



Carter Sanford Component Plant
298 Harvey Faulk Rd
Sanford, NC 27332

Phone #:919-775-1450

Builder: DR Horton Inc

Model: Wilmington C VMB



THE PLACEMENT PLAN NOTES:

1. The Placement Plan is a diagram for truss installation. It is not an engineered drawing and has not been reviewed by an engineer. The Owner/Building Designer is responsible for obtaining an engineer's review if one is required by the local jurisdiction.
2. The responsibilities of the Owner, Contractor, Building Designer, Component Designer and Component Manufacturer shall be as set forth in ANSI/TPI 1. Capitalized terms shall be as defined in ANSI/TP 1 unless otherwise indicated.
3. Each Component is designed as an individual component utilizing information provided by others. The Owner/Building Designer is responsible for reviewing all Component Submittal Packages and individual Component Design Drawings for compliance with the Construction Documents and compatibility with the overall Building design.
4. Contractor will not proceed with component installation until the Owner/Building Designer has reviewed the Component Submittal Package. Questions on the suitability of any Component will be resolved by the Building Designer.
5. The Building Designer and Contractor are responsible for all temporary and permanent bracing.
6. The Placement Plan assumes the building is dimensionally correct, structurally sound, and in a suitable condition to support each Component during installation and thereafter, including but not limited to installation of all bearing points. Proper design and construction of all structural components, including foundations, headers, beams, walls and columns are the responsibility of the Owner, Building Designer and Contractor.
7. Do not cut, drill, or modify any Component without first consulting the Component Manufacturer or Building Designer. Damaged Components shall not be installed unless directed by the Building Designer or approved by the Component Manufacturer.
8. Components must be handled and installed following all applicable safety standards and best practices, including but not limited to BCSI, OSHA, TPI and local codes. Failure to properly handle, brace or otherwise install Component can result in serious injury or death.
9. All uplift connectors shown within these documents are recommendations only. Per ANSI/TPI 1, all uplift connectors are the responsibility of the building designer and or contractor.

Approved By: _____

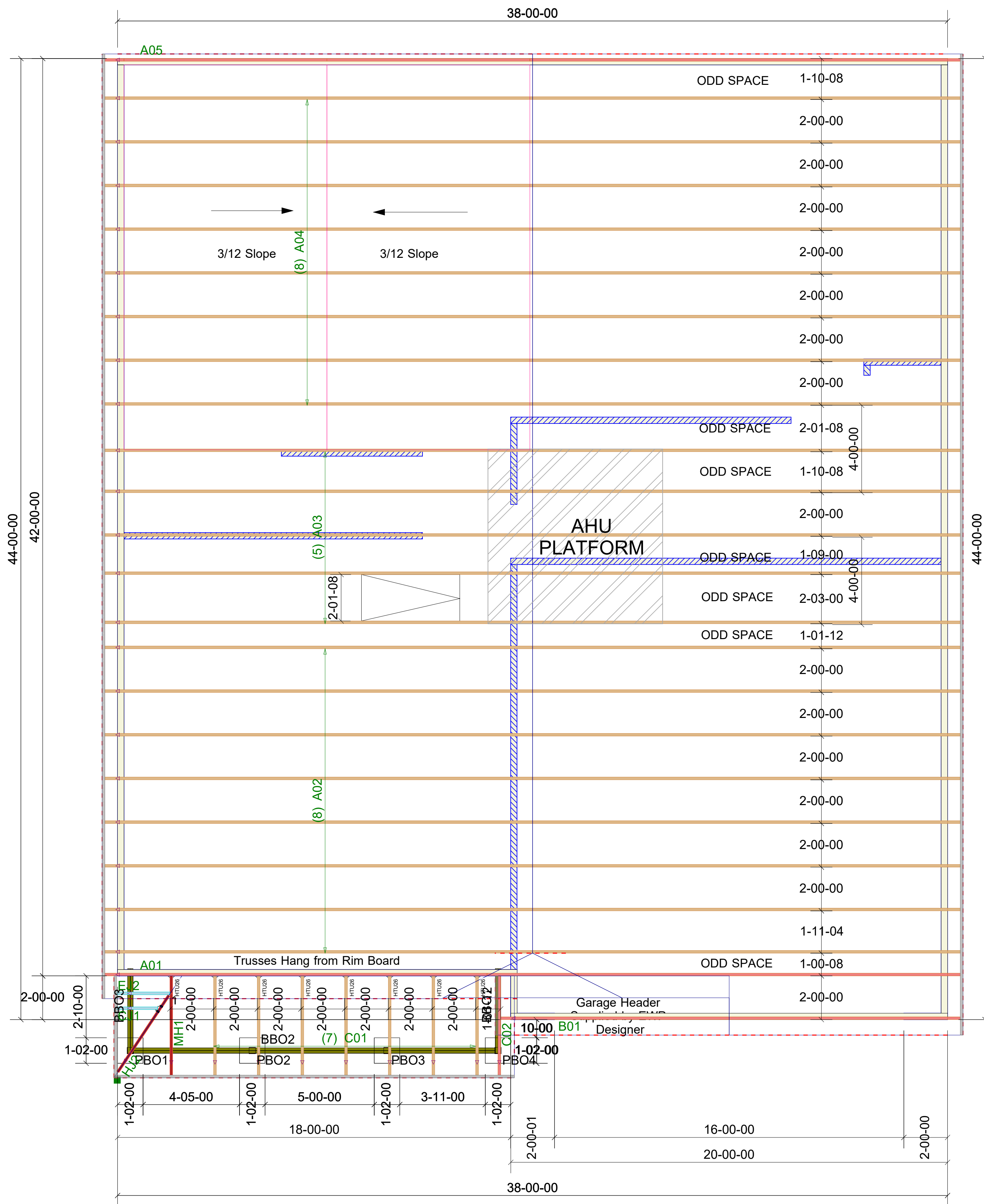
Date: _____

General Notes:

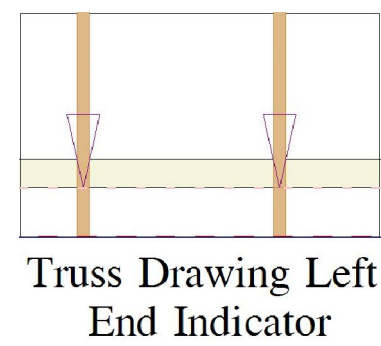
** CUTTING OR DRILLING OF COMPONENTS SHOULD NOT BE DONE WITHOUT CONTACTING COMPONENT SUPPLIER FIRST. CUSTOMER TAKES FULL RESPONSIBILITY FOR COMPONENTS IF CUT BEFORE AUTHORIZATION.

** ALL BEARING POINTS MUST BE INSTALLED PRIOR TO SETTING ANY COMPONENTS.

** DAMAGED COMPONENTS SHOULD NOT BE INSTALLED UNLESS TOLD TO BY THE COMPONENT PLANT. ** TRUSS TO TRUSS CONNECTIONS ARE TOE-NAILED, UNLESS NOTED OTHERWISE. ** FRAMER MUST REFER TO PLANS WHILE SETTING COMPONENTS. ** GIRDERS MUST BE FULLY CONNECTED TOGETHER PRIOR TO ADDING ANY LOADS. ** DIMENSIONS ARE READ AS: FOOT-INCH-SIXTEENTH.



Truss Connector Total List		
Manuf	Product	Qty
Simpson	HTU26	8
Simpson	One H2.5A 70	



Revisions	
00/00/00	Name
00/00/00	Name
00/00/00	Name
00/00/00	Name
00/00/00	Name

THIS IS A TRUSS PLACEMENT DIAGRAM ONLY. These trusses are designed as individual components to be incorporated into the building design at the specification of the building designer. See individual design sheets for each truss design identified on the placement drawing. The building designer is responsible for temporary and permanent bracing of the roof and floor systems and for the overall structure. The design of the truss support structure including headers, beams, walls, and columns is the responsibility of the building designer. For general guidance regarding the bracing, consult "Bracing of Wood Trusses" available from the Truss Plate Institute, 583 D'Onofrio Drive, Madison, WI 53179



DR Horton Inc
 Wilmington-C-CRW+9FL+FLEX+
 VMB-All Levels-Roof-Mason
 Ridge-31
PLACEMENT PLAN

Scale:	NTS
Date:	10/14/2024
Designer:	Nate Donaldson
Project Number:	24100078-A
Sheet Number:	1/1

** ALL UPLIFT CONNECTORS SHOWN WITHIN THESE DOCUMENTS ARE RECOMMENDATIONS ONLY. PER ANSII/TPI 1, ALL UPLIFT CONNECTORS ARE THE RESPONSIBILITY OF THE BLDG DESIGNER AND/OR CONTRACTOR.

** TRIANGULAR SYMBOL NEAR END OF TRUSS INDICATES LEFT END OF TRUSS AS SHOWN ON INDIVIDUAL TRUSS DRAWINGS.

** PLUMBING DROPS NOTED ARE IN THE APPROXIMATE LOCATIONS PER PLAN. BUILDER TO VERIFY LOCATIONS BEFORE SETTING TRUSSES.

** REFER TO FINAL TRUSS ENGINEERING SHEETS FOR PLY TO PLY CONNECTIONS.

RE: 24100078
 31 Mason Ridge-Roof-Wilmington C FLX VMB GRH

Trenco
 818 Soundside Rd
 Edenton, NC 27932

Site Information:

Customer: DR Horton Inc Project Name: 24100078
 Lot/Block: 31 Model:
 Address: Subdivision: Mason Ridge
 City: State: NC

General Truss Engineering Criteria & Design Loads (Individual Truss Design Drawings Show Special Loading Conditions):

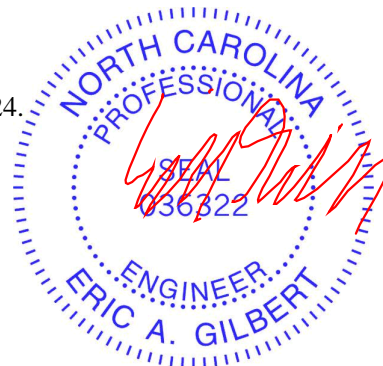
Design Code: IRC2018/TPI2014 Design Program: MiTek 20/20 8.7
 Wind Code: ASCE 7-16 Wind Speed: 130 mph
 Roof Load: 40.0 psf Floor Load: N/A psf

This package includes 12 individual, dated Truss Design Drawings and 0 Additional Drawings.

No.	Seal#	Truss Name	Date
1	I64594512	A01	4/2/2024
2	I64594513	A02	4/2/2024
3	I64594514	A03	4/2/2024
4	I64594515	A04	4/2/2024
5	I64594516	A05	4/2/2024
6	I64594517	B01	4/2/2024
7	I64594518	C01	4/2/2024
8	I64594519	C02	4/2/2024
9	I64594520	CJ1	4/2/2024
10	I64594521	EJ2	4/2/2024
11	I64594522	HJ2	4/2/2024
12	I64594523	MH1	4/2/2024

The truss drawing(s) referenced above have been prepared by Truss Engineering Co. under my direct supervision based on the parameters provided by Carter Components (Sanford, NC)).
 Truss Design Engineer's Name: Gilbert, Eric
 My license renewal date for the state of North Carolina is December 31, 2024.
 North Carolina COA: C-0844

IMPORTANT NOTE: The seal on these truss component designs is a certification that the engineer named is licensed in the jurisdiction(s) identified and that the designs comply with ANSI/TPI 1. These designs are based upon parameters shown (e.g., loads, supports, dimensions, shapes and design codes), which were given to TRENCO. Any project specific information included is for TRENCO customers file reference purpose only, and was not taken into account in the preparation of these designs. TRENCO has not independently verified the applicability of the design parameters or the designs for any particular building. Before use, the building designer should verify applicability of design parameters and properly incorporate these designs into the overall building design per ANSI/TPI 1, Chapter 2.



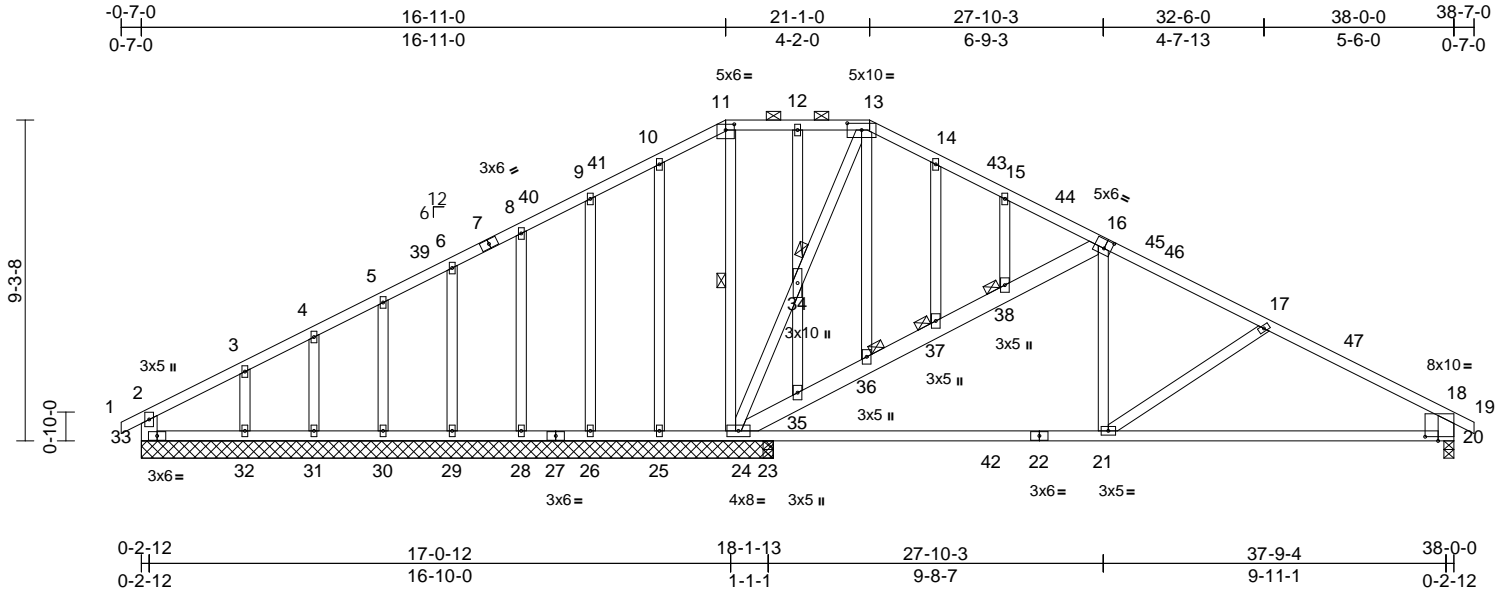
April 02, 2024

Job 24100078	Truss A01	Truss Type Hip Structural Gable	Qty 1	Ply 1	31 Mason Ridge-Roof-Wilmington C FLX VMB GRH 164594512 Job Reference (optional)
-----------------	--------------	------------------------------------	----------	----------	---

Carter Components (Sanford, NC), Sanford, NC - 27332,

Run: 8.73 S Mar 21 2024 Print: 8.730 S Mar 21 2024 MiTek Industries, Inc. Mon Apr 01 08:14:35
ID:FdJkUXBMoUWEJm5osa_ZPVzWpCd-RfC?PsB70Hq3NSgPqnL8w3uITXbGKWRcDoi7J4zJC?f

Page: 1

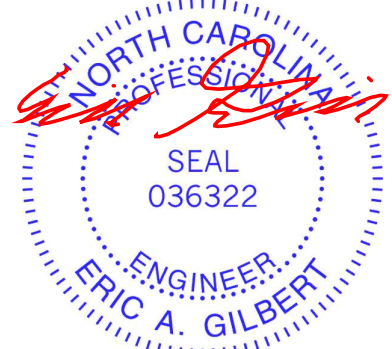


Scale = 1:66.7
Plate Offsets (X, Y): [11:0-3-0,0-2-0], [13:0-5-0,0-2-6], [16:0-2-8,0-3-0], [18:0-4-8,0-1-7]

Loading	(psf)	Spacing	1-11-4	CSI	DEFL	in (loc)	l/defl	L/d	PLATES	GRIP		
TCLL (roof)	20.0	Plate Grip DOL	1.15	TC	0.73	Vert(LL)	-0.20	20-21	>999	240	MT20	244/190
Snow (Pf)	20.0	Lumber DOL	1.15	BC	0.88	Vert(CT)	-0.39	20-21	>596	180		
TCDL	10.0	Rep Stress Incr	YES	WB	0.28	Horz(CT)	0.01	20	n/a	n/a		
BCLL	0.0*	Code	IRC2018/TPI2014	Matrix-MSH								
BCDL	10.0											
											Weight: 276 lb	FT = 20%

LUMBER	TOP CHORD	1-2=0/21, 2-3=-139/518, 3-4=-73/456, 4-5=-41/477, 5-6=-4/480, 6-8=0/486, 8-9=0/485, 9-10=0/489, 10-11=0/499, 11-12=0/450, 12-13=0/450, 13-14=0/368, 14-15=0/347, 15-17=-735/321, 17-18=-937/191, 18-19=0/21, 2-33=-33/207, 18-20=-629/172	3) Truss designed for wind loads in the plane of the truss only. For studs exposed to wind (normal to the face), see Standard Industry Gable End Details as applicable, or consult qualified building designer as per ANSI/TPI 1.
TOP CHORD	2x4 SP No.2		
BOT CHORD	2x4 SP No.2		
WEBS	2x4 SP No.3 *Except* 16-24,33-2,20-18:2x6 SP No.2		
OTHERS	2x4 SP No.3		
BRACING	TOP CHORD	Structural wood sheathing directly applied or 4-9-10 oc purlins, except end verticals, and 2-0-0 oc purlins (10-0-0 max.): 11-13.	
BOT CHORD		Rigid ceiling directly applied or 6-0-0 oc bracing, Except: 10-0-0 oc bracing: 23-24,21-23,20-21.	
WEBS		1 Row at midpt 11-24	
JOINTS		1 Brace at Jt(5): 34, 36, 37, 38	
REACTIONS	(size)	20=0-3-8, 23=0-3-8, 24=18-3-9, 25=18-3-9, 26=18-3-9, 28=18-3-9, 29=18-3-9, 30=18-3-9, 31=18-3-9, 32=18-3-9, 33=18-3-9	
Max Horiz		33=119 (LC 13)	
Max Uplift		20=-116 (LC 15), 24=-247 (LC 15), 25=-28 (LC 14), 26=-48 (LC 14), 28=-41 (LC 14), 29=-41 (LC 14), 30=-48 (LC 14), 31=-17 (LC 14), 32=-114 (LC 14), 33=-228 (LC 43)	
Max Grav		20=761 (LC 45), 23=639 (LC 23), 24=1054 (LC 22), 25=248 (LC 47), 26=201 (LC 39), 28=215 (LC 39), 29=192 (LC 39), 30=184 (LC 45), 31=115 (LC 54), 32=392 (LC 45), 33=66 (LC 14)	
FORCES	(lb) - Maximum Compression/Maximum Tension		
			11) This truss has been designed for a 10.0 psf bottom chord live load nonconcurrent with any other live loads.

- NOTES**
- 1) Unbalanced roof live loads have been considered for this design.
 - 2) Wind: ASCE 7-16; Vult=130mph (3-second gust) Vasd=103mph; TCDL=6.0psf; BCDL=6.0psf; h=25ft; Cat. II; Exp B; Enclosed; MWFRS (envelope) exterior zone and C-C Exterior(2E) -0-7-0 to 3-0-0, Interior (1) 3-0-0 to 11-6-10, Exterior(2R) 11-6-10 to 26-5-6, Interior (1) 26-5-6 to 34-9-8, Exterior(2E) 34-9-8 to 38-7-0 zone; cantilever left and right exposed; end vertical left and right exposed; C-C for members and forces & MWFRS for reactions shown; Lumber DOL=1.60 plate grip DOL=1.60



April 2, 2024

Job	Truss	Truss Type	Qty	Ply	31 Mason Ridge-Roof-Wilmington C FLX VMB GRH I64594512
24100078	A01	Hip Structural Gable	1	1	Job Reference (optional)

Carter Components (Sanford, NC), Sanford, NC - 27332,

Run: 8.73 S Mar 21 2024 Print: 8.730 S Mar 21 2024 MiTek Industries, Inc. Mon Apr 01 08:14:35
ID:FdJkUXBMoUWEJm5osa_ZPVzwPcd-RC?PsB70Hq3NSgPqnL8w3uITXbGKWrcDoi7J4zJC?f

Page: 2

- 12) * This truss has been designed for a live load of 20.0psf on the bottom chord in all areas where a rectangle 3-06-00 tall by 2-00-00 wide will fit between the bottom chord and any other members, with BCDL = 10.0psf.
- 13) Bearing at joint(s) 33, 20 considers parallel to grain value using ANSI/TPI 1 angle to grain formula. Building designer should verify capacity of bearing surface.
- 14) One RT8A MiTek connectors recommended to connect truss to bearing walls due to UPLIFT at jt(s) 33. This connection is for uplift only and does not consider lateral forces.
- 15) N/A
- 16) This truss is designed in accordance with the 2018 International Residential Code sections R502.11.1 and R802.10.2 and referenced standard ANSI/TPI 1.
- 17) Graphical purlin representation does not depict the size or the orientation of the purlin along the top and/or bottom chord.

LOAD CASE(S) Standard

WARNING - Verify design parameters and READ NOTES ON THIS AND INCLUDED MITEK REFERENCE PAGE MII-7473 rev. 1/2/2023 BEFORE USE.

Design valid for use only with MiTek® connectors. This design is based only upon parameters shown, and is for an individual building component, not a truss system. Before use, the building designer must verify the applicability of design parameters and properly incorporate this design into the overall building design. Bracing indicated is to prevent buckling of individual truss web and/or chord members only. Additional temporary and permanent bracing is always required for stability and to prevent collapse with possible personal injury and property damage. For general guidance regarding the fabrication, storage, delivery, erection and bracing of trusses and truss systems, see **ANSI/TPI1 Quality Criteria and DSB-22** available from Truss Plate Institute (www.tpinst.org) and **BCSI Building Component Safety Information** available from the Structural Building Component Association (www.sbcacomponents.com)



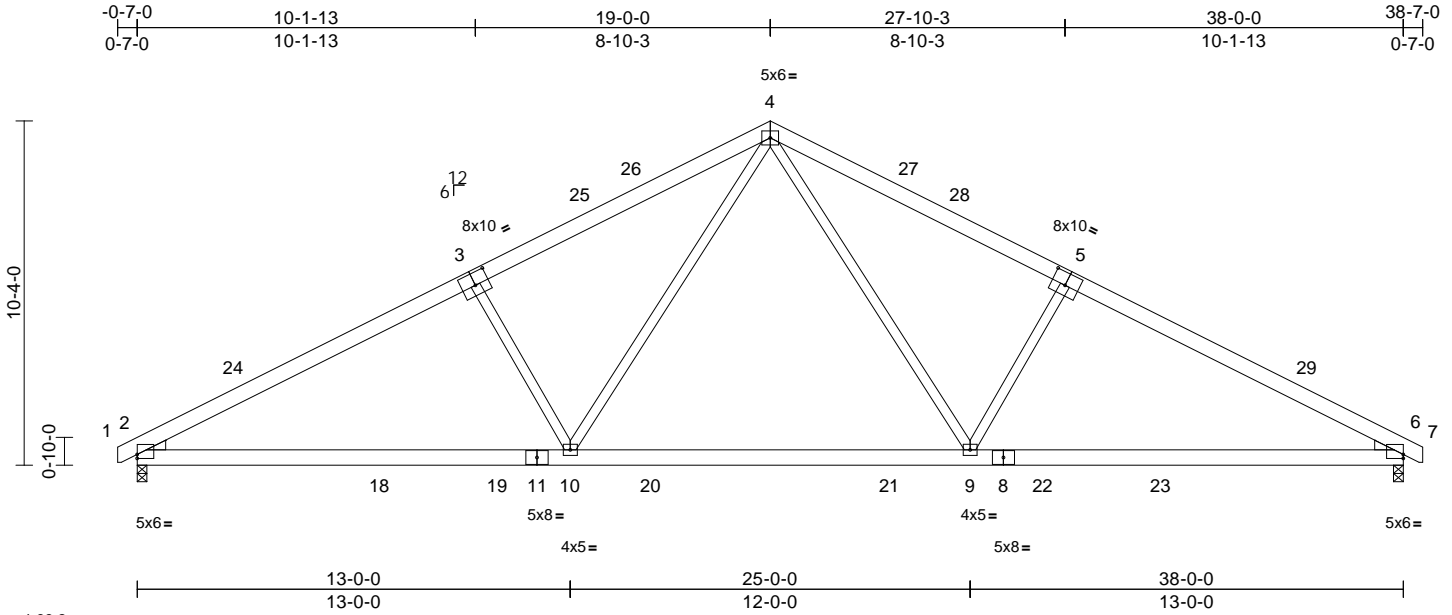
818 Soundside Road
Edenton, NC 27932

Job 24100078	Truss A02	Truss Type Common	Qty 8	Ply 1	31 Mason Ridge-Roof-Wilmington C FLX VMB GRH I64594513 Job Reference (optional)
-----------------	--------------	----------------------	----------	----------	---

Carter Components (Sanford, NC), Sanford, NC - 27332,

Run: 8.73 S Mar 21 2024 Print: 8.730 S Mar 21 2024 MiTek Industries, Inc. Mon Apr 01 08:14:36
ID:unkrNd92XzE70_t12w1E4?zwPj6-RfC?PsB70Hq3NSgPqnL8w3uITXbGKWRcDoi7J4zJC?f

Page: 1



Scale = 1:69.2
Plate Offsets (X, Y): [2:Edge,0-1-7], [3:0-5-0,0-4-8], [5:0-5-0,0-4-8], [6:Edge,0-1-7]

Loading	(psf)	Spacing	1-11-4	CSI	DEFL	in	(loc)	l/defl	L/d	PLATES	GRIP	
TCLL (roof)	20.0	Plate Grip DOL	1.15	TC	0.62	Vert(LL)	-0.22	9-10	>999	240	MT20	244/190
Snow (Pf)	20.0	Lumber DOL	1.15	BC	0.91	Vert(CT)	-0.36	9-10	>999	180		
TCDL	10.0	Rep Stress Incr	YES	WB	0.41	Horz(CT)	0.07	6	n/a	n/a		
BCLL	0.0*	Code	IRC2018/TPI2014	Matrix-MSH								
BCDL	10.0											
											Weight: 244 lb	FT = 20%

LUMBER
TOP CHORD 2x6 SP No.2
BOT CHORD 2x6 SP No.2
WEBS 2x4 SP No.2 *Except* 3-10,5-9:2x4 SP No.3
WEDGE Left: 2x4 SP No.3
Right: 2x4 SP No.3

BRACING
TOP CHORD Structural wood sheathing directly applied or 3-10-9 oc purlins.
BOT CHORD Rigid ceiling directly applied or 2-2-0 oc bracing.

REACTIONS (size) 2=0-3-8, 6=0-3-8
Max Horiz 2=150 (LC 14), 6=-151 (LC 15)
Max Uplift 2=-151 (LC 14), 6=-1694 (LC 3)
Max Grav 2=1694 (LC 3), 6=1694 (LC 3)

FORCES (lb) - Maximum Compression/Maximum Tension
TOP CHORD 1-2=0/14, 2-4=-2773/348, 4-6=-2773/348, 6-7=0/14
BOT CHORD 2-10=-306/2389, 9-10=-40/1635, 6-9=-170/2389
WEBS 4-10=-148/1100, 4-9=-148/1100, 3-10=-583/302, 5-9=-583/302

NOTES
1) Unbalanced roof live loads have been considered for this design.
2) Wind: ASCE 7-16; Vult=130mph (3-second gust) Vasd=103mph; TCDL=6.0psf; BCDL=6.0psf; h=25ft; Cat. II; Exp B; Enclosed; MWFRS (envelope) exterior zone and C-C Exterior(2E) -0-6-6 to 3-3-2, Interior (1) 3-3-2 to 15-2-8, Exterior(2R) 15-2-8 to 22-9-8, Interior (1) 22-9-8 to 34-8-14, Exterior(2E) 34-8-14 to 38-6-6 zone; cantilever left and right exposed ; end vertical left and right exposed;C-C for members and forces & MWFRS for reactions shown; Lumber DOL=1.60 plate grip DOL=1.60

- TCLL: ASCE 7-16; Pr=20.0 psf (roof LL: Lum DOL=1.15 Plate DOL=1.15); Pf=20.0 psf (Lum DOL=1.15 Plate DOL=1.15); Is=1.0; Rough Cat B; Fully Exp.; Ce=0.9; Cs=1.00; Ct=1.10
- Unbalanced snow loads have been considered for this design.
- This truss has been designed for greater of min roof live load of 12.0 psf or 1.00 times flat roof load of 20.0 psf on overhangs non-concurrent with other live loads.
- This truss has been designed for a 10.0 psf bottom chord live load nonconcurrent with any other live loads.
- * This truss has been designed for a live load of 20.0psf on the bottom chord in all areas where a rectangle 3-06-00 tall by 2-00-00 wide will fit between the bottom chord and any other members, with BCDL = 10.0psf.
- One H2.5A Simpson Strong-Tie connectors recommended to connect truss to bearing walls due to UPLIFT at jt(s) 2 and 6. This connection is for uplift only and does not consider lateral forces.
- This truss is designed in accordance with the 2018 International Residential Code sections R502.11.1 and R802.10.2 and referenced standard ANSI/TPI 1.

LOAD CASE(S) Standard



April 2, 2024

WARNING - Verify design parameters and READ NOTES ON THIS AND INCLUDED MITEK REFERENCE PAGE MII-7473 rev. 1/2/2023 BEFORE USE.

Design valid for use only with MiTek® connectors. This design is based only upon parameters shown, and is for an individual building component, not a truss system. Before use, the building designer must verify the applicability of design parameters and properly incorporate this design into the overall building design. Bracing indicated is to prevent buckling of individual truss web and/or chord members only. Additional temporary and permanent bracing is always required for stability and to prevent collapse with possible personal injury and property damage. For general guidance regarding the fabrication, storage, delivery, erection and bracing of trusses and truss systems, see **ANSI/TPI Quality Criteria and DSB-22** available from Truss Plate Institute (www.tpinst.org) and **BCSI Building Component Safety Information** available from the Structural Building Component Association (www.sbccomponents.com)



818 Soundside Road
Edenton, NC 27932

Job 24100078	Truss A03	Truss Type Common	Qty 5	Ply 1	31 Mason Ridge-Roof-Wilmington C FLX VMB GRH I64594514 Job Reference (optional)
-----------------	--------------	----------------------	----------	----------	---

Carter Components (Sanford, NC), Sanford, NC - 27332,

Run: 8.73 S Mar 21 2024 Print: 8.730 S Mar 21 2024 MiTek Industries, Inc. Mon Apr 01 08:14:37

Page: 1

ID: _sJSfbW6I9jePBhjvT73dHzwPDg-RfC?PsB70Hq3NSgPqnL8w3ulTXbGKWRcDoi7J4zJC?f

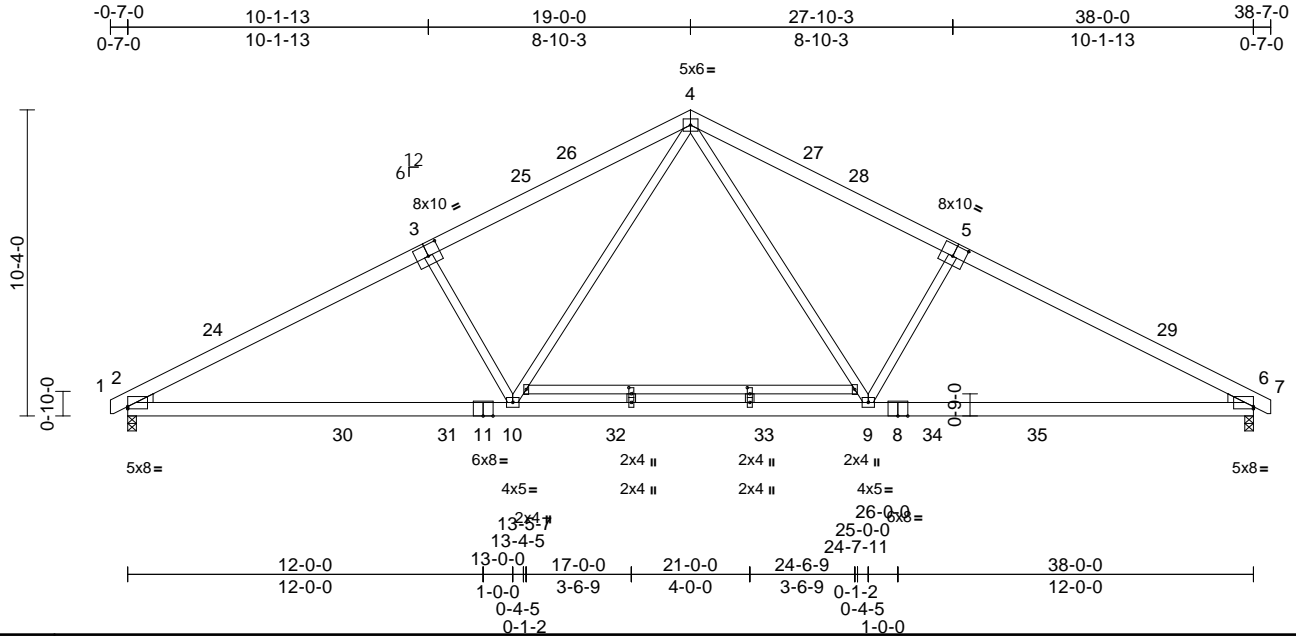


Plate Offsets (X, Y): [2:Edge,0-0-15], [3:0-5-0,0-4-8], [5:0-5-0,0-4-8], [6:Edge,0-0-15], [14:0-2-8,0-1-0], [16:0-2-8,0-1-0]

Loading	(psf)	Spacing	2-0-0	CSI	DEFL	in	(loc)	l/defl	L/d	PLATES	GRIP	
TCLL (roof)	20.0	Plate Grip DOL	1.15	TC	0.72	Vert(LL)	-0.21	9-23	>999	240	MT20	244/190
Snow (Pf)	20.0	Lumber DOL	1.15	BC	0.83	Vert(CT)	-0.39	9-10	>999	180		
TCDL	10.0	Rep Stress Incr	YES	WB	0.42	Horz(CT)	0.07	6	n/a	n/a		
BCLL	0.0*	Code	IRC2018/TPI2014	Matrix-MSH								
BCDL	10.0											
											Weight: 261 lb	FT = 20%

LUMBER
TOP CHORD 2x6 SP No.2
BOT CHORD 2x6 SP No.2 *Except* 11-8:2x6 SP 2400F
2.0E, 12-13:2x4 SP No.2
WEBS 2x4 SP No.3 *Except* 10-4,9-4:2x4 SP No.2
WEDGE Left: 2x4 SP No.3
Right: 2x4 SP No.3

BRACING
TOP CHORD Structural wood sheathing directly applied or
3-3-12 oc purlins.
BOT CHORD Rigid ceiling directly applied or 10-0-0 oc
bracing.

REACTIONS (size) 2=0-3-8, 6=0-3-8
Max Horiz 2=155 (LC 14)
Max Uplift 2=-56 (LC 14), 6=-56 (LC 15)
Max Grav 2=1795 (LC 3), 6=1795 (LC 3)

FORCES (lb) - Maximum Compression/Maximum
Tension
TOP CHORD 1-2=0/14, 2-4=-2970/130, 4-6=-2970/130,
6-7=0/14
BOT CHORD 2-10=-233/2559, 9-10=0/1757, 6-9=-93/2559
WEBS 4-10=-37/1189, 4-9=-37/1189, 3-10=-588/325,
5-9=-588/326

3) TCLL: ASCE 7-16; Pr=20.0 psf (roof LL: Lum DOL=1.15
Plate DOL=1.15); Pf=20.0 psf (Lum DOL=1.15 Plate
DOL=1.15); Is=1.0; Rough Cat B; Fully Exp.; Ce=0.9;
Cs=1.00; Ct=1.10

4) Unbalanced snow loads have been considered for this
design.

5) This truss has been designed for greater of min roof live
load of 12.0 psf or 1.00 times flat roof load of 20.0 psf on
overhangs non-concurrent with other live loads.

6) 200.0lb AC unit load placed on the bottom chord, 19-0-0
from left end, supported at two points, 5-0-0 apart.

7) This truss has been designed for a 10.0 psf bottom
chord live load nonconcurrent with any other live loads.

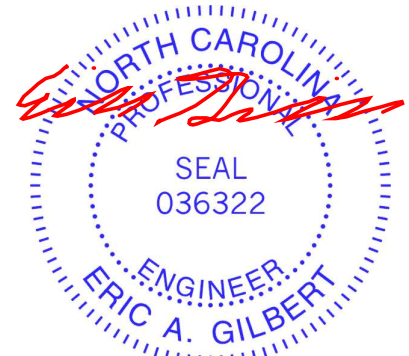
8) * This truss has been designed for a live load of 20.0psf
on the bottom chord in all areas where a rectangle
3-06-00 tall by 2-00-00 wide will fit between the bottom
chord and any other members, with BCDL = 10.0psf.

9) One H2.5A Simpson Strong-Tie connectors
recommended to connect truss to bearing walls due to
UPLIFT at jt(s) 2 and 6. This connection is for uplift only
and does not consider lateral forces.

10) This truss is designed in accordance with the 2018
International Residential Code sections R502.11.1 and
R802.10.2 and referenced standard ANSI/TPI 1.

LOAD CASE(S) Standard

NOTES
1) Unbalanced roof live loads have been considered for
this design.
2) Wind: ASCE 7-16; Vult=130mph (3-second gust)
Vasd=103mph; TCDL=6.0psf; BCDL=6.0psf; h=25ft; Cat.
II; Exp B; Enclosed; MWFRS (envelope) exterior zone
and C-C Exterior(2E) -0-6-6 to 3-3-2, Interior (1) 3-3-2 to
15-2-8, Exterior(2R) 15-2-8 to 22-9-8, Interior (1) 22-9-8
to 34-8-14, Exterior(2E) 34-8-14 to 38-6-6 zone;
cantilever left and right exposed ; end vertical left and
right exposed;C-C for members and forces & MWFRS
for reactions shown; Lumber DOL=1.60 plate grip
DOL=1.60



April 2, 2024

WARNING - Verify design parameters and READ NOTES ON THIS AND INCLUDED MITEK REFERENCE PAGE MII-7473 rev. 1/2/2023 BEFORE USE.

Design valid for use only with MiTek® connectors. This design is based only upon parameters shown, and is for an individual building component, not a truss system. Before use, the building designer must verify the applicability of design parameters and properly incorporate this design into the overall building design. Bracing indicated is to prevent buckling of individual truss web and/or chord members only. Additional temporary and permanent bracing is always required for stability and to prevent collapse with possible personal injury and property damage. For general guidance regarding the fabrication, storage, delivery, erection and bracing of trusses and truss systems, see **ANSI/TPI1 Quality Criteria and DSB-22** available from Truss Plate Institute (www.tpinst.org) and **BCSI Building Component Safety Information** available from the Structural Building Component Association (www.sbcacomponents.com)



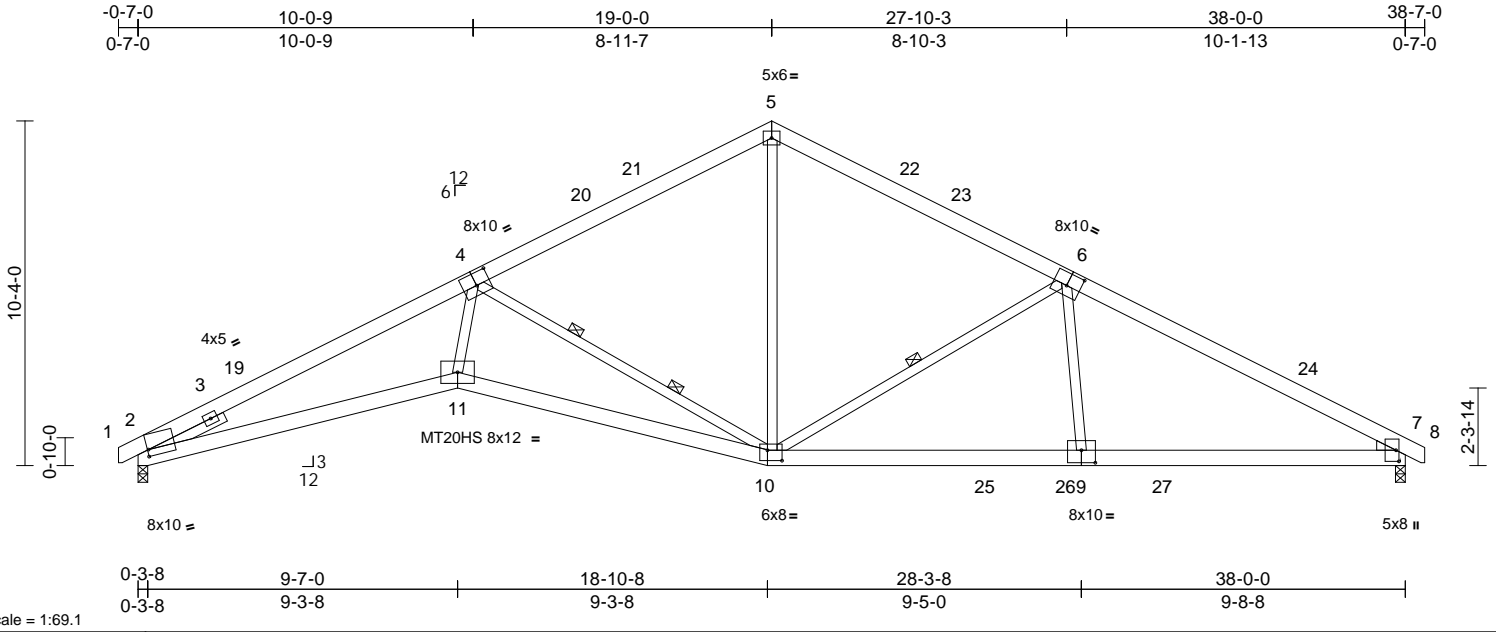
818 Soundside Road
Edenton, NC 27932

Job 24100078	Truss A04	Truss Type Roof Special	Qty 8	Ply 1	31 Mason Ridge-Roof-Wilmington C FLX VMB GRH I64594515 Job Reference (optional)
-----------------	--------------	----------------------------	----------	----------	---

Carter Components (Sanford, NC), Sanford, NC - 27332,

Run: 8.73 S Mar 21 2024 Print: 8.730 S Mar 21 2024 MiTek Industries, Inc. Mon Apr 01 08:14:37
ID:t9aHziw3YeNbnJ4R4VCJyUzwPki-RfC?PsB70Hq3NSgPqnl8w3uTXbGKwRCDoi7J4zJC?f

Page: 1



Scale = 1:69.1

Plate Offsets (X, Y): [2:0-0-6,0-2-8], [4:0-5-0,0-4-8], [6:0-5-0,0-4-8], [7:0-4-0,0-1-1], [9:0-5-0,0-4-8], [10:0-5-4,0-3-12]

Loading	(psf)	Spacing	2-0-0	CSI	DEFL	in	(loc)	l/defl	L/d	PLATES	GRIP	
TCLL (roof)	20.0	Plate Grip DOL	1.15	TC	0.83	Vert(LL)	-0.33	10-11	>999	240	MT20	244/190
Snow (Pf)	20.0	Lumber DOL	1.15	BC	1.00	Vert(CT)	-0.64	10-11	>714	180	MT20HS	187/143
TCDL	10.0	Rep Stress Incr	YES	WB	0.95	Horz(CT)	0.27	7	n/a	n/a		
BCLL	0.0*	Code	IRC2018/TPI2014	Matrix-MSH								
BCDL	10.0											
											Weight: 254 lb	FT = 20%

LUMBER
TOP CHORD 2x6 SP No.2
BOT CHORD 2x6 SP No.2 *Except* 2-11:2x6 SP 2400F 2.0E
WEBS 2x4 SP No.3 *Except* 4-10:2x4 SP No.2
WEDGE Right: 2x4 SP No.3
SLIDER Left 2x4 SP No.3 -- 2-6-0

BRACING
TOP CHORD Structural wood sheathing directly applied or 2-2-0 oc purlins.
BOT CHORD Rigid ceiling directly applied or 10-0-0 oc bracing, Except: 1-4-12 oc bracing: 10-11.
WEBS 1 Row at midpt 6-10
WEBS 2 Rows at 1/3 pts 4-10

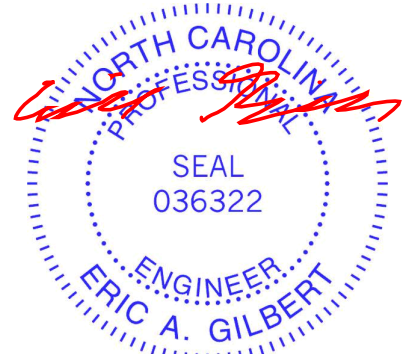
REACTIONS (size) 2=0-3-8, 7=0-3-8
Max Horiz 2=155 (LC 18)
Max Uplift 2=-157 (LC 14), 7=-156 (LC 15)
Max Grav 2=1662 (LC 3), 7=1689 (LC 3)

FORCES (lb) - Maximum Compression/Maximum Tension
TOP CHORD 1-2=0/18, 2-5=-4706/473, 5-7=-2808/312, 7-8=0/14
BOT CHORD 2-11=-476/4319, 10-11=-456/3918, 7-10=-149/2421
WEBS 5-10=-52/1171, 4-11=-126/2218, 4-10=-2555/467, 6-9=0/469, 6-10=-966/269

NOTES
1) Unbalanced roof live loads have been considered for this design.

- Wind: ASCE 7-16; Vult=130mph (3-second gust) Vasd=103mph; TCDL=6.0psf; BCDL=6.0psf; h=25ft; Cat. II; Exp B; Enclosed; MWFRS (envelope) exterior zone and C-C Exterior(2E) -0-6-6 to 3-3-2, Interior (1) 3-3-2 to 15-2-8, Exterior(2R) 15-2-8 to 22-9-8, Interior (1) 22-9-8 to 34-8-14, Exterior(2E) 34-8-14 to 38-6-6 zone; cantilever left and right exposed; end vertical left and right exposed; C-C for members and forces & MWFRS for reactions shown; Lumber DOL=1.60 plate grip DOL=1.60
- TCLL: ASCE 7-16; Pr=20.0 psf (roof LL: Lum DOL=1.15 Plate DOL=1.15); Pf=20.0 psf (Lum DOL=1.15 Plate DOL=1.15); Is=1.0; Rough Cat B; Fully Exp.; Ce=0.9; Cs=1.00; Ct=1.10
- Unbalanced snow loads have been considered for this design.
- This truss has been designed for greater of min roof live load of 12.0 psf or 1.00 times flat roof load of 20.0 psf on overhangs non-concurrent with other live loads.
- All plates are MT20 plates unless otherwise indicated.
- This truss has been designed for a 10.0 psf bottom chord live load nonconcurrent with any other live loads.
- * This truss has been designed for a live load of 20.0psf on the bottom chord in all areas where a rectangle 3-06-00 tall by 2-00-00 wide will fit between the bottom chord and any other members, with BCDL = 10.0psf.
- Bearing at joint(s) 2 considers parallel to grain value using ANSI/TPI 1 angle to grain formula. Building designer should verify capacity of bearing surface.
- One H2.5A Simpson Strong-Tie connectors recommended to connect truss to bearing walls due to UPLIFT at jt(s) 2 and 7. This connection is for uplift only and does not consider lateral forces.
- This truss is designed in accordance with the 2018 International Residential Code sections R502.11.1 and R802.10.2 and referenced standard ANSI/TPI 1.

LOAD CASE(S) Standard



April 2, 2024

WARNING - Verify design parameters and READ NOTES ON THIS AND INCLUDED MITEK REFERENCE PAGE MII-7473 rev. 1/2/2023 BEFORE USE.

Design valid for use only with MiTek® connectors. This design is based only upon parameters shown, and is for an individual building component, not a truss system. Before use, the building designer must verify the applicability of design parameters and properly incorporate this design into the overall building design. Bracing indicated is to prevent buckling of individual truss web and/or chord members only. Additional temporary and permanent bracing is always required for stability and to prevent collapse with possible personal injury and property damage. For general guidance regarding the fabrication, storage, delivery, erection and bracing of trusses and truss systems, see **ANSI/TPI Quality Criteria and DSB-22** available from Truss Plate Institute (www.tpinst.org) and **BCSI Building Component Safety Information** available from the Structural Building Component Association (www.sbcacomponents.com)



818 Soundside Road
Edenton, NC 27932

Job 24100078	Truss A05	Truss Type Roof Special Structural Gable	Qty 1	Ply 1	31 Mason Ridge-Roof-Wilmington C FLX VMB GRH I64594516 Job Reference (optional)
-----------------	--------------	---	----------	----------	---

Carter Components (Sanford, NC), Sanford, NC - 27332,

Run: 8.73 S Mar 21 2024 Print: 8.730 S Mar 21 2024 MiTek Industries, Inc. Mon Apr 01 08:14:37
ID:djFpYmnieq_pou14PULBkzWpNv-RfC?PsB70Hq3NSgPqnl8w3uITxBGKWrCdoi7J4zJC?f

Page: 1

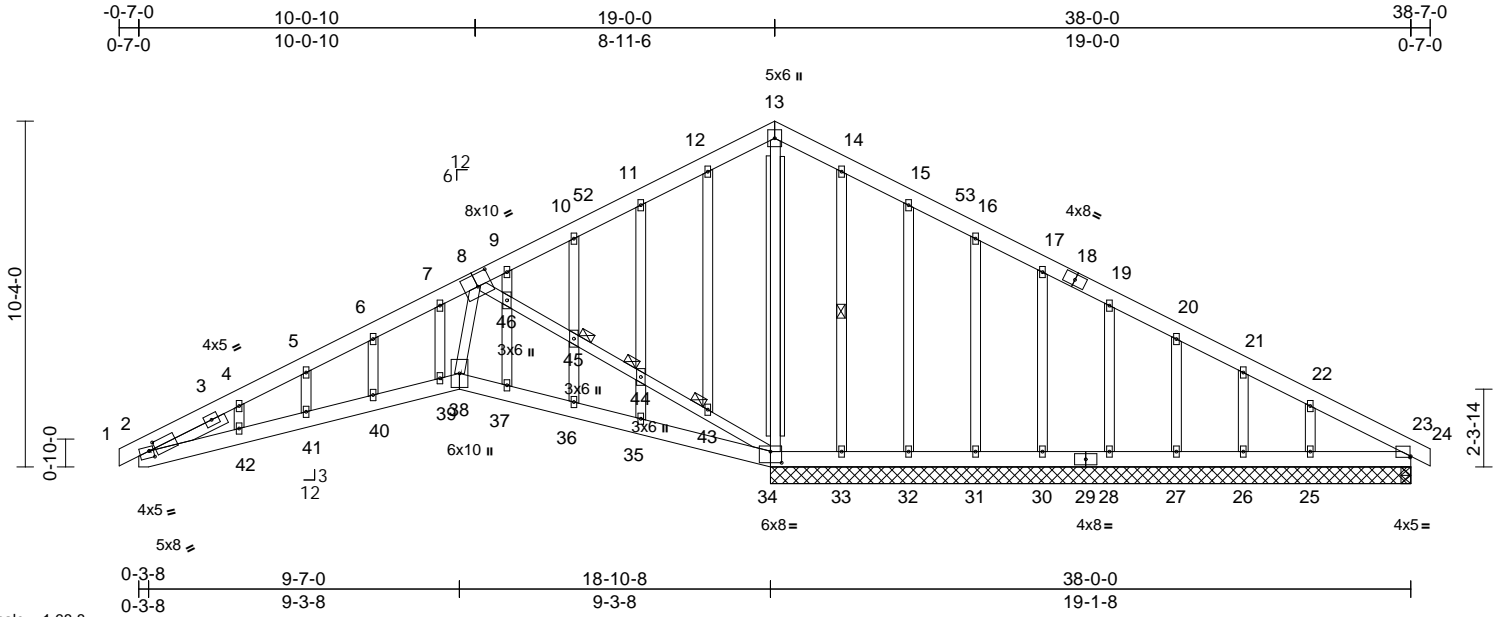


Plate Offsets (X, Y): [2:0-2-4,0-2-4], [2:0-1-8,0-2-7], [8:0-5-0,0-4-8], [23:0-0-4,0-0-7], [34:0-4-0,0-4-0]

Loading	(psf)	Spacing	2-0-0	CSI	DEFL	in	(loc)	l/defl	L/d	PLATES	GRIP
TCLL (roof)	20.0	Plate Grip DOL	1.15	TC	0.72	Vert(LL)	0.00	25-51	>999	MT20	244/190
Snow (Pf)	20.0	Lumber DOL	1.15	BC	0.54	Vert(CT)	-0.52	42-47	>437		
TCDL	10.0	Rep Stress Incr	YES	WB	0.85	Horz(CT)	-0.03	23	n/a		
BCLL	0.0*	Code	IRC2018/TPI2014	Matrix-MSH							
BCDL	10.0									Weight: 331 lb	FT = 20%

LUMBER
TOP CHORD 2x6 SP No.2
BOT CHORD 2x6 SP No.2
WEBS 2x4 SP No.3
OTHERS 2x4 SP No.3 *Except* 0-0,0-0:2x4 SP No.2 (flat)
SLIDER Left 2x4 SP No.3 -- 2-6-0

BRACING
TOP CHORD Structural wood sheathing directly applied or 7-2-13 oc purlins.
BOT CHORD Rigid ceiling directly applied or 5-7-0 oc bracing.
WEBS 1 Row at midpt 14-33
I-Brace: 2x4 SP No.2 - 13-34
Fasten (2X) T and I braces to narrow edge of web with 10d (0.131"x3") nails, 6in o.c., with 3in minimum end distance.
Brace must cover 90% of web length.

JOINTS
1 Brace at Jt(s): 43, 44, 45

REACTIONS (size)
23=0-3-8, 25=19-1-8, 26=19-1-8, 27=19-1-8, 28=19-1-8, 30=19-1-8, 31=19-1-8, 32=19-1-8, 33=19-1-8, 34=19-1-8
Max Horiz 34=155 (LC 18)
Max Uplift 23=906 (LC 21), 25=106 (LC 15), 26=49 (LC 34), 27=48 (LC 15), 28=43 (LC 15), 30=44 (LC 15), 31=44 (LC 15), 32=51 (LC 15), 33=25 (LC 15), 34=314 (LC 14)
Max Grav 23=166 (LC 14), 25=556 (LC 1), 26=78 (LC 35), 27=191 (LC 1), 28=156 (LC 35), 30=166 (LC 1), 31=172 (LC 22), 32=210 (LC 22), 33=233 (LC 22), 34=2658 (LC 21)

FORCES (lb) - Maximum Compression/Maximum Tension

TOP CHORD 1-2=0/16, 2-4=-814/1231, 4-5=-795/1258, 5-6=-771/1277, 6-7=-780/1352, 7-9=-788/1614, 9-10=-784/1692, 10-11=-776/1749, 11-12=-753/1768, 12-13=-724/1809, 13-14=-693/1709, 14-15=-750/1747, 15-16=-777/1713, 16-17=-810/1717, 17-19=-842/1718, 19-20=-874/1718, 20-21=-907/1721, 21-22=-925/1697, 22-23=-1011/1774, 23-24=0/16

BOT CHORD 2-42=-1141/811, 41-42=-1114/813, 40-41=-1086/812, 39-40=-1085/829, 38-39=-991/781, 37-38=-1094/828, 36-37=-1142/842, 35-36=-1143/827, 34-35=-1189/831, 33-34=-1524/918, 32-33=-1524/918, 31-32=-1524/918, 30-31=-1524/918, 28-30=-1524/918, 27-28=-1524/918, 26-27=-1524/918, 25-26=-1524/918, 23-25=-1524/918

WEBS 13-34=-1727/721, 8-38=-84/283, 8-46=-569/194, 45-46=-492/152, 44-45=-520/165, 43-44=-504/161, 34-43=-569/184, 12-43=-120/43, 11-44=-148/76, 35-44=-179/83, 10-45=-27/36, 36-45=-35/64, 9-46=-26/49, 37-46=-156/77, 7-39=-361/205, 6-40=-43/78, 5-41=-77/54, 4-42=-64/60, 14-33=-267/104, 15-32=-149/75, 16-31=-138/68, 17-30=-122/67, 19-28=-120/68, 20-27=-129/69, 21-26=-85/56, 22-25=-306/158

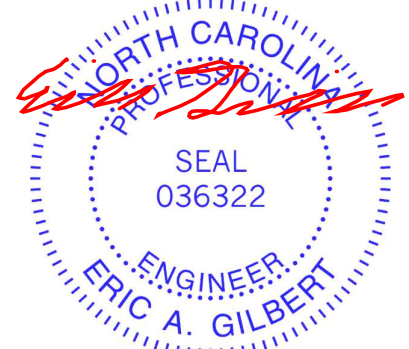
NOTES
1) Unbalanced roof live loads have been considered for this design.

2) Wind: ASCE 7-16; Vult=130mph (3-second gust) Vasd=103mph; TCDL=6.0psf; BCDL=6.0psf; h=25ft; Cat. II; Exp B; Enclosed; MWFRS (envelope) exterior zone and C-C Exterior(2E) -0-7-0 to 3-0-0, Interior (1) 3-0-0 to 15-0-0, Exterior(2R) 15-0-0 to 23-0-0, Interior (1) 23-0-0 to 34-9-7, Exterior(2E) 34-9-7 to 38-7-0 zone; cantilever left and right exposed ; end vertical left and right exposed; C-C for members and forces & MWFRS for reactions shown; Lumber DOL=1.60 plate grip DOL=1.60

3) Truss designed for wind loads in the plane of the truss only. For studs exposed to wind (normal to the face), see Standard Industry Gable End Details as applicable, or consult qualified building designer as per ANSI/TPI 1.

4) TCLL: ASCE 7-16; Pr=20.0 psf (roof LL: Lum DOL=1.15 Plate DOL=1.15); Pf=20.0 psf (Lum DOL=1.15 Plate DOL=1.15); Is=1.0; Rough Cat B; Fully Exp.; Ce=0.9; Cs=1.00; Ct=1.10

5) Unbalanced snow loads have been considered for this design.



Continued on page 2

WARNING - Verify design parameters and READ NOTES ON THIS AND INCLUDED MITEK REFERENCE PAGE MII-7473 rev. 1/2/2023 BEFORE USE.
Design valid for use only with MiTek® connectors. This design is based only upon parameters shown, and is for an individual building component, not a truss system. Before use, the building designer must verify the applicability of design parameters and properly incorporate this design into the overall building design. Bracing indicated is to prevent buckling of individual truss web and/or chord members only. Additional temporary and permanent bracing is always required for stability and to prevent collapse with possible personal injury and property damage. For general guidance regarding the fabrication, storage, delivery, erection and bracing of trusses and truss systems, see **ANSI/TPI Quality Criteria and DSB-22** available from Truss Plate Institute (www.tpinst.org) and **BCSI Building Component Safety Information** available from the Structural Building Component Association (www.sbcacomponents.com)



Job	Truss	Truss Type	Qty	Ply	31 Mason Ridge-Roof-Wilmington C FLX VMB GRH I64594516
24100078	A05	Roof Special Structural Gable	1	1	Job Reference (optional)

Carter Components (Sanford, NC), Sanford, NC - 27332,

Run: 8.73 S Mar 21 2024 Print: 8.730 S Mar 21 2024 MiTek Industries, Inc. Mon Apr 01 08:14:37
ID:djFcPYmnieq_pou14PULBkzwPnV-RfC?PsB70Hq3NSgPqnL8w3uITxbGKWrCDoi7J4zJC?f

Page: 2

- 6) This truss has been designed for greater of min roof live load of 12.0 psf or 1.00 times flat roof load of 20.0 psf on overhangs non-concurrent with other live loads.
- 7) All plates are 2x4 MT20 unless otherwise indicated.
- 8) Gable studs spaced at 2-0-0 oc.
- 9) This truss has been designed for a 10.0 psf bottom chord live load nonconcurrent with any other live loads.
- 10) * This truss has been designed for a live load of 20.0psf on the bottom chord in all areas where a rectangle 3-06-00 tall by 2-00-00 wide will fit between the bottom chord and any other members.
- 11) Provide mechanical connection (by others) of truss to bearing plate capable of withstanding 314 lb uplift at joint 34, 25 lb uplift at joint 33, 51 lb uplift at joint 32, 44 lb uplift at joint 31, 44 lb uplift at joint 30, 43 lb uplift at joint 28, 48 lb uplift at joint 27, 49 lb uplift at joint 26, 106 lb uplift at joint 25 and 906 lb uplift at joint 23.
- 12) This truss is designed in accordance with the 2018 International Residential Code sections R502.11.1 and R802.10.2 and referenced standard ANSI/TPI 1.
- 13) Warning: Additional permanent and stability bracing for truss system (not part of this component design) is always required.

LOAD CASE(S) Standard

WARNING - Verify design parameters and READ NOTES ON THIS AND INCLUDED MITEK REFERENCE PAGE MII-7473 rev. 1/2/2023 BEFORE USE.

Design valid for use only with MiTek® connectors. This design is based only upon parameters shown, and is for an individual building component, not a truss system. Before use, the building designer must verify the applicability of design parameters and properly incorporate this design into the overall building design. Bracing indicated is to prevent buckling of individual truss web and/or chord members only. Additional temporary and permanent bracing is always required for stability and to prevent collapse with possible personal injury and property damage. For general guidance regarding the fabrication, storage, delivery, erection and bracing of trusses and truss systems, see **ANSI/TPI1 Quality Criteria and DSB-22** available from Truss Plate Institute (www.tpinst.org) and **BCSI Building Component Safety Information** available from the Structural Building Component Association (www.sbcacomponents.com)



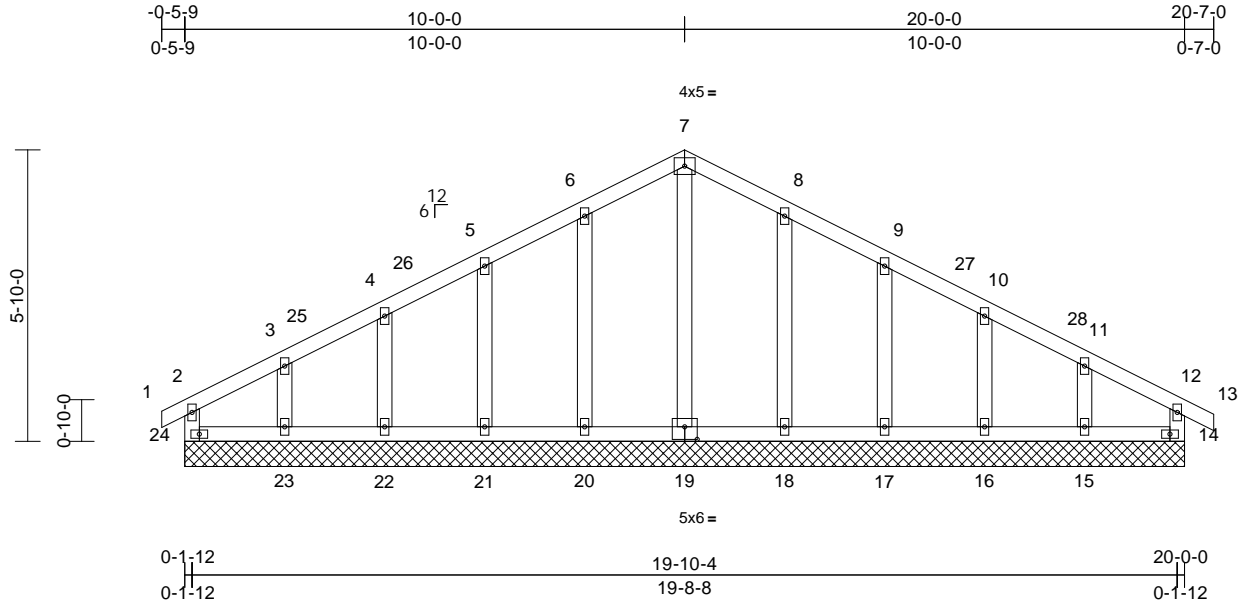
818 Soundside Road
Edenton, NC 27932

Job 24100078	Truss B01	Truss Type Common Supported Gable	Qty 1	Ply 1	31 Mason Ridge-Roof-Wilmington C FLX VMB GRH I64594517 Job Reference (optional)
-----------------	--------------	--------------------------------------	----------	----------	---

Carter Components (Sanford, NC), Sanford, NC - 27332,

Run: 8.73 S Mar 21 2024 Print: 8.730 S Mar 21 2024 MiTek Industries, Inc. Mon Apr 01 08:14:37
ID:3svb5hhSxbq1LmTDC3xnuAzwPrT-RfC?PsB70Hq3NSgPqnL8w3uITXbGKwKRCDoi7J4zJC?f

Page: 1



Scale = 1:46.1

Plate Offsets (X, Y): [19:0-3-0,0-3-0]

Loading	(psf)	Spacing	2-0-0	CSI	DEFL	in	(loc)	l/defl	L/d	PLATES	GRIP	
TCLL (roof)	20.0	Plate Grip DOL	1.15	TC	0.15	Vert(LL)	n/a	-	n/a	999	MT20	244/190
Snow (Pf)	20.0	Lumber DOL	1.15	BC	0.11	Vert(CT)	n/a	-	n/a	999		
TCDL	10.0	Rep Stress Incr	YES	WB	0.12	Horz(CT)	0.00	15	n/a	n/a		
BCLL	0.0*	Code	IRC2018/TPI2014	Matrix-MR								
BCDL	10.0											
											Weight: 107 lb	FT = 20%

LUMBER
TOP CHORD 2x4 SP No.2
BOT CHORD 2x4 SP No.2
WEBS 2x4 SP No.3
OTHERS 2x4 SP No.3

BRACING
TOP CHORD Structural wood sheathing directly applied or 10-0-0 oc purlins, except end verticals.
BOT CHORD Rigid ceiling directly applied or 6-0-0 oc bracing.

REACTIONS (size)
15=20-0-0, 16=20-0-0, 17=20-0-0, 18=20-0-0, 19=20-0-0, 20=20-0-0, 21=20-0-0, 22=20-0-0, 23=20-0-0, 24=20-0-0
Max Horiz 24=82 (LC 12)
Max Uplift 15=56 (LC 15), 16=44 (LC 15), 17=45 (LC 15), 18=44 (LC 15), 20=44 (LC 14), 21=47 (LC 14), 22=34 (LC 14), 23=83 (LC 14), 24=41 (LC 10)
Max Grav 15=279 (LC 1), 16=113 (LC 22), 17=243 (LC 22), 18=245 (LC 22), 19=238 (LC 22), 20=247 (LC 21), 21=229 (LC 21), 22=169 (LC 21), 23=206 (LC 1), 24=71 (LC 34)

FORCES (lb) - Maximum Compression/Maximum Tension
TOP CHORD 2-24=62/42, 1-2=0/16, 2-3=77/140, 3-4=30/134, 4-5=19/145, 5-6=37/154, 6-7=56/164, 7-8=56/164, 8-9=37/139, 9-10=18/140, 10-11=3/112, 11-12=57/137, 12-13=0/20, 12-14=19/36
BOT CHORD 23-24=85/115, 22-23=85/115, 21-22=85/115, 20-21=85/115, 18-20=85/115, 17-18=85/115, 16-17=85/115, 15-16=85/115, 14-15=85/115

WEBS 7-19=197/0, 6-20=207/80, 5-21=188/84, 4-22=132/76, 3-23=144/130, 8-18=207/80, 9-17=194/87, 10-16=106/68, 11-15=177/149

NOTES

- Unbalanced roof live loads have been considered for this design.
- Wind: ASCE 7-16; Vult=130mph (3-second gust) Vasd=103mph; TCCL=6.0psf; BCDL=6.0psf; h=25ft; Cat. II; Exp B; Enclosed; MWFRS (envelope) exterior zone and C-C Corner(3E) -0-5-9 to 2-6-7, Exterior(2N) 2-6-7 to 7-0-0, Corner(3R) 7-0-0 to 13-0-0, Exterior(2N) 13-0-0 to 17-7-0, Corner(3E) 17-7-0 to 20-7-0 zone; cantilever left and right exposed; end vertical left and right exposed; C-C for members and forces & MWFRS for reactions shown; Lumber DOL=1.60 plate grip DOL=1.60
- Truss designed for wind loads in the plane of the truss only. For studs exposed to wind (normal to the face), see Standard Industry Gable End Details as applicable, or consult qualified building designer as per ANSI/TPI 1.
- TCLL: ASCE 7-16; Pr=20.0 psf (roof LL: Lum DOL=1.15 Plate DOL=1.15); Pf=20.0 psf (Lum DOL=1.15 Plate DOL=1.15); Is=1.0; Rough Cat B; Fully Exp.; Ce=0.9; Cs=1.00; Ct=1.10
- Unbalanced snow loads have been considered for this design.
- This truss has been designed for greater of min roof live load of 12.0 psf or 1.00 times flat roof load of 20.0 psf on overhangs non-concurrent with other live loads.
- All plates are 2x4 MT20 unless otherwise indicated.
- Gable requires continuous bottom chord bearing.
- Truss to be fully sheathed from one face or securely braced against lateral movement (i.e. diagonal web).
- Gable studs spaced at 2-0-0 oc.
- This truss has been designed for a 10.0 psf bottom chord live load nonconcurrent with any other live loads.

- * This truss has been designed for a live load of 20.0psf on the bottom chord in all areas where a rectangle 3-06-00 tall by 2-00-00 wide will fit between the bottom chord and any other members.
- Bearing at joint(s) 24 considers parallel to grain value using ANSI/TPI 1 angle to grain formula. Building designer should verify capacity of bearing surface.
- Provide mechanical connection (by others) of truss to bearing plate capable of withstanding 41 lb uplift at joint 24, 44 lb uplift at joint 20, 47 lb uplift at joint 21, 34 lb uplift at joint 22, 83 lb uplift at joint 23, 44 lb uplift at joint 18, 45 lb uplift at joint 17, 44 lb uplift at joint 16 and 56 lb uplift at joint 15.
- This truss is designed in accordance with the 2018 International Residential Code sections R502.11.1 and R802.10.2 and referenced standard ANSI/TPI 1.

LOAD CASE(S) Standard



April 2, 2024

WARNING - Verify design parameters and READ NOTES ON THIS AND INCLUDED MITEK REFERENCE PAGE MII-7473 rev. 1/2/2023 BEFORE USE.

Design valid for use only with MiTek® connectors. This design is based only upon parameters shown, and is for an individual building component, not a truss system. Before use, the building designer must verify the applicability of design parameters and properly incorporate this design into the overall building design. Bracing indicated is to prevent buckling of individual truss web and/or chord members only. Additional temporary and permanent bracing is always required for stability and to prevent collapse with possible personal injury and property damage. For general guidance regarding the fabrication, storage, delivery, erection and bracing of trusses and truss systems, see **ANSI/TPI Quality Criteria and DSB-22** available from Truss Plate Institute (www.tpinst.org) and **BCSI Building Component Safety Information** available from the Structural Building Component Association (www.sbcacomponents.com)



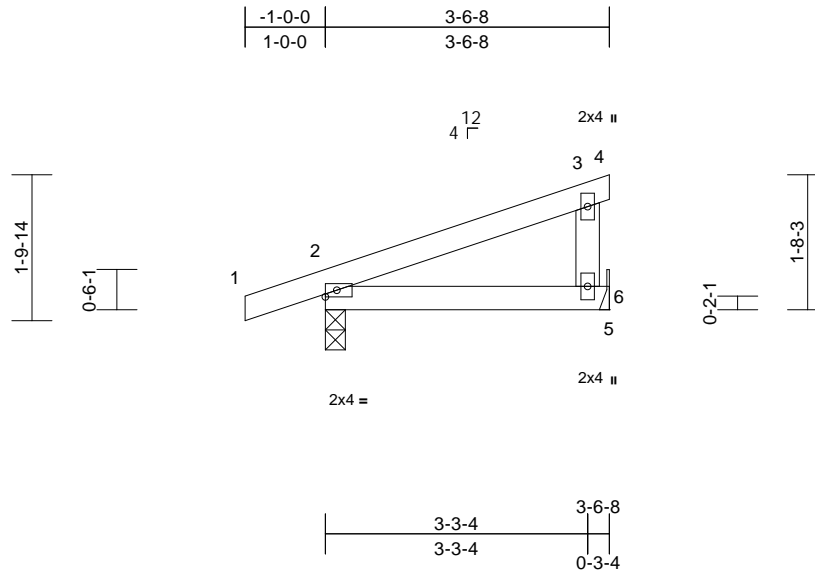
818 Soundside Road
Edenton, NC 27932

Job 24100078	Truss C01	Truss Type Monopitch	Qty 7	Ply 1	31 Mason Ridge-Roof-Wilmington C FLX VMB GRH I64594518 Job Reference (optional)
-----------------	--------------	-------------------------	----------	----------	---

Carter Components (Sanford, NC), Sanford, NC - 27332,

Run: 8.73 S Mar 21 2024 Print: 8.730 S Mar 21 2024 MiTek Industries, Inc. Mon Apr 01 08:14:37
ID:m4jm85hMIZcJHoWkltroegzw9ei-RfC?PsB70Hq3NSgPqnL8w3ulTXbGKWrCDoi7J4zJC?f

Page: 1



Loading	(psf)	Spacing	2-0-0	CSI	DEFL	in	(loc)	l/defl	L/d	PLATES	GRIP	
TCLL (roof)	20.0	Plate Grip DOL	1.15	TC	0.19	Vert(LL)	0.02	6-9	>999	240	MT20	244/190
Snow (Pf)	20.0	Lumber DOL	1.15	BC	0.18	Vert(CT)	0.02	6-9	>999	180		
TCDL	10.0	Rep Stress Incr	YES	WB	0.00	Horz(CT)	0.00	2	n/a	n/a		
BCLL	0.0*	Code	IRC2018/TPI2014	Matrix-MP								
BCDL	10.0											
											Weight: 14 lb	FT = 20%

LUMBER
TOP CHORD 2x4 SP No.2
BOT CHORD 2x4 SP No.2
WEBS 2x4 SP No.3

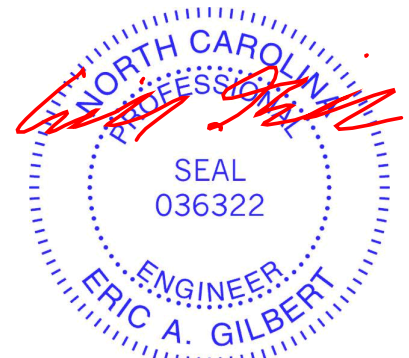
BRACING
TOP CHORD Structural wood sheathing directly applied or 3-6-8 oc purlins, except end verticals.
BOT CHORD Rigid ceiling directly applied or 10-0-0 oc bracing.

REACTIONS (size) 2=0-3-0, 6= Mechanical
Max Horiz 2=59 (LC 10)
Max Uplift 2=-81 (LC 10), 6=-56 (LC 10)
Max Grav 2=276 (LC 21), 6=193 (LC 21)

FORCES (lb) - Maximum Compression/Maximum Tension
TOP CHORD 1-2=0/28, 2-3=-50/86, 3-4=-8/0, 3-6=-144/121
BOT CHORD 2-6=-54/50, 5-6=0/0

- 6) * This truss has been designed for a live load of 20.0psf on the bottom chord in all areas where a rectangle 3-06-00 tall by 2-00-00 wide will fit between the bottom chord and any other members.
- 7) Refer to girder(s) for truss to truss connections.
- 8) Provide mechanical connection (by others) of truss to bearing plate capable of withstanding 56 lb uplift at joint 6.
- 9) One H2.5A Simpson Strong-Tie connectors recommended to connect truss to bearing walls due to UPLIFT at jt(s) 2. This connection is for uplift only and does not consider lateral forces.
- 10) This truss is designed in accordance with the 2018 International Residential Code sections R502.11.1 and R802.10.2 and referenced standard ANSI/TPI 1.
- LOAD CASE(S)** Standard

- NOTES**
- 1) Wind: ASCE 7-16; Vult=130mph (3-second gust) Vasd=103mph; TCDL=6.0psf; BCDL=6.0psf; h=25ft; Cat. II; Exp B; Enclosed; MWFRS (envelope) exterior zone and C-C Exterior(2E) zone; cantilever left and right exposed; end vertical left exposed; porch left and right exposed; C-C for members and forces & MWFRS for reactions shown; Lumber DOL=1.60 plate grip DOL=1.60
 - 2) TCLL: ASCE 7-16; Pr=20.0 psf (roof LL: Lum DOL=1.15 Plate DOL=1.15); Pf=20.0 psf (Lum DOL=1.15 Plate DOL=1.15); Is=1.0; Rough Cat B; Fully Exp.; Ce=0.9; Cs=1.00; Ct=1.10
 - 3) Unbalanced snow loads have been considered for this design.
 - 4) This truss has been designed for greater of min roof live load of 12.0 psf or 1.00 times flat roof load of 20.0 psf on overhangs non-concurrent with other live loads.
 - 5) This truss has been designed for a 10.0 psf bottom chord live load nonconcurrent with any other live loads.



April 2, 2024

WARNING - Verify design parameters and READ NOTES ON THIS AND INCLUDED MITEK REFERENCE PAGE MII-7473 rev. 1/2/2023 BEFORE USE.

Design valid for use only with MiTek® connectors. This design is based only upon parameters shown, and is for an individual building component, not a truss system. Before use, the building designer must verify the applicability of design parameters and properly incorporate this design into the overall building design. Bracing indicated is to prevent buckling of individual truss web and/or chord members only. Additional temporary and permanent bracing is always required for stability and to prevent collapse with possible personal injury and property damage. For general guidance regarding the fabrication, storage, delivery, erection and bracing of trusses and truss systems, see **ANSI/TPI1 Quality Criteria and DSB-22** available from Truss Plate Institute (www.tpinst.org) and **BCSI Building Component Safety Information** available from the Structural Building Component Association (www.sbcacomponents.com)

ENGINEERING BY
TRENCO
A MiTek Affiliate

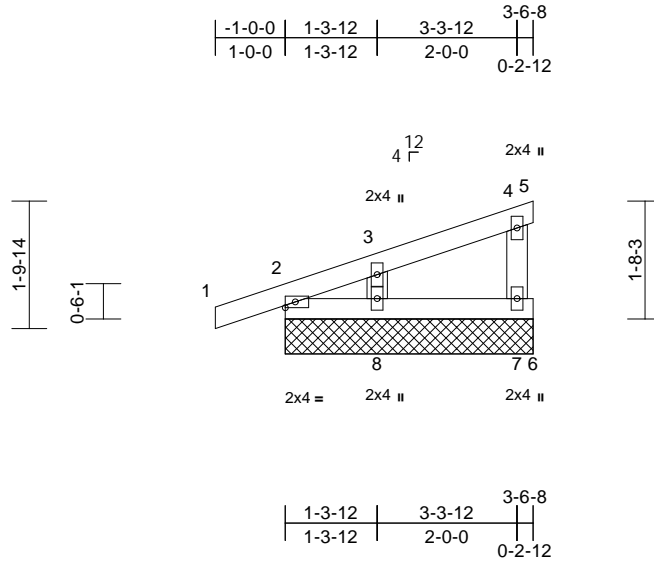
818 Soundside Road
Edenton, NC 27932

Job 24100078	Truss C02	Truss Type Monopitch Supported Gable	Qty 1	Ply 1	31 Mason Ridge-Roof-Wilmington C FLX VMB GRH I64594519 Job Reference (optional)
-----------------	--------------	---	----------	----------	---

Carter Components (Sanford, NC), Sanford, NC - 27332,

Run: 8.73 S Mar 21 2024 Print: 8.730 S Mar 21 2024 MiTek Industries, Inc. Mon Apr 01 08:14:37
ID:U5QFVlelxXRFDnTjJFF5o7zw9dU-RfC?PsB70Hq3NSgPqnL8w3uITXbGKWrCDoi7J4zJC7f

Page: 1



Loading	(psf)	Spacing	2-0-0	CSI	DEFL	in	(loc)	l/defl	L/d	PLATES	GRIP	
TCLL (roof)	20.0	Plate Grip DOL	1.15	TC	0.10	Vert(LL)	n/a	-	n/a	999	MT20	244/190
Snow (Pf)	20.0	Lumber DOL	1.15	BC	0.03	Vert(CT)	n/a	-	n/a	999		
TCDL	10.0	Rep Stress Incr	YES	WB	0.05	Horz(CT)	0.00	2	n/a	n/a		
BCLL	0.0*	Code	IRC2018/TPI2014	Matrix-MP								
BCDL	10.0											
										Weight: 15 lb	FT = 20%	

LUMBER
TOP CHORD 2x4 SP No.2
BOT CHORD 2x4 SP No.2
WEBS 2x4 SP No.3

BRACING
TOP CHORD Structural wood sheathing directly applied or 3-6-8 oc purlins.
BOT CHORD Rigid ceiling directly applied or 10-0-0 oc bracing.

REACTIONS (size) 2=3-6-8, 5=3-6-8, 6=3-6-8, 7=3-6-8, 8=3-6-8, 9=3-6-8
Max Horiz 2=60 (LC 10), 9=60 (LC 10)
Max Uplift 2=-37 (LC 10), 5=-70 (LC 21), 6=-54 (LC 7), 7=-28 (LC 10), 8=-34 (LC 14), 9=-37 (LC 10)
Max Grav 2=172 (LC 21), 5=22 (LC 10), 6=-14 (LC 10), 7=236 (LC 21), 8=165 (LC 21), 9=172 (LC 21)

FORCES (lb) - Maximum Compression/Maximum Tension
TOP CHORD 1-2=0/28, 2-3=-117/74, 3-4=-43/27, 4-5=-28/22
BOT CHORD 2-8=-42/18, 7-8=0/0, 6-7=0/0
WEBS 4-7=-175/180, 3-8=-148/160

NOTES
1) Wind: ASCE 7-16; Vult=130mph (3-second gust) Vasd=103mph; TCDL=6.0psf; BCDL=6.0psf; h=25ft; Cat. II; Exp B; Enclosed; MWFRS (envelope) exterior zone and C-C Corner(3E) zone; cantilever left and right exposed ; end vertical left exposed;C-C for members and forces & MWFRS for reactions shown; Lumber DOL=1.60 plate grip DOL=1.60
2) Truss designed for wind loads in the plane of the truss only. For studs exposed to wind (normal to the face), see Standard Industry Gable End Details as applicable, or consult qualified building designer as per ANSI/TPI 1.

- TCLL: ASCE 7-16; Pr=20.0 psf (roof LL: Lum DOL=1.15 Plate DOL=1.15); Pf=20.0 psf (Lum DOL=1.15 Plate DOL=1.15); Is=1.0; Rough Cat B; Fully Exp.; Ce=0.9; Cs=1.00; Ct=1.10
- Unbalanced snow loads have been considered for this design.
- This truss has been designed for greater of min roof live load of 12.0 psf or 1.00 times flat roof load of 20.0 psf on overhangs non-concurrent with other live loads.
- Gable requires continuous bottom chord bearing.
- Gable studs spaced at 2-0-0 oc.
- This truss has been designed for a 10.0 psf bottom chord live load nonconcurrent with any other live loads.
- * This truss has been designed for a live load of 20.0psf on the bottom chord in all areas where a rectangle 3-06-00 tall by 2-00-00 wide will fit between the bottom chord and any other members.
- Provide mechanical connection (by others) of truss to bearing plate capable of withstanding 37 lb uplift at joint 2, 54 lb uplift at joint 6, 70 lb uplift at joint 5, 28 lb uplift at joint 7, 34 lb uplift at joint 8 and 37 lb uplift at joint 2.
- This truss is designed in accordance with the 2018 International Residential Code sections R502.11.1 and R802.10.2 and referenced standard ANSI/TPI 1.

LOAD CASE(S) Standard



April 2, 2024

WARNING - Verify design parameters and READ NOTES ON THIS AND INCLUDED MITEK REFERENCE PAGE MII-7473 rev. 1/2/2023 BEFORE USE.

Design valid for use only with MiTek® connectors. This design is based only upon parameters shown, and is for an individual building component, not a truss system. Before use, the building designer must verify the applicability of design parameters and properly incorporate this design into the overall building design. Bracing indicated is to prevent buckling of individual truss web and/or chord members only. Additional temporary and permanent bracing is always required for stability and to prevent collapse with possible personal injury and property damage. For general guidance regarding the fabrication, storage, delivery, erection and bracing of trusses and truss systems, see **ANSI/TPI1 Quality Criteria and DSB-22** available from Truss Plate Institute (www.tpinst.org) and **BCSI Building Component Safety Information** available from the Structural Building Component Association (www.sbcacomponents.com)

ENGINEERING BY
TRENCO
A MiTek Affiliate

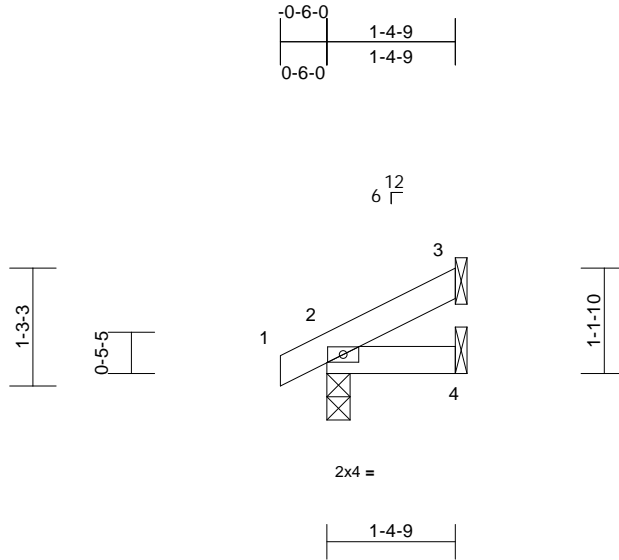
818 Soundside Road
Edenton, NC 27932

Job 24100078	Truss CJ1	Truss Type Jack-Open	Qty 1	Ply 1	31 Mason Ridge-Roof-Wilmington C FLX VMB GRH I64594520 Job Reference (optional)
-----------------	--------------	-------------------------	----------	----------	---

Carter Components (Sanford, NC), Sanford, NC - 27332,

Run: 8.73 S Mar 21 2024 Print: 8.730 S Mar 21 2024 MiTek Industries, Inc. Mon Apr 01 08:14:37
ID:8Ck3kIOP5tNjHToqV_tssPzw9cV-RfC?PsB70Hq3NSgPqnL8w3ulTXbGkWRcDoi7J4zJC?f

Page: 1



Scale = 1:24.8

Loading	(psf)	Spacing	2-0-0	CSI	DEFL	in	(loc)	l/defl	L/d	PLATES	GRIP	
TCLL (roof)	20.0	Plate Grip DOL	1.15	TC	0.03	Vert(LL)	0.00	7	>999	240	MT20	244/190
Snow (Pf)	20.0	Lumber DOL	1.15	BC	0.02	Vert(CT)	0.00	4-7	>999	180		
TCDL	10.0	Rep Stress Incr	YES	WB	0.00	Horz(CT)	0.00	3	n/a	n/a		
BCLL	0.0*	Code	IRC2018/TPI2014	Matrix-MP								
BCDL	10.0										Weight: 5 lb	FT = 20%

LUMBER

TOP CHORD 2x4 SP No.2
BOT CHORD 2x4 SP No.2

BRACING

TOP CHORD Structural wood sheathing directly applied or 1-4-9 oc purlins.
BOT CHORD Rigid ceiling directly applied or 10-0-0 oc bracing.

REACTIONS

(size) 2=0-3-0, 3= Mechanical, 4= Mechanical
Max Horiz 2=33 (LC 14)
Max Uplift 2=-11 (LC 14), 3=-17 (LC 14)
Max Grav 2=118 (LC 21), 3=43 (LC 21), 4=24 (LC 7)

FORCES

(lb) - Maximum Compression/Maximum Tension

TOP CHORD 1-2=0/18, 2-3=-20/15
BOT CHORD 2-4=-16/17

NOTES

- 1) Wind: ASCE 7-16; Vult=130mph (3-second gust)
Vasd=103mph; TCDL=6.0psf; BCDL=6.0psf; h=25ft; Cat. II; Exp B; Enclosed; MWFRS (envelope) exterior zone and C-C Exterior(2E) zone; cantilever left and right exposed; end vertical left and right exposed; C-C for members and forces & MWFRS for reactions shown; Lumber DOL=1.60 plate grip DOL=1.60
- 2) TCLL: ASCE 7-16; Pr=20.0 psf (roof LL: Lum DOL=1.15 Plate DOL=1.15); Pf=20.0 psf (Lum DOL=1.15 Plate DOL=1.15); Is=1.0; Rough Cat B; Fully Exp.; Ce=0.9; Cs=1.00; Ct=1.10
- 3) Unbalanced snow loads have been considered for this design.
- 4) This truss has been designed for greater of min roof live load of 12.0 psf or 1.00 times flat roof load of 20.0 psf on overhangs non-concurrent with other live loads.
- 5) This truss has been designed for a 10.0 psf bottom chord live load nonconcurrent with any other live loads.

- 6) * This truss has been designed for a live load of 20.0psf on the bottom chord in all areas where a rectangle 3-06-00 tall by 2-00-00 wide will fit between the bottom chord and any other members.
 - 7) Bearings are assumed to be: , Joint 2 User Defined .
 - 8) Refer to girder(s) for truss to truss connections.
 - 9) Provide mechanical connection (by others) of truss to bearing plate capable of withstanding 11 lb uplift at joint 2 and 17 lb uplift at joint 3.
 - 10) This truss is designed in accordance with the 2018 International Residential Code sections R502.11.1 and R802.10.2 and referenced standard ANSI/TPI 1.
- LOAD CASE(S)** Standard



April 2, 2024

WARNING - Verify design parameters and READ NOTES ON THIS AND INCLUDED MITEK REFERENCE PAGE MII-7473 rev. 1/2/2023 BEFORE USE.

Design valid for use only with MiTek® connectors. This design is based only upon parameters shown, and is for an individual building component, not a truss system. Before use, the building designer must verify the applicability of design parameters and properly incorporate this design into the overall building design. Bracing indicated is to prevent buckling of individual truss web and/or chord members only. Additional temporary and permanent bracing is always required for stability and to prevent collapse with possible personal injury and property damage. For general guidance regarding the fabrication, storage, delivery, erection and bracing of trusses and truss systems, see **ANSI/TPH Quality Criteria and DSB-22** available from Truss Plate Institute (www.tpinst.org) and **BCSI Building Component Safety Information** available from the Structural Building Component Association (www.sbcacomponents.com)



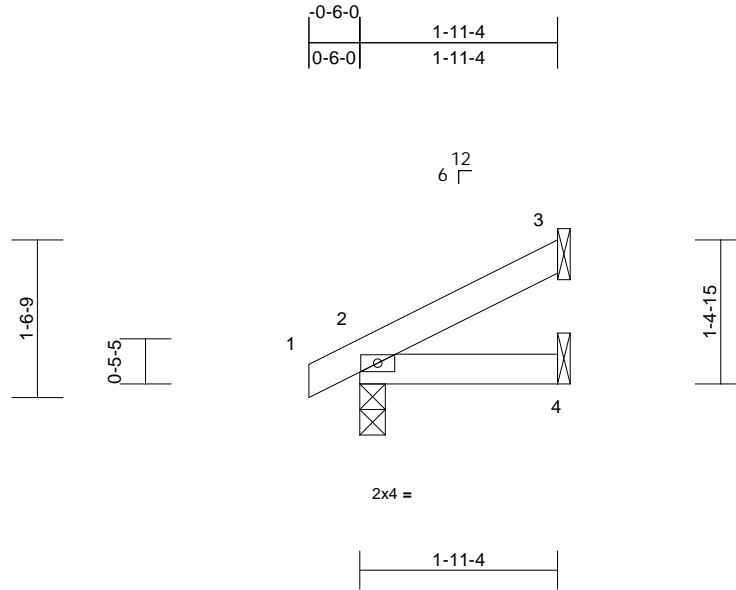
818 Soundside Road
Edenton, NC 27932

Job 24100078	Truss EJ2	Truss Type Jack-Open	Qty 1	Ply 1	31 Mason Ridge-Roof-Wilmington C FLX VMB GRH I64594521 Job Reference (optional)
-----------------	--------------	-------------------------	----------	----------	---

Carter Components (Sanford, NC), Sanford, NC - 27332,

Run: 8.73 S Mar 21 2024 Print: 8.730 S Mar 21 2024 MiTek Industries, Inc. Mon Apr 01 08:14:37
ID:VR3NLqfcve8BKrT3ocH1I2zw9c9-RfC?PsB70Hq3NSgPqnL8w3ulTXbGKWRCDoi7J4zJC?f

Page: 1



Scale = 1:22.6

Loading	(psf)	Spacing	2-0-0	CSI	DEFL	in	(loc)	l/defl	L/d	PLATES	GRIP	
TCLL (roof)	20.0	Plate Grip DOL	1.15	TC	0.06	Vert(LL)	0.00	4-7	>999	240	MT20	244/190
Snow (Pf)	20.0	Lumber DOL	1.15	BC	0.05	Vert(CT)	0.00	4-7	>999	180		
TCDL	10.0	Rep Stress Incr	YES	WB	0.00	Horz(CT)	0.00	2	n/a	n/a		
BCLL	0.0*	Code	IRC2018/TPI2014	Matrix-MP								
BCDL	10.0										Weight: 7 lb	FT = 20%

LUMBER

TOP CHORD 2x4 SP No.2
BOT CHORD 2x4 SP No.2

BRACING

TOP CHORD Structural wood sheathing directly applied or 1-11-4 oc purlins.
BOT CHORD Rigid ceiling directly applied or 10-0-0 oc bracing.

REACTIONS

(size) 2=0-3-0, 3= Mechanical, 4= Mechanical
Max Horiz 2=43 (LC 14)
Max Uplift 2=-12 (LC 14), 3=-25 (LC 14)
Max Grav 2=149 (LC 21), 3=67 (LC 21), 4=35 (LC 7)

FORCES

(lb) - Maximum Compression/Maximum Tension

TOP CHORD 1-2=0/19, 2-3=-31/24
BOT CHORD 2-4=-29/27

NOTES

- 1) Wind: ASCE 7-16; Vult=130mph (3-second gust) Vasd=103mph; TCDL=6.0psf; BCDL=6.0psf; h=25ft; Cat. II; Exp B; Enclosed; MWFRS (envelope) exterior zone and C-C Exterior(2E) zone; cantilever left and right exposed; end vertical left and right exposed; C-C for members and forces & MWFRS for reactions shown; Lumber DOL=1.60 plate grip DOL=1.60
- 2) TCLL: ASCE 7-16; Pr=20.0 psf (roof LL: Lum DOL=1.15 Plate DOL=1.15); Pf=20.0 psf (Lum DOL=1.15 Plate DOL=1.15); Is=1.0; Rough Cat B; Fully Exp.; Ce=0.9; Cs=1.00; Ct=1.10
- 3) Unbalanced snow loads have been considered for this design.
- 4) This truss has been designed for greater of min roof live load of 12.0 psf or 1.00 times flat roof load of 20.0 psf on overhangs non-concurrent with other live loads.
- 5) This truss has been designed for a 10.0 psf bottom chord live load nonconcurrent with any other live loads.

- 6) * This truss has been designed for a live load of 20.0psf on the bottom chord in all areas where a rectangle 3-06-00 tall by 2-00-00 wide will fit between the bottom chord and any other members.
 - 7) Bearings are assumed to be: , Joint 2 User Defined .
 - 8) Refer to girder(s) for truss to truss connections.
 - 9) Provide mechanical connection (by others) of truss to bearing plate capable of withstanding 12 lb uplift at joint 2 and 25 lb uplift at joint 3.
 - 10) This truss is designed in accordance with the 2018 International Residential Code sections R502.11.1 and R802.10.2 and referenced standard ANSI/TPI 1.
- LOAD CASE(S)** Standard



April 2, 2024

WARNING - Verify design parameters and READ NOTES ON THIS AND INCLUDED MITEK REFERENCE PAGE MII-7473 rev. 1/2/2023 BEFORE USE.

Design valid for use only with MiTek® connectors. This design is based only upon parameters shown, and is for an individual building component, not a truss system. Before use, the building designer must verify the applicability of design parameters and properly incorporate this design into the overall building design. Bracing indicated is to prevent buckling of individual truss web and/or chord members only. Additional temporary and permanent bracing is always required for stability and to prevent collapse with possible personal injury and property damage. For general guidance regarding the fabrication, storage, delivery, erection and bracing of trusses and truss systems, see **ANSI/TPI1 Quality Criteria and DSB-22** available from Truss Plate Institute (www.tpinst.org) and **BCSI Building Component Safety Information** available from the Structural Building Component Association (www.sbcacomponents.com)



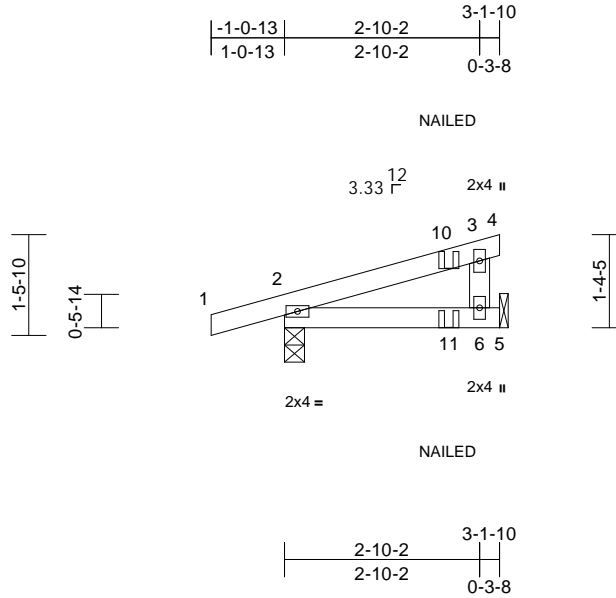
818 Soundside Road
Edenton, NC 27932

Job 24100078	Truss HJ2	Truss Type Jack-Closed Girder	Qty 1	Ply 1	31 Mason Ridge-Roof-Wilmington C FLX VMB GRH I64594522 Job Reference (optional)
-----------------	--------------	----------------------------------	----------	----------	---

Carter Components (Sanford, NC), Sanford, NC - 27332,

Run: 8.73 S Mar 21 2024 Print: 8.730 S Mar 21 2024 MiTek Industries, Inc. Mon Apr 01 08:14:38
ID:k_h3xLOFn4igX43bJCL5AiZw9bD-RfC?PsB70Hq3NSgPqnL8w3uITXbGKWrCDoi7J4zJC?f

Page: 1



Scale = 1:33.6

Loading	(psf)	Spacing	2-0-0	CSI	DEFL	in	(loc)	l/defl	L/d	PLATES	GRIP	
TCLL (roof)	20.0	Plate Grip DOL	1.15	TC	0.14	Vert(LL)	0.00	6-9	>999	240	MT20	244/190
Snow (Pf)	20.0	Lumber DOL	1.15	BC	0.08	Vert(CT)	-0.01	6-9	>999	180		
TCDL	10.0	Rep Stress Incr	NO	WB	0.02	Horz(CT)	0.00	2	n/a	n/a		
BCLL	0.0*	Code	IRC2018/TPI2014	Matrix-MP								
BCDL	10.0											
										Weight: 12 lb	FT = 20%	

LUMBER

TOP CHORD 2x4 SP No.2
BOT CHORD 2x4 SP No.2
WEBS 2x4 SP No.3

BRACING

TOP CHORD Structural wood sheathing directly applied or 3-3-11 oc purlins.
BOT CHORD Rigid ceiling directly applied or 10-0-0 oc bracing.

REACTIONS

(size) 2=0-3-8, 6= Mechanical
Max Horiz 2=46 (LC 8)
Max Uplift 2=-58 (LC 8), 6=-23 (LC 12)
Max Grav 2=255 (LC 19), 6=169 (LC 19)

FORCES

(lb) - Maximum Compression/Maximum Tension

TOP CHORD 1-2=0/24, 2-3=-49/66, 3-4=-7/0
BOT CHORD 2-6=-33/4, 5-6=0/0
WEBS 3-6=-122/36

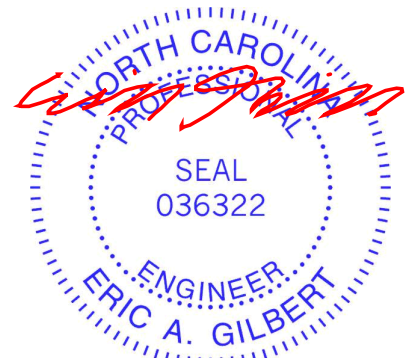
NOTES

- 1) Wind: ASCE 7-16; Vult=130mph (3-second gust)
Vasd=103mph; TCDL=6.0psf; BCDL=6.0psf; h=25ft; Cat. II; Exp B; Enclosed; MWFRS (envelope) exterior zone; cantilever left and right exposed ; end vertical left and right exposed; Lumber DOL=1.60 plate grip DOL=1.60
- 2) TCLL: ASCE 7-16; Pr=20.0 psf (roof LL: Lum DOL=1.15 Plate DOL=1.15); Pf=20.0 psf (Lum DOL=1.15 Plate DOL=1.15); Is=1.0; Rough Cat B; Fully Exp.; Ce=0.9; Cs=1.00; Ct=1.10
- 3) Unbalanced snow loads have been considered for this design.
- 4) This truss has been designed for greater of min roof live load of 12.0 psf or 1.00 times flat roof load of 20.0 psf on overhangs non-concurrent with other live loads.
- 5) This truss has been designed for a 10.0 psf bottom chord live load nonconcurrent with any other live loads.

- 6) * This truss has been designed for a live load of 20.0psf on the bottom chord in all areas where a rectangle 3-06-00 tall by 2-00-00 wide will fit between the bottom chord and any other members.
- 7) Refer to girder(s) for truss to truss connections.
- 8) One H2.5A Simpson Strong-Tie connectors recommended to connect truss to bearing walls due to UPLIFT at jt(s) 2. This connection is for uplift only and does not consider lateral forces.
- 9) One RT8A MiTek connectors recommended to connect truss to bearing walls due to UPLIFT at jt(s) 6. This connection is for uplift only and does not consider lateral forces.
- 10) This truss is designed in accordance with the 2018 International Residential Code sections R502.11.1 and R802.10.2 and referenced standard ANSI/TPI 1.
- 11) "NAILED" indicates 3-10d (0.148"x3") or 2-12d (0.148"x3.25") toe-nails per NDS guidelines.
- 12) In the LOAD CASE(S) section, loads applied to the face of the truss are noted as front (F) or back (B).

LOAD CASE(S) Standard

- 1) Dead + Snow (balanced): Lumber Increase=1.15, Plate Increase=1.15
Uniform Loads (lb/ft)
Vert: 1-4=-60, 5-7=-20
Concentrated Loads (lb)
Vert: 11=-6 (B)



April 2, 2024

WARNING - Verify design parameters and READ NOTES ON THIS AND INCLUDED MITEK REFERENCE PAGE MII-7473 rev. 1/2/2023 BEFORE USE.

Design valid for use only with MiTek® connectors. This design is based only upon parameters shown, and is for an individual building component, not a truss system. Before use, the building designer must verify the applicability of design parameters and properly incorporate this design into the overall building design. Bracing indicated is to prevent buckling of individual truss web and/or chord members only. Additional temporary and permanent bracing is always required for stability and to prevent collapse with possible personal injury and property damage. For general guidance regarding the fabrication, storage, delivery, erection and bracing of trusses and truss systems, see **ANSI/TPI Quality Criteria and DSB-22** available from Truss Plate Institute (www.tpinst.org) and **BCSI Building Component Safety Information** available from the Structural Building Component Association (www.sbcacomponents.com)



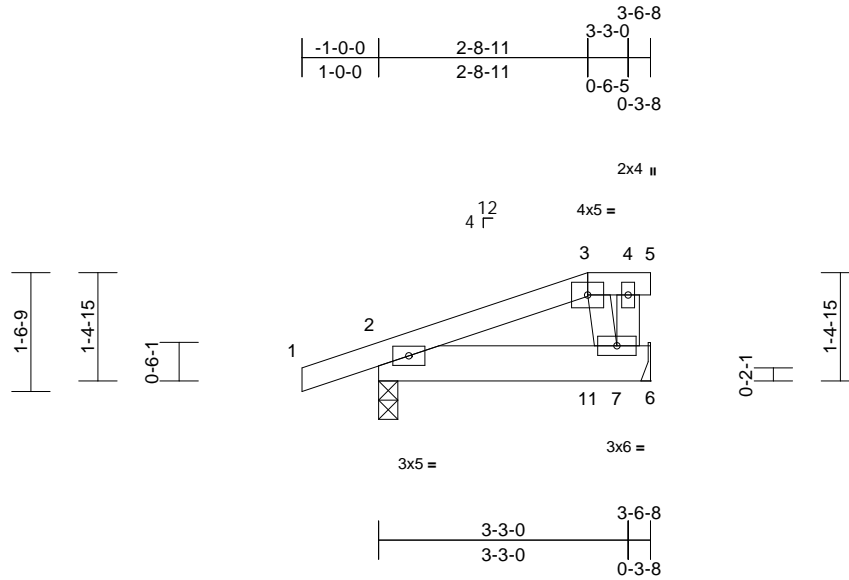
818 Soundside Road
Edenton, NC 27932

Job 24100078	Truss MH1	Truss Type Half Hip Girder	Qty 1	Ply 1	31 Mason Ridge-Roof-Wilmington C FLX VMB GRH I64594523 Job Reference (optional)
-----------------	--------------	-------------------------------	----------	----------	---

Carter Components (Sanford, NC), Sanford, NC - 27332,

Run: 8.73 S Mar 21 2024 Print: 8.730 S Mar 21 2024 MiTek Industries, Inc. Mon Apr 01 08:14:38
ID:aUhT1SUKM1Amx3W48pURMuzw9Zo-RfC?PsB70Hq3NSgPqnL8w3uTxbGKwRcDoi7J4zJC7f

Page: 1



Scale = 1:30

Loading	(psf)	Spacing	2-0-0	CSI	DEFL	in	(loc)	l/defl	L/d	PLATES	GRIP
TCLL (roof)	20.0	Plate Grip DOL	1.15	TC	0.11	Vert(LL)	0.00	7-10	>999	240	244/190
Snow (Pf)	20.0	Lumber DOL	1.15	BC	0.09	Vert(CT)	0.00	7-10	>999	180	
TCDL	10.0	Rep Stress Incr	NO	WB	0.02	Horz(CT)	0.00	2	n/a	n/a	
BCLL	0.0*	Code	IRC2018/TPI2014	Matrix-MP							
BCDL	10.0									Weight: 18 lb	FT = 20%

LUMBER

TOP CHORD 2x4 SP No.2
BOT CHORD 2x6 SP No.2
WEBS 2x4 SP No.3

BRACING

TOP CHORD Structural wood sheathing directly applied or 3-6-8 oc purlins, except 2-0-0 oc purlins: 3-5.
BOT CHORD Rigid ceiling directly applied or 10-0-0 oc bracing.

REACTIONS

(size) 2=0-3-0, 7= Mechanical
Max Horiz 2=50 (LC 8)
Max Uplift 2=-62 (LC 8), 7=-57 (LC 8)
Max Grav 2=274 (LC 34), 7=299 (LC 34)

FORCES

(lb) - Maximum Compression/Maximum Tension
TOP CHORD 1-2=0/26, 2-3=-52/16, 3-4=-2/7, 4-5=0/0
BOT CHORD 2-7=-19/30, 6-7=0/0
WEBS 4-7=-53/14, 3-7=-94/34

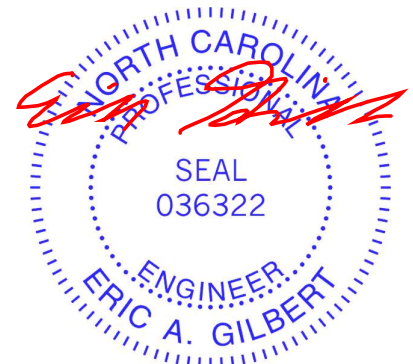
NOTES

- Unbalanced roof live loads have been considered for this design.
- Wind: ASCE 7-16; Vult=130mph (3-second gust) Vasd=103mph; TCDL=6.0psf; BCDL=6.0psf; h=25ft; Cat. II; Exp B; Enclosed; MWFRS (envelope) exterior zone; cantilever left and right exposed ; end vertical left and right exposed; Lumber DOL=1.60 plate grip DOL=1.60
- TCLL: ASCE 7-16; Pr=20.0 psf (roof LL: Lum DOL=1.15 Plate DOL=1.15); Pf=20.0 psf (Lum DOL=1.15 Plate DOL=1.15); Is=1.0; Rough Cat B; Fully Exp.; Ce=0.9; Cs=1.00; Ct=1.10
- Unbalanced snow loads have been considered for this design.
- This truss has been designed for greater of min roof live load of 12.0 psf or 1.00 times flat roof load of 20.0 psf on overhangs non-concurrent with other live loads.
- Provide adequate drainage to prevent water ponding.

- This truss has been designed for a 10.0 psf bottom chord live load nonconcurrent with any other live loads.
- * This truss has been designed for a live load of 20.0psf on the bottom chord in all areas where a rectangle 3-06-00 tall by 2-00-00 wide will fit between the bottom chord and any other members.
- Refer to girder(s) for truss connections.
- Provide mechanical connection (by others) of truss to bearing plate capable of withstanding 62 lb uplift at joint 2 and 57 lb uplift at joint 7.
- This truss is designed in accordance with the 2018 International Residential Code sections R502.11.1 and R802.10.2 and referenced standard ANSI/TPI 1.
- Graphical purlin representation does not depict the size or the orientation of the purlin along the top and/or bottom chord.
- Hanger(s) or other connection device(s) shall be provided sufficient to support concentrated load(s) 32 lb down and 32 lb up at 2-8-11 on top chord, and 153 lb down and 39 lb up at 2-8-11 on bottom chord. The design/selection of such connection device(s) is the responsibility of others.
- In the LOAD CASE(S) section, loads applied to the face of the truss are noted as front (F) or back (B).

LOAD CASE(S) Standard

- Dead + Snow (balanced): Lumber Increase=1.15, Plate Increase=1.15
Uniform Loads (lb/ft)
Vert: 1-3=-60, 3-5=-60, 6-8=-20
Concentrated Loads (lb)
Vert: 3=-13 (B), 11=-153 (B)



April 2, 2024

WARNING - Verify design parameters and READ NOTES ON THIS AND INCLUDED MITEK REFERENCE PAGE MII-7473 rev. 1/2/2023 BEFORE USE.

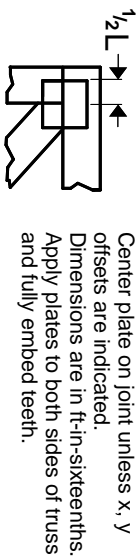
Design valid for use only with MiTek® connectors. This design is based only upon parameters shown, and is for an individual building component, not a truss system. Before use, the building designer must verify the applicability of design parameters and properly incorporate this design into the overall building design. Bracing indicated is to prevent buckling of individual truss web and/or chord members only. Additional temporary and permanent bracing is always required for stability and to prevent collapse with possible personal injury and property damage. For general guidance regarding the fabrication, storage, delivery, erection and bracing of trusses and truss systems, see **ANSI/TPI1 Quality Criteria and DSB-22** available from Truss Plate Institute (www.tpinst.org) and **BCSI Building Component Safety Information** available from the Structural Building Component Association (www.sbcacomponents.com)



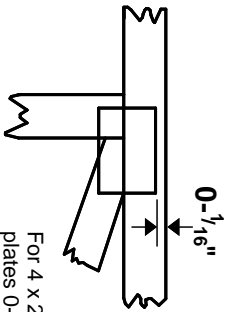
818 Soundside Road
Edenton, NC 27932

Symbols

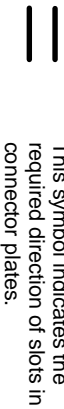
PLATE LOCATION AND ORIENTATION



Center plate on joint unless x, y offsets are indicated. Dimensions are in ft-in-sixteenths. Apply plates to both sides of truss and fully embed teeth.



For 4 x 2 orientation, locate plates 0- 1/16\" from outside edge of truss.



This symbol indicates the required direction of slots in connector plates.

* Plate location details available in MITek software or upon request.

PLATE SIZE

4 X 4

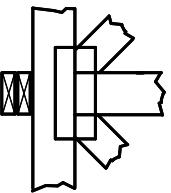
The first dimension is the plate width measured perpendicular to slots. Second dimension is the length parallel to slots.

LATERAL BRACING LOCATION



Indicated by symbol shown and/or by text in the bracing section of the output. Use T or I bracing if indicated.

BEARING

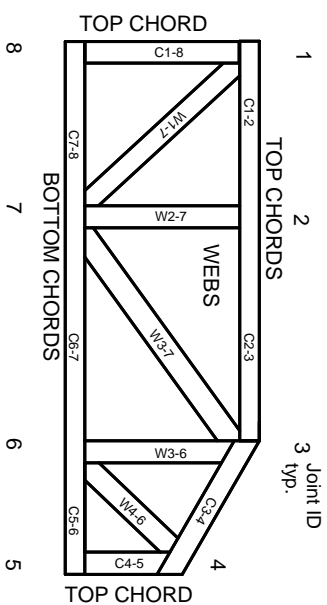


Indicates location where bearings (supports) occur. Icons vary but reaction section indicates joint number/letter where bearings occur. Min size shown is for crushing only.

Industry Standards:

ANSI/TP1: National Design Specification for Metal Plate Connected Wood Truss Construction.
DSB-22: Design Standard for Bracing.
BCSI: Building Component Safety Information, Guide to Good Practice for Handling, Installing, Restraining & Bracing of Metal Plate Connected Wood Trusses.

Numbering System



JOINTS ARE GENERALLY NUMBERED/LETTERED CLOCKWISE AROUND THE TRUSS STARTING AT THE JOINT FARTHEST TO THE LEFT.

CHORDS AND WEBS ARE IDENTIFIED BY END JOINT NUMBERS/LETTERS.

Product Code Approvals

ICC-ES Reports:

ESR-1988, ESR-2362, ESR-2685, ESR-3282
ESR-4722, ESL-1388

Design General Notes

Trusses are designed for wind loads in the plane of the truss unless otherwise shown.

Lumber design values are in accordance with ANSI/TP1 section 6.3. These truss designs rely on Lumber values established by others.

© 2023 MITek® All Rights Reserved

General Safety Notes

Failure to Follow Could Cause Property Damage or Personal Injury

1. Additional stability/bracing for truss system, e.g. diagonal or X-bracing, is always required. See BCSI.
2. Truss bracing must be designed by an engineer. For wide truss spacing, individual lateral braces themselves may require bracing, or alternative Tor I bracing should be considered.
3. Never exceed the design loading shown and never stack materials on inadequately braced trusses.
4. Provide copies of this truss design to the building designer, erection supervisor, property owner and all other interested parties.
5. Cut members to bear tightly against each other.
6. Place plates on each face of truss at each joint and embed fully. Knots and wane at joint locations are regulated by ANSI/TP1 1.
7. Design assumes trusses will be suitably protected from the environment in accord with ANSI/TP1 1.
8. Unless otherwise noted, moisture content of lumber shall not exceed 19% at time of fabrication.
9. Unless expressly noted, this design is not applicable for use with fire retardant, preservative treated, or green lumber.
10. Camber is a non-structural consideration and is the responsibility of truss fabricator. General practice is to camber for dead load deflection.
11. Plate type, size, orientation and location dimensions indicated are minimum plating requirements.
12. Lumber used shall be of the species and size, and in all respects, equal to or better than that specified.
13. Top chords must be sheathed or purlins provided at spacing indicated on design.
14. Bottom chords require lateral bracing at 10 ft. spacing, or less, if no ceiling is installed, unless otherwise noted.
15. Connections not shown are the responsibility of others.
16. Do not cut or alter truss member or plate without prior approval of an engineer.
17. Install and load vertically unless indicated otherwise.
18. Use of green or treated lumber may pose unacceptable environmental, health or performance risks. Consult with project engineer before use.
19. Review all portions of this design (front, back, words and pictures) before use. Reviewing pictures alone is not sufficient.
20. Design assumes manufacture in accordance with ANSI/TP1 1 Quality Criteria.
21. The design does not take into account any dynamic or other loads other than those expressly stated.

MITek

ENGINEERING BY
TRENGO
A MITek Affiliate

MITek Engineering Reference Sheet: MIL-7473 rev. 1/2/2023