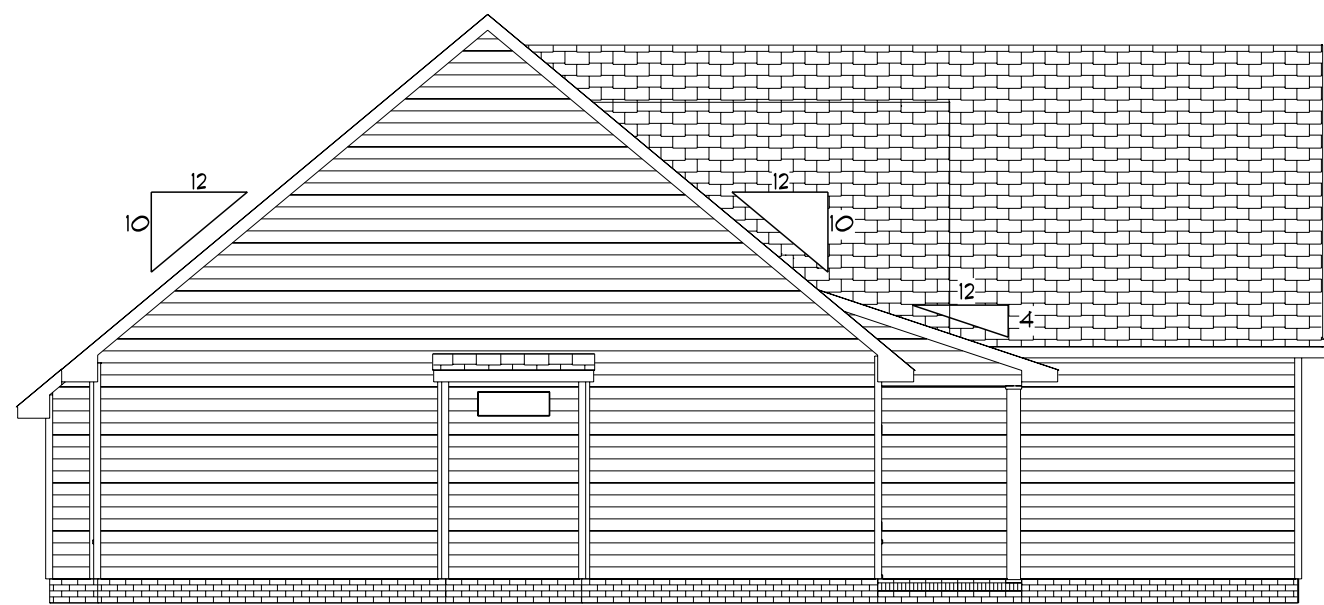




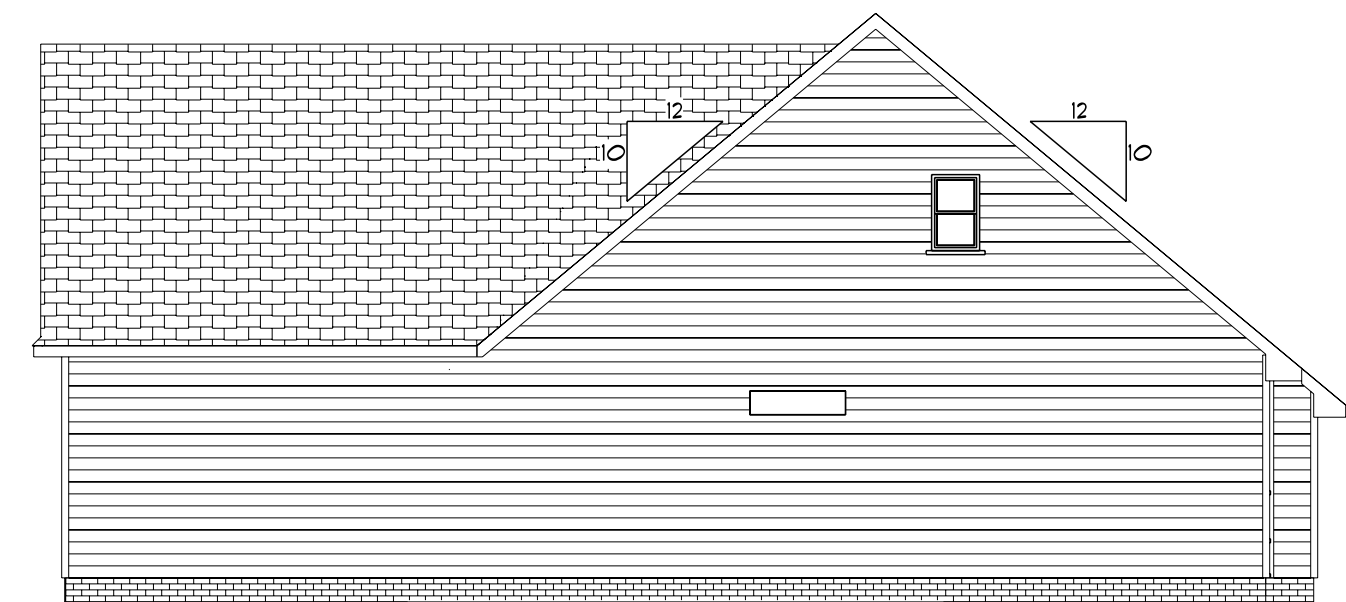
Front Elevation
Scale: 1/4" = 1'0"



Rear Elevation
Scale: 1/8" = 1'0"



Left Elevation
Scale: 1/8" = 1'0"



Right Elevation
Scale: 1/8" = 1'0"

DATE: 1/5/2024

REVISED

DRAWING#

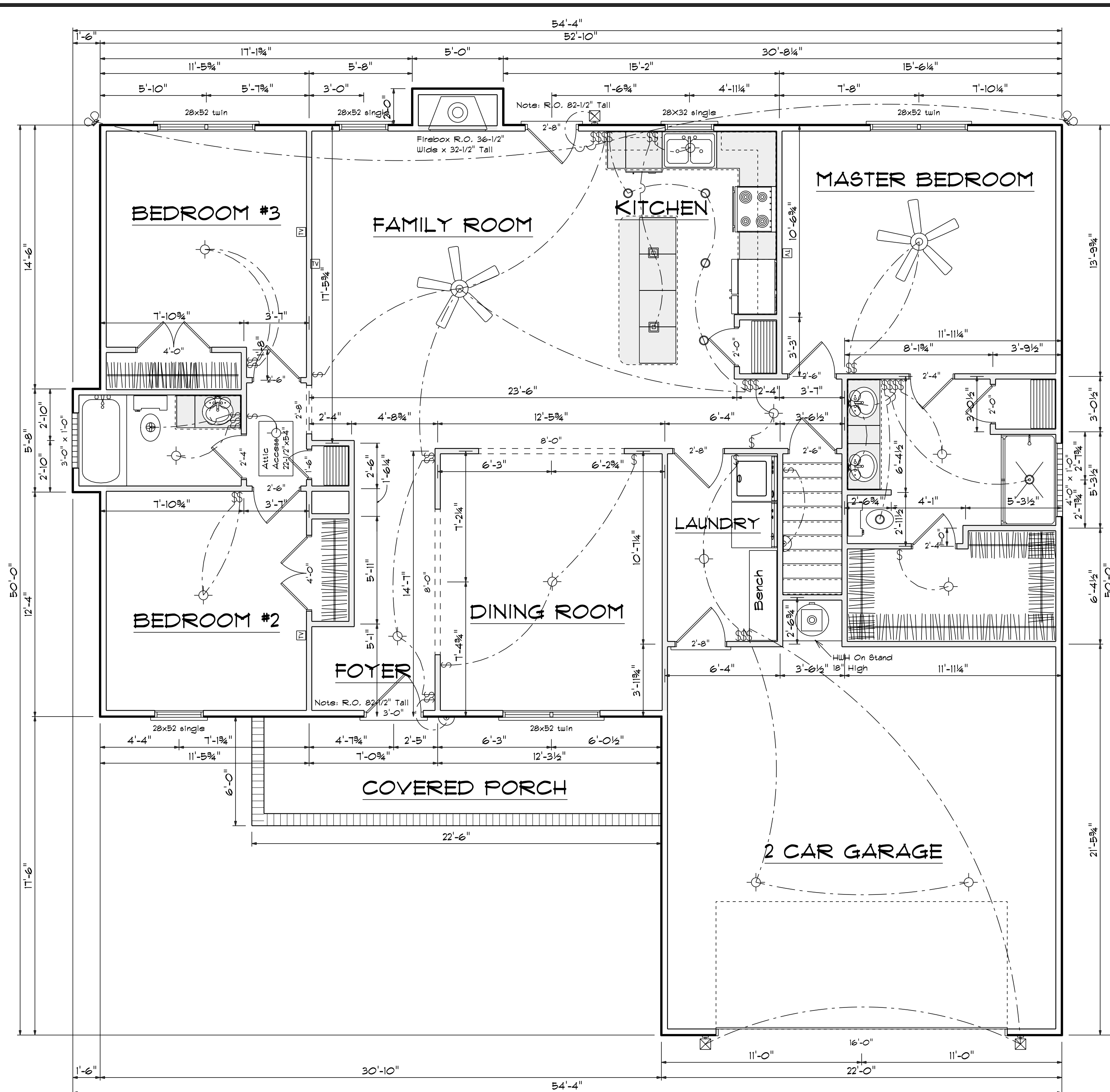
SCALE: 1/4"

DRAWN BY

APPROVED

Plan #1

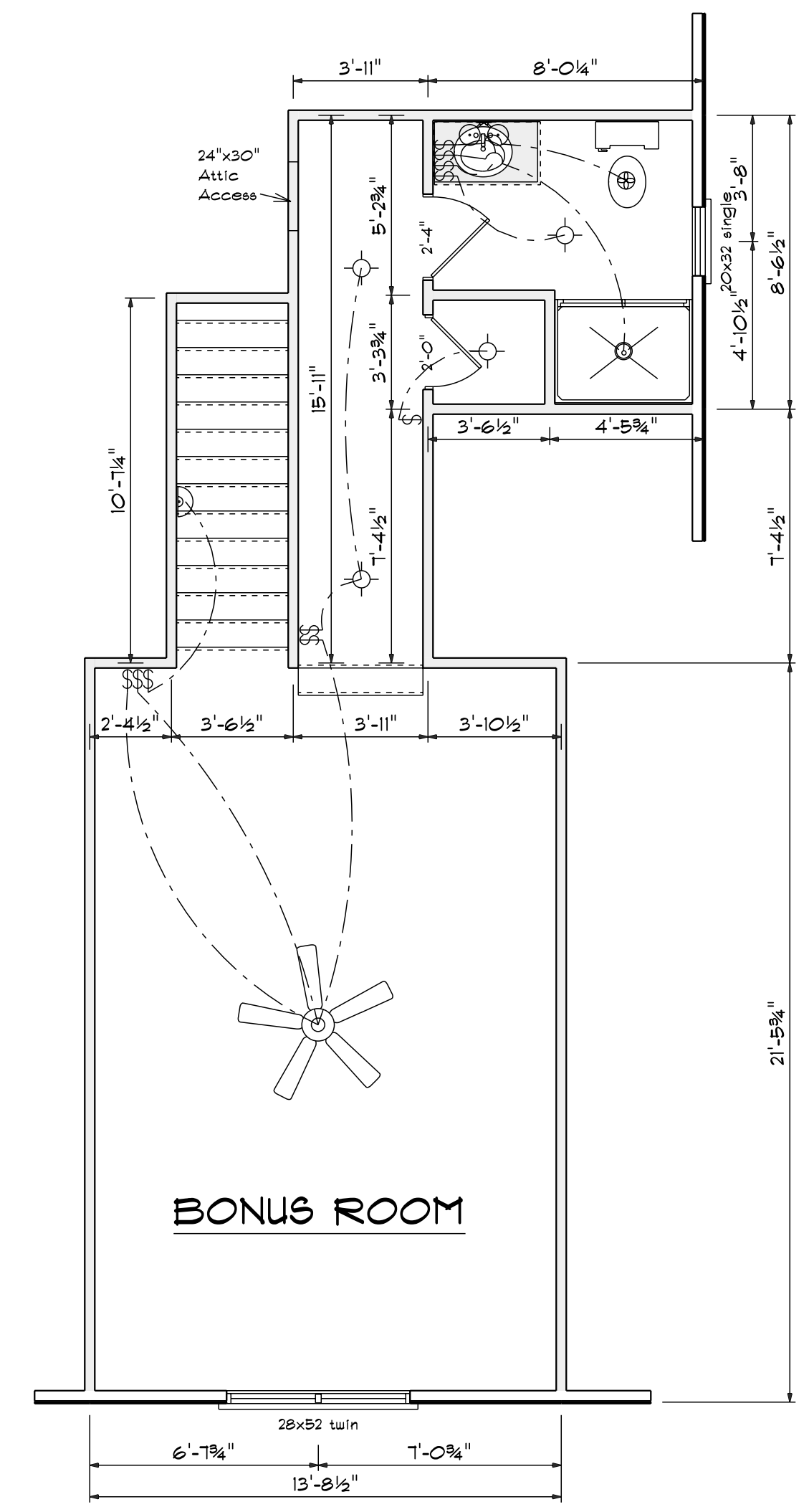




First Floor Plan
Scale: 1/4" = 1'-0"

Areas

Main Floor	1650
Bonus Room	445
<hr/>	
Total Heated	2095
Garage	479
Front Porch	146

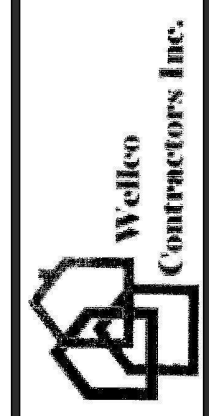


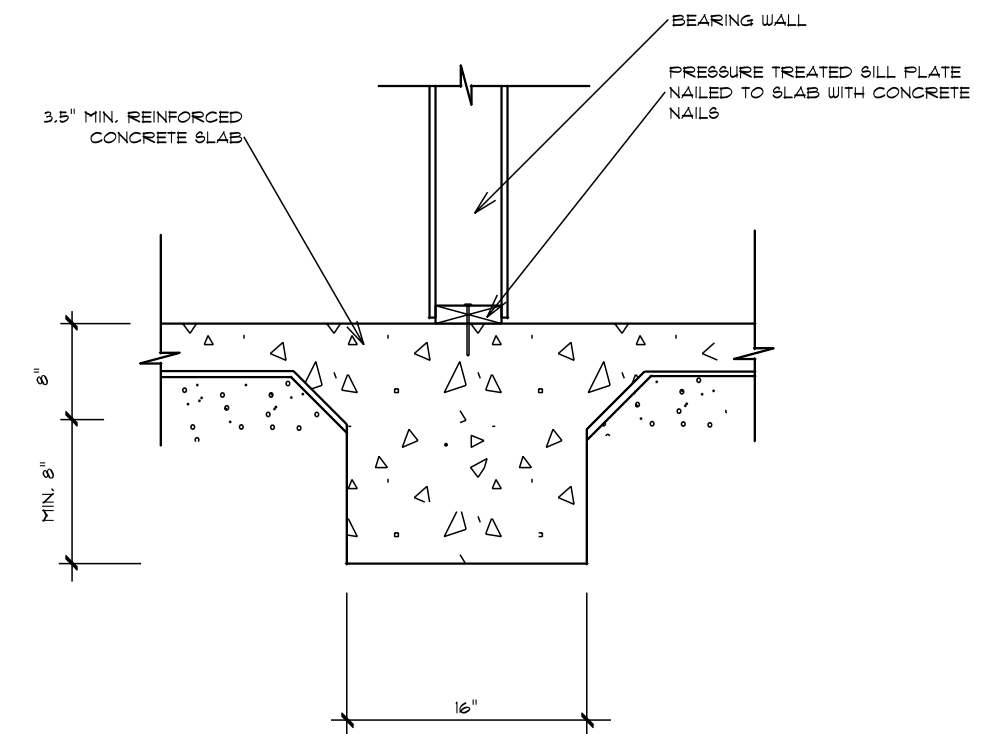
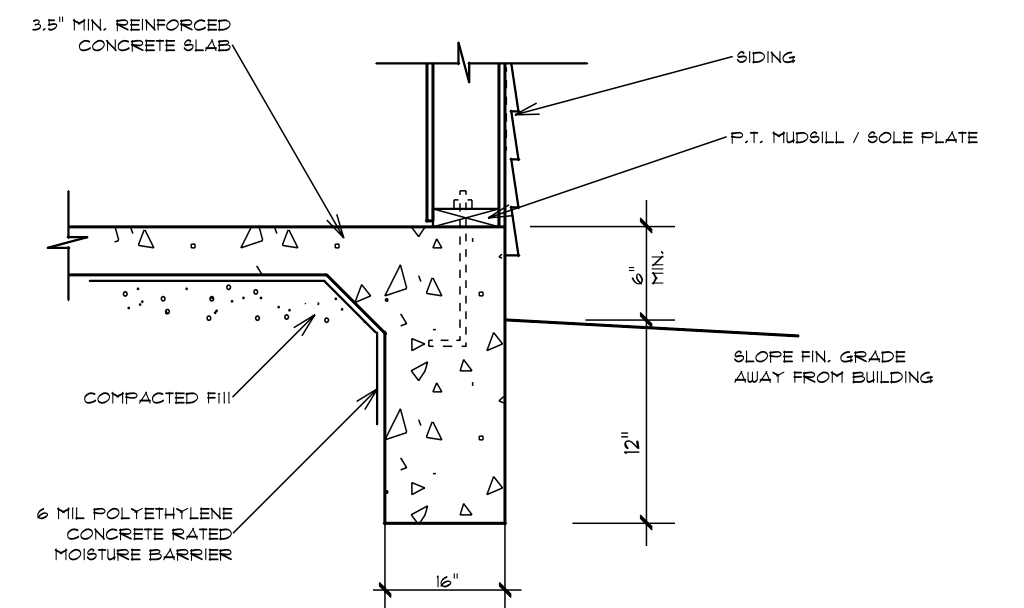
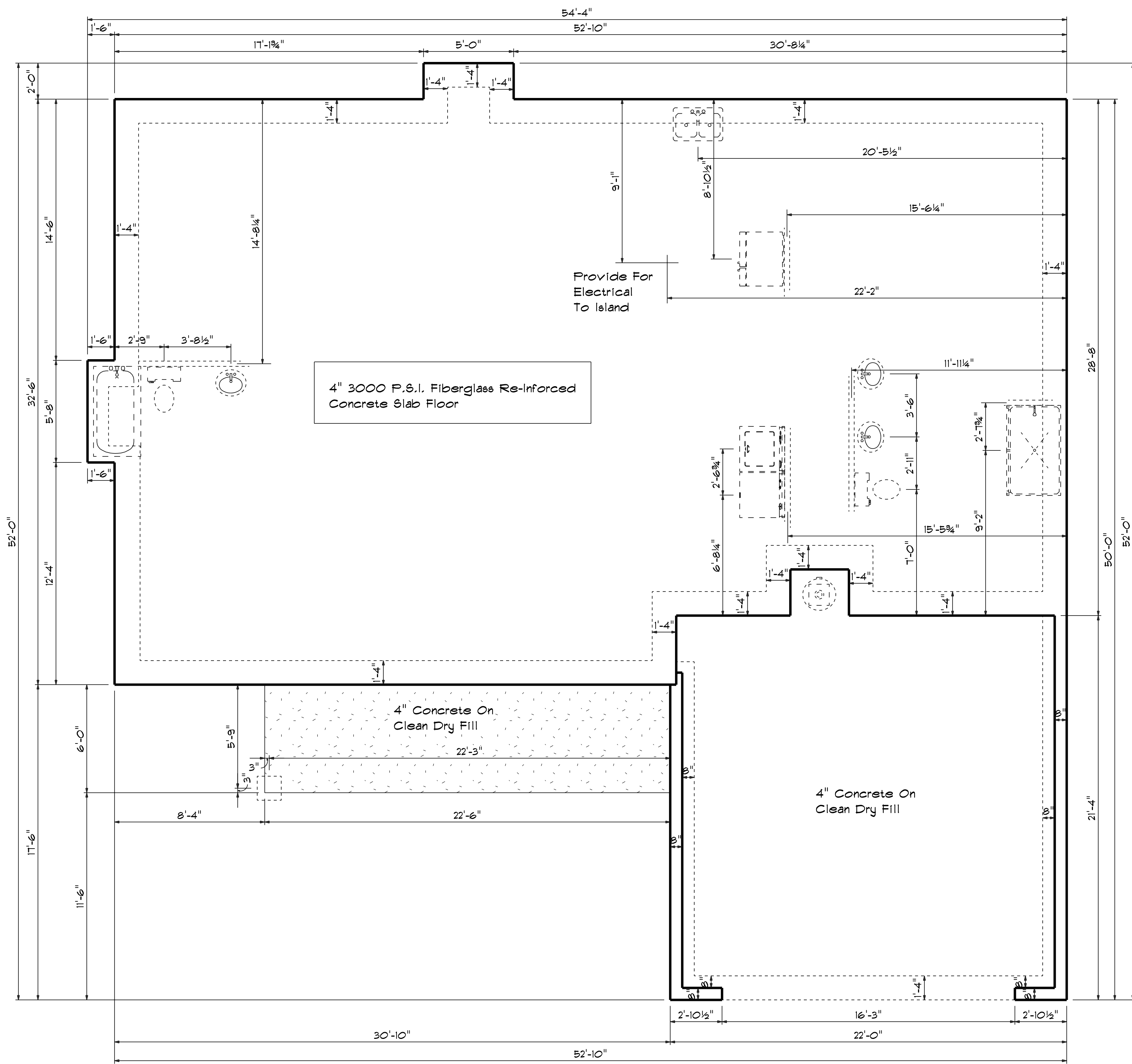
Bonus Room Plan
Scale: 1/4" = 1'-0"

DATE: 1/5/2024
REVISED
DRAWING#

SCALE: 1/4"
DRAWN BY
APPROVED

Plan #1





OPENING SCHEDULE				
PRODUCT CODE	SIZE	HINGE	REVERSED	COUNT
36X80 COLONIAL A 1	3'-0"	L	NO	1
32X80 FRENCH A 1	2'-8"	R	NO	1
192X84 - 1 PANEL GARAGE DOOR	16'-0"	U	NO	1
1-6 Door Unit	1'-6"	L	NO	1
2-0 Door Unit	2'-0"	R	NO	1
2-0 Door Unit	2'-0"	L	NO	1
2-4 Door Unit	2'-4"	L	NO	3
2-6 Door Unit	2'-6"	R	NO	2
2-6 Door Unit	2'-6"	L	NO	2
2-8 Door Unit	2'-8"	L	NO	1
2-8 Door Unit	2'-8"	R	NO	1
4-0 Doublehung Door Unit	4'-0"	LR	NO	2
28X32 single	2'-8" x 3'-2"	N	NA	1
28x52 single	2'-8" x 5'-2"	N	NA	2
28x52 twin	5'-4" x 5'-2"	NN	NA	3
4X8 GLASS BLOCK	3'-0" x 1'-0"	N	NA	1
4X8 GLASS BLOCK	4'-0" x 1'-0"	N	NA	1

Foundation Plan

Scale: 1/4" = 1'-0"

DATE: 1/5/2024

REVISED

DRAWING#

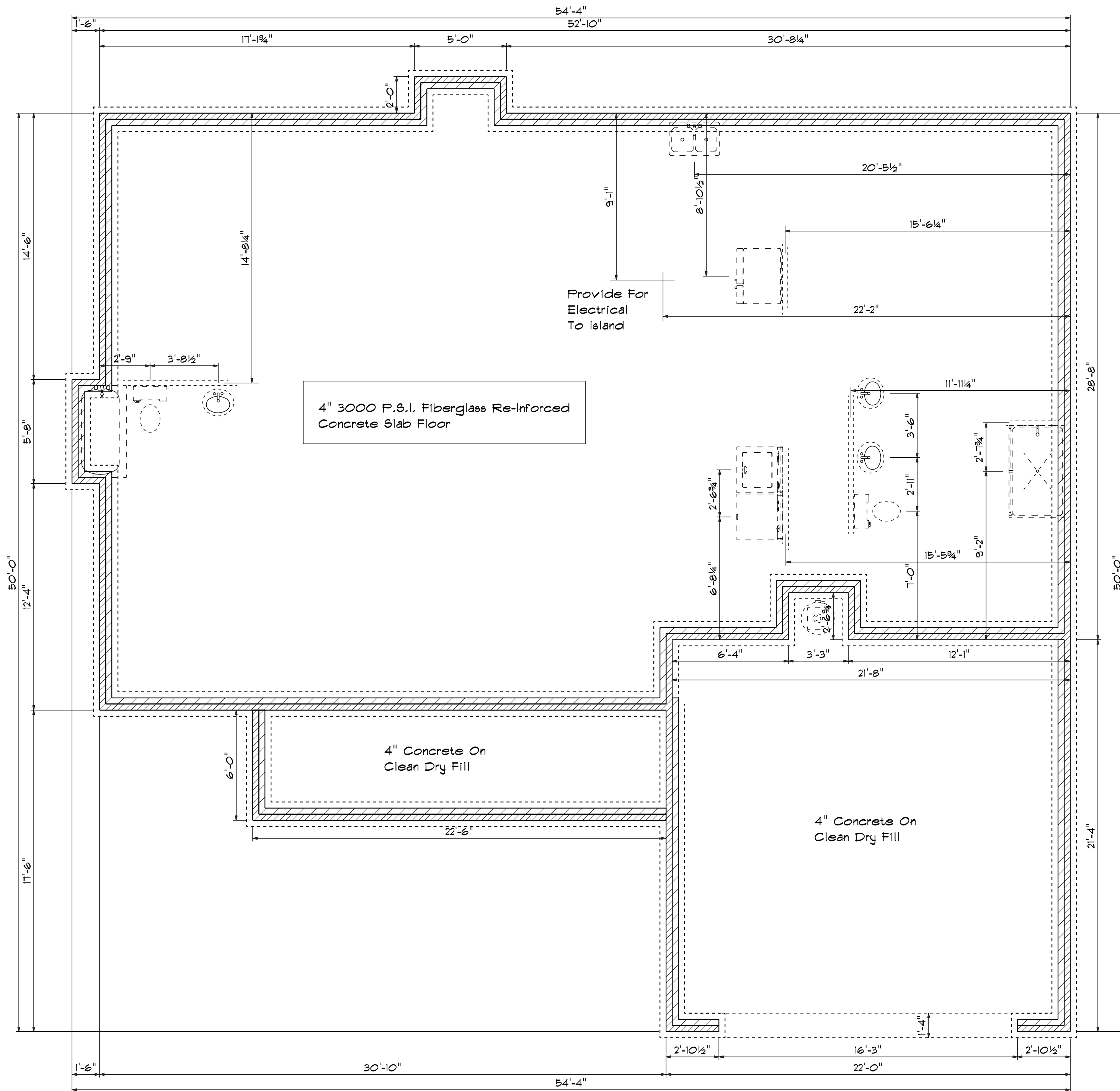
SCALE: 1/4"

DRAWN BY

APPROVED

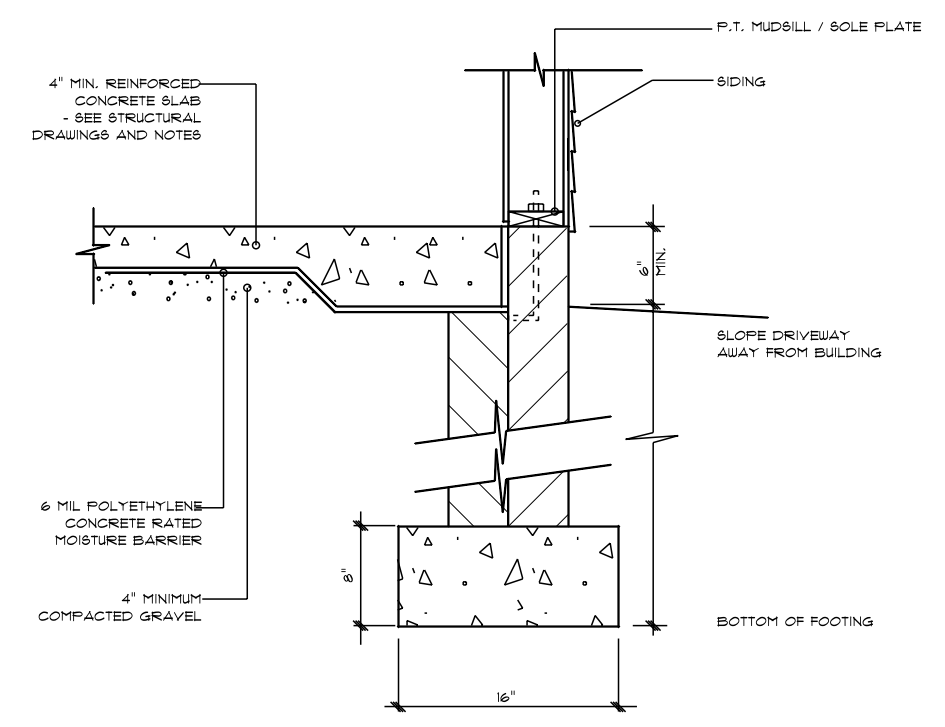
Plan #1





Foundation Plan

Scale: 1/4" = 1'-0"



STEM WALL FOOTING DETAIL

OPENING SCHEDULE				
PRODUCT CODE	SIZE	HINGE	REVERSED	COUNT
36X80 COLONIAL A 1	3'-0"	L	NO	1
32X80 FRENCH A 1	2'-8"	R	NO	1
192X84 - 1 PANEL GARAGE DOOR	16'-0"	U	NO	1
1-6 Door Unit	1'-6"	L	NO	1
2-0 Door Unit	2'-0"	R	NO	1
2-0 Door Unit	2'-0"	L	NO	1
2-4 Door Unit	2'-4"	L	NO	3
2-6 Door Unit	2'-6"	R	NO	2
2-6 Door Unit	2'-6"	L	NO	2
2-8 Door Unit	2'-8"	L	NO	1
2-8 Door Unit	2'-8"	R	NO	1
4-0 Doublehung Door Unit	4'-0"	LR	NO	2
28X32 single	2'-8" x 3'-2"	N	NA	1
28X52 single	2'-8" x 5'-2"	N	NA	2
28X52 twin	5'-4" x 5'-2"	NN	NA	3
4X8 GLASS BLOCK	3'-0" x 1'-0"	N	NA	1
4X8 GLASS BLOCK	4'-0" x 1'-0"	N	NA	1

DATE: 1/5/2024
 REVISIONS
 DRAWING#

SCALE: 1/4"
 DRAWN BY
 APPROVED