

REVISION LOG	
REVISION:001	DATE: 10-19-23
1. MOVED THE FRONT KNEEWALL INSIDE 1'-0" REDUCING THE SQUARE FOOTAGE. SQUARE FOOTAGE REVISED.	
REVISION:002	DATE: 9-10-24
1. MADE WALK THROUGH REVISIONS	
2. ADD ELECTRICAL PLANS	

Lot 152 DC  
528 Duncan Creek Road, Lillington, NC 27546

# The Guilford Georgian - RH

9-12-24 - Redlines - JJ

Trademark Series

9-19-24 - Replace Sealed Sheets with correct seals.- JJ



ARCHITECTURAL DRAWINGS	
Sheet No.	Sheet Description
0.0	Cover Sheet
1.0	Foundation (Slab)
1.0.1	Foundation (Crawl)
2.0	First Floor Plan
2.1	First Floor Plan Options
2.2	Second Floor Plan
2.3	Optional Second Floor Plan
3.0	Front & Rear Elevations (Slab)
3.0.1	Front & Rear Elevations (Crawl)
3.1	Side Elevations (Slab)
3.1.1	Side Elevations (Crawl)
3.2	Elevation Options (Slab)
3.2.1	Elevation Options (Crawl)
3.3	Elevation Options (Slab)
3.3.1	Elevation Options (Crawl)
4.0	Roof Plan
5.0	First Floor Electrical
5.01	First Floor Options Electrical
5.1	Second Floor Electrical



SQUARE FOOTAGE		
	'GEORGIAN' ELEVATION	
	UNHEATED	HEATED
FIRST FLOOR	0	1536
SECOND FLOOR	0	881
FRONT PORCH	37	0
EQUIPMENT ROOM	61	0
<del>REAR PATIO/DECK</del>	<del>144</del>	<del>0</del>
2 CAR GARAGE	394	0
SUBTOTALS	<del>636</del>	<del>2417</del>
TOTAL UNDER ROOF		<del>3653</del>

2561 heated  
685 unheated

OPTIONS		
	UNHEATED S.F.	HEATED S.F.
OPTIONAL CAFE/OFFICE	0	+144
OPTIONAL REAR COV. PATIO/DECK W/ OPT. CAFE/OFFICE	+193	0
<del>ALTERNATE SECOND FLOOR</del>	<del>-102</del>	<del>+169</del>
<del>ALT. 2ND FL POCKET OFFICE</del>	<del>-70</del>	<del>+70</del>

### DESIGN CRITERIA:

THIS PLAN IS TO BE BUILT IN CONFORMANCE WITH THE 2018 NORTH CAROLINA STATE BUILDING CODE: RESIDENTIAL CODE

DIMENSIONS SHALL GOVERN OVER SCALE, AND CODE SHALL GOVERN OVER DIMENSIONS.



REV.#	DESCRIPTION	DATE
1		
2		
3		
4		
5		
6		
7		
8		

THE GUILFORD - RH

Cover - Georgian

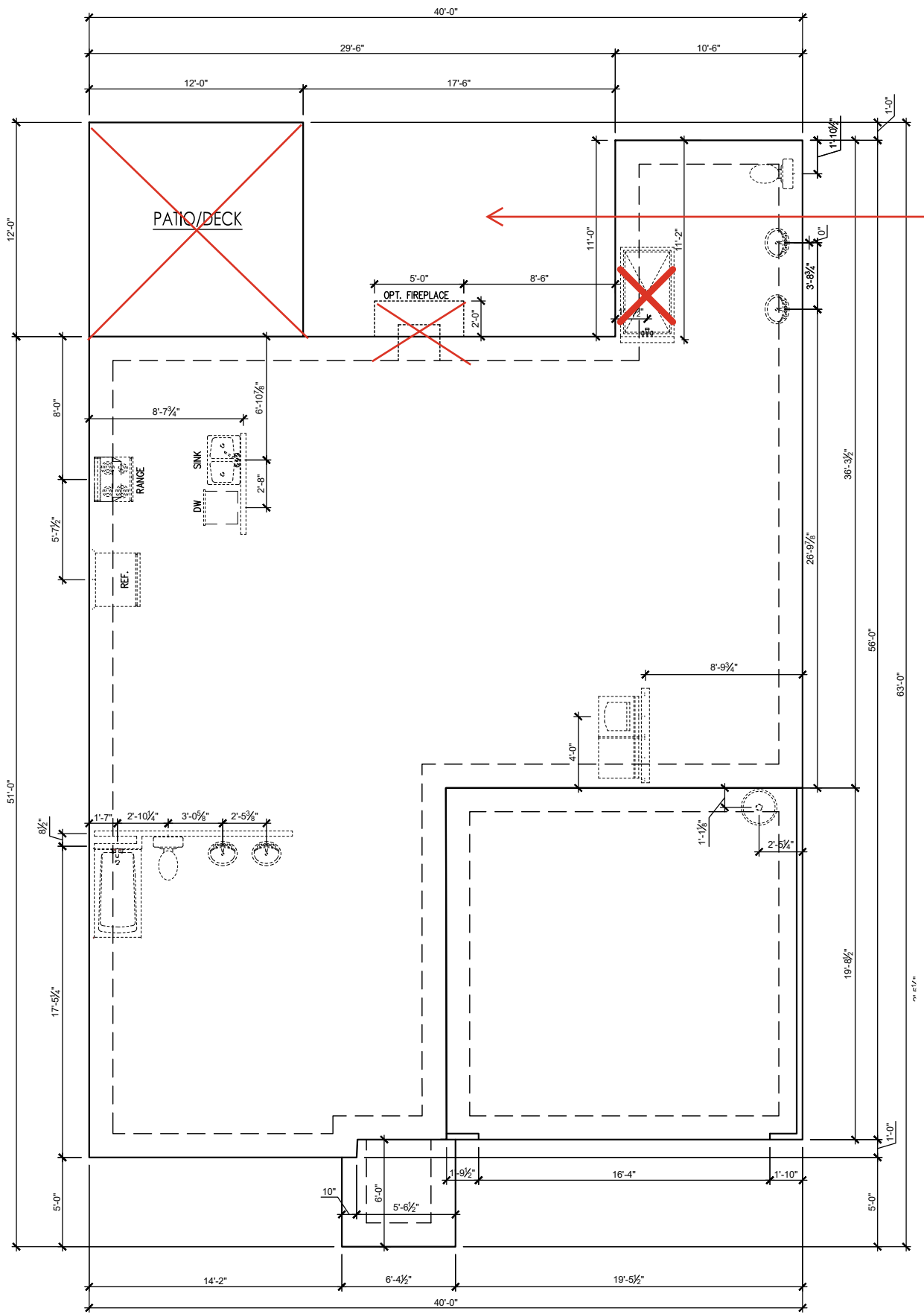
DRAWN BY:  
New Home Inc. - Jennifer Jones

ISSUE DATE:  
07-25-2023

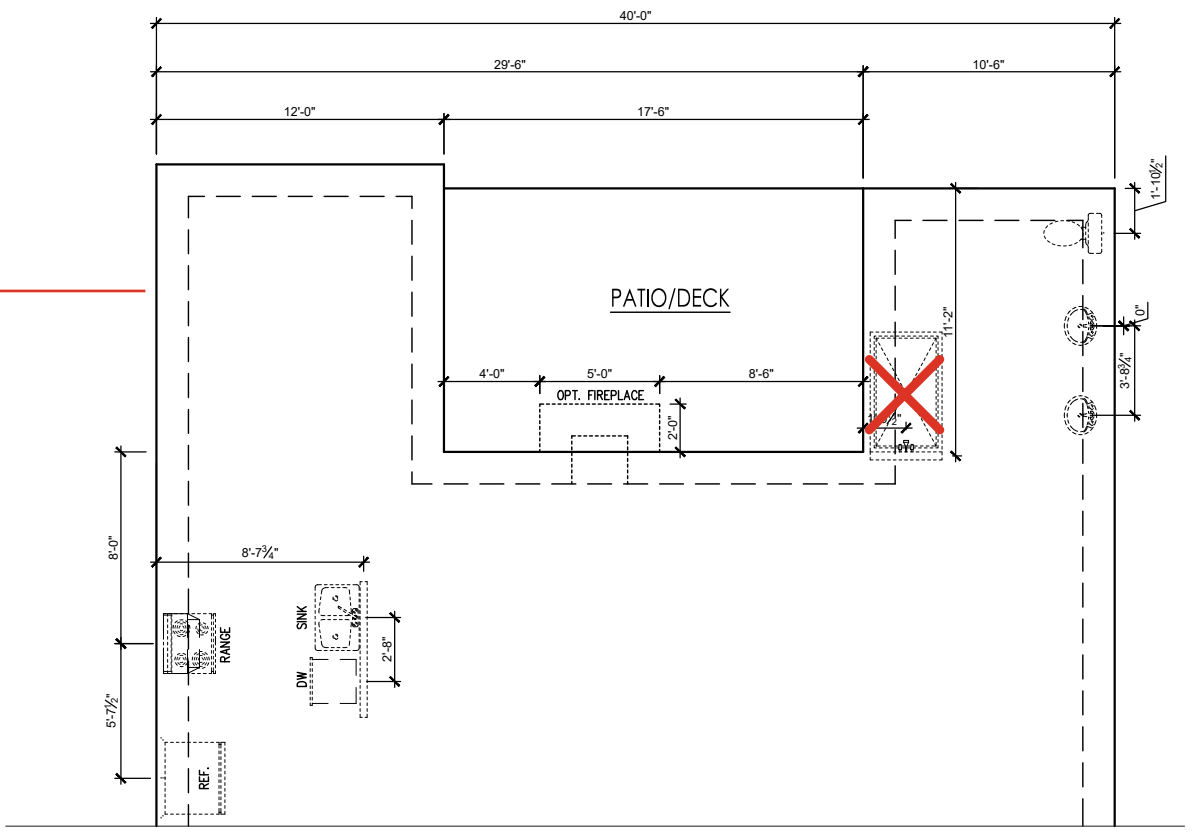
CURRENT REVISION DATE:

SCALE:  
1/8" = 1'-0"

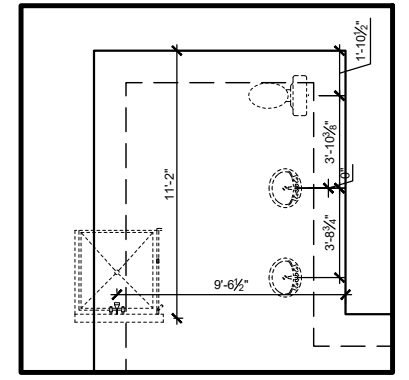
SHEET  
0.0



**FOUNDATION- SLAB**  
SCALE: 1/4" = 1'-0" ON 22x34, 1/8" = 1'-0" ON 11x17



**OPTIONAL CAFE FOUNDATION - SLAB**  
SCALE: 1/4" = 1'-0" ON 22x34, 1/8" = 1'-0" ON 11x17



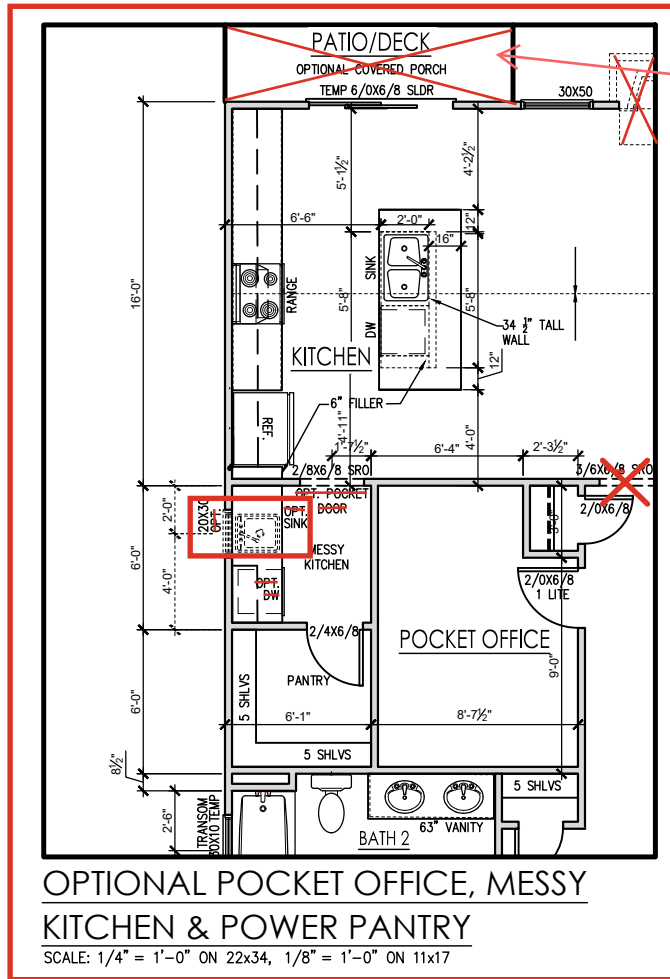
**OWNER'S SUITE BATH  
W/ SHOWER W/ SEAT OPTION**  
SCALE: 1/4" = 1'-0" ON 22x34, 1/8" = 1'-0" ON 11x17

REV.#	DESCRIPTION	DATE
1		
2		
3		
4		
5		
6		
7		
8		

**THE GUILFORD - RH**  
Slab Foundation

DRAWN BY:  
New Home Inc. - Jennifer Jones  
ISSUE DATE:  
07-25-2023  
CURRENT REVISION DATE:  
SCALE:  
1/8" = 1'-0"  
SHEET  
**1.0**





extended cafe sheet 2.0

**GENERAL FLOOR PLAN NOTES**

GENERAL FLOOR PLAN NOTES SHALL APPLY UNLESS NOTED OTHERWISE ON PLAN.

1. WALL HEIGHTS: TYPICALLY 9'-1 1/2" AT FIRST FLOOR AND SECOND FLOOR, AND 9'-1 1/2" AT ATTICS U.N.O. ALL WALLS ARE CONSTRUCTED USING A DOUBLE TOP PLATE. SPLICES AT DOUBLE TOP PLATE DO NOT NEED TO OCCUR AT VERTICAL STUDS BUT MUST BE AT LEAST 24" APART FROM JOINT IN OTHER TOP PLATE LAYER. SPECIAL WALL HEIGHTS ARE NOTED ON PLANS WHERE THEY OCCUR.
2. WALL THICKNESS IS TYPICALLY 3 1/2". 2X6 FRAME SHALL BE USED AT WALLS THAT BACK UP TO PLUMBING FIXTURES. WALLS GREATER THAN 10' HIGH SHALL BE FRAMED WITH 2X6 FRAMING OR GREATER AND WILL BE NOTED AS A SPECIAL CONDITION WHERE IT OCCURS ON PLAN.
3. TYPICAL HEADER HEIGHT SHALL BE 7'-8" AFF AT FIRST FLOOR, AND 7'-4" AFF AT SECOND FLOOR U.N.O.
4. JACKS: OPENINGS UP TO 3'-4" WIDE SHALL HAVE (1) 2X4 JACK STUD SPF ON EACH SIDE. OPENINGS GREATER THAN 3'-4" WIDE SHALL HAVE (2) 2X4 JACK STUDS SPF ON EACH SIDE.
5. SOFFITS, COFFERED CEILINGS, TREY CEILINGS AND OTHER SIGNIFICANT CEILING PLAN ELEMENTS ARE SHOWN ON THE FLOOR PLANS AND ARE DENOTED AS SINGLE DASHED LINES. UNLESS SPECIFICALLY CALL OUT AS INCLUDED, KITCHENS DO NOT INCLUDE SOFFITS OVER WALL CABINETRY.
6. DOOR AND WINDOW FRAMES, WHERE OCCURRING NEAR CORNERS, SHALL BE A MINIMUM OF 4 1/2" FROM CORNER. EXCEPT FOR WALK-IN CLOSETS WITH DOORS NEAR A CORNER, DOORS AT CLOSETS SHALL BE CENTERED ON CLOSET.
7. WINDOWS: SHALL HAVE AT LEAST (1) WINDOW IN EACH SLEEPING ROOM, THAT MEETS EGRESS. SHALL BE PROVIDED WITH TEMPERED GLASS AT HAZARDOUS GLAZING AREAS. FALSE WINDOWS SHALL BE INSTALLED WITH OBSCURE GLAZING.
8. CLOSETS FOR CLOTHING OR COAT STORAGE SHALL BE EQUIPPED WITH 1 ROD/SHELF. CLOSETS FOR LINEN SHALL HAVE 4 OPEN EQUAL SHELVES. CLOSETS FOR PANTRIES SHALL HAVE 4 EQUAL WOOD SHELVES, PAINTED.
9. STAIR TREADS SHALL BE A MIN OF 9" DEEP, RISERS SHALL BE A MAXIMUM OF 8 1/4", UNLESS NOTED OTHERWISE, PER THE CURRENT NORTH CAROLINA RESIDENTIAL CODE
10. HANDRAILS AND GUARDS AT STAIRS SHALL BE 34" ABOVE THE FINISHED SURFACE OF THE RAMP SURFACE OF THE STAIR. HANDRAILS AT LANDINGS AND OVERLOOKS OF MULTILEVEL SPACES SHALL BE 36" ABOVE FINISHED FLOOR. GUARDS (PICKETS OR BALUSTERS) SHALL BE SPACED WITH NO MORE THAN 4" BETWEEN GUARDS.
11. ATTIC ACCESS SHALL BE PROVIDED AT ALL ATTIC AREA WITH A HEIGHT GREATER THAN 30". MINIMUM CLEAR ATTIC ACCESS SHALL BE 20" X 30". PULL DOWN STAIRS AND ACCESS DOORS IN KNEE WALLS MEETING MINIMUM CRITERIA ARE ALSO ACCEPTABLE.
12. GARAGE DOOR TO LIVING SPACE SHALL BE 2'-6" X 6'-6" MINIMUM SIZE AND SHALL BE 20 MINUTE FIRE RATED AND WEATHER SEALED.
13. GARAGE WALLS, AS A MINIMUM, SHALL BE SEPARATED FROM LIVING SPACE BY INSTALLING 1/2" GYPSUM BOARD ON THE GARAGE SIDE OF THE WALL. WITH HABITABLE SPACE ABOVE, THE INSIDE OF ALL GARAGE WALLS REQUIRE 1/2" GWB SUPPORTING 5/8" TYPE "X" GWB ON CEILING.

REV.#	DESCRIPTION	DATE
1		
2		
3		
4		
5		
6		
7		
8		

**THE GUILFORD - RH**

First Floor Options

DRAWN BY:  
New Home Inc. - Jennifer Jones

ISSUE DATE:  
07-25-2023

CURRENT REVISION DATE:

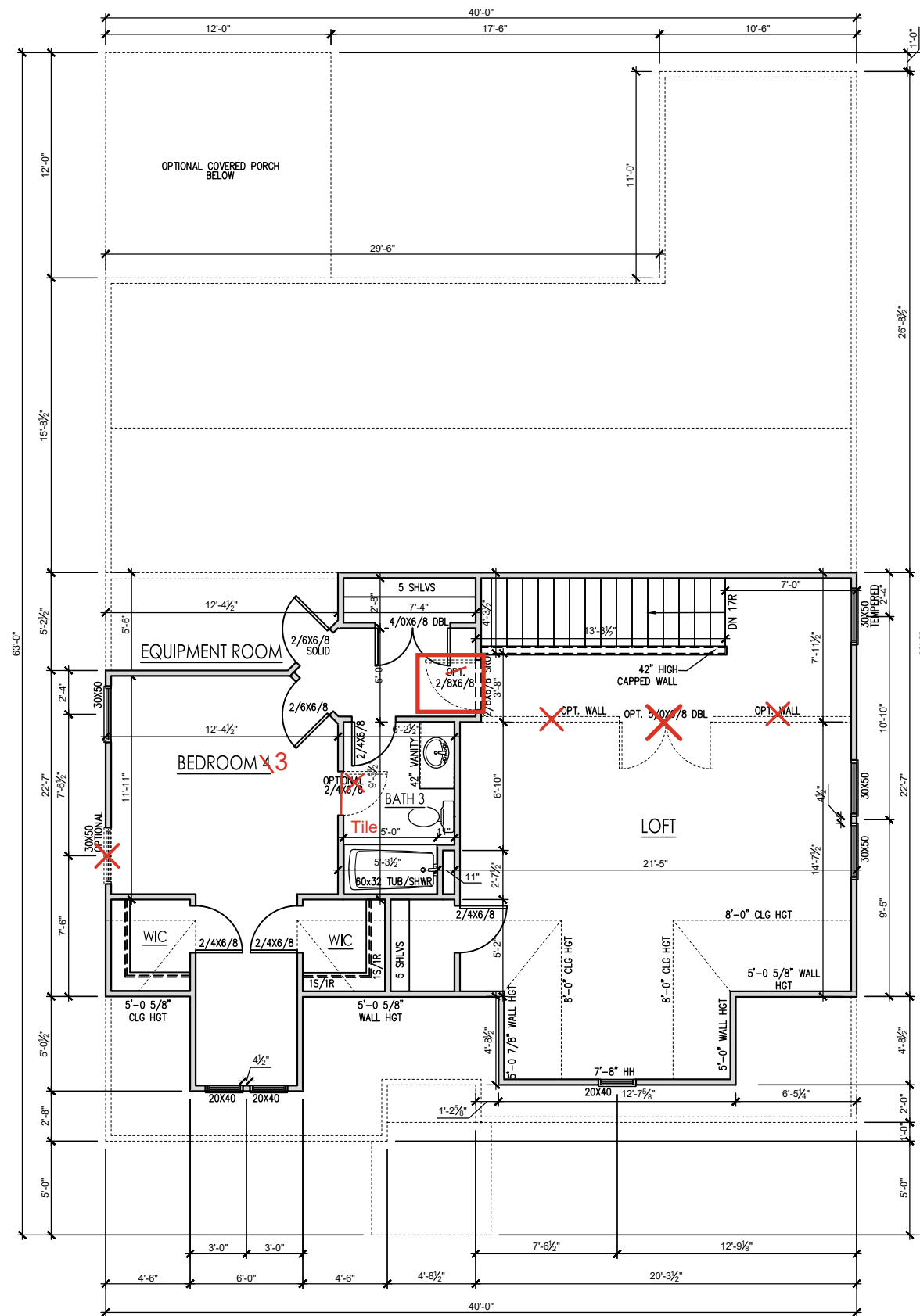
SCALE:  
1/8" = 1'-0"

SHEET  
**2.1**

**GENERAL FLOOR PLAN NOTES**

GENERAL FLOOR PLAN NOTES SHALL APPLY UNLESS NOTED OTHERWISE ON PLAN.

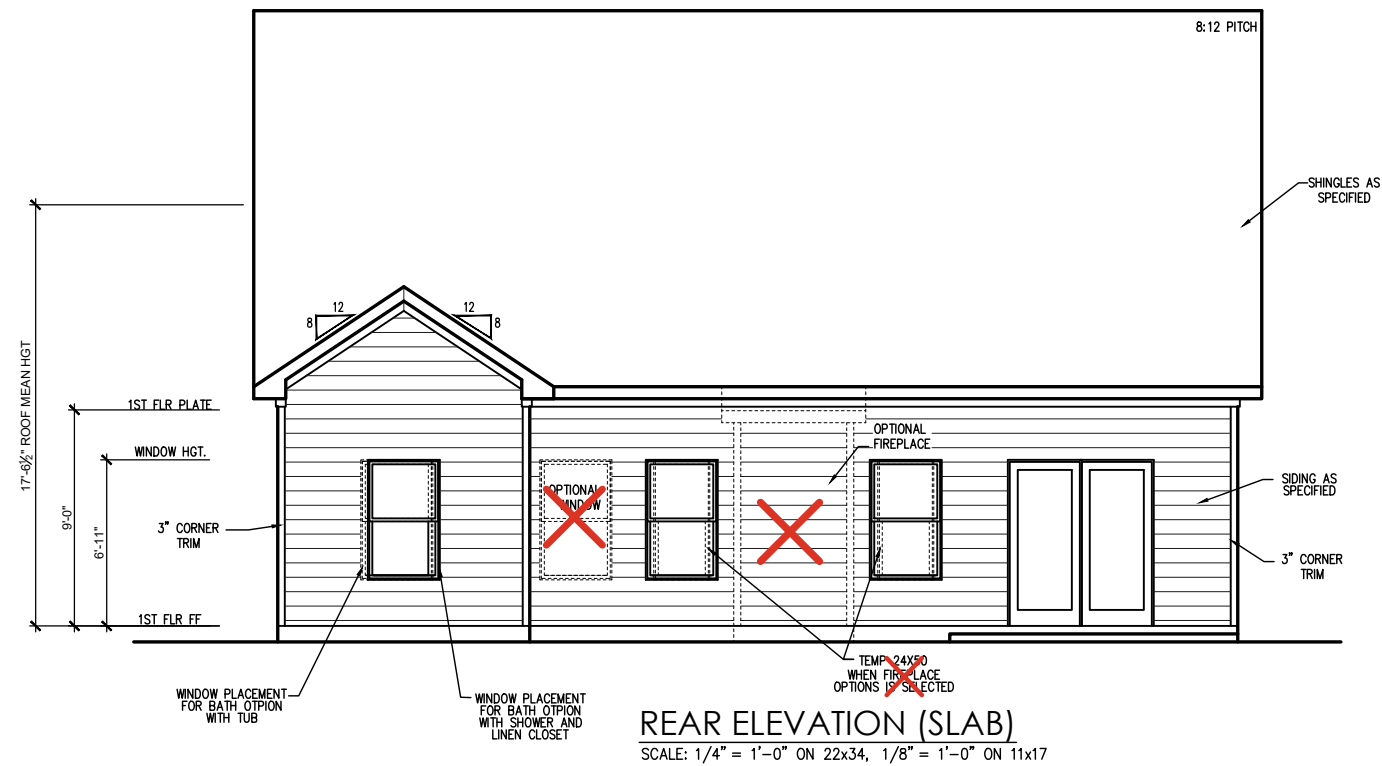
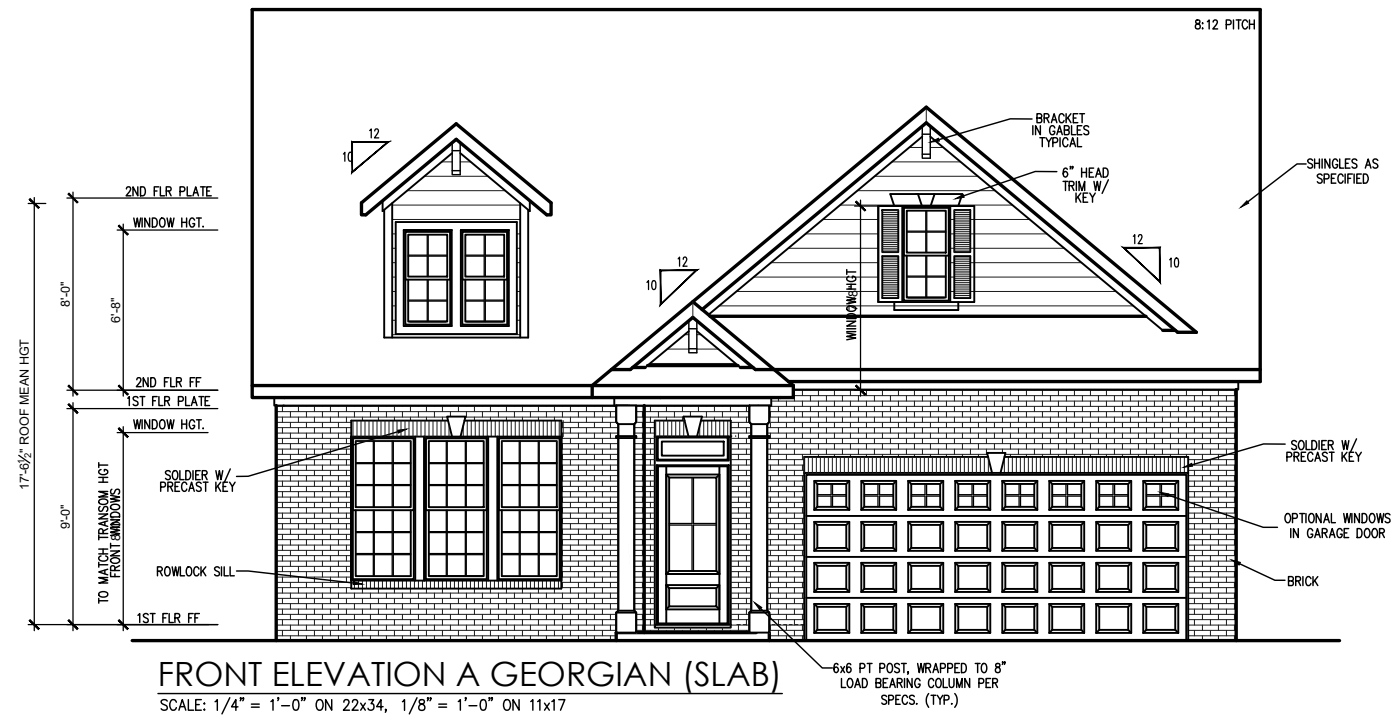
1. WALL HEIGHTS: TYPICALLY 9'-1 1/2" AT FIRST FLOOR AND SECOND FLOOR, AND 9'-1 1/2" AT ATTICS U.N.O. ALL WALLS ARE CONSTRUCTED USING A DOUBLE TOP PLATE. SPLICES AT DOUBLE TOP PLATE DO NOT NEED TO OCCUR AT VERTICAL STUDS BUT MUST BE AT LEAST 24" APART FROM JOINT IN OTHER TOP PLATE LAYER. SPECIAL WALL HEIGHTS ARE NOTED ON PLANS WHERE THEY OCCUR.
2. WALL THICKNESS IS TYPICALLY 3 1/2". 2X6 FRAME SHALL BE USED AT WALLS THAT BACK UP TO PLUMBING FIXTURES. WALLS GREATER THAN 10' HIGH SHALL BE FRAMED WITH 2X6 FRAMING OR GREATER AND WILL BE NOTED AS A SPECIAL CONDITION WHERE IT OCCURS ON PLAN.
3. TYPICAL HEADER HEIGHT SHALL BE 7'-8" AFF AT FIRST FLOOR, AND 7'-4" AFF AT SECOND FLOOR U.N.O.
4. JACKS: OPENINGS UP TO 3'-4" WIDE SHALL HAVE (1) 2X4 JACK STUD SPFF ON EACH SIDE. OPENINGS GREATER THAN 3'-4" WIDE SHALL HAVE (2) 2X4 JACK STUDS SPFF ON EACH SIDE.
5. SOFFITS, COFFERED CEILINGS, TREY CEILINGS AND OTHER SIGNIFICANT CEILING PLAN ELEMENTS ARE SHOWN ON THE FLOOR PLANS AND ARE DENOTED AS SINGLE DASHED LINES. UNLESS SPECIFICALLY CALL OUT AS INCLUDED, KITCHENS DO NOT INCLUDE SOFFITS OVER WALL CABINETS.
6. DOOR AND WINDOW FRAMES, WHERE OCCURRING NEAR CORNERS, SHALL BE A MINIMUM OF 4 1/2" FROM CORNER. EXCEPT FOR WALK-IN CLOSETS WITH DOORS NEAR A CORNER, DOORS AT CLOSETS SHALL BE CENTERED ON CLOSET.
7. WINDOWS: SHALL HAVE AT LEAST (1) WINDOW IN EACH SLEEPING ROOM, THAT MEETS EGRESS. SHALL BE PROVIDED WITH TEMPERED GLASS AT HAZARDOUS GLAZING AREAS. FALSE WINDOWS SHALL BE INSTALLED WITH OBSCURE GLAZING.
8. CLOSETS FOR CLOTHING OR COAT STORAGE SHALL BE EQUIPPED WITH 1 ROD/SHELF. CLOSETS FOR LINEN SHALL HAVE 4 OPEN EQUAL SHELVES. CLOSETS FOR PANTRIES SHALL HAVE 4 EQUAL WOOD SHELVES, PAINTED.
9. STAIR TREADS SHALL BE A MIN OF 9" DEEP, RISERS SHALL BE A MAXIMUM OF 8 1/4", UNLESS NOTED OTHERWISE, PER THE CURRENT NORTH CAROLINA RESIDENTIAL CODE
10. HANDRAILS AND GUARDS AT STAIRS SHALL BE 34" ABOVE THE FINISHED SURFACE OF THE RAMP SURFACE OF THE STAIR. HANDRAILS AT LANDINGS AND OVERLOOKS OF MULTILEVEL SPACES SHALL BE 36" ABOVE FINISHED FLOOR. GUARDS (PICKETS OR BALUSTERS) SHALL BE SPACED WITH NO MORE THAN 4" BETWEEN GUARDS.
11. ATTIC ACCESS SHALL BE PROVIDED AT ALL ATTIC AREA WITH A HEIGHT GREATER THAN 30". MINIMUM CLEAR ATTIC ACCESS SHALL BE 20" X 30". PULL DOWN STAIRS AND ACCESS DOORS IN KNEE WALLS MEETING MINIMUM CRITERIA ARE ALSO ACCEPTABLE.
12. GARAGE DOOR TO LIVING SPACE SHALL BE 2'-8" X 6'-8" MINIMUM SIZE AND SHALL BE 20 MINUTE FIRE RATED AND WEATHER SEALED.
13. GARAGE WALLS, AS A MINIMUM, SHALL BE SEPARATED FROM LIVING SPACE BY INSTALLING 1/2" GYPSUM BOARD ON THE GARAGE SIDE OF THE WALL. WITH HABITABLE SPACE ABOVE, THE INSIDE OF ALL GARAGE WALLS REQUIRE 1/2" GWB SUPPORTING 5/8" TYPE "X" GWB ON CEILING.



**SECOND FLOOR PLAN GEORGIAN**  
 SCALE: 1/4" = 1'-0" ON 22x34, 1/8" = 1'-0" ON 11x17

REV.#	DESCRIPTION	DATE
1		
2		
3		
4		
5		
6		
7		
8		

DRAWN BY: New Home Inc. - Jennifer Jones
ISSUE DATE: 07-25-2023
CURRENT REVISION DATE:
SCALE: 1/8" = 1'-0"
SHEET <b>2.2</b>

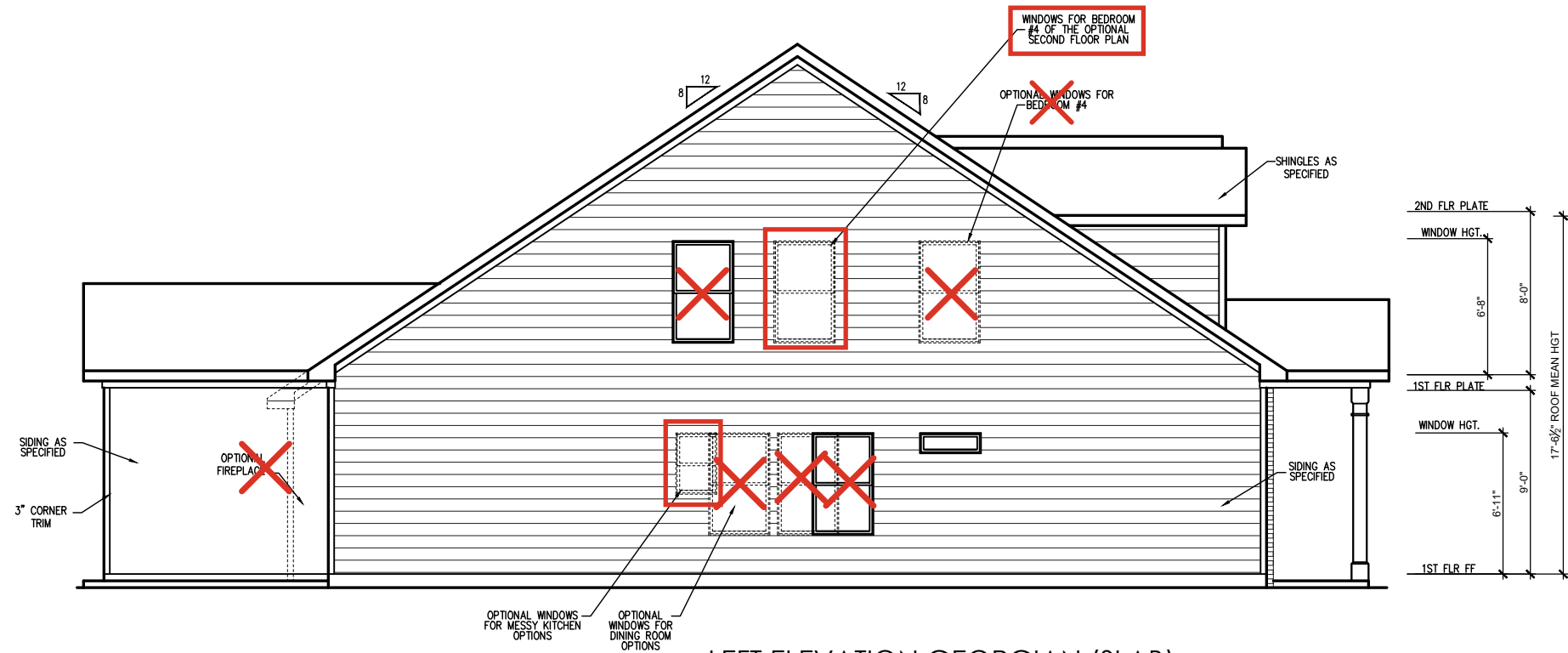


REV.#	DESCRIPTION	DATE
1		
2		
3		
4		
5		
6		
7		
8		

**THE GUILFORD - RH**  
Elevations - Traditional (Slab)

DRAWN BY:  
New Home Inc. - Jennifer Jones  
ISSUE DATE:  
07-25-2023  
CURRENT REVISION DATE:

SCALE:  
1/8" = 1'-0"  
SHEET  
**3.0**



**LEFT ELEVATION GEORGIAN (SLAB)**  
SCALE: 1/4" = 1'-0" ON 22x34, 1/8" = 1'-0" ON 11x17



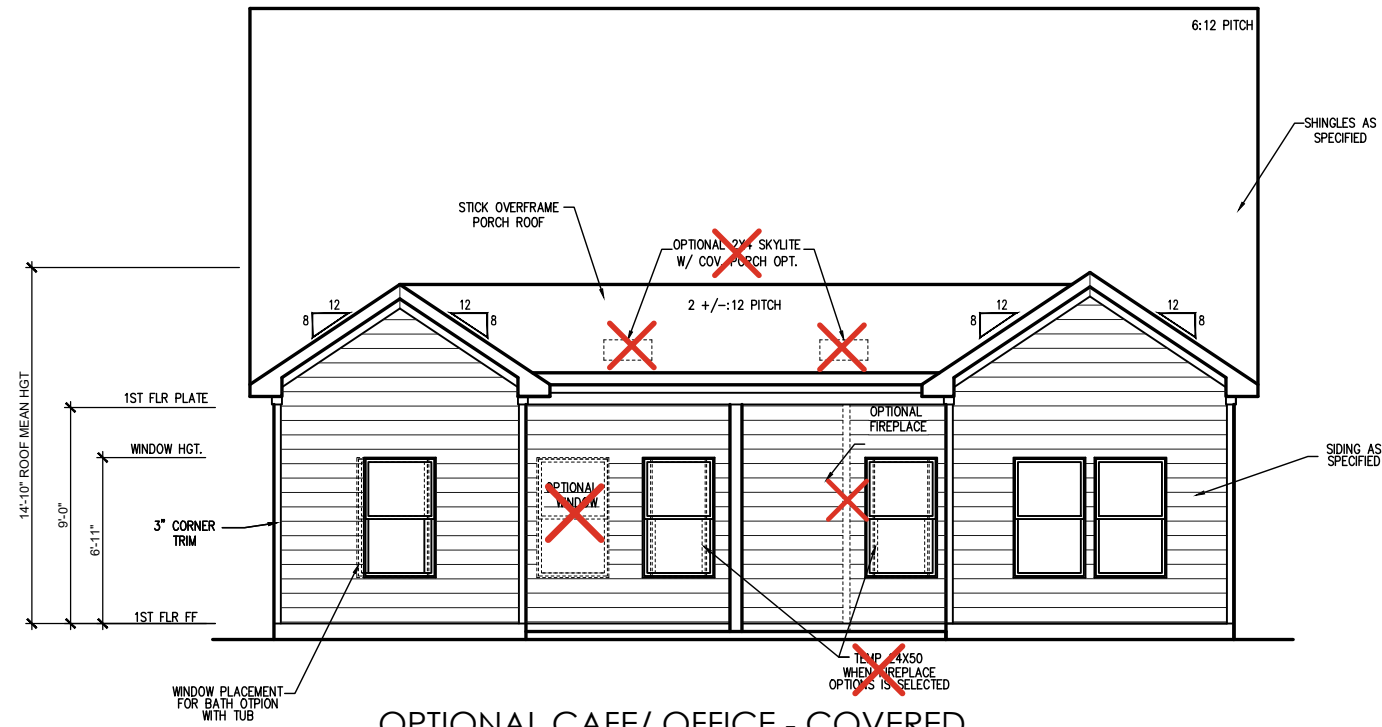
**RIGHT ELEVATION GEORGIAN (SLAB)**  
SCALE: 1/4" = 1'-0" ON 22x34, 1/8" = 1'-0" ON 11x17

REV.#	DESCRIPTION	DATE
1		
2		
3		
4		
5		
6		
7		
8		

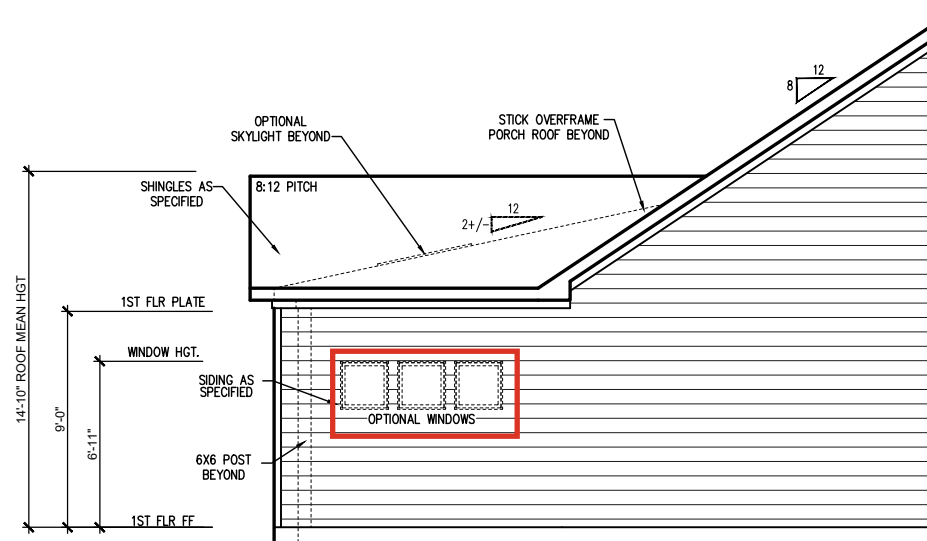
**THE GUILFORD - RH**  
Side Elevations - Georgian (Slab)

DRAWN BY:  
New Home Inc. - Jennifer Jones  
ISSUE DATE:  
07-25-2023  
CURRENT REVISION DATE:

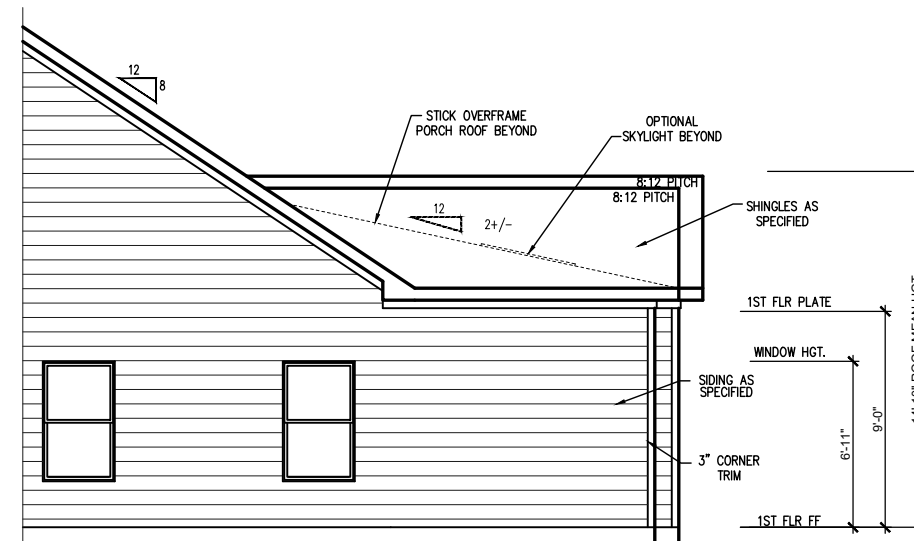
SCALE:  
1/8" = 1'-0"  
SHEET  
**3.1**



**OPTIONAL CAFE/ OFFICE - COVERED PORCH REAR ELEVATION (SLAB)**  
 SCALE: 1/4" = 1'-0" ON 22x34, 1/8" = 1'-0" ON 11x17



**OPTIONAL CAFE/ OFFICE- COVERED PORCH LEFT ELEVATION (SLAB)**  
 SCALE: 1/4" = 1'-0" ON 22x34, 1/8" = 1'-0" ON 11x17



**OPTIONAL CAFE/ OFFICE- COVERED PORCH OPT. RIGHT ELEVATION A (SLAB)**  
 SCALE: 1/4" = 1'-0" ON 22x34, 1/8" = 1'-0" ON 11x17

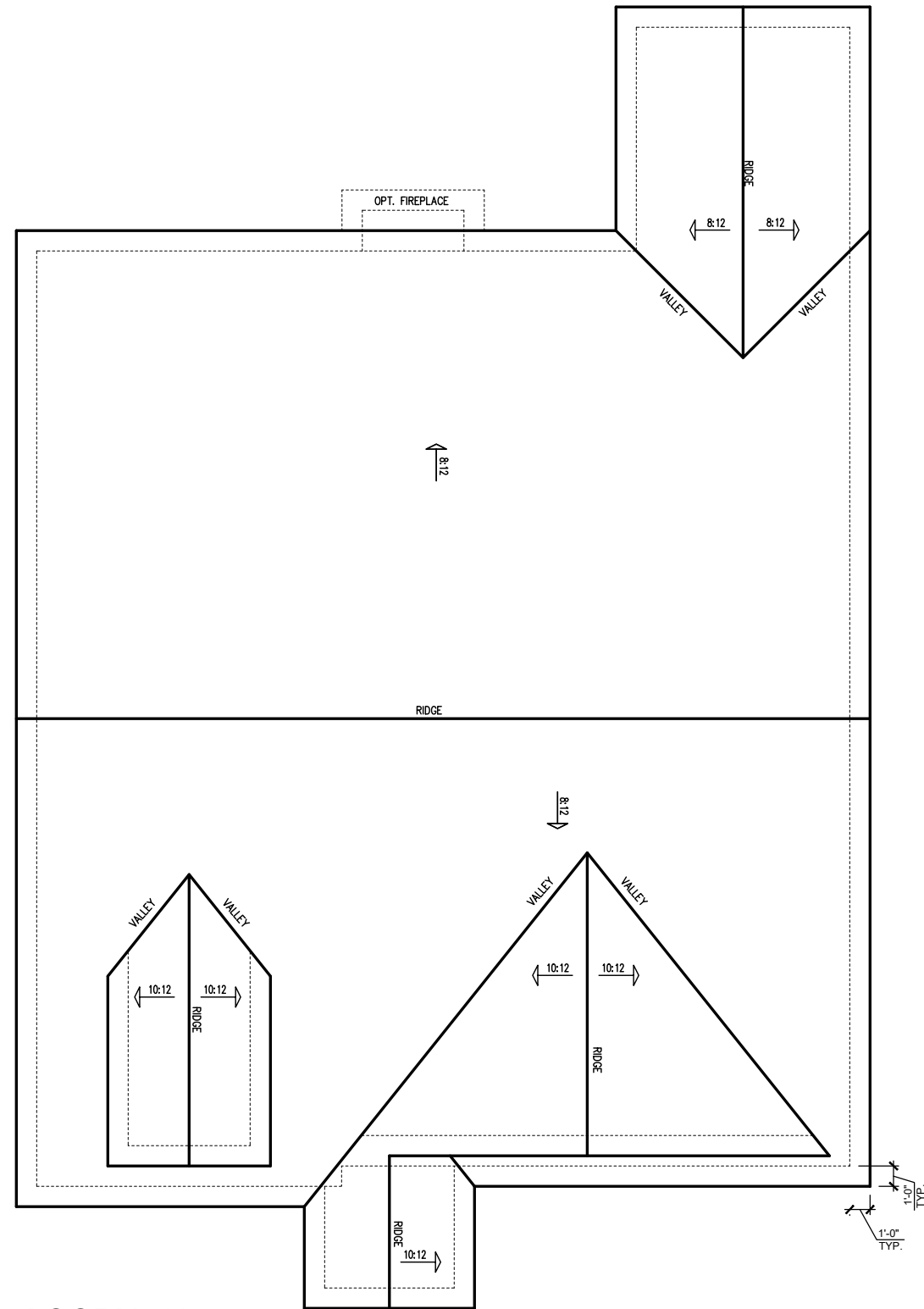
REV.#	DESCRIPTION	DATE
1		
2		
3		
4		
5		
6		
7		
8		

**THE GUILFORD - RH**  
 Elevation Options (Slab)

DRAWN BY:  
 New Home Inc. - Jennifer Jones  
 ISSUE DATE:  
 07-25-2023  
 CURRENT REVISION DATE:

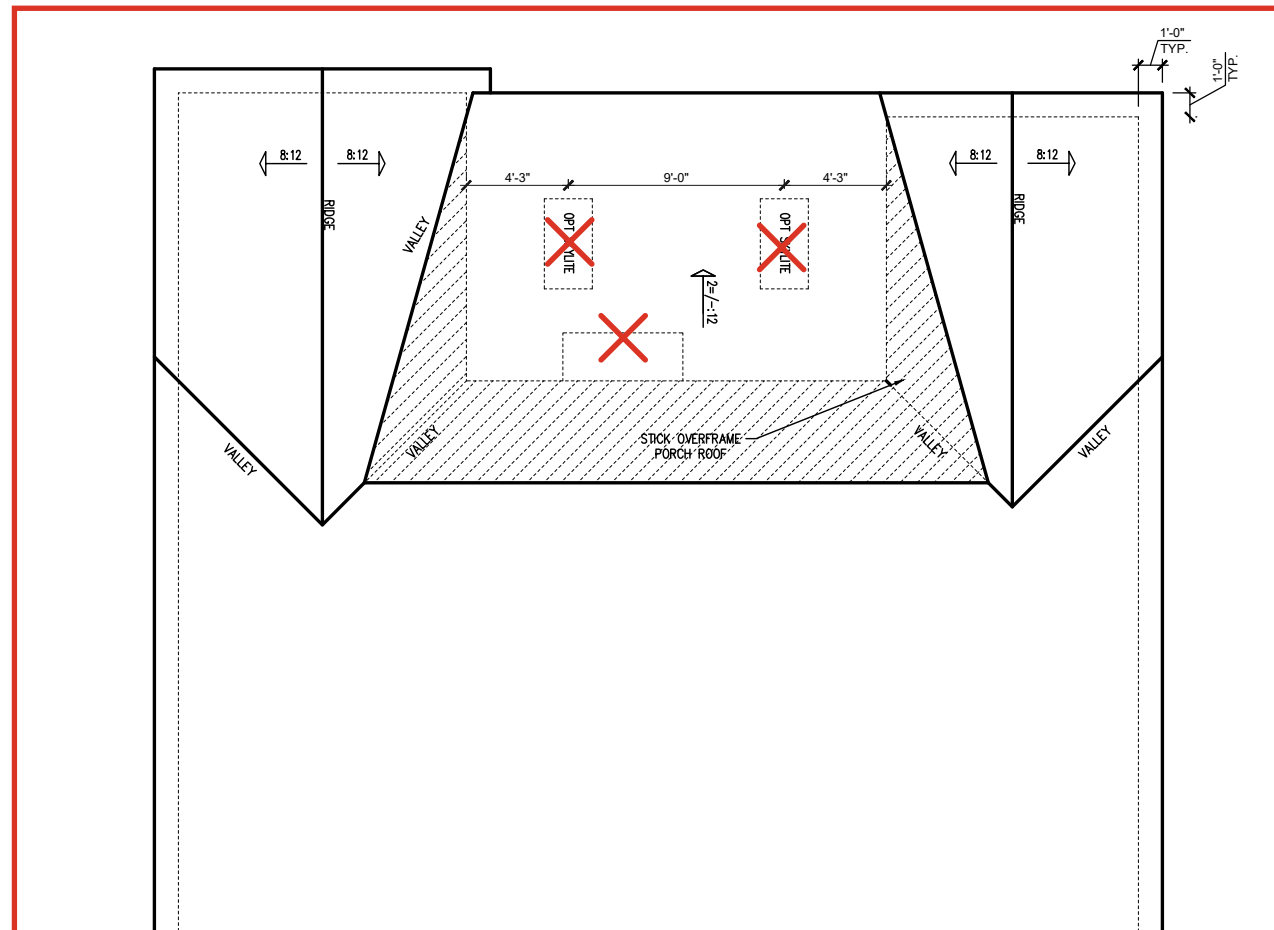
SCALE:  
 1/8" = 1'-0"  
 SHEET  
**3.3**





**ROOF PLAN**

SCALE: 1/4" = 1'-0" ON 22x34, 1/8" = 1'-0" ON 11x17



**ROOF PLAN FOR CAFE  
W/ OPTIONAL COVERED PORCH**

SCALE: 1/4" = 1'-0" ON 22x34, 1/8" = 1'-0" ON 11x17

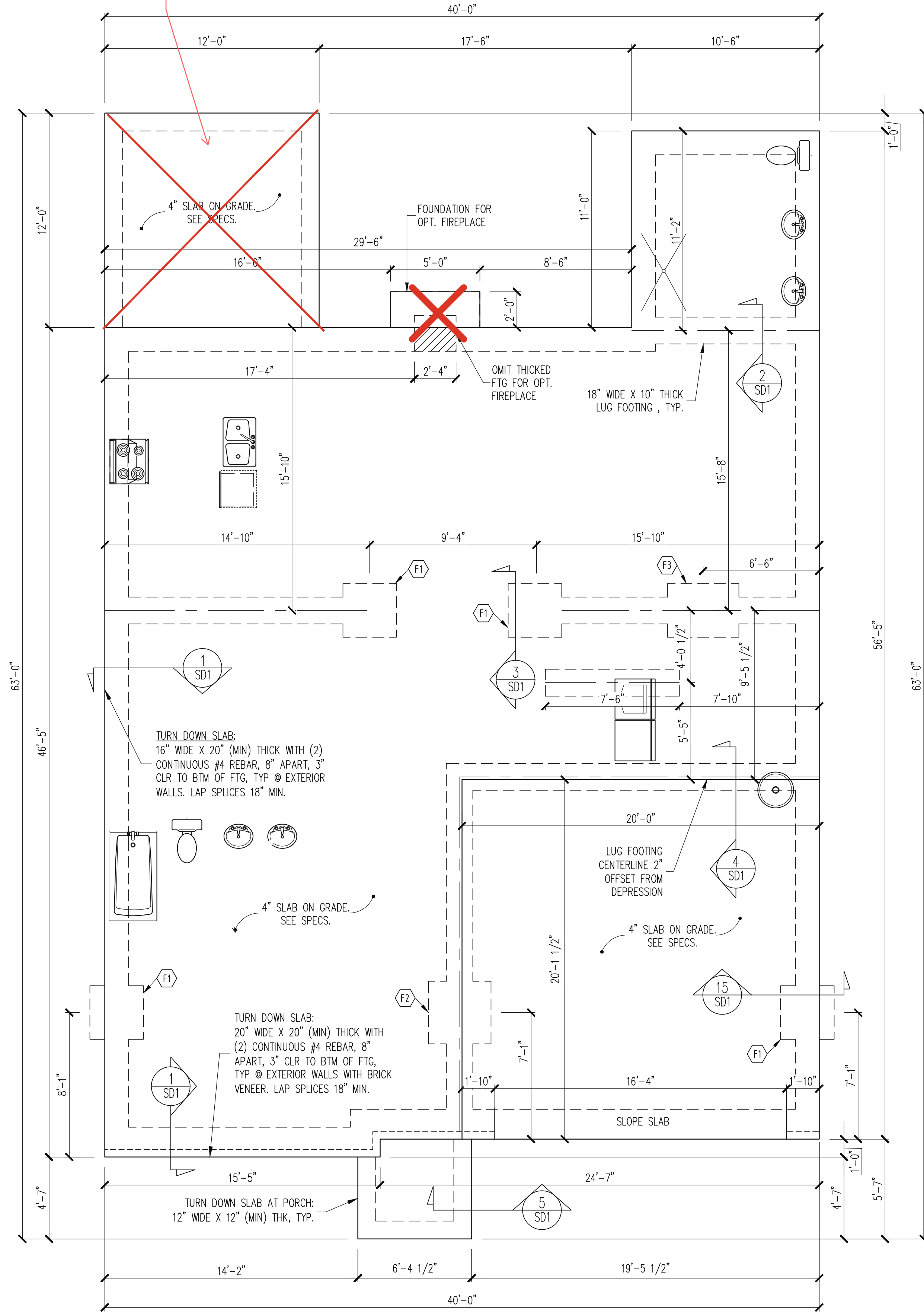
REV.#	DESCRIPTION	DATE
1		
2		
3		
4		
5		
6		
7		
8		

**THE GUILFORD - RH**  
Roof Plan

DRAWN BY:  
New Home Inc. - Jennifer Jones  
ISSUE DATE:  
07-25-2023  
CURRENT REVISION DATE:

SCALE:  
1/8" = 1'-0"  
SHEET  
**4.0**

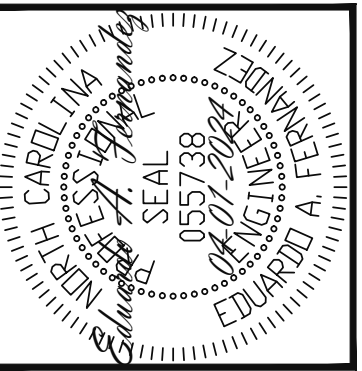
See Sheet S-5 for extended  
cafe and covered porch



MONO SLAB FOUNDATION PLAN  
ELEVATION A

1/4" = 1'-0"

The structural design of this plan is the property of Engineering Tech Associates, P.A. These plans are for the one time use at the location and for the client listed. Engineering Tech Associates, P.A. assumes no liability for these plans if they are reproduced, in whole or in part, for construction at any other location without written permission from Engineering Tech Associates, P.A.



**Engineering Tech Associates, P.A.**  
STRUCTURAL ENGINEERS  
License No. C-3870  
318 W Millbrook Rd. Unit 201  
Raleigh, North Carolina 27609  
Phone (919) 844-1661

NEW HOMES INC	REV #	REF	PROJ #	DATE
	1	24-66-122	04-01-2024	04-01-2024
STRUCTURAL ADDENDUM	REV #	REF	PROJ #	DATE
	2	24-66-241	06-26-2024	06-26-2024
SCOPE:	CUILFORD MASTER PLANS			
LOC:	GEORGIAN - RH			

**CONSTRUCTION SPECIFICATIONS**  
INSTANT REFERENCES

REFER TO THE CONSTRUCTION SPECIFICATIONS SECTIONS FOR THE FOLLOWING INFORMATION:

PART 1.01: CURRENT GOVERNING CODE

PART 14: STUD SUPPORT FOR BEAMS

PART 17: KING STUDS FOR EXTERIOR WALLS

SEE DETAIL / CONSTRUCTION SPECIFICATIONS SHEETS FOR I-JOISTS ALLOWABLE SUBSTITUTIONS

**NOTES:**

- HEIGHT AND BACKFILL LIMITATIONS FOR FOUNDATION WALLS ARE TO BE GOVERNED BY THE NCSBC, LATEST EDITION. REINFORCEMENT AND GROUTING SHALL BE DETERMINED BY FINAL SITE CONDITIONS.
- BUILDER TO FIELD LOCATE CRAWLSPACE ACCESS OPENING WITH MINIMUM DIMENSIONS OF 18X24. DO NOT LOCATE ACCESS OPENING BELOW POINT LOADS FROM ABOVE WITHOUT ENGINEER APPROVAL.
- PLUMBING SHOWN FOR REFERENCE ONLY. BUILDER VERIFY FINAL FIXTURE LOCATIONS, SIZES AND REQUIREMENTS PRIOR TO INSTALLATION.

**FOUNDATION SCHEDULE**

F1 12" THICK X 36" SQ. POURED CONCRETE FOOTING WITH (4) #4 X 30" REBAR @ 9" O.C. BOTH DIRECTIONS 3" CLR FROM BOTTOM OF FOOTING.

F2 12" THICK X 42" SQ. POURED CONCRETE FOOTING WITH (5) #4 X 36" REBAR @ 9" O.C. BOTH DIRECTIONS 3" CLR FROM BOTTOM OF FOOTING.

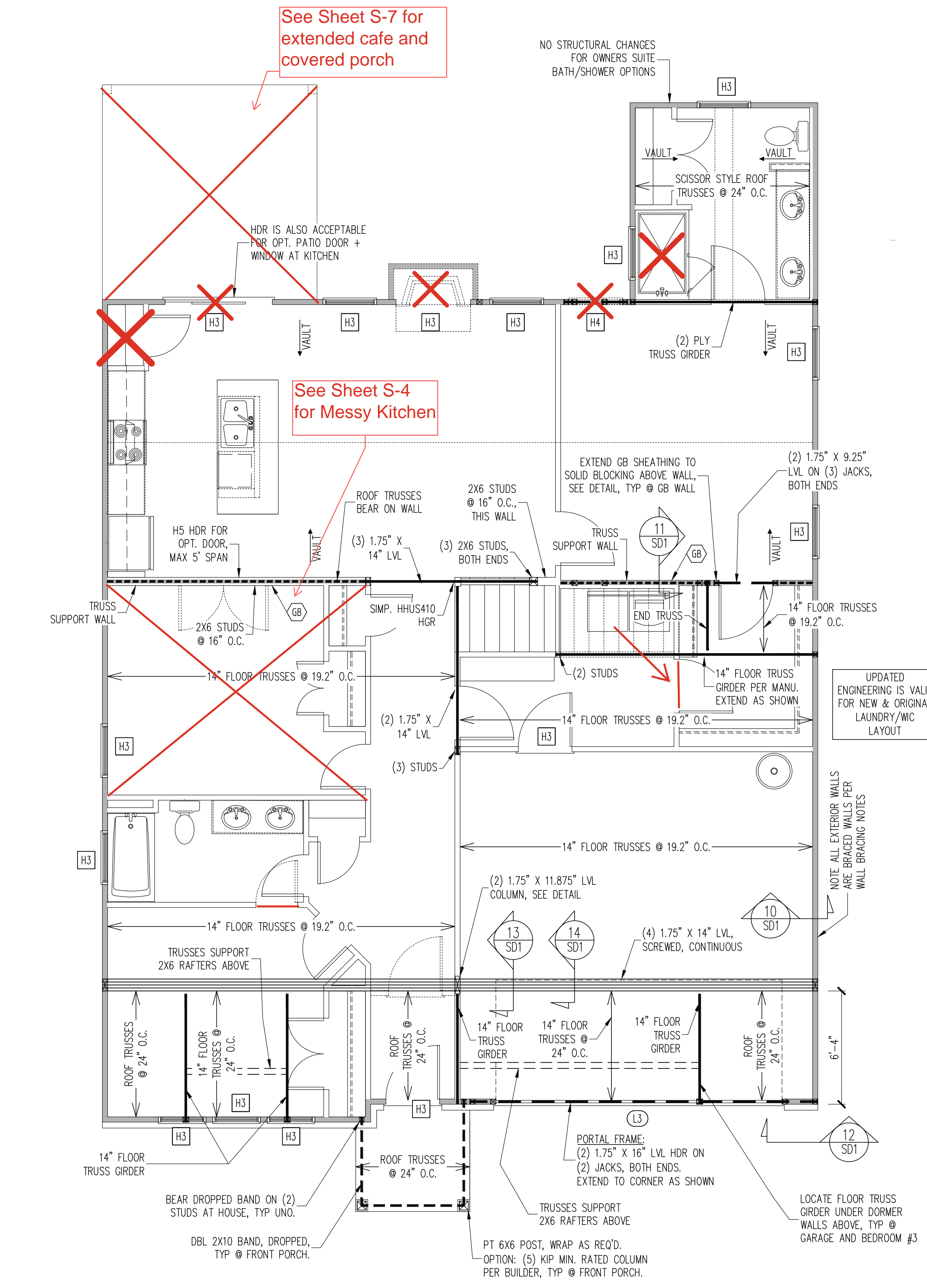
F3 12" THICK X 48" X 36" POURED CONCRETE FOOTING WITH #4 REBAR @ 6" O.C. BOTH DIRECTIONS 3" CLR FROM BOTTOM OF FOOTING.

ENG: EAF/RJS  
DATE: 02-23-2024

PROJECT NO.  
24-65-003\_241R

SHEET NO.  
S1A

1 of 10

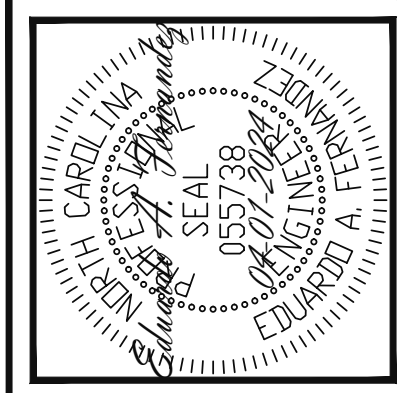


1ST FLOOR FRAMING PLAN  
ELEVATION A  
WALLS AND CEILING - 1/4" = 1'-0"

WALL BRACING	
SHADED WALLS:	
ALL EXTERIOR STUD WALLS, EXTERIOR SIDE, ARE TO BE CONTINUOUSLY SHEATHED WITH 7/16 APA RATED OSB NAILED TO STUDS WITH 8d NAILS @ 6" O.C. AT PANEL EDGES, 12" O.C. IN PANEL FIELD.	
WSP - ONE SIDE OF INTERIOR WALL OR INSIDE OF EXTERIOR WALL WITH 3/8" MIN. THICKNESS WOOD STRUCTURAL PANELING. ATTACH WSP TO STUD WALL WITH 8d NAILS @ 6" O.C. AT PANEL EDGES, 12" O.C. IN PANEL FIELD.	
GB - INTERIOR BRACED WALL. 1/2" GB SECURED PER TABLE R602.10.2 OF THE 2018 NCRBC. (FASTENERS @ 7" O.C.) BOTH SIDES OF WALL, OR (FASTENERS @ 4" O.C.) ONE SIDE OF WALL AT STAIRS (BUILDER PERMITTED TO SUBSTITUTE "WSP" FOR ANY "GB" WALL)	
NOTES: PROVIDED CONTINUOUS SHEATHING = 192" MIN.	
REFERENCE PART 16.02 OF CONSTRUCTION SPECIFICATIONS FOR GENERAL WIND BRACING INFORMATION.	

HEADER SCHEDULE	
H1	SINGLE 2X4 TURNED FLAT (A)
H2	(2) 2X4'S ON SINGLE JACKS (B)
H3	(2) 2X10'S ON SINGLE JACKS (C)
H4	(2) 1.75" X 9.25" LVL'S ON DBL JACKS
H5	(3) 2X10'S ON SINGLE JACKS
(A) TYPICAL FOR INTERIOR NON LOAD BEARING WALLS ONLY, ROUGH OPENING 38" MAX.	
(B) TYPICAL FOR INTERIOR NON LOAD BEARING WALLS ONLY, ROUGH OPNG 38" TO 74" MAX.	
(C) TYPICAL FOR ALL CONDITIONS NOT LISTED IN (A) OR (B) UNO.	
NOTES: -HEADERS IN NON LOAD BEARING INTERIOR WALLS ARE NOT LABELED.	

The structural design of this plan is the property of Engineering Tech Associates, P.A. These plans are for the one time use at the location and for the client listed. Engineering Tech Associates, P.A. assumes no liability for these plans if they are reproduced, in whole or in part, for construction at any other location without written permission from Engineering Tech Associates, P.A.



**Engineering Tech Associates, P.A.**  
STRUCTURAL ENGINEERS  
License No. C-3870  
318 W Millbrook Rd. Unit 201  
Raleigh, North Carolina 27609  
Phone (919) 844-1661

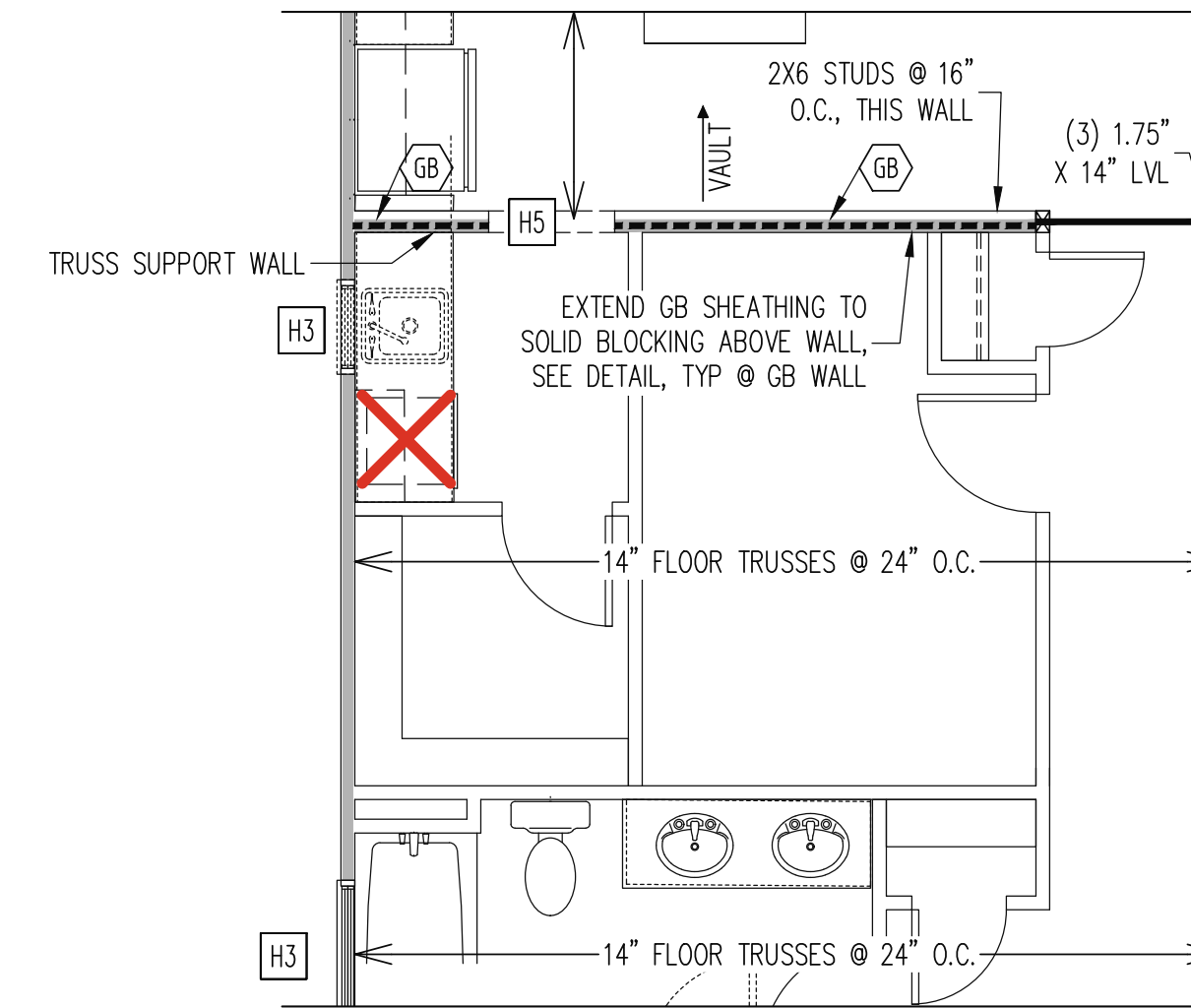
NEW HOMES INC	STRUCTURAL ADDENDUM	REV #	REF PRO #	DATE
	SCOPE:	1	24-66-122	04-01-2024
CUILFORD MASTER PLANS	LOC:	2	24-66-241	06-26-2024
	GEORGIAN - RH			

ENG: EAF/RJS  
DATE: 02-23-2024

PROJECT NO.  
24-65-003\_241R

SHEET NO.  
S2A  
2 of 10





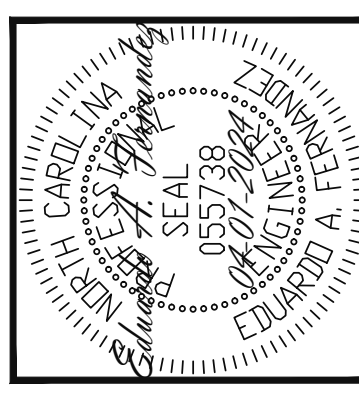
OPT POCKET OFFICE, MESSY KITCHEN,  
& POWER PANTRY FRAMING PLAN

WALLS AND CEILING  
1/4" = 1'-0" ON 22X34, 1/8" = 1'-0" ON 11X17

ELEVATION A & B  
W/ TYP 2ND LEVEL  
FLOOR PLAN

NO FOUNDATION CHANGES FOR  
OFFICE OR DINING ROOM OPTIONS

The structural design of this plan is the property of Engineering Tech Associates, P.A. These plans are for the one time use at the location and for the client listed. Engineering Tech Associates, P.A. assumes no liability for these plans if they are reproduced, in whole or in part, for construction at any other location without written permission from Engineering Tech Associates, P.A.



**Engineering Tech Associates, P.A.**  
STRUCTURAL ENGINEERS  
License No. C-3870  
318 W Millbrook Rd. Unit 201  
Raleigh, North Carolina 27609  
Phone (919) 844-1661

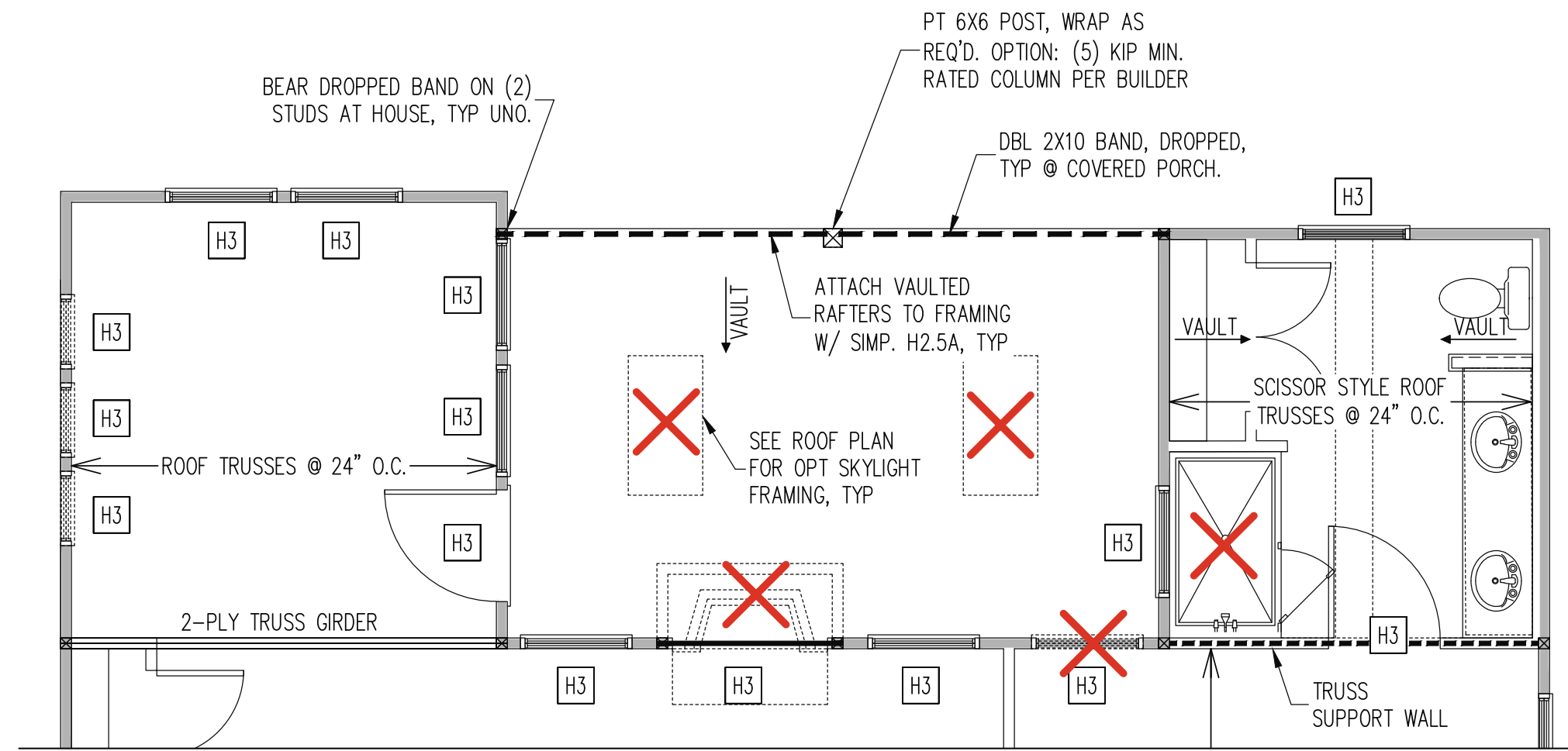
NEW HOMES INC		
STRUCTURAL ADDENDUM		
SCOPE:	QUILFORD MASTER PLANS	
LOC:	GEORGIAN - RH	
REV #	REF PROJ #	DATE
1	24-66-122	04-01-2024
2	24-66-241	06-26-2024

ENG: EAF/RJS  
DATE: 02-23-2024

PROJECT NO.  
24-65-003\_241R

SHEET NO.  
S4  
4 of 10

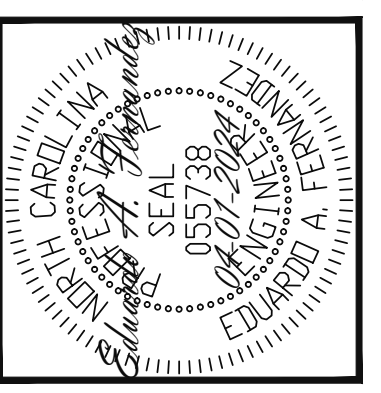




OPT. CAFE/OFFICE WITH COVERED PORCH  
1ST FLOOR FRAMING PLAN

WALLS AND CEILING  
1/4" = 1'-0" ON 22X34, 1/8" = 1'-0" ON 11X17

The structural design of this plan is the property of Engineering Tech Associates, P.A. These plans are for the one time use at the location and for the client listed. Engineering Tech Associates, P.A. assumes no liability for these plans if they are reproduced, in whole or in part, for construction at any other location without written permission from Engineering Tech Associates, P.A.



**Engineering Tech Associates, P.A.**  
STRUCTURAL ENGINEERS  
License No. C-3870  
318 W Millbrook Rd. Unit 201  
Raleigh, North Carolina 27609  
Phone (919) 844-1661

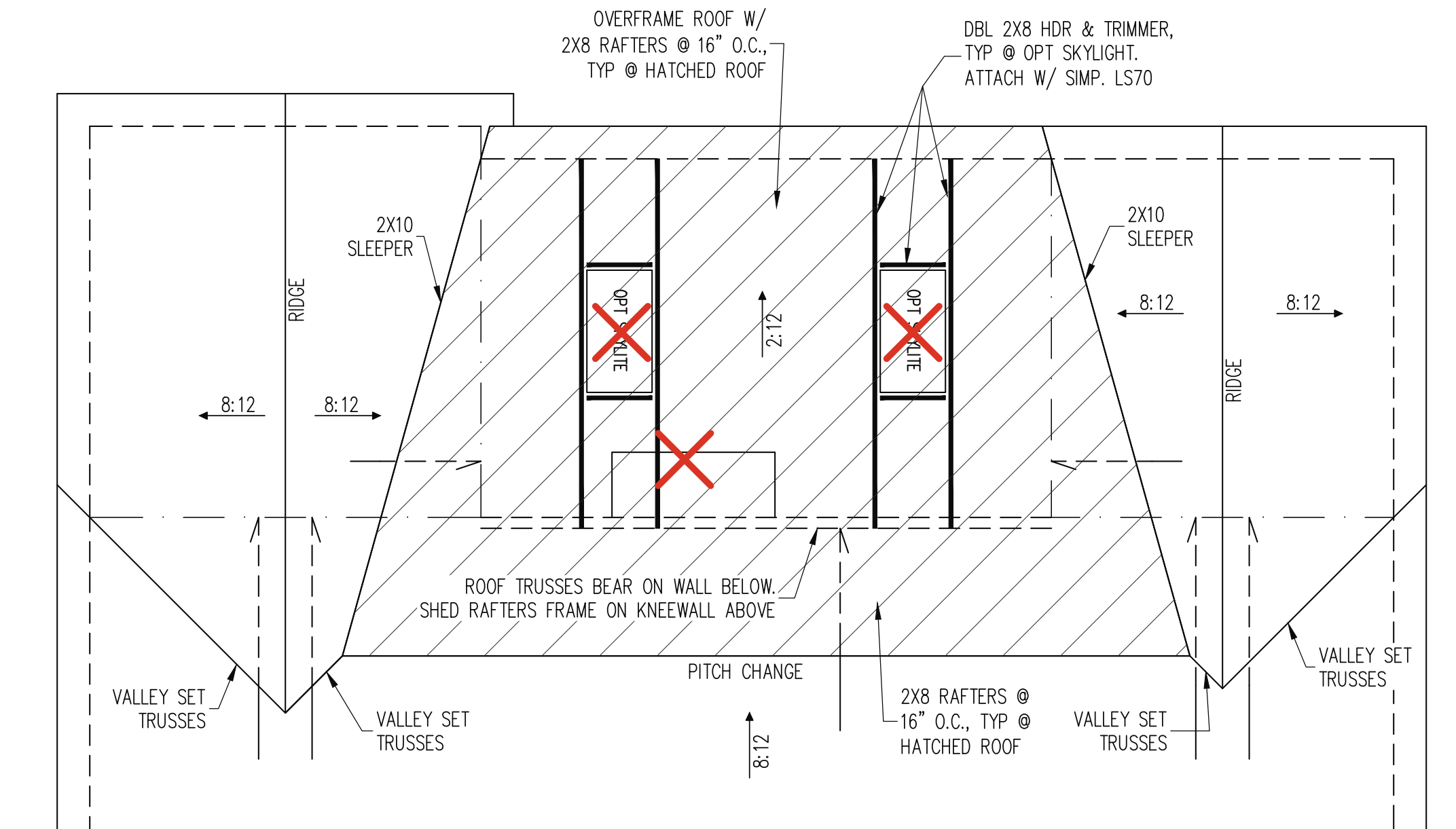
NEW HOMES INC	
STRUCTURAL ADDENDUM	
SCOPE:	DATE
LOC: CUILFORD MASTER PLANS	04-01-2024
GEORGIAN - RH	06-26-2024
REV #	REF PROJ #
1	24-66-122
2	24-66-241

ENG: EAF/RJS  
DATE: 02-23-2024

PROJECT NO.  
24-65-003\_241R

SHEET NO.  
S7

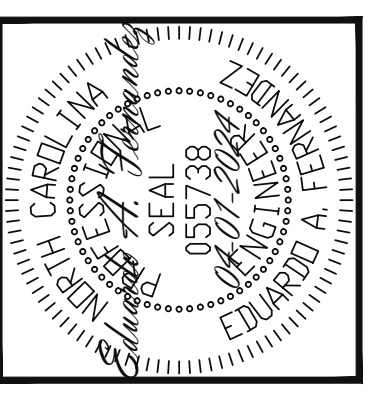
7 of 10



OPT CAFE/OFFICE WITH COVERED PORCH  
 ROOF FRAMING PLAN

1/4" = 1'-0" ON 22X34, 1/8" = 1'-0" ON 11X17

The structural design of this plan is the property of Engineering Tech Associates, P.A. These plans are for the one time use at the location and for the client listed. Engineering Tech Associates, P.A. assumes no liability for these plans if they are reproduced, in whole or in part, for construction at any other location without written permission from Engineering Tech Associates, P.A.



**Engineering Tech Associates, P.A.**  
 STRUCTURAL ENGINEERS  
 License No. C-3870  
 318 W Millbrook Rd. Unit 201  
 Raleigh, North Carolina 27609  
 Phone (919) 844-1661

TRUSS UPLIFT CONNECTORS			
EXPOSURE B, 115 MPH, ANY PITCH			
24" O.C. MAX ROOF TRUSS SPACING			
TRUSSES SHALL BE ATTACHED TO SUPPORT WALL FOR UPLIFT RESISTANCE. CONTINUOUS OSB WALL SHEATHING BELOW PROVIDES CONTINUOUS UPLIFT RESISTANCE TO FOUNDATION. ALL TRUSSES SUPPORTED BY INTERMEDIATE SUPPORT WALLS, KNEEWALLS OR BEAMS SHALL BE ATTACHED TO SUPPORTING MEMBER PER SCHEDULE BELOW.			
ROOF SPAN IS MEASURED HORIZONTALLY BETWEEN FURTHEST SUPPORT POINTS.			
ROOF SPAN	CONNECTOR		
UP TO 28'	NAILING PER TABLE 602.3(1) NCRBC 2018 EDITION		
OVER 28'	(1) SIMPSON H2.5A HURRICANE CLIP TO DBL TOP PLATE OR BEAM		

- FRAMING NOTES**  
 ROOF ONLY
- COMMON RAFTERS 2X8 @ 16" O.C. TYP U.N.O.
  - COLLAR TIES 2X4 EVERY 3RD SET OF RAFTERS TYP U.N.O.
  - ROOF PITCHES 12:12 TYP U.N.O.
  - VERIFY ROOF PITCHES, OVERHANG LENGTHS, AND KNEEWALL FRAMING HGTS WITH ARCHITECTURAL DRAWINGS, TYPICAL.

FRAMING SCHEDULE	
ROOF ONLY	
AN	SUPPORT BRICK VENEER WITH ANGLE ATTACHED TO MODIFIED STUD WALL
BR	SUPPORT BRICK VENEER PER SECT. R703.8.2 OF THE NCR, LATEST EDITION.
DR	DOUBLE RAFTER
OV	OVERFRAME VALLEY ( 2X10 SLEEPER )
SB	SUPPORT/SPLICE RAFTERS ON BEAM BELOW
SK	DBL 2X4 STIFF KNEE
SS	SUPPORT/SPLICE RAFTERS ON KNEEWALL BELOW

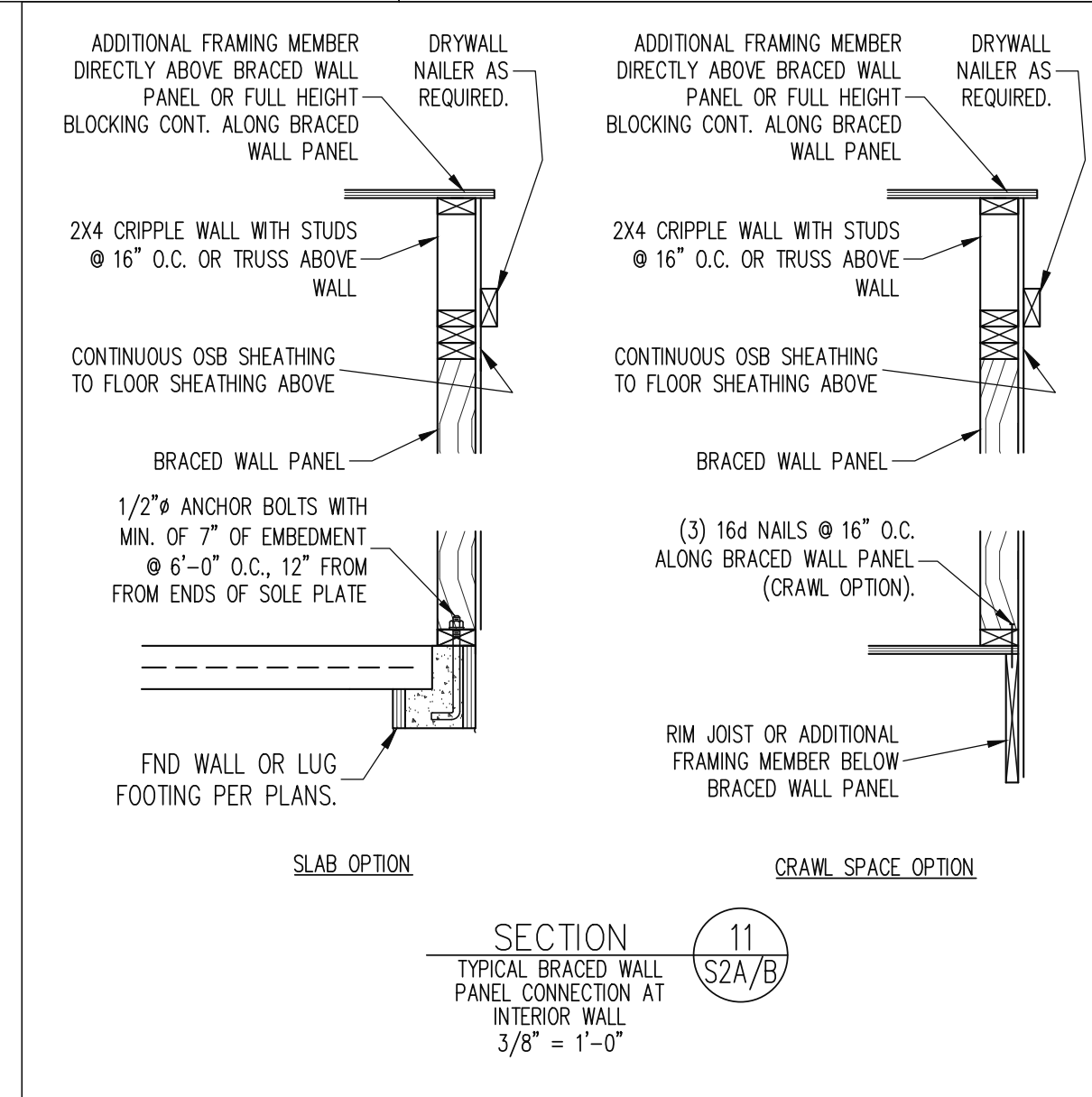
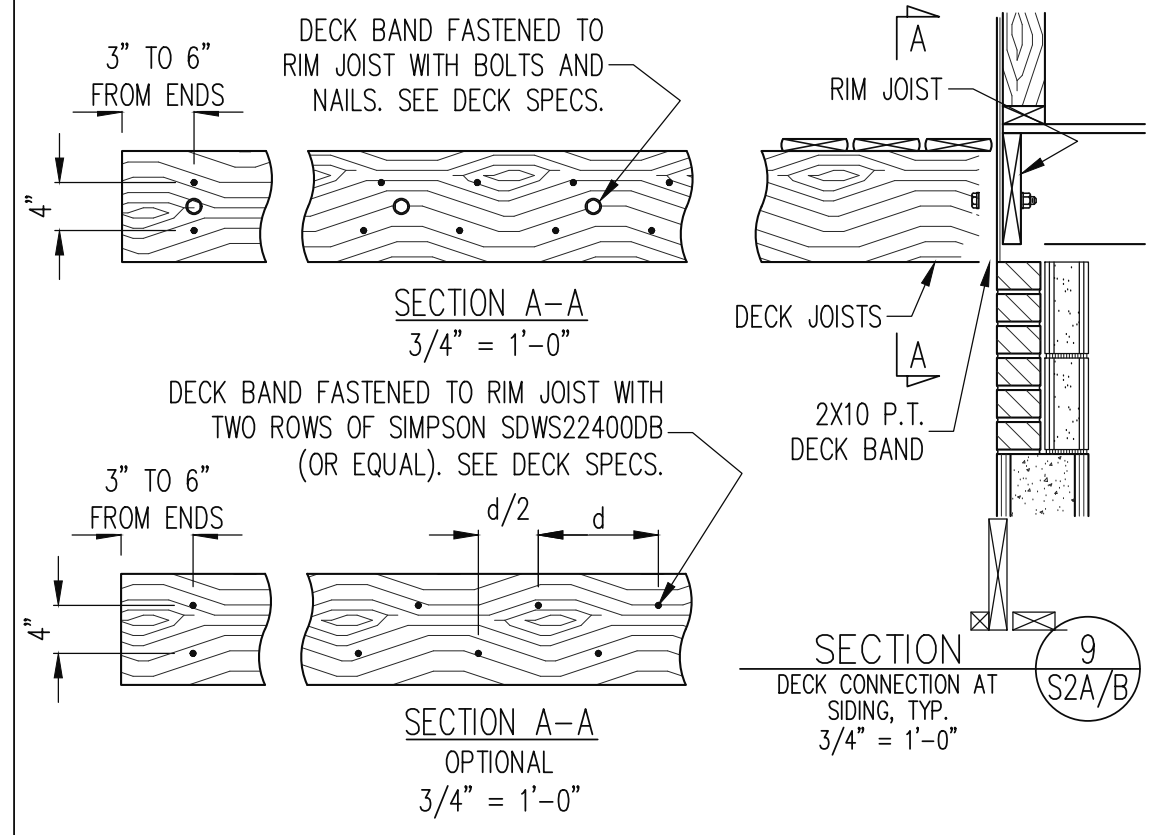
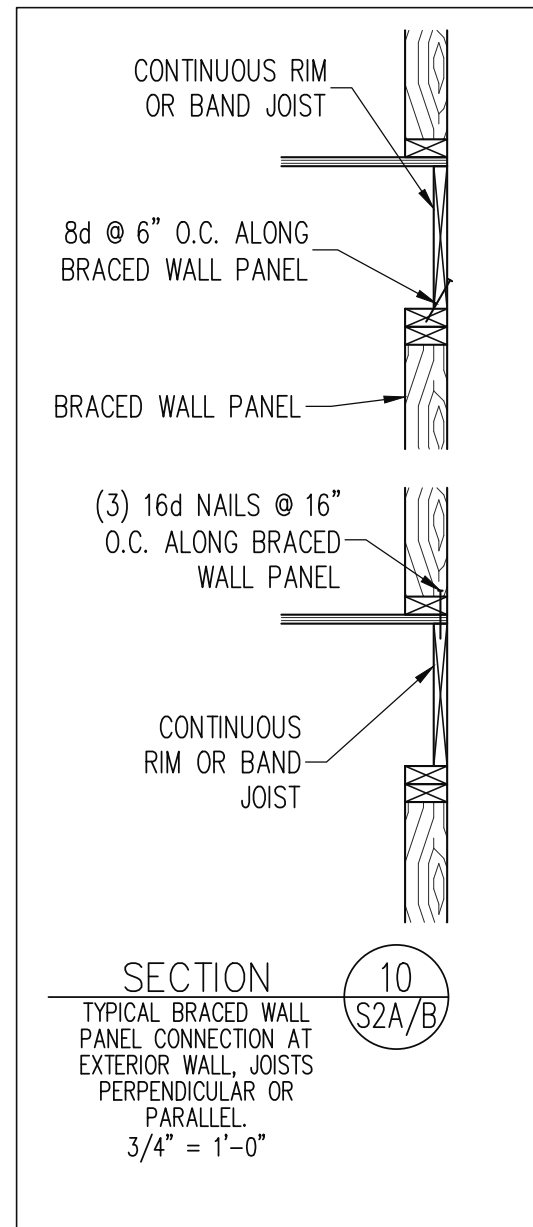
NEW HOMES INC	STRUCTURAL ADDENDUM	DATE	04-01-2024
	REV #	REF PROJ #	24-66-122
	1	24-66-241	06-26-2024
SCOPE:	CUILFORD MASTER PLANS	LOC:	GEORGIAN - RH

ENG: EAF/RJS  
 DATE: 02-23-2024

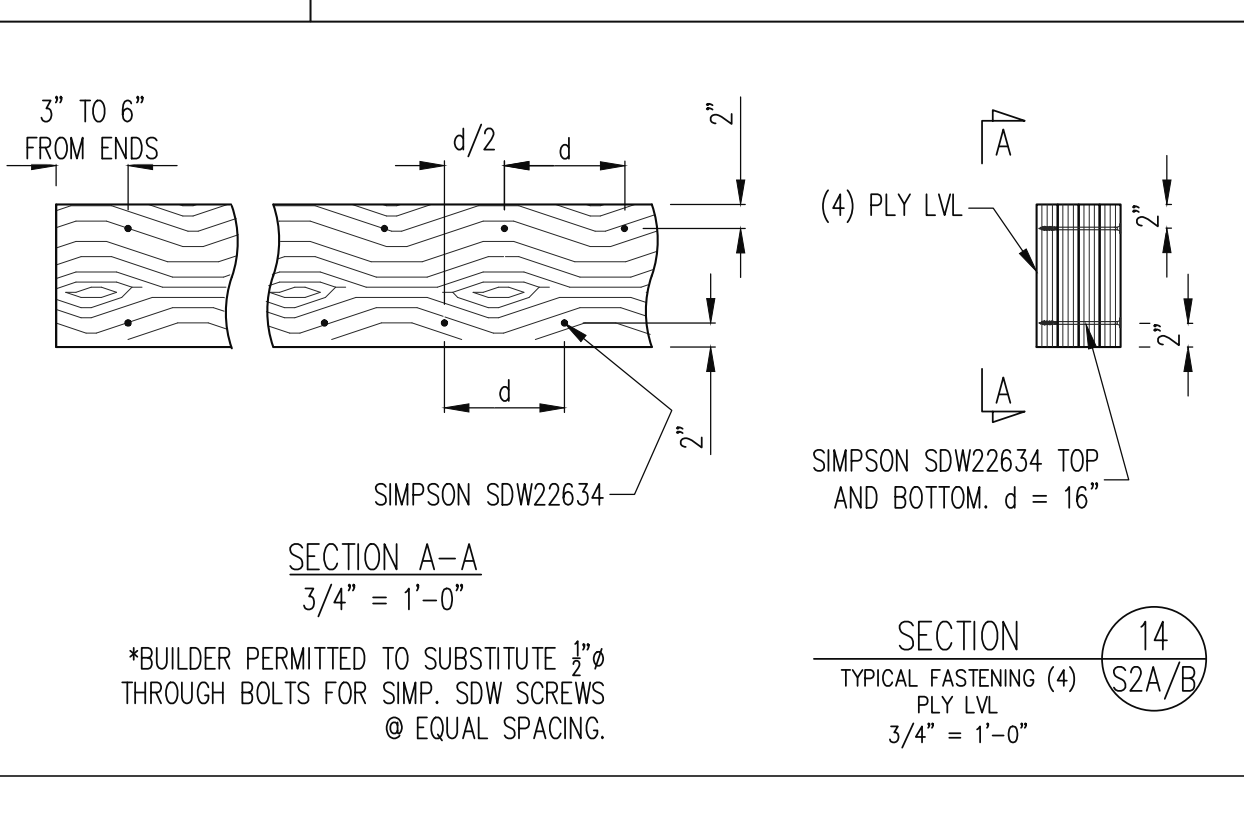
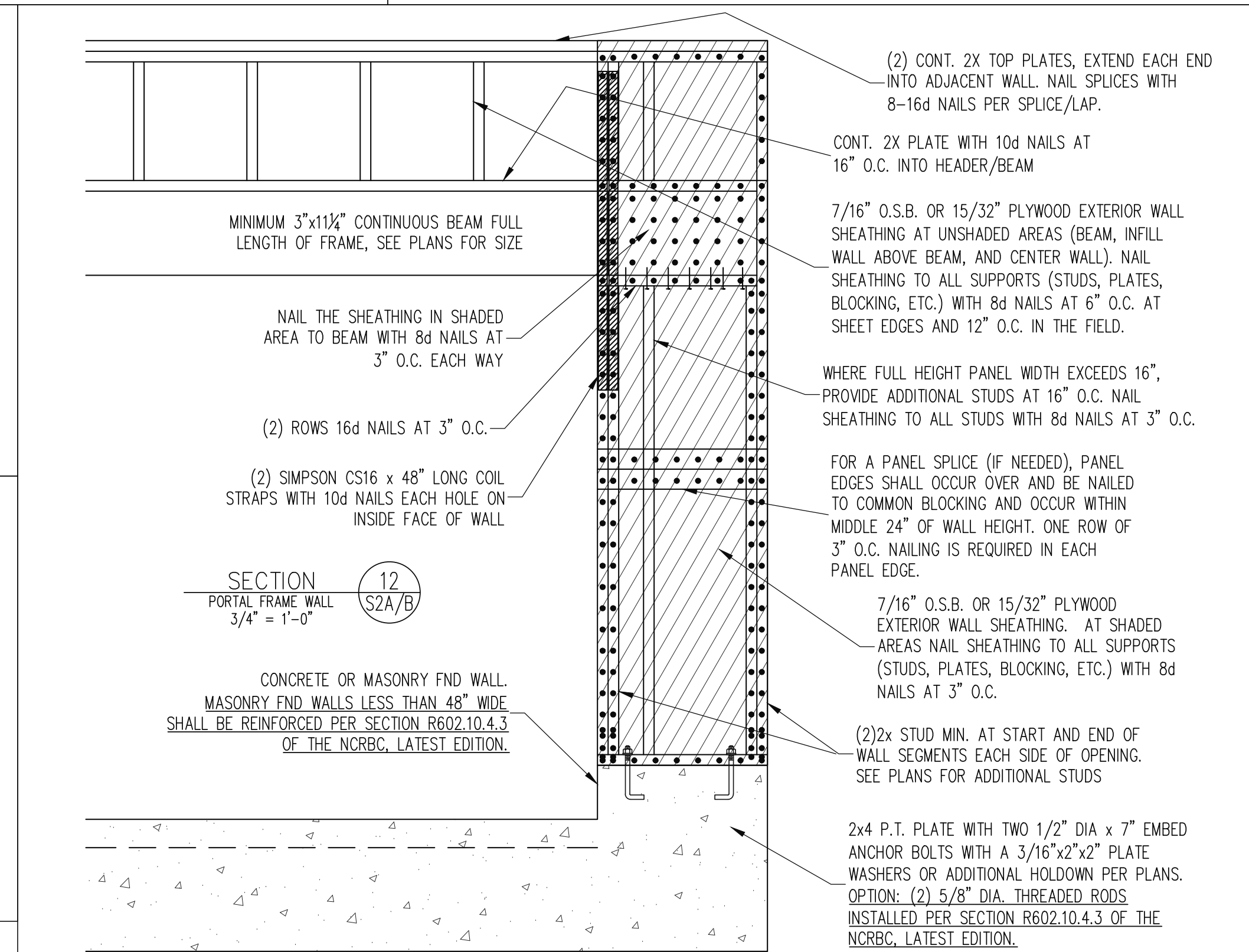
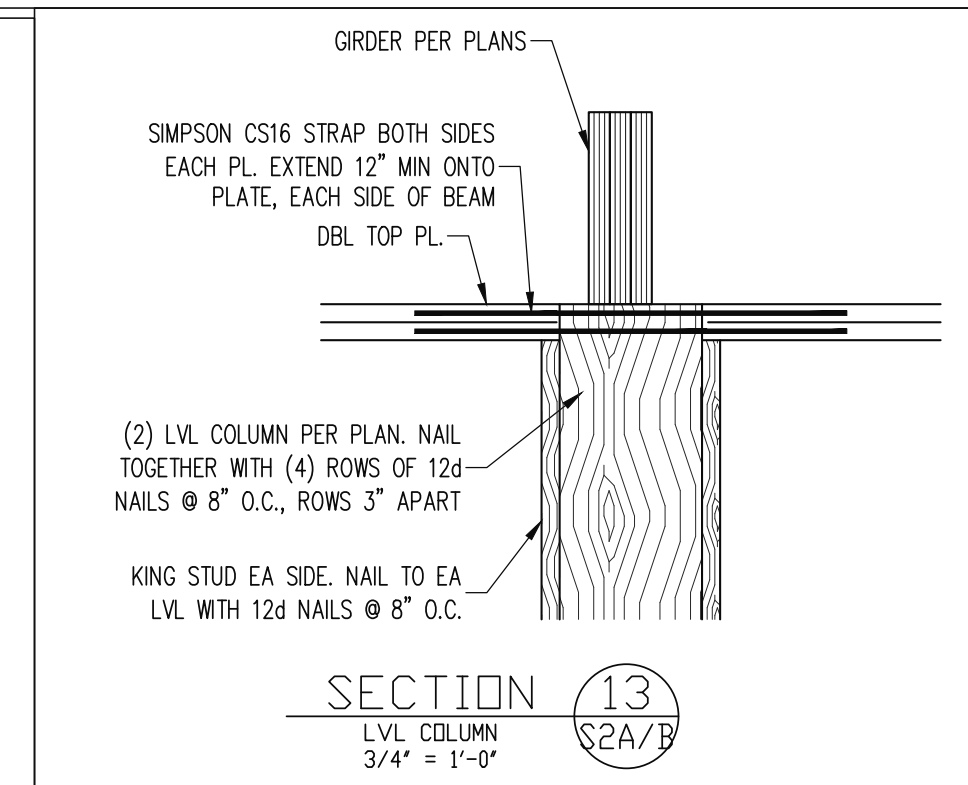
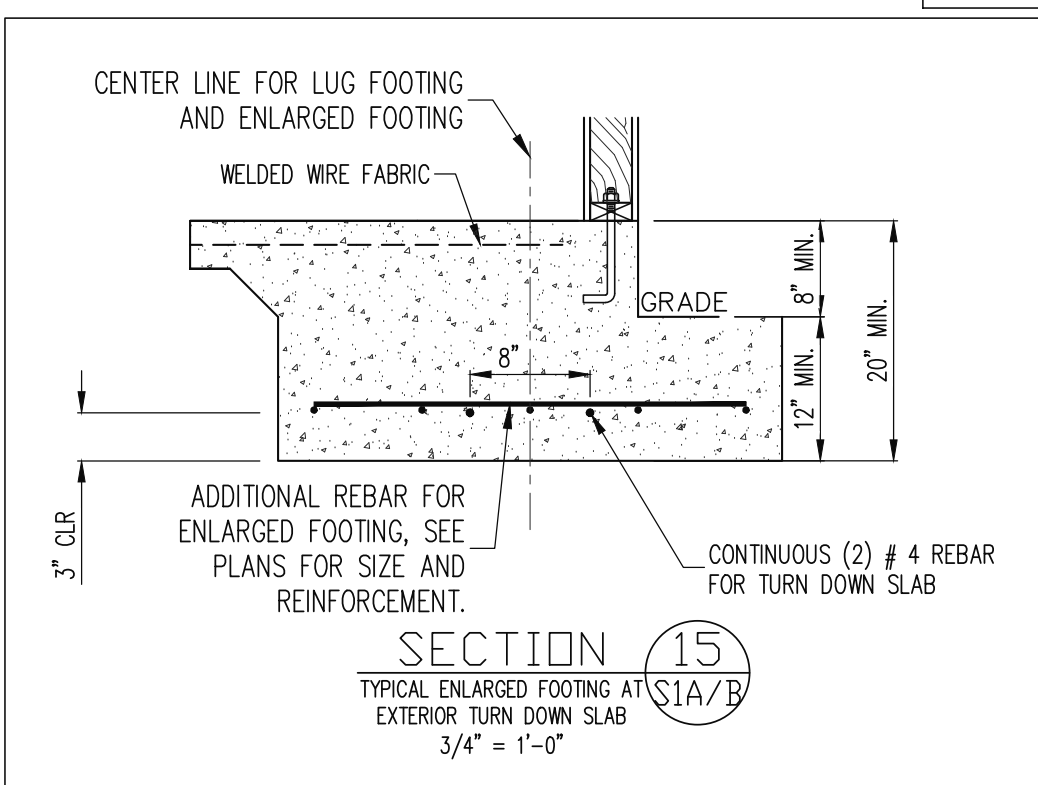
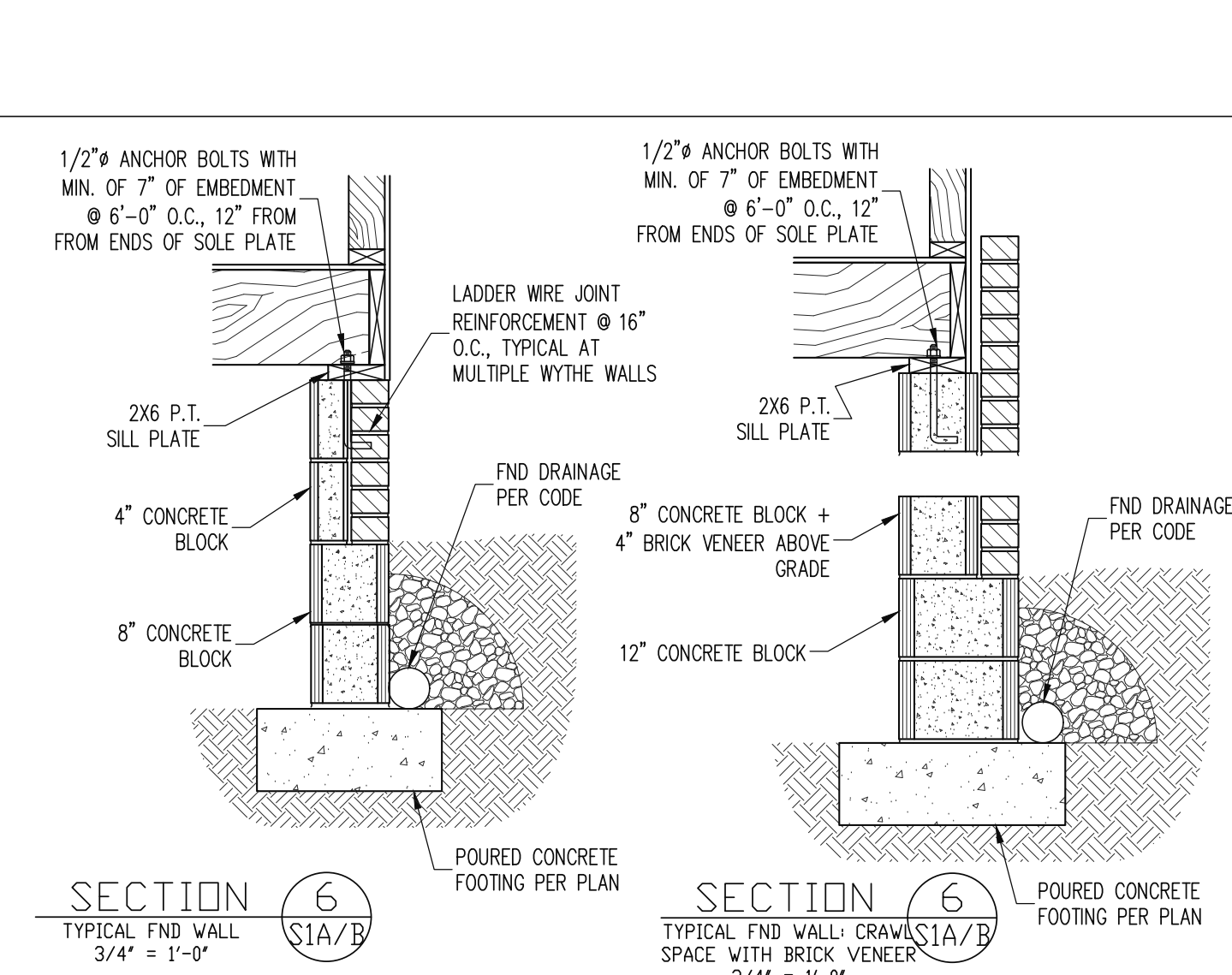
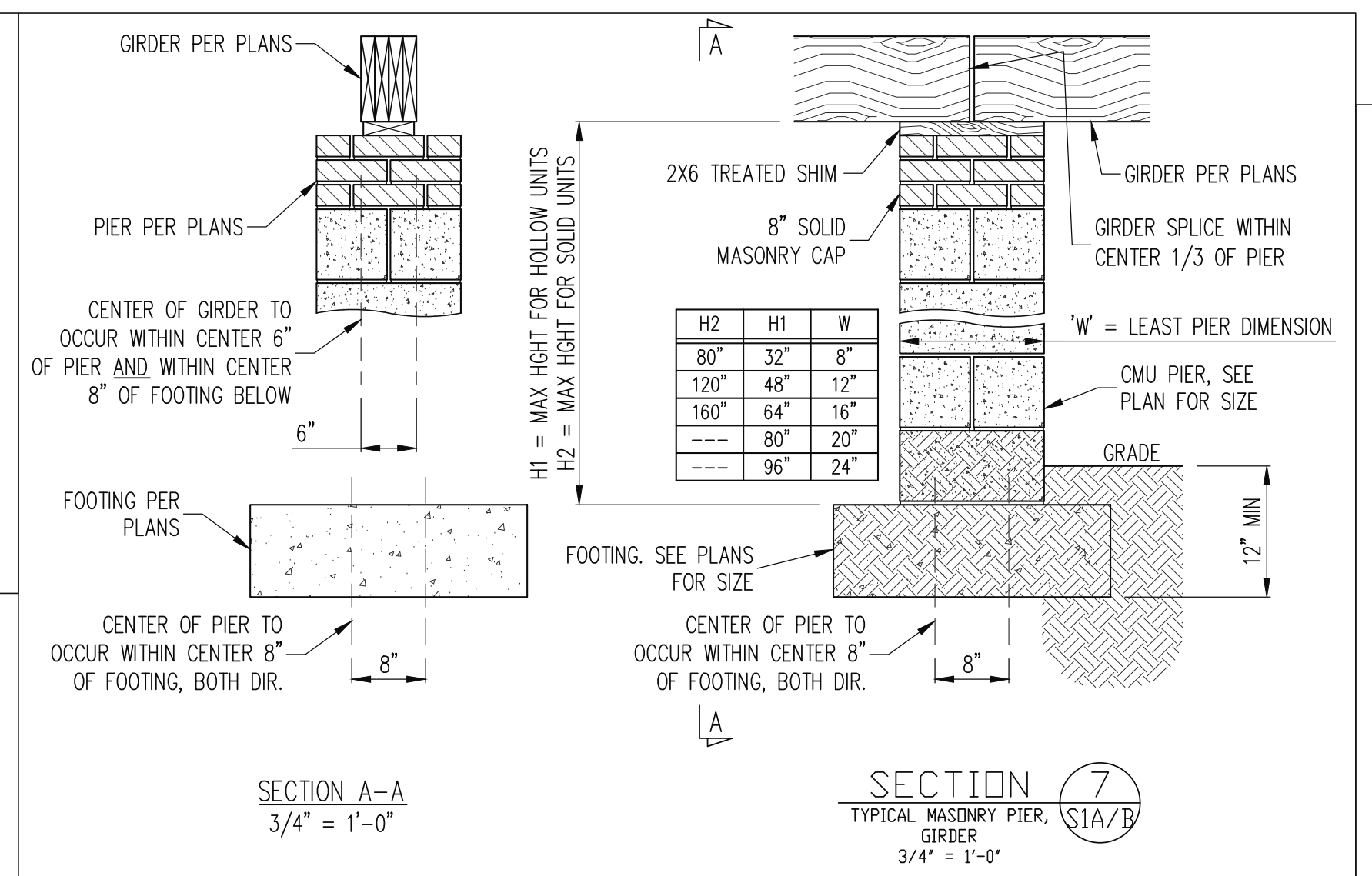
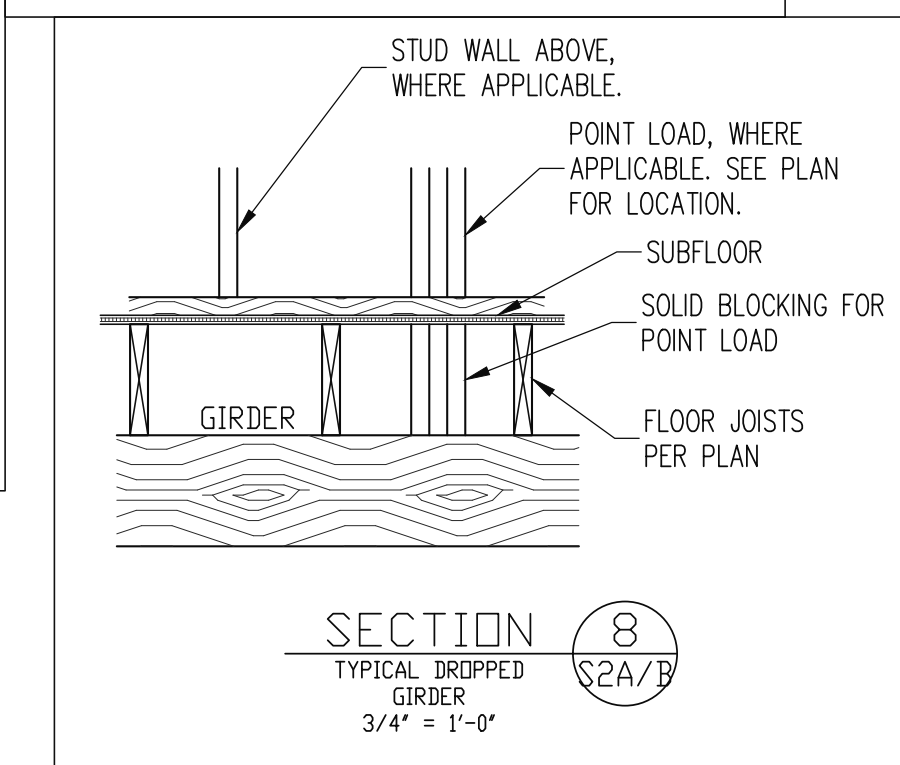
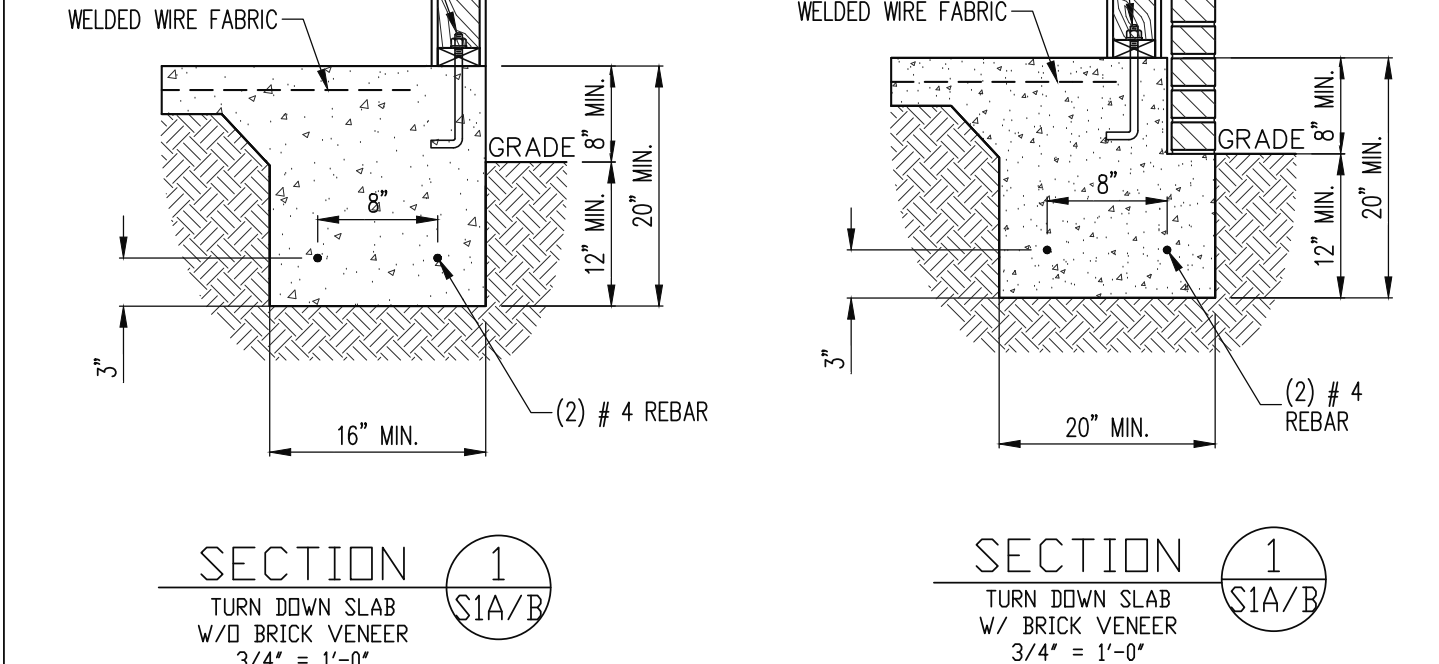
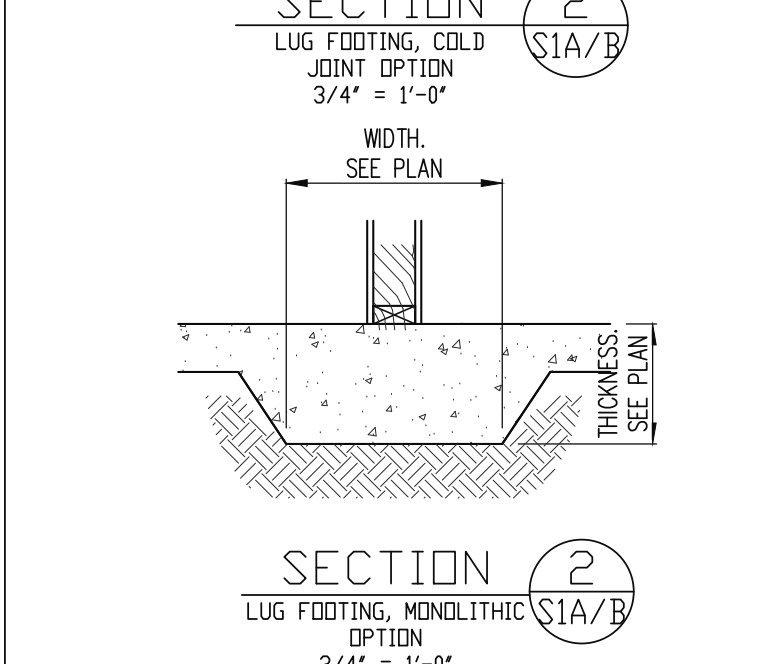
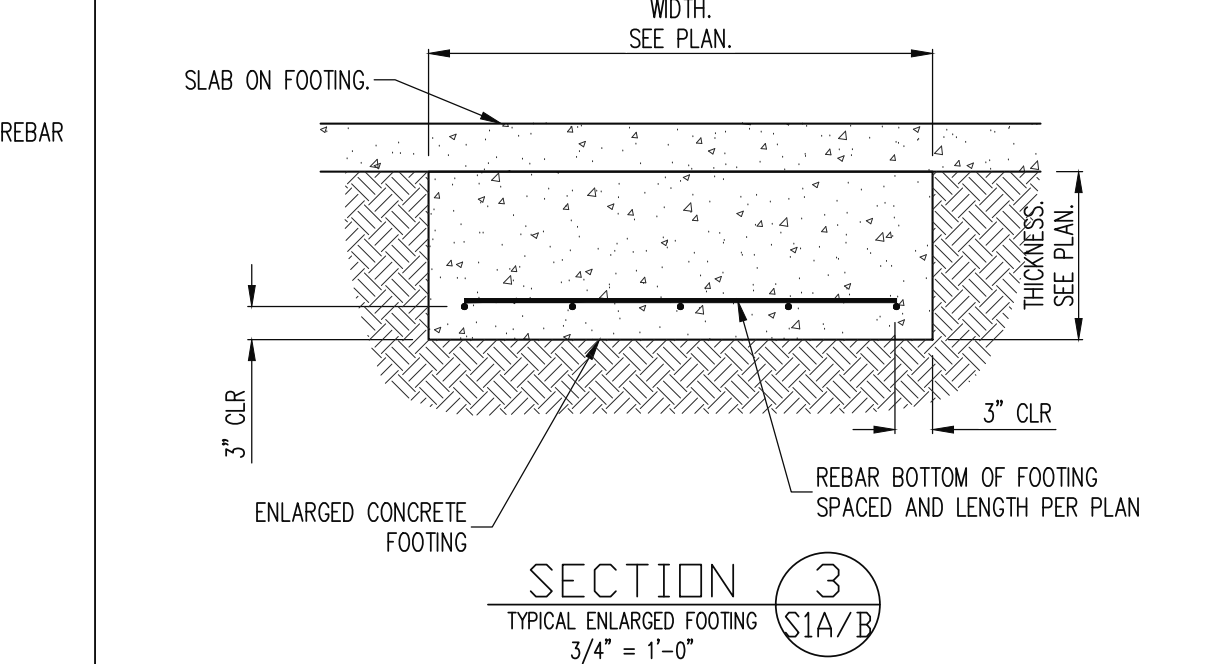
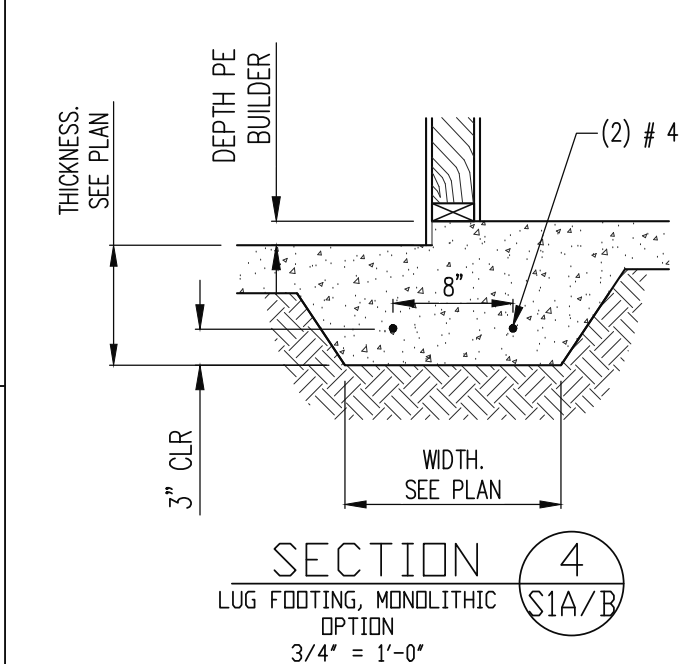
PROJECT NO.  
 24-65-003\_241R

SHEET NO.  
 S8  
 8 of 10

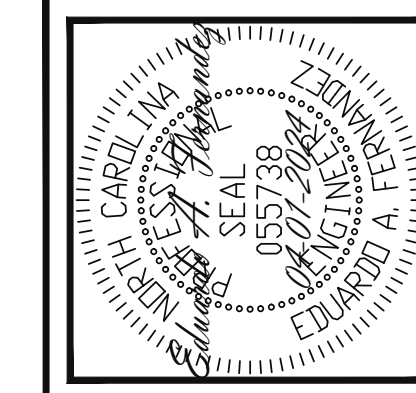




SECTION 11  
TYPICAL BRACED WALL PANEL CONNECTION AT INTERIOR WALL  
3/8" = 1'-0"



The structural design of this plan is the property of Engineering Tech Associates, P.A. These plans are for the one time use at the location and for the client listed. Engineering Tech Associates, P.A. assumes no liability for these plans if they are reproduced, in whole or in part, for construction at any other location without written permission from Engineering Tech Associates, P.A.



**Engineering Tech Associates, P.A.**  
STRUCTURAL ENGINEERS  
License No. C-3870  
318 W Millbrook Rd. Unit 201  
Raleigh, North Carolina 27609  
Phone (919) 844-1661

NEW HOMES INC	STRUCTURAL ADDENDUM	REV #	REF	PROJ #	DATE
		1	24-66-122	04-01-2024	06-26-2024
SCOPE:	LOC:	CUILFORD MASTER PLANS			
		GEORGIAN - RH			

ENG: EAF/RJS  
DATE: 02-23-2024

PROJECT NO.  
24-65-003\_241R

SHEET NO.  
SD1  
9 of 10

## CONSTRUCTION SPECIFICATIONS

**PART 1: GENERAL**

1.01 CONSTRUCTION SHALL MEET THE REQUIREMENTS OF THE NORTH CAROLINA RESIDENTIAL CODE, 2018 EDITION.

1.02 DIMENSIONS SHOWN SHALL GOVERN OVER SCALE ON THESE DRAWINGS.

1.05 METHODS, PROCEDURES AND SEQUENCES OF CONSTRUCTION ARE THE RESPONSIBILITY OF THE CONTRACTOR, WHO SHALL TAKE ALL NECESSARY PRECAUTIONS TO MAINTAIN AND INSURE THE INTEGRITY OF THE STRUCTURE AT ALL STAGES OF CONSTRUCTION.

**PART 2: DESIGN LOADS**

2.01 DESIGN LOADS SHALL CONFORM WITH THE TABLE BELOW:

USE	LIVE LOAD (PSF)	DEAD LOAD (PSF)
BALCONIES, DECKS, ATTICS WITH FIXED STAIR ACCESS, DWELLING UNITS INCLUDING ATTICS WITH FIXED STAIR ACCESS, STAIRS, FIRE ESCAPES	40	10
GARAGES (PASSENGER CARS ONLY)	50	---
ATTICS (NO STORAGE, LESS THAN 5' HEADROOM)	10	10
ATTICS (WITH STORAGE)	20	10
ROOF	20	10 (15 FOR VAULTS)

NOTES: - INDIVIDUAL STAIR TREADS ARE TO BE DESIGNED FOR THE UNIFORMLY DISTRIBUTED LIVE LOAD OF 40 PSF OR A 300 LB. CONCENTRATED LOAD ACTING OVER AN AREA OF 4 SQ. WHICHEVER PRODUCES THE GREATER STRESS.  
- BUILDER TO VERIFY DEAD LOAD DOES NOT EXCEED 10 PSF WHEN HEAVY FLOOR OR ROOF FINISHES SUCH AS TILE OR SLATE ARE UTILIZED. NOTIFY ENGINEERING UNDER THESE CONDITIONS

2.02 INTERIOR WALLS: 5 PSF LATERAL.

2.03 BASIC WIND DESIGN VELOCITY OF 120 MPH.

2.04 SOIL BEARING CAPACITY 2000 PSF (PRESUMPTIVE).

**PART 3: STRUCTURAL STEEL**

3.01 WIDE FLANGE BEAMS AND TEE SECTIONS SHALL CONFORM TO ASTM A992 MINIMUM GRADE.

3.02 SQUARE AND RECTANGULAR TUBING SHALL CONFORM TO ASTM A500 GRADE B MINIMUM GRADE.

3.03 STEEL PIPE SHALL CONFORM TO ASTM A53 GRADE B, TYPE S, MINIMUM GRADE.

3.04 ALL OTHER STRUCTURAL STEEL SHALL CONFORM TO ASTM A36 MINIMUM GRADE.

3.05 STRUCTURAL STEEL CONSTRUCTION SHALL MEET THE REQUIREMENTS OF THE AISC SPECIFICATION FOR THE DESIGN, FABRICATION AND ERECTION OF STRUCTURAL STEEL FOR BUILDINGS.

**PART 4: WELDING**

4.01 WELDING ELECTRODES SHALL BE E70XX AND ALL WELDING SHALL BE PERFORMED BY AN AWS CERTIFIED WELDER.

**PART 5: CONCRETE AND SLABS ON GRADE**

5.01 CAST IN PLACE CONCRETE SHALL BE OF NORMAL WEIGHT, 6% AIR ENTRAINMENT, AND SHALL HAVE A MINIMUM COMPRESSIVE STRENGTH OF 3000 PSI AT 28 DAYS TYP UNO. ALL CONCRETE, INCLUDING CONCRETE FOR FOOTINGS, IS TO BE CAST IN PLACE, TYP UNO.

5.02 REINFORCED CAST IN PLACE CONCRETE SHALL BE PROPORTIONED, MIXED AND PLACED IN ACCORDANCE WITH THE SPECIFICATIONS OF ACI 318, LATEST EDITION.

5.03 SLABS ON GRADE, IF ANY, SHALL CONTAIN SYNTHETIC POLYPROPYLENE FIBRILLATED MICRO FIBERS, FIBER LENGTH 1 1/2", DOSAGE RATE 1 1/2 LBS/CU YD. SLAB TO BE PLACED ON 4 #4 MIN VAPOR BARRIER OR 2" MIN GRANULAR FILL ON SOIL WITH 90% MIN STANDARD PROCTOR DENSITY. VAPOR BARRIER MAY BE OMITTED FOR SLABS NOT IN ENCLOSED AREAS.

**PART 6: REBAR AND WIRE REINFORCEMENT**

6.01 REBAR SHALL BE DEFORMED STEEL CONFORMING TO ASTM A615 GRADE 60 TYP UNO.

6.02 LAP SPLICES SHALL BE CLASS B AS DEFINED BY ACI 318, TYP UNO.

6.03 WIRE REINFORCEMENT SHALL BE 9 GA AND SHALL CONFORM TO ASTM A1064.

**PART 7: MASONRY**

7.01 CONCRETE MASONRY UNITS SHALL CONFORM TO ASTM C90 AND C55, NORMAL WEIGHT, 1M = 1,500 PSI MIN.

7.02 CLAY MASONRY UNITS SHALL CONFORM TO ASTM C62-17 GRADE SW.

7.03 MORTAR SHALL BE TYPE S. MORTAR AND GROUT SHALL CONFORM TO ASTM C476, MIN COMPRESSIVE STRENGTH OF 2000 PSI.

7.04 MASONRY CONSTRUCTION SHALL CONFORM TO THE SPECIFICATIONS OF ACI 530.

7.05 LADDER WIRE REINFORCEMENT SHALL CONFORM TO ASTM A951. 6" MIN LAPS FOR CONTINUOUS WALL APPLICATIONS.

**PART 8: BOLTS AND LAG SCREWS**

8.01 BOLTS SHALL CONFORM TO ASTM A307 MINIMUM GRADE TYP UNO. INSTALL STANDARD STEEL WASHERS (ASTM F844-07a) FOR THE NUT / BOLT HEAD WHEN BOLTING WOOD MEMBERS.

8.02 LAG SCREWS SHALL CONFORM TO ANS/ASME STANDARD B18.2.1-1981. PILOT HOLES SHALL BE USED FOR LAG SCREW INSTALLATION AND SHALL BE BORED ACCORDING TO MFG SPECIFICATIONS. INSTALL STANDARD STEEL WASHERS (ASTM F844-07a) FOR SCREW HEAD.

8.03 ANCHOR RODS AND BOLTS SHALL CONFORM TO ASTM F1554-15 GRADE 36 UNO. BENT ANCHOR BOLTS SHALL HAVE A 2" MIN HOOK UNO.

**PART 9: DRIVEN FASTENERS**

9.01 NAILS, SPIKES AND STAPLES SHALL CONFORM TO ASTM F 1667- 05. NAILS ARE TO BE COMMON WIRE OR BOX.

**PART 10: DIMENSIONAL LUMBER**

10.01 SOLID SAWN WOOD FRAMING DESIGN IS BASED ON NO. 2 SPRUCE PINE FIR OR SYP #2 FOR JOISTS, RAFTERS, GRIDDERS, BEAMS, STUDS, ETC.

**PART 11: ENGINEERED LUMBER**

11.01 LVL OR PSL MINIMUM ALLOWABLE DESIGN STRESSES ARE AS FOLLOWS:  
E = 1.9 X 10<sup>6</sup> PSI, F<sub>b</sub> = 2600 PSI, F<sub>v</sub> = 285 PSI, F<sub>c</sub> = 750 PSI  
LSL MINIMUM ALLOWABLE DESIGN STRESSES ARE AS FOLLOWS:  
E = 1.3 X 10<sup>6</sup> PSI, F<sub>b</sub> = 1700 PSI, F<sub>v</sub> = 400 PSI, F<sub>c</sub> = 680 PSI

## NOTES

11.02 LVL OR PSL MEMBERS MAY BE RIPPEL FROM DEEPER MEMBERS TO MATCH THE MEMBER DEPTH SPECIFIED IN THE PLANS.

**PART 12: PRESSURE TREATED LUMBER**

12.01 LUMBER IN CONTACT WITH THE GROUND, CONCRETE OR MASONRY SHALL BE PRESSURE TREATED IN ACCORDANCE WITH AMPA STANDARD C-15. ALL OTHER EXPOSED LUMBER SHALL BE TREATED IN ACCORDANCE WITH AMPA STANDARD C-2 OR BY ANY METHOD GIVING EQUAL PROTECTION. THE BUILDING CODE OFFICE MAY ALSO APPROVE A NATURAL DECAY RESISTANT WOOD PER SECTION 19-6(A).

**PART 13: STEEL FLUTCH PLATE BEAMS**

13.01 FLUTCH PLATE BEAMS SHALL CONSIST OF A CONTINUOUS STEEL PLATE BOLTED BETWEEN TWO PIECES OF CONTINUOUS LUMBER AS SIZED ON THE PLANS. BOLT PICES TOGETHER USING 1/2" Ø BOLTS SPACED AT 24" O.C. STAGGERED TOP TO BOTTOM OF THE BEAM. MAINTAIN A 2" EDGE DISTANCE. PLACE TWO BOLTS, ONE ABOVE THE OTHER, 6" ± 2" FROM EACH END OF THE BEAM.

**PART 14: STUD SUPPORTS FOR BEAMS**

14.01 STEEL ENGINEERED LUMBER, AND FLUTCH PLATE BEAMS BEARING ON A STUD WALL SHALL BEAR AS FOLLOWS:

1-WHEN THE BEAM IS PERPENDICULAR TO, OR SKEWED RELATIVE TO THE WALL, THE BEAM SHALL BEAR FULL WIDTH ON THE SUPPORTING WALL INDICATED AND SHALL BE SUPPORTED BY A MINIMUM OF THREE GANGED STUDS, OR A GANGED STUD COLUMN WITH A NUMBER OF STUDS SUCH THAT THE STUD COLUMN IS AT LEAST AS WIDE AS THE TRUE WIDTH OF THE BEAM BEING SUPPORTED, WHICHEVER IS GREATER, TYP UNO. FOR THE SKEWED CONDITION PARTICULAR CARE SHALL BE TAKEN TO ENSURE STUD COLUMN IS CENTERED ON THE BEAM.

2-BEAMS BEARING ONTO THE END OF A STUD WALL PARALLEL TO THE BEAM SHALL BEAR A MINIMUM OF 4 1/2" ONTO THE WALL AND BE SUPPORTED BY A TRIPLE STUD GANGED COLUMN TYP UNO.

14.02 DIMENSIONAL LUMBER BEAMS BEARING ON A STUD WALL SHALL BEAR AS FOLLOWS:

1-WHEN THE BEAM IS PERPENDICULAR TO, OR SKEWED RELATIVE TO THE WALL, THE BEAM SHALL BEAR FULL WIDTH ON THE SUPPORTING WALL INDICATED (LESS 1 1/2" TO ALLOW FOR A CONTINUOUS RIM JOIST WHERE APPLICABLE) AND SHALL BE SUPPORTED BY A GANGED STUD COLUMN THE SAME WIDTH AS THE BEAM TYP UNO. (E.G. A TRIPLE 2X10 IS TO BE SUPPORTED BY (3) STUDS). FOR THE SKEWED CONDITION PARTICULAR CARE SHALL BE TAKEN TO ENSURE STUD COLUMN IS CENTERED ON THE BEAM.

2-BEAMS BEARING ONTO THE END OF A STUD WALL PARALLEL TO THE BEAM SHALL BEAR A MINIMUM OF 3" ONTO THE WALL AND BE SUPPORTED BY A DBL STUD GANGED COLUMN TYP UNO.

14.03 EXTRA JOISTS BEARING ON A STUD WALL PERPENDICULAR TO OR SKEWED RELATIVE TO THE BEAM SHALL BE SUPPORTED BY ONE ADDITIONAL STUD.

14.04 STUDS THAT ARE GANGED TO FORM A COLUMN SHALL HAVE ADJACENT STUDS WITHIN THE COLUMN NAILED TOGETHER WITH ONE ROW OF 10d NAILS AT 8" O.C. (TWO ROWS OF 10d NAILS @ 8" O.C., 3" APART, FOR 2X8 OR 2X10 STUDS) ALL COLUMNS SHALL BE CONTINUOUS DOWN TO THE FOUNDATION OR OTHER PROPERLY DESIGNED STRUCTURAL ELEMENT SUCH AS A BEAM. COLUMNS TRANSFERRING LOADS THROUGH FLOOR LEVELS SHALL BE SOLIDLY BLOCKED FOR THE FULL WIDTH OF THE STUD COLUMN WITHIN THE CAVITY FORMED BY THE FLOOR JOISTS.

**PART 15: NAILING OF MULTI-PLY WOOD BEAMS**

15.01 SOLID SAWN LUMBER JOISTS THAT ARE GANGED TO FORM A BEAM SHALL HAVE ADJACENT MEMBERS IN THE BEAM NAILED TOGETHER WITH THREE ROWS OF 10d NAILS @ 16" O.C. FOR 2X10 OR LARGER, TWO ROWS OF 10d NAILS @ 16" O.C. FOR 2X8, ONE ROW OF 10d NAILS @ 16" O.C. FOR 2X6 OR SMALLER. STAGGER ROWS 5" MIN.

15.02 LVL MEMBERS THAT ARE GANGED TO FORM A BEAM SHALL HAVE ADJACENT MEMBERS IN THE BEAM FASTENED TOGETHER PER MANUFACTURERS RECOMMENDATIONS, TYP UNO.

**PART 16: WALL FRAMING AND BRACING**

16.01 STUD WALLS SHALL CONSIST OF 2X4 STUDS SPACED AT 16" O.C. UNO. STUDS SHALL BE CONTINUOUS FROM SOLE PLATE AT FLOOR TO DOUBLE TOP PLATE AT THE CEILING OR ROOF. NO INTERMEDIATE BANDS OR PLATES SHALL CAUSE DISCONTINUITIES IN A STUD WALL EXCEPT AS REQUIRED FOR DOOR OR WINDOW OPENINGS. THE KING STUDS FOR SUCH OPENINGS SHALL BE CONTINUOUS, TYP UNO.

MAX ALLOWABLE WALL HEIGHTS FOR EXTERIOR STUD WALLS, INCLUSIVE OF SOLE PLATE AND DBL TOP PLATE AND 7/16" OSB EXTERIOR BRACING AND ROW OF 2X4 2X6 PURLINS AT 8' HEIGHT (AND AT 16' HEIGHT FOR TALL WALLS), TYP UNO:  
2x4 @ 16" O.C.: 11'-1 1/2" 2x6 @ 16" O.C.: 17'-0"  
2x4 @ 12" O.C.: 12'-1 1/2" 2x6 @ 12" O.C.: 18'-8"  
DBL 2x4 @ 16" O.C.: 13'-4" DBL 2x6 @ 16" O.C.: 21'-0"

16.02 FOR WALL BRACING THE FOLLOWING SHALL APPLY:  
-BLOCKING AT UNSUPPORTED PANEL EDGES IS REQUIRED TYP UNO.  
-WALL BRACING IS BY ENGINEERED DESIGN AND NOT PRESCRIPTIVE PER SECTION 602.10 OF THE 2018 NCR. CONTINUOUS SHEATHING HAS BEEN PROVIDED, ALONG WITH ALTERNATIVE METHODS TO INSURE THE MINIMUM INTENT OF SECTION 602.10 OF THE 2018 NCR HAS BEEN MET AND EXCEEDED.  
-BRACED WALL PANELS SHALL BE FASTENED IN ACCORDANCE WITH TABLE 602.3(1) TO PROVIDE CONTINUOUS PANEL UPLIFT RESISTANCE AND COMPLIANCE WITH NCRBC R602.3.5 AND R802.11 UNLESS NOTED OTHERWISE ON STRUCTURAL PLANS.  
-MAY SUBSTITUTE WSP FOR OSB  
-SINGLE JOIST, CONTINUOUS RIM JOIST, OR BLOCKING OF EQUAL DEPTH IS REQUIRED ABOVE AND BELOW ALL BRACED WALLS. NAIL BLOCKING ABOVE WALL TO TOP PLATE WITH 16d TOE NAILS @ 6" O.C. NAIL SOLE PLATE OF BRACED WALL TO BLOCKING BELOW WITH (3) 16d NAILS @ 16" O.C. BLOCKING AT HORIZONTAL JOINTS IN BRACED WALL LINES ONLY REQUIRED AT SHADDED WALLS, UNO.

**PART 17: KING STUDS**

17.01 KING STUDS FOR OPENINGS IN EXTERIOR WALLS SHALL BE AS FOLLOWS:

MAX OPENING WIDTH	NUMBER OF KING STUDS				
	5'-0"	9'-0"	13'-0"	17'-0"	21'-0"
2x4	1	2	3	4	5
2x6	1	1	2	1	2
2x8	1	1	1	1	2

**PART 18: SUBSTITUTIONS**

18.01 MATERIAL OR MEMBER SIZE SUBSTITUTIONS OR PLAN DEVIATIONS REQUIRE THE WRITTEN AUTHORIZATION OF THE DESIGNERS. UNAUTHORIZED DEVIATIONS ARE THE SOLE RESPONSIBILITY OF THE CONTRACTOR.

**PART 19: OWNERSHIP OF STRUCTURAL DESIGN**

19.01 THE STRUCTURAL DESIGN OF THIS PLAN IS THE PROPERTY OF ENGINEERING TECH ASSOCIATES (ETA). THESE PLANS ARE FOR THE ONE TIME USE AT THE LOCATION INDICATED AND FOR THE CLIENT LISTED. ETA ASSUMES NO LIABILITY FOR THESE PLANS IF THEY ARE REPRODUCED, IN WHOLE OR IN PART, FOR CONSTRUCTION AT ANY OTHER LOCATION WITHOUT WRITTEN PERMISSION FROM ETA.

## ABBREVIATIONS

ABV ABOVE  
B. BOTH ENDS  
B.E. BETWEEN  
BTWN BETWEEN  
CP CAST IN PLACE  
CONC CONCRETE  
CS CONTINUOUS SHEATHING  
DIA DIAMETER  
EQ EACH  
DBL DOUBLE  
DJ DOUBLE JOIST  
DSP DBL STUD POCKET  
EQ EQUAL  
EA EACH  
FLG FLANGE  
FL FL  
FLR FLOOR

FND FOUNDATION  
FTG FOOTING  
HDC HOT DIPPED  
HGR HANGER  
LVL LAMINATED VENER LUMBER  
NLS NOT TO SCALE  
O.C. ON CENTER  
PSL PARALLEL STRAND LUMBER  
PT PRESSURE TREATED  
QJ QUAD JOIST  
SP STUD POCKET  
SQ SQUARE

TJ TRIPLE JOIST  
TYP TYPICAL  
TRPL TRIPLE  
TSP TRIPLE STUD POCKET  
UNO UNLESS NOTED OTHERWISE  
XJ EXTRA JOIST

## ALLOWABLE I-JOIST SUBSTITUTION

NOTE: MAINTAIN JOIST DEPTH, DIRECTION, AND SPACING SPECIFIED ON PLANS.

MANUFACTURER	DEPTH	SERIES	SIMPSON FACE MOUNT HGR	SIMPSON TOP FLANGE HGR
BLUELINE	11.875"	BLI 40	IUS2.56/11.88	ITS2.56/11.88
BOISE CASCADE	11.875"	BCI 5000s	IUS2.06/11.88	ITS2.06/11.88
BOISE CASCADE	11.875"	BCI 6000s	IUS2.37/11.88	ITS2.37/11.88
INTERNATIONAL BEAMS	11.875"	IB 400	IUS2.56/11.88	ITS2.56/11.88
LP CORP	11.875"	LPI 20+	IUS2.56/11.88	ITS2.56/11.88
NORDIC	11.875"	NI 40X	IUS2.56/11.88	ITS2.56/11.88
ROSEBURG	11.875"	RFP1 40s	IUS2.56/11.88	ITS2.56/11.88
WEYERHAEUSER	11.875"	TJ 210	IUS2.06/11.88	ITS2.06/11.88
WEYERHAEUSER	11.875"	EEI-20	IUS2.37/11.88	ITS2.37/11.88

## DECK SPECIFICATIONS

1. A DECK IS AN EXPOSED EXTERIOR WOOD FLOOR STRUCTURE WHICH MAY BE ATTACHED TO A STRUCTURE OR BE FREE STANDING. ROOFED PORCHES, OPEN OR SCREENED IN, MAY BE CONSTRUCTED USING THESE PROVISIONS.

2. SUPPORT POSTS SHALL BE SUPPORTED BY A FOOTING.

3. WHEN ATTACHED TO A STRUCTURE, THE STRUCTURE TO WHICH ATTACHED SHALL HAVE A TREATED WOOD BAND FOR THE LENGTH OF THE DECK, OR CORROSION RESISTANT FLASHING SHALL BE USED TO PREVENT MOISTURE FROM COMING IN CONTACT WITH THE UNTREATED FRAMING OF THE STRUCTURE. THE DECK BAND AND THE STRUCTURE BAND SHALL BE CONSTRUCTED IN CONTACT WITH EACH OTHER EXCEPT AT BRICK VENER AND WHERE PLYWOOD SHEATHING IS REQUIRED AND PROPERLY FLASHED. SIDING SHALL NOT BE INSTALLED BETWEEN THE STRUCTURE AND THE DECK BAND. IF ATTACHED TO A BRICK STRUCTURE, NEITHER FLASHING NOR A TREATED BAND FOR THE BRICK STRUCTURE IS REQUIRED. IN ADDITION, THE TREATED DECK BAND SHALL BE CONSTRUCTED IN CONTACT WITH THE BRICK.

4. WHEN THE DECK IS SUPPORTED AT THE STRUCTURE BY ATTACHING THE DECK TO THE STRUCTURE, THE FOLLOWING ATTACHMENT SCHEDULES SHALL APPLY FOR ATTACHING THE DECK BAND TO THE STRUCTURE:

A. ALL STRUCTURES EXCEPT BRICK STRUCTURES

JOIST LENGTH	
UP TO 8' MAX.	UP TO 16' MAX.

REQUIRED FASTENERS ONE- 5/8" Ø BOLT @ 42" O.C. AND ONE- 5/8" Ø BOLT @ 20" O.C. AND (2) ROWS OF 12d NAILS @ 8" O.C. OR TWO ROWS OF SIMPSON SDWS224008 @ Ø = 32" O.C. STAGGERED Ø Ø = 16" O.C. STAGGERED

A. BRICK VENER STRUCTURES

JOIST LENGTH	
UP TO 8' MAX.	UP TO 16' MAX.

REQUIRED FASTENERS ONE- 5/8" Ø BOLT @ 28" O.C. ONE- 5/8" Ø BOLT @ 16" O.C.

5. IF THE DECK BAND IS SUPPORTED BY A 1/2" MINIMUM MASONRY LEDGE ALONG THE FOUNDATION WALL, 5/8" Ø BOLTS SPACED @ 48" O.C. MAY BE USED FOR SUPPORT.

6. OTHER MEANS OF SUPPORT, SUCH AS JOIST HANGERS, MAY BE USED TO CONNECT DECK JOISTS TO A TREATED STRUCTURE BAND.

7. GRIDDERS SHALL BEAR DIRECTLY ON POSTS OR BE CONNECTED TO THE SIDES OF POSTS WITH 2- 5/8" Ø BOLTS

8. FLOOR DECKING SHALL BE NO. 2 GRADE TREATED SOUTHERN PINE OR EQUIVALENT. THE MINIMUM FLOOR DECKING THICKNESS SHALL BE AS FOLLOWS:

9. MAXIMUM HEIGHT OF DECK SUPPORT POSTS IS AS FOLLOWS:

JOIST SPAN	DECKING
12" O.C.	1" S4S
16" O.C.	1" T&G
24" O.C.	1 1/4" S4S
32" O.C.	2" S4S

POST SIZE MAX POST HEIGHT

4x4	8'
6x6	20'
ENGINEERED	20' +

NOTES: 1) THIS TABLE IS BASED ON NO. 2 TREATED SOUTHERN PINE POSTS.  
2) THIS TABLE IS BASED ON A MAXIMUM TRIBUTARY AREA OF 128 SQ. FT.  
3) POST HEIGHT IS FROM TOP OF FOOTING TO BOTTOM OF GRIDER.

10. DECKS SHALL BE BRACED TO PROVIDE LATERAL STABILITY BY ONE OF THE FOLLOWING METHODS:

A. WHEN THE DECK FLOOR HEIGHT IS LESS THAN 4'-0" AND THE DECK IS ATTACHED TO THE STRUCTURE IN ACCORDANCE WITH SECTION 4, LATERAL BRACING IS NOT REQUIRED.

B. 4X4 WOOD KNEE BRACES MAY BE PROVIDED ON EACH COLUMN IN BOTH DIRECTIONS. THE KNEE BRACES SHALL ATTACH TO EACH POST AT A POINT NOT LESS THAN 1/3 OF THE POST LENGTH FROM THE TOP OF THE POST, AND THE BRACES SHALL BE ANGLED BETWEEN 45° AND 60° FROM THE HORIZONTAL. KNEE BRACES SHALL BE ATTACHED AT THE ENDS TO THE GRIDER AND THE POST WITH ONE - 5/8" Ø BOLT

C. FOR FREE STANDING DECKS WITHOUT KNEE BRACES OR DIAGONAL BRACING, LATERAL STABILITY MAY BE PROVIDED BY EMBEDDING THE POSTS IN CONCRETE IN ACCORDANCE WITH THE FOLLOWING:

POST SIZE	TRIBUT. AREA	POST HEIGHT	EMB. DEPTH	CONC. DIAM.
4x4	48 SQ. FT.	4'-0"	2'-6"	1'-0"
6x6	120 SQ. FT.	6'-0"	3'-6"	1'-8"

D. 2X6 DIAGONAL VERTICAL CROSS BRACING SHALL BE PROVIDED IN TWO PERPENDICULAR DIRECTIONS FOR FREE STANDING DECKS OR PARALLEL TO THE STRUCTURE AT THE EXTERIOR COLUMN LINE FOR ATTACHED DECKS. THE BRACES SHALL BE ATTACHED TO THE POSTS WITH ONE - 5/8" Ø BOLT AT EACH END OF THE BRACE.

NOTES: 1) ALL NAILS AND BOLTS ARE TO BE HOT DIPPED GALVANIZED.  
2) MINIMUM EDGE DISTANCE FOR BOLTS IS 2 1/2".  
3) NAILS MUST PENETRATE THE SUPPORTING STRUCTURE BAND A MINIMUM OF 1 1/2".

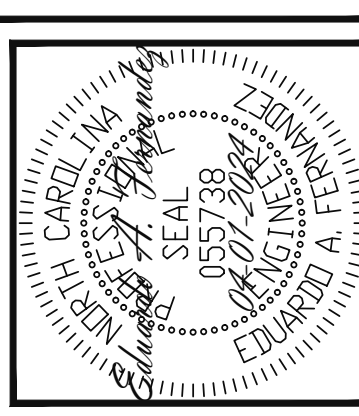
## ALLOWABLE I-JOIST SUBSTITUTION

NOTE: MAINTAIN JOIST DEPTH, DIRECTION, AND SPACING SPECIFIED ON PLANS.

MANUFACTURER	DEPTH	SERIES	SIMPSON FACE MOUNT HGR	SIMPSON TOP FLANGE HGR
BLUELINE	11.875"	BLI 40	IUS2.56/11.88	ITS2.56/11.88
BOISE CASCADE	11.875"	BCI 5000s	IUS2.06/11.88	ITS2.06/11.88
BOISE CASCADE	11.875"	BCI 6000s	IUS2.37/11.88	ITS2.37/11.88
INTERNATIONAL BEAMS	11.875"	IB 400	IUS2.56/11.88	ITS2.56/11.88
LP CORP	11.875"	LPI 20+	IUS2.56/11.88	ITS2.56/11.88
NORDIC	11.875"	NI 40X	IUS2.56/11.88	ITS2.56/11.88
ROSEBURG	11.875"	RFP1 40s	IUS2.56/11.88	ITS2.56/11.88
WEYERHAEUSER	11.875"	TJ 210	IUS2.06/11.88	ITS2.06/11.88
WEYERHAEUSER	11.875"	EEI-20	IUS2.37/11.88	ITS2.37/11.88

JOISTS NOT LISTED IN THE ABOVE TABLE MAY BE USED PROVIDED THEY MEET OR EXCEED THE PROPERTIES OF THOSE LISTED. SUBSTITUTE USP BRAND HANGERS WITH EQUIVALENT VALUES AS DESIRED.

The structural design of this plan is the property of Engineering Tech Associates, P.A. These plans are for the one time use at the location and for the client listed. Engineering Tech Associates, P.A. assumes no liability for these plans if they are reproduced, in whole or in part, for construction at any other location without written permission from Engineering Tech Associates, P.A.



**Engineering Tech Associates, P.A.**

**STRUCTURAL ENGINEERS**  
License No. C-3870  
318 W Millbrook Rd, Unit 201  
Raleigh, North Carolina 27609  
Phone (919) 844-1661

<b>SCOPE:</b>	NEW HOMES INC
	STRUCTURAL ADDENDUM
<b>LOC:</b>	QUILFORD MASTER PLANS GEORGIAN - RH
<b>REV #</b>	REF PROJ # 1 24-66-122 2 24-66-241
<b>DATE</b>	04-01-2024 06-26-2024

ENG: EAF/RJS  
DATE: 02-23-2024

PROJECT NO.  
24-65-003\_241R

SHEET NO.  
SPECS

10 of 10