



SEE FOUNDATION NOTES

FRONT ELEVATION

Scale: 1/4" = 1'0"

9'0" CEILING HEIGHT FIRST FLOOR
(HEADER HEIGHT 7'6")
8'0" CEILING HEIGHT SECOND FLOOR
(HEADER HEIGHT 7')

FRAME WINDOWS TO HEADER HEIGHT



LEFT ELEVATION

Scale: 1/8" = 1'0"



RIGHT ELEVATION

Scale: 1/8" = 1'0"



REAR ELEVATION

Scale: 1/8" = 1'0"

SHEET TITLE:
ELEVATIONS

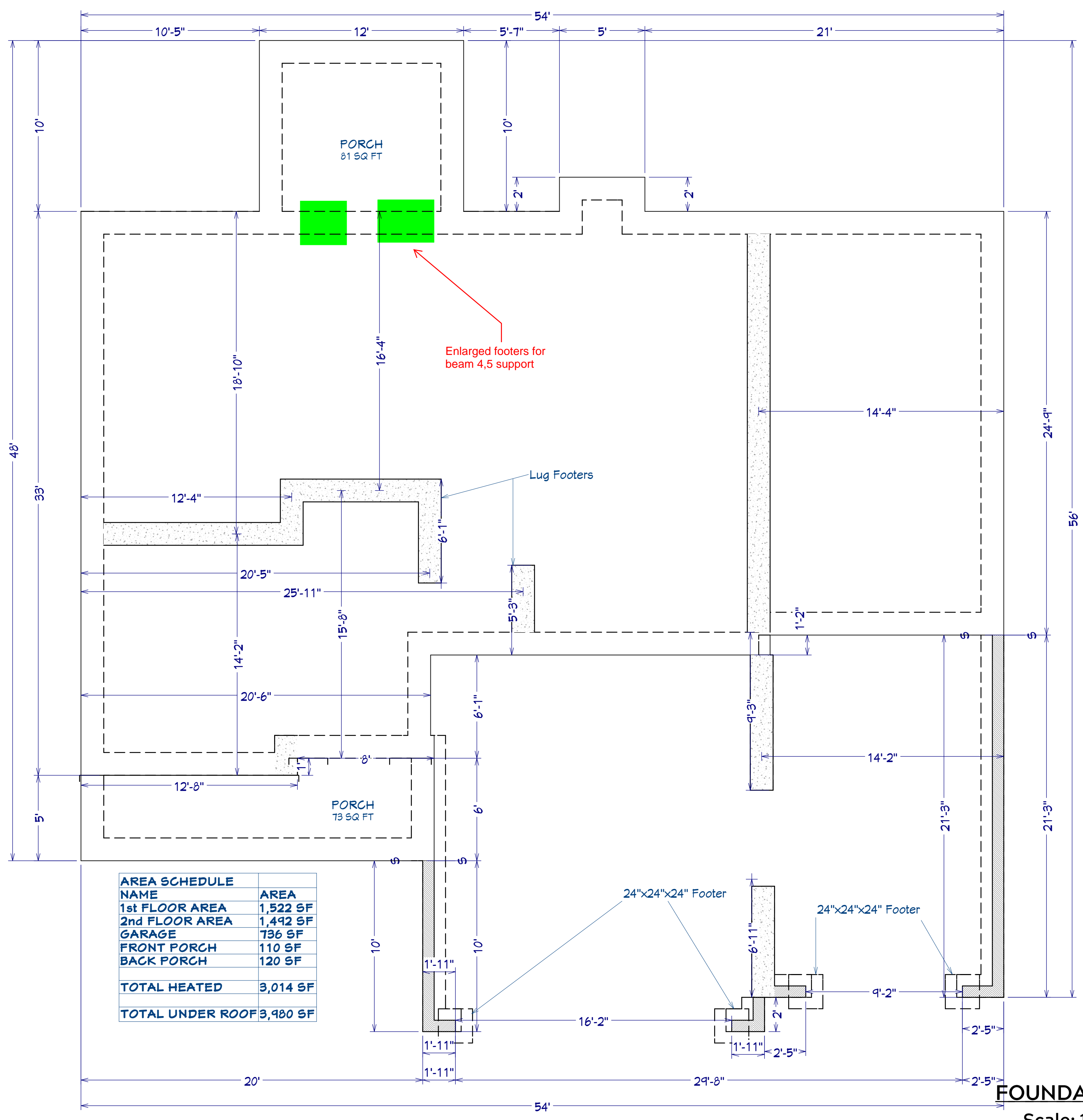
PROJECT ADDRESS:
Magnolia Hills Lot 3

DESIGNED BY:
Precision Custom Homes
Raeford, NC
Shaun@PrecisionCustomHomesNC.com

DATE:
7/25/24

SCALE:
1/4" = 1'

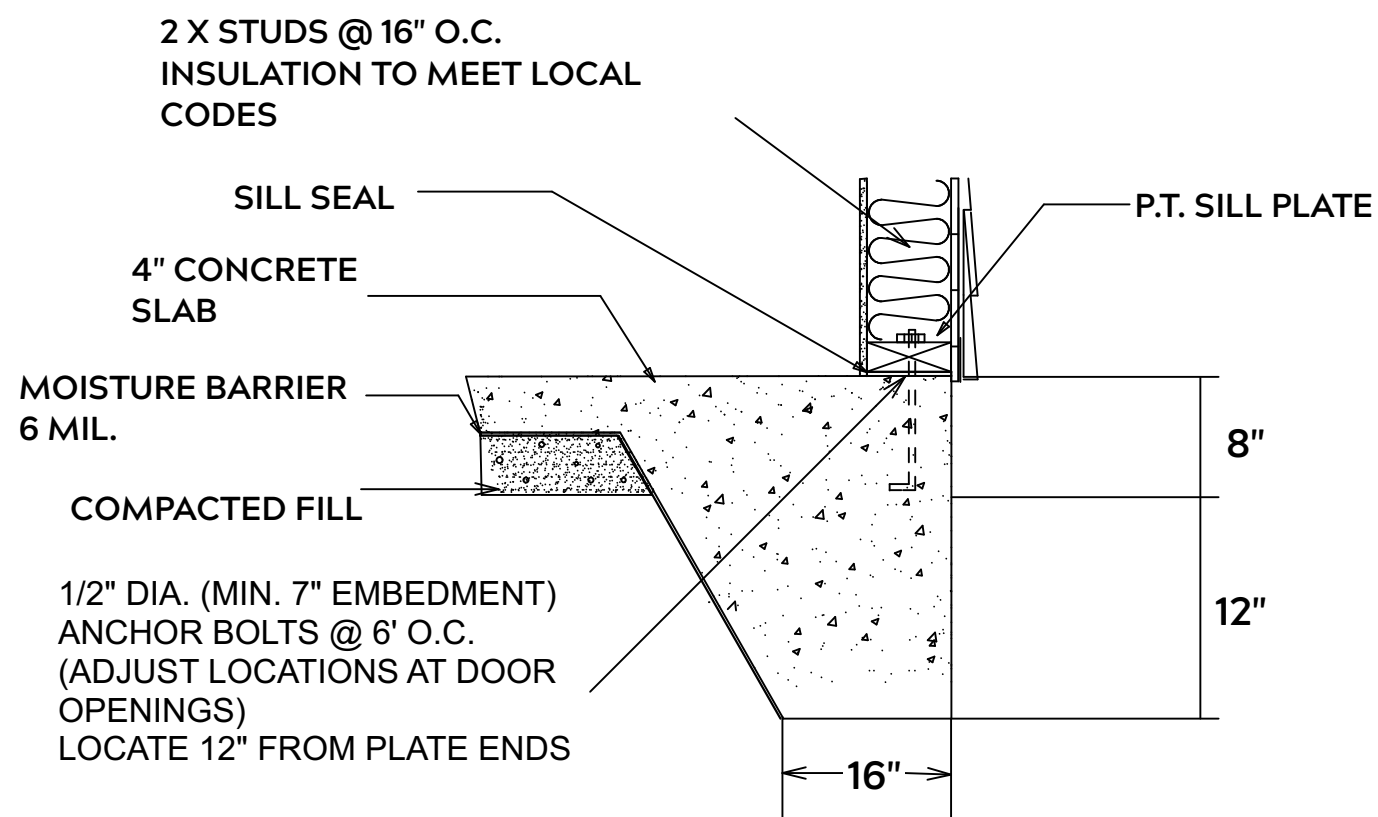
SHEET:
A-1



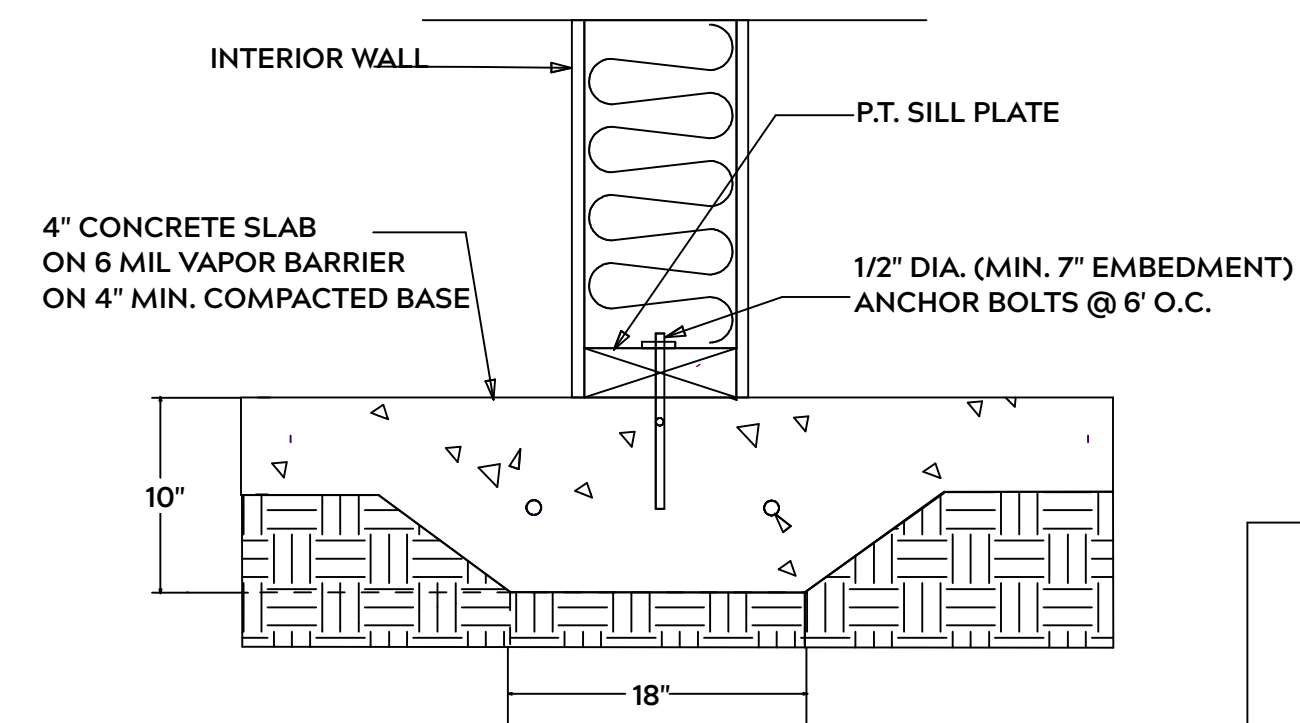
| AREA SCHEDULE | |
|-------------------------|-----------------|
| NAME | AREA |
| 1st FLOOR AREA | 1,522 SF |
| 2nd FLOOR AREA | 1,492 SF |
| GARAGE | 736 SF |
| FRONT PORCH | 110 SF |
| BACK PORCH | 120 SF |
| TOTAL HEATED | 3,014 SF |
| TOTAL UNDER ROOF | 3,980 SF |

FOUNDATION PLAN
Scale: 1/4" = 1'0"





MONOLITHIC SLAB



LUG FOOTING

FOUNDATION NOTES:

ALL FOOTINGS SHALL BEAR ON ORIGINAL UNDISTURBED SOIL
THE 28 DAY COMPRESSIVE STRENGTH OF ALL FOOTINGS IS 3000 PSI

PROVIDE WATER PROOFING AND PERIMTER DRAINS AS REQUIRED

FOOTING WIDTHS ARE BASED ON A LOAD BEARING SOIL CAPACITY OF 2000 PSI

PROVIDE 6 MIL POLY VAPOR BARRIER TO COVER GROUND IN CRAWL SPACE AND GROUND UNDER POURED CONCRETE

ALL ANCHOR BOLTS TO BE 1/2" X 12" LONG. ANCHOR BOLTS SHALL BE SPACED AT A MAXIMUM OF 6' ON CENTER AND NO MORE THEN 1' FROM EACH CORNER

GENERAL FRAMING NOTES:

ALL LUMBER IN CONTACT WITH CONCRETE OR MASONRY SHALLE BE PRESSURE TREATED

FRAMING LUMBER SHALL BE SYP #2 GRADE AND / OR SPRUCE PINE FIR #1 AND / OR KILN DRIED

WHERE PRE-ENGINEERED JOISTS AND TRUSSES ARE USED, MANUFACTURER SHALL PROVIDE DRAWINGS / SCHEMATICS, WHICH SHALL BEAR OF A N.C. ENGINEER

STUDS AND JOISTS SHALL NOT BE CUT TO INSTALL PLUMBING OR WIRING WITHOUT ADDING METAL OR WOOD SIDE PANELS TO STRENGTHEN MEMBER TO ITS ORIGINAL CAPACITY

NAIL MULTIPLE MEMBERS WITH 2 ROWS OF 16d NAILS STAGGERED 32" O.C. AND USE 3 X 16d NAILS 2" IN AT EACH END.

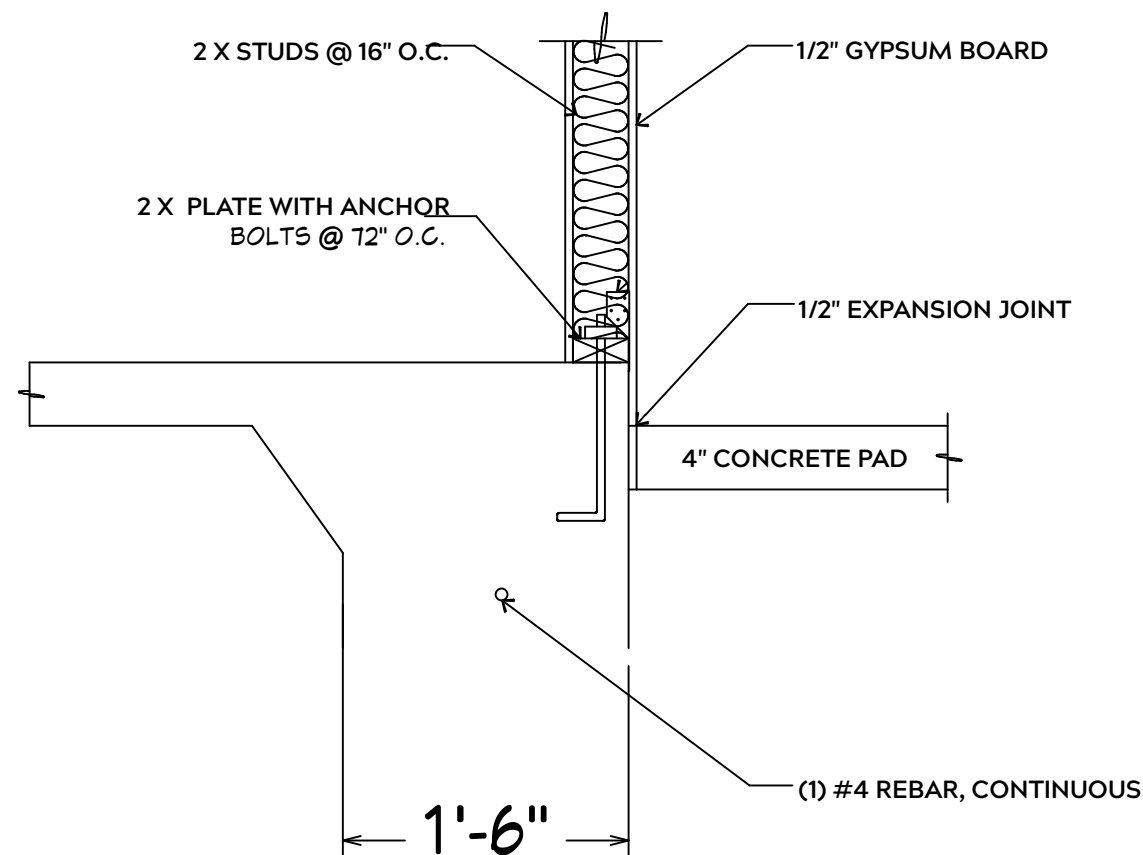
NAIL FLOOR JOISTS TO SILL PLATE WITH WITH 8d TOE NAILS

ALL EXPOSED FRAMING ON PORCHES OR DECKS SHALL BE PRESSURE TREATED

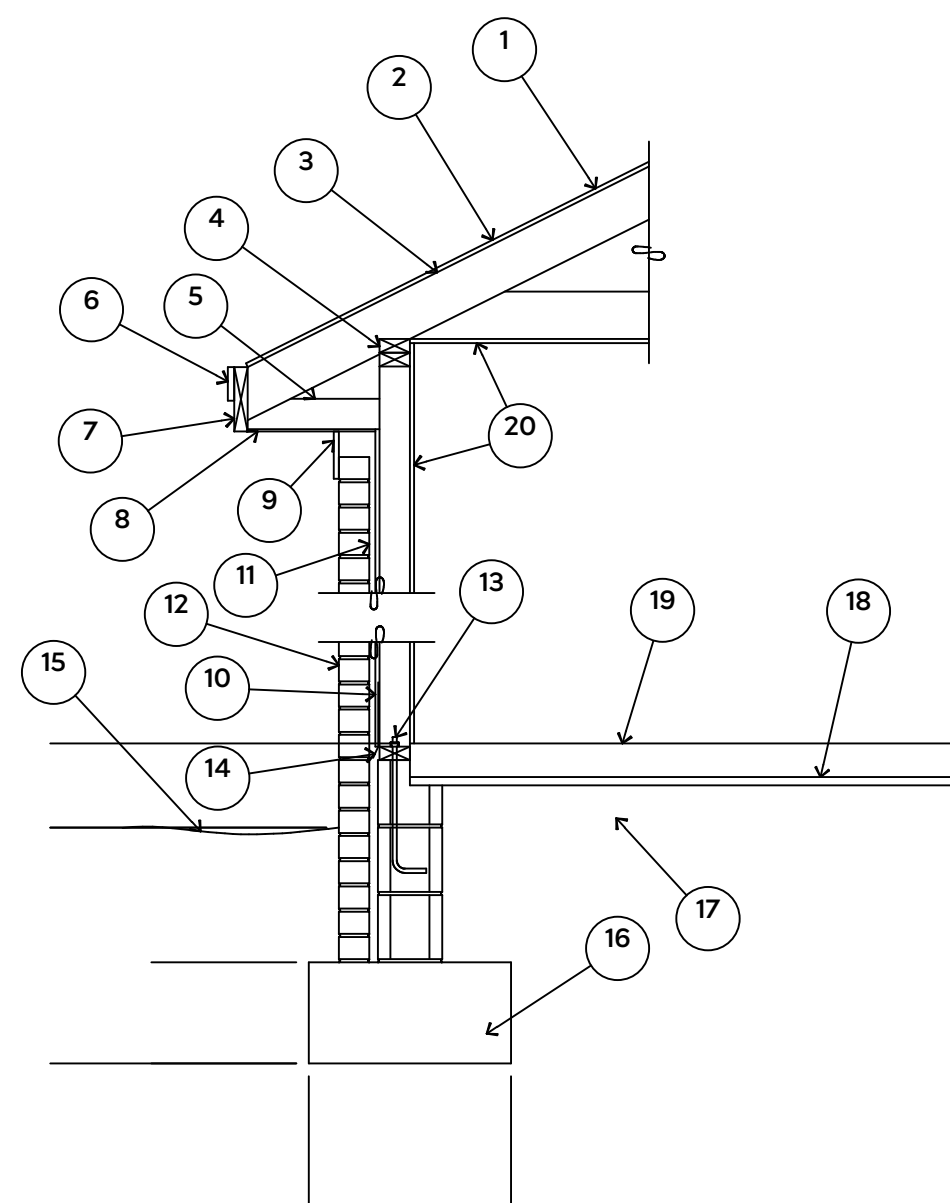
PROVIDE WATERPROOFING AND DRAINS AS REQUIRED

ALL FRAMING TO BE 16" O.C. WALL FRAMING DIMENSIONS ARE BASED ON 2X4 OR 2X6 EXTERIOR WALLS AND 2X4 INTERIOR WALLS. DOULBE / TRIPLE JACK STUDS AS NECESSARY UNDER HEADERS AS REQUIRED

LVL'S TO BE SIZED BY OTHERS (TRUSS MANUFACTURER)

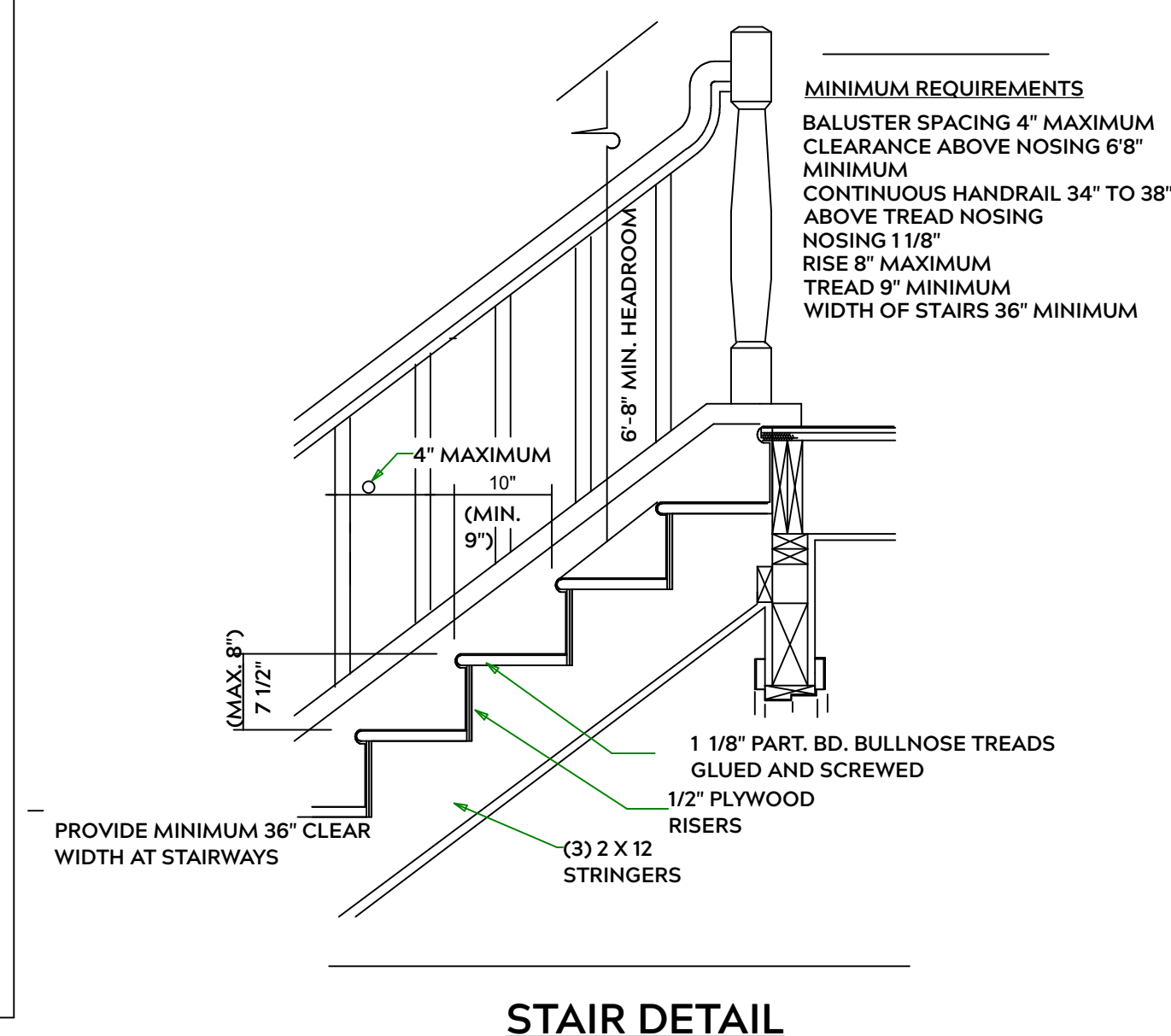


INTERIOR WALL @ GARAGE STEP DOWN

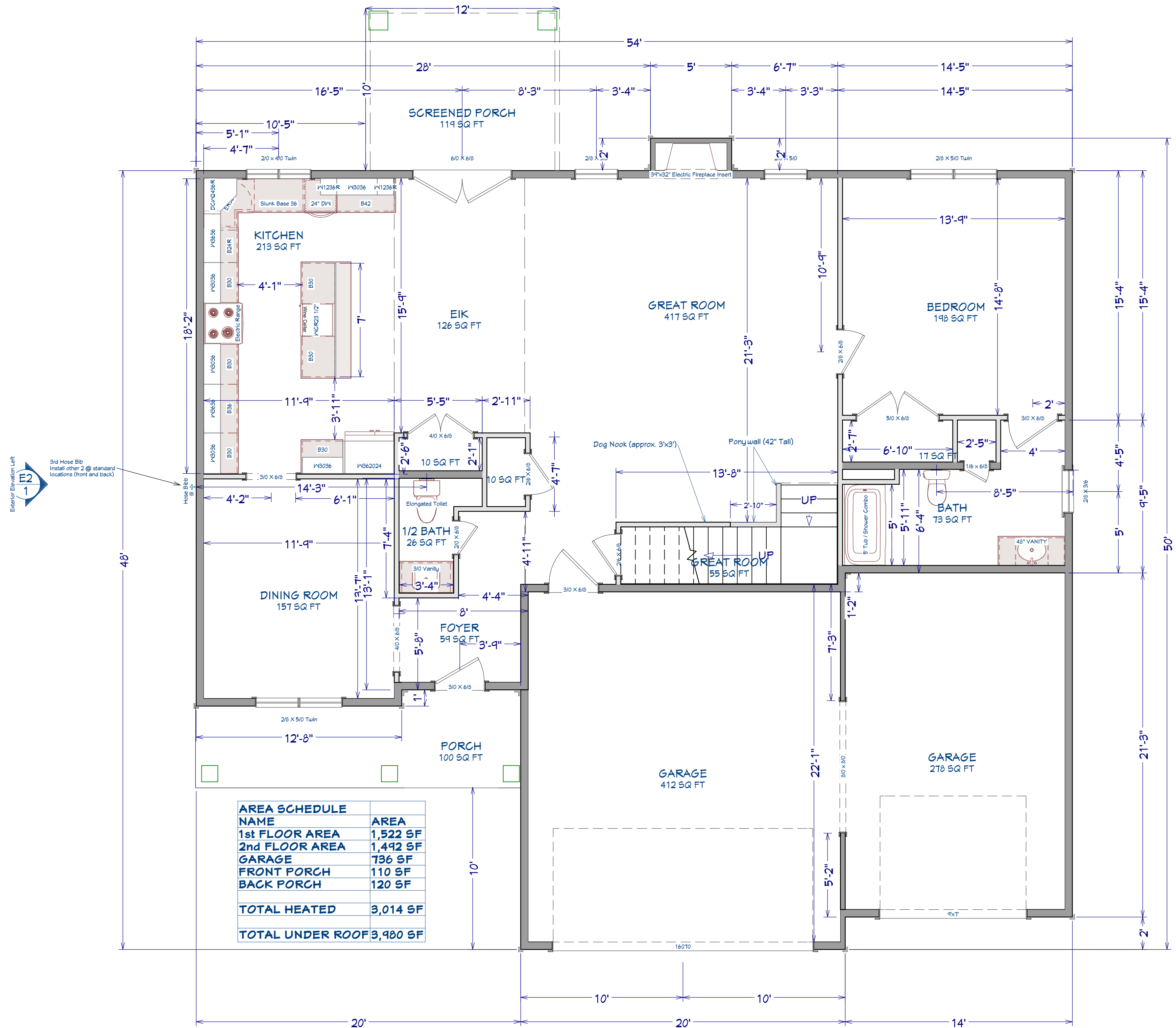


1. 15# FELT UNDERLAYMENT UNDER COMPOSITION SHINGLES.
2. ROOF DECKING.
3. 2 X RAFTERS / ENGINEERED TRUSSES
4. DOUBLE TOP PLATE.
5. 2 X 4 RETURN.
6. 3/4" FASCIA OR PVC TRIM COIL
7. 2 X FASCIA
8. 1/4" PLYWOOD OR VINYL SOFFIT
9. 1 X FREIZE BOARD (TO BE USED WITH BRICK VENEERS)
10. INSULATION BOARD OR HOUSE WRAP
11. AIR SPACE.
12. BRICK WITH BRICK TIES PER MANUFACTURER'S SPECIFICATIONS.
13. 1/2" X 12" ANCHOR BOLTS, 6'-0" O.C., 12" FROM CORNERS.
14. FLASHING WITH WEEP HOLES @ 48" O.C.
15. FINISHED GRADE.
16. FOOTING
17. COMPACTED EARTH FILL.
18. 6 MIL. VAPOR BARRIER
19. 4" CONCRETE SLAB, 3,000 P.S.I. WITH 6" X 6" 10 GA. X 10 GA. WELDED WIRE FABRIC.
20. 1/2" GYPSUM BOARD.

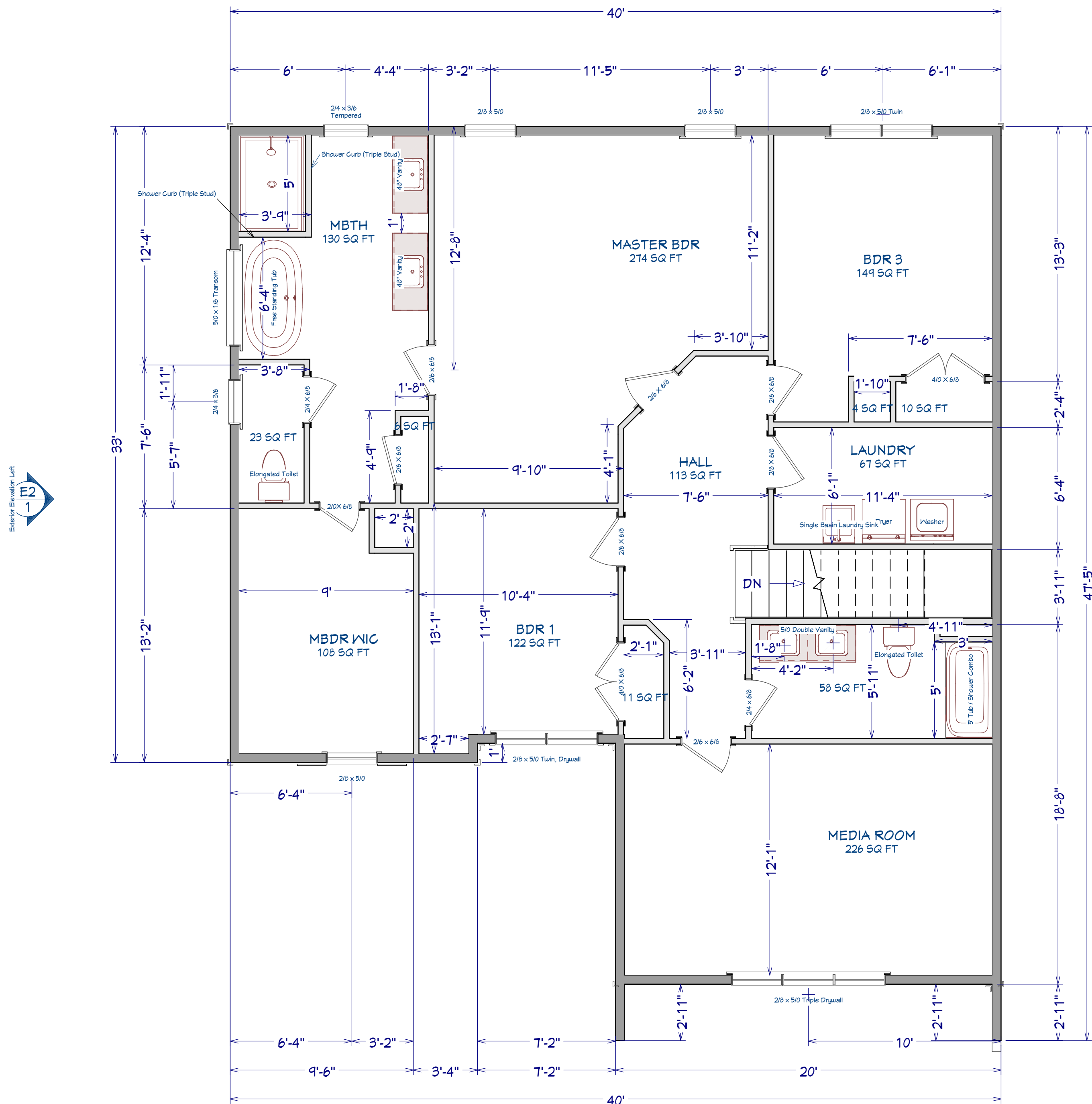
EXTERIOR WALL SECTION



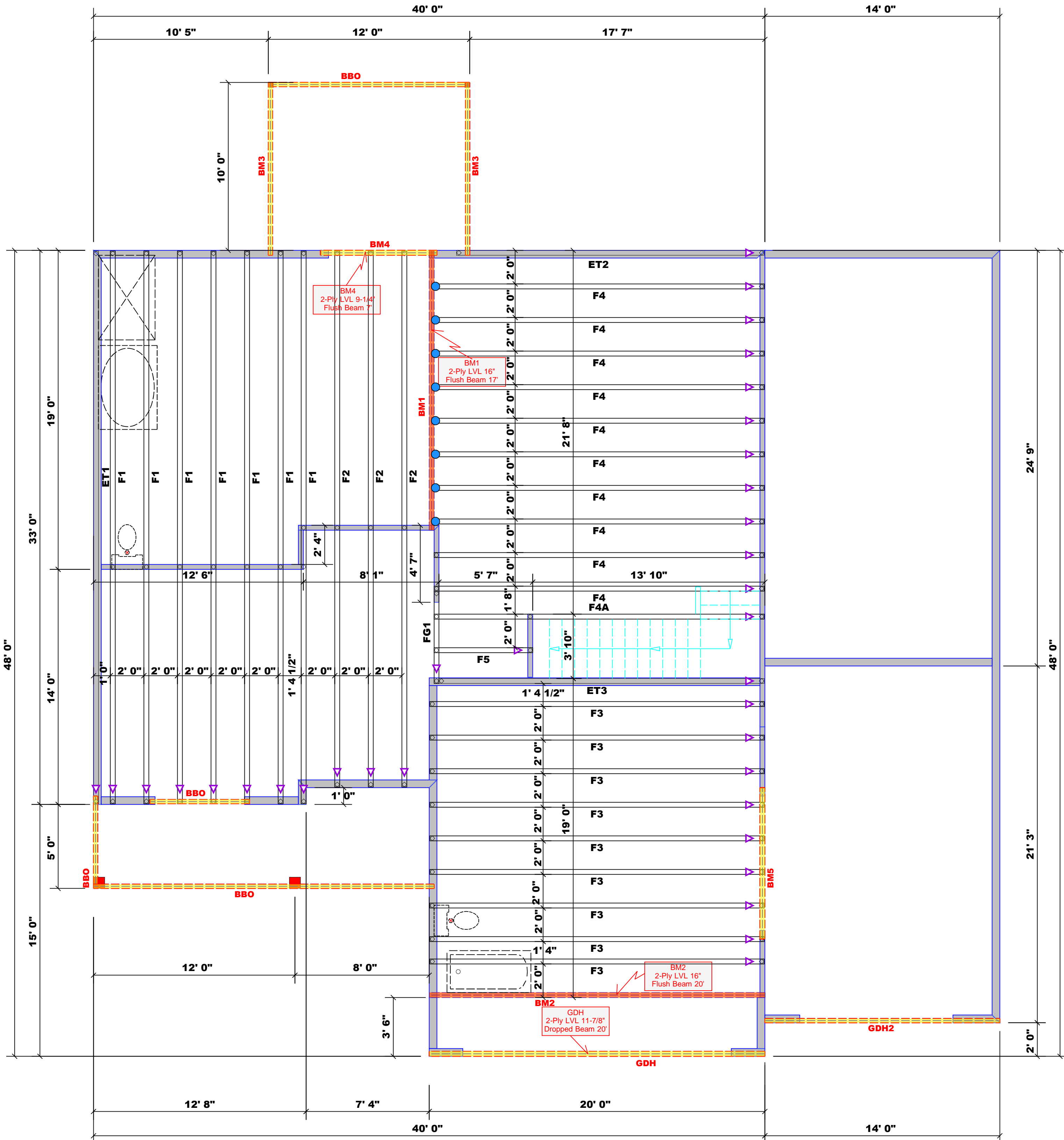
STAIR DETAIL



| AREA SCHEDULE NAME | AREA |
|-------------------------|-----------------|
| 1st FLOOR AREA | 1,522 SF |
| 2nd FLOOR AREA | 1,492 SF |
| GARAGE | 736 SF |
| FRONT PORCH | 110 SF |
| BACK PORCH | 120 SF |
| TOTAL HEATED | 3,014 SF |
| TOTAL UNDER ROOF | 3,980 SF |



| AREA SCHEDULE | |
|-------------------------|-----------------|
| NAME | AREA |
| 1st FLOOR AREA | 1,522 SF |
| 2nd FLOOR AREA | 1,492 SF |
| GARAGE | 736 SF |
| FRONT PORCH | 110 SF |
| BACK PORCH | 120 SF |
| TOTAL HEATED | 3,014 SF |
| TOTAL UNDER ROOF | 3,980 SF |



| Products | | | | | |
|----------|--------|-----------------------------|-------|---------|----------|
| PlotID | Length | Product | Plies | Net Qty | Fab Type |
| BM1 | 17' 0" | 1-3/4"x 16" LVL Kerto-S | 2 | 2 | FF |
| BM2 | 20' 0" | 1-3/4"x 16" LVL Kerto-S | 2 | 2 | FF |
| BM3 | 12' 0" | 2x10 SP No.2 | 2 | 4 | FF |
| BM4 | 7' 0" | 1-3/4"x 9-1/4" LVL Kerto-S | 2 | 2 | FF |
| BM5 | 9' 0" | 1-3/4"x 11-7/8" LVL Kerto-S | 2 | 2 | FF |
| GDH | 20' 0" | 1-3/4"x 11-7/8" LVL Kerto-S | 2 | 2 | FF |
| GDH2 | 14' 0" | 2x12 SPF No.2 | 2 | 2 | FF |

1 Truss Placement Plan
Scale: 1/4"=1'

- Dimension Notes**
- All exterior wall to wall dimensions are to face of sheathing unless noted otherwise
 - All interior wall dimensions are to face of frame wall unless noted otherwise
 - All exterior wall to truss dimensions are to face of frame wall unless noted otherwise

| Connector Information | | | | Nail Information | |
|-----------------------|---------|-------|-----|------------------|-------------------------|
| Sym | Product | Manuf | Qty | Supported Member | Header / Truss |
| ● | HUS410 | USP | 8 | Varies | 16d/3-1/2" / 16d/3-1/2" |

- Plumbing Drop Notes**
- Plumbing drop locations shown are NOT exact.
 - Contractor to verify ALL plumbing drop locations prior to setting Floor Trusses.
 - Adjust spacing as needed not to exceed 24"oc.

▲ = Indicates Left End of Truss (Reference Engineered Truss Drawing)
Do NOT Erect Truss Backwards

LOAD CHART FOR JACK STUDS
(BASED ON TABLES B502.5(1) & (2))
NUMBER OF JACK STUDS REQUIRED @ EA END OF HEADERS

| END REACTION (UP TO) 2x12 LVL HEADERS | END REACTION (UP TO) 2x12 LVL HEADERS | END REACTION (UP TO) 2x12 LVL HEADERS | END REACTION (UP TO) 2x12 LVL HEADERS |
|---------------------------------------|---------------------------------------|---------------------------------------|---------------------------------------|
| 1700 | 2550 | 3400 | |
| 3400 | 5100 | 6800 | |
| 5100 | 7650 | 10200 | |
| 6800 | 10200 | 13600 | |
| 8500 | 12750 | 17000 | |
| 10200 | 15300 | | |
| 11900 | | | |
| 13600 | | | |
| 15300 | | | |

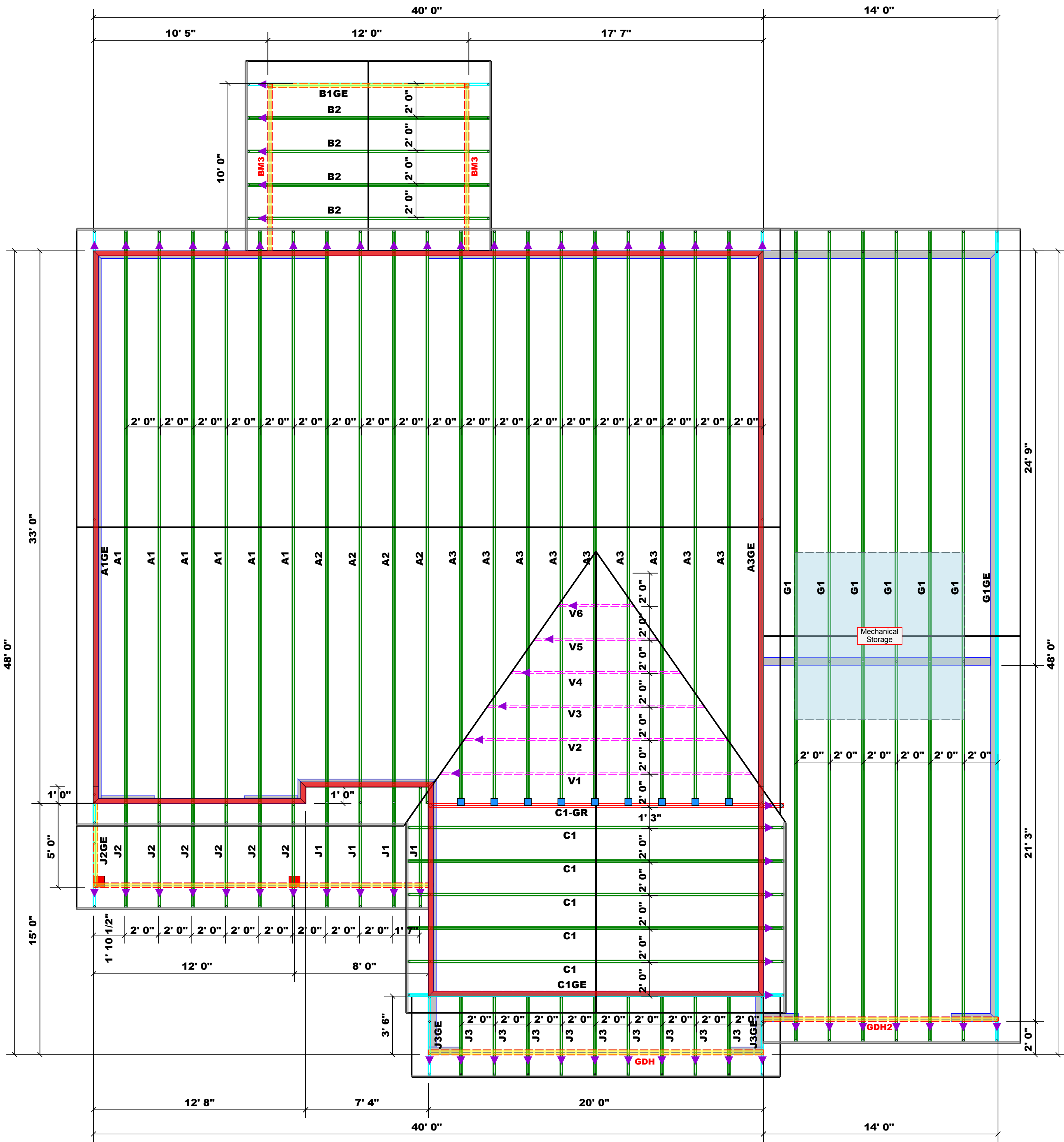
| | | | |
|------------------|--|------------------|------------------------|
| BUILDER | Precision Custom Homes and Renovations | COUNTY | Cameron / Harnett |
| JOB NAME | Lot 3 Magnolia Hills | ADDRESS | Lot 21 Liberty Meadows |
| PLAN | Liberty 2.0 | MODEL | Floor |
| SEAL DATE | N/A | DATE REV. | // |
| QUOTE # | | DRAWN BY | David Landry |
| JOB # | J0524-2972 | SALESMAN | Neil Baggett |

THIS IS A TRUSS PLACEMENT DIAGRAM ONLY.
These trusses are designed as individual building components to be incorporated into the building design at the specification of the building designer. See individual design sheets for each truss design identified on the placement drawing. The building designer is responsible for temporary and permanent bracing of the roof and floor system and for the overall structure. The design of the truss support structure including headers, beams, walls, and columns is the responsibility of the building designer. For general guidance regarding bracing, consult BCSH-B1 and BCSH-B3 provided with the truss delivery package or online @ sbcindustry.com

Bearing reactions less than or equal to 3000# are deemed to comply with the prescriptive Code requirements. The contractor shall refer to the attached Tables (derived from the prescriptive Code requirements) to determine the minimum foundation size and number of wood studs required to support reactions greater than 3000# but not greater than 15000#. A registered design professional shall be retained to design the support system for any reaction that exceeds those specified in the attached Tables. A registered design professional shall be retained to design the support system for all reactions that exceed 15000#.

Signature: David Landry

comtech
ROOF & FLOOR TRUSSES & BEAMS
Reilly Road Industrial Park
Fayetteville, N.C. 28309
Phone: (910) 864-8787
Fax: (910) 864-4444



| Products | | | | | |
|----------|--------|-----------------------------|-------|---------|----------|
| PlotID | Length | Product | Plies | Net Qty | Fab Type |
| BM1 | 17' 0" | 1-3/4"x 16" LVL Kerto-S | 2 | 2 | FF |
| BM2 | 20' 0" | 1-3/4"x 16" LVL Kerto-S | 2 | 2 | FF |
| BM3 | 12' 0" | 2x10 SP No.2 | 2 | 4 | FF |
| BM4 | 7' 0" | 1-3/4"x 9-1/4" LVL Kerto-S | 2 | 2 | FF |
| BM5 | 9' 0" | 1-3/4"x 11-7/8" LVL Kerto-S | 2 | 2 | FF |
| GDH | 20' 0" | 1-3/4"x 11-7/8" LVL Kerto-S | 2 | 2 | FF |
| GDH2 | 14' 0" | 2x12 SPF No.2 | 2 | 2 | FF |

1 Truss Placement Plan
Scale: 1/4"=1'

Dimension Notes
 1. All exterior wall to wall dimensions are to face of sheathing unless noted otherwise
 2. All interior wall dimensions are to face of frame wall unless noted otherwise
 3. All exterior wall to truss dimensions are to face of frame wall unless noted otherwise

| Connector Information | | | | | Nail Information | |
|-----------------------|---------|-------|-----|------------------|------------------|------------|
| Sym | Product | Manuf | Qty | Supported Member | Header | Truss |
| ■ | HUS26 | USP | 9 | NA | 16d/3-1/2" | 16d/3-1/2" |

| Hatch Legend | |
|--------------|-----------------|
| | Box Storage |
| | Drop Beam |
| | 2nd Floor Walls |

Roof Area = 3371.07 sq.ft.
 Ridge Line = 96.21 ft.
 Hip Line = 0 ft.
 Horiz. OH = 183.58 ft.
 Raked OH = 213.39 ft.
 Decking = 116 sheets

= Indicates Left End of Truss
 (Reference Engineered Truss Drawing)
 Do NOT Erect Truss Backwards

| LOAD CHART FOR JACK STUDS | | | |
|---|---------------------------|---------------------------|--|
| (BASED ON TABLES B502.5(1) & (2)) | | | |
| NUMBER OF JACK STUDS REQUIRED @ EA END OF HEAD/SOURCE | | | |
| END REACTION (UP TO) 1700 | END REACTION (UP TO) 2550 | END REACTION (UP TO) 3400 | |
| 1 | 1 | 1 | |
| 3400 | 5100 | 6800 | |
| 2 | 2 | 2 | |
| 5100 | 7650 | 10200 | |
| 3 | 3 | 3 | |
| 6800 | 10200 | 13600 | |
| 4 | 4 | 4 | |
| 8500 | 12750 | 17000 | |
| 5 | 5 | 5 | |
| 10200 | 15300 | | |
| 6 | | | |
| 11900 | | | |
| 7 | | | |
| 13600 | | | |
| 8 | | | |
| 15300 | | | |
| 9 | | | |

| | | | |
|------------------|--|------------------|------------------------|
| BUILDER | Precision Custom Homes and Renovations | COUNTY | Cameron / Harnett |
| JOB NAME | Lot 3 Magnolia Hills | ADDRESS | Lot 21 Liberty Meadows |
| PLAN | Liberty 2.0 | MODEL | Roof |
| SEAL DATE | N/A | DATE REV. | // |
| QUOTE # | | DRAWN BY | David Landry |
| JOB # | J0524-2972 | SALESMAN | Neil Baggett |

THIS IS A TRUSS PLACEMENT DIAGRAM ONLY.
 These trusses are designed as individual building components to be incorporated into the building design at the specification of the building designer. See individual design sheets for each truss design identified on the placement drawing. The building designer is responsible for temporary and permanent bracing of the roof and floor system and for the overall structure. The design of the truss support structure including headers, beams, walls, and columns is the responsibility of the building designer. For general guidance regarding bracing, consult BCSI-B1 and BCSI-B3 provided with the truss delivery package or online @ sbcindustry.com

Bearing reactions less than or equal to 3000# are deemed to comply with the prescriptive Code requirements. The contractor shall refer to the attached Tables (derived from the prescriptive Code requirements) to determine the minimum foundation size and number of wood studs required to support reactions greater than 3000# but not greater than 15000#. A registered design professional shall be retained to design the support system for any reaction that exceeds those specified in the attached Tables. A registered design professional shall be retained to design the support system for all reactions that exceed 15000#.

Signature _____
David Landry

comtech
ROOF & FLOOR TRUSSES & BEAMS
 Reilly Road Industrial Park
 Fayetteville, N.C. 28309
 Phone: (910) 864-8787
 Fax: (910) 864-4444

North Carolina 2018 - R402.1.5 Total UA

**Property**

Cameron, NC 28326
Model: Liberty
Community: Liberty Meadows

Organization

Southern Energy Manager
Justin Smith

Inspection Status

Results are projected

Template - SMG Precision - Liberty
Meadows lot 14 - CZ 3 slab -
Liberty Meadows lot 14

Builder

SMG Precision Properties

This report is based on a proposed design and does not confirm field enforcement of design elements.

Building UA

| Elements | NC Reference | As Designed |
|--|--------------|--------------|
| Ceilings | 56.8 | 53.9 |
| Above-Grade Walls | 203.3 | 151.0 |
| Windows, Doors and Skylights | 115.3 | 103.5 |
| Slab Floor: | 86.5 | 112.9 |
| Framed Floors | 17.4 | 19.0 |
| Foundation Walls | 0.0 | 0.0 |
| Rim Joists | 8.4 | 6.8 |
| Overall UA (Design must be equal or lower): | 487.7 | 447.1 |

Requirements

| | | |
|---|---------------------|---|
| ✓ | 402.1.5 | Total UA alternative compliance passes by 8.3%. |
| ✓ | 402.3.2 | Average SHGC: 0.28 Max SHGC: 0.30 |
| ✓ | R402.4.2.2 | Air Leakage Testing Air sealing is 4.80 ACH at 50 Pa. It must not exceed 5.00 ACH at 50 Pa. |
| ✓ | R402.5 | Area-weighted average fenestration SHGC |
| ✓ | R402.5 | Area-weighted average fenestration U-Factor |
| ✓ | R404.1 | Lighting Equipment Efficiency |
| ✓ | Mandatory Checklist | Mandatory code requirements that are not checked by Ekotrope must be met. |
| ✓ | R403.3.1 | Duct Insulation |
| ✓ | 403.3.3 | Duct Testing |

Design exceeds requirements for North Carolina 2018 Prescriptive compliance by 8.3%.

Name: Justin Smith
Organization: Southern Energy Management

Signature: Justin Smith
Digitally signed: 8/9/22 at 11:20 AM

Ekotrope RATER - Version 4.0.1.2966

North Carolina 2018 Prescriptive compliance results calculated using Ekotrope RATER's energy and code compliance algorithm, including appropriate amendments.
Ekotrope RATER is a RESNET Accredited HERS Rating Tool. All results are based on data entered by Ekotrope users.
Ekotrope disclaims all liability for the information shown on this report.

Building Summary



Property
 Cameron, NC 28326
 Model: Liberty
 Community: Liberty Meadows

Organization
 Southern Energy Management
 Justin Smith

Inspection Status
 Results are projected

Template - SMG Precision - Liberty Meadows lot 14
 - CZ 3 slab - ecoSelect
 Liberty Meadows lot 14

Builder
 SMG Precision Properties

General Building Information

| | |
|----------------------------------|------------------------|
| Number Of Bedrooms | 3 |
| Number Of Floors | 2 |
| Conditioned Floor Area [sq. ft.] | 3,014 |
| Has Electric Vehicle Ready Space | No |
| Unconditioned, attached garage? | Yes |
| Conditioned Volume [cu. ft.] | 27,126 |
| Total Units in Building | 1 |
| Residence Type | Single family detached |
| Number of Floors in Building | - |
| Floor Number | - |
| Model | Liberty |
| Community | Liberty Meadows |
| RESNET/IECC 2006 Climate Zone | 4A |
| IECC 2021 Climate Zone | 3A |

Foundation Wall

None Present

Foundation Wall Library List

None Present

Slab

| Name | Library Type | Perimeter | Floor Grade | Carpet R | Exposed Masonry Area | Surface Area | Location | Enclosing |
|------|--------------|-----------|-------------|----------|----------------------|--------------|------------------|-------------------|
| slab | Uninsulated | 178 | On Grade | 1 | 0 | 1,522.0 ft² | Exposed Exterior | Conditioned Space |

Slab Library List

| Name | Wall Construction Type | Slab Completely Insulated? | Underslab Insulation Width [ft] | Perimeter Insulation Depth [ft] | Perimeter Insulation R Value | Thermal Break | Effective R-value |
|-------------|------------------------|----------------------------|---------------------------------|---------------------------------|------------------------------|---------------|-------------------|
| Uninsulated | Wood Frame / Other | No | 0 | 0 | 0 | No | 0.00 |

Building Summary



SOUTHERN ENERGY
MANAGEMENT
ENERGY EFFICIENCY & SOLAR POWER

Property
Cameron, NC 28326
Model: Liberty
Community: Liberty Meadows

Organization
Southern Energy Management
Justin Smith

Inspection Status
Results are projected

Template - SMG Precision - Liberty Meadows lot 14
- CZ 3 slab - ecoSelect
Liberty Meadows lot 14

Builder
SMG Precision Properties

Framed Floor

| Name | Library Type | Carpet R | Floor Grade | Surface Area | Location |
|-------------|-----------------------|----------|-------------|-----------------------|--------------------------------|
| over garage | R 19, 16"OC G1 Carpet | 0 | Above Grade | 371.0 ft ² | Unconditioned, attached garage |

Framed Floor Library List

| Name | Effective R-value |
|-----------------------|-------------------|
| R 19, 16"OC G1 Carpet | 19.566 |

Rim Joist

| Name | Library Type | Surface Area | Location |
|-------------------|----------------|-----------------------|--------------------------------|
| 1st floor ambient | R 19 G1, 16"OC | 127.0 ft ² | Exposed Exterior |
| 1st floor garage | R 19 G1, 16"OC | 25.0 ft ² | Unconditioned, attached garage |

Rim Joist Library List

| Name | Effective Insulation R-value |
|----------------|------------------------------|
| R 19 G1, 16"OC | 17.30 |

Wall

| Name | Library Type | Surface Color | Surface Area | Location |
|-------------------|------------------------------|---------------|-------------------------|--------------------------------|
| 1st floor ambient | R 19 Adv. Framing G1 16" O.C | Medium | 1,242.0 ft ² | Exposed Exterior |
| 1st floor garage | R 19 Adv. Framing G1 16" O.C | Medium | 360.0 ft ² | Unconditioned, attached garage |
| 2nd floor ambient | R 19 Adv. Framing G1 16" O.C | Medium | 1,016.0 ft ² | Exposed Exterior |
| 2nd floor attic | R 19 Adv. Framing G1 16" O.C | Medium | 352.0 ft ² | Attic |

Building Summary



Property
 Cameron, NC 28326
 Model: Liberty
 Community: Liberty Meadows

Organization
 Southern Energy Management
 Justin Smith

Inspection Status
 Results are projected

Template - SMG Precision - Liberty Meadows lot 14
 - CZ 3 slab - ecoSelect
 Liberty Meadows lot 14

Builder
 SMG Precision Properties

Wall Library List

| Name | Effective R-value |
|------------------------------|-------------------|
| R 19 Adv. Framing G1 16" O.C | 17.492 |

Glazing

| Name | Library Type | Wall Assignment | Foundation Wall Assignment | Is Operable | Overhang Depth | Overhang Ft To Top | Overhang Ft To Bottom | Orientation | Surface Area |
|--------------------|--------------|-------------------|----------------------------|-------------|----------------|--------------------|-----------------------|-------------|----------------------|
| front 2nd unshaded | 33/28 | 2nd floor ambient | | Yes | 0 | 0 | 0 | West | 66.8 ft ² |
| front shaded | 33/28 | 1st floor ambient | | Yes | 5 | 2 | 7 | West | 26.7 ft ² |
| left 2nd unshaded | 33/28 | 2nd floor ambient | | Yes | 0 | 0 | 0 | North | 15.7 ft ² |
| rear 2nd unshaded | 33/28 | 2nd floor ambient | | Yes | 0 | 0 | 0 | East | 61.6 ft ² |
| rear shaded | 33/28 | 1st floor ambient | | Yes | 10 | 2 | 9 | East | 40.0 ft ² |
| rear unshaded | 33/28 | 1st floor ambient | | Yes | 0 | 0 | 0 | East | 69.4 ft ² |
| right unshaded | 33/28 | 1st floor ambient | | Yes | 0 | 0 | 0 | South | 9.3 ft ² |

Glazing Library List

| Name | Shgc | U-factor |
|-------|------|----------|
| 33/28 | 0.28 | 0.330 |

Skylight

None Present

Skylight Library List

None Present

Building Summary



Property
 Cameron, NC 28326
 Model: Liberty
 Community: Liberty Meadows

Organization
 Southern Energy Management
 Justin Smith

Inspection Status
 Results are projected

SOUTHERN ENERGY MANAGEMENT
 ENERGY EFFICIENCY & SOLAR POWER

Template - SMG Precision - Liberty Meadows lot 14
 - CZ 3 slab - ecoSelect
 Liberty Meadows lot 14

Builder
 SMG Precision Properties

Opaque Door

| Name | Library Type | Wall Assignment | Foundation Wall Assignment | Emittance | Solar Absorptance | Surface Color | Surface Area | Location |
|--------------|----------------|-------------------|----------------------------|-----------|-------------------|---------------|--------------|--------------------------------|
| front entry | Fiberglass R-5 | 1st floor ambient | | 0.9 | 0.75 | Medium | 20.0 ft² | Exposed Exterior |
| garage entry | Fiberglass R-5 | 1st floor garage | | 0.9 | 0.75 | Medium | 20.0 ft² | Unconditioned, attached garage |

Opaque Door Library List

| Name | Effective U-factor |
|----------------|--------------------|
| Fiberglass R-5 | 0.200 |

Roof Insulation

| Name | Library Type | Attic Exterior Area [ft²] | Clay or Concrete Roof Tiles | Surface Color | Surface Area | Location |
|-------|--|---------------------------|-----------------------------|---------------|--------------|----------|
| attic | R 38 Attic BLOWN FG G1 2x10 24"OC NO Radiant Barrier | 2,782.71 | No | Dark | 1,893.0 ft² | Attic |

Roof Insulation Library List

| Name | Has Radiant Barrier | Effective R-value |
|--|---------------------|-------------------|
| R 38 Attic BLOWN FG G1 2x10 24"OC NO Radiant Barrier | No | 35.115 |

Whole House Infiltration

| Infiltration | Measurement Type | Shelter Class |
|-------------------|--------------------|---------------|
| 2170 CFM at 50 Pa | Blower-door tested | 4 |

Mechanical Ventilation

None Present

Building Summary



Property
Cameron, NC 28326
Model: Liberty
Community: Liberty Meadows

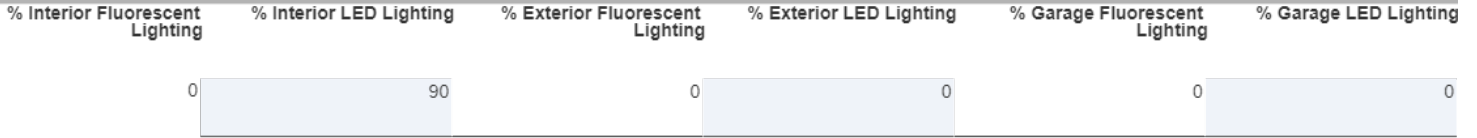
Organization
Southern Energy Management
Justin Smith

Inspection Status
Results are projected

Template - SMG Precision - Liberty Meadows lot 14
- CZ 3 slab - ecoSelect
Liberty Meadows lot 14

Builder
SMG Precision Properties

Lighting



Onsite Generation

None Present

Onsite Generation Library List

None Present

Solar Generation

None Present

Dehumidifier

None Present

Dehumidifier Library List

None Present

Whole House Fan

None Present

Building Summary



Property
 Cameron, NC 28326
 Model: Liberty
 Community: Liberty Meadows

Organization
 Southern Energy Management
 Justin Smith

Inspection Status
 Results are projected

Template - SMG Precision - Liberty Meadows lot 14
 - CZ 3 slab - ecoSelect
 Liberty Meadows lot 14

Builder
 SMG Precision Properties

Whole House Fan Library List

None Present

Conditioning Equipment

| Name | Library Type | Serial Number | Heating Percent Load | Cooling Percent Load | Hot Water Percent Load | Location |
|---------------------|------------------------|---------------|----------------------|----------------------|------------------------|----------------------|
| 1st floor heat pump | z 24k 14 SEER 8.2hspf | | 50% | 50% | 0% | Attic |
| 2nd floor heat pump | z 24k 14 SEER 8.2hspf | | 50% | 50% | 0% | Attic |
| Water Heating | z 50 gal. 0.95 EF Elec | | 0% | 0% | 100% | Unconditioned Garage |

Equipment Type: z 24k 14 SEER 8.2hspf

| | |
|-------------------------------|----------------------|
| Equipment Type | Air Source Heat Pump |
| Fuel Type | Electric |
| Distribution Type | Forced Air |
| Motor Type | PSC (Single Speed) |
| Heating Efficiency | 8.2 HSPF |
| Heating Capacity [kBtu/h] | 24 |
| Backup Fuel Type | Electric |
| Switchover Temperature [°F] | 0 |
| Backup Heating Efficiency | 1 COP |
| Use default Supplemental Heat | Yes |
| Cooling Efficiency | 14 SEER |
| Cooling Capacity [kBtu/h] | 24 |

Equipment Type: z 50 gal. 0.95 EF Elec

| | |
|-----------------------------|-----------------------------|
| Equipment Type | Residential Water Heater |
| Fuel Type | Electric |
| Distribution Type | Hydronic Delivery (Radiant) |
| Hot Water Efficiency | 0.95 Energy Factor |
| Tank Capacity (gal.) | 50 |
| Hot Water Capacity [kBtu/h] | 40 |
| Recovery Efficiency | 0.98 |

Building Summary

Property

Cameron, NC 28326
 Model: Liberty
 Community: Liberty Meadows

Organization

Southern Energy Management
 Justin Smith

Inspection Status

Results are projected



SOUTHERN ENERGY
MANAGEMENT
 ENERGY EFFICIENCY & SOLAR POWER

Template - SMG Precision - Liberty Meadows lot 14
 - CZ 3 slab - ecoSelect
 Liberty Meadows lot 14

Builder

SMG Precision Properties

Distribution System

| | |
|------------------------------------|--------------------------------|
| Distribution Type | Forced Air |
| Heating Equipment | 1st floor heat pump |
| Cooling Equipment | 1st floor heat pump |
| Sq. Feet Served | 1,522 |
| # Return Grilles | 2 |
| Supply Duct R Value | 8 |
| Return Duct R Value | 8 |
| Supply Duct Area [ft²] | 410.94 |
| Return Duct Area [ft²] | 152.2 |
| Leakage to Outdoors | 60 CFM @ 25Pa (3.94 / 100 ft²) |
| Total Leakage | 60 CFM25 |
| Total Leakage Duct Test Conditions | Post-Construction |
| Use Default Flow Rate | Yes |
| Duct 1 | |
| Duct Location | Attic (well vented) |
| Percent Supply Area | 70 |
| Percent Return Area | 70 |
| Duct 2 | |
| Duct Location | Conditioned Space |
| Percent Supply Area | 30 |
| Percent Return Area | 30 |
| Duct 3 | |
| Duct Location | Conditioned Space |
| Percent Supply Area | 0 |
| Percent Return Area | 0 |
| Duct 4 | |
| Duct Location | Conditioned Space |
| Percent Supply Area | 0 |
| Percent Return Area | 0 |
| Duct 5 | |
| Duct Location | Conditioned Space |
| Percent Supply Area | 0 |
| Percent Return Area | 0 |
| Duct 6 | |
| Duct Location | Conditioned Space |
| Percent Supply Area | 0 |
| Percent Return Area | 0 |

Building Summary



Property
 Cameron, NC 28326
 Model: Liberty
 Community: Liberty Meadows

Organization
 Southern Energy Management
 Justin Smith

Inspection Status
 Results are projected

Template - SMG Precision - Liberty Meadows lot 14
 - CZ 3 slab - ecoSelect
 Liberty Meadows lot 14

Builder
 SMG Precision Properties

Distribution System

| | |
|-------------------------------------|---|
| Distribution Type | Forced Air |
| Heating Equipment | 2nd floor heat pump |
| Cooling Equipment | 2nd floor heat pump |
| Sq. Feet Served | 1,492 |
| # Return Grilles | 2 |
| Supply Duct R Value | 8 |
| Return Duct R Value | 8 |
| Supply Duct Area [ft ²] | 402.84 |
| Return Duct Area [ft ²] | 149.2 |
| Leakage to Outdoors | 59 CFM @ 25Pa (3.95 / 100 ft ²) |
| Total Leakage | 59 CFM25 |
| Total Leakage Duct Test Conditions | Post-Construction |
| Use Default Flow Rate | Yes |
| Duct 1 | |
| Duct Location | Attic (well vented) |
| Percent Supply Area | 100 |
| Percent Return Area | 100 |
| Duct 2 | |
| Duct Location | Conditioned Space |
| Percent Supply Area | 0 |
| Percent Return Area | 0 |
| Duct 3 | |
| Duct Location | Conditioned Space |
| Percent Supply Area | 0 |
| Percent Return Area | 0 |
| Duct 4 | |
| Duct Location | Conditioned Space |
| Percent Supply Area | 0 |
| Percent Return Area | 0 |
| Duct 5 | |
| Duct Location | Conditioned Space |
| Percent Supply Area | 0 |
| Percent Return Area | 0 |
| Duct 6 | |
| Duct Location | Conditioned Space |
| Percent Supply Area | 0 |
| Percent Return Area | 0 |

HVAC Grading

HVAC Grading Not Conducted

Ceiling Fan

| | |
|-----------------|-----|
| Has Ceiling Fan | No |
| Cfm Per Watt | 100 |

Building Summary



Property
Cameron, NC 28326
Model: Liberty
Community: Liberty Meadows

Organization
Southern Energy Management
Justin Smith

Inspection Status
Results are projected

Template - SMG Precision - Liberty Meadows lot 14
- CZ 3 slab - ecoSelect
Liberty Meadows lot 14

Builder
SMG Precision Properties

Water Distribution

| | |
|--|----------|
| Water Fixture Type | Low-flow |
| Use Default Hot Water Pipe Length | No |
| Hot Water Pipe Length [ft] | 89 |
| At Least R3 Pipe Insulation? | No |
| Hot Water Recirculation System? | No |
| Recirculation System Pipe Loop Length [ft] | 20 |
| Drain Water Heat Recovery? | No |

Clothes Dryer

| | |
|------------------------------|----------------|
| Cef | 3.01 |
| Fuel Type | Electric |
| Field Utilization | Timer Controls |
| Is Outside Conditioned Space | No |
| Clothes Dryer Available | Yes |
| Defaults Type | HERS Reference |

Clothes Washer

| | |
|------------------------------|--------------|
| Label Energy Rating | 153 kWh/Year |
| Annual Gas Cost | \$12.00 |
| Electric Rate | \$0.11/kWh |
| Gas Rate | \$1.22/Therm |
| Capacity | 3.31 |
| Imef | 2.1547 |
| Defaults Type | Custom |
| Load Type | Front-load |
| Loads Per Week | 6 |
| Is Outside Conditioned Space | No |
| Clothes Washer Available | Yes |

Dishwasher

| | |
|------------------------------|--------------|
| Dishwasher Efficiency | 270 kWh |
| Dishwasher Size | Standard |
| Annual Gas Cost | \$22.23 |
| Electric Rate | \$0.12/kWh |
| Gas Rate | \$1.09/Therm |
| Is Outside Conditioned Space | No |

Building Summary

**Property**

Cameron, NC 28326
Model: Liberty
Community: Liberty Meadows

Organization

Southern Energy Management
Justin Smith

Inspection Status

Results are projected

Template - SMG Precision - Liberty Meadows lot 14
- CZ 3 slab - ecoSelect
Liberty Meadows lot 14

Builder

SMG Precision Properties

Appliances and Controls

| | |
|---|--------------|
| Thermostat Cooling Setpoint | *** 75.0 |
| Thermostat Heating Setpoint | *** 70.0 |
| Range/Oven Fuel | Electric |
| Convection Oven? | No |
| Induction Range? | No |
| Range/Oven Outside Conditioned Space? | No |
| Refrigerator Consumption | 538 kWh/Year |
| Refrigerator Outside Conditioned Space? | No |

Notes

Initial Inputs _____ MS 07/01/22 _____

- confirm HVAC specs
- confirm water heater specs
- confirm ventilation entry, modeled as air cycler
- modeled to worst case orientation
- confirm cfl lighting %