

ARGYLE 35' Model Garage Right - Elevation A

STANDARD WITH OPTIONS

MARCH 7th, 2023

INTERNAL BUILDING AREAS:

HEATED AREAS:	
MAIN FLOOR	± 988.07 SQ FT
FIRST FLOOR	± 1016.36 SQ FT
TOTAL HEATED	± 2004.43 SQ FT
UNHEATED AREAS:	
PORCHES	± 234.67 SQ FT
GARAGE	± 388.93 SQ FT
TOTAL AREA:	± 2628.03 SQ FT
+ OPT RECREATIONAL ROOM	± 301.01 SQ FT
TOTAL HEATED:	± 2305.44 SQ FT
+ OPT 3RD CAR GARAGE	± 240.83 SQ FT
TOTAL AREA UNDER ROOF:	± 3169.87 SQ FT

SHEET INDEX

A0	COVER SHEET
P1	PLUMBING FIXTURE LOCATIONS
A1	FLOOR PLANS
A1.1	MAIN DIMENSIONED FLOOR PLANS
A1.2	UPPER DIMENSIONED FLOOR PLANS
A1.3	ROOF PLAN - ELEVATION A & B
A2	ALL EXTERNAL ELEVATIONS - ELEVATION A
A2.1	ALL EXTERNAL ELEVATIONS - ELEVATION B
A3	CONSTRUCTION BUILDING SECTIONS & DETAILS
A4	WINDOW & DOOR SCHEDULES
FR.8	FRAMED KITCHEN ISLAND DESIGN OPTIONS
AD.3	FIREPLACE SELECTION OPTIONS
AD.8	EXTERNAL GARAGE TRELIS, CORBELS, BRACKETS
E1	ELECTRICAL MAIN FLOOR PLAN
E1.1	ELECTRICAL UPPER FLOOR PLAN
E1.2	ELECTRICAL / TRUSS MAIN FLOOR OVERLAY
E1.3	ELECTRICAL / TRUSS UPPER FLOOR OVERLAY

OPTIONS

House Plan	Development	Lot #	Address	Garage Side	Total HSF	Total Under Roof
Argyle	Oakmont	366	39 Tackett Court	Right	2305.44	2628.03

EXTERIOR:

	Elevation STD or A
X	Elevation B
	Elevation C
	Cement Siding
X	Vinyl Siding
	Lap siding only
X	Board and Batten
X	Trellis
X	Shutters
	3 Car Garage
	Side Load
	Garage Window Panels
	Garage door from double car to single car garage
	Garage Door to Back Yard
	Covered Back Porch
	Extended Porch
	Side Lite
	Stone Skirt
X	Stem
	Crawl

INTERIOR:

	Extra windows in living room
	Optional Kitchen Layout
	1st Floor Guest Suite
	1st Floor Flex Room
X	Standard Electric Fireplace
	Gas Fireplace
	Shiplap Electric Fireplace
	Shiplap Gas Fireplace
	Bookshelves
X	Under Cab Lighting
X	Bonus Room
	2nd Vanity in Secondary bathroom
	Linen Room Door (Argyle Owner Suite Only)
	Open Railing
	Attic Stairs
	Laundry Sink

ELECTRICAL:

X	Under Cab Lights
	Second Vanity - Upstairs bathroom



ORIGINAL SKETCH FRONT ELEVATION

REVISIONS:
REV A: 04/24/2023 AREA CALCS TEXT INCREASED
REV B: 07/19/2023 3RD CAR GARAGE SIZE REDUCED

J.S. THOMPSON
ENGINEERING, INC.

333 E. SIX FORKS RD., SUITE 180
RALEIGH, NC 27609
PHONE: (919) 789-9919
FAX: (919) 789-9921
N.C. LICENSE NO. C-1733

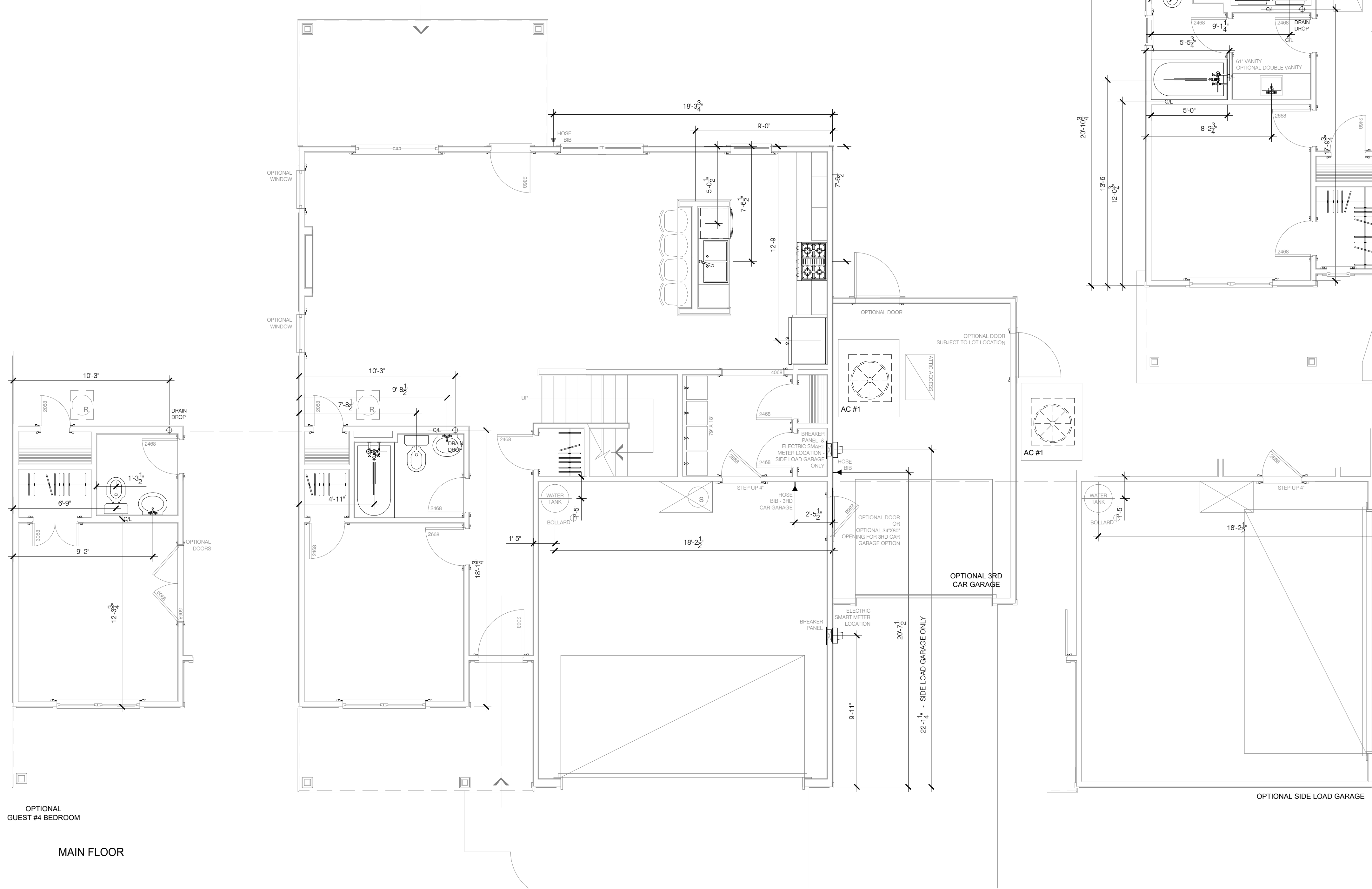
ASCOT
Land Development and Construction
(910) 688-7361 • www.ascotgrp.com

THE ARGYLE

COVER SHEET

DATE: 2023-02-08
DRAWN BY: JST
ENGINEER: JST
CHECKED BY: NTS
Q.C. BY: NTS
SCALE:
SHEET NUMBER#:

A0



NOTE:
AC RETURN VENTS SHALL NOT BE PLACED WITHIN 10'
OF AN OPEN COMBUSTION CHAMBER, A DRAFT HOOD OF
ANOTHER APPLIANCE OR WITHIN 10' OF COOKING APPLIANCES.
CODE M.1602.2 / 601.5

REVISIONS:
REV A: 04-24-2023 INTERNAL DOORS UPDATED
REV B: 07-19-2023 3RD CAR GARAGE SIZE REDUCED
REV C: 09-11-2023 AC CHASES UPDATED TO FIX AC DESIGN ISSUES
REV D: 11-16-24 TUBS AND SHOWER PARTING REVISIO TO 60"
REV E: 03-14-24 AC PANS AND DRAIN DROP ADDED

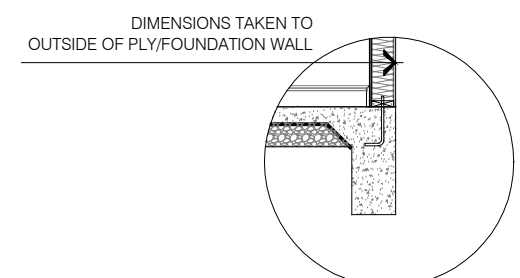
J.S. THOMPSON
ENGINEERING, INC.
333 E. SIX FORKS RD, SUITE 180
RALEIGH, NC 27609
PHONE: (919) 789-9919
FAX: (919) 789-9921
N.C. LICENSE NO. C-1733

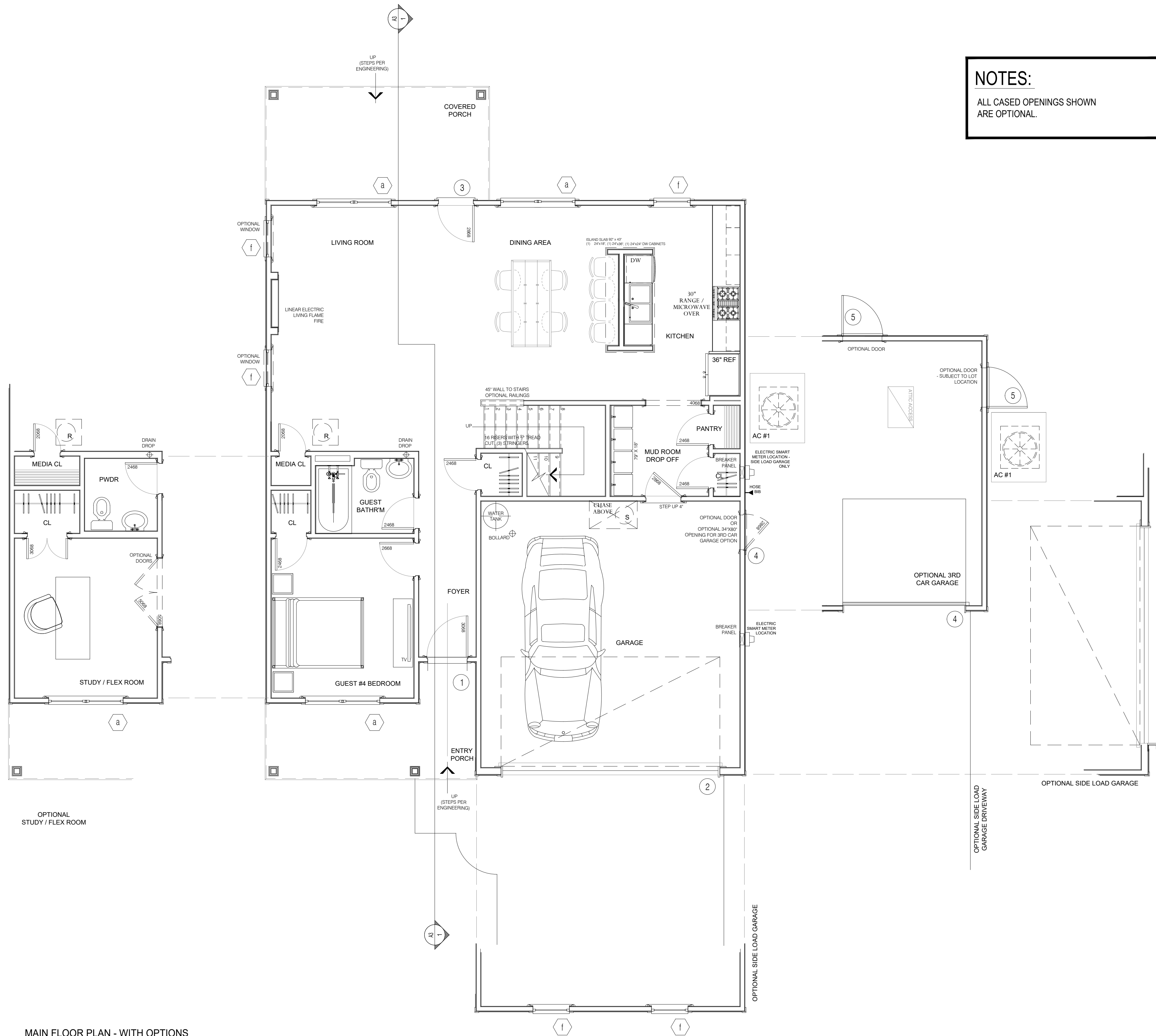
ASCOT
Land Development and Construction
(910) 688-7361 • www.ascotgrp.com

Copyright Ascot Corporation, LLC. All Rights Reserved 2022

THE ARGYLE
PLUMBING FIXTURE LOCATION
PLANS

DATE: 2023-02-08
DRAWN BY: JST
ENGINEER: NS
CHECKED BY: NS
O.C. BY: NS
SCALE: 1/4" = 1'-0"
SHEET NUMBER:
P1





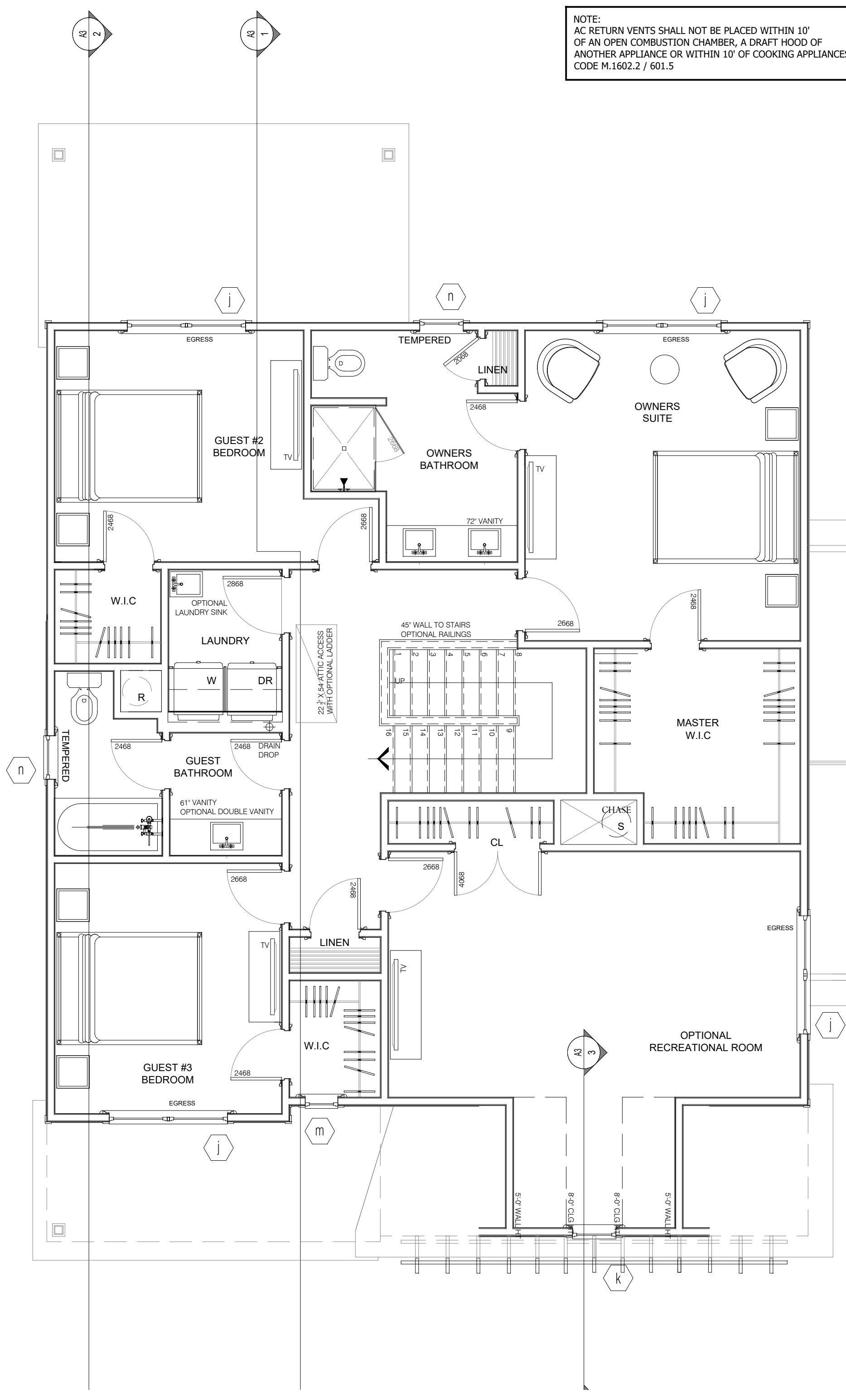
MAIN FLOOR PLAN - WITH OPTIONS
SCALE: 1/4" = 1'-0"

NOTES:
ALL CASED OPENINGS SHOWN ARE OPTIONAL.

INTERNAL BUILDING AREAS:

HEATED AREAS:	
MAIN FLOOR	± 988.07 SQ FT
FIRST FLOOR	± 1016.36 SQ FT
TOTAL HEATED	± 2004.43 SQ FT
UNHEATED AREAS:	
PORCHES	± 234.67 SQ FT
GARAGE	± 388.93 SQ FT
TOTAL AREA:	± 2628.03 SQ FT
+ OPT RECREATIONAL ROOM	± 301.01 SQ FT
TOTAL HEATED:	± 2305.44 SQ FT
+ OPT 3RD CAR GARAGE	± 240.83 SQ FT
TOTAL AREA UNDER ROOF:	± 3169.87 SQ FT

NOTE:
AC RETURN VENTS SHALL NOT BE PLACED WITHIN 10' OF AN OPEN COMBUSTION CHAMBER, A DRAFT HOOD OF ANOTHER APPLIANCE OR WITHIN 10' OF COOKING APPLIANCES. CODE M.1602.2 / 601.5



UPPER FLOOR PLAN
SCALE: 1/4" = 1'-0"

REVISIONS:
REV A: 04.24.2023 INTERNAL DOORS UPDATED
REV B: 07.19.2023 3RD CAR GARAGE SIZE REDUCED
REV C: 09.11.2023 AC CHANGES UPDATED TO FIX AC DESIGN ISSUES
REV D: 11.16.24 TUBS AND SHOWER FRAMING REVISION TO 60" - FINISHED KITCHEN ISLAND ADDED
REV E: 03.14.24 AC PADS AND DRAIN DROP ADDED

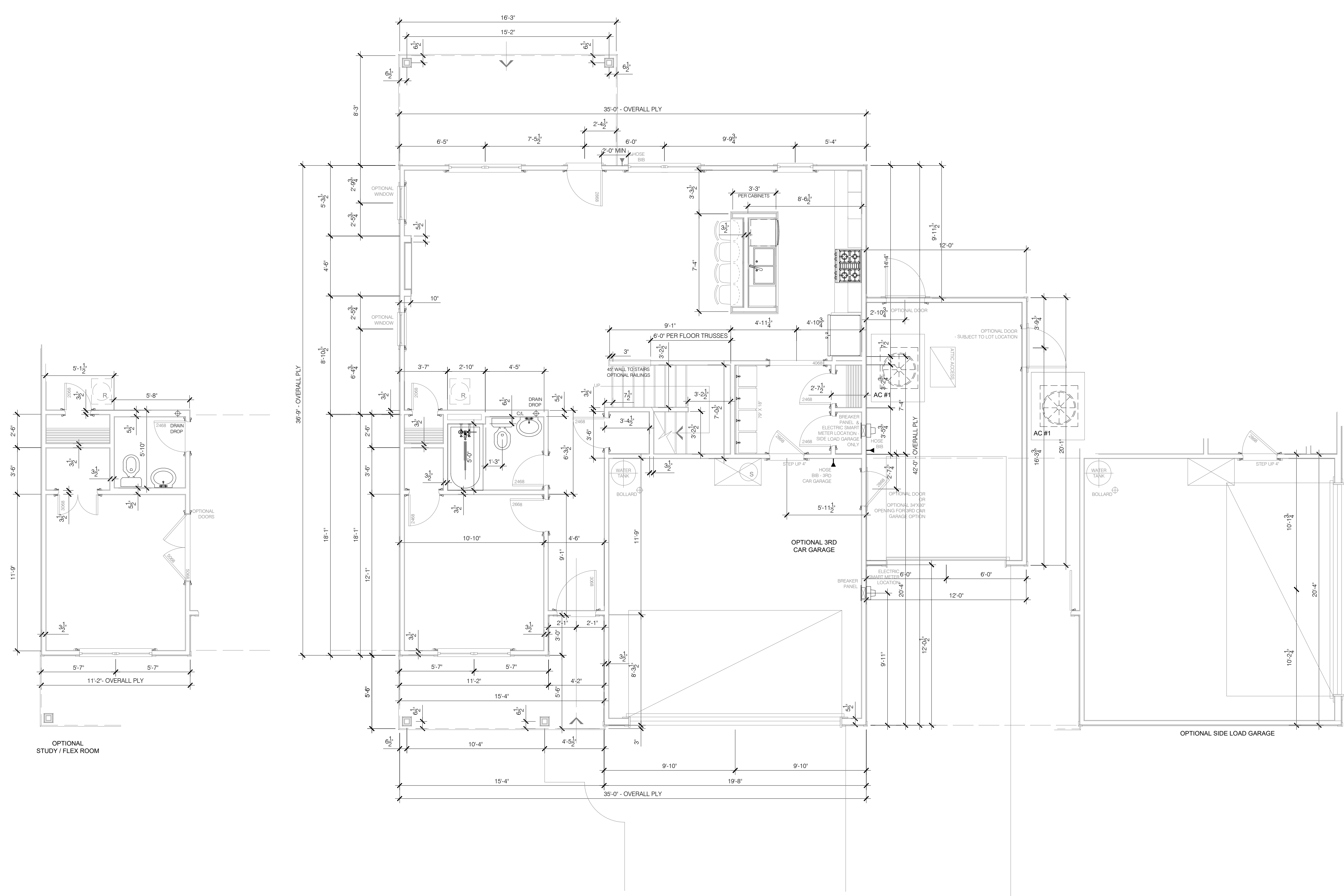
J.S. THOMPSON
ENGINEERING, INC.
333 E. SIX FORKS RD, SUITE 180
RALEIGH, NC 27609
PHONE: (919) 789-9919
FAX: (919) 789-9921
N.C. LICENSE NO. C-1733

ASCOT
Land Development and Construction
(910) 688-7361 • www.ascotgrp.com

THE ARGYLE
FLOOR PLANS

DATE: 2023-02-08
DRAWN BY: JST
ENGINEER: NS
CHECKED BY: NS
Q.C. BY: NS
SCALE: 1/4" = 1'-0"
SHEET NUMBER:
A1

NOTE:
 AC RETURN VENTS SHALL NOT BE PLACED WITHIN 10'
 OF AN OPEN COMBUSTION CHIMNEY, A DRAFT HOOD OF
 ANOTHER APPLIANCE OR WITHIN 10' OF COOKING APPLIANCES.
 CODE M.1602.2 / 601.5



NOTES:
 ALL CASSED OPENINGS SHOWN
 ARE OPTIONAL.

MAIN FLOOR PLAN - WITH OPTIONS
 SCALE: 1/4" = 1'-0"

REVISIONS:
 REV A: 04.24.2023 24" MIN NOTE ADDED TO PORCH DOOR.
 INTERNAL DOORS UPDATED
 REV B: 07.19.2023 3RD CAR GARAGE SIZE REDUCED
 REV C: 09.11.2023 AC CHASES UPDATED TO FIX AC DESIGN ISSUES
 REV D: 11.16.2023 TUBS AND SHOWER PANING RETIRED TO 60" - FINISHED KITCHEN ISLAND
 ADDED
 REV E: 03.14.24 AC FINISH AND DRAIN DRIP ADDED

J.S. THOMPSON
 ENGINEERING, INC.
 333 E. SIX FORKS RD, SUITE 180
 RALEIGH, NC 27609
 PHONE: (919) 789-9919
 FAX: (919) 789-9921
 N.C. LICENSE NO. C-1733

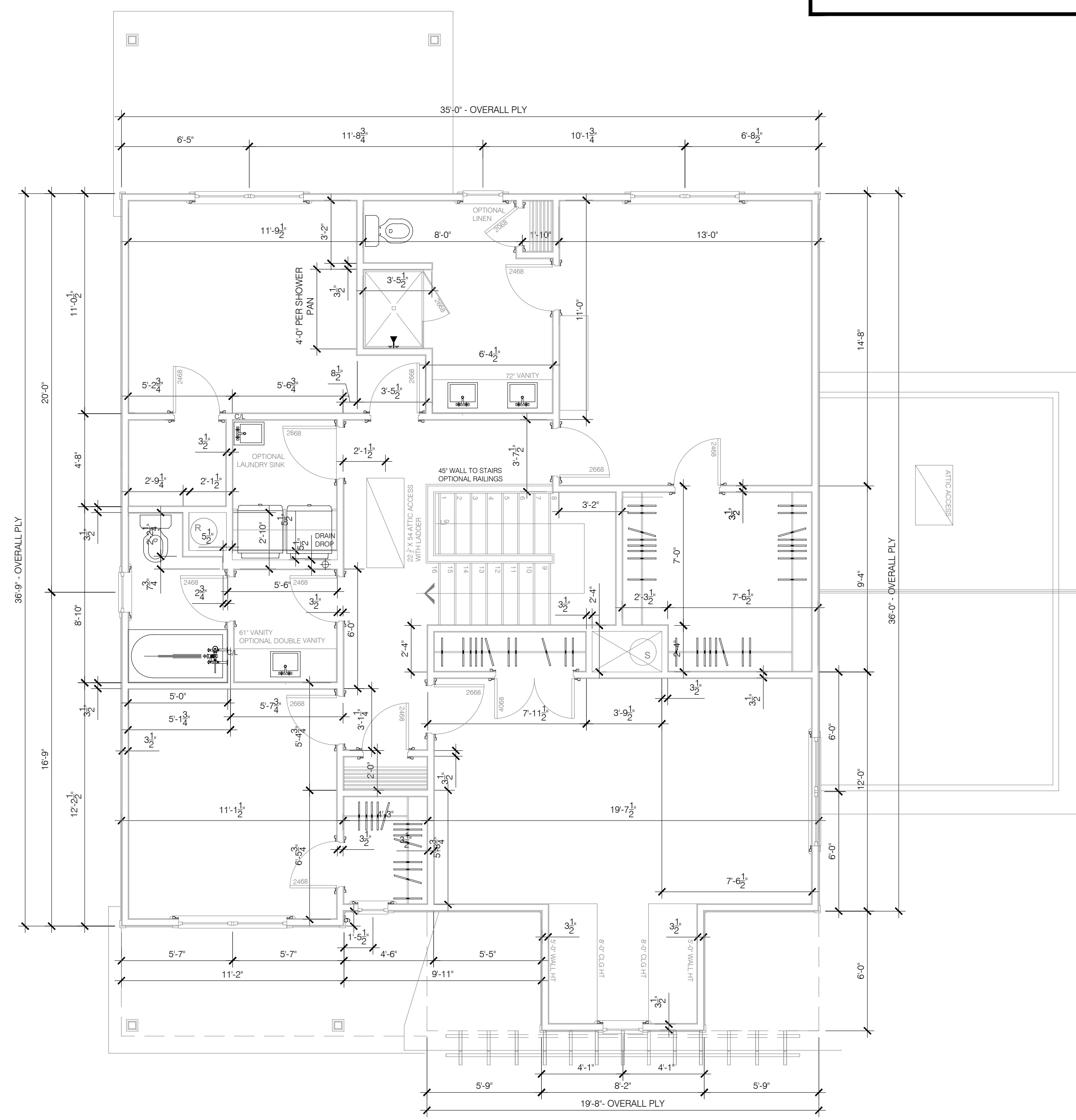
ASCOT
 Land Development and Construction
 (910) 688-7361 • www.ascotgrp.com

THE ARGYLE
 DIMENSIONED MAIN FLOOR PLAN

DATE: 2023-02-08
 DRAWN BY: JST
 ENGINEER: NS
 CHECKED BY: NS
 Q.C. BY: NS
 SCALE: 1/4" = 1'-0"
 SHEET NUMBER#:
A1.1

NOTE:
 AC RETURN VENTS SHALL NOT BE PLACED WITHIN 10'
 OF AN OPEN COMBUSTION CHAMBER, A DRAFT HOOD OF
 ANOTHER APPLIANCE OR WITHIN 10' OF COOKING APPLIANCES.
 CODE M.1602.2 / 601.5

NOTES:
 ALL CASED OPENINGS SHOWN
 ARE OPTIONAL.



UPPER FLOOR PLAN
 SCALE: 1/4" = 1'-0"

REVISIONS:
 REV A: 04.24.2023 INTERNAL DOORS UPDATED
 REV B: 07.19.2023 3RD CAR GARAGE SIZE REDUCED
 REV C: 09.11.2023 AC CHASIS UPDATED TO FIX AC DESIGN ISSUES
 REV D: 01.16.24 TUBS AND SHOWER FRAMING REVISED TO 60" FRAMED KITCHEN ISLAND
 REV E: 03.14.24 AC PADS AND DRAIN DROP ADDED

J.S. THOMPSON
 ENGINEERING, INC.
 333 E. SIX FORKS RD, SUITE 180
 RALEIGH, NC 27609
 PHONE: (919) 789-9919
 FAX: (919) 789-9921
 N.C. LICENSE NO. C-1733

ASCOT
 Land Development and Construction
 (910) 688-7361 • www.ascotgrp.com

THE ARGYLE
 DIMENSIONED UPPER FLOOR PLAN

DATE: 2023-02-08
 DRAWN BY: JST
 ENGINEER: JST
 CHECKED BY: NS
 Q.C. BY: NS
 SCALE: 1/4" = 1'-0"
 SHEET NUMBER#:
A1.2

Copyright Ascot Corporation, LLC. All Rights Reserved 2022



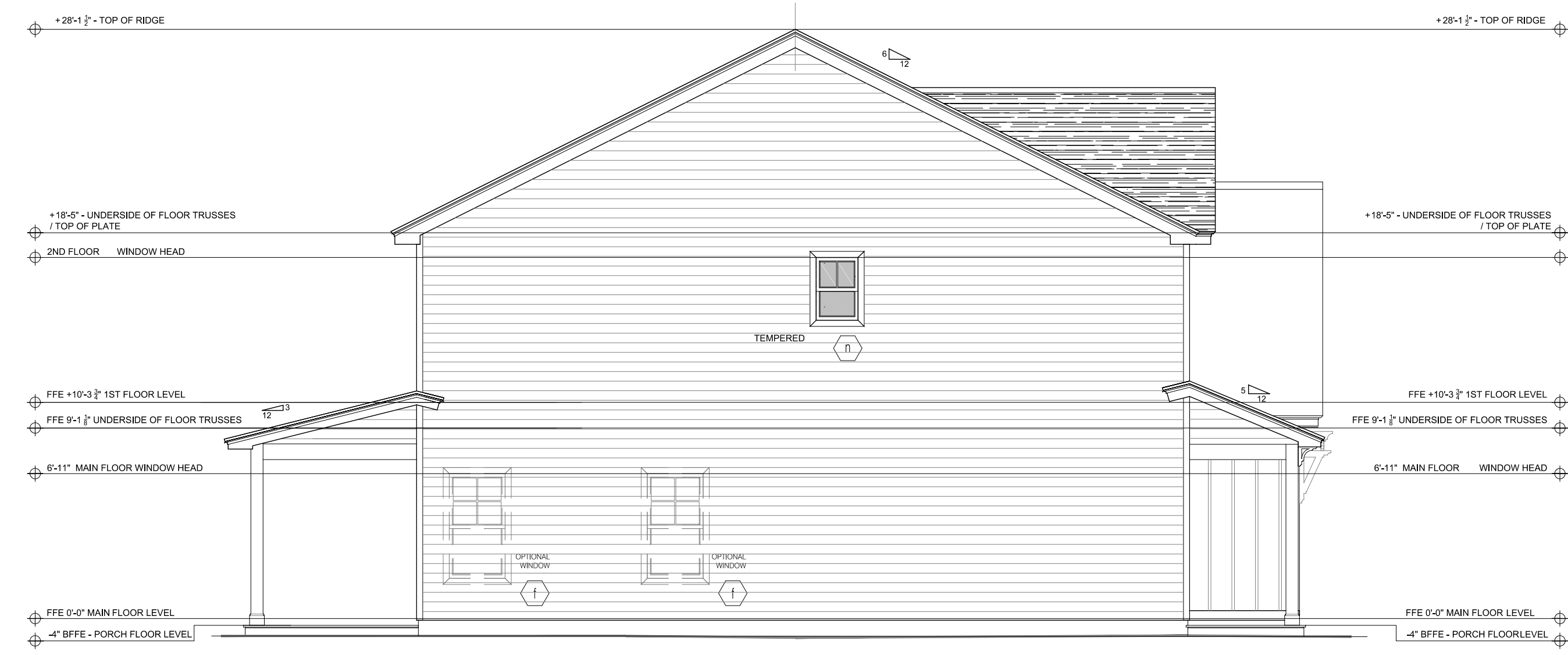
REAR ELEVATION
SCALE: 1/4" = 1'-0"



FRONT ELEVATION
SCALE: 1/4" = 1'-0"



RIGHT SIDE ELEVATION
SCALE: 3/16" = 1'-0"



LEFT SIDE ELEVATION
SCALE: 3/16" = 1'-0"

REVISIONS:
REV A: 04.24.2023 DR WINDOW TEMPERED GLASS REMOVED
REV B: 07.19.2023 3RD CAR GARAGE SIZE REDUCED

J.S. THOMPSON
ENGINEERING, INC
333 E. SIX FORKS RD., SUITE 180
RALEIGH, NC 27609
PHONE: (919) 789-9919
FAX: (919) 789-9921
N.C. LICENSE NO.: C-1733

ASCOT
Land Development and Construction
(910) 688-7361 • www.ascotgrp.com

THE ARGYLE
ALL EXTERNAL ELEVATIONS - ELEVATION A

DATE: 2023-02-08
DRAWN BY: JST
ENGINEER: NS
CHECKED BY: NS
Q.C. BY: NS
SCALE: 3/16" = 1'-0"
SHEET NUMBER:
A2

Copyright Ascot Corporation, LLC. All Rights Reserved 2022



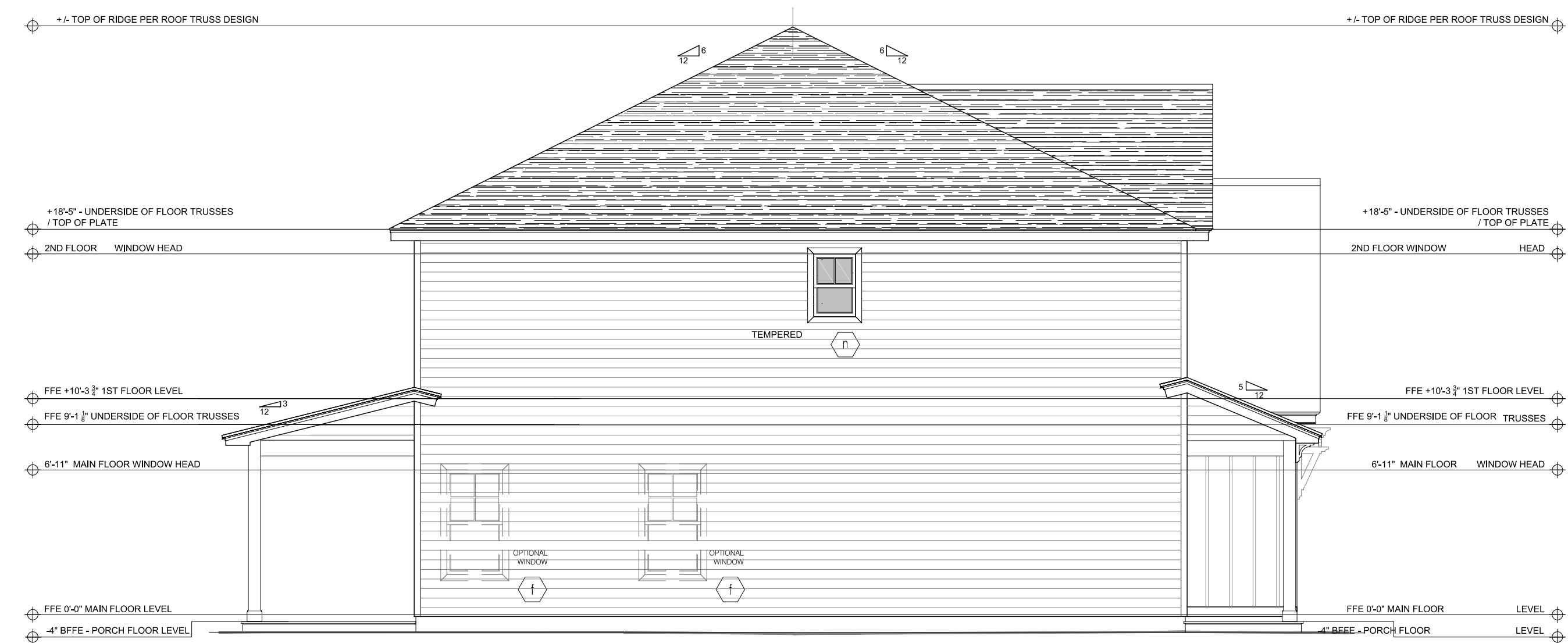
REAR ELEVATION
SCALE: 1/4" = 1'-0"



FRONT ELEVATION
SCALE: 1/4" = 1'-0"



RIGHT SIDE ELEVATION
SCALE: 3/16" = 1'-0"



LEFT SIDE ELEVATION
SCALE: 3/16" = 1'-0"

REVISIONS:
REV A: 04/24/2023 DR WINDOW TEMPERED GLASS REMOVED
REV B: 07/19/2023 3RD CAR GARAGE SIZE REDUCED

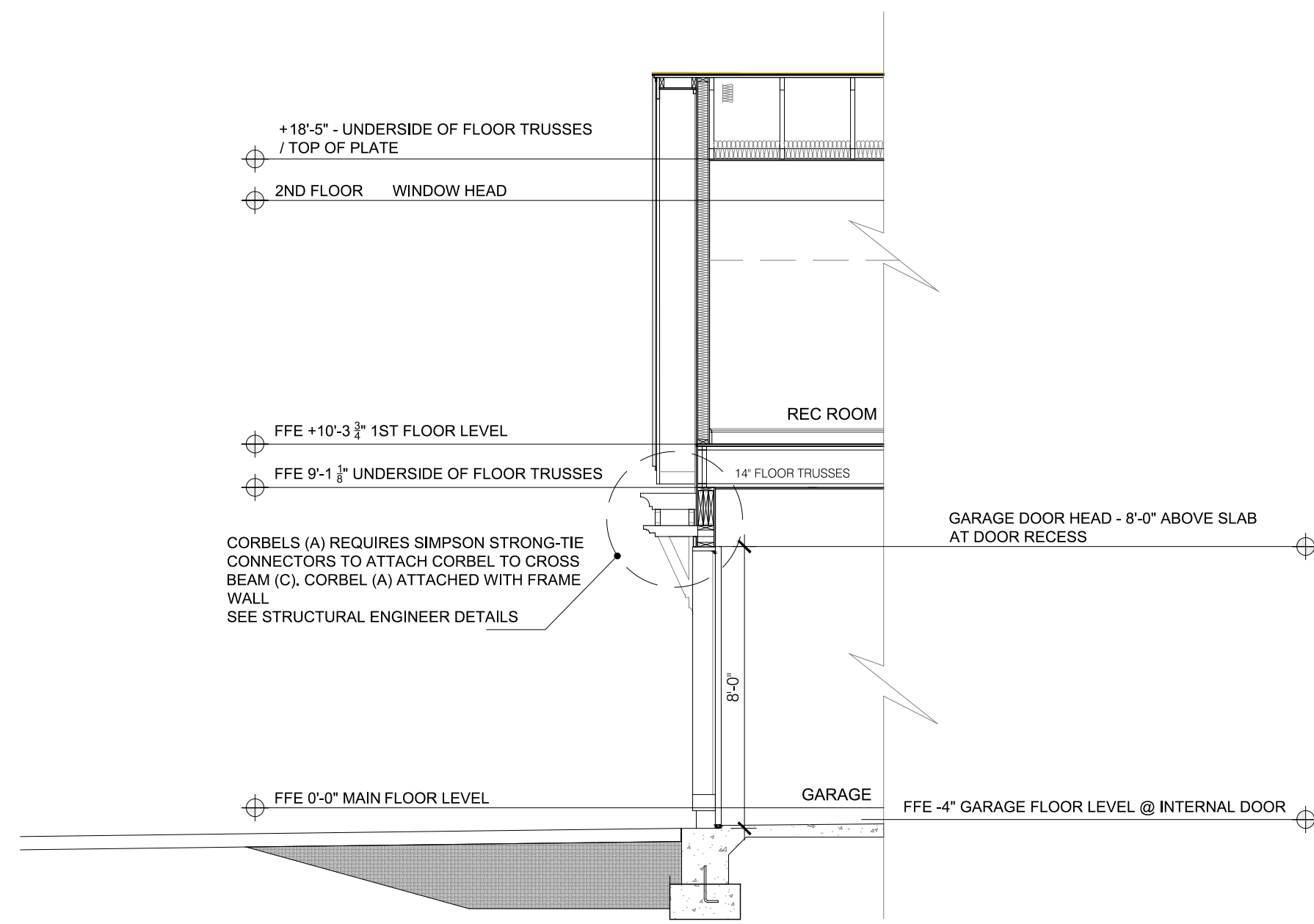
J.S. THOMPSON
ENGINEERING, INC.
333 E. SIX FORKS RD., SUITE 180
RALEIGH, NC 27609
PHONE: (919) 789-9919
FAX: (919) 789-9921
N.C. LICENSE NO.: C-1733

ASCOT
Land Development and Construction
(910) 688-7361 • www.ascotgrp.com

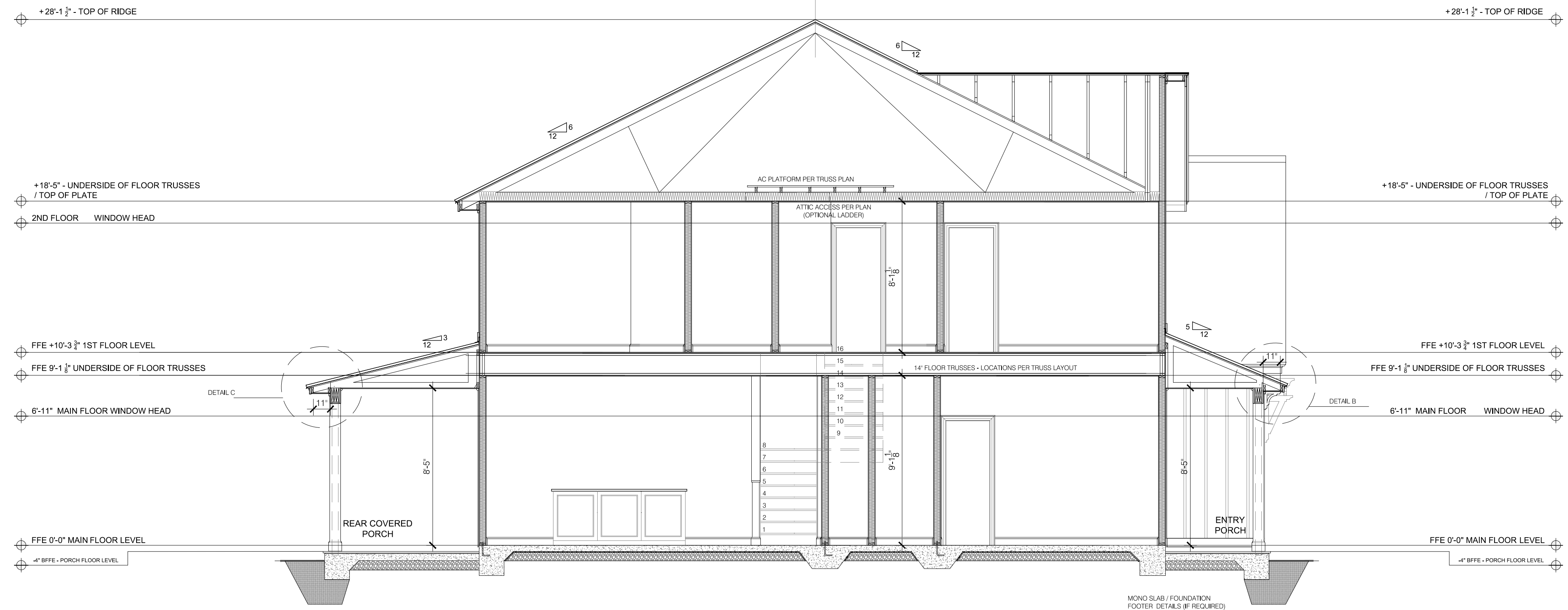
THE ARGYLE
ALL EXTERNAL ELEVATIONS - ELEVATION B

DATE: 2023-02-08
DRAWN BY: JST
ENGINEER: NS
CHECKED BY: NS
Q.C. BY: NS
SCALE: 3/16" = 1'-0"
SHEET NUMBER:
A2.1

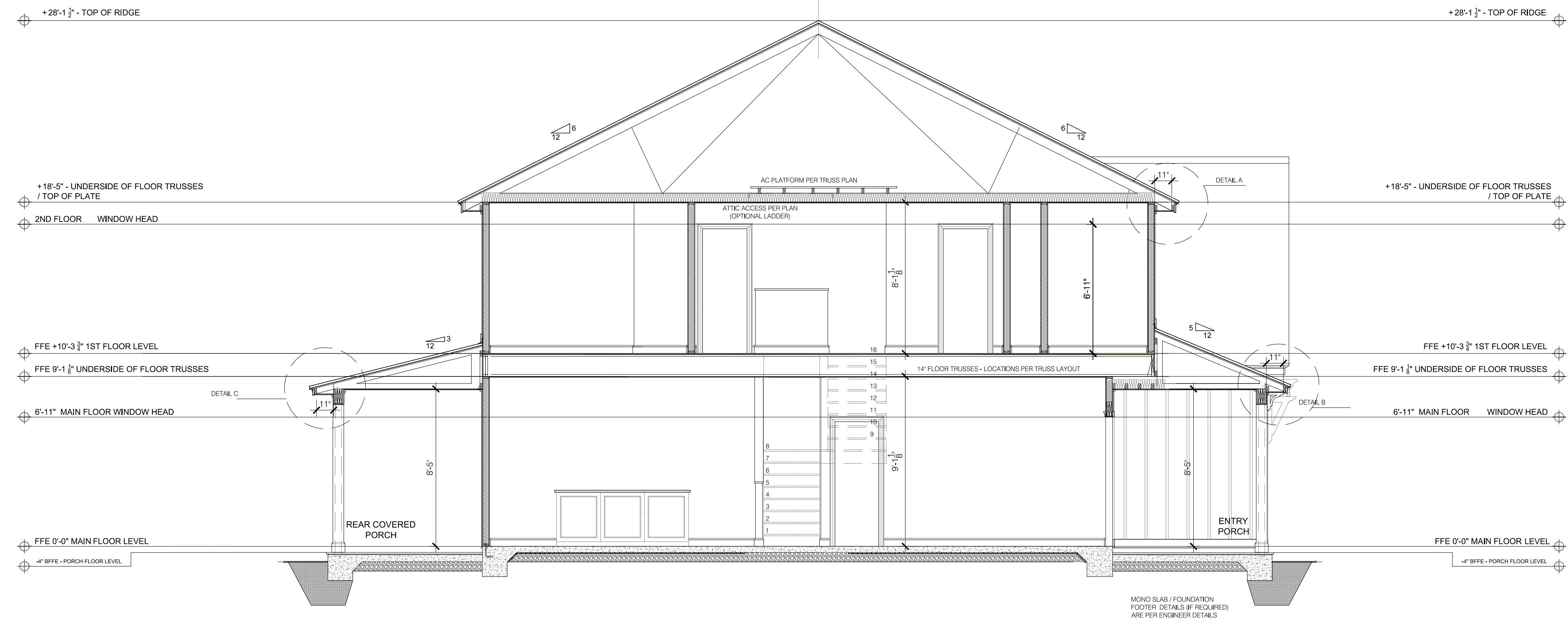
Copyright Ascot Corporation, LLC. All Rights Reserved 2022.



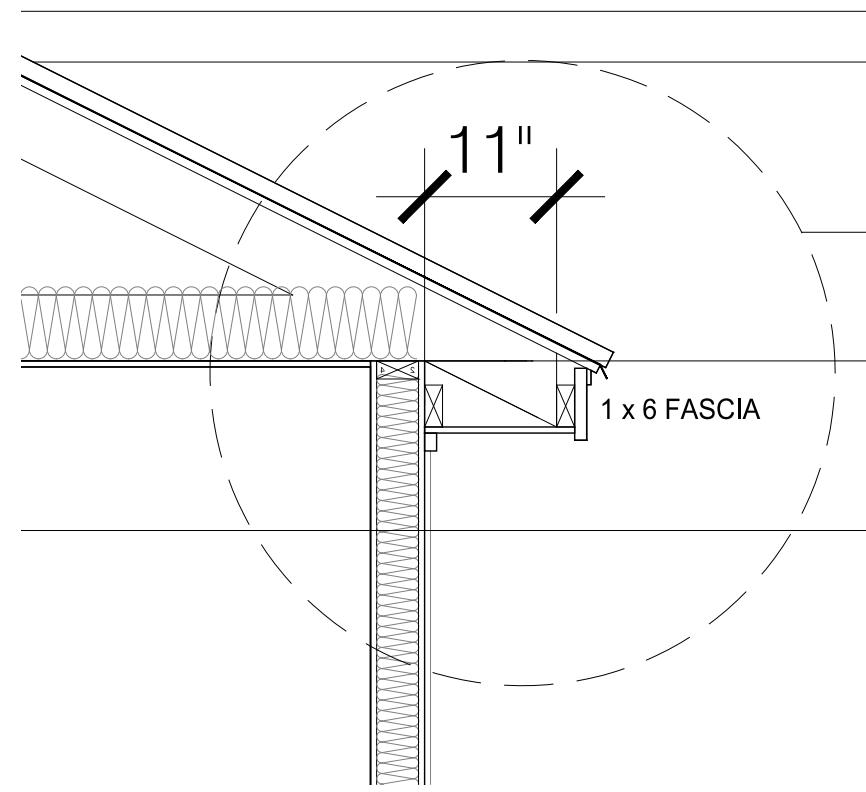
BUILDING SECTION - 3
SCALE: 1/4" = 1'-0"



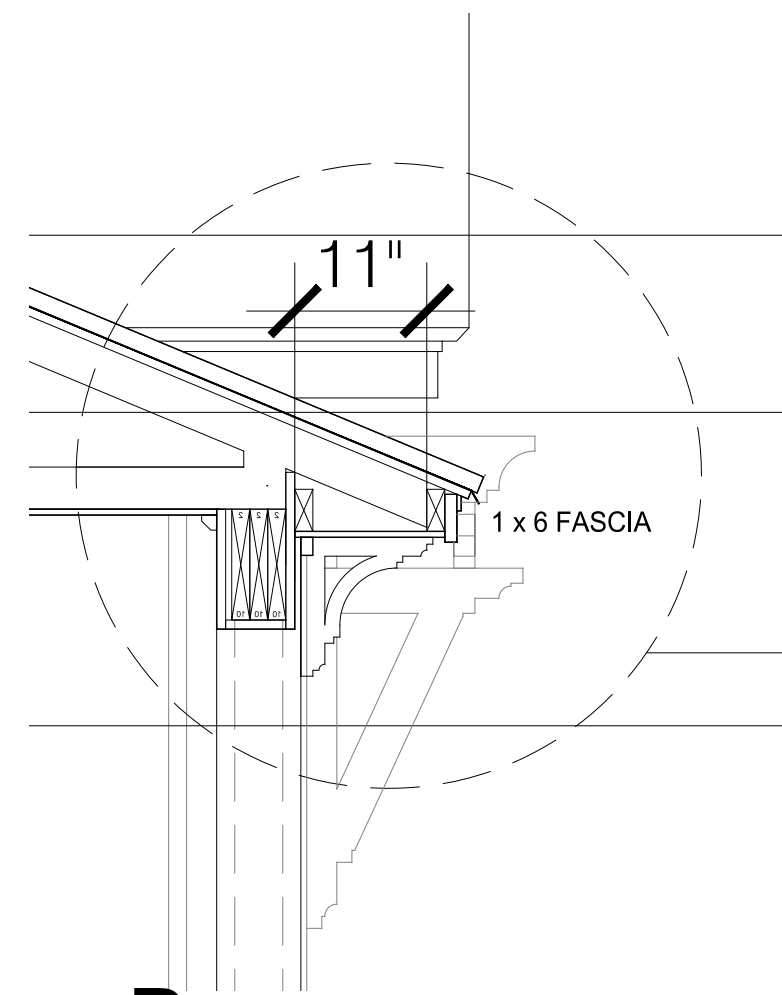
BUILDING SECTION - 2
SCALE: 1/4" = 1'-0"



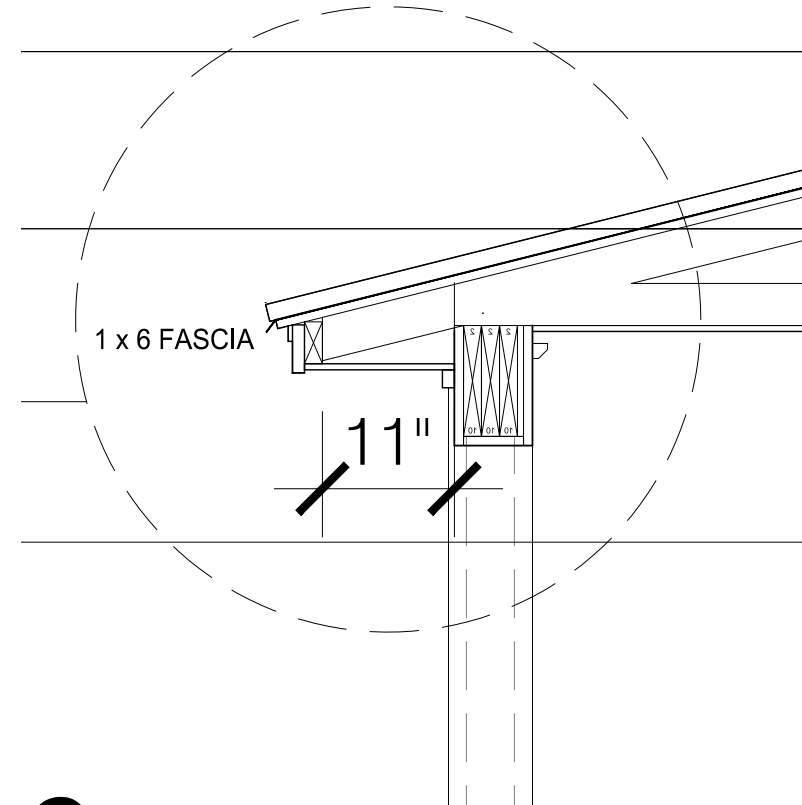
BUILDING SECTION - 1
SCALE: 1/4" = 1'-0"



DETAIL A
SCALE: 3/4" = 1'-0"



DETAIL B
SCALE: 3/4" = 1'-0"



DETAIL C
SCALE: 3/4" = 1'-0"

REVISIONS:

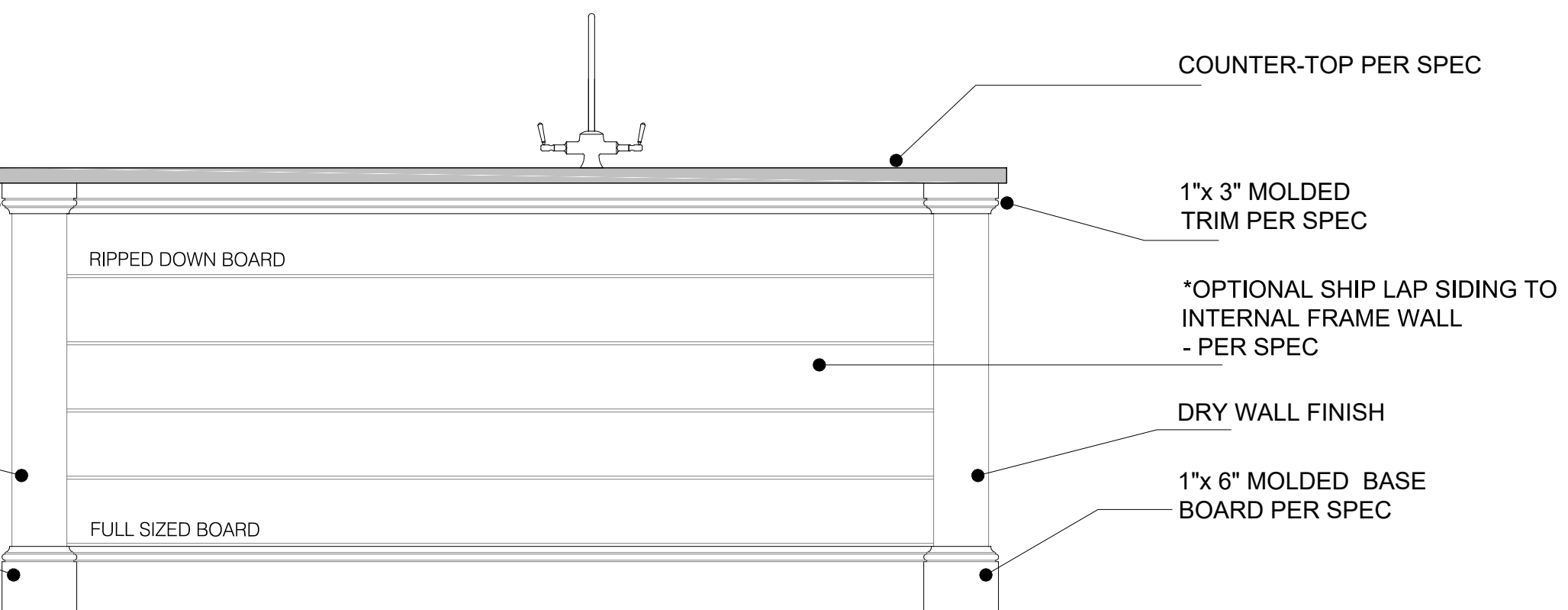
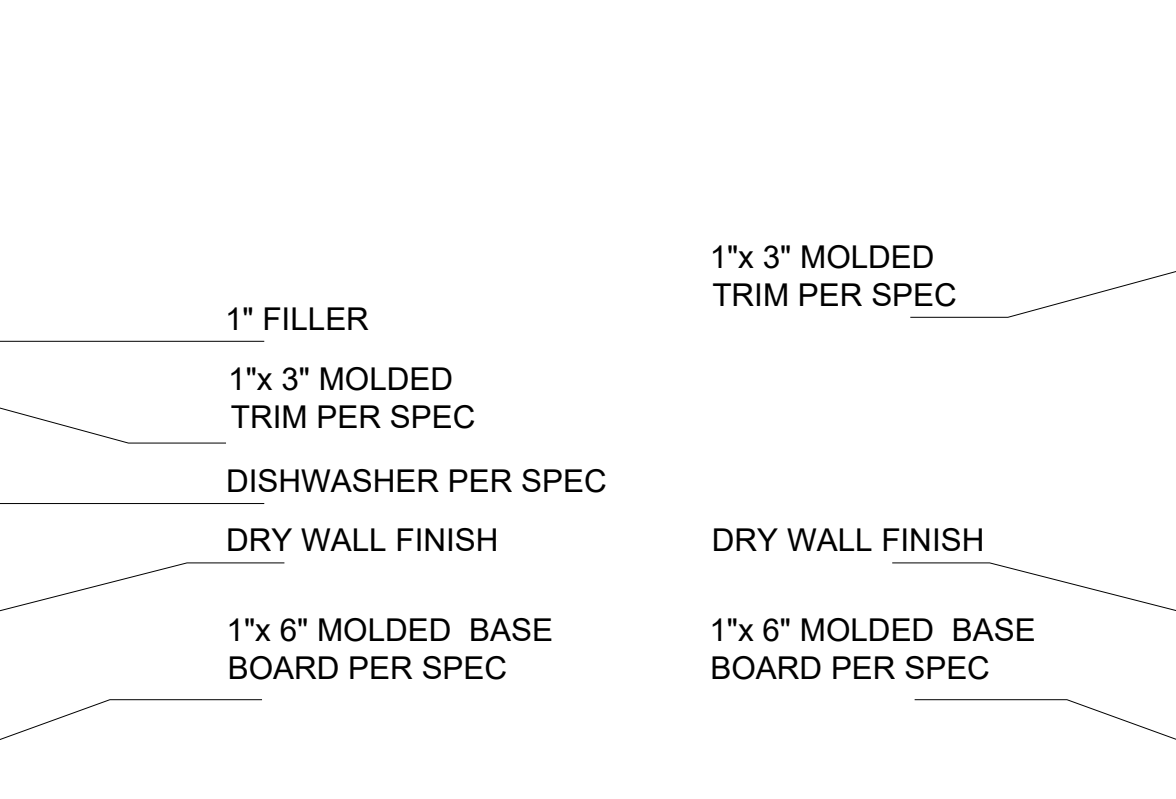
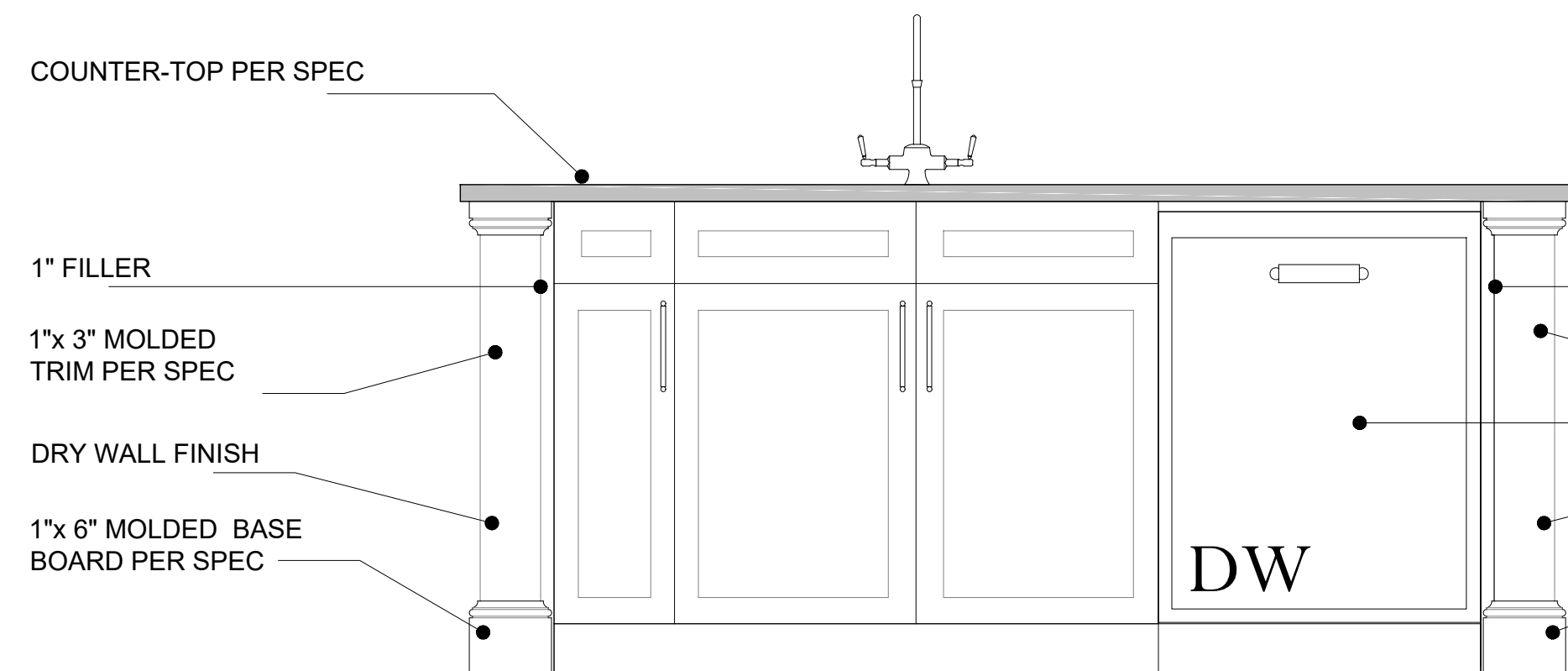
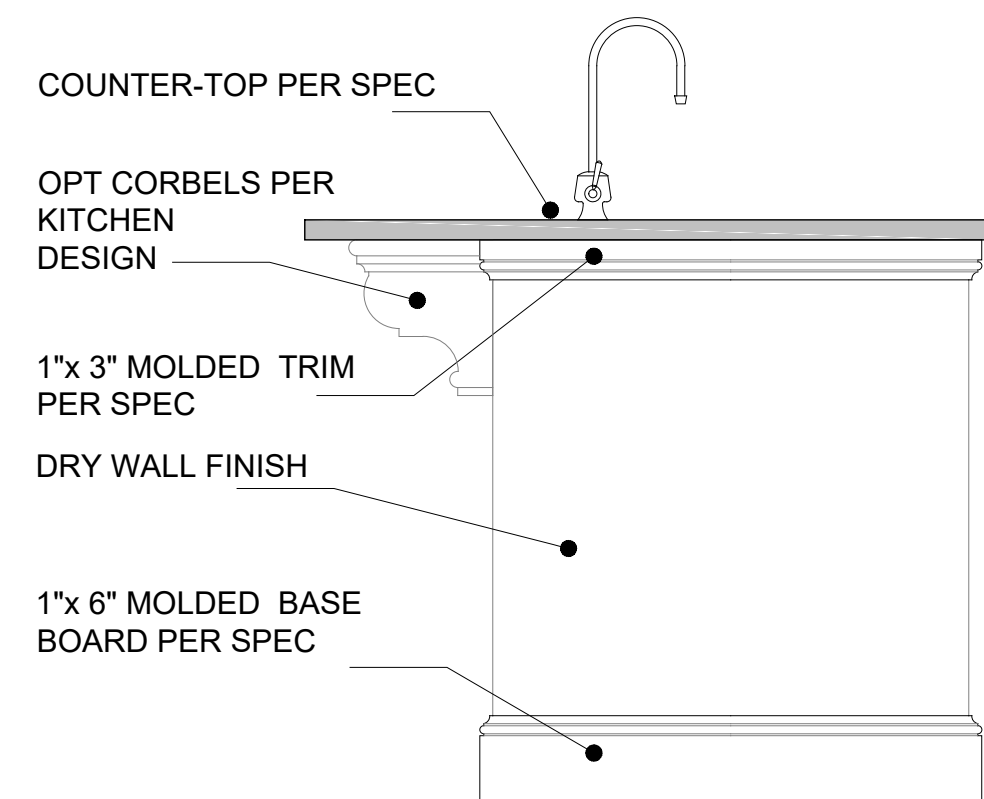
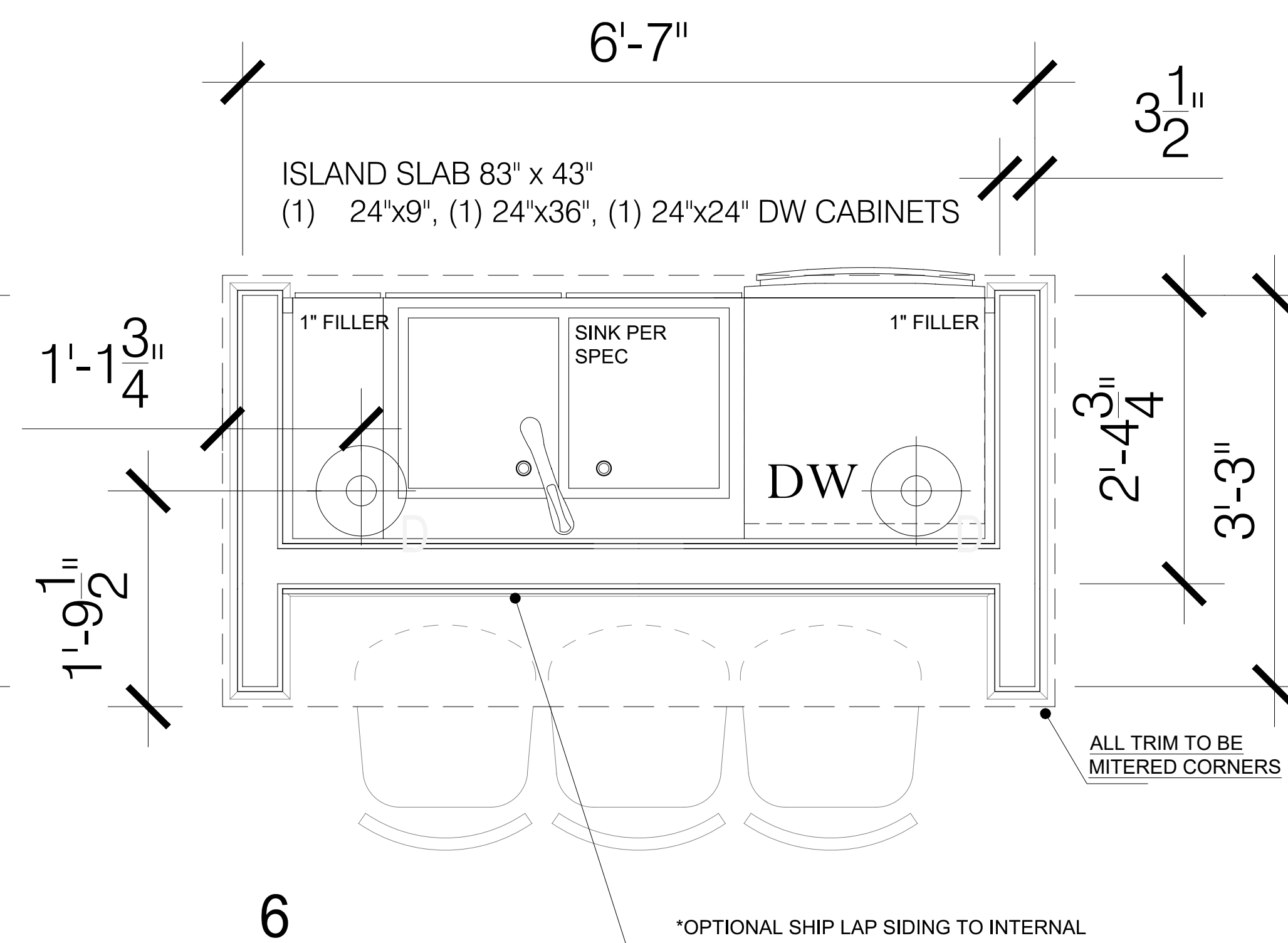
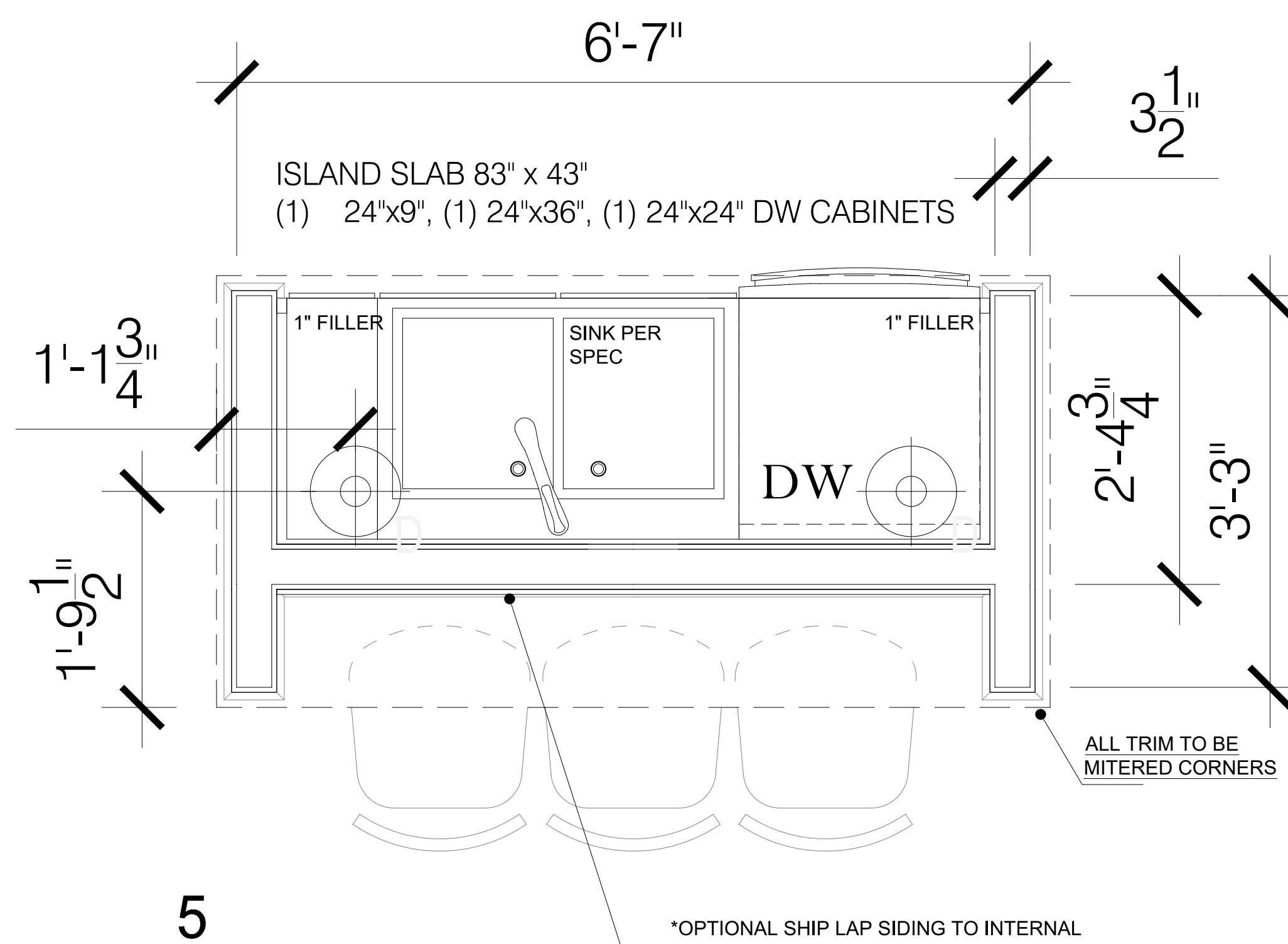
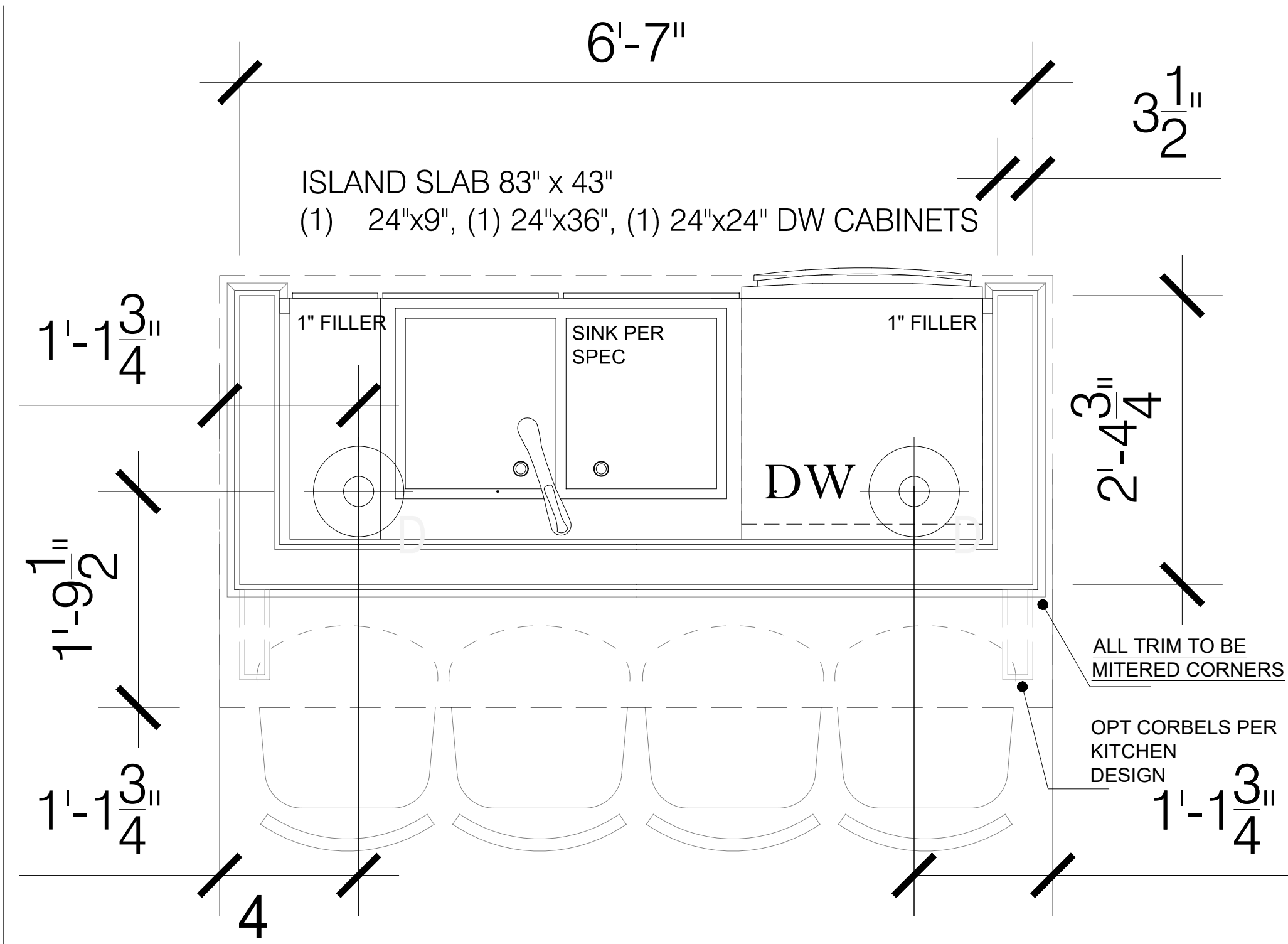
J.S. THOMPSON
ENGINEERING, INC.
333 E. SIX FORKS RD., SUITE 180
RALEIGH, NC 27609
PHONE: (919) 789-9919
FAX: (919) 789-9921
N.C. LICENSE NO. C-1733

ASCOT
Land Development and Construction
(910) 688-7361 • www.ascotgrp.com

THE ARGYLE

CONSTRUCTION SECTION

DATE: 2023-02-08
DRAWN BY: NS
ENGINEER: JST
CHECKED BY: NS
Q.C. BY: NS
SCALE: 1/4" = 1'-0"
SHEET NUMBER: **A3**

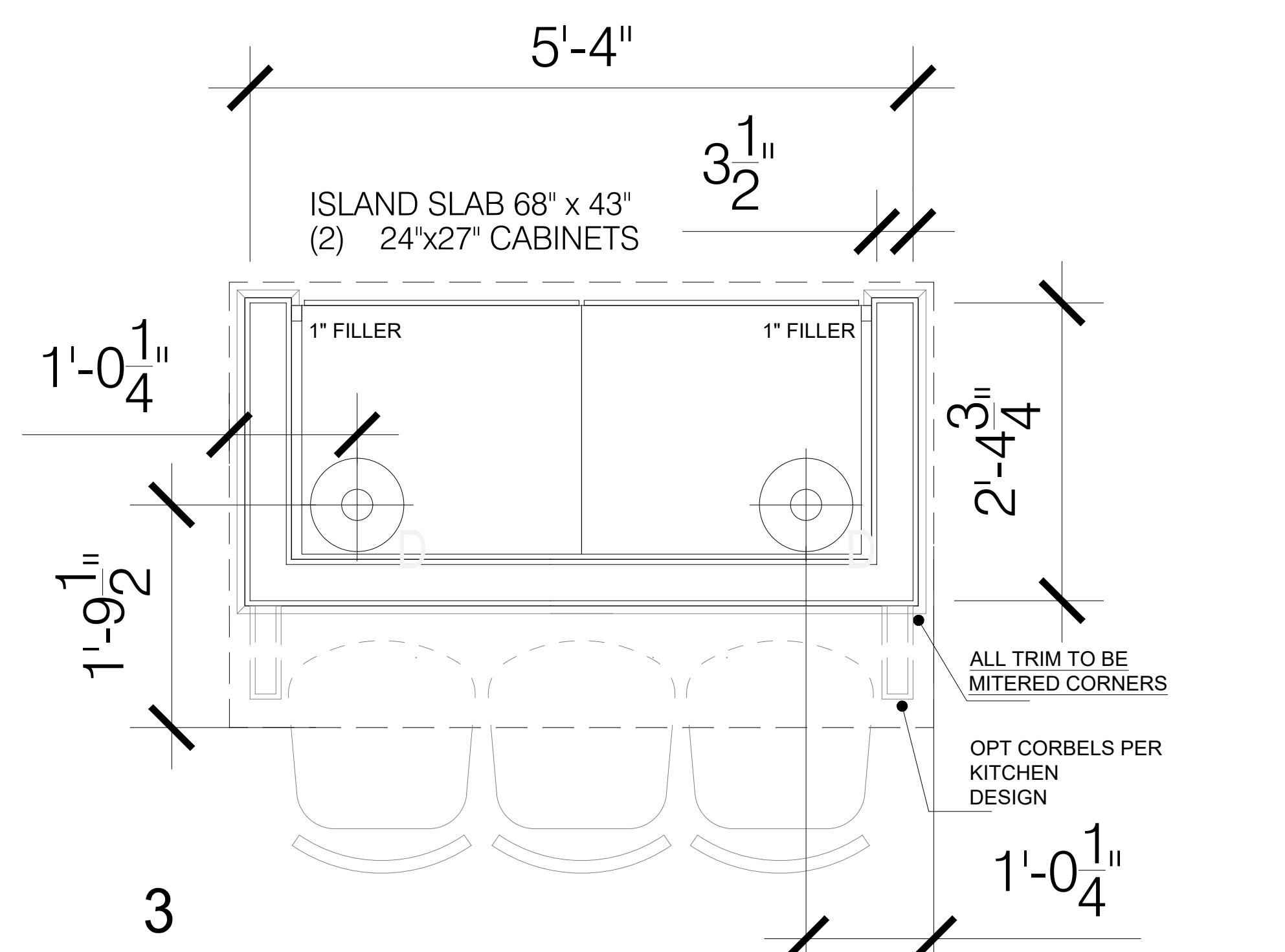
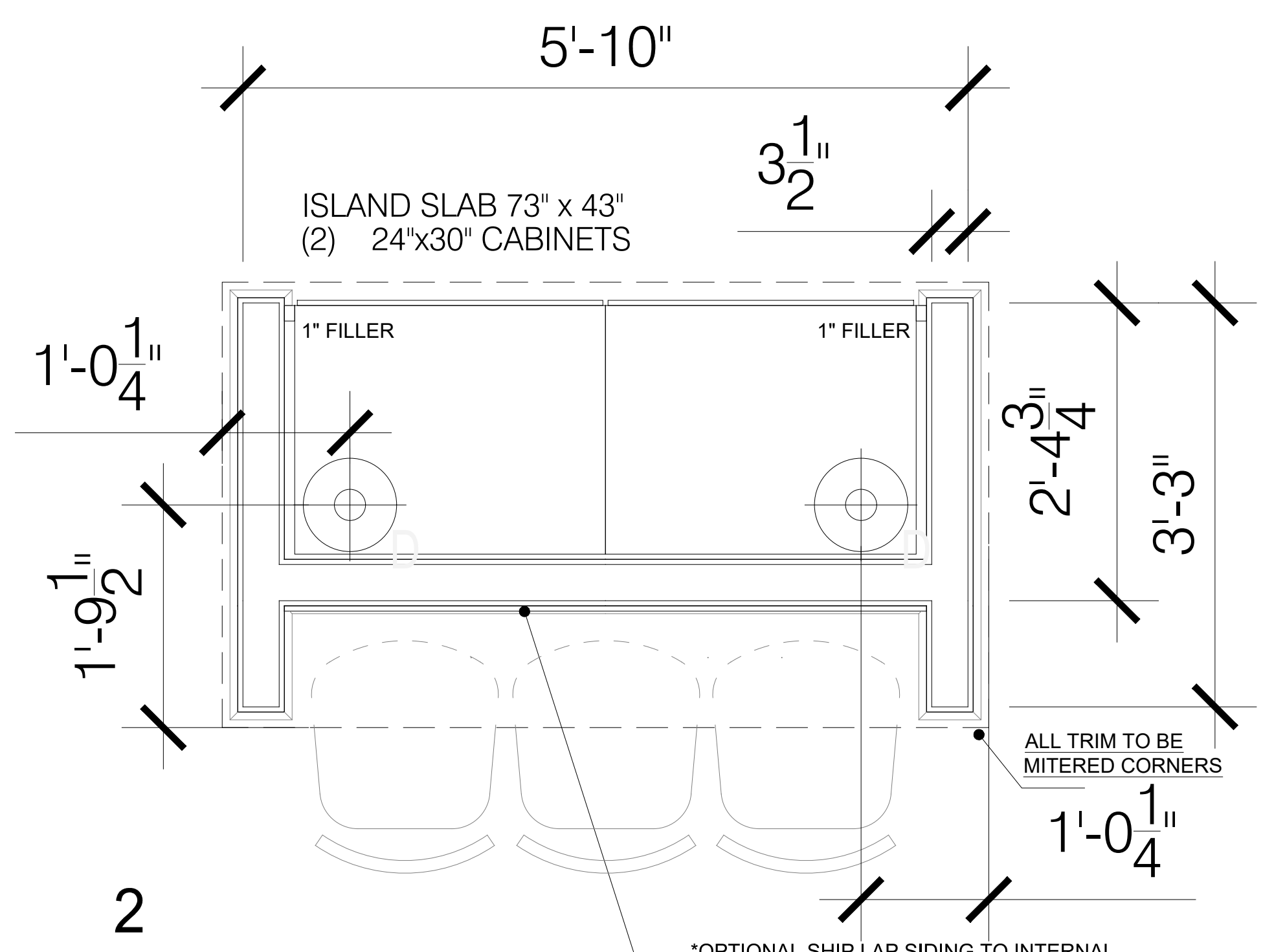
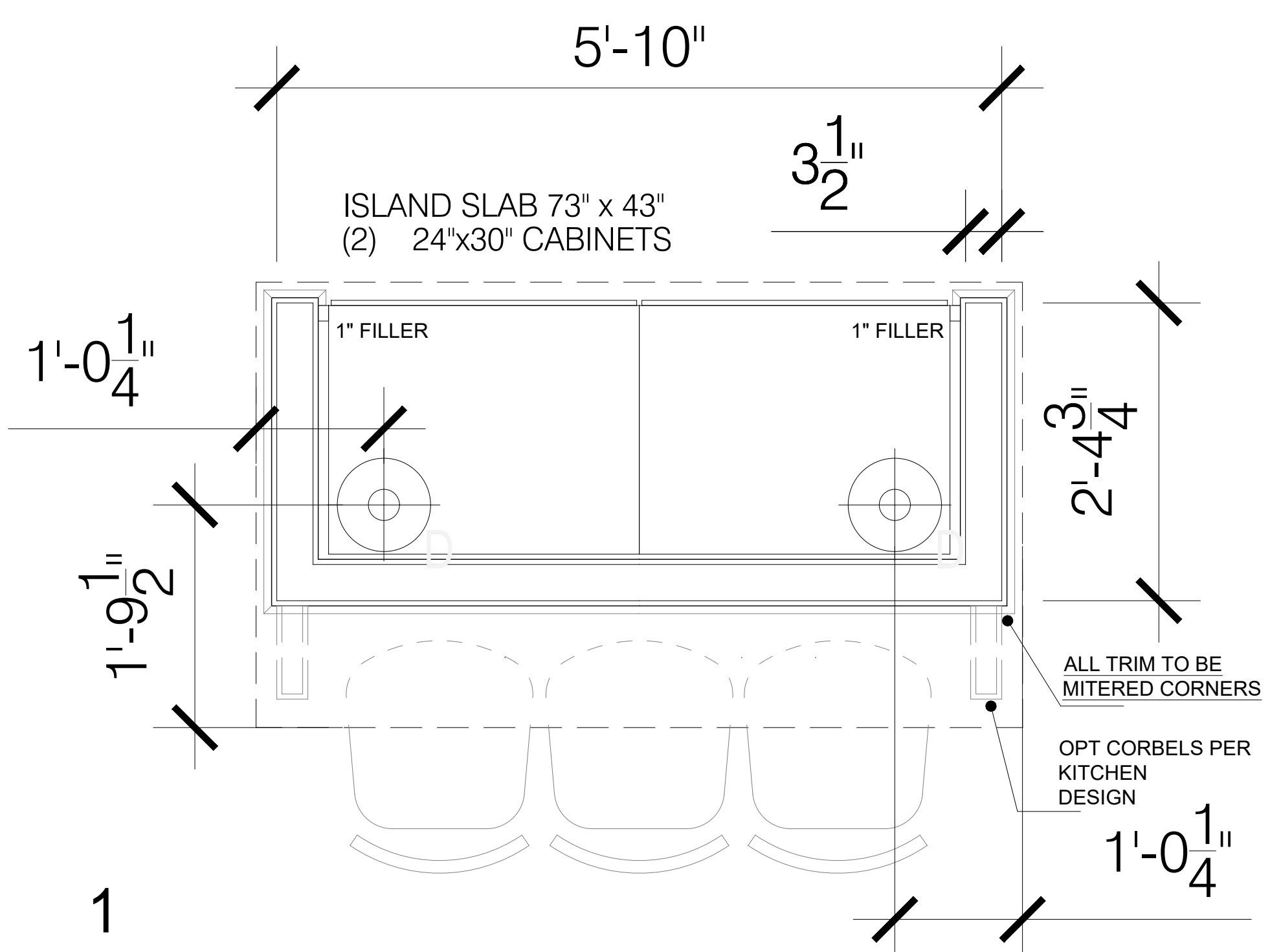


TYP. ISLAND SIDE WALL

TYP. ISLAND SINK-SIDE WALL

TYP. ISLAND BAR STOOL SIDE WALL

FRAMED KITCHEN ISLAND - TYP ELEVATIONS
SCALE: 1" = 1'-0"



FRAMED KITCHEN ISLAND DESIGN OPTIONS
SCALE: 1" = 1'-0"

REVISIONS:

J.S. THOMPSON
ENGINEERING, INC.
333 E. SIX FORKS RD., SUITE 180
RALEIGH, NC 27609
PHONE: (919) 789-9919
FAX: (919) 789-9921
N.C. LICENSE NO.: C-1733

ASCOT
Land Development and Construction
(910) 688-7361 • www.ascotgrp.com

Copyright Ascot Corporation, LLC. All Rights Reserved 2022.

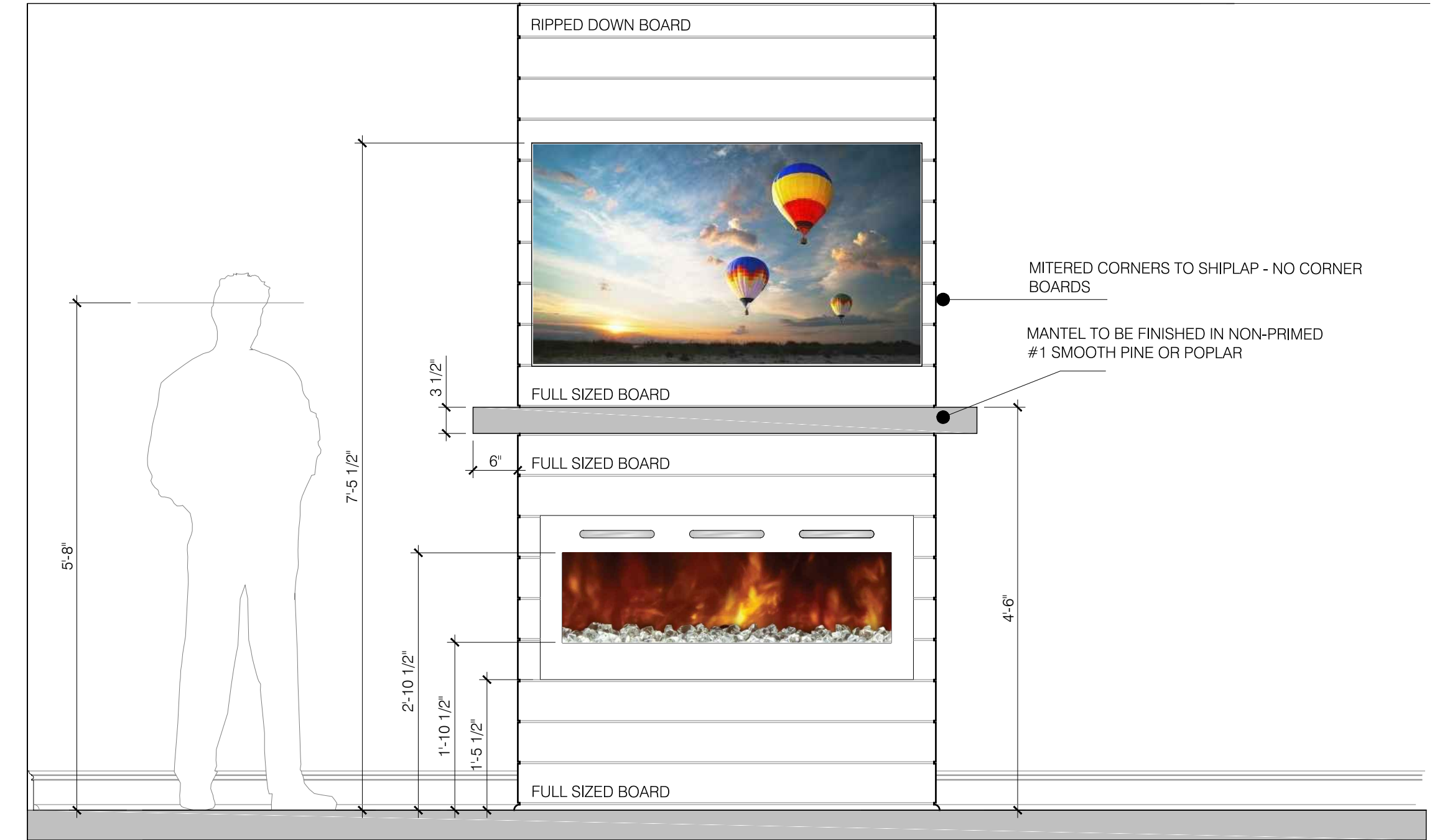
THE ARGYLE
FRAMED KITCHEN ISLAND
DESIGN OPTIONS

DATE: 2024-01-01
DRAWN BY: [blank]
ENGINEER: [blank]
CHECKED BY: [blank]
Q.C. BY: [blank]
SCALE: AS SHOWN

SHEET NUMBER:
FR.8



AS-BUILT MANTEL
SCALE: NTS



REVISIONS:

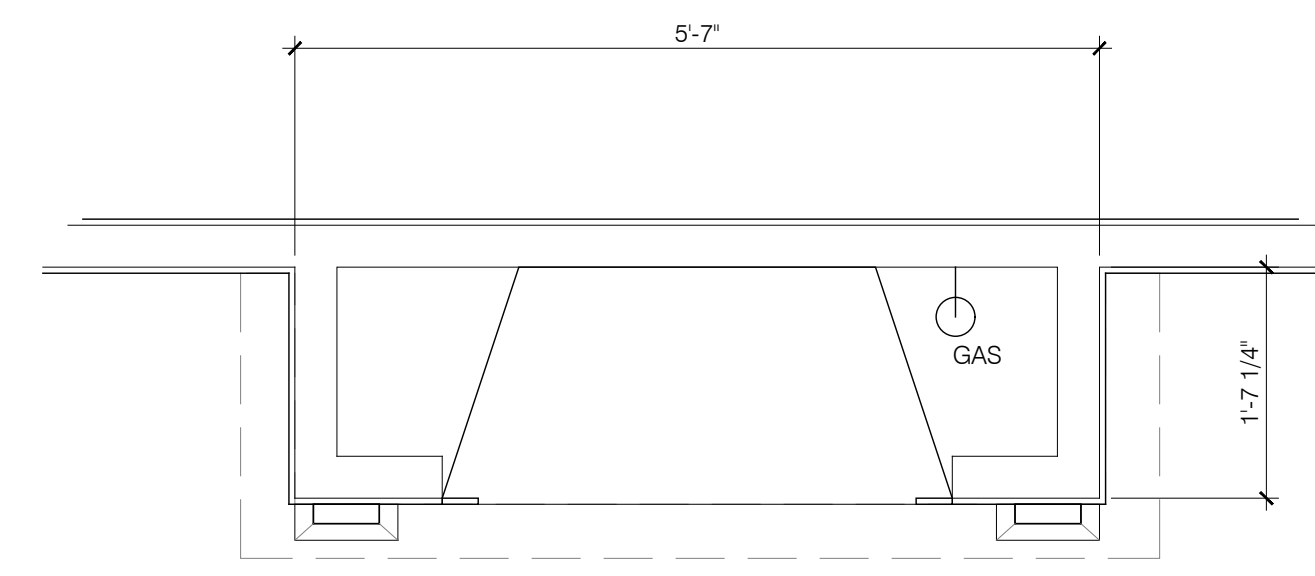
J.S. THOMPSON
ENGINEERING, INC.
333 E. SIX FORKS RD., SUITE 180
RALEIGH, NC 27609
PHONE: (919) 789-9919
FAX: (919) 789-9921
N.C. LICENSE NO.: C-1733

ASCOT
Land Development and Construction
(910) 688-7361 • www.ascotgrp.com

THE ARGYLE
ELECTRIC & GAS FIREPLACES
MANTEL DETAILS

DATE: 2023-09-01
DRAWN BY: JTD
ENGINEER: JST
CHECKED BY: NS
Q.C. BY: NS
SCALE: 1/4" = 1'-0"
SHEET NUMBER: AD.3

Copyright Ascot Corporation, LLC. All Rights Reserved 2022.



GAS FIREPLACE AND SURROUND
EXACTA 36 VENT FREE
FIREBOX - BUF36

OPTION SELECTION #2: GAS FIRE AND FIRE SURROUND
SCALE: 3/4" = 1'-0"

Specifications Exacta BUF36

FRAMING DIMENSIONS

A	B	C	D	E	F
42-1/2"	34-1/4"	19-3/4"	50"	70-3/4"	36"
(1080mm)	(870mm)	(500mm)	(1270mm)	(1785mm)	(915mm)

CLEARANCES TO COMBUSTIBLES

MINIMUM HEARTH DIMENSIONS

MANTEL LEG CLEARANCES

PROJECT LISTING CODES

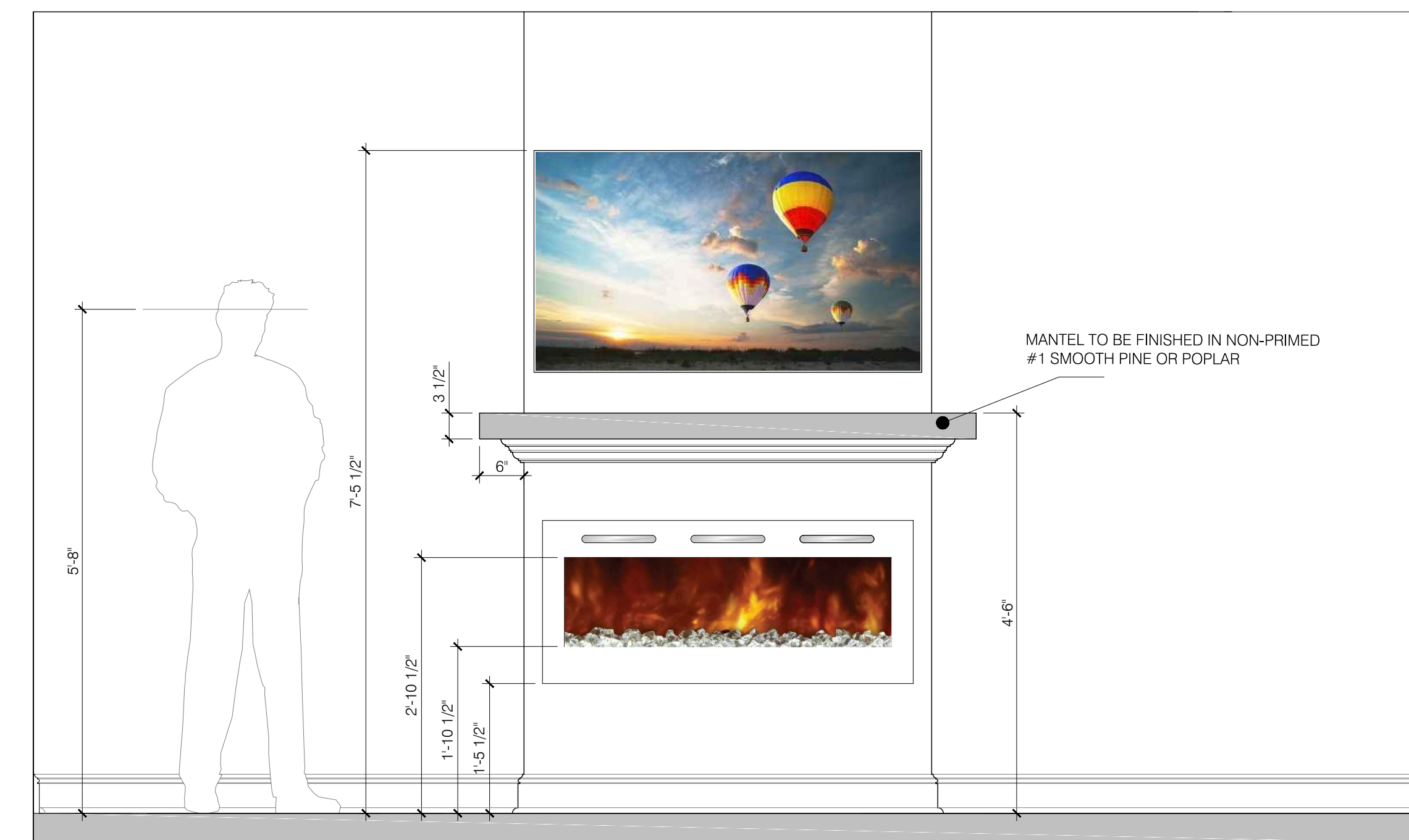
US: A19, E221, 1 / MFR34, 219, E2111
CAN: C1A Design Certified

Product information provided is not complete and is subject to change without notice. Product installation not shown, study to manufacturer's accompanying product to avoid risk of fire and potential injury.

Additional information can be found online at www.monessenfire.com

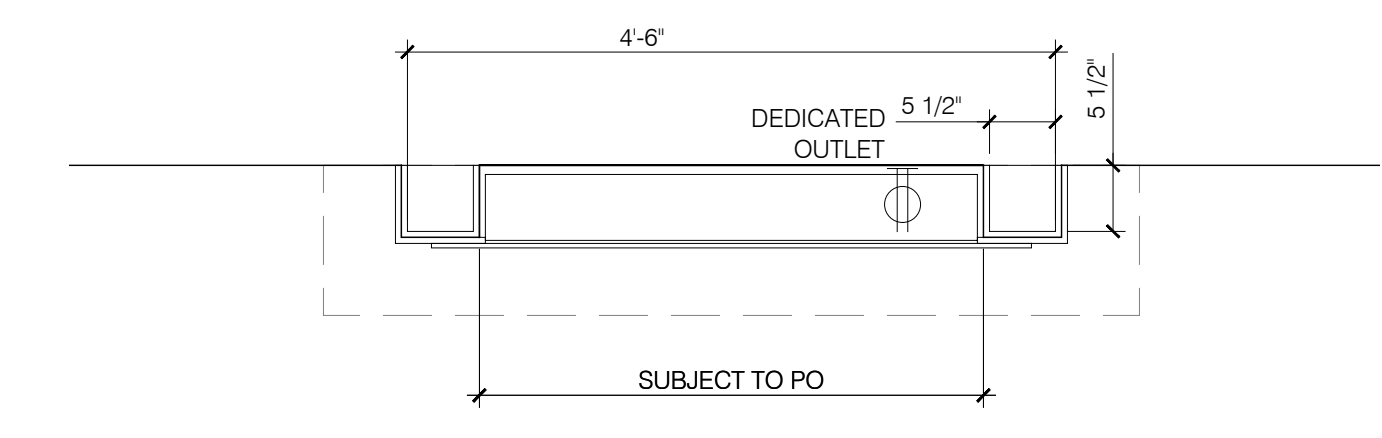
MONESSEN
LOVE AT FIRST LIGHT
(877) 852-4330 | www.monessenfire.com

EXACTA BUF36 SPEC SHEET #2
SCALE: NTS



LINEAR ELECTRIC
LIVING FLAME FIRE.
MODEL/SPEC - TBD

STANDARD SELECTION: ELECTRIC FIRE AND MANTEL - DRYWALL FINISH
SCALE: 3/4" = 1'-0"



LINEAR ELECTRIC
LIVING FLAME FIRE.
MODEL/SPEC - TBD

OPTION SELECTION #1 ELECTRIC FIRE AND MANTEL - SHIPLAP FINISH
SCALE: 3/4" = 1'-0"

Specifications Exacta BUF36

MONESSEN
LOVE AT FIRST LIGHT

Please consult the manufacturer's installation manual for all details and requirements before making a final design layout decision.

Exacta 36
Vent Free Gas Firebox

MODEL	FRONT WIDTH		BACK WIDTH		HEIGHT		VIEWING AREA
	Actual	Framing	Actual	Framing	Actual	Framing	
BUF36	42"	42-1/2"	31-1/4"	42-1/2"	34"	34-1/4"	20" x 19-3/4"
							36" x 27"

FRONT VIEW

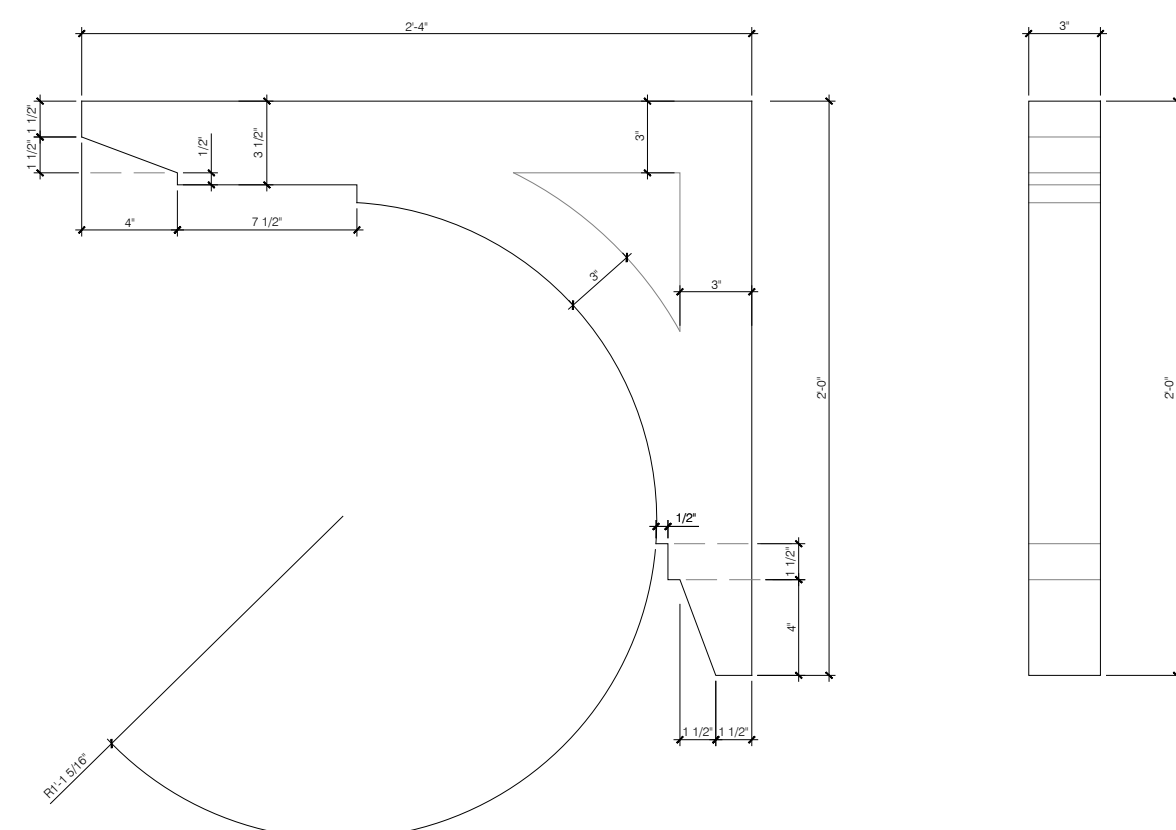
TOP VIEW

LEFT SIDE VIEW

RIGHT SIDE VIEW

Additional information can be found online at www.monessenfire.com

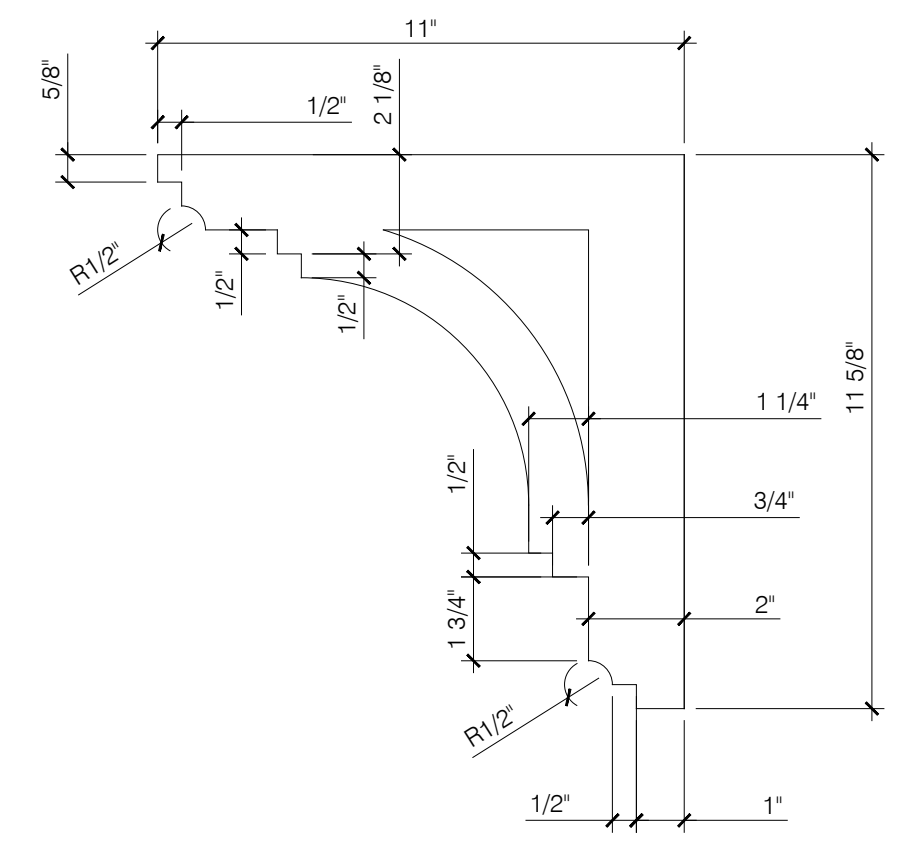
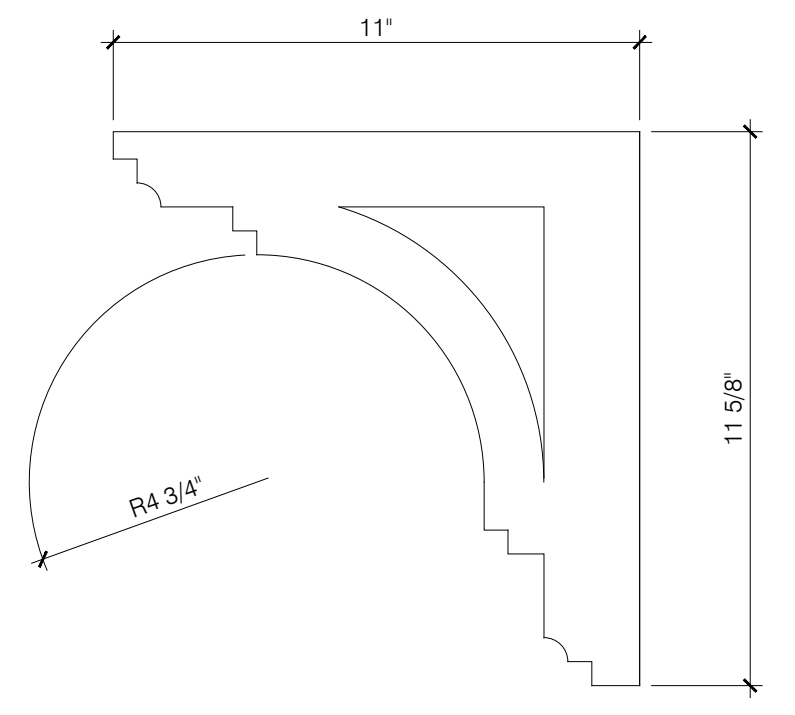
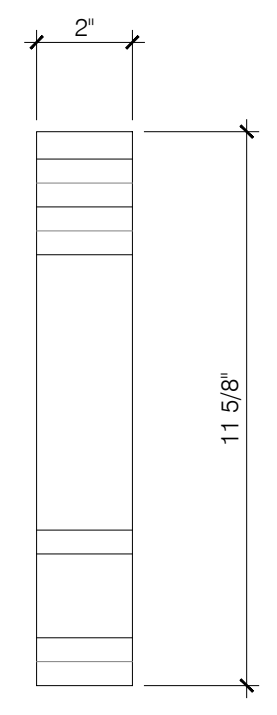
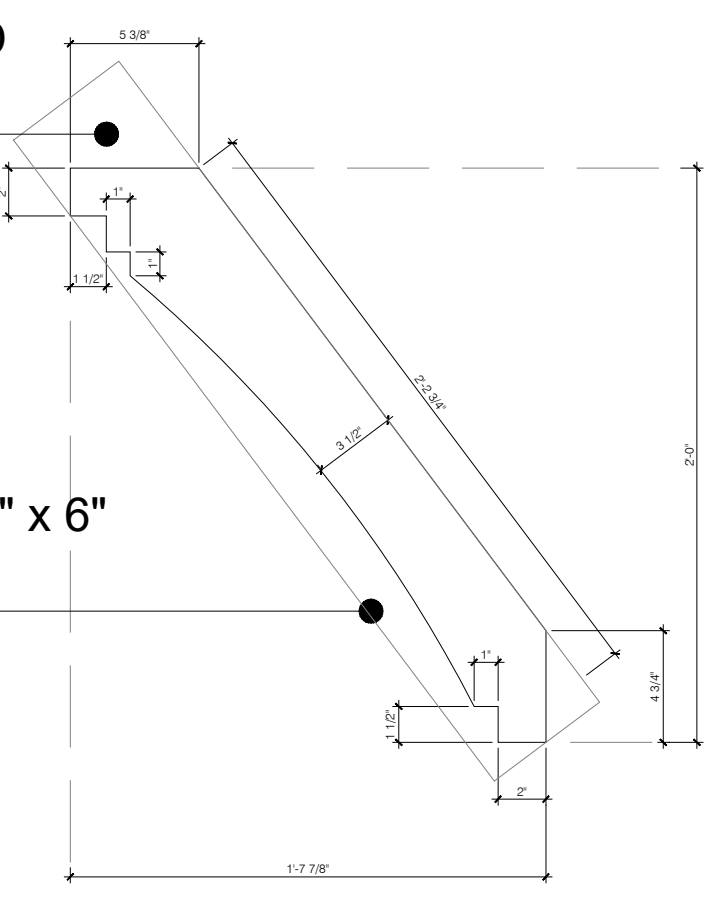
EXACTA BUF36 SPEC SHEET #1
SCALE: NTS



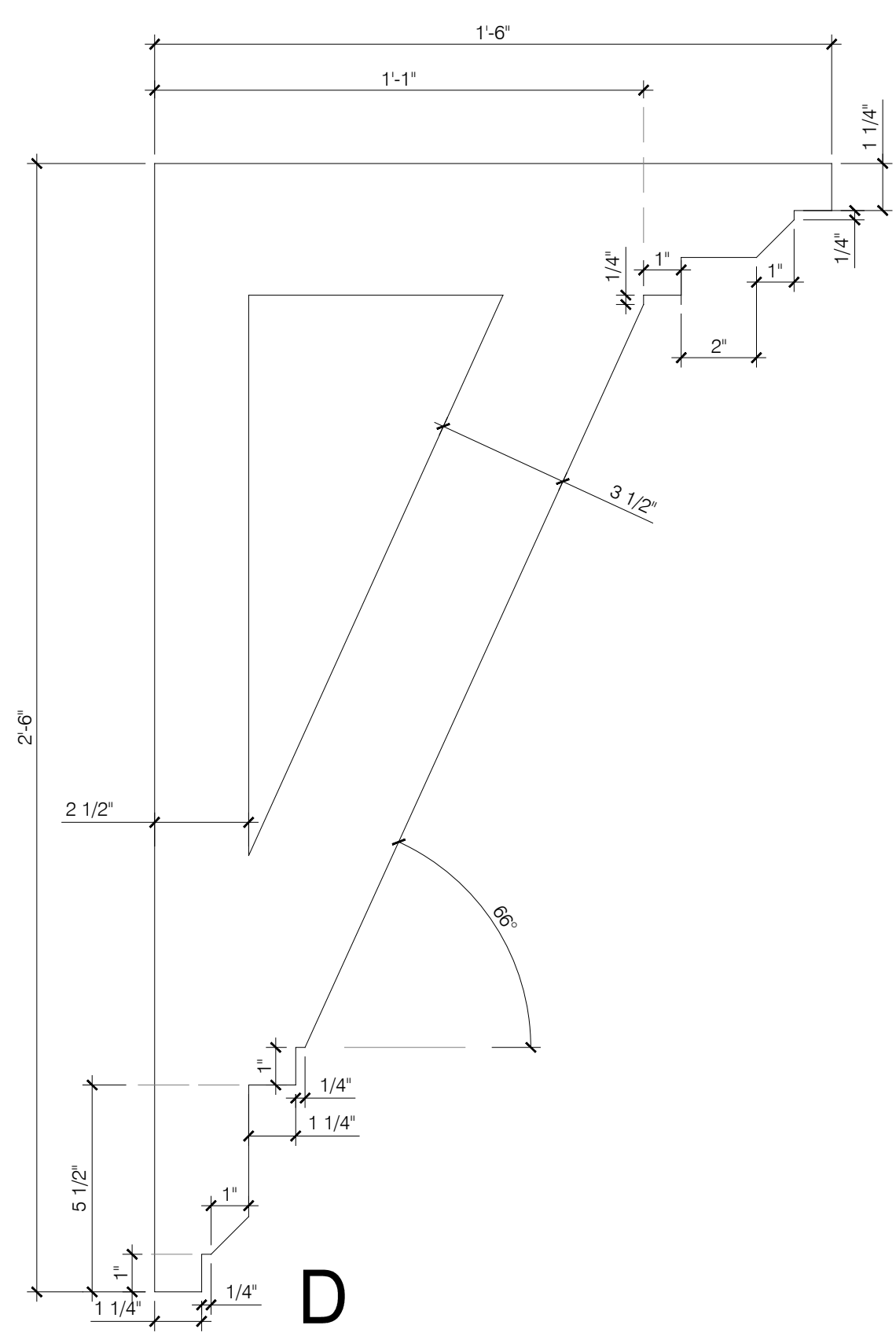
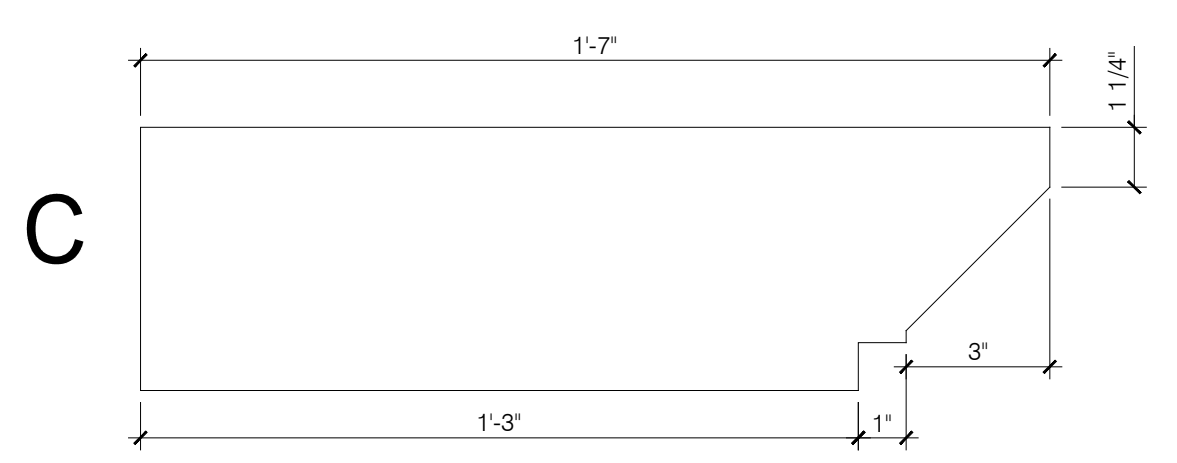
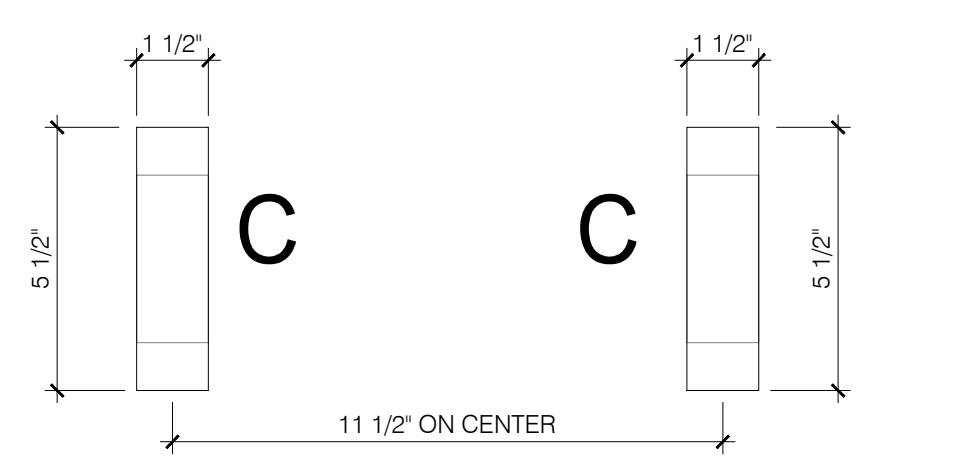
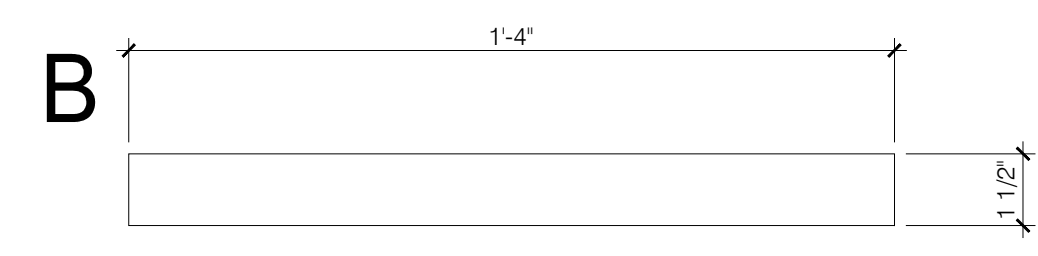
PORCH CORBEL PROFILE DETAILS
SCALE: 1 1/2" = 1'-0"

4" x 6" TREATED WOOD
TEMPLATE

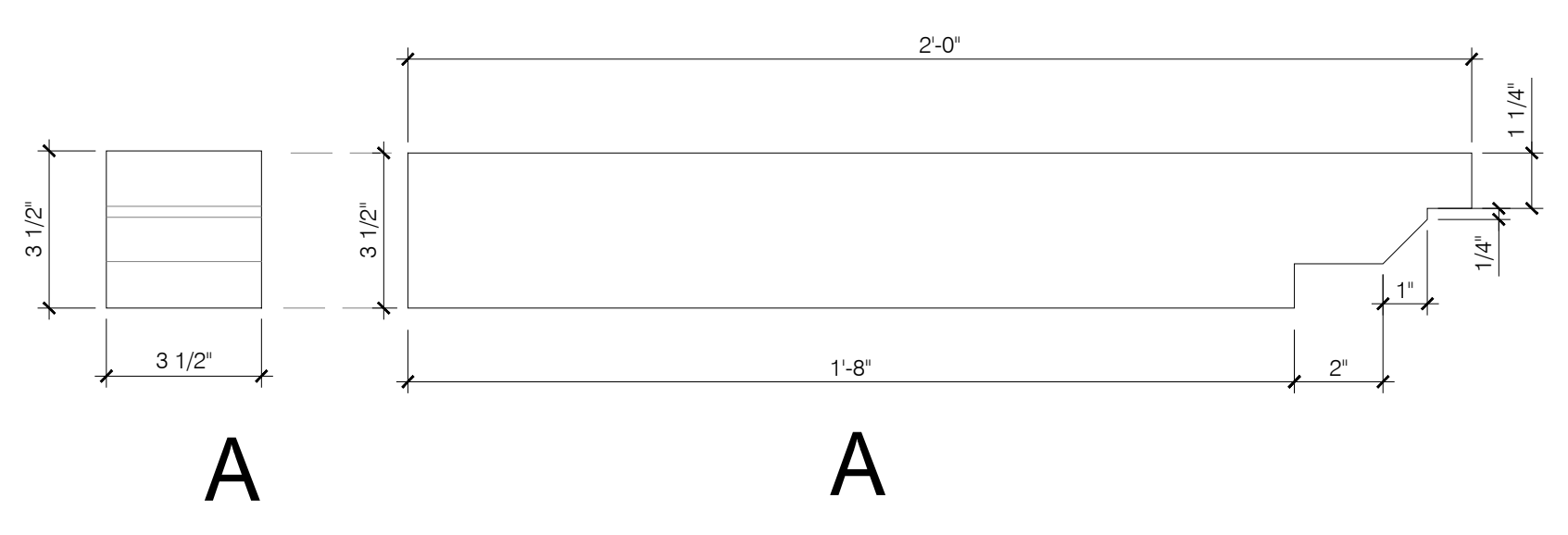
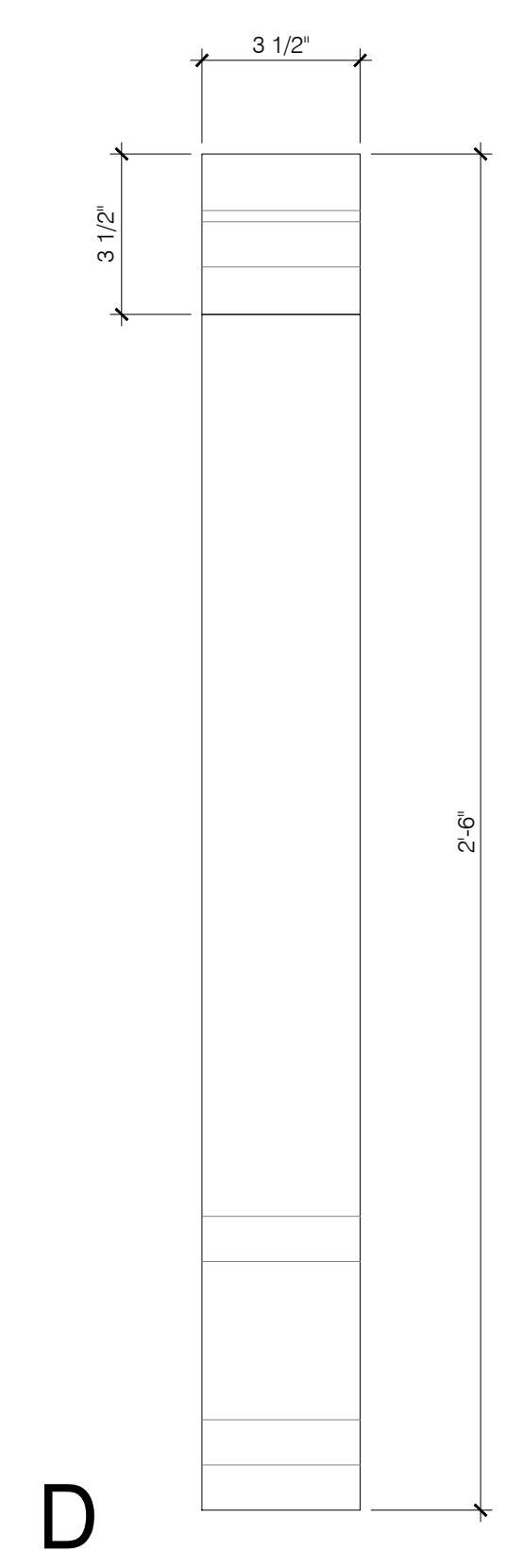
CORBELS CUT FROM 4" x 6"
TREATED WOOD



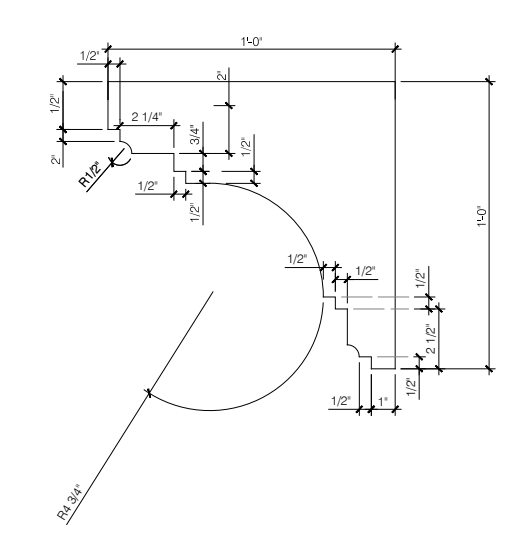
PORCH CORBEL PROFILE DETAILS
SCALE: 3" = 1'-0"



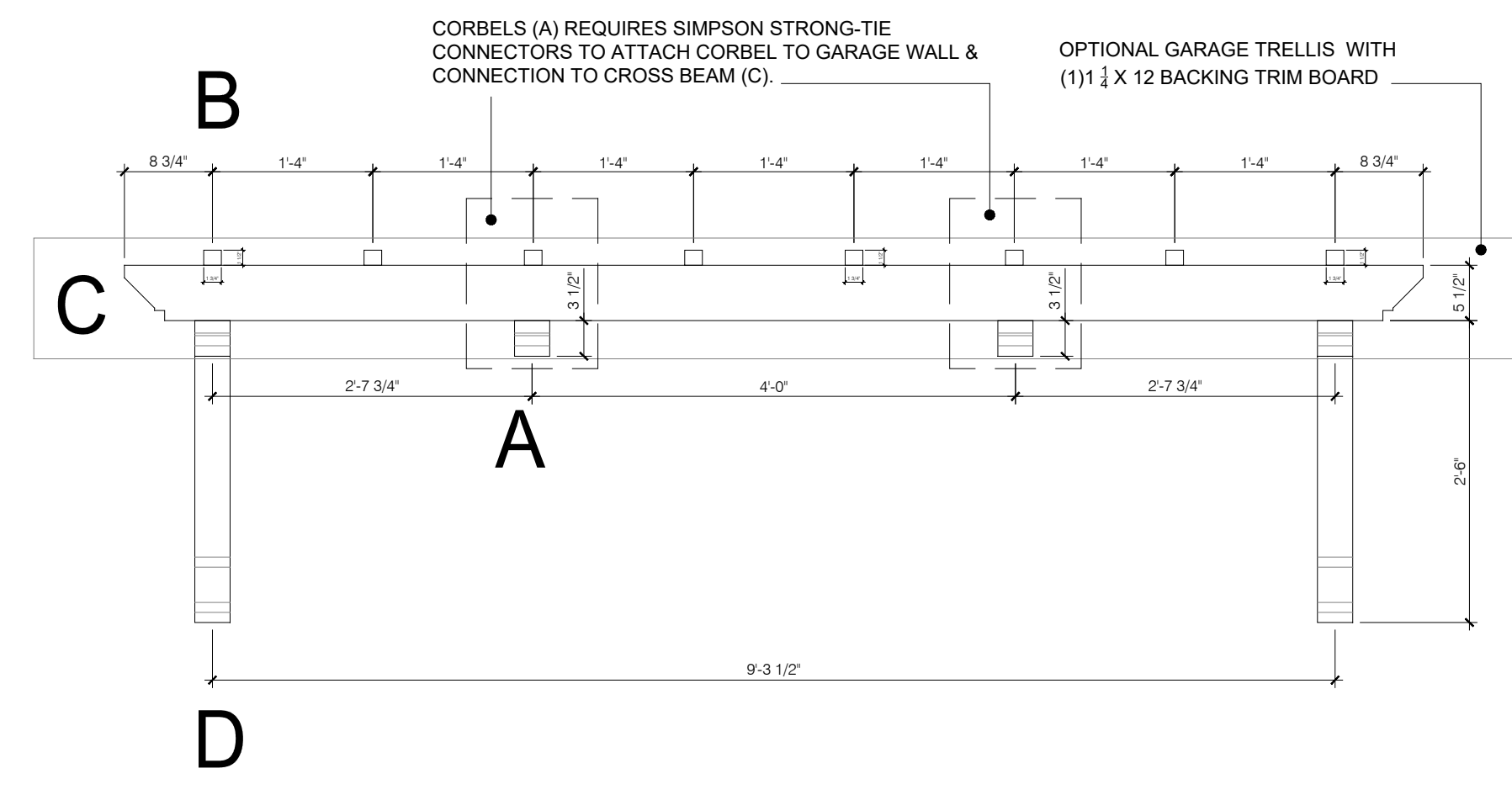
GARAGE EXTERNAL TRELLIS PROFILES
SCALE: 3" = 1'-0"



GARAGE EXTERNAL TRELLIS DETAILS
SCALE: 3/4" = 1'-0"



CORNICE MODILLION PROFILE DETAILS
SCALE: 1 1/2" = 1'-0"



REVISIONS:

J.S. THOMPSON
ENGINEERING, INC.
333 E. SIX FORKS RD., SUITE 180
RALEIGH, NC 27609
PHONE: (919) 789-9919
FAX: (919) 789-9921
N.C. LICENSE NO. C-1733

ASCOT
Land Development and Construction
(910) 688-7361 • www.ascotgrp.com

THE ARGYLE
EXTERNAL GARAGE TRELLIS, CORBELS, BRACKETS &
MODILLION DETAILS

DATE: 2024-01-01
DRAWN BY: NS
ENGINEER: JST
CHECKED BY: NS
SCALE: AS SHOWN
SHEET NUMBER:
AD.8

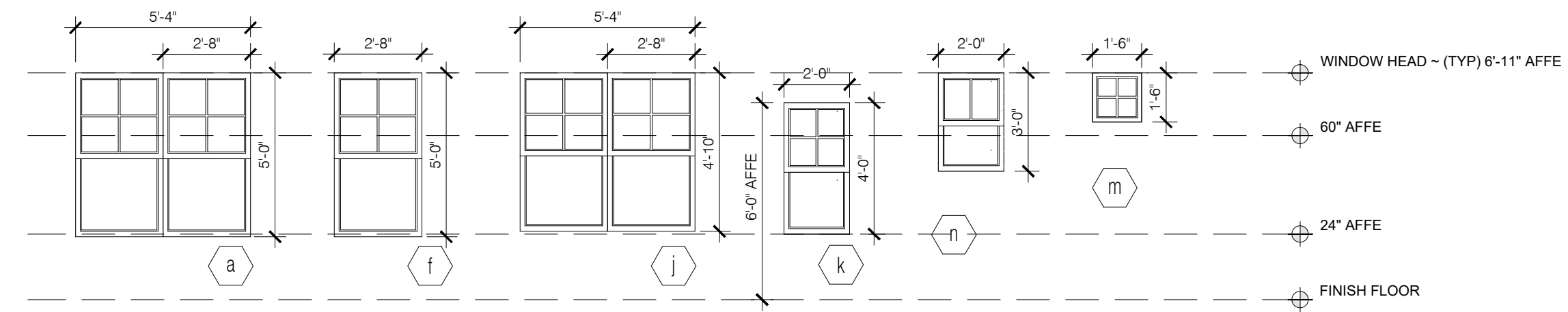
NOTES:
GLAZING IN WET AREAS WHEN A BATH TUB OR SHOWER IS INSTALLED SHALL BE TEMPERED GLASS WHEN THE BOTTOM EXPOSED EDGE OF THE GLAZING IS LESS THAN 60" MEASURED VERTICALLY ABOVE THE FINISHED FLOOR ELEVATION - PER CODE: R308.4.5.

WHERE THE BOTTOM EXPOSED EDGE OF THE GLAZING IS BELOW 24" MEASURED VERTICALLY ABOVE THE FINISHED FLOOR ELEVATION TEMPERED GLASS SHALL COMPLY WITH EITHER ~ PREVENTATIVE FALL DEVICES SHALL BE INSTALLED OR THE WINDOW OPENING SHALL BE RESTRICTED TO A 4" OPENING DIMENSION NOT ALLOWING A 4" SPHERE TO PASS, PER CODE: R312.2.1.

GLAZING WHERE THE BOTTOM EXPOSED EDGE OF GLAZING IS WITHIN 36" ABOVE THE PLANE OF THE STAIRCASE WALKING SURFACE, LANDINGS SHALL BE CONSIDERED A HAZARDOUS LOCATION, PER CODE: R308.4.6

WHERE GLAZING IS WITHIN 24" OF EITHER SIDE OF A DOOR IN A CLOSED POSITION SHALL BE CONSIDERED A HAZARDOUS LOCATION, PER CODE: R308.4.2

GLAZING ADJACENT TO A LANDING AT THE BOTTOM OF A STAIRWAY WHERE GLAZING IS LESS THAN 36" ABOVE THE LANDING AND WITHIN 60" HORIZONTAL ARC LESS THAN 180 DEGREES FROM THE BOTTOM STAIR NOSING IS CONSIDERED A HAZARDOUS LOCATION, PER CODE: 308.4.7



WINDOW & DOOR GLAZING PATTERNS

SCALE: 1/4" = 1'-0"

SHUTTER & HARDWARE DETAILS

SCALE: 1/4" = 1'-0"

EXTERNAL DOOR SCHEDULE

MARK	SIZE (WxH)	LOCATION
1	3'-0" X 6'-8"	FRONT ENTRANCE - TEMPERED GLASS
2	16'-0" X 8'-0"	GARAGE DOOR WITH OPTIONAL GLAZING PANELS
3	2'-8" X 6'-8"	DINING ROOM/COVERED PORCH - TEMPERED GLASS
4	*2'-8" X 6'-8"	*OPTIONAL GARAGE DOOR
5	*9'-0" X 8'-0"	*OPTIONAL 3RD CAR GARAGE DOOR WITH OPTIONAL GLAZING PANELS
6	*2'-8" X 6'-8"	*OPTIONAL 3RD CAR GARAGE DOOR

INTERNAL DOOR SCHEDULE

SIZE	QUANTITY	DOOR TYPE	NOTES
2'-0" X 6'-8"	2		(1) RE-USED IN STUDY/FLEX ROOM MEDIA CL OPTION
2'-4" X 6'-8"	12	SINGLE	(1) RE-USED IN STUDY/FLEX ROOM POWDER OPTION
2'-6" X 6'-8"	5	SINGLE	
2'-8" X 6'-8"	1	SINGLE	GARAGE FIRE DOOR - 20 MINUTE MIN
2'-8" X 6'-8"	1	SINGLE	LAUNDRY
*3'-0" X 6'-8"	1 DOOR SET	BI-SWING PAIR	OPTIONAL STUDY/FLEX ROOM CLOSET OPTION
4'-0" X 6'-8"	1 DOOR SET	BI-SWING PAIR	
*5'-0" X 6'-8"	1 DOOR SET	BI-SWING PAIR	OPTIONAL STUDY/FLEX ROOM DOOR OPTION

WINDOW SCHEDULE

MARK	RO SIZE (WxH)	WINDOW TYPE	LOCATION	QUANTITIES	NOTES
a	TWIN 2'-8" X 5'-0"	SINGLE HUNG	GUEST BEDROOM #4, LIVING ROOM, DINING ROOM	3	EGRESS
b	NOT USED				
c	NOT USED				
d	NOT USED				
e	NOT USED				
f	*2'-8" X 5'-0"	SINGLE HUNG	KITCHEN	1 + *(4) OPTIONS	*OPTIONAL WINDOWS TO LIVING ROOM & SIDE LOAD GARAGE OPTION
g	NOT USED				
h	NOT USED				
j	TWIN 2'-8" X 4'-10"	SINGLE HUNG	MASTER BED, GUEST BEDS #2 & #3, RECREATIONAL ROOM	4	EGRESS
k	2'-0" X 4'-0"	SINGLE HUNG	RECREATIONAL ROOM	1	
m	1'-6" X 1'-6"	FIXED	GUEST BED #3 W.I.C	1	EGRESS
n	2'-0" X 3'-0"	SINGLE HUNG	MASTER BATHROOM, GUEST BATHROOM	2	TEMPERED GLASS

GENERAL NOTES:

- ALL WINDOWS SHALL BE IN DOUBLE GLAZED INSULATED LOW 'E' GLAZING
- ALL HARDWARE TO BE PER CLIENT/ASCOT CORPORATION SELECTIONS
- DETAIL SHOP DRAWINGS FOR ALL WINDOW TYPES SHALL BE APPROVED
- ALL PROFILES TO BE APPROVED BY ASCOT CORPORATION
- WINDOW DIMENSIONS AND GLAZING PATTERN ARE PER NOMINATED VINYL SIZE DOCUMENTATION COLORED VINYL SINGLE HUNG TILT & SLIDE & FIXED WINDOWS
- WINDOWS NOTED AS EGRESS SHALL COMPLY WITH THE RELEVANT BUILDING CODE REFERENCE. ALL WINDOWS SILLS LOWER THAN 24" ABOVE FINISHED FLOOR ELEVATIONS SHALL BE PROVIDED WITH FALL PREVENTATIVE DEVICES OR RESTRICTED TO ONLY ALLOW A 4" DIAMETER SPHERE TO PASS. NO WINDOW SILL SHALL BE HIGHER THAN 72" ABOVE ADJACENT GRADE.
- EGRESS WINDOWS SHALL HAVE A NET OPENING AREA OF NOT LESS THAN 5.0 SQFT (20 X 24) - (NORTH CAROLINA) FOR GRADE FLOOR EGRESS OR 5.7 SQFT TO UPPER EGRESS FLOORS. NO WINDOW SILL SHALL BE HIGHER THAN 44" ABOVE FINISHED FLOOR ELEVATION OR BELOW A MIN OF 24 ABOVE THE FINISHED FLOOR.
- CONTRACTOR/ASCOT CORPORATIONS SUPERINTENDENT SHALL VERIFY ALL MASONRY & FRAME OPENINGS BUILT ON SITE PRIOR TO WINDOW INSTALLATION.
- TEMPERED GLAZING SHALL BE PROVIDED AND INSTALLED WITH CRITICAL HAZARDOUS LOCATIONS PER LOCAL AND STATE CODES, AND AS NOTED ON PLANS AND ELEVATIONS HEREIN, UNLESS OTHERWISE AGREED WITH CODE OFFICIALS.
- GLAZING IN WET AREAS WHEN A BATH TUB OR SHOWER IS INSTALLED SHALL BE TEMPERED GLASS WHEN THE BOTTOM EDGE OF THE GLAZING IS LESS THAN 60" MEASURED VERTICALLY ABOVE THE FINISHED FLOOR ELEVATION - PER CODE: R308.4.5

GENERAL NOTES

SCALE: NTS

SCHEDULES

SCALE: NTS

REVISIONS:
REV A: 04-24-2023 NOTES UPDATED TO SHEET A4. MULL PLATES REMOVED & BI-SWING DOORS UPDATED

J.S. THOMPSON
ENGINEERING, INC.
333 E. SIX FORKS RD, SUITE 180
RALEIGH, NC 27609
PHONE: (919) 789-9919
FAX: (919) 789-9921
N.C. LICENSE NO. C-1733

ASCOT
Land Development and Construction
(910) 688-7361 • www.ascotgrp.com

THE ARGYLE

WINDOW & DOOR SCHEDULES

DATE: 2023-02-08
DRAWN BY: JST
ENGINEER: NS
CHECKED BY: NS
O.C. BY: NTS
SCALE: NTS
SHEET NUMBER#:

A4

NOTE:
AC RETURN VENTS SHALL NOT BE PLACED WITHIN 10'
OF AN OPEN COMBUSTION CHAMBER, A DRAFT HOOD OR
ANOTHER APPLIANCE OR WITHIN 10' OF COOKING APPLIANCES.
CODE M.1602.2 / 601.5

REVISIONS:
REV A: 04.13.2023, 6" CAN LIGHTS REVISED TO 4"
REV B: 04.17.2023, CAN LIGHT QUANTITY REDUCED
REV C: 07.19.2023, 3RD CAR GARAGE SIZE REDUCED
REV D: 09.13.2023, AC CHANGES UPDATED TO EX. AC DESIGN ISSUES
REV E: 03.14.2024, 7605 AND 7606 DRAP ADDED

J.S. THOMPSON
ENGINEERING, INC.
333 E. SIX FORKS RD, SUITE 180
RALEIGH, NC 27609
PHONE: (919) 789-9919
FAX: (919) 789-9921
N.C. LICENSE NO. C-1733

ASCOT
Land Development and Construction
(910) 688-7361 • www.ascotgrp.com

THE ARGYLE
ELECTRICAL - MAIN FLOOR PLAN

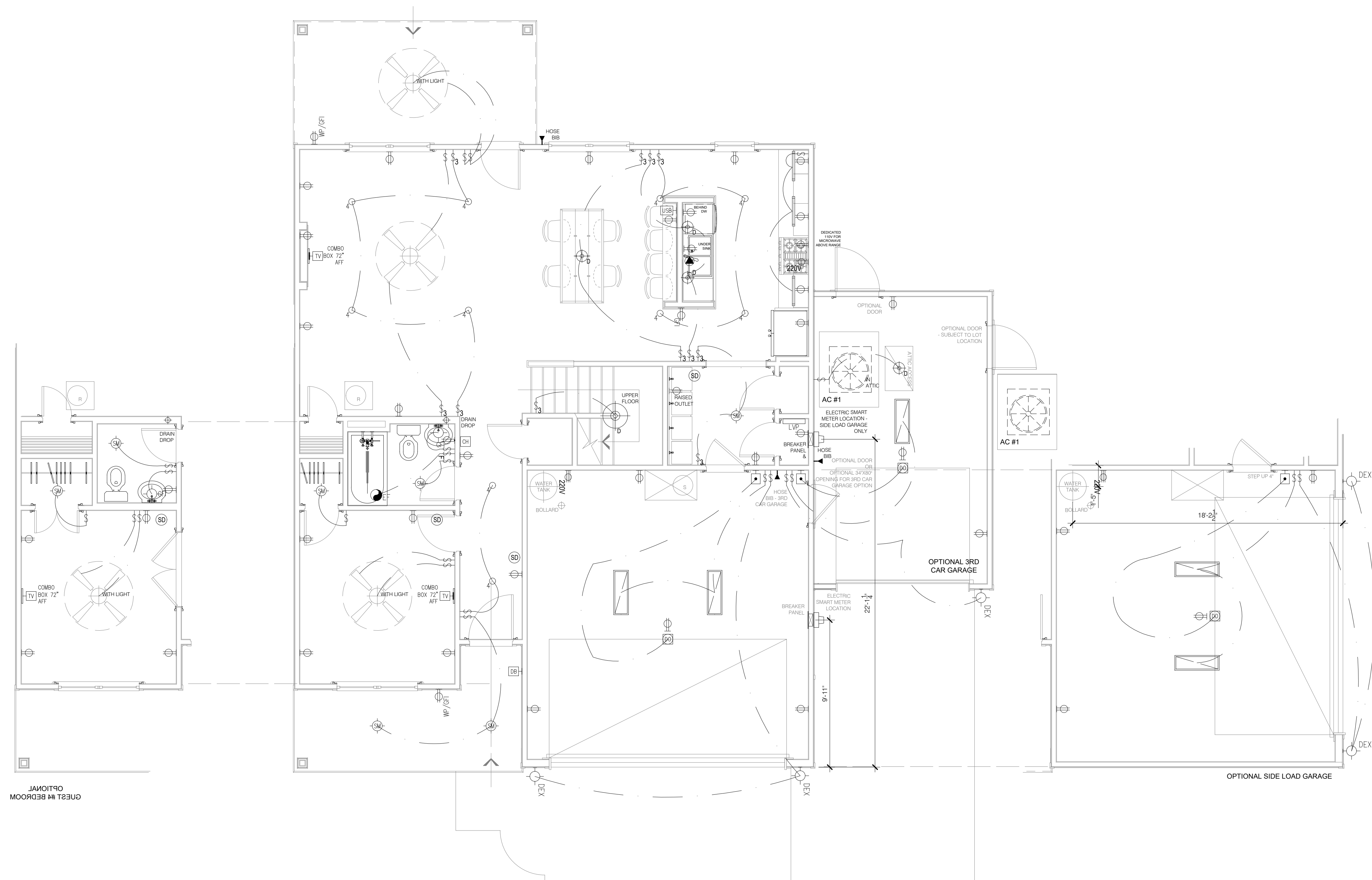
DATE: 2023-02-08
DRAWN BY: JST
ENGINEER: NS
CHECKED BY: NS
O.C. BY: NS
SCALE: AS SHOWN
SHEET NUMBER: **E1**

ELECTRICAL NOTES:

1. PROVIDE AND INSTALL CERTIFIED SMOKE DETECTORS AS REQUIRED BY NATIONAL FIRE PROTECTION ASSOCIATION (NFPA) AND MEETING THE REQUIREMENTS OF ALL GOVERNING CODES. ALL SMOKE DETECTORS SHALL NOT BE LOCATED WITHIN THREE FEET OF A BATHROOM OR AN A/C SUPPLY.
2. PROVIDE AND INSTALL GROUND FAULT CIRCUIT INTERRUPTERS (GFI) AS REQUIRED BY NATIONAL ELECTRIC CODE (NEC) AND MEETING THE REQUIREMENTS OF ALL GOVERNING CODES.
3. HVAC CONTRACTOR TO VERIFY THERMOSTAT LOCATIONS.
4. ALL ELECTRICAL AND MECHANICAL EQUIPMENT (I.E. FURNACES, A/C UNITS, ELECTRICAL PANELS, AND WATER HEATERS) ARE SUBJECT TO RELOCATION PER FIELD CONDITIONS.
5. PROJECT WALK-THRU WITH SUPERINTENDENT AND ELECTRICAL CONTRACTOR TO BE SCHEDULED PRIOR TO ELECTRICAL ROUGH-IN.
6. REFER TO CABINET DRAWINGS AND LIGHTING DETAILS FOR POWER STUB-OUT LOCATIONS FOR BUILT-IN AND CABINET LIGHTING.
7. ALL ELECTRICAL PLANS AND LOCATIONS AS SHOWN ARE TO BE LAID OUT PER LOCAL AND STATE BUILDING CODES AND ANY RELEVANT INSPECTIONS.
8. ALL LIGHTING LOCATIONS SHALL BE REVIEWED AND COORDINATED WITH APPROVED FLOOR AND ROOF TRUSS LAYOUTS PRIOR TO INSTALLATION IN THE FIELD.

STANDARD ELECTRICAL & LIGHTING KEY

WIRING CIRCUIT	WHIP FOR LIGHTING
LV WIRING CIRCUIT LOW VOLTAGE	3" RECESSED INCANDESCENT CEILING LIGHT
LIGHTING CONTROL	4" RECESSED INCANDESCENT CEILING LIGHT
WALL SWITCH SINGLE POLE	4" RECESSED LED CEILING CAN LIGHT
THREE-WAY SWITCH	4" VAPOR PROOF LED RECESSED CAN LIGHT
FOUR-WAY SWITCH	JUNCTION BOX REINFORCED CEILING MOUNT
FAN SWITCH	CEILING JUNCTION BOX
DIMMER SWITCH	SURFACE MOUNTED LED CEILING LIGHT
THREE-WAY DIMMER SWITCH	PENDANT LIGHT
DIMMER SWITCH ON SYSTEM	CHANDELIER (REINFORCED CEILING MOUNT)
SINGLE POLE SWITCH ON SYSTEM	WALL MOUNTED INCANDESCENT LIGHT FIXTURE
PUSH BUTTON SWITCH (GARAGE DOOR)	DECORATIVE EXTERIOR SCONCE
MOTORIZED SHADE (INTERIOR)	AIMABLE RECESSED DOWN LIGHT LOW VOLTAGE
MOTORIZED SHUTTERS (EXTERIOR)	LED RECESSED DOWN LIGHT - PHOTO CELL
DOOR BELL	PUCK LIGHT
CHIMES	DOUBLE LAMP CEILING LIGHT (CLOSET)
DUPLEX OUTLET	TRIPLE LAMP CEILING LIGHT (CLOSET)
GROUND FAULT DUPLEX OUTLET ABOVE COUNTER	JAMB LIGHT FIXTURE
GROUND FAULT INTERRUPTER DUPLEX OUTLET	TRACK LIGHT FIXTURE
WEATHERPROOF GROUND FAULT DUPLEX OUTLET	FLUORESCENT FIXTURE-SURFACE MOUNT
HALF-SWITCHED DUPLEX OUTLET	CEILING FAN (Add light where indicated)
DEDICATED OUTLET	SINGLE FLOOD LIGHT
220 VOLT OUTLET	PHOTO CELL DOUBLE FLOOD LIGHT
FLOOR OUTLET	UC STRIP LIGHT
HALF SWITCHED FLOOR OUTLET	STRIP LIGHT ABOVE CABINET
TELEPHONE/DATA-FLOOR	TOE KICK STRIP LIGHT
CLOCK BOX-WALL	UNDER CABINET LIGHT
RECESSED TV COMBINATION BOX	PLUG MOLD
TV CONNECTION	COVE LIGHTING-LINEAR
TELEPHONE/DATA-WALL	TRANSFORMER
ELECTRICAL OUTLET / USB COMBO	DRIVER
DTV SHOWERING SYSTEM	DEMARICATION BOX
KEYPAD-SYSTEM CONTROL	ELECTRIC METER
THERMOSTAT	ELECTRIC PANEL
KEYPAD FOR ALARM	DISCONNECT SWITCH
HEAT DETECTOR	GAS METER
LIGHT & EXHAUST FAN	WATER METER
EXHAUST FAN	GAS VALVE
LANDSCAPE LIGHTING (POWER/SWITCH LEG)	AIR SWITCH
CARBON MONOXIDE/SMOKE DETECTOR COMBINATION UNIT	PIN LIGHT
SPEAKER (OPTIONAL)	LOW VOLTAGE PANEL
GARBAGE DISPOSAL	
ELECTRIC DOOR OPERATOR (GARAGE)	



MAIN FLOOR PLAN WITH OPTIONS - ELECTRICAL
SCALE: 1/4" = 1'-0"

ELECTRICAL SYMBOLS LEGEND
SCALE: NTS

ELECTRICAL NOTES:

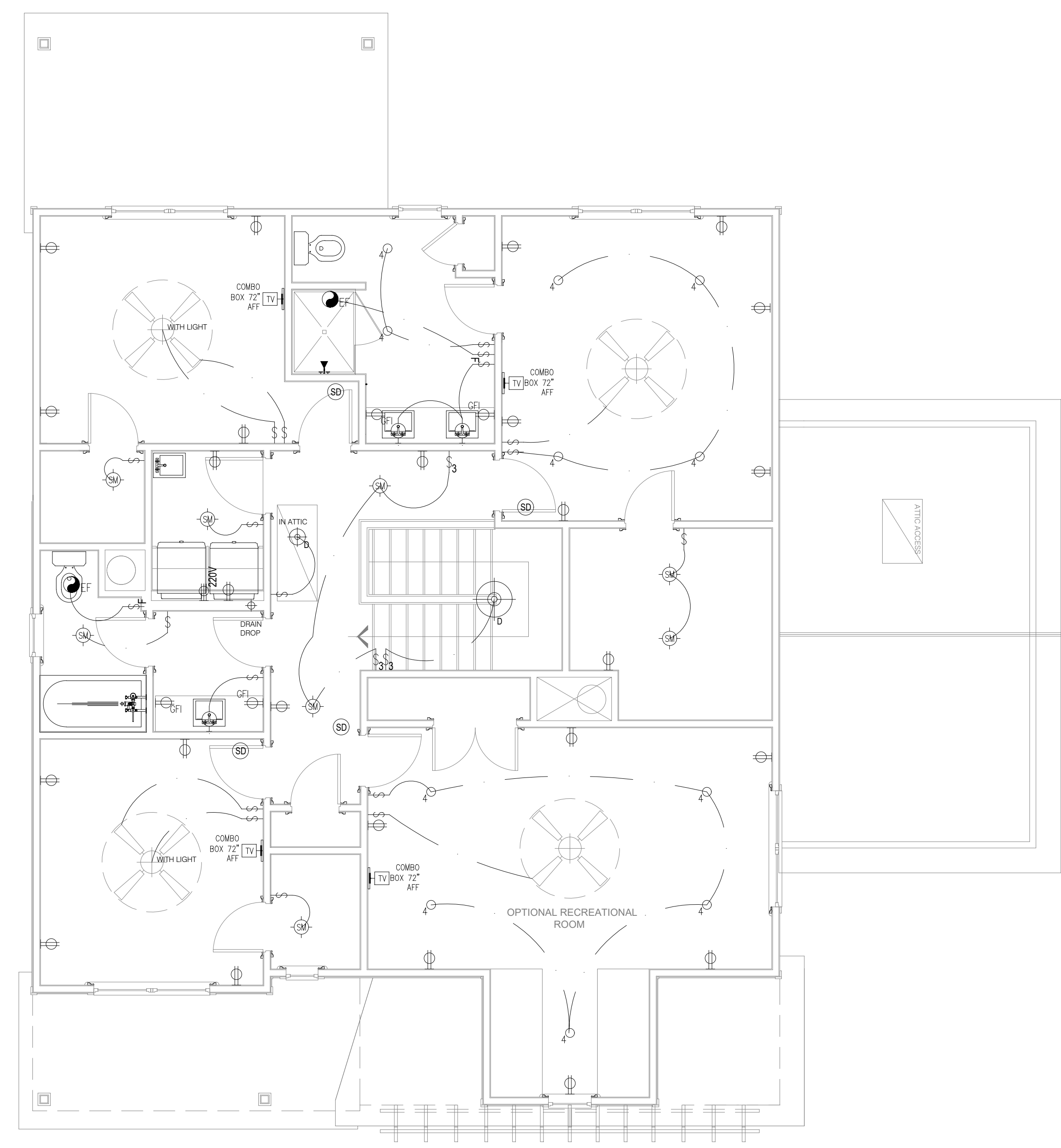
1. PROVIDE AND INSTALL CERTIFIED SMOKE DETECTORS AS REQUIRED BY NATIONAL FIRE PROTECTION ASSOCIATION (NFPA) AND MEETING THE REQUIREMENTS OF ALL GOVERNING CODES. ALL SMOKE DETECTORS SHALL NOT BE LOCATED WITHIN THREE FEET OF A BATHROOM OR AN A/C SUPPLY.
2. PROVIDE AND INSTALL GROUND FAULT CIRCUIT-INTERRUPTERS (GFI) AS REQUIRED BY NATIONAL ELECTRIC CODE (NEC) AND MEETING THE REQUIREMENTS OF ALL GOVERNING CODES.
3. HVAC CONTRACTOR TO VERIFY THERMOSTAT LOCATIONS.
4. ALL ELECTRICAL AND MECHANICAL EQUIPMENT (I.E. FURNACES, A/C UNITS, ELECTRICAL PANELS, AND WATER HEATERS) ARE SUBJECT TO RELOCATION PER FIELD CONDITIONS.
5. PROJECT WALK-THRU WITH SUPERINTENDENT AND ELECTRICAL CONTRACTOR TO BE SCHEDULED PRIOR TO ELECTRICAL ROUGH-IN.
6. REFER TO CABINET DRAWINGS AND LIGHTING DETAILS FOR POWER STUB-OUT LOCATIONS FOR BUILT-IN AND CABINET LIGHTING.
7. ALL ELECTRICAL PLANS AND LOCATIONS AS SHOWN ARE TO BE LAID OUT PER LOCAL AND STATE BUILDING CODES AND ANY RELEVANT INSPECTIONS.
8. ALL LIGHTING LOCATIONS SHALL BE REVIEWED AND COORDINATED WITH APPROVED FLOOR AND ROOF TRUSS LAYOUTS PRIOR TO INSTALLATION IN THE FIELD.

NOTE:
AC RETURN VENTS SHALL NOT BE PLACED WITHIN 10'
OF AN OPEN COMBUSTION CHAMBER, A DRAFT HOOD OF
ANOTHER APPLIANCE OR WITHIN 10' OF COOKING APPLIANCES.
CODE M.1602.2 / 601.5

REVISIONS:
REV A: 04.13.2023, 6" CAN LIGHTS REVISED TO 4"
REV B: 04.17.2023, CAN LIGHT QUANTITY REDUCED
REV C: 07.19.2023, 3RD CAR GARAGE SIZE REDUCED
REV D: 08.14.2023, 3RD CAR GARAGE TO BE ADDED TO THE
REV E: 08.14.2023, 3RD CAR GARAGE TO BE ADDED TO THE
REV F: 08.14.2023, 3RD CAR GARAGE TO BE ADDED TO THE
REV G: 08.14.2023, 3RD CAR GARAGE TO BE ADDED TO THE
REV H: 08.14.2023, 3RD CAR GARAGE TO BE ADDED TO THE
REV I: 08.14.2023, 3RD CAR GARAGE TO BE ADDED TO THE
REV J: 08.14.2023, 3RD CAR GARAGE TO BE ADDED TO THE
REV K: 08.14.2023, 3RD CAR GARAGE TO BE ADDED TO THE
REV L: 08.14.2023, 3RD CAR GARAGE TO BE ADDED TO THE
REV M: 08.14.2023, 3RD CAR GARAGE TO BE ADDED TO THE
REV N: 08.14.2023, 3RD CAR GARAGE TO BE ADDED TO THE
REV O: 08.14.2023, 3RD CAR GARAGE TO BE ADDED TO THE
REV P: 08.14.2023, 3RD CAR GARAGE TO BE ADDED TO THE
REV Q: 08.14.2023, 3RD CAR GARAGE TO BE ADDED TO THE
REV R: 08.14.2023, 3RD CAR GARAGE TO BE ADDED TO THE
REV S: 08.14.2023, 3RD CAR GARAGE TO BE ADDED TO THE
REV T: 08.14.2023, 3RD CAR GARAGE TO BE ADDED TO THE
REV U: 08.14.2023, 3RD CAR GARAGE TO BE ADDED TO THE
REV V: 08.14.2023, 3RD CAR GARAGE TO BE ADDED TO THE
REV W: 08.14.2023, 3RD CAR GARAGE TO BE ADDED TO THE
REV X: 08.14.2023, 3RD CAR GARAGE TO BE ADDED TO THE
REV Y: 08.14.2023, 3RD CAR GARAGE TO BE ADDED TO THE
REV Z: 08.14.2023, 3RD CAR GARAGE TO BE ADDED TO THE

J.S. THOMPSON
ENGINEERING, INC.
333 E. SIX FORKS RD, SUITE 180
RALEIGH, NC 27609
PHONE: (919) 789-9919
FAX: (919) 789-9921
N.C. LICENSE NO. C-1733

STANDARD ELECTRICAL & LIGHTING KEY	
WIRING CIRCUIT	WHIP FOR LIGHTING
Lv WIRING CIRCUIT LOW VOLTAGE	3" RECESSED INCANDESCENT CEILING LIGHT
LIGHTING CONTROL	4" RECESSED INCANDESCENT CEILING LIGHT
WALL SWITCH SINGLE POLE	4" RECESSED LED CEILING CAN LIGHT
THREE-WAY SWITCH	4" VAPOR PROOF LED RECESSED CAN LIGHT
FOUR-WAY SWITCH	JUNCTION BOX REINFORCED CEILING MOUNT
FAN SWITCH	CEILING JUNCTION BOX
DIMMER SWITCH	SURFACE MOUNTED LED CEILING LIGHT
THREE-WAY DIMMER SWITCH	PENDANT LIGHT
DIMMER SWITCH ON SYSTEM	CHANDELIER (REINFORCED CEILING MOUNT)
SINGLE POLE SWITCH ON SYSTEM	WALL MOUNTED INCANDESCENT LIGHT FIXTURE
PUSH BUTTON SWITCH (GARAGE DOOR)	DECORATIVE EXTERIOR SCENCE
MOTORIZED SHADE (INTERIOR)	LV ₀ AIMABLE RECESSED DOWN LIGHT LOW VOLTAGE
MOTORIZED SHUTTERS (EXTERIOR)	LV ₀ LED RECESSED DOWN LIGHT - PHOTO CELL
DOOR BELL	PUCK LIGHT
CHIMES	DOUBLE LAMP CEILING LIGHT (CLOSET)
DUPLEX OUTLET	TRIPLE LAMP CEILING LIGHT (CLOSET)
GROUND FAULT DUPLEX OUTLET ABOVE COUNTER	JAMB LIGHT FIXTURE
GROUND FAULT INTERRUPTER DUPLEX OUTLET	TRACK LIGHT FIXTURE
WEATHERPROOF GROUND FAULT DUPLEX OUTLET	FLUORESCENT FIXTURE-SURFACE MOUNT
HALF-SWITCHED DUPLEX OUTLET	CEILING FAN (Add light where indicated)
DEDICATED OUTLET	SINGLE FLOOD LIGHT
220 VOLT OUTLET	PHOTO CELL DOUBLE FLOOD LIGHT
FLOOR OUTLET	UC STRIP LIGHT
HALF SWITCHED FLOOR OUTLET	STRIP LIGHT ABOVE CABINET
TELEPHONE/DATA-FLOOR	TOE KICK STRIP LIGHT
CLOCK BOX-WALL	UNDER CABINET LIGHT
RECESSED TV COMBINATION BOX	PLUG MOLD
TV CONNECTION	COVE LIGHTING-LINEAR
TELEPHONE/DATA-WALL	TRANSFORMER
ELECTRICAL OUTLET / USB COMBO	DRIVER
DTV SHOWERING SYSTEM	DEMARICATION BOX
KEYPAD-SYSTEM CONTROL	ELECTRIC METER
THERMOSTAT	ELECTRIC PANEL
KEYPAD FOR ALARM	DISCONNECT SWITCH
HEAT DETECTOR	GAS METER
LIGHT & EXHAUST FAN	WATER METER
EXHAUST FAN	GAS VALVE
LANDSCAPE LIGHTING (POWER/SWITCH LEG)	AIR SWITCH
CARBON MONOXIDE/SMOKE DETECTOR COMBINATION UNIT	PIN LIGHT
SPEAKER (OPTIONAL)	LOW VOLTAGE PANEL
GARBAGE DISPOSAL	
ELECTRIC DOOR OPERATOR (GARAGE)	



UPPER FLOOR PLAN - ELECTRICAL
SCALE: 1/4" = 1'-0"

ELECTRICAL SYMBOLS LEGEND
SCALE: NTS

ASCOT
Land Development and Construction
(910) 688-7361 • www.ascotgrp.com

THE ARGYLE
ELECTRICAL - UPPER FLOOR PLAN

DATE: 2023-02-08
DRAWN BY: JST
ENGINEER: NS
CHECKED BY: NS
Q.C. BY: NS
SCALE: AS SHOWN
SHEET NUMBER:
E1.1

ELECTRICAL NOTES:

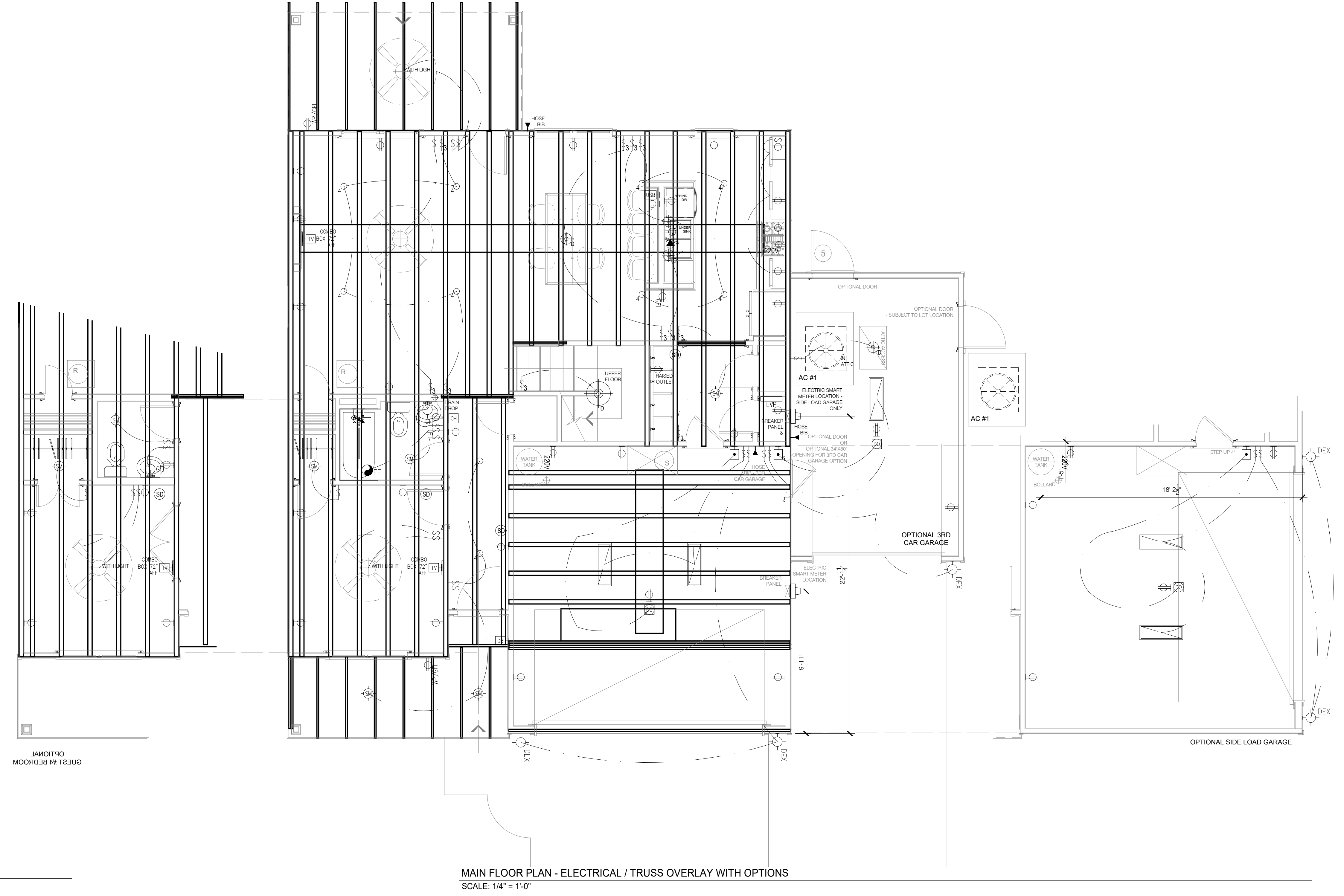
1. PROVIDE AND INSTALL CERTIFIED SMOKE DETECTORS AS REQUIRED BY NATIONAL FIRE PROTECTION ASSOCIATION (NFPA) AND MEETING THE REQUIREMENTS OF ALL GOVERNING CODES. ALL SMOKE DETECTORS SHALL NOT BE LOCATED WITHIN THREE FEET OF A BATHROOM OR AN A/C SUPPLY.
2. PROVIDE AND INSTALL GROUND FAULT CIRCUIT-INTERRUPTERS (GFI) AS REQUIRED BY NATIONAL ELECTRIC CODE (NEC) AND MEETING THE REQUIREMENTS OF ALL GOVERNING CODES.
3. HVAC CONTRACTOR TO VERIFY THERMOSTAT LOCATIONS.
4. ALL ELECTRICAL AND MECHANICAL EQUIPMENT (I.E. FURNACES, A/C UNITS, ELECTRICAL PANELS, AND WATER HEATERS) ARE SUBJECT TO RELOCATION PER FIELD CONDITIONS.
5. PROJECT WALK-THRU WITH SUPERINTENDENT AND ELECTRICAL CONTRACTOR TO BE SCHEDULED PRIOR TO ELECTRICAL ROUGH-IN.
6. REFER TO CABINET DRAWINGS AND LIGHTING DETAILS FOR POWER STUB-OUT LOCATIONS FOR BUILT-IN AND CABINET LIGHTING.
7. ALL ELECTRICAL PLANS AND LOCATIONS AS SHOWN ARE TO BE LAID OUT PER LOCAL AND STATE BUILDING CODES AND ANY RELEVANT INSPECTIONS.
8. ALL LIGHTING LOCATIONS SHALL BE REVIEWED AND COORDINATED WITH APPROVED FLOOR AND ROOF TRUSS LAYOUTS PRIOR TO INSTALLATION IN THE FIELD.

NOTE:
AC RETURN VENTS SHALL NOT BE PLACED WITHIN 10'
OF AN OPEN COMBUSTION CHAMBER, A DRAFT HOOD OF
ANOTHER APPLIANCE OR WITHIN 10' OF COOKING APPLIANCES.
CODE M.1602.2 / 601.5

REVISIONS:
REV A: 07.19.2023 3RD CAR GARAGE SIZE REDUCED
REV B: 09.11.2023 AC CHASES UPDATED TO FIX AC DESIGN ISSUES
REV C: 01.16.24 TUBS AND SHOWER FRAMING REVISED TO 60" - FRAMED KITCHEN ISLAND
REV D: 03.14.24 AC PADS AND DRAIN DRIP ADDED

J.S. THOMPSON
ENGINEERING, INC.
333 E. SIX FORKS RD., SUITE 180
RALEIGH, NC 27609
PHONE: (919) 789-9919
FAX: (919) 789-9921
N.C. LICENSE NO. C-1733

STANDARD ELECTRICAL & LIGHTING KEY	
WIRING CIRCUIT	WHIP FOR LIGHTING
Lv WIRING CIRCUIT LOW VOLTAGE	3" RECESSED INCANDESCENT CEILING LIGHT
LIGHTING CONTROL	4" RECESSED INCANDESCENT CEILING LIGHT
§ WALL SWITCH SINGLE POLE	4" RECESSED LED CEILING CAN LIGHT
§₃ THREE-WAY SWITCH	4" VAPOR PROOF LED RECESSED CAN LIGHT
§₄ FOUR-WAY SWITCH	JUNCTION BOX REINFORCED CEILING MOUNT
§₅ FAN SWITCH	CEILING JUNCTION BOX
§₆ DIMMER SWITCH	SURFACE MOUNTED LED CEILING LIGHT
§₇ THREE-WAY DIMMER SWITCH	PENDANT LIGHT
D DIMMER SWITCH ON SYSTEM	CHANDELIER (REINFORCED CEILING MOUNT)
S SINGLE POLE SWITCH ON SYSTEM	WALL MOUNTED INCANDESCENT LIGHT FIXTURE
H₃ PUSH BUTTON SWITCH (GARAGE DOOR)	DECORATIVE EXTERIOR SCENCE
H₄ MOTORIZED SHADE (INTERIOR)	AIMABLE RECESSED DOWN LIGHT LOW VOLTAGE
H₅ MOTORIZED SHUTTERS (EXTERIOR)	LED RECESSED DOWN LIGHT - PHOTO CELL
H₆ DOOR BELL	PUCK LIGHT
CH CHIMES	DOUBLE LAMP CEILING LIGHT (CLOSET)
DU DUPLEX OUTLET	TRIPLE LAMP CEILING LIGHT (CLOSET)
DU₃ GROUND FAULT DUPLEX OUTLET ABOVE COUNTER	JAMB LIGHT FIXTURE
DU₄ WEATHERPROOF GROUND FAULT DUPLEX OUTLET	TRACK LIGHT FIXTURE
DU₅ HALF-SWITCHED DUPLEX OUTLET	FLUORESCENT FIXTURE-SURFACE MOUNT
DU₆ DEDICATED OUTLET	CEILING FAN (Add light where indicated)
DU₇ 220 VOLT OUTLET	SINGLE FLOOD LIGHT
DU₈ FLOOR OUTLET	PHOTO CELL DOUBLE FLOOD LIGHT
DU₉ HALF-SWITCHED FLOOR OUTLET	UC STRIP LIGHT
DU₁₀ TELEPHONE/DATA-FLOOR	STRIP LIGHT ABOVE CABINET
DU₁₁ CLOCK BOX-WALL	TOE KICK STRIP LIGHT
DU₁₂ RECESSED TV COMBINATION BOX	UNDER CABINET LIGHT
DU₁₃ TV CONNECTION	PLUG MOLD
DU₁₄ TELEPHONE/DATA-WALL	COVE LIGHTING-LINEAR
DU₁₅ ELECTRICAL OUTLET / USB COMBO	TRANSFORMER
DU₁₆ DTV SHOWERING SYSTEM	DRIVER
DU₁₇ KEYPAD-SYSTEM CONTROL	DEMARICATION BOX
DU₁₈ THERMOSTAT	ELECTRIC METER
DU₁₉ KEYPAD FOR ALARM	ELECTRIC PANEL
DU₂₀ HEAT DETECTOR	DISCONNECT SWITCH
DU₂₁ LIGHT & EXHAUST FAN	GAS METER
DU₂₂ EXHAUST FAN	WATER METER
DU₂₃ LANDSCAPE LIGHTING (POWER/SWITCH LEG)	GAS VALVE
DU₂₄ CARBON MONOXIDE/SMOKE DETECTOR COMBINATION UNIT	AIR SWITCH
DU₂₅ SPEAKER (OPTIONAL)	PIN LIGHT
DU₂₆ GARBAGE DISPOSAL	LOW VOLTAGE PANEL
DU₂₇ ELECTRIC DOOR OPERATOR (GARAGE)	



MAIN FLOOR PLAN - ELECTRICAL / TRUSS OVERLAY WITH OPTIONS
SCALE: 1/4" = 1'-0"

ELECTRICAL SYMBOLS LEGEND
SCALE: NTS

ASCOT
Land Development and Construction
(910) 688-7361 • www.ascotgrp.com

THE ARGYLE
ELECTRICAL & MAIN FLOOR TRUSSES OVERLAY

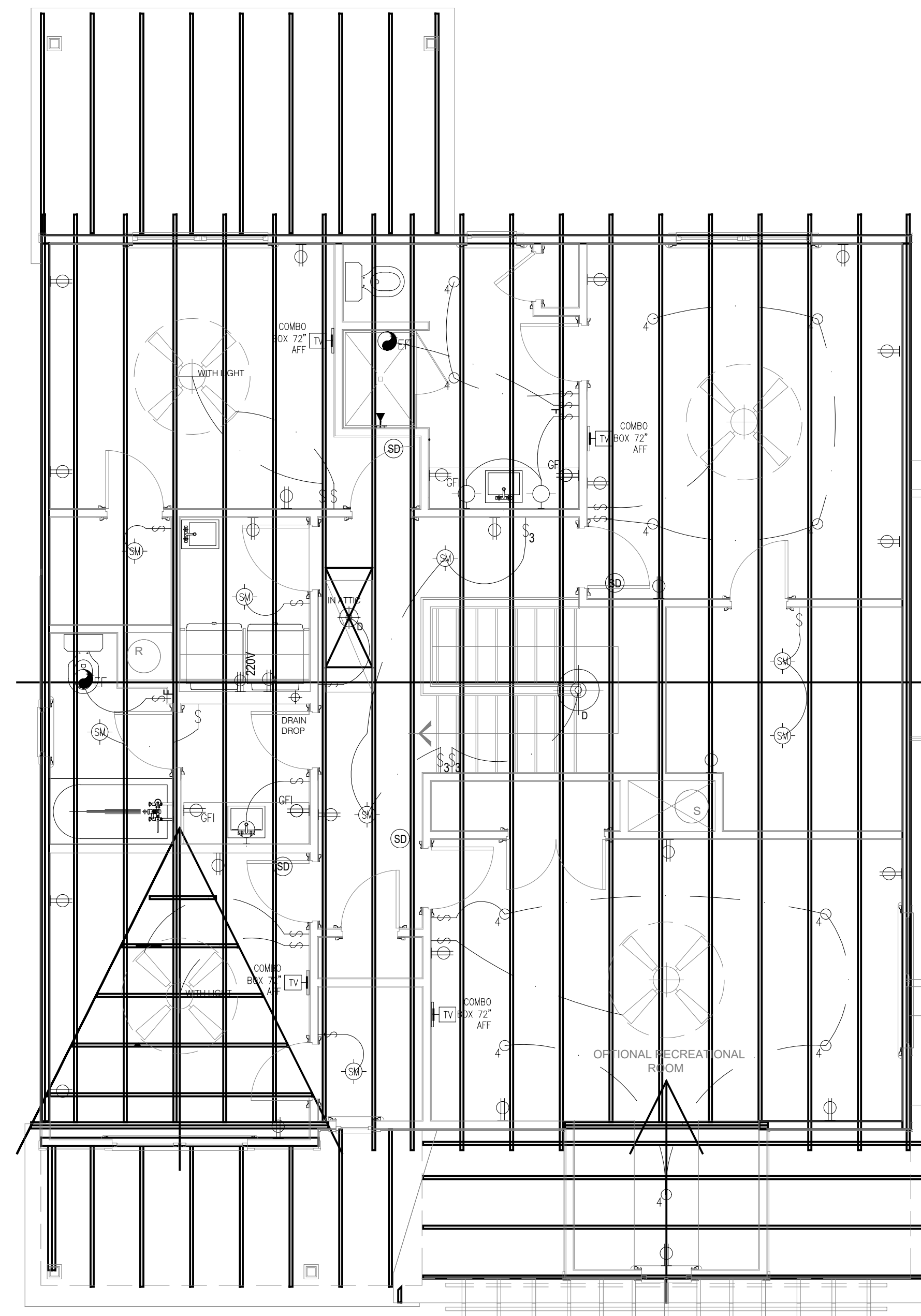
DATE: 2023-02-08
DRAWN BY: JST
ENGINEER: JST
CHECKED BY: NS
Q.C. BY: NS
SCALE: AS SHOWN
SHEET NUMBER#: **E1.2**

- ELECTRICAL NOTES:**
1. PROVIDE AND INSTALL CERTIFIED SMOKE DETECTORS AS REQUIRED BY NATIONAL FIRE PROTECTION ASSOCIATION (NFPA) AND MEETING THE REQUIREMENTS OF ALL GOVERNING CODES. ALL SMOKE DETECTORS SHALL NOT BE LOCATED WITHIN THREE FEET OF A BATHROOM OR AN A/C SUPPLY.
 2. PROVIDE AND INSTALL GROUND FAULT CIRCUIT-INTERRUPTERS (GFI) AS REQUIRED BY NATIONAL ELECTRIC CODE (NEC) AND MEETING THE REQUIREMENTS OF ALL GOVERNING CODES.
 3. HVAC CONTRACTOR TO VERIFY THERMOSTAT LOCATIONS.
 4. ALL ELECTRICAL AND MECHANICAL EQUIPMENT (I.E. FURNACES, A/C UNITS, ELECTRICAL PANELS, AND WATER HEATERS) ARE SUBJECT TO RELOCATION PER FIELD CONDITIONS.
 5. PROJECT WALK-THRU WITH SUPERINTENDENT AND ELECTRICAL CONTRACTOR TO BE SCHEDULED PRIOR TO ELECTRICAL ROUGH-IN.
 6. REFER TO CABINET DRAWINGS AND LIGHTING DETAILS FOR POWER STUB-OUT LOCATIONS FOR BUILT-IN AND CABINET LIGHTING.
 7. ALL ELECTRICAL PLANS AND LOCATIONS AS SHOWN ARE TO BE LAID OUT PER LOCAL AND STATE BUILDING CODES AND ANY RELEVANT INSPECTIONS.
 8. ALL LIGHTING LOCATIONS SHALL BE REVIEWED AND COORDINATED WITH APPROVED FLOOR AND ROOF TRUSS LAYOUTS PRIOR TO INSTALLATION IN THE FIELD.

NOTE:
AC RETURN VENTS SHALL NOT BE PLACED WITHIN 10'
OF AN OPEN COMBUSTION CHAMBER, A DRAFT HOOD OF
ANOTHER APPLIANCE OR WITHIN 10' OF COOKING APPLIANCES.
CODE M.1602.2 / 601.5

STANDARD ELECTRICAL & LIGHTING KEY			
	WIRING CIRCUIT		WHIP FOR LIGHTING
	WIRING CIRCUIT LOW VOLTAGE		3" RECESSED INCANDESCENT CEILING LIGHT
	LIGHTING CONTROL		4" RECESSED INCANDESCENT CEILING LIGHT
	WALL SWITCH SINGLE POLE		4" RECESSED LED CEILING CAN LIGHT
	THREE-WAY SWITCH		4" VAPOR PROOF LED RECESSED CAN LIGHT
	FOUR-WAY SWITCH		JUNCTION BOX REINFORCED CEILING MOUNT
	FAN SWITCH		CEILING JUNCTION BOX
	DIMMER SWITCH		SURFACE MOUNTED LED CEILING LIGHT
	THREE-WAY DIMMER SWITCH		PENDANT LIGHT
	DIMMER SWITCH ON SYSTEM		CHANDELIER (REINFORCED CEILING MOUNT)
	SINGLE POLE SWITCH ON SYSTEM		WALL MOUNTED INCANDESCENT LIGHT FIXTURE
	PUSH BUTTON SWITCH (GARAGE DOOR)		DECORATIVE EXTERIOR SCONCE
	MOTORIZED SHADE (INTERIOR)		AIMABLE RECESSED DOWN LIGHT LOW VOLTAGE
	MOTORIZED SHUTTERS (EXTERIOR)		LED RECESSED DOWN LIGHT - PHOTO CELL
	DOOR BELL		PUCK LIGHT
	CHIMES		DOUBLE LAMP CEILING LIGHT (CLOSET)
	DUPLEX OUTLET		TRIPLE LAMP CEILING LIGHT (CLOSET)
	GROUND FAULT DUPLEX OUTLET ABOVE COUNTER		JAMB LIGHT FIXTURE
	GROUND FAULT INTERRUPTER DUPLEX OUTLET		TRACK LIGHT FIXTURE
	WEATHERPROOF GROUND FAULT DUPLEX OUTLET		FLUORESCENT FIXTURE-SURFACE MOUNT
	HALF-SWITCHED DUPLEX OUTLET		CEILING FAN (Add light where indicated)
	DEDICATED OUTLET		SINGLE FLOOD LIGHT
	220 VOLT OUTLET		PHOTO CELL DOUBLE FLOOD LIGHT
	HALF SWITCHED FLOOR OUTLET		UC STRIP LIGHT
	TELEPHONE/DATA-FLOOR		STRIP LIGHT ABOVE CABINET
	CLOCK BOX-WALL		TOE KICK STRIP LIGHT
	RECESSED TV COMBINATION BOX		UNDER CABINET LIGHT
	TV CONNECTION		PLUG MOLD
	TELEPHONE/DATA-WALL		COVE LIGHTING-LINEAR
	ELECTRICAL OUTLET / USB COMBO		TRANSFORMER
	DTV SHOWERING SYSTEM		DRIVER
	KEYPAD-SYSTEM CONTROL		DEMARICATION BOX
	THERMOSTAT		ELECTRIC METER
	KEYPAD FOR ALARM		ELECTRIC PANEL
	HEAT DETECTOR		DISCONNECT SWITCH
	LIGHT & EXHAUST FAN		GAS METER
	EXHAUST FAN		WATER METER
	LANDSCAPE LIGHTING (POWER/SWITCH LEG)		GAS VALVE
	CARBON MONOXIDE/SMOKE DETECTOR COMBINATION UNIT		AIR SWITCH
	SPEAKER (OPTIONAL)		PIN LIGHT
	GARBAGE DISPOSAL		LOW VOLTAGE PANEL
	ELECTRIC DOOR OPERATOR (GARAGE)		

ELECTRICAL SYMBOLS LEGEND
SCALE: NTS



UPPER FLOOR PLAN - ELECTRICAL / TRUSS OVERLAY
SCALE: 1/4" = 1'-0"

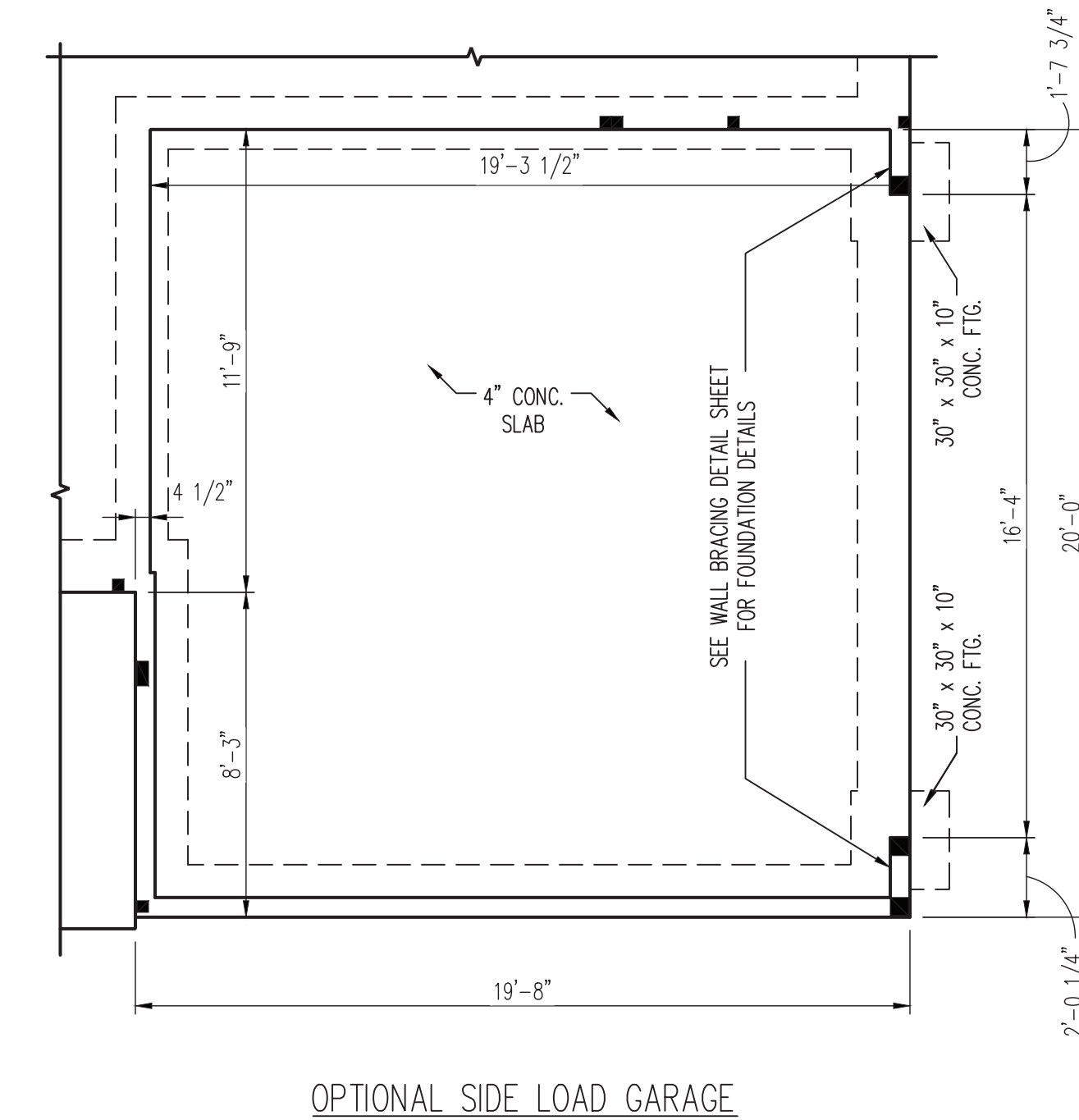
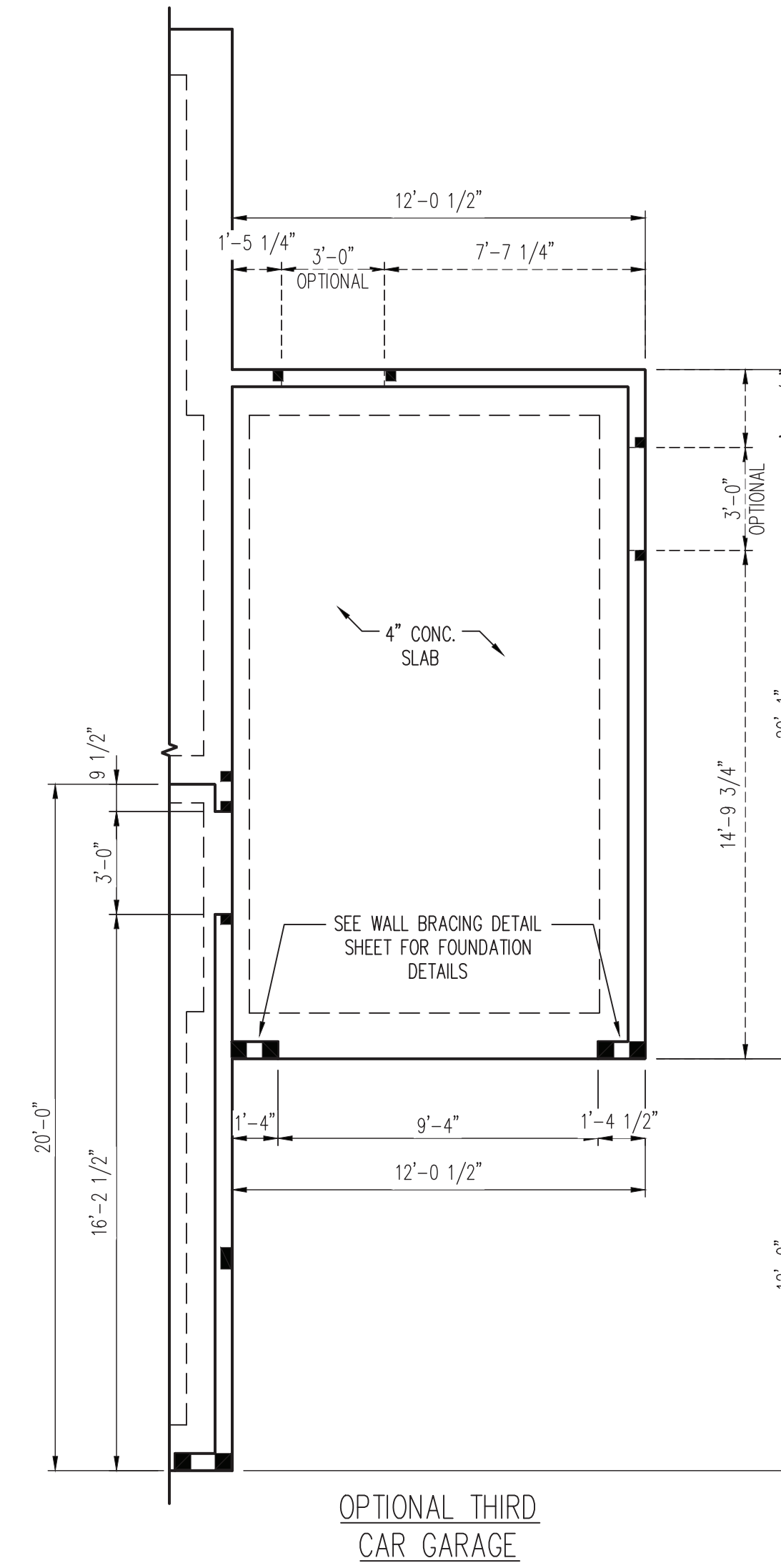
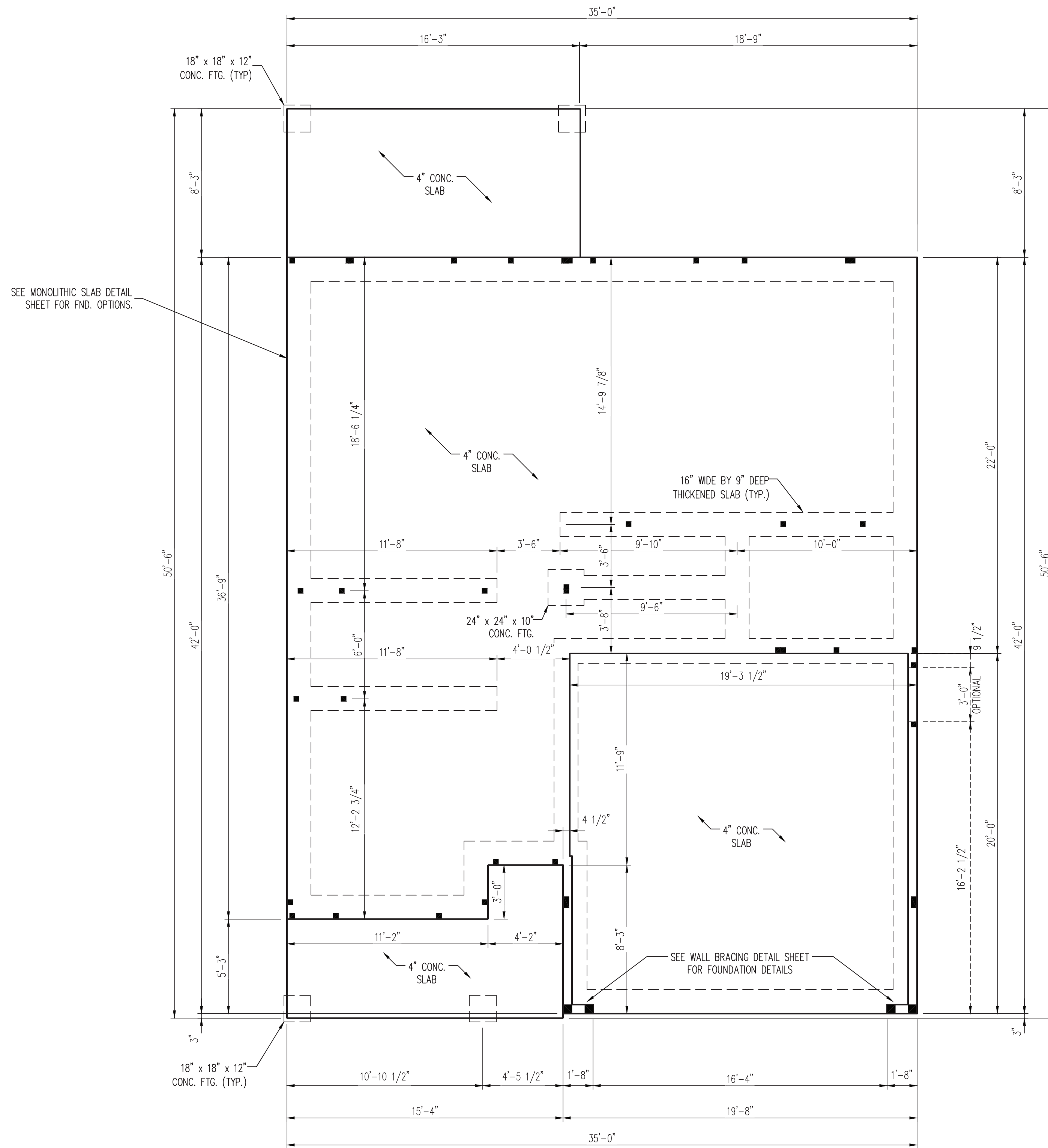
REVISIONS:
REV A: 07.19.2023 3RD CAR GARAGE SIZE REDUCED
REV B: 09.11.2023 AC CHASES UPDATED TO FIX AC DESIGN ISSUES
REV C: 01.16.24 TUBS AND SHOWER FRAMING REVISED TO 60" FRAMED KITCHEN ISLAND
REV D: 03.14.24 AC PADS AND DRAIN DROP ADDED

J.S. THOMPSON
ENGINEERING, INC.
333 E. SIX FORKS RD., SUITE 180
RALEIGH, NC 27609
PHONE: (919) 789-9919
FAX: (919) 789-9921
N.C. LICENSE NO. C-1733

ASCOT
Land Development and Construction
(910) 688-7361 • www.ascotgrp.com

THE ARGYLE
ELECTRICAL & TRUSSES UPPER FLOOR OVERLAY

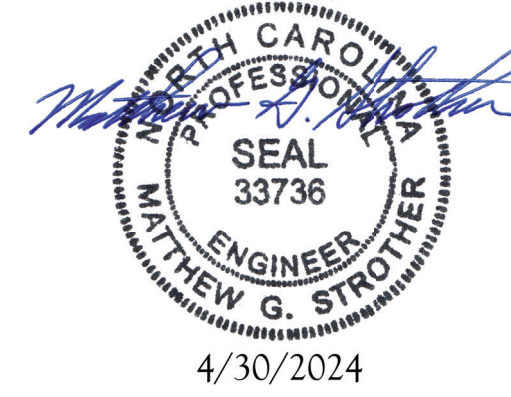
DATE: 2023-02-08
DRAWN BY: JST
ENGINEER: NS
CHECKED BY: NS
Q.C. BY: NS
SCALE: AS SHOWN
SHEET NUMBER:
E1.3



- 150 MPH ULTIMATE DESIGN WIND SPEED
NOTES FOR LESS THAN
30' MEAN ROOF HEIGHT.**
- ENGINEER'S SEAL APPLIES ONLY TO STRUCTURAL COMPONENTS. ENGINEER'S SEAL DOES NOT CERTIFY DIMENSIONAL ACCURACY OR ARCHITECTURAL LAYOUT INCLUDING ROOF SYSTEM.
 - STRUCTURAL DESIGN PER NORTH CAROLINA RESIDENTIAL CODE, 2018 EDITION WITH SPECIAL CONSIDERATION TO CHAPTER 45 ("HIGH WIND ZONES" FOR 150 MPH WINDS).
 - BUILDER IS TO PROVIDE FRAMING CONNECTIONS AS REQUIRED BY CHAPTER 45 ("HIGH WIND ZONES" FOR 150 MPH WINDS) OF THE NORTH CAROLINA RESIDENTIAL CODE, 2018 EDITION.
 - FOUNDATION ANCHORAGE TO COMPLY WITH SECTION 4504 OF THE NORTH CAROLINA RESIDENTIAL CODE, 2018 EDITION.
 - MEAN ROOF HEIGHT IS LESS THAN 30 FEET.
 - WALL CLADDING DESIGNED FOR +24.3 PSF AND -32 PSF (+/- INDICATE POSITIVE / NEGATIVE PRESSURE (TYP)).
 - ROOF CLADDING DESIGNED FOR +22.2 PSF AND -28 PSF FOR ROOF PITCHES 7/12 TO 12/12 AND +14 PSF AND -57 PSF FOR ROOF PITCHED 2.25/12 TO 7/12.
 - 7/16" OSB SHEATHING IS REQUIRED ON ALL EXTERIOR WALLS.
 - WALLS TO BE BRACED IN ACCORDANCE WITH SECTION R602.10 OF THE NORTH CAROLINA RESIDENTIAL CODE, 2018 EDITION AND AS NOTED ON PLANS.
 - ENERGY EFFICIENCY COMPLIANCE AND INSULATION VALUES OF THE BUILDING TO BE IN ACCORDANCE WITH CHAPTER 11 OF THE NRC, 2018 EDITION.

- 120 MPH ULTIMATE DESIGN WIND SPEED
NOTES FOR LESS THAN
30' MEAN ROOF HEIGHT.**
- ENGINEER'S SEAL APPLIES ONLY TO STRUCTURAL COMPONENTS. ENGINEER'S SEAL DOES NOT CERTIFY DIMENSIONAL ACCURACY OR ARCHITECTURAL LAYOUT INCLUDING ROOF SYSTEM.
 - STRUCTURAL DESIGN PER NORTH CAROLINA RESIDENTIAL CODE, 2018 EDITION.
 - INSTALL 1/2" ANCHOR BOLTS 6'-0" O.C. AND WITHIN 1'-0" FROM END OF EACH CORNER. ANCHOR BOLTS MUST EXTEND A MINIMUM OF 7" INTO MASONRY OR CONCRETE. LOCATE BOLT WITHIN MIDDLE THIRD OF PLATE WIDTH.
 - MEAN ROOF HEIGHT IS LESS THAN 30 FEET.
 - EXTERIOR WALLS DESIGNED FOR 120 MPH WINDS.
 - WALL CLADDING DESIGNED FOR +15.5 PSF AND -20 PSF (+/- INDICATE POSITIVE / NEGATIVE PRESSURE (TYP)).
 - ROOF CLADDING DESIGNED FOR +14.2 PSF AND -18 PSF FOR ROOF PITCHES 7/12 TO 12/12 AND +10 PSF AND -36 PSF FOR ROOF PITCHED 2.25/12 TO 7/12.
 - INSTALL 7/16" OSB SHEATHING ON ALL EXTERIOR WALLS OF ALL STORES IN ACCORDANCE WITH SECTION R602.10.3 OF THE NRC, 2018 EDITION. SEE THE WALL BRACING NOTES AND DETAILS SHEET FOR MORE INFORMATION.
 - ENERGY EFFICIENCY COMPLIANCE AND INSULATION VALUES OF THE BUILDING TO BE IN ACCORDANCE WITH CHAPTER 11 OF THE NRC, 2018 EDITION.
 - REFER TO NOTES AND DETAIL SHEETS FOR ADDITIONAL STRUCTURAL INFORMATION.

LEGEND	
CONT	CONTINUOUS
XJ	EXTRA JOIST
DJ	DOUBLE JOIST
TJ	TRIPLE JOIST
EA	EACH
FDN	FOUNDATION
FTG	FOOTING
OC	ON CENTER
SPF	SPRUCE PINE FIR
SYP	SOUTHERN YELLOW PINE
TRTD	PRESSURE TREATED
TYP	TYPICAL
UNO	UNLESS NOTED OTHERWISE



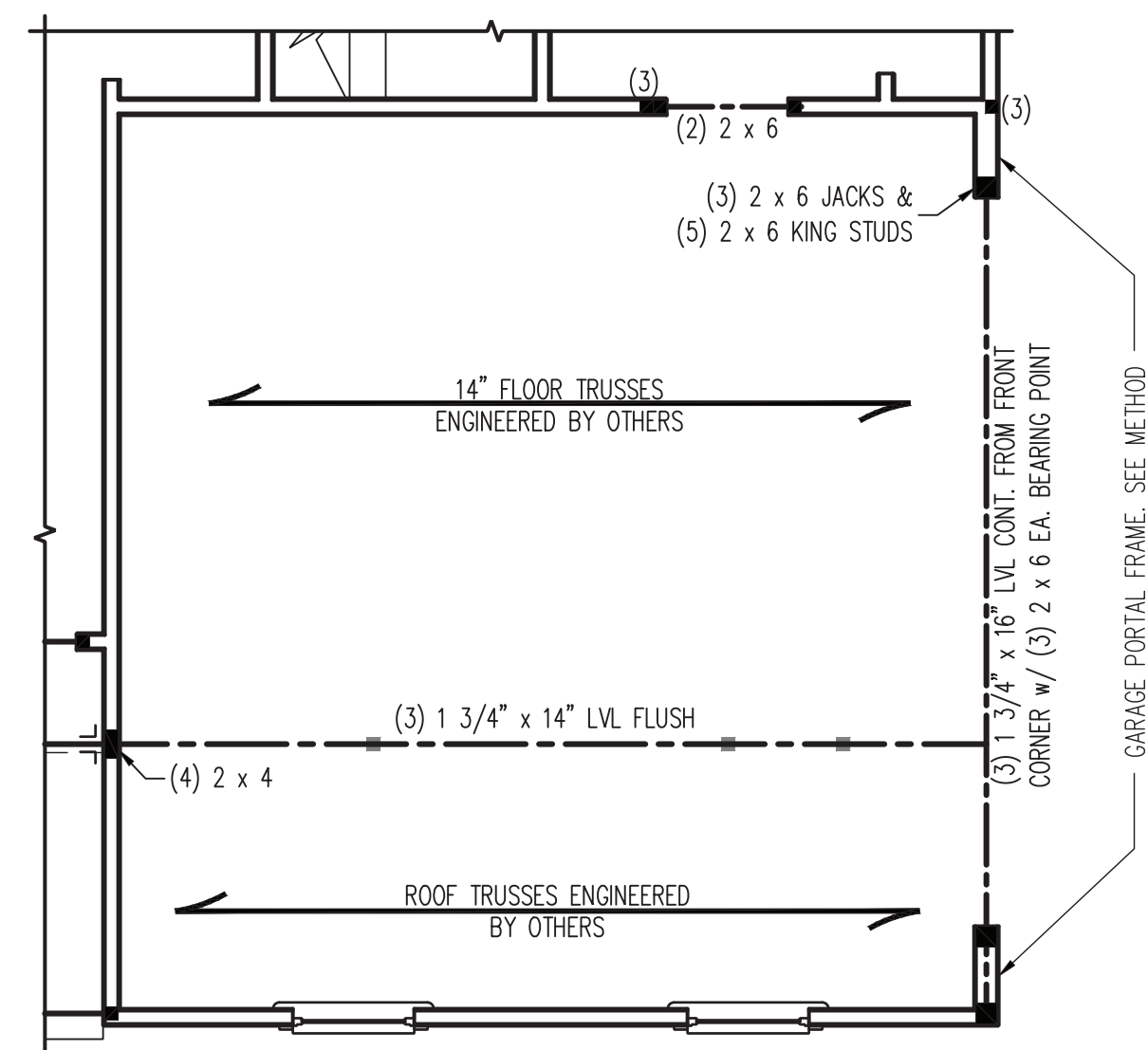
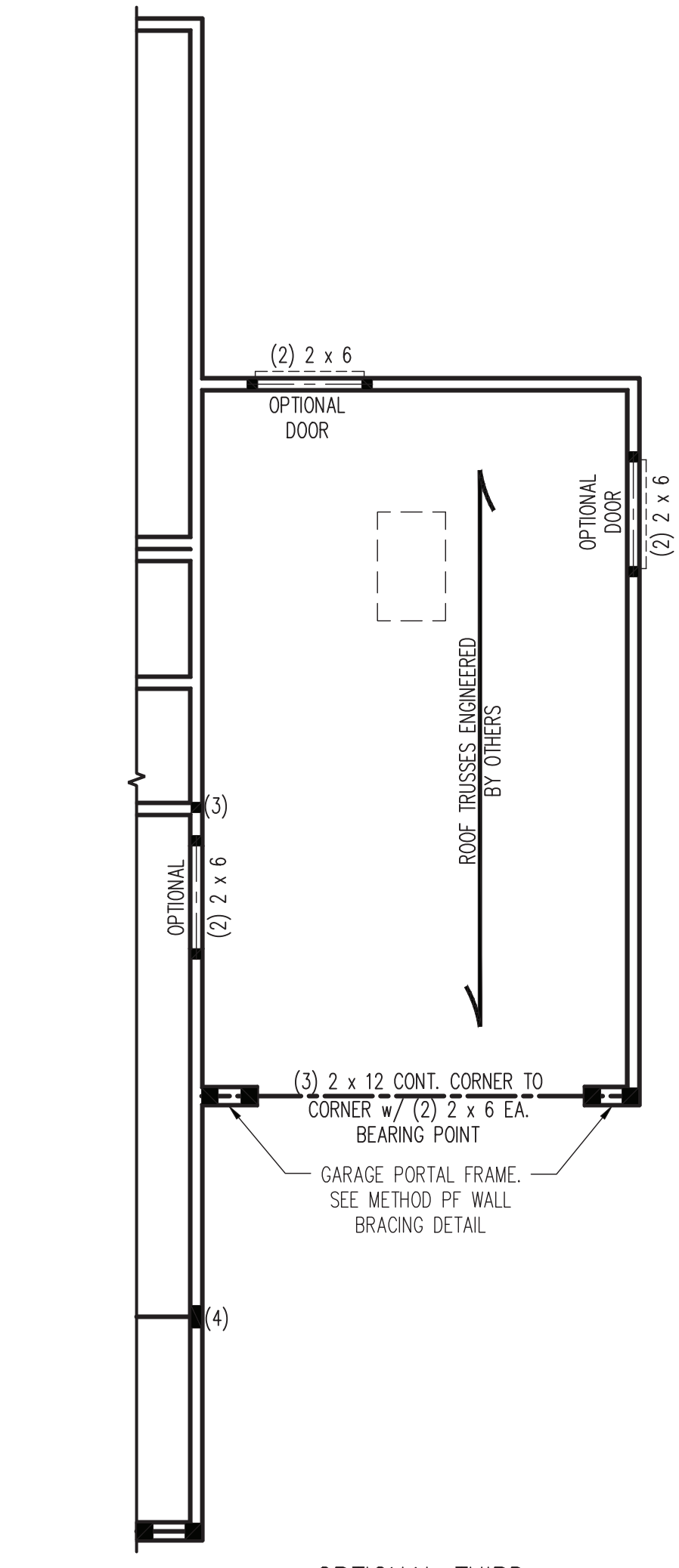
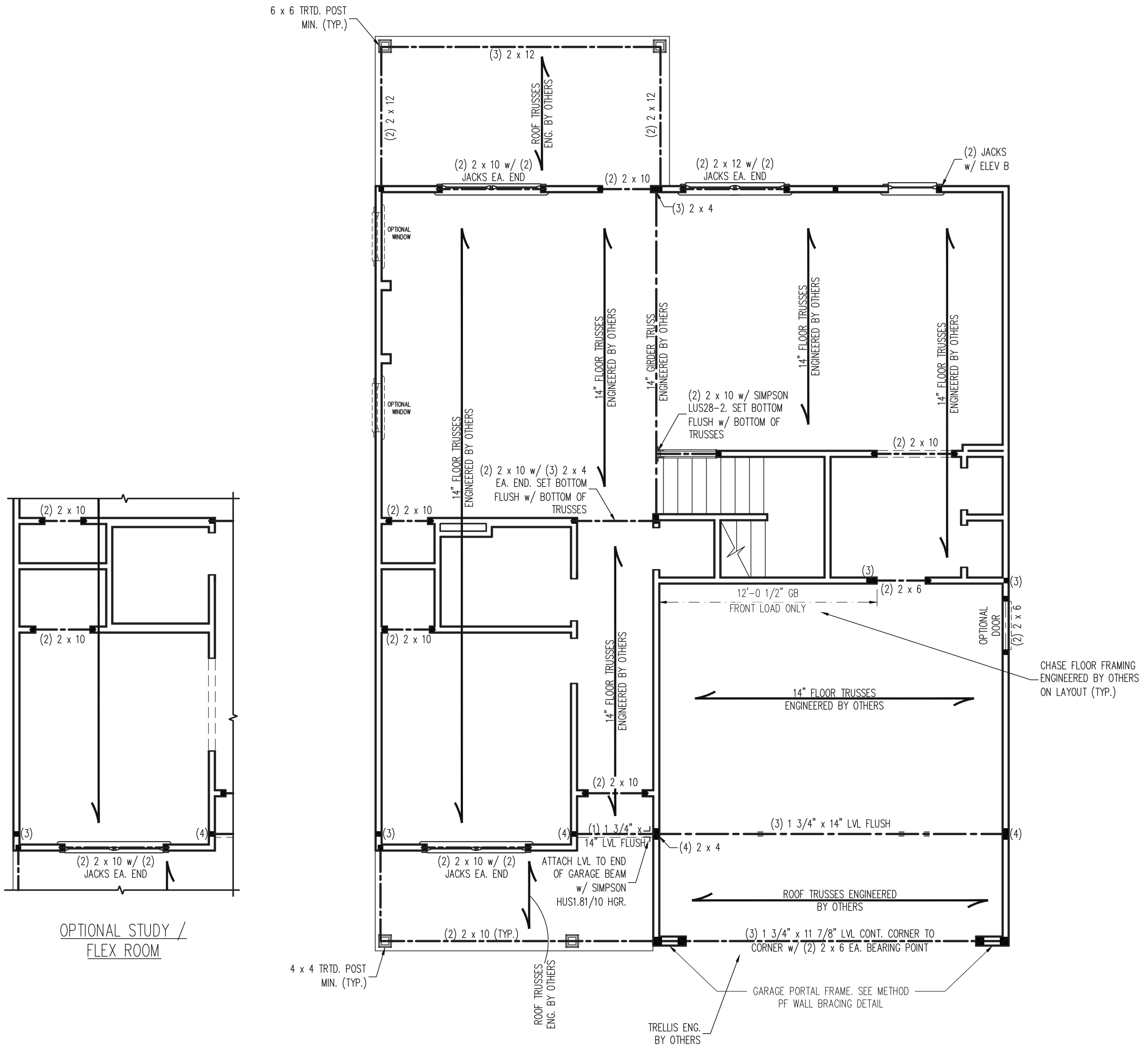
4/30/2024

**J.S. THOMPSON
ENGINEERING, INC**
333 EAST SIX FORKS ROAD, SUITE 180 RALEIGH, NC 27609
PHONE: (919) 789-9919 FAX: (919) 789-9921
N.C. LICENSE NO.: C-1733

**ARGYLE 35'
ASCOT CORPORATION, LLC**

DATE: APRIL 30, 2024
SCALE: 1/4" = 1'-0"
DRAWN BY: ASCOT CORP.
ENGINEERED BY: WFB

**S-1a
MONO SLAB
FOUNDATION PLAN**



BRACED WALL DESIGN NOTES:

- BRACED WALL DESIGN PER SECTION R602.10.5 "WALL BRACING BY ENGINEERED DESIGN" OF THE NCR 2018 EDITION USING BRACING MATERIALS AND METHODS LISTED IN TABLE R602.10.1 ALONG WITH ALTERNATIVE MATERIALS AND METHODS THAT COMPLY WITH ACCEPTED ENGINEERING PRACTICE. BRACED WALL DESIGN IS NOT PRESCRIPTIVE.
- SHEATH ALL EXTERIOR WALLS w/ 7/16" OSB TO PROVIDE CS-WSP WALL BRACING THAT WILL BRACE THE STRUCTURE FOR ALL LATERAL LOADS AS REQUIRED BY THE NCR 2018 EDITION.
- CS-WSP REFERS TO "CONTINUOUSLY SHEATHED WOOD STRUCTURAL PANELS." CONTRACTOR IS TO INSTALL 7/16" OSB ON ALL EXTERIOR WALLS ATTACHED w/ 8d NAILS SPACED 6" O.C. ALONG PANEL EDGES AND 12" O.C. IN THE FIELD.
- GB REFERS TO "GYPSUM BOARD." CONTRACTOR IS TO INSTALL 1/2" (MIN.) GYPSUM BOARD ON BOTH SIDES OF WALL WHERE NOTED ON THE PLANS ATTACHED WITH 1 1/4" LONG #6 SCREWS OR 1 5/8" LONG 5d COOLER NAILS SPACED 7" O.C. ALONG PANEL EDGES AND IN THE FIELD.
- BRACED WALL DESIGN APPLIED IN WIND ZONES UP TO 130 MPH. FOR HIGH WIND ZONES, BRACED WALLS ARE TO BE CONSTRUCTED IN ACCORDANCE WITH CHAPTER 45 OF THE NCR 2018 EDITION.
- SEE NOTES AND DETAIL SHEETS FOR ADDITIONAL BRACED WALL INFORMATION.

STRUCTURAL NOTES:

- ALL FRAMING LUMBER TO BE SPF #2 (UNO). ALL TREATED LUMBER TO BE SYP #2 (UNO).
- ALL LOAD BEARING HEADERS TO BE (2) 2 x 6 (UNO).
- INSTALL 2 x 4 @ 16" O.C. BLOCKING BETWEEN ADJACENT TRUSSES UNDER WALLS PARALLEL TO FLOOR TRUSSES WHERE WALL LENGTH EXCEEDS 1/3 OF TRUSS SPAN (SEE DETAIL THIS SHEET). TRUSS DESIGNER TO DESIGN ADJACENT TRUSSES FOR ADDITIONAL LOADING FROM WALLS.
- WINDOW AND DOOR HEADERS TO BE SUPPORTED w/ (1) JACK STUD AND (1) KING STUD EA. END (UNO). SEE TABLE R602.7.5 FOR ADDITIONAL KING STUD REQUIREMENTS.
- SQUARES DENOTE POINT LOADS WHICH REQUIRE SOLID BLOCKING TO GIRDER OR FOUNDATION. ALL SQUARES TO BE (2) STUDS (UNO).
- FOR HIGH WIND ZONES, ALL EXTERIOR WALLS TO BE SHEATHED WITH 7/16" OSB SHEATHING WITH JOINTS BLOCKED AND SECURED WITH 8d NAILS AT 3" O.C. ALONG EDGES AND 6" O.C. IN THE FIELD.
- FOR HIGH WIND ZONES, SECURE ALL EXTERIOR WALL SHEATHING PANELS TO DOUBLE TOP PLATES, BANDS, JOISTS, AND GIRDERS WITH (2) ROWS OF 8d NAILS STAGGERED AT 3" O.C. PANELS SHALL EXTEND 12" BEYOND CONSTRUCTION JOINTS AND SHALL OVERLAP GIRDERS AND DOUBLE SILL PLATES THEIR FULL DEPTH.
- ALL 4 x 4 POSTS SHALL BE ANCHORED TO SLABS w/ SIMPSON ABU44 POST BASES (OR EQUAL) AND 6 x 6 POSTS w/ ABU66 POST BASES (OR EQUAL) (UNO). ALL 4 x 4 AND 6 x 6 POSTS TO BE INSTALLED WITH 700 LB CAPACITY UPLIFT CONNECTORS AT TOP (UNO).
- FOR FIBERGLASS, ALUMINUM, OR COLUMN ENG. BY OTHERS, SECURE TO SLAB w/ (2) METAL ANGLES USING 2" CONC. SCREWS. FASTEN ANGLES TO COLUMNS w/ 1/4" THROUGH BOLTS w/ NUTS AND WASHERS. LOCATE ANGLES ON OPPOSITE SIDES OF COLUMN. THROUGH BOLTS MUST BE INSTALLED PRIOR TO SETTING COLUMN.
- REFER TO NOTES AND DETAIL SHEETS FOR ADDITIONAL STRUCTURAL INFORMATION.

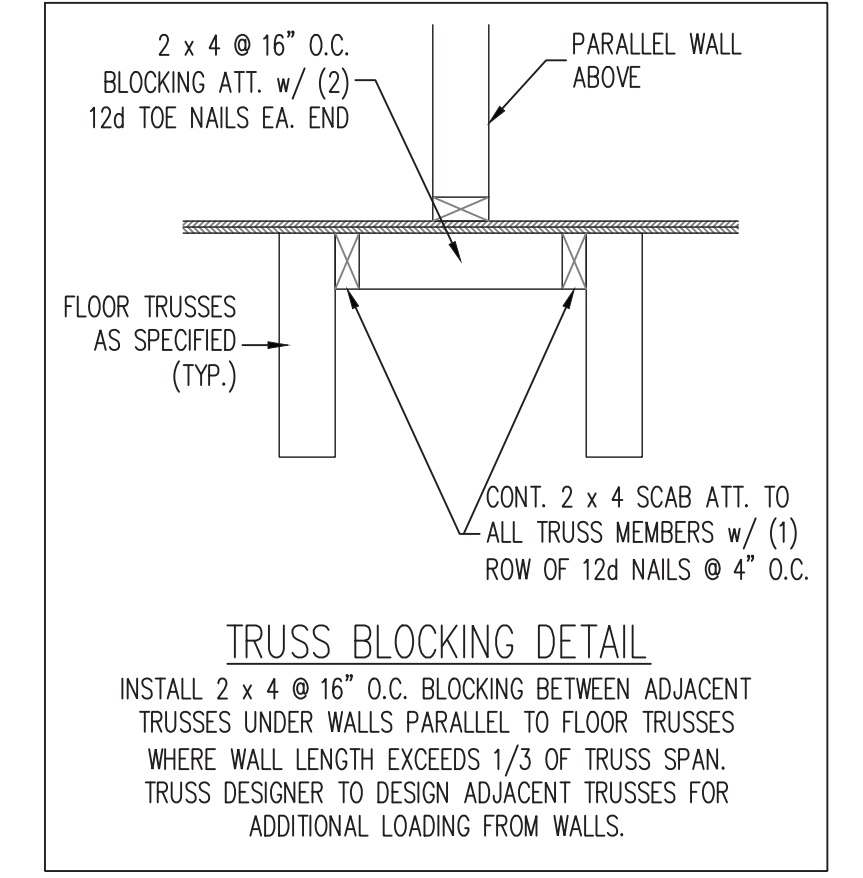


TABLE R602.7.5
MINIMUM NUMBER OF FULL HEIGHT KING STUDS AT EACH END OF HEADERS IN EXTERIOR WALLS

HEADER SPAN (FEET)	MINIMUM NUMBER OF FULL HEIGHT STUDS (KINGS)
UP TO 3'	1
> 3' TO 6'	2
> 6' TO 9'	3
> 9' TO 12'	4
> 12' TO 15'	5

LEGEND

CONT	CONTINUOUS
XJ	EXTRA JOIST
DJ	DOUBLE JOIST
TJ	TRIPLE JOIST
EA	EACH
()	NUMBER OF STUDS
DSP	DOUBLE STUD POCKET
TSP	TRIPLE STUD POCKET
OC	ON CENTER
SPF	SPRUCE PINE FIR
SYP	SOUTHERN YELLOW PINE
TRTD	PRESSURE TREATED
TYP	TYPICAL
UNO	UNLESS NOTED OTHERWISE



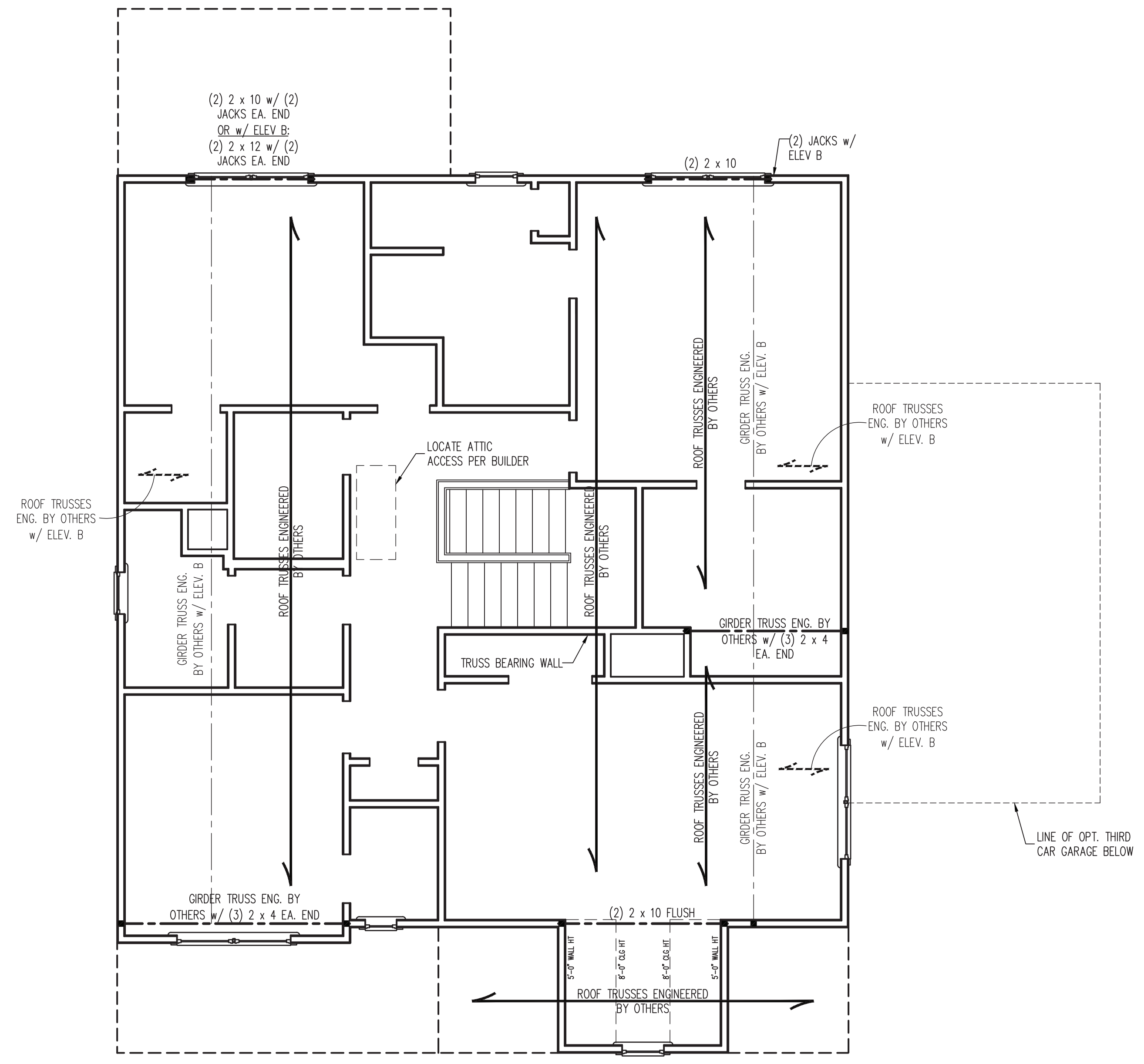
4/30/2024

J.S. THOMPSON ENGINEERING, INC.
333 EAST SIX FORKS ROAD, SUITE 180 RALEIGH, NC 27609
PHONE: (919) 789-9919 FAX: (919) 789-9921
N.C. LICENSE NO.: C-1733

ARGYLE 35
ASCOT CORPORATION, LLC

DATE: APRIL 30, 2024
SCALE: 1/4" = 1'-0"
DRAWN BY: ASCOT CORP.
ENGINEERED BY: WFB

S-2
SECOND FLOOR FRAMING PLAN



BRACED WALL DESIGN NOTES:

- BRACED WALL DESIGN PER SECTION R602.10.5 "WALL BRACING BY ENGINEERED DESIGN" OF THE NCR 2018 EDITION USING BRACING MATERIALS AND METHODS LISTED IN TABLE R602.10.1 ALONG WITH ALTERNATIVE MATERIALS AND METHODS THAT COMPLY WITH ACCEPTED ENGINEERING PRACTICE. BRACED WALL DESIGN IS NOT PRESCRIPTIVE.
- SHEATH ALL EXTERIOR WALLS w/ 7/16" OSB TO PROVIDE CS-WSP WALL BRACING THAT WILL BRACE THE STRUCTURE FOR ALL LATERAL LOADS AS REQUIRED BY THE NCR 2018 EDITION.
- CS-WSP REFERS TO "CONTINUOUSLY SHEATHED WOOD STRUCTURAL PANELS." CONTRACTOR IS TO INSTALL 7/16" OSB ON ALL EXTERIOR WALLS ATTACHED w/ 8d NAILS SPACED 6" O.C. ALONG PANEL EDGES AND 12" O.C. IN THE FIELD.
- GB REFERS TO "GYPSUM BOARD." CONTRACTOR IS TO INSTALL 1/2" (MIN.) GYPSUM BOARD ON BOTH SIDES OF WALL WHERE NOTED ON THE PLANS ATTACHED WITH 1 1/4" LONG #6 SCREWS OR 1 5/8" LONG 5d COOLER NAILS SPACED 7" O.C. ALONG PANEL EDGES AND IN THE FIELD.
- BRACED WALL DESIGN APPLIED IN WIND ZONES UP TO 130 MPH. FOR HIGH WIND ZONES, BRACED WALLS ARE TO BE CONSTRUCTED IN ACCORDANCE WITH CHAPTER 45 OF THE NCR 2018 EDITION.
- SEE NOTES AND DETAIL SHEETS FOR ADDITIONAL BRACED WALL INFORMATION.

STRUCTURAL NOTES:

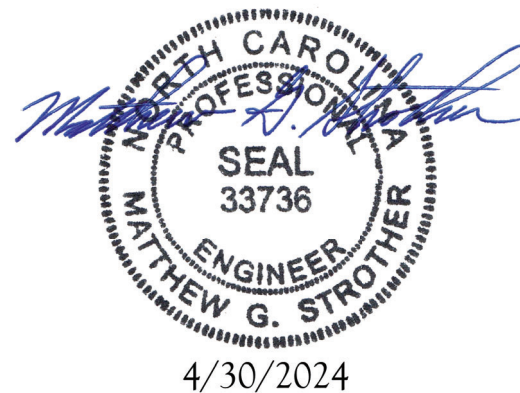
- ALL FRAMING LUMBER TO BE SYP #2 (UNO). ALL TREATED LUMBER TO BE SYP #2 (UNO.)
- ALL LOAD BEARING HEADERS TO BE (2) 2 x 6 (UNO.)
- WINDOW AND DOOR HEADERS TO BE SUPPORTED w/ (1) JACK STUD AND (1) KING STUD EA. END (UNO.). SEE TABLE R602.7.5 FOR ADDITIONAL KING STUD REQUIREMENTS.
- SQUARES DENOTE POINT LOADS WHICH REQUIRE SOLID BLOCKING TO GIRDER OR FOUNDATION. ALL SQUARES TO BE (2) STUDS (UNO.)
- FOR HIGH WIND ZONES, ALL EXTERIOR WALLS TO BE SHEATHED WITH 7/16" OSB SHEATHING WITH JOINTS BLOCKED AND SECURED WITH 8d NAILS AT 3" O.C. ALONG EDGES AND 6" O.C. IN THE FIELD.
- FOR HIGH WIND ZONES, SECURE ALL EXTERIOR WALL SHEATHING PANELS TO DOUBLE TOP PLATES, BANDS, JOISTS, AND GIRDERS WITH (2) ROWS OF 8d NAILS STAGGERED AT 3" O.C. PANELS SHALL EXTEND 12" BEYOND CONSTRUCTION JOINTS AND SHALL OVERLAP GIRDERS AND DOUBLE SILL PLATES THEIR FULL DEPTH.
- REFER TO NOTES AND DETAIL SHEETS FOR ADDITIONAL STRUCTURAL INFORMATION.

TABLE R602.7.5
MINIMUM NUMBER OF FULL HEIGHT KING STUDS AT EACH END OF HEADERS IN EXTERIOR WALLS

HEADER SPAN (FEET)	MINIMUM NUMBER OF FULL HEIGHT STUDS (KINGS)
UP TO 3'	1
> 3' TO 6'	2
> 6' TO 9'	3
> 9' TO 12'	4
> 12' TO 15'	5

LEGEND

CONT	CONTINUOUS
XT	EXTRA TRUSS
TS	TRUSS SUPPORT
EA	EACH
()	NUMBER OF STUDS
DSP	DOUBLE STUD POCKET
TSP	TRIPLE STUD POCKET
OC	ON CENTER
SPF	SPRUCE PINE FIR
SYP	SOUTHERN YELLOW PINE
TRTD	PRESSURE TREATED
TYP	TYPICAL
UNO	UNLESS NOTED OTHERWISE

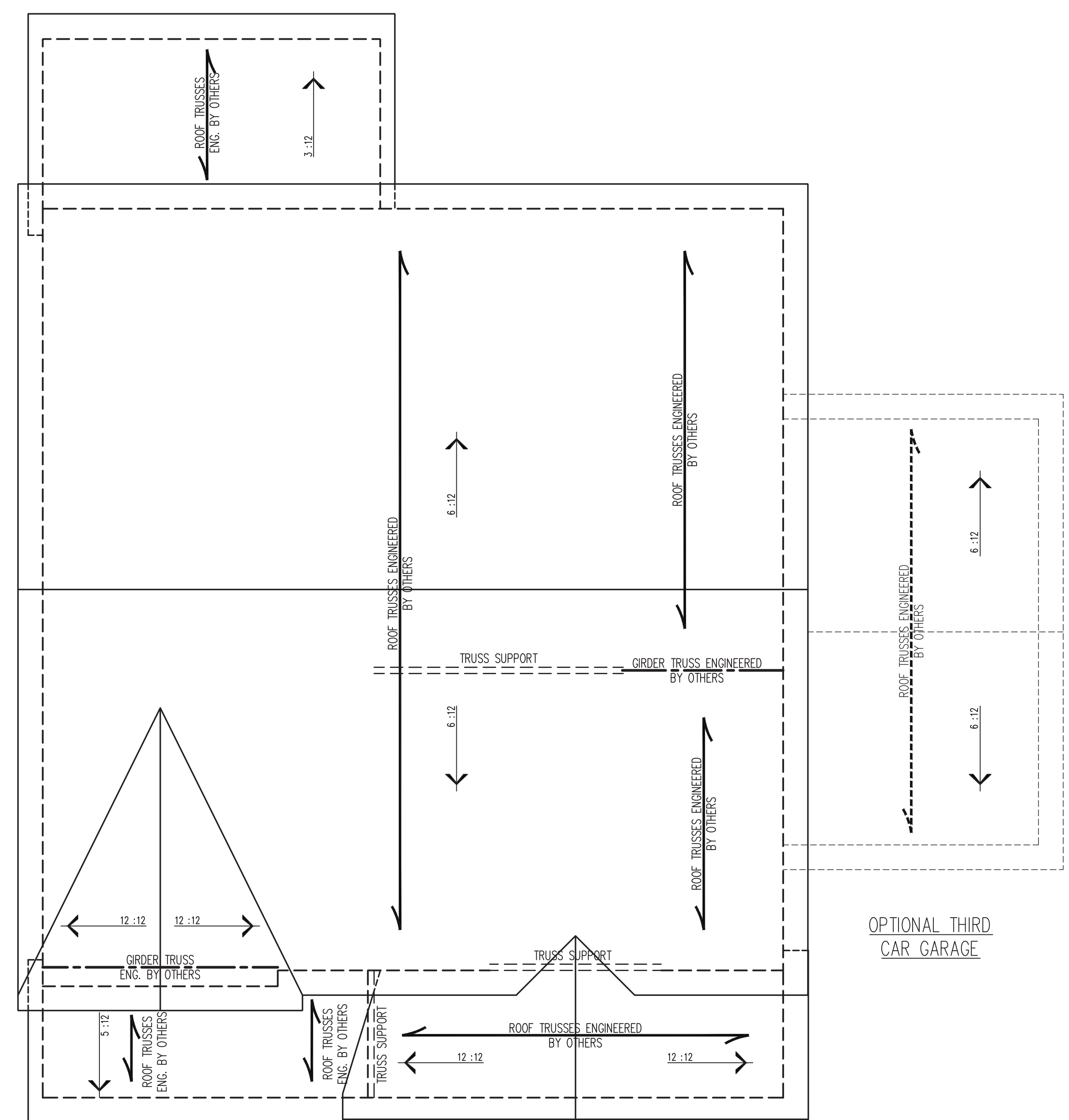


**J.S. THOMPSON
ENGINEERING, INC**
333 EAST SIX FORKS ROAD, SUITE 180, RALEIGH, NC 27609
PHONE: (919) 789-9919 FAX: (919) 789-9921
N.C. LICENSE NO.: C-1733

ARGYLE 35
ASCOT CORPORATION, LLC

DATE: APRIL 30, 2024
SCALE: 1/4" = 1'-0"
DRAWN BY: ASCOT CORP.
ENGINEERED BY: WFB

S-3
ATTIC FLOOR
FRAMING PLAN



ELEVATION A

- STRUCTURAL NOTES:**
1. ALL FRAMING LUMBER TO BE #2 SPF (UNO).
 2. CIRCLES DENOTE (3) 2 x 4 POSTS FOR ROOF SUPPORT.
 3. FRAME DORMER WALLS ON TOP OF DOUBLE OR TRIPLE RAFTERS.
 4. HIP SPLICES ARE TO BE SPACED A MIN. OF 8'-0". FASTEN MEMBERS WITH THREE ROWS OF 12d NAILS @ 16" O.C. (TYP.)
 5. STICK FRAME OVER-FRAMED ROOF SECTIONS W/ 2 x 8 RIDGES, 2 x 6 RAFTERS @ 16" O.C. AND FLAT 2 x 10 VALLEYS OR USE VALLEY TRUSSES.
 6. FASTEN FLAT VALLEYS TO RAFTERS OR TRUSSES WITH SIMPSON H2.5A HURRICANE TIES @ 32" O.C. MAX. PASS HURRICANE TIES THROUGH NOTCH IN ROOF SHEATHING. EACH RAFTER IS TO BE FASTENED TO THE FLAT VALLEY WITH A MIN. OF (6) 12d TOP NAILS.
 7. REFER TO SECTION R802.11 OF THE 2018 NRC FOR REQUIRED UPLIFT RESISTANCE AT RAFTERS AND TRUSSES.
 8. REFER TO NOTES AND DETAIL SHEETS FOR ADDITIONAL STRUCTURAL INFORMATION.

NOTE: REFER TO ARCHITECTURAL DRAWINGS FOR ROOF PITCHES, PLATE HEIGHTS, DIMENSIONS, OVERHANG WIDTHS, AND ATTIC VENT CALCS.

LEGEND	
XT	EXTRA TRUSS
TS	TRUSS SUPPORT
XR	EXTRA RAFTER
RS	RAFTER SUPPORT
CONT	CONTINUOUS
EA	EACH
OC	ON CENTER
SPF	SPRUCE PINE FIR
SYP	SOUTHERN YELLOW PINE
TYP	TYPICAL
UNO	UNLESS NOTED OTHERWISE

**J.S. THOMPSON
ENGINEERING, INC**
333 EAST SIX FORKS ROAD, SUITE 180 RALEIGH, NC 27609
PHONE: (919) 789-9919 FAX: (919) 789-9921
N.C. LICENSE NO.: C-1733

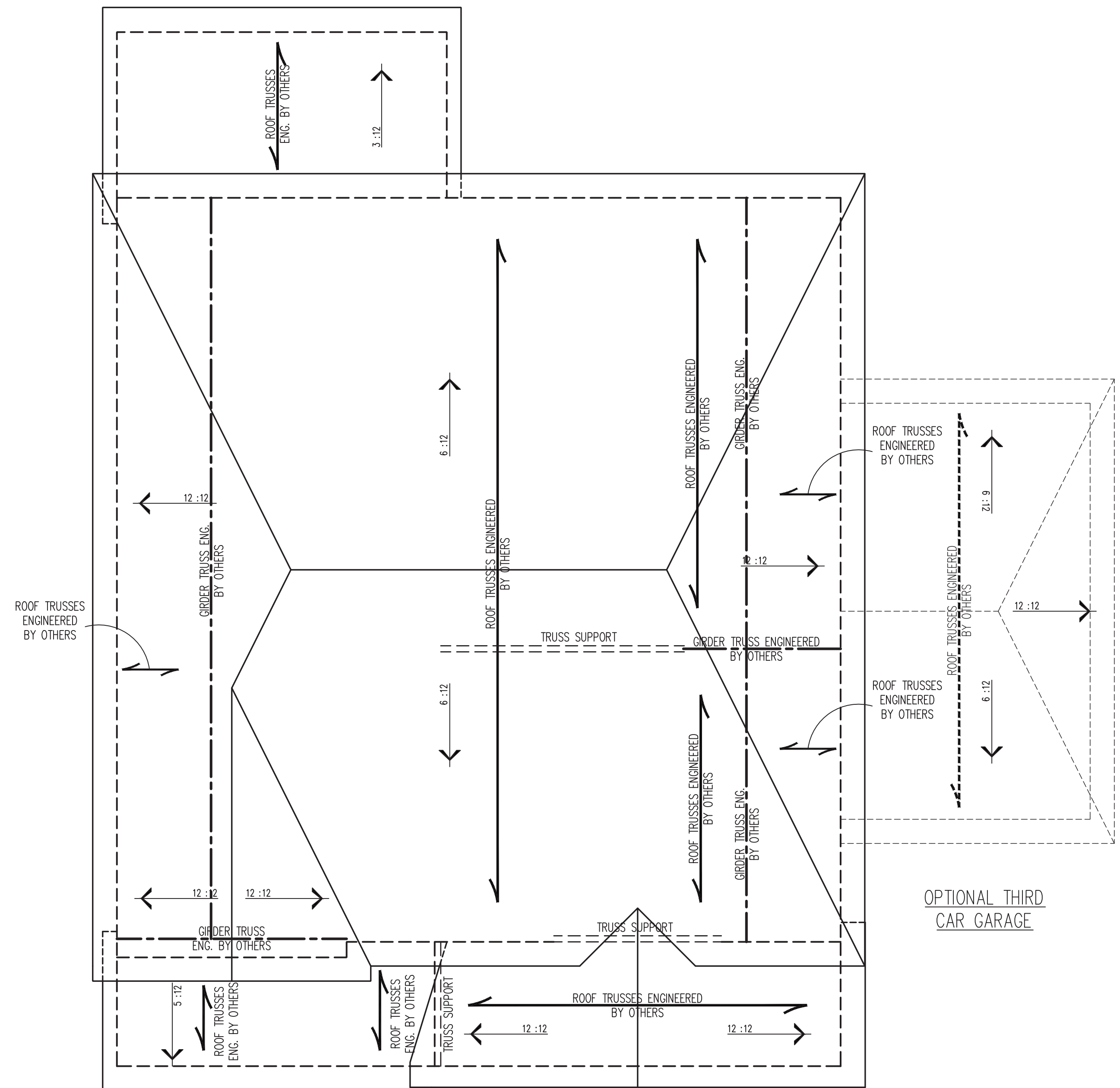
ARGYLE 35
ASCOT CORPORATION, LLC

DATE: APRIL 30, 2024
SCALE: 1/4" = 1'-0"
DRAWN BY: ASCOT CORP.
ENGINEERED BY: WFB



4/30/2024

S4a
ROOF FRAMING
PLAN



ELEVATION B

- STRUCTURAL NOTES:**
1. ALL FRAMING LUMBER TO BE #2 SPF (UNO).
 2. CIRCLES DENOTE (3) 2 x 4 POSTS FOR ROOF SUPPORT.
 3. FRAME DORMER WALLS ON TOP OF DOUBLE OR TRIPLE RAFTERS.
 4. HIP SPLICES ARE TO BE SPACED A MIN. OF 8'-0". FASTEN MEMBERS WITH THREE ROWS OF 12d NAILS @ 16" O.C. (TYP.)
 5. STICK FRAME OVER-FRAMED ROOF SECTIONS W/ 2 x 8 RIDGES, 2 x 6 RAFTERS @ 16" O.C. AND FLAT 2 x 10 VALLEYS OR USE VALLEY TRUSSES.
 6. FASTEN FLAT VALLEYS TO RAFTERS OR TRUSSES WITH SIMPSON H2.5A HURRICANE TIES @ 32" O.C. MAX. PASS HURRICANE TIES THROUGH NOTCH IN ROOF SHEATHING. EACH RAFTER IS TO BE FASTENED TO THE FLAT VALLEY WITH A MIN. OF (6) 12d TOP NAILS.
 7. REFER TO SECTION R802.11 OF THE 2018 NRC FOR REQUIRED UPLIFT RESISTANCE AT RAFTERS AND TRUSSES.
 8. REFER TO NOTES AND DETAIL SHEETS FOR ADDITIONAL STRUCTURAL INFORMATION.

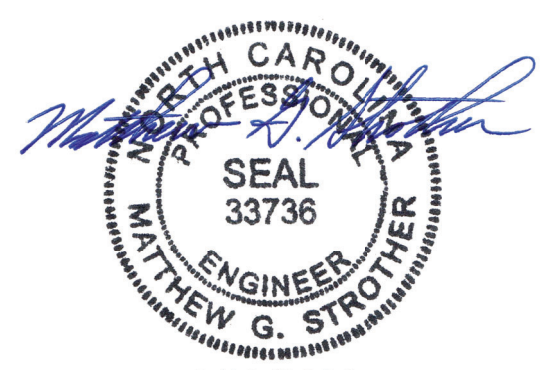
NOTE: REFER TO ARCHITECTURAL DRAWINGS FOR ROOF PITCHES, PLATE HEIGHTS, DIMENSIONS, OVERHANG WIDTHS, AND ATTIC VENT CALCS.

LEGEND	
XT	EXTRA TRUSS
TS	TRUSS SUPPORT
XR	EXTRA RAFTER
RS	RAFTER SUPPORT
CONT	CONTINUOUS
EA	EACH
OC	ON CENTER
SPF	SPRUCE PINE FIR
SYP	SOUTHERN YELLOW PINE
TYP	TYPICAL
UNO	UNLESS NOTED OTHERWISE

J.S. THOMPSON ENGINEERING, INC
 333 EAST SIX FORKS ROAD, SUITE 180, RALEIGH, NC 27609
 PHONE: (919) 789-9919 FAX: (919) 789-9921
 N.C. LICENSE NO.: C-1733

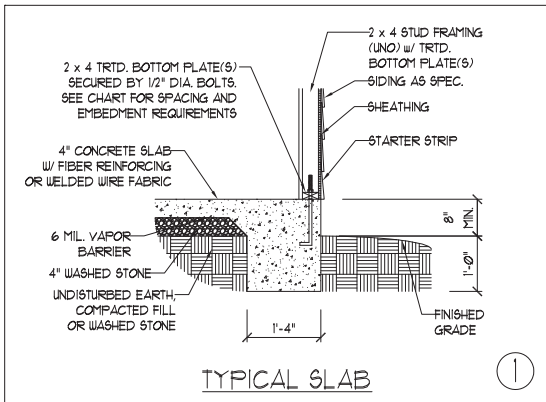
ARGYLE 35'
 ASCOT CORPORATION, LLC

DATE: APRIL 30, 2024
 SCALE: 1/4" = 1'-0"
 DRAWN BY: ASCOT CORP.
 ENGINEERED BY: WFB

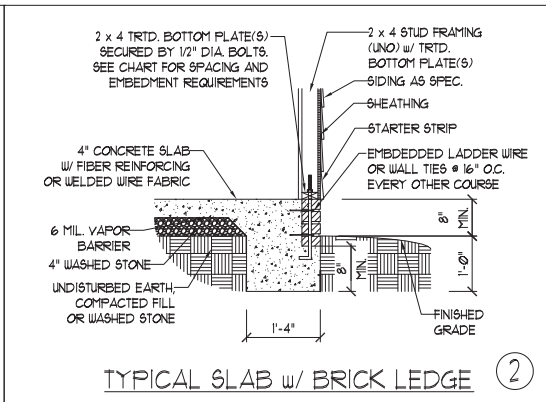


S4b
 ROOF FRAMING
 PLAN

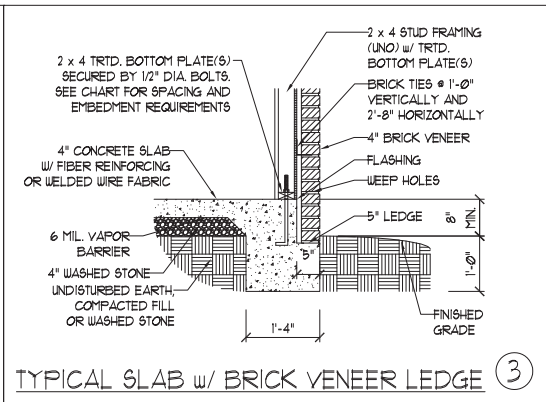
4/30/2024



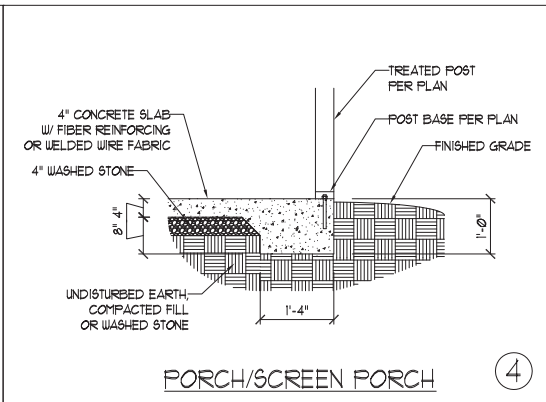
TYPICAL SLAB ①



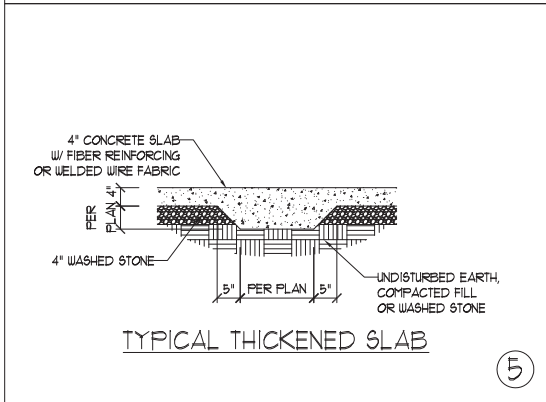
TYPICAL SLAB w/ BRICK LEDGE ②



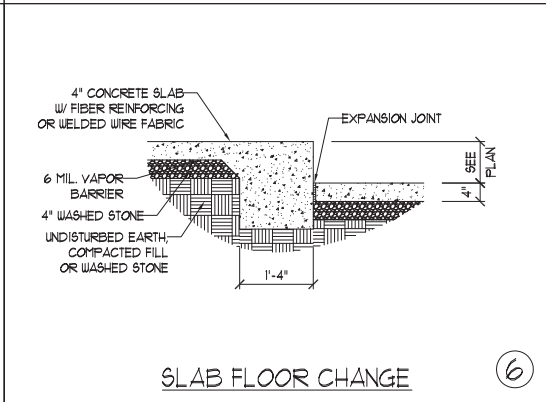
TYPICAL SLAB w/ BRICK VENEER LEDGE ③



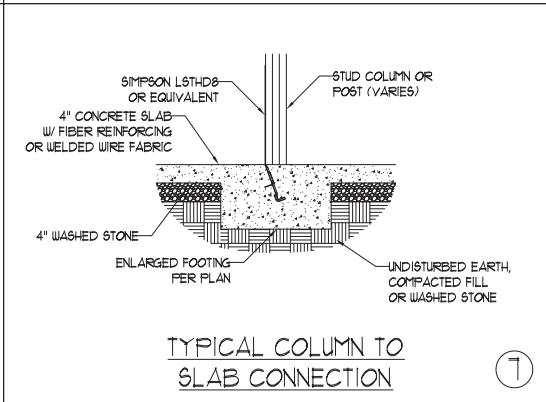
PORCH/SCREEN PORCH ④



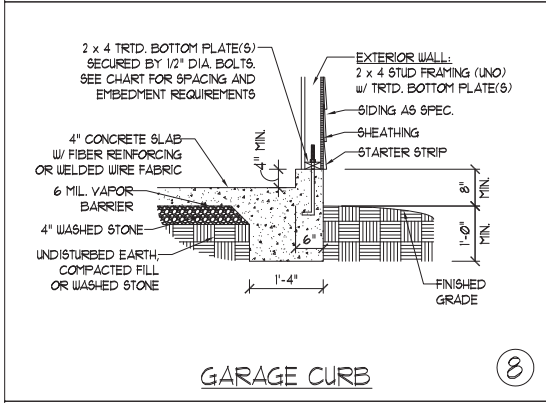
TYPICAL THICKENED SLAB ⑤



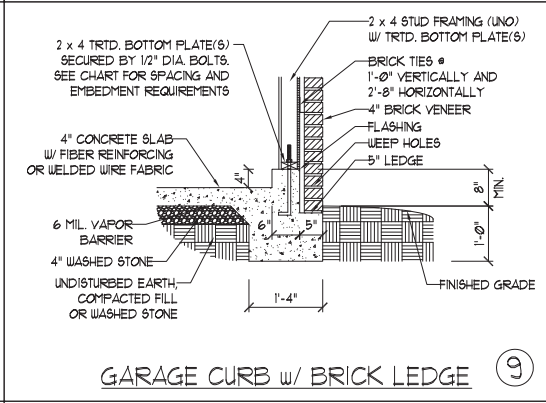
SLAB FLOOR CHANGE ⑥



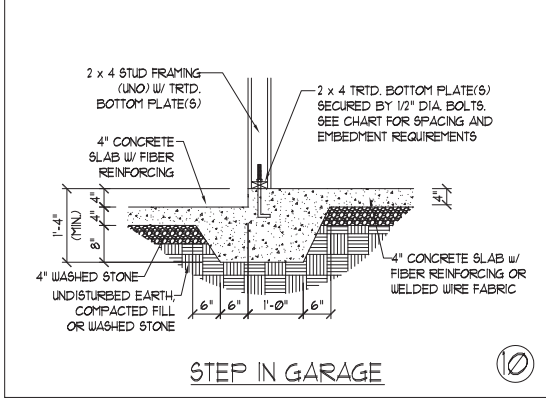
TYPICAL COLUMN TO SLAB CONNECTION ⑦



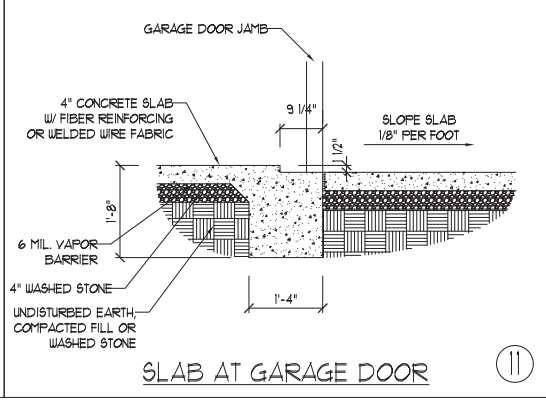
GARAGE CURB ⑧



GARAGE CURB w/ BRICK LEDGE ⑨



STEP IN GARAGE ⑩



SLAB AT GARAGE DOOR ⑪

ANCHOR SPACING AND EMBEDMENT		NOTE: THREADED ROD WITH EPOXY, SIMPSON TITEN HD, OR APPROVED ANCHORS SPACED AS REQUIRED TO PROVIDE EQUIVALENT ANCHORAGE TO 1/2\"/>
WIND ZONE	120 MPH	
SPACING	6'-0\"/>	
EMBEDMENT	7\"/>	

J.S. THOMPSON ENGINEERING, INC.
 333 EAST SIX FORKS ROAD, SUITE 180 RALEIGH, NC 27609
 PHONE: (919) 789-9919 FAX: (919) 789-9921
 N.C. LICENSE NO.: CJ1733

MONOLITHIC SLAB FOUNDATION DETAILS



4/30/2024

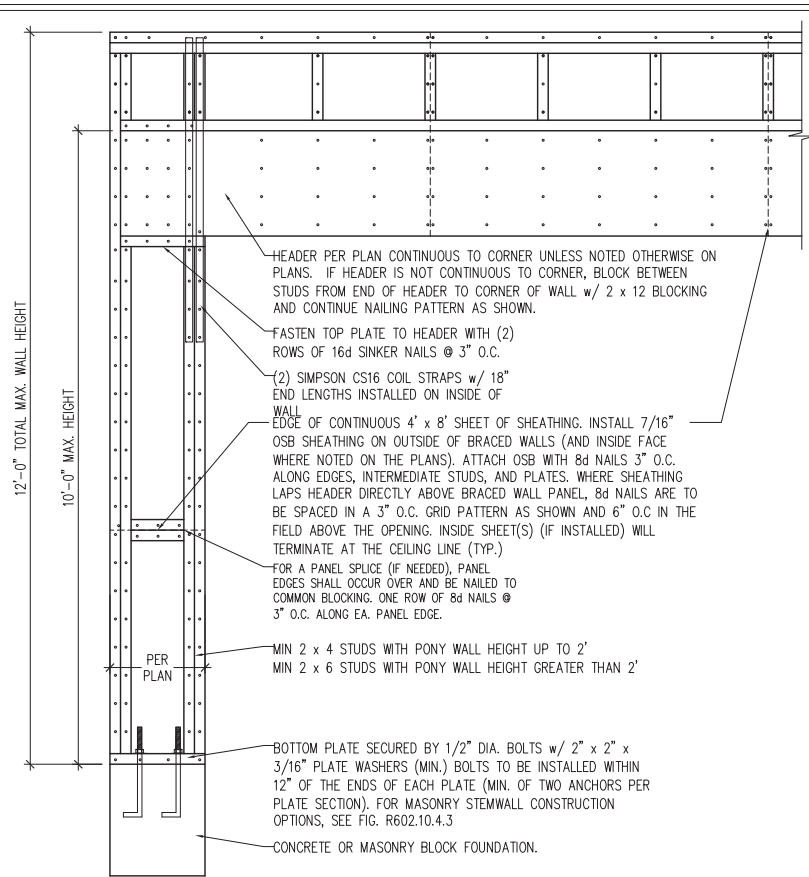
DATE: AUGUST 30, 2022
SCALE: NTS
DRAWN BY: JST
ENGINEERED BY: JST

This sealed page is to be used in conjunction with a full plan set engineered by J.S. Thompson Engineering, Inc. only. Use of this individual sealed page within architectural pages or shop drawings by others is a punishable offense under N.C. Statute § 89C-23

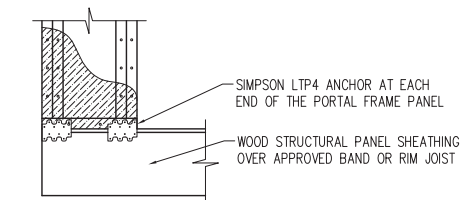
FOUNDATION DETAILS

GENERAL WALL BRACING NOTES:

1. WALL BRACING DESIGNED IN ACCORDANCE WITH CHAPTER 6 OF THE 2018 NC RESIDENTIAL BUILDING CODE (NRC). TABLES AND FIGURES REFERENCED ARE FROM THE 2018 NRC.
2. SEE THIS SHEET FOR GENERAL DETAILS. REFER TO THE 2018 NRC FOR ADDITIONAL INFORMATION AS NEEDED.
3. BRACED EXTERIOR WALLS SUPPORTING ROOF TRUSSES AND RAFTERS, INCLUDING STORIES BELOW THE TOP FLOOR, HAVE BEEN DESIGNED PER R602.3.5 (3). WALL SHEATHING AND FASTENERS HAVE BEEN DESIGNED TO RESIST COMBINED UPLIFT AND SHEAR FORCES IN ACCORDANCE WITH ACCEPTED ENGINEERED PRACTICE.
4. SEE STRUCTURAL SHEETS FOR BRACED WALL LOCATIONS, DIMENSIONS, HOLD DOWN TYPE AND LOCATIONS, BRACED WALL LINE KEY WITH WALL DESIGN SUMMARY OF REQUIRED/PROVIDED TOTALS FOR EACH WALL LINE AND ANY SPECIAL NOTES OR REQUIREMENTS.
5. ALL EXTERIOR WALLS ARE TO BE SHEATHED WITH CS-WSP IN ACCORDANCE WITH SECTION R602.10.3 UNLESS NOTED OTHERWISE.
6. ALL EXTERIOR AND INTERIOR WALLS TO HAVE 1/2" GYPSUM INSTALLED. WHEN NOT USING METHOD "GB", GYPSUM TO BE FASTENED PER TABLE R702.3.5. METHOD GB TO BE FASTENED PER TABLE R602.10.1
7. CS-WSP REFERS TO THE "CONTINUOUS SHEATHING - WOOD STRUCTURAL PANELS" WALL BRACING METHOD. 7/16" OSB SHEATHING IS TO BE INSTALLED ON ALL EXTERIOR WALLS ATTACHED w/ 6d COMMON NAILS OR 8d (2 1/2" LONG x 0.113" DIAMETER) NAILS SPACED 6" O.C. ALONG PANEL EDGES AND 12" O.C. IN THE FIELD (U.N.O.).
8. GB REFERS TO THE "GYPSUM BOARD" WALL BRACING METHOD. 1/2" (MIN.) GYPSUM WALL BOARD IS TO BE INSTALLED ON BOTH SIDES OF THE BRACED WALL FASTENED WITH 1 1/4" SCREWS OR 1 5/8" NAILS SPACED 7" O.C. ALONG PANEL EDGES INCLUDING TOP AND BOTTOM PLATES AND INTERMEDIATE SUPPORTS (U.N.O.). VERIFY ALL FASTENER OPTIONS FOR 1/2" AND 5/8" GYPSUM PRIOR TO CONSTRUCTION. FOR INTERIOR FASTENER OPTIONS SEE TABLE R702.3.5. FOR EXTERIOR FASTENER OPTIONS SEE TABLE R602.3(1). EXTERIOR GB TO BE INSTALLED VERTICALLY.
9. REQUIRED BRACED WALL LENGTH FOR EACH SIDE OF THE CIRCUMSCRIBED RECTANGLE ARE INTERPOLATED PER TABLE R602.10.3. METHOD CS-WSP CONTRIBUTES ITS ACTUAL LENGTH, METHOD GB CONTRIBUTES .5 ITS ACTUAL LENGTH, AND METHOD PF CONTRIBUTES 1.5 TIMES ITS ACTUAL LENGTH.

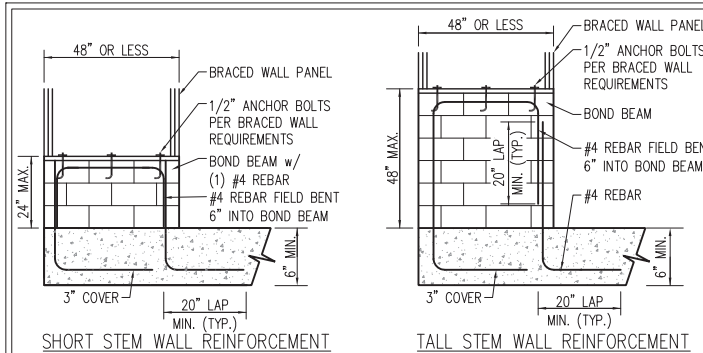


OVER CONCRETE OR MASONRY BLOCK FOUNDATION



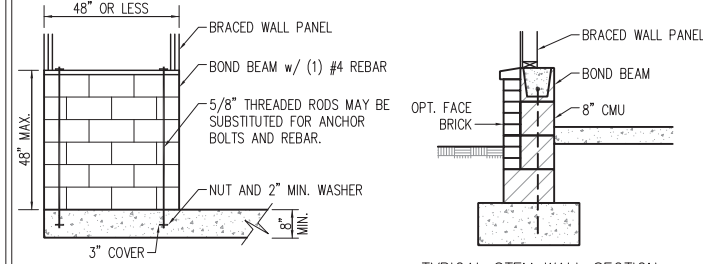
OVER RAISED WOOD FLOOR - FRAMING ANCHOR OPTION
* APPLICABLE w/ GREATER THAN 12" KNEE WALL HEIGHTS IN CRAWL SPACE AND ABOVE FRAMED BASEMENT WALLS *

METHOD PF-PORTAL FRAME DETAIL (1)



SHORT STEM WALL REINFORCEMENT

TALL STEM WALL REINFORCEMENT



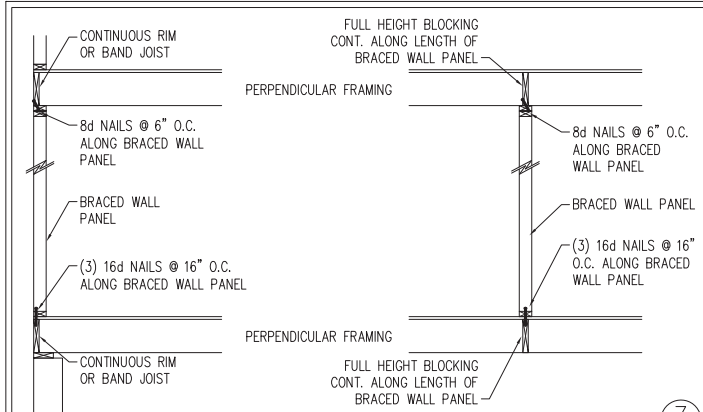
OPTIONAL STEM WALL REINFORCEMENT

TYPICAL STEM WALL SECTION

NOTE: GROUT BOND BEAMS AND ALL CELLS WHICH CONTAIN REBAR, THREADED RODS AND ANCHOR BOLTS

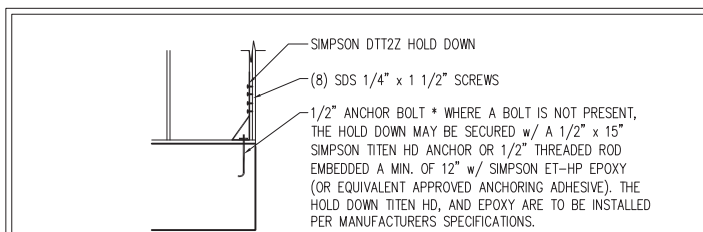
MASONRY STEM WALLS SUPPORTING BRACED WALL PANELS (2)

PER FIGURE R602.10.4.3



BRACED WALL PANEL CONNECTION WHEN PERPENDICULAR TO FLOOR/CEILING FRAMING (3)

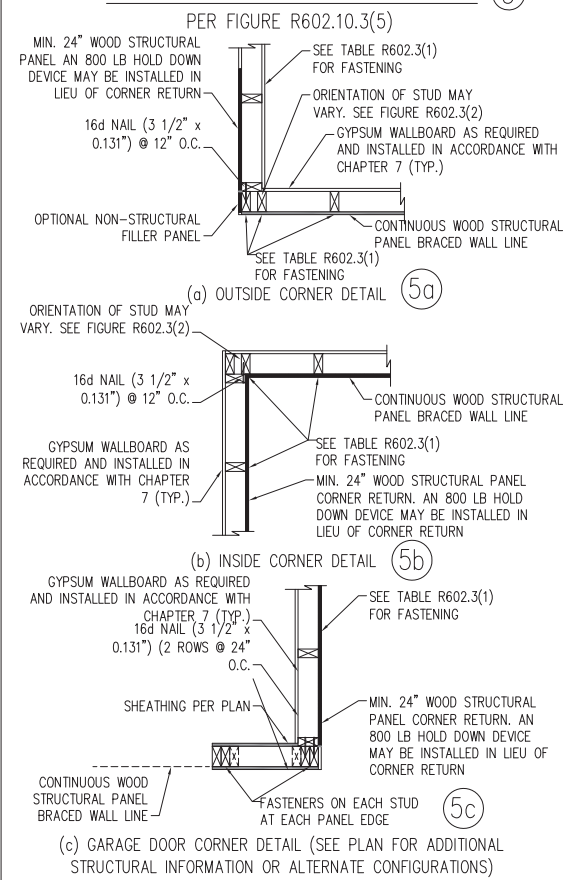
PER FIGURE R602.10.4.4(1)



HOLD DOWN DETAIL FOR MASONRY FOUNDATION OR MONOLITHIC SLAB (4)

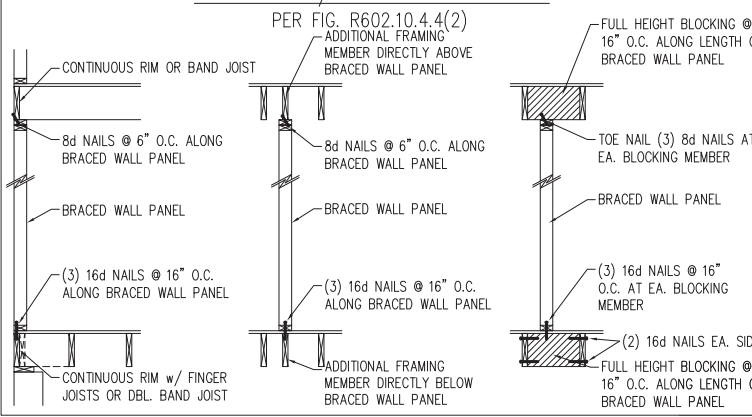
* APPLICABLE ONLY WHERE SPECIFIED ON PLAN *

TYPICAL EXTERIOR CORNER FRAMING FOR CONTINUOUS SHEATHING (5)



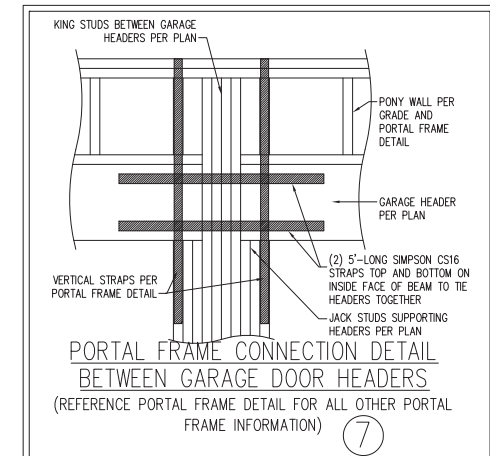
(c) GARAGE DOOR CORNER DETAIL (SEE PLAN FOR ADDITIONAL STRUCTURAL INFORMATION OR ALTERNATE CONFIGURATIONS)

BRACED WALL PANEL CONNECTION WHEN PARALLEL TO FLOOR/CEILING FRAMING (6)



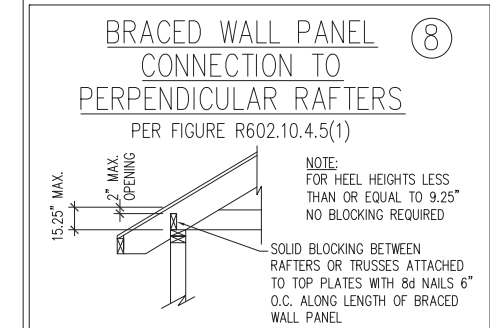
(2) 16d NAILS EA. SIDE - FULL HEIGHT BLOCKING @ 16" O.C. ALONG LENGTH OF BRACED WALL PANEL

SCALE NOTE:
LARGE FORMAT PRINTS ARE TO SCALE AS NOTED.
11" x 17" PRINTS ARE ONE HALF THE NOTED SCALE



PORTAL FRAME CONNECTION DETAIL BETWEEN GARAGE DOOR HEADERS (7)

(REFERENCE PORTAL FRAME DETAIL FOR ALL OTHER PORTAL FRAME INFORMATION)



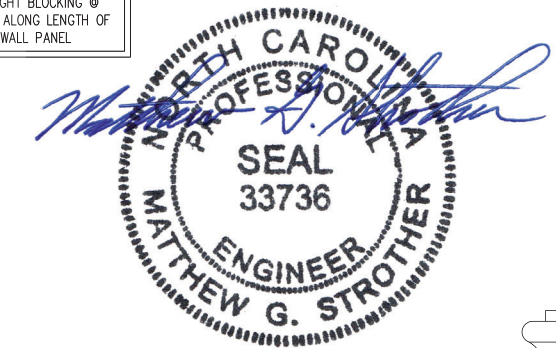
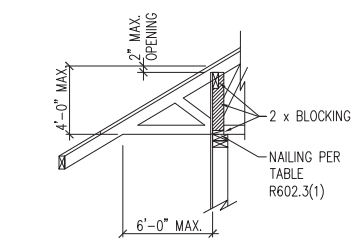
BRACED WALL PANEL CONNECTION TO PERPENDICULAR RAFTERS (8)

PER FIGURE R602.10.4.5(1)

NOTE:
FOR HEEL HEIGHTS LESS THAN OR EQUAL TO 9.25"
NO BLOCKING REQUIRED

BRACED WALL PANEL CONNECTION TO PERPENDICULAR ROOF TRUSSES (9)

PER FIGURE R602.10.4.5(3) (OR ALTERNATIVE: FIGURE R602.10.4.5(2))



J.S. THOMPSON ENGINEERING, INC
331 EAST SIX FORKS ROAD, SUITE 100 - RALEIGH, NC 27609
PHONE: (919) 789-9119 FAX: (919) 789-9221
N.C. LICENSE NO. C173

WALL BRACING NOTES AND DETAILS

DATE: AUGUST 10, 2022
SCALE: 1/4" = 1'-0"
DRAWN BY: JST
ENGINEERED BY: JST

BRACED WALL NOTES AND DETAILS AND PF DETAILS

4/30/2024

This sealed page is to be used in conjunction with a full plan set engineered by J.S. Thompson Engineering, Inc. Only use of this individual sealed page within architectural pages or shop drawings by others is a punishable offense under N.C. Statute § 89C-23

SCALE NOTE:
LARGE FORMAT PRINTS ARE TO SCALE AS NOTED.
11" x 17" PRINTS ARE ONE HALF THE NOTED SCALE

GENERAL NOTES

- ENGINEER'S SEAL APPLIES ONLY TO STRUCTURAL COMPONENTS INCLUDING ROOF RAFTERS, HIPS, VALLEYS, RIDGES, FLOORS, WALLS, BEAMS, HEADERS, COLUMNS, CANTILEVERS, OFFSET LOAD BEARING WALLS, PIERS, GIRDER SYSTEM AND FOOTING. ENGINEER'S SEAL DOES NOT CERTIFY DIMENSIONAL ACCURACY OF ARCHITECTURAL LAYOUT INCLUDING ROOF. ENGINEER'S SEAL DOES NOT APPLY TO I-JOIST OR FLOOR/ROOF TRUSS LAYOUT DESIGN AND ACCURACY.
- ALL CONSTRUCTION SHALL CONFORM TO THE LATEST REQUIREMENTS OF THE NORTH CAROLINA RESIDENTIAL CODE (NRCR), 2018 EDITION, PLUS ALL LOCAL CODES AND REGULATIONS. THE STRUCTURAL ENGINEER IS NOT RESPONSIBLE FOR, AND WILL NOT HAVE CONTROL OF, CONSTRUCTION MEANS, METHODS, TECHNIQUES, SEQUENCES OR PROCEDURES, OR SAFETY PRECAUTIONS AND PROGRAMS IN CONNECTION WITH THE CONSTRUCTION WORK. NOR WILL THE ENGINEER BE RESPONSIBLE FOR THE CONTRACTORS FAILURE TO CARRY OUT THE CONSTRUCTION WORK IN ACCORDANCE WITH THE CONTRACT DOCUMENTS.
- STRUCTURAL DESIGN BASED ON THE PROVISIONS OF THE NRCR, 2018 EDITION (R301.4 - R301.7)

DESIGN CRITERIA:	LIVE LOAD (PSF)	DEAD LOAD (PSF)	DEFLECTION (IN)
ATTIC WITH LIMITED STORAGE	20	10	L/240 (L/360 w/ BRITTLE FINISHES)
ATTIC WITHOUT STORAGE	10	10	L/360
DECKS	40	10	L/360
EXTERIOR BALCONIES	40	10	L/360
FIRE ESCAPES	40	10	L/360
HANDRAILS/GUARDRAILS	200	10	L/360
PASSENGER VEHICLE GARAGE	50	10	L/360
ROOMS OTHER THAN SLEEPING ROOM	40	10	L/360
SLEEPING ROOMS	30	10	L/360
STAIRS	40	10	L/360
WIND LOAD	(BASED ON TABLE R301.2(4) WIND ZONE AND EXPOSURE)		
GROUND SNOW LOAD: P _g	20 (PSF)		

- I-JOIST SYSTEMS DESIGNED WITH 12 PSF DEAD LOAD AND DEFLECTION (IN) OF L/480
- FLOOR TRUSS SYSTEMS DESIGNED WITH 15 PSF DEAD LOAD

- FOR 115 AND 120 MPH WIND ZONES, FOUNDATION ANCHORAGE IS TO COMPLY WITH SECTION R403.1.6 OF THE NRCR, 2018 EDITION. FOR 130 MPH, 140 MPH, AND 150 MPH WIND ZONES, FOUNDATION ANCHORAGE IS TO COMPLY WITH SECTION 4504 OF THE NRCR, 2018 EDITION.
- ENERGY EFFICIENCY COMPLIANCE AND INSULATION VALUES OF THE BUILDING TO BE IN ACCORDANCE WITH CHAPTER 11 OF THE NRCR, 2018 EDITION.

FOOTING AND FOUNDATION NOTES

- FOUNDATION DESIGN BASED ON A MINIMUM ALLOWABLE BEARING CAPACITY OF 2000 PSF. CONTACT GEOTECHNICAL ENGINEER IF BEARING CAPACITY IS NOT ACHIEVED.
- FOR ALL CONCRETE SLABS AND FOOTINGS, THE AREA WITHIN THE PERIMETER OF THE BUILDING ENVELOPE SHALL HAVE ALL VEGETATION, TOP SOIL AND FOREIGN MATERIAL REMOVED. FILL MATERIAL SHALL BE FREE OF VEGETATION AND FOREIGN MATERIAL. THE FILL SHALL BE COMPACTED TO ASSURE UNIFORM SUPPORT OF THE SLAB, AND EXCEPT WHERE APPROVED, THE FILL DEPTHS SHALL NOT EXCEED 24" FOR CLEAN SAND OR GRAVEL. A 4" THICK BASED COURSE CONSISTING OF CLEAN GRADED SAND OR GRAVEL SHALL BE PLACED. A BASE COURSE IS NOT REQUIRED WHERE A CONCRETE SLAB IS INSTALLED ON WELL-DRAINED OR SAND-GRAVEL MIXTURE SOILS CLASSIFIED AS GROUP 1, ACCORDING TO THE UNITED SOIL CLASSIFICATION SYSTEM IN ACCORDANCE WITH TABLE R405.1 OF THE NRCR, 2018 EDITION.
- PROPERLY DEWATER EXCAVATION PRIOR TO POURING CONCRETE WHEN BOTTOM OF CONCRETE SLAB IS AT OR BELOW WATER TABLE. IF APPLICABLE, 3/4" - 1" DEEP CONTROL JOINTS ARE TO BE SAWED WITHIN 4 TO 12 HOURS OF CONCRETE FINISHING AND WALL LOCATIONS HAVE BEEN MARKED. ADJUST WHERE NECESSARY.
- CONCRETE SHALL CONFORM TO SECTION R402.2 OF THE NRCR, 2018 EDITION. CONCRETE REINFORCING STEEL TO BE ASTM A615 GRADE 60. WELDED WIRE FABRIC TO BE ASTM A185. MAINTAIN A MINIMUM CONCRETE COVER AROUND REINFORCING STEEL OF 3" IN FOOTINGS AND 1 1/2" IN SLABS. FOR POURED CONCRETE WALLS, CONCRETE COVER FOR REINFORCING STEEL MEASURED FROM THE INSIDE FACE OF THE WALL SHALL NOT BE LESS THAN 3/4". CONCRETE COVER FOR REINFORCING STEEL MEASURED FROM THE OUTSIDE FACE OF THE WALL SHALL NOT BE LESS THAN 1 1/2" FOR #5 BARS OR SMALLER, AND NOT LESS THAN 2" FOR #6 BARS OR LARGER.
- MASONRY UNITS TO CONFORM TO ACE 530/ASCE 5/TMS 402. MORTAR SHALL CONFORM TO ASTM C270.
- THE UNSUPPORTED HEIGHT OF MASONRY PIERS SHALL NOT EXCEED FOUR TIMES THEIR LEAST DIMENSION FOR UNFILLED HOLLOW CONCRETE MASONRY UNITS AND TEN TIMES THEIR LEAST DIMENSION FOR SOLID OR SOLID FILLED PIERS. PERS MAY BE FILLED SOLID WITH CONCRETE OR TYPE M OR S MORTAR. PIERS AND WALLS SHALL BE CAPPED WITH 8" OF SOLID MASONRY.
- THE CENTER OF EACH OF THE PIERS SHALL BEAR IN THE MIDDLE THIRD OF ITS RESPECTIVE FOOTING. EACH GIRDER SHALL BEAR IN THE MIDDLE THIRD OF THE PIERS.
- ALL CONCRETE AND MASONRY FOUNDATION WALLS ARE TO BE CONSTRUCTED IN ACCORDANCE WITH THE PROVISIONS OF SECTION R404 OF THE NRCR, 2018 EDITION OR IN ACCORDANCE WITH ACI 318, ACI 332, NCMA TR68-A OR ACE 530/ASCE 5/TMS 402. MASONRY FOUNDATION WALLS ARE TO BE REINFORCED PER TABLE R404.1.1(1), R404.1.1(2), R404.1.1(3), OR R404.1.1(4) OF THE NRCR, 2018 EDITION. CONCRETE FOUNDATION WALLS ARE TO BE REINFORCED PER TABLE R404.1.1(5) OF THE NRCR, 2018 EDITION. STEP CONCRETE FOUNDATION WALLS TO 2 x 6 FRAMED WALLS AT 16" O.C. WHERE GRADE PERMITS (UNO).

This sealed page is to be used in conjunction with a full plan set engineered by J.S. Thompson Engineering, Inc. only. Use of this individual sealed page within architectural pages or shop drawings by others is a punishable offense under N.C. Statute § 89C-23

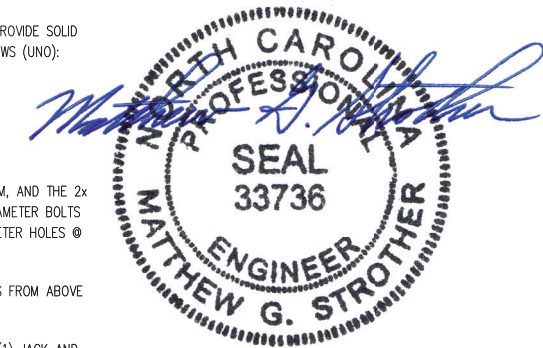
FRAMING NOTES

- ALL FRAMING LUMBER SHALL BE #2 SPF MINIMUM (F_b = 875 PSI, F_v = 375 PSI, E = 1600000 PSI) UNLESS NOTED OTHERWISE (UNO). ALL TREATED LUMBER SHALL BE #2 SYP MINIMUM (F_b = 975 PSI, F_v = 175 PSI, E = 1600000 PSI) UNLESS NOTED OTHERWISE (UNO).
- LAMINATED VENEER LUMBER (LVL) SHALL HAVE THE FOLLOWING MINIMUM PROPERTIES: F_b = 2600 PSI, F_v = 285 PSI, E = 1900000 PSI. LAMINATED STRAND LUMBER (LSL) SHALL HAVE THE FOLLOWING MINIMUM PROPERTIES: F_b = 2325 PSI, F_v = 310 PSI, E = 1550000 PSI. PARALLEL STRAND LUMBER (PSL) UP TO 7" DEPTH SHALL HAVE THE FOLLOWING MINIMUM PROPERTIES: F_c = 2500 PSI, E = 1800000 PSI. PARALLEL STRAND LUMBER (PSL) MORE THAN 7" DEPTH SHALL HAVE THE FOLLOWING MINIMUM PROPERTIES: F_c = 2900 PSI, E = 2000000 PSI. INSTALL ALL CONNECTIONS PER MANUFACTURER'S SPECIFICATIONS.
- STRUCTURAL STEEL SHALL CONFORM TO THE FOLLOWING ASTM SPECIFICATIONS
 - W AND WT SHAPES: ASTM A992
 - CHANNELS AND ANGLES: ASTM A36
 - PLATES AND BARS: ASTM A36
 - HOLLOW STRUCTURAL SECTIONS: ASTM A500 GRADE B
 - STEEL PIPE: ASTM A53, GRADE B, TYPE E OR S

- STEEL BEAMS SHALL BE SUPPORTED AT EACH END WITH A MINIMUM BEARING LENGTH OF 3 1/2" AND FULL FLANGE WIDTH (UNO). PROVIDE SOLID BEARING FROM BEAM SUPPORT TO FOUNDATION. BEAMS SHALL BE ATTACHED AT THE BOTTOM FLANGE TO EACH SUPPORT AS FOLLOWS (UNO):
 - WOOD FRAMING (2) 1/2" DIA. x 4" LONG LAG SCREWS
 - CONCRETE (2) 1/2" DIA. x 4" WEDGE ANCHORS
 - MASONRY (FULLY GROUTED) (2) 1/2" DIA. x 4" LONG SIMPSON TITEN HD ANCHORS
 - STEEL PIPE COLUMN (4) 3/4" DIA. A325 BOLTS OR 3/16" FILLET WELD

LATERAL SUPPORT IS CONSIDERED ADEQUATE PROVIDING THE JOISTS ARE TOE NAILED TO THE 2x NAILER ON TOP OF THE STEEL BEAM, AND THE 2x NAILER IS SECURED TO THE TOP OF THE STEEL BEAM w/ (2) ROWS OF SELF TAPPING SCREWS @ 16" O.C. OR (2) ROWS OF 1/2" DIAMETER BOLTS @ 16" O.C. IF 1/2" BOLTS ARE USED TO FASTEN THE NAILER, THE STEEL BEAM SHALL BE FABRICATED w/ (2) ROWS OF 9/16" DIAMETER HOLES @ 16" O.C.

- SQUARES DENOTE POINT LOADS WHICH REQUIRE SOLID BLOCKING TO GIRDER OR FOUNDATION. SHADED SQUARES DENOTE POINT LOADS FROM ABOVE WHICH REQUIRE SOLID BLOCKING TO SUPPORTING MEMBER BELOW.
- ALL LOAD BEARING HEADERS TO CONFORM TO TABLE R602.7(1) AND R602.7(2) OF THE NRCR, 2018 EDITION OR BE (2) 2 x 6 WITH (1) JACK AND (1) KING STUD EACH END (UNO), WHICHEVER IS GREATER ALL HEADERS TO BE SECURED TO EACH JACK STUD WITH (4) 8d NAILS. ALL BEAMS TO BE SUPPORTED WITH (2) STUDS AT EACH BEARING POINT (UNO). INSTALL KING STUDS PER SECTION R602.7.5 OF THE NORTH CAROLINA RESIDENTIAL CODE, 2018 EDITION.
- ALL BEAMS, HEADERS, OR GIRDER TRUSSES PARALLEL TO WALL ARE TO BEAR FULLY ON (1) JACK OR (2) STUDS MINIMUM OR THE NUMBER OF JACKS OR STUDS NOTED. ALL BEAMS OR GIRDER TRUSSES PERPENDICULAR TO WALL AND SUPPORTED BY (3) STUDS OR LESS ARE TO HAVE 1 1/2" MINIMUM BEARING (UNO). ALL BEAMS OR GIRDER TRUSSES PERPENDICULAR TO WALL AND SUPPORTED BY MORE THAN (3) STUDS OR OTHER NOTED COLUMN ARE TO BEAR FULLY ON SUPPORT COLUMN FOR ENTIRE WALL DEPTH (UNO). BEAM ENDS THAT BUTT INTO ONE ANOTHER ARE TO EACH BEAR EQUAL LENGTHS (UNO).
- FLITCH BEAMS SHALL BE BOLTED TOGETHER USING 1/2" DIAMETER BOLTS (ASTM A307) WITH WASHERS PLACED AT THREADED END OF BOLT. BOLTS SHALL BE SPACED AT 24" CENTERS (MAXIMUM), AND STAGGERED AT TOP AND BOTTOM OF BEAM (2" EDGE DISTANCE), WITH (2) BOLTS LOCATED AT 6" FROM EACH END (UNO).
- ALL I-JOIST OR TRUSS LAYOUTS ARE TO BE IN COMPLIANCE WITH THE OVERALL DESIGN SPECIFIED ON THE PLANS. ALL DEVIATIONS ARE TO BE BROUGHT TO THE ATTENTION OF THE ENGINEER OF RECORD PRIOR TO INSTALLATION.
- BRACED WALL PANELS SHALL BE CONSTRUCTED ACCORDING TO THE NORTH CAROLINA RESIDENTIAL CODE 2018 EDITION WALL BRACING CRITERIA. THE AMOUNT, LENGTH, AND LOCATION OF BRACING SHALL COMPLY WITH ALL APPLICABLE TABLES IN SECTION R602.10.
- PROVIDE DOUBLE JOIST UNDER ALL WALLS PARALLEL TO FLOOR JOISTS. PROVIDE SUPPORT UNDER ALL WALLS PARALLEL TO FLOOR TRUSSES OR I-JOISTS PER MANUFACTURER'S SPECIFICATIONS. INSTALL BLOCKING BETWEEN JOISTS OR TRUSSES FOR POINT LOAD SUPPORT FOR ALL POINT LOADS ALONG OFFSET LOAD LINES.
- FOR ALL HEADERS SUPPORTING BRICK VENEER THAT ARE LESS THAN 8'-0" IN LENGTH, REST A 6" x 4" x 5/16" STEEL ANGLE WITH 6" MINIMUM EMBEDMENT AT SIDES FOR BRICK SUPPORT (U.N.O.). FOR ALL HEADERS 8'-0" AND GREATER IN LENGTH, BOLT A 6" x 4" x 5/16" STEEL ANGLE TO HEADER WITH 1/2" LAG SCREWS AT 12" O.C. STAGGERED FOR BRICK SUPPORT. FOR ALL BRICK SUPPORT AT ROOF LINES, BOLT A 6" x 4" x 5/16" STEEL ANGLE TO (2) 2 x 10 BLOCKING INSTALLED w/ (4) 12d NAILS EA. PLY BETWEEN WALL STUDS WITH (2) ROWS OF 1/2" LAG SCREWS AT 12" O.C. STAGGERED AND IN ACCORDANCE WITH SECTION R703.8.2.1 OF THE NRCR, 2018 EDITION.
- FOR STICK FRAMED ROOFS: CIRCLES DENOTE (3) 2 x 4 POSTS FOR ROOF MEMBER SUPPORT. HIP SPLICES ARE TO BE SPACED A MINIMUM OF 8'-0". FASTEN MEMBERS WITH THREE ROWS OF 12d NAILS AT 16" O.C. FRAME DORMER WALLS ON TOP OF DOUBLE OR TRIPLE RAFTERS AS SHOWN (UNO).
- FOR TRUSSED ROOFS: FRAME DORMER WALLS ON TOP OF 2 x 4 LADDER FRAMING AT 24" O.C. BETWEEN ADJACENT ROOF TRUSSES. STICK FRAME OVER-FRAMED ROOF SECTIONS WITH 2 x 8 RIDGES, 2 x 6 RAFTERS AT 16" O.C. AND FLAT 2 x 10 VALLEYS (UNO).
- ALL 4 x 4 AND 6 x 6 POSTS TO BE INSTALLED WITH 700 LB CAPACITY UPLIFT CONNECTORS TOP AND BOTTOM (UNO). POSTS MAY BE SECURED USING ONE SIMPSON H6 OR LTS12 UPLIFT CONNECTOR FASTENED TO THE BAND AT THE BOTTOM AND THE BEAM AT THE TOP OF EACH POST. ONE 16" SECTION OF SIMPSON CS16 COIL STRAPPING WITH (8) 8d HDG NAILS AT EACH END MAY BE USED IN LIEU OF EACH TWIST STRAP IF DESIRED. FOR MASONRY OR CONCRETE FOUNDATION USE SIMPSON POST BASE.



4/30/2024

J.S. THOMPSON
ENGINEERING, INC
333 EAST SIX FORKS ROAD, SUITE 180 RALEIGH, NC 27609
PHONE: (919) 789-9919 FAX: (919) 789-9921
N.C. LICENSE NO.: CJ133

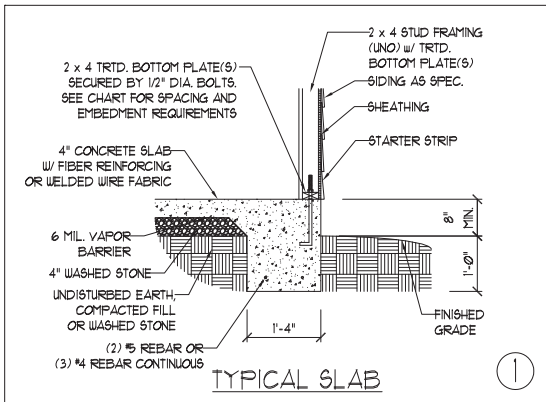
STANDARD STRUCTURAL NOTES

DATE: AUGUST 30, 2022

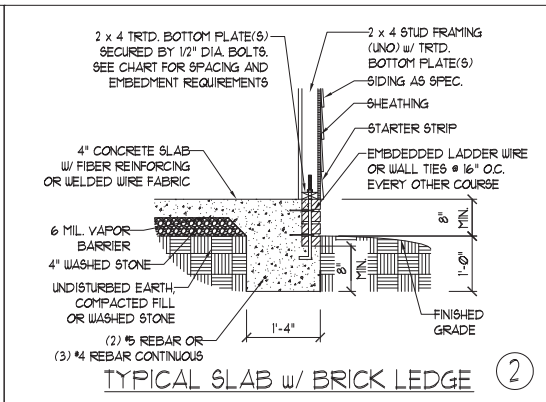
DRAWN BY: JST

ENGINEERED BY: JST

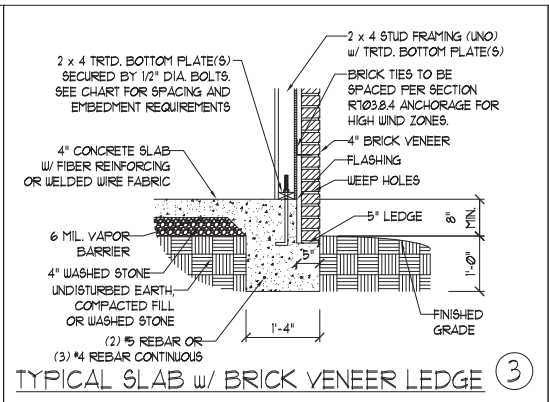
STRUCTURAL NOTES



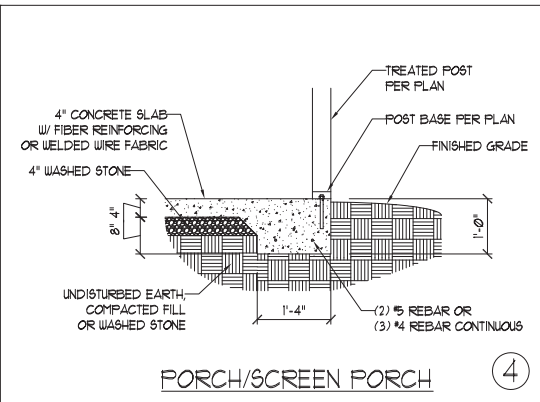
①



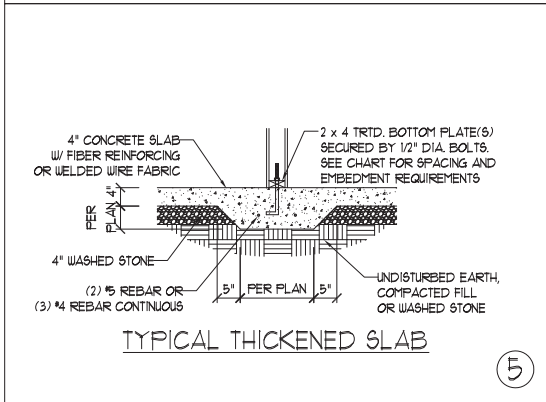
②



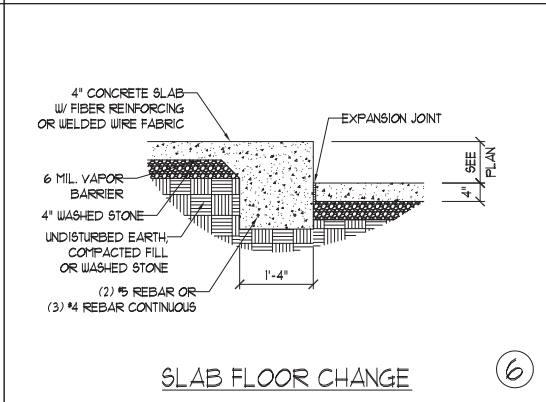
③



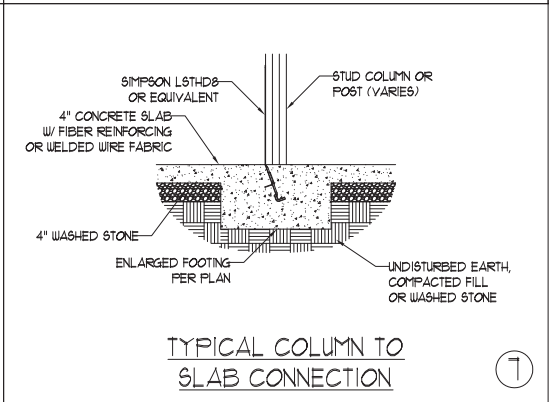
④



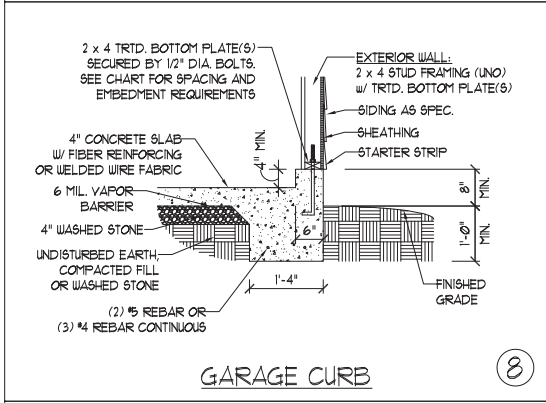
⑤



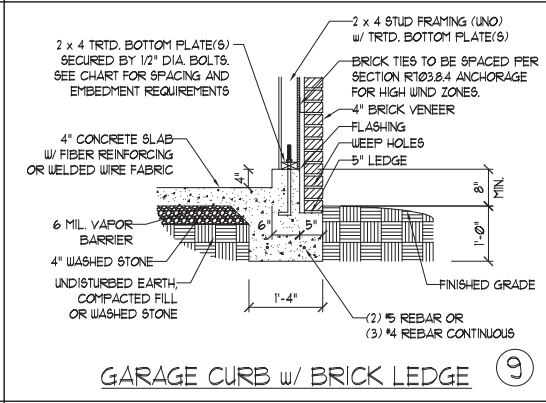
⑥



⑦

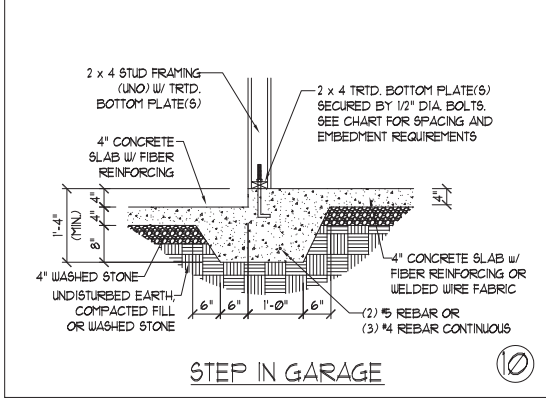


⑧

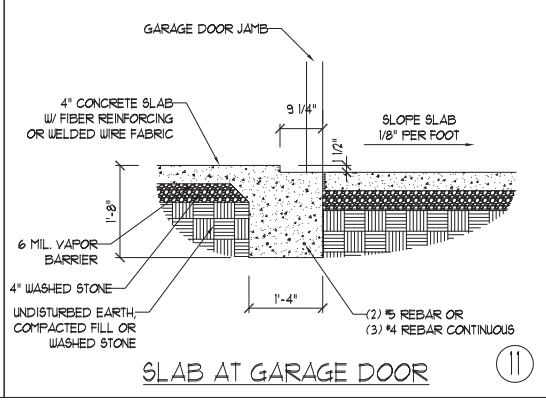


⑨

NOTE:
LOCATE REBAR 3\"/>



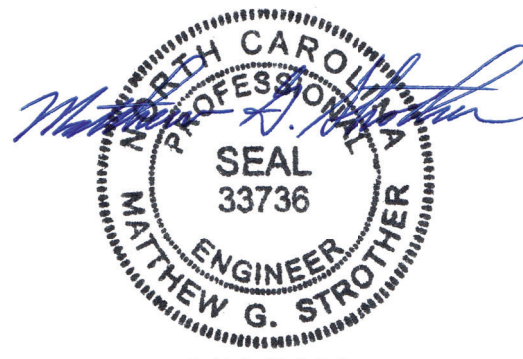
⑩



⑪

ANCHOR SPACING AND EMBEDMENT		
WIND ZONE	140 MPH	150 MPH
SPACING	6'-0" O.C. w/ DBL. SILL PLATE OR 1'-9" O.C. w/ SINGLE SILL PLATE w/ 2" x 2" x 1/8" WASHERS. INSTALL MIN. (2) ANCHORS PER PLATE SECTION AND (1) ANCHOR WITHIN 12" OF CORNERS	6'-0" O.C. w/ DBL. SILL PLATE OR 1'-6" O.C. w/ SINGLE SILL PLATE w/ 2" x 2" x 1/8" WASHERS. INSTALL MIN. (2) ANCHORS PER PLATE SECTION AND (1) ANCHOR WITHIN 12" OF CORNERS
EMBEDMENT	7"	7"

NOTE:
THREADED ROD WITH EPOXY, SIMPSON TITEN HD, OR APPROVED ANCHORS SPACED AS REQUIRED TO PROVIDE EQUIVALENT ANCHORAGE TO 1/2" DIAMETER ANCHOR BOLTS MAY BE USED IN LIEU OF 1/2" ANCHOR BOLTS.



4/30/2024

This sealed page is to be used in conjunction with a full plan set engineered by J.S. Thompson Engineering, Inc. only. Use of this individual sealed page within architectural pages or shop drawings by others is a punishable offense under N.C. Statute § 89C-23

J.S. THOMPSON ENGINEERING, INC.
333 EAST SIX FORKS ROAD, SUITE 180 RALEIGH, NC 27609
PHONE: (919) 789-9919 FAX: (919) 789-9921
N.C. LICENSE NO.: CJ1733

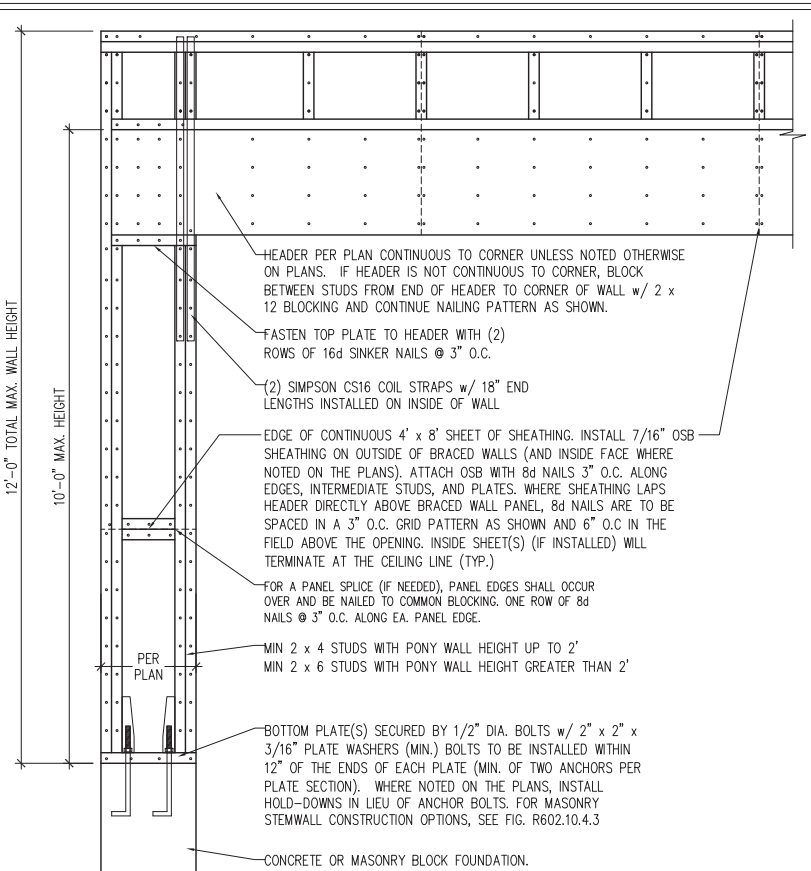
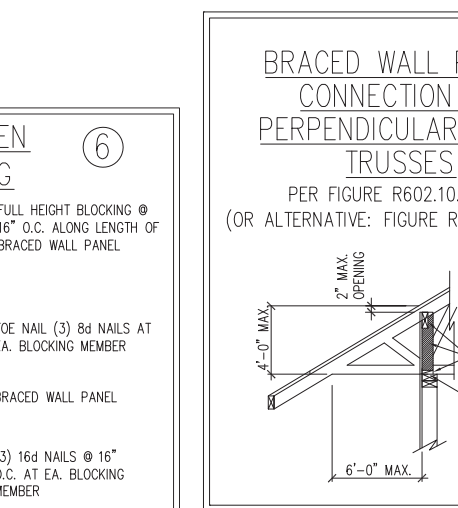
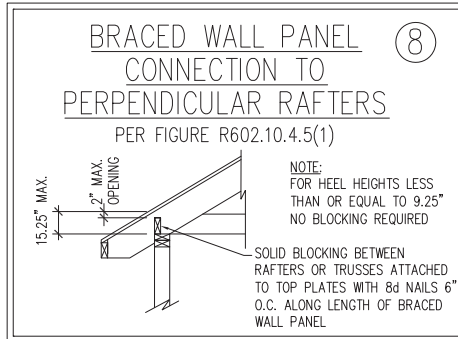
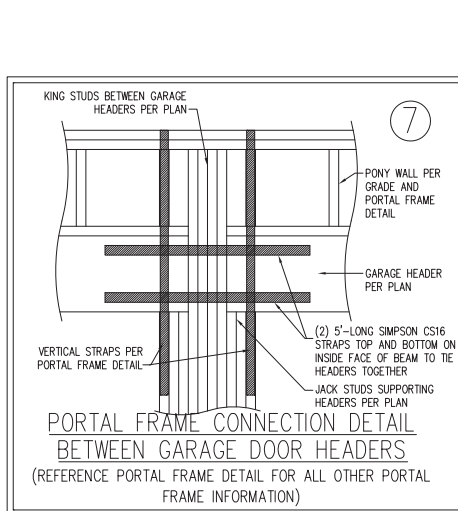
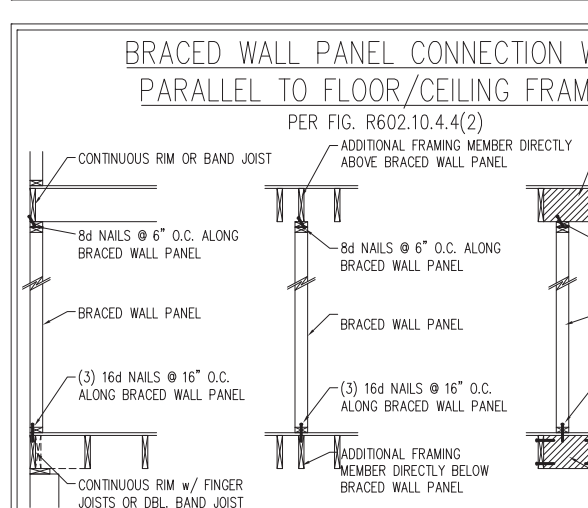
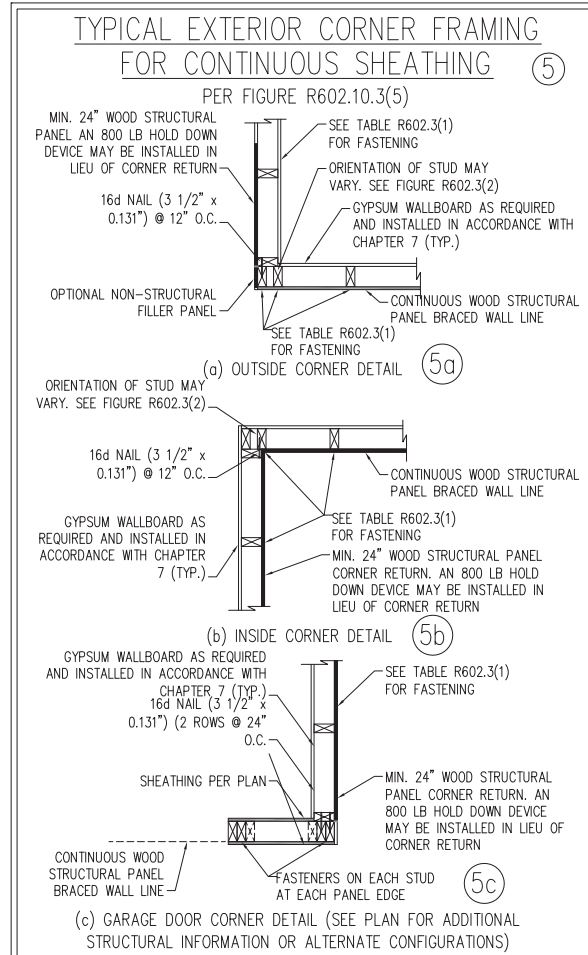
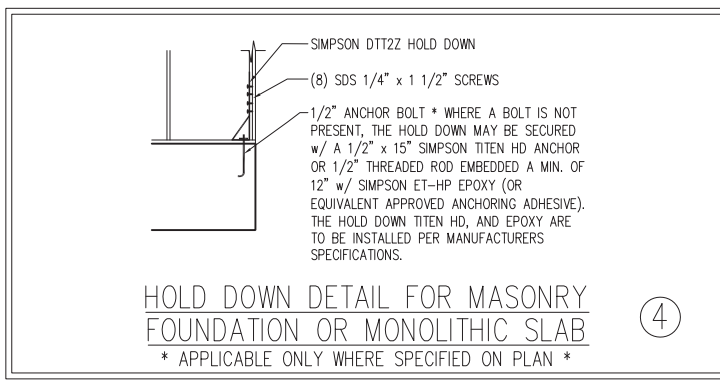
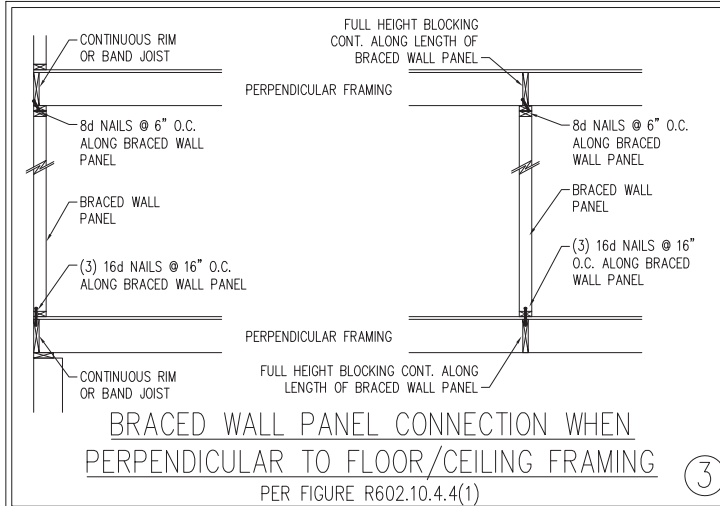
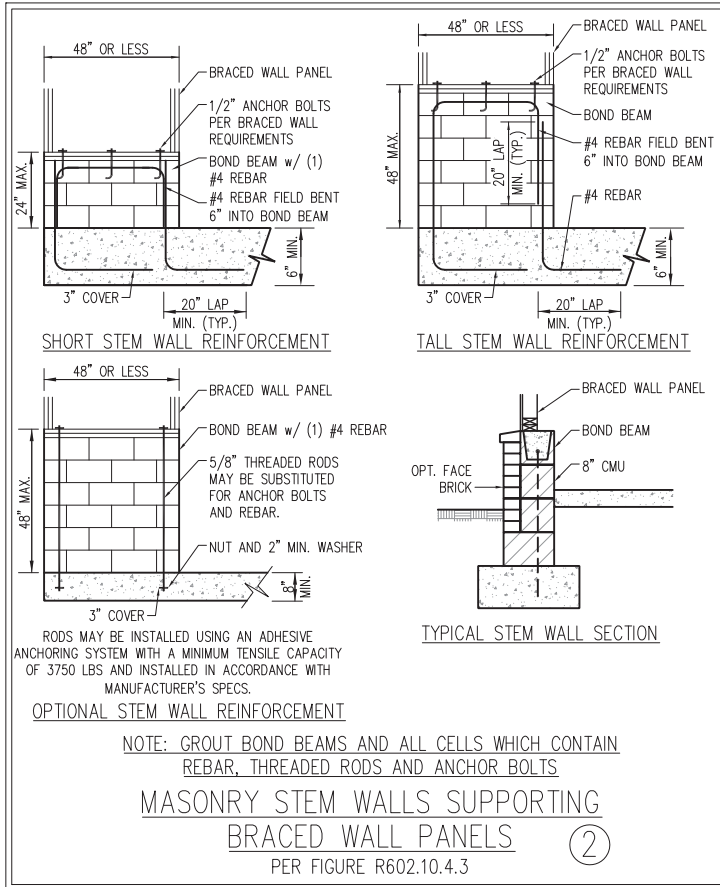
140 MPH - 150 MPH ULTIMATE DESIGN WIND SPEED
MONOLITHIC SLAB FOUNDATION DETAILS

DATE: AUGUST 30, 2022
SCALE: NTS
DRAWN BY: JST
ENGINEERED BY: JST

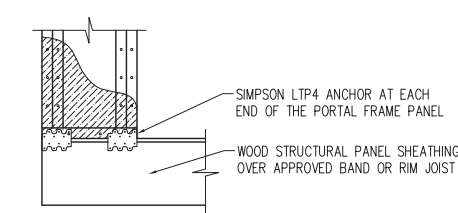
FOUNDATION DETAILS

GENERAL WALL BRACING NOTES:

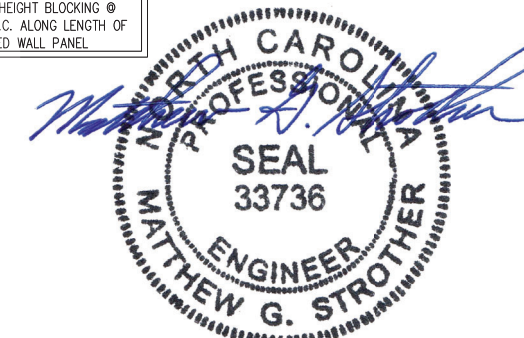
1. WALL BRACING DESIGNED IN ACCORDANCE WITH CHAPTER 6 AND CHAPTER 45 OF THE 2018 NC RESIDENTIAL BUILDING CODE (NRC). TABLES AND FIGURES REFERENCED ARE FROM THE 2018 NRC.
2. SEE THIS SHEET FOR GENERAL DETAILS. REFER TO THE 2018 NRC FOR ADDITIONAL INFORMATION AS NEEDED.
3. SEE STRUCTURAL SHEETS FOR BRACED WALL LOCATIONS, DIMENSIONS, HOLD DOWN TYPE AND LOCATIONS, AND ANY SPECIAL NOTES OR REQUIREMENTS.
4. ALL EXTERIOR WALLS ARE TO BE SHEATHED WITH 7/16" OSB WITH BLOCKING AT ALL SHEATHING JOINTS AND 8d NAILS AT 3" O.C. ALONG EDGES AND 6" O.C. IN THE FIELD UNLESS NOTED OTHERWISE.
5. SECURE ALL EXTERIOR WALL SHEATHING PANELS TO DOUBLE TOP PLATES, BAND JOISTS, AND GIRDERS WITH (2) ROWS OF 8d NAILS STAGGERED AT 3" O.C. PANELS SHALL EXTEND 12" BEYOND CONSTRUCTION JOINTS AND SHALL OVERLAP GIRDERS AND SILL PLATES THEIR FULL DEPTH.
6. ALL EXTERIOR WALLS TO BE SHEATHED ON INSIDE FACE WITH 1/2" GYPSUM BOARD PER TABLE R702.3.5 (UNO).



OVER CONCRETE OR MASONRY BLOCK FOUNDATION



METHOD PF-PORTAL FRAME DETAIL ①



This sealed page is to be used in conjunction with a full plan set engineered by J.S. Thompson Engineering, Inc. only. Use of this individual sealed page within architectural pages or shop drawings by others is a punishable offense under N.C. Statute § 89C-23

J.S. THOMPSON ENGINEERING, INC.
333 EAST SIX FORKS ROAD, SUITE 180 RALEIGH, NC 27609
PHONE: (919) 789-9919 FAX: (919) 789-9921
N.C. LICENSE NO.: C1733

140 MPH - 150 MPH ULTIMATE DESIGN WIND SPEED
WALL BRACING NOTES AND DETAILS

DATE: AUGUST 30, 2022
SCALE: NTS
DRAWN BY: JST
ENGINEERED BY: JST

D-2
BRACED WALL NOTES AND DETAILS AND PF DETAILS

4/30/2024

SCALE NOTE:
LARGE FORMAT PRINTS ARE TO SCALE AS NOTED.
11" x 17" PRINTS ARE ONE HALF THE NOTED SCALE

GENERAL NOTES

- ENGINEER'S SEAL APPLIES ONLY TO STRUCTURAL COMPONENTS INCLUDING ROOF RAFTERS, HIPS, VALLEYS, RIDGES, FLOORS, WALLS, BEAMS, HEADERS, COLUMNS, CANTILEVERS, OFFSET LOAD BEARING WALLS, PIERS, GIRDER SYSTEM AND FOOTING. ENGINEER'S SEAL DOES NOT CERTIFY DIMENSIONAL ACCURACY OF ARCHITECTURAL LAYOUT INCLUDING ROOF. ENGINEER'S SEAL DOES NOT APPLY TO I-JOIST OR FLOOR/ROOF TRUSS LAYOUT DESIGN AND ACCURACY.
- ALL CONSTRUCTION SHALL CONFORM TO THE LATEST REQUIREMENTS OF THE NORTH CAROLINA RESIDENTIAL CODE (NRCR), 2018 EDITION, PLUS ALL LOCAL CODES AND REGULATIONS. THE STRUCTURAL ENGINEER IS NOT RESPONSIBLE FOR, AND WILL NOT HAVE CONTROL OF, CONSTRUCTION MEANS, METHODS, TECHNIQUES, SEQUENCES OR PROCEDURES, OR SAFETY PRECAUTIONS AND PROGRAMS IN CONNECTION WITH THE CONSTRUCTION WORK. NOR WILL THE ENGINEER BE RESPONSIBLE FOR THE CONTRACTORS FAILURE TO CARRY OUT THE CONSTRUCTION WORK IN ACCORDANCE WITH THE CONTRACT DOCUMENTS.
- STRUCTURAL DESIGN BASED ON THE PROVISIONS OF THE NRCR, 2018 EDITION (R301.4 - R301.7)

DESIGN CRITERIA:	LIVE LOAD (PSF)	DEAD LOAD (PSF)	DEFLECTION (IN)
ATTIC WITH LIMITED STORAGE	20	10	L/240 (L/360 w/ BRITTLE FINISHES)
ATTIC WITHOUT STORAGE	10	10	L/360
DECKS	40	10	L/360
EXTERIOR BALCONIES	40	10	L/360
FIRE ESCAPES	40	10	L/360
HANDRAILS/GUARDRAILS	200	10	L/360
PASSENGER VEHICLE GARAGE	50	10	L/360
ROOMS OTHER THAN SLEEPING ROOM	40	10	L/360
SLEEPING ROOMS	30	10	L/360
STAIRS	40	10	L/360
WIND LOAD	(BASED ON TABLE R301.2(4) WIND ZONE AND EXPOSURE)		
GROUND SNOW LOAD: P _g	20 (PSF)		

- I-JOIST SYSTEMS DESIGNED WITH 12 PSF DEAD LOAD AND DEFLECTION (IN) OF L/480
- FLOOR TRUSS SYSTEMS DESIGNED WITH 15 PSF DEAD LOAD

- FOR 115 AND 120 MPH WIND ZONES, FOUNDATION ANCHORAGE IS TO COMPLY WITH SECTION R403.1.6 OF THE NRCR, 2018 EDITION. FOR 130 MPH, 140 MPH, AND 150 MPH WIND ZONES, FOUNDATION ANCHORAGE IS TO COMPLY WITH SECTION 4504 OF THE NRCR, 2018 EDITION.
- ENERGY EFFICIENCY COMPLIANCE AND INSULATION VALUES OF THE BUILDING TO BE IN ACCORDANCE WITH CHAPTER 11 OF THE NRCR, 2018 EDITION.

FOOTING AND FOUNDATION NOTES

- FOUNDATION DESIGN BASED ON A MINIMUM ALLOWABLE BEARING CAPACITY OF 2000 PSF. CONTACT GEOTECHNICAL ENGINEER IF BEARING CAPACITY IS NOT ACHIEVED.
- FOR ALL CONCRETE SLABS AND FOOTINGS, THE AREA WITHIN THE PERIMETER OF THE BUILDING ENVELOPE SHALL HAVE ALL VEGETATION, TOP SOIL AND FOREIGN MATERIAL REMOVED. FILL MATERIAL SHALL BE FREE OF VEGETATION AND FOREIGN MATERIAL. THE FILL SHALL BE COMPACTED TO ASSURE UNIFORM SUPPORT OF THE SLAB, AND EXCEPT WHERE APPROVED, THE FILL DEPTHS SHALL NOT EXCEED 24" FOR CLEAN SAND OR GRAVEL. A 4" THICK BASED COURSE CONSISTING OF CLEAN GRADED SAND OR GRAVEL SHALL BE PLACED. A BASE COURSE IS NOT REQUIRED WHERE A CONCRETE SLAB IS INSTALLED ON WELL-DRAINED OR SAND-GRAVEL MIXTURE SOILS CLASSIFIED AS GROUP 1, ACCORDING TO THE UNITED SOIL CLASSIFICATION SYSTEM IN ACCORDANCE WITH TABLE R405.1 OF THE NRCR, 2018 EDITION.
- PROPERLY DEWATER EXCAVATION PRIOR TO POURING CONCRETE WHEN BOTTOM OF CONCRETE SLAB IS AT OR BELOW WATER TABLE. IF APPLICABLE, 3/4" - 1" DEEP CONTROL JOINTS ARE TO BE SAWED WITHIN 4 TO 12 HOURS OF CONCRETE FINISHING AND WALL LOCATIONS HAVE BEEN MARKED. ADJUST WHERE NECESSARY.
- CONCRETE SHALL CONFORM TO SECTION R402.2 OF THE NRCR, 2018 EDITION. CONCRETE REINFORCING STEEL TO BE ASTM A615 GRADE 60. WELDED WIRE FABRIC TO BE ASTM A185. MAINTAIN A MINIMUM CONCRETE COVER AROUND REINFORCING STEEL OF 3" IN FOOTINGS AND 1 1/2" IN SLABS. FOR POURED CONCRETE WALLS, CONCRETE COVER FOR REINFORCING STEEL MEASURED FROM THE INSIDE FACE OF THE WALL SHALL NOT BE LESS THAN 3/4". CONCRETE COVER FOR REINFORCING STEEL MEASURED FROM THE OUTSIDE FACE OF THE WALL SHALL NOT BE LESS THAN 1 1/2" FOR #5 BARS OR SMALLER, AND NOT LESS THAN 2" FOR #6 BARS OR LARGER.
- MASONRY UNITS TO CONFORM TO ACE 530/ASCE 5/TMS 402. MORTAR SHALL CONFORM TO ASTM C270.
- THE UNSUPPORTED HEIGHT OF MASONRY PIERS SHALL NOT EXCEED FOUR TIMES THEIR LEAST DIMENSION FOR UNFILLED HOLLOW CONCRETE MASONRY UNITS AND TEN TIMES THEIR LEAST DIMENSION FOR SOLID OR SOLID FILLED PIERS. PERS MAY BE FILLED SOLID WITH CONCRETE OR TYPE M OR S MORTAR. PIERS AND WALLS SHALL BE CAPPED WITH 8" OF SOLID MASONRY.
- THE CENTER OF EACH OF THE PIERS SHALL BEAR IN THE MIDDLE THIRD OF ITS RESPECTIVE FOOTING. EACH GIRDER SHALL BEAR IN THE MIDDLE THIRD OF THE PIERS.
- ALL CONCRETE AND MASONRY FOUNDATION WALLS ARE TO BE CONSTRUCTED IN ACCORDANCE WITH THE PROVISIONS OF SECTION R404 OF THE NRCR, 2018 EDITION OR IN ACCORDANCE WITH ACI 318, ACI 332, NCMA TR68-A OR ACE 530/ASCE 5/TMS 402. MASONRY FOUNDATION WALLS ARE TO BE REINFORCED PER TABLE R404.1.1(1), R404.1.1(2), R404.1.1(3), OR R404.1.1(4) OF THE NRCR, 2018 EDITION. CONCRETE FOUNDATION WALLS ARE TO BE REINFORCED PER TABLE R404.1.1(5) OF THE NRCR, 2018 EDITION. STEP CONCRETE FOUNDATION WALLS TO 2 x 6 FRAMED WALLS AT 16" O.C. WHERE GRADE PERMITS (UNO).

This sealed page is to be used in conjunction with a full plan set engineered by J.S. Thompson Engineering, Inc. Use of this individual sealed page within architectural pages or shop drawings by others is a punishable offense under N.C. Statute § 89C-23

FRAMING NOTES

- ALL FRAMING LUMBER SHALL BE #2 SPF MINIMUM (F_b = 875 PSI, F_v = 375 PSI, E = 1600000 PSI) UNLESS NOTED OTHERWISE (UNO). ALL TREATED LUMBER SHALL BE #2 SYP MINIMUM (F_b = 975 PSI, F_v = 175 PSI, E = 1600000 PSI) UNLESS NOTED OTHERWISE (UNO).
- LAMINATED VENEER LUMBER (LVL) SHALL HAVE THE FOLLOWING MINIMUM PROPERTIES: F_b = 2600 PSI, F_v = 285 PSI, E = 1900000 PSI. LAMINATED STRAND LUMBER (LSL) SHALL HAVE THE FOLLOWING MINIMUM PROPERTIES: F_b = 2325 PSI, F_v = 310 PSI, E = 1550000 PSI. PARALLEL STRAND LUMBER (PSL) UP TO 7" DEPTH SHALL HAVE THE FOLLOWING MINIMUM PROPERTIES: F_c = 2500 PSI, E = 1800000 PSI. PARALLEL STRAND LUMBER (PSL) MORE THAN 7" DEPTH SHALL HAVE THE FOLLOWING MINIMUM PROPERTIES: F_c = 2900 PSI, E = 2000000 PSI. INSTALL ALL CONNECTIONS PER MANUFACTURER'S SPECIFICATIONS.
- STRUCTURAL STEEL SHALL CONFORM TO THE FOLLOWING ASTM SPECIFICATIONS
 - W AND WT SHAPES: ASTM A992
 - CHANNELS AND ANGLES: ASTM A36
 - PLATES AND BARS: ASTM A36
 - HOLLOW STRUCTURAL SECTIONS: ASTM A500 GRADE B
 - STEEL PIPE: ASTM A53, GRADE B, TYPE E OR S

- STEEL BEAMS SHALL BE SUPPORTED AT EACH END WITH A MINIMUM BEARING LENGTH OF 3 1/2" AND FULL FLANGE WIDTH (UNO). PROVIDE SOLID BEARING FROM BEAM SUPPORT TO FOUNDATION. BEAMS SHALL BE ATTACHED AT THE BOTTOM FLANGE TO EACH SUPPORT AS FOLLOWS (UNO):
 - WOOD FRAMING (2) 1/2" DIA. x 4" LONG LAG SCREWS
 - CONCRETE (2) 1/2" DIA. x 4" WEDGE ANCHORS
 - MASONRY (FULLY GROUTED) (2) 1/2" DIA. x 4" LONG SIMPSON TITEN HD ANCHORS
 - STEEL PIPE COLUMN (4) 3/4" DIA. A325 BOLTS OR 3/16" FILLET WELD

LATERAL SUPPORT IS CONSIDERED ADEQUATE PROVIDING THE JOISTS ARE TOE NAILED TO THE 2x NAILER ON TOP OF THE STEEL BEAM, AND THE 2x NAILER IS SECURED TO THE TOP OF THE STEEL BEAM w/ (2) ROWS OF SELF TAPPING SCREWS @ 16" O.C. OR (2) ROWS OF 1/2" DIAMETER BOLTS @ 16" O.C. IF 1/2" BOLTS ARE USED TO FASTEN THE NAILER, THE STEEL BEAM SHALL BE FABRICATED w/ (2) ROWS OF 9/16" DIAMETER HOLES @ 16" O.C.

- SQUARES DENOTE POINT LOADS WHICH REQUIRE SOLID BLOCKING TO GIRDER OR FOUNDATION. SHADED SQUARES DENOTE POINT LOADS FROM ABOVE WHICH REQUIRE SOLID BLOCKING TO SUPPORTING MEMBER BELOW.
- ALL LOAD BEARING HEADERS TO CONFORM TO TABLE R602.7(1) AND R602.7(2) OF THE NRCR, 2018 EDITION OR BE (2) 2 x 6 WITH (1) JACK AND (1) KING STUD EACH END (UNO), WHICHEVER IS GREATER ALL HEADERS TO BE SECURED TO EACH JACK STUD WITH (4) 8d NAILS. ALL BEAMS TO BE SUPPORTED WITH (2) STUDS AT EACH BEARING POINT (UNO). INSTALL KING STUDS PER SECTION R602.7.5 OF THE NORTH CAROLINA RESIDENTIAL CODE, 2018 EDITION.
- ALL BEAMS, HEADERS, OR GIRDER TRUSSES PARALLEL TO WALL ARE TO BEAR FULLY ON (1) JACK OR (2) STUDS MINIMUM OR THE NUMBER OF JACKS OR STUDS NOTED. ALL BEAMS OR GIRDER TRUSSES PERPENDICULAR TO WALL AND SUPPORTED BY (3) STUDS OR LESS ARE TO HAVE 1 1/2" MINIMUM BEARING (UNO). ALL BEAMS OR GIRDER TRUSSES PERPENDICULAR TO WALL AND SUPPORTED BY MORE THAN (3) STUDS OR OTHER NOTED COLUMN ARE TO BEAR FULLY ON SUPPORT COLUMN FOR ENTIRE WALL DEPTH (UNO). BEAM ENDS THAT BUTT INTO ONE ANOTHER ARE TO EACH BEAR EQUAL LENGTHS (UNO).
- FLITCH BEAMS SHALL BE BOLTED TOGETHER USING 1/2" DIAMETER BOLTS (ASTM A307) WITH WASHERS PLACED AT THREADED END OF BOLT. BOLTS SHALL BE SPACED AT 24" CENTERS (MAXIMUM), AND STAGGERED AT TOP AND BOTTOM OF BEAM (2" EDGE DISTANCE), WITH (2) BOLTS LOCATED AT 6" FROM EACH END (UNO).
- ALL I-JOIST OR TRUSS LAYOUTS ARE TO BE IN COMPLIANCE WITH THE OVERALL DESIGN SPECIFIED ON THE PLANS. ALL DEVIATIONS ARE TO BE BROUGHT TO THE ATTENTION OF THE ENGINEER OF RECORD PRIOR TO INSTALLATION.
- BRACED WALL PANELS SHALL BE CONSTRUCTED ACCORDING TO THE NORTH CAROLINA RESIDENTIAL CODE 2018 EDITION WALL BRACING CRITERIA. THE AMOUNT, LENGTH, AND LOCATION OF BRACING SHALL COMPLY WITH ALL APPLICABLE TABLES IN SECTION R602.10.
- PROVIDE DOUBLE JOIST UNDER ALL WALLS PARALLEL TO FLOOR JOISTS. PROVIDE SUPPORT UNDER ALL WALLS PARALLEL TO FLOOR TRUSSES OR I-JOISTS PER MANUFACTURER'S SPECIFICATIONS. INSTALL BLOCKING BETWEEN JOISTS OR TRUSSES FOR POINT LOAD SUPPORT FOR ALL POINT LOADS ALONG OFFSET LOAD LINES.
- FOR ALL HEADERS SUPPORTING BRICK VENEER THAT ARE LESS THAN 8'-0" IN LENGTH, REST A 6" x 4" x 5/16" STEEL ANGLE WITH 6" MINIMUM EMBEDMENT AT SIDES FOR BRICK SUPPORT (U.N.O). FOR ALL HEADERS 8'-0" AND GREATER IN LENGTH, BOLT A 6" x 4" x 5/16" STEEL ANGLE TO HEADER WITH 1/2" LAG SCREWS AT 12" O.C. STAGGERED FOR BRICK SUPPORT. FOR ALL BRICK SUPPORT AT ROOF LINES, BOLT A 6" x 4" x 5/16" STEEL ANGLE TO (2) 2 x 10 BLOCKING INSTALLED w/ (4) 12d NAILS EA. PLY BETWEEN WALL STUDS WITH (2) ROWS OF 1/2" LAG SCREWS AT 12" O.C. STAGGERED AND IN ACCORDANCE WITH SECTION R703.8.2.1 OF THE NRCR, 2018 EDITION.
- FOR STICK FRAMED ROOFS: CIRCLES DENOTE (3) 2 x 4 POSTS FOR ROOF MEMBER SUPPORT. HIP SPLICES ARE TO BE SPACED A MINIMUM OF 8'-0". FASTEN MEMBERS WITH THREE ROWS OF 12d NAILS AT 16" O.C. FRAME DORMER WALLS ON TOP OF DOUBLE OR TRIPLE RAFTERS AS SHOWN (UNO).
- FOR TRUSSED ROOFS: FRAME DORMER WALLS ON TOP OF 2 x 4 LADDER FRAMING AT 24" O.C. BETWEEN ADJACENT ROOF TRUSSES. STICK FRAME OVER-FRAMED ROOF SECTIONS WITH 2 x 8 RIDGES, 2 x 6 RAFTERS AT 16" O.C. AND FLAT 2 x 10 VALLEYS (UNO).
- ALL 4 x 4 AND 6 x 6 POSTS TO BE INSTALLED WITH 700 LB CAPACITY UPLIFT CONNECTORS TOP AND BOTTOM (UNO). POSTS MAY BE SECURED USING ONE SIMPSON H6 OR LTS12 UPLIFT CONNECTOR FASTENED TO THE BAND AT THE BOTTOM AND THE BEAM AT THE TOP OF EACH POST. ONE 16" SECTION OF SIMPSON CS16 COIL STRAPPING WITH (8) 8d HDG NAILS AT EACH END MAY BE USED IN LIEU OF EACH TWIST STRAP IF DESIRED. FOR MASONRY OR CONCRETE FOUNDATION USE SIMPSON POST BASE.



J.S. THOMPSON
ENGINEERING, INC
333 EAST SIX FORKS ROAD, SUITE 180, RALEIGH, NC 27609
PHONE: (919) 789-9919 FAX: (919) 789-9921
N.C. LICENSE NO.: CJ133

STANDARD STRUCTURAL NOTES

DATE: AUGUST 30, 2022
DRAWN BY: JST
ENGINEERED BY: JST

STRUCTURAL NOTES