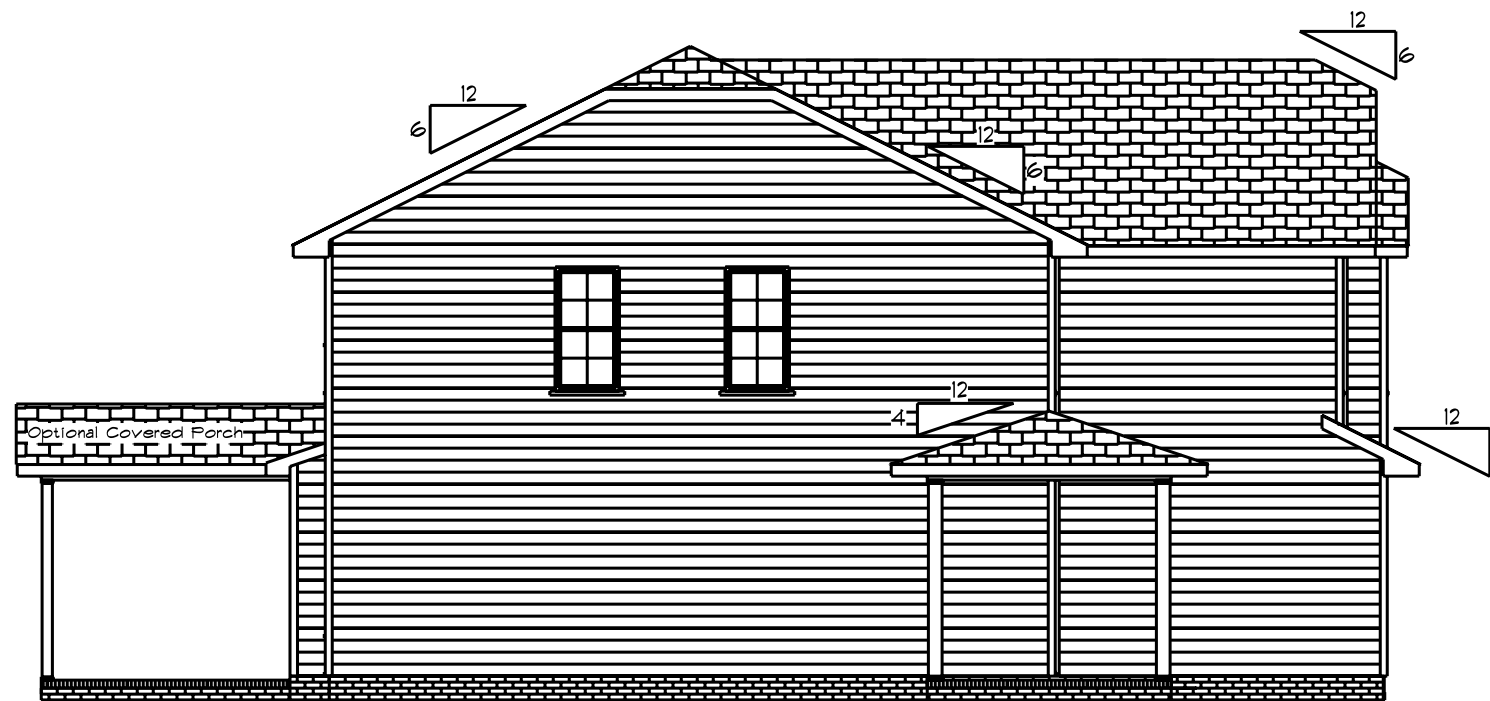




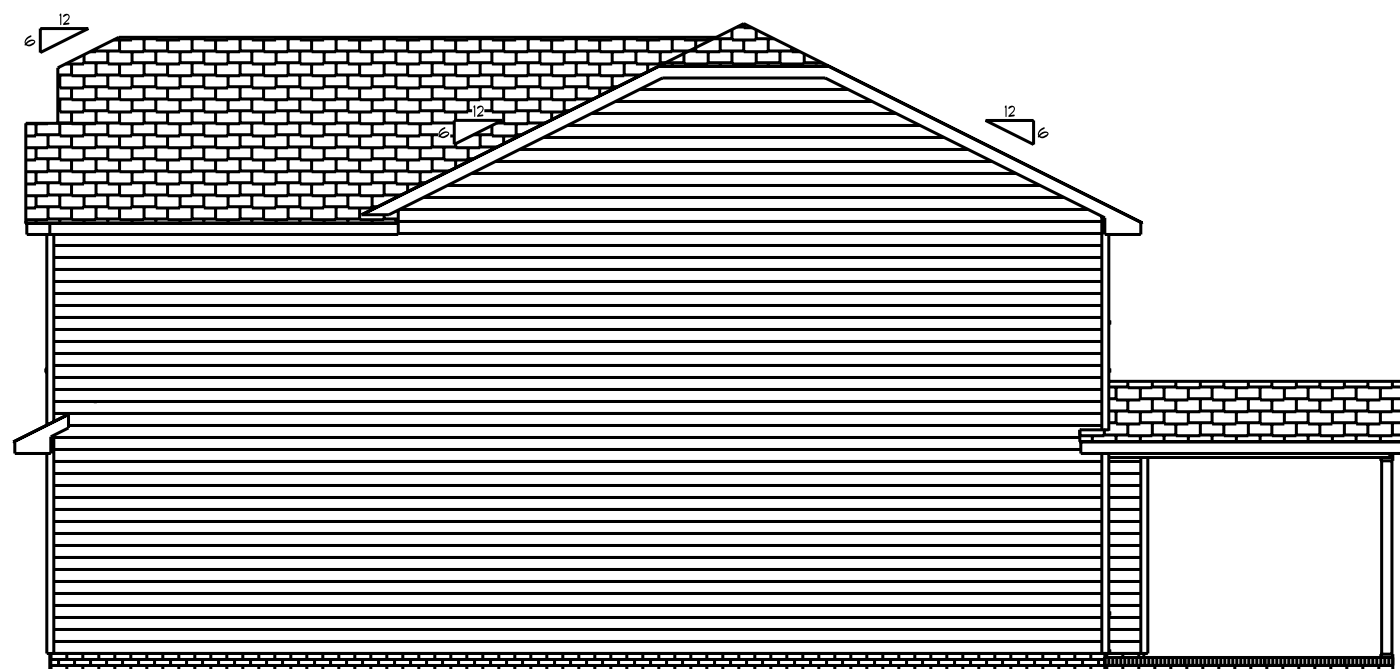
**Front Elevation**  
Scale: 1/4" = 1'0"



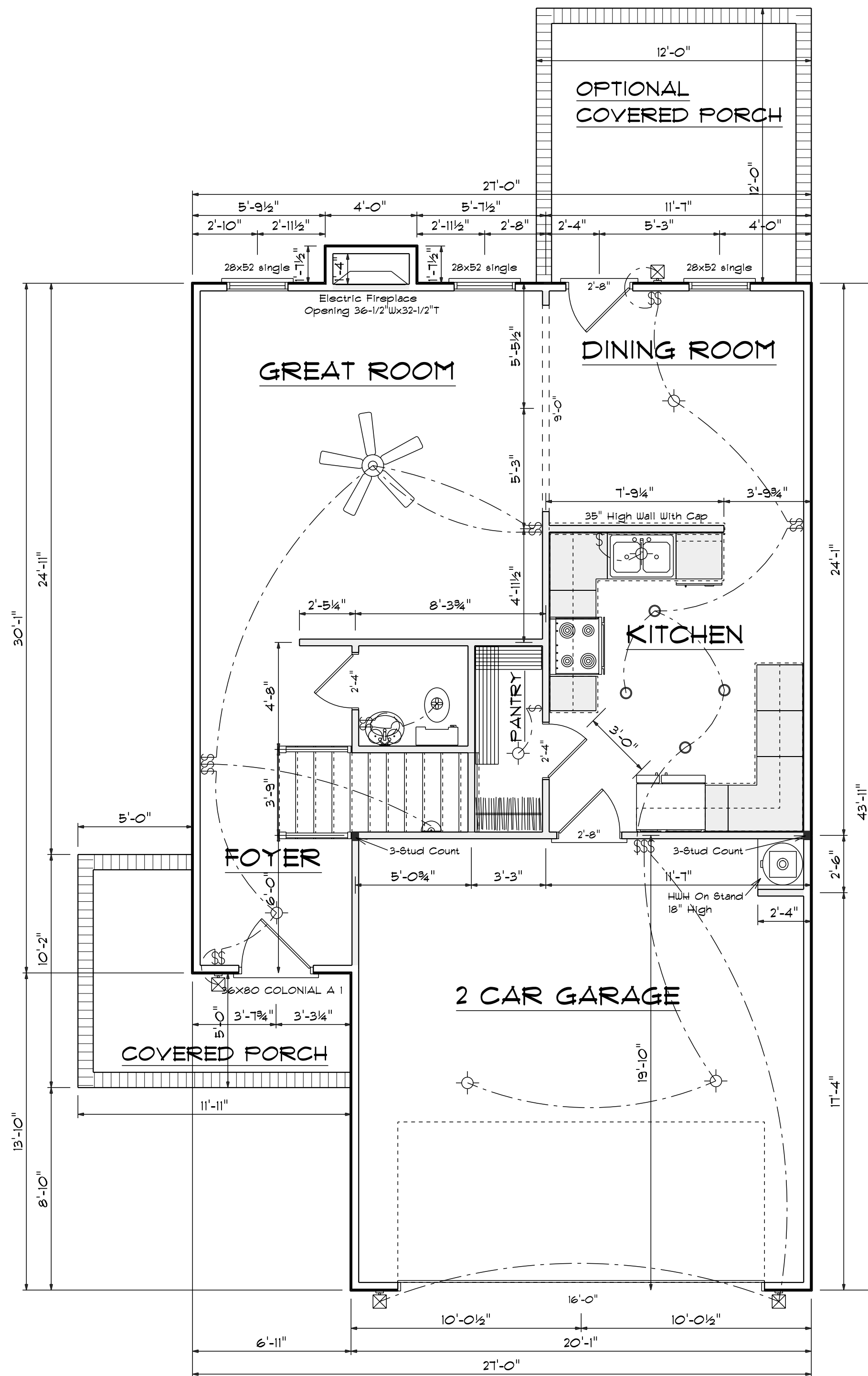
**Rear Elevation**  
Scale: 1/8" = 1'0"



**Left Elevation**  
Scale: 1/8" = 1'0"



**Right Elevation**  
Scale: 1/8" = 1'0"



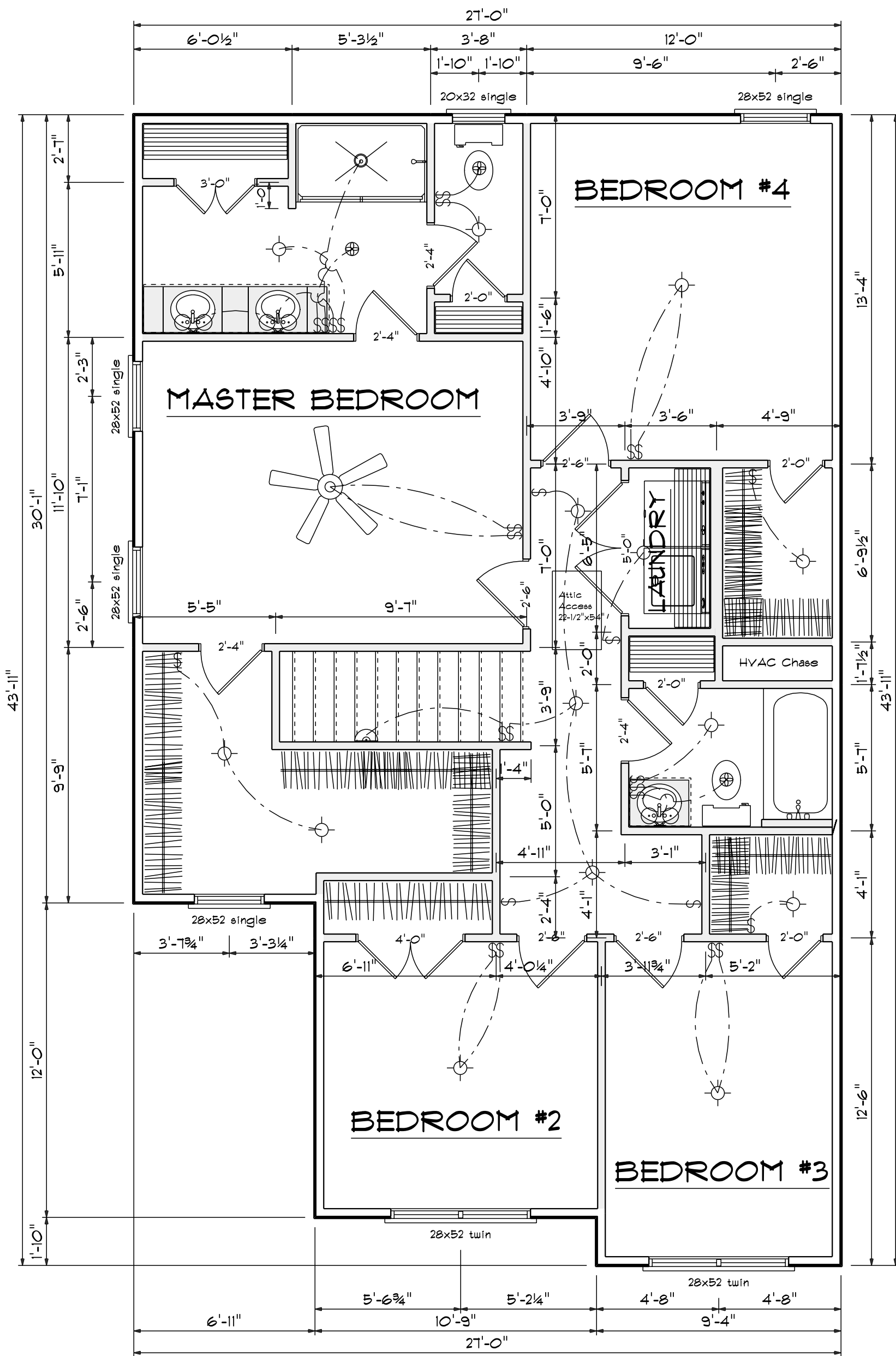
| FIRST FLOOR OPENING SCHEDULE |               |       |          |       |
|------------------------------|---------------|-------|----------|-------|
| PRODUCT CODE                 | SIZE          | HINGE | REVERSED | COUNT |
| 2-4 Door Unit                | 2'-4"         | R     | NO       | 2     |
| 2-8 Door Unit                | 2'-8"         | L     | NO       | 1     |
| 28x52 single                 | 2'-8" x 5'-2" | N     | NA       | 3     |
| 32x80 FRENCH A 1             | 2'-8"         | L     | NO       | 1     |
| 36x80 COLONIAL A 1           | 3'-0"         | R     | NO       | 1     |
| 192X84 - 8 PANEL GARAGE DR   | 16'-0"        | U     | NO       | 1     |

### Areas

First Floor 700  
 Second Floor 1036  
 =====  
 Total Heated 1736  
 Garage 395  
 Front Porch 85  
 Optional Porch 144

## First Floor Plan

Scale: 1/4" = 1'-0"



## Second Floor Plan

Scale: 1/4" = 1'-0"

| SECOND FLOOR OPENING SCHEDULE |               |       |          |       |
|-------------------------------|---------------|-------|----------|-------|
| PRODUCT CODE                  | SIZE          | HINGE | REVERSED | COUNT |
| 2-0 Door Unit                 | 2'-0"         | L     | NO       | 2     |
| 2-0 Door Unit                 | 2'-0"         | R     | NO       | 2     |
| 2-4 Door Unit                 | 2'-4"         | L     | NO       | 2     |
| 2-4 Door Unit                 | 2'-4"         | R     | NO       | 2     |
| 2-6 Door Unit                 | 2'-6"         | L     | NO       | 3     |
| 2-6 Door Unit                 | 2'-6"         | R     | NO       | 1     |
| 3-0 Doublehung Door Unit      | 3'-0"         | LR    | NO       | 1     |
| 4-0 Doublehung Door Unit      | 4'-0"         | LR    | NO       | 1     |
| 5-0 Doublehung Door Unit      | 5'-0"         | LR    | NO       | 1     |
| 20x32 single                  | 2'-0" x 3'-2" | N     | NA       | 1     |
| 28x52 single                  | 2'-8" x 5'-2" | N     | NA       | 4     |
| 28x52 twin                    | 5'-4" x 5'-2" | NN    | NA       | 2     |

Plan #12

SCALE: 1/4"

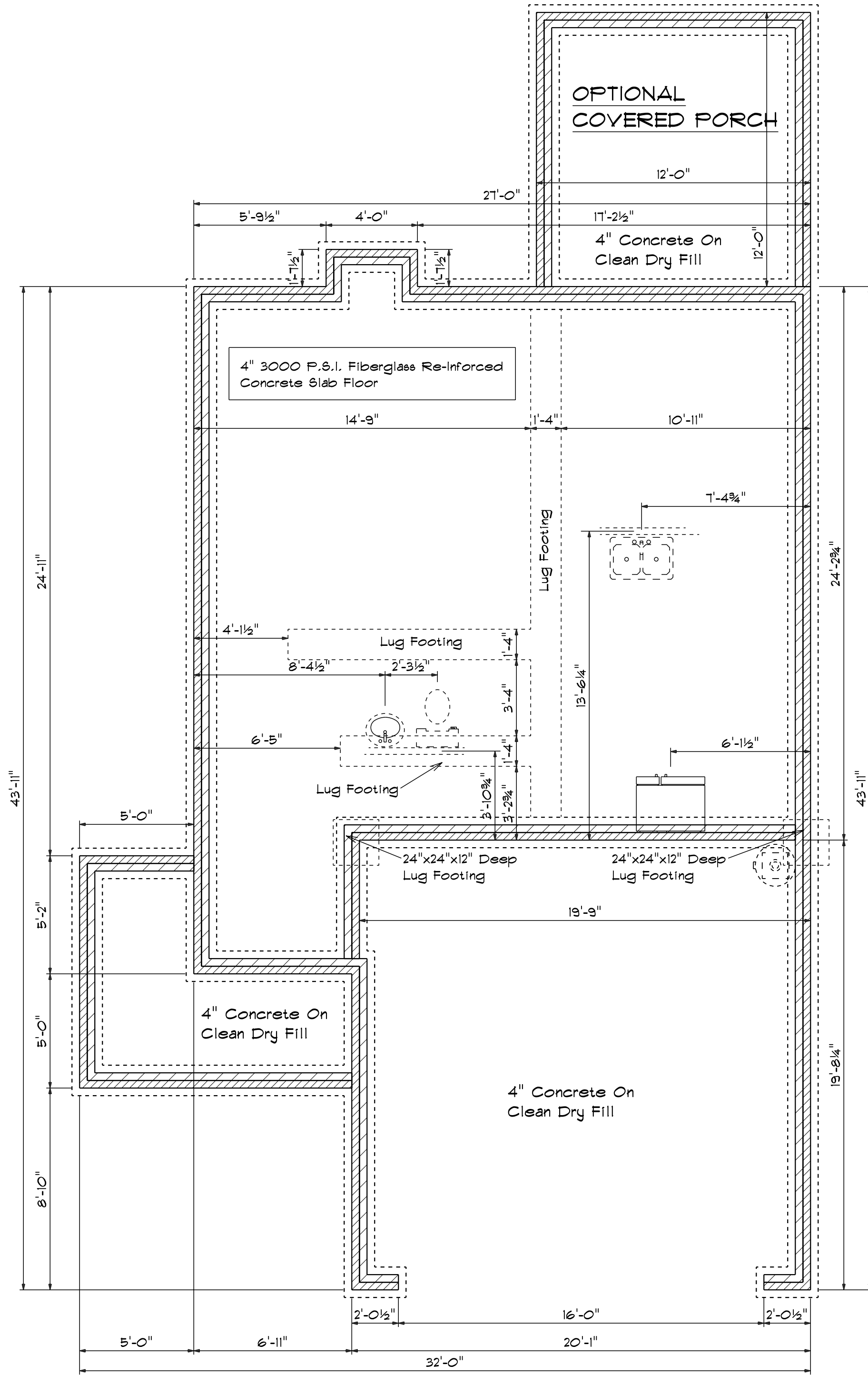
DRAWN BY

APPROVED

DATE: 9/23/2024

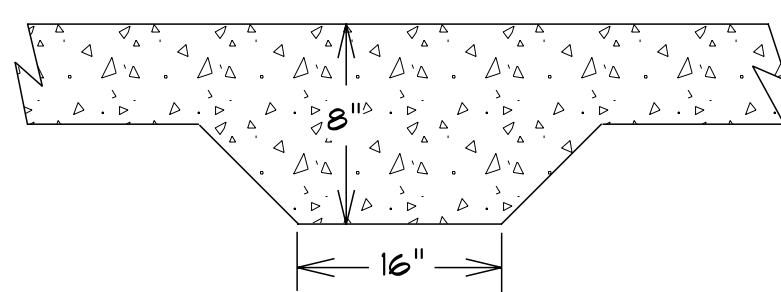
REVISED

DRAWING#

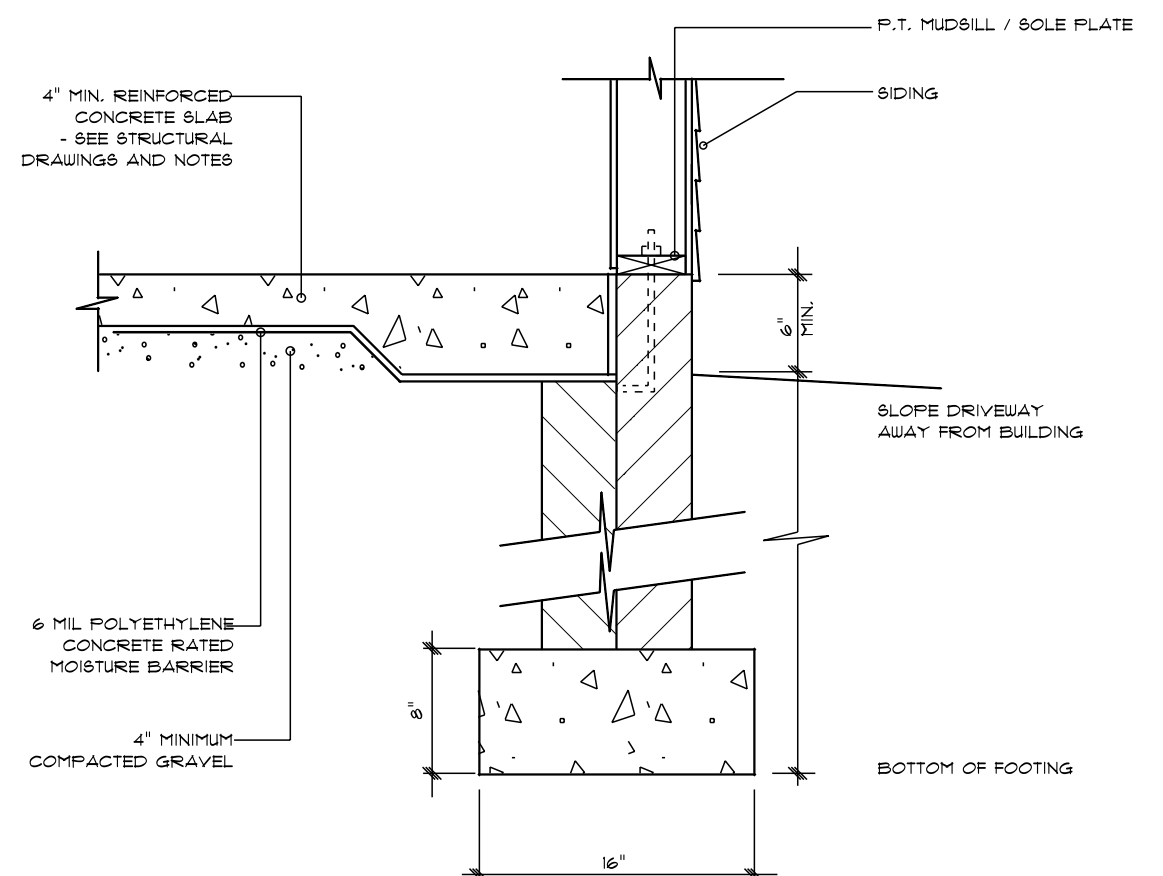


## Foundation Plan

Scale: 1/4" = 1'-0"



LUG FOOTING DETAIL



STEM WALL FOOTING DETAIL

Plan #12

SCALE: 1/4"

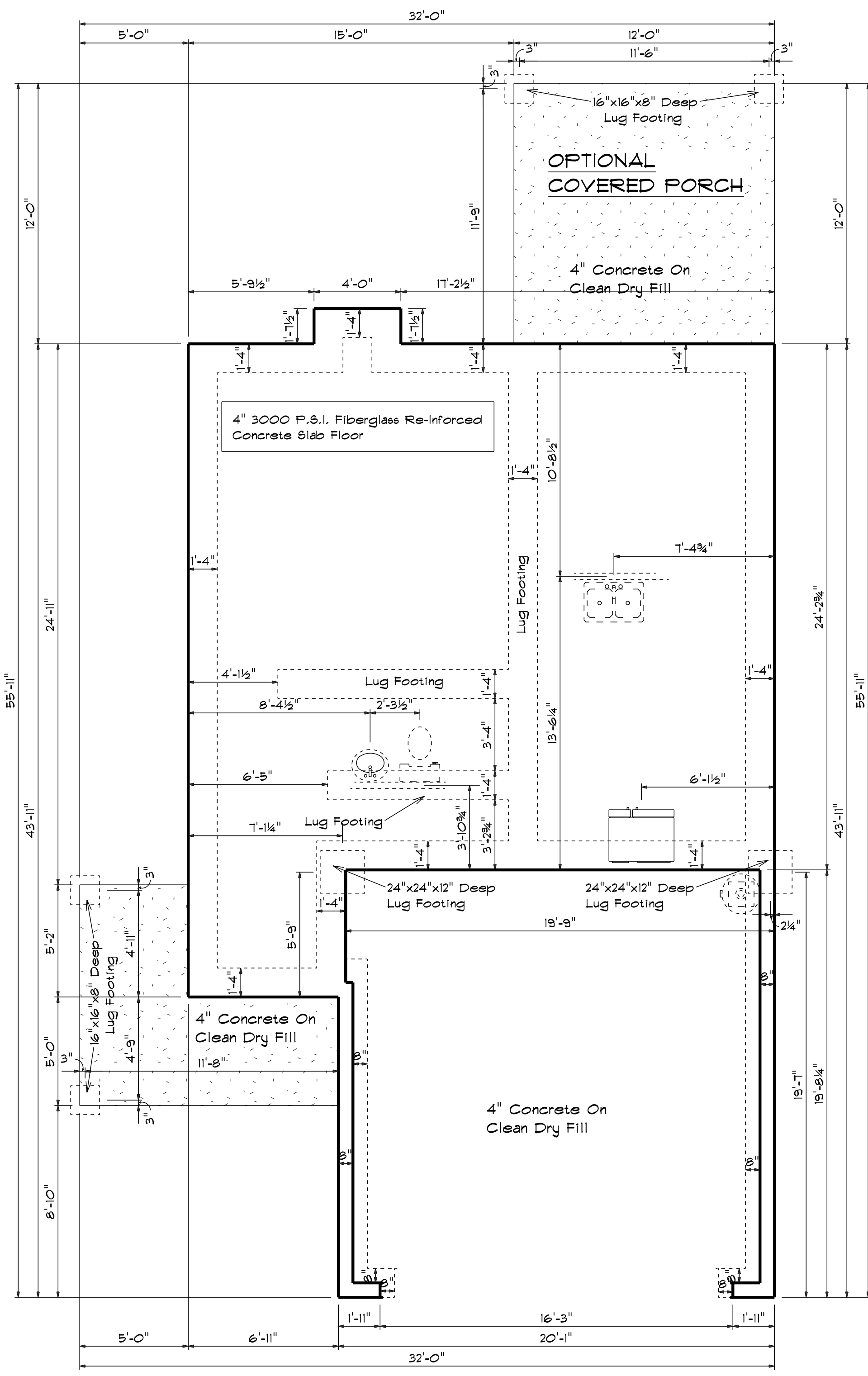
DRAWN BY

APPROVED

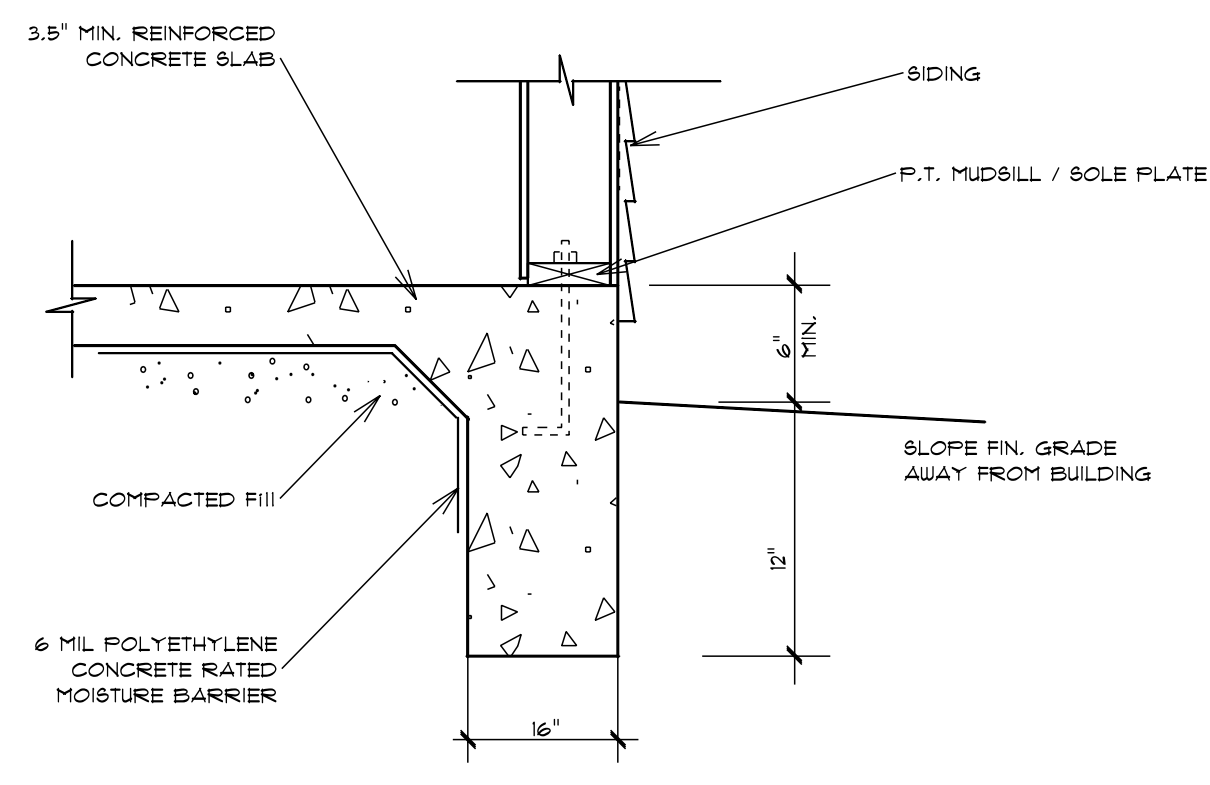
DATE: 9/23/2024

REVISED

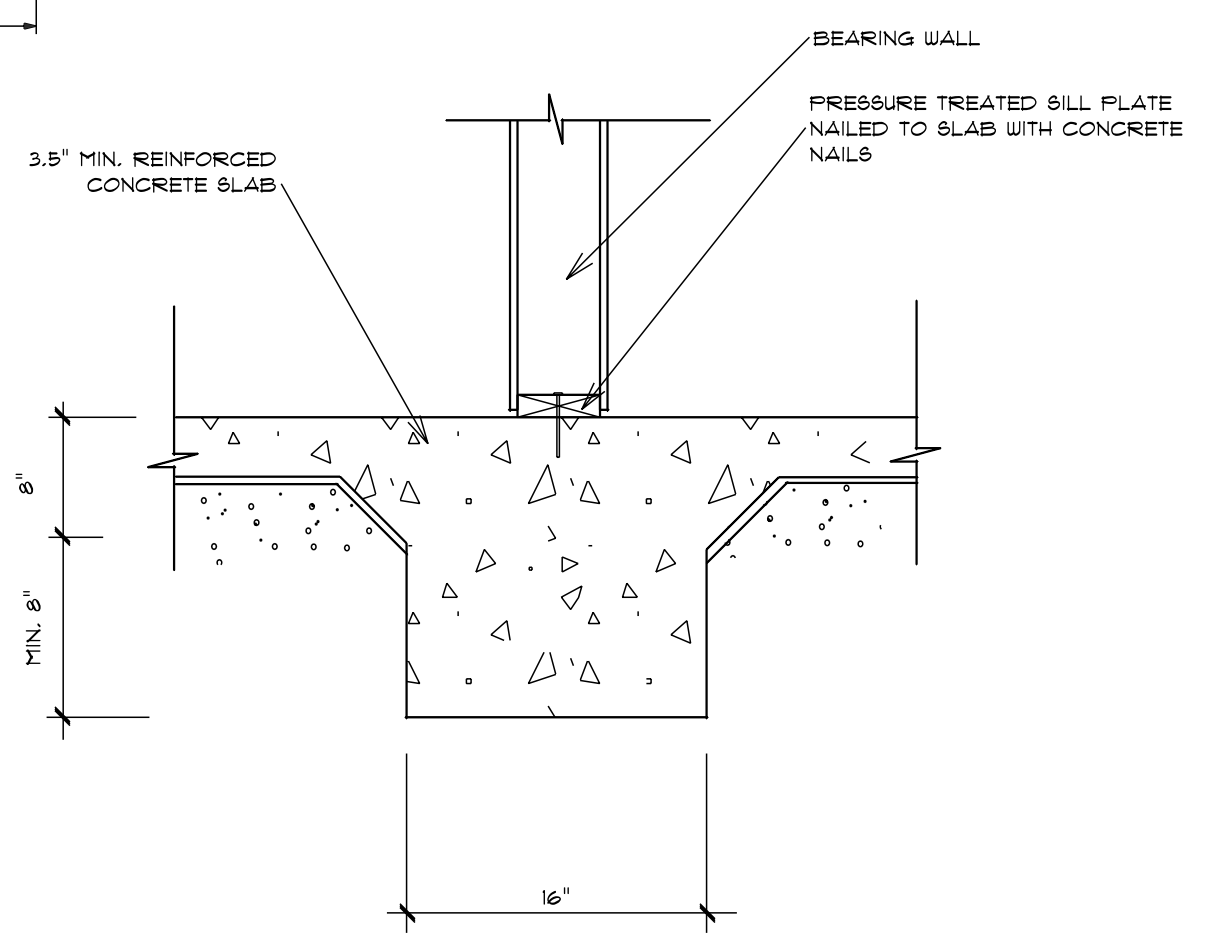
DRAWING\*



**Foundation Plan**  
Scale: 1/4" = 1'-0"



**TURN-DOWN FOOTING DETAIL**



**INTEGRAL SLAB FOOTING DETAIL AT BEARING WALL**

Plan #12

SCALE: 1/4"  
DRAWN BY  
APPROVED

DATE: 9/23/2024  
REVISED  
DRAWING#