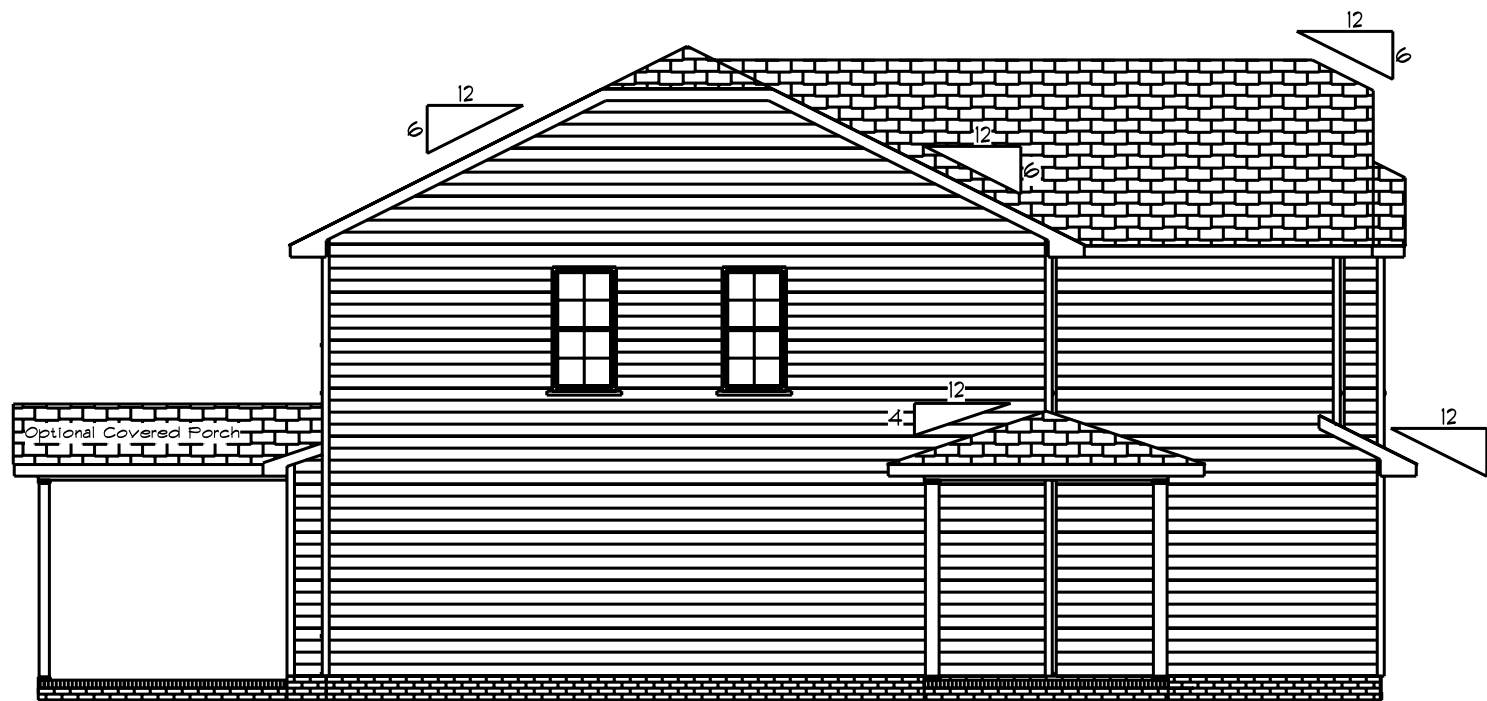




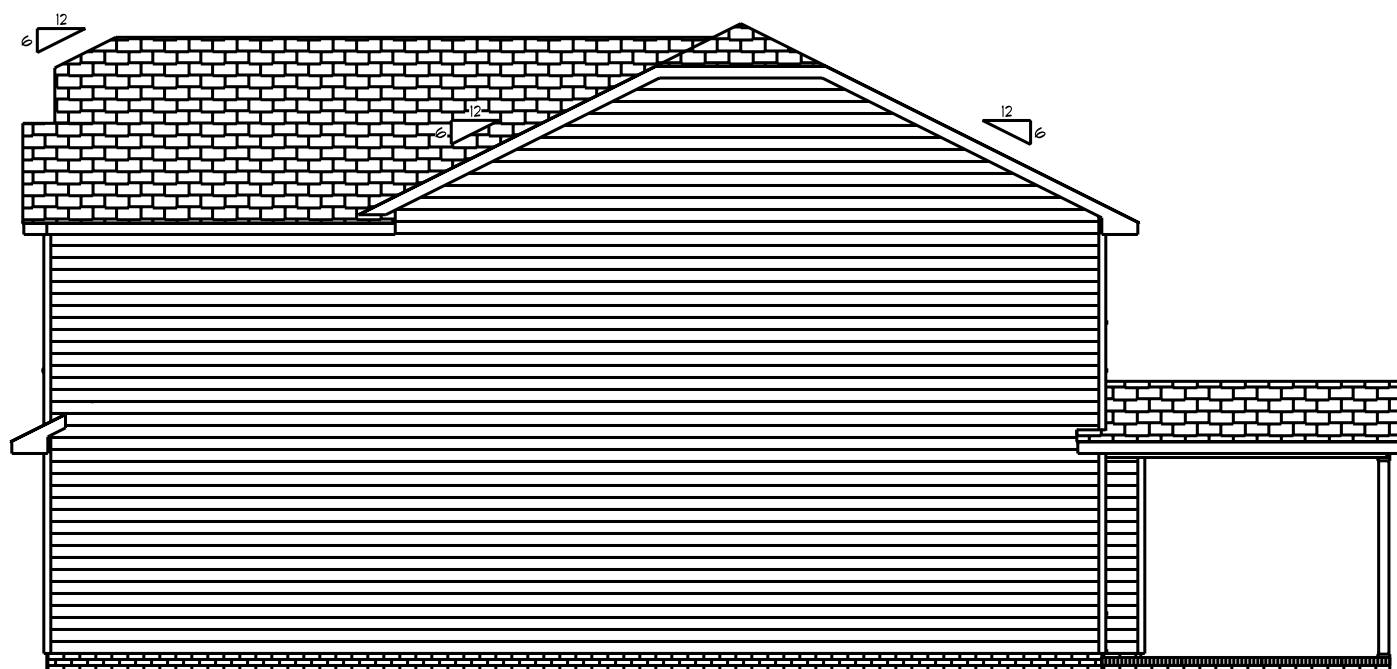
Front Elevation
Scale: 1/4" = 1'0"



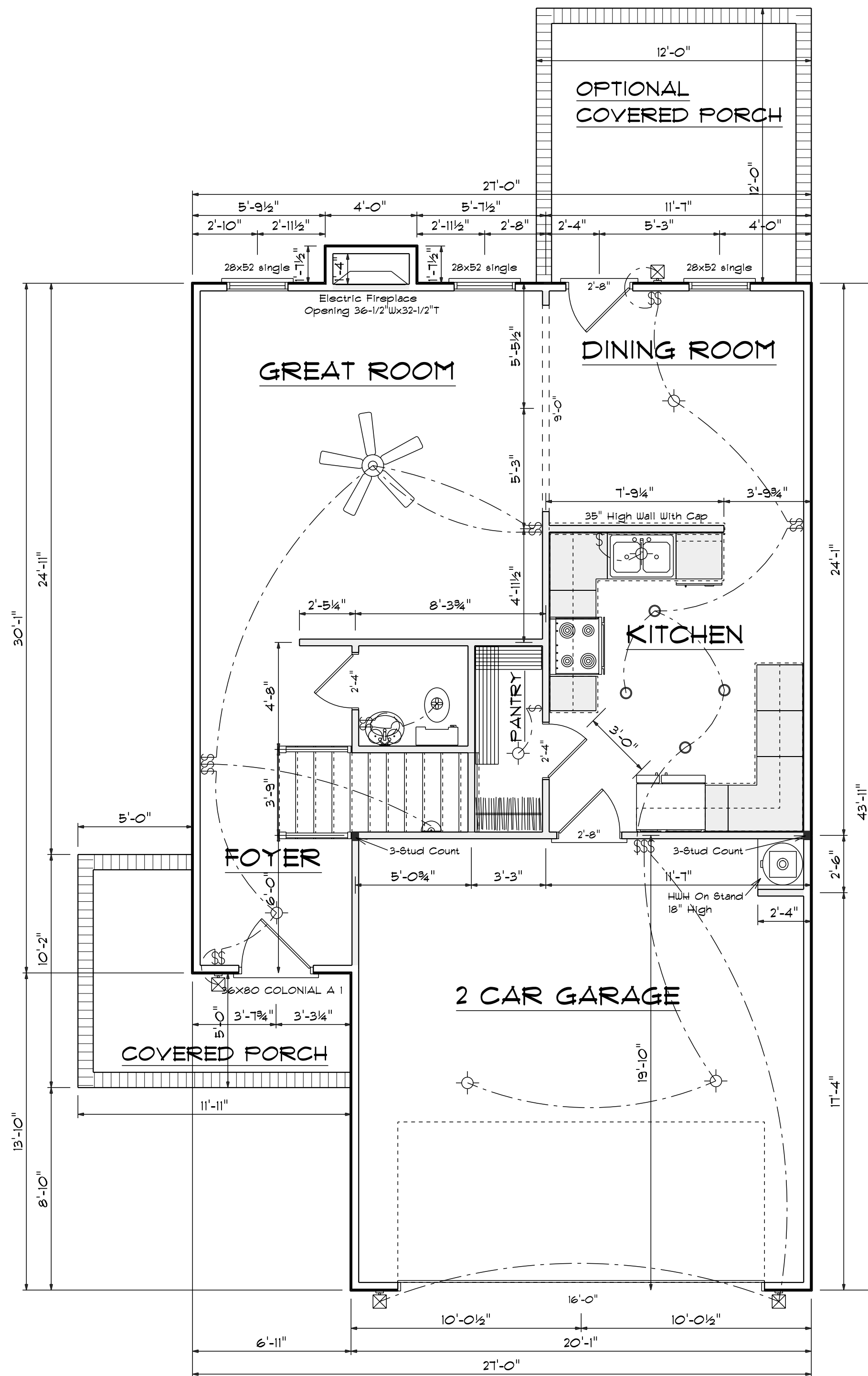
Rear Elevation
Scale: 1/8" = 1'0"



Left Elevation
Scale: 1/8" = 1'0"



Right Elevation
Scale: 1/8" = 1'0"



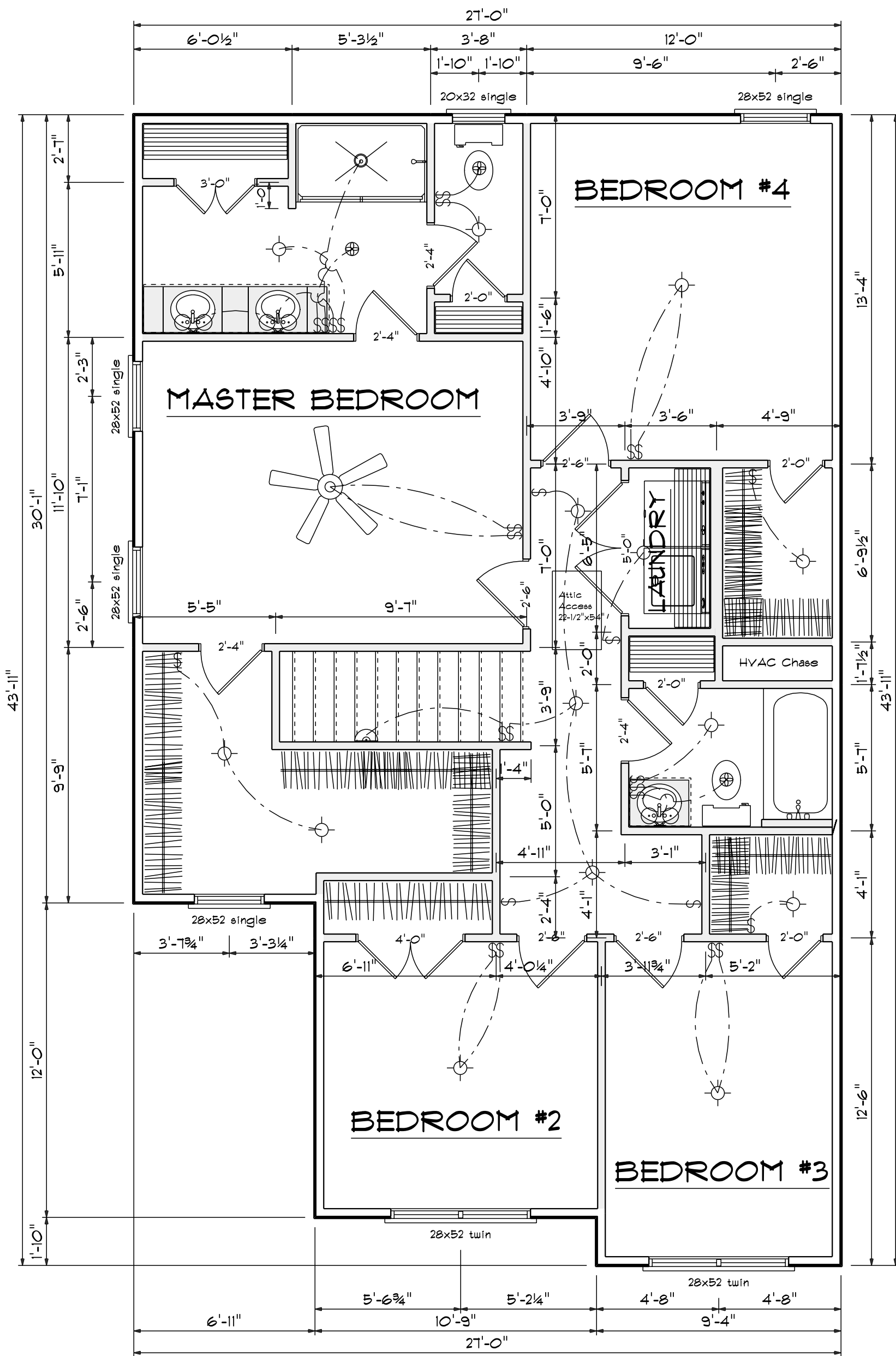
FIRST FLOOR OPENING SCHEDULE				
PRODUCT CODE	SIZE	HINGE	REVERSED	COUNT
2-4 Door Unit	2'-4"	R	NO	2
2-8 Door Unit	2'-8"	L	NO	1
28x52 single	2'-8" x 5'-2"	N	NA	3
32X80 FRENCH A 1	2'-8"	L	NO	1
36X80 COLONIAL A 1	3'-0"	R	NO	1
192X84 - 8 PANEL GARAGE DR	16'-0"	U	NO	1

Areas

First Floor 700
 Second Floor 1036
 =====
 Total Heated 1736
 Garage 395
 Front Porch 85
 Optional Porch 144

First Floor Plan

Scale: 1/4" = 1'-0"



Second Floor Plan

Scale: 1/4" = 1'-0"

SECOND FLOOR OPENING SCHEDULE				
PRODUCT CODE	SIZE	HINGE	REVERSED	COUNT
2-0 Door Unit	2'-0"	L	NO	2
2-0 Door Unit	2'-0"	R	NO	2
2-4 Door Unit	2'-4"	L	NO	2
2-4 Door Unit	2'-4"	R	NO	2
2-6 Door Unit	2'-6"	L	NO	3
2-6 Door Unit	2'-6"	R	NO	1
3-0 Doublehung Door Unit	3'-0"	LR	NO	1
4-0 Doublehung Door Unit	4'-0"	LR	NO	1
5-0 Doublehung Door Unit	5'-0"	LR	NO	1
20x32 single	2'-0" x 3'-2"	N	NA	1
28x52 single	2'-8" x 5'-2"	N	NA	4
28x52 twin	5'-4" x 5'-2"	NN	NA	2

Plan #12

SCALE: 1/4"

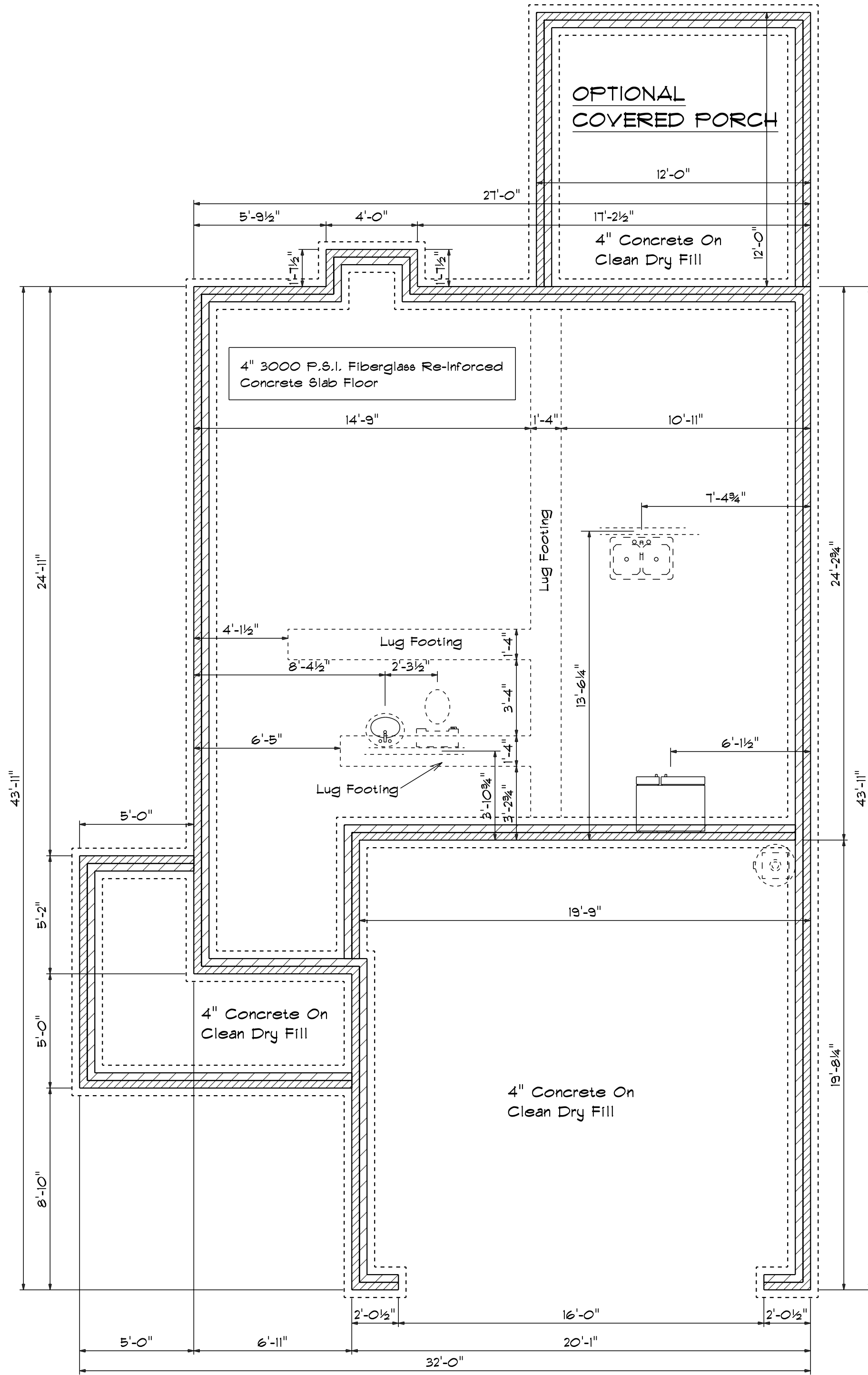
DRAWN BY

APPROVED

DATE: 8/21/2024

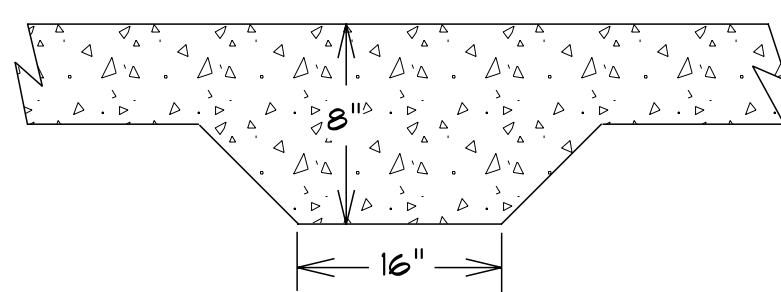
REVISED

DRAWING#

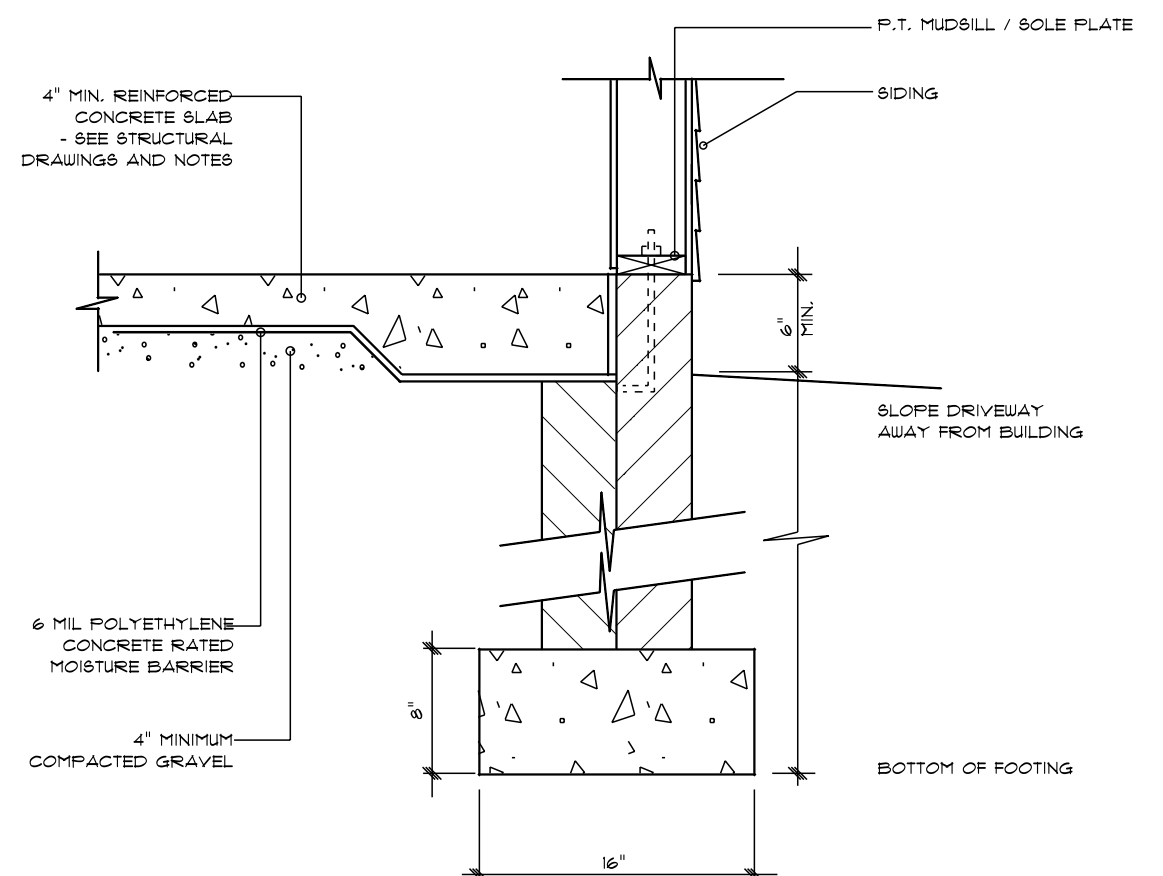


Foundation Plan

Scale: 1/4" = 1'-0"



LUG FOOTING DETAIL



STEM WALL FOOTING DETAIL

Plan #12

SCALE: 1/4"

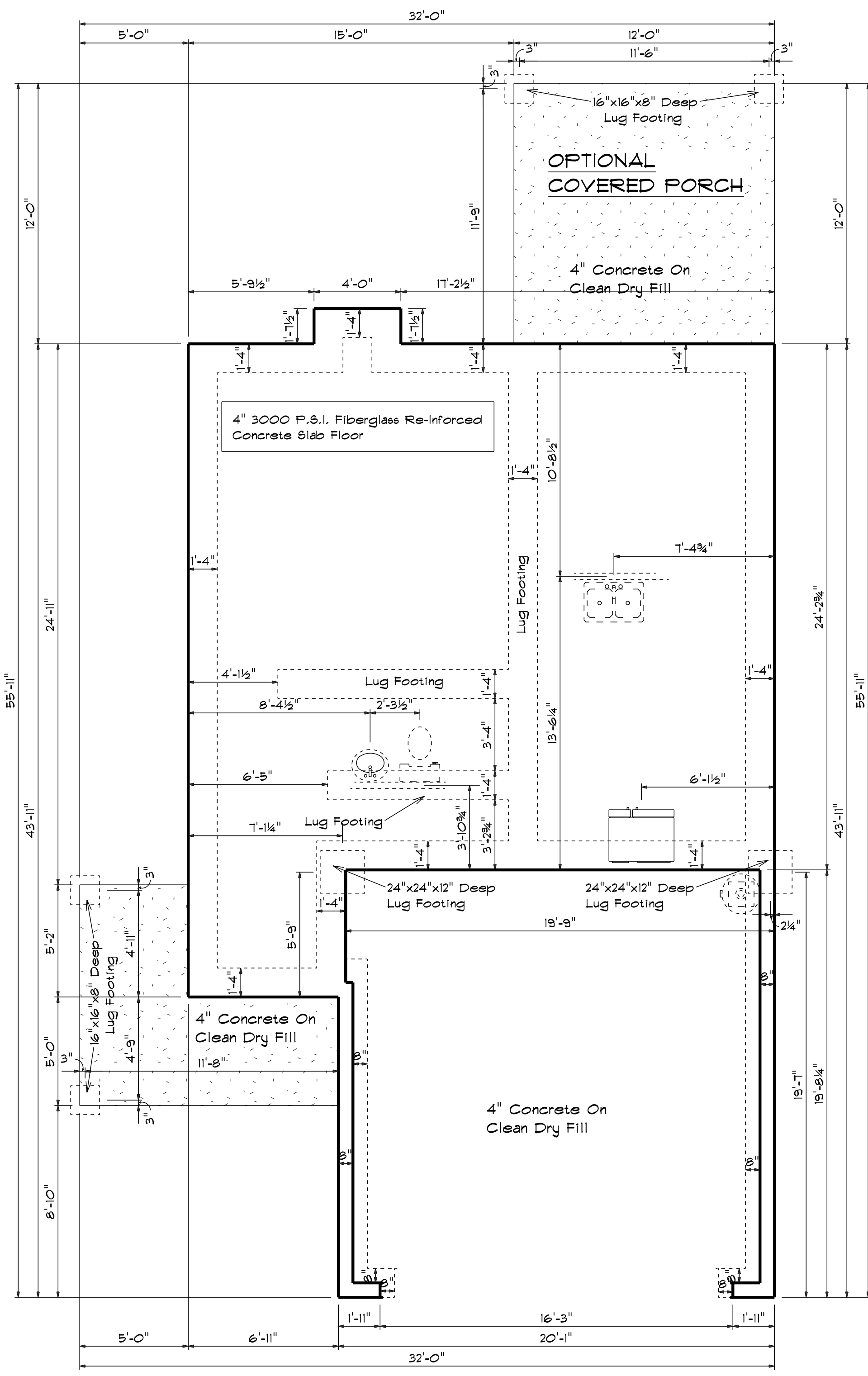
DRAWN BY

APPROVED

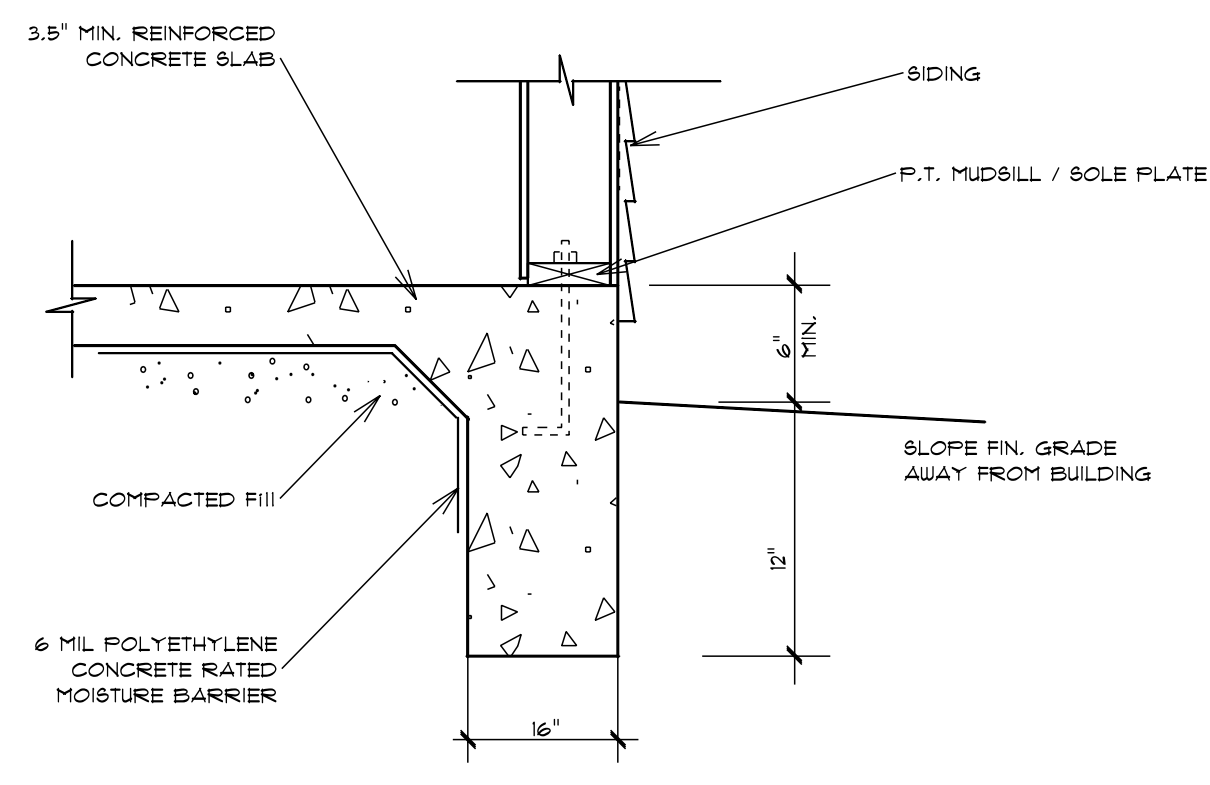
DATE: 8/21/2024

REVISED

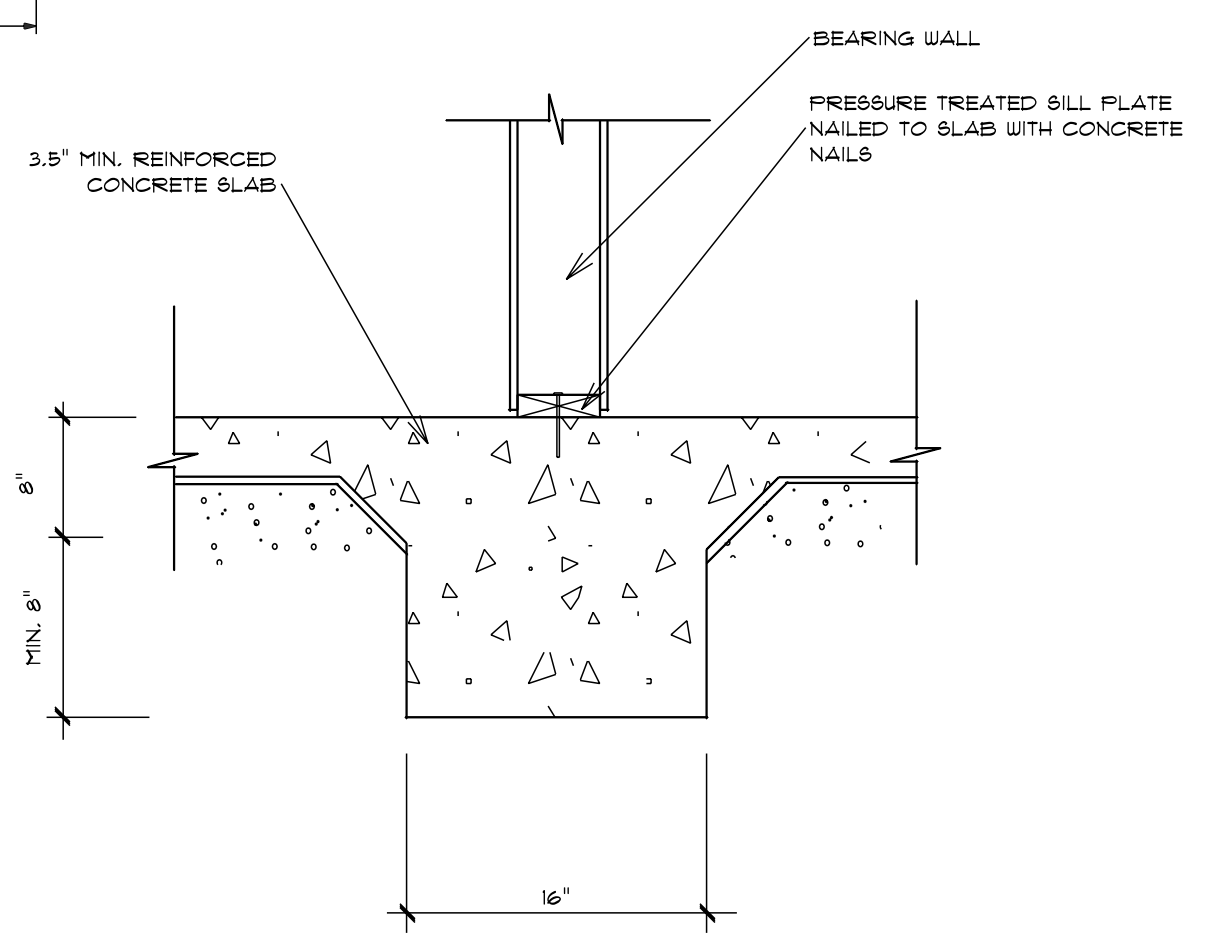
DRAWING*



Foundation Plan
Scale: 1/4" = 1'-0"



TURN-DOWN FOOTING DETAIL



INTEGRAL SLAB FOOTING DETAIL AT BEARING WALL

Plan #12

SCALE: 1/4"
DRAWN BY
APPROVED

DATE: 8/21/2024
REVISED
DRAWING#