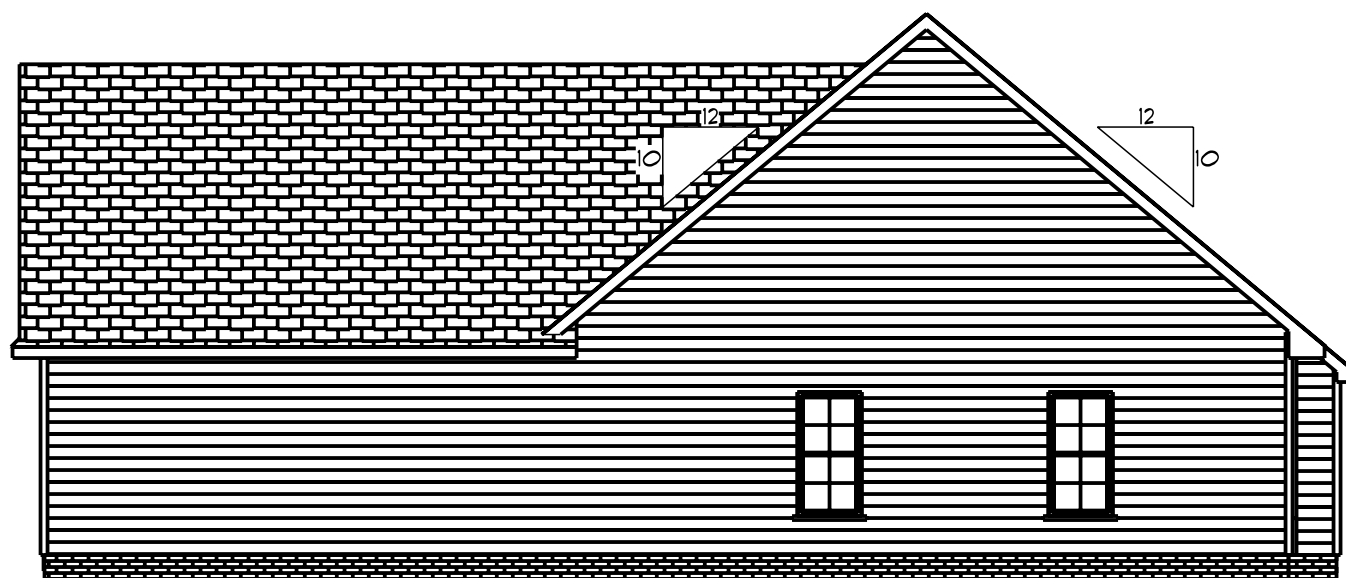




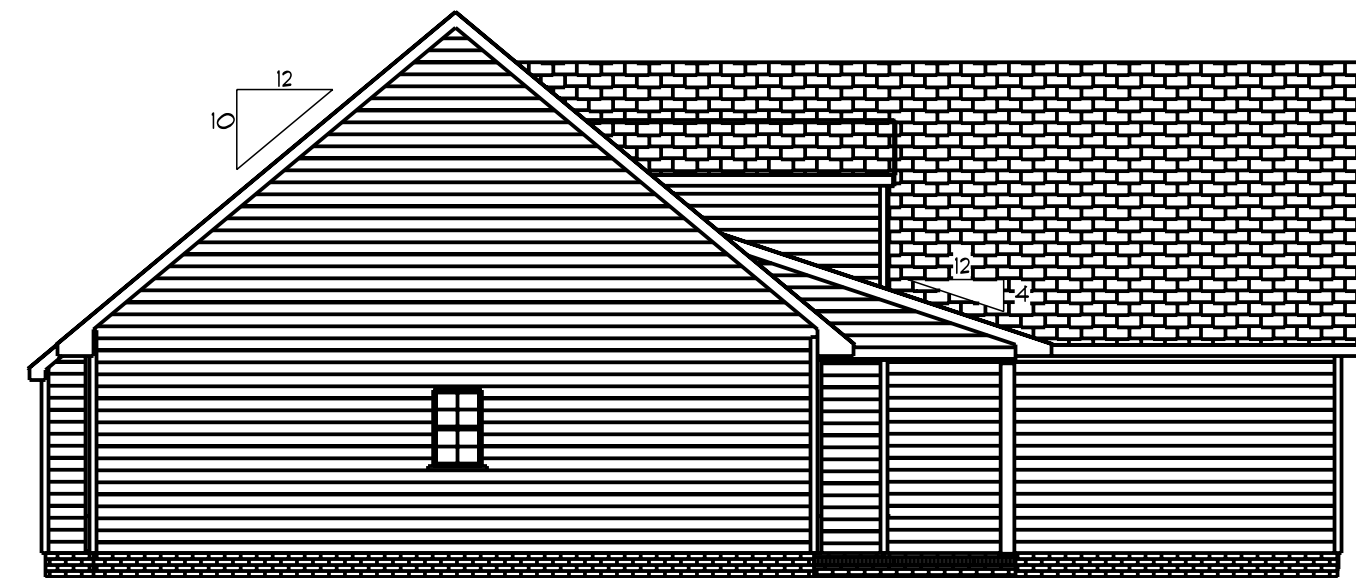
Front Elevation
Scale: 1/4" = 1'0"



Rear Elevation
Scale: 1/8" = 1'0"



Right Elevation
Scale: 1/8" = 1'0"



Left Elevation
Scale: 1/8" = 1'0"

DATE: 10/3/2023

REVISED

DRAWING#

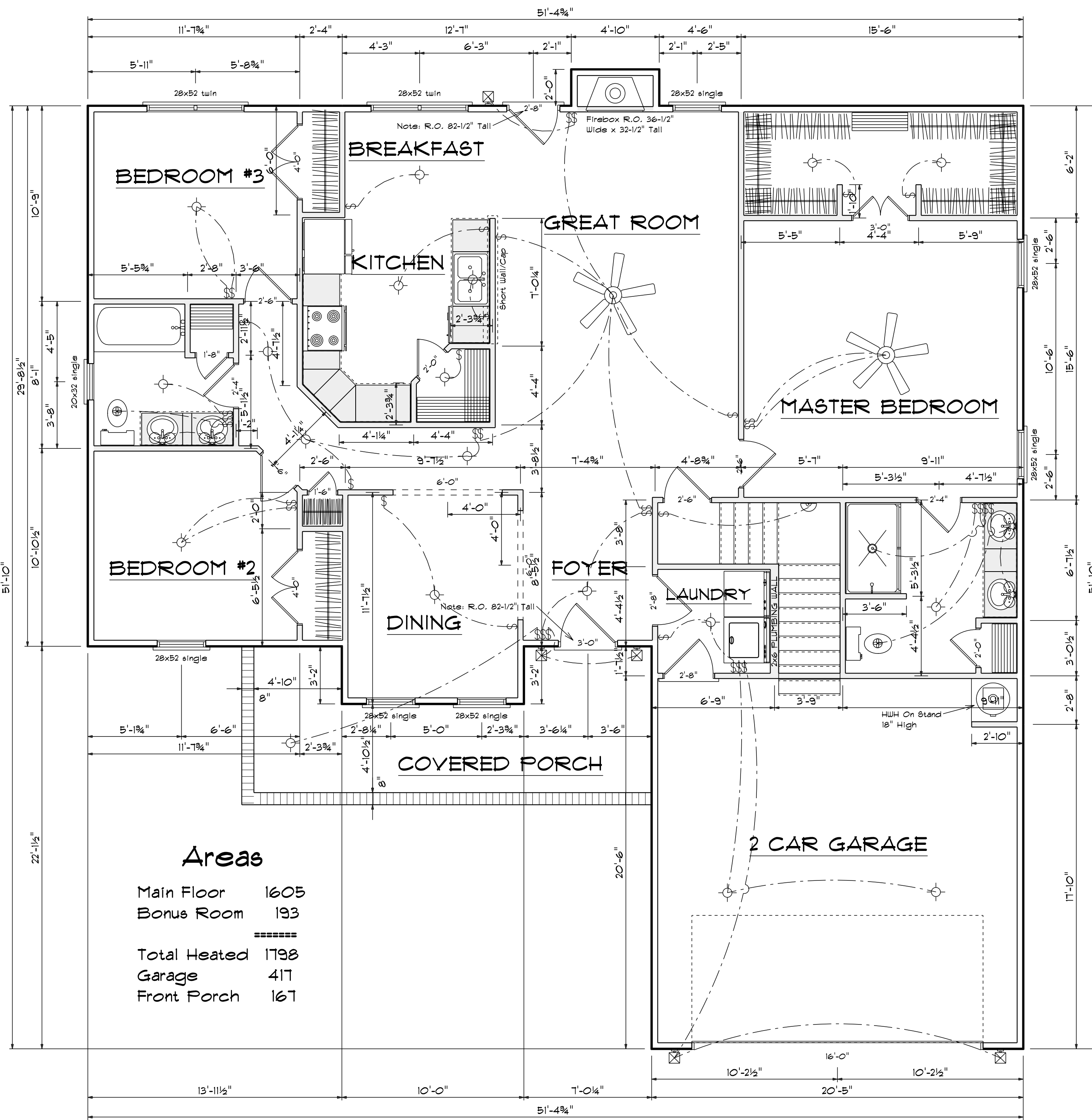
SCALE: 1/4"

DRAWN BY

APPROVED

Plan# 8

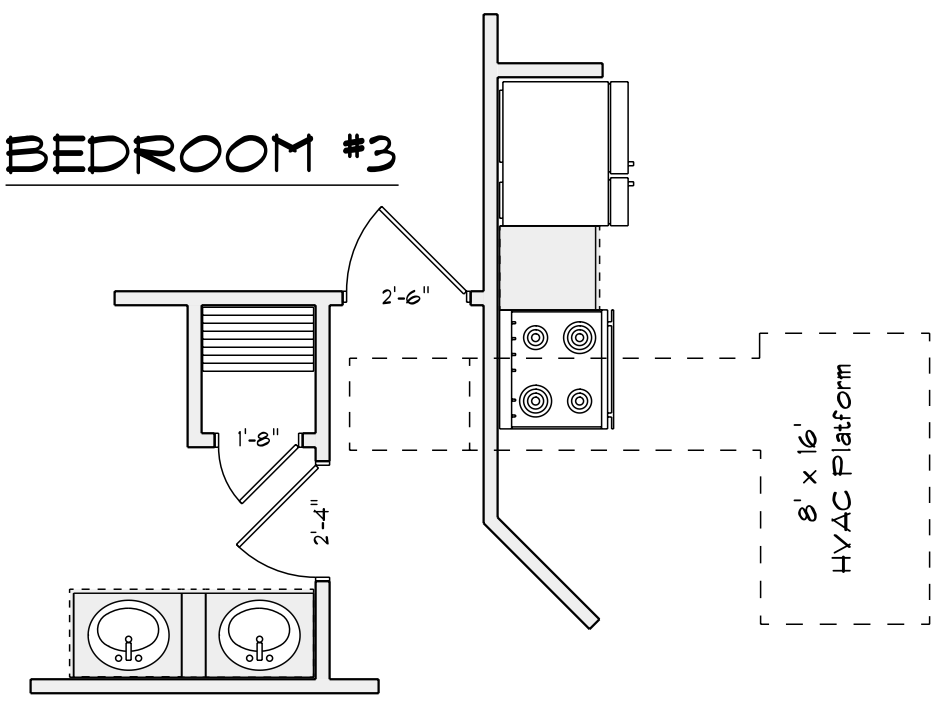




Areas

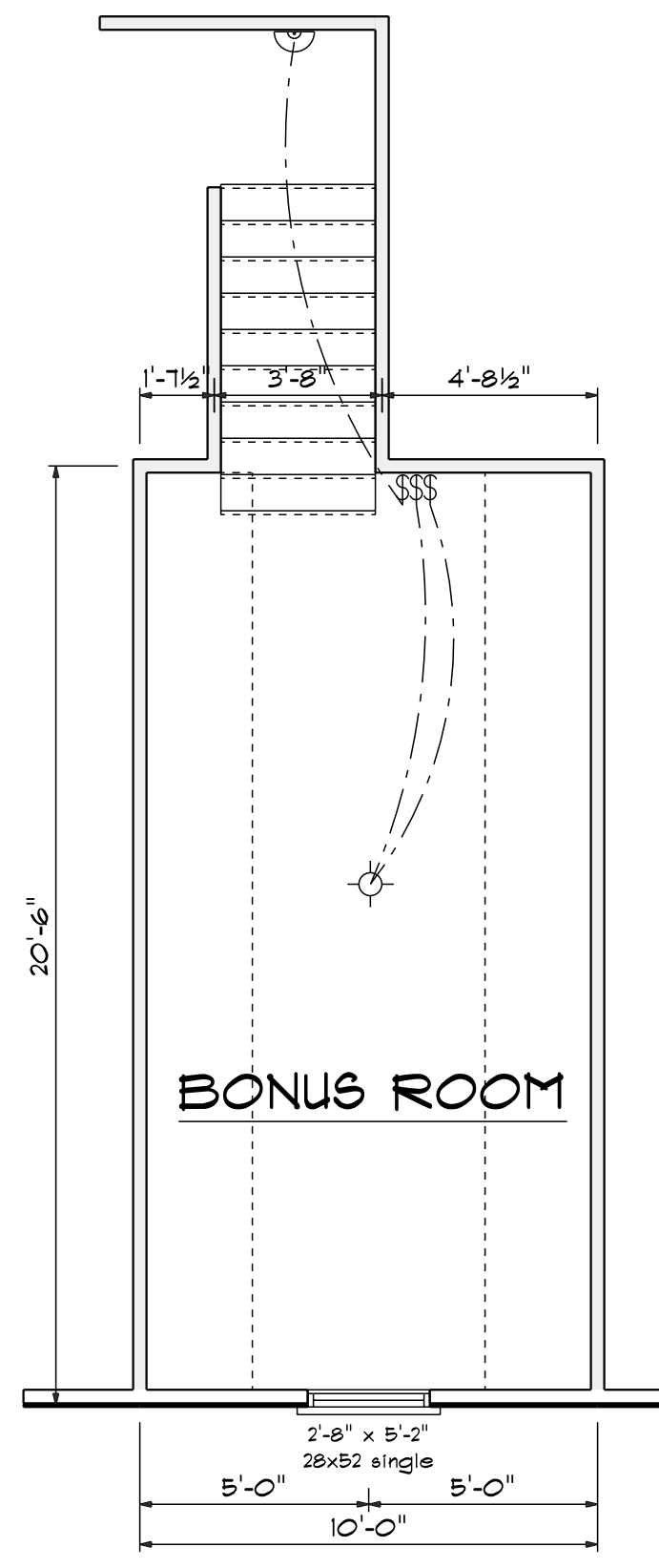
Main Floor	1605
Bonus Room	193
=====	
Total Heated	1798
Garage	417
Front Porch	167

BEDROOM #3



Floor Plan

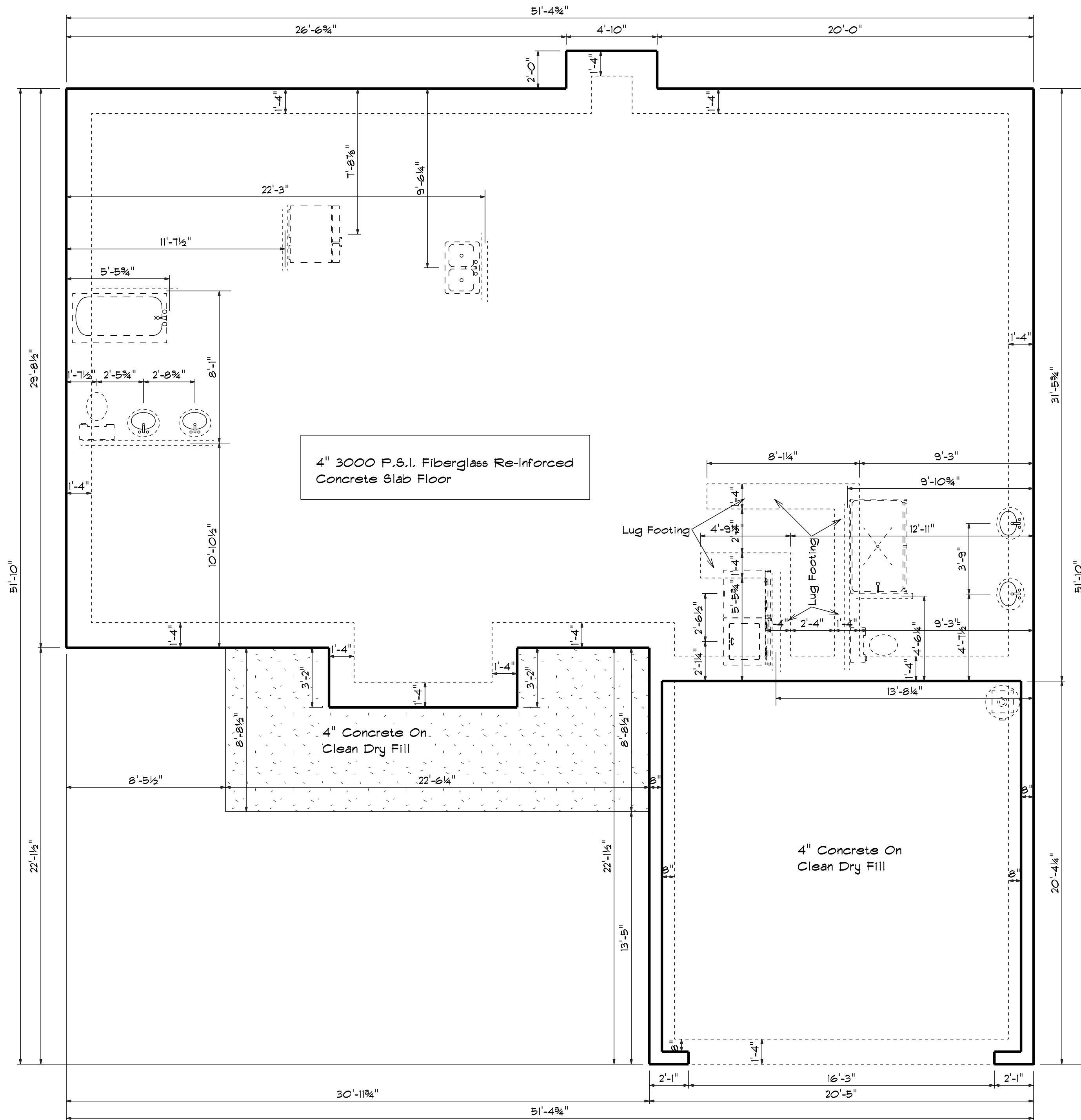
Scale: 1/4" = 1'-0"



DATE: 10/3/2023
REVISED
DRAWING#
SCALE: 1/4"
DRAWN BY
APPROVED

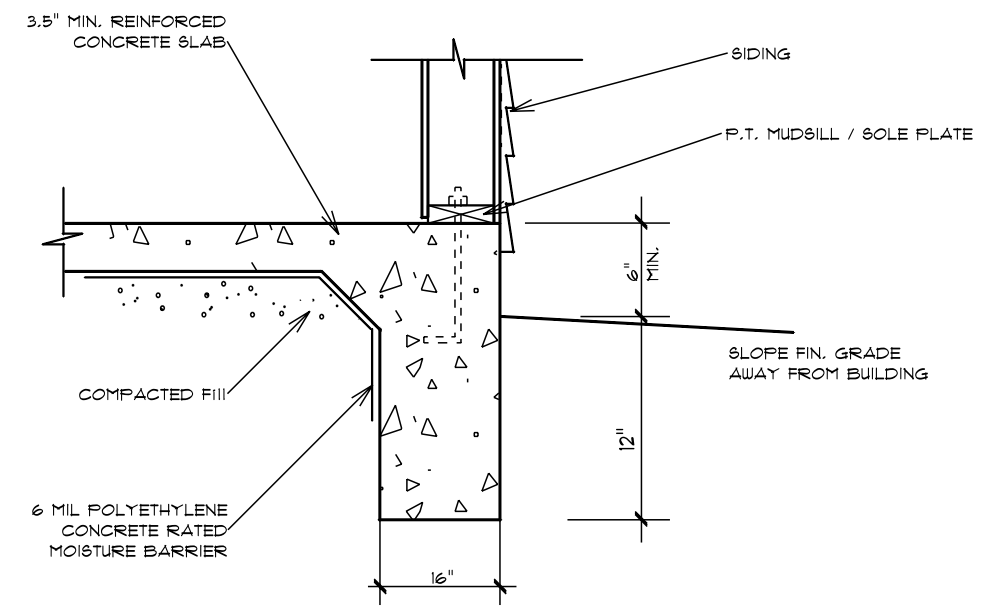
Plan #8



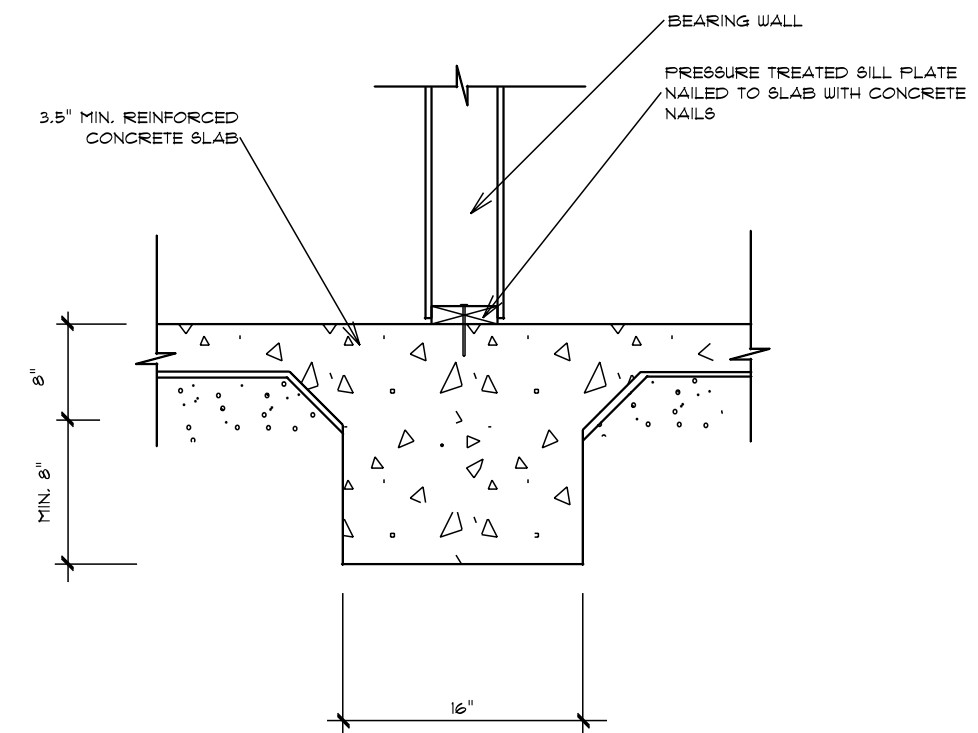


Foundation Plan

Scale: 1/4" = 1'-0"



TURN-DOWN FOOTING DETAIL

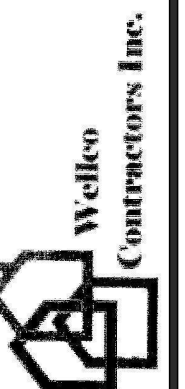


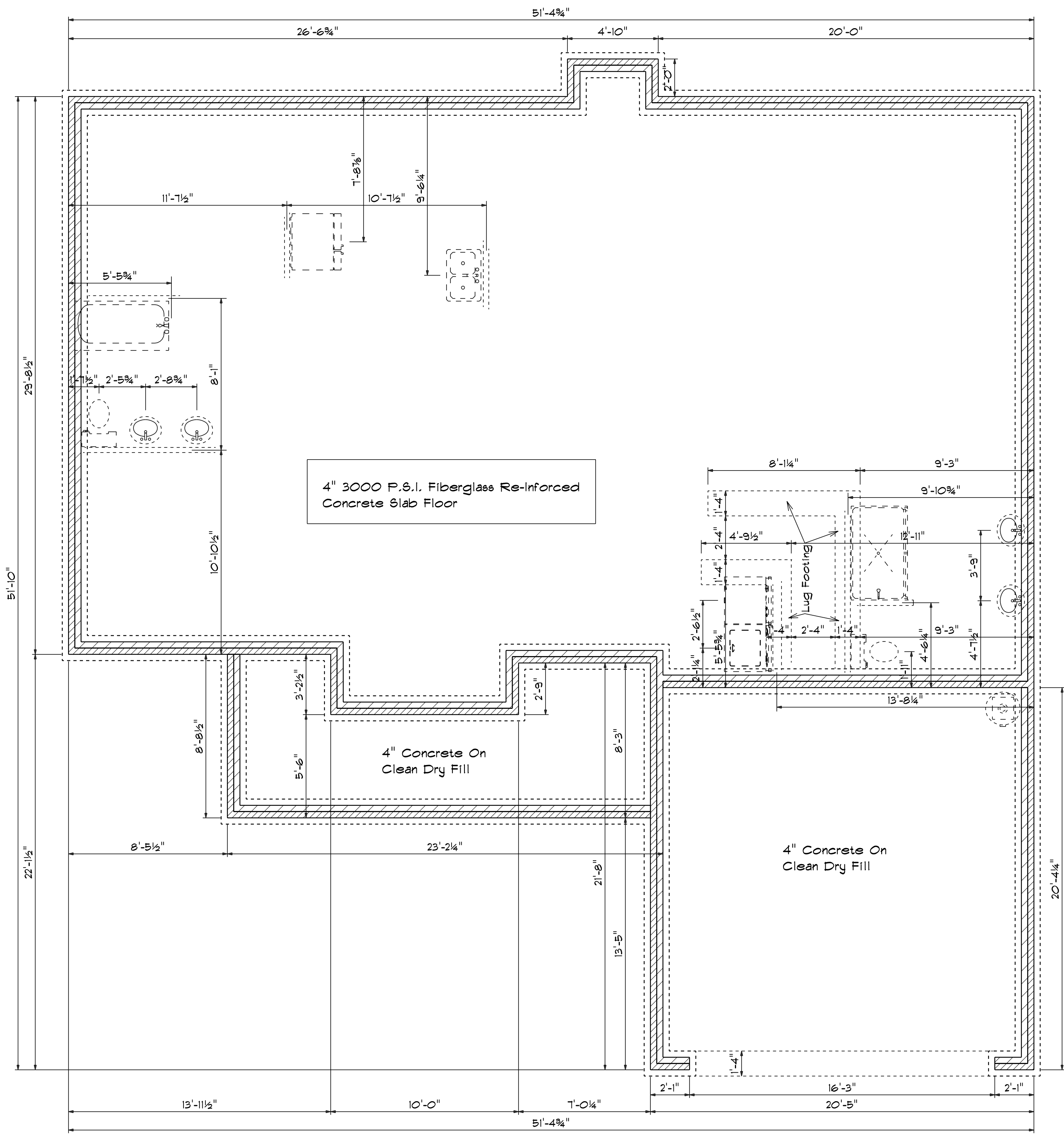
INTEGRAL SLAB FOOTING DETAIL AT BEARING WALL

DATE: 10/3/2023
REVISED
DRAWING#

SCALE: 1/4"
DRAWN BY
APPROVED

Plan# 8



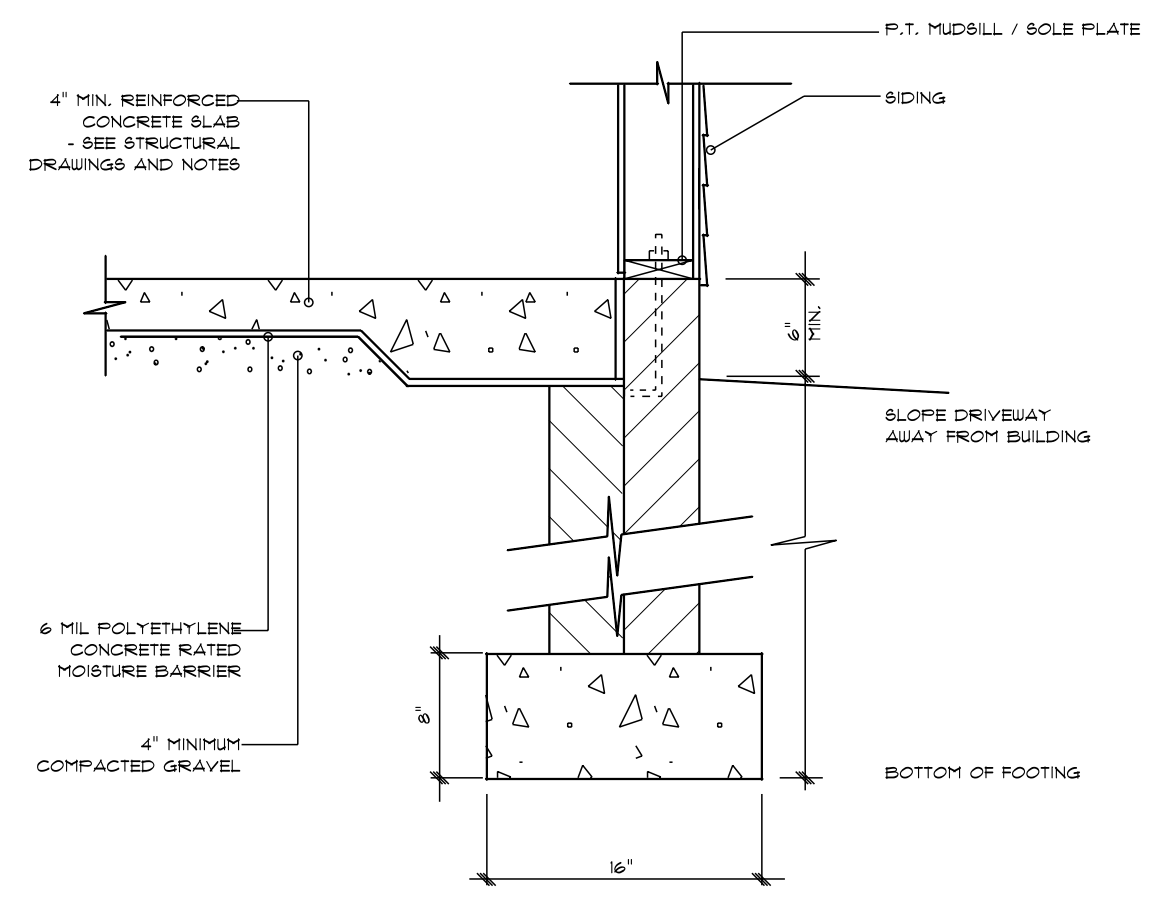


4" 3000 P.S.I. Fiberglass Re-inforced
Concrete Slab Floor

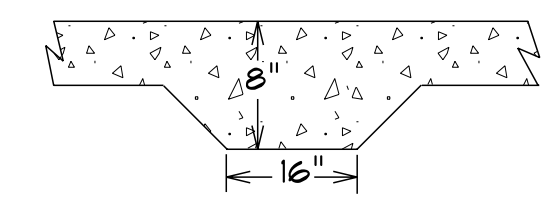
4" Concrete On
Clean Dry Fill

4" Concrete On
Clean Dry Fill

Foundation Plan
Scale: 1/4" = 1'-0"



STEM WALL FOOTING DETAIL



LUG FOOTING DETAIL

DATE: 10/3/2023	
REVISION	DRAWING#
SCALE: 1/4"	DRAWN BY
	APPROVED
Plan# 8	