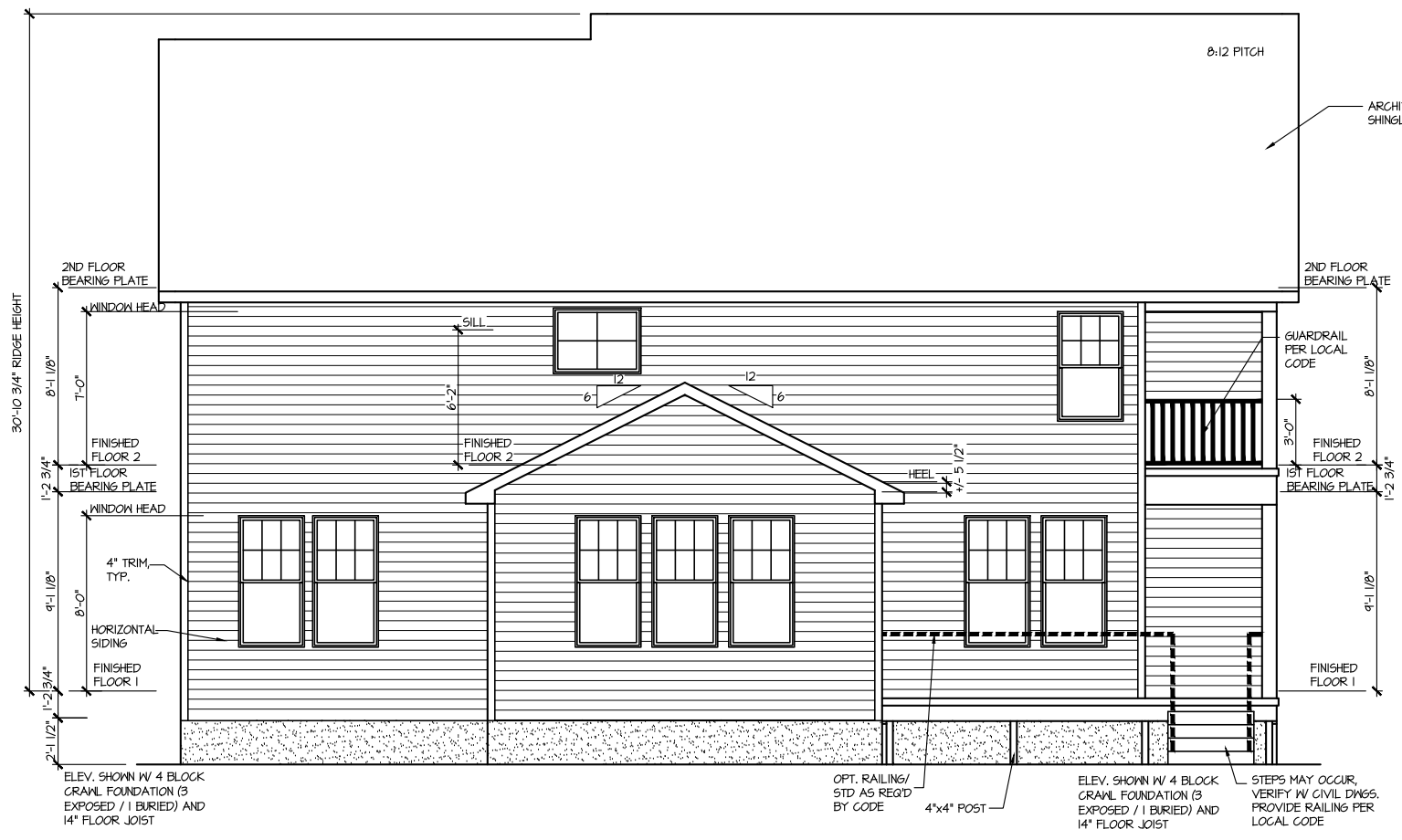




FRONT ELEVATION I
SCALE: 1/8" = 1'-0"



REAR ELEVATION I
SCALE: 1/8" = 1'-0"

FILE: Lot_00.0032.dwg DATE: 7/23/2024 2:42 PM

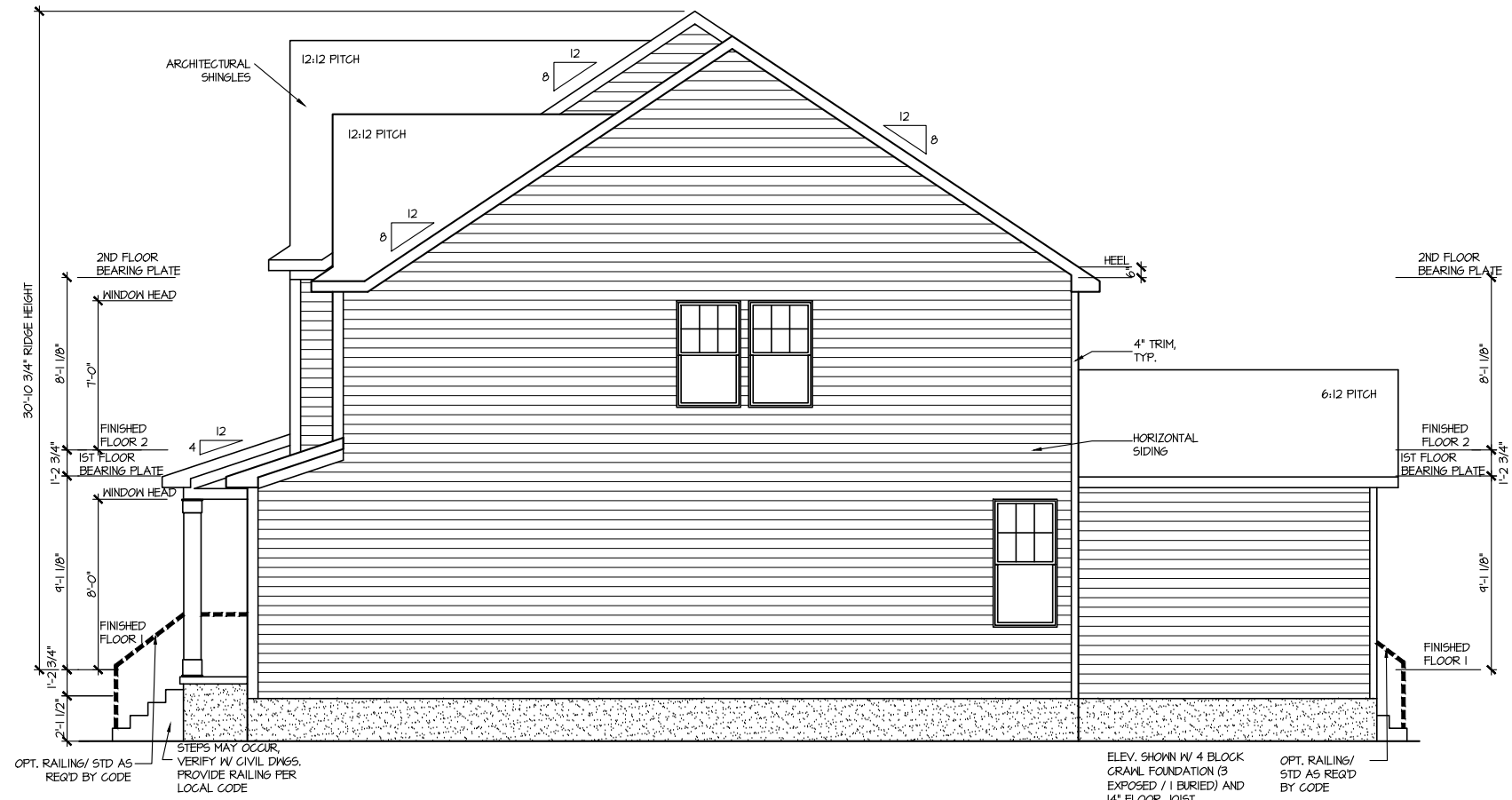
MASTER PLAN INFORMATION	
REVISION	DATE
2-RALE	03-20-2024

DRAWN BY: ITS
DATE: 07/23/2024
PLAN NO. 1635



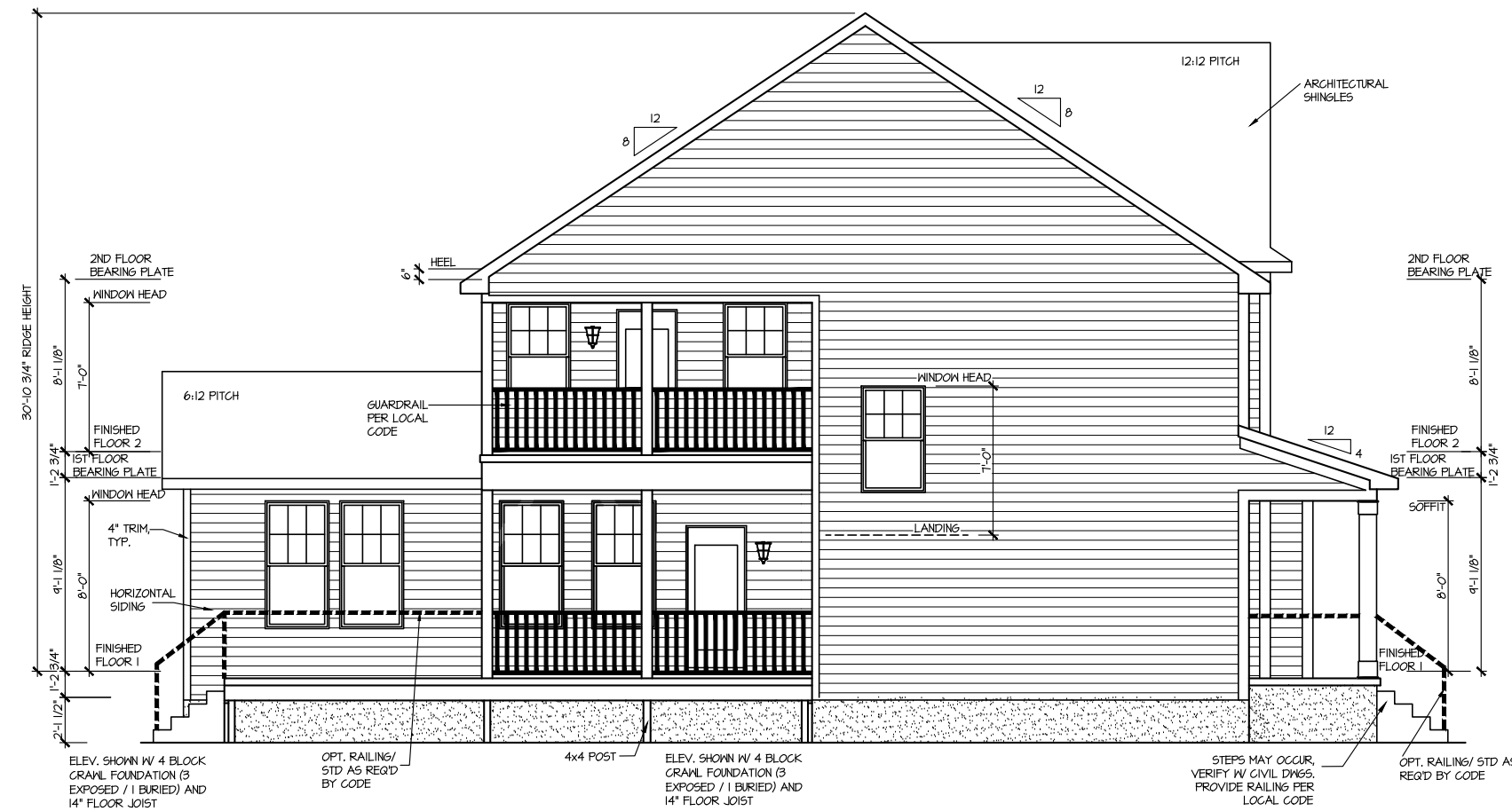
HOUSE NAME: STONEFIELD
DRAWING TITLE: FRONT & REAR ELEVATIONS

SHEET No. A.1



RIGHT ELEVATION I

SCALE: 1/8" = 1'-0"



LEFT ELEVATION I

SCALE: 1/8" = 1'-0"

FILE: Lot_00.0032.dwg DATE: 7/23/2024 2:42 PM

MASTER PLAN INFORMATION	
REVISION	DATE
2-RALE	03-20-2024

DRAWN BY: ITS
 DATE: 07/23/2024
 PLAN NO. 1635

DRB
HOMES

HOUSE NAME: STONEFIELD
 DRAWING TITLE: RIGHT & LEFT ELEVATIONS

SHEET No. A1.2

ATTIC VENT CALCULATION FOR PLAN '1'

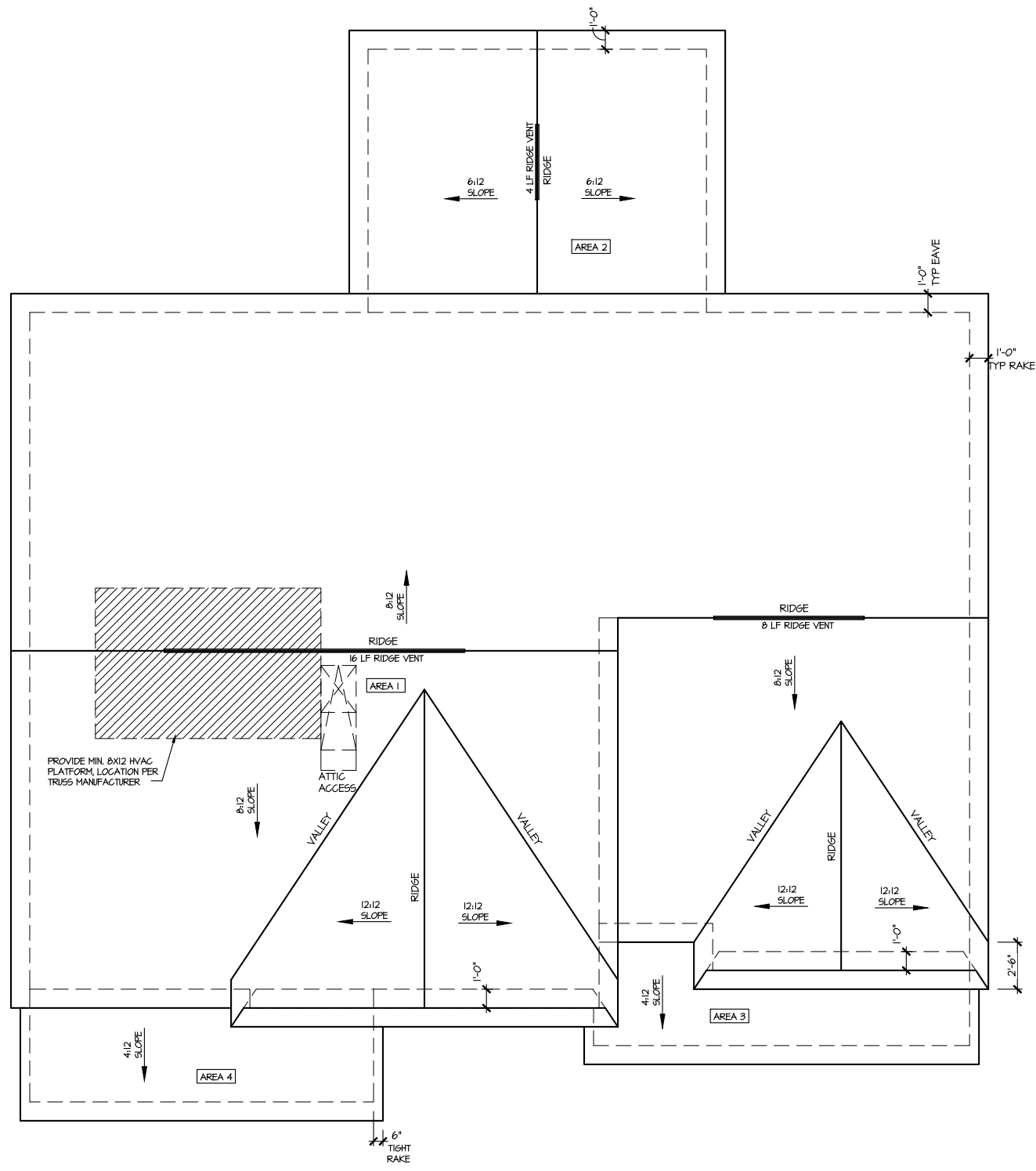
UPPER ROOF VENTILATION CALCULATIONS:
 ROOF AREA 1 = 1784 SQ. FT.
OVERALL REQUIRED VENTILATION:
 1 TO 50 = 11.4 SQ. FT.
 1 TO 300 = 5.89 SQ. FT.
 50% IN TOP THIRD = 2.91 SQ. FT. (1 TO 300)
 NET FREE AREA OF VENTED SOFFIT = 5.1 SQ. IN / LINEAR FT.
 NET FREE AREA OF RIDGE VENT = 18 SQ. IN / LINEAR FT.
LOWER VENTING (BOTTOM 2/3 ROOF):
 16 LINEAR FEET OF SOFFIT X 5.1 SQ. IN. = 3,008 SQ. FT.
UPPER VENTING (TOP 1/3 ROOF):
 24 LINEAR FEET OF RIDGE X 18 SQ. IN. = 9 SQ. FT.
 3 SQ. FT. AT 50%
 (1 TO 300 ALLOWED)

UPPER ROOF VENTILATION CALCULATIONS:
 ROOF AREA 2 = 252 SQ. FT.
OVERALL REQUIRED VENTILATION:
 1 TO 50 = 1.68 SQ. FT.
 1 TO 300 = 0.84 SQ. FT.
 50% IN TOP THIRD = 0.42 SQ. FT. (1 TO 300)
 NET FREE AREA OF VENTED SOFFIT = 5.1 SQ. IN / LINEAR FT.
 NET FREE AREA OF RIDGE VENT = 18 SQ. IN / LINEAR FT.
LOWER VENTING (BOTTOM 2/3 ROOF):
 8 LINEAR FEET OF SOFFIT X 5.1 SQ. IN. = 0.408 SQ. FT.
UPPER VENTING (TOP 1/3 ROOF):
 4 LINEAR FEET OF RIDGE X 18 SQ. IN. = 0.5 SQ. FT.
 0.5 SQ. FT. AT 50%
 (1 TO 300 ALLOWED)

UPPER ROOF VENTILATION CALCULATIONS:
 ROOF AREA 3 = 45 SQ. FT.
OVERALL REQUIRED VENTILATION:
 1 TO 50 = 0.63 SQ. FT.
 1 TO 300 = 0.315 SQ. FT.
 50% IN TOP THIRD = 0.158 SQ. FT. (1 TO 300)
 NET FREE AREA OF VENTED SOFFIT = 5.1 SQ. IN / LINEAR FT.
 NET FREE AREA OF RIDGE VENT = 18 SQ. IN / LINEAR FT.
LOWER VENTING (BOTTOM 2/3 ROOF):
 4 LINEAR FEET OF SOFFIT X 5.1 SQ. IN. = 0.508 SQ. FT.
UPPER VENTING (TOP 1/3 ROOF):
 2 LINEAR FEET OF RIDGE X 18 SQ. IN. = 0.25 SQ. FT.
 1 SQ. FT. AT 50%
 (1 TO 300 ALLOWED)

UPPER ROOF VENTILATION CALCULATIONS:
 ROOF AREA 4 = 109 SQ. FT.
OVERALL REQUIRED VENTILATION:
 1 TO 50 = 0.681 SQ. FT.
 1 TO 300 = 0.3405 SQ. FT.
 50% IN TOP THIRD = 0.1702 SQ. FT. (1 TO 300)
 NET FREE AREA OF VENTED SOFFIT = 5.1 SQ. IN / LINEAR FT.
 NET FREE AREA OF RIDGE VENT = 18 SQ. IN / LINEAR FT.
LOWER VENTING (BOTTOM 2/3 ROOF):
 5 LINEAR FEET OF SOFFIT X 5.1 SQ. IN. = 0.128 SQ. FT.
UPPER VENTING (TOP 1/3 ROOF):
 2 LINEAR FEET OF RIDGE X 18 SQ. IN. = 0.25 SQ. FT.
 1 SQ. FT. AT 50%
 (1 TO 300 ALLOWED)

NOTE: ROOF PLANS SHOWN W/ MIN. REQ'D RIDGE VENT LOCATIONS.
 ACTUAL RIDGE VENT LOCATIONS AND QUANTITY PER BUILDER



ROOF PLAN ELEV. 1
 SCALE: 1/8" = 1'-0"

FILE: Lot_00.0032.dwg DATE: 7/23/2024 2:42 PM

MASTER PLAN INFORMATION	
DATE	03-20-2024
REVISION	2-RALE

DRAWN BY:	ITS
DATE:	07/23/2024
PLAN NO.	1635

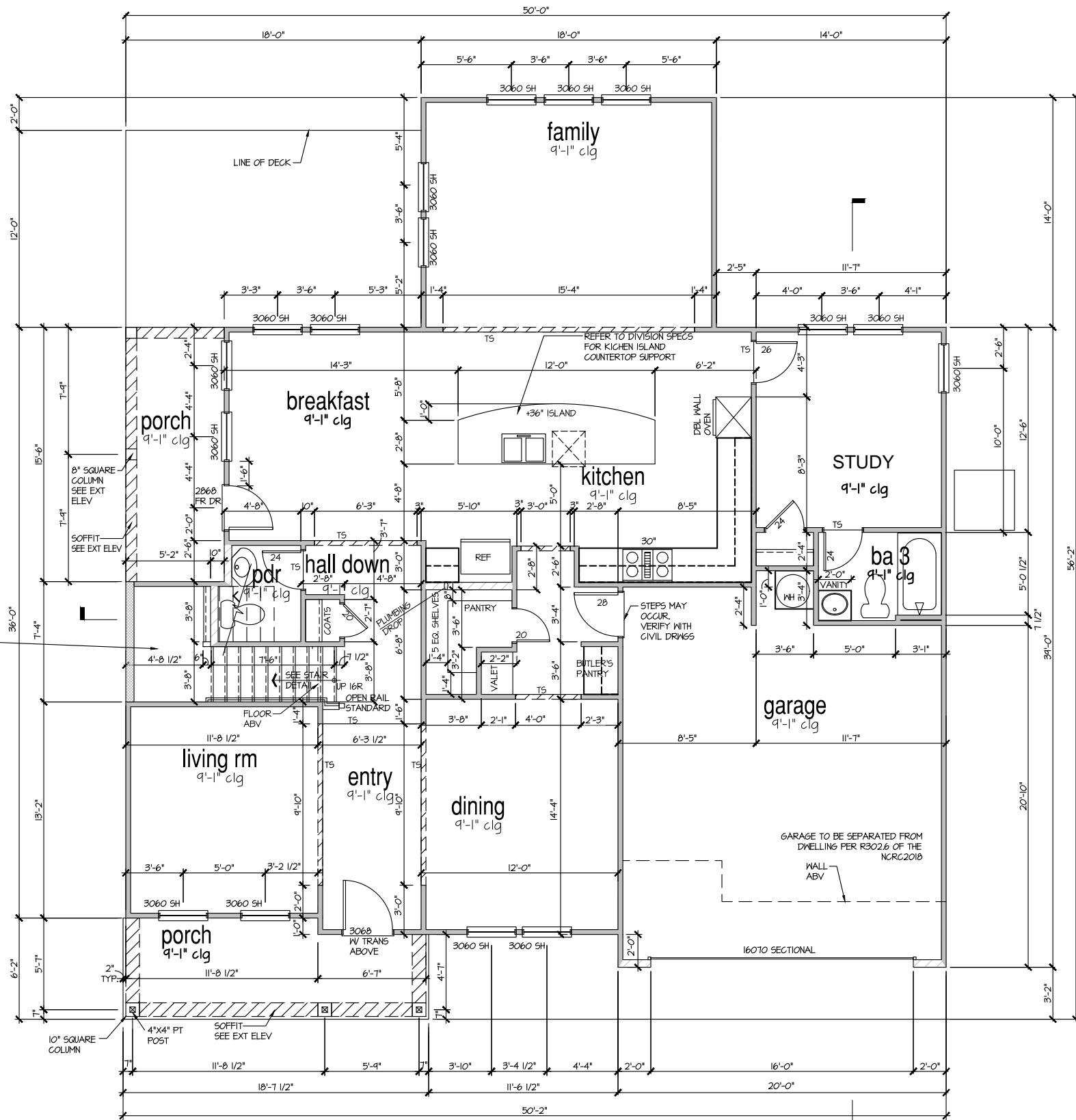


HOUSE NAME:
STONEFIELD
 DRAWING TITLE
ROOF PLAN

SHEET No.
A.3

FILE: Lot_00.0032.dwg DATE: 7/23/2024 2:42 PM

STAIRS TO BE DESIGNED PER R311.15 OF THE NRC2018 CODE MIN. 4" TREAD DEPTH MAX. 8 1/4" RISER HEIGHT



ELEVATION I FIRST FLOOR PLAN

SCALE: 1/8" = 1'-0"

MASTER PLAN INFORMATION	
DATE	03-20-2024
REVISION	2-RALE

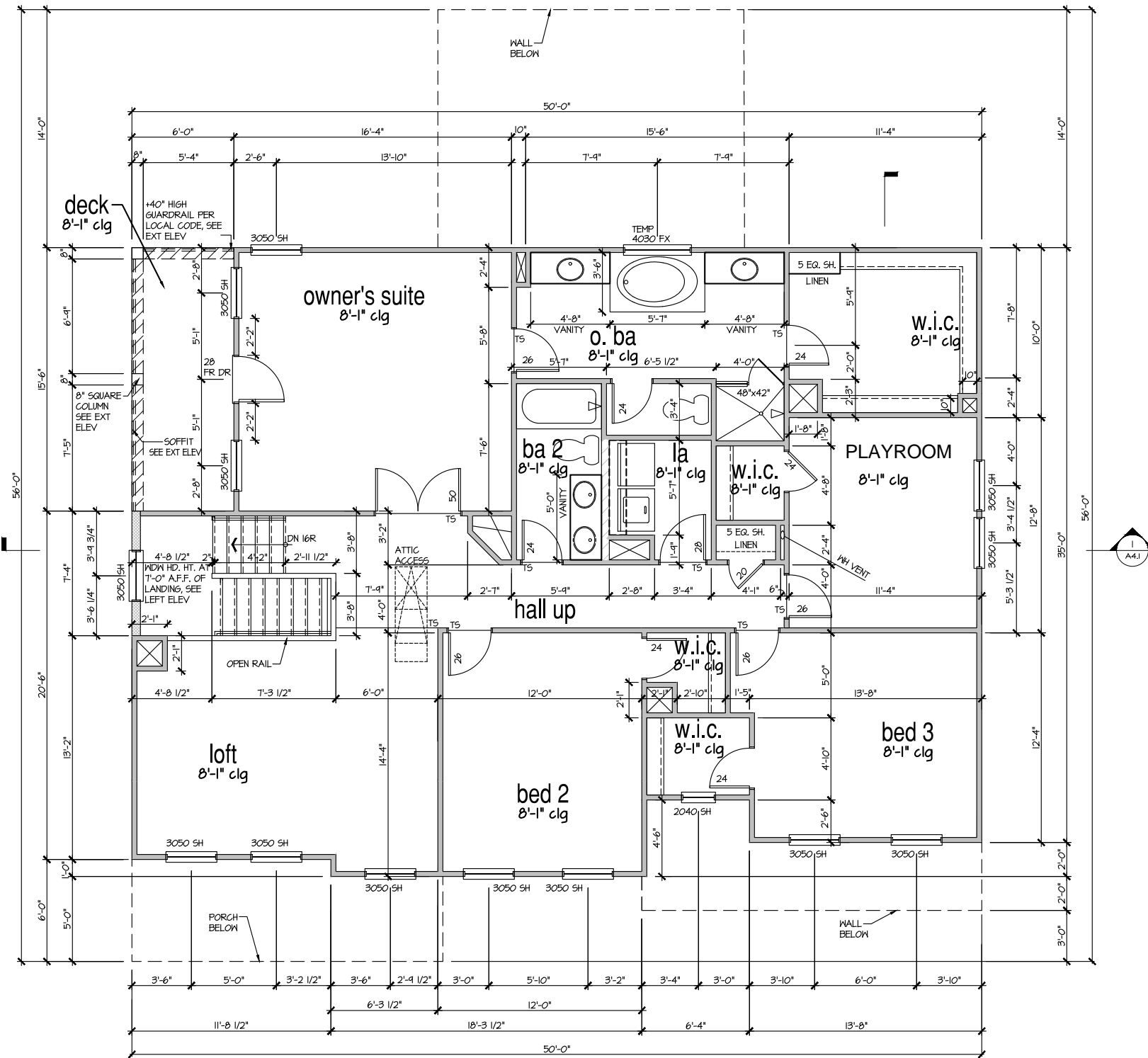
DRAWN BY: ITS
 DATE: 07/23/2024
 PLAN NO. 1635



HOUSE NAME: STONEFIELD
 DRAWING TITLE: FIRST FLOOR PLAN

SHEET No. A3.1

FILE: Lot_00.0032.dwg DATE: 7/23/2024 2:42 PM



ELEVATION 1
SECOND FLOOR PLAN
SCALE: 1/8" = 1'-0"

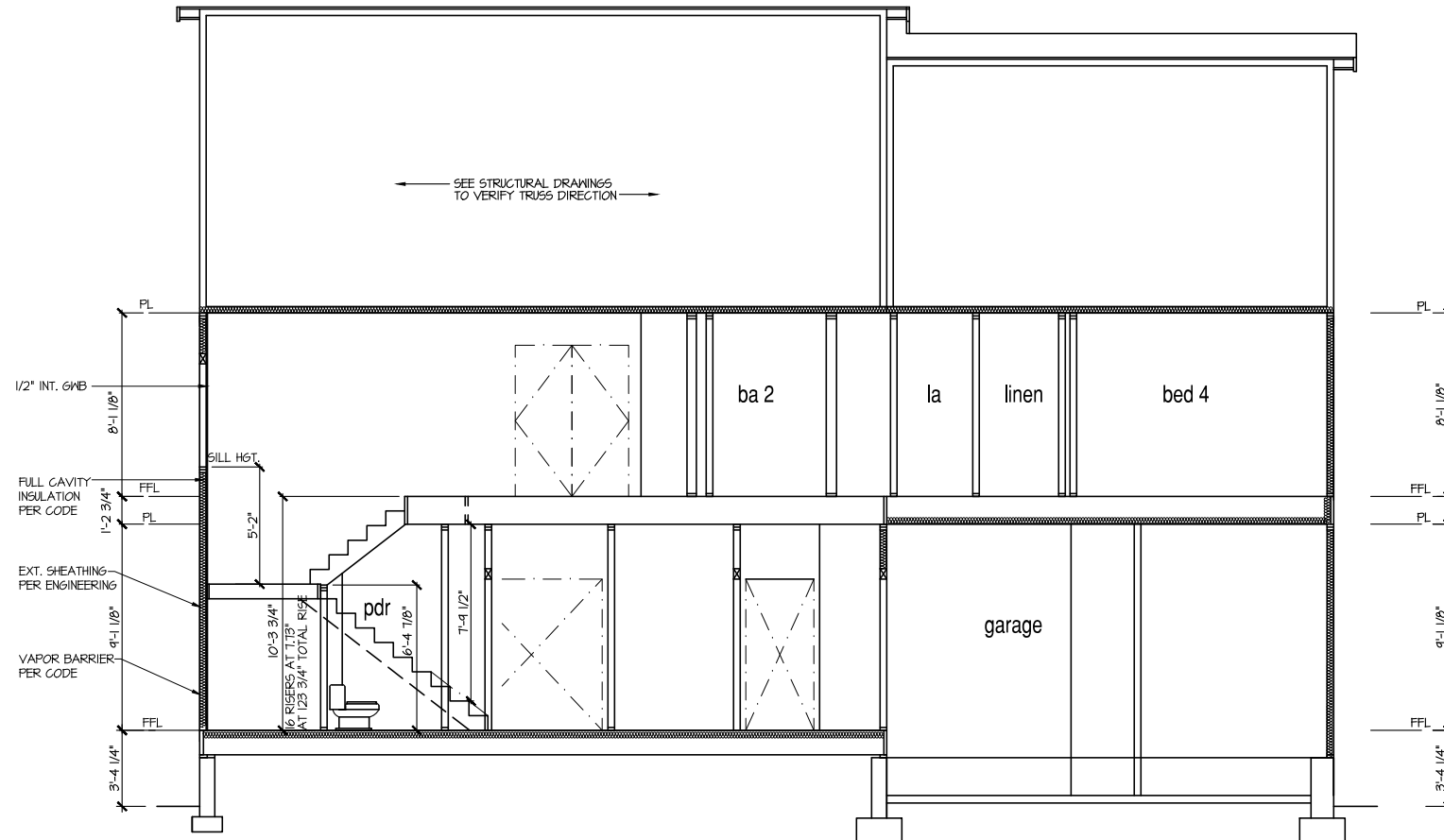
MASTER PLAN INFORMATION	
REVISION	DATE
2-RALE	03-20-2024

DRAWN BY: ITS
 DATE: 07/23/2024
 PLAN NO. 1635

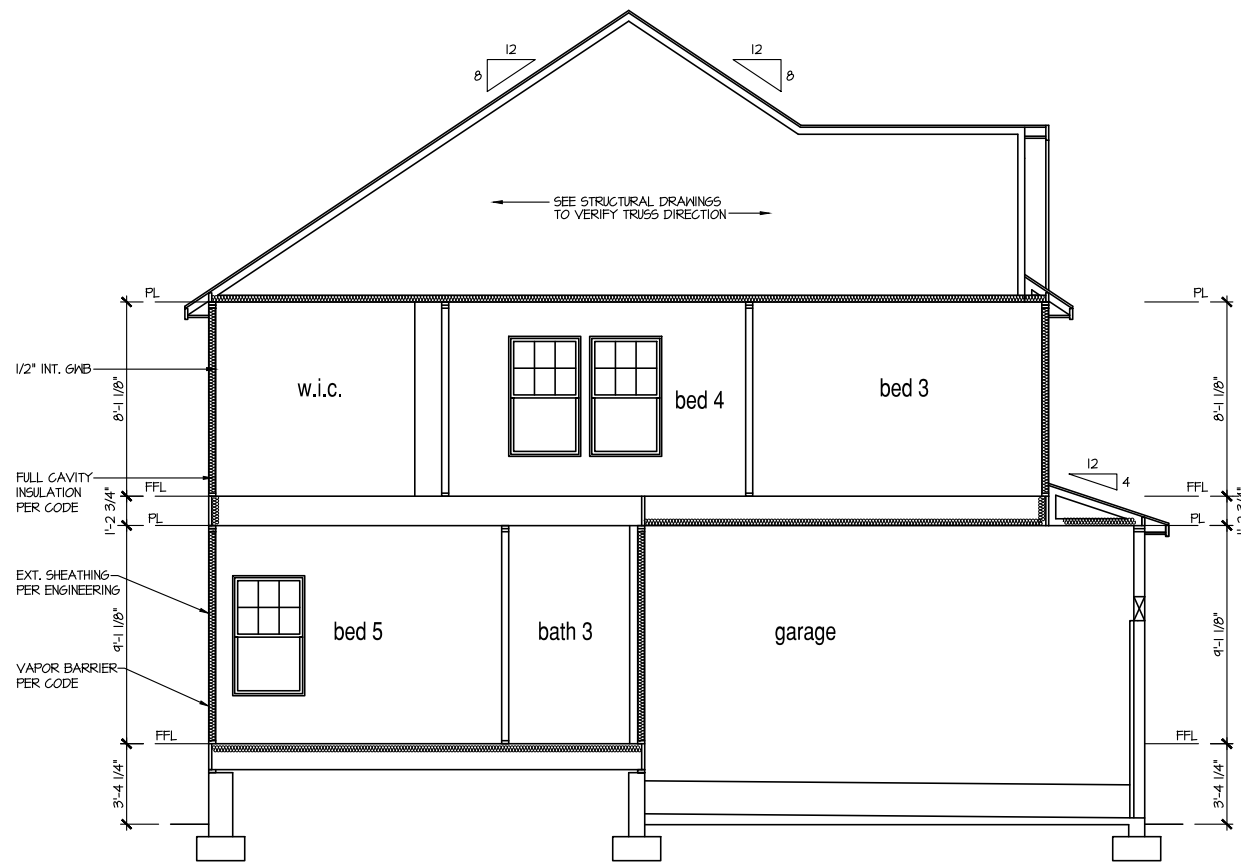


HOUSE NAME: STONEFIELD
 DRAWING TITLE: SECOND FLOOR PLAN

SHEET No. A3.2



SECTION I
SCALE: 1/8" = 1'-0"



SECTION 2
SCALE: 1/8" = 1'-0"

9'-1" STAIR NOTE:
(USE 14" TJI WITH 3/4" PLYWOOD SUBFLOOR)
15 TREADS AT 10" EACH VERIFY
16 RISERS AT +/- 7.73" = 123 3/4" TOTAL RISE VERIFY

NOTES:

- BUILDING SECTIONS SHOWN HERE DEPICT VOLUME SPACES WITHIN THE STRUCTURE. REFER TO STRUCTURAL DRAWINGS, TRUSS DRAWINGS, STRUCTURAL DETAILS AND CALCULATIONS BY OTHER FOR ALL STRUCTURAL INFO.
- ROOFING: PITCHED SHINGLE ROOF. REFER TO ROOF PLAN FOR TYPICALS.
- WOOD FLOORS: FLOOR SHEATHING OVER FLOOR JOIST. REFER TO STRUCTURAL AND TRUSS DRAWINGS BY OTHERS.
- INSULATION:

EXTERIOR WALLS:	R-13 BATTS MINIMUM. VERIFY
CEILING WITH ATTIC ABOVE:	R-38 BATTS MINIMUM. VERIFY
FLOOR OVER GARAGE:	R-19 BATTS MINIMUM. VERIFY
ATTIC KNEEWALL:	R-19 BATTS MINIMUM. VERIFY

PER STATE RESIDENTIAL CODE COMPLIANCE METHOD TO BE DETERMINED BY BUILDER.

FILE: Lot_00.0032.dwg DATE: 7/23/2024 2:42 PM

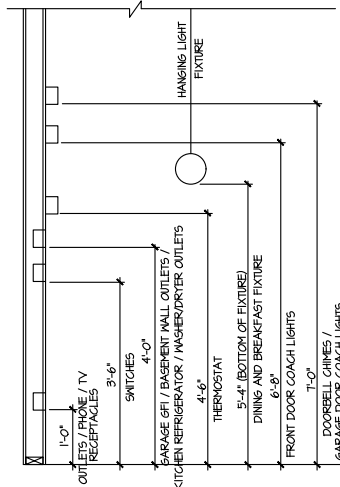
MASTER PLAN INFORMATION	
REVISION	DATE
2-RALE	03-20-2024

DRAWN BY: ITS
DATE: 07/23/2024
PLAN NO. 1635

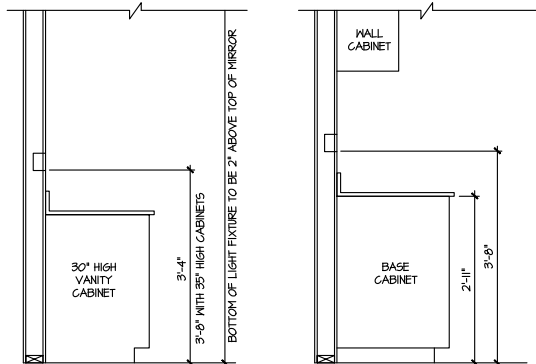


HOUSE NAME: STONEFIELD
DRAWING TITLE: BUILDING SECTION

SHEET No. A4.1



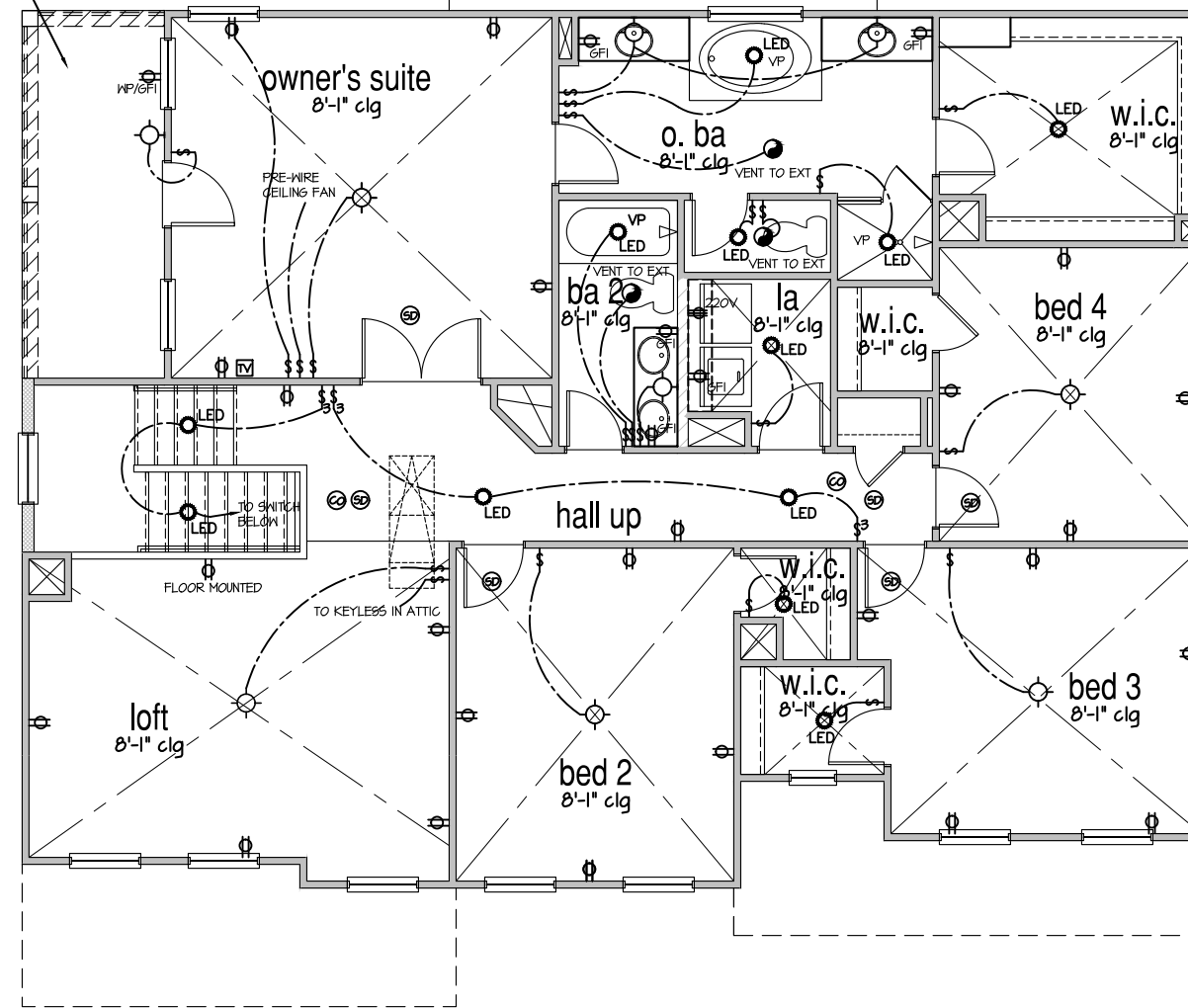
STANDARD ELECTRICAL BOX HEIGHTS



SWITCH AND RECEPTACLE BOXES OVER BATH CABINETS

SWITCH AND RECEPTACLE BOXES OVER KITCHEN CABINETS

deck
8'-1" clg



NOTES:

- PROVIDE AND INSTALL LOCALLY CERTIFIED SMOKE DETECTORS AND CO2 DETECTORS AS REQUIRED BY NATIONAL FIRE PROTECTION ASSOCIATION (NFPA) AND MEETING THE REQUIREMENTS OF ALL GOVERNING CODES.
- PROVIDE AND INSTALL GROUND FAULT CIRCUIT-INTERRUPTERS (GFI) AS REQUIRED BY NATIONAL ELECTRICAL CODE (NEC) AND MEETING THE REQUIREMENTS OF ALL GOVERNING CODES.
- ELECTRICAL CONTRACTOR TO PROVIDE REQUIRED DIRECT HOOK-UPS/CUTOFFS.
- HVAC CONTRACTOR TO VERIFY THERMOSTAT LOCATIONS.
- ALL ELECTRICAL AND MECHANICAL EQUIPMENT (FURNACES, A/C UNITS, ELECTRICAL PANELS, SANITARY SUMP PITS, DRAIN TILE SUMP, AND WATER HEATERS) ARE SUBJECT TO RELOCATION DUE TO FIELD CONDITIONS.
- PROVIDE POWER, LIGHT AND SWITCH AS REQUIRED FOR ATTIC FURNACE PER CODE AND MANUFACTURER'S WRITTEN INSTRUCTIONS.
- CLOSET LIGHTS TO BE FLOURESCENT FIXTURES FOR NC & INCANDESCENT CLG. MOUNTED FIXTURES FOR ALL OTHER AREAS.

LEGEND:

⊕	AFCI DUPLEX OUTLET	☉	CEILING MOUNTED INCANDESCENT LIGHT FIXTURE	⊞	CHIMES	⊗	CEILING FAN (PROVIDE ADEQUATE SUPPORT)
⊕	WEATHERPROOF GFI AFCI DUPLEX OUTLET	☉	KEYLESS LIGHT	⊞	PUSHBUTTON SWITCH	⊗	CEILING FAN WITH INCANDESCENT LIGHT FIXTURE (PROVIDE ADEQUATE SUPPORT)
⊕	GFI	☉	HALL MOUNTED INCANDESCENT LIGHT FIXTURE	⊞	110V SMOKE DETECTOR W/ BATTERY BACKUP	⊗	CEILING FAN WITH INCANDESCENT LIGHT FIXTURE (PROVIDE ADEQUATE SUPPORT)
⊕	GROUND-FAULT CIRCUIT-INTERRUPTER AFCI DUPLEX OUTLET	☉	RECESSED LIGHT FIXTURE	⊞	CO2 DETECTOR	⊗	GAS SUPPLY WITH VALVE
⊕	HALF-SWITCHED AFCI DUPLEX OUTLET	☉	LED SURFACE MOUNTED	⊞	THERMOSTAT	⊗	HOSE BIBB
⊕	220V 220 VOLT AFCI OUTLET	☉	EXHAUST FAN (VENT TO EXTERIOR)	⊞	TELEPHONE	⊗	1/4" WATER STUB OUT
⊕	REINFORCED JUNCTION BOX	☉	EXHAUST FANLIGHT COMBINATION (VENT TO EXTERIOR)	⊞	TELEVISION	⊗	
⊕	HALL SWITCH	☉	TECH HUB SYSTEM	⊞	ELECTRIC METER		
⊕	THREE-WAY SWITCH	☉		⊞	ELECTRIC PANEL		
⊕	FOUR-WAY SWITCH	☉		⊞	DISCONNECT SWITCH		
⊕	LED STRIP FIXTURE	☉		⊞			

ELECTRICAL PLAN
SECOND FLOOR - ELEV. 1

SCALE: 1/8" = 1'-0"

MASTER PLAN INFORMATION	
DATE	03-20-2024
REVISION	2-RALE

DRAWN BY:	ITS
DATE:	07/23/2024
PLAN NO.	1635

DRB
HOMES

HOUSE NAME:
STONEFIELD
DRAWING TITLE
SECOND FLOOR ELECTRICAL

SHEET No.
1.2

GENERAL STRUCTURAL NOTES

FOUNDATION

- DESIGN IS BASED ON 2018 NORTH CAROLINA STATE BUILDING CODE: RESIDENTIAL CODE.
FOOTING DESIGN - 2,000 PSF ALLOWABLE SOIL BEARING PRESSURE IS ASSUMED.
FASTEN 2x4/6 SILL PLATES TO FND WITH A MINIMUM OF 2 ANCHORS PER PLATE, 12" MAX. FROM PLATE ENDS - UTILIZING:
1/2" DIA. ANCHOR BOLTS @ 6'-0" O.C., 1" MIN. EMBEDMENT (CONC), 15" MIN. EMBEDMENT (CMU)
SIMPSON MASA ANCHOR STRAPS @ 6'-0" O.C. (CONC)
SIMPSON MAB23 ANCHOR STRAPS @ 2'-8" O.C. (CMU)
REFER TO DETAILS FOR 10' TALL WALL ANCHOR REQUIREMENTS)
ALL LUMBER EXPOSED TO WEATHER OR IN CONTACT W/ CONCRETE OR CMU SHALL BE PRESERVATIVE TREATED SOUTHERN PINE #2.
BUILDER TO VERIFY CORROSION-RESISTANCE COMPATIBILITY OF HARDWARE & FASTENERS IN CONTACT W/ PRESERVATIVE-TREATED WOOD. CONTACT LUMBER & HARDWARE SUPPLIERS TO COORD.
BASEMENT INTERIOR BEARING WALLS & EXTERIOR WALK-OUT BASEMENT WALLS SHALL BE 2x6 @ 16" O.C. SFF OR 5/8" STUD GRADE OR BETTER.
CONCRETE DESIGN BASED ON ACI 318. CONCRETE SHALL ATTAIN THE FOLLOWING MIN. COMPRESSIVE STRENGTHS IN 28 DAYS, UNO.:
fc = 4,000 psi: FOUNDATION WALLS
2,500 psi: FOOTINGS & INTERIOR SLABS ON GRADE
3,000 psi: GARAGE & EXTERIOR SLABS ON GRADE
fy = 60,000 psi
BASEMENT FOUNDATION WALL DESIGN BASED ON:
4' OR 10' HEIGHT (AS NOTED ON PLANS)
TALLER WALLS MUST BE ENGINEERED.
NOMINAL WIDTH (4 1/2" FOR 10" THICK WALL).
BASEMENT WALL DESIGN IS BASED ON 60 PCF BACKFILL SOIL TYPE CLASSIFICATIONS (SC, ML-CL, OR CL).
BASEMENT WALLS SHALL BE BRACED, PRIOR TO BACKFILLING, BY ADEQUATE TEMPORARY BRACING OR INSTALL 1st FLOOR DECK.
PROVIDE (2) #5 BARS AROUND ALL SIDES OF OPENINGS IN CONCRETE BSMT. FND. WALL WITH 2" CLEAR. REINFORCEMENT SHALL EXTEND 12" PAST CORNER OF OPENING IN ALL DIRECTIONS.
FOR OPENINGS UP TO 36", PROVIDE MINIMUM 10" CONCRETE DEPTH OVER OPENING OR (3)2x10 W/ (2)2x6 JACK STUDS, UNO. LARGER OPENINGS SHALL BE PER PLAN.
ALL CONCRETE EXPOSED TO THE WEATHER SHALL NOT HAVE LESS THAN 5% OR MORE THAN 1% AIR ENTRAINMENT.
ALL FOOTINGS SHALL BEAR AT LEAST 12" BELOW FINISH GRADE.
FOOTINGS AND SLABS ON GRADE SHALL BEAR ON VIRGIN SOIL OR 95% COMPACTED FILL.
PROVIDE CONTROL JOINTS AT ALL INSIDE CORNERS OF SLAB EDGES, AND OTHER LOCATIONS WHERE SLAB CRACKS ARE LIKELY TO DEVELOP.
JOINTS SHALL BE LOCATED @ 10'-0" O.C. (RECOMMENDED) OR 15'-0" O.C. (MAXIMUM)
JOINT GRID PATTERN SHALL BE AS CLOSE TO SQUARES AS POSSIBLE (1:1 RATIO), WITH A MAXIMUM OF 1:1.5 RATIO
CONTROL JOINTS SHALL NOT BE INSTALLED IN STRUCTURAL SLABS
CONCRETE MASONRY UNITS (CMU) SHALL BE ASTM C90 WITH A MIN. COMPRESSIVE STRENGTH OF 1900 psi (Fm=1500 psi). MORTAR SHALL BE ASTM C270, TYPE S. CMU DESIGN PER ACI 530 & 530J.
CMU FOUNDATION WALLS SHALL HAVE 'DUR-O-WALL' HORIZONTAL JOINT REINFORCEMENT (OR EQUAL) - 9 GA. MINIMUM @ 16" O.C.
PROVIDE 2x8 x 16" LONG P.T. PLATE ON TOP OF ALL CRAWL SPACE PIERS. ALL PIERS SHALL BE GROUTED SOLID.
PROVIDE 2x6 P.T. PLATE ON INTERIOR CRAWL SPACE WALLS, FASTENED PER ANCHORAGE SPECIFICATION NOTED ABOVE.
DIMENSIONS BY OTHERS, BUILDER TO VERIFY.
BUILDER TO VERIFY THAT MODEL HAS BEEN ADEQUATELY TREATED BY A LICENSED AND BONDED PEST CONTROL COMPANY FOR SUBTERRANEAN TERMITES. METHOD AND TYPE OF TREATMENT TO BE DETERMINED BY PEST CONTROL COMPANY.

GENERAL STRUCTURAL NOTES

- DESIGN IS BASED ON 2018 NORTH CAROLINA STATE BUILDING CODE: RESIDENTIAL CODE.
WOOD FRAME ENGINEERING IS BASED ON NDS, 'NATIONAL DESIGN SPECIFICATION FOR WOOD CONSTRUCTION' - LATEST EDITION.
DESIGN LOADS:
ROOF DEAD = 7 PSF T.C., 10 PSF B.C.
LIVE = 16 PSF
LOAD DURATION FACTOR = 1.25
FLOOR LIVE = 40 PSF (30 PSF @ SLEEPING AREAS)
DEAD = 10 PSF (1-JOISTS & SOLID SAMN)
10 PSF T.C., 5 PSF B.C. (TRUSSES)
(ADDL 10 PSF @ TILE)
LATERAL 120 MPH, EXPOSURE B. SEISMIC A/B.
SOIL 2,000 PSF ASSUMED ALLOWABLE BEARING PRESSURE (TO BE VERIFIED BY BUILDER)

GENERAL FRAMING

- ALL TYP. NAIL FASTENER REQUIREMENTS ARE NOTED IN STANDARD CONNECTIONS TABLE OR ON PLANS. ALL NAILS SPECIFIED ARE MIN DIAMETER AND LENGTH REQUIRED FOR CONNECTION. ALL HANGER NAILS SHALL BE INSTALLED PER MANUFACTURER'S REQUIREMENTS FOR MAX CHARTED CAPACITY. NOTE: HANGERS USE COMMON NAIL DIAMETERS NOT TYPICAL FRAMING GUN NAILS.
REFER TO FASTENING SCHEDULE TABLE R602.3(1) FOR ALL CONNECTIONS, TYP. UNO.
EXT. & INT. BRG WALLS SHALL BE 2x4 OR 2x6 (AS SHOWN ON PLANS) @ 16" O.C. SFF OR 5/8" STUD GRADE LUMBER, OR BETTER, UNO.
WALLS OVER 12' TALL SHALL BE PER PLAN.
ALL HEADERS, BEAMS & OTHER STRUCTURAL MEMBERS SHALL BE SPRUCE-PINE-FIR #2 (SPF) OR SOUTHERN PINE #2 (SPY) LUMBER, OR BETTER (KILN-DRIED). ALL HEADERS HAVE BEEN DESIGNED BASED ON CALCULATED LOADS & SIZED ACCORDINGLY. CODE TABLES HAVE NOT BEEN USED.
ALL NON-BEARING INTERIOR STUD WALLS SHALL BE CONSTRUCTED WITH 2x STUD GRADE MEMBERS SPACED @ 16" O.C. (MAX, UNO.)
HEADERS IN NON-LOAD BEARING WALLS SHALL BE:
(1)2x4/6 FLAT @ OPENINGS UP TO 4'; (2)2x4/6 FLAT UP TO 8'.
ALL FRAMING LUMBER SHALL BE DRIED TO 15% MC (K-D-15).
ENGINEERED LUMBER BEAMS TO MEET OR EXCEED THE FOLLOWING:
'LVL' - Fb=2325 psi; Fv=310 psi; E=1.55x10^6 psi
'LVL' - Fb=2600 psi; Fv=285 psi; E=2.0x10^6 psi
'PSL' - Fb=2400 psi; Fv=240 psi; E=2.0x10^6 psi
M&K SHALL BE FULLY INDEMNIFIED FOR ANY AND ALL ISSUES RESULTING FROM OR RELATED TO ANY BUILDING COMPONENT IF THE OWNER DOES NOT SUBMIT THE COMPONENT SHOP DRAWINGS TO M&K FOR STRUCTURAL REVIEW PRIOR TO FABRICATION, DELIVERY, OR INSTALLATION.
FOR 2 & 3 PLY BEAMS OF EQUAL WIDTH, FASTEN PLIES TOGETHER WITH 3 ROWS OF 3"x0.120" NAILS @ 8" O.C. OR 2 ROWS 1/4"x3/8" SIMPSON SDS SCREWS (OR 3/8" TRUSLOK SCREWS) @ 16" O.C. USE A MINIMUM OF 3 ROWS FOR BEAM DEPTHS OF 14" OR GREATER. APPLY FASTENING AT BOTH FACES FOR 3-PLY CONDITION. LOCATE TOP & BOTTOM NAILS/SCREWS 2" FROM EDGE. SOLID 3 1/2" OR 5 1/4" BEAMS ARE ACCEPTABLE. USE 2 ROWS OF NAILS FOR 2x6 & 2x8 MEMBERS.
FOR 4 PLY BEAMS OF EQUAL WIDTH, FASTEN PLIES TOGETHER WITH 3 ROWS OF 1/4"x6" SIMPSON SDS SCREWS (OR 6 3/4" TRUSLOK SCREWS) @ 16" O.C. USE A MINIMUM OF 4 ROWS FOR BEAM DEPTHS OF 14" OR GREATER. APPLY FASTENING AT BOTH FACES (ONE SIDE ONLY FOR TRUSLOK SCREWS). LOCATE TOP AND BOTTOM SCREWS 2" FROM EDGE. A SOLID 7" BEAM IS ACCEPTABLE.
ALL HEADERS SHALL BE SUPPORTED BY (1)2x JACK STUD & (1)2x KING STUD, MINIMUM.
THE NUMBER OF STUDS SPECIFIED AT A SUPPORT INDICATES THE NUMBER OF JACK STUDS REQUIRED, UNO.
ALL MULTI-PLY STUDS TO BE FASTENED TOGETHER W/ 3"x0.131" NAILS @ 24" O.C. (MIN), EACH PLY.
PROVIDE SOLID BLOCKING IN FLOOR SYSTEM UNDER ALL POSTS CONTINUOUS TO FND/BEARING. BLOCKING TO MATCH POST ABOVE.
FASTEN 2x WOOD PLATES TO TOP FLANGE OF STEEL BEAMS WITH P.A.F.'s (HILTI' X-CF PINS OR EQUAL) @ 16" O.C. STAGGERED, OR 1/2" DIA. BOLTS @ 48" O.C. STAGGERED.
ALL EXTERIOR 4x4 WOOD POSTS SHALL HAVE SIMPSON BC62-2/4 CAP & ABW44Z BASE, UNO.

FLOOR FRAMING

- 1-JOISTS/TRUSSES SHALL BE DESIGNED BY MANUF. TO MEET OR EXCEED L/480 LIVE LOAD DEFLECTION CRITERIA. (EXCLUDES MARBLE FLOORS - CONTACT M&K FOR MARBLE FLOOR DESIGNS)
AT 1-JOIST FLOORS, PROVIDE 1 1/8" MIN. OSB RIM BOARD.
METAL HANGERS SHALL BE SPECIFIED BY MANUFACTURER, UNO.
FLOOR SHEATHING SHALL BE 23/32" A.P.A. RATED 'STURD-I-FLOOR' 24" O.C. EXPOSURE 1 (OR APPROVED EQUAL) WITH TONGUE AND GROOVE EDGES. FASTEN TO FRAMING MEMBERS W/ GLUE AND
2 1/2" x 0.131" NAILS @ 6" O.C. @ PANEL EDGES @ 12" O.C. FIELD.
2 3/8" x 0.120" NAILS @ 4" O.C. @ PANEL EDGES @ 8" O.C. FIELD.
2 3/8" x 0.131" NAILS @ 3" O.C. @ PANEL EDGES @ 6" O.C. IN FIELD.
#6 x 2" MIN. SCREWS @ 6" O.C. @ PANEL EDGES @ 12" O.C. FIELD.

ROOF FRAMING

- BAY WINDOWS & SHED ROOFS (UP TO 6' SPAN) CAN BE 2x4 OR 2x6 RAFTERS & CEILING JOISTS @ 16/24" O.C.
FASTEN EACH ROOF TRUSS TO TOP PLATE W/ SIMPSON H2.5T CLIP (OR APPROVED EQUAL) @ ALL BEARING POINTS. PROVIDE (2) H2.5T CLIPS AT 2-PLY GIRDER TRUSSES, (3) H2.5T CLIPS AT 3-PLY GIRDER TRUSSES & ROOF BEAMS - AT ALL BEARING POINTS.
METAL HANGERS SHALL BE SPECIFIED BY THE MANUFACTURER, UNO.
ERECT AND INSTALL ROOF TRUSSES PER WTGA & TPI'S BCSI I-08 'GUIDE TO GOOD PRACTICE FOR HANDLING, INSTALLING & BRACING OF METAL PLATE CONNECTED WOOD TRUSSES.'
SUPPORT PORCH & SHORT SPAN ROOF TRUSSES (MAX 7' SPAN) W/ 2x4 LEDGER FASTENED TO:
RIM BOARD W/ (2) 3"x0.131" NAILS @ 16" O.C. MAX. (1-JOISTS)
TRUSS VERTICALS W/ (3) 3"x0.131" NAILS @ 19.2" O.C. MAX. (FLOOR TRUSSES)
ROOF SHEATHING SHALL BE 7/16" A.P.A. RATED SHEATHING 24/16 EXPOSURE 1 (OR APPROVED EQUAL). FASTEN TO FRAMING MEMBERS
W/ 2 1/2" x 0.131" NAILS @ 6" O.C. @ PANEL EDGES @ 12" O.C. FIELD.
W/ 2 3/8" x 0.120" NAILS @ 4" O.C. @ PANEL EDGES @ 8" O.C. FIELD.
W/ 2 3/8" x 0.131" NAILS @ 3" O.C. @ PANEL EDGES @ 6" O.C. FIELD.

HOLD-DOWN SCHEDULE

Table with 2 columns: SYMBOL, SPECIFICATION. Includes HD-1 SIMPSON HTT4 HOLD-DOWN, HD-2 SIMPSON MSTC66 STRAP TIE, HD-3 SIMPSON STDH4/4RJ HOLD-DOWN.

ALTERNATIVE TO 56T24 ANCHOR BOLT SPECIFICATION:
UTILIZE SIMPSON 'SET' EPOXY SYSTEM TO FASTEN 3/8" DIA. THREADED ROD INTO CONCRETE FOUNDATION. PROVIDE 12" MIN. EMBEDMENT INTO CONCRETE. INSTALL PER MANUF. RECOMMENDATIONS. DO NOT LOCATE ANCHORS WITHIN 1 3/4" OF EDGE OF FOUNDATION.

LEGEND

- INTERIOR BEARING WALL
BEARING WALL ABOVE
BEAM / HEADER
INDICATES SHEAR WALL & EXTENT
EXTENT OF OVERFRAMING
METAL HANGER
INDICATES POST ABOVE. PROVIDE SOLID BLOCKING UNDER POST OR JAMB ABOVE.
INDICATES HOLD-DOWN OR STRAP. REFER TO SCHEDULE.

NON-BEARING HEADER SCHEDULE

Table with 3 columns: SPAN, 2x4 NON-BEARING PARTITION WALL, 2x6 NON-BEARING PARTITION WALL. Includes rows for spans up to 3'-0", 6'-0", 8'-0", and 12'-0".

NOTES:
ALL NON-BEARING INTERIOR STUD WALLS SHALL BE CONSTRUCTED WITH 2x STUD GRADE MEMBERS SPACED @ 24" O.C. (MAX)

LATERAL BRACING & SHEAR WALL SHEATHING SPECIFICATIONS

THIS MODEL HAS BEEN DESIGNED TO RESIST LATERAL FORCES RESULTING FROM:
120 MPH WIND IN 2018 NCSEB:RC
(120 MPH WIND SPEED IN ASCE 7-10 WIND MAP, PER IRC R301.2.1.1) EXP. B, RISK CAT. 2 & SEISMIC CAT. A/B.

THE DESIGN WAS COMPLETED PER 2015 IBC (SECTION 1609) & ASCE 7-10, AS PERMITTED BY R301.3 OF THE 2018 NCSEB:RC, OR THE SIMPLIFIED PRESCRIPTIVE PROCEDURE IN ACCORDANCE WITH THE 2015 IRC IF THE PARAMETERS OF SECTION R602.12 COMPLY. ACCORDINGLY, THIS MODEL, AS DOCUMENTED AND DETAILED HERewithIN, IS ADEQUATE TO RESIST THE CODE REQUIRED LATERAL FORCES.

DESIGN WIND UPLIFT LOADS HAVE BEEN CALCULATED UTILIZING ASCE 7-10 (ACCEPTED ENGINEERING PRACTICE) AS ALLOWED PER 2018 NCSEB:RC SECTION R802.11.1. THIS MODEL HAS BEEN DETAILED WHERE REQUIRED & ENGINEERED TO RESIST THE WIND UPLIFT LOAD PATH PER SECTIONS R602.3.54 R802.11.

EXT. WALL SHEATHING SPECIFICATION

- 7/16" OSB OR 15/32" PLYWOOD:
FASTEN SHEATHING W/ 2 3/8"x0.131" NAILS @ 6" O.C. AT EDGES & 12" O.C. IN THE PANEL FIELD. TYP, UNO.
HORIZONTAL BLOCKING OF EXT. WALL/SHEAR WALL PANEL EDGES IS NOT REQUIRED BY THIS DESIGN EXCEPT FOR THOSE AREAS SPECIFICALLY NOTED.
ALL EXT. WALLS SHALL BE CONTINUOUSLY SHEATHED AND ARE CONSIDERED SHEAR WALLS.
ALT. STAPLE CONNECTION SPEC: 1 1/2" 16 GA STAPLES (3/8" CROWN) @ 3" O.C. AT EDGES @ 6" O.C. IN FIELD.

BLOCKED PANEL EDGES

- AT DESIGNATED AREAS - FASTEN SHEATHING W/ 2 3/8" x 0.131" NAILS @ 6" O.C. AT ALL PANEL EDGES AND 12" O.C. IN THE PANEL FIELD OR 1 3/4" 16 GA STAPLES (3/8" CROWN) @ 3" O.C. AT EDGES @ 6" O.C. IN FIELD. ALL SHEATHING PANELS SHALL BE ORIENTED AND INSTALLED FULL HEIGHT OF SHEAR WALL OR 2x HORIZONTAL BLOCKING SHALL BE PROVIDED TO SUPPORT ALL UNSUPPORTED PANEL EDGES & EDGE FASTENING.

3" O.C. EDGE NAILING

- AT DESIGNATED AREAS - FASTEN PANEL EDGES OF WOOD STRUCTURAL WALL SHEATHING TO FRAMING W/ 8d NAILS @ 3" O.C. NO STAPLE ALTERNATIVE AVAILABLE AT THIS SPEC. ALL SHEATHING PANELS SHALL BE ORIENTED AND INSTALLED FULL HEIGHT OF SHEAR WALL OR 2x HORIZONTAL BLOCKING SHALL BE PROVIDED TO SUPPORT UNSUPPORTED PANEL EDGES AND 3" O.C. EDGE FASTENING.

NOTES

- SEE CONNECTION SPECIFICATIONS CHART FOR STANDARD SHEAR TRANSFER DETAILING. IF ADDITIONAL CAPACITY IS REQUIRED BY DESIGN, IT WILL BE SPECIFICALLY NOTED ON PLAN.
DESIGN ASSUMES 16" O.C. MAX. STUD SPACING, UNO.
ALL STRUCTURAL PANELS ARE TO BE DIRECTLY APPLIED TO STUD FRAMING.
PRE-MANUFACTURED PANELIZED WALLS: FASTEN TOGETHER END STUDS OF WALL PANELS SHEATHED W/ OSB OR PLYWOOD W/ 3" x 0.120" NAILS @ 4" O.C. (THRU ONE SIDE ONLY)

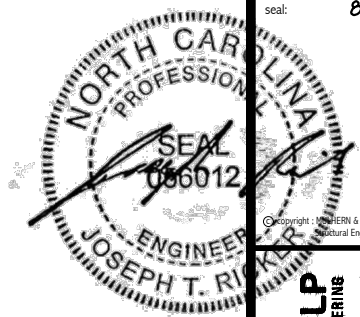
ENGINEERED BEAM MATERIAL SCHEDULE

Table with 6 columns: BEAM NUMBER, LVL OPTION, PSL OPTION, LSL OPTION, FLITCH OPTION, STEEL OPTION. Lists various beam specifications for different beam numbers.

- BEAM NOTATION:
-T INDICATES FLUSH BEAM
-FT INDICATES FLUSH TOP BEAM
-FB INDICATES FLUSH BOTTOM BEAM
-D INDICATES DROPPED BEAM
-H INDICATES DROPPED OPENING HEADER
REFER TO DETAIL D/S22.0 FOR TYPICAL FLITCH BEAM CONNECTIONS
REFER TO DETAIL E/S22.0 FOR TYPICAL STEEL BEAM CONNECTIONS
FOR FLUSH TOP BEAMS PROVIDE 2x STACKED PLATES BENEATH BEAM AS REQ'D. FASTEN PLATES IN SUCCESSION W/ (2) 3"x0.120" NAILS @ 8" O.C.
FOR FLUSH BOTTOM BEAMS PROVIDE 2x STACKED PLATES ATOP BEAM AS REQ'D. FASTEN PLATES IN SUCCESSION W/ (2) 3"x0.120" NAILS @ 8" O.C.
*** - SEE PLAN FOR EXTENT OF 3-PLY BEAM

ADDITIONAL NOTES FOR TRUSS & I-JOIST MANUFACTURER

- ROOF TRUSS, FLOOR TRUSS AND ENGINEERED JOISTS SHALL BE DESIGNED TO MEET THE DIFFERENTIAL DEFLECTION CRITERIA BELOW, UNLESS NOTED OTHERWISE ON PLAN.
TRUSSES/JOISTS SHALL BE DESIGNED SO THAT DIFFERENTIAL DEFLECTION BETWEEN ADJACENT PARALLEL TRUSSES/JOISTS OR GIRDER TRUSSES/FLUSH BEAMS DO NOT EXCEED THE FOLLOWING:
A. ROOF TRUSSES: 1/4" DEAD LOAD
B. FLOOR TRUSSES, ATTIC TRUSSES, & I-JOISTS: 1/8" DEAD LOAD
C. FLOOR TRUSSES & ATTIC TRUSSES ADJACENT TO FLOOR FRAMING BY OTHERS: LIMIT ABSOLUTE TRUSS DEFLECTION TO 3/16" DEAD LOAD. (NOT DIFFERENTIAL DEFLECTION)



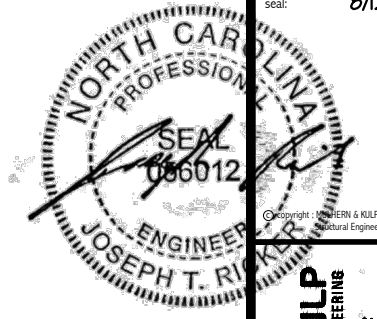
MULHERN+KULP RESIDENTIAL STRUCTURAL ENGINEERING logo and contact information.

M&K project number: 126-23047
project mgr: JTR
drawn by: KFG
issue date: 02-06-24
REVISIONS:
date: initial:
05-13-24 KFG
08-12-24 RPP

DRB HOMES logo.

STRUCTURAL NOTES
HONEYCUTT HILLS
LOT 32 - STONEFIELD 1
RALEIGH, NC

sheet: S0.0



M&K project number:
126-23047

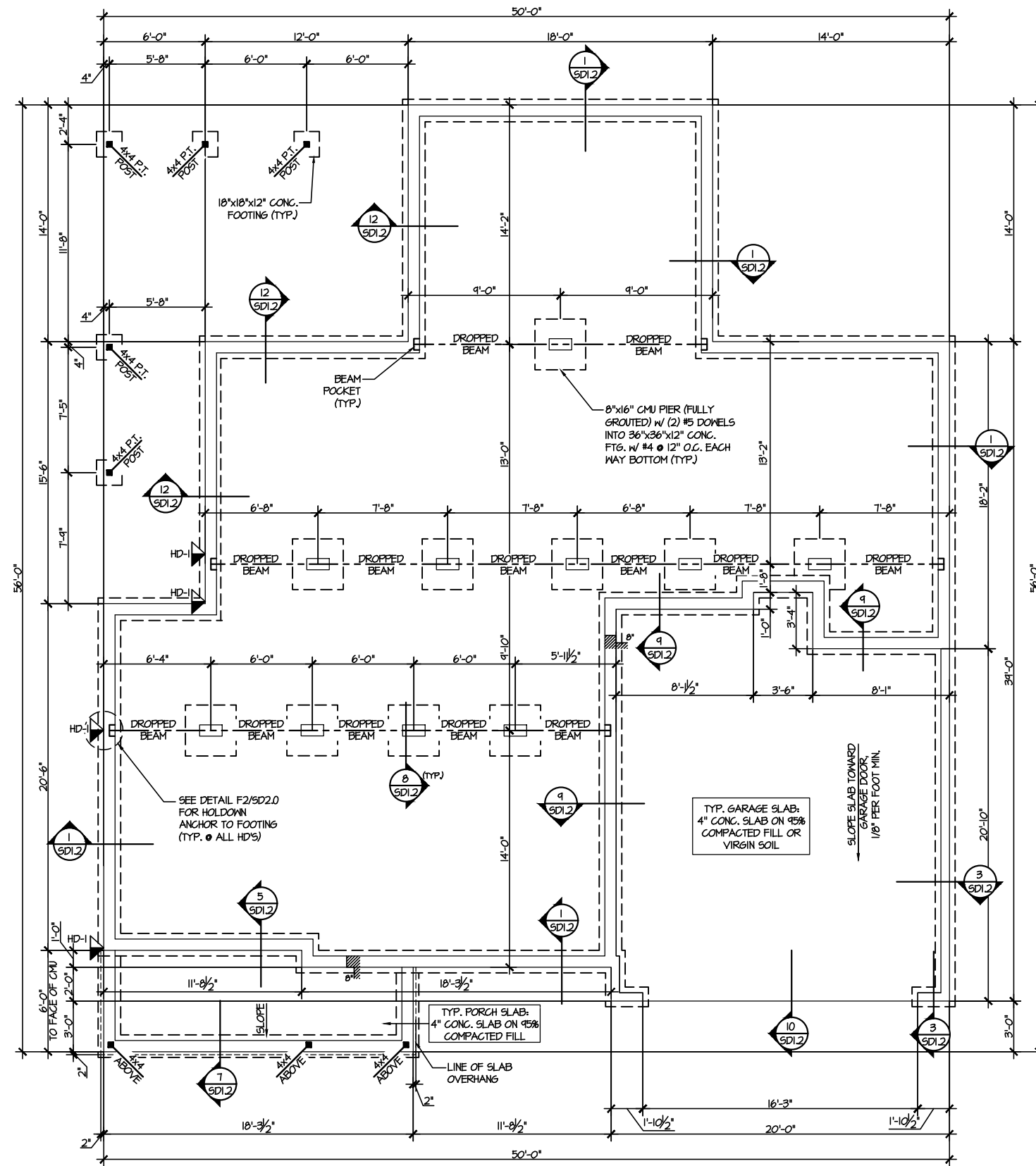
project mgr: JTR
drawn by: KFG
issue date: 02-06-24

REVISIONS:
date: initial:
05-13-24 KFG
08-12-24 RPP



FOUNDATION PLANS
HONEYCUTT HILLS
LOT 32 - STONEFIELD 1
RALEIGH, NC

sheet:
S1.0

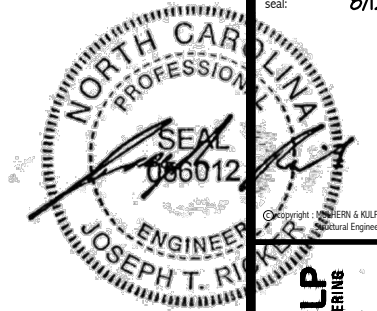


1 CRAWLSPACE FOUNDATION PLAN
SCALE: 1/8"=1'-0"

LEGEND

- [Symbol] INTERIOR BEARING WALL
- [Symbol] BEARING WALL ABOVE
- [Symbol] BEAM / HEADER
- [Symbol] INDICATES SHEAR WALL & EXTENT
- [Symbol] EXTENT OF OVERFRAMING
- JL METAL HANGER
- [Symbol] INDICATES POST ABOVE. PROVIDE SOLID BLOCKING UNDER POST OR JAMB ABOVE.
- [Symbol] INDICATES HOLD-DOWN OR STRAP. REFER TO SCHEDULE.

REFER TO 50.0 FOR TYPICAL STRUCTURAL NOTES & SCHEDULES



MULHERN+KULP
RESIDENTIAL STRUCTURAL ENGINEERING
300 Riverside Ave., Building 4 - Asheville, PA 19802
P 716-898-8881 • mulhern+kulp.com
NC LIC. #C-3825

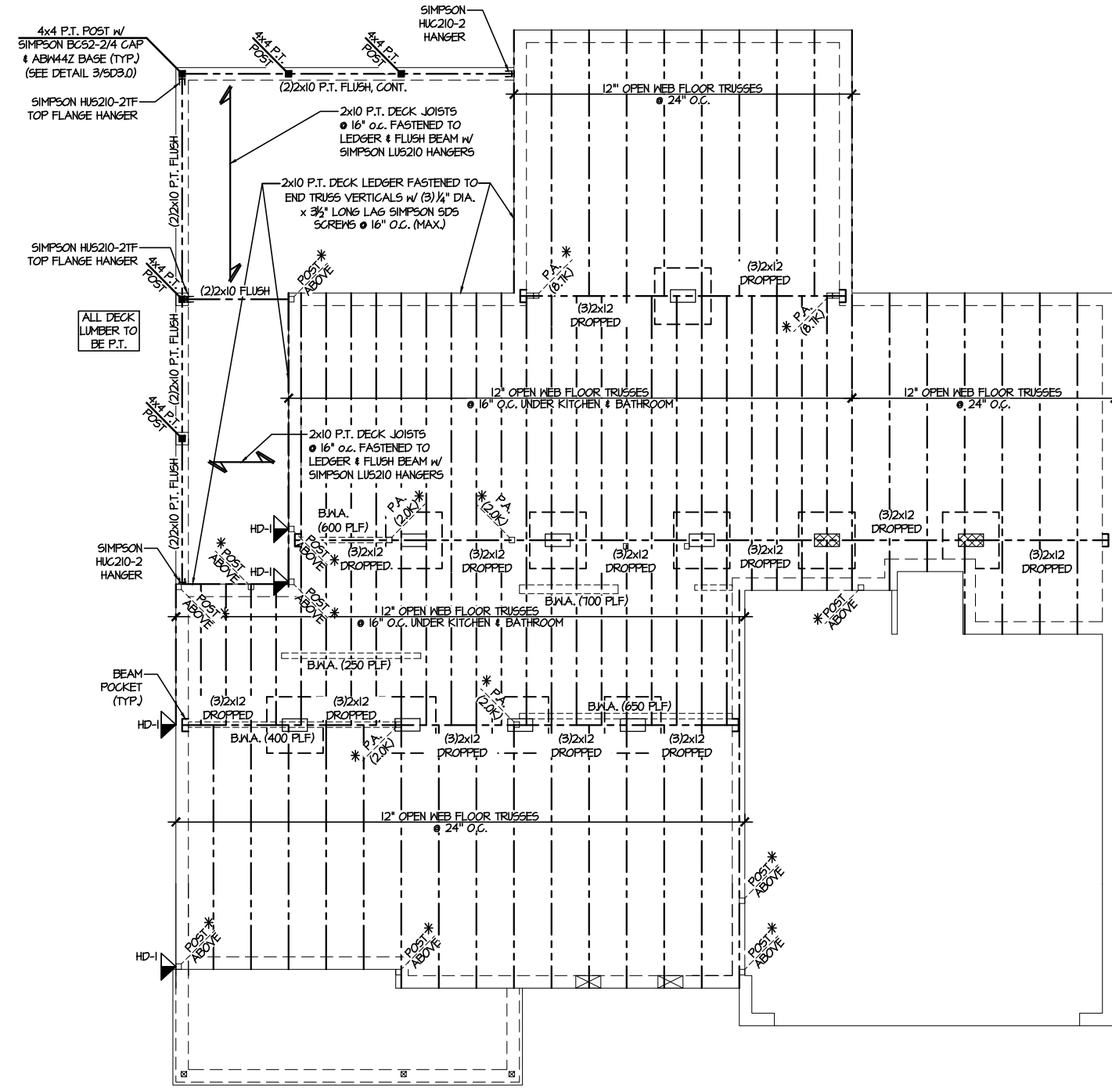
M&K project number:
126-23047
project mgr: JTR
drawn by: KFG
issue date: 02-06-24

REVISIONS:
date: initial:
05-13-24 KFG
08-12-24 RPP



FLOOR FRAMING PLANS
HONEYCUTT HILLS
LOT 32 - STONEFIELD 1
RALEIGH, NC

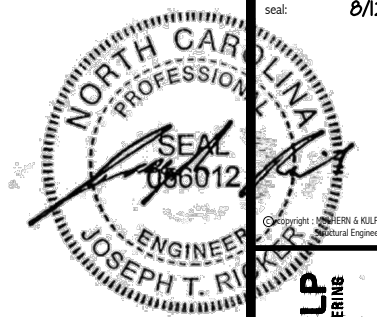
sheet:
S2.0



1 1ST FLOOR FRAMING PLAN (CRAWLSPACE)
SCALE: 1/8"=1'-0"

LEGEND	
	INTERIOR BEARING WALL
	BEARING WALL ABOVE
	BEAM / HEADER
	INDICATES SHEAR WALL & EXTENT
	EXTENT OF OVERFRAMING
	JL METAL HANGER
	* INDICATES POST ABOVE. PROVIDE SOLID BLOCKING UNDER POST OR JAMB ABOVE.
	▶ INDICATES HOLD-DOWN OR STRAP. REFER TO SCHEDULE.

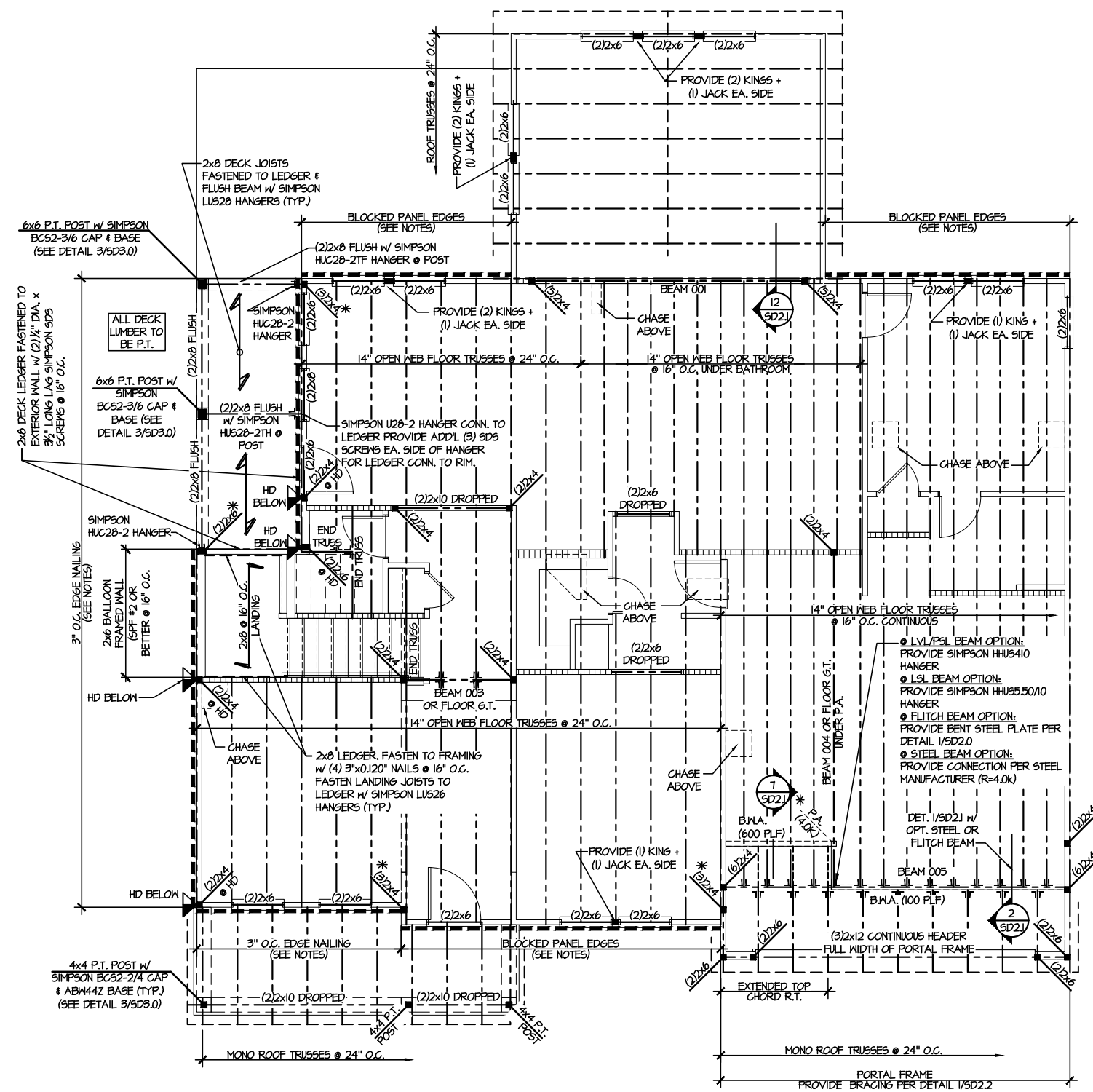
REFER TO S.O. FOR
TYPICAL STRUCTURAL NOTES
& SCHEDULES



MULHERN+KULP
RESIDENTIAL STRUCTURAL ENGINEERING
3805 Beardslee Ave., Building 4 - Asheville, PA 19802
P: 715-898-8881 • mulhern+kulp.com



M&K project number: 126-23047
project mgr: JTR
drawn by: KFG
issue date: 02-06-24
REVISIONS:
date: initial:
05-13-24 KFG
08-12-24 RPP



SD2.1 REFERS TO SD2.1A FOR LVL/PSL/LSL BEAMS OR SD2.1B FOR FLITCH BEAMS OR SD2.1C FOR STEEL BEAMS

- LEGEND**
- INTERIOR BEARING WALL
 - BEARING WALL ABOVE
 - BEAM / HEADER
 - INDICATES SHEAR WALL & EXTENT
 - EXTENT OF OVERFRAMING
 - JL METAL HANGER
 - * INDICATES POST ABOVE. PROVIDE SOLID BLOCKING UNDER POST OR JAMB ABOVE.
 - ▶ INDICATES HOLD-DOWN OR STRAP. REFER TO SCHEDULE.

REFER TO 50.0 FOR TYPICAL STRUCTURAL NOTES & SCHEDULES

ENGINEERED BEAM MATERIAL SCHEDULE

BEAM NUMBER	LVL OPTION	PSL OPTION	LSL OPTION	FLITCH OPTION	STEEL OPTION
001	(2)3/4"x16" - D	3/5"x16" - D	N/A	(2)2x12 + (1) 3/8"x1/4" STEEL FLITCH PLATES - D	W12x14 - D
002	(2)3/4"x11 1/2" - D	3/5"x11 1/2" - D	(3)3/4"x11 1/2" - D	(2)2x12 + (1) 1/2"x1/4" STEEL FLITCH PLATES - D	W12x14 - D
003	(2)3/4"x14" - F	3/5"x14" - F	(2)3/4"x14" - F	(2)2x12 + (1) 3/8"x1/4" STEEL FLITCH PLATES - F	W12x14 - F
004	(2)3/4"x14" - F	3/5"x14" - F	(3)3/4"x14" - F	(2)2x12 + (1) 3/8"x1/4" STEEL FLITCH PLATES - F	W12x14 - F
005	(3)3/4"x18" - FT	3/4"x18" - FT	N/A	(3)2x12 + (2) 3/8"x1/4" STEEL FLITCH PLATES - F	W12x26 - F
006	(3)3/4"x18" - FT	3/4"x18" - FT	N/A	(3)2x12 + (2) 3/8"x1/4" STEEL FLITCH PLATES - F	W12x26 - F
007	(2)3/4"x14" - F	3/5"x14" - F	(2)3/4"x14" - F	(2)2x12 + (1) 3/8"x1/4" STEEL FLITCH PLATES - F	W12x14 - F
008	(2)3/4"x14" - F	3/5"x14" - F	(2)3/4"x14" - F	(2)2x12 + (1) 3/8"x1/4" STEEL FLITCH PLATES - F	W12x14 - F
009	(2)3/4"x9 1/2" - D	3/5"x9 1/2" - D	(2)3/4"x9 1/2" - D	(2)2x10 + (1) 1/2"x1/4" STEEL FLITCH PLATES - D	W10x12 - D
010	(2)3/4"x16" - H	3/5"x16" - H	(3)3/4"x16" - H	(3)2x12 + (2) 3/8"x1/4" STEEL FLITCH PLATES - H	N/A
011	(2)3/4"x11 1/2" - D	3/5"x11 1/2" - D	(3)3/4"x11 1/2" - D	(2)2x12 + (1) 1/2"x1/4" STEEL FLITCH PLATES - D	W12x14 - D
012	(3)3/4"x16" - D	3/4"x16" - D	(4)3/4"x16" - D	(3)2x12 + (2) 3/8"x1/4" STEEL FLITCH PLATES - D	W12x19 - D
013	(2)3/4"x11 1/2" - D	3/5"x11 1/2" - D	(3)3/4"x11 1/2" - D	(2)2x12 + (1) 1/2"x1/4" STEEL FLITCH PLATES - D	W12x14 - D
014	(2)3/4"x16" - D	3/5"x16" - D	(3)3/4"x16" - D	(3)2x12 + (2) 3/8"x1/4" STEEL FLITCH PLATES - D	W12x14 - D
015***	(3)3/4"x11 1/2" - D	N/A	(3)3/4"x11 1/2" - D	(3)2x12 + (2) 3/8"x1/4" STEEL FLITCH PLATES - D	W12x14 - D
016	(2)3/4"x11 1/2" - F	3/5"x11 1/2" - F	(3)3/4"x11 1/2" - F	(2)2x12 + (1) 1/2"x1/4" STEEL FLITCH PLATES - F	W12x14 - F

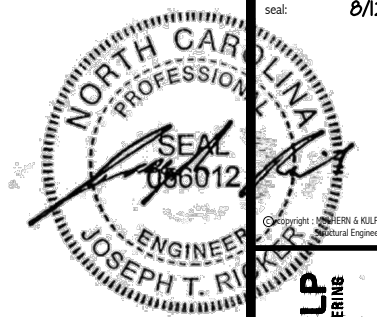
BEAM NOTATION:
 - "F" INDICATES FLUSH BEAM
 - "FT" INDICATES FLUSH TOP BEAM
 - "FB" INDICATES FLUSH BOTTOM BEAM
 - "D" INDICATES DROPPED BEAM
 - "H" INDICATES DROPPED OPENING HEADER

• REFER TO DETAIL D/SD2.0 FOR TYPICAL FLITCH BEAM CONNECTIONS
 • REFER TO DETAIL E/SD2.0 FOR TYPICAL STEEL BEAM CONNECTIONS
 • FOR FLUSH TOP BEAMS PROVIDE 2X STACKED PLATES BENEATH BEAM AS REQ'D. FASTEN PLATES IN SUCCESSION W/ (2) 3"x0.120" NAILS @ 8" O.C.
 • FOR FLUSH BOTTOM BEAMS PROVIDE 2X STACKED PLATES ATOP BEAM AS REQ'D. FASTEN PLATES IN SUCCESSION W/ (2) 3"x0.120" NAILS @ 8" O.C.

*** - SEE PLAN FOR EXTENT OF 3-PLY BEAM

2ND FLOOR FRAMING PLAN
SCALE: 1/8"=1'-0"

DRB HOMES
 FLOOR FRAMING PLANS
 HONEYCUTT HILLS
 LOT 32 - STONEFIELD 1
 RALEIGH, NC
 sheet: **S3.0**



MULHERN+KULP
RESIDENTIAL STRUCTURAL ENGINEERING
3805 Beardslee Ave, Building 4 - Asheville, PA 18002
P 716-946-8881 • mulhernkulp.com
NC LIC. #C-3825



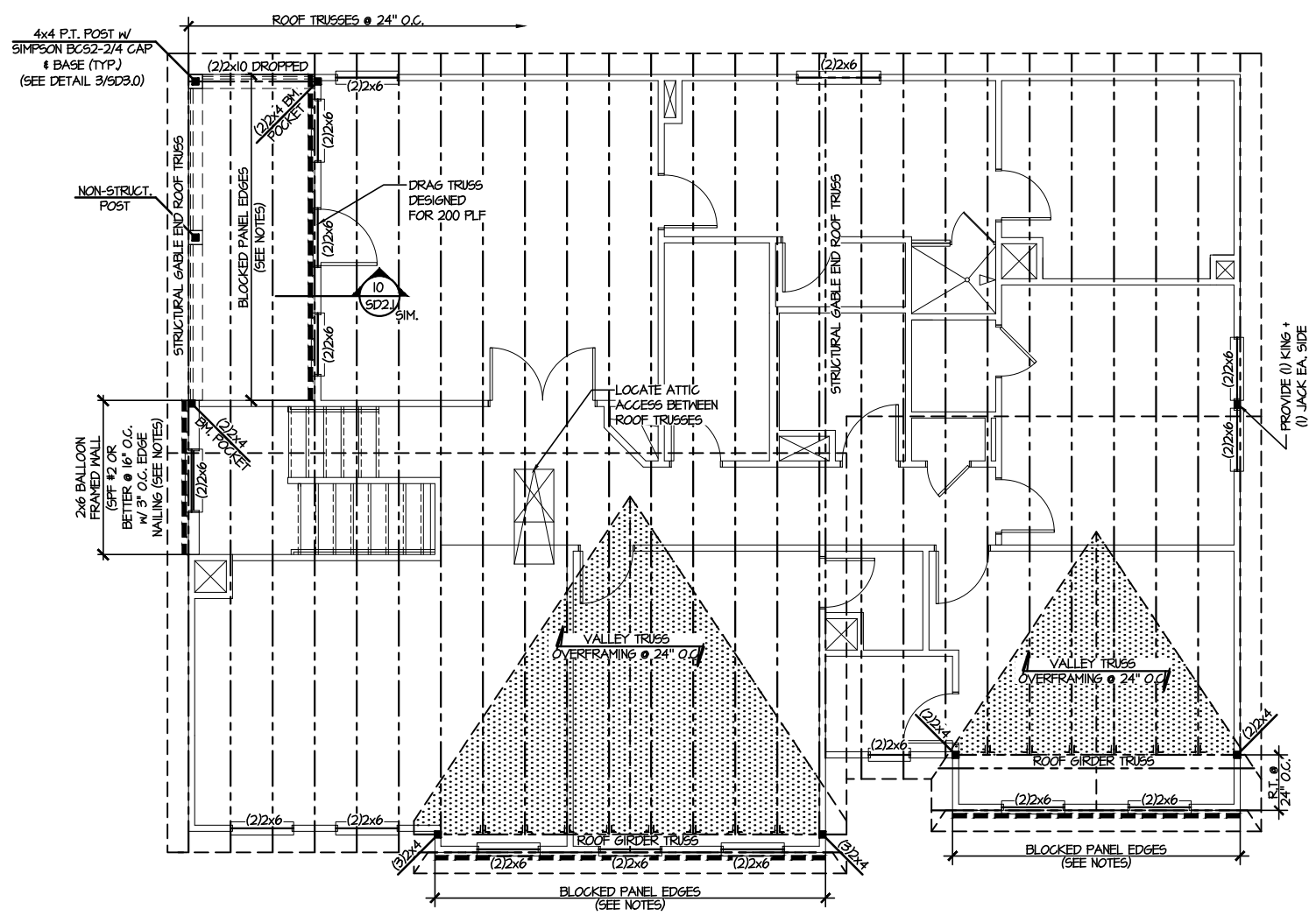
M&K project number:
126-23047
project mgr: JTR
drawn by: KFG
issue date: 02-06-24

REVISIONS:
date: initial:
05-13-24 KFG
08-12-24 RPP



ROOF FRAMING PLANS
HONEYCUTT HILLS
LOT 32 - STONEFIELD 1
RALEIGH, NC

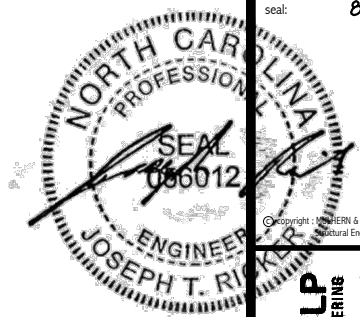
sheet:
S4.0



1 ROOF FRAMING PLAN
SCALE: 1/8"=1'-0"

LEGEND	
	INTERIOR BEARING WALL
	BEARING WALL ABOVE
	BEAM / HEADER
	INDICATES SHEAR WALL & EXTENT
	EXTENT OF OVERFRAMING
	JL METAL HANGER
	* INDICATES POST ABOVE. PROVIDE SOLID BLOCKING UNDER POST OR JAMB ABOVE.
	▷ INDICATES HOLD-DOWN OR STRAP. REFER TO SCHEDULE.

REFER TO S.O. FOR TYPICAL STRUCTURAL NOTES & SCHEDULES



MULHERN+KULP
RESIDENTIAL STRUCTURAL ENGINEERING
3800 Bechtel Ave., Building 4 - Asheville, PA 19802
P: 718-998-8881 • m+k@mulhernkulp.com
N.C. LIC. #C-3825

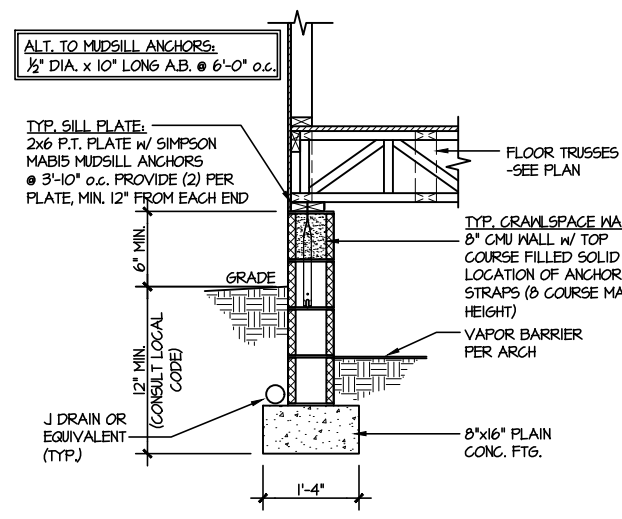
M&K project number: 126-23047
project mgr: JTR
drawn by: KFG
issue date: 02-06-24
REVISIONS:
date: initial:
05-13-24 KFG
08-12-24 RPP

DRB
HOMES

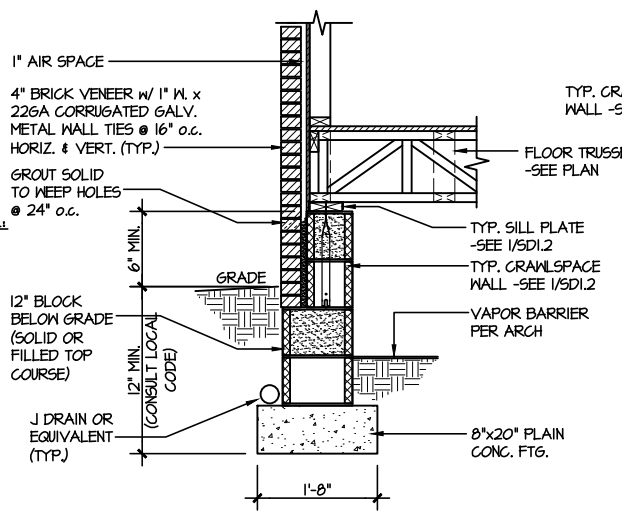
FOUNDATION DETAILS
HONEYCUTT HILLS
LOT 32 - STONEFIELD 1
RALEIGH, NC

sheet: **SD1.2**

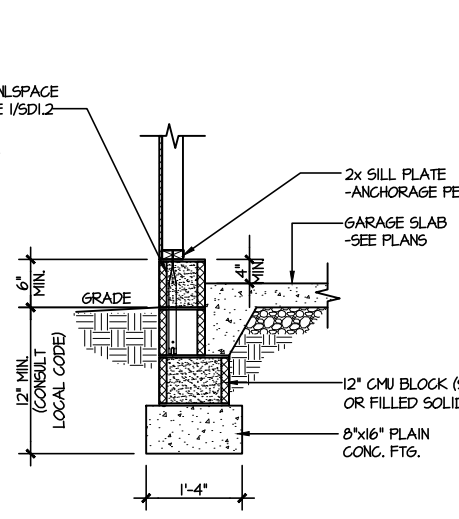
LETTERED DETAILS ARE TYPICAL FOR THIS HOME & SHALL BE IMPLEMENTED IN ALL APPLICABLE AREAS. THESE DETAILS ARE NOT "CUT" ON THE PLANS.
NUMBERED DETAILS ARE PLAN SPECIFIC AND ARE ONLY REQUIRED WHERE SPECIFICALLY INDICATED ("CUT") ON THE PLANS.



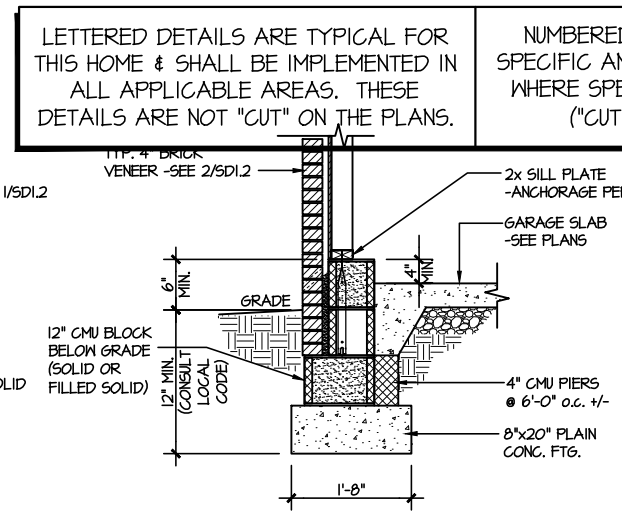
1 TYPICAL CRAWLSPACE FOUNDATION
SCALE: 3/8"=1'-0"



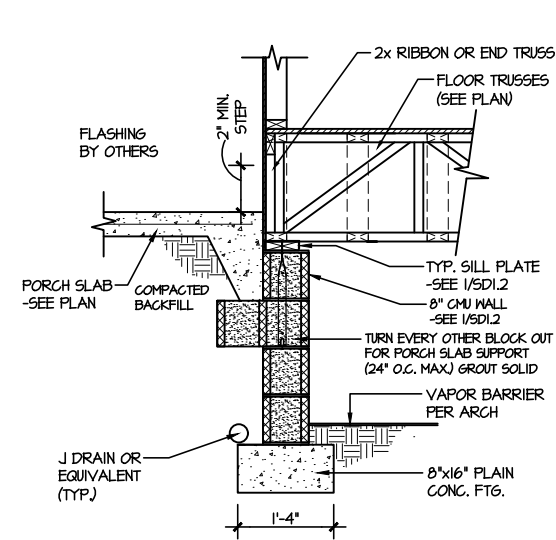
2 TYPICAL CRAWLSPACE FOUNDATION
SCALE: 3/8"=1'-0" w/ BRICK VENEER



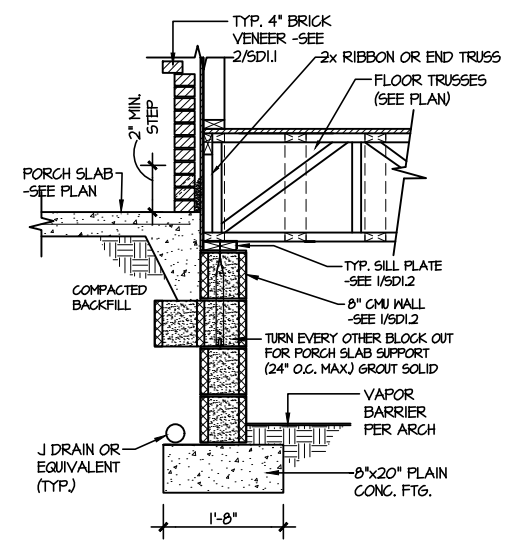
3 TYPICAL GARAGE FOUNDATION
SCALE: 3/8"=1'-0"



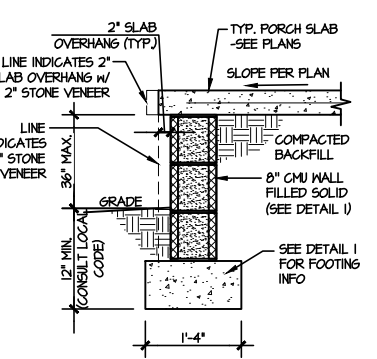
4 TYPICAL GARAGE FOUNDATION
SCALE: 3/8"=1'-0" w/ BRICK VENEER



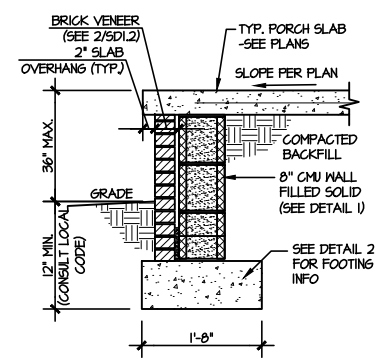
5 TYPICAL CRAWLSPACE FOUNDATION @ PORCH/PATIO SLAB
SCALE: 3/8"=1'-0"
(REFER TO DETAIL 12 FOR WOOD PORCH OPTION)



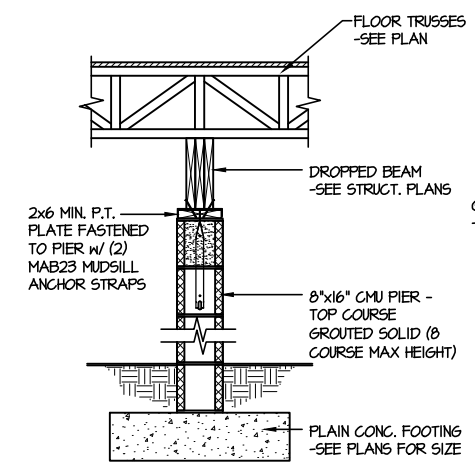
6 TYPICAL CRAWLSPACE FOUNDATION @ PORCH/PATIO SLAB
SCALE: 3/8"=1'-0" w/ BRICK VENEER



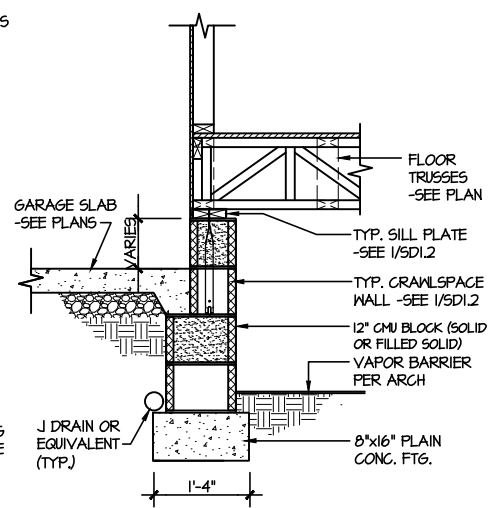
7A TYP. FOOTING @ PORCH SLAB
SCALE: 3/8"=1'-0"



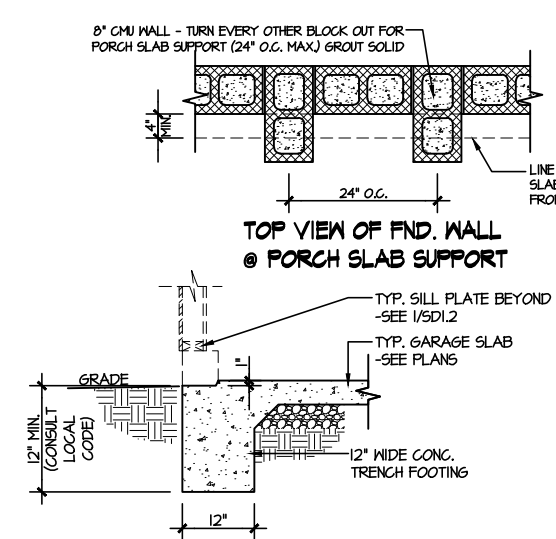
7B TYP. FOOTING @ PORCH SLAB
SCALE: 3/8"=1'-0" w/ BRICK VENEER



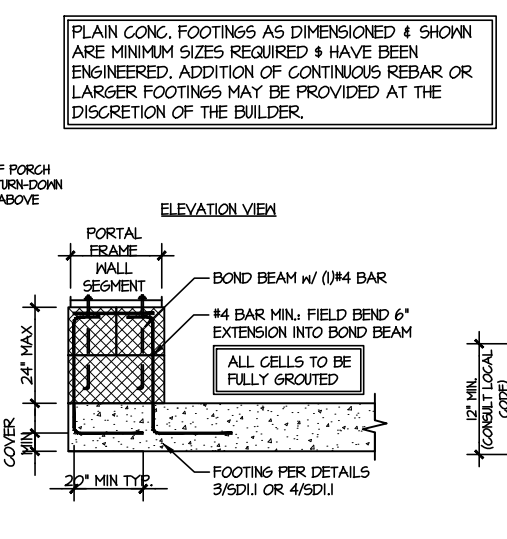
8 TYPICAL CRAWLSPACE FND. @ INTERIOR PIER
SCALE: 3/8"=1'-0"



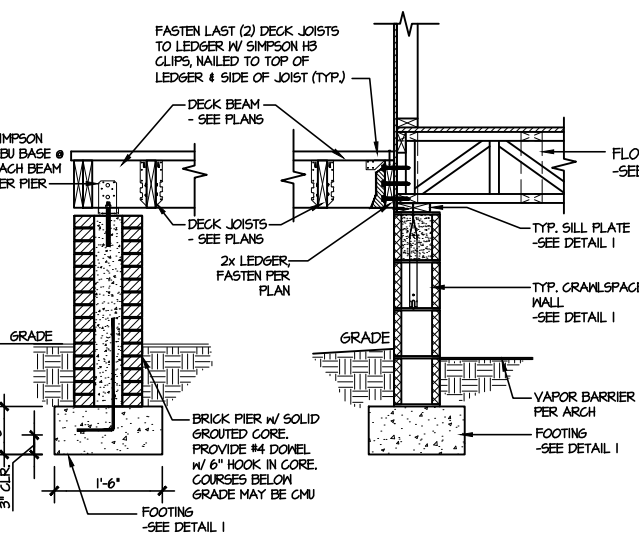
9 TYPICAL CRAWLSPACE FOUNDATION @ GARAGE
SCALE: 3/8"=1'-0"



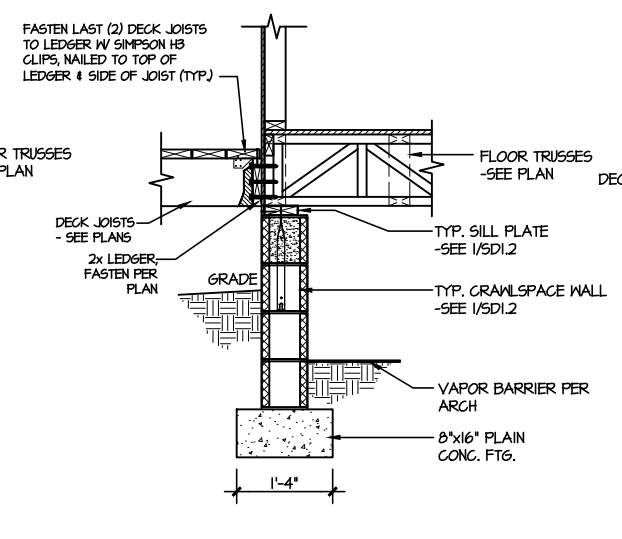
10 TYPICAL SLAB ON GRADE GARAGE ENTRY @ PERIMETER FOOTING
SCALE: 3/8"=1'-0"



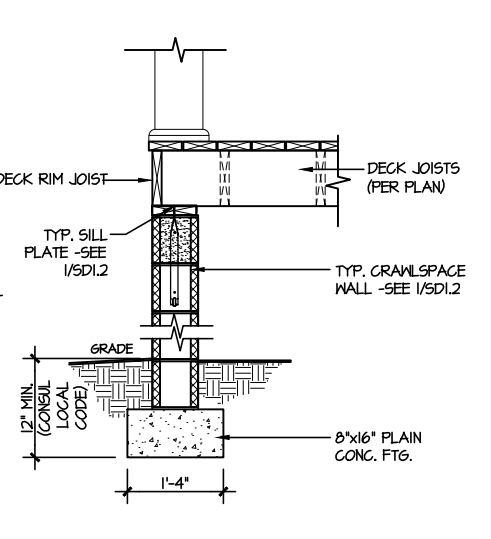
A GARAGE PORTAL FRAME STEM WALL REINFORCEMENT
SCALE: 3/8"=1'-0"



11 TYPICAL CRAWLSPACE FOUNDATION @ WOOD PORCH/DECK w/ PIERS
SCALE: 3/8"=1'-0"

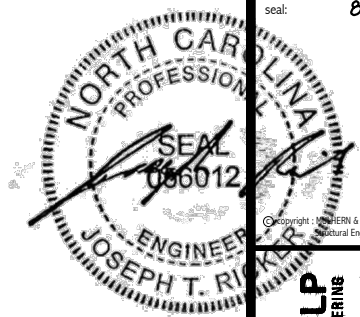


12 TYPICAL CRAWLSPACE FOUNDATION @ WOOD PORCH/DECK
SCALE: 3/8"=1'-0"



13 TYPICAL CRAWLSPACE FOUNDATION @ WOOD PORCH/DECK PERIMETER
SCALE: 3/8"=1'-0"

FILE: RLH - Honeycutt Hills - Lot 32 - Structural DATE: 8/12/2024 3:53 PM



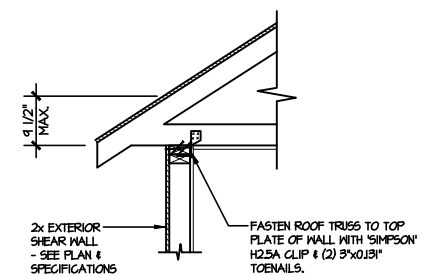
MULHERN+KULP
RESIDENTIAL STRUCTURAL ENGINEERING
3300 Bechtel Ave, Building 4 - Ashboro, PA 19002
P: 717-898-8881 • m.kulps@mulhernkulp.com
N.C. LIC. #C-3825

M&K project number:
126-23047
project mgr: JTR
drawn by: KFG
issue date: 02-06-24
REVISIONS:
date: initial:
05-13-24 KFG
08-12-24 RPP

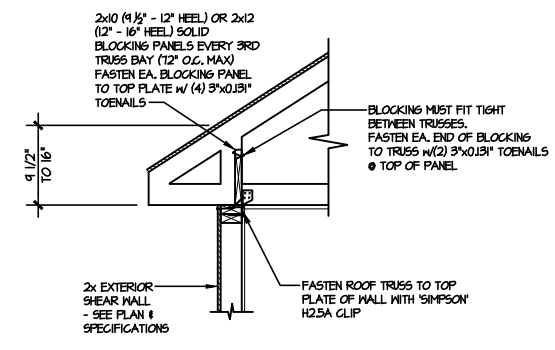
DRB
HOMES

FRAMING DETAILS
HONEYCUTT HILLS
LOT 32 - STONEFIELD 1
RALEIGH, NC

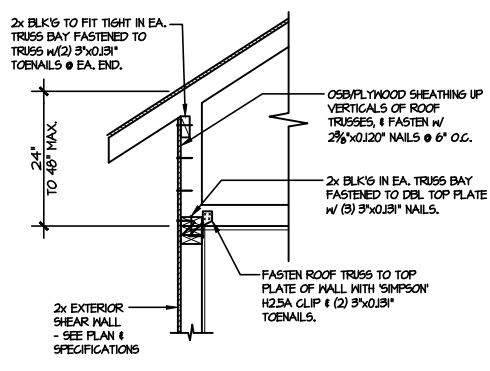
sheet:
SD2.0



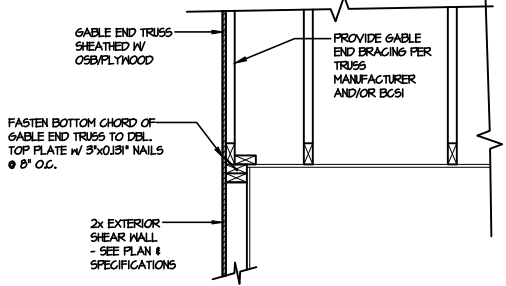
A1 TYPICAL SHEAR TRANSFER DETAIL @ ROOF
SCALE: 3/8"=1'-0"
HEEL HEIGHT LESS THAN 4 1/2"
NO BLOCKING REQ'D



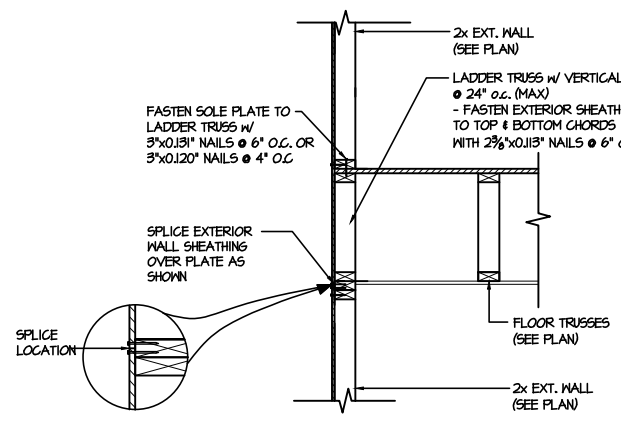
A2 TYPICAL SHEAR TRANSFER DETAIL @ ROOF
SCALE: 3/8"=1'-0"
HEEL HEIGHT BETWEEN 4 1/2" - 16"
BLOCKING REQ'D



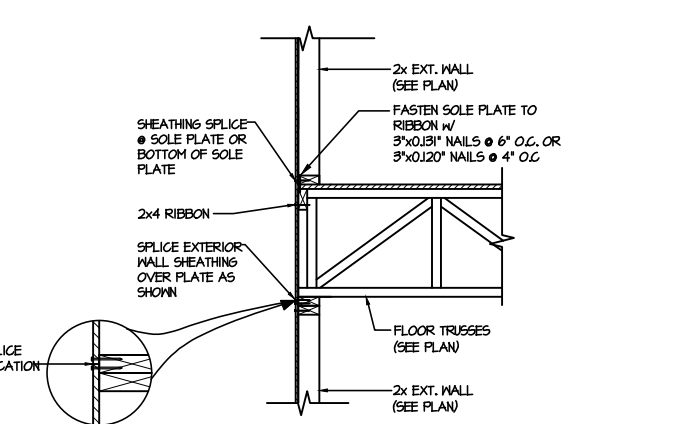
A3 TYPICAL SHEAR TRANSFER DETAIL @ RAISED HEEL TRUSS
SCALE: 3/8"=1'-0"
HEEL HEIGHT UP TO 48" MAX.



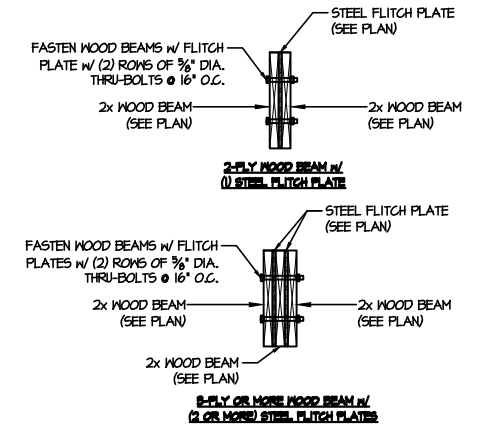
B TYPICAL GABLE END DETAIL
SCALE: 3/8"=1'-0"



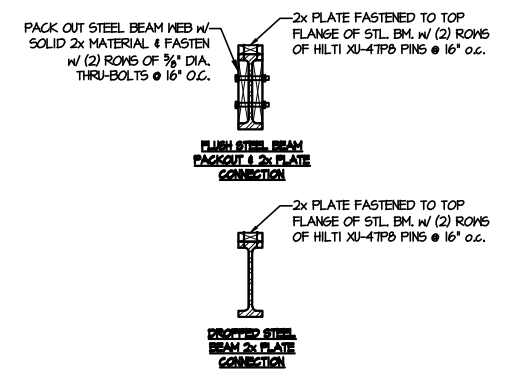
C1 TYPICAL SHEAR TRANSFER DETAIL BETWEEN FLOORS @ EXTERIOR WALL
SCALE: 3/8"=1'-0"
PARALLEL FRMS



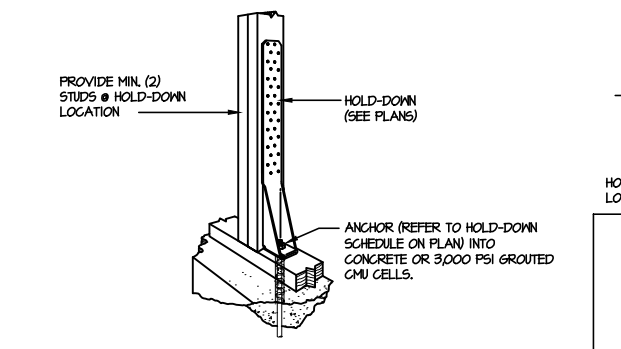
C2 TYPICAL SHEAR TRANSFER DETAIL BETWEEN FLOORS @ EXTERIOR WALL
SCALE: 3/8"=1'-0"
PERPENDICULAR FRMS



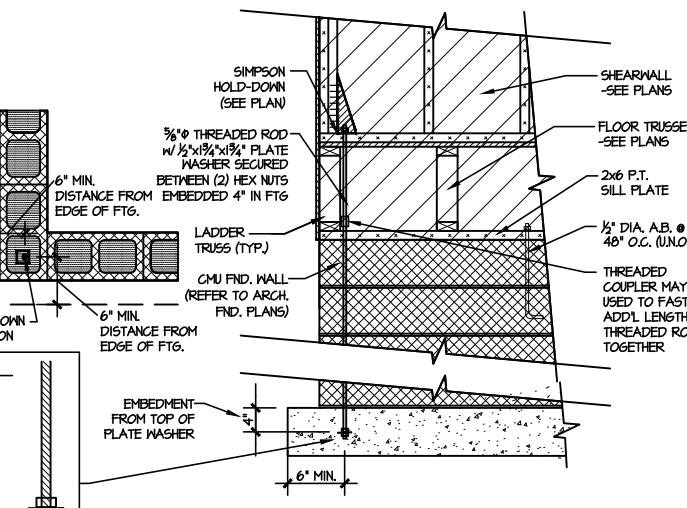
D TYPICAL FLITCH BEAM CONNECTION DETAIL
SCALE: 3/4"=1'-0"



E TYPICAL STEEL BEAM CONNECTION DETAIL
SCALE: 3/4"=1'-0"



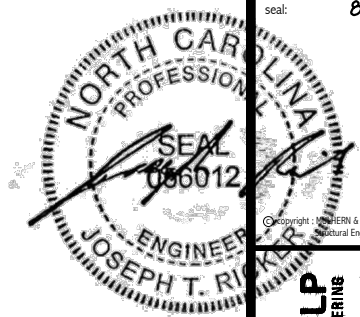
F1 TYPICAL HOLD DOWN INSTALLATION
SCALE: N.T.S.



F2 TYPICAL CMU FOUNDATION HOLD-DOWN INSTALLATION
SCALE: N.T.S. (CORNER SHOWN - APPLICABLE TO ALL CONDITIONS)

LETTERED DETAILS ARE TYPICAL FOR THIS HOME & SHALL BE IMPLEMENTED IN ALL APPLICABLE AREAS. THESE DETAILS ARE NOT "CUT" ON THE PLANS.

NUMBERED DETAILS ARE PLAN SPECIFIC AND ARE ONLY REQUIRED WHERE SPECIFICALLY INDICATED ("CUT") ON THE PLANS.



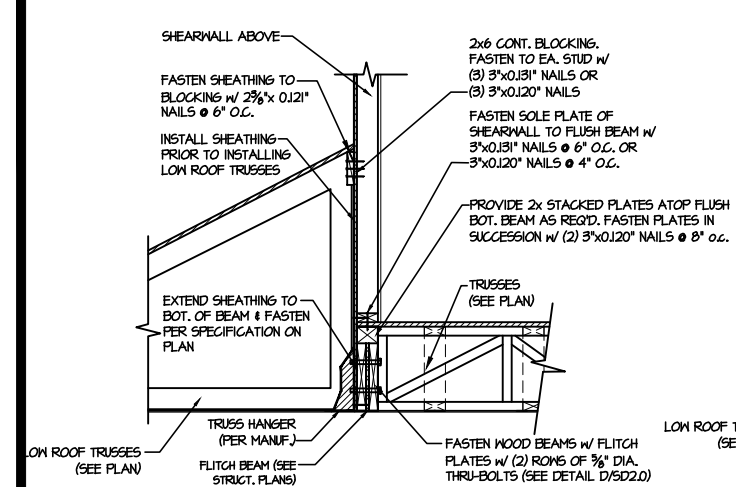
MULHERN+KULP
RESIDENTIAL STRUCTURAL ENGINEERING
3805 Beavertide Ave., Building 4 - Ashboro, PA 18002
P: 717-948-8881 • m.kulps@mulhernkulp.com
N.C. LIC. #C-3825

M&K project number:
126-23047
project mgr: JTR
drawn by: KFG
issue date: 02-06-24

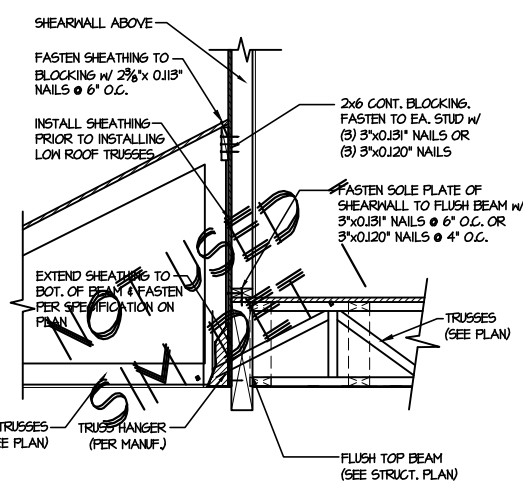
REVISIONS:
date: initial:
05-13-24 KFG
08-12-24 RPP

DRB
HOMES

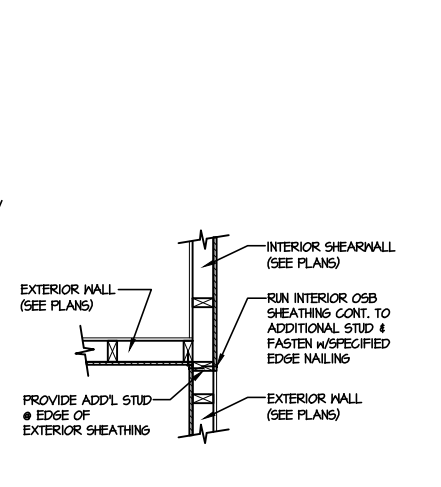
FRAMING DETAILS
HONEYCUTT HILLS
LOT 32 - STONEFIELD 1
RALEIGH, NC



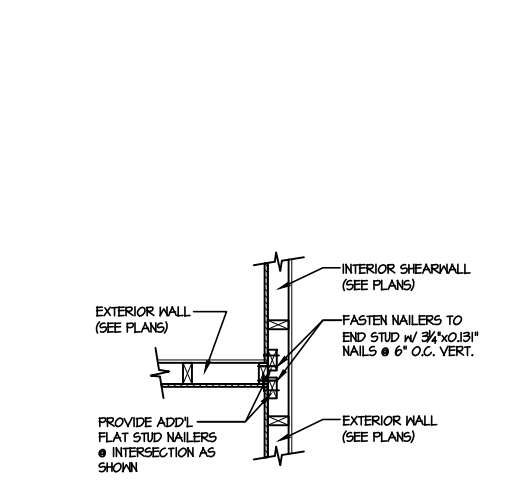
1 SHEAR TRANSFER DETAIL @ EXTERIOR SHEARWALL ABOVE
SCALE: 3/4"=1'-0"



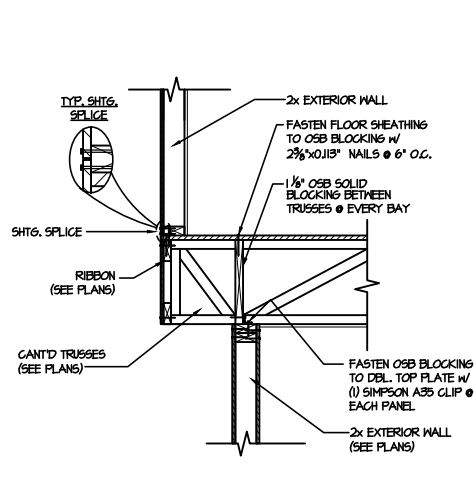
2 SHEAR TRANSFER DETAIL @ EXTERIOR SHEARWALL ABOVE
SCALE: 3/4"=1'-0"



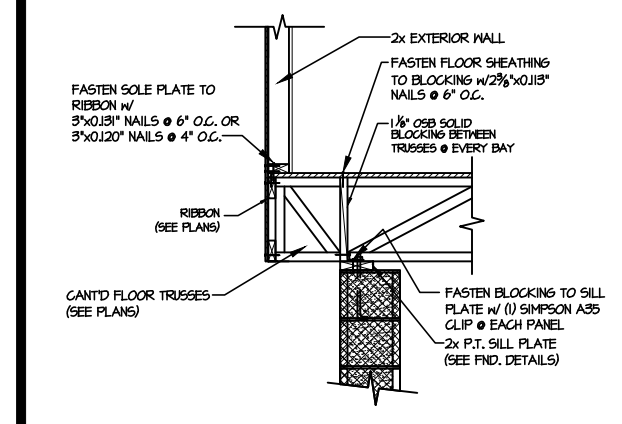
3 SHEAR TRANSFER DETAIL @ INTERSECTING INT. SHEARWALL
SCALE: 3/4"=1'-0" SHTG. OPPOSITE FACES



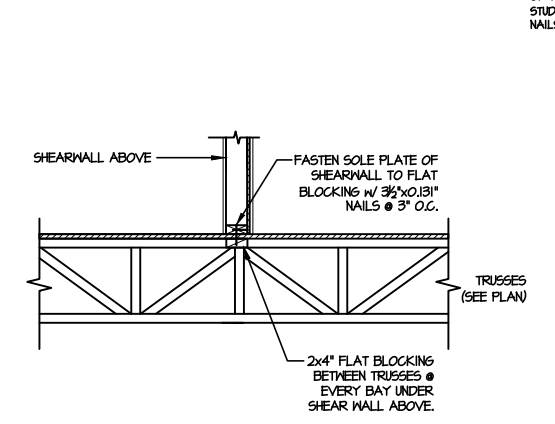
4 SHEAR TRANSFER DETAIL @ INTERSECTING INT. SHEARWALL
SCALE: 3/4"=1'-0" SHTG. ON SAME FACE



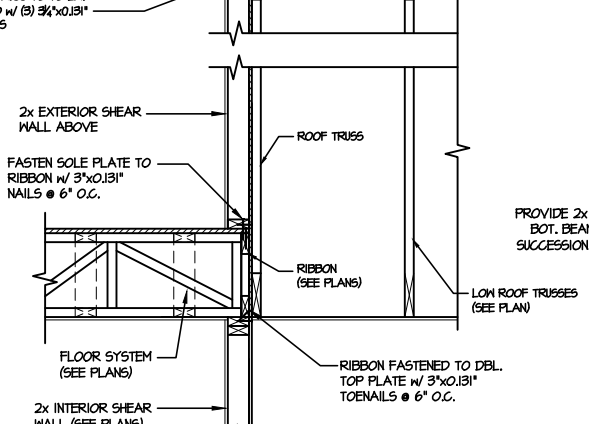
5 SHEAR TRANSFER DETAIL BETWEEN FLOORS @ CANT'D EXT. WALL
SCALE: 3/4"=1'-0" PERPENDICULAR FRAMING



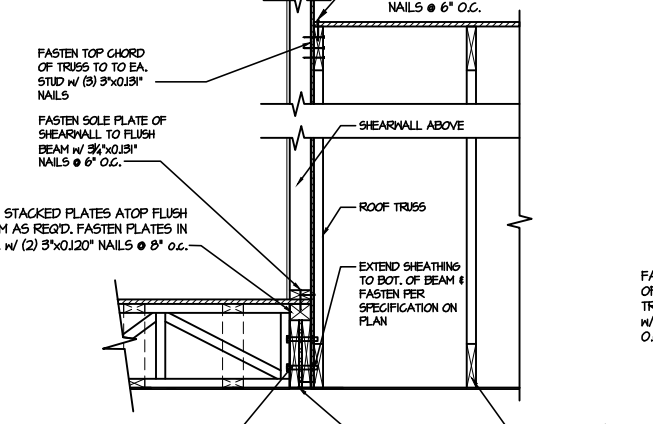
6 SHEAR TRANSFER DETAIL @ CANT'D EXTERIOR WALL
SCALE: 3/4"=1'-0"



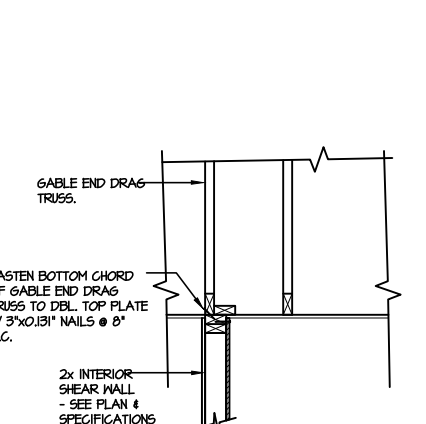
7 SHEAR TRANSFER DETAIL @ INTERIOR SHEARWALL ABOVE
SCALE: 3/4"=1'-0" PERPENDICULAR FRAMING



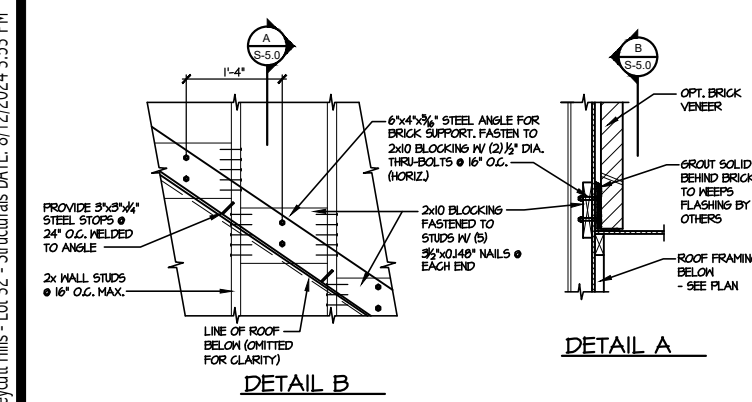
8 TYPICAL SHEAR TRANSFER DETAIL BETWEEN FLOORS @ INTERIOR WALL
SCALE: 3/4"=1'-0"



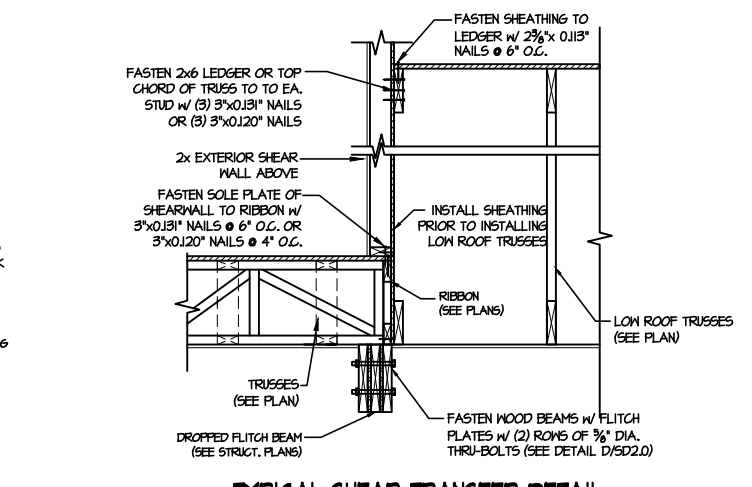
9 SHEAR TRANSFER DETAIL @ EXTERIOR SHEARWALL ABOVE
SCALE: 3/4"=1'-0"



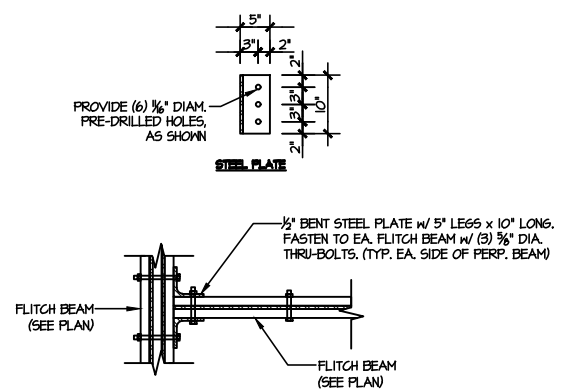
10 INTERIOR GABLE END DETAIL
SCALE: 3/4"=1'-0"



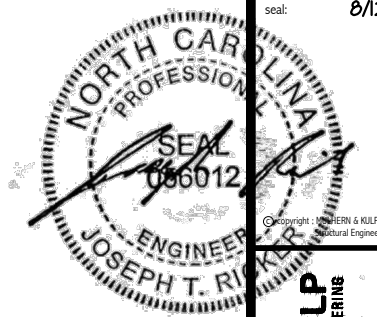
11 DETAIL SUPPORT OF BRICK VENEER
SCALE: 3/4"=1'-0"



12 TYPICAL SHEAR TRANSFER DETAIL BETWEEN FLOORS @ INTERIOR WALL
SCALE: 3/4"=1'-0"



13 TYPICAL FLITCH BEAM TO FLITCH BEAM CONNECTION DETAIL
SCALE: 3/4"=1'-0"



Copyright: MULHERN + KULP Structural Engineering, Inc.

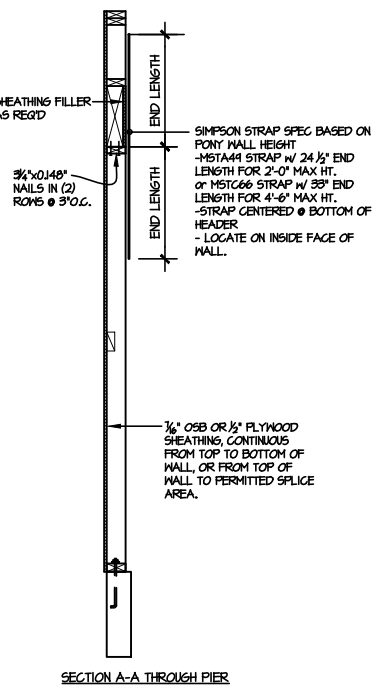
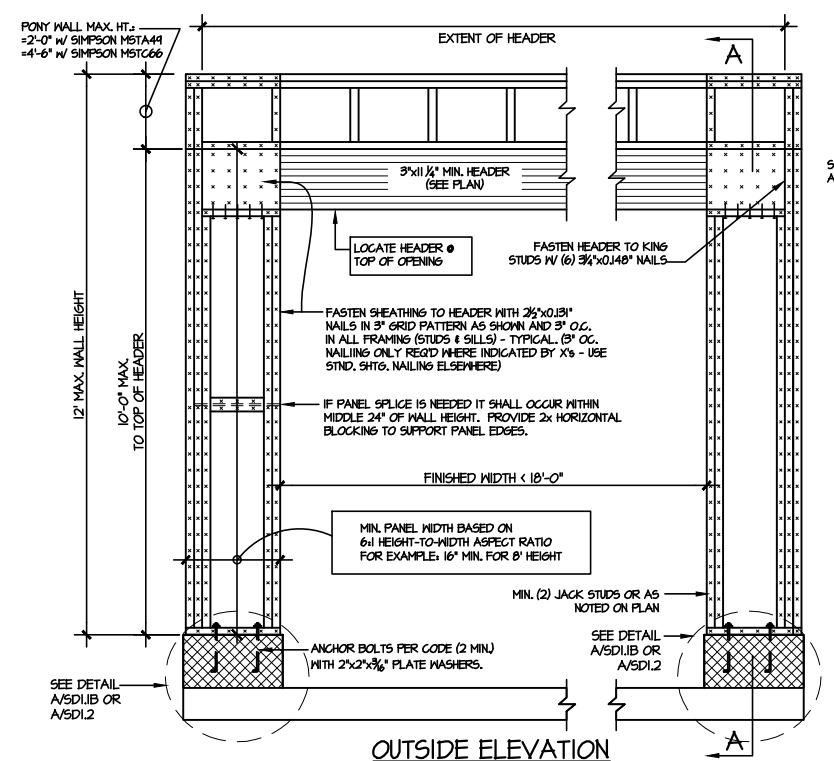
MULHERN+KULP
RESIDENTIAL STRUCTURAL ENGINEERING
3803 Beardslee Ave., Building 4 - Asheville, PA 19802
P 718-948-8881 • mulhern+kulp.com
NC LIC. #C-3825

M&K project number:
126-23047
project mgr: JTR
drawn by: KFG
issue date: 02-06-24
REVISIONS:
date: initial:
05-13-24 KFG
08-12-24 RPP

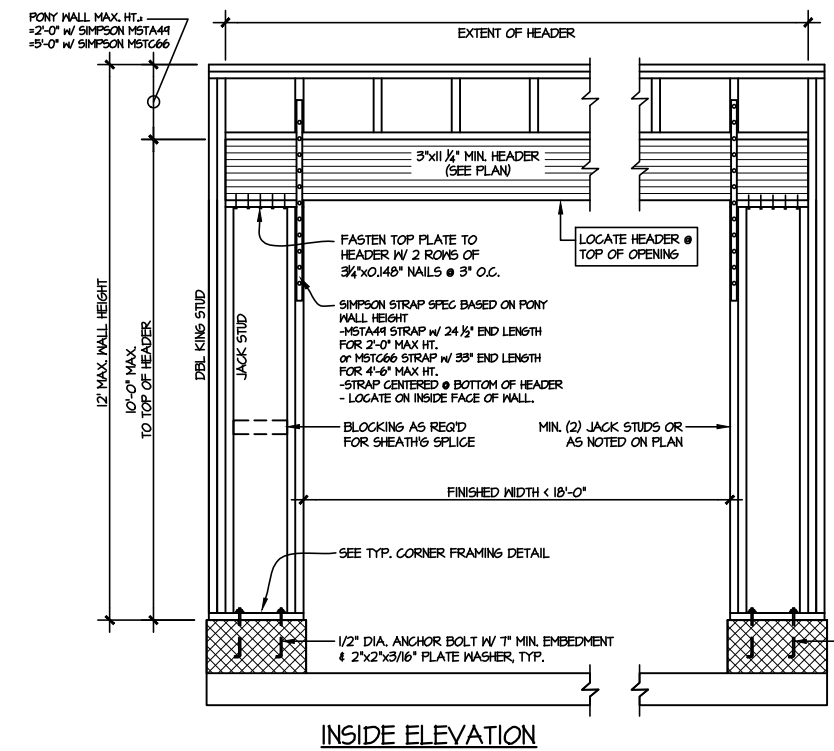
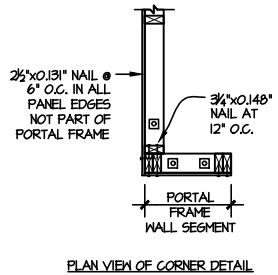


FRAMING DETAILS
HONEYCUTT HILLS
LOT 32 - STONEFIELD 1
RALEIGH, NC

sheet:
SD2.2

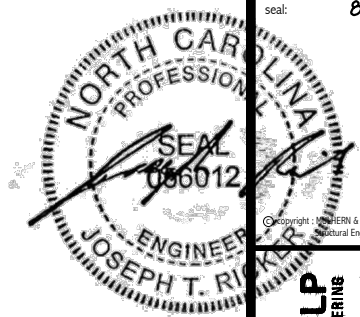


NOTE: ALL SHEATHABLE AREAS OF EXTERIOR WALL SHALL BE FULLY SHEATHED WITH 1/2" PLYWOOD OR 3/4" OSB



ALTERNATIVE TO 1/2" DIA. ANCHOR BOLT:
1/2" DIA. THREADED ROD EPOXY SET
w/ 4 1/2" EMBED. (MIN UTILIZING HILTI HY200 EPOXY ANCHORING SYSTEM (OR EQUAL))

② TWO SIDED GARAGE PORTAL FRAME BRACING ELEVATION ON CMU STEM
SCALE: N.T.S.



MULHERN+KULP
RESIDENTIAL STRUCTURAL ENGINEERING
3000 Beardslee Ave, Building 4 - Asheville, PA 18002
P 212-946-8891 • mulhernkulp.com
NC LIC. #C-3825



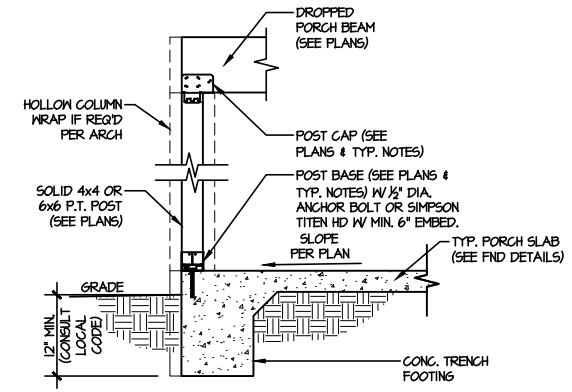
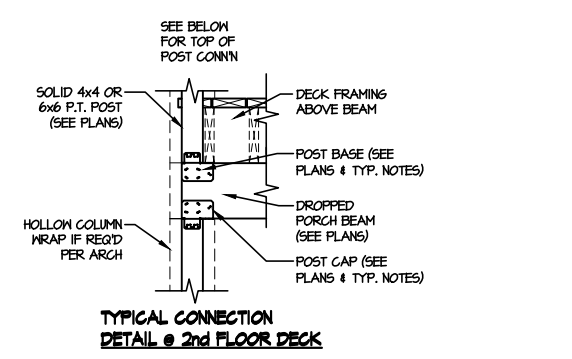
M&K project number:
126-23047
project mgr: JTR
drawn by: KFG
issue date: 02-06-24

REVISIONS:
date: initial:
05-13-24 KFG
08-12-24 RPP

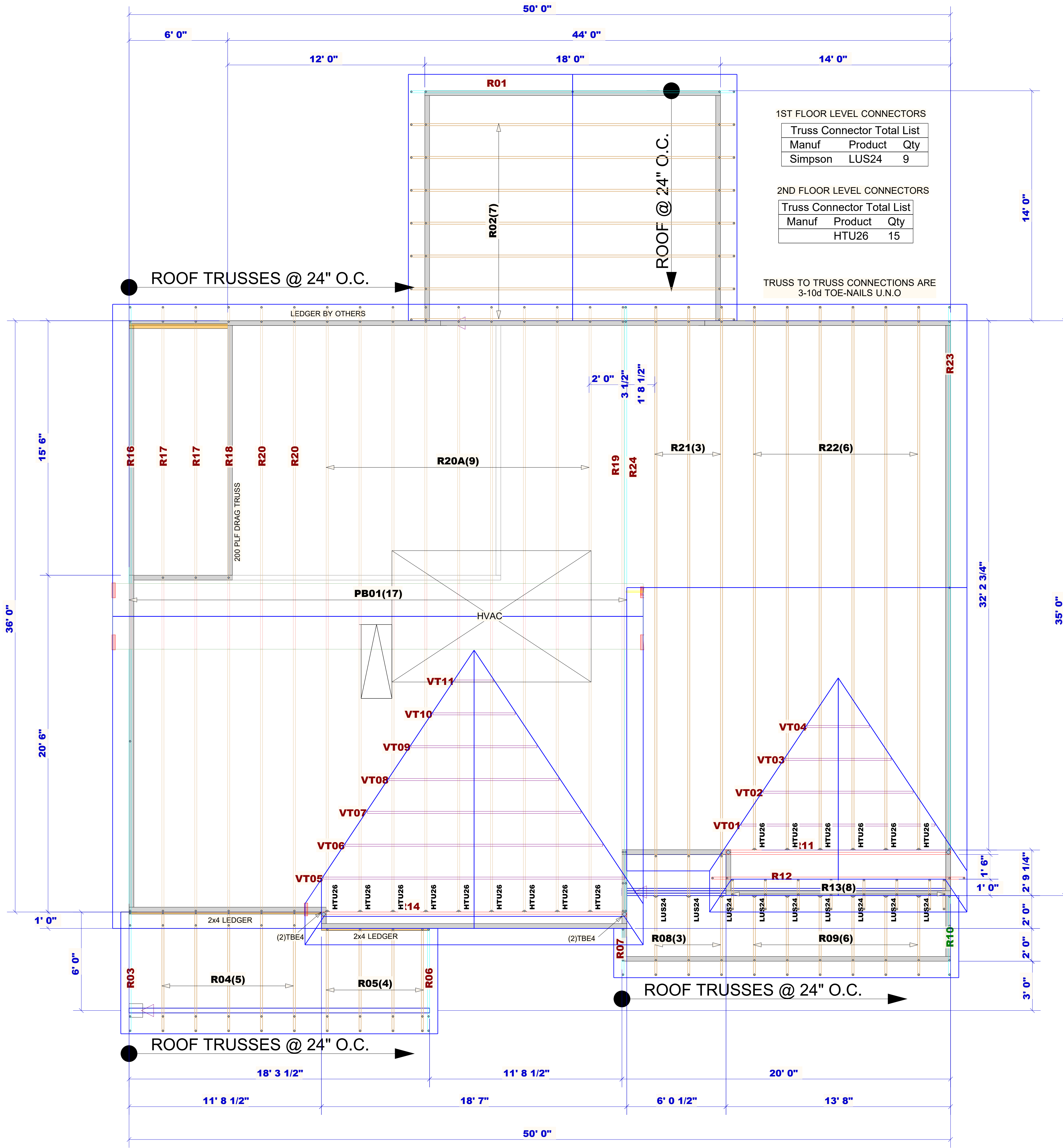


FRAMING DETAILS
HONEYCUTT HILLS
LOT 32 - STONEFIELD 1
RALEIGH, NC

sheet:
SD3.0



3 SCALE: NONE
SLAB ON GRADE SHOWN
(SIM. @ CRAWL & BGMT.)



1ST FLOOR LEVEL CONNECTORS

Truss Connector Total List		
Manuf	Product	Qty
Simpson	LUS24	9

2ND FLOOR LEVEL CONNECTORS

Truss Connector Total List		
Manuf	Product	Qty
	HTU26	15

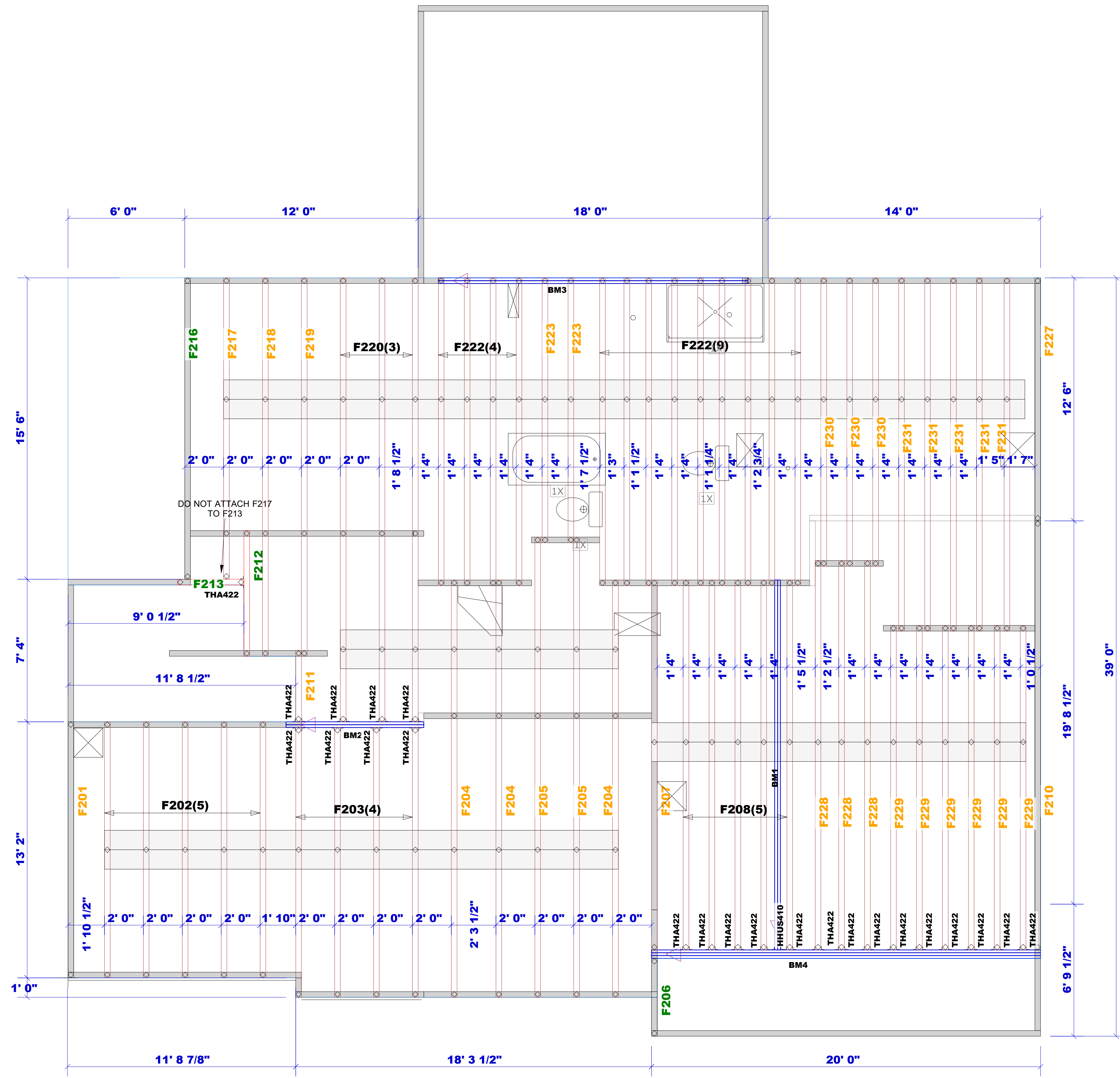
TRUSS TO TRUSS CONNECTIONS ARE 3-10d TOE-NAILS U.N.O

FOR PERMIT

Client:	DRB GROUP-RALEIGH
Job:	LOT 0.0032 HONEYCUTT HILL
Plan Information:	STONEFIELD-1
NOT TO SCALE	Date: 1-11-17
Drawn By: CGT	Job #: Sales Rep: KYLE GIBSON
	24-1099-R01 Phone: 843-729-3249



1998 Cane Gully Road, Moncks Corner SC 29461
 Phone: (800) 475-3999 Fax (843) 565-3193
 Web: www.atlanticbcs.com



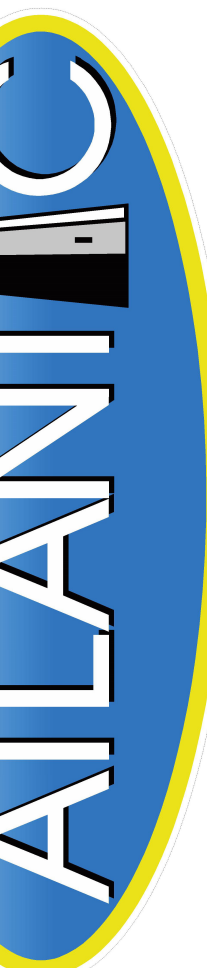
Truss Connector Total List		
Manuf	Product	Qty
Simpson	THA422	23

Connector Summary			
Qty	Manuf	Product	Flange
1	Simpson	HHUS410	None

Products					
PlotID	Length	Product	Plies	Net Qty	Fab Type
BM1	20' 0"	1-3/4" x 14" VERSA-LAM® 2.0 3100 SP	2	2	MFD
BM2	8' 0"	1-3/4" x 14" VERSA-LAM® 2.0 3100 SP	2	2	MFD
BM3	16' 0"	1-3/4" x 16" VERSA-LAM® 2.0 3100 SP	2	2	MFD
BM4	20' 0"	1-3/4" x 18" VERSA-LAM® 2.0 3100 SP	3	3	MFD

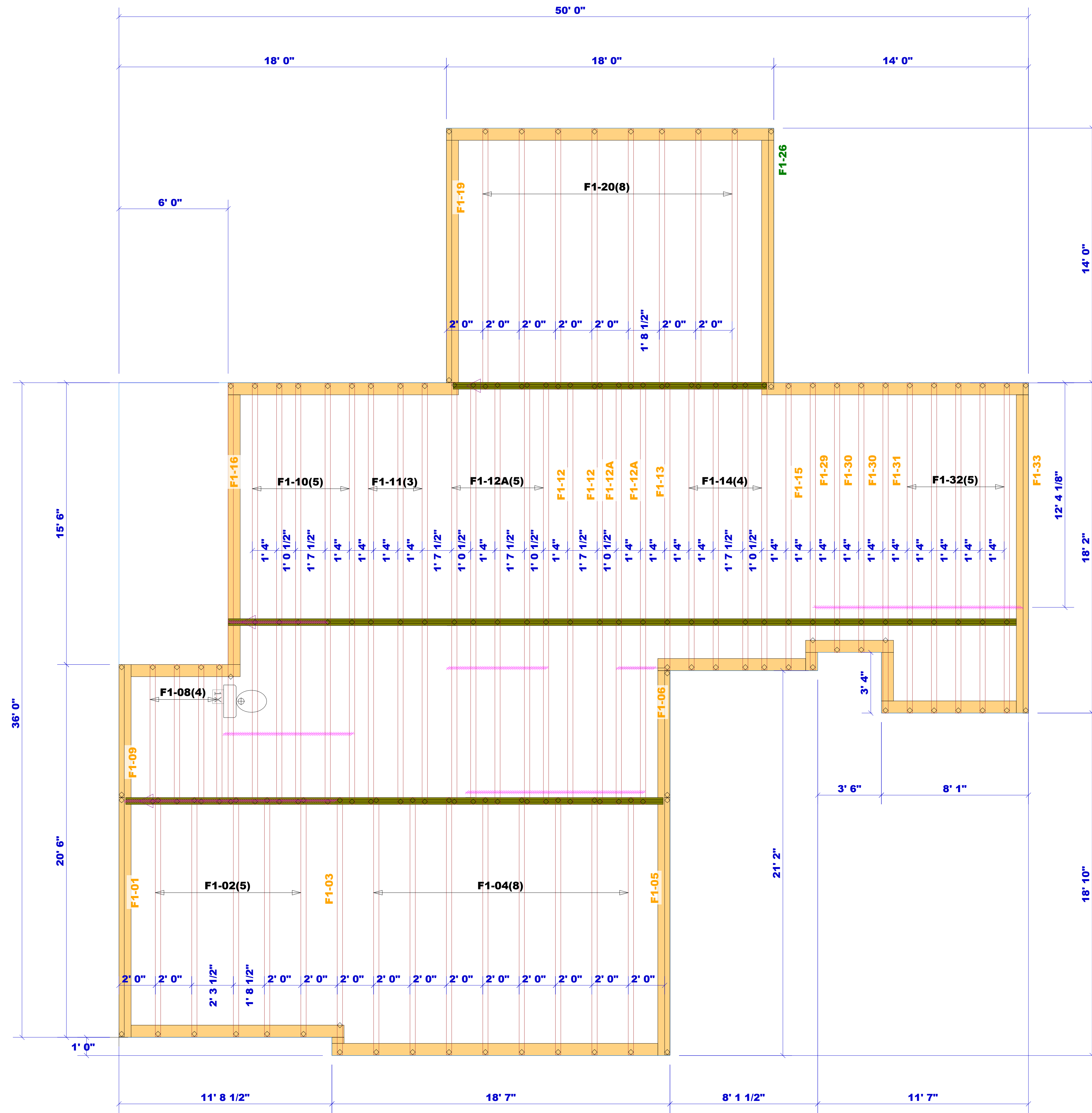
FOR PERMIT

Client: DRB GROUP-RALEIGH
 Job: LOT 0.0032 HONEYCUTT HILL
 Plan Information: STONEFIELD-1



1998 Cane Gully Road, Moncks Corner SC 29461
 Phone: (800) 475-3999 Fax (843) 565-3193
 Web: www.atlantificbs.com

NOT TO SCALE
 Drawn By: CGT
 Date: 1-11-17
 Job #: 24-1099-F02
 Sales Rep: KYLE GIBSON
 Phone: 843-729-3249



▲ = LEFT END OF TRUSS

REVISIONS:



Moncks Corner/Easley, SC (800) 475-3999
Sparta, NC (336) 372-2226

FOR PERMIT

Client: DRB GROUP-RALEIGH
Job: LOT 0.0032 HONEYCUTT HILL
Plan Information: STONEFIELD-1

FLOOR

NOT TO SCALE
Date: 07/23/24
Job #: 24-1099-F01
Sales Rep: KYLE GIBSON
Phone: 864-304-3282
Drawn By: CGT

WARNING! Long span trusses, 60' or greater in length, require extreme care and experience for proper and safe handling and installation. For general handling and installation guidance, see the "Guide to Good Practice for Handling, Installing, Restraining & Bracing of Metal Plate Connected Wood Trusses ("BCSI"), JOINTLY PRODUCED BY SBCA and TPI. For project specific guidance, consult with a registered design professional. ATLANTIC assumes no responsibility for the handling, installation or bracing of trusses.