

# Smithfield - LH

**NEW HOME INC.**

**Lot 134 - Duncan's Creek**

**121 Plainfield Lane  
Lillington, NC 27546**

**NEW HOME INC.**

## 'FRENCH COUNTRY' ARCHITECTURAL DRAWINGS

Sheet No.	Description
0.0	Cover Sheet
1.1	Foundation (Slab)
1.1.1	Foundation Options (Slab)
1.1.2	Foundation Options (Slab)
1.2	Foundation (Crawl)
1.2.1	Foundation Options (Crawl)
1.2.2	Foundation Options (Crawl)
1.3	Foundation (Stem Wall Slab)
1.3.1	Foundation Options (Stem Wall Slab)
1.3.2	Foundation Options (Stem Wall Slab)
2.1	First Floor Plan
2.1.1	First Floor Plan Options
2.2	Second Floor Plan
2.2.1	Second Floor Plan Options
2.3	Opt. Third Floor
2.4	Covered Patio Plans & Elevations (Slab)
2.4.1	Covered Deck Plans & Elevations (Crawl/ Stem Wall)
2.5	Extended Cafe Elevations & Roof Plan (Slab)
2.5.1	Extended Cafe Elevations & Roof Plan (Crawl/ Stem Wall)
2.6	Extended Cafe w/ Covered Patio Elevations & Roof Plan (Slab)
2.6.1	Extended Cafe w/ Cov. Deck Elev. & Roof Plan (Crawl/ Stem Wall)
2.7	2-Car Sideload Garage Plans
2.7.1	2-Car Sideload Garage Elevations
3.1	Front & Rear Elevations (Slab)
3.1.1	Front & Rear Elevations (Crawl/ Stem Wall)
3.1.2	Front & Rear Elevations (Slab) Attic Option
3.1.3	Front & Rear Elevations (Crawl/ Stem Wall) Attic Option
3.2	Side Elevations (Slab)
3.2.1	Side Elevations (Crawl/ Stem Wall)
3.2.2	Side Elevations (Slab) Attic Option
3.2.3	Side Elevations (Crawl/ Stem Wall) Attic Option
3.3	Roof Plan
5.1	First Floor Electrical
5.2	Second Floor Electrical
5.2.1	Second Floor Options Electrical
5.3	Opt. Third Floor Electrical

REVISION LOG	
REVISION:001	DATE: 6/20/2022
1. ADD SIDE LOAD GARAGE.	
REVISION:002	DATE: 7/05/2022
1. ADD OPT. EXTENDED CAFE W/ COVERED PATIO/DECK.	
REVISION:003	DATE: 7/22/2022
1. ADD STEM WALL SLAB FOUNDATION SHEETS. 2. ADD "STEM WALL" TO CRAWL ELEVATION TITLES AND ADD NOTE "SEE FOUNDATION PAGES FOR FOUNDATION TYPE". UPDATE SHEET TITLES	
REVISION:004	DATE: 11/2/2023
1. ADD SIDE LOAD GARAGE PLAN FOR EXTENDED CAFE W/ MESSY KITCHEN 2. ADD FOUNDATION FOR SIDE LOAD GARAGE FOR EXTENDED CAFE W/ MESSY KITCHEN 3. REMOVE END CABINET OF MESSY KITCHEN 4. ADDED THREE 2/0X2/0 WINDOW OPTION FOR THE EXTENDED CAFE 5. REMOVED PULL DOWN STAIRS FROM THE SECOND FLOOR STAIR TO THIRD FLOOR OPTIONS.	

Redlines completed 21-Aug-24 - DP



SQUARE FOOTAGE		
	FRENCH COUNTRY	
	UNHEATED	HEATED
FIRST FLOOR	0	846
SECOND FLOOR	0	1164
FRONT PORCH	56	0
2 CAR GARAGE	414	0
PATIO	144	0
SUBTOTALS	614	2010
TOTAL UNDER ROOF		2624
OPTIONS		
	UNHEATED S.F.	HEATED S.F.
UNFIN. THIRD FLOOR	+661	0
FINISHED THIRD FLOOR	0	+661
EXTENDED CAFE	-144	+120
PATIO W/ EXT CAFE	+150	0
EXTENDED FAMILY	0	+20
COVERED PATIO/DECK	144	0
EXT. FRONT PORCH	+69	0

**Total Heated: 2130  
Total Unheated: 689**

### DESIGN CRITERIA:

THIS PLAN IS TO BE BUILT IN CONFORMANCE WITH THE 2018 NORTH CAROLINA STATE BUILDING CODE: RESIDENTIAL CODE  
DIMENSIONS SHALL GOVERN OVER SCALE, AND CODE SHALL GOVERN OVER DIMENSIONS.

REV.#	DESCRIPTION	DATE
1		
2		
3		
4		
5		
6		
7		
8		

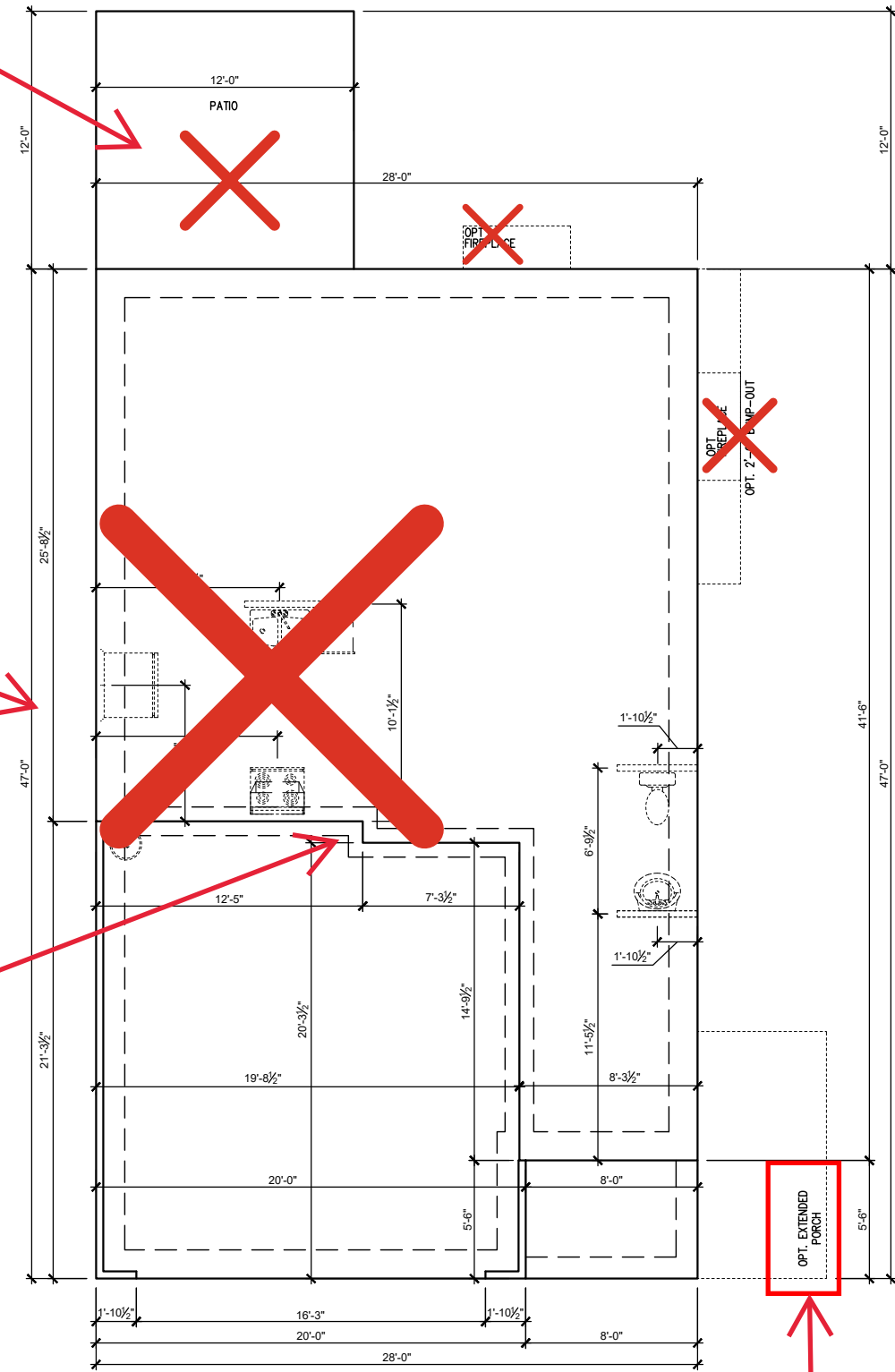
THE SMITHFIELD - LH  
Cover Sheet 'French Country'

DRAWN BY:  
South Designs/J. Jones  
ISSUE DATE:  
7/1/2021  
CURRENT REVISION DATE:  
03-01-23  
SCALE:  
1/8" = 1'-0"  
SHEET  
**0.0b**

Messy Kitchen and Power Pantry - 1.1.1b

Extended Cafe - 1.1.1b

Rear garage wall changes w/ Messy Kitchen Option.



SLAB FOUNDATION PLAN 'FRENCH COUNTRY'  
SCALE: 1/8"=1'-0" ON 11x17, 1/4"=1'-0" ON 22x34

Extended Front Porch - 1.1.1b

THE SMITHFIELD - LH

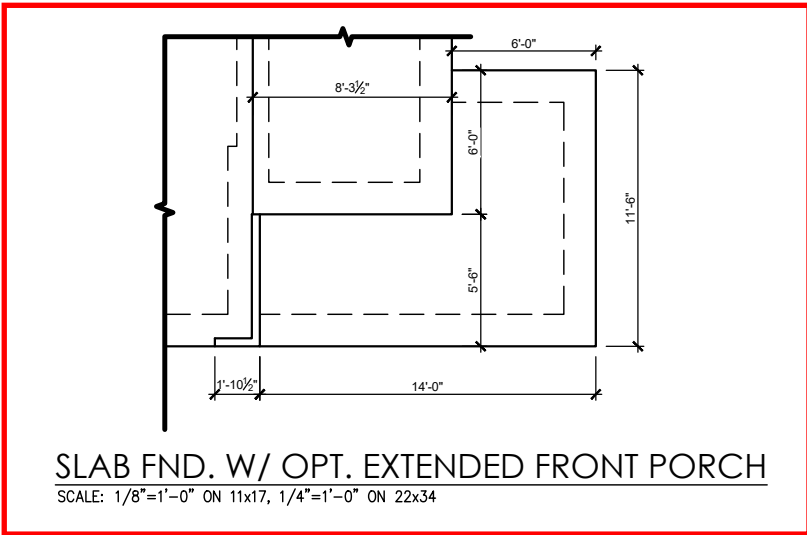
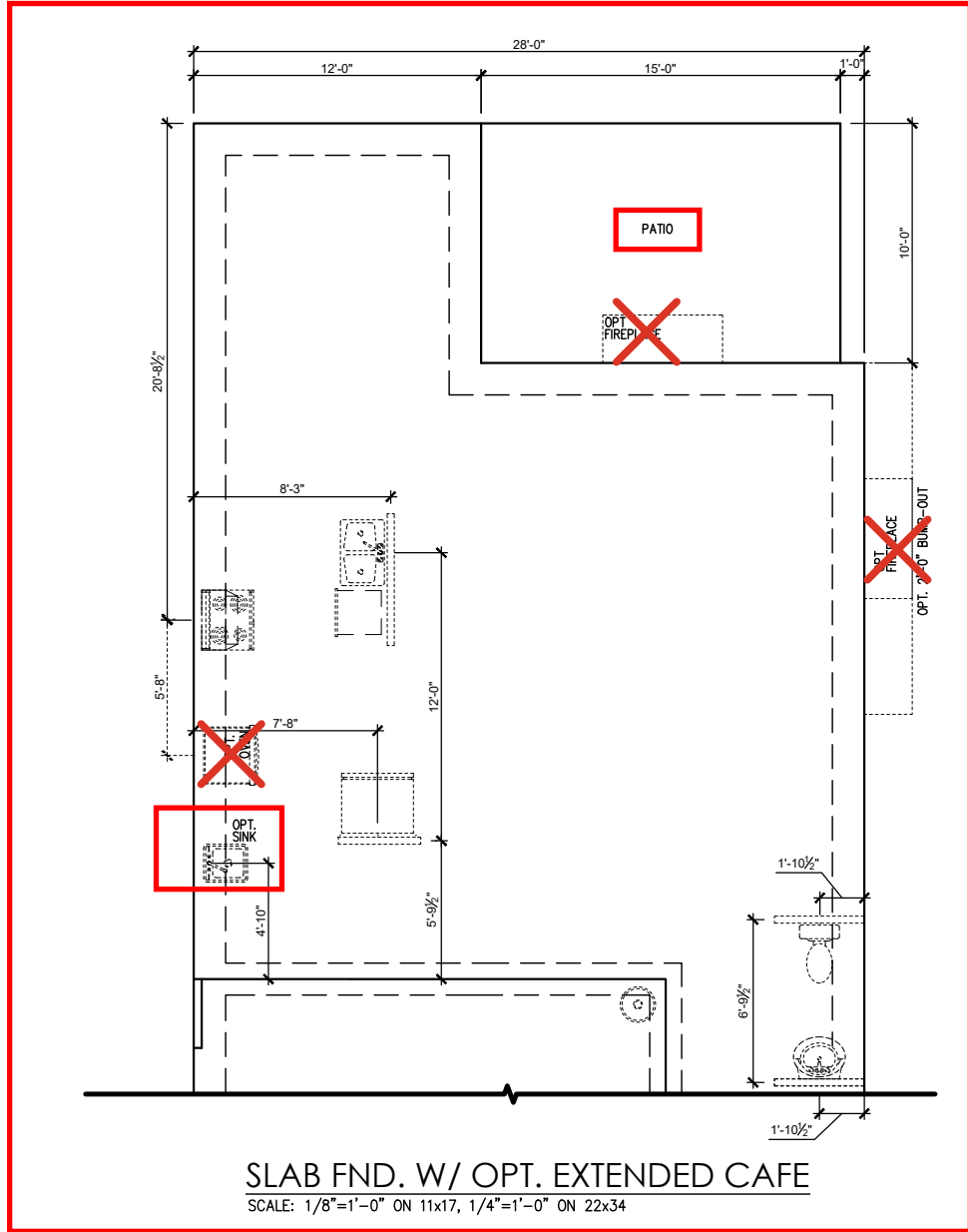
Slab Foundation 'French Country'

REV. #	DESCRIPTION	DATE
1		
2		
3		
4		
5		
6		
7		
8		

DRAWN BY:  
South Designs/J.Jones  
ISSUE DATE:  
7/1/2021  
CURRENT REVISION DATE:  
03-01-23

SCALE:  
1/8" = 1'-0"

SHEET  
**1.1b**



REV. #	DESCRIPTION	DATE
1	---	---
2	---	---
3	---	---
4	---	---
5	---	---
6	---	---
7	---	---
8	---	---

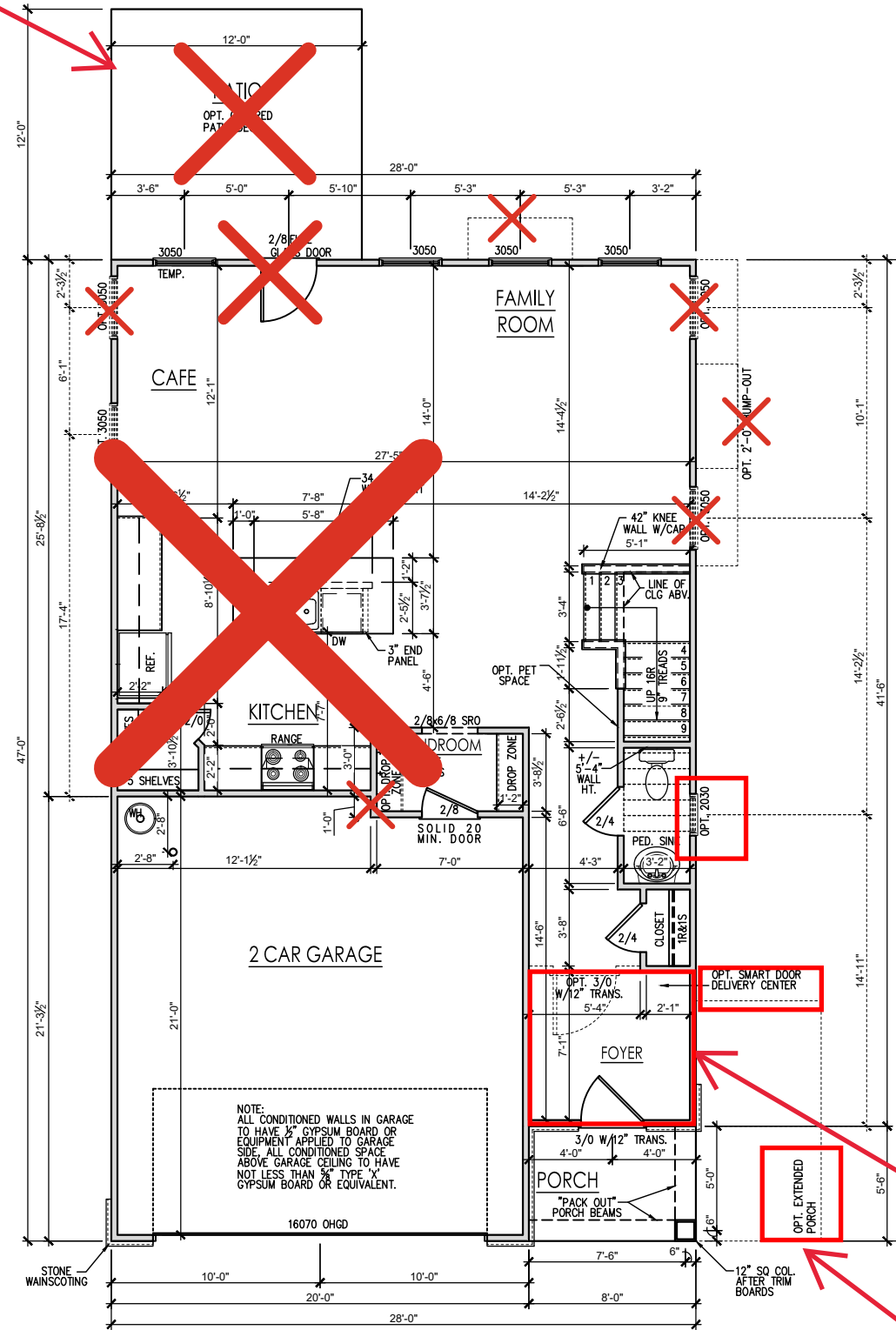
DRAWN BY:  
 South Designs/J. Jones  
 ISSUE DATE:  
 7/1/2021  
 CURRENT REVISION DATE:  
 03-01-23  
 SCALE:  
 1/8" = 1'-0"

**General Floor Plan Notes**

General Floor Plan Notes shall apply unless noted otherwise on plan.

1. Wall Heights: Typically 9'-1 1/2" at first floor, 8'-1 1/2" at second floor, and 8'-1 1/2" at attics U.N.O. All walls are constructed using a double top plate. Splices at Double Top Plate do not need to occur at Vertical Studs but must be at least 24" apart from Joint in other Top Plate layer. Special wall heights are noted on plans where they occur.
2. Wall Thickness is typically 3 1/2". 2x6 frame shall be used at walls that back up to plumbing fixtures. Walls greater than 10' high shall be framed with 2x6 framing or greater and will be noted as a special condition where it occurs on plan.
3. Typical header height shall be 6'-11" AFF at First Floor, and 6'-11" AFF at Second Floor U.N.O.
4. Jacks: Openings up to 3'-4" wide shall have (1) 2x4 Jack stud SPF on each side. Openings greater than 3'-4" wide shall have (2) 2x4 Jack studs SPF on each side.
5. Soffits, Coffered Ceilings, Tray Ceilings and other significant ceiling plan elements are shown on the floor plans and are denoted as single dashed lines. Unless specifically call out as included, Kitchens do not include soffits over wall cabinetry.
6. Door & Window Frames, where occurring near corners, shall be a minimum of 4 1/2" from corner. Except for walk-in closets with doors near a corner, doors at closets shall be centered on closet.
7. Windows: Shall have at least (1) window in each sleeping room, that meets egress. Shall be provided with tempered glass at hazardous glazing areas. False windows shall be installed with obscure glazing.
8. Closets for clothing or coat storage shall be equipped with 1 rod/shelf. Closets for linen shall have 4 open equal shelves. Closets for pantries shall have 4 equal wood shelves, painted.
9. Stair treads shall be a min of 9" deep, risers shall be a maximum of 8 1/4", unless noted otherwise, per the current North Carolina Residential Code
10. Handrails and Guards of stairs shall be 34" above the finished surface of the ramp surface of the stair. Handrails at landings and overlooks of multilevel spaces shall be 36" above finished floor. Guards (pickets or balusters) shall be spaced with no more than 4" between guards.
11. Attic Access shall be provided at all attic area with a height greater than 30". Minimum clear attic access shall be 20" x 30". Pull down stairs and access doors in knee walls meeting minimum criteria are also acceptable.
12. Garage Door to Living Space shall be 2'-8" x 6'-8" minimum size and shall be 20 minute fire rated and weather sealed.
13. Garage Walls, as a minimum, shall be separated from living space by installing 1/2" gypsum board on the garage side of the wall. With habitable space above, the inside of all garage walls require 1/2" GWB supporting 5/8" type X GWB on ceiling.

Extended Cafe - 2.1.1b



**FIRST FLOOR PLAN 'FRENCH COUNTRY'**  
SCALE: 1/8"=1'-0" ON 11x17, 1/4"=1'-0" ON 22x34

Smart Door Delivery

Wrap Porch - 2.1.1b

REV.#	DESCRIPTION	DATE
1		
2		
3		
4		
5		
6		
7		
8		

THE SMITHFIELD - LH  
First Floor Plan 'French Country'

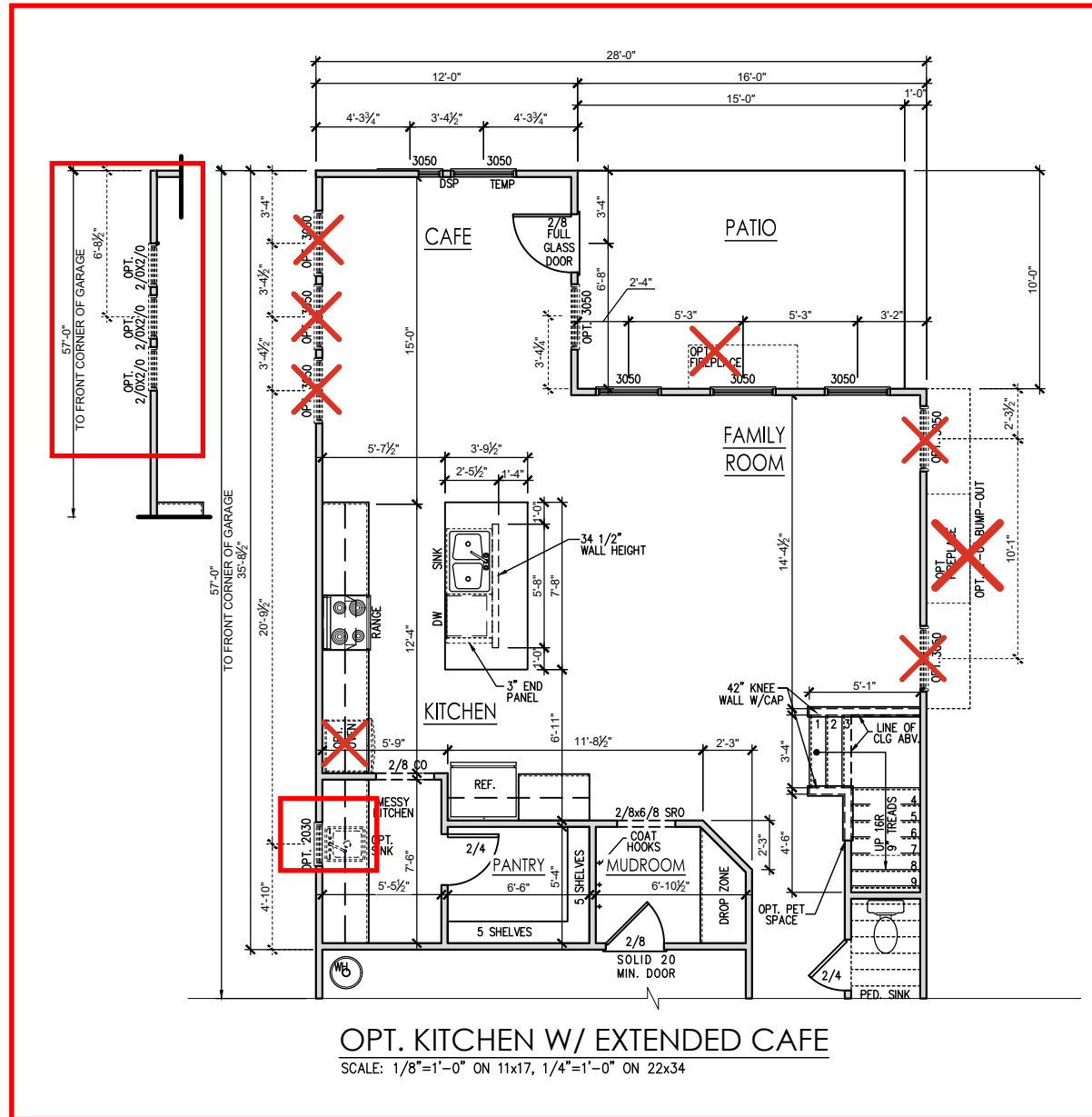
DRAWN BY:  
South Designs/J.Jones  
ISSUE DATE:  
7/1/2021  
CURRENT REVISION DATE:  
03-01-23  
SCALE:  
1/8" = 1'-0"

SHEET  
**2.1b**

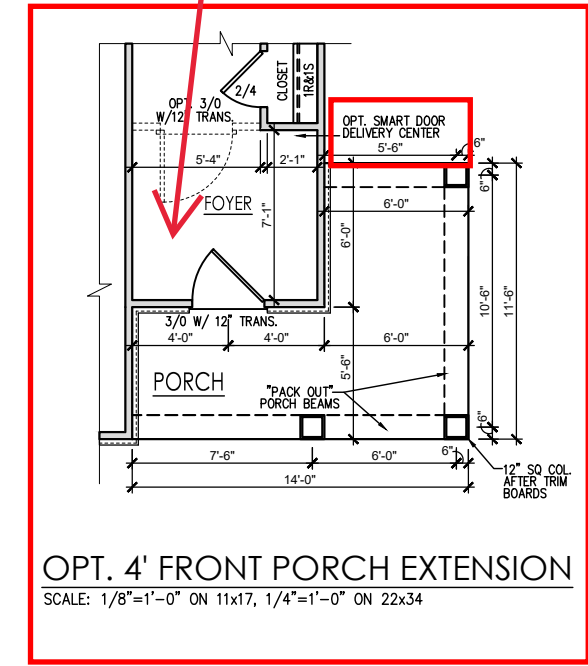
**General Floor Plan Notes**

General Floor Plan Notes shall apply unless noted otherwise on plan.

1. Wall Heights: Typically 9'-1 1/2" at first floor, 8'-1 1/2" at second floor, and 8'-1 1/2" at attics U.N.O. All walls are constructed using a double top plate. Splices at Double Top Plate do not need to occur at Vertical Studs but must be at least 24" apart from Joint in other Top Plate layer. Special wall heights are noted on plans where they occur.
2. Wall Thickness is typically 3 1/2". 2x6 frame shall be used at walls that back up to plumbing fixtures. Walls greater than 10' high shall be framed with 2x6 framing or greater and will be noted as a special condition where it occurs on plan.
3. Typical header height shall be 6'-11" AFF at First Floor, and 6'-11" AFF at Second Floor U.N.O.
4. Jacks: Openings up to 3'-4" wide shall have (1) 2x4 Jack stud SPF on each side. Openings greater than 3'-4" wide shall have (2) 2x4 Jack studs SPF on each side.
5. Soffits, Coffered Ceilings, Tray Ceilings and other significant ceiling plan elements are shown on the floor plans and are denoted as single dashed lines. Unless specifically call out as included, Kitchens do not include soffits over wall cabinetry.
6. Door & Window Frames, where occurring near corners, shall be a minimum of 4 1/2" from corner. Except for walk-in closets with doors near a corner, doors at closets shall be centered on closet.
7. Windows: Shall have at least (1) window in each sleeping room, that meets egress. Shall be provided with tempered glass at hazardous glazing areas. False windows shall be installed with obscure glazing.
8. Closets for clothing or coat storage shall be equipped with 1 rod/shelf. Closets for linen shall have 4 open equal shelves. Closets for pantries shall have 4 equal wood shelves, painted.
9. Stair treads shall be a min of 9" deep, risers shall be a maximum of 8 1/4", unless noted otherwise, per the current North Carolina Residential Code
10. Handrails and Guards of stairs shall be 34" above the finished surface of the ramp surface of the stair. Handrails at landings and overlooks of multilevel spaces shall be 36" above finished floor. Guards (pickets or balusters) shall be spaced with no more than 4" between guards.
11. Attic Access shall be provided at all attic area with a height greater than 30". Minimum clear attic access shall be 20" x 30". Pull down stairs and access doors in knee walls meeting minimum criteria are also acceptable.
12. Garage Door to Living Space shall be 2'-8" x 6'-8" minimum size and shall be 20 minute fire rated and weather sealed.
13. Garage Walls, as a minimum, shall be separated from living space by installing 1/2" gypsum board on the garage side of the wall. With habitable space above, the inside of all garage walls require 1/2" GWB supporting 5/8" type X GWB on ceiling.



Smart Door Delivery

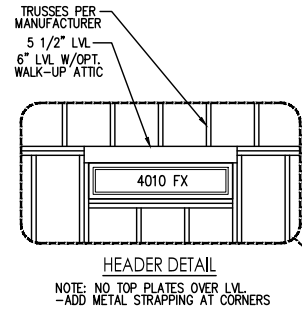


REV. #	DESCRIPTION	DATE
1		
2		
3		
4		
5		
6		
7		
8		

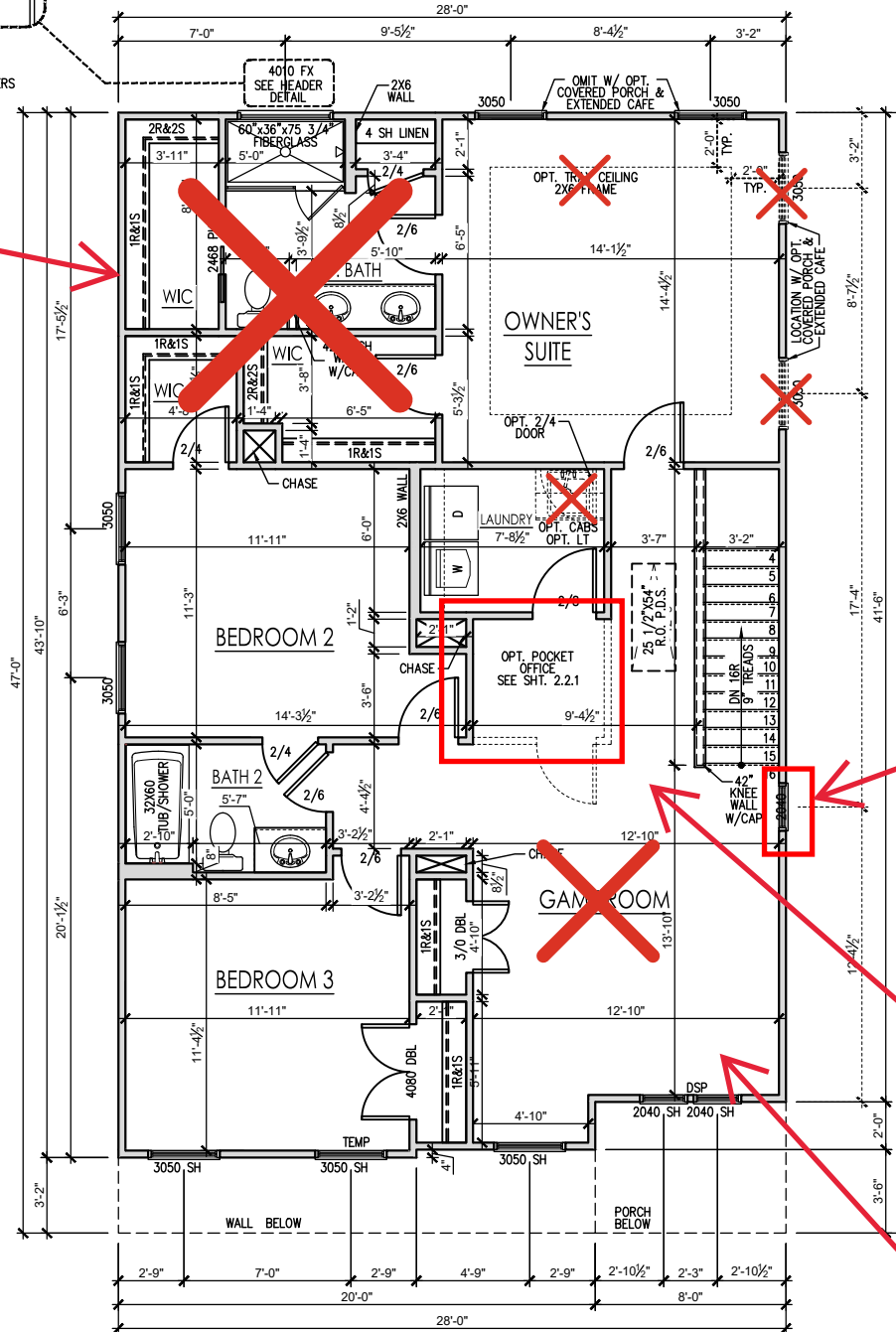
**General Floor Plan Notes**

General Floor Plan Notes shall apply unless noted otherwise on plan.

1. Wall Heights: Typically 9'-1 1/2" at first floor, 8'-1 1/2" at second floor, and 8'-1 1/2" at attics U.N.O. All walls are constructed using a double top plate. Splices at Double Top Plate do not need to occur at Vertical Studs but must be at least 24" apart from Joint in other Top Plate layer. Special wall heights are noted on plans where they occur.
2. Wall Thickness is typically 3 1/2". 2x6 frame shall be used at walls that back up to plumbing fixtures. Walls greater than 10' high shall be framed with 2x6 framing or greater and will be noted as a special condition where it occurs on plan.
3. Typical header height shall be 6'-11" AFF at First Floor, and 6'-11" AFF at Second Floor U.N.O.
4. Jacks: Openings up to 3'-4" wide shall have (1) 2x4 Jack stud SPF on each side. Openings greater than 3'-4" wide shall have (2) 2x4 Jack studs SPF on each side.
5. Soffits, Coffered Ceilings, Tray Ceilings and other significant ceiling plan elements are shown on the floor plans and are denoted as single dashed lines. Unless specifically call out as included, Kitchens do not include soffits over wall cabinetry.
6. Door & Window Frames, where occurring near corners, shall be a minimum of 4 1/2" from corner. Except for walk-in closets with doors near a corner, doors at closets shall be centered on closet.
7. Windows: Shall have at least (1) window in each sleeping room, that meets egress. Shall be provided with tempered glass at hazardous glazing areas. False windows shall be installed with obscure glazing.
8. Closets for clothing or coat storage shall be equipped with 1 rod/shelf. Closets for linen shall have 4 open equal shelves. Closets for pantries shall have 4 equal wood shelves, painted.
9. Stair treads shall be a min of 9" deep, risers shall be a maximum of 8 1/4", unless noted otherwise, per the current North Carolina Residential Code
10. Handrails and Guards of stairs shall be 34" above the finished surface of the ramp surface of the stair. Handrails at landings and overlooks of multilevel spaces shall be 36" above finished floor. Guards (pickets or balusters) shall be spaced with no more than 4" between guards.
11. Attic Access shall be provided at all attic area with a height greater than 30". Minimum clear attic access shall be 20" x 30". Pull down stairs and access doors in knee walls meeting minimum criteria are also acceptable.
12. Garage Door to Living Space shall be 2'-8" x 6'-8" minimum size and shall be 20 minute fire rated and weather sealed.
13. Garage Walls, as a minimum, shall be separated from living space by installing 1/2" gypsum board on the garage side of the wall. With habitable space above, the inside of all garage walls require 1/2" GWB supporting 5/8" type X GWB on ceiling.



Alternate Bath Layout - 2.2.1



Add 20x40 window at top of stairs.

Pocket Office

Bed 4 ILO Game Room - 2.2.1b

**SECOND FLOOR PLAN 'FRENCH COUNTRY'**  
SCALE: 1/8"=1'-0" ON 11x17, 1/4"=1'-0" ON 22x34

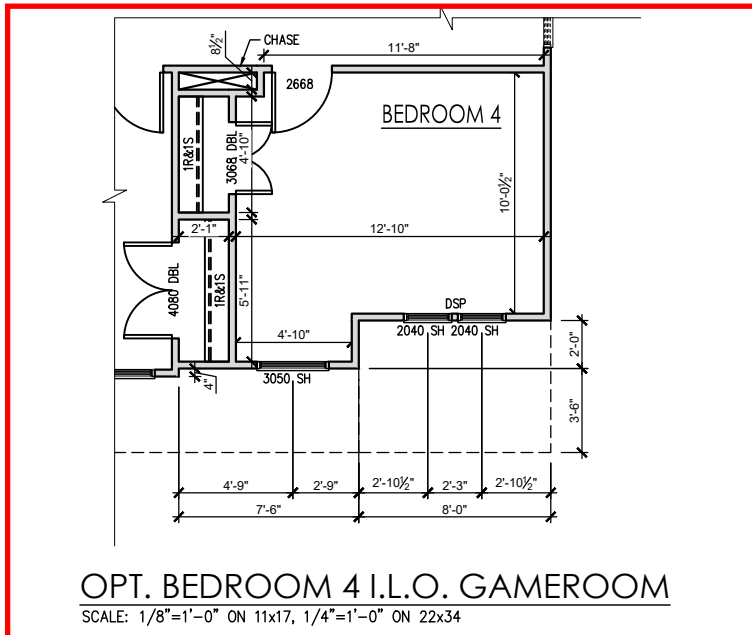
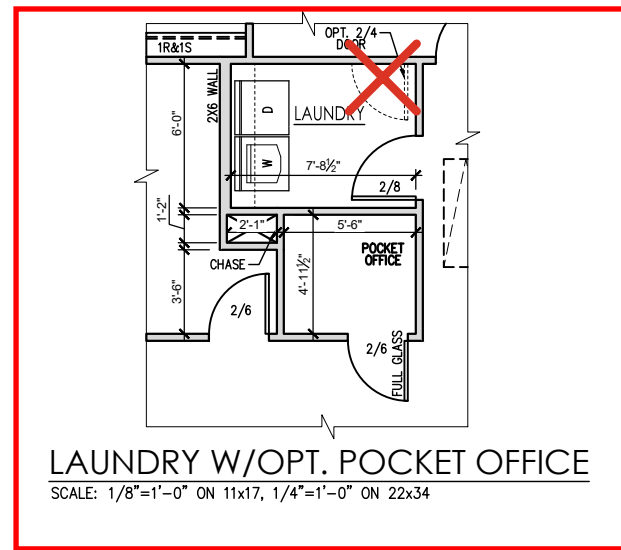
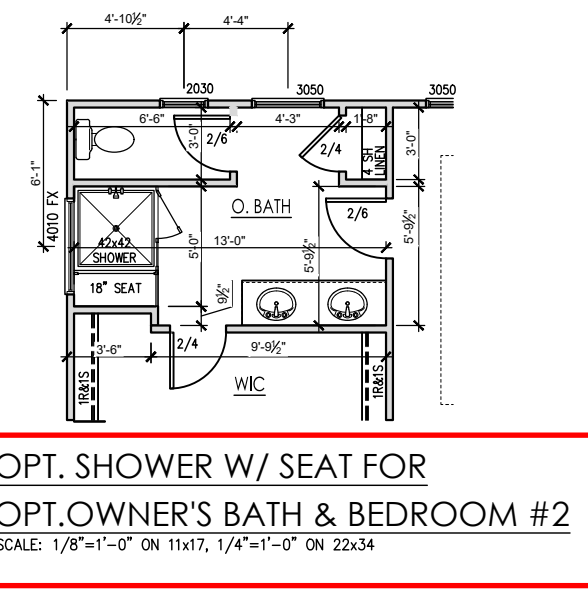
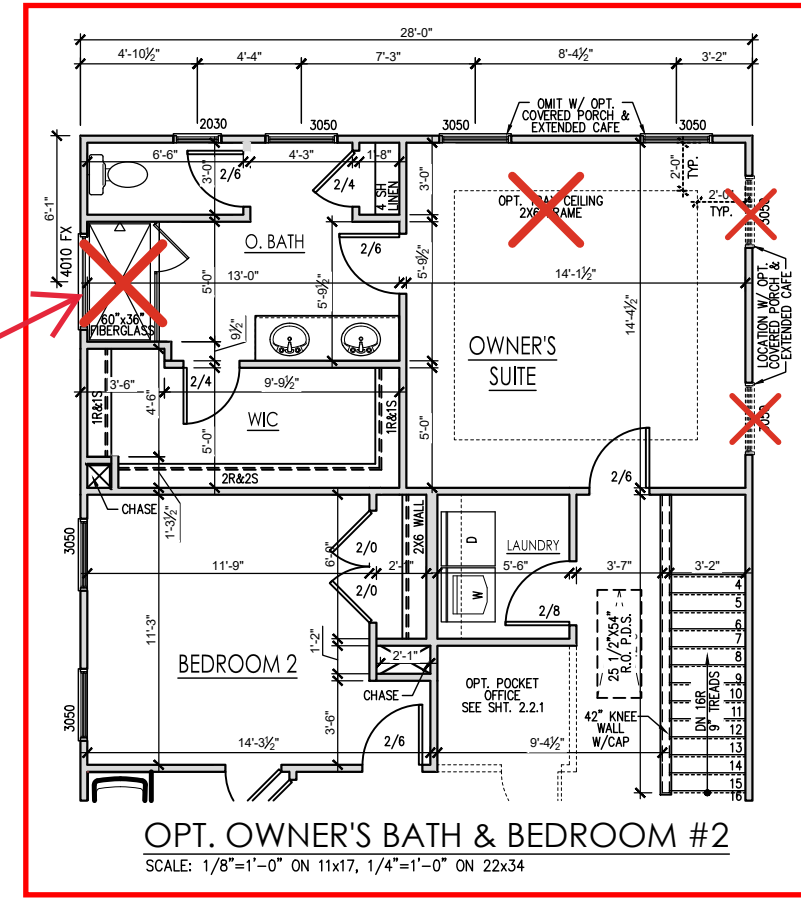
REV.#	DESCRIPTION	DATE
1		
2		
3		
4		
5		
6		
7		
8		

DRAWN BY: South Designs/J.Jones
ISSUE DATE: 7/1/2021
CURRENT REVISION DATE: 03-01-23
SCALE: 1/8" = 1'-0"

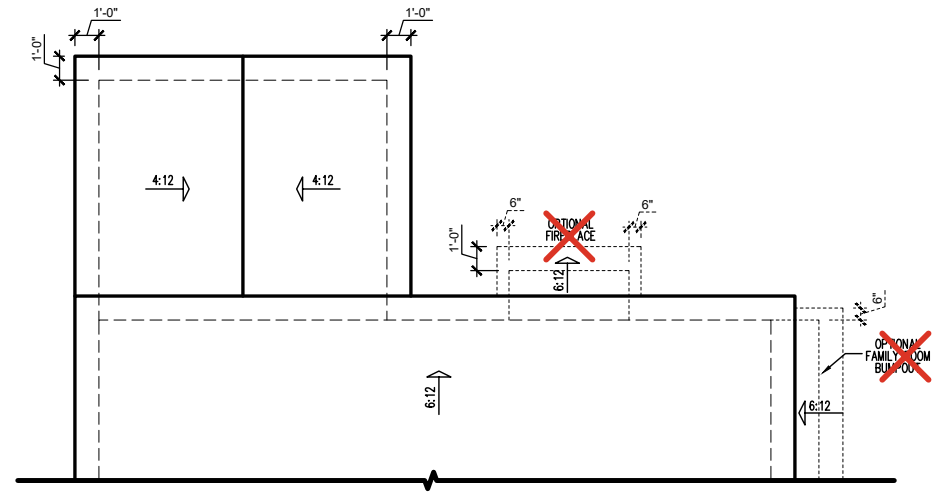
**General Floor Plan Notes**

General Floor Plan Notes shall apply unless noted otherwise on plan.

1. Wall Heights: Typically 9'-1 1/2" at first floor, 8'-1 1/2" at second floor, and 8'-1 1/2" at attics U.N.O. All walls are constructed using a double top plate. Splices at Double Top Plate do not need to occur at Vertical Studs but must be at least 24" apart from Joint in other Top Plate layer. Special wall heights are noted on plans where they occur.
2. Wall Thickness is typically 3 1/2". 2x6 frame shall be used at walls that back up to plumbing fixtures. Walls greater than 10' high shall be framed with 2x6 framing or greater and will be noted as a special condition where it occurs on plan.
3. Typical header height shall be 6'-11" AFF at First Floor, and 6'-11" AFF at Second Floor U.N.O.
4. Jacks: Openings up to 3'-4" wide shall have (1) 2x4 jack stud SPF on each side. Openings greater than 3'-4" wide shall have (2) 2x4 jack studs SPF on each side.
5. Soffits, Coffered Ceilings, Tray Ceilings and other significant ceiling plan elements are shown on the floor plans and are denoted as single dashed lines. Unless specifically call out as included, Kitchens do not include soffits over wall cabinetry.
6. Door & Window Frames, where occurring near corners, shall be a minimum of 4 1/2" from corner. Except for walk-in closets with doors near a corner, doors at closets shall be centered on closet.
7. Windows: Shall have at least (1) window in each sleeping room, that meets egress. Shall be provided with tempered glass at hazardous glazing areas. False windows shall be installed with obscure glazing.
8. Closets for clothing or coat storage shall be equipped with 1 rod/shelf. Closets for linen shall have 4 open equal shelves. Closets for pantries shall have 4 equal wood shelves, painted.
9. Stair treads shall be a min of 9" deep, risers shall be a maximum of 8 1/4", unless noted otherwise, per the current North Carolina Residential Code
10. Handrails and Guards at stairs shall be 34" above the finished surface of the ramp surface of the stair. Handrails at landings and overlooks of multilevel spaces shall be 36" above finished floor. Guards (pickets or balusters) shall be spaced with no more than 4" between guards.
11. Attic Access shall be provided at all attic area with a height greater than 30". Minimum clear attic access shall be 20" x 30". Pull down stairs and access doors in knee walls meeting minimum criteria are also acceptable.
12. Garage Door to Living Space shall be 2'-8" x 6'-8" minimum size and shall be 20 minute fire rated and weather sealed.
13. Garage Walls, as a minimum, shall be separated from living space by installing 1/2" gypsum board on the garage side of the wall. With habitable space above, the inside of all garage walls require 1/2" GWB supporting 5/8" type X GWB on ceiling.



REV.#	DESCRIPTION	DATE
1		
2		
3		
4		
5		
6		
7		
8		



**EXTENDED CAFE ROOF PLAN**  
SCALE: 1/8"=1'-0" ON 11x17, 1/4"=1'-0" ON 22x34



**EXTENDED CAFE PARTIAL RIGHT SIDE ELEVATION (SLAB)**

SCALE: 1/8"=1'-0" ON 11x17, 1/4"=1'-0" ON 22x34

**EXTENDED CAFE REAR ELEVATION (SLAB)**

SCALE: 1/8"=1'-0" ON 11x17, 1/4"=1'-0" ON 22x34

**EXTENDED CAFE PARTIAL LEFT SIDE ELEVATION (SLAB)**

SCALE: 1/8"=1'-0" ON 11x17, 1/4"=1'-0" ON 22x34

REV. #	DESCRIPTION	DATE
1		
2		
3		
4		
5		
6		
7		
8		

THE SMITHFIELD - LH

Ext. Cafe Elevations & Roof Plan (Slab) 'French Country'

DRAWN BY:  
South Designs/J.Jones  
ISSUE DATE:  
7/1/2021  
CURRENT REVISION DATE:  
03-01-23  
SCALE:  
1/8" = 1'-0"



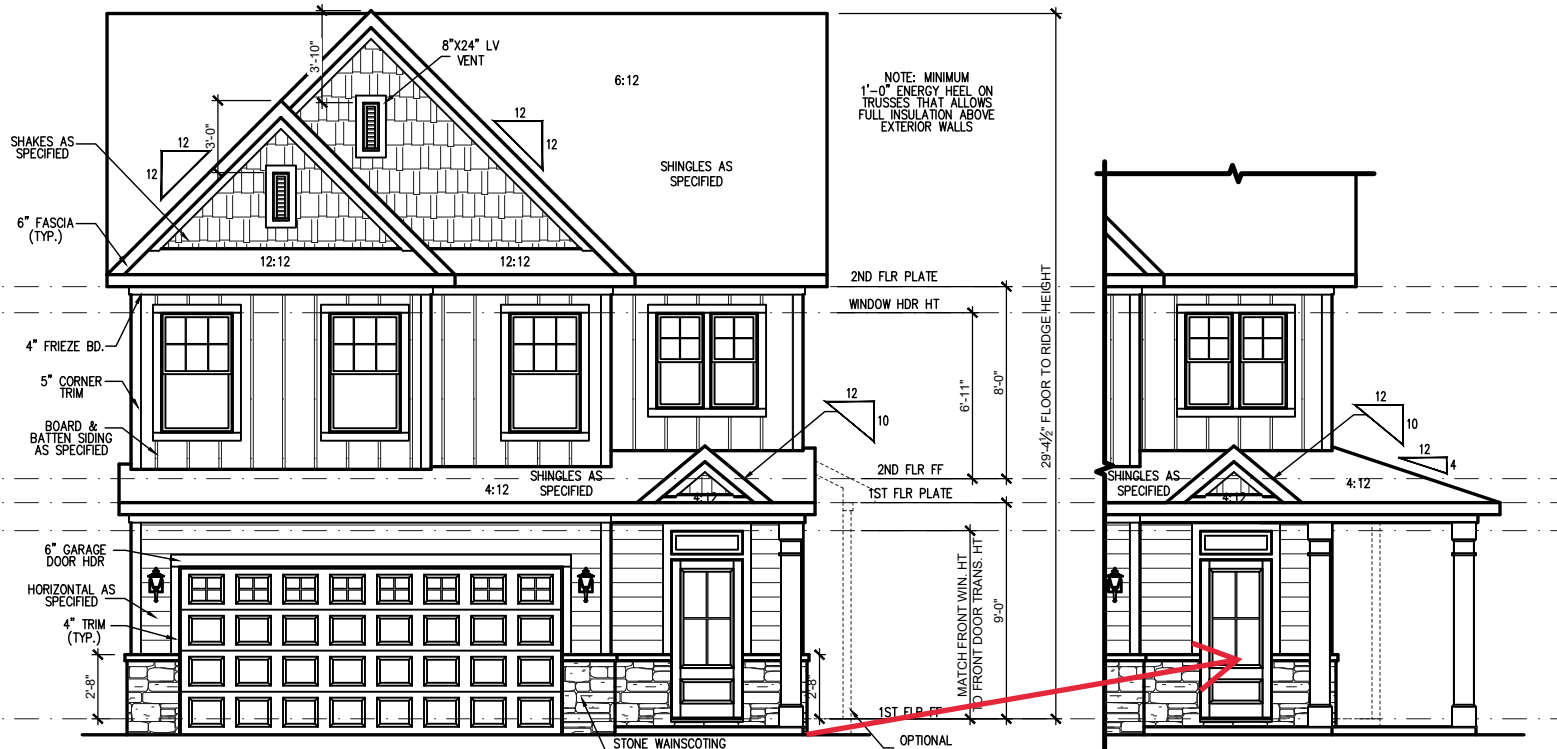
## General Elevation Notes

General Elevation Notes shall apply unless noted otherwise on plan.

- Roof shall be finished with architectural composition shingles with slopes as noted on plan.
- Ridge Vent shall be provided and installed on all ridges greater than 6' in length per manufacturer's specifications.
- Soffit Vent shall be continuous soffit vent
- House Wrap, "Tyvek" or approved equal shall be installed over entire exterior wall per manufacturer's specifications and recommendations.
- Flashing shall be provided above all door and window openings, above finish wall material changes and at wall surfaces where lower roof areas abut vertical wall surfaces.
- Porch Railings shall be provided at all porch walking surfaces greater than 30" above adjacent finished grade. It shall be 36" high with guards spaced no more than 4" apart. Consult community specifications for material.
- Finish Wall Material shall be as noted on elevation drawings.
- Brick Veneer, if included on elevation shall be tied to wall surface with galvanized corrugated metal ties at a rate of 24" oc horizontally and 16" oc vertically so that no more than 2.67sf of brick is supported by (1) tie. Space between face of wall and back face of brick shall be limited to a maximum of 1". Flashing shall be provided behind brick above all wall openings and at base of brick wall. Flashing shall be a minimum of 6-mil poly or other corrosion resistant material and shall be installed so that it laps under the house wrap material a minimum of 2". Weepholes shall be provided at a rate of 48" oc and shall not be less than 3/16" in diameter and shall be located immediately above flashing.
- Brick Veneer Support Lintels shall be provided if brick veneer is included on elevation. Lintels shall be provided as listed in the following schedule and shall have a minimum bearing length of 6". Masonry Lintels shall be provided so that deflection is limited to L/600.

### Masonry Opening Lintel Schedule

Opening Size	Angle
up to 4'-0"	3-1/2" x 3-1/2" x 5/16"
4'-1" to 5'-6"	4" x 3-1/2" x 5/16" LLV
5'-7" to 6'-6"	5" x 3-1/2" x 5/16" LLV
6'-7" to 8'-4"	6" x 3-1/2" x 5/16" LLV
8'-5" to 16'-4"	7" x 4" x 3/8" LLV

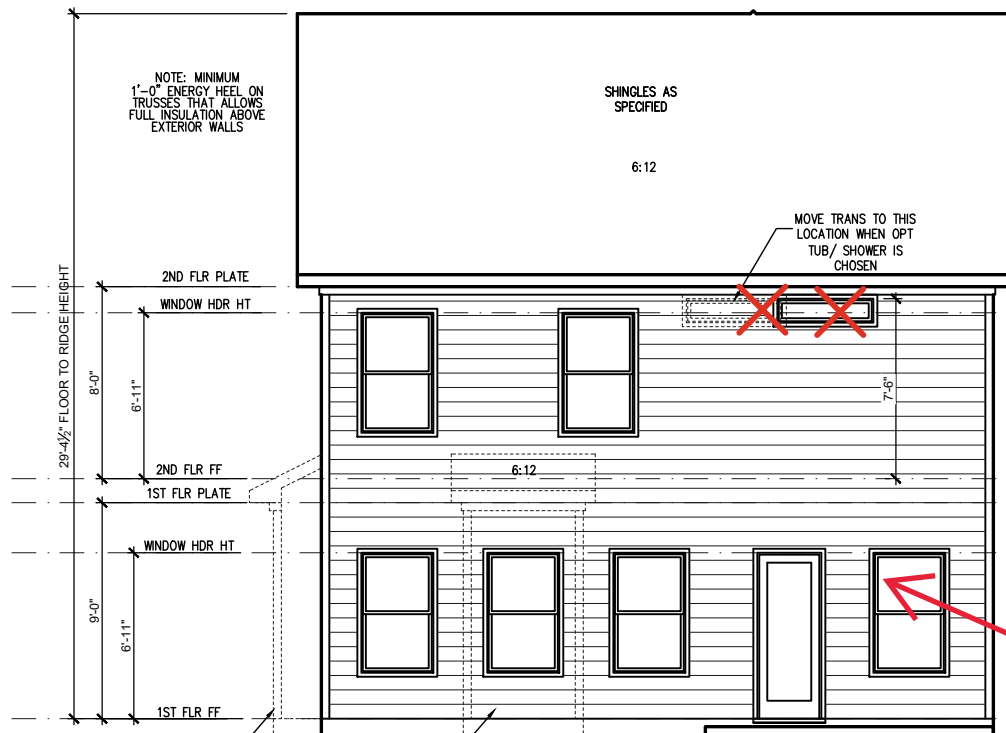


**FRONT ELEVATION "FRENCH COUNTRY" (SLAB)**

SCALE: 1/4" = 1'-0" ON 22x34, 1/8" = 1'-0" ON 11x17

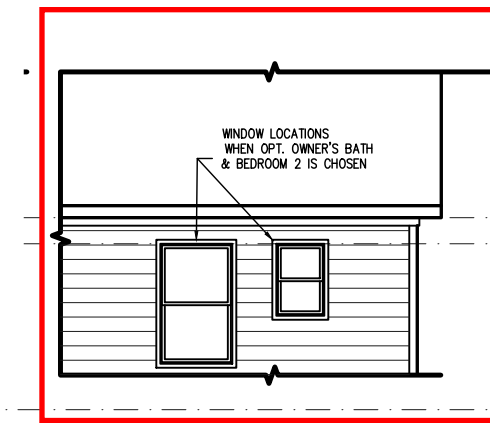
**OPT. EXTENDED PORCH**

SCALE: 1/4" = 1'-0" ON 22x34, 1/8" = 1'-0" ON 11x17



**REAR ELEVATION "FRENCH COUNTRY" (SLAB)**

SCALE: 1/4" = 1'-0" ON 22x34, 1/8" = 1'-0" ON 11x17



**Extended Cafe**

REV. #	DESCRIPTION	DATE
1		
2		
3		
4		
5		
6		
7		
8		

THE SMITHFIELD - LH  
Front & Rear Elevations (Slab) French Country

DRAWN BY:  
South Designs/J.Jones  
ISSUE DATE:  
7/1/2021  
CURRENT REVISION DATE:  
03-01-23

SCALE:  
1/8" = 1'-0"  
SHEET  
**3.1b**

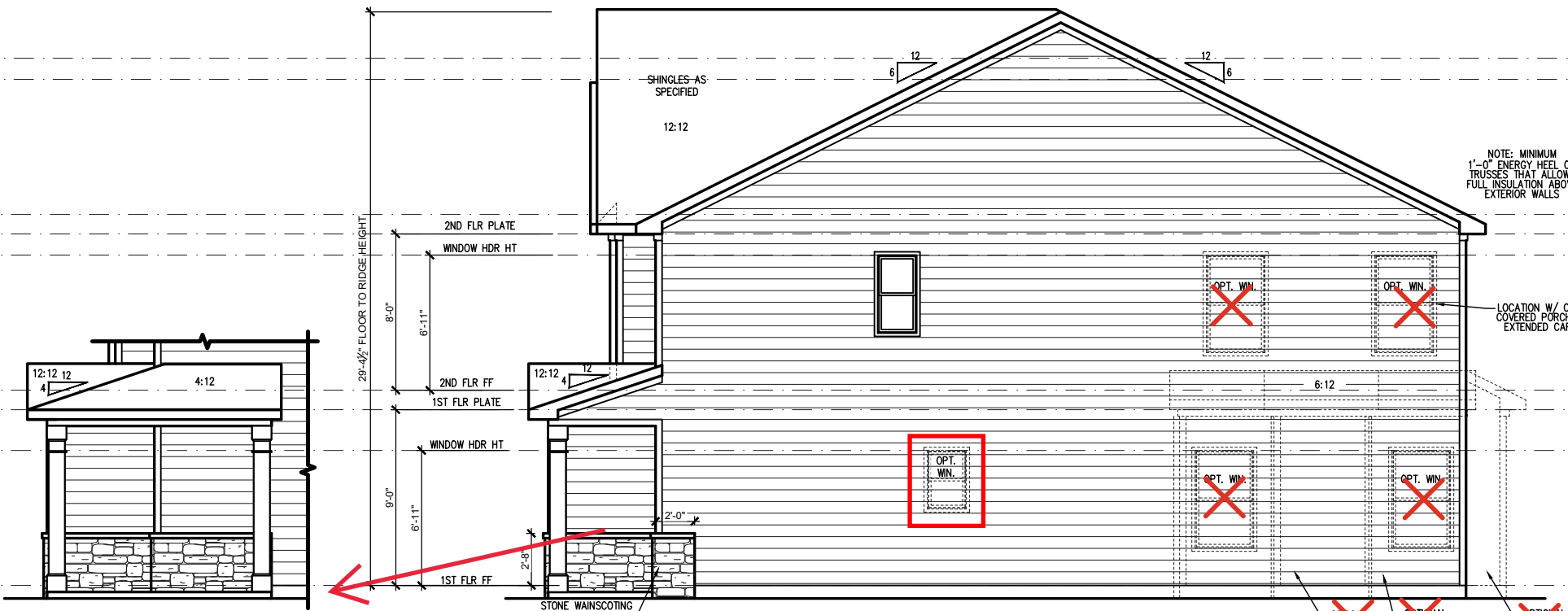
**General Elevation Notes**

General Elevation Notes shall apply unless noted otherwise on plan.

1. Roof shall be finished with architectural composition shingles with slopes as noted on plan.
2. Ridge Vent shall be provided and installed on all ridges greater than 6' in length per manufacturer's specifications.
3. Soffit Vent shall be continuous soffit vent
4. House Wrap, "Tyvek" or approved equal shall be installed over entire exterior wall per manufacturer's specifications and recommendations.
5. Flashing shall be provided above all door and window openings, above finish wall material changes and at wall surfaces where lower roof areas abut vertical wall surfaces.
6. Porch Railings shall be provided at all porch walking surfaces greater than 30" above adjacent finished grade. It shall be 36" high with guards spaced no more than 4" apart. Consult community specifications for material.
7. Finish Wall Material shall be as noted on elevation drawings.
8. Brick Veneer, if included on elevation shall be tied to wall surface with galvanized corrugated metal ties at a rate of 24" oc horizontally and 16" oc vertically so that no more than 2.67sf of brick is supported by (1) tie. Space between face of wall and back face of brick shall be limited to a maximum of 1". Flashing shall be provided behind brick above all wall openings and at base of brick wall. Flashing shall be a minimum of 6-mil poly or other corrosion resistant material and shall be installed so that it laps under the house wrap material a minimum of 2". Weepholes shall be provided at a rate of 48" oc and shall not be less than 3/16" in diameter and shall be located immediately above flashing.
9. Brick Veneer Support Lintels shall be provided if brick veneer is included on elevation. Lintels shall be provided as listed in the following schedule and shall have a minimum bearing length of 6". Masonry Lintels shall be provided so that deflection is limited to 1/600.

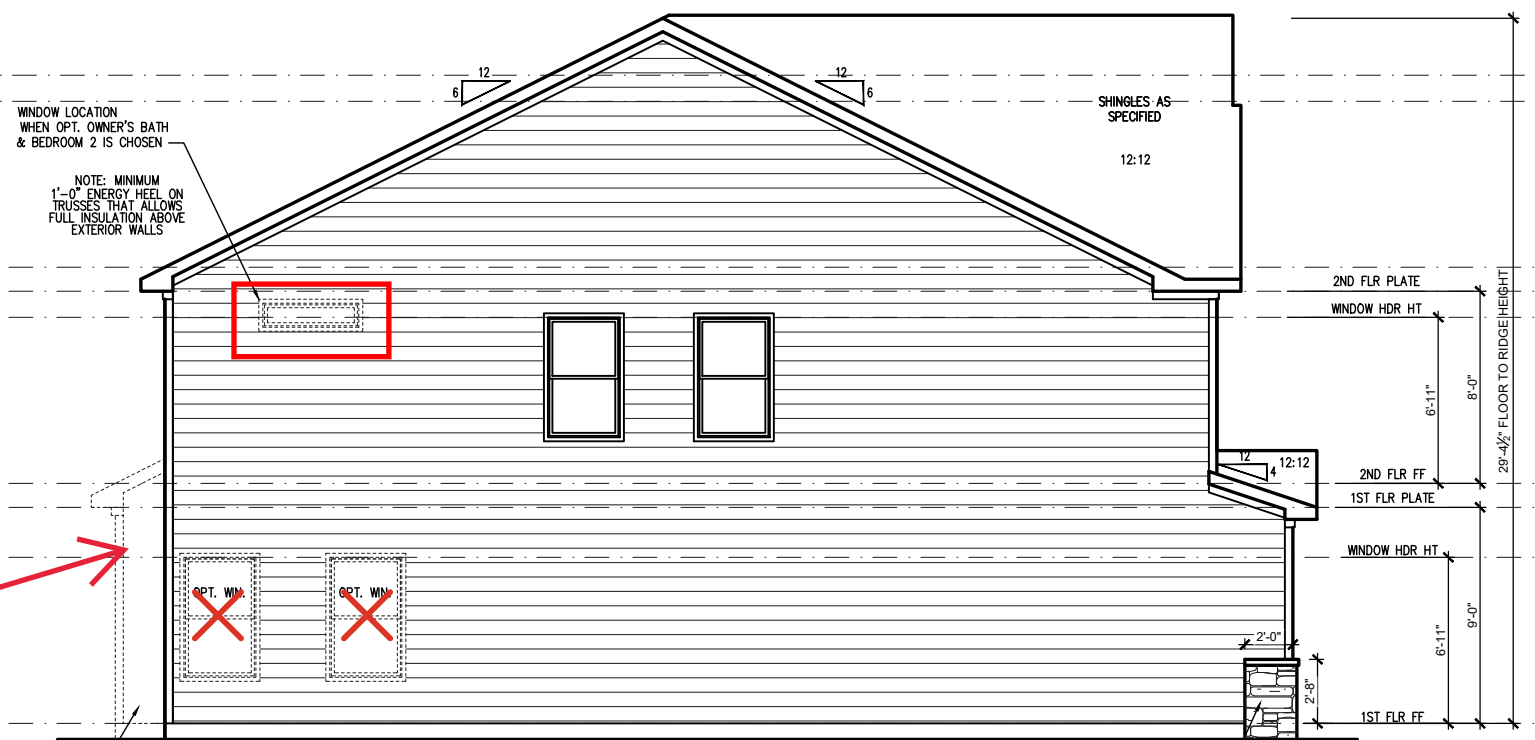
**Masonry Opening Lintel Schedule**

Opening Size	Angle
up to 4'-0"	3-1/2" x 3-1/2" x 5/16"
4'-1" to 5'-6"	4" x 3-1/2" x 5/16" LLV
5'-7" to 6'-6"	5" x 3-1/2" x 5/16" LLV
6'-7" to 8'-4"	6" x 3-1/2" x 5/16" LLV
8'-5" to 16'-4"	7" x 4" x 3/8" LLV



**OPT. EXTENDED PORCH**  
SCALE: 1/4" = 1'-0" ON 22x34, 1/8" = 1'-0" ON 11x17

**RIGHT SIDE ELEVATION "FRENCH COUNTRY" (SLAB)**  
SCALE: 1/4" = 1'-0" ON 22x34, 1/8" = 1'-0" ON 11x17



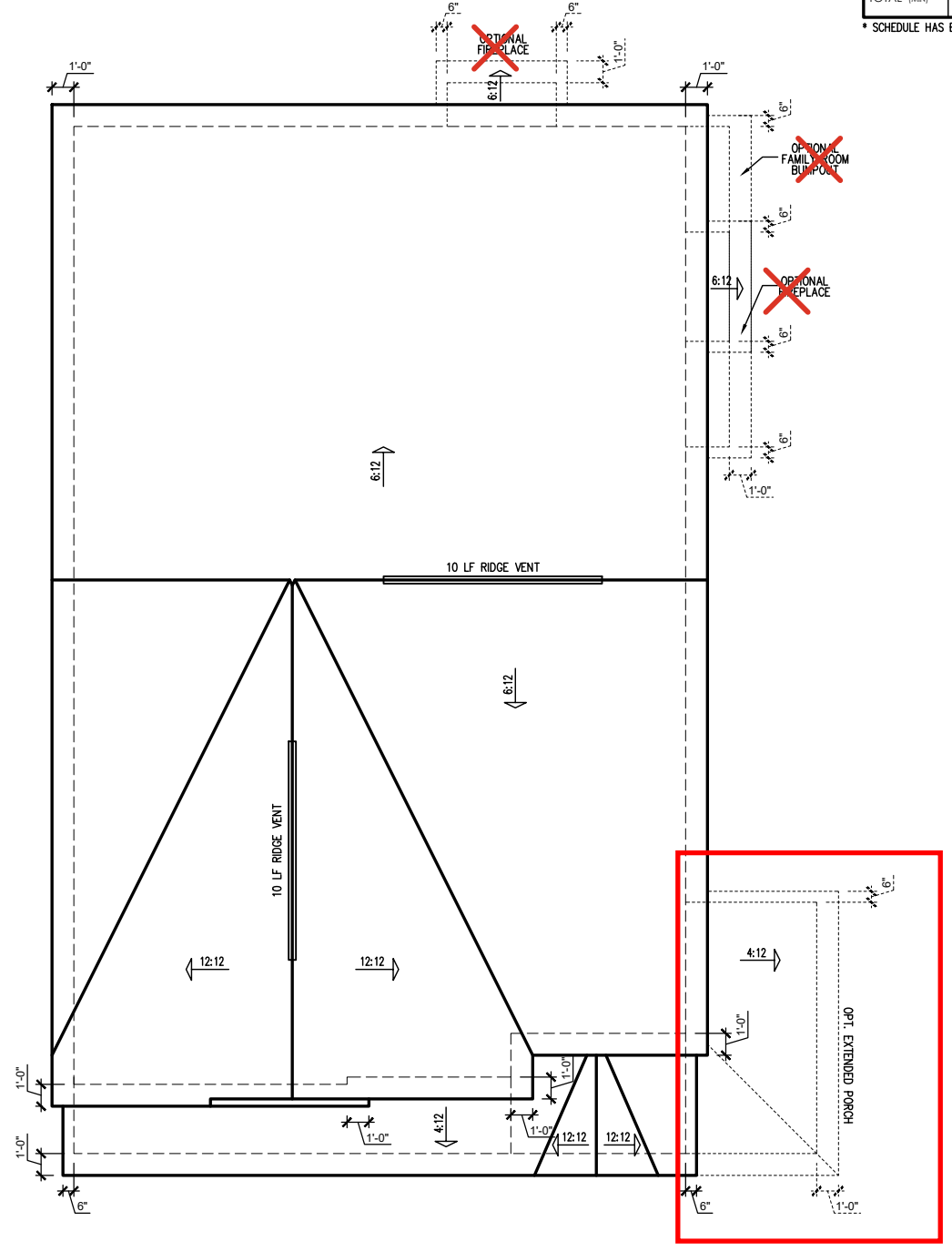
**Extended Cafe**

**LEFT SIDE ELEVATION 'FRENCH COUNTRY' (SLAB)**  
SCALE: 1/4" = 1'-0" ON 22x34, 1/8" = 1'-0" ON 11x17

REV. #	DATE	DESCRIPTION
1		
2		
3		
4		
5		
6		
7		
8		

ATTIC VENT SCHEDULE								
"FRENCH COUNTRY" ELEVATION								
MAIN HOUSE		SQ FTG	1206	AT / NEAR RIDGE			AT / NEAR EAVE	
VENT TYPE	SQ. FT. REQUIRED RANGE	SQ. FT. SUPPLIED	PERCENT OF TOTAL SUPPLIED	POT. LARGE (SQ. FT. EACH)	POT. SMALL (SQ. FT. EACH)	RIDGE VENT (SQ. FT. PER LF)	EAVE VENT (SQ. IN. EACH)	CONT. VENT (SQ. IN. PER LF)
				0.4236	0.2778	0.125	0.1944	0.0625
RIDGE VENT	1.61	2.01	2.50	52.63	0	0	20.00	
SOFFIT VENTS	2.41	2.01	2.25	47.37			0	36.00
TOTAL (MIN)	4.02	4.02	4.75	100.00	POT VENTS MAY BE REQUIRED IF THERE IS INSUFFICIENT RIDGE AVAILABLE			

\* SCHEDULE HAS BEEN CALCULATED ASSUMING EAVE VENTILATION AT 50-60% OF TOTAL AND RIDGE AT 40-50% OF TOTAL REQUIRED VENTILATION



"FRENCH COUNTRY" ROOF PLAN  
SCALE: 1/4" = 1'-0" ON 22x34, 1/8" = 1'-0" ON 11x17

REV. #	DESCRIPTION	DATE
1		
2		
3		
4		
5		
6		
7		
8		

THE SMITHFIELD - LH  
-----  
Roof Plan 'French Country'

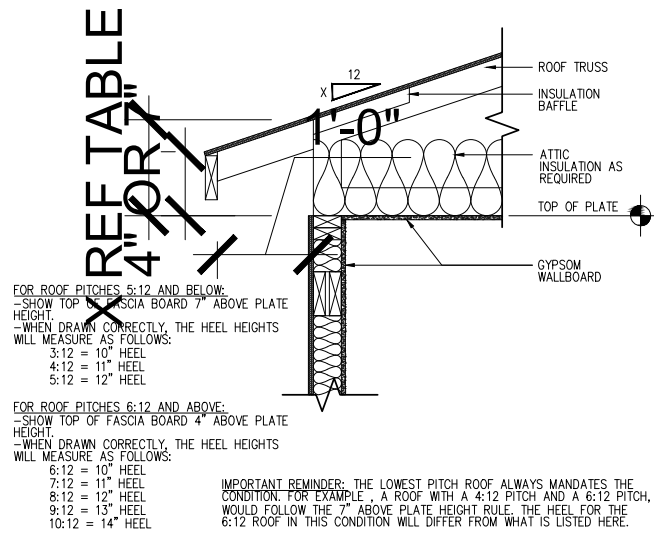
DRAWN BY:  
South Designs/J. Jones  
ISSUE DATE:  
7/1/2021  
CURRENT REVISION DATE:  
03-01-23  
SCALE:  
1/8" = 1'-0"

SHEET  
**3.3b**

RISER HEIGHTS PER STAIR CONFIGURATION			
PLATE HEIGHT	10" FLOOR SYSTEM	14" FLOOR SYSTEM	16" FLOOR SYSTEM
8'-1 1/2"	14 RISERS @ 7 11/16"	15 RISERS @ 7 1/2"	15 RISERS @ 7 5/8"
9'-1 1/2"	16 RISERS @ 7 1/2"	16 RISERS @ 7 3/4"	17 RISERS @ 7 7/16"
10'-1 1/2"	17 RISERS @ 7 3/4"	18 RISERS @ 7 9/16"	18 RISERS @ 7 11/16"

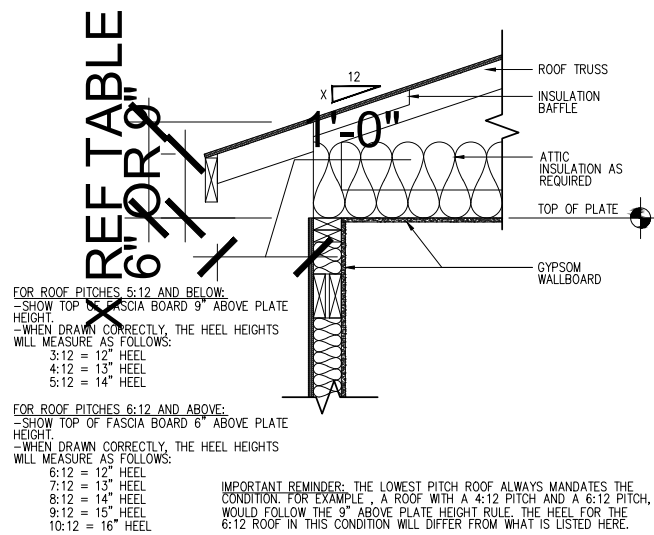
### TYPICAL STAIR DETAIL

SCALE: 1" = 1'-0" ON 22x34, 1/2" = 1'-0" ON 11x17



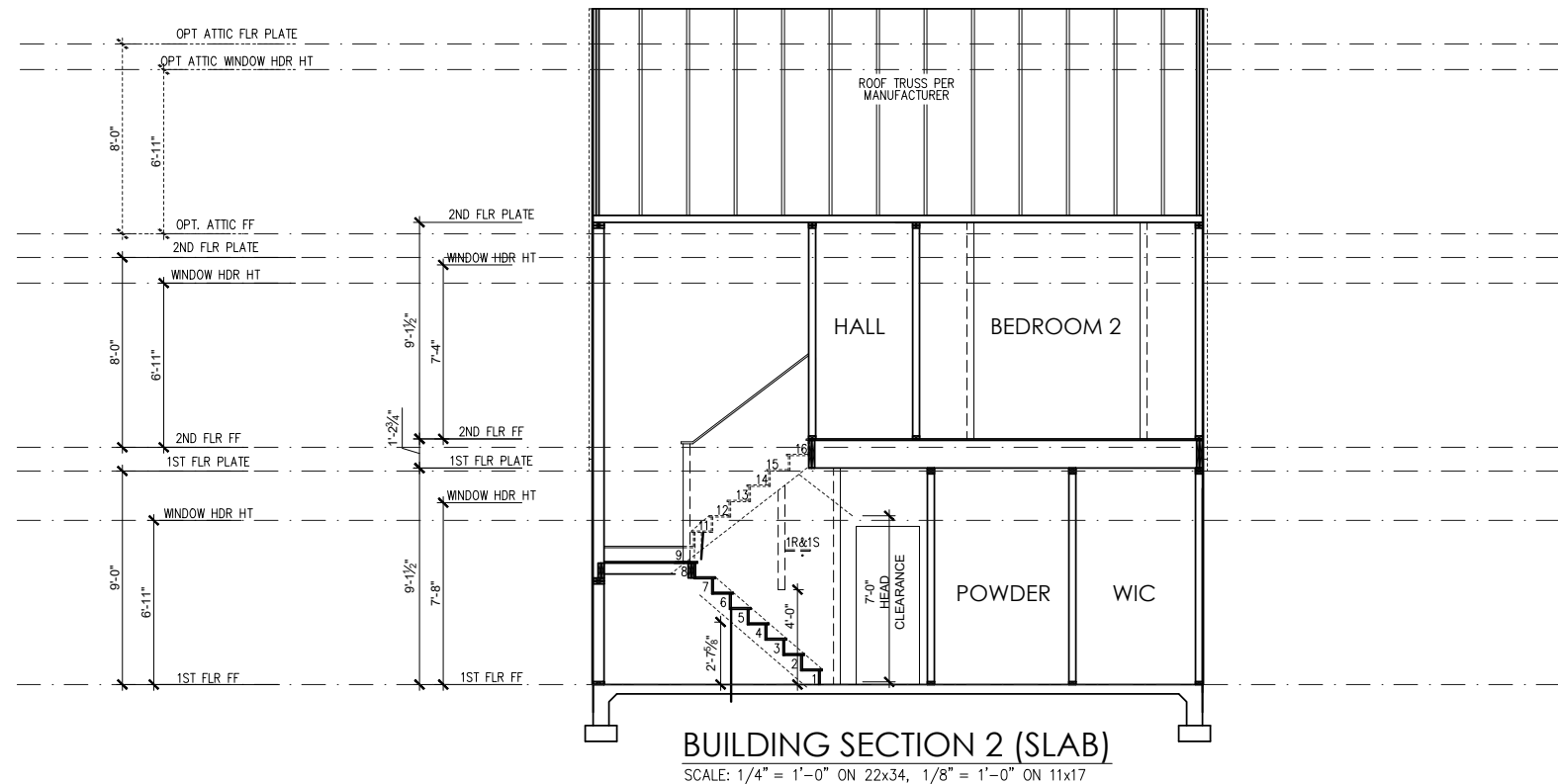
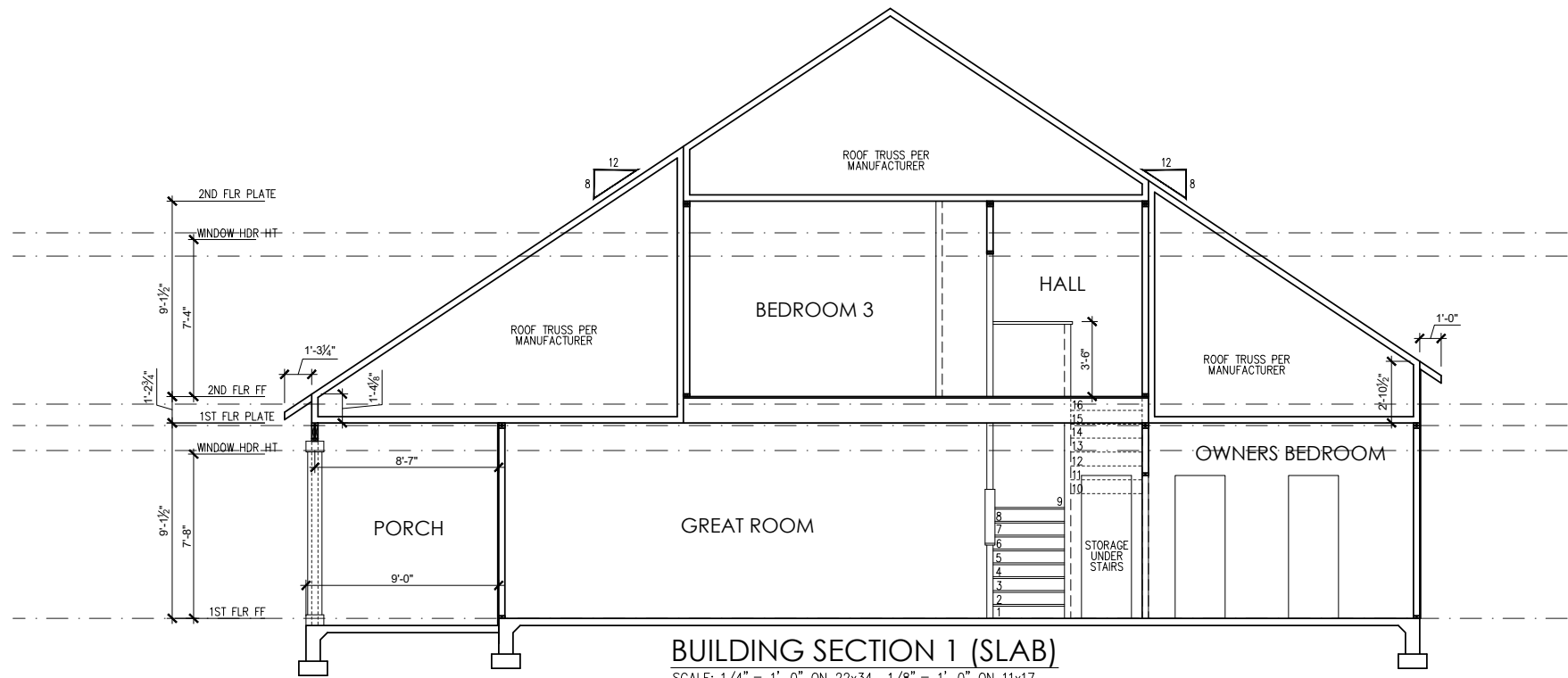
### ENERGY HEEL DETAIL: CZ 2 & 3

SCALE: 1" = 1'-0" ON 22x34, 1/2" = 1'-0" ON 11x17



### ENERGY HEEL DETAIL: CZ 4 & 5

SCALE: 1" = 1'-0" ON 22x34, 1/2" = 1'-0" ON 11x17



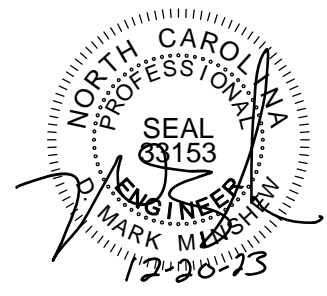
REV.#	DESCRIPTION	DATE
1		
2		
3		
4		
5		
6		
7		
8		

Engineers seal applies only to structural components on this document.  
Seal does not include construction means, methods, techniques, sequences, procedures or safety precautions.  
Any deviations or discrepancies on plans are to be brought to the immediate attention of Southern Engineers. Failure to do so will void Southern Engineer's liability.  
Use of these plans constitutes approval of terms & conditions as defined in the customer agreement.

**Southern Engineers, P.A.**  
3716 Benson Drive, Raleigh, NC 27609  
Phone: (919) 878-1617  
License: C-4772  
www.southernengineers.com

**NEW HOME, INC.**

**SMITHFIELD**  
Garage Left



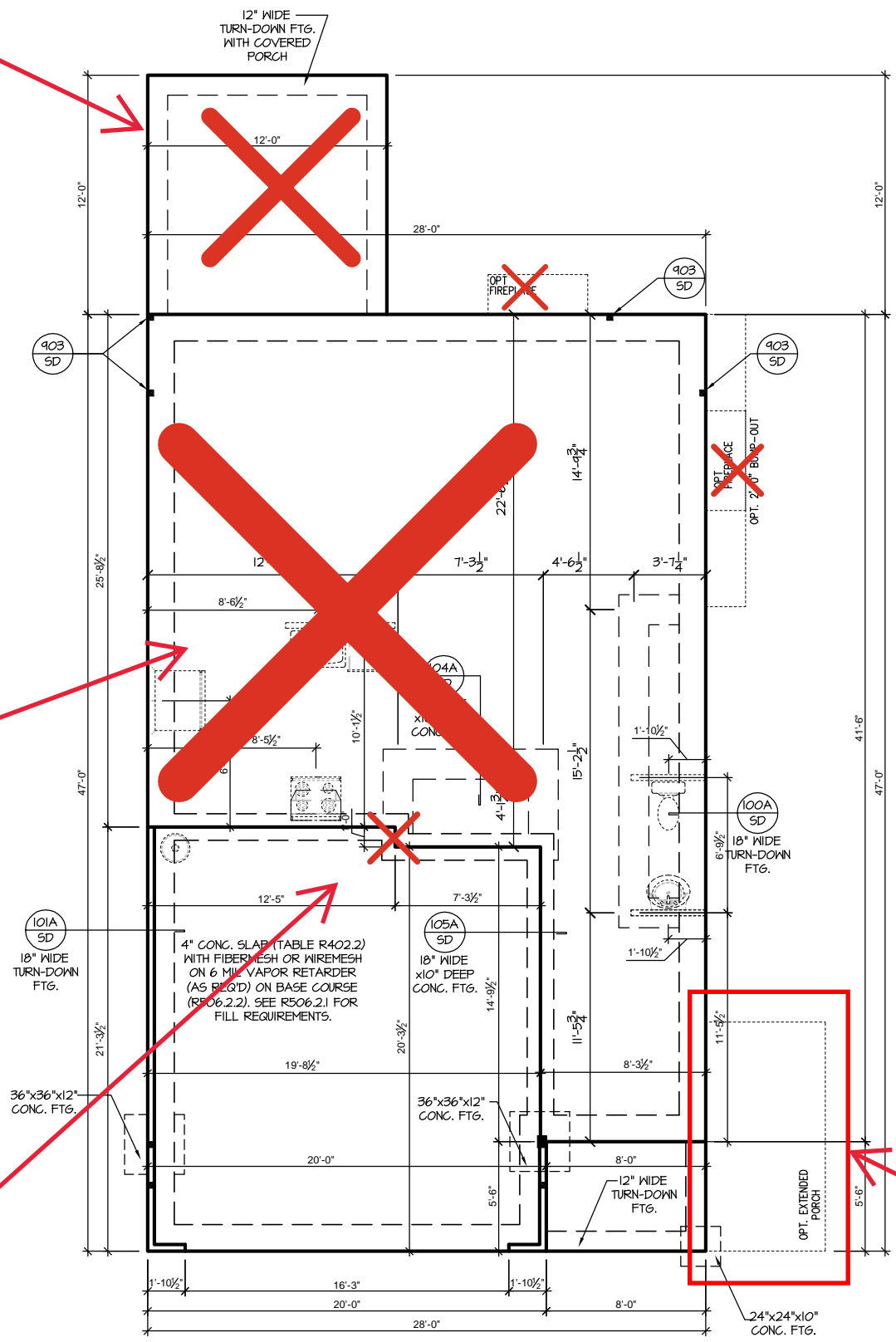
Extended Cafe - S-1.1.1

Messy Kitchen and Power Pantry - S-1.1.1

Rear garage wall changes with option - See S-1.1.1

Extended Front Porch

Roof Truss Version



SLAB FOUNDATION PLAN 'FRENCH COUNTRY'  
SCALE: 1/8"=1'-0" ON 11x17, 1/4"=1'-0" ON 22x34



PROJECT #  
21-3366.1-LH

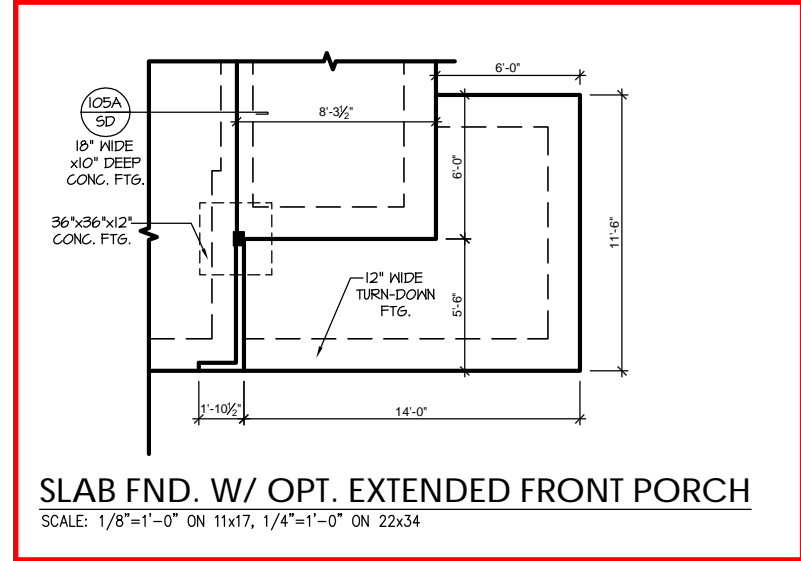
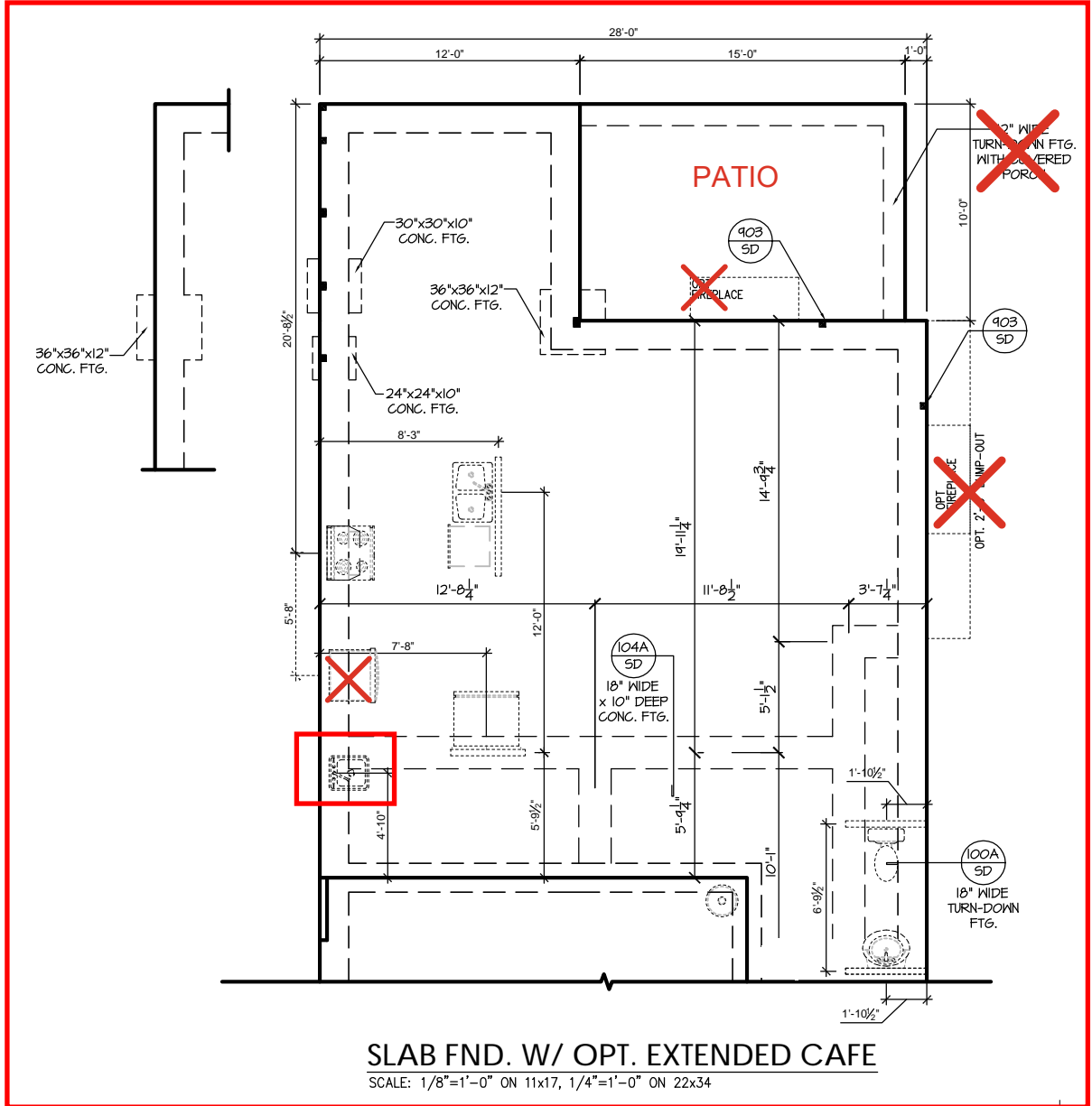
Engineers seal applies only to structural components on this document.  
Seal does not include construction means, methods, techniques, sequences, procedures or safety precautions.  
Any deviations or discrepancies on plans are to be brought to the immediate attention of Southern Engineers. Failure to do so will void Southern Engineer's liability.  
Use of these plans constitutes approval of terms & conditions as defined in the customer agreement.

**Southern Engineers, P.A.**  
3716 Benson Drive, Raleigh, NC 27609  
Phone: (919) 878-1617  
License: C-4772  
www.southernengineers.com

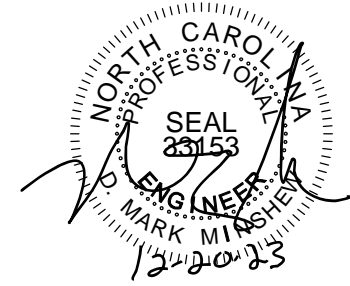
**NEW HOME, INC.**

**SMITHFIELD**  
Garage Left

S-1.1.1



Roof Truss Version



Engineers seal applies only to structural components on this document.  
Seal does not include construction means, methods, techniques, sequences, procedures or safety precautions.  
Any deviations or discrepancies on plans are to be brought to the immediate attention of Southern Engineers. Failure to do so will void Southern Engineer's liability.  
Use of these plans constitutes approval of terms & conditions as defined in the customer agreement.

**Southern Engineers, P.A.**  
3716 Benson Drive, Raleigh, NC 27609  
Phone: (919) 878-1617  
License: C-4772  
www.southernengineers.com

NEW HOME, INC.

SMITHFIELD  
Garage Left

S-2.1

**TRUSS SYSTEM REQUIREMENTS**

NC (2018 NRC): Wind: 115-120 mph

- TRUSS SYSTEM LAYOUTS (PLACEMENT PLANS) SHALL BE DESIGNED IN ACCORDANCE WITH SEALED STRUCTURAL PLANS. ANY NEED TO CHANGE TRUSSES SHALL BE COORDINATED WITH SOUTHERN ENGINEERS.
- TRUSS SCHEMATICS (PROFILES) SHALL BE PREPARED AND SEALED BY TRUSS MANUFACTURER.
- ALL TRUSSES SHALL BE DESIGNED FOR BEARING ON SFF #2 OR #3 PLATES OR LEDGERS (UNO).
- ALL REQUIRED ANCHORS FOR TRUSSES DUE TO UPLIFT OR BEARING SHALL MEET THE REQUIREMENTS AS SPECIFIED ON THE TRUSS SCHEMATICS.

**HEADER/BEAM & COLUMN NOTES**

- ALL EXTERIOR AND LOAD BEARING HEADERS SHALL BE MIN. (2)2x6 (4" WALL) OR (3)2x6 (6" WALL) WITH (1) SUPPORT STUD, UNLESS NOTED OTHERWISE.
- THE NUMBER SHOWN AT BEAM AND HEADER SUPPORTS INDICATES THE NUMBER OF SUPPORT STUDS REQUIRED IN STUD POCKET OR COLUMN. THE NUMBER OF KING STUDS AT EACH END OF HEADERS IN EXTERIOR WALLS SHALL BE ACCORDING TO ITEM "4" IN TABLE R602.3(5) OR AS BELOW PER NCD01 COMMENTARY "KING STUDS AT WALL OPENINGS" REVISED 1-4-2020:
  - UP TO 3' SPAN: (1) KING STUD
  - OVER 3' UP TO 6' SPAN: (2) KING STUDS
  - OVER 6' UP TO 9' SPAN: (3) KING STUDS
  - OVER 9' UP TO 12' SPAN: (4) KING STUDS
  - OVER 12' UP TO 15' SPAN: (5) KING STUDS

**FRAMING NOTES**

NC (2018 NRC): Wind: 115-120 mph

- BRACING METHOD AND TYPE: CONTINUOUSLY SHEATHED WSP, CS-WSP. NOTE THAT THE WALL BRACING AMOUNT PROVIDED ON THE PLANS (DETAILS AND SPECIFICATIONS) IS GREATER THAN THE AMOUNT OF WALL BRACING REQUIRED BY SECTION R602.10 OF THE CODE. SEE NOTES BELOW FOR DETAILS AND SPECIFICATIONS FOR WALL BRACING AND WALL FRAMING.
- EXTERIOR WALL SHEATHING: WALLS SHALL BE BRACED BY SHEATHING WALLS ON ALL STORIES WITH WOOD STRUCTURAL PANEL SHEATHING (WSP) (EXPOSURE B: 7/16", EXPOSURE C: 15/32"). SHEATHING SHALL BE ATTACHED WITH 8d NAILS AT A 6"X12" NAILING PATTERN (6" OC AT PANEL EDGES AND 12" OC AT INTERMEDIATE SUPPORTS). INSTALL BLOCKING AT ALL PANEL EDGES.
- WSP SHEATHING SHALL EXTEND TO THE UPPERMOST DOUBLE BEARING PLATE. BLOCK AT ROOF PER SECTION R602.10.4.5 AND ATTACH BRACED WALLS PER CODE. WSP SHEATHING BETWEEN FLOORS SHALL BE SPLICED ALONG CONTINUOUS BAND OR THE WSP SHEATHING MAY BE SPLICED ACROSS STUDS (CONTINUOUS ACROSS FLOOR SYSTEM) WITH BLOCKING AT PANEL EDGES. (MINIMUM 12" BEYOND FLOOR BREAK) OR OTHER APPROVED METHOD.
- "HD" = HOLD-DOWN: HOLD-DOWN DEVICE (NOTED AS "HD" ON PLANS) SHALL BE AN 800 POUND CAPACITY ASSEMBLY AS NOTED ON PLANS. SEE DETAILS FOR HD ASSEMBLY.
  - \*\*GROUND/FIRST FLOOR: USE "HD HOLD-DOWN DETAIL" ON SD SHEET (OR EQUIV.)
  - \*\*UPPER FLOORS: ATTACH BASE OF KING STUD WITH A SIMPSON CS20 OR CSHF20 STRAP DOWN ACROSS THE BAND AND DOWN TO A STUD BELOW OR HEADER BELOW. EXTEND STRAP 7" MIN ALONG EACH STUD (OR HEADER) AND ATTACH EACH END W/ (1) 8d NAILS.
- INTERIOR BRACED WALL: (NOTED AS "IBW" ON PLANS) ATTACH 1/2" GYPSUM BOARD (GB) ON EACH SIDE OF WALL WITH A MIN. OF 5d COOLER NAILS OR #6 SCREWS @ 7" O.C. ALONG THE EDGES AND AT INTERMEDIATE SUPPORTS. SEE SECTION R602.10.4.4 OF THE CODE.
- INTERIOR BRACED WALL-WOOD STRUCTURAL PANEL: (NOTED AS "IBW-WSP" ON PLANS). ATTACH ONE SIDE WITH 3/8" WSP SHEATHING WITH 8d NAILS AT A 6"X12" NAILING PATTERN (6" OC AT PANEL EDGES AND 12" OC AT INTERMEDIATE SUPPORTS). INSTALL BLOCKING AT ALL PANEL EDGES. ATTACH GB OVER WSP AS REQUIRED. ATTACH OPPOSITE SIDE WITH 1/2" GB WITH A MIN. OF 5d COOLER NAILS OR #6 SCREWS @ 7" O.C. ALONG THE EDGES AND AT INTERMEDIATE SUPPORTS. SEE SECTION R602.10.4.4 OF THE CODE.

**WOOD I-JOISTS**

(SHALL BE ONE OF THE FOLLOWING OR EQUAL):

- TJI 210 BY TRUS JOIST
- LPI 20 PLUS BY LP
- BCI 5000s 1.8 BY BC

**HEAVY WOOD I-JOISTS**

(SHALL BE ONE OF THE FOLLOWING OR EQUAL):

- TJI 360 BY TRUS JOIST
- LPI 42 PLUS BY LP
- BCI 60s 2.0 BY BC

- ALL WOOD I-JOISTS SHALL BE INSTALLED ACCORDING TO MANUFACTURER'S SPECIFICATIONS.
- INSTALL SQUASH BLOCKS, WEB STIFFENERS, ETC. AS REQUIRED BY AND ACCORDING TO THE I-JOIST MANUFACTURER'S SPECIFICATIONS AND INSTRUCTIONS.
- HANGERS FOR I-JOISTS ARE THE RESPONSIBILITY OF THE I-JOIST SUPPLIER.
- FLOOR TRUSSES BY MANUFACTURER MAY BE SUBSTITUTED FOR ANY I-JOISTS.

**PORCH POST NOTES:**

- 4x4 (6x6) TRTD POST (OR EQUAL).
- ATTACH TRUSSES (RAFTERS) AT PORCH WITH HURRICANE CONNECTORS.
- POST CAP: SIMPSON AC4-MAX (AC6-MAX)
- POST CAP AT CORNER: (2) SIMPSON LGE4 (MITER HEADER AT CORNER). HIGH WIND, ADD (1) SIMPSON H6.
- POST BASE: SIMPSON ABU44 (ABU66).
  - MONO: 3/8" ANCHOR (EMBED 7")
  - CMU: 3/8" ANCHOR (EXTEND TO FOOTING - HIGH WIND ONLY)
- POST BASE: WOOD FOUNDATION: (2) SIMPSON CS16 STRAPS AT POSTS. EXTEND 12" ONTO EACH POST (UPPER AND LOWER) OR TO GIRDER.
- NOTE: THE ABOVE CONNECTORS ARE SUGGESTIONS. EQUIVALENT CONNECTORS THAT MEET THE REQUIREMENTS OF THE NC RESIDENTIAL BUILDING CODE, LOCAL CODES, AND/OR ARE APPROVED BY THE BUILDING INSPECTOR MAY BE SUBSTITUTED.

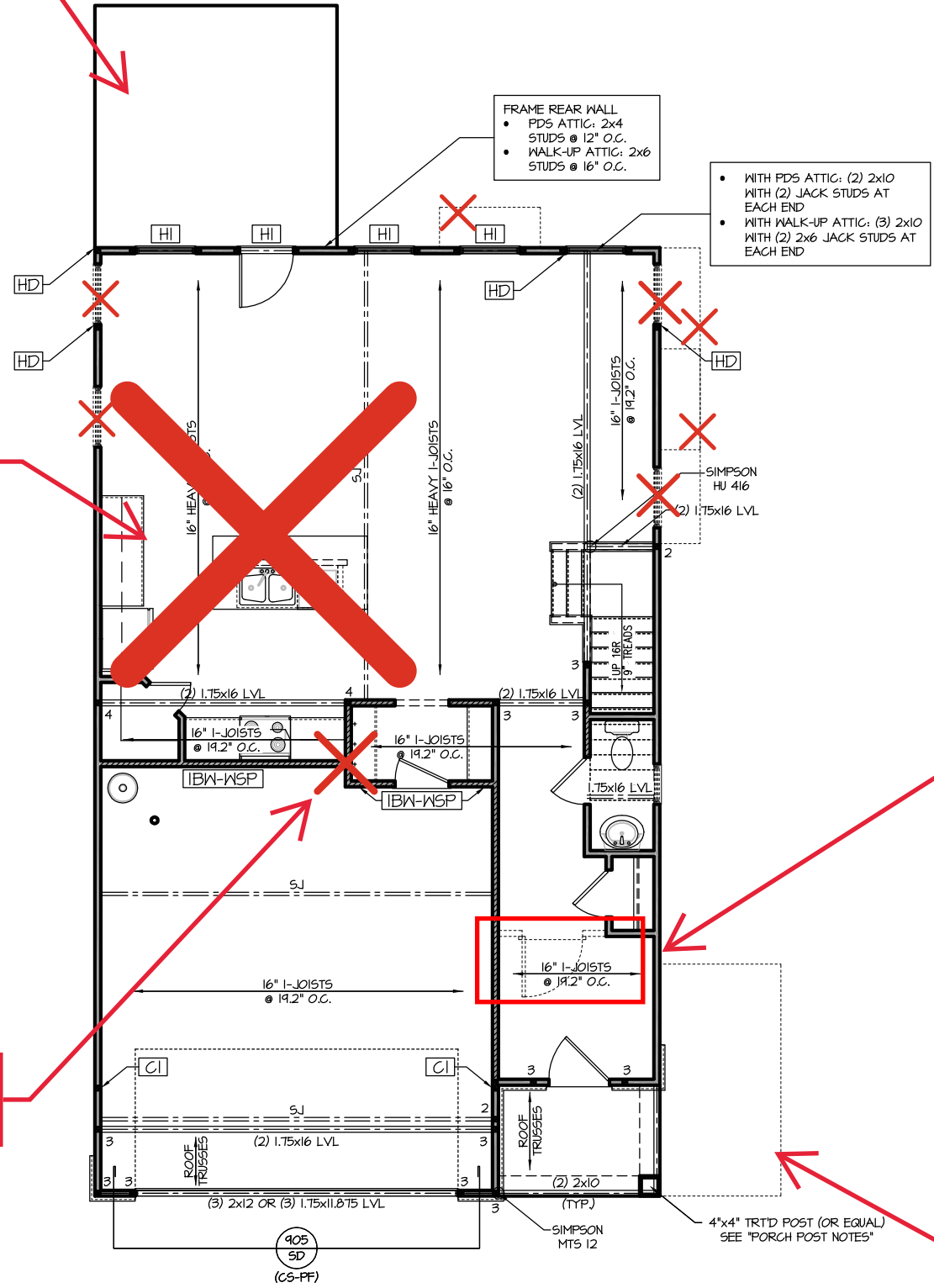
Extended Cafe - S-2.1.1

Messy Kitchen / Power Pantry - S-2.1.1

Rear garage wall changes with Messy Kitchen/Power Pantry.

Smart Door Delivery

Extended Front Porch - S-2.1.1



FIRST FLOOR PLAN 'FRENCH COUNTRY'

SCALE: 1/8"=1'-0" ON 11x17, 1/4"=1'-0" ON 22x34

Roof Truss Version

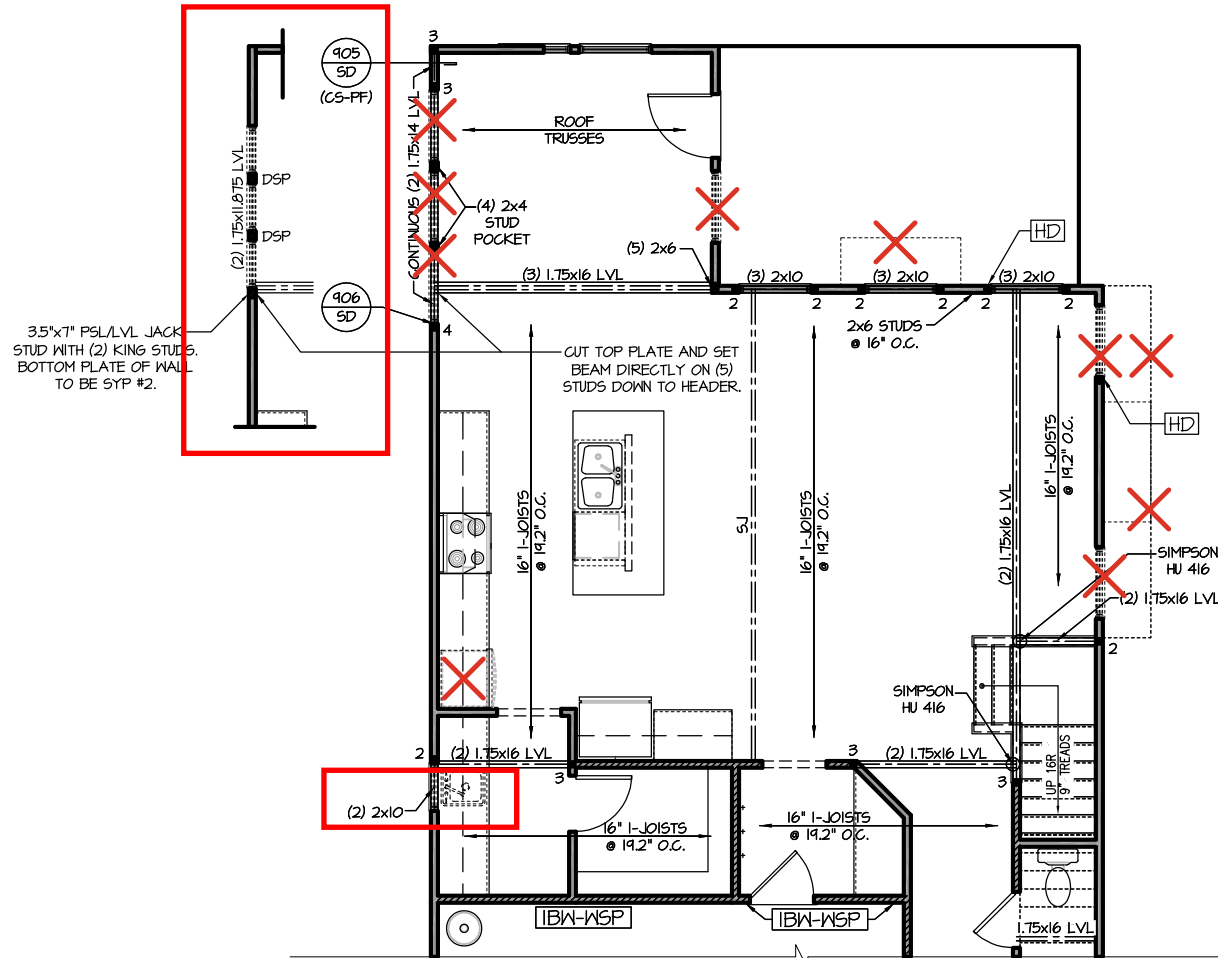


Engineers seal applies only to structural components on this document.  
Seal does not include construction means, methods, techniques, sequences, procedures or safety precautions.  
Any deviations or discrepancies on plans are to be brought to the immediate attention of Southern Engineers. Failure to do so will void Southern Engineer's liability.  
Use of these plans constitutes approval of terms & conditions as defined in the customer agreement.

**Southern Engineers, P.A.**  
3716 Benson Drive, Raleigh, NC 27609  
Phone: (919) 878-1617  
License: C-4772  
www.southernengineers.com

**NEW HOME, INC.**

**SMITHFIELD**  
Garage Left

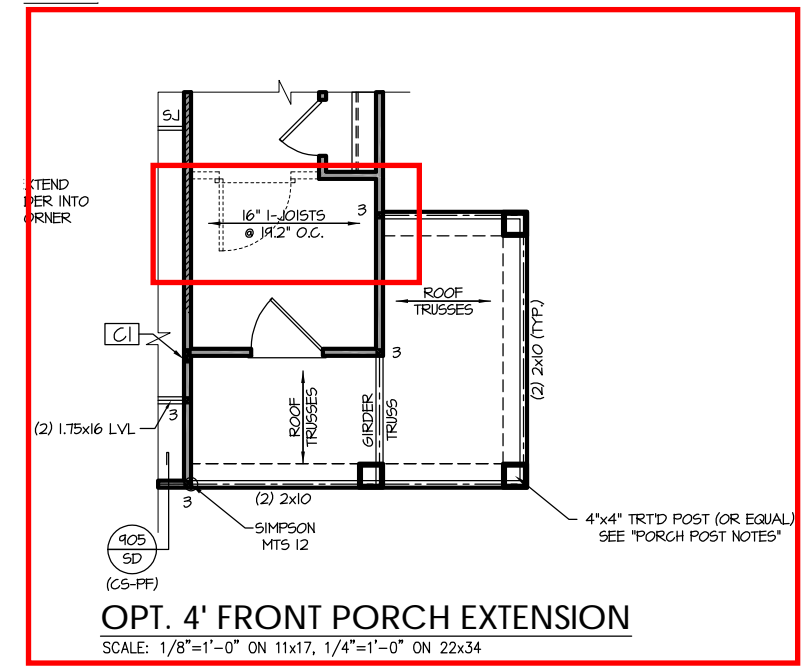


**OPT. KITCHEN W/ EXTENDED CAFE**

SCALE: 1/8"=1'-0" ON 11x17, 1/4"=1'-0" ON 22x34

- |    |  |
|----|--|
| HI | <ul style="list-style-type: none"> <li>WITH PDS ATTIC: (2) 2x12 WITH (2) JACK STUDS AT EACH END</li> <li>WITH WALK-UP ATTIC: (3) 2x10 WITH (2) 2x6 JACK STUDS AT EACH END</li> </ul> |
|----|--|

- |    |  |
|----|--|
| CI | <ul style="list-style-type: none"> <li>WITH PDS ATTIC: 3.5"x5.25" PSL/LVL COLUMN</li> <li>WITH WALK-UP ATTIC: 3.5"x7" PSL/LVL COLUMN</li> <li>WITH BOTH OPTIONS INSTALL A 2x4 STUD ON EACH SIDE OF COLUMN AND ATTACH WITH (2) ROWS OF 12d NAILS @ 6" O.C.</li> </ul> |
|----|--|



**OPT. 4' FRONT PORCH EXTENSION**

SCALE: 1/8"=1'-0" ON 11x17, 1/4"=1'-0" ON 22x34





Engineers seal applies only to structural components on this document.  
Seal does not include construction means, methods, techniques, sequences, procedures or safety precautions.  
Any deviations or discrepancies on plans are to be brought to the immediate attention of Southern Engineers. Failure to do so will void Southern Engineer's liability.  
Use of these plans constitutes approval of terms & conditions as defined in the customer agreement.

**Southern Engineers, P.A.**  
3716 Benson Drive, Raleigh, NC 27609  
Phone: (919) 878-1617  
License: C-4772  
www.southernengineers.com

**NEW HOME, INC.**

**SMITHFIELD**  
Garage Left

**S-2.2**

**TRUSS SYSTEM REQUIREMENTS**

NC (2018 NCR): Wind: 115-120 mph

1. TRUSS SYSTEM LAYOUTS (PLACEMENT PLANS) SHALL BE DESIGNED IN ACCORDANCE WITH SEALED STRUCTURAL PLANS. ANY NEED TO CHANGE TRUSSES SHALL BE COORDINATED WITH SOUTHERN ENGINEERS.
2. TRUSS SCHEMATICS (PROFILES) SHALL BE PREPARED AND SEALED BY TRUSS MANUFACTURER.
3. ALL TRUSSES SHALL BE DESIGNED FOR BEARING ON SFF #2 OR #3 PLATES OR LEDGERS (UNO).
4. ALL REQUIRED ANCHORS FOR TRUSSES DUE TO UPLIFT OR BEARING SHALL MEET THE REQUIREMENTS AS SPECIFIED ON THE TRUSS SCHEMATICS.

**HEADER/BEAM & COLUMN NOTES**

1. ALL EXTERIOR AND LOAD BEARING HEADERS SHALL BE MIN. (2)2x6 (4" WALL) OR (3)2x6 (6" WALL) WITH (1) SUPPORT STUD, UNLESS NOTED OTHERWISE.
2. THE NUMBER SHOWN AT BEAM AND HEADER SUPPORTS INDICATES THE NUMBER OF SUPPORT STUDS REQUIRED IN STUD POCKET OR COLUMN. THE NUMBER OF KING STUDS AT EACH END OF HEADERS IN EXTERIOR WALLS SHALL BE ACCORDING TO ITEM "d" IN TABLE R602.3(5) OR AS BELOW PER NCDOL COMMENTARY "KING STUDS AT WALL OPENINGS" REVISED 1-4-2020:
  - UP TO 3' SPAN: (1) KING STUD
  - OVER 3' UP TO 6' SPAN: (2) KING STUDS
  - OVER 6' UP TO 9' SPAN: (3) KING STUDS
  - OVER 9' UP TO 12' SPAN: (4) KING STUDS
  - OVER 12' UP TO 15' SPAN: (5) KING STUDS

**FRAMING NOTES**

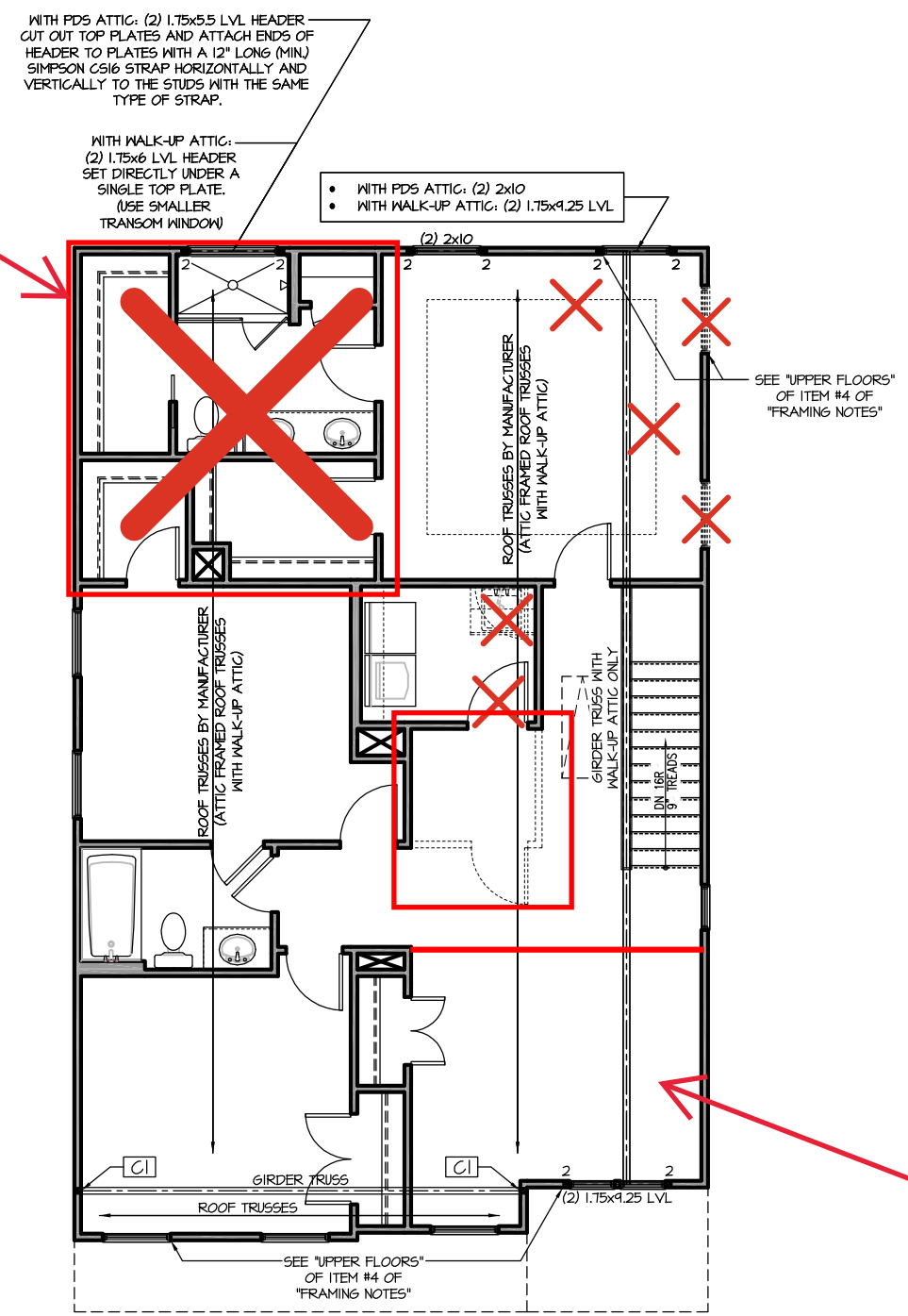
NC (2018 NCR): Wind: 115-120 mph

1. BRACING METHOD AND TYPE: CONTINUOUSLY SHEATHED WSP, CS-WSP. NOTE THAT THE WALL BRACING AMOUNT PROVIDED ON THE PLANS (DETAILS AND SPECIFICATIONS) IS GREATER THAN THE AMOUNT OF WALL BRACING REQUIRED BY SECTION R602.10 OF THE CODE. SEE NOTES BELOW FOR DETAILS AND SPECIFICATIONS FOR WALL BRACING AND WALL FRAMING.
2. EXTERIOR WALL SHEATHING: WALLS SHALL BE BRACED BY SHEATHING WALLS ON ALL STORIES WITH WOOD STRUCTURAL PANEL SHEATHING (WSP) (EXPOSURE B: 7/16", EXPOSURE C: 15/32"). SHEATHING SHALL BE ATTACHED WITH 8d NAILS AT A 6"X12" NAILING PATTERN (6" OC AT PANEL EDGES AND 12" OC AT INTERMEDIATE SUPPORTS). INSTALL BLOCKING AT ALL PANEL EDGES.
3. WSP SHEATHING SHALL EXTEND TO THE UPPERMOST DOUBLE BEARING PLATE. BLOCK AT ROOF PER SECTION R602.10.4.5 AND ATTACH BRACED WALLS PER CODE. WSP SHEATHING BETWEEN FLOORS SHALL BE SPLICED ALONG CONTINUOUS BAND OR THE WSP SHEATHING MAY BE SPLICED ACROSS STUDS (CONTINUOUS ACROSS FLOOR SYSTEM) WITH BLOCKING AT PANEL EDGES. (MINIMUM 12" BEYOND FLOOR BREAK) OR OTHER APPROVED METHOD.
4. "HD" = HOLD-DOWN: HOLD-DOWN DEVICE (NOTED AS "HD" ON PLANS) SHALL BE AN 800 POUND CAPACITY ASSEMBLY AS NOTED ON PLANS. SEE DETAILS FOR HD ASSEMBLY.
  - \*\*GROUND/FIRST FLOOR: USE "HD HOLD-DOWN DETAIL" ON SD SHEET (OR EQUIV.)
  - \*\*UPPER FLOORS: ATTACH BASE OF KING STUD WITH A SIMPSON CS20 OR CSHP20 STRAP DOWN ACROSS THE BAND AND DOWN TO A STUD BELOW OR HEADER BELOW. EXTEND STRAP 7" MIN ALONG EACH STUD (OR HEADER) AND ATTACH EACH END W/ (1) 8d NAILS.
5. INTERIOR BRACED WALL: (NOTED AS "IBW" ON PLANS) ATTACH 1/2" GYPSUM BOARD (GB) ON EACH SIDE OF WALL WITH A MIN. OF 5d COOLER NAILS OR #6 SCREWS @ 7" O.C. ALONG THE EDGES AND AT INTERMEDIATE SUPPORTS. SEE SECTION R602.10.4.4 OF THE CODE.
6. INTERIOR BRACED WALL-WOOD STRUCTURAL PANEL: (NOTED AS "IBW-WSP" ON PLANS). ATTACH ONE SIDE WITH 3/8" WSP SHEATHING WITH 8d NAILS AT A 6"X12" NAILING PATTERN (6" OC AT PANEL EDGES AND 12" OC AT INTERMEDIATE SUPPORTS). INSTALL BLOCKING AT ALL PANEL EDGES. ATTACH GB OVER WSP AS REQUIRED. ATTACH OPPOSITE SIDE WITH 1/2" GB WITH A MIN. OF 5d COOLER NAILS OR #6 SCREWS @ 7" O.C. ALONG THE EDGES AND AT INTERMEDIATE SUPPORTS. SEE SECTION R602.10.4.4 OF THE CODE.

Alternative Owners Bath

C1

- WITH PDS ATTIC: (6) 2x4 COLUMN. ATTACH EACH STUD WITH (2) 12d NAILS @ 6" O.C.
- WITH WALK-UP ATTIC: 3.5"x7" PSL/LVL COLUMN INSTALL A 2x4 STUD ON EACH SIDE OF COLUMN AND ATTACH WITH (2) ROWS OF 12d NAILS @ 6" O.C.



Bed 4 ILO Game Room - S-2.2.1

**SECOND FLOOR PLAN 'FRENCH COUNTRY'**  
SCALE: 1/8"=1'-0" ON 11x17, 1/4"=1'-0" ON 22x34

Roof Truss Version

PROJECT #  
21-3366.1-LH

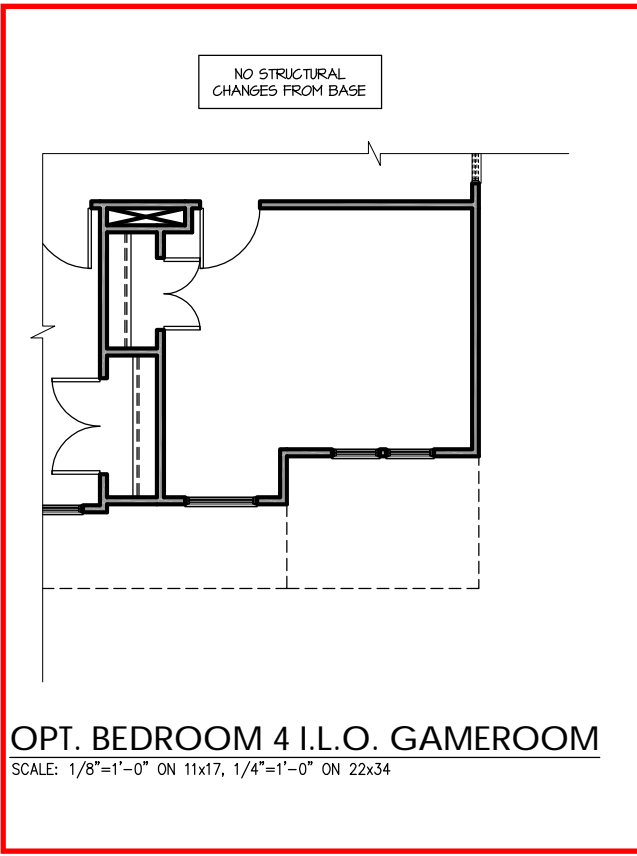
Engineers seal applies only to structural components on this document.  
Seal does not include construction means, methods, techniques, sequences, procedures or safety precautions.  
Any deviations or discrepancies on plans are to be brought to the immediate attention of Southern Engineers. Failure to do so will void Southern Engineer's liability.  
Use of these plans constitutes approval of terms & conditions as defined in the customer agreement.

**Southern Engineers, P.A.**  
3716 Benson Drive, Raleigh, NC 27609  
Phone: (919) 878-1617  
License: C-4772  
www.southernengineers.com

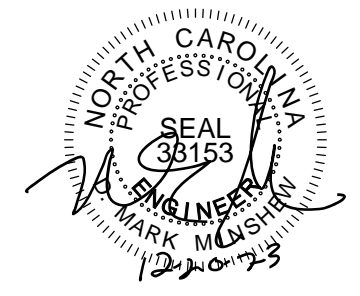
**NEW HOME, INC.**

**SMITHFIELD**  
Garage Left

**S-2.2.1**



Roof Truss Version



Engineers seal applies only to structural components on this document.  
Seal does not include construction means, methods, techniques, sequences, procedures or safety precautions.  
Any deviations or discrepancies on plans are to be brought to the immediate attention of Southern Engineers. Failure to do so will void Southern Engineer's liability.  
Use of these plans constitutes approval of terms & conditions as defined in the customer agreement.

**Southern Engineers, P.A.**  
3716 Benson Drive, Raleigh, NC 27609  
Phone: (919) 878-1617  
License: C-4772  
www.southernengineers.com

**NEW HOME, INC.**

**SMITHFIELD**  
Garage Left

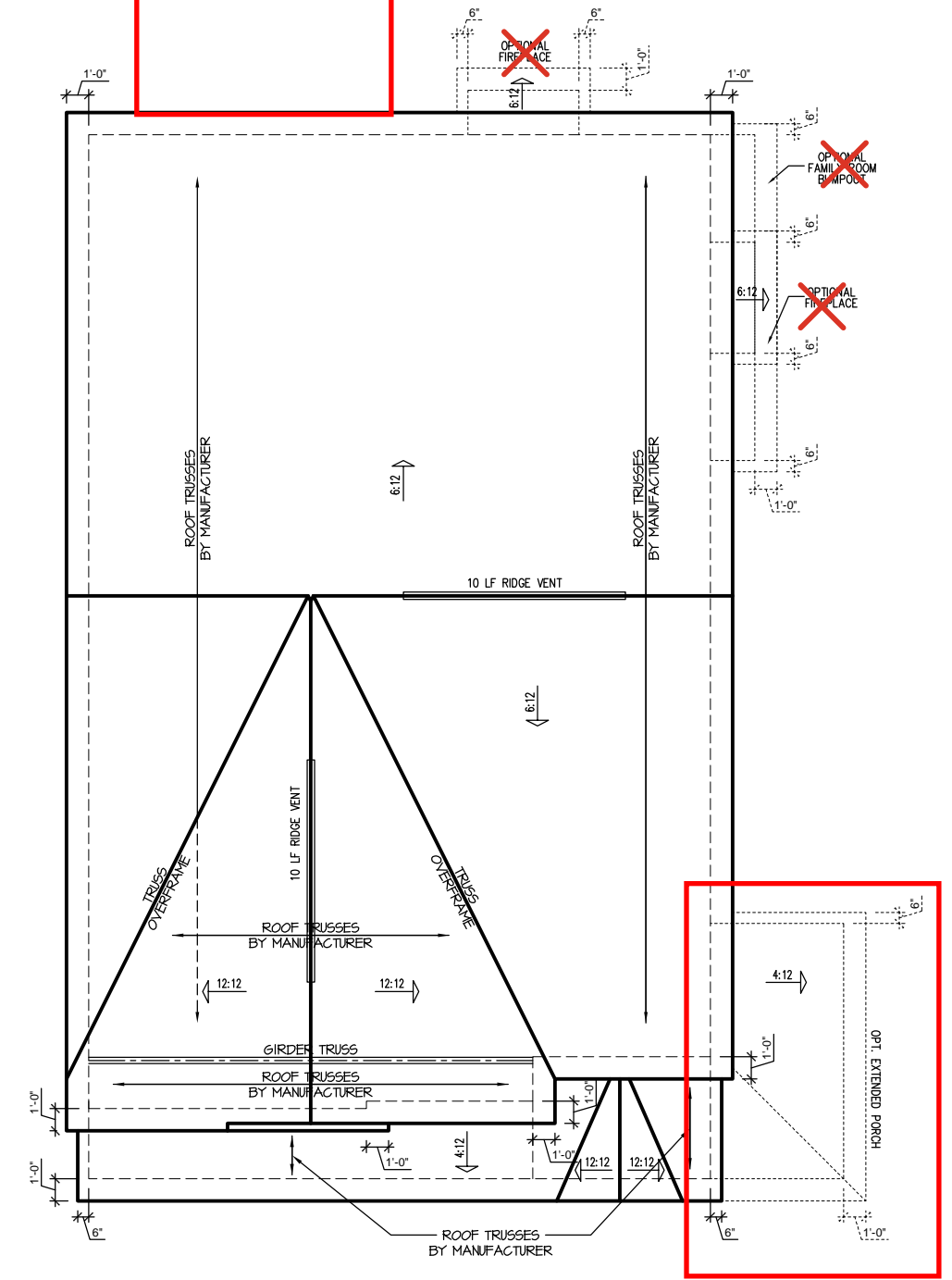
**TRUSS SYSTEM REQUIREMENTS**

- NC (2018 NRC): Wind: 115-120 mph
- TRUSS SYSTEM LAYOUTS (PLACEMENT PLANS) SHALL BE DESIGNED IN ACCORDANCE WITH SEALED STRUCTURAL PLANS. ANY NEED TO CHANGE TRUSSES SHALL BE COORDINATED WITH SOUTHERN ENGINEERS.
  - TRUSS SCHEMATICS (PROFILES) SHALL BE PREPARED AND SEALED BY TRUSS MANUFACTURER.
  - ALL TRUSSES SHALL BE DESIGNED FOR BEARING ON SFF #2 OR #3 PLATES OR LEDGERS (UNO).
  - ALL REQUIRED ANCHORS FOR TRUSSES DUE TO UPLIFT OR BEARING SHALL MEET THE REQUIREMENTS AS SPECIFIED ON THE TRUSS SCHEMATICS.

**ROOF FRAMING NOTES:**

- NC (2018 NRC): Wind: 115-120 mph
- 2x8 RAFTERS @ 16" O.C. WITH 2x10 RIDGE, UNO.
  - (2) 2x10 OR 1.75x11.875 LVL HIP, (2) 2x10 HIPS MAY BE SPLICED WITH A MIN. 6'-0" OVERLAP AT CENTER
  - (2) 2x10 OR 1.75x11.875 LVL VALLEY. DO NOT SPLICE VALLEYS
  - 1.75x11.875 LVL OR (2)1.75x11.875 LVL VALLEY
  - FALSE FRAME VALLEY ON 2x10 FLAT PLATE
  - 2x6 RAFTERS @ 16" O.C. W/ 2x8 RIDGE, UNO.
  - 2x10 RAFTERS @ 16" O.C. W/ 2x12 RIDGE, UNO.
  - EXTEND RIDGE 12" BEYOND INTERSECTION
- "SR" = SINGLE RAFTER
  - "DR" = DOUBLE RAFTER
  - "TR" = TRIPLE RAFTER
  - "RS" = ROOF SUPPORT
  - "■" = (3) STUD OR 4x4 POST FOR ROOF SUPPORT (USE 2X6 STUDS OR 6X6 POST FOR SUPPORT OVER 10'-0" IN HEIGHT)
  - ATTACH VAULTED RAFTERS WITH HURRICANE CLIPS. SIMPSON "H-2.5A" OR EQUIVALENT TIES TO BE INSTALLED ON THE OUTSIDE FACE OF FRAMING.
  - INSTALL RAFTER TIES AND COLLAR TIES PER SECTION R802.3.1 OF THE 2018 NC RESIDENTIAL CODE.

Extended Cafe



**"FRENCH COUNTRY" ROOF PLAN**

SCALE: 1/4" = 1'-0" ON 22x34, 1/8" = 1'-0" ON 11x17

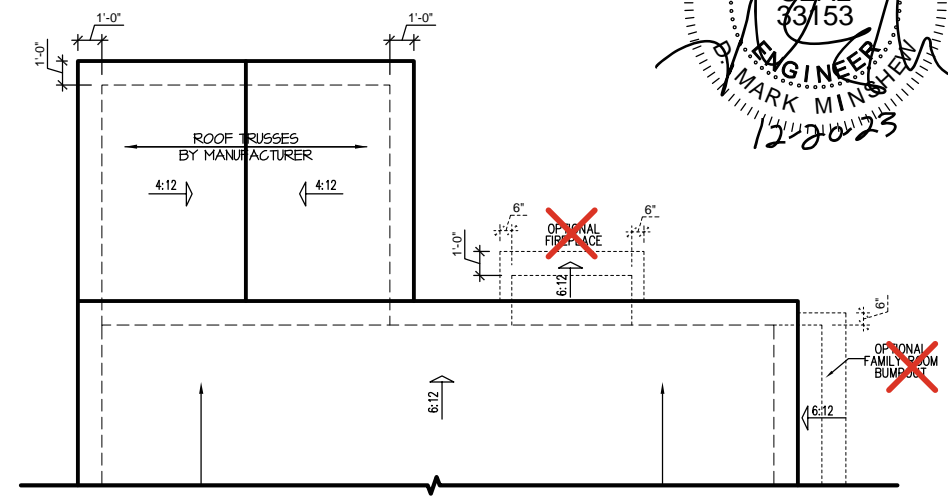
Roof Truss Version

Engineers seal applies only to structural components on this document.  
Seal does not include construction means, methods, techniques, sequences, procedures or safety precautions.  
Any deviations or discrepancies on plans are to be brought to the immediate attention of Southern Engineers. Failure to do so will void Southern Engineer's liability.  
Use of these plans constitutes approval of terms & conditions as defined in the customer agreement.

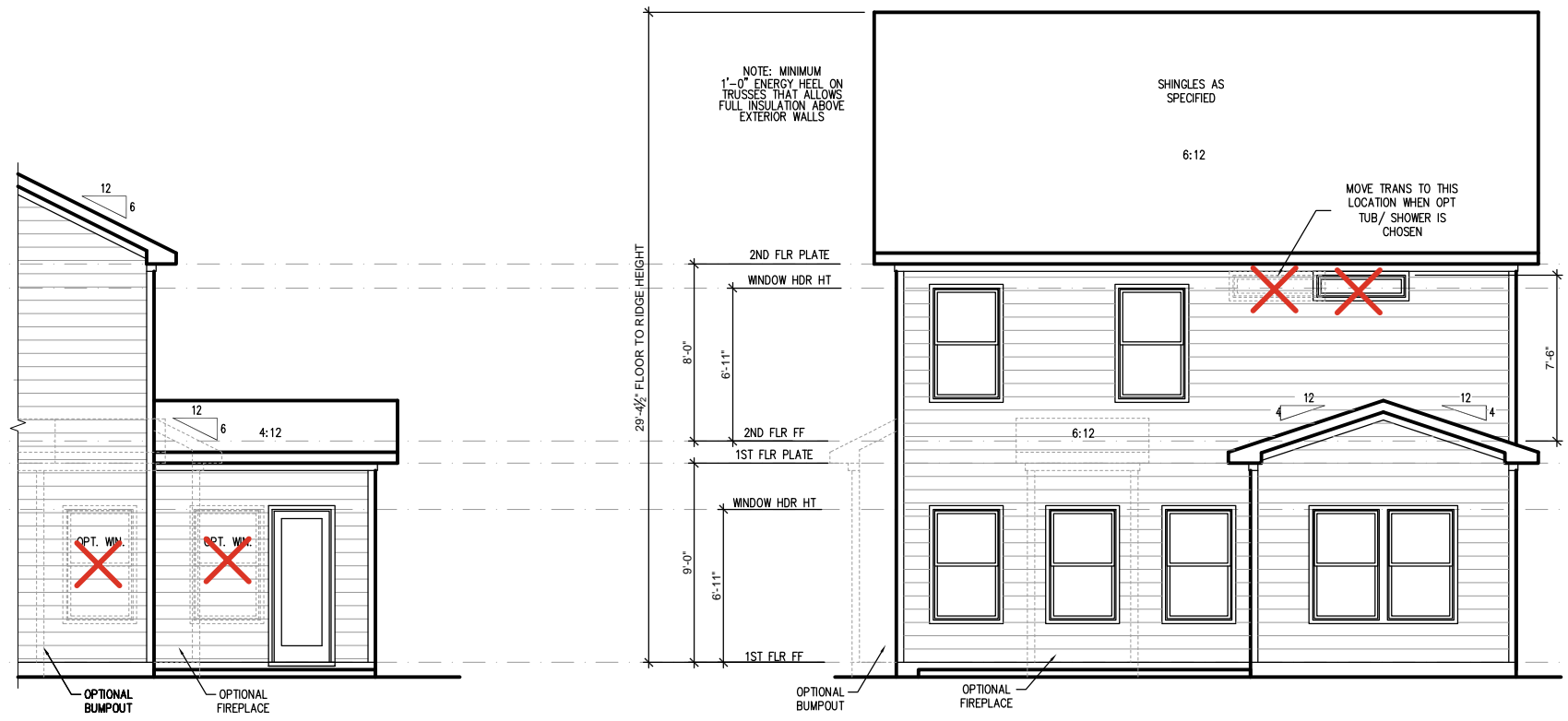
**Southern Engineers, P.A.**  
3716 Benson Drive, Raleigh, NC 27609  
Phone: (919) 878-1617  
License: C-4772  
www.southernengineers.com

**NEW HOME, INC.**

**SMITHFIELD**  
Garage Left



**EXTENDED CAFE ROOF PLAN**  
SCALE: 1/8"=1'-0" ON 11x17, 1/4"=1'-0" ON 22x34



**EXTENDED CAFE PARTIAL RIGHT SIDE ELEVATION**  
SCALE: 1/8"=1'-0" ON 11x17, 1/4"=1'-0" ON 22x34

**EXTENDED CAFE REAR ELEVATION**  
SCALE: 1/8"=1'-0" ON 11x17, 1/4"=1'-0" ON 22x34



**EXTENDED CAFE PARTIAL LEFT SIDE ELEVATION**  
SCALE: 1/8"=1'-0" ON 11x17, 1/4"=1'-0" ON 22x34

Roof Truss Version

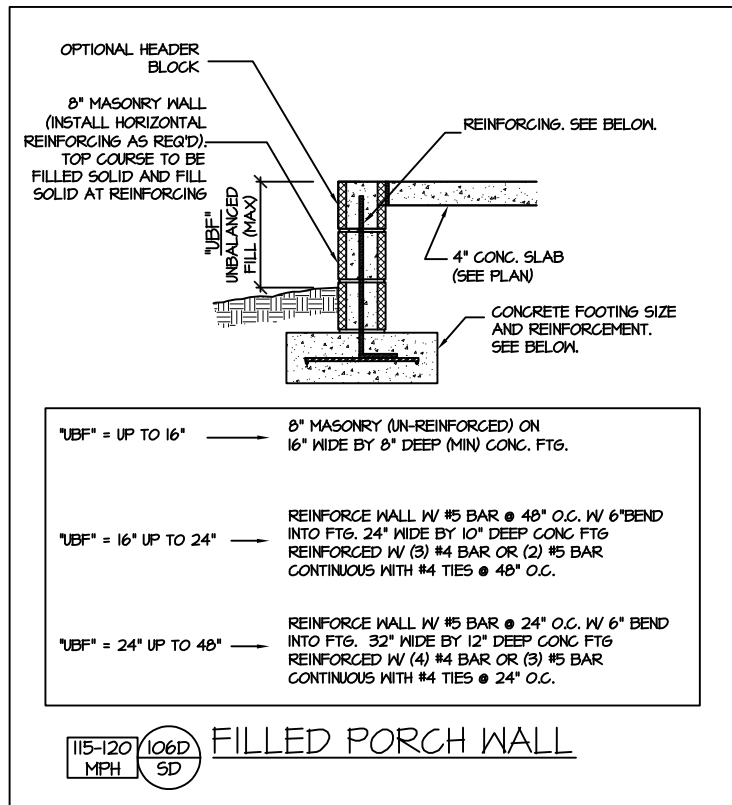
Engineers seal applies only to structural components on this document.  
Seal does not include construction means, methods, techniques, sequences, procedures or safety precautions.  
Any deviations or discrepancies on plans are to be brought to the immediate attention of Southern Engineers. Failure to do so will void Southern Engineer's liability.  
Use of these plans constitutes approval of terms & conditions as defined in the customer agreement.

**Southern Engineers, P.A.**  
3716 Benson Drive, Raleigh, NC 27609  
Phone: (919) 878-1617  
License: C-4772  
www.southernengineers.com

NEW HOME, INC.

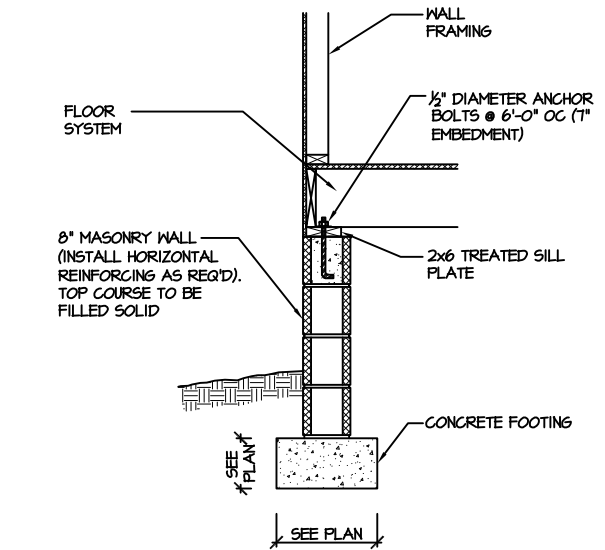
SMITHFIELD PLAN

SD

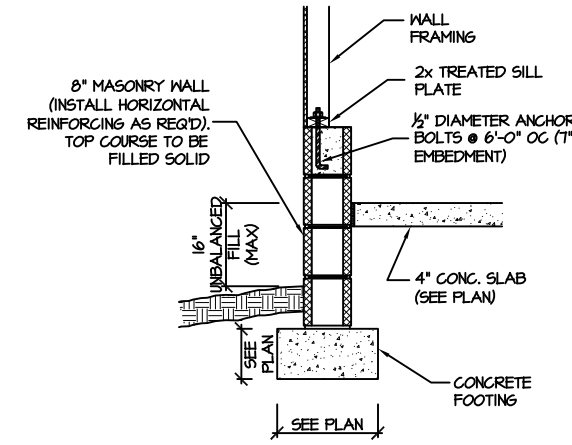


- "UBF" = UP TO 16" → 8" MASONRY (UN-REINFORCED) ON 16" WIDE BY 8" DEEP (MIN) CONG. FTG.
- "UBF" = 16" UP TO 24" → REINFORCE WALL W/ #5 BAR @ 48" O.C. W/ 6" BEND INTO FTG. 24" WIDE BY 10" DEEP CONG FTG REINFORCED W/ (3) #4 BAR OR (2) #5 BAR CONTINUOUS WITH #4 TIES @ 48" O.C.
- "UBF" = 24" UP TO 48" → REINFORCE WALL W/ #5 BAR @ 24" O.C. W/ 6" BEND INTO FTG. 32" WIDE BY 12" DEEP CONG FTG REINFORCED W/ (4) #4 BAR OR (3) #5 BAR CONTINUOUS WITH #4 TIES @ 24" O.C.

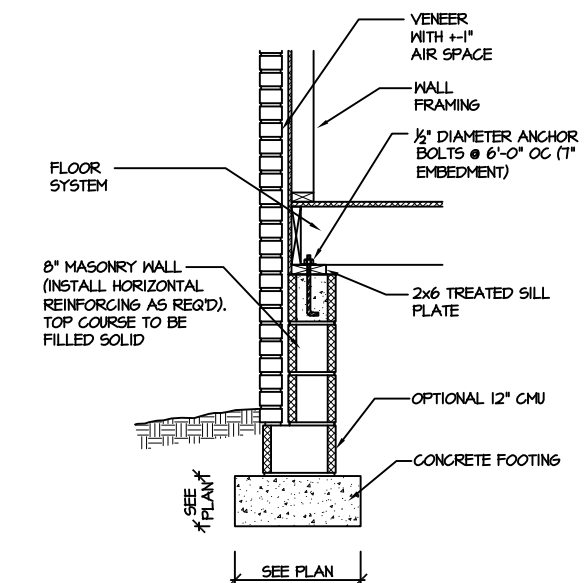
115-120 MPH 106D SD FILLED PORCH WALL



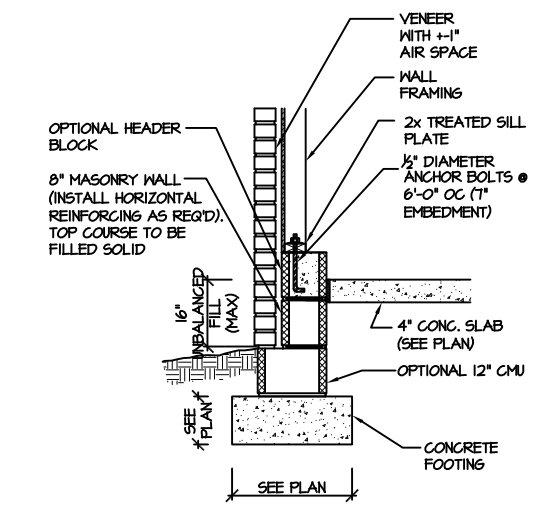
115-120 MPH 110A SD CRAWL SPACE FOOTING (SIDING OR EQUAL)



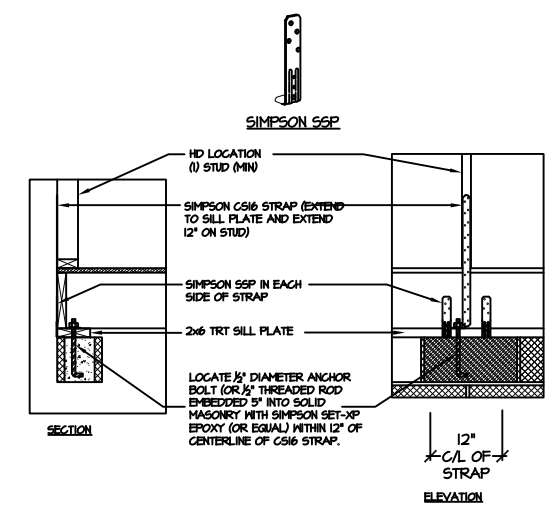
115-120 MPH 111A SD GARAGE WALL FOOTING (SIDING OR EQUAL)



115-120 MPH 112A SD CRAWL SPACE FOOTING (VENEER)



115-120 MPH 113A SD GARAGE WALL FOOTING (VENEER)

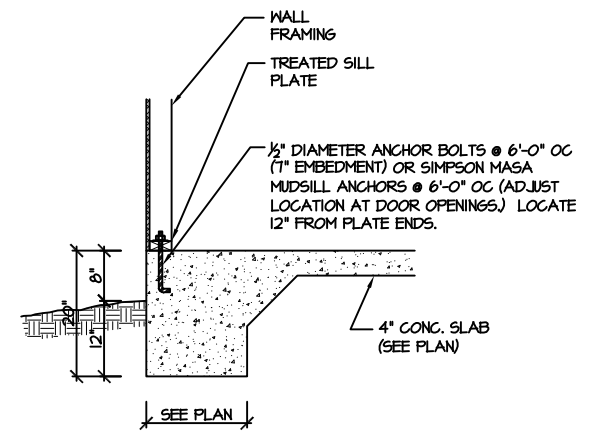


904 SD BRACED WALL END CONDITION "HD" HOLD-DOWN DETAIL  
NOTE: SIMPSON DTT-1Z IS ACCEPTABLE ALTERNATE  
NOTE: ALTERNATE HD HOLD-DOWN DEVICES OR SYSTEMS MAY BE USED TO MEET THE CODE REQUIRED 800 LB CAPACITY IN LIEU OF THE ABOVE DETAIL.

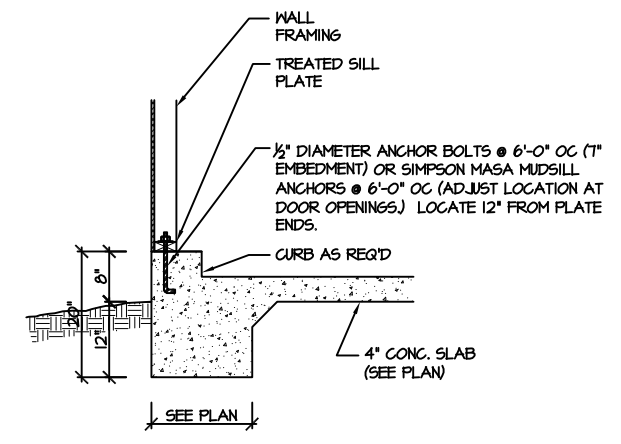
CRAWL SPACE FOUNDATION



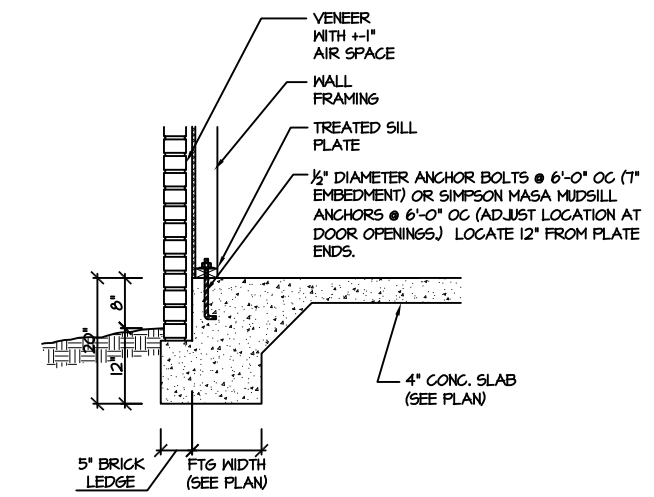
Engineers seal applies only to structural components on this document.  
Seal does not include construction means, methods, techniques, sequences, procedures or safety precautions.  
Any deviations or discrepancies on plans are to be brought to the immediate attention of Southern Engineers. Failure to do so will void Southern Engineer's liability.  
Use of these plans constitutes approval of terms & conditions as defined in the customer agreement.



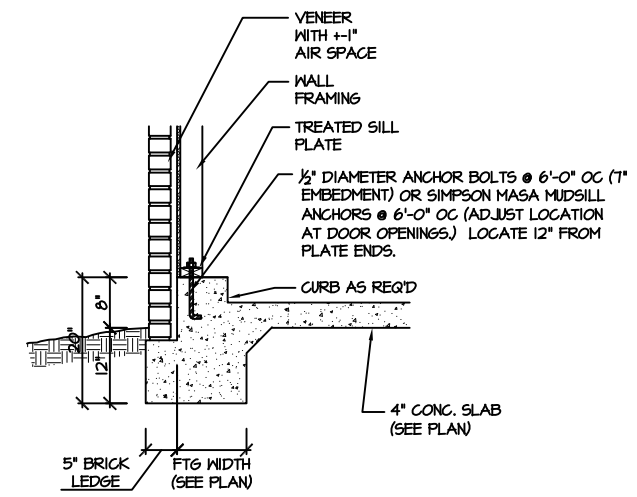
115-120 MPH 100A SD  
MONOLITHIC SLAB FOOTING  
(SIDING OR EQUAL)



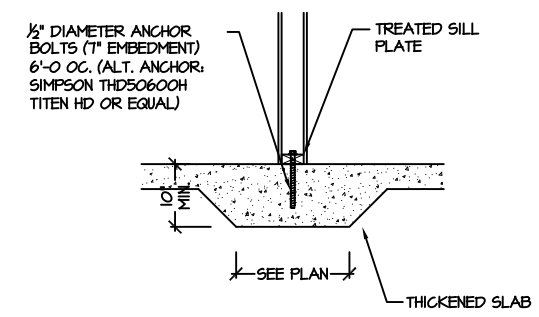
115-120 MPH 101A SD  
MONOLITHIC SLAB @ GARAGE  
(SIDING OR EQUAL)



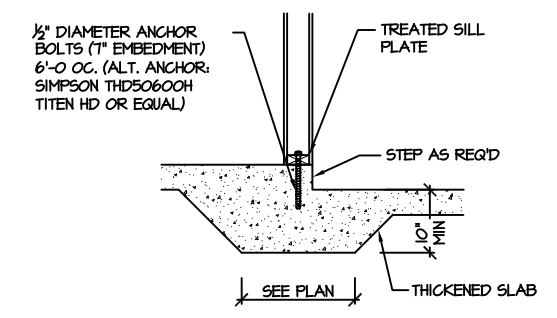
115-120 MPH 102A SD  
MONOLITHIC SLAB FOOTING  
(VENEER)



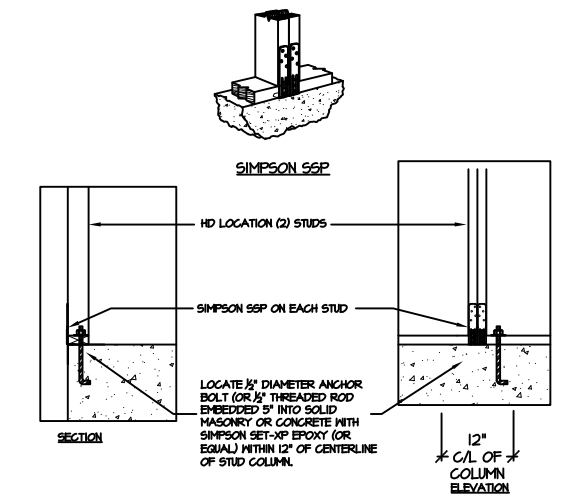
115-120 MPH 103A SD  
MONOLITHIC SLAB @ GARAGE  
(VENEER)



115-120 MPH 104A SD  
THICKENED SLAB  
(INTERIOR BEARING WALL)



115-120 MPH 105A SD  
THICKENED SLAB @ GARAGE  
(INTERIOR GARAGE WALL)



103 SD  
BRACED WALL END CONDITION "HD"  
HOLD-DOWN DETAIL  
NOTE: SIMPSON DTT-1Z IS ACCEPTABLE ALTERNATE  
NOTE: ALTERNATE HD HOLD-DOWN DEVICES OR SYSTEMS MAY BE USED TO MEET THE CODE REQUIRED 800 LB CAPACITY IN LIEU OF THE ABOVE DETAIL.

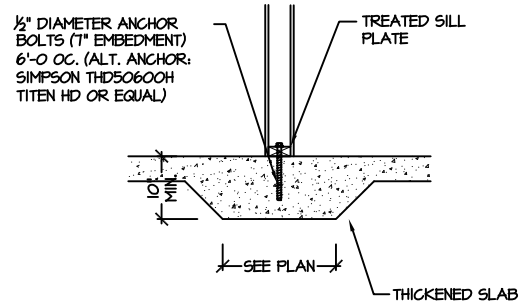
SLAB FOUNDATION

**Southern Engineers, P.A.**  
3716 Benson Drive, Raleigh, NC 27609  
Phone: (919) 878-1617  
License: C-4772  
www.southernengineers.com

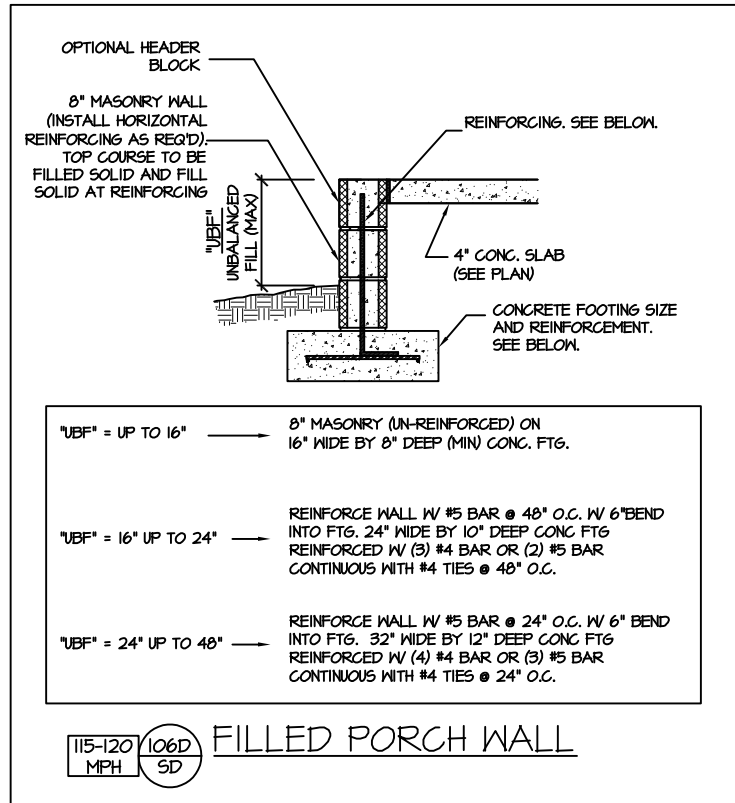
**NEW HOME, INC.**

**SMITHFIELD PLAN**

**SD**

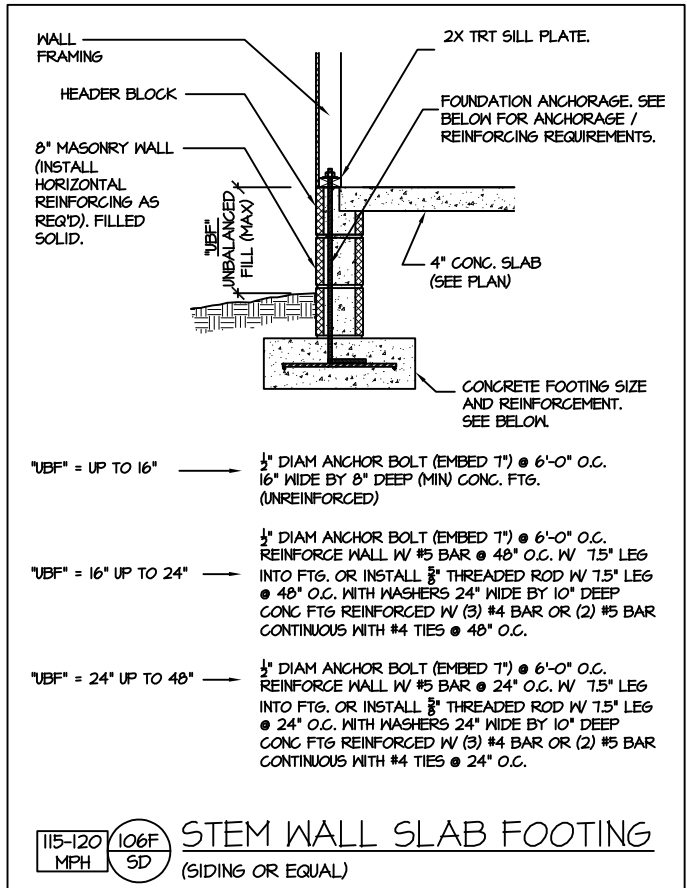


115-120 MPH 104A SD THICKENED SLAB (INTERIOR BEARING WALL)



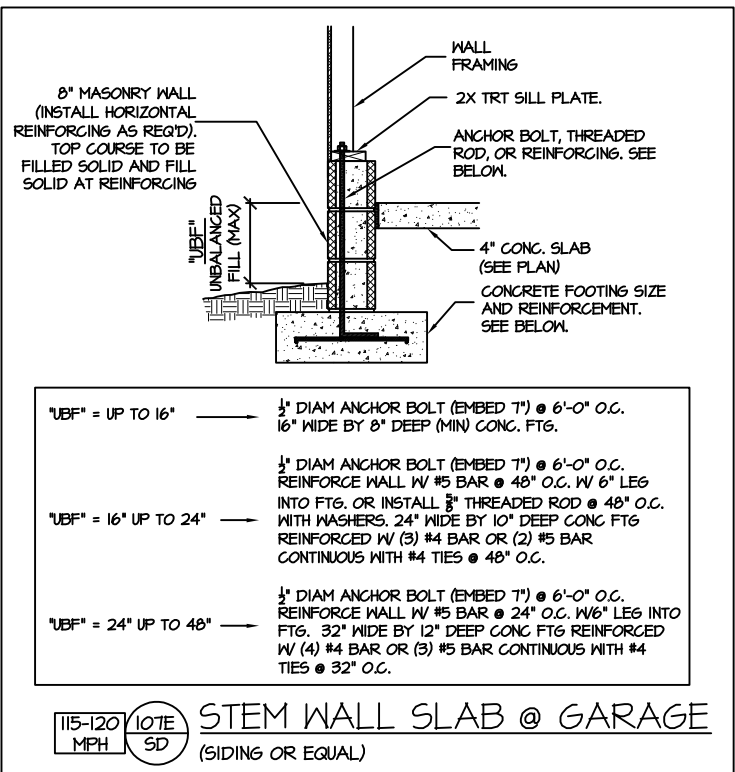
- "UBF" = UP TO 16" → 8" MASONRY (UN-REINFORCED) ON 16" WIDE BY 8" DEEP (MIN) CONG. FTG.
- "UBF" = 16" UP TO 24" → REINFORCE WALL W/ #5 BAR @ 48" O.C. W/ 6" BEND INTO FTG. 24" WIDE BY 10" DEEP CONG FTG REINFORCED W/ (3) #4 BAR OR (2) #5 BAR CONTINUOUS WITH #4 TIES @ 48" O.C.
- "UBF" = 24" UP TO 48" → REINFORCE WALL W/ #5 BAR @ 24" O.C. W/ 6" BEND INTO FTG. 32" WIDE BY 12" DEEP CONG FTG REINFORCED W/ (4) #4 BAR OR (3) #5 BAR CONTINUOUS WITH #4 TIES @ 24" O.C.

115-120 MPH 106D SD FILLED PORCH WALL



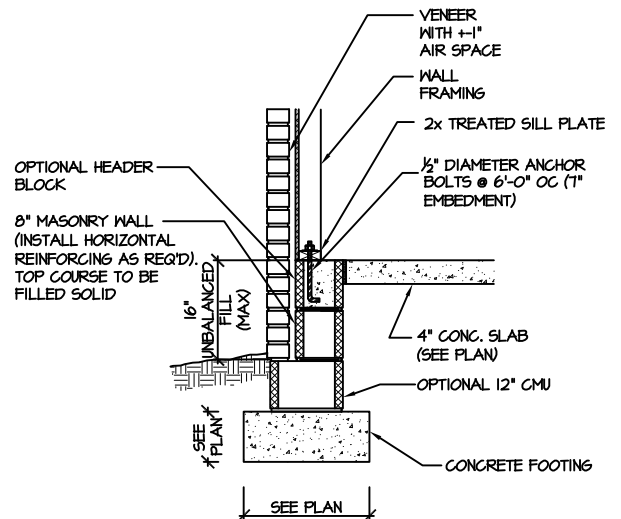
- "UBF" = UP TO 16" → 1/2" DIAM ANCHOR BOLT (EMBED 7") @ 6'-0" O.C. 16" WIDE BY 8" DEEP (MIN) CONG. FTG. (UNREINFORCED)
- "UBF" = 16" UP TO 24" → 1/2" DIAM ANCHOR BOLT (EMBED 7") @ 6'-0" O.C. REINFORCE WALL W/ #5 BAR @ 48" O.C. W/ 7.5" LEG INTO FTG. OR INSTALL 3/8" THREADED ROD W/ 7.5" LEG @ 48" O.C. WITH WASHERS 24" WIDE BY 10" DEEP CONG FTG REINFORCED W/ (3) #4 BAR OR (2) #5 BAR CONTINUOUS WITH #4 TIES @ 48" O.C.
- "UBF" = 24" UP TO 48" → 1/2" DIAM ANCHOR BOLT (EMBED 7") @ 6'-0" O.C. REINFORCE WALL W/ #5 BAR @ 24" O.C. W/ 7.5" LEG INTO FTG. OR INSTALL 3/8" THREADED ROD W/ 7.5" LEG @ 24" O.C. WITH WASHERS 24" WIDE BY 10" DEEP CONG FTG REINFORCED W/ (3) #4 BAR OR (2) #5 BAR CONTINUOUS WITH #4 TIES @ 24" O.C.

115-120 MPH 106F SD STEM WALL SLAB FOOTING (SIDING OR EQUAL)

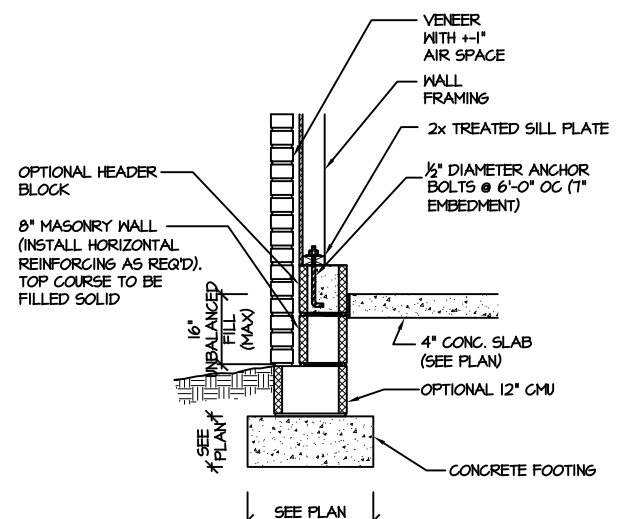


- "UBF" = UP TO 16" → 1/2" DIAM ANCHOR BOLT (EMBED 7") @ 6'-0" O.C. 16" WIDE BY 8" DEEP (MIN) CONG. FTG.
- "UBF" = 16" UP TO 24" → 1/2" DIAM ANCHOR BOLT (EMBED 7") @ 6'-0" O.C. REINFORCE WALL W/ #5 BAR @ 48" O.C. W/ 6" LEG INTO FTG. OR INSTALL 3/8" THREADED ROD @ 48" O.C. WITH WASHERS. 24" WIDE BY 10" DEEP CONG FTG REINFORCED W/ (3) #4 BAR OR (2) #5 BAR CONTINUOUS WITH #4 TIES @ 48" O.C.
- "UBF" = 24" UP TO 48" → 1/2" DIAM ANCHOR BOLT (EMBED 7") @ 6'-0" O.C. REINFORCE WALL W/ #5 BAR @ 24" O.C. W/ 6" LEG INTO FTG. 32" WIDE BY 12" DEEP CONG FTG REINFORCED W/ (4) #4 BAR OR (3) #5 BAR CONTINUOUS WITH #4 TIES @ 32" O.C.

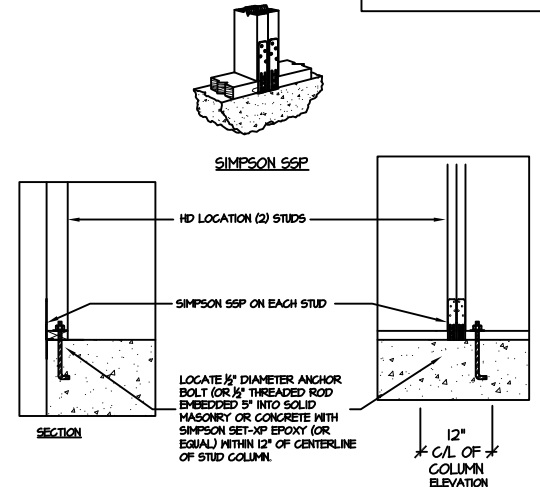
115-120 MPH 107E SD STEM WALL SLAB @ GARAGE (SIDING OR EQUAL)



115-120 MPH 108A SD STEM WALL SLAB FOOTING (VENEER) SEE "107E/SD" FOR GREATER THAN 16" UNBALANCED FILL.



115-120 MPH 109A SD STEM WALL SLAB @ GARAGE (VENEER) SEE "107E/SD" FOR GREATER THAN 16" UNBALANCED FILL.



903 SD BRACED WALL END CONDITION "HD" HOLD-DOWN DETAIL NOTE: SIMPSON DTT-1Z IS ACCEPTABLE ALTERNATE NOTE: ALTERNATE HD HOLD-DOWN DEVICES OR SYSTEMS MAY BE USED TO MEET THE CODE REQUIRED 800 LB CAPACITY IN LIEU OF THE ABOVE DETAIL.

STEM WALL SLAB FOUNDATION



PROJECT # 21-3366.1

Engineers seal applies only to structural components on this document. Seal does not include construction means, methods, techniques, sequences, procedures or safety precautions. Any deviations or discrepancies on plans are to be brought to the immediate attention of Southern Engineers. Failure to do so will void Southern Engineer's liability. Use of these plans constitutes approval of terms & conditions as defined in the customer agreement.

Southern Engineers, P.A.  
3716 Benson Drive, Raleigh, NC 27609  
Phone: (919) 878-1617  
License: C-4772  
www.southernengineers.com

NEW HOME, INC.

SMITHFIELD PLAN

SD



Engineers seal applies only to structural components on this document.  
Seal does not include construction means, methods, techniques, sequences, procedures or safety precautions.  
Any deviations or discrepancies on plans are to be brought to the immediate attention of Southern Engineers. Failure to do so will void Southern Engineer's liability.  
Use of these plans constitutes approval of terms & conditions as defined in the customer agreement.

**Southern Engineers, P.A.**  
3716 Benson Drive, Raleigh, NC 27609  
Phone: (919) 878-1617  
License: C-4772  
www.southernengineers.com

NEW HOME, INC.

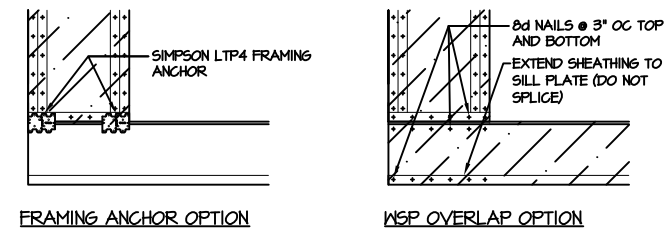
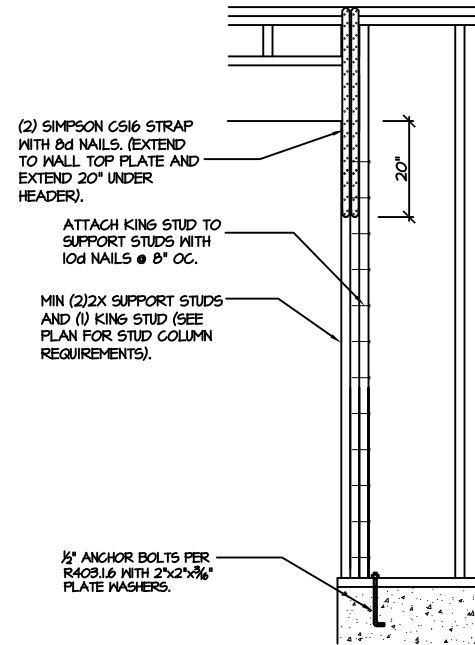
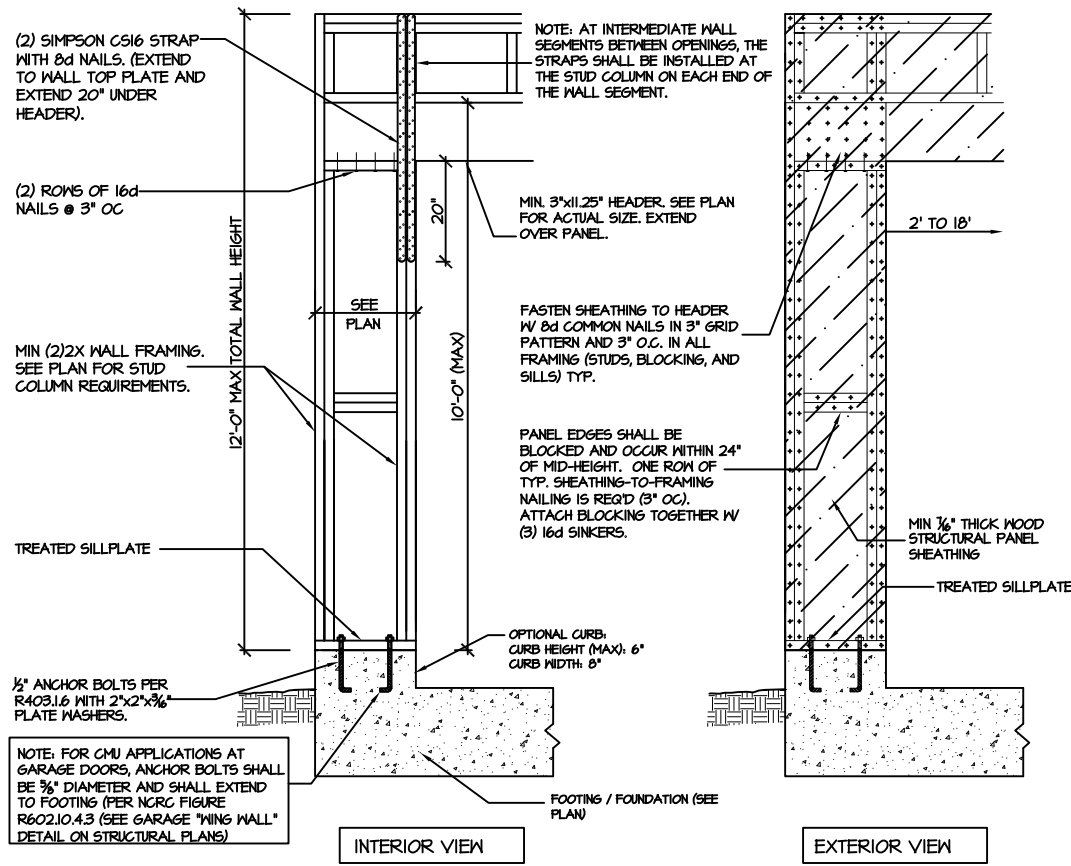
SMITHFIELD PLAN

SD

**STRUCTURAL NOTES**

NC (2018 NRC): Wind: 115-120 mph

- ENGINEER'S SEAL APPLIES ONLY TO STRUCTURAL COMPONENTS INCLUDING ROOF RAFTERS, HIPs, VALLEYS, RIDGES, FLOORS, WALLS, BEAMS AND HEADERS, COLUMNS, CANTILEVERS, OFFSET LOAD BEARING WALLS, PIER & GIRDER SYSTEM, FOOTING, AND PILING SYSTEM. ENGINEER'S SEAL DOES NOT CERTIFY DIMENSIONAL ACCURACY OR ARCHITECTURAL LAYOUT INCLUDING ROOF SYSTEM. ALL REQUIREMENTS FOR PROFESSIONAL CERTIFICATION SHALL BE PROVIDED BY THE APPROPRIATE PROFESSIONAL. SOUTHERN ENGINEERS, P.A. CERTIFIES ONLY THE STRUCTURAL COMPONENTS AS SPECIFICALLY STATED.
- ALL CONSTRUCTION SHALL CONFORM TO THE LATEST REQUIREMENTS OF THE 2018 NC RESIDENTIAL CODE, PLUS ALL LOCAL CODES AND REGULATIONS. THE STRUCTURAL ENGINEER IS NOT RESPONSIBLE FOR, AND WILL NOT HAVE CONTROL OF, CONSTRUCTION MEANS, METHODS, TECHNIQUES, SEQUENCES OR PROCEDURES, OR FOR SAFETY PRECAUTIONS AND PROGRAMS IN CONNECTION WITH THE CONSTRUCTION WORK, NOR WILL THE ENGINEER BE RESPONSIBLE FOR THE CONTRACTOR'S FAILURE TO CARRY OUT THE CONSTRUCTION WORK IN ACCORDANCE WITH THE CONTRACT DOCUMENTS. "CONSTRUCTION REVIEW" SERVICES ARE NOT PART OF OUR CONTRACT. ALL MEMBERS SHALL BE FRAMED ANCHORED, TIED AND BRACED IN ACCORDANCE WITH GOOD CONSTRUCTION PRACTICE AND THE BUILDING CODE.
- DESIGN LOADS (LISTED AS: LIVE LOAD, DEAD LOAD, DEFLECTION)
  - ROOMS OTHER THAN SLEEPING ROOMS: (40 PSF, 10 PSF, L/360)
  - SLEEPING ROOMS: (30 PSF, 10 PSF, L/360)
  - ATTIC WITH PERMANENT STAIR: (40 PSF, 10 PSF, L/360)
  - ATTIC WITHOUT PERMANENT STAIR: (20 PSF, 10 PSF, L/360)
  - ATTIC WITHOUT STORAGE: (10 PSF, 10 PSF, L/240)
  - STAIRS: (40 PSF, 10 PSF, L/360)
  - DECKS AND EXTERIOR BALCONIES: (40 PSF, 10 PSF, L/360)
  - PASSENGER VEHICLE GARAGES: (50 PSF, 10 PSF, L/360)
  - SNOW: (20 PSF)
- WALLS SHALL BE BRACED BY SHEATHING WALLS ON ALL STORIES WITH WOOD STRUCTURAL PANELS. SEE FRAMING NOTES FOR THICKNESS AND NAILING REQUIREMENTS.
- SEE APPENDIX M (DCA6) FOR EXTERIOR DECK REQUIREMENTS INCLUDING ATTACHMENTS FOR LATERAL LOADS.
- CONCRETE SHALL HAVE A MINIMUM 28 DAY STRENGTH OF 3000 PSI AND A MAXIMUM SLUMP OF 5 INCHES UNLESS NOTED OTHERWISE (INO). AIR ENTRAINED PER TABLE 402.2. ALL CONCRETE SHALL BE PROPORTIONED, MIXED, HANDLED, SAMPLED, TESTED, AND PLACED IN ACCORDANCE WITH ACI STANDARDS. ALL SAMPLES FOR PUMPING SHALL BE TAKEN FROM THE EXIT END OF THE PUMP. CONTROL JOINTS IN SLABS SHALL BE SPACED ON A GRID OF +30 TIMES THE DEPTH (D). CONTROL JOINTS SHALL BE SAWCUT TO A DEPTH OF 1/3 (I.E. 4" CONCRETE SLABS SHALL HAVE 1 1/2" DEEP CONTROL JOINTS SAWCUT IN SLAB ON A +10'-0" x +10'-0" GRID).
- ALLOWABLE SOIL BEARING PRESSURE ASSUMED TO BE 2000 PSF. THE CONTRACTOR MUST CONTACT A GEOTECHNICAL ENGINEER AND THE STRUCTURAL ENGINEER IF UNSATISFACTORY SUBSURFACE CONDITIONS ARE ENCOUNTERED. THE SURFACE AREA ADJACENT TO THE FOUNDATION WALL SHALL BE PROVIDED WITH ADEQUATE DRAINAGE, AND SHALL BE GRADED SO AS TO DRAIN SURFACE WATER AWAY FROM FOUNDATION WALLS.
- ALL FRAMING LUMBER SHALL BE SPF #2 (Fb = 875 PSI) UNLESS NOTED OTHERWISE (INO). ALL TREATED LUMBER SHALL BE SYP #2. PLATE MATERIAL MAY BE SYP #3 OR SYP #3 (Fc(perp) = 425 PSI - MIN).
  - L.V.L. SHALL BE LAMINATED VENEER LUMBER: Fb=2600 PSI, Fv=285 PSI, E=1.4x10<sup>6</sup> PSI.
  - P.S.L. SHALL BE PARALLEL STRAND LUMBER: Fb=2400 PSI, Fv=240 PSI, E=2.0x10<sup>6</sup> PSI.
  - L.S.L. SHALL BE LAMINATED STRAND LUMBER: Fb=2250 PSI, Fv=400 PSI, E=1.55x10<sup>6</sup> PSI.
 INSTALL ALL CONNECTIONS PER MANUFACTURERS INSTRUCTIONS.
- ALL ROOF TRUSS AND I-JOIST LAYOUTS SHALL BE PREPARED IN ACCORDANCE WITH THE SEALED STRUCTURAL DRAWINGS. TRUSSES AND I-JOISTS SHALL BE INSTALLED ACCORDING TO THE MANUFACTURER'S SPECIFICATIONS. ANY CHANGE IN TRUSS OR I-JOIST LAYOUT SHALL BE COORDINATED WITH SOUTHERN ENGINEERS.
- ALL STRUCTURAL STEEL SHALL BE ASTM A-36. STEEL BEAMS SHALL BE SUPPORTED AT EACH END WITH A MINIMUM BEARING LENGTH OF 3 1/2" INCHES AND FULL FLANGE WIDTH. PROVIDE SOLID BEARING FROM BEAM SUPPORT TO FOUNDATION. BEAMS SHALL BE ATTACHED TO EACH SUPPORT WITH TWO LAG SCREWS (1/2" DIAMETER x 4" LONG). LATERAL SUPPORT IS CONSIDERED ADEQUATE PROVIDING THE JOIST ARE TOE NAILED TO THE SOLE PLATE, AND SOLE PLATE IS NAILED OR BOLTED TO THE BEAM FLANGE @ 48" O.C. ALL STEEL TUBING SHALL BE ASTM A500.
- REBAR SHALL BE DEFORMED STEEL, ASTM#615, GRADE 60. LAP ALL REBAR SPLICES 30 BAR DIAMETERS.
- FLITCH BEAMS SHALL BE BOLTED TOGETHER USING (2) ROWS OF 1/2" DIAMETER BOLTS (ASTM A325) WITH WASHERS PLACED UNDER THE THREADED END OF BOLT. BOLTS SHALL BE SPACED AT 24" O.C. (MAX), AND STAGGERED AT THE TOP AND BOTTOM OF BEAM (2" EDGE DISTANCE), WITH 2 BOLTS LOCATED AT 6" FROM EACH END.
- BRICK LINTELS (WHEN REQUIRED) SHALL BE 3 1/2"x3 1/2"x1/4" STEEL ANGLE FOR UP TO 6'-0" SPAN AND 6"x4"x5/16" STEEL ANGLE WITH 6" LEG VERTICAL FOR SPANS UP TO 4'-0". SEE PLANS FOR SPANS OVER 4'-0". SEE ALSO SECTION R109.B.3 LINTELS.
- METAL CONNECTORS REFERENCED ON PLANS CORRESPOND TO SIMPSON STRONG-TIE BRAND. CONNECTORS OF EQUAL OR BETTER CAPACITY ARE ACCEPTABLE. CORROSION RESISTANCE PER CODE AND AS RECOMMENDED BY MANUFACTURER.



CS-PF - OVER WOOD FLOOR

905 SD CS-PF: CONTINUOUS PORTAL FRAME CONSTRUCTION  
DETAIL AND APPLICATION BASED ON NRC FIGURE R602.10.1 - PORTAL FRAME CONSTRUCTION

906 SD CS-PF: END CONDITION DETAIL  
(FOR USE WITH SINGLE CS-PF CONDITION)  
DETAIL AND APPLICATION BASED ON NRC FIGURE R602.10.1 - PORTAL FRAME CONSTRUCTION