

| REVISION LOG | |
|--------------|----------------|
| REVISION:001 | DATE: 10-13-23 |

1. HANOVER FIRST FLOOR WALK-THROUGH CHANGES.

Redlines completed 1-Jul-24 - DP

Lot 139 - Duncan's Creek

58 Plainfield Lane
Lillington, NC 27546

The Guilford French Country - LH



| ARCHITECTURAL DRAWINGS | |
|------------------------|--|
| Sheet No. | Sheet Description |
| 0.0 | Cover Sheet |
| 1.0 | Foundation (Slab) |
| 1.0.1 | Foundation (Crawl) |
| 2.0 | First Floor Plan |
| 2.1 | First Floor Plan Options |
| 2.2 | Second Floor Plan |
| 2.3 | Alternate Second Floor Plan |
| 3.0 | Front & Rear Elevations (Slab) |
| 3.0.1 | Front & Rear Elevations (Crawl) |
| 3.1 | Side Elevations (Slab) |
| 3.1.1 | Side Elevations (Crawl) |
| 3.2 | Elevation Options (Slab) |
| 3.2.1 | Elevation Options (Crawl) |
| 3.3 | Elevation Options (Slab) |
| 3.3.1 | Elevation Options (Crawl) |
| 3.4 | Elevations For Optional Second Floor (Crawl) |
| 3.4.1 | Elevations For Optional Second Floor (Slab) |
| 4.0 | Roof Plan |
| 4.0.1 | Roof Plan for Optional Second Floor |
| 5.0 | First Floor Electrical |
| 5.1 | First Floor Options Electrical |



Total Heated: 2523
Total Unheated: 675

| SQUARE FOOTAGE | | |
|-------------------------|----------------------------|-------------|
| | 'FRENCH COUNTRY' ELEVATION | |
| | UNHEATED | HEATED |
| FIRST FLOOR | 0 | 1519 |
| SECOND FLOOR | 0 | 860 |
| FRONT PORCH | 27 | 0 |
| EQUIPMENT ROOM | 61 | 0 |
| REAR PATIO/DECK | 144 | 0 |
| 2 CAR GARAGE | 394 | 0 |
| SUBTOTALS | 626 | 2379 |
| TOTAL UNDER ROOF | 3005 | |

| OPTIONS | | |
|---|-----------------|-----------------|
| | UNHEATED S.F. | HEATED S.F. |
| FIREPLACE BUMP OUT | 0 | +11 |
| OPTIONAL CAFE/OFFICE | 0 | +144 |
| SECOND FLOOR B | 0 | +21 |
| ALTERNATE SECOND FLOOR A | 0 | +215 |
| ALTERNATE SECOND FLOOR B | 0 | +200 |
| OPT. 2ND FL OPTIONAL POCKET OFFICE | 70 | +70 |
| EQUIPMENT ROOM | +114 | 0 |
| OPTIONAL REAR PATIO/DECK | 193 | 0 |

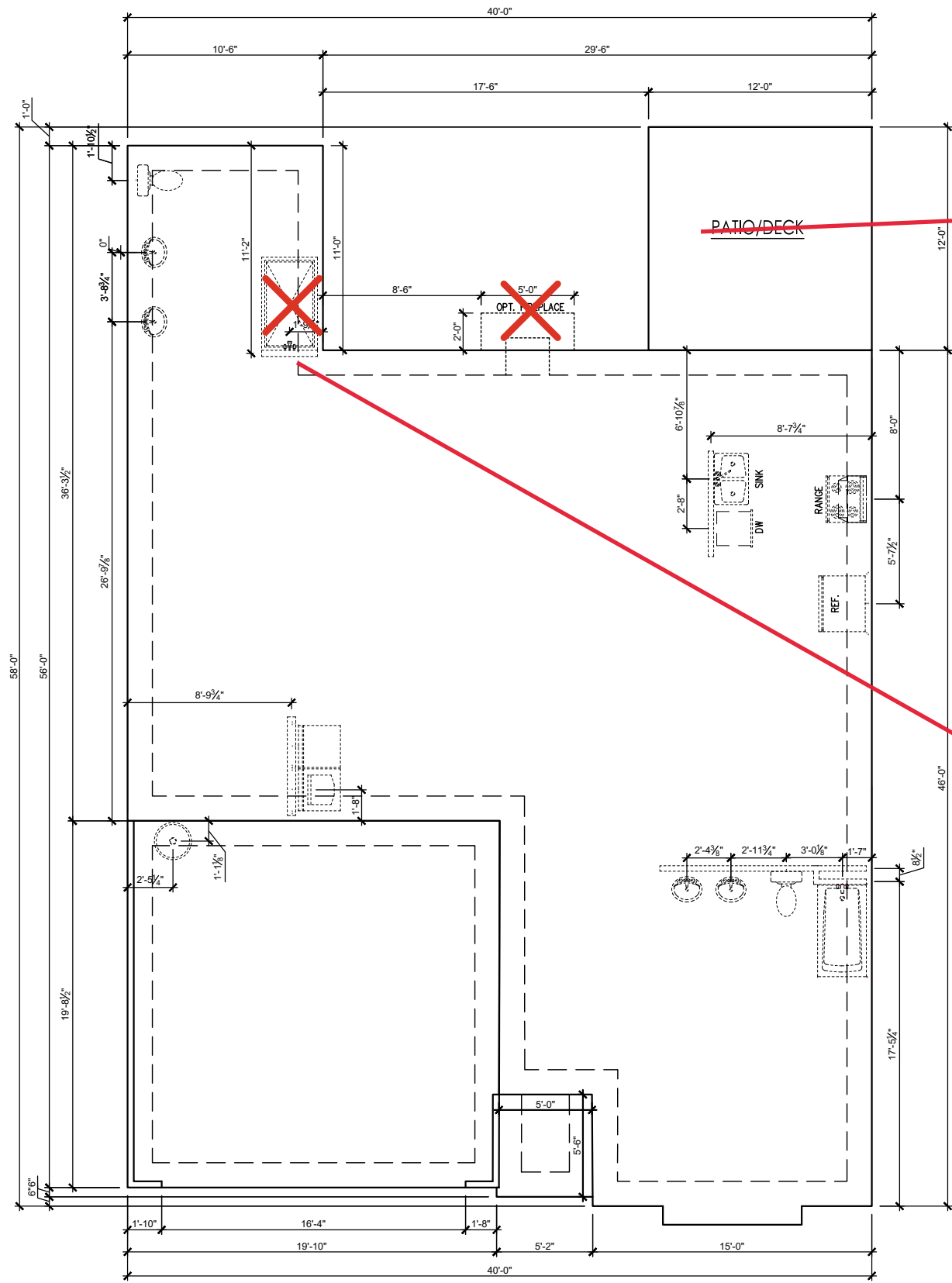
DESIGN CRITERIA:

THIS PLAN IS TO BE BUILT IN CONFORMANCE WITH THE 2018 NORTH CAROLINA STATE BUILDING CODE: RESIDENTIAL CODE
DIMENSIONS SHALL GOVERN OVER SCALE, AND CODE SHALL GOVERN OVER DIMENSIONS.

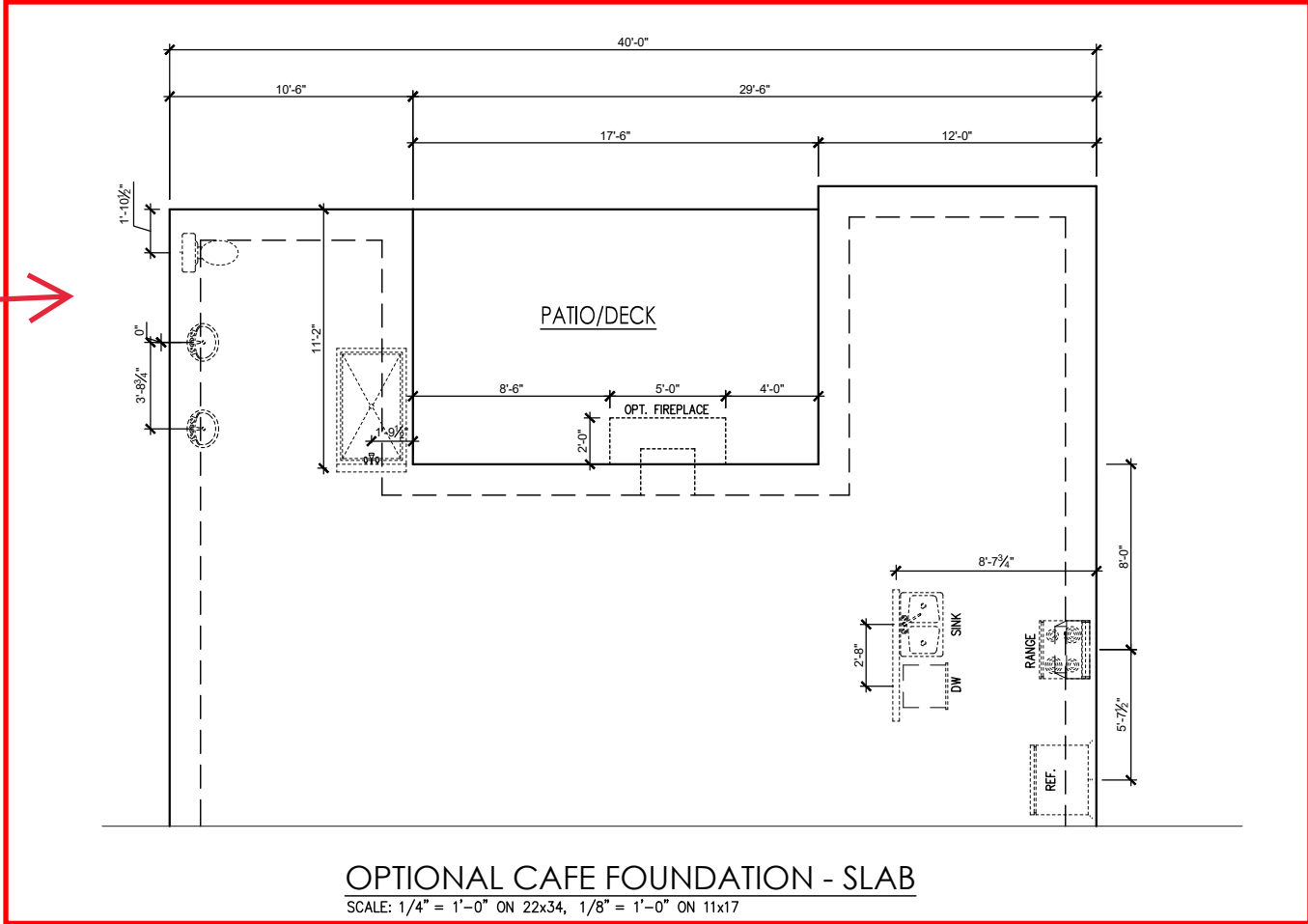
| REV.# | DESCRIPTION | DATE |
|-------|-------------|------|
| 1 | | |
| 2 | | |
| 3 | | |
| 4 | | |
| 5 | | |
| 6 | | |
| 7 | | |
| 8 | | |

THE GUILFORD - LH
Cover - French Country

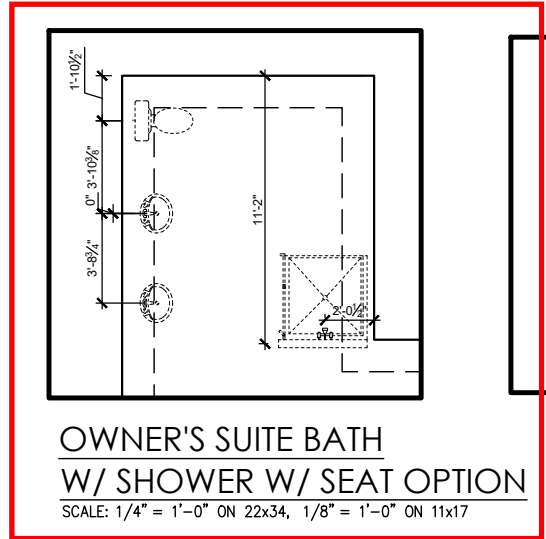
| |
|---|
| DRAWN BY: New Home Inc. - Jennifer Jones |
| ISSUE DATE: 08-10-2023 |
| CURRENT REVISION DATE: |
| SCALE: 1/8" = 1'-0" |
| SHEET 0.0 |



FOUNDATION- SLAB
SCALE: 1/4" = 1'-0" ON 22x34, 1/8" = 1'-0" ON 11x17



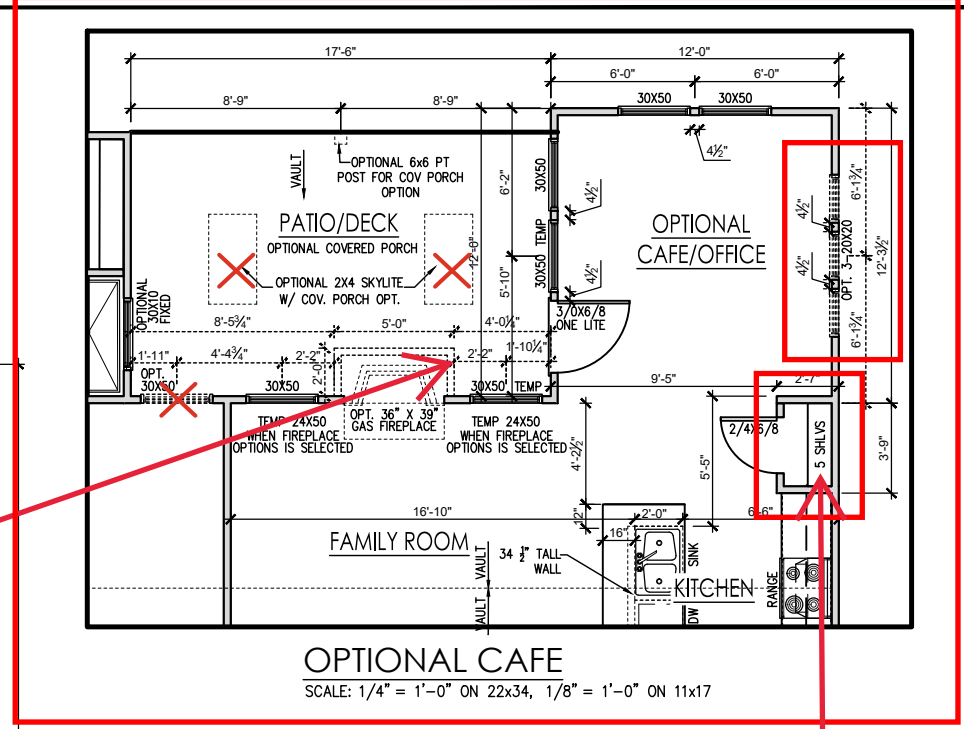
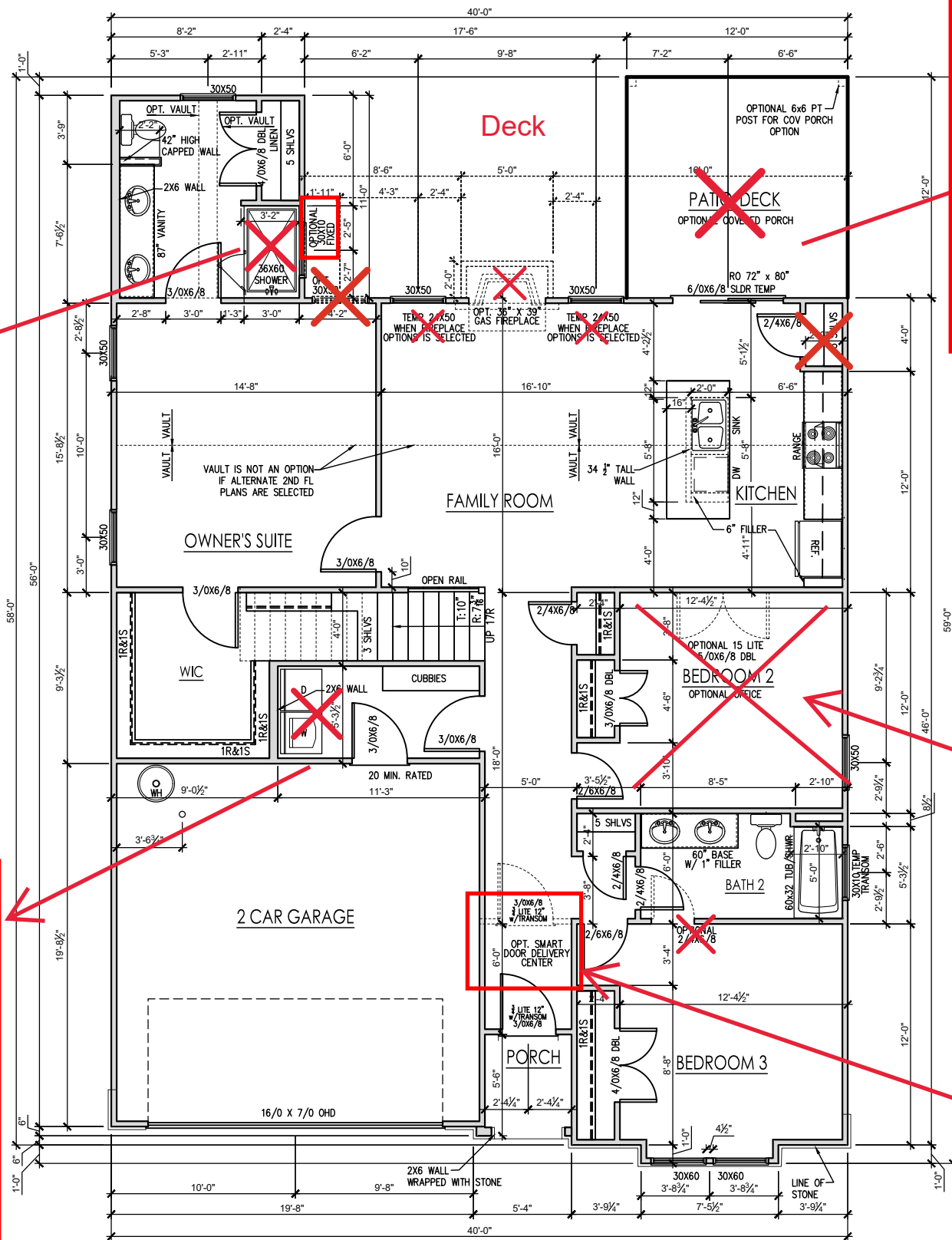
OPTIONAL CAFE FOUNDATION - SLAB
SCALE: 1/4" = 1'-0" ON 22x34, 1/8" = 1'-0" ON 11x17



| REV. # | DESCRIPTION | DATE |
|--------|-------------|------|
| 1 | | |
| 2 | | |
| 3 | | |
| 4 | | |
| 5 | | |
| 6 | | |
| 7 | | |
| 8 | | |

THE GUILFORD - LH
Foundation - French Country (Slab)

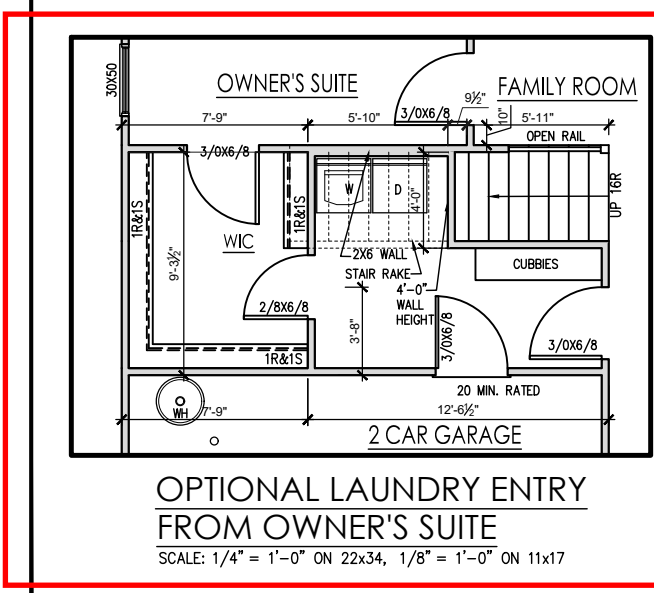
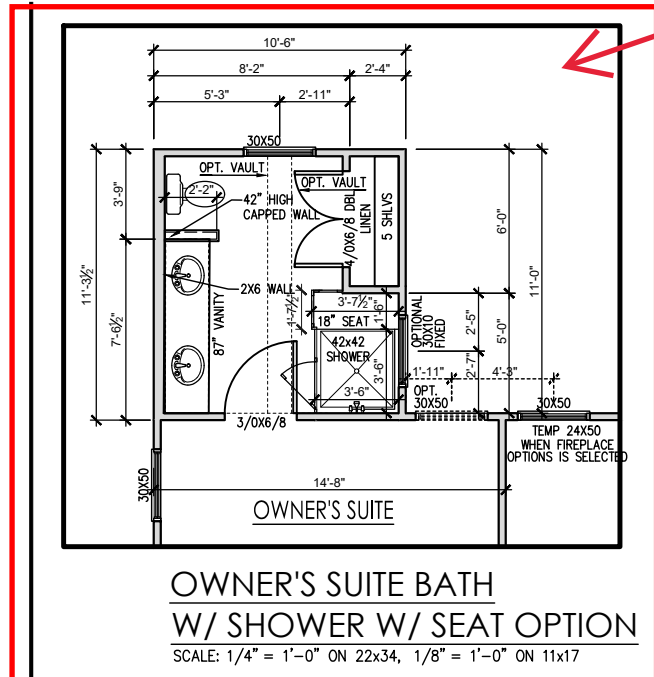
| |
|---|
| DRAWN BY: New Home Inc. - Jennifer Jones |
| ISSUE DATE: 08-10-2023 |
| CURRENT REVISION DATE: |
| SCALE: 1/8" = 1'-0" |
| SHEET 1.0 |



Remove Pantry, keep structural wall between Cafe and Cabinets. Extend Cabinets to Wall.

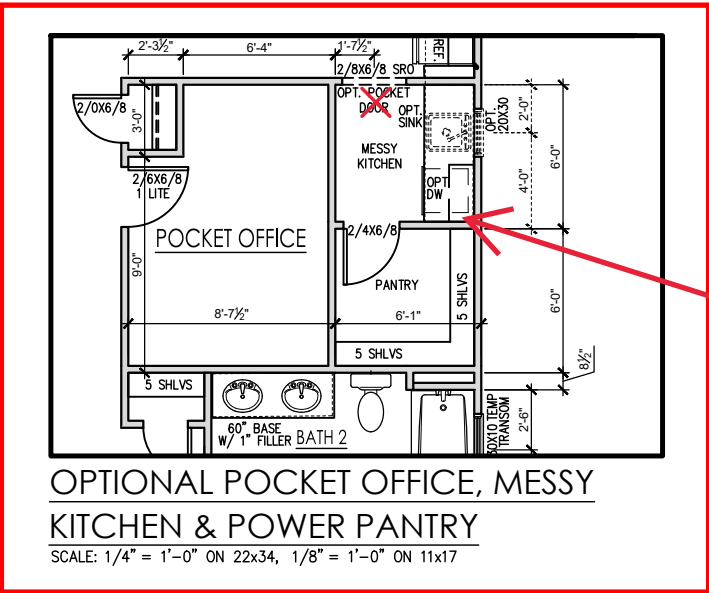
See Page 2.1 for Pocket Office and Messy Kitchen

Smart Delivery Room



- GENERAL FLOOR PLAN NOTES**
- GENERAL FLOOR PLAN NOTES SHALL APPLY UNLESS NOTED OTHERWISE ON PLAN.
1. WALL HEIGHTS: TYPICALLY 9'-1 1/2" AT FIRST FLOOR AND SECOND FLOOR, AND 9'-1 1/2" AT ATTICS U.N.O. ALL WALLS ARE CONSTRUCTED USING A DOUBLE TOP PLATE. SPLICES AT DOUBLE TOP PLATE DO NOT NEED TO OCCUR AT VERTICAL STUDS BUT MUST BE AT LEAST 24" APART FROM JOINT IN OTHER TOP PLATE LAYER. SPECIAL WALL HEIGHTS ARE NOTED ON PLANS WHERE THEY OCCUR.
 2. WALL THICKNESS IS TYPICALLY 3 1/2". 2X6 FRAME SHALL BE USED AT WALLS THAT BACK UP TO PLUMBING FIXTURES. WALLS GREATER THAN 10' HIGH SHALL BE FRAMED WITH 2X6 FRAMING OR GREATER AND WILL BE NOTED AS A SPECIAL CONDITION WHERE IT OCCURS ON PLAN.
 3. TYPICAL HEADER HEIGHT SHALL BE 7'-8" AFF AT FIRST FLOOR, AND 7'-4" AFF AT SECOND FLOOR U.N.O.
 4. JACKS: OPENINGS UP TO 3'-4" WIDE SHALL HAVE (1) 2X4 JACK STUD SPF ON EACH SIDE, OPENINGS GREATER THAN 3'-4" WIDE SHALL HAVE (2) 2X4 JACK STUDS SPF ON EACH SIDE.
 5. SOFFITS, COFFERED CEILINGS, TREY CEILINGS AND OTHER SIGNIFICANT CEILING PLAN ELEMENTS ARE SHOWN ON THE FLOOR PLANS AND ARE DENOTED AS SINGLE DASHED LINES. UNLESS SPECIFICALLY CALL OUT AS INCLUDED, KITCHENS DO NOT INCLUDE SOFFITS OVER WALL CABINERY.
 6. DOOR AND WINDOW FRAMES, WHERE OCCURRING NEAR CORNERS, SHALL BE A MINIMUM OF 4 1/2" FROM CORNER, EXCEPT FOR WALK-IN CLOSETS WITH DOORS NEAR A CORNER, DOORS AT CLOSETS SHALL BE CENTERED ON CLOSET.
 7. WINDOWS: SHALL HAVE AT LEAST (1) WINDOW IN EACH SLEEPING ROOM THAT MEETS EGRESS. SHALL BE PROVIDED WITH TEMPERED GLASS AT HAZARDOUS GLAZING AREAS. FALSE WINDOWS SHALL BE INSTALLED WITH OBSCURE GLAZING.
 8. CLOSETS FOR CLOTHING OR COAT STORAGE SHALL BE EQUIPPED WITH 1 ROD/SHELF. CLOSETS FOR LINEN SHALL HAVE 4 OPEN EQUAL SHELVES. CLOSETS FOR PANTRIES SHALL HAVE 4 EQUAL WOOD SHELVES, PAINTED.
 9. STAIR TREADS SHALL BE A MIN OF 9" DEEP, RISERS SHALL BE A MAXIMUM OF 8 1/4", UNLESS NOTED OTHERWISE, PER THE CURRENT NORTH CAROLINA RESIDENTIAL CODE.
 10. HANDRAILS AND GUARDS AT STAIRS SHALL BE 34" ABOVE THE FINISHED SURFACE OF THE RAMP SURFACE OF THE STAIR. HANDRAILS AT LANDINGS AND OVERLOOKS OF MULTILEVEL SPACES SHALL BE 36" ABOVE FINISHED FLOOR. GUARDS (PICKETS OR BALUSTERS) SHALL BE SPACED WITH NO MORE THAN 4" BETWEEN GUARDS.
 11. ATTIC ACCESS SHALL BE PROVIDED AT ALL ATTIC AREA WITH A HEIGHT GREATER THAN 30". MINIMUM CLEAR ATTIC ACCESS SHALL BE 20" X 30". PULL DOWN STAIRS AND ACCESS DOORS IN KNEE WALLS MEETING MINIMUM CRITERIA ARE ALSO ACCEPTABLE.
 12. GARAGE DOOR TO LIVING SPACE SHALL BE 2'-8" X 6'-8" MINIMUM SIZE AND SHALL BE 20 MINUTE FIRE RATED AND WEATHER SEALED.
 13. GARAGE WALLS, AS A MINIMUM, SHALL BE SEPARATED FROM LIVING SPACE BY INSTALLING 1/2" GYPSUM BOARD ON THE GARAGE SIDE OF THE WALL, WITH HABITABLE SPACE ABOVE. THE INSIDE OF ALL GARAGE WALLS REQUIRE 1/2" GWB SUPPORTING 5/8" TYPE "X" GWB ON CEILING.

FIRST FLOOR PLAN - FRENCH COUNTRY
SCALE: 1/4" = 1'-0" ON 22x34, 1/8" = 1'-0" ON 11x17



Messy Kitchen Options:
Sink and Window

| REV.# | DESCRIPTION | DATE |
|-------|-------------|------|
| 1 | | |
| 2 | | |
| 3 | | |
| 4 | | |
| 5 | | |
| 6 | | |
| 7 | | |
| 8 | | |

GENERAL FLOOR PLAN NOTES

GENERAL FLOOR PLAN NOTES SHALL APPLY UNLESS NOTED OTHERWISE ON PLAN.

- WALL HEIGHTS: TYPICALLY 9'-1 1/2" AT FIRST FLOOR AND SECOND FLOOR, AND 9'-1 1/2" AT ATTICS U.N.O. ALL WALLS ARE CONSTRUCTED USING A DOUBLE TOP PLATE. SPLICES AT DOUBLE TOP PLATE DO NOT NEED TO OCCUR AT VERTICAL STUDS BUT MUST BE AT LEAST 24" APART FROM JOINT IN OTHER TOP PLATE LAYER. SPECIAL WALL HEIGHTS ARE NOTED ON PLANS WHERE THEY OCCUR.
- WALL THICKNESS IS TYPICALLY 3 1/2". 2X6 FRAME SHALL BE USED AT WALLS THAT BACK UP TO PLUMBING FIXTURES. WALLS GREATER THAN 10' HIGH SHALL BE FRAMED WITH 2X6 FRAMING OR GREATER AND WILL BE NOTED AS A SPECIAL CONDITION WHERE IT OCCURS ON PLAN.
- TYPICAL HEADER HEIGHT SHALL BE 7'-8" AFF AT FIRST FLOOR, AND 7'-4" AFF AT SECOND FLOOR U.N.O.
- JACKS: OPENINGS UP TO 3'-4" WIDE SHALL HAVE (1) 2X4 JACK STUD SPF ON EACH SIDE. OPENINGS GREATER THAN 3'-4" WIDE SHALL HAVE (2) 2X4 JACK STUDS SPF ON EACH SIDE.
- SOFFITS, COFFERED CEILINGS, TREY CEILINGS AND OTHER SIGNIFICANT CEILING PLAN ELEMENTS ARE SHOWN ON THE FLOOR PLANS AND ARE DENOTED AS SINGLE DASHED LINES. UNLESS SPECIFICALLY CALL OUT AS INCLUDED, KITCHENS DO NOT INCLUDE SOFFITS OVER WALL CABINETRY.
- DOOR AND WINDOW FRAMES, WHERE OCCURRING NEAR CORNERS, SHALL BE A MINIMUM OF 4 1/2" FROM CORNER. EXCEPT FOR WALK-IN CLOSETS WITH DOORS NEAR A CORNER, DOORS AT CLOSETS SHALL BE CENTERED ON CLOSET.
- WINDOWS: SHALL HAVE AT LEAST (1) WINDOW IN EACH SLEEPING ROOM, THAT MEETS EGRESS. SHALL BE PROVIDED WITH TEMPERED GLASS AT HAZARDOUS GLAZING AREAS. FALSE WINDOWS SHALL BE INSTALLED WITH OBSCURE GLAZING.
- CLOSETS FOR CLOTHING OR COAT STORAGE SHALL BE EQUIPPED WITH 1 ROD/SHELF. CLOSETS FOR LINEN SHALL HAVE 4 OPEN EQUAL SHELVES. CLOSETS FOR PANTRIES SHALL HAVE 4 EQUAL WOOD SHELVES, PAINTED.
- STAIR TREADS SHALL BE A MIN OF 9" DEEP, RISERS SHALL BE A MAXIMUM OF 8 1/4", UNLESS NOTED OTHERWISE, PER THE CURRENT NORTH CAROLINA RESIDENTIAL CODE
- HANDRAILS AND GUARDS AT STAIRS SHALL BE 34" ABOVE THE FINISHED SURFACE OF THE RAMP SURFACE OF THE STAIR. HANDRAILS AT LANDINGS AND OVERLOOKS OF MULTILEVEL SPACES SHALL BE 36" ABOVE FINISHED FLOOR. GUARDS (PICKETS OR BALUSTERS) SHALL BE SPACED WITH NO MORE THAN 4" BETWEEN GUARDS.
- ATTIC ACCESS SHALL BE PROVIDED AT ALL ATTIC AREA WITH A HEIGHT GREATER THAN 30". MINIMUM CLEAR ATTIC ACCESS SHALL BE 20" X 30". PULL DOWN STAIRS AND ACCESS DOORS IN KNEE WALLS MEETING MINIMUM CRITERIA ARE ALSO ACCEPTABLE.
- GARAGE DOOR TO LIVING SPACE SHALL BE 2'-8" X 6'-8" MINIMUM SIZE AND SHALL BE 20 MINUTE FIRE RATED AND WEATHER SEALED.
- GARAGE WALLS, AS A MINIMUM, SHALL BE SEPARATED FROM LIVING SPACE BY INSTALLING 1/2" GYPSUM BOARD ON THE GARAGE SIDE OF THE WALL. WITH HABITABLE SPACE ABOVE, THE INSIDE OF ALL GARAGE WALLS REQUIRE 1/2" GWB SUPPORTING 5/8" TYPE "X" GWB ON CEILING.

THE GUILFORD - LH

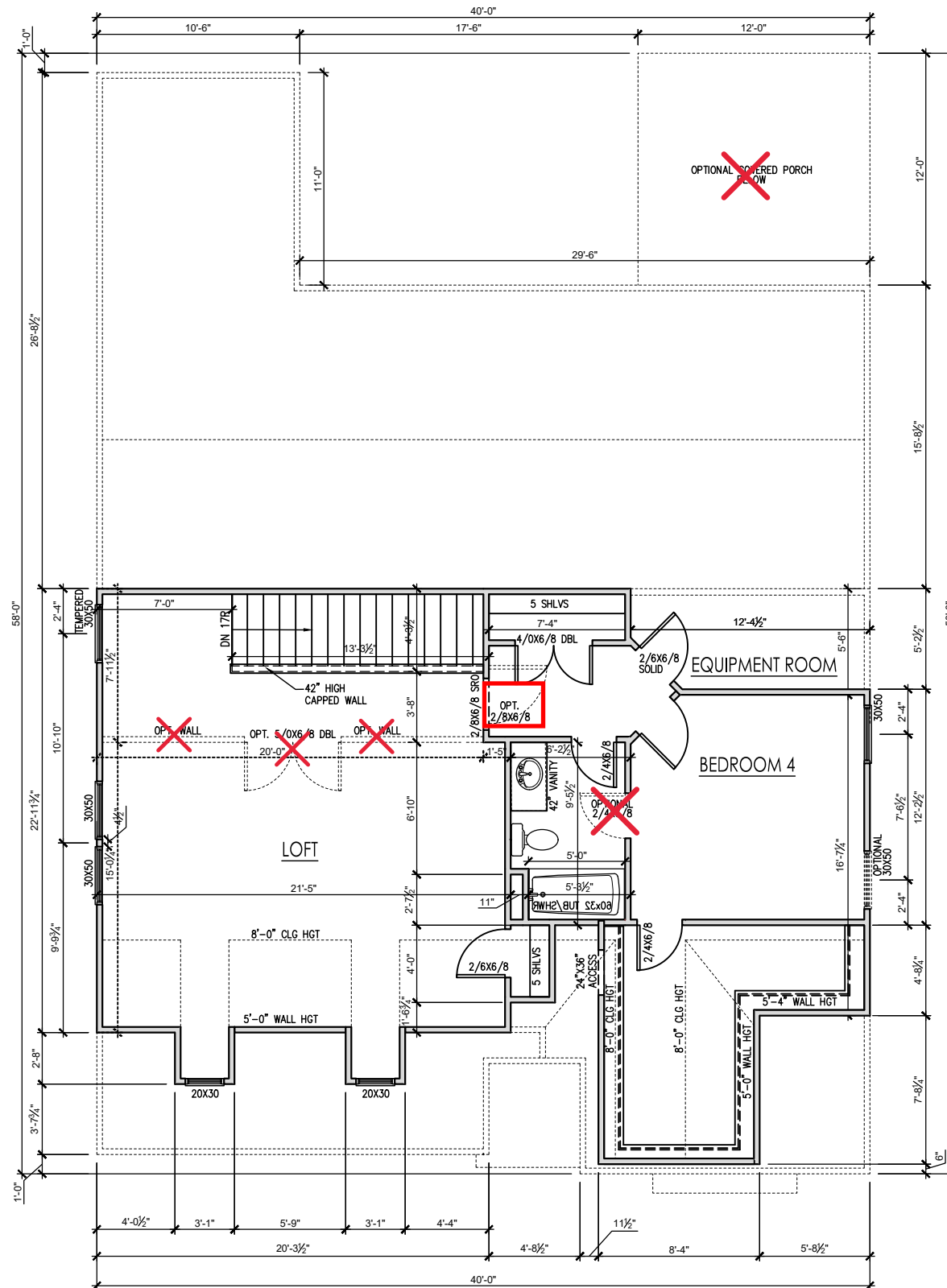
First Floor Options

| |
|---|
| DRAWN BY: New Home Inc. - Jennifer Jones |
| ISSUE DATE: 08-10-2023 |
| CURRENT REVISION DATE: |
| SCALE: 1/8" = 1'-0" |
| SHEET 2.1 |

GENERAL FLOOR PLAN NOTES

GENERAL FLOOR PLAN NOTES SHALL APPLY UNLESS NOTED OTHERWISE ON PLAN.

1. WALL HEIGHTS: TYPICALLY 9'-1 1/2" AT FIRST FLOOR AND SECOND FLOOR, AND 9'-1 1/2" AT ATTICS U.N.O. ALL WALLS ARE CONSTRUCTED USING A DOUBLE TOP PLATE. SPLICES AT DOUBLE TOP PLATE DO NOT NEED TO OCCUR AT VERTICAL STUDS BUT MUST BE AT LEAST 24" APART FROM JOINT IN OTHER TOP PLATE LAYER. SPECIAL WALL HEIGHTS ARE NOTED ON PLANS WHERE THEY OCCUR.
2. WALL THICKNESS IS TYPICALLY 3 1/2". 2X6 FRAME SHALL BE USED AT WALLS THAT BACK UP TO PLUMBING FIXTURES. WALLS GREATER THAN 10' HIGH SHALL BE FRAMED WITH 2X6 FRAMING OR GREATER AND WILL BE NOTED AS A SPECIAL CONDITION WHERE IT OCCURS ON PLAN.
3. TYPICAL HEADER HEIGHT SHALL BE 7'-8" AFF AT FIRST FLOOR, AND 7'-4" AFF AT SECOND FLOOR U.N.O.
4. JACKS: OPENINGS UP TO 3'-4" WIDE SHALL HAVE (1) 2X4 JACK STUD SPFF ON EACH SIDE. OPENINGS GREATER THAN 3'-4" WIDE SHALL HAVE (2) 2X4 JACK STUDS SPFF ON EACH SIDE.
5. SOFFITS, COFFERED CEILINGS, TREY CEILINGS AND OTHER SIGNIFICANT CEILING PLAN ELEMENTS ARE SHOWN ON THE FLOOR PLANS AND ARE DENOTED AS SINGLE DASHED LINES. UNLESS SPECIFICALLY CALL OUT AS INCLUDED, KITCHENS DO NOT INCLUDE SOFFITS OVER WALL CABINETS.
6. DOOR AND WINDOW FRAMES, WHERE OCCURRING NEAR CORNERS, SHALL BE A MINIMUM OF 4 1/2" FROM CORNER. EXCEPT FOR WALK-IN CLOSETS WITH DOORS NEAR A CORNER, DOORS AT CLOSETS SHALL BE CENTERED ON CLOSET.
7. WINDOWS: SHALL HAVE AT LEAST (1) WINDOW IN EACH SLEEPING ROOM, THAT MEETS EGRESS. SHALL BE PROVIDED WITH TEMPERED GLASS AT HAZARDOUS GLAZING AREAS. FALSE WINDOWS SHALL BE INSTALLED WITH OBSCURE GLAZING.
8. CLOSETS FOR CLOTHING OR COAT STORAGE SHALL BE EQUIPPED WITH 1 ROD/SHELF. CLOSETS FOR LINEN SHALL HAVE 4 OPEN EQUAL SHELVES. CLOSETS FOR PANTRIES SHALL HAVE 4 EQUAL WOOD SHELVES, PAINTED.
9. STAIR TREADS SHALL BE A MIN OF 9" DEEP. RISERS SHALL BE A MAXIMUM OF 8 1/4" UNLESS NOTED OTHERWISE, PER THE CURRENT NORTH CAROLINA RESIDENTIAL CODE.
10. HANDRAILS AND GUARDS AT STAIRS SHALL BE 34" ABOVE THE FINISHED SURFACE OF THE RAMP SURFACE OF THE STAIR. HANDRAILS AT LANDINGS AND OVERLOOKS OF MULTILEVEL SPACES SHALL BE 36" ABOVE FINISHED FLOOR. GUARDS (PICKETS OR BALUSTERS) SHALL BE SPACED WITH NO MORE THAN 4" BETWEEN GUARDS.
11. ATTIC ACCESS SHALL BE PROVIDED AT ALL ATTIC AREA WITH A HEIGHT GREATER THAN 30". MINIMUM CLEAR ATTIC ACCESS SHALL BE 20' X 30". PULL DOWN STAIRS AND ACCESS DOORS IN KNEE WALLS MEETING MINIMUM CRITERIA ARE ALSO ACCEPTABLE.
12. GARAGE DOOR TO LIVING SPACE SHALL BE 2'-8" X 6'-8" MINIMUM SIZE AND SHALL BE 20 MINUTE FIRE RATED AND WEATHER SEALED.
13. GARAGE WALLS, AS A MINIMUM, SHALL BE SEPARATED FROM LIVING SPACE BY INSTALLING 1/2" GYPSUM BOARD ON THE GARAGE SIDE OF THE WALL. WITH HABITABLE SPACE ABOVE. THE INSIDE OF ALL GARAGE WALLS REQUIRE 1/2" GWS SUPPORTING 5/8" TYPE "X" GWS ON CEILING.



SECOND FLOOR PLAN - FRENCH COUNTRY A

SCALE: 1/4" = 1'-0" ON 22x34, 1/8" = 1'-0" ON 11x17

| REV. # | DESCRIPTION | DATE |
|--------|-------------|------|
| 1 | | |
| 2 | | |
| 3 | | |
| 4 | | |
| 5 | | |
| 6 | | |
| 7 | | |
| 8 | | |

THE GUILFORD - LH
Second Floor - French Country

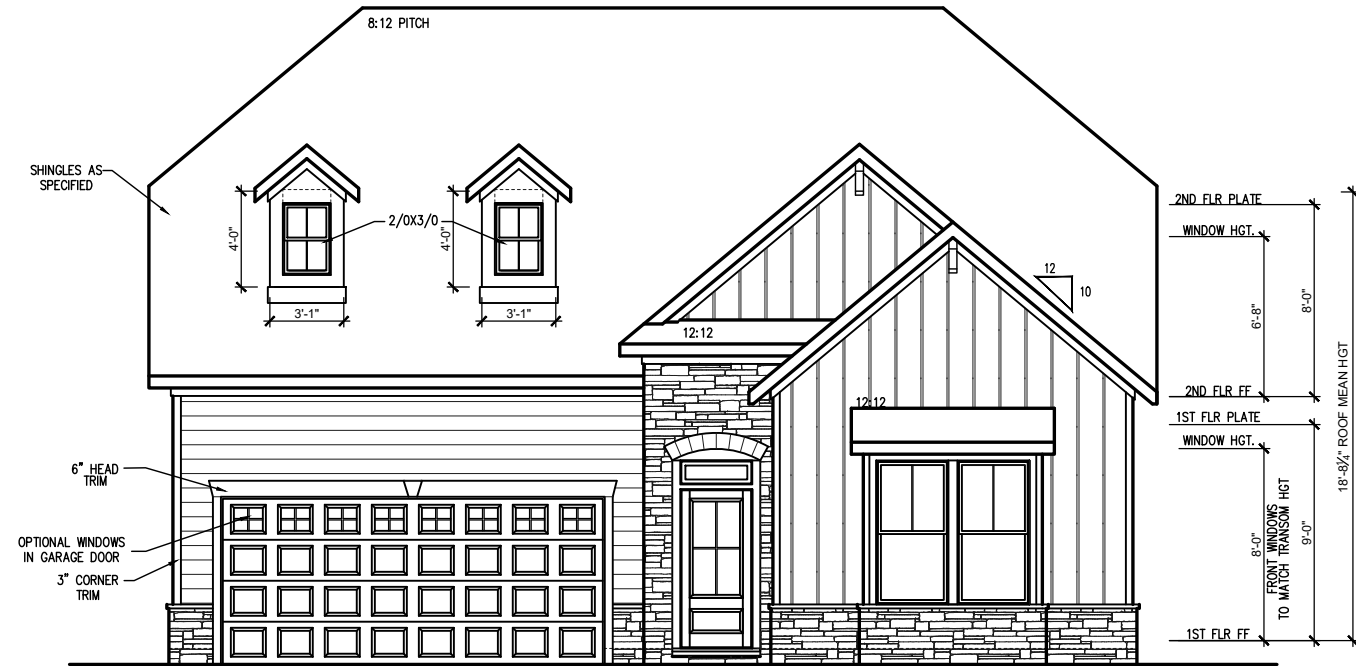
DRAWN BY:
New Home Inc. - Jennifer Jones

ISSUE DATE:
08-10-2023

CURRENT REVISION DATE:

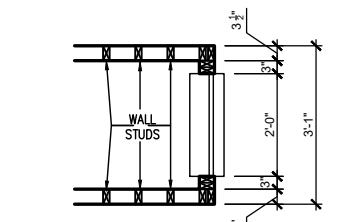
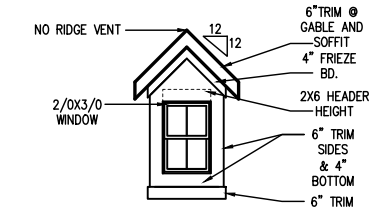
SCALE:
1/8" = 1'-0"

SHEET
2.2

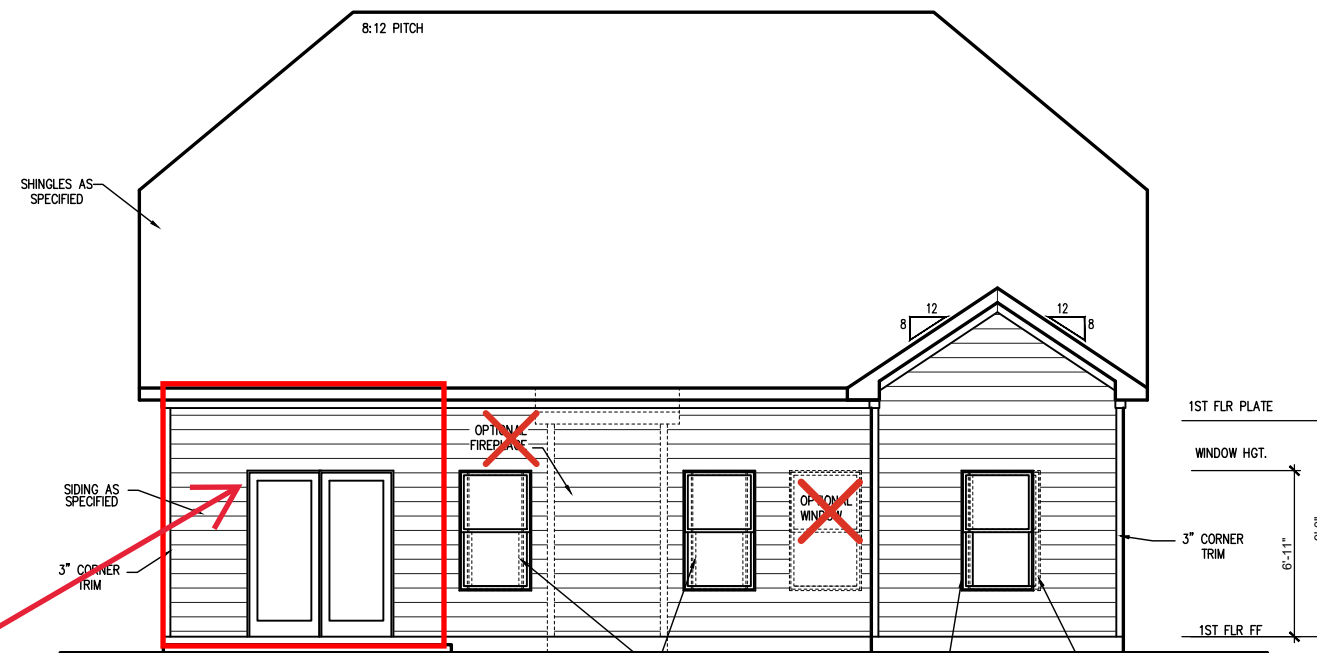


FRONT ELEVATION FRENCH COUNTRY A (SLAB)

SCALE: 1/4" = 1'-0" ON 22x34, 1/8" = 1'-0" ON 11x17



DETAIL DORMER WINDOW



REAR ELEVATION (SLAB)

SCALE: 1/4" = 1'-0" ON 22x34, 1/8" = 1'-0" ON 11x17

Extended Cafe

| REV.# | DESCRIPTION | DATE |
|-------|-------------|------|
| 1 | | |
| 2 | | |
| 3 | | |
| 4 | | |
| 5 | | |
| 6 | | |
| 7 | | |
| 8 | | |

THE GUILFORD - LH
Elevations - French Country A (Slab)

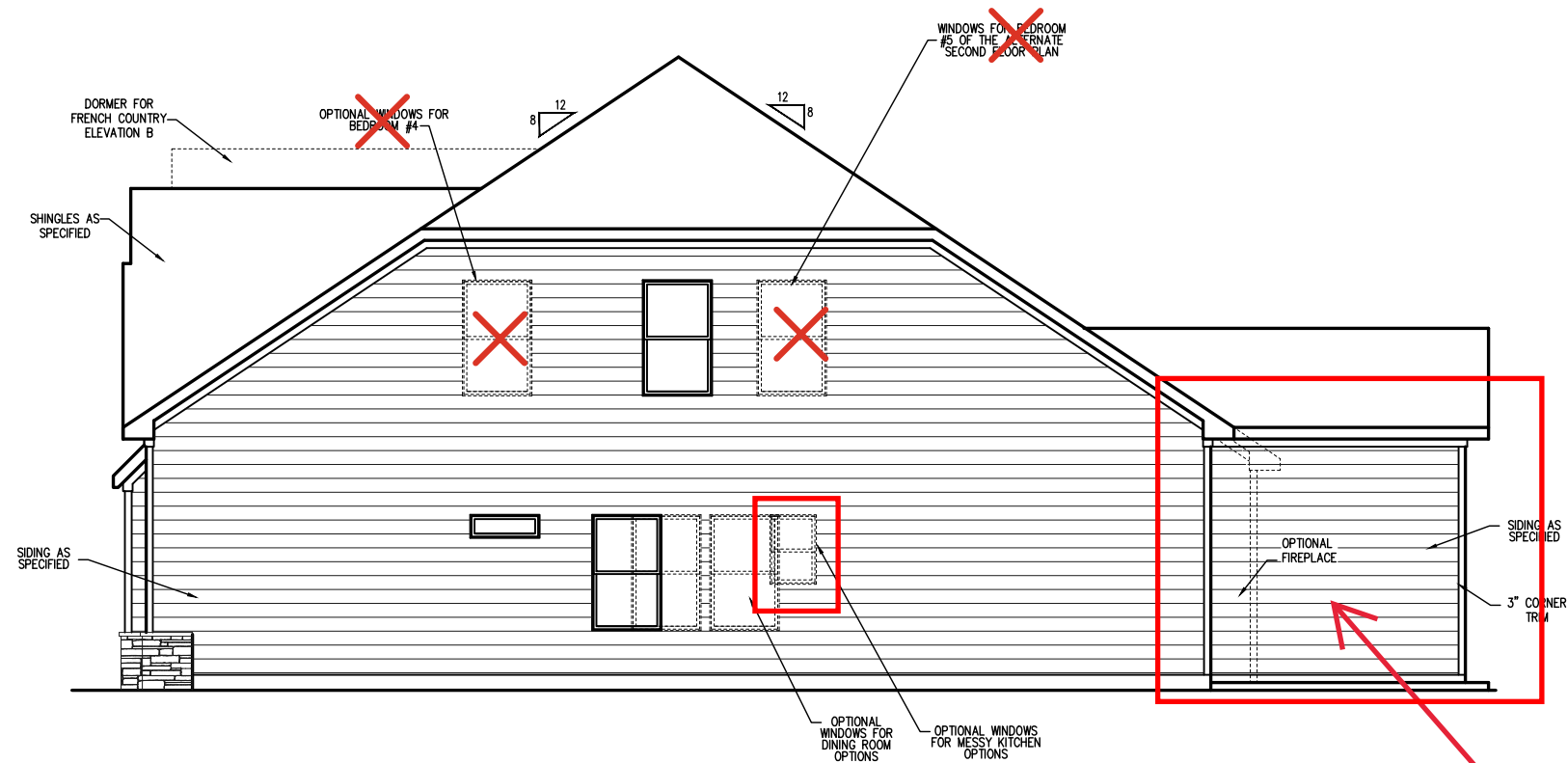
DRAWN BY:
New Home Inc. - Jennifer Jones

ISSUE DATE:
08-10-2023

CURRENT REVISION DATE:

SCALE:
1/8" = 1'-0"

SHEET
3.0



RIGHT ELEVATION FRENCH COUNTRY (SLAB)

SCALE: 1/4" = 1'-0" ON 22x34, 1/8" = 1'-0" ON 11x17



LEFT ELEVATION FRENCH COUNTRY A (SLAB)

SCALE: 1/4" = 1'-0" ON 22x34, 1/8" = 1'-0" ON 11x17

See Page 3.2.1 for Extended Cafe Option

| REV.# | DESCRIPTION | DATE |
|-------|-------------|------|
| 1 | | |
| 2 | | |
| 3 | | |
| 4 | | |
| 5 | | |
| 6 | | |
| 7 | | |
| 8 | | |

THE GUILFORD - LH
Side Elevations - French Country (Slab)

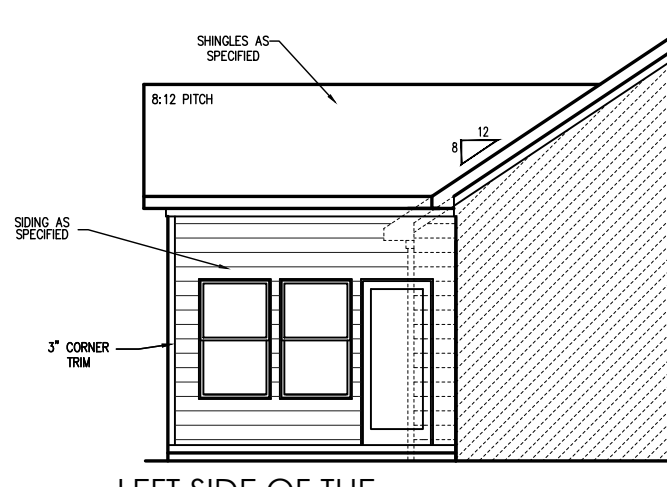
DRAWN BY:
New Home Inc. - Jennifer Jones
ISSUE DATE:
08-10-2023
CURRENT REVISION DATE:

SCALE:
1/8" = 1'-0"
SHEET
3.1



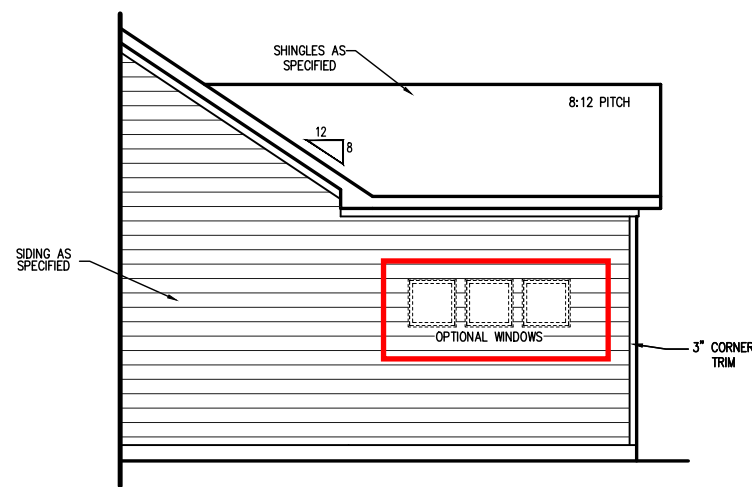
OPTIONAL CAFE/ OFFICE REAR ELEVATION (SLAB)

SCALE: 1/4" = 1'-0" ON 22x34, 1/8" = 1'-0" ON 11x17



**LEFT SIDE OF THE
OPTIONAL CAFE/ OFFICE (SLAB)**

SCALE: 1/4" = 1'-0" ON 22x34, 1/8" = 1'-0" ON 11x17



OPT. CAFE/ OFFICE RIGHT ELEVATION (SLAB)

SCALE: 1/4" = 1'-0" ON 22x34, 1/8" = 1'-0" ON 11x17

| REV.# | DESCRIPTION | DATE |
|-------|-------------|------|
| 1 | | |
| 2 | | |
| 3 | | |
| 4 | | |
| 5 | | |
| 6 | | |
| 7 | | |
| 8 | | |

THE GUILFORD - LH

Elevation Options - French Country (Slab)

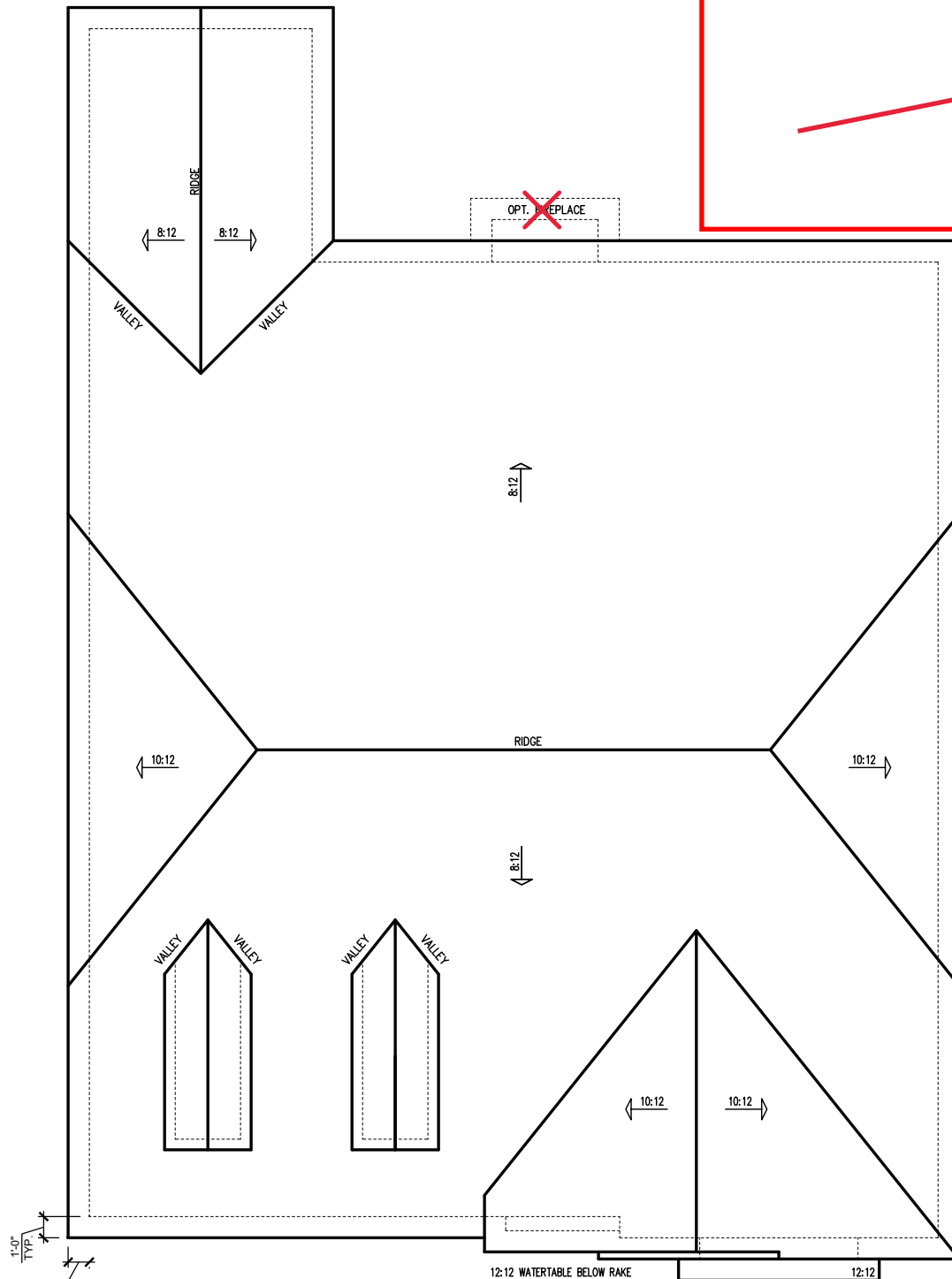
DRAWN BY:
New Home Inc. - Jennifer Jones

ISSUE DATE:
08-10-2023

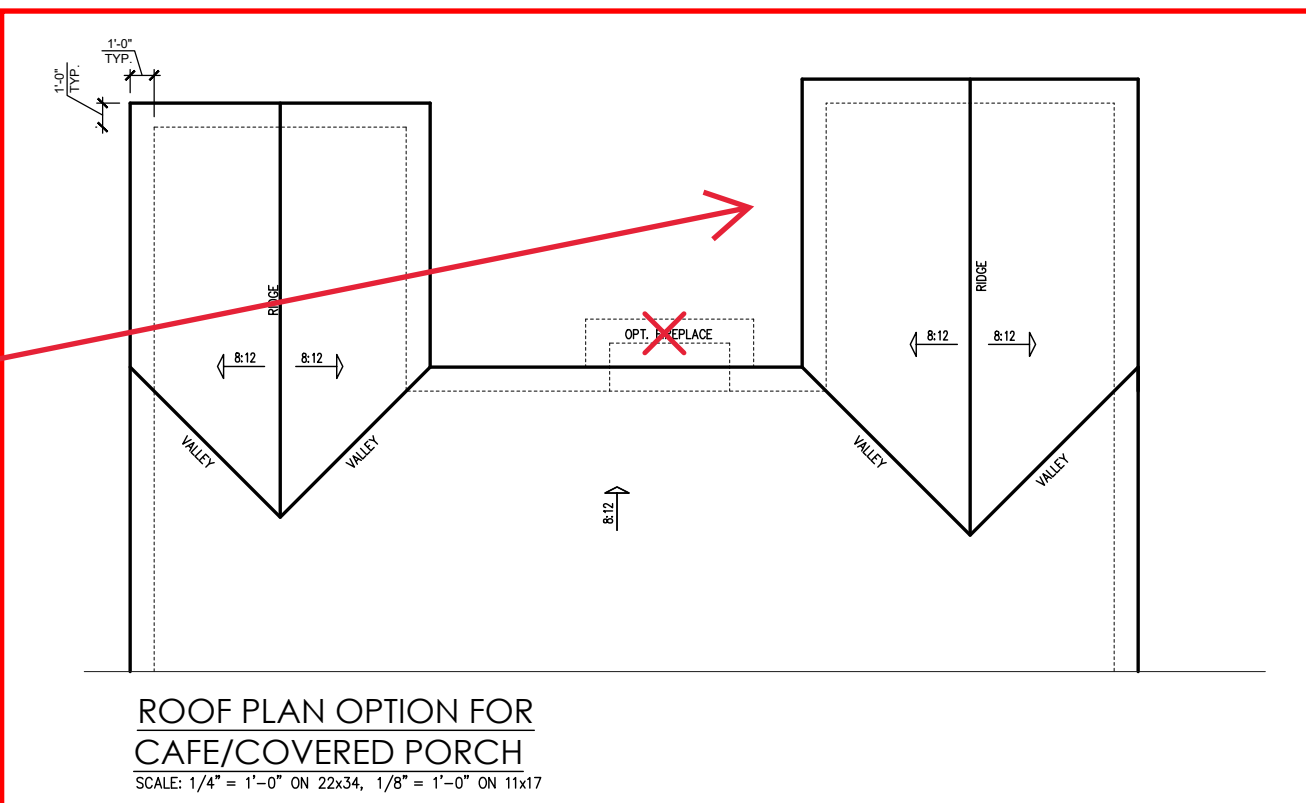
CURRENT REVISION DATE:

SCALE:
1/8" = 1'-0"

SHEET
3.2



ROOF PLAN A
 SCALE: 1/4" = 1'-0" ON 22x34, 1/8" = 1'-0" ON 11x17

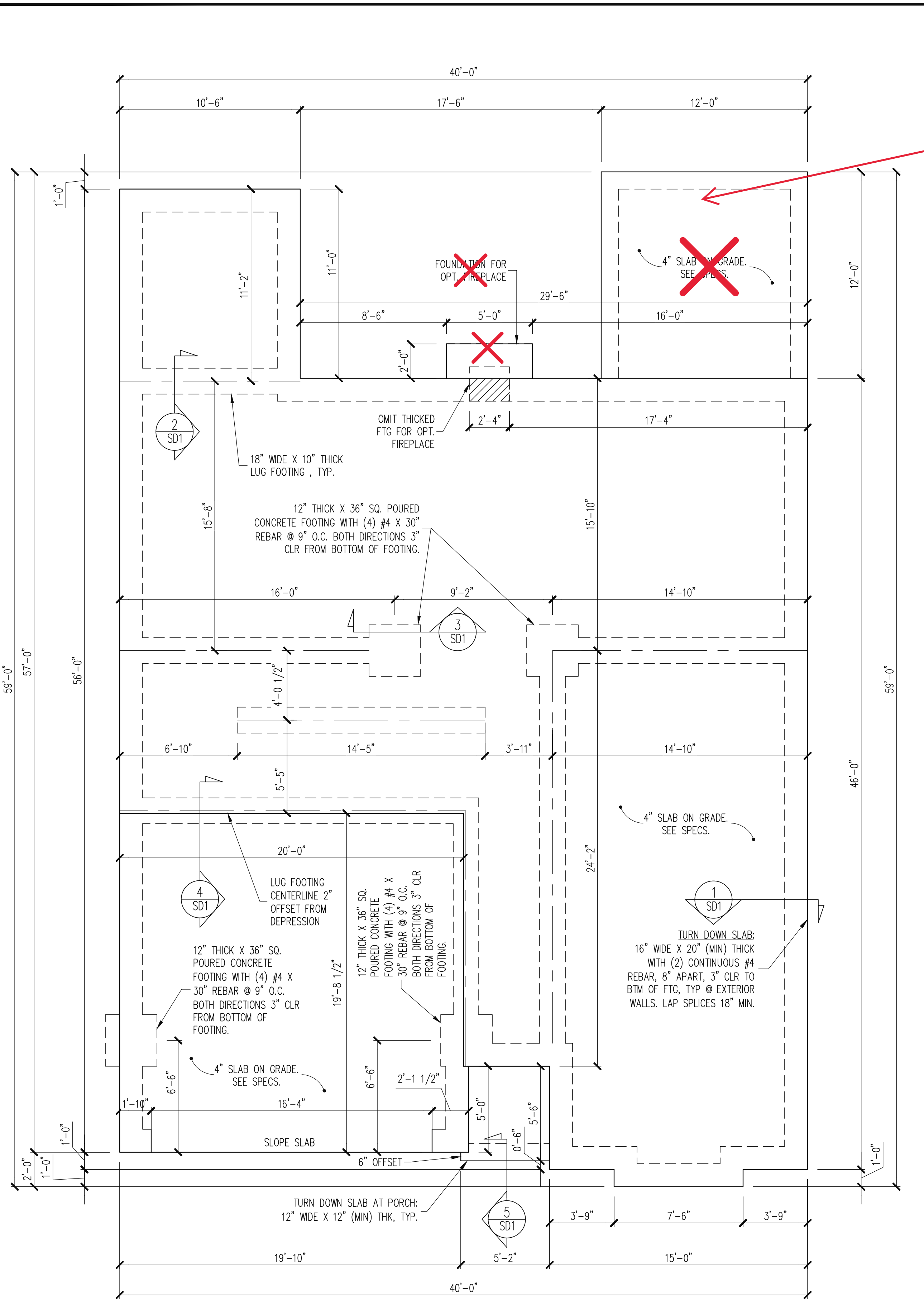


ROOF PLAN OPTION FOR CAFE/COVERED PORCH
 SCALE: 1/4" = 1'-0" ON 22x34, 1/8" = 1'-0" ON 11x17

| REV.# | DESCRIPTION | DATE |
|-------|-------------|------|
| 1 | | |
| 2 | | |
| 3 | | |
| 4 | | |
| 5 | | |
| 6 | | |
| 7 | | |
| 8 | | |

THE GUILFORD - LH
 Roof Plan - French Country A

DRAWN BY:
 New Home Inc. - Jennifer Jones
 ISSUE DATE:
 08-10-2023
 CURRENT REVISION DATE:
 SCALE:
 1/8" = 1'-0"
 SHEET
4.0



See Page S-6
for Extended
Cafe Option

MONO SLAB FOUNDATION PLAN
ELEVATION A & B
1/4" = 1'-0"

CONSTRUCTION SPECIFICATIONS
INSTANT REFERENCES

REFER TO THE CONSTRUCTION SPECIFICATIONS SECTIONS FOR THE FOLLOWING INFORMATION:

PART 1.01: CURRENT GOVERNING CODE

PART 14: STUD SUPPORT FOR BEAMS

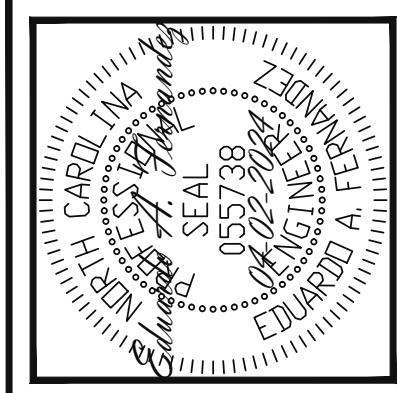
PART 17: KING STUDS FOR EXTERIOR WALLS

SEE DETAIL / CONSTRUCTION SPECIFICATIONS SHEETS FOR I-JOISTS ALLOWABLE SUBSTITUTIONS

NOTES:

- HEIGHT AND BACKFILL LIMITATIONS FOR FOUNDATION WALLS ARE TO BE GOVERNED BY THE NCSBC, LATEST EDITION. REINFORCEMENT AND GROUTING SHALL BE DETERMINED BY FINAL SITE CONDITIONS.
- BUILDER TO FIELD LOCATE CRAWLSPACE ACCESS OPENING WITH MINIMUM DIMENSIONS OF 18X24. DO NOT LOCATE ACCESS OPENING BELOW POINT LOADS FROM ABOVE WITHOUT ENGINEER APPROVAL.
- PLUMBING SHOWN FOR REFERENCE ONLY. BUILDER VERIFY FINAL FIXTURE LOCATIONS, SIZES AND REQUIREMENTS PRIOR TO INSTALLATION.

The structural design of this plan is the property of Engineering Tech Associates, P.A. These plans are for the one time use at the location and for the client listed. Engineering Tech Associates, P.A. assumes no liability for these plans if they are reproduced, in whole or in part, for construction at any other location without written permission from Engineering Tech Associates, P.A.



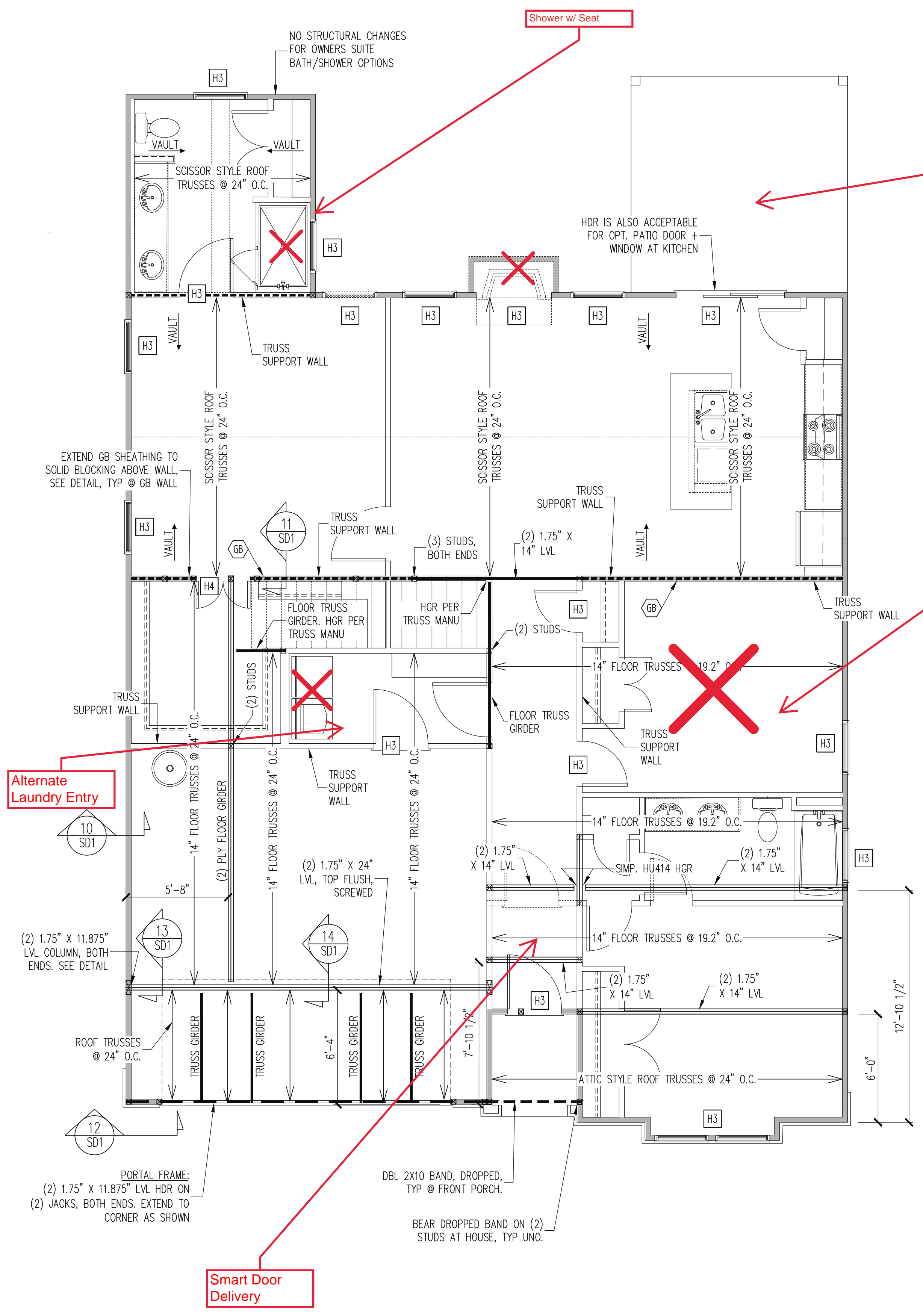
Engineering Tech Associates, P.A.
STRUCTURAL ENGINEERS
License No. C-3870
318 W Millbrook Rd. Unit 201
Raleigh, North Carolina 27609
Phone (919) 844-1661

| | |
|---------------|---|
| NEW HOMES INC | |
| SCOPE: | STRUCTURAL ADDENDUM |
| LOC: | QUILFORD MASTER PLANS FRENCH COUNTRY- LH |
| REV # | REF PROJ # |
| 1 | 24-66-124 |
| DATE | 04-02-2024 |

ENG: EAF/RJS
DATE: 10-31-2023

PROJECT NO.
23-65-200_124L

SHEET NO.
S1A
1 of 10



See Page S-7 for Extended Cafe Option

See Page S-4 for Pocket Office and Messy Kitchen Option

Alternate Laundry Entry

Smart Door Delivery

WALL BRACING

SHADED WALLS:

ALL EXTERIOR STUD WALLS, EXTERIOR SIDE, ARE TO BE CONTINUOUSLY SHEATHED WITH 7/16 APA RATED OSB NAILED TO STUDS WITH 8d NAILS @ 6" O.C. AT PANEL EDGES, 12" O.C. IN PANEL FIELD.

WSP - ONE SIDE OF INTERIOR WALL OR INSIDE OF EXTERIOR WALL WITH 3/8" MIN. THICKNESS WOOD STRUCTURAL PANELING. ATTACH WSP TO STUD WALL WITH 8d NAILS @ 4" O.C. AT PANEL EDGES, 8" O.C. IN PANEL FIELD.

GB - INTERIOR BRACED WALL. 1/2" GB SECURED PER TABLE R602.10.2 OF THE 2018 NCRBC. (FASTENERS @ 7" O.C.) BOTH SIDES OF WALL, OR (FASTENERS @ 4" O.C.) ONE SIDE OF WALL AT STAIRS (BUILDER PERMITTED TO SUBSTITUTE "WSP" FOR ANY "GB" WALL)

NOTES:
PROVIDED CONTINUOUS SHEATHING = 192" MIN.

REFERENCE PART 16.02 OF CONSTRUCTION SPECIFICATIONS FOR GENERAL WIND BRACING INFORMATION.

HEADER SCHEDULE

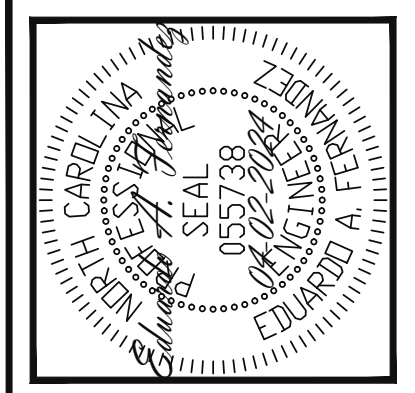
| | |
|----|--------------------------------------|
| H1 | SINGLE 2X4 TURNED FLAT (A) |
| H2 | (2) 2X4'S ON SINGLE JACKS (B) |
| H3 | (2) 2X10'S ON SINGLE JACKS (C) |
| H4 | (2) 1.75" X 9.25" LVL'S ON DBL JACKS |
| H5 | (3) 2X10'S ON SINGLE JACKS |

(A) TYPICAL FOR INTERIOR NON LOAD BEARING WALLS ONLY, ROUGH OPENING 38" MAX.
(B) TYPICAL FOR INTERIOR NON LOAD BEARING WALLS ONLY, ROUGH OPNG 38" TO 74" MAX.
(C) TYPICAL FOR ALL CONDITIONS NOT LISTED IN (A) OR (B) UNO.

NOTES:
-HEADERS IN NON LOAD BEARING INTERIOR WALLS ARE NOT LABELED.

1ST FLOOR FRAMING PLAN
ELEVATION A
WALLS AND CEILING - 1/4" = 1'-0"

The structural design of this plan is the property of Engineering Tech Associates, P.A. These plans are for the one time use at the location and for the client listed. Engineering Tech Associates, P.A. assumes no liability for these plans if they are reproduced, in whole or in part, for construction at any other location without written permission from Engineering Tech Associates, P.A.



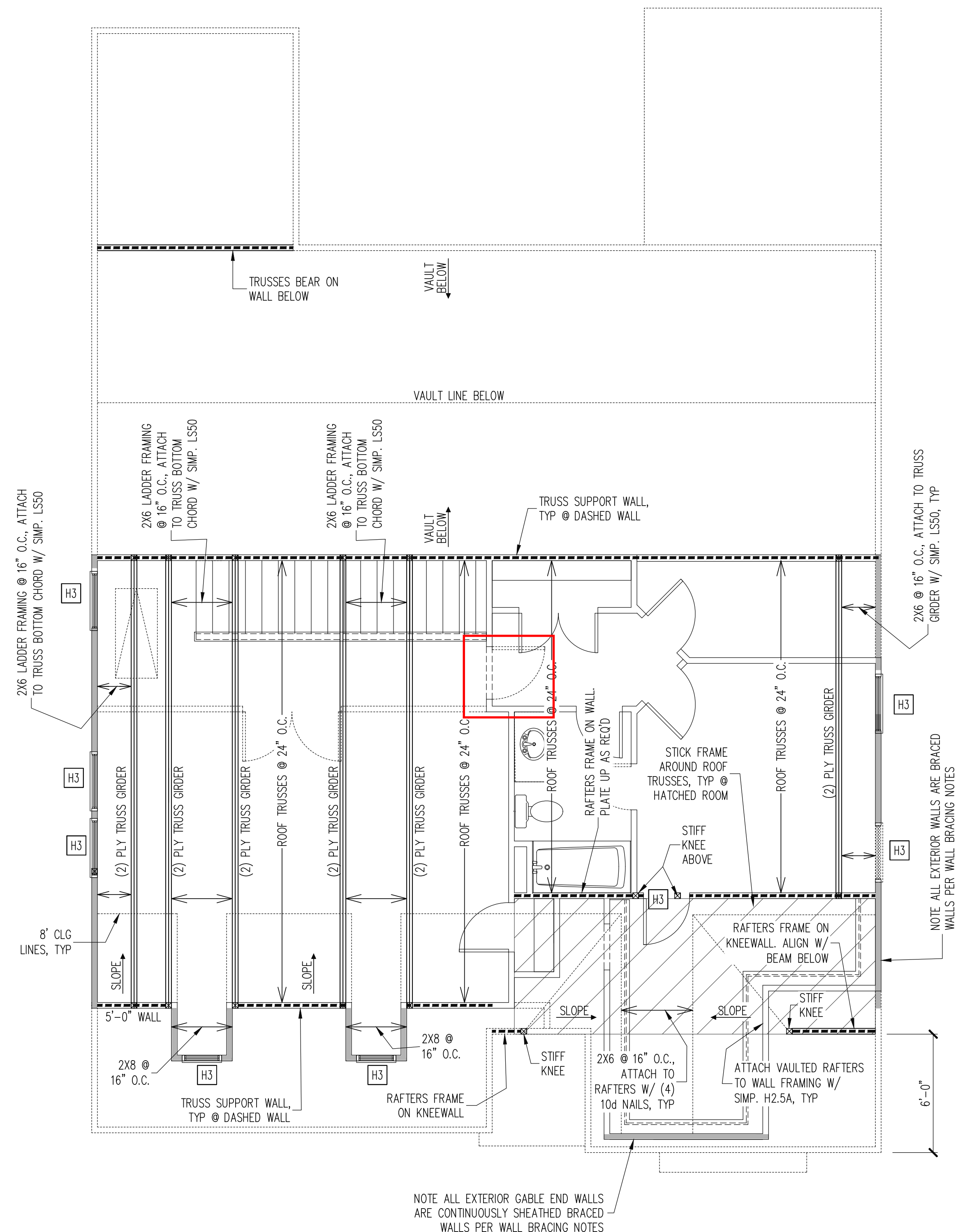
Engineering Tech Associates, P.A.
STRUCTURAL ENGINEERS
License No. C-3870
318 W Millbrook Rd. Unit 201
Raleigh, North Carolina 27609
Phone (919) 844-1661

| | | | | |
|-------------------------|---------------------|--------------------|------------|------------|
| NEW HOMES INC | STRUCTURAL ADDENDUM | REV # | REF PROJ # | DATE |
| SCOPE: | LOC: | 1 | 24-66-124 | 04-02-2024 |
| STRUCTURAL MASTER PLANS | | FRENCH COUNTRY- LH | | |

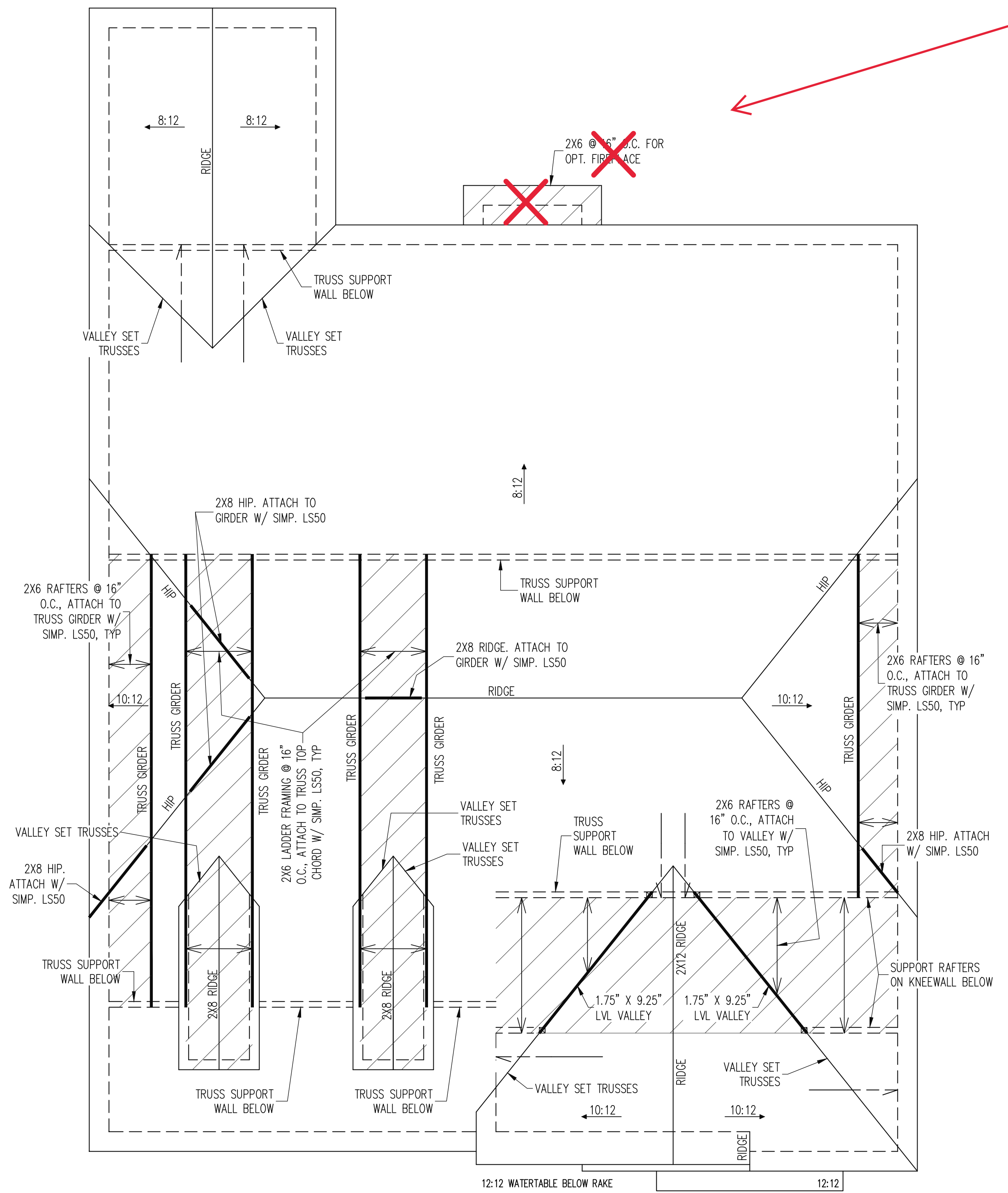
ENG: EAF/RJS
DATE: 10-31-2023

PROJECT NO.
23-65-200_124L

SHEET NO.
S2A
2 of 10



2ND FLOOR FRAMING PLAN
ELEVATION A
WALLS AND CEILING - 1/4" = 1'-0"



ROOF FRAMING PLAN
ELEVATION A
1/4" = 1'-0"

See Page S-8
for Extended
Cafe Roof
Framing

TRUSS UPLIFT CONNECTORS
EXPOSURE B, 115 MPH, ANY PITCH
24" O.C. MAX ROOF TRUSS SPACING
TRUSSES SHALL BE ATTACHED TO SUPPORT WALL FOR UPLIFT RESISTANCE. CONTINUOUS OSB WALL SHEATHING BELOW PROVIDES CONTINUOUS UPLIFT RESISTANCE TO FOUNDATION. ALL TRUSSES SUPPORTED BY INTERMEDIATE SUPPORT WALLS, KNEEWALLS OR BEAMS SHALL BE ATTACHED TO SUPPORTING MEMBER PER SCHEDULE BELOW.
ROOF SPAN IS MEASURED HORIZONTALLY BETWEEN FURTHEST SUPPORT POINTS.
ROOF SPAN UP TO 28' CONNECTOR NAILING PER TABLE 602.3(1) NCRBC 2018 EDITION
OVER 28' (1) SIMPSON H2.5A HURRICANE CLIP TO DBL TOP PLATE OR BEAM

FRAMING NOTES
ROOF ONLY
-COMMON RAFTERS 2X8 @ 16" O.C. TYP U.N.O.
-COLLAR TIES 2X4 EVERY 3RD SET OF RAFTERS TYP U.N.O.
-VERIFY ROOF PITCHES, OVERHANG LENGTHS, AND KNEEWALL FRAMING HGTS WITH ARCHITECTURAL DRAWINGS, TYPICAL.

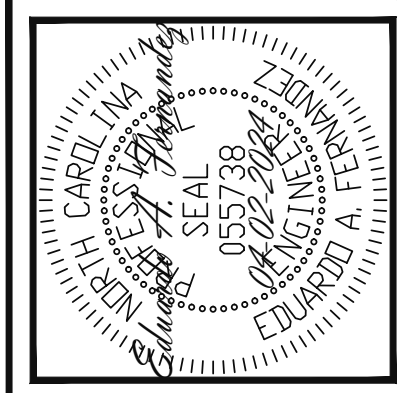
WALL BRACING
SHADED WALLS:
ALL EXTERIOR STUD WALLS, EXTERIOR SIDE, ARE TO BE CONTINUOUSLY SHEATHED WITH 7/16 APA RATED OSB NAILED TO STUDS WITH 8d NAILS @ 6" O.C. AT PANEL EDGES, 12" O.C. IN PANEL FIELD.
NOTES:
PROVIDED CONTINUOUS SHEATHING = 3/4" MIN.
REFERENCE PART 16.02 OF CONSTRUCTION SPECIFICATIONS FOR GENERAL WIND BRACING INFORMATION.

HEADER SCHEDULE

| | |
|----|--------------------------------------|
| H1 | SINGLE 2X4 TURNED FLAT (A) |
| H2 | (2) 2X4'S ON SINGLE JACKS (B) |
| H3 | (2) 2X10'S ON SINGLE JACKS (C) |
| H4 | (2) 1.75" X 9.25" LVL'S ON DBL JACKS |
| H5 | (3) 2X10'S ON SINGLE JACKS |

(A) TYPICAL FOR INTERIOR NON LOAD BEARING WALLS ONLY, ROUGH OPENING 38" MAX.
(B) TYPICAL FOR INTERIOR NON LOAD BEARING WALLS ONLY, ROUGH OPNG 38" TO 74" MAX.
(C) TYPICAL FOR ALL CONDITIONS NOT LISTED IN (A) OR (B) UNO.
NOTES:
-HEADERS IN NON LOAD BEARING INTERIOR WALLS ARE NOT LABELED.

The structural design of this plan is the property of Engineering Tech Associates, P.A. These plans are for the one time use at the location and for the client listed. Engineering Tech Associates, P.A. assumes no liability for these plans if they are reproduced, in whole or in part, for construction at any other location without written permission of Engineering Tech Associates, P.A.



STRUCTURAL ENGINEERS
License No. C-3870
318 W Millbrook Rd. Unit 201
Raleigh, North Carolina 27609
Phone (919) 844-1661
Engineering Tech Associates, P.A.

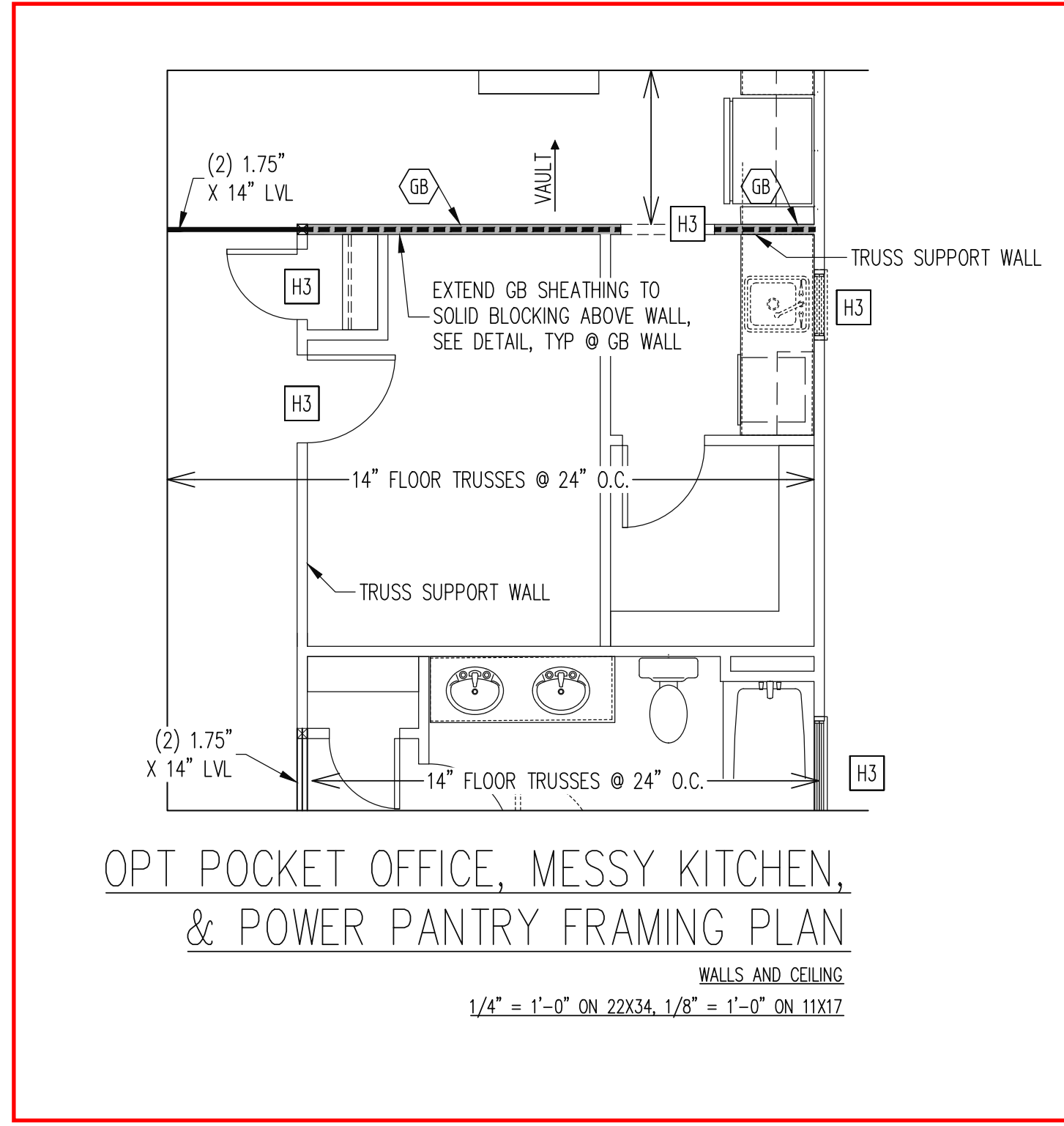
| | | | | |
|--------------------|---------------------|-------|------------|------------|
| NEW HOMES INC | STRUCTURAL ADDENDUM | REV # | REF PROJ # | DATE |
| SCOPE: | LOC: | 1 | 24-66-124 | 04-02-2024 |
| FRENCH COUNTRY- LH | | | | |

ENG: EAF/RJS
DATE: 10-31-2023

PROJECT NO.
23-65-200_124L

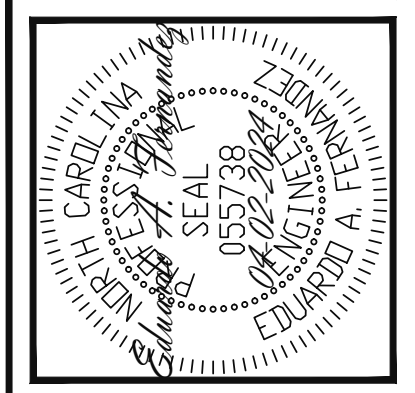
SHEET NO.
S3A
3 of 10

ELEVATION A & B
W/ TYP 2ND LEVEL
FLOOR PLAN



NO FOUNDATION CHANGES FOR
OFFICE OR DINING ROOM OPTIONS

The structural design of this plan is the property of Engineering Tech Associates, P.A. These plans are for the one time use at the location and for the client listed. Engineering Tech Associates, P.A. assumes no liability for these plans if they are reproduced, in whole or in part, for construction at any other location without written permission from Engineering Tech Associates, P.A.



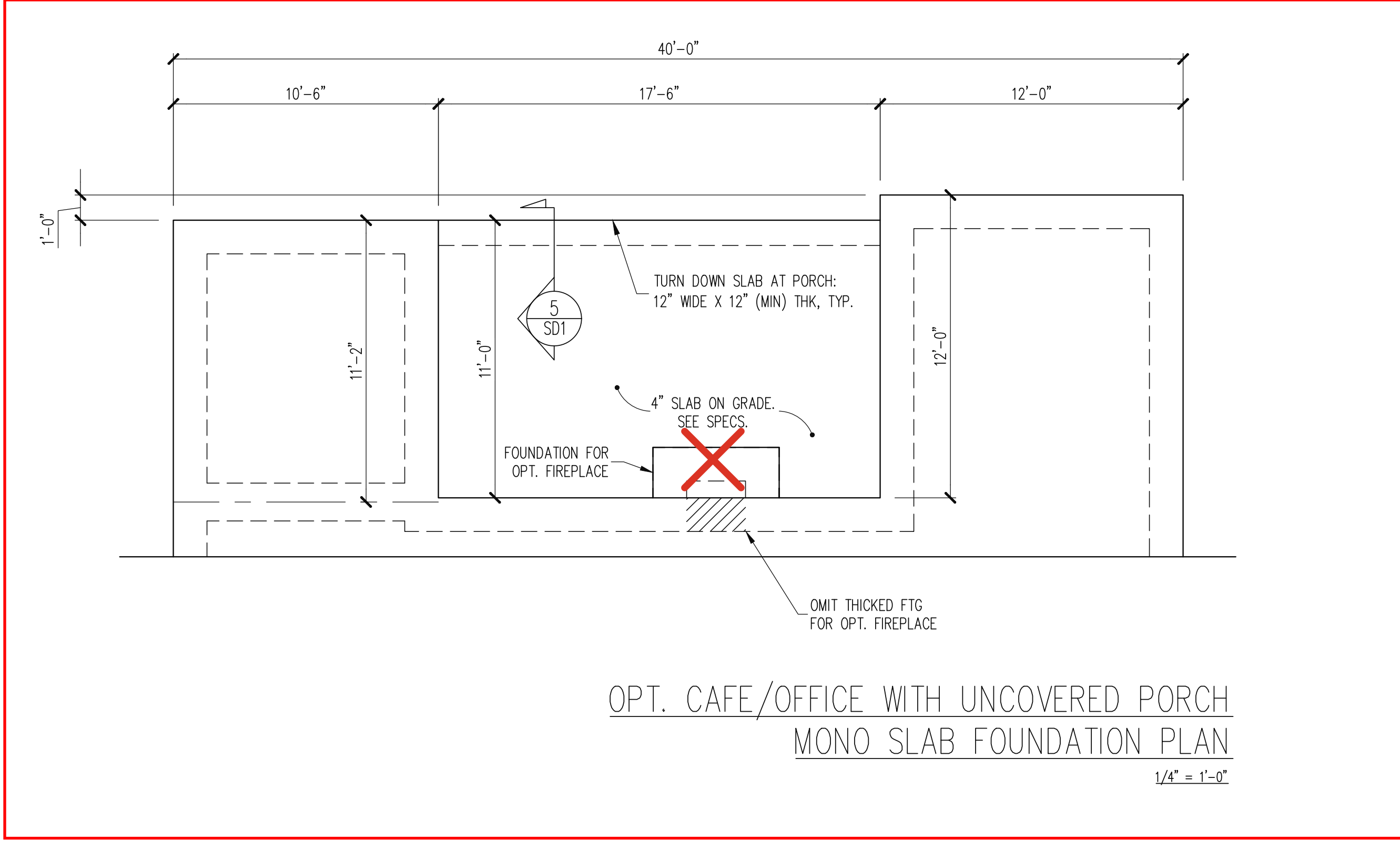
Engineering Tech Associates, P.A.
STRUCTURAL ENGINEERS
License No. C-3870
318 W Millbrook Rd. Unit 201
Raleigh, North Carolina 27609
Phone (919) 844-1661

| | |
|---------------|---|
| NEW HOMES INC | |
| SCOPE: | STRUCTURAL ADDENDUM |
| LOC: | CUILFORD MASTER PLANS FRENCH COUNTRY- LH |
| REV # | REF PROJ # |
| 1 | 24-66-124 |
| DATE | 04-02-2024 |

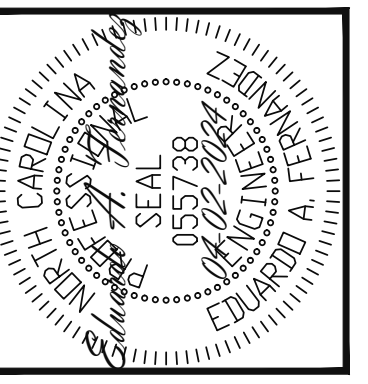
ENG: EAF/RJS
DATE: 10-31-2023

PROJECT NO.
23-65-200_124L

SHEET NO.
S4
4 of 10



The structural design of this plan is the property of Engineering Tech Associates, P.A. These plans are for the one time use at the location and for the client listed. Engineering Tech Associates, P.A. assumes no liability for these plans if they are reproduced, in whole or in part, for construction at any other location without written permission from Engineering Tech Associates, P.A.



Engineering Tech
ASSOCIATES, P.A.

STRUCTURAL ENGINEERS
License No. C-3870
318 W Millbrook Rd. Unit 201
Raleigh, North Carolina 27609
Phone (919) 844-1661

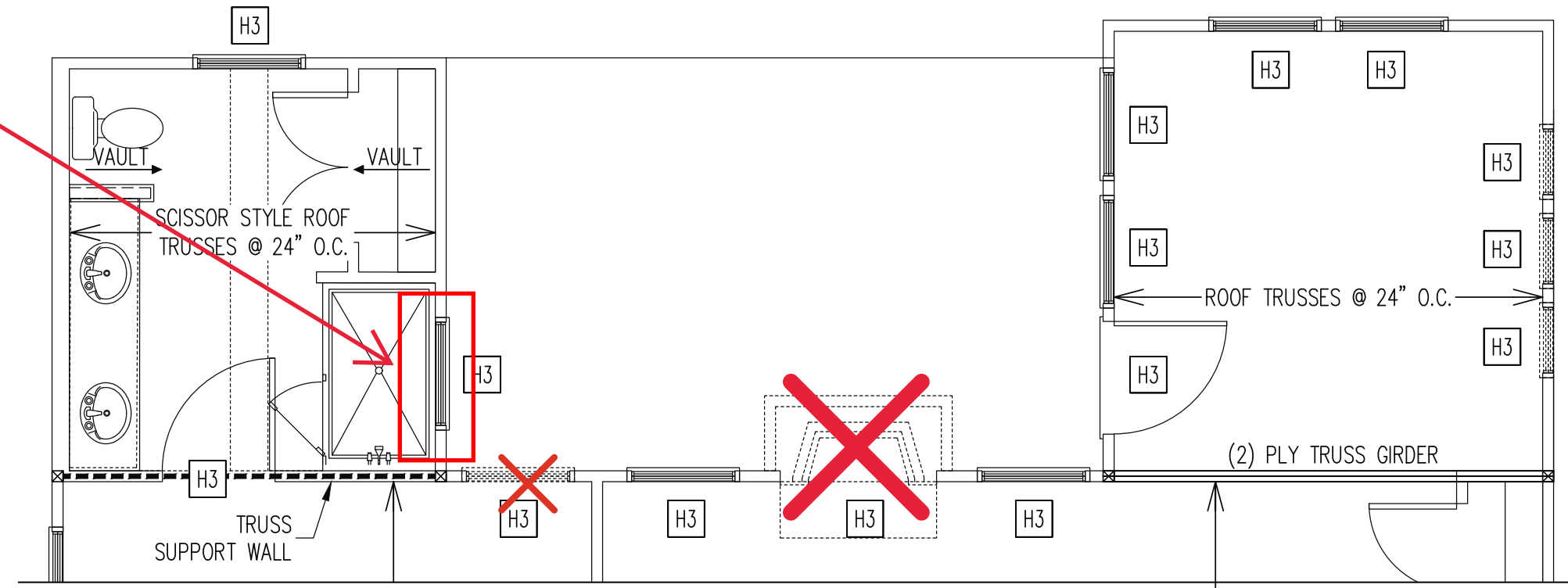
| | |
|----------------------------|------------------------|
| NEW HOMES INC | |
| STRUCTURAL ADDENDUM | |
| SCOPE: | REV # REF PROJ # DATE |
| LOC: CUILFORD MASTER PLANS | 1 24-66-124 04-02-2024 |
| FRENCH COUNTRY- LH | |

ENG: EAF/RJS
DATE: 10-31-2023

PROJECT NO.
23-65-200_124L

SHEET NO.
S5
5 of 10

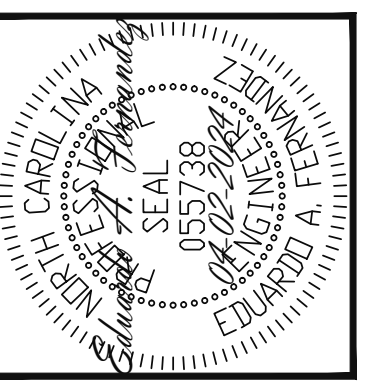
Shower w/ Seat



OPT. CAFE/OFFICE WITH UNCOVERED PORCH
1ST FLOOR FRAMING PLAN

WALLS AND CEILING
1/4" = 1'-0" ON 22X34, 1/8" = 1'-0" ON 11X17

The structural design of this plan is the property of Engineering Tech Associates, P.A. These plans are for the one time use at the location and for the client listed. Engineering Tech Associates, P.A. assumes no liability for these plans if they are reproduced, in whole or in part, for construction at any other location without written permission from Engineering Tech Associates, P.A.



Engineering Tech Associates, P.A.
STRUCTURAL ENGINEERS
License No. C-3870
318 W Millbrook Rd. Unit 201
Raleigh, North Carolina 27609
Phone (919) 844-1661

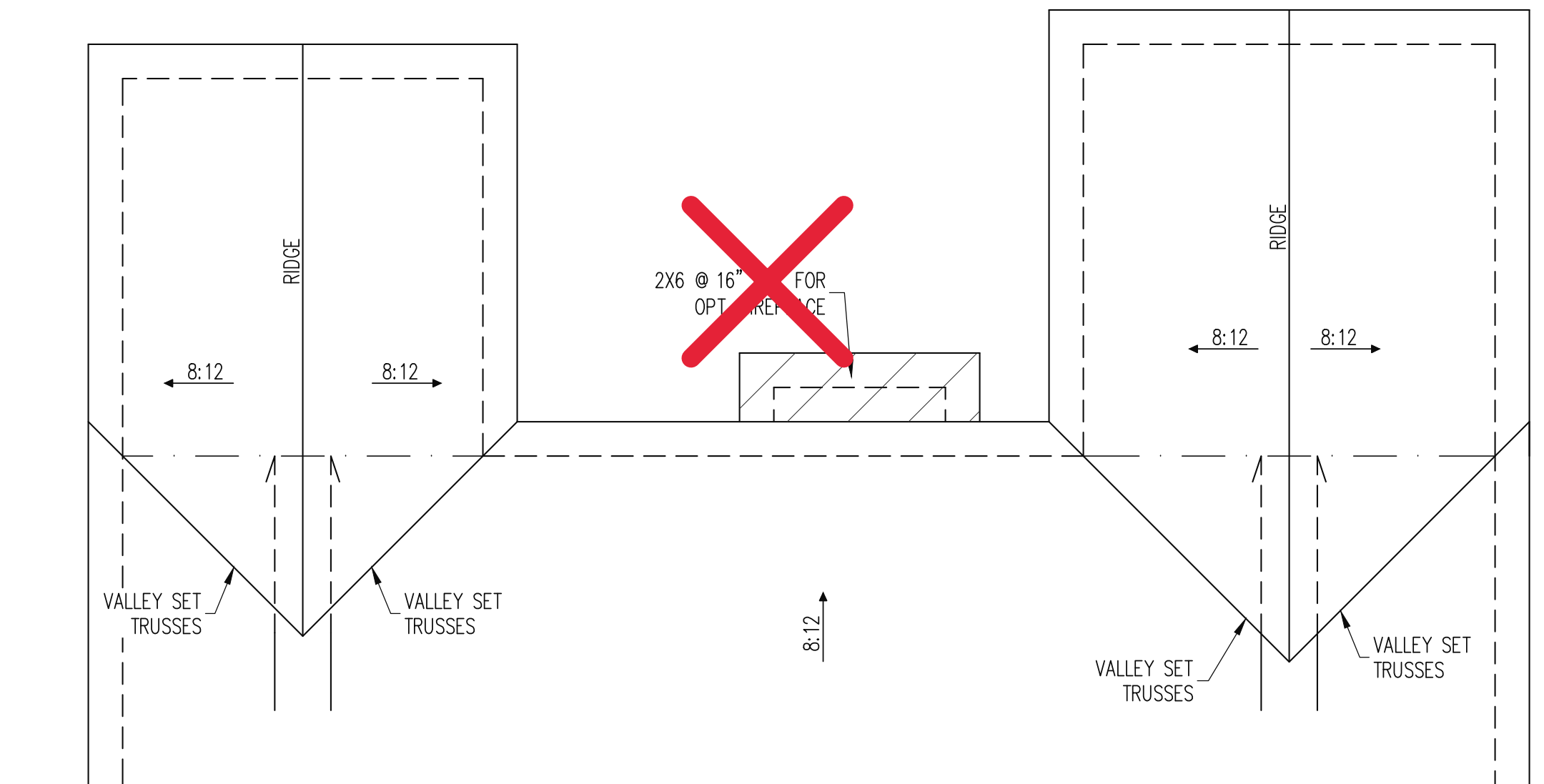
| | |
|----------------------------|------------------------|
| NEW HOMES INC | |
| STRUCTURAL ADDENDUM | |
| SCOPE: | REV # REF PROJ # DATE |
| LOC: CUILFORD MASTER PLANS | 1 24-66-124 04-02-2024 |
| FRENCH COUNTRY- LH | |

ENG: EAF/RJS
DATE: 10-31-2023

PROJECT NO.
23-65-200_124L

SHEET NO.
S7

7 of 10



OPT CAFE/OFFICE WITH UNCOVERED PORCH
 ROOF FRAMING PLAN

1/4" = 1'-0" ON 22X34, 1/8" = 1'-0" ON 11X17

TRUSS UPLIFT CONNECTORS

EXPOSURE B, 115 MPH, ANY PITCH
 24" O.C. MAX ROOF TRUSS SPACING

TRUSSES SHALL BE ATTACHED TO SUPPORT WALL FOR UPLIFT RESISTANCE. CONTINUOUS OSB WALL SHEATHING BELOW PROVIDES CONTINUOUS UPLIFT RESISTANCE TO FOUNDATION. ALL TRUSSES SUPPORTED BY INTERMEDIATE SUPPORT WALLS, KNEEWALLS OR BEAMS SHALL BE ATTACHED TO SUPPORTING MEMBER PER SCHEDULE BELOW.

ROOF SPAN IS MEASURED HORIZONTALLY BETWEEN FURTHEST SUPPORT POINTS.

ROOF SPAN UP TO 28' CONNECTOR NAILING PER TABLE 602.3(1) NCRBC 2018 EDITION

OVER 28' (1) SIMPSON H2.5A HURRICANE CLIP TO DBL TOP PLATE OR BEAM

FRAMING NOTES

ROOF ONLY

- COMMON RAFTERS 2X8 @ 16" O.C. TYP U.N.O.
- COLLAR TIES 2X4 EVERY 3RD SET OF RAFTERS TYP U.N.O.
- ROOF PITCHES 12:12 TYP U.N.O.

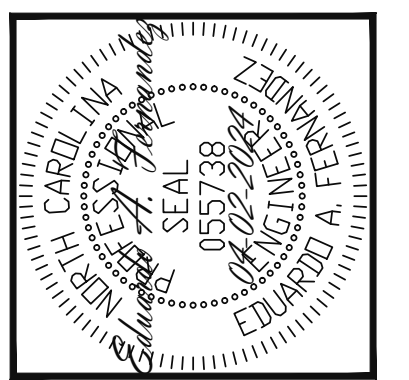
-VERIFY ROOF PITCHES, OVERHANG LENGTHS, AND KNEEWALL FRAMING HGTS WITH ARCHITECTURAL DRAWINGS, TYPICAL.

FRAMING SCHEDULE

ROOF ONLY

- AN SUPPORT BRICK VENEER WITH ANGLE ATTACHED TO MODIFIED STUD WALL
- BR SUPPORT BRICK VENEER PER SECT. R703.8.2 OF THE NCR, LATEST EDITION.
- DR DOUBLE RAFTER
- OV OVERFRAME VALLEY (2X10 SLEEPER)
- SB SUPPORT/SPLICE RAFTERS ON BEAM BELOW
- SK DBL 2X4 STIFF KNEE
- SS SUPPORT/SPLICE RAFTERS ON KNEEWALL BELOW

The structural design of this plan is the property of Engineering Tech Associates, P.A. These plans are for the one time use at the location and for the client listed. Engineering Tech Associates, P.A. assumes no liability for these plans if they are reproduced, in whole or in part, for construction at any other location without written permission from Engineering Tech Associates, P.A.



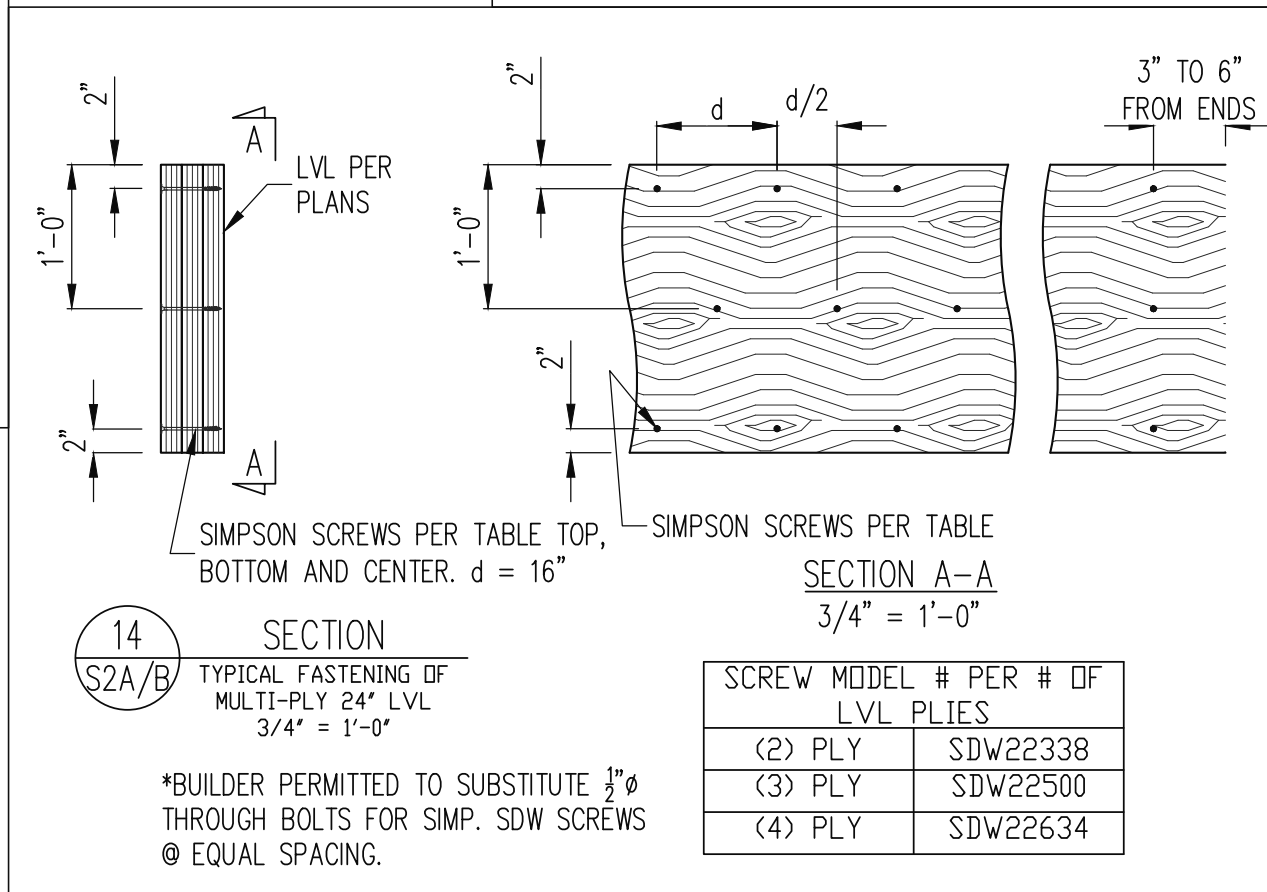
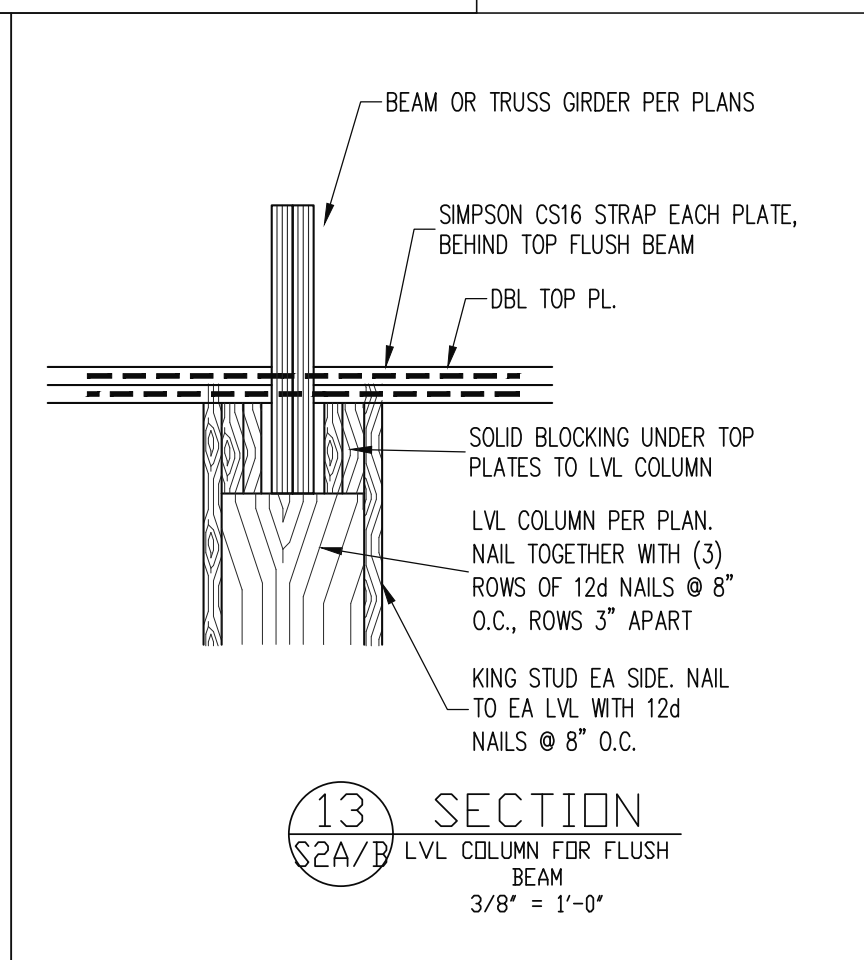
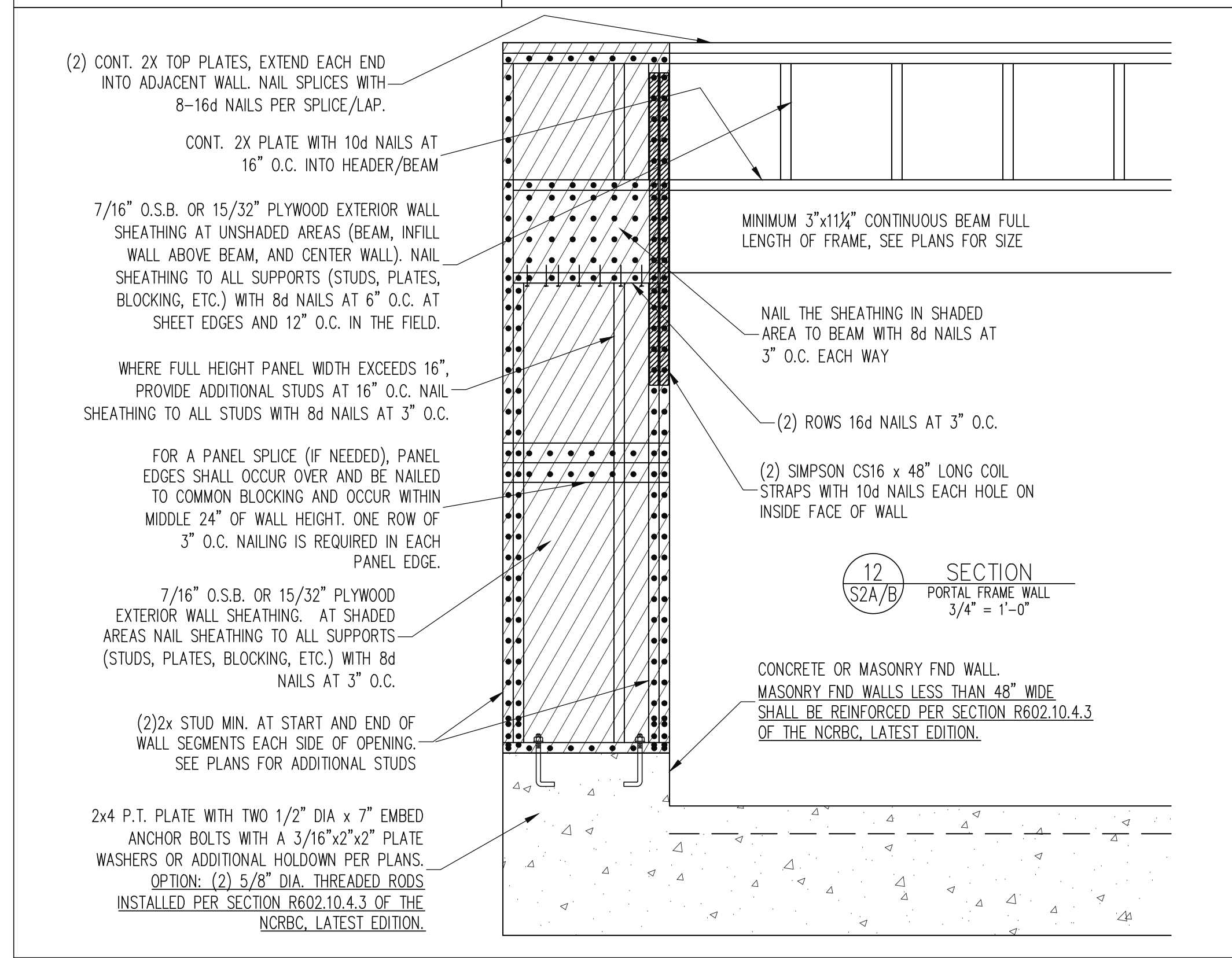
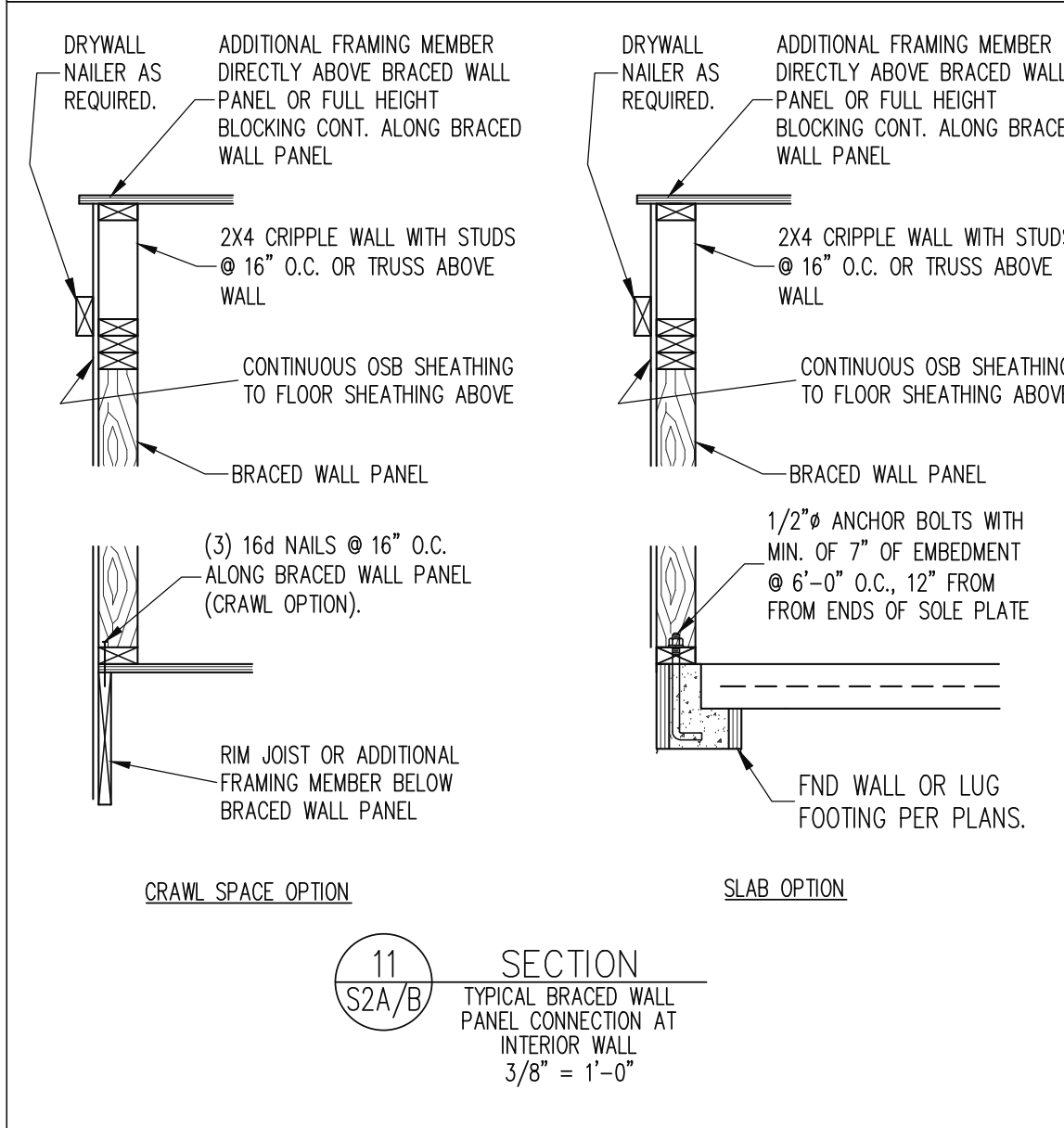
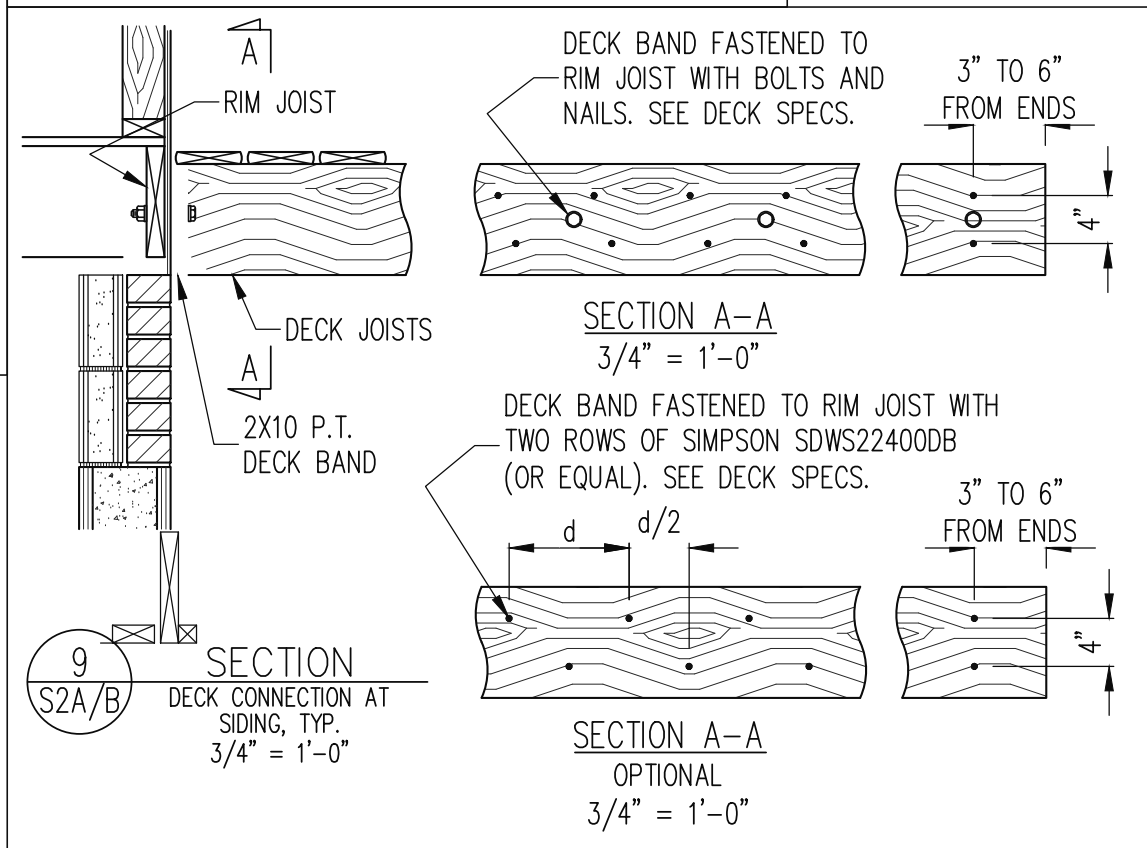
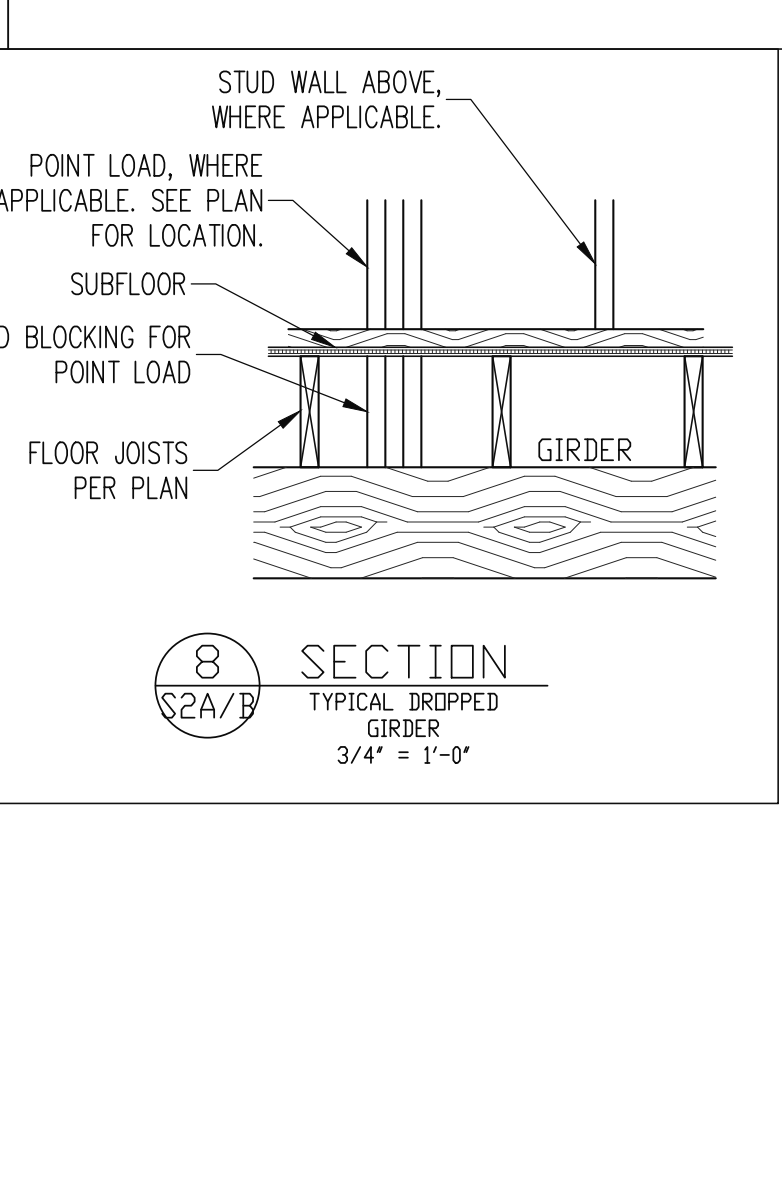
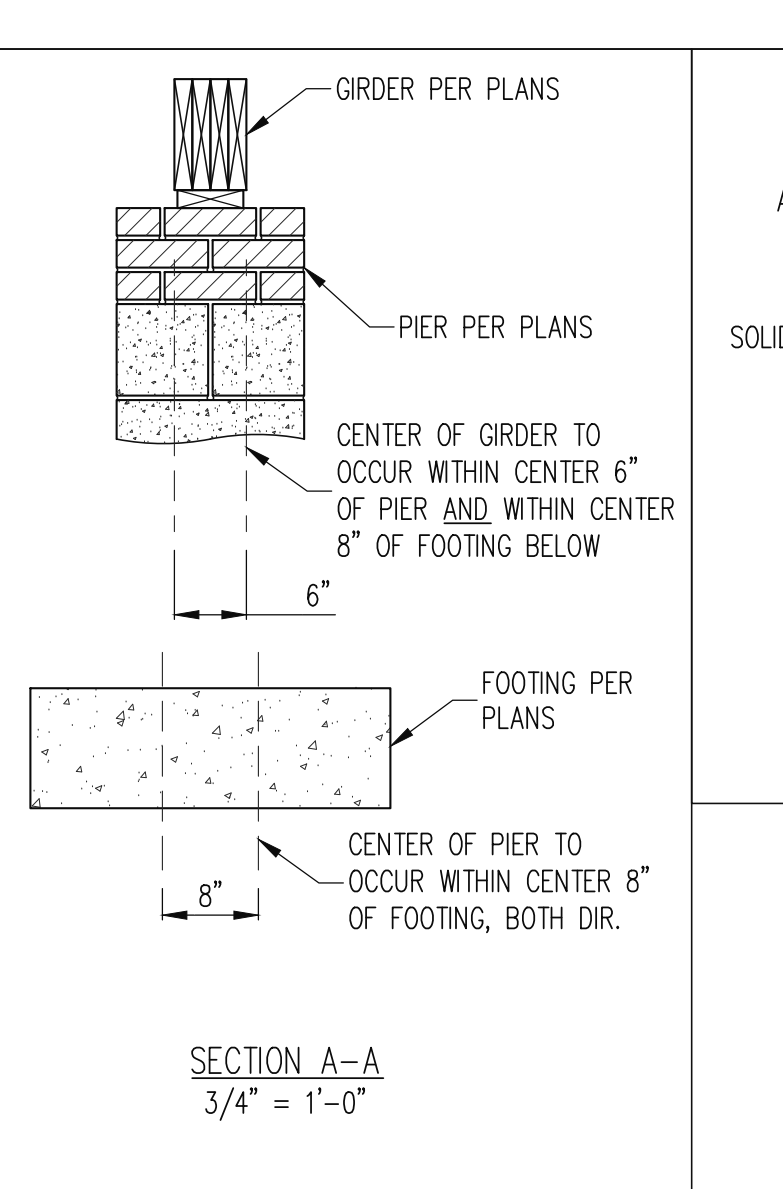
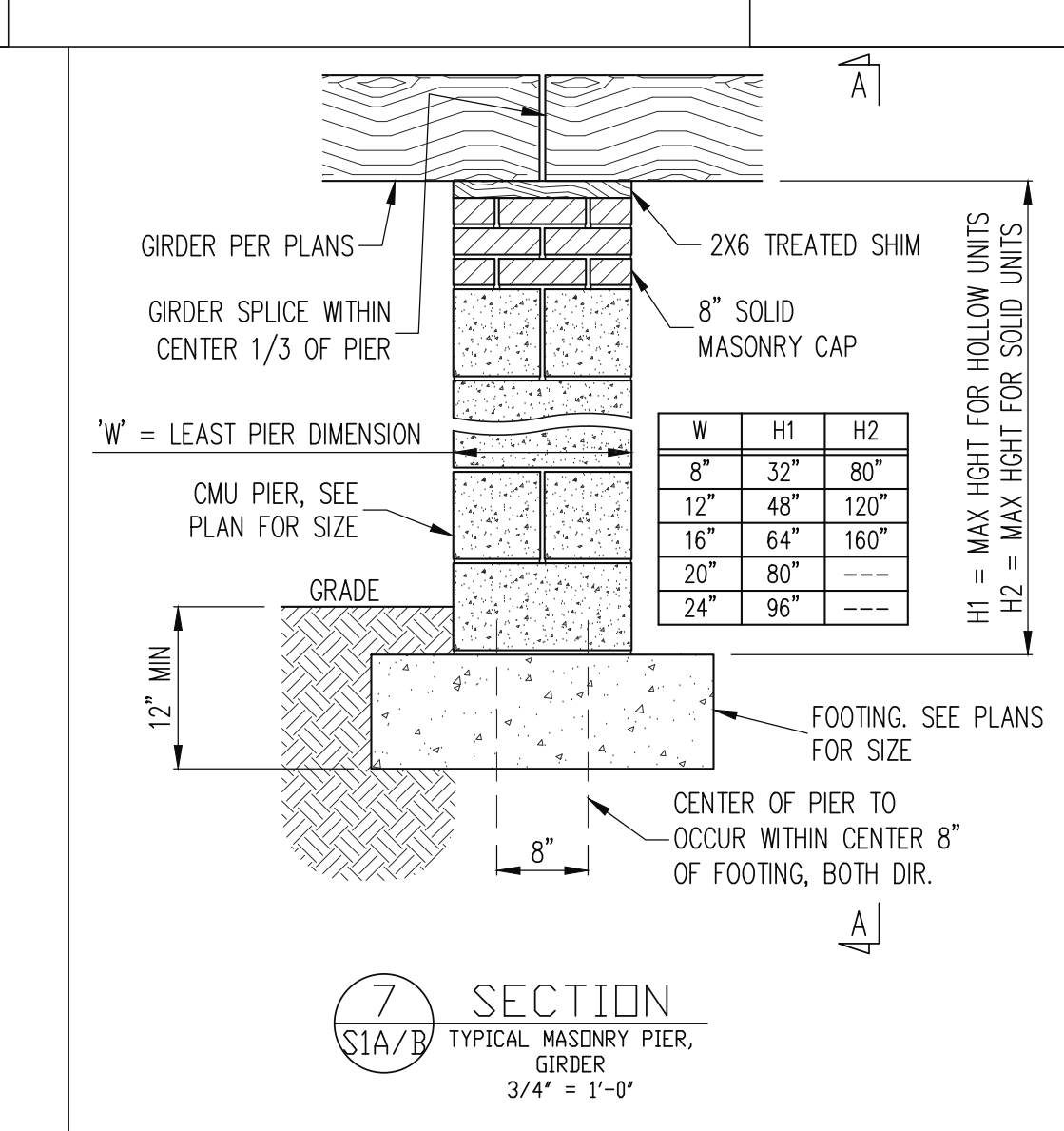
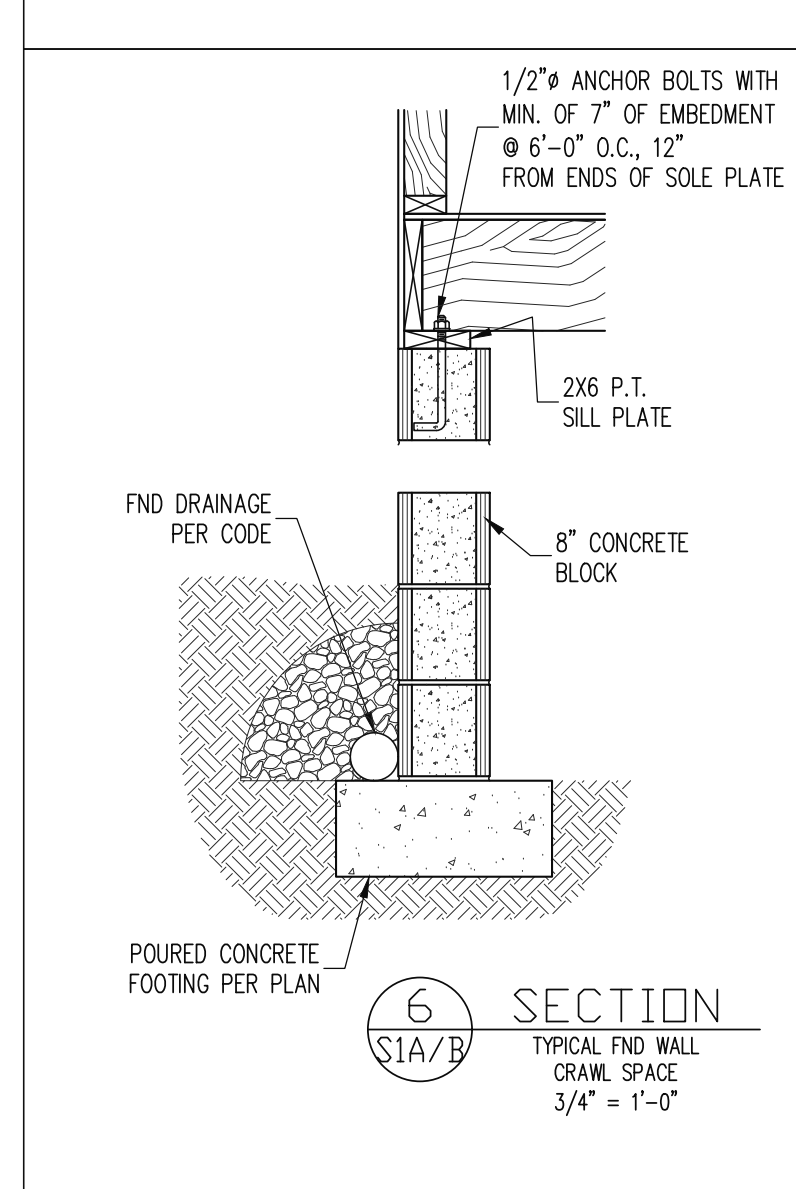
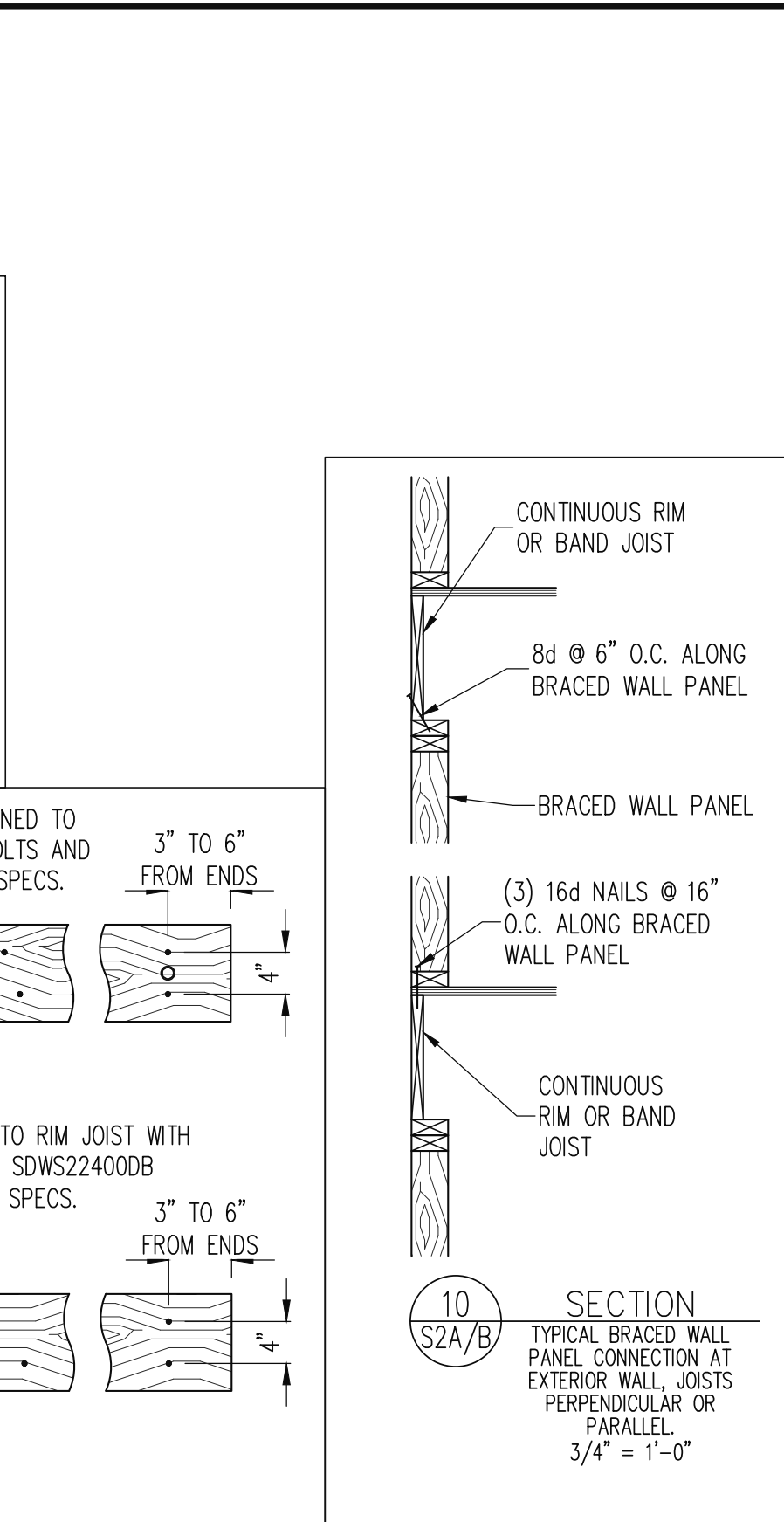
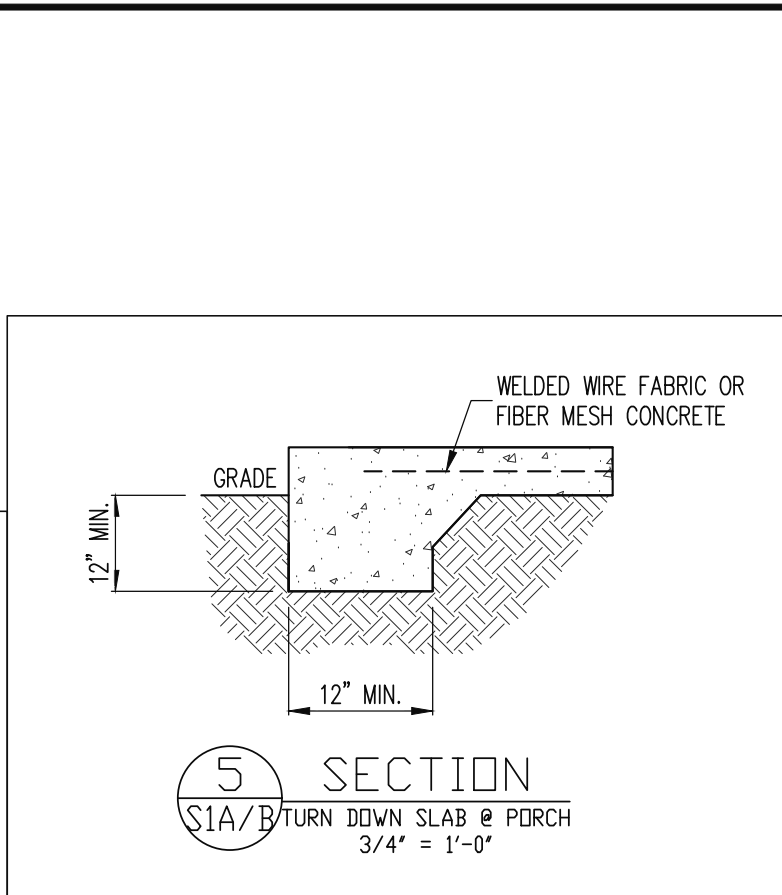
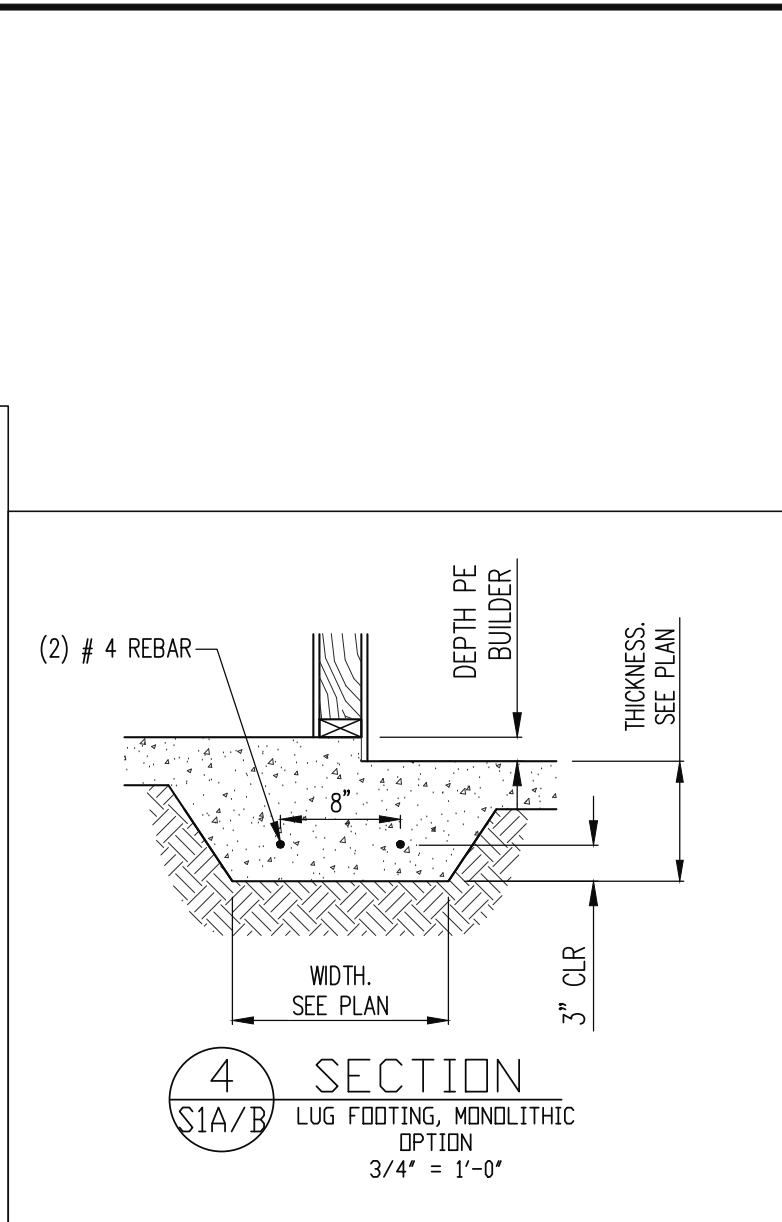
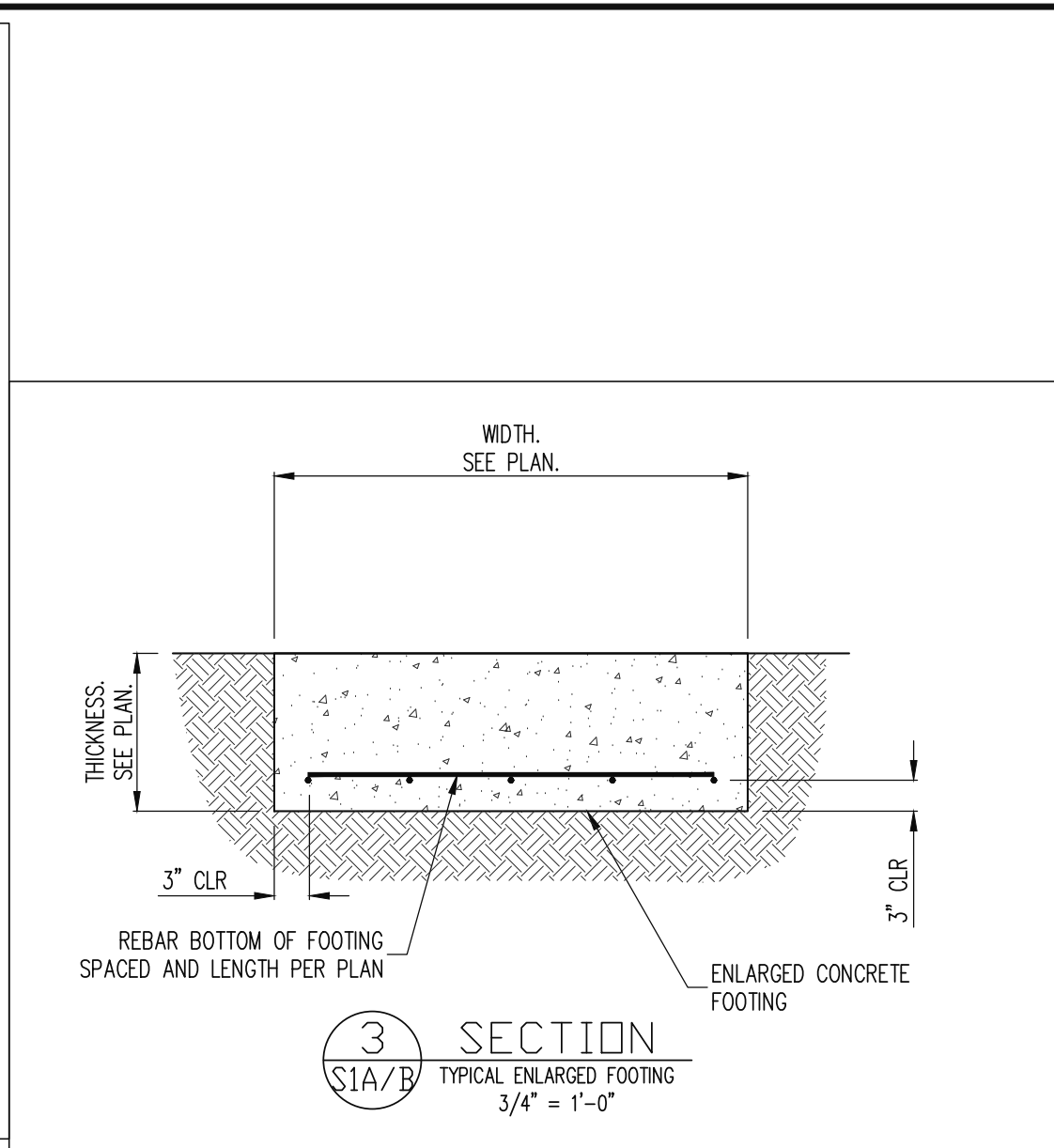
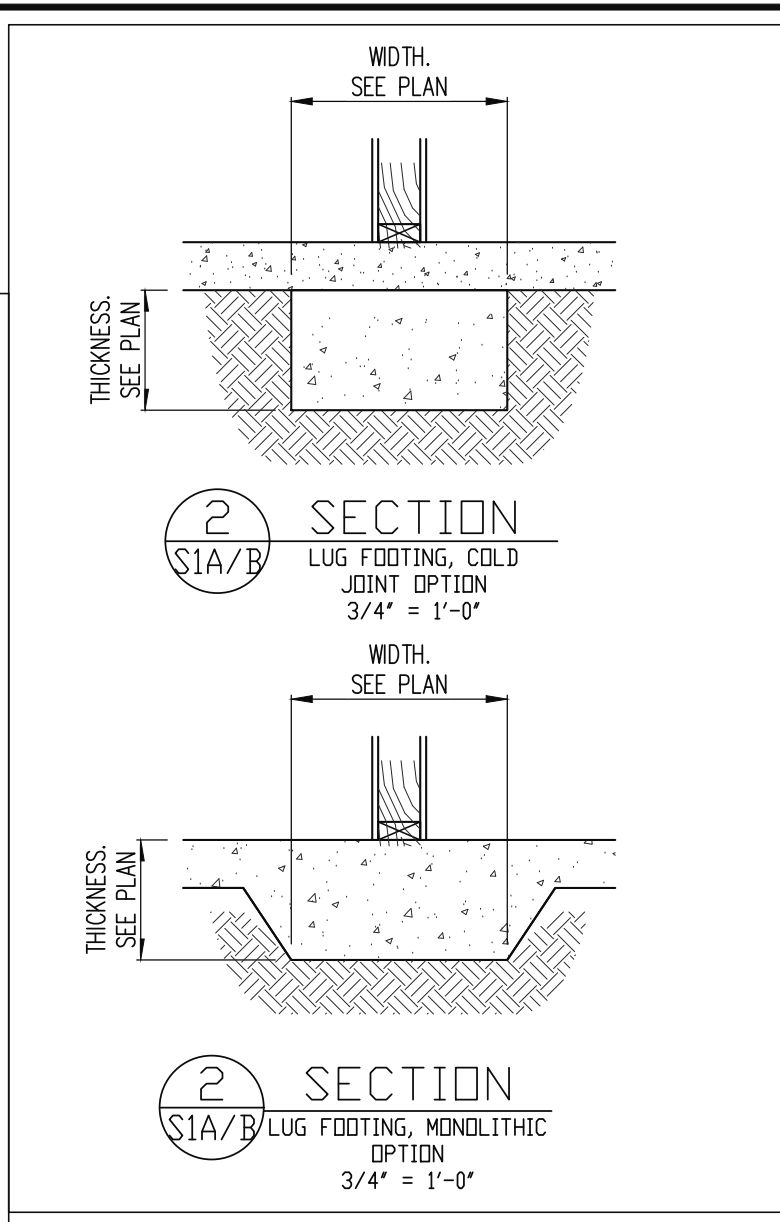
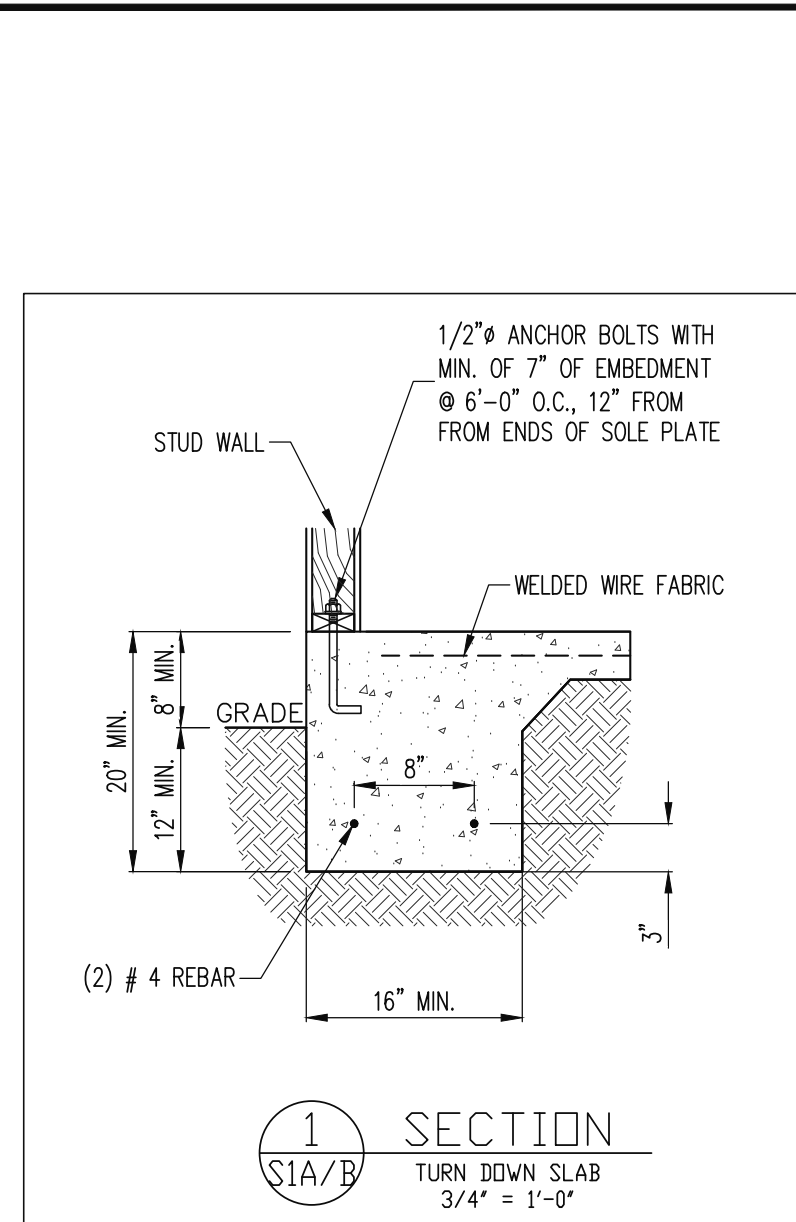
Engineering Tech Associates, P.A.
 STRUCTURAL ENGINEERS
 License No. C-3870
 318 W Millbrook Rd. Unit 201
 Raleigh, North Carolina 27609
 Phone (919) 844-1661

| | |
|---------------|---|
| NEW HOMES INC | |
| SCOPE: | STRUCTURAL ADDENDUM |
| LOC: | CUILFORD MASTER PLANS FRENCH COUNTRY- LH |
| REV # | 1 |
| REF PROJ # | 24-66-124 |
| DATE | 04-02-2024 |

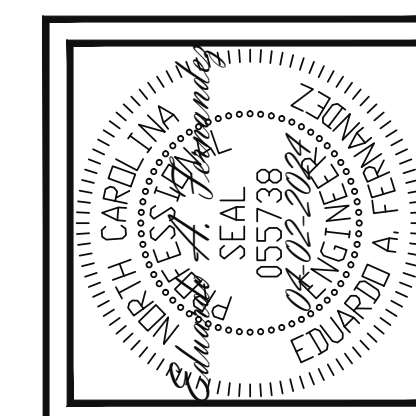
ENG: EAF/RJS
 DATE: 10-31-2023

PROJECT NO.
 23-65-200_124L

SHEET NO.
 S8
 8 of 10



The structural design of this plan is the property of Engineering Tech Associates, P.A. These plans are for the one time use at the location and for the client listed. Engineering Tech Associates, P.A. assumes no liability for these plans if they are reproduced, in whole or in part, for construction at any other location without written permission from Engineering Tech Associates, P.A.



Engineering Tech Associates, P.A.
STRUCTURAL ENGINEERS
License No. C-3870
318 W Millbrook Rd. Unit 201
Raleigh, North Carolina 27609
Phone (919) 844-1661

| | | |
|--------------------|--------|---------------------|
| NEW HOMES INC | SCOPE: | STRUCTURAL ADDENDUM |
| LOC: | REV # | REF PROJ # |
| FRENCH COUNTRY- LH | 1 | 24-66-124 |
| | DATE | 04-02-2024 |

ENG: EAF/RJS
DATE: 10-31-2023

PROJECT NO.
23-65-200_124L

SHEET NO.
SD1
9 of 10

CONSTRUCTION SPECIFICATIONS

PART 1: GENERAL

1.01 CONSTRUCTION SHALL MEET THE REQUIREMENTS OF THE NORTH CAROLINA RESIDENTIAL CODE, 2018 EDITION.

1.02 DIMENSIONS SHOWN SHALL GOVERN OVER SCALE ON THESE DRAWINGS.

1.05 METHODS, PROCEDURES AND SEQUENCES OF CONSTRUCTION ARE THE RESPONSIBILITY OF THE CONTRACTOR, WHO SHALL TAKE ALL NECESSARY PRECAUTIONS TO MAINTAIN AND INSURE THE INTEGRITY OF THE STRUCTURE AT ALL STAGES OF CONSTRUCTION.

PART 2: DESIGN LOADS

2.01 DESIGN LOADS SHALL CONFORM WITH THE TABLE BELOW:

| USE | LIVE LOAD (PSF) | DEAD LOAD (PSF) |
|---|-----------------|--------------------|
| BALCONIES, DECKS, ATTICS WITH FIXED STAIR ACCESS, DWELLING UNITS INCLUDING ATTICS WITH FIXED STAIR ACCESS, STAIRS, FIRE ESCAPES | 40 | 10 |
| GARAGES (PASSENGER CARS ONLY) | 50 | --- |
| ATTICS (NO STORAGE, LESS THAN 5' HEADROOM) | 10 | 10 |
| ATTICS (WITH STORAGE) | 20 | 10 |
| ROOF | 20 | 10 (15 FOR VAULTS) |

NOTES: - INDIVIDUAL STAIR TREADS ARE TO BE DESIGNED FOR THE UNIFORMLY DISTRIBUTED LIVE LOAD OF 40 PSF OR A 300 LB. CONCENTRATED LOAD ACTING OVER AN AREA OF 4 SQ. WHICHEVER PRODUCES THE GREATER STRESS.
- BUILDER TO VERIFY DEAD LOAD DOES NOT EXCEED 10 PSF WHEN HEAVY FLOOR OR ROOF FINISHES SUCH AS TILE OR SLATE ARE UTILIZED. NOTIFY ENGINEERING UNDER THESE CONDITIONS

2.02 INTERIOR WALLS: 5 PSF LATERAL.

2.03 BASIC WIND DESIGN VELOCITY OF 120 MPH.

2.04 SOIL BEARING CAPACITY 2000 PSF (PRESUMPTIVE).

PART 3: STRUCTURAL STEEL

3.01 WIDE FLANGE BEAMS AND TEE SECTIONS SHALL CONFORM TO ASTM A992 MINIMUM GRADE.

3.02 SQUARE AND RECTANGULAR TUBING SHALL CONFORM TO ASTM A500 GRADE B MINIMUM GRADE.

3.03 STEEL PIPE SHALL CONFORM TO ASTM A53 GRADE B, TYPE S, MINIMUM GRADE.

3.04 ALL OTHER STRUCTURAL STEEL SHALL CONFORM TO ASTM A36 MINIMUM GRADE.

3.05 STRUCTURAL STEEL CONSTRUCTION SHALL MEET THE REQUIREMENTS OF THE AISC SPECIFICATION FOR THE DESIGN, FABRICATION AND ERECTION OF STRUCTURAL STEEL FOR BUILDINGS.

PART 4: WELDING

4.01 WELDING ELECTRODES SHALL BE E70XX AND ALL WELDING SHALL BE PERFORMED BY AN AWS CERTIFIED WELDER.

PART 5: CONCRETE AND SLABS ON GRADE

5.01 CAST IN PLACE CONCRETE SHALL BE OF NORMAL WEIGHT, 6% AIR ENTRAINMENT, AND SHALL HAVE A MINIMUM COMPRESSIVE STRENGTH OF 3000 PSI AT 28 DAYS TYP UNO. ALL CONCRETE, INCLUDING CONCRETE FOR FOOTINGS, IS TO BE CAST IN PLACE, TYP UNO.

5.02 REINFORCED CAST IN PLACE CONCRETE SHALL BE PROPORTIONED, MIXED AND PLACED IN ACCORDANCE WITH THE SPECIFICATIONS OF ACI 318, LATEST EDITION.

5.03 SLABS ON GRADE, IF ANY, SHALL CONTAIN SYNTHETIC POLYPROPYLENE FIBRILLATED MICRO FIBERS, FIBER LENGTH 1 1/2", DOSAGE RATE 1 1/2 LBS/CU YD. SLAB TO BE PLACED ON 4 #4 MI. VAPOR BARRIER OR 2" MIN GRANULAR FILL ON SOIL WITH 90% MIN STANDARD PROCTOR DENSITY. VAPOR BARRIER MAY BE OMITTED FOR SLABS NOT IN ENCLOSED AREAS.

PART 6: REBAR AND WIRE REINFORCEMENT

6.01 REBAR SHALL BE DEFORMED STEEL CONFORMING TO ASTM A615 GRADE 60 TYP UNO.

6.02 LAP SPLICES SHALL BE CLASS B AS DEFINED BY ACI 318, TYP UNO.

6.03 WIRE REINFORCEMENT SHALL BE 9 GA AND SHALL CONFORM TO ASTM A1064.

PART 7: MASONRY

7.01 CONCRETE MASONRY UNITS SHALL CONFORM TO ASTM C90 AND C55, NORMAL WEIGHT, 1M = 1,500 PSI MIN.

7.02 CLAY MASONRY UNITS SHALL CONFORM TO ASTM C62-17 GRADE SW.

7.03 MORTAR SHALL BE TYPE S. MORTAR AND GROUT SHALL CONFORM TO ASTM C476, MIN COMPRESSIVE STRENGTH OF 2000 PSI.

7.04 MASONRY CONSTRUCTION SHALL CONFORM TO THE SPECIFICATIONS OF ACI 530.

7.05 LADDER WIRE REINFORCEMENT SHALL CONFORM TO ASTM A951. 6" MIN LAPS FOR CONTINUOUS WALL APPLICATIONS.

PART 8: BOLTS AND LAG SCREWS

8.01 BOLTS SHALL CONFORM TO ASTM A307 MINIMUM GRADE TYP UNO. INSTALL STANDARD STEEL WASHERS (ASTM F844-07a) FOR THE NUT / BOLT HEAD WHEN BOLTING WOOD MEMBERS.

8.02 LAG SCREWS SHALL CONFORM TO ANS/ASME STANDARD B18.2.1-1981. PILOT HOLES SHALL BE USED FOR LAG SCREW INSTALLATION AND SHALL BE BORED ACCORDING TO MFG SPECIFICATIONS. INSTALL STANDARD STEEL WASHERS (ASTM F844-07a) FOR SCREW HEAD.

8.03 ANCHOR RODS AND BOLTS SHALL CONFORM TO ASTM F1554-15 GRADE 36 UNO. BENT ANCHOR BOLTS SHALL HAVE A 2" MIN HOOK UNO.

PART 9: DRIVEN FASTENERS

9.01 NAILS, SPIKES AND STAPLES SHALL CONFORM TO ASTM F 1667- 05. NAILS ARE TO BE COMMON WIRE OR BOX.

PART 10: DIMENSIONAL LUMBER

10.01 SOLID SAWN WOOD FRAMING DESIGN IS BASED ON NO. 2 SPRUCE PINE FIR OR SYP #2 FOR JOISTS, RAFTERS, GIRDERS, BEAMS, STUDS, ETC.

PART 11: ENGINEERED LUMBER

11.01 LVL OR PSL MINIMUM ALLOWABLE DESIGN STRESSES ARE AS FOLLOWS:
E = 1.9 X 10⁶ PSI, F_b = 2600 PSI, F_v = 285 PSI, F_c = 750 PSI
LSL MINIMUM ALLOWABLE DESIGN STRESSES ARE AS FOLLOWS:
E = 1.3 X 10⁶ PSI, F_b = 1700 PSI, F_v = 400 PSI, F_c = 680 PSI

NOTES

11.02 LVL OR PSL MEMBERS MAY BE RIPPE FROM DEEPER MEMBERS TO MATCH THE MEMBER DEPTH SPECIFIED IN THE PLANS.

PART 12: PRESSURE TREATED LUMBER

12.01 LUMBER IN CONTACT WITH THE GROUND, CONCRETE OR MASONRY SHALL BE PRESSURE TREATED IN ACCORDANCE WITH AWPA STANDARD C-15. ALL OTHER EXPOSED LUMBER SHALL BE TREATED IN ACCORDANCE WITH AWPA STANDARD C-2 OR BY ANY METHOD GIVING EQUAL PROTECTION. THE BUILDING CODE OFFICE MAY ALSO APPROVE A NATURAL DECAY RESISTANT WOOD PER SECTION 19-6(A).

PART 13: STEEL FLITCH PLATE BEAMS

13.01 FLITCH PLATE BEAMS SHALL CONSIST OF A CONTINUOUS STEEL PLATE BOLTED BETWEEN TWO PIECES OF CONTINUOUS LUMBER AS SIZED ON THE PLANS. BOLT PICES TOGETHER USING 1/2" Ø BOLTS SPACED AT 24" O.C. STAGGERED TOP TO BOTTOM OF THE BEAM. MAINTAIN A 2" EDGE DISTANCE. PLACE TWO BOLTS, ONE ABOVE THE OTHER, 6" ± 2" FROM EACH END OF THE BEAM.

PART 14: STUD SUPPORTS FOR BEAMS

14.01 STEEL ENGINEERED LUMBER, AND FLITCH PLATE BEAMS BEARING ON A STUD WALL SHALL BEAR AS FOLLOWS:

1-WHEN THE BEAM IS PERPENDICULAR TO, OR SKEWED RELATIVE TO THE WALL, THE BEAM SHALL BEAR FULL WIDTH ON THE SUPPORTING WALL INDICATED AND SHALL BE SUPPORTED BY A MINIMUM OF THREE GANGED STUDS, OR A GANGED STUD COLUMN WITH A NUMBER OF STUDS SUCH THAT THE STUD COLUMN IS AT LEAST AS WIDE AS THE TRUE WIDTH OF THE BEAM BEING SUPPORTED, WHICHEVER IS GREATER, TYP UNO. FOR THE SKEWED CONDITION PARTICULAR CARE SHALL BE TAKEN TO ENSURE STUD COLUMN IS CENTERED ON THE BEAM.

2-BEAMS BEARING ONTO THE END OF A STUD WALL PARALLEL TO THE BEAM SHALL BEAR A MINIMUM OF 4 1/2" ONTO THE WALL AND BE SUPPORTED BY A TRIP STUD GANGED COLUMN TYP UNO.

14.02 DIMENSIONAL LUMBER BEAMS BEARING ON A STUD WALL SHALL BEAR AS FOLLOWS:

1-WHEN THE BEAM IS PERPENDICULAR TO, OR SKEWED RELATIVE TO THE WALL, THE BEAM SHALL BEAR FULL WIDTH ON THE SUPPORTING WALL INDICATED (LESS 1 1/2" TO ALLOW FOR A CONTINUOUS RIM JOIST WHERE APPLICABLE) AND SHALL BE SUPPORTED BY A GANGED STUD COLUMN THE SAME WIDTH AS THE BEAM TYP UNO. (E.G. A TRIPLE 2X10 IS TO BE SUPPORTED BY (3) STUDS). FOR THE SKEWED CONDITION PARTICULAR CARE SHALL BE TAKEN TO ENSURE STUD COLUMN IS CENTERED ON THE BEAM.

2-BEAMS BEARING ONTO THE END OF A STUD WALL PARALLEL TO THE BEAM SHALL BEAR A MINIMUM OF 3" ONTO THE WALL AND BE SUPPORTED BY A DBL STUD GANGED COLUMN TYP UNO.

14.03 EXTRA JOISTS BEARING ON A STUD WALL PERPENDICULAR TO OR SKEWED RELATIVE TO THE BEAM SHALL BE SUPPORTED BY ONE ADDITIONAL STUD.

14.04 STUDS THAT ARE GANGED TO FORM A COLUMN SHALL HAVE ADJACENT STUDS WITHIN THE COLUMN NAILED TOGETHER WITH ONE ROW OF 10d NAILS AT 8" O.C. (TWO ROWS OF 10d NAILS @ 8" O.C., 3" APART, FOR 2X8 OR 2X10 STUDS) ALL COLUMNS SHALL BE CONTINUOUS DOWN TO THE FOUNDATION OR OTHER PROPERLY DESIGNED STRUCTURAL ELEMENT SUCH AS A BEAM. COLUMNS TRANSFERRING LOADS THROUGH FLOOR LEVELS SHALL BE SOLIDLY BLOCKED FOR THE FULL WIDTH OF THE STUD COLUMN WITHIN THE CAVITY FORMED BY THE FLOOR JOISTS.

PART 15: NAILING OF MULTI-PLY WOOD BEAMS

15.01 SOLID SAWN LUMBER JOISTS THAT ARE GANGED TO FORM A BEAM SHALL HAVE ADJACENT MEMBERS IN THE BEAM NAILED TOGETHER WITH THREE ROWS OF 10d NAILS @ 16" O.C. FOR 2X10 OR LARGER, TWO ROWS OF 10d NAILS @ 16" O.C. FOR 2X8, ONE ROW OF 10d NAILS @ 16" O.C. FOR 2X6 OR SMALLER. STAGGER ROWS 5" MIN.

15.02 LVL MEMBERS THAT ARE GANGED TO FORM A BEAM SHALL HAVE ADJACENT MEMBERS IN THE BEAM FASTENED TOGETHER PER MANUFACTURERS RECOMMENDATIONS, TYP UNO.

PART 16: WALL FRAMING AND BRACING

16.01 STUD WALLS SHALL CONSIST OF 2X4 STUDS SPACED AT 16" O.C. UNO. STUDS SHALL BE CONTINUOUS FROM SOLE PLATE AT FLOOR TO DOUBLE TOP PLATE AT THE CEILING OR ROOF. NO INTERMEDIATE BANDS OR PLATES SHALL CAUSE DISCONTINUITIES IN A STUD WALL EXCEPT AS REQUIRED FOR DOOR OR WINDOW OPENINGS. THE KING STUDS FOR SUCH OPENINGS SHALL BE CONTINUOUS, TYP UNO.

MAX ALLOWABLE WALL HEIGHTS FOR EXTERIOR STUD WALLS, INCLUSIVE OF SOLE PLATE AND DBL TOP PLATE AND 7/16" OSB EXTERIOR BRACING AND ROW OF 2X4 2X6 PURLINS AT 8' HEIGHT (AND AT 16' HEIGHT FOR TALL WALLS), TYP UNO:
2x4 @ 16" O.C.: 11'-1 1/2" 2x6 @ 16" O.C.: 17'-0"
2x4 @ 12" O.C.: 12'-1 1/2" 2x6 @ 12" O.C.: 16'-8"
DBL 2x4 @ 16" O.C.: 13'-4" DBL 2x6 @ 16" O.C.: 21'-0"

16.02 FOR WALL BRACING THE FOLLOWING SHALL APPLY:
-BLOCKING AT UNSUPPORTED PANEL EDGES IS REQUIRED TYP UNO.
-WALL BRACING IS BY ENGINEERED DESIGN AND NOT PRESCRIPTIVE PER SECTION 602.10 OF THE 2018 NCR. CONTINUOUS SHEATHING HAS BEEN PROVIDED, ALONG WITH ALTERNATIVE METHODS TO INSURE THE MINIMUM INTENT OF SECTION 602.10 OF THE 2018 NCR HAS BEEN MET AND EXCEEDED.
-BRACED WALL PANELS SHALL BE FASTENED IN ACCORDANCE WITH TABLE 602.3(1) TO PROVIDE CONTINUOUS PANEL UPLIFT RESISTANCE AND COMPLIANCE WITH NCRRC R602.3.5 AND R802.11 UNLESS NOTED OTHERWISE ON STRUCTURAL PLANS.
-MAY SUBSTITUTE WSP FOR OSB
-SINGLE JOIST, CONTINUOUS RIM JOIST, OR BLOCKING OF EQUAL DEPTH IS REQUIRED ABOVE AND BELOW ALL BRACED WALLS. NAIL BLOCKING ABOVE WALL TO TOP PLATE WITH 16d TOE NAILS @ 6" O.C. NAIL SOLE PLATE OF BRACED WALL TO BLOCKING BELOW WITH (3) 16d NAILS @ 16" O.C. BLOCKING AT HORIZONTAL JOINTS IN BRACED WALL LINES ONLY REQUIRED AT SHADED WALLS, UNO.

PART 17: KING STUDS

17.01 KING STUDS FOR OPENINGS IN EXTERIOR WALLS SHALL BE AS FOLLOWS:

| MAX OPENING WIDTH | NUMBER OF KING STUDS | | | | |
|-------------------|----------------------|-------|--------|--------|--------|
| | 5'-0" | 9'-0" | 13'-0" | 17'-0" | 21'-0" |
| 2x4 | 1 | 2 | 3 | 4 | 5 |
| 2x6 | 1 | 1 | 2 | 1 | 2 |
| 2x8 | 1 | 1 | 1 | 1 | 2 |

PART 18: SUBSTITUTIONS

18.01 MATERIAL OR MEMBER SIZE SUBSTITUTIONS OR PLAN DEVIATIONS REQUIRE THE WRITTEN AUTHORIZATION OF THE DESIGNERS. UNAUTHORIZED DEVIATIONS ARE THE SOLE RESPONSIBILITY OF THE CONTRACTOR.

PART 19: OWNERSHIP OF STRUCTURAL DESIGN

19.01 THE STRUCTURAL DESIGN OF THIS PLAN IS THE PROPERTY OF ENGINEERING TECH ASSOCIATES (ETA). THESE PLANS ARE FOR THE ONE TIME USE AT THE LOCATION INDICATED AND FOR THE CLIENT LISTED. ETA ASSUMES NO LIABILITY FOR THESE PLANS IF THEY ARE REPRODUCED, IN WHOLE OR IN PART, FOR CONSTRUCTION AT ANY OTHER LOCATION WITHOUT WRITTEN PERMISSION FROM ETA.

ABBREVIATIONS

| | | |
|-------------------------|----------------------------|----------------------------|
| ABV ABOVE | FND FOUNDATION | TJ TRIPLE JOIST |
| B. BOTH ENDS | FTG FOOTING | TYP TYPICAL |
| B.E. BETWEEN | HDC HOT DIPPED | TRPL TRIPLE |
| BTWN BETWEEN | GALV GALVANIZED | TSP TRIPLE STUD POCKET |
| CP CAST IN PLACE | HGR HANGER | UNO UNLESS NOTED OTHERWISE |
| CONC CONCRETE | LVL LAMINATED VENER LUMBER | XJ EXTRA JOIST |
| CS CONTINUOUS SHEATHING | NLS NOT TO SCALE | |
| DIA DIAMETER | O.C. ON CENTER | |
| DBL DOUBLE | PSL PARALLEL STRAND LUMBER | |
| DSP DBL STUD POCKET | PT PRESSURE TREATED | |
| EQ EQUAL | QJ QUAD JOIST | |
| EA EACH | SP STUD POCKET | |
| FLG FLANGE | SQ SQUARE | |
| FL FL | | |
| FLR FLOOR | | |

ALLOWABLE I-JOIST SUBSTITUTION

NOTE: MAINTAIN JOIST DEPTH, DIRECTION, AND SPACING SPECIFIED ON PLANS.

| MANUFACTURER | DEPTH | SERIES | SIMPSON FACE MOUNT HGR | SIMPSON TOP FLANGE HGR |
|---------------------|---------|-----------|------------------------|------------------------|
| BLUELINE | 11.875" | BLI 40 | IUS2.56/11.88 | ITS2.56/11.88 |
| BOISE CASCADE | 11.875" | BCI 5000s | IUS2.06/11.88 | ITS2.06/11.88 |
| BOISE CASCADE | 11.875" | BCI 6000s | IUS2.37/11.88 | ITS2.37/11.88 |
| INTERNATIONAL BEAMS | 11.875" | IB 400 | IUS2.56/11.88 | ITS2.56/11.88 |
| LP CORP | 11.875" | LPI 20+ | IUS2.56/11.88 | ITS2.56/11.88 |
| NORDIC | 11.875" | NI 40X | IUS2.56/11.88 | ITS2.56/11.88 |
| ROSEBURG | 11.875" | RFP1 40s | IUS2.56/11.88 | ITS2.56/11.88 |
| WEYERHAEUSER | 11.875" | TJ 210 | IUS2.06/11.88 | ITS2.06/11.88 |
| WEYERHAEUSER | 11.875" | EEI-20 | IUS2.37/11.88 | ITS2.37/11.88 |

DECK SPECIFICATIONS

1. A DECK IS AN EXPOSED EXTERIOR WOOD FLOOR STRUCTURE WHICH MAY BE ATTACHED TO A STRUCTURE OR BE FREE STANDING. ROOFED PORCHES, OPEN OR SCREENED IN, MAY BE CONSTRUCTED USING THESE PROVISIONS.

2. SUPPORT POSTS SHALL BE SUPPORTED BY A FOOTING.

3. WHEN ATTACHED TO A STRUCTURE, THE STRUCTURE TO WHICH ATTACHED SHALL HAVE A TREATED WOOD BAND FOR THE LENGTH OF THE DECK, OR CORROSION RESISTANT FLASHING SHALL BE USED TO PREVENT MOISTURE FROM COMING IN CONTACT WITH THE UNTREATED FRAMING OF THE STRUCTURE. THE DECK BAND AND THE STRUCTURE BAND SHALL BE CONSTRUCTED IN CONTACT WITH EACH OTHER EXCEPT AT BRICK VENER AND WHERE PLYWOOD SHEATHING IS REQUIRED AND PROPERLY FLASHED. SIDING SHALL NOT BE INSTALLED BETWEEN THE STRUCTURE AND THE DECK BAND. IF ATTACHED TO A BRICK STRUCTURE, NEITHER FLASHING NOR A TREATED BAND FOR THE BRICK STRUCTURE IS REQUIRED. IN ADDITION, THE TREATED DECK BAND SHALL BE CONSTRUCTED IN CONTACT WITH THE BRICK.

4. WHEN THE DECK IS SUPPORTED AT THE STRUCTURE BY ATTACHING THE DECK TO THE STRUCTURE, THE FOLLOWING ATTACHMENT SCHEDULES SHALL APPLY FOR ATTACHING THE DECK BAND TO THE ATTACHMENT:

| JOIST LENGTH | |
|--------------------|---|
| UP TO 8' MAX. | UP TO 16' MAX. |
| REQUIRED FASTENERS | ONE - 5/8" Ø BOLT @ 42" O.C. AND (2) ROWS OF 12d NAILS @ 8" O.C. OR TWO ROWS OF SIMPSON SDWS224008 @ Ø = 32" O.C. STAGGERED |
| | ONE - 5/8" Ø BOLT @ 20" O.C. AND (2) ROWS OF 12d NAILS @ 6" O.C. OR TWO ROWS OF SIMPSON SDWS224008 @ Ø = 16" O.C. STAGGERED |

A. BRICK VENER STRUCTURES

| JOIST LENGTH | |
|--------------------|------------------------------|
| UP TO 8' MAX. | UP TO 16' MAX. |
| REQUIRED FASTENERS | ONE - 5/8" Ø BOLT @ 28" O.C. |
| | ONE - 5/8" Ø BOLT @ 16" O.C. |

5. IF THE DECK BAND IS SUPPORTED BY A 1/2" MINIMUM MASONRY LEDGE ALONG THE FOUNDATION WALL, 5/8" Ø BOLTS SPACED @ 48" O.C. MAY BE USED FOR SUPPORT.

6. OTHER MEANS OF SUPPORT, SUCH AS JOIST HANGERS, MAY BE USED TO CONNECT DECK JOISTS TO A TREATED STRUCTURE BAND.

7. GIRDERS SHALL BEAR DIRECTLY ON POSTS OR BE CONNECTED TO THE SIDES OF POSTS WITH 2 - 5/8" Ø BOLTS.

8. FLOOR DECKING SHALL BE NO. 2 GRADE TREATED SOUTHERN PINE OR EQUIVALENT. THE MINIMUM FLOOR DECKING THICKNESS SHALL BE AS FOLLOWS:

| POST SIZE | TRIBUT. AREA | POST HEIGHT | EMB. DEPTH | CONC. DIAM. |
|-----------|--------------|-------------|------------|-------------|
| 4x4 | 48 SQ. FT. | 4'-0" | 2'-6" | 1'-0" |
| 6x6 | 120 SQ. FT. | 6'-0" | 3'-6" | 1'-8" |

D. 2X6 DIAGONAL VERTICAL CROSS BRACING SHALL BE PROVIDED IN TWO PERPENDICULAR DIRECTIONS FOR FREE STANDING DECKS OR PARALLEL TO THE STRUCTURE AT THE EXTERIOR COLUMN LINE FOR ATTACHED DECKS. THE BRACES SHALL BE ATTACHED TO THE POSTS WITH ONE - 5/8" Ø BOLT AT EACH END OF THE BRACE.

NOTES: 1) ALL NAILS AND BOLTS ARE TO BE HOT DIPPED GALVANIZED.
2) MINIMUM EDGE DISTANCE FOR BOLTS IS 2 1/2".
3) NAILS MUST PENETRATE THE SUPPORTING STRUCTURE BAND A MINIMUM OF 1 1/2".

ABBREVIATIONS

| | | |
|-------------------------|----------------------------|----------------------------|
| ABV ABOVE | FND FOUNDATION | TJ TRIPLE JOIST |
| B. BOTH ENDS | FTG FOOTING | TYP TYPICAL |
| B.E. BETWEEN | HDC HOT DIPPED | TRPL TRIPLE |
| BTWN BETWEEN | GALV GALVANIZED | TSP TRIPLE STUD POCKET |
| CP CAST IN PLACE | HGR HANGER | UNO UNLESS NOTED OTHERWISE |
| CONC CONCRETE | LVL LAMINATED VENER LUMBER | XJ EXTRA JOIST |
| CS CONTINUOUS SHEATHING | NLS NOT TO SCALE | |
| DIA DIAMETER | O.C. ON CENTER | |
| DBL DOUBLE | PSL PARALLEL STRAND LUMBER | |
| DSP DBL STUD POCKET | PT PRESSURE TREATED | |
| EQ EQUAL | QJ QUAD JOIST | |
| EA EACH | SP STUD POCKET | |
| FLG FLANGE | SQ SQUARE | |
| FL FL | | |
| FLR FLOOR | | |

1. A DECK IS AN EXPOSED EXTERIOR WOOD FLOOR STRUCTURE WHICH MAY BE ATTACHED TO A STRUCTURE OR BE FREE STANDING. ROOFED PORCHES, OPEN OR SCREENED IN, MAY BE CONSTRUCTED USING THESE PROVISIONS.

2. SUPPORT POSTS SHALL BE SUPPORTED BY A FOOTING.

3. WHEN ATTACHED TO A STRUCTURE, THE STRUCTURE TO WHICH ATTACHED SHALL HAVE A TREATED WOOD BAND FOR THE LENGTH OF THE DECK, OR CORROSION RESISTANT FLASHING SHALL BE USED TO PREVENT MOISTURE FROM COMING IN CONTACT WITH THE UNTREATED FRAMING OF THE STRUCTURE. THE DECK BAND AND THE STRUCTURE BAND SHALL BE CONSTRUCTED IN CONTACT WITH EACH OTHER EXCEPT AT BRICK VENER AND WHERE PLYWOOD SHEATHING IS REQUIRED AND PROPERLY FLASHED. SIDING SHALL NOT BE INSTALLED BETWEEN THE STRUCTURE AND THE DECK BAND. IF ATTACHED TO A BRICK STRUCTURE, NEITHER FLASHING NOR A TREATED BAND FOR THE BRICK STRUCTURE IS REQUIRED. IN ADDITION, THE TREATED DECK BAND SHALL BE CONSTRUCTED IN CONTACT WITH THE BRICK.

4. WHEN THE DECK IS SUPPORTED AT THE STRUCTURE BY ATTACHING THE DECK TO THE STRUCTURE, THE FOLLOWING ATTACHMENT SCHEDULES SHALL APPLY FOR ATTACHING THE DECK BAND TO THE ATTACHMENT:

| JOIST LENGTH | |
|--------------------|---|
| UP TO 8' MAX. | UP TO 16' MAX. |
| REQUIRED FASTENERS | ONE - 5/8" Ø BOLT @ 42" O.C. AND (2) ROWS OF 12d NAILS @ 8" O.C. OR TWO ROWS OF SIMPSON SDWS224008 @ Ø = 32" O.C. STAGGERED |
| | ONE - 5/8" Ø BOLT @ 20" O.C. AND (2) ROWS OF 12d NAILS @ 6" O.C. OR TWO ROWS OF SIMPSON SDWS224008 @ Ø = 16" O.C. STAGGERED |

A. BRICK VENER STRUCTURES

| JOIST LENGTH | |
|--------------------|------------------------------|
| UP TO 8' MAX. | UP TO 16' MAX. |
| REQUIRED FASTENERS | ONE - 5/8" Ø BOLT @ 28" O.C. |
| | ONE - 5/8" Ø BOLT @ 16" O.C. |

5. IF THE DECK BAND IS SUPPORTED BY A 1/2" MINIMUM MASONRY LEDGE ALONG THE FOUNDATION WALL, 5/8" Ø BOLTS SPACED @ 48" O.C. MAY BE USED FOR SUPPORT.

6. OTHER MEANS OF SUPPORT, SUCH AS JOIST HANGERS, MAY BE USED TO CONNECT DECK JOISTS TO A TREATED STRUCTURE BAND.

7. GIRDERS SHALL BEAR DIRECTLY ON POSTS OR BE CONNECTED TO THE SIDES OF POSTS WITH 2 - 5/8" Ø BOLTS.

8. FLOOR DECKING SHALL BE NO. 2 GRADE TREATED SOUTHERN PINE OR EQUIVALENT. THE MINIMUM FLOOR DECKING THICKNESS SHALL BE AS FOLLOWS:

| POST SIZE | TRIBUT. AREA | POST HEIGHT | EMB. DEPTH | CONC. DIAM. |
|-----------|--------------|-------------|------------|-------------|
| 4x4 | 48 SQ. FT. | 4'-0" | 2'-6" | 1'-0" |
| 6x6 | 120 SQ. FT. | 6'-0" | 3'-6" | 1'-8" |

D. 2X6 DIAGONAL VERTICAL CROSS BRACING SHALL BE PROVIDED IN TWO PERPENDICULAR DIRECTIONS FOR FREE STANDING DECKS OR PARALLEL TO THE STRUCTURE AT THE EXTERIOR COLUMN LINE FOR ATTACHED DECKS. THE BRACES SHALL BE ATTACHED TO THE POSTS WITH ONE - 5/8" Ø BOLT AT EACH END OF THE BRACE.

NOTES: 1) ALL NAILS AND BOLTS ARE TO BE HOT DIPPED GALVANIZED.
2) MINIMUM EDGE DISTANCE FOR BOLTS IS 2 1/2".
3) NAILS MUST PENETRATE THE SUPPORTING STRUCTURE BAND A MINIMUM OF 1 1/2".

NOTE: MAINTAIN JOIST DEPTH, DIRECTION, AND SPACING SPECIFIED ON PLANS.

| MANUFACTURER | DEPTH | SERIES | SIMPSON FACE MOUNT HGR | SIMPSON TOP FLANGE HGR |
|---------------------|---------|-----------|------------------------|------------------------|
| BLUELINE | 11.875" | BLI 40 | IUS2.56/11.88 | ITS2.56/11.88 |
| BOISE CASCADE | 11.875" | BCI 5000s | IUS2.06/11.88 | ITS2.06/11.88 |
| BOISE CASCADE | 11.875" | BCI 6000s | IUS2.37/11.88 | ITS2.37/11.88 |
| INTERNATIONAL BEAMS | 11.875" | IB 400 | IUS2.56/11.88 | ITS2.56/11.88 |
| LP CORP | 11.875" | LPI 20+ | IUS2.56/11.88 | ITS2.56/11.88 |
| NORDIC | 11.875" | NI 40X | IUS2.56/11.88 | ITS2.56/11.88 |
| ROSEBURG | 11.875" | RFP1 40s | IUS2.56/11.88 | ITS2.56/11.88 |
| WEYERHAEUSER | 11.875" | TJ 210 | IUS2.06/11.88 | ITS2.06/11.88 |
| WEYERHAEUSER | 11.875" | EEI-20 | IUS2.37/11.88 | ITS2.37/11.88 |

ALLOWABLE I-JOIST SUBSTITUTION

NOTE: MAINTAIN JOIST DEPTH, DIRECTION, AND SPACING SPECIFIED ON PLANS.

| MANUFACTURER | DEPTH | SERIES | SIMPSON FACE MOUNT HGR | SIMPSON TOP FLANGE HGR |
|---------------------|---------|-----------|------------------------|------------------------|
| BLUELINE | 11.875" | BLI 40 | IUS2.56/11.88 | ITS2.56/11.88 |
| BOISE CASCADE | 11.875" | BCI 5000s | IUS2.06/11.88 | ITS2.06/11.88 |
| BOISE CASCADE | 11.875" | BCI 6000s | IUS2.37/11.88 | ITS2.37/11.88 |
| INTERNATIONAL BEAMS | 11.875" | IB 400 | IUS2.56/11.88 | ITS2.56/11.88 |
| LP CORP | 11.875" | LPI 20+ | IUS2.56/11.88 | ITS2.56/11.88 |
| NORDIC | 11.875" | NI 40X | IUS2.56/11.88 | ITS2.56/11.88 |
| ROSEBURG | 11.875" | RFP1 40s | IUS2.56/11.88 | ITS2.56/11.88 |
| WEYERHAEUSER | 11.875" | TJ 210 | IUS2.06/11.88 | ITS2.06/11.88 |
| WEYERHAEUSER | 11.875" | EEI-20 | IUS2.37/11.88 | ITS2.37/11.88 |

NOTE: MAINTAIN JOIST DEPTH, DIRECTION, AND SPACING SPECIFIED ON PLANS.

| MANUFACTURER | DEPTH | SERIES | SIMPSON FACE MOUNT HGR | SIMPSON TOP FLANGE HGR |
|---------------------|---------|-----------|------------------------|------------------------|
| BLUELINE | 11.875" | BLI 40 | IUS2.56/11.88 | ITS2.56/11.88 |
| BOISE CASCADE | 11.875" | BCI 5000s | IUS2.06/11.88 | ITS2.06/11.88 |
| BOISE CASCADE | 11.875" | BCI 6000s | IUS2.37/11.88 | ITS2.37/11.88 |
| INTERNATIONAL BEAMS | 11.875" | IB 600 | IUS2.56/11.88 | ITS2.56/11.88 |
| LP CORP | 11.875" | LPI 20+ | IUS2.56/11.88 | ITS2.56/11.88 |
| NORDIC | 11.875" | NI 40X | IUS2.56/11.88 | ITS2.56/11.88 |
| ROSEBURG | 11.875" | RFP1 60s | IUS2.56/11.88 | ITS2.56/11.88 |
| WEYERHAEUSER | 11.875" | TJ 210 | IUS2.06/11.88 | ITS2.06/11.88 |
| WEYERHAEUSER | 11.875" | EEI-30 | IUS2.37/11.88 | ITS2.37/11.88 |

The structural design of this plan is the property of Engineering Tech Associates, P.A. These plans are for the one time use at the location and for the client listed. Engineering Tech Associates, P.A. assumes no liability for these plans if they are reproduced, in whole or in part, for construction at any other location without written permission from Engineering Tech Associates, P.A.

