

# The Carolina WDC-1966

Heated Sq Ft		Unheated Sq Ft	
First Floor	1886 Sq Ft	Garage	460 Sq Ft
		Porch	244 Sq Ft
		Patio	240 Sq Ft
<b>Total</b>	<b>1886 Sq Ft</b>		<b>944 Sq Ft</b>

IT IS THE SOLE RESPONSIBILITY OF THE CONTRACTOR AND/OR BUILDER TO CONFORM TO ALL STANDARDS, PROVISIONS, REQUIREMENTS, METHODS OF CONSTRUCTION AND USES OF MATERIALS, IN BUILDING CODES ANY OTHER LOCAL AGENCIES AND IN ACCORDANCE WITH GOOD ENGINEERING AND CONSTRUCTION PRACTICES.

I CERTIFY THAT THE CONSTRUCTION EXHIBITS FOR (IDENTIFICATION OF THE PROPERTY BY HOUSE TYPE, LOT, BLOCK, SUBDIVISION NAME, AND SO ON) MEET ALL LOCAL CODE REQUIREMENTS AND ARE IN SUBSTANTIAL CONFORMITY WITH BOTH SAH AND VA MINIMUM PROPERTY REQUIREMENTS. ALL BUILDING STANDARDS AS SET FORTH BY THE INTERNATIONAL CODE COUNCIL (ICC) AND FEDERAL SAFE DRINKING WATER PLUMBING STANDARD.

DESIGNED BY:  
TIMOTHY PEPPERS JR.  
RESIDENTIAL DESIGN  
CONSULTANT

CAMERON  
NORTH CAROLINA  
(910) 644-4587

### PROPERTY OF TPJR

DRAWINGS AND SPECIFICATIONS AS INSTRUMENTS OF SERVICE ARE AND SHALL REMAIN PROPERTY OF THE DESIGNER WHETHER THE PROJECT FOR WHICH THEY ARE MADE FOR IS EXECUTED OR NOT. THE DRAWINGS AND SPECIFICATIONS SHALL NOT BE USED BY THE OWNER ON OTHER PROJECTS FOR ADDITIONS TO THIS PROJECT OR FOR COMPLETION OF THIS PROJECT BY OTHERS EXCEPT BY AGREEMENT IN WRITING WITH THE APPROPRIATE COMPENSATION TO THE DESIGNER.



1 3D View 1

### Floor Plan Notes:

- All structural information shown is for reference purposes only. Contractor shall have licensed structural engineer review and design all structural elements such as all framing walls, beams, connections, headers, joists and rafters.
- All dimensions are from center line of stud to face of exterior stud unless noted otherwise.
- Window sizes indicated on plans are noted by approximate rough opening size. Refer to plans and exterior elevations for window types.
- Coordinate location of utility meters with site plan and locate away from public view visual impact shall be minimized, i.e. mount as low as possible.
- Prefabricated fireplace construction shall meet or exceed all applicable codes regarding use of fire separations, clearances, etc. It is all items and contractor's responsibility to ensure that all items and construction meet or exceed the applicable code. Overall flue height shall be coordinated to match height shown on plans and shall not exceed the top of chimney chase as constructed.
- Constructor shall coordinate all closet shelving requirements.
- Do not scale drawings. Follow dimensions only.
- Contractor shall field verify all cabinet dimensions before fabrication.
- Bedroom windows shall have a minimum net clear opening of 5.7 sq. ft. A minimum net clear openable width of 20". A minimum net clear openable height of 24" and have a maximum finish sill height of 43" from finish floor.
- All glass located within 18" of floor, 12" of a door or located within 60" of floor at bathtubs, whirlpools, showers, saunas, steam rooms or hot tubs shall be tempered.
- All exposed insulation shall have a flame spread rating of less than 25 and a smoke density rating of less than 450.
- Provide combustion air vents, with screen and back damper, for fireplaces, wood stoves and any appliance with an open flame.
- Bathrooms and utility rooms shall be vented to the outside with a minimum of a 90 cfm fan. Range hoods shall also be vented to outside.
- Attic HVAC units shall be located within 20'-0" of its service opening. Return air grilles shall not be located within 10'-0" of a gas fired appliance.
- All walls and ceilings in garage and garage storage areas to have 5/8" Type-X gyp. brd. with 1-Hour fire rating. All exterior doors in garage to be metal or solid core doors including doors entering heat/cooled portion of residence.
- All fireplace chase walls shall be insulated inside and outside. Provide horizontal "Draft Stops" at each floor level by packing 6" (R-19) insulation between 2X4 joists.
- All interior walls shall be covered with 1/2" gyp. brd., with metal corner reinforcing, tape float and sand. (3 coats) use 5/8" gyp. brd. on ceilings when supporting members are 24" O.C. or greater. Use 1/2" gyp. brd. on ceiling members less than 24" O.C.
- All bath and toilet area walls and ceiling shall have water resistant gyp. brd.

### Walls & Thicknesses

All walls are 3 1/2" thick 2x4 nominal studs SYP or SPF #2 @ 16 " O.C. unless otherwise noted.

Exterior walls are drawn to actual dimensions to include both interior and exterior finishes. Measurements to exterior walls are to the exterior face of wall stud.

Garage walls are drawn to actual dimensions. Measurements to exterior walls are to the exterior face of wall stud. Measurements to walls between the residence and the garage a to the face of the stud on the garage side.

Interior walls are drawn to actual dimension. Measurements to interior walls are to the center line of the wall.

### Dwelling/Garage Separation

#### REFER TO SECTIONS R302.5, R302.6, AND R302.7

**Walls.** A minimum 1/2" gypsum board must be installed on all walls supporting floor/ceiling assemblies used for separation required by this section.

**Stairs.** A minimum of 1/2" gypsum must be installed on the underside and exposed sides of all stairways.

**Ceilings.** A minimum of 1/2" gypsum must be installed on the garage ceiling if there is no habitable room above. If a habitable room is above, a minimum of 5/8" Type X gypsum board must be installed on the the garage ceiling.

**Opening Penetrations.** Openings between the garage and the residence shall be equipped with solid wood doors not less than 1 3/8 inches in thickness, solid or honeycomb core steel doors not less than 1 3/8 inches thick, or 20-minute fire-rated doors.

**Duct Penetrations.** Ducts in the garage and ducts penetrating the walls or ceilings sparation the dwelling from the garage shall be constructed of a minimum No. 26 gage sheet steel or other approved material and shall have no openings into the garage.

Other Penetrations. Penetrations through the separation required in Section R302.6 shall be protected as required by Section R302.11, Item 4.

### Attic Access

#### Section R807

**R807.1 Attic Access.** An attic access opening shall be provided to attic areas that exceed 400 square feet and have a vertical height of 60 inches or greater. The net clear opening shall not be less than 20 inches by 30 inches and shall be located in the hallway or other unobstructed area. Headroom in the attic space shall be provided at some point above the access opening. See Sectio M1305.1.3 for access requirements where mechanical equipment is located above attics.

### Exceptions:

- Concealed areas not located over the main structure including porches, areas behind knee walls, dormers, bay windows, etc. are not required to have access.
- Pull down stair treads, stringers, handrails, and hardware may protrude into the net clear area

### Carbon Monoxide Alarms

#### Section R315

**R315.1 Carbon Monoxide Alarms.** Inn new construction, dwelling units shall be provided with an approved carbon monoxide alarm installed outside of each separate sleeping area in the immediate vicinity of the bedroom(s) as directed by the alarm manufacturer.

**R315.2 Where Required In Existing Dwellings.** In existing dwellings, where interior alterations, repair, fuel-fired appliance replacements, or additions requiring a permit occurs, or where one or more sleeping rooms are added or created, carbon monoxide alarms shall be provided in accordance with Section R315.1.

**R315.3 Alarm Requirements.** The required carbon monoxide alarms shall be audible in all bedrooms over background noise levels with all intervening doors closed. Single station carbon monoxide alarms shall be listed as complying with UL2034 and shall be installed in accordance with this code and the manufacturer's installation instructions.

### Smoke Alarms

#### Section R314

**R314.1 Smoke Detection and Notification.** All smoke alarms shall be listed in accordance with UL 217 and installed in accordance with provisions of this code and the household fire warning equipment provisions fo NFPA 72.

**R314.2 Smoke Detection Systems.** Household fire alarm systems installed in accordance with NFPA 72 that include smoke alarms, or a combination of smoke detector and audible notification device installed as required by this section for smoke alarms, shall be permitted. The household fire alarm system shall provide the same level of smoke detection and alarm as required by this section for smoke alarms. Where a household fire warning system is installed using a combination of smoke detector and audible notification device(s), it shall become a permanent fixture of the occupancy and owned by the homeowner. The system shall be monitored by and approved supervising station and be maintained in accordance with NFPA72.

#### Exception:

Where smoke alarms are provided meeting the requirements of Section R314.4.

**R314.3 Location.** Smoke alarms shall be installed in the following locations.

- In each sleeping room.
- Outside each separate sleeping area in the immediate vicinity of the bedrooms.
- On each additional story of the dwelling, including basements and habitable attics (finished) but not including crawl spaces, uninhabitable (unfinished) attics and uninhabitable (unfinished) attic-stories. In dwellings or dwelling units with split levels and without an intervening door between the adjacent levels, a smoke alarm installed on the upper level shall suffice for the adjacent lower level provided that the lower level is less than one full story below the upper level.

When more than one smoke alarm is required to be installed within an individual dwelling unit the alarm devices shall be interconnected in such a manner that the actuation of one alarm will activate all of the alarms in the individual unit.

**R314.4 Power Source.** Smoke alarms shall receive their primary power from the building wiring when such wiring is served from a commercial source, and when primary power is interrupted, shall receive power from a battery. Wiring shall be permanent and without a disconnection switch other than those required for overcurrent protection. Smoke alarms shall be interconnected.

SCALE:

DATE:

March 22, 2024

Project number

092723000001

Drawn by

TP

Checked by

TP

C

Weaver Development Co., Inc.  
The Carolina

Sanford NC

Cover Sheet

**Floor Plan Notes:**

- All structural information shown is for reference purposes only. Contractor shall have licensed structural engineer review and design all structural elements such as all framing walls, beams, connections, headers, joists and rafters.
- All dimensions are from center line of stud to face of exterior stud unless noted otherwise.
- Window sizes indicated on plans are noted by approximate rough opening size. Refer to plans and exterior elevations for window types.
- Coordinate location of utility meters with site plan and locate away from public view visual impact shall be minimized, i.e. mount as low as possible.
- Prefabricated fireplace construction shall meet or exceed all applicable codes regarding use of fire separations, clearances, etc. It is all items and contractor's responsibility to ensure that all items and construction meet or exceed the applicable code. Overall flue height shall be coordinated to match height shown on plans and shall not exceed the top of chimney chase as constructed.
- Contractor shall coordinate all closet shelving requirements.
- Do not scale drawings. Follow dimensions only.
- Contractor shall field verify all cabinet dimensions before fabrication.
- Bedroom windows shall have a minimum net clear opening of 5.7 sq. ft. A minimum net clear openable width of 20". A minimum net clear openable height of 24" and have a maximum finish sill height of 43" from finish floor.
- All glass located within 18" of floor, 12" of a door located within 60" of floor at bathtubs, whirlpools, showers, saunas, steam rooms or hot tubs shall be tempered.
- All exposed insulation shall have a flame spread rating of less than 25 and a smoke density rating of less than 450.
- Provide combustion air vents, with screen and back damper, for fireplaces, wood stoves and any appliance with an open flame.
- Bathrooms and utility rooms shall be vented to the outside with a minimum of a 90 cfm fan. Range hoods shall also be vented to outside.
- Attic HVAC units shall be located within 20'-0" of its service opening. Return air grilles shall not be located within 10'-0" of a gas fired appliance.
- All walls and ceilings in garage and garage storage areas to have 5/8" Type-X gyp. brd. with 1-Hour fire rating. All exterior doors in garage to be metal or solid core doors including doors entering heat/cooled portion of residence.
- All fireplace chase walls shall be insulated inside and outside. Provide horizontal "Draft Stops" at each floor level by packing 6" (R-19) insulation between 2X4 joists.
- All interior walls shall be covered with 1/2" gyp. brd., with metal corner reinforcing, tape float and sand. (3 coats) use 5/8" gyp. brd. on ceilings when supporting members are 24" O.C. or greater. Use 1/2" gyp. brd. on ceiling members less than 24" O.C.
- All bath and toilet area walls and ceiling shall have water resistant gyp. brd.

**Walls & Thicknesses**

All walls are 3 1/2" thick 2x4 nominal studs SYP or SPF #2 @ 16" O.C. unless otherwise noted.

Exterior walls are drawn to actual dimensions to include both interior and exterior finishes. Measurements to exterior walls are to the exterior face of wall stud.

Garage walls are drawn to actual dimensions. Measurements to exterior walls are to the exterior face of wall stud. Measurements to walls between the residence and the garage are to the face of the stud on the garage side.

Interior walls are drawn to actual dimension. Measurements to interior walls are to the center line of the wall.

**FINISHES**

- SEAL AROUND WINDOW AND DOOR OPENINGS WITH PAINT GRADE SEALANT. WHERE COUNTERTOPS AND BACK SPLASHES BUTT WALLS, PROVIDE A BEAD OF CLEAR SILICONE CAULK. AT PLUMBING FIXTURES, PROVIDE ANTI-FUNGAL CAULK.
- ALL GYPSUM BOARD TO BE 1/2" TYPE X
- CEILINGS THROUGHOUT TO BE GYPSUM BOARD. PATCH CEILING WHERE AFFECTED BY DEMOLITION AND MATCH FINISH, TEXTURE, AND PAINT OF ADJOINING CEILING.
- PRIOR TO ORDERING FINISHES, VERIFY/CONSULT WITH OWNER, CONFIRM COLOR & STYLE.
- ALL METAL TO RECEIVE BASE COAT AND 2 COATS SEMI-GLOSS LATEX PAINT. GWB TO RECEIVE ONE COAT PRIMER & TWO COATS PAINT. WOOD DOORS TO BE FACTORY STAINED.
- ALL CABINETRY TO BE PLASTIC LAMINATE FACED, FLUSH OVERLAY DESIGN. ALL HARDWARE TO BE INTERMEDIATE DUT. FIELD VERIFY ROOM DIMENSIONS AND APPLIANCE SIZES PRIOR TO FABRICATION. GC TO PROVIDE BLOCKING IN WALLS.

Building Width In Feet & Number of Jack Studs (Only Roof & Ceiling Supported Above)						
	20'	NJ	28'	NJ	36'	NJ
(1) 2x8	4'-6"	1	3'-10"	1	3'-5"	1
(1) 2x10	5'-8"	1	4'-11"	1	4'-4"	1
(1) 2x12	6'-11"	1	5'-11"	1	5'-3"	1
(2) 2x4	3'-6"	1	3'-2"	1	2'-10"	1
(2) 2x6	5'-5"	1	4'-8"	1	4'-2"	1
(2) 2x8	6'-10"	1	5'-11"	2	5'-4"	2
(2) 2x10	8'-5"	2	7'-3"	2	6'-6"	2
(2) 2x12	9'-9"	2	8'-5"	2	7'-6"	2

**Dwelling/Garage Separation**  
**REFER TO SECTIONS R302.5, R302.6, AND R302.7**

**Walls.** A minimum 1/2" gypsum board must be installed on all walls supporting floor/ceiling assemblies used for separation required by this section.

**Stairs.** A minimum of 1/2" gypsum must be installed on the underside and exposed sides of all stairways.

**Ceilings.** A minimum of 1/2" gypsum must be installed on the garage ceiling if there is no habitable room above. If a habitable room is above, a minimum of 5/8" Type X gypsum board must be installed on the the garage ceiling.

**Opening Penetrations.** Openings between the garage and the residence shall be equipped with solid wood doors not less than 1 3/8 inches in thickness, solid or honeycomb core steel doors not less than 1 3/8 inches thick, or 20-minute fire-rated doors.

**Duct Penetrations.** Ducts in the garage and ducts penetrating the walls or ceilings separation the dwelling from the garage shall be constructed of a minimum No. 26 gage sheet steel or other approved material and shall have no openings into the garage. Other Penetrations. Penetrations through the separation required in Section R302.6 shall be protected as required by Section R302.11, Item 4.

**General Notes:**

- All dimensions are given from the exterior face of the stud to the face of interior studs unless otherwise noted.
- All work shall be performed in conformance with the 2018 NC Building Code for One and Two Family Dwellings and all referenced standards.
- All finishes, appliances, equipment and fixtures shall be coordinated by Owner and G.C.
- G.C. to field verify all existing dimensions and conditions prior to commencing work.
- Drawings are an instrument to communicate intent of construction. Do not scale drawings.
- All doors and windows to be selected by Owner and provided and installed by G.C.
- All casework to be selected by Owner and provided and installed by G.C.

IT IS THE SOLE RESPONSIBILITY OF THE CONTRACTOR AND/OR BUILDER TO CONFORM TO ALL STANDARDS, PROVISIONS, REQUIREMENTS, METHODS OF CONSTRUCTION AND USES OF MATERIALS, IN BUILDING CODES ANY OTHER LOCAL AGENCIES AND IN ACCORDANCE WITH GOOD ENGINEERING AND CONSTRUCTION PRACTICES.

I CERTIFY THAT THE CONSTRUCTION EXHIBITS FOR (IDENTIFICATION OF THE PROPERTY BY HOUSE TYPE, LOT, BLOCK, SUBDIVISION NAME, AND SO ON) MEET ALL LOCAL CODE REQUIREMENTS AND ARE IN SUBSTANTIAL CONFORMITY WITH BOTH SAH AND VA MINIMUM PROPERTY REQUIREMENTS. ALL BUILDING STANDARDS AS SET FORTH BY THE INTERNATIONAL CODE COUNCIL (ICC) AND FEDERAL SAFE DRINKING WATER PLUMBING STANDARD.

**DESIGNED BY:**  
TIMOTHY PEPPERS JR.  
RESIDENTIAL DESIGN  
CONSULTANT  
**CAMERON  
NORTH CAROLINA  
(910) 644-4587**

**PROPERTY OF TPJR**  
DRAWINGS AND SPECIFICATIONS AS INSTRUMENTS OF SERVICE ARE AND SHALL REMAIN PROPERTY OF THE DESIGNER WHETHER THE PROJECT FOR WHICH THEY ARE MADE FOR IS EXECUTED OR NOT. THE DRAWINGS AND SPECIFICATIONS SHALL NOT BE USED BY THE OWNER ON OTHER PROJECTS FOR ADDITIONS TO THIS PROJECT OR FOR COMPLETION OF THIS PROJECT BY OTHERS EXCEPT BY AGREEMENT IN WRITING WITH THE APPROPRIATE COMPENSATION TO THE DESIGNER.

**Weaver Development Co., Inc.**  
**The Carolina**  
**Sanford NC**  
**Floor Plan**

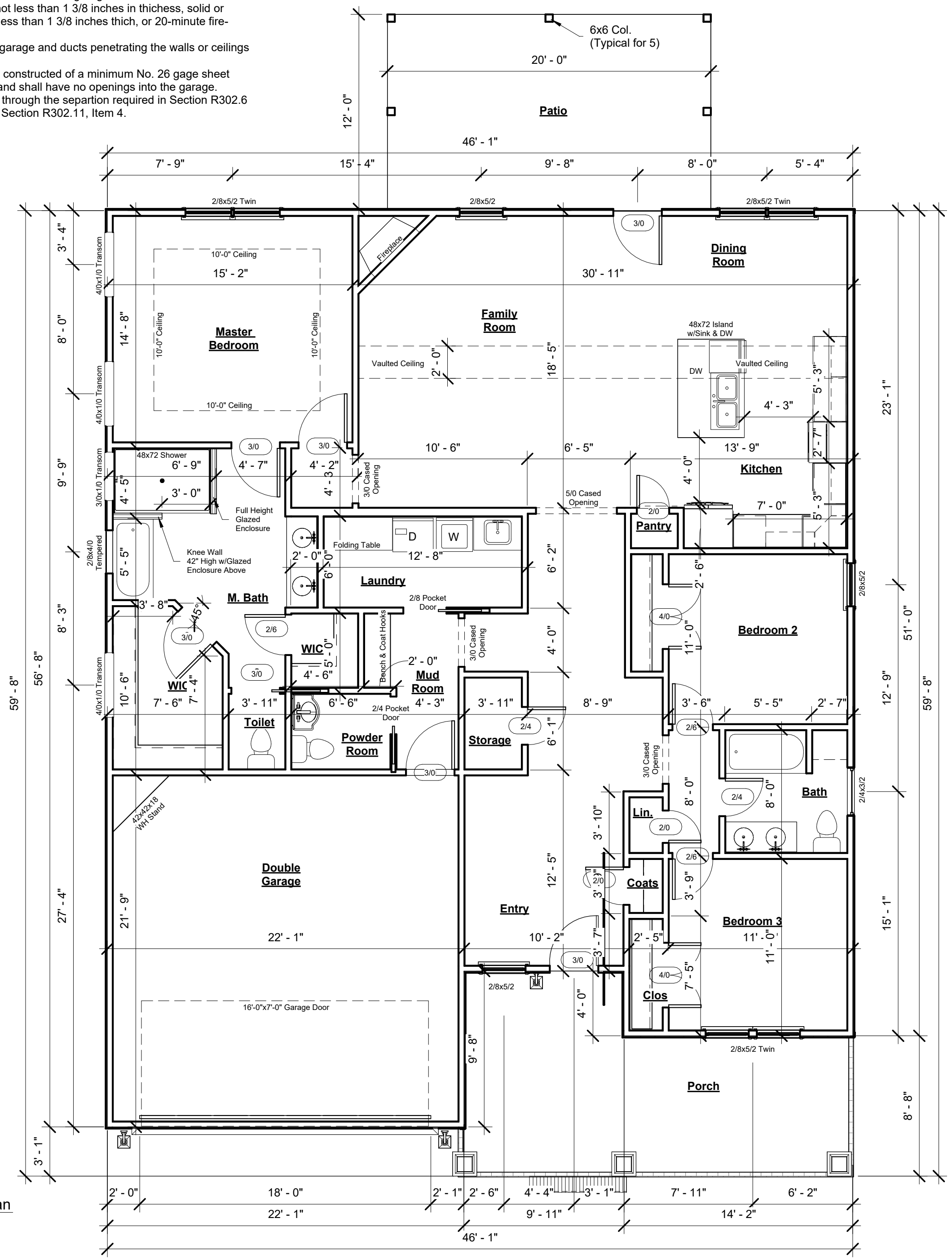
**SCALE:**  
3/16" = 1'-0"

**DATE:**  
March 22, 2024

**Project number**  
092723000001

**Drawn by** TP  
**Checked by** TP

1 First Floor Plan  
3/16" = 1'-0"



IT IS THE SOLE RESPONSIBILITY OF THE CONTRACTOR AND/OR BUILDER TO CONFORM TO ALL STANDARDS, PROVISIONS, REQUIREMENTS, METHODS OF CONSTRUCTION AND USES OF MATERIALS, IN BUILDING CODES ANY OTHER LOCAL AGENCIES AND IN ACCORDANCE WITH GOOD ENGINEERING AND CONSTRUCTION PRACTICES.

I CERTIFY THAT THE CONSTRUCTION EXHIBITS FOR (IDENTIFICATION OF THE PROPERTY BY HOUSE TYPE, LOT, BLOCK, SUBDIVISION NAME, AND SO ON) MEET ALL LOCAL CODE REQUIREMENTS AND ARE IN SUBSTANTIAL CONFORMITY WITH BOTH SAH AND VA MINIMUM PROPERTY REQUIREMENTS. ALL BUILDING STANDARDS AS SET FORTH BY THE INTERNATIONAL CODE COUNCIL (ICC) AND FEDERAL SAFE DRINKING WATER PLUMBING STANDARD.

**DESIGNED BY:**  
TIMOTHY PEPPERS JR.  
RESIDENTIAL DESIGN  
CONSULTANT  
  
CAMERON  
NORTH CAROLINA  
(910) 644-4587

**PROPERTY OF TPJR**  
DRAWINGS AND SPECIFICATIONS AS INSTRUMENTS OF SERVICE ARE AND SHALL REMAIN PROPERTY OF THE DESIGNER WHETHER THE PROJECT FOR WHICH THEY ARE MADE FOR IS EXECUTED OR NOT. THE DRAWINGS AND SPECIFICATIONS SHALL NOT BE USED BY THE OWNER ON OTHER PROJECTS FOR ADDITIONS TO THIS PROJECT OR FOR COMPLETION OF THIS PROJECT BY OTHERS EXCEPT BY AGREEMENT IN WRITING WITH THE APPROPRIATE COMPENSATION TO THE DESIGNER.

Weaver Development Co., Inc.  
The Carolina  
Sanford NC  
Elevations

SCALE:  
1/4" = 1'-0"

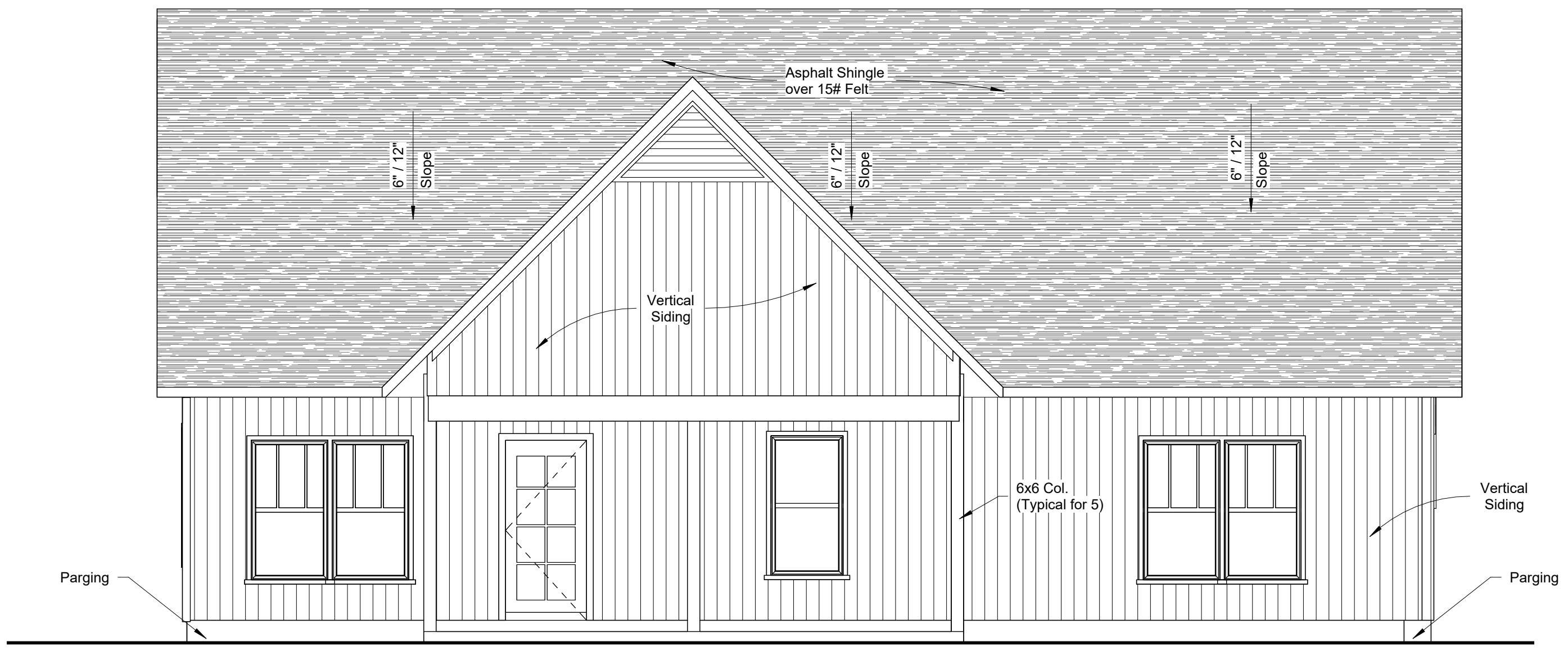
DATE:  
March 22, 2024

Project number  
092723000001

Drawn by TP  
Checked by TP



① Front Elevation  
1/4" = 1'-0"



② Rear Elevation  
1/4" = 1'-0"

IT IS THE SOLE RESPONSIBILITY OF THE CONTRACTOR AND/OR BUILDER TO CONFORM TO ALL STANDARDS, PROVISIONS, REQUIREMENTS, METHODS OF CONSTRUCTION AND USES OF MATERIALS, IN BUILDING CODES AND OTHER LOCAL AGENCIES AND IN ACCORDANCE WITH GOOD ENGINEERING AND CONSTRUCTION PRACTICES.

I CERTIFY THAT THE CONSTRUCTION EXHIBITS FOR (IDENTIFICATION OF THE PROPERTY BY HOUSE TYPE, LOT, BLOCK, SUBDIVISION NAME, AND SO ON) MEET ALL LOCAL CODE REQUIREMENTS AND ARE IN SUBSTANTIAL CONFORMITY WITH BOTH SAH AND VA MINIMUM PROPERTY REQUIREMENTS. ALL BUILDING STANDARDS AS SET FORTH BY THE INTERNATIONAL CODE COUNCIL (ICC) AND FEDERAL SAFE DRINKING WATER PLUMBING STANDARD.

**DESIGNED BY:**  
TIMOTHY PEPPERS JR.  
RESIDENTIAL DESIGN  
CONSULTANT  
  
CAMERON  
NORTH CAROLINA  
(910) 644-4587

**PROPERTY OF TPJR**  
DRAWINGS AND SPECIFICATIONS AS INSTRUMENTS OF SERVICE ARE AND SHALL REMAIN PROPERTY OF THE DESIGNER WHETHER THE PROJECT FOR WHICH THEY ARE MADE FOR IS EXECUTED OR NOT. THE DRAWINGS AND SPECIFICATIONS SHALL NOT BE USED BY THE OWNER ON OTHER PROJECTS FOR ADDITIONS TO THIS PROJECT OR FOR COMPLETION OF THIS PROJECT BY OTHERS EXCEPT BY AGREEMENT IN WRITING WITH THE APPROPRIATE COMPENSATION TO THE DESIGNER.

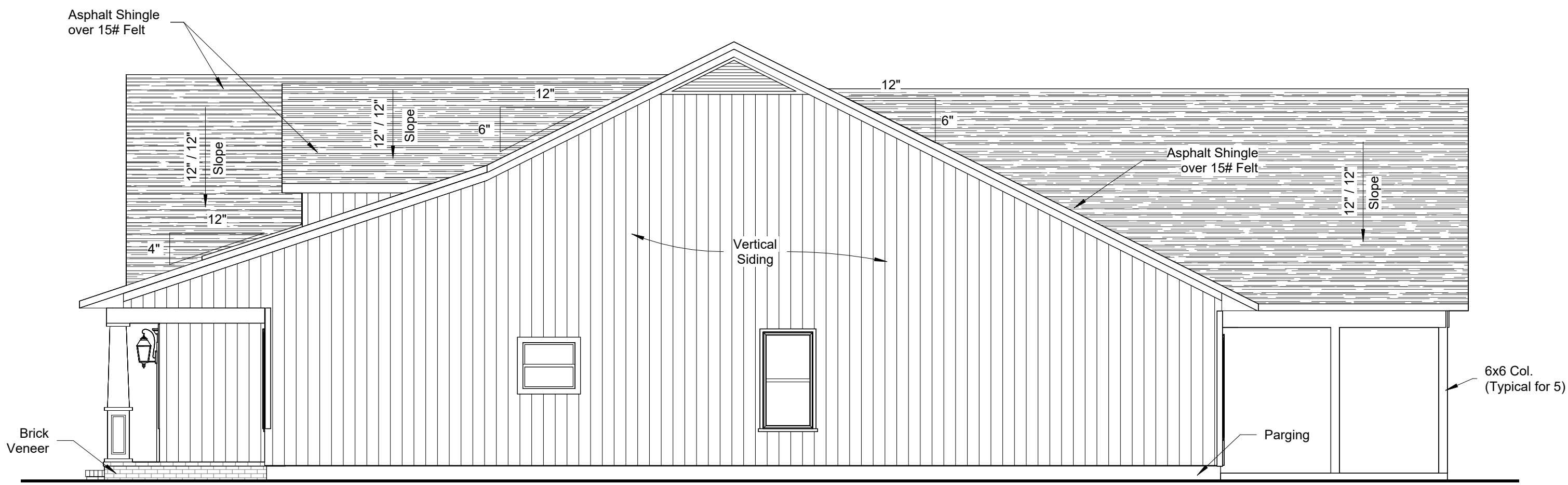
Weaver Development Co., Inc.  
The Carolina  
Sanford NC  
Elevations (Cont.)

SCALE:  
3/16" = 1'-0"

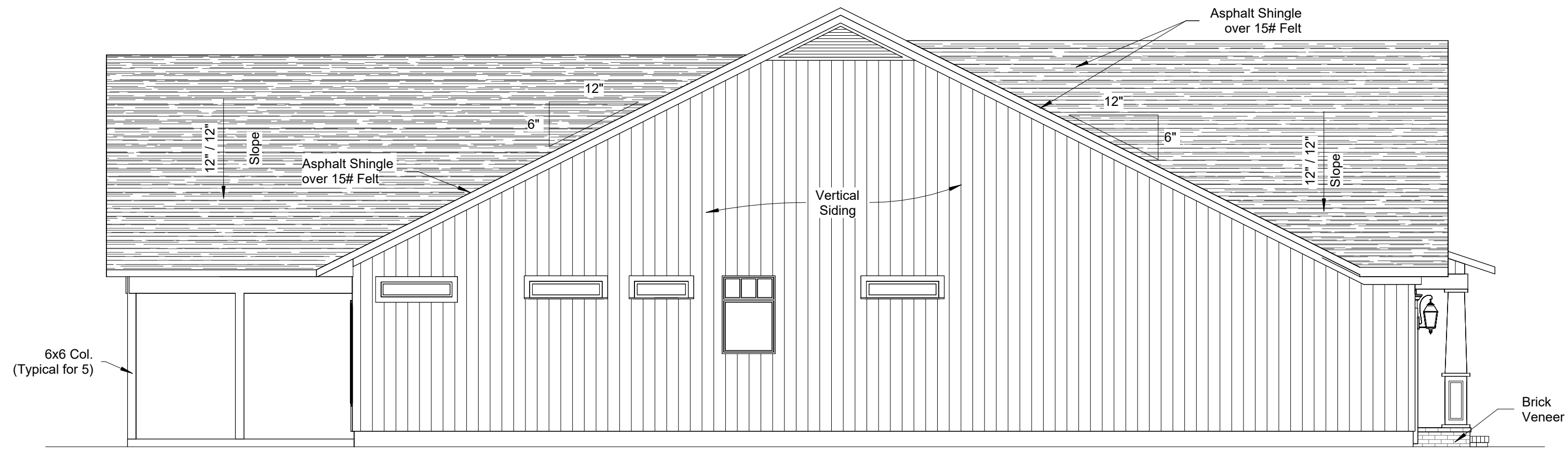
DATE:  
March 22, 2024

Project number  
092723000001

Drawn by TP  
Checked by TP



① Left Elevation  
3/16" = 1'-0"



② Right Elevation  
3/16" = 1'-0"

**Structural Notes**

All construction shall conform to the latest requirements of the 2018 North Carolina Residential Building Code, plus all local codes and regulations. This document in no way shall be construed to supersede the code.  
**Job Site Practice and Safety.** The designer assumes no liability for contractor practices and procedures or safety plan. The designer takes no responsibility for failure to carry out construction work in accordance with contract documents. All members shall be framed, anchored, and braced in accordance with good construction safety practices and according to the code.

**Roof Truss Requirements**

**Truss Design.** Trusses to be designed and engineered in accordance with these drawings. Any variation with these drawings must be brought to the Designer's attention prior to commencing construction.  
**Knee Wall and Ceiling Heights.** All finished knee wall heights and ceiling heights are shown furred down 10" from the decking for the insulation. If for any reason the truss manufacturer fails to meet or exceed designated heel heights, finished knee wall heights of finished ceiling heights shown on these plans the finished square footage may vary. Any discrepancies must be brought to the attention of the designer for a suitable solution prior to commencing construction.

**Anchorage.** All required anchors for trusses due to uplift or bearing shall meet the requirements as specified by the truss manufacturer's schematics.  
**Bearing.** All trusses shall be designed for bearing on SPF #2 plates or ledgers unless otherwise noted.  
**Plate Heights & Floor Systems.** See Elevations and Sections for plate heights and floor thicknesses.

**Braced Wall Panel Notes**  
**Exterior Walls.** All exterior walls shall be sheathed with CS-WSP or CS-SFB in accordance with Section R602.10.3 unless otherwise noted.  
**Gypsum.** All interior sides of exterior walls and both sides of interior walls shall have 1/2" gypsum board installed. When not using med GB gypsum to be fastened per table R702.3.5. Method GB to be fastened per R602.10.1. Required Length of Bracing. Required brace wall length for each side of the circumscribed rectangle are interpolated per table R602.10.3. Methods CS-WSP and SC-SFB contribute their actual length. Method GB contributes 0.5 times actual length. Method PF contributes 1.5 times its actual length.  
**HD.** 800 bls hold down devices fastened to the edge of the brace wall panel closest to the corner.  
 Methods Per table R602.10.1  
**CS-WSP.** Shall be a minimum of 3/8" OSB or CDX nailed at 6" O.C. at edges and 12" O.C. at intermediate supports with 6d common nails or 8d (2 1/2" long x 0.113" diameter).  
**CS-SFB.** Shall be a minimum 1/2" structural fiber board nailed at 3" O.C. at edges and 3" O.C. at intermediate supports with 1 1/2" x 0.12" diameter galvanized roofing nails.  
**GB.** Interior walls shown as GB are to have a minimum 1/2" gypsum board applied to both sides of the wall fastened at 7" O.C. at edges and along intermediate supports with minimum 5d common nails or #6 screws.  
**PF.** Portal Frame per Portal Frame Detail.

**Braced Wall Panel Notes**

**Exterior Walls.** All exterior walls shall be sheathed with CS-WSP or CS-SFB in accordance with Section R602.10.3 unless otherwise noted.  
**Gypsum.** All interior sides of exterior walls and both sides of interior walls shall have 1/2" gypsum board installed. When not using med GB gypsum to be fastened per table R702.3.5. Method GB to be fastened per R602.10.1. Required Length of Bracing. Required brace wall length for each side of the circumscribed rectangle are interpolated per table R602.10.3. Methods CS-WSP and SC-SFB contribute their actual length. Method GB contributes 0.5 times actual length. Method PF contributes 1.5 times its actual length.  
**HD.** 800 bls hold down devices fastened to the edge of the brace wall panel closest to the corner.  
 Methods Per table R602.10.1  
**CS-WSP.** Shall be a minimum of 3/8" OSB or CDX nailed at 6" O.C. at edges and 12" O.C. at intermediate supports with 6d common nails or 8d (2 1/2" long x 0.113" diameter).  
**CS-SFB.** Shall be a minimum 1/2" structural fiber board nailed at 3" O.C. at edges and 3" O.C. at intermediate supports with 1 1/2" x 0.12" diameter galvanized roofing nails.  
**GB.** Interior walls shown as GB are to have a minimum 1/2" gypsum board applied to both sides of the wall fastened at 7" O.C. at edges and along intermediate supports with minimum 5d common nails or #6 screws.  
**PF.** Portal Frame per Portal Frame Detail.

**Brace Wall Factors**

Max Eave to Ridge	Wind Speed	Exposure	Seismic Category
13'-0"	110	B	A or B

**Rectangle A**

Side	Perp. Distance	Required	Provided
1	40'-0"	18'-2"	24'-8"
2	40'-0"	18'-2"	19'-8"
3	39'-0"	17'-9"	25'-3"
4	39'-0"	17'-9"	34'-2"
<b>Wall Height: 9'-0"</b>		<b>Roof +1</b>	<b>Eave: 13'-0"</b>

**Header Schedule**

Header	Size	Columns
H-1	(2) 2x4	1 Jack 1 King
H-2	(2) 2x6	1 Jack 1 King
H-3	(2) 2x8	1 Jack 1 King
H-4	(2) 2x10	2 Jack 1 King
H-5	(2) 2x12	2 Jack 1 King
H-6	3 1/2"x11 7/8" LVL	3 Jack 2 King
H-7	3 1/2"x14" LVL	3 Jack 2 King

All non load bearing headers to be ladder framed or (2) 2x4 with 1 Jack and 1 King Stud unless otherwise noted

IT IS THE SOLE RESPONSIBILITY OF THE CONTRACTOR AND/OR BUILDER TO CONFORM TO ALL STANDARDS, PROVISIONS, REQUIREMENTS, METHODS OF CONSTRUCTION AND USES OF MATERIALS, IN BUILDING CODES ANY OTHER LOCAL AGENCIES AND IN ACCORDANCE WITH GOOD ENGINEERING AND CONSTRUCTION PRACTICES.

I CERTIFY THAT THE CONSTRUCTION EXHIBITS FOR (IDENTIFICATION OF THE PROPERTY BY HOUSE TYPE, LOT, LOCK, SUBDIVISION NAME, AND SO ON) MEET ALL LOCAL CODE REQUIREMENTS AND ARE IN SUBSTANTIAL CONFORMITY WITH BOTH SAH AND VA MINIMUM PROPERTY REQUIREMENTS. ALL BUILDING STANDARDS AS SET FORTH BY THE INTERNATIONAL CODE COUNCIL (ICC) AND FEDERAL SAFE DRINKING WATER PLUMBING STANDARD.

**DESIGNED BY:**  
 TIMOTHY PEPPERS JR.  
 RESIDENTIAL DESIGN  
 CONSULTANT  
**CAMERON  
 NORTH CAROLINA  
 (910) 644-4587**

**PROPERTY OF TPJR**  
 DRAWINGS AND SPECIFICATIONS AS INSTRUMENTS OF SERVICE ARE AND SHALL REMAIN PROPERTY OF THE DESIGNER WHETHER THE PROJECT FOR WHICH THEY ARE MADE FOR IS EXECUTED OR NOT. THE DRAWINGS AND SPECIFICATIONS SHALL NOT BE USED BY THE OWNER ON OTHER PROJECTS FOR ADDITIONS TO THIS PROJECT OR FOR COMPLETION OF THIS PROJECT BY OTHERS EXCEPT BY AGREEMENT IN WRITING WITH THE APPROPRIATE COMPENSATION TO THE DESIGNER.

**Weaver Development Co., Inc.**  
**The Carolina**  
**Sanford NC**  
**Structural Plan**

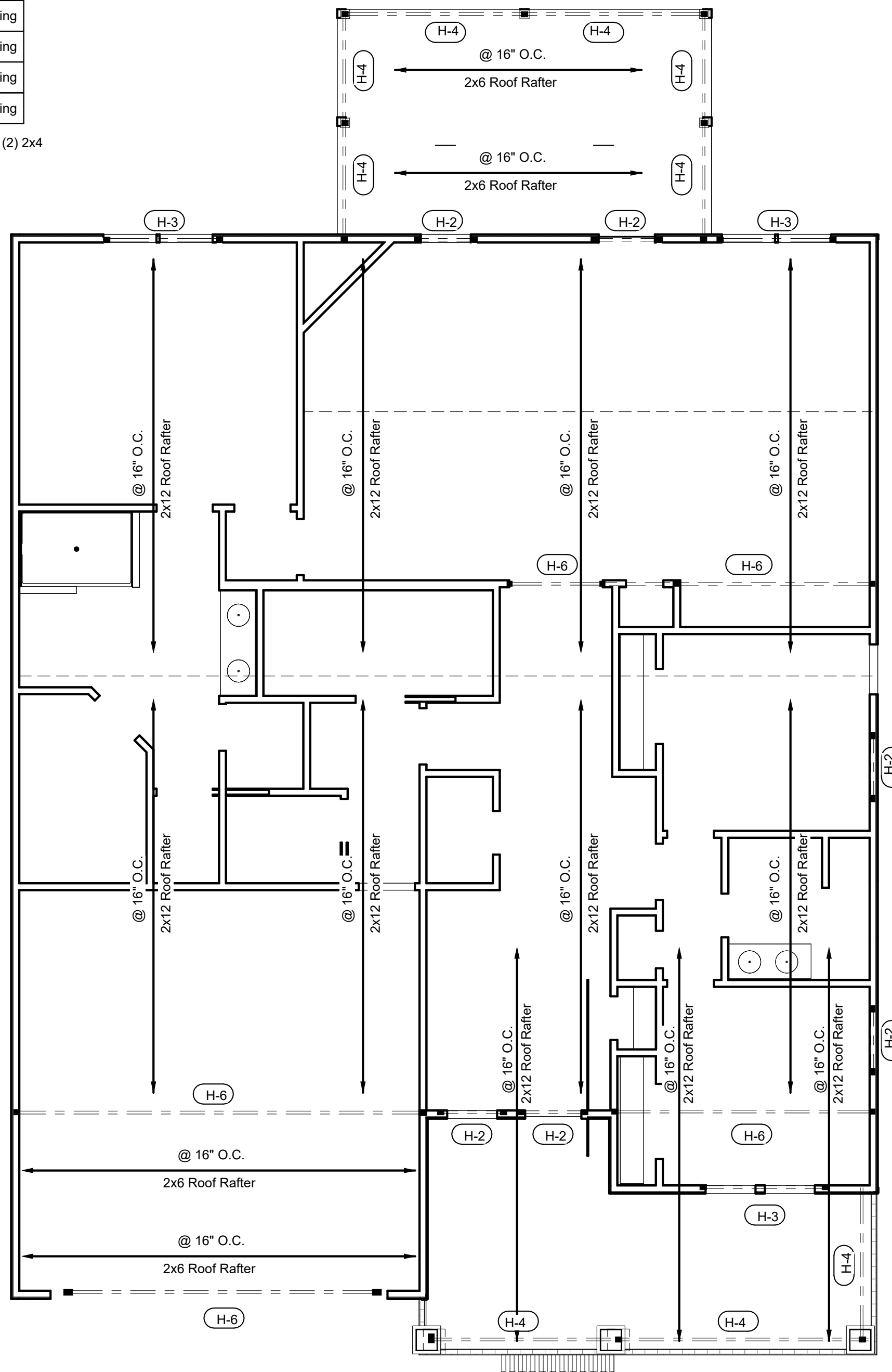
**SCALE:**  
 3/16" = 1'-0"

**DATE:**  
 March 22, 2024

**Project number**  
 092723000001

**Drawn by** TP  
**Checked by** TP

① First Floor Plan  
 3/16" = 1'-0"



**GENERAL NOTES:**

1. All drawings and written material are the property of the Designer, and may not be used without their expressed written consent.
2. As a matter of record, the Designer, shall not have control or charge of and shall not be responsible for construction means, methods, techniques, sequences or procedures, or for safety precautions and programs in connection with the work for acts or omissions of the contractor, subcontractors or any other persons performing any of the work in accordance with these drawings.
3. Do not scale drawings - Dimensions are to face of stud or finished edge of foundation unless noted otherwise. Verify all existing dimensions and conditions.
4. This set of drawings and details are an instrument of service and may be used for this project only and shall not be loaned, copied, modified or reproduced either in whole or in part without oral or written consent of the Designer.

**FOUNDATION NOTES:**

1. Concrete dimensions are typically to face of wall.
2. All concrete slabs shall be minimum 4" thick, with 6 x 6 1.4/1.4 W.W.M welded wire fabric placed over 6 mil poly vapor barrier over a minimum 6" bed of compacted gravel.
3. All portions of footings shall be placed on undisturbed soil. Footings or portions of footings placed on fill shall be engineered by others.
4. All exterior footings shall be a minimum of 12" below finished grade. No footings shall be placed in water or on frozen soil.
5. A minimum of 4" of compacted gravel shall be placed below all poured slabs.
6. Dampproofing to be installed according to manufacturer's specifications.
7. Provide Anchor Bolts sizes as indicated (min. 1/2" dia) on these drawings, at top of concrete foundation walls at a minimum of 1'-0" from corners and maximum 6'-0" O.C. for balance of perimeter walls, two per plate minimum.
8. All concrete footings shall bear on undisturbed virgin soil with presumptive bearing capacity of 4000 psf.
9. All concrete frost walls to have bottom of footing at minimum 1'-6" below finished grade.
10. Concrete foundation walls that exceed 8'-0" in height must be reinforced with steel designed by a licensed Structural Engineer.
11. All Concrete shall have the minimum 28 day strength:
  - Garage Slab 3500 psi
  - Basement Slab 3000 psi
  - Crawl Space Slab 3000 psi
  - Exterior Slab 3500 psi
  - Foundation Slab 3000 psi

**Framing Lumber.**

All non treated framing lumber shall be SPF #2 or SYP #2 and all treated lumber shall be SYP #2 unless otherwise noted

**Engineered Wood Beams.**

Laminated Veneer Lumber (LVL) = Fb=2600 psi, Fv=285 psi, E=1.9x10<sup>6</sup> psi  
 Parallel Strand Lumber (PSL) = Fb=2900 psi, Fv=295 psi, E=2.0x10<sup>6</sup> psi  
 Laminated Strand Lumber (LSL) = Fb=2250 psi, Fv=400 psi, E=1.55x10<sup>6</sup> psi  
 Install all connections per manufacturer's specifications.

**Truss and I-Joist Members.**

All roof truss and I-Joist layouts shall be prepared in accordance with this document. Trusses and I-Joists shall be installed according to manufacturer's specifications.

**Lintels.**

Brick lintels shall be 3 1/2" x 3 1/2" x 1/4" steel angle for up to 6'-0" and 6" x 4" x 5/16" steel angle with 6" leg vertical for spans up to 9'-0" unless otherwise noted.

**Concrete & Soils.**

See Foundation Notes

Use	Live Load (PSF)	Dead Load (PSF)	Deflection (LL)
Attic Without Storage	10	10	L/240
Attic With Limited Storage	20	10	L/360
Attic With Fixed Stairs	40	10	L/360
Balconies & Decks	40	10	L/360
Fire Escapes	40	10	L/360
Guardrails & Handrails	200	--	--
Guardrail Infill Components	50	--	--
Passenger Vehicle Garages	50	10	L/360
Rooms Other Than Sleeping	40	10	L/360
Sleeping Rooms	30	10	L/360
Stairs	40	--	L/360
Snow	20	--	--

IT IS THE SOLE RESPONSIBILITY OF THE CONTRACTOR AND/ OR BUILDER TO CONFORM TO ALL STANDARDS, PROVISIONS, REQUIREMENTS, METHODS OF CONSTRUCTION AND USES OF MATERIALS, IN BUILDING CODES ANY OTHER LOCAL AGENCIES AND IN ACCORDANCE WITH GOOD ENGINEERING AND CONSTRUCTION PRACTICES.

I CERTIFY THAT THE CONSTRUCTION EXHIBITS FOR (IDENTIFICATION OF THE PROPERTY BY HOUSE TYPE, LOT, BLOCK, SUBDIVISION NAME, AND SO ON) MEET ALL LOCAL CODE REQUIREMENTS AND ARE IN SUBSTANTIAL CONFORMITY WITH BOTH SAH AND VA MINIMUM PROPERTY REQUIREMENTS, ALL BUILDING STANDARDS AS SET FORTH BY THE INTERNATIONAL CODE COUNCIL (ICC) AND FEDERAL SAFE DRINKING WATER PLUMBING STANDARD.

**DESIGNED BY:**  
 TIMOTHY PEPPERS JR.  
 RESIDENTIAL DESIGN  
 CONSULTANT  
**CAMERON  
 NORTH CAROLINA  
 (910) 644-4587**

**PROPERTY OF TPJR**  
 DRAWINGS AND SPECIFICATIONS AS INSTRUMENTS OF SERVICE ARE AND SHALL REMAIN PROPERTY OF THE DESIGNER WHETHER THE PROJECT FOR WHICH THEY ARE MADE FOR IS EXECUTED OR NOT. THE DRAWINGS AND SPECIFICATIONS SHALL NOT BE USED BY THE OWNER ON OTHER PROJECTS FOR ADDITIONS TO THIS PROJECT OR FOR COMPLETION OF THIS PROJECT BY OTHERS EXCEPT BY AGREEMENT IN WRITING WITH THE APPROPRIATE COMPENSATION TO THE DESIGNER.

**Weaver Development Co., Inc.**  
**The Carolina**  
**Sanford NC**  
**Foundation Plan**

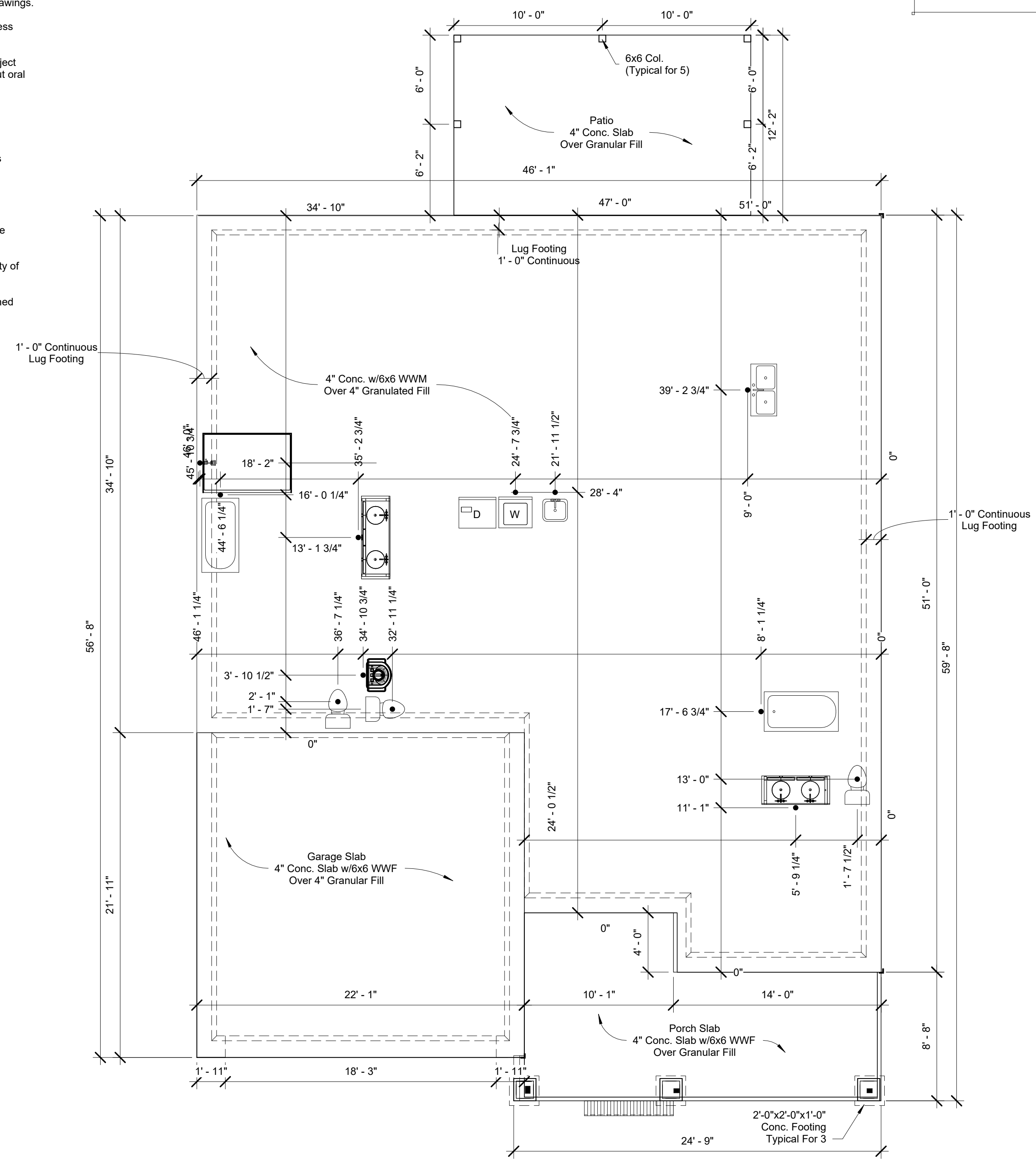
SCALE:  
 3/16" = 1'-0"

DATE:  
 March 22, 2024

Project number  
 092723000001

Drawn by TP  
 Checked by TP

1 Foundation Plan - Slab on Grade  
 3/16" = 1'-0"





IT IS THE SOLE RESPONSIBILITY OF THE CONTRACTOR AND/OR BUILDER TO CONFORM TO ALL STANDARDS, PROVISIONS, REQUIREMENTS, METHODS OF CONSTRUCTION AND USES OF MATERIALS, IN BUILDING CODES ANY OTHER LOCAL AGENCIES AND IN ACCORDANCE WITH GOOD ENGINEERING AND CONSTRUCTION PRACTICES.

I CERTIFY THAT THE CONSTRUCTION EXHIBITS FOR (IDENTIFICATION OF THE PROPERTY BY HOUSE TYPE, LOT, LOCK, SUBDIVISION NAME, AND SO ON) MEET ALL LOCAL CODE REQUIREMENTS AND ARE IN SUBSTANTIAL CONFORMITY WITH BOTH SAH AND VA MINIMUM PROPERTY REQUIREMENTS, ALL BUILDING STANDARDS AS SET FORTH BY THE INTERNATIONAL CODE COUNCIL (ICC) AND FEDERAL SAFE DRINKING WATER PLUMBING STANDARD.

**DESIGNED BY:**  
TIMOTHY PEPPERS JR.  
RESIDENTIAL DESIGN  
CONSULTANT  
  
**CAMERON  
NORTH CAROLINA  
(910) 644-4587**

**PROPERTY OF TPJR**  
DRAWINGS AND SPECIFICATIONS AS INSTRUMENTS OF SERVICE ARE AND SHALL REMAIN PROPERTY OF THE DESIGNER WHETHER THE PROJECT FOR WHICH THEY ARE MADE FOR IS EXECUTED OR NOT. THE DRAWINGS AND SPECIFICATIONS SHALL NOT BE USED BY THE OWNER ON OTHER PROJECTS OR FOR ADDITIONS TO THIS PROJECT OR FOR COMPLETION OF THIS PROJECT BY OTHERS EXCEPT BY AGREEMENT IN WRITING WITH THE APPROPRIATE COMPENSATION TO THE DESIGNER.

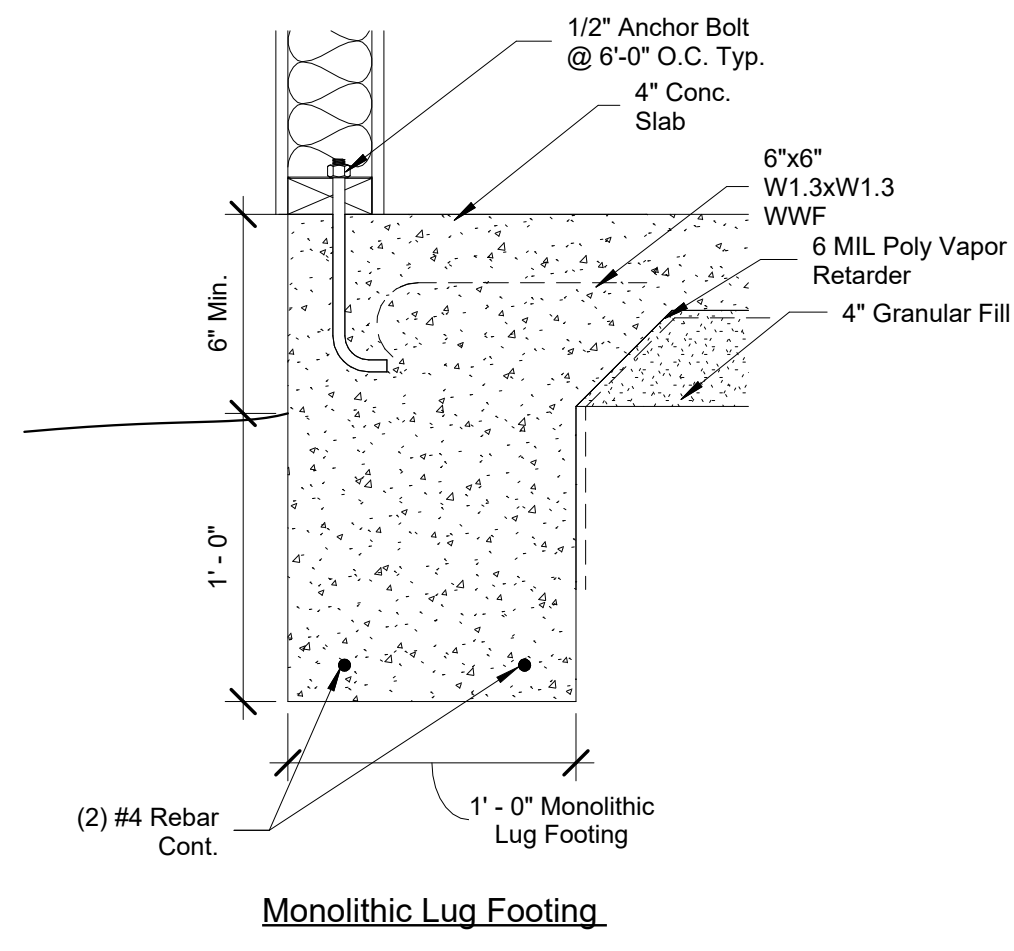
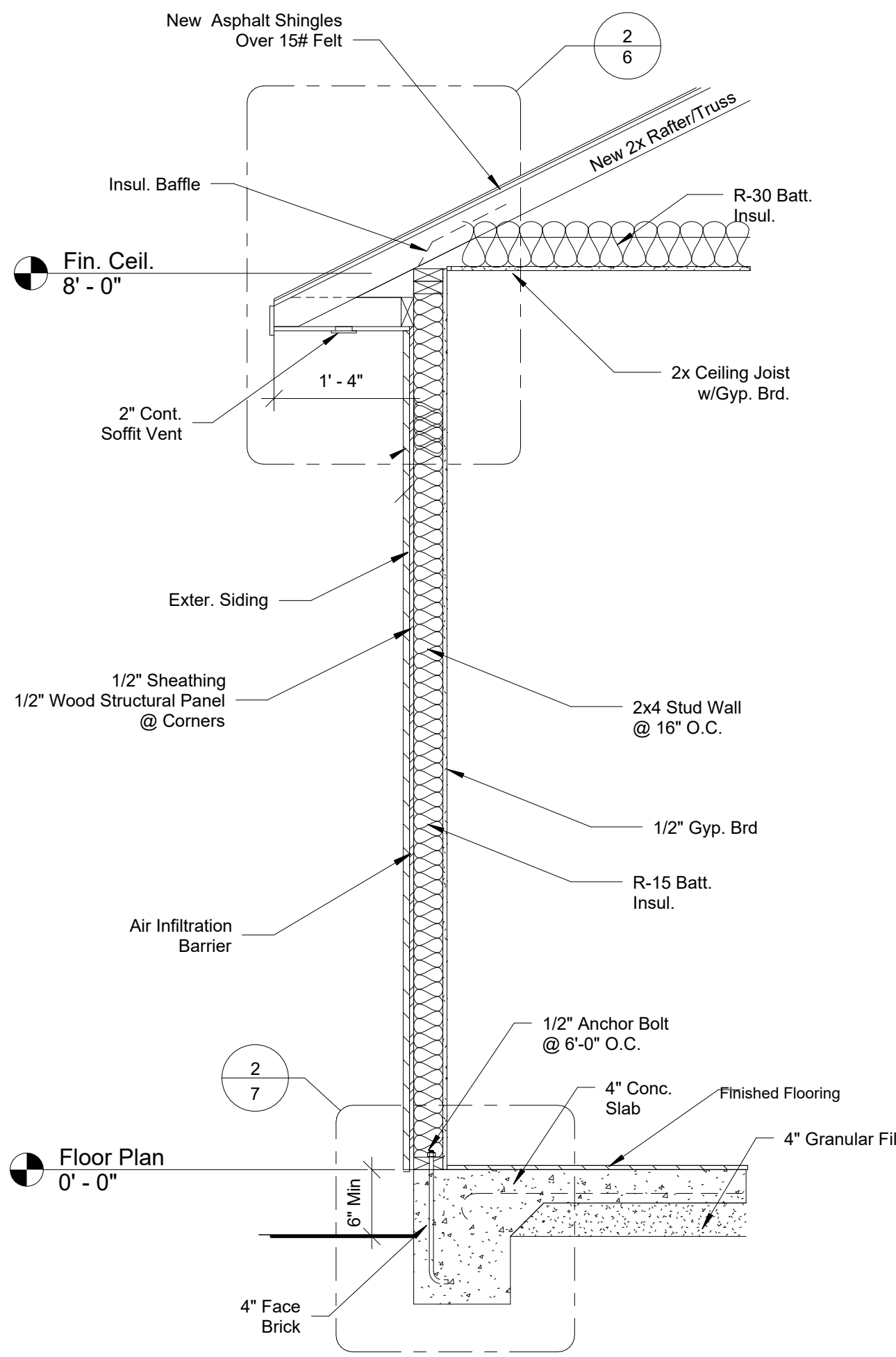
**Weaver Development Co., Inc.**  
**The Carolina**  
**Sanford NC**  
  
**Sections & Details**

SCALE:  
As indicated

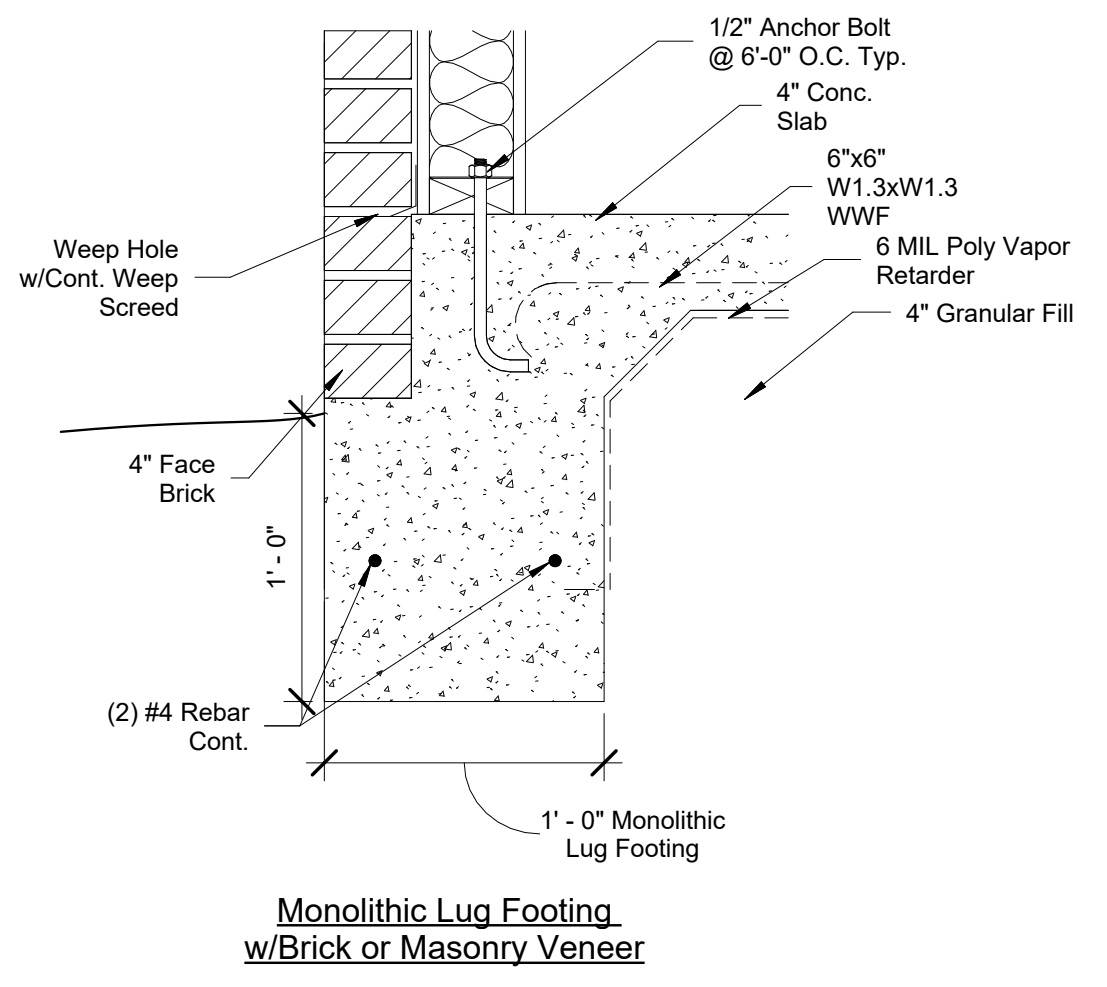
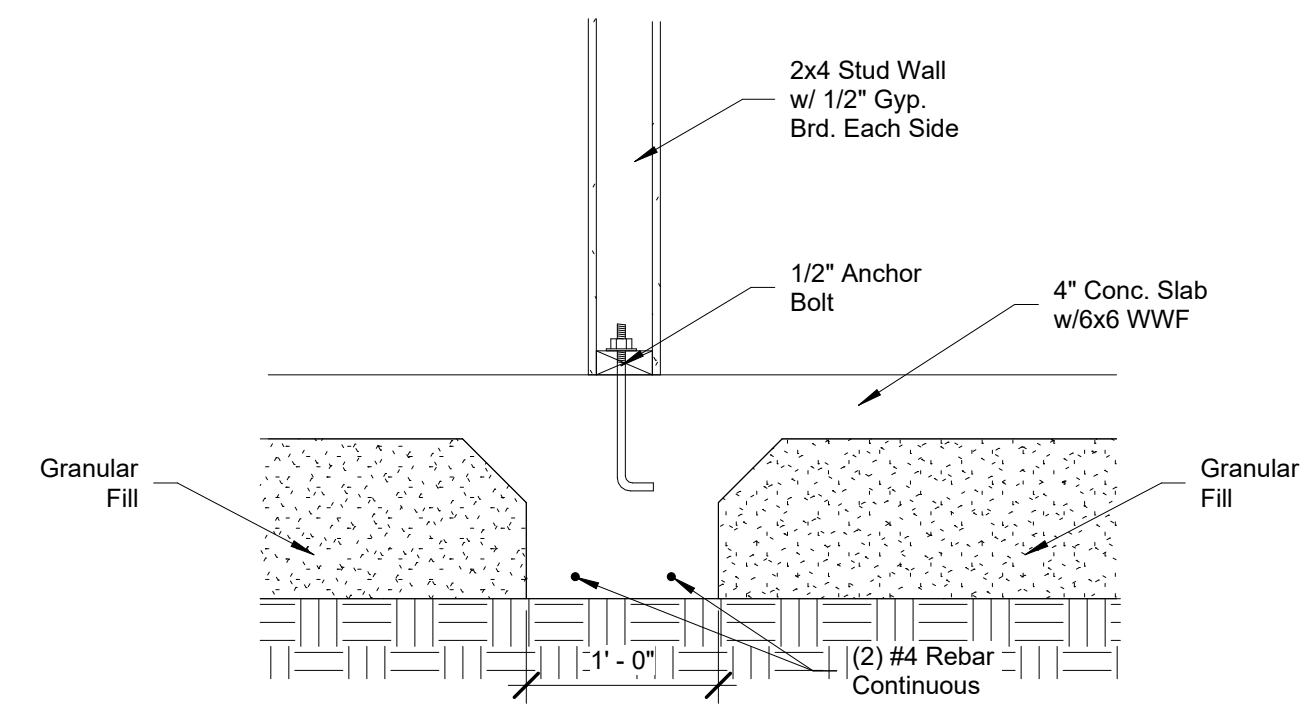
DATE:  
March 22, 2024

Project number  
092723000001

Drawn by TP  
Checked by TP



**2 Lug Footing Detail**  
1 1/2" = 1'-0"



**Monolithic Lug Footing w/Brick or Masonry Veneer**

IT IS THE SOLE RESPONSIBILITY OF THE CONTRACTOR AND/OR BUILDER TO CONFORM TO ALL STANDARDS, PROVISIONS, REQUIREMENTS, METHODS OF CONSTRUCTION AND USES OF MATERIALS, IN BUILDING CODES ANY OTHER LOCAL AGENCIES AND IN ACCORDANCE WITH GOOD ENGINEERING AND CONSTRUCTION PRACTICES.

I CERTIFY THAT THE CONSTRUCTION EXHIBITS FOR (IDENTIFICATION OF THE PROPERTY BY HOUSE TYPE, LOT, BLOCK, SUBDIVISION NAME, AND SO ON) MEET ALL LOCAL CODE REQUIREMENTS AND ARE IN SUBSTANTIAL CONFORMITY WITH BOTH SAH AND VA MINIMUM PROPERTY REQUIREMENTS. ALL BUILDING STANDARDS AS SET FORTH BY THE INTERNATIONAL CODE COUNCIL (ICC) AND FEDERAL SAFE DRINKING WATER PLUMBING STANDARD.

DESIGNED BY:  
TIMOTHY PEPPERS JR.  
RESIDENTIAL DESIGN  
CONSULTANT  
  
CAMERON  
NORTH CAROLINA  
(910) 644-4587

PROPERTY OF TPJR  
DRAWINGS AND SPECIFICATIONS AS INSTRUMENTS OF SERVICE ARE AND SHALL REMAIN PROPERTY OF THE DESIGNER WHETHER THE PROJECT FOR WHICH THEY ARE MADE FOR IS EXECUTED OR NOT. THE DRAWINGS AND SPECIFICATIONS SHALL NOT BE USED BY THE OWNER ON OTHER PROJECTS OR FOR ADDITIONS TO THIS PROJECT OR FOR COMPLETION OF THIS PROJECT BY OTHERS EXCEPT BY AGREEMENT IN WRITING WITH THE APPROPRIATE COMPENSATION TO THE DESIGNER.

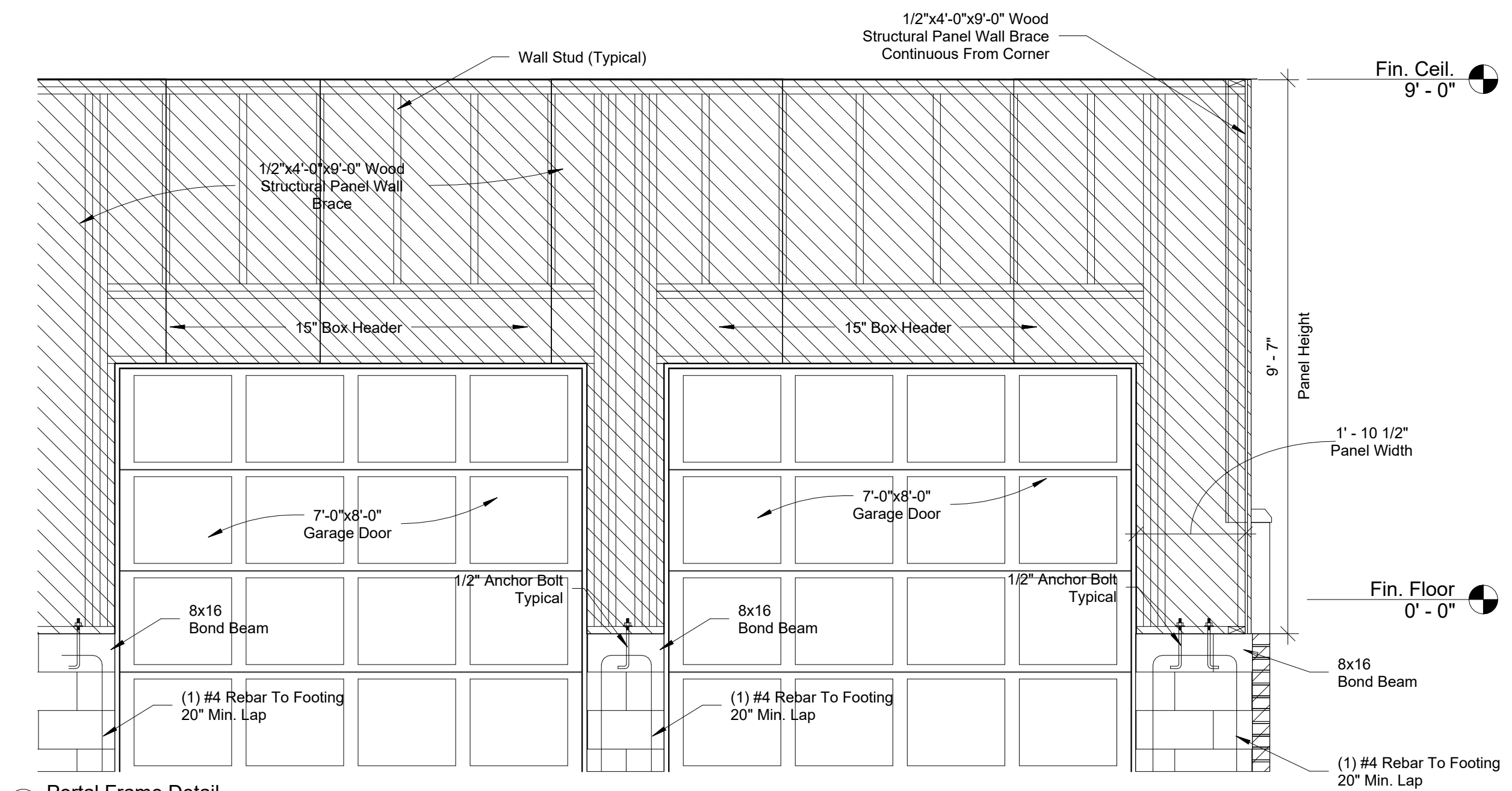
Weaver Development Co., Inc.  
The Carolina  
Sanford NC  
  
Sections & Details (Cont.)

SCALE:  
As indicated

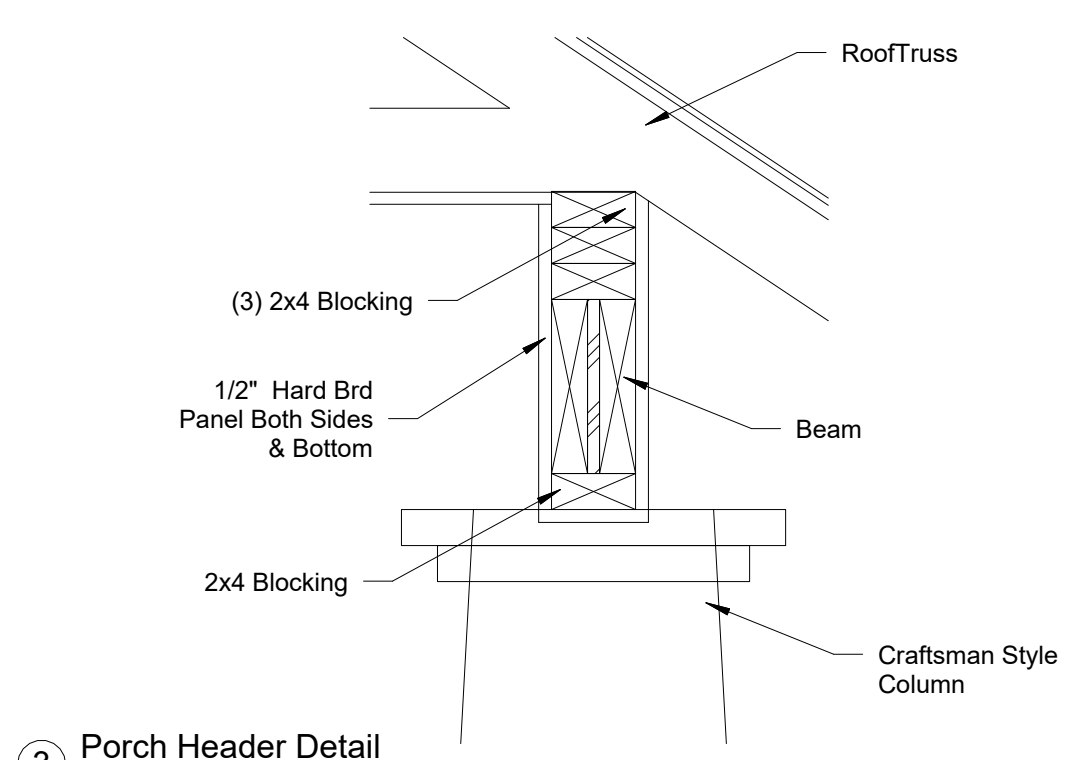
DATE:  
March 22, 2024

Project number  
092723000001

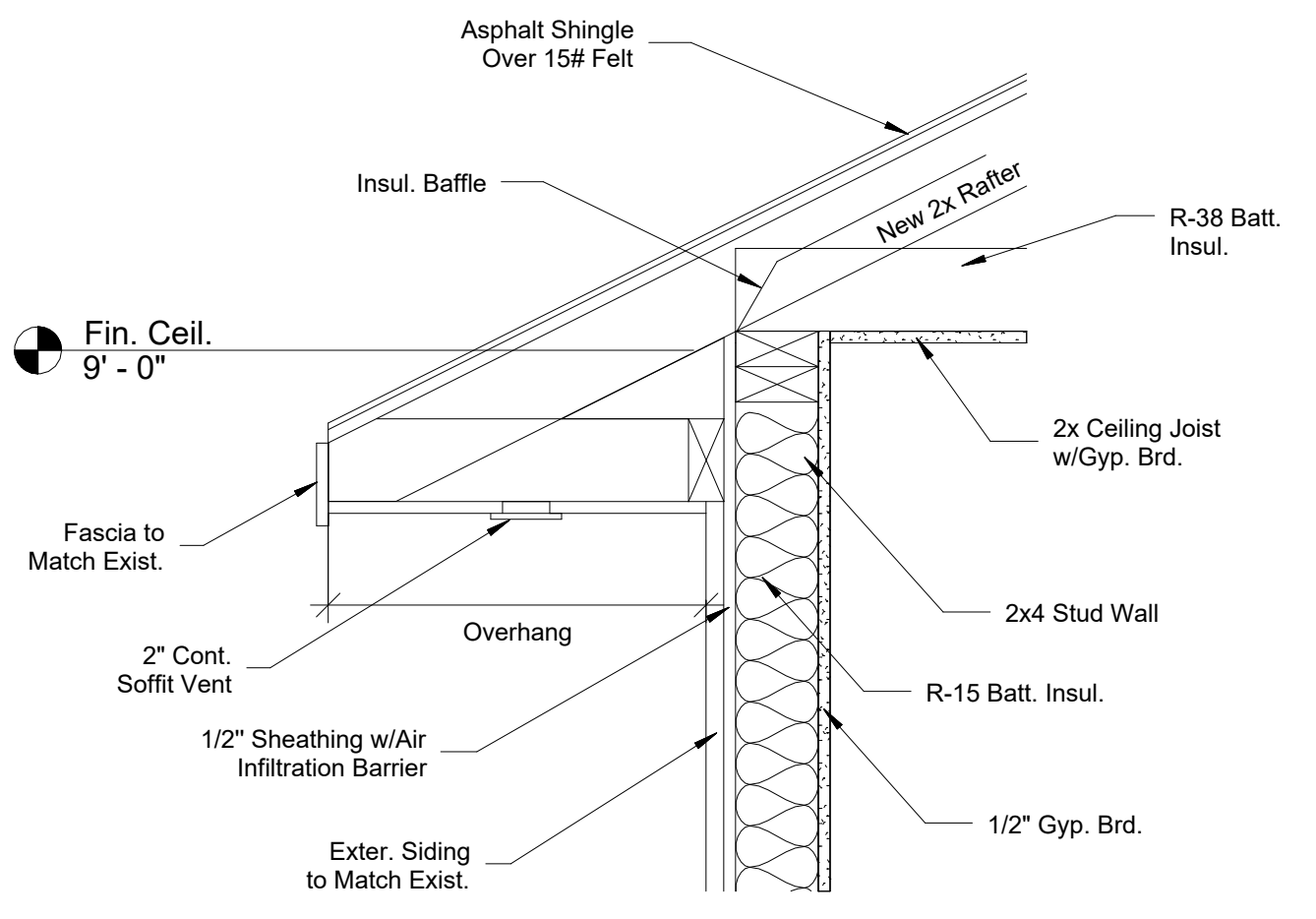
Drawn by TP  
Checked by TP



1 Portal Frame Detail  
1/2" = 1'-0"



3 Porch Header Detail  
1 1/2" = 1'-0"



2 Cornice Detail  
1 1/2" = 1'-0"



IT IS THE SOLE RESPONSIBILITY OF THE CONTRACTOR AND/OR BUILDER TO CONFORM TO ALL STANDARDS, PROVISIONS, REQUIREMENTS, METHODS OF CONSTRUCTION AND USES OF MATERIALS, IN BUILDING CODES AND OTHER LOCAL AGENCIES AND IN ACCORDANCE WITH GOOD ENGINEERING AND CONSTRUCTION PRACTICES.

I CERTIFY THAT THE CONSTRUCTION EXHIBITS FOR (IDENTIFICATION OF THE PROPERTY BY HOUSE TYPE, LOT, BLOCK, SUBDIVISION NAME, AND SO ON) MEET ALL LOCAL CODE REQUIREMENTS AND ARE IN SUBSTANTIAL CONFORMITY WITH BOTH SAH AND VA MINIMUM PROPERTY REQUIREMENTS. ALL BUILDING STANDARDS AS SET FORTH BY THE INTERNATIONAL CODE COUNCIL (ICC) AND FEDERAL SAFE DRINKING WATER PLUMBING STANDARD.

DESIGNED BY:  
TIMOTHY PEPPERS JR.  
RESIDENTIAL DESIGN  
CONSULTANT  
  
CAMERON  
NORTH CAROLINA  
(910) 644-4587

PROPERTY OF TPJR  
DRAWINGS AND SPECIFICATIONS AS INSTRUMENTS OF SERVICE ARE AND SHALL REMAIN PROPERTY OF THE DESIGNER WHETHER THE PROJECT FOR WHICH THEY ARE MADE FOR IS EXECUTED OR NOT. THE DRAWINGS AND SPECIFICATIONS SHALL NOT BE USED BY THE OWNER ON OTHER PROJECTS FOR ADDITIONS TO THIS PROJECT OR FOR COMPLETION OF THIS PROJECT BY OTHERS EXCEPT BY AGREEMENT IN WRITING WITH THE APPROPRIATE COMPENSATION TO THE DESIGNER.

Weaver Development Co., Inc.  
The Carolina  
Sanford NC  
  
Roof Plan

SCALE:  
3/16" = 1'-0"

DATE:  
March 22, 2024

Project number  
092723000001

Drawn by TP  
Checked by TP

**Roofing Ventilation**  
**Section R806**

**R806.1 Ventilation Required.** Enclosed attics and enclosed rafter spaces formed where ceilings are applied directly to the underside of the roof rafters shall have cross ventilation for each separate space by ventilating openings protected against the entrance of rain or snow. Ventilation openings shall have a least dimension of 1/16 inch minimum and 1/4 inch maximum. Ventilation opening having a least dimension larger than 1/4 inch shall be provided with corrosion-resistant wire cloth screening, hardware cloth, or similar material with openings having a least dimension of 1/16 inch minimum and 1/4 inch maximum. Openings in roof framing members shall conform to the requirements of Section 802.7.

**R806.2 Minimum Area.** The total net free ventilating area shall not be less than 1/150 of the area of the space ventilated except that reduction of the total area to 1/300 is permitted provided that at least 50 percent and not more than 80 percent of the required ventilating area is provided by ventilators located in the upper portion of the space to be ventilated at least 3 feet above the eave or cornice vents with the balance of the required ventilation provided by eave or cornice vents. As an alternative, the net free cross-ventilation area may be reduced to 1/300 when Class I or Class II vapor retarder is installed on the warm-in-winter side of the ceiling.

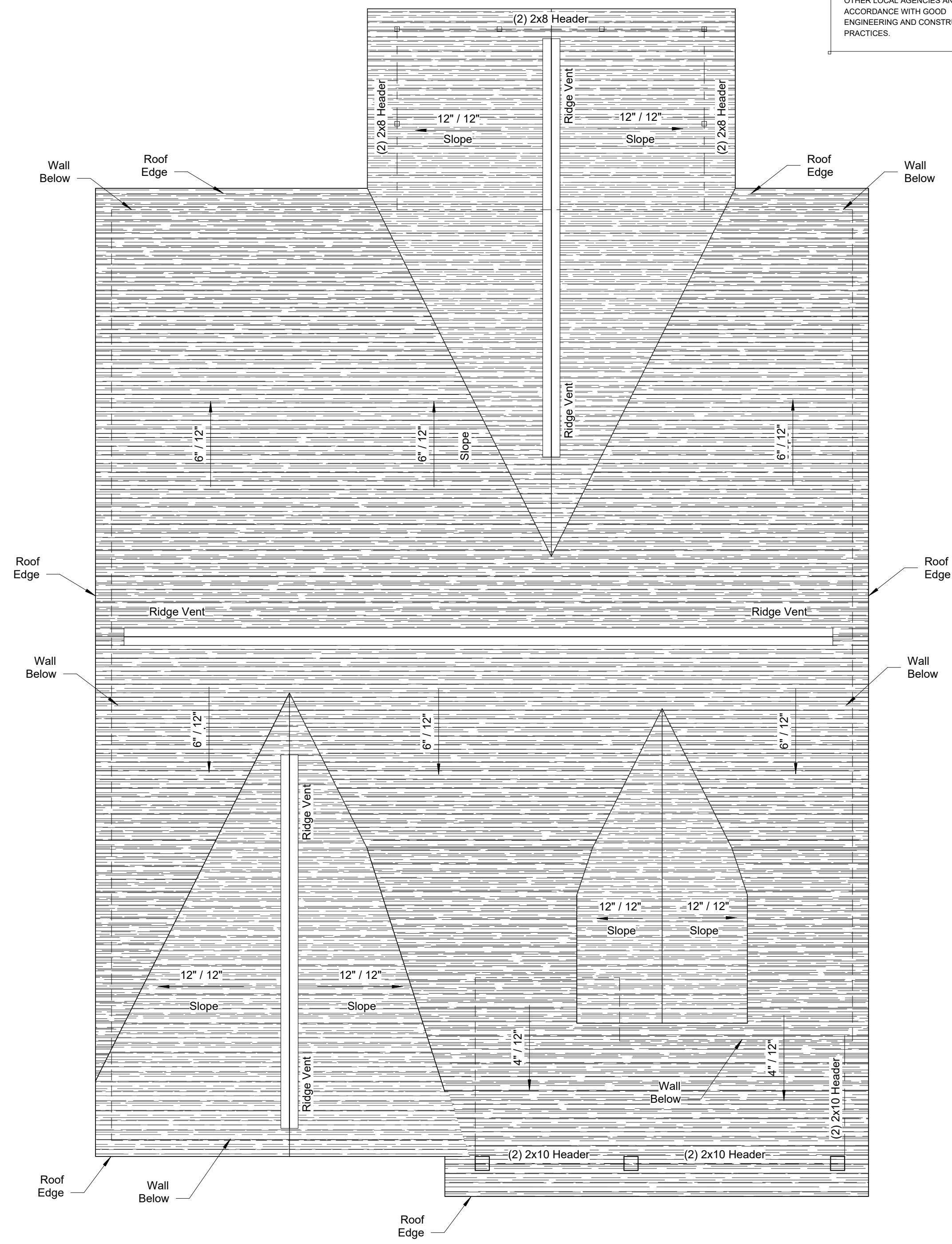
**Exceptions:**

1. Enclosed attic/rafter spaces requiring less than 1 square foot of ventilation may be vented with continuous soffit ventilation only.
2. Enclosed attic/rafter spaces over unconditioned space may be vented with continuous soffit ventilation only.

**Square Footage Being Ventilated:** 2,730 Sq. Ft.

**Net Free Cross Ventilation Needed:**

- Without 50% to 80% of venting 3'-0" Above Eave: 18.20 Sq. Ft.
- With 50% to 80% of venting 3'-0" above eave or Class I or Class II Vapor Retarder: 9.10 Sq. Ft



1 Roof Plan  
3/16" = 1'-0"