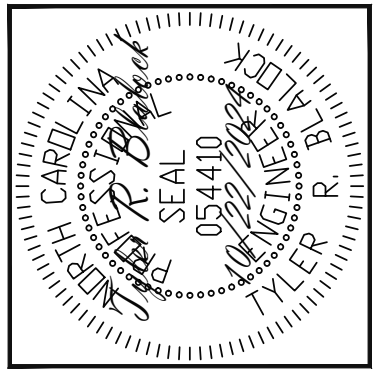
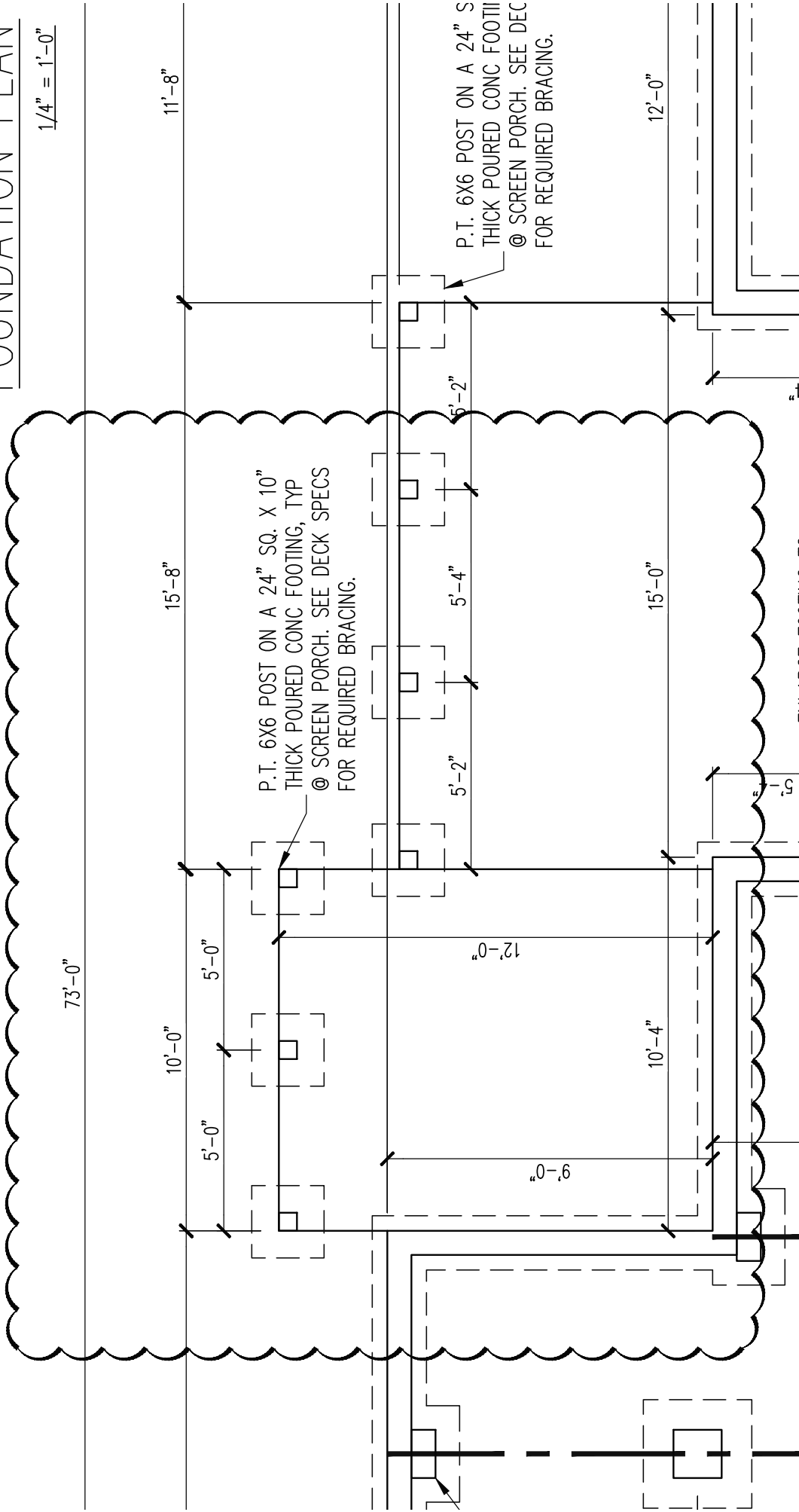


FOUNDATION PLAN

1/4" = 1'-0"



Engineering
Lech
 ASSOCIATES, P.A.

STRUCTURAL ENGINEERS
 License No. C-3870
 318 W Millbrook Rd. Unit 201
 Raleigh, North Carolina 27609
 Phone (919) 844-1661

PARAMOUNT HOMES	
SCOPE	DECK OFF OF PRIMARY BEDROOM
LOC	6 COTTON FARMS
REV #	REF PROJ #
DATE	

ENG: TRB
 DATE: 10/22/2024

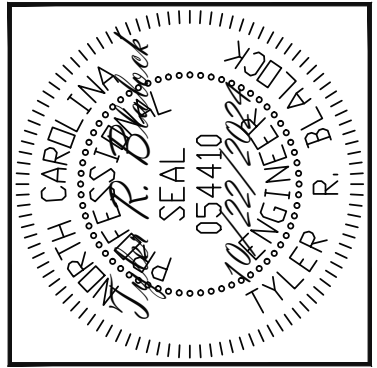
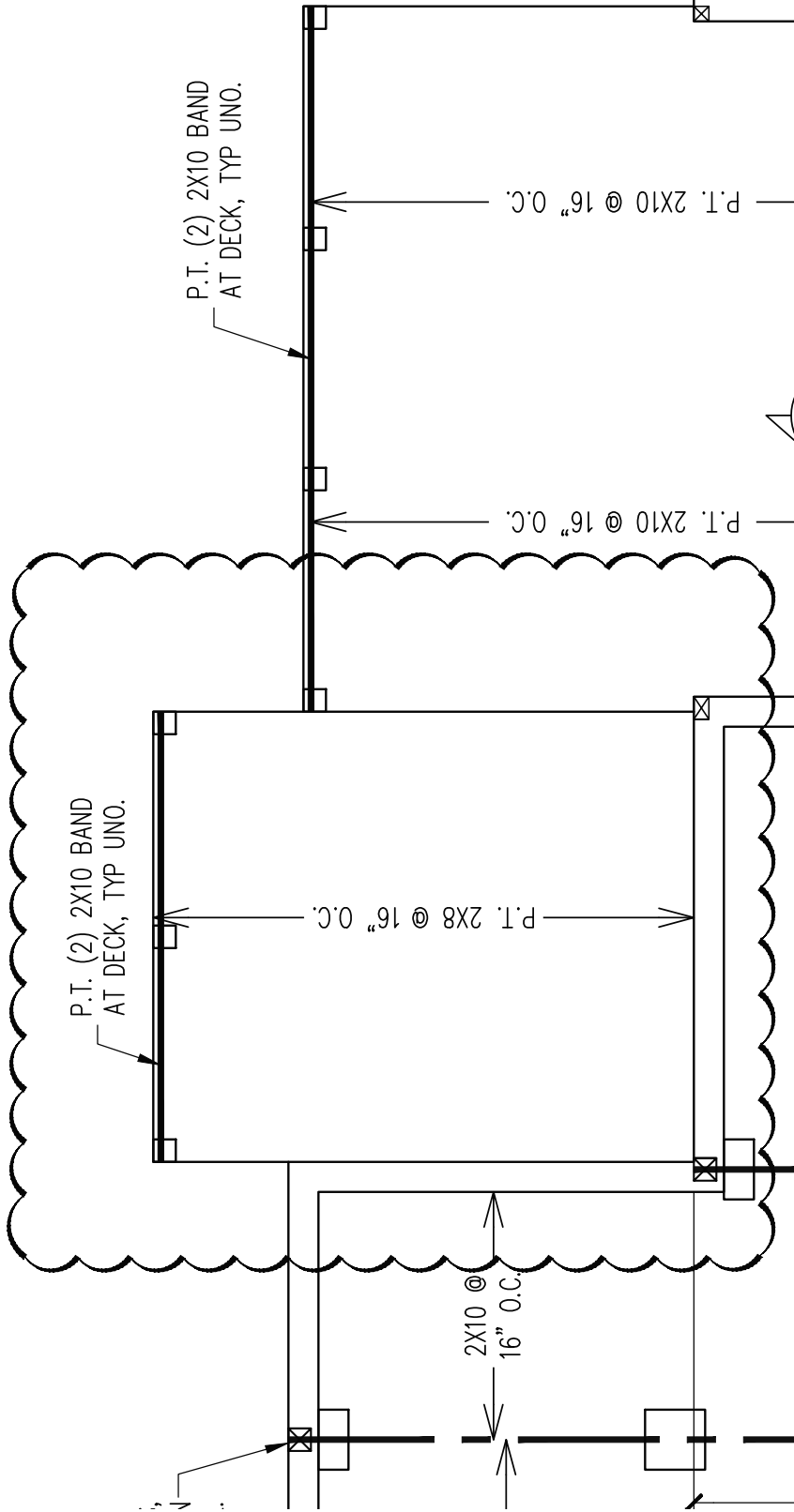
PARENT
 24-65-286

PROJECT NO.
 24-76-120

SHEET NO.
 SL1

CRAWLSPACE FRAMING PLAN

1/4" = 1'-0"



Engineering Lech
ASSOCIATES, P.A.

STRUCTURAL ENGINEERS
License No. C-3870
318 W Millbrook Rd. Unit 201
Raleigh, North Carolina 27609
Phone (919) 844-1661

PARAMOUNT HOMES			
SCOPE	DECK OFF OF PRIMARY BEDROOM		
LOC	6 COTTON FARMS	REV #	REF PROJ #
		DATE	

ENG: TRB
DATE: 10/22/2024

PARENT
24-65-286

PROJECT NO.
24-76-120

SHEET NO.
SL2