

Trenco

818 Soundside Rd
Edenton, NC 27932

Re: Master120
Hayden 120

The truss drawing(s) referenced below have been prepared by Truss Engineering Co. under my direct supervision based on the parameters provided by Builders FirstSource (Apex,NC).

Pages or sheets covered by this seal: I65375544 thru I65375564

My license renewal date for the state of North Carolina is December 31, 2024.

North Carolina COA: C-0844



May 7, 2024

Gilbert, Eric

IMPORTANT NOTE: The seal on these truss component designs is a certification that the engineer named is licensed in the jurisdiction(s) identified and that the designs comply with ANSI/TPI 1. These designs are based upon parameters shown (e.g., loads, supports, dimensions, shapes and design codes), which were given to MiTek or TRENCO. Any project specific information included is for MiTek's or TRENCO's customers file reference purpose only, and was not taken into account in the preparation of these designs. MiTek or TRENCO has not independently verified the applicability of the design parameters or the designs for any particular building. Before use, the building designer should verify applicability of design parameters and properly incorporate these designs into the overall building design per ANSI/TPI 1, Chapter 2.

Job	Truss	Truss Type	Qty	Ply	Hayden 120	165375544
MASTER120	A01	COMMON	5	1		

Builders FirstSource (Apex, NC), Apex, NC - 27523, 8.630 s Apr 26 2024 MiTek Industries, Inc. Mon May 6 08:58:03 2024 Page 1

ID:QnmXaPRpGXrA8yoS4zaUOyyf5FE-RfC?PsB70Hq3NSgPqnL8w3ulTXbGKWrCDoi7J4zJC?f

0-6-0 9-1-10 18-0-0 26-10-6 36-0-0 36-6-0
0-6-0 9-1-10 8-10-6 8-10-6 9-1-10 0-6-0

5x6 = Scale = 1:64.9

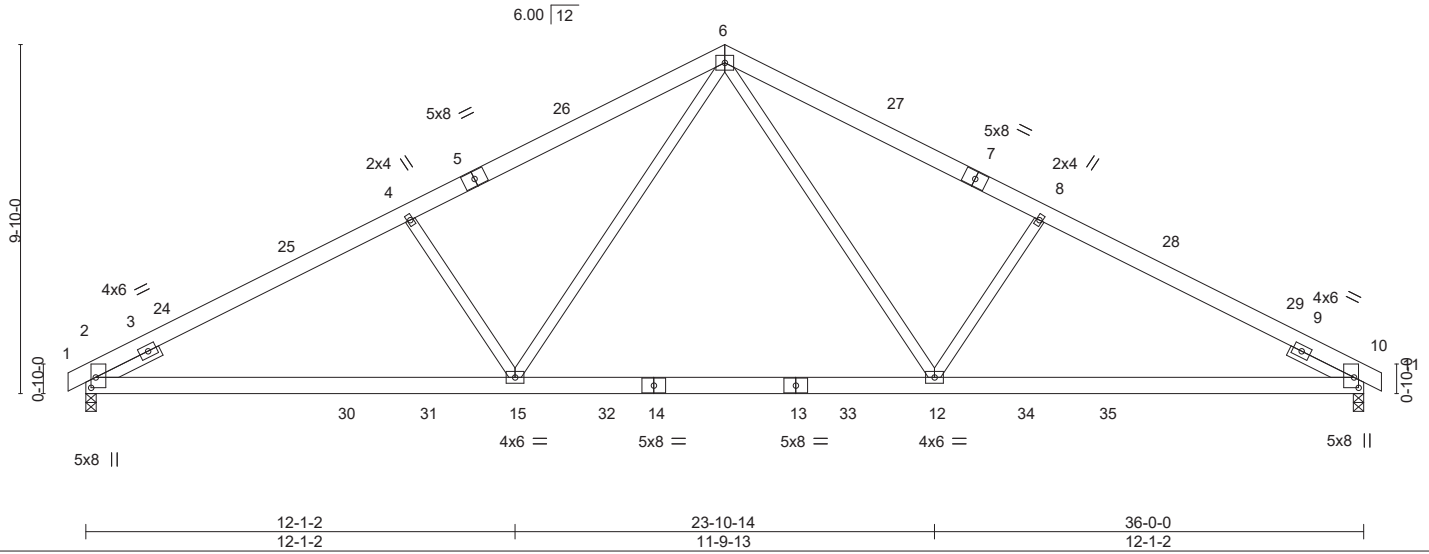


Plate Offsets (X,Y)-- [2:0-3-8,0-1-9], [10:0-3-8,0-1-9]

LOADING (psf)	SPACING-	CSI.	DEFL.	in (loc)	l/defl	L/d	PLATES	GRIP
TCLL 20.0	Plate Grip DOL 1.15	TC 0.46	Vert(LL) -0.26	12-15	>999	360	MT20	244/190
TCDL 10.0	Lumber DOL 1.15	BC 0.73	Vert(CT) -0.41	12-15	>999	240		
BCLL 0.0 *	Rep Stress Incr YES	WB 0.36	Horz(CT) 0.07	10	n/a	n/a		
BCDL 10.0	Code IRC2015/TPI2014	Matrix-MS	Wind(LL) 0.05	15-18	>999	240		
							Weight: 235 lb	FT = 20%

LUMBER-

TOP CHORD 2x6 SP No.2
BOT CHORD 2x6 SP No.2
WEBS 2x4 SP No.3
SLIDER Left 2x4 SP No.3 1-11-12, Right 2x4 SP No.3 1-11-12

BRACING-

TOP CHORD Structural wood sheathing directly applied or 4-4-7 oc purlins.
BOT CHORD Rigid ceiling directly applied or 10-0-0 oc bracing.

REACTIONS.

(size) 2=0-3-8, 10=0-3-8
Max Horz 2=-113(LC 13)
Max Uplift 2=-4(LC 12), 10=-4(LC 13)
Max Grav 2=1467(LC 1), 10=1467(LC 1)

FORCES. (lb) - Max. Comp./Max. Ten. - All forces 250 (lb) or less except when shown.

TOP CHORD 2-4=-2389/189, 4-6=-2188/220, 6-8=-2188/220, 8-10=-2389/189
BOT CHORD 2-15=-71/2066, 12-15=0/1414, 10-12=-73/2066
WEBS 6-12=-15/869, 8-12=-496/184, 6-15=-15/869, 4-15=-496/184

NOTES-

- Unbalanced roof live loads have been considered for this design.
- Wind: ASCE 7-10; Vult=120mph Vasd=95mph; TCDL=6.0psf; BCDL=6.0psf; h=32ft; Cat. II; Exp B; Enclosed; MWFRS (envelope) gable end zone and C-C Exterior(2) -0-6-0 to 2-6-0, Interior(1) 2-6-0 to 18-0-0, Exterior(2) 18-0-0 to 22-2-15, Interior(1) 22-2-15 to 36-6-0 zone; cantilever left and right exposed; end vertical left and right exposed; C-C for members and forces & MWFRS for reactions shown; Lumber DOL=1.60 plate grip DOL=1.60
- This truss has been designed for a 10.0 psf bottom chord live load nonconcurrent with any other live loads.
- * This truss has been designed for a live load of 20.0psf on the bottom chord in all areas where a rectangle 3-6-0 tall by 2-0-0 wide will fit between the bottom chord and any other members, with BCDL = 10.0psf.
- Provide mechanical connection (by others) of truss to bearing plate capable of withstanding 4 lb uplift at joint 2 and 4 lb uplift at joint 10.



May 7, 2024

WARNING - Verify design parameters and READ NOTES ON THIS AND INCLUDED MITEK REFERENCE PAGE MII-7473 rev. 1/2/2023 BEFORE USE.

Design valid for use only with MiTek® connectors. This design is based only upon parameters shown, and is for an individual building component, not a truss system. Before use, the building designer must verify the applicability of design parameters and properly incorporate this design into the overall building design. Bracing indicated is to prevent buckling of individual truss web and/or chord members only. Additional temporary and permanent bracing is always required for stability and to prevent collapse with possible personal injury and property damage. For general guidance regarding the fabrication, storage, delivery, erection and bracing of trusses and truss systems, see **ANSI/TPI1 Quality Criteria and DSB-22** available from Truss Plate Institute (www.tpinst.org) and **BCSI Building Component Safety Information** available from the Structural Building Component Association (www.sbcacomponents.com)



818 Soundside Road
Edenton, NC 27932

Job MASTER120	Truss A01A	Truss Type COMMON	Qty 4	Ply 1	Hayden 120	165375545
------------------	---------------	----------------------	----------	----------	------------	-----------

Builders FirstSource (Apex, NC), Apex, NC - 27523, ID:QnmXaPRpGXrA8yoS4zaUOyyf5FE-62qdav4eS2lqccRQoiwoRW5Sr8ay2wuTQqeUvxzJ45U 8.630 s Aug 30 2023 MiTek Industries, Inc. Tue May 7 11:12:15 2024 Page 1

-0-6-0	6-2-5	12-1-3	18-0-0	23-10-13	29-9-11	36-0-0	36-6-0
0-6-0	6-2-5	5-10-13	5-10-13	5-10-13	5-10-13	6-2-5	0-6-0

Scale = 1:63.3

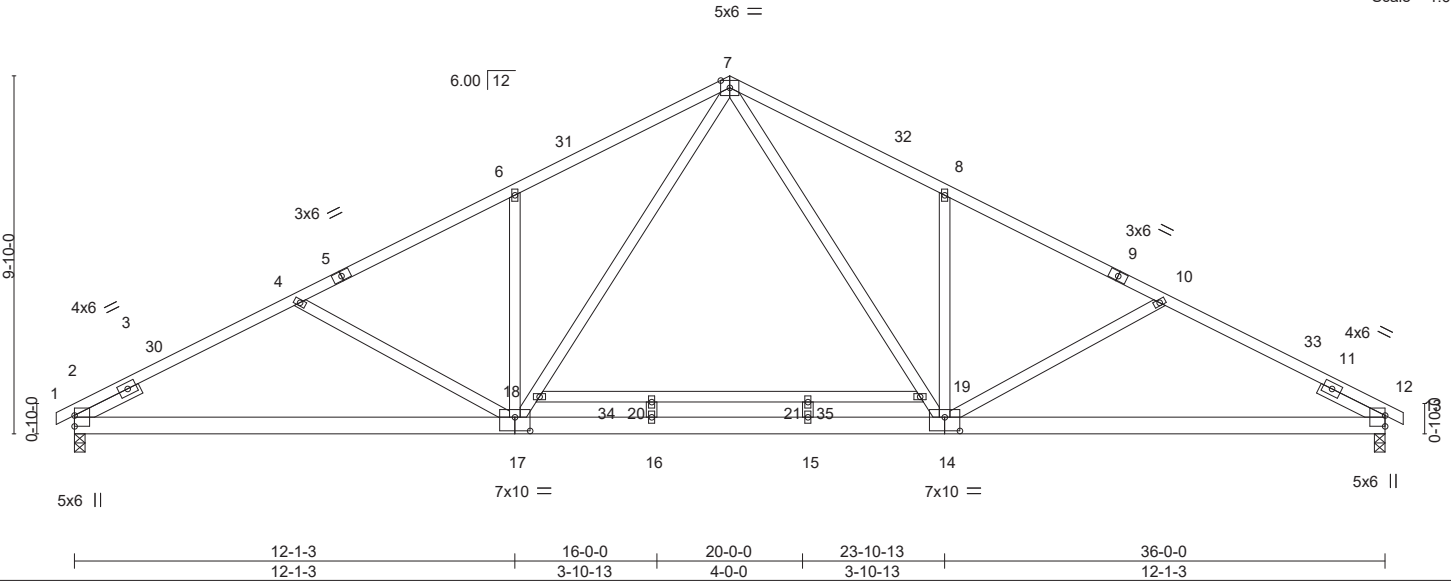


Plate Offsets (X,Y)--	[14:0-5-0,0-4-8], [17:0-5-0,0-4-8]				
LOADING (psf)	SPACING- 2-0-0	CSI.	DEFL. in (loc) l/defl L/d	PLATES	GRIP
TCLL 20.0	Plate Grip DOL 1.15	TC 0.84	Vert(LL) -0.34 15-16 >999 360	MT20	244/190
TCDL 10.0	Lumber DOL 1.15	BC 0.86	Vert(CT) -0.53 15-16 >819 240		
BCLL 0.0 *	Rep Stress Incr NO	WB 0.84	Horz(CT) 0.07 12 n/a n/a		
BCDL 10.0	Code IRC2015/TPI2014	Matrix-MS	Wind(LL) 0.08 15-16 >999 240		
				Weight: 239 lb	FT = 20%

LUMBER-
TOP CHORD 2x4 SP No.2
BOT CHORD 2x6 SP No.2
WEBS 2x4 SP No.3
SLIDER Left 2x4 SP No.3 1-11-12, Right 2x4 SP No.3 1-11-12

BRACING-
TOP CHORD Structural wood sheathing directly applied or 2-7-6 oc purlins.
BOT CHORD Rigid ceiling directly applied or 10-0-0 oc bracing.

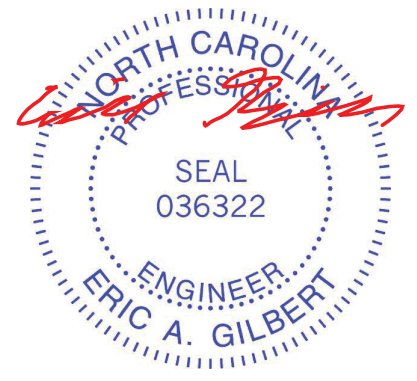
REACTIONS. (size) 2=0-3-8, 12=0-3-8
Max Horz 2=-113(LC 17)
Max Uplift 2=-2(LC 12), 12=-2(LC 13)
Max Grav 2=1470(LC 1), 12=1470(LC 1)

FORCES. (lb) - Max. Comp./Max. Ten. - All forces 250 (lb) or less except when shown.
TOP CHORD 2-4=-2411/200, 4-6=-2125/167, 6-7=-2141/259, 7-8=-2141/259, 8-10=-2125/167, 10-12=-2411/200
BOT CHORD 2-17=-93/2094, 16-17=0/1345, 15-16=0/1345, 14-15=0/1345, 12-14=-94/2094
WEBS 7-19=-80/918, 14-19=-82/917, 8-14=-401/164, 10-14=-316/138, 17-18=-82/918, 7-18=-80/930, 6-17=-401/164, 4-17=-316/138

- NOTES-**
- Unbalanced roof live loads have been considered for this design.
 - Wind: ASCE 7-10; Vult=120mph Vasd=95mph; TCCL=6.0psf; BCCL=6.0psf; h=32ft; Cat. II; Exp B; Enclosed; MWFRS (envelope) gable end zone and C-C Exterior(2) -0-6-0 to 2-6-0, Interior(1) 2-6-0 to 18-0-0, Exterior(2) 18-0-0 to 22-2-15, Interior(1) 22-2-15 to 36-6-0 zone; cantilever left and right exposed; end vertical left and right exposed; C-C for members and forces & MWFRS for reactions shown; Lumber DOL=1.60 plate grip DOL=1.60
 - All plates are 2x4 MT20 unless otherwise indicated.
 - This truss has been designed for a 10.0 psf bottom chord live load nonconcurrent with any other live loads.
 - * This truss has been designed for a live load of 20.0psf on the bottom chord in all areas where a rectangle 3-6-0 tall by 2-0-0 wide will fit between the bottom chord and any other members.
 - All bearings are assumed to be User Defined crushing capacity of 565 psi.
 - Provide mechanical connection (by others) of truss to bearing plate capable of withstanding 2 lb uplift at joint 2 and 2 lb uplift at joint 12.
 - N/A
 - In the LOAD CASE(S) section, loads applied to the face of the truss are noted as front (F) or back (B).

LOAD CASE(S)

- Dead + Roof Live (balanced): Lumber Increase=1.15, Plate Increase=1.15
Uniform Loads (plf)
Vert: 1-7=-60, 7-13=-60, 22-26=-20



May 7, 2024

Job MASTER120	Truss A01A	Truss Type COMMON	Qty 4	Ply 1	Hayden 120 Job Reference (optional)	165375545
------------------	---------------	----------------------	----------	----------	--	-----------

Builders FirstSource (Apex, NC), Apex, NC - 27523,

8.630 s Aug 30 2023 MiTek Industries, Inc. Tue May 7 11:12:16 2024 Page 2
ID:QnmXaPRpGXrA8yoS4zaUOyyf5FE-aEO0nF5GDMQhEm0cMPR1_jedbyWbnN8dfUN2SNzJ45T

LOAD CASE(S)

- 2) Dead + 0.75 Roof Live (balanced) + 0.75 Uninhab. Attic Storage: Lumber Increase=1.15, Plate Increase=1.15
Uniform Loads (plf)
Vert: 1-7=-50, 7-13=-50, 22-26=-20, 34-35=-30(F)
- 3) Dead + Uninhabitable Attic Without Storage: Lumber Increase=1.25, Plate Increase=1.25
Uniform Loads (plf)
Vert: 1-7=-20, 7-13=-20, 22-26=-40, 34-35=-40(F)
- 4) Dead + 0.6 C-C Wind (Pos. Internal) Case 1: Lumber Increase=1.60, Plate Increase=1.60
Uniform Loads (plf)
Vert: 1-2=47, 2-30=25, 7-30=14, 7-32=25, 12-32=14, 12-13=9, 22-26=-12
Horz: 1-2=-59, 2-30=-37, 7-30=-26, 7-32=37, 12-32=26, 12-13=21
- 5) Dead + 0.6 C-C Wind (Pos. Internal) Case 2: Lumber Increase=1.60, Plate Increase=1.60
Uniform Loads (plf)
Vert: 1-2=9, 2-31=14, 7-31=25, 7-33=14, 12-33=25, 12-13=47, 22-26=-12
Horz: 1-2=-21, 2-31=-26, 7-31=-37, 7-33=26, 12-33=37, 12-13=59
- 6) Dead + 0.6 C-C Wind (Neg. Internal) Case 1: Lumber Increase=1.60, Plate Increase=1.60
Uniform Loads (plf)
Vert: 1-2=-12, 2-7=-33, 7-12=-33, 12-13=-28, 22-26=-20
Horz: 1-2=-8, 2-7=13, 7-12=-13, 12-13=-8
- 7) Dead + 0.6 C-C Wind (Neg. Internal) Case 2: Lumber Increase=1.60, Plate Increase=1.60
Uniform Loads (plf)
Vert: 1-2=-28, 2-7=-33, 7-12=-33, 12-13=-12, 22-26=-20
Horz: 1-2=8, 2-7=13, 7-12=-13, 12-13=8
- 8) Dead + 0.6 MWFRS Wind (Pos. Internal) Left: Lumber Increase=1.60, Plate Increase=1.60
Uniform Loads (plf)
Vert: 1-2=9, 2-7=-2, 7-12=9, 12-13=4, 22-26=-12
Horz: 1-2=-21, 2-7=-10, 7-12=21, 12-13=16
- 9) Dead + 0.6 MWFRS Wind (Pos. Internal) Right: Lumber Increase=1.60, Plate Increase=1.60
Uniform Loads (plf)
Vert: 1-2=4, 2-7=9, 7-12=-2, 12-13=9, 22-26=-12
Horz: 1-2=-16, 2-7=-21, 7-12=10, 12-13=21
- 10) Dead + 0.6 MWFRS Wind (Neg. Internal) Left: Lumber Increase=1.60, Plate Increase=1.60
Uniform Loads (plf)
Vert: 1-2=-15, 2-7=-20, 7-12=-9, 12-13=-4, 22-26=-20
Horz: 1-2=-5, 2-7=-0, 7-12=11, 12-13=16
- 11) Dead + 0.6 MWFRS Wind (Neg. Internal) Right: Lumber Increase=1.60, Plate Increase=1.60
Uniform Loads (plf)
Vert: 1-2=-4, 2-7=-9, 7-12=-20, 12-13=-15, 22-26=-20
Horz: 1-2=-16, 2-7=-11, 7-12=0, 12-13=5
- 12) Dead + 0.6 MWFRS Wind (Pos. Internal) 1st Parallel: Lumber Increase=1.60, Plate Increase=1.60
Uniform Loads (plf)
Vert: 1-2=17, 2-4=22, 4-7=11, 7-12=3, 12-13=-2, 22-26=-12
Horz: 1-2=-29, 2-4=-34, 4-7=-23, 7-12=15, 12-13=10
- 13) Dead + 0.6 MWFRS Wind (Pos. Internal) 2nd Parallel: Lumber Increase=1.60, Plate Increase=1.60
Uniform Loads (plf)
Vert: 1-2=-2, 2-7=3, 7-10=11, 10-12=22, 12-13=17, 22-26=-12
Horz: 1-2=-10, 2-7=-15, 7-10=23, 10-12=34, 12-13=29
- 14) Dead + 0.6 MWFRS Wind (Pos. Internal) 3rd Parallel: Lumber Increase=1.60, Plate Increase=1.60
Uniform Loads (plf)
Vert: 1-2=7, 2-7=11, 7-12=3, 12-13=-2, 22-26=-12
Horz: 1-2=-19, 2-7=-23, 7-12=15, 12-13=10
- 15) Dead + 0.6 MWFRS Wind (Pos. Internal) 4th Parallel: Lumber Increase=1.60, Plate Increase=1.60
Uniform Loads (plf)
Vert: 1-2=-2, 2-7=3, 7-12=11, 12-13=7, 22-26=-12
Horz: 1-2=-10, 2-7=-15, 7-12=23, 12-13=19
- 16) Dead + 0.6 MWFRS Wind (Neg. Internal) 1st Parallel: Lumber Increase=1.60, Plate Increase=1.60
Uniform Loads (plf)
Vert: 1-2=9, 2-4=4, 4-7=-6, 7-12=-15, 12-13=-10, 22-26=-20
Horz: 1-2=-29, 2-4=-24, 4-7=-14, 7-12=5, 12-13=10
- 17) Dead + 0.6 MWFRS Wind (Neg. Internal) 2nd Parallel: Lumber Increase=1.60, Plate Increase=1.60
Uniform Loads (plf)
Vert: 1-2=-10, 2-7=-15, 7-10=-6, 10-12=4, 12-13=9, 22-26=-20
Horz: 1-2=-10, 2-7=-5, 7-10=14, 10-12=24, 12-13=29
- 18) Dead + Uninhabitable Attic Storage: Lumber Increase=0.90, Plate Increase=0.90 Plt. metal=0.90
Uniform Loads (plf)
Vert: 1-7=-20, 7-13=-20, 22-26=-20, 34-35=-40(F)
- 19) Dead + 0.75 Roof Live (bal.) + 0.75 Uninhab. Attic Storage + 0.75(0.6 MWFRS Wind (Neg. Int) Left): Lumber Increase=1.60, Plate Increase=1.60
Uniform Loads (plf)
Vert: 1-2=-46, 2-7=-50, 7-12=-42, 12-13=-38, 22-26=-20, 34-35=-30(F)
Horz: 1-2=-4, 2-7=-0, 7-12=8, 12-13=12
- 20) Dead + 0.75 Roof Live (bal.) + 0.75 Uninhab. Attic Storage + 0.75(0.6 MWFRS Wind (Neg. Int) Right): Lumber Increase=1.60, Plate Increase=1.60
Uniform Loads (plf)
Vert: 1-2=-38, 2-7=-42, 7-12=-50, 12-13=-46, 22-26=-20, 34-35=-30(F)
Horz: 1-2=-12, 2-7=-8, 7-12=0, 12-13=4

Continued on page 3

WARNING - Verify design parameters and READ NOTES ON THIS AND INCLUDED MITEK REFERENCE PAGE MII-7473 rev. 1/2/2023 BEFORE USE.

Design valid for use only with MiTek® connectors. This design is based only upon parameters shown, and is for an individual building component, not a truss system. Before use, the building designer must verify the applicability of design parameters and properly incorporate this design into the overall building design. Bracing indicated is to prevent buckling of individual truss web and/or chord members only. Additional temporary and permanent bracing is always required for stability and to prevent collapse with possible personal injury and property damage. For general guidance regarding the fabrication, storage, delivery, erection and bracing of trusses and truss systems, see **ANSI/TP1 Quality Criteria and DSB-22** available from Truss Plate Institute (www.tpinst.org) and **BCSI Building Component Safety Information** available from the Structural Building Component Association (www.sbcacomponents.com)



818 Soundside Road
Edenton, NC 27932

Job MASTER120	Truss A01A	Truss Type COMMON	Qty 4	Ply 1	Hayden 120 Job Reference (optional)	165375545
------------------	---------------	----------------------	----------	----------	--	-----------

Builders FirstSource (Apex, NC), Apex, NC - 27523,

8.630 s Aug 30 2023 MiTek Industries, Inc. Tue May 7 11:12:16 2024 Page 3
ID:QnmXaPRpGXrA8yoS4zaUOyyf5FE-aEO0nF5GDMQhEm0cMPR1_jedbYwBnN8dfUN2SNzJ45T

LOAD CASE(S)

- 21) Dead + 0.75 Roof Live (bal.) + 0.75 Uninhab. Attic Storage + 0.75(0.6 MWFRS Wind (Neg. Int) 1st Parallel): Lumber Increase=1.60, Plate Increase=1.60
Uniform Loads (plf)
Vert: 1-2=-28, 2-4=-32, 4-7=-40, 7-12=-46, 12-13=-43, 22-26=-20, 34-35=-30(F)
Horz: 1-2=-22, 2-4=-18, 4-7=-10, 7-12=4, 12-13=7
- 22) Dead + 0.75 Roof Live (bal.) + 0.75 Uninhab. Attic Storage + 0.75(0.6 MWFRS Wind (Neg. Int) 2nd Parallel): Lumber Increase=1.60, Plate Increase=1.60
Uniform Loads (plf)
Vert: 1-2=-43, 2-7=-46, 7-10=-40, 10-12=-32, 12-13=-28, 22-26=-20, 34-35=-30(F)
Horz: 1-2=-7, 2-7=-4, 7-10=10, 10-12=18, 12-13=22
- 23) 1st Dead + Roof Live (unbalanced): Lumber Increase=1.15, Plate Increase=1.15
Uniform Loads (plf)
Vert: 1-7=-60, 7-13=-20, 22-26=-20
- 24) 2nd Dead + Roof Live (unbalanced): Lumber Increase=1.15, Plate Increase=1.15
Uniform Loads (plf)
Vert: 1-7=-20, 7-13=-60, 22-26=-20
- 25) 3rd Dead + 0.75 Roof Live (unbalanced) + 0.75 Uninhab. Attic Storage: Lumber Increase=1.15, Plate Increase=1.15
Uniform Loads (plf)
Vert: 1-7=-50, 7-13=-20, 22-26=-20, 34-35=-30(F)
- 26) 4th Dead + 0.75 Roof Live (unbalanced) + 0.75 Uninhab. Attic Storage: Lumber Increase=1.15, Plate Increase=1.15
Uniform Loads (plf)
Vert: 1-7=-20, 7-13=-50, 22-26=-20, 34-35=-30(F)

WARNING - Verify design parameters and READ NOTES ON THIS AND INCLUDED MITEK REFERENCE PAGE MII-7473 rev. 1/2/2023 BEFORE USE.

Design valid for use only with MiTek® connectors. This design is based only upon parameters shown, and is for an individual building component, not a truss system. Before use, the building designer must verify the applicability of design parameters and properly incorporate this design into the overall building design. Bracing indicated is to prevent buckling of individual truss web and/or chord members only. Additional temporary and permanent bracing is always required for stability and to prevent collapse with possible personal injury and property damage. For general guidance regarding the fabrication, storage, delivery, erection and bracing of trusses and truss systems, see **ANSI/TP1 Quality Criteria and DSB-22** available from Truss Plate Institute (www.tpinst.org) and **BCSI Building Component Safety Information** available from the Structural Building Component Association (www.sbcacomponents.com)



818 Soundside Road
Edenton, NC 27932

Job	Truss	Truss Type	Qty	Ply	Hayden 120	I65375546
MASTER120	A01G	GABLE	1	1		

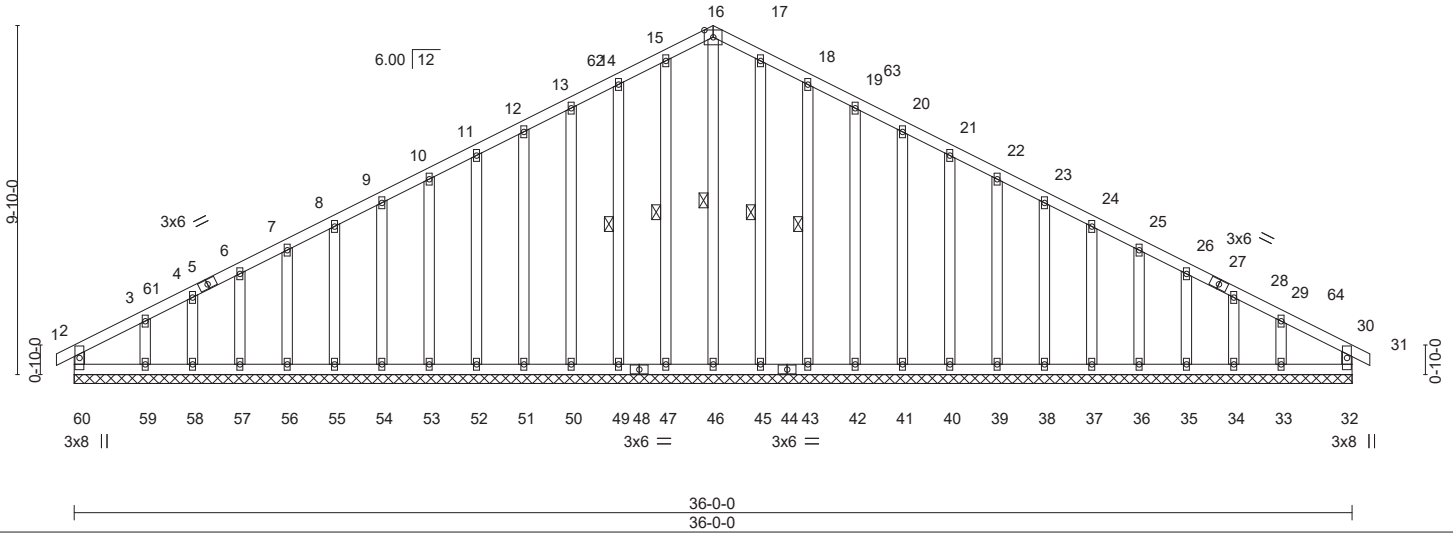
Builders FirstSource (Apex, NC), Apex, NC - 27523, 8.630 s Apr 26 2024 MiTek Industries, Inc. Mon May 6 08:58:05 2024 Page 1

ID:QnmXaPRpGXrA8yoS4zaUOyyf5FE-RfC?PsB70Hq3NSgPqnL8w3ulTXbGKWrcDoi7J4zJC?f

-0-6-0 18-0-0 36-0-0 36-6-0
0-6-0 18-0-0 18-0-0 0-6-0

5x6 =

Scale = 1:64.9



LOADING (psf)	SPACING- 2-0-0	CSI.	DEFL. in (loc) l/defl L/d	PLATES	GRIP
TCLL 20.0	Plate Grip DOL 1.15	TC 0.09	Vert(LL) -0.00 30 n/r 120	MT20	244/190
TCDL 10.0	Lumber DOL 1.15	BC 0.07	Vert(CT) 0.00 30 n/r 120		
BCLL 0.0 *	Rep Stress Incr NO	WB 0.09	Horz(CT) 0.01 32 n/a n/a		
BCDL 10.0	Code IRC2015/TPI2014	Matrix-R		Weight: 307 lb	FT = 20%

LUMBER-

TOP CHORD 2x4 SP No.2
BOT CHORD 2x4 SP No.2
WEBS 2x4 SP No.2
OTHERS 2x4 SP No.3

BRACING-

TOP CHORD Structural wood sheathing directly applied or 6-0-0 oc purlins, except end verticals.
BOT CHORD Rigid ceiling directly applied or 10-0-0 oc bracing.
WEBS 1 Row at midpt 16-46, 15-47, 14-49, 17-45, 18-43

REACTIONS.

All bearings 36-0-0.
(lb) - Max Horz 60=-117(LC 13)
Max Uplift All uplift 100 lb or less at joint(s) 60, 32, 47, 49, 50, 51, 52, 53, 54, 55, 56, 57, 58, 45, 43, 42, 41, 40, 39, 38, 37, 36, 35, 34, 33 except 59=-105(LC 12)
Max Grav All reactions 250 lb or less at joint(s) 60, 32, 46, 47, 49, 50, 51, 52, 53, 54, 55, 56, 57, 58, 59, 45, 43, 42, 41, 40, 39, 38, 37, 36, 35, 34, 33

FORCES. (lb) - Max. Comp./Max. Ten. - All forces 250 (lb) or less except when shown.

TOP CHORD 13-14=-95/266, 14-15=-106/297, 15-16=-110/311, 16-17=-110/305, 17-18=-106/292, 18-19=-95/260

NOTES-

- Unbalanced roof live loads have been considered for this design.
- Wind: ASCE 7-10; Vult=120mph Vasd=95mph; TCDL=6.0psf; BCDL=6.0psf; h=32ft; Cat. II; Exp B; Enclosed; MWFRS (envelope) gable end zone and C-C Corner(3) -0-6-0 to 2-6-0, Exterior(2) 2-6-0 to 18-0-0, Corner(3) 18-0-0 to 21-0-0, Exterior(2) 21-0-0 to 36-6-0 zone; cantilever left and right exposed; end vertical left and right exposed; C-C for members and forces & MWFRS for reactions shown; Lumber DOL=1.60 plate grip DOL=1.60
- Truss designed for wind loads in the plane of the truss only. For studs exposed to wind (normal to the face), see Standard Industry Gable End Details as applicable, or consult qualified building designer as per ANSI/TPI 1.
- All plates are 2x4 MT20 unless otherwise indicated.
- Gable requires continuous bottom chord bearing.
- Truss to be fully sheathed from one face or securely braced against lateral movement (i.e. diagonal web).
- Gable studs spaced at 1-4-0 oc.
- This truss has been designed for a 10.0 psf bottom chord live load nonconcurrent with any other live loads.
- * This truss has been designed for a live load of 20.0psf on the bottom chord in all areas where a rectangle 3-6-0 tall by 2-0-0 wide will fit between the bottom chord and any other members.
- Provide mechanical connection (by others) of truss to bearing plate capable of withstanding 100 lb uplift at joint(s) 60, 32, 47, 49, 50, 51, 52, 53, 54, 55, 56, 57, 58, 45, 43, 42, 41, 40, 39, 38, 37, 36, 35, 34, 33 except (jt=lb) 59=105.



May 7, 2024

WARNING - Verify design parameters and READ NOTES ON THIS AND INCLUDED MITEK REFERENCE PAGE MII-7473 rev. 1/2/2023 BEFORE USE.

Design valid for use only with MiTek® connectors. This design is based only upon parameters shown, and is for an individual building component, not a truss system. Before use, the building designer must verify the applicability of design parameters and properly incorporate this design into the overall building design. Bracing indicated is to prevent buckling of individual truss web and/or chord members only. Additional temporary and permanent bracing is always required for stability and to prevent collapse with possible personal injury and property damage. For general guidance regarding the fabrication, storage, delivery, erection and bracing of trusses and truss systems, see **ANSI/TPI1 Quality Criteria and DSB-22** available from Truss Plate Institute (www.tpinst.org) and **BCSI Building Component Safety Information** available from the Structural Building Component Association (www.sbcacomponents.com)



818 Soundside Road
Edenton, NC 27932

Job	Truss	Truss Type	Qty	Ply	Hayden 120	I65375547
MASTER120	A02	COMMON	9	1		

Builders FirstSource (Apex, NC), Apex, NC - 27523, 8.630 s Apr 26 2024 MiTek Industries, Inc. Mon May 6 08:58:06 2024 Page 1
 ID:QnmXaPRpGXrA8yoS4zaUOyyf5FE-RfC?PsB70Hq3NSgPqnL8w3ulTXbGKWrcDoi7J4zJC?f

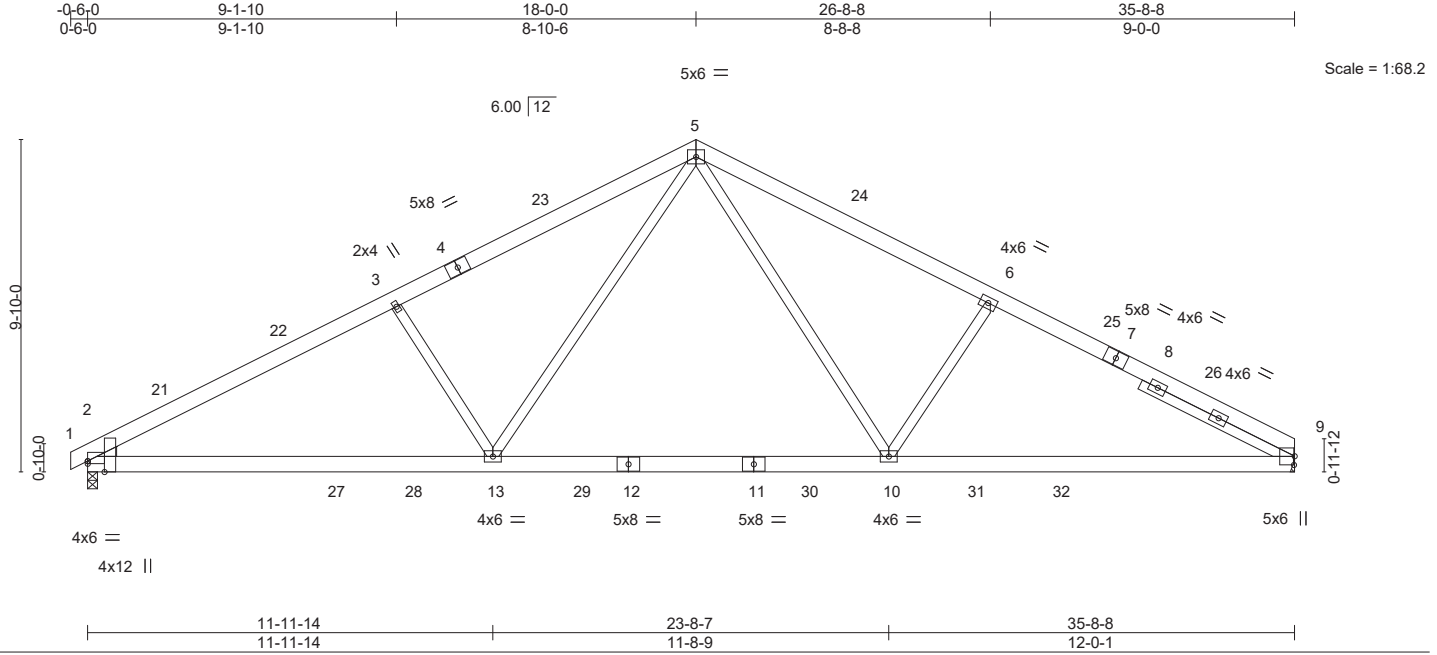


Plate Offsets (X,Y)-- [2:0-0-0,0-0-15], [2:0-3-14,Edge], [9:0-3-2,0-0-4]

LOADING (psf)	SPACING-	CSI.	DEFL.	in (loc)	l/defl	L/d	PLATES	GRIP
TCLL 20.0	Plate Grip DOL 1.15	TC 0.44	Vert(LL) -0.24	10-13	>999	360	MT20	244/190
TCDL 10.0	Lumber DOL 1.15	BC 0.73	Vert(CT) -0.38	10-13	>999	240		
BCLL 0.0 *	Rep Stress Incr YES	WB 0.37	Horz(CT) 0.06	9	n/a	n/a		
BCDL 10.0	Code IRC2015/TP12014	Matrix-MS	Wind(LL) 0.05	13-16	>999	240		
							Weight: 235 lb	FT = 20%

LUMBER-
 TOP CHORD 2x6 SP No.2
 BOT CHORD 2x6 SP No.2
 WEBS 2x4 SP No.3
 WEDGE
 Left: 2x4 SP No.3
 SLIDER Right 2x4 SP No.3 5-0-7

BRACING-
 TOP CHORD Structural wood sheathing directly applied or 4-3-13 oc purlins.
 BOT CHORD Rigid ceiling directly applied or 10-0-0 oc bracing.

REACTIONS. (size) 2=0-3-8, 9=Mechanical
 Max Horz 2=117(LC 12)
 Max Uplift 2=-3(LC 12)
 Max Grav 2=1459(LC 1), 9=1428(LC 1)

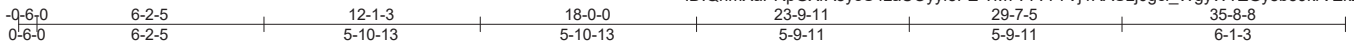
FORCES. (lb) - Max. Comp./Max. Ten. - All forces 250 (lb) or less except when shown.
 TOP CHORD 2-3=-2434/190, 3-5=-2218/224, 5-6=-2165/224, 6-9=-2281/193
 BOT CHORD 2-13=-91/2099, 10-13=0/1417, 9-10=-79/2037
 WEBS 3-13=-516/187, 5-13=-20/896, 5-10=-17/852, 6-10=-481/182

- NOTES-**
- Unbalanced roof live loads have been considered for this design.
 - Wind: ASCE 7-10; Vult=120mph Vasd=95mph; TCCL=6.0psf; BCDL=6.0psf; h=32ft; Cat. II; Exp B; Enclosed; MWFRS (envelope) gable end zone and C-C Exterior(2) -0-6-0 to 2-6-0, Interior(1) 2-6-0 to 18-0-0, Exterior(2) 18-0-0 to 22-2-15, Interior(1) 22-2-15 to 35-8-8 zone; cantilever left and right exposed; end vertical left and right exposed; C-C for members and forces & MWFRS for reactions shown; Lumber DOL=1.60 plate grip DOL=1.60
 - This truss has been designed for a 10.0 psf bottom chord live load nonconcurrent with any other live loads.
 - * This truss has been designed for a live load of 20.0psf on the bottom chord in all areas where a rectangle 3-6-0 tall by 2-0-0 wide will fit between the bottom chord and any other members, with BCDL = 10.0psf.
 - Refer to girder(s) for truss to truss connections.
 - Provide mechanical connection (by others) of truss to bearing plate capable of withstanding 100 lb uplift at joint(s) 2.



Job MASTER120	Truss A02A	Truss Type COMMON	Qty 1	Ply 1	Hayden 120	165375548
------------------	---------------	----------------------	----------	----------	------------	-----------

Builders FirstSource (Apex, NC), Apex, NC - 27523, 8.630 s Aug 30 2023 MiTek Industries, Inc. Tue May 7 11:12:53 2024 Page 1
 ID:QnmXaPRpGXrA8yoS4zaUOyyf5FE-?M7?YvYTVj4RASLj0gci_WgyWTZGy8b39krVEKzJ44u



5x6 =

Scale = 1:62.9

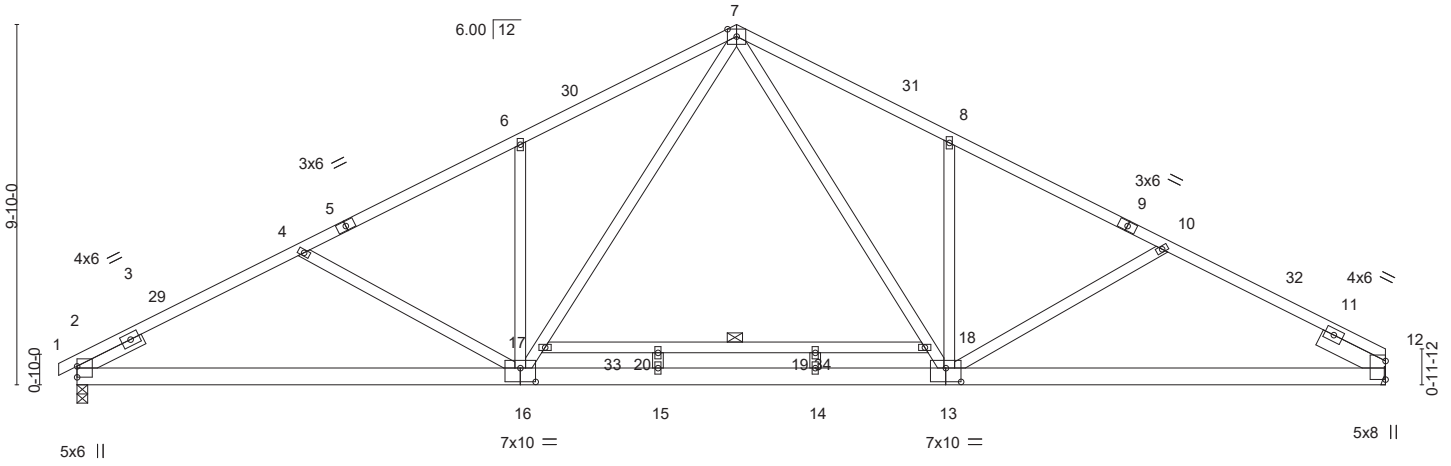


Plate Offsets (X,Y)--	[13:0-5-0,0-4-8], [16:0-5-0,0-4-8]
-----------------------	------------------------------------

LOADING (psf)	SPACING-	2-0-0	CSI.	DEFL.	in (loc)	l/defl	L/d	PLATES	GRIP	
TCLL 20.0	Plate Grip DOL	1.15	TC 0.82	Vert(LL)	-0.30	14-15	>999	360	MT20	244/190
TCDL 10.0	Lumber DOL	1.15	BC 0.83	Vert(CT)	-0.48	14-15	>892	240		
BCLL 0.0 *	Rep Stress Incr	NO	WB 0.76	Horz(CT)	0.08	12	n/a	n/a		
BCDL 10.0	Code IRC2015/TPI2014		Matrix-MS	Wind(LL)	0.08	14-15	>999	240		
									Weight: 239 lb	FT = 20%

LUMBER-	BRACING-
TOP CHORD 2x4 SP No.2 *Except* 9-12: 2x4 SP No.1	TOP CHORD Structural wood sheathing directly applied or 2-9-3 oc purlins.
BOT CHORD 2x6 SP No.2	BOT CHORD Rigid ceiling directly applied or 10-0-0 oc bracing.
WEBS 2x4 SP No.3	WEBS 1 Row at midpt 17-18
SLIDER Left 2x4 SP No.3 1-11-12, Right 2x6 SP No.2 1-11-12	

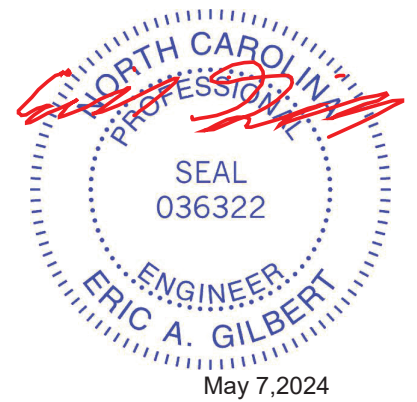
REACTIONS. (size) 2=0-3-8, 12=Mechanical
 Max Horz 2=117(LC 12)
 Max Uplift 2=-3(LC 12)
 Max Grav 2=1459(LC 1), 12=1428(LC 1)

FORCES. (lb) - Max. Comp./Max. Ten. - All forces 250 (lb) or less except when shown.
 TOP CHORD 2-4=-2388/199, 4-6=-2102/166, 6-7=-2118/260, 7-8=-2069/257, 8-10=-2057/169,
 10-12=-2312/199
 BOT CHORD 2-16=-110/2074, 15-16=0/1361, 14-15=0/1361, 13-14=0/1361, 12-13=-103/1994
 WEBS 4-16=-316/138, 6-16=-401/164, 16-17=-82/908, 7-17=-81/920, 7-18=-77/868,
 13-18=-76/845, 8-13=-398/161, 10-13=-276/135

- NOTES-**
- Unbalanced roof live loads have been considered for this design.
 - Wind: ASCE 7-10; Vult=120mph Vasd=95mph; TC DL=6.0psf; BCDL=6.0psf; h=32ft; Cat. II; Exp B; Enclosed; MWFRS (envelope) gable end zone and C-C Exterior(2) -0-6-0 to 2-6-0, Interior(1) 2-6-0 to 18-0-0, Exterior(2) 18-0-0 to 22-2-15, Interior(1) 22-2-15 to 35-8-8 zone; cantilever left and right exposed; end vertical left and right exposed; C-C for members and forces & MWFRS for reactions shown; Lumber DOL=1.60 plate grip DOL=1.60
 - All plates are 2x4 MT20 unless otherwise indicated.
 - This truss has been designed for a 10.0 psf bottom chord live load nonconcurrent with any other live loads.
 - * This truss has been designed for a live load of 20.0psf on the bottom chord in all areas where a rectangle 3-6-0 tall by 2-0-0 wide will fit between the bottom chord and any other members.
 - All bearings are assumed to be User Defined crushing capacity of 565 psi.
 - Refer to girder(s) for truss to bearing connections.
 - Provide mechanical connection (by others) of truss to bearing plate capable of withstanding 3 lb uplift at joint 2.
 - N/A

10) In the LOAD CASE(S) section, loads applied to the face of the truss are noted as front (F) or back (B).

LOAD CASE(S)
 1) Dead + Roof Live (balanced): Lumber Increase=1.15, Plate Increase=1.15
 Uniform Loads (plf)
 Vert: 1-7=-60, 7-12=-60, 21-25=-20



Job MASTER120	Truss A02A	Truss Type COMMON	Qty 1	Ply 1	Hayden 120 Job Reference (optional)	165375548
------------------	---------------	----------------------	----------	----------	--	-----------

Builders FirstSource (Apex, NC), Apex, NC - 27523,

8.630 s Aug 30 2023 MiTek Industries, Inc. Tue May 7 11:12:53 2024 Page 2
ID:QnmXaPRpGXrA8yoS4zaUOyyf5FE-?M7?YvYTVj4RASLj0gci_WgyWTZGy8b39krVEkzJ44u

LOAD CASE(S)

- 2) Dead + 0.75 Roof Live (balanced) + 0.75 Uninhab. Attic Storage: Lumber Increase=1.15, Plate Increase=1.15
Uniform Loads (plf)
Vert: 1-7=-50, 7-12=-50, 21-25=-20, 33-34=-30(F)
- 3) Dead + Uninhabitable Attic Without Storage: Lumber Increase=1.25, Plate Increase=1.25
Uniform Loads (plf)
Vert: 1-7=-20, 7-12=-20, 21-25=-40, 33-34=-40(F)
- 4) Dead + 0.6 C-C Wind (Pos. Internal) Case 1: Lumber Increase=1.60, Plate Increase=1.60
Uniform Loads (plf)
Vert: 1-2=47, 2-29=25, 7-29=14, 7-31=25, 12-31=14, 21-25=-12
Horz: 1-2=-59, 2-29=-37, 7-29=-26, 7-31=37, 12-31=26
- 5) Dead + 0.6 C-C Wind (Pos. Internal) Case 2: Lumber Increase=1.60, Plate Increase=1.60
Uniform Loads (plf)
Vert: 1-2=9, 2-30=14, 7-30=25, 7-32=14, 12-32=25, 21-25=-12
Horz: 1-2=-21, 2-30=-26, 7-30=-37, 7-32=26, 12-32=37
- 6) Dead + 0.6 C-C Wind (Neg. Internal) Case 1: Lumber Increase=1.60, Plate Increase=1.60
Uniform Loads (plf)
Vert: 1-2=-12, 2-7=-33, 7-12=-33, 21-25=-20
Horz: 1-2=-8, 2-7=13, 7-12=-13
- 7) Dead + 0.6 C-C Wind (Neg. Internal) Case 2: Lumber Increase=1.60, Plate Increase=1.60
Uniform Loads (plf)
Vert: 1-2=-28, 2-7=-33, 7-12=-33, 21-25=-20
Horz: 1-2=8, 2-7=13, 7-12=-13
- 8) Dead + 0.6 MWFRS Wind (Pos. Internal) Left: Lumber Increase=1.60, Plate Increase=1.60
Uniform Loads (plf)
Vert: 1-2=9, 2-7=-2, 7-12=9, 21-25=-12
Horz: 1-2=-21, 2-7=-10, 7-12=21
- 9) Dead + 0.6 MWFRS Wind (Pos. Internal) Right: Lumber Increase=1.60, Plate Increase=1.60
Uniform Loads (plf)
Vert: 1-2=4, 2-7=9, 7-12=-2, 21-25=-12
Horz: 1-2=-16, 2-7=-21, 7-12=10
- 10) Dead + 0.6 MWFRS Wind (Neg. Internal) Left: Lumber Increase=1.60, Plate Increase=1.60
Uniform Loads (plf)
Vert: 1-2=-15, 2-7=-20, 7-12=-9, 21-25=-20
Horz: 1-2=-5, 2-7=-0, 7-12=11
- 11) Dead + 0.6 MWFRS Wind (Neg. Internal) Right: Lumber Increase=1.60, Plate Increase=1.60
Uniform Loads (plf)
Vert: 1-2=-4, 2-7=-9, 7-12=-20, 21-25=-20
Horz: 1-2=-16, 2-7=-11, 7-12=0
- 12) Dead + 0.6 MWFRS Wind (Pos. Internal) 1st Parallel: Lumber Increase=1.60, Plate Increase=1.60
Uniform Loads (plf)
Vert: 1-2=17, 2-4=22, 4-7=11, 7-12=3, 21-25=-12
Horz: 1-2=-29, 2-4=-34, 4-7=-23, 7-12=15
- 13) Dead + 0.6 MWFRS Wind (Pos. Internal) 2nd Parallel: Lumber Increase=1.60, Plate Increase=1.60
Uniform Loads (plf)
Vert: 1-2=-2, 2-7=3, 7-10=11, 10-12=22, 21-25=-12
Horz: 1-2=-10, 2-7=-15, 7-10=23, 10-12=34
- 14) Dead + 0.6 MWFRS Wind (Pos. Internal) 3rd Parallel: Lumber Increase=1.60, Plate Increase=1.60
Uniform Loads (plf)
Vert: 1-2=7, 2-7=11, 7-12=3, 21-25=-12
Horz: 1-2=-19, 2-7=-23, 7-12=15
- 15) Dead + 0.6 MWFRS Wind (Pos. Internal) 4th Parallel: Lumber Increase=1.60, Plate Increase=1.60
Uniform Loads (plf)
Vert: 1-2=-2, 2-7=3, 7-12=11, 21-25=-12
Horz: 1-2=-10, 2-7=-15, 7-12=23
- 16) Dead + 0.6 MWFRS Wind (Neg. Internal) 1st Parallel: Lumber Increase=1.60, Plate Increase=1.60
Uniform Loads (plf)
Vert: 1-2=9, 2-4=4, 4-7=-6, 7-12=-15, 21-25=-20
Horz: 1-2=-29, 2-4=-24, 4-7=-14, 7-12=5
- 17) Dead + 0.6 MWFRS Wind (Neg. Internal) 2nd Parallel: Lumber Increase=1.60, Plate Increase=1.60
Uniform Loads (plf)
Vert: 1-2=-10, 2-7=-15, 7-10=-6, 10-12=4, 21-25=-20
Horz: 1-2=-10, 2-7=-5, 7-10=14, 10-12=24
- 18) Dead + Uninhabitable Attic Storage: Lumber Increase=0.90, Plate Increase=0.90 Plt. metal=0.90
Uniform Loads (plf)
Vert: 1-7=-20, 7-12=-20, 21-25=-20, 33-34=-40(F)
- 19) Dead + 0.75 Roof Live (bal.) + 0.75 Uninhab. Attic Storage + 0.75(0.6 MWFRS Wind (Neg. Int) Left): Lumber Increase=1.60, Plate Increase=1.60
Uniform Loads (plf)
Vert: 1-2=-46, 2-7=-50, 7-12=-42, 21-25=-20, 33-34=-30(F)
Horz: 1-2=-4, 2-7=-0, 7-12=8
- 20) Dead + 0.75 Roof Live (bal.) + 0.75 Uninhab. Attic Storage + 0.75(0.6 MWFRS Wind (Neg. Int) Right): Lumber Increase=1.60, Plate Increase=1.60
Uniform Loads (plf)
Vert: 1-2=-38, 2-7=-42, 7-12=-50, 21-25=-20, 33-34=-30(F)
Horz: 1-2=-12, 2-7=-8, 7-12=0

Continued on page 3

WARNING - Verify design parameters and READ NOTES ON THIS AND INCLUDED MITEK REFERENCE PAGE MII-7473 rev. 1/2/2023 BEFORE USE.

Design valid for use only with MiTek® connectors. This design is based only upon parameters shown, and is for an individual building component, not a truss system. Before use, the building designer must verify the applicability of design parameters and properly incorporate this design into the overall building design. Bracing indicated is to prevent buckling of individual truss web and/or chord members only. Additional temporary and permanent bracing is always required for stability and to prevent collapse with possible personal injury and property damage. For general guidance regarding the fabrication, storage, delivery, erection and bracing of trusses and truss systems, see **ANSI/TP1 Quality Criteria and DSB-22** available from Truss Plate Institute (www.tpinst.org) and **BCSI Building Component Safety Information** available from the Structural Building Component Association (www.sbcacomponents.com)



818 Soundside Road
Edenton, NC 27932

Job MASTER120	Truss A02A	Truss Type COMMON	Qty 1	Ply 1	Hayden 120 Job Reference (optional)	165375548
------------------	---------------	----------------------	----------	----------	--	-----------

Builders FirstSource (Apex, NC), Apex, NC - 27523,

8.630 s Aug 30 2023 MiTek Industries, Inc. Tue May 7 11:12:53 2024 Page 3
ID:QnmXaPRpGXrA8yoS4zaUOyyf5FE-?M7?YvYTVj4RASLj0gci_WgyWTZGy8b39krVEkzJ44u

LOAD CASE(S)

- 21) Dead + 0.75 Roof Live (bal.) + 0.75 Uninhab. Attic Storage + 0.75(0.6 MWFRS Wind (Neg. Int) 1st Parallel): Lumber Increase=1.60, Plate Increase=1.60
Uniform Loads (plf)
Vert: 1-2=-28, 2-4=-32, 4-7=-40, 7-12=-46, 21-25=-20, 33-34=-30(F)
Horz: 1-2=-22, 2-4=-18, 4-7=-10, 7-12=4
- 22) Dead + 0.75 Roof Live (bal.) + 0.75 Uninhab. Attic Storage + 0.75(0.6 MWFRS Wind (Neg. Int) 2nd Parallel): Lumber Increase=1.60, Plate Increase=1.60
Uniform Loads (plf)
Vert: 1-2=-43, 2-7=-46, 7-10=-40, 10-12=-32, 21-25=-20, 33-34=-30(F)
Horz: 1-2=-7, 2-7=-4, 7-10=10, 10-12=18
- 23) 1st Dead + Roof Live (unbalanced): Lumber Increase=1.15, Plate Increase=1.15
Uniform Loads (plf)
Vert: 1-7=-60, 7-12=-20, 21-25=-20
- 24) 2nd Dead + Roof Live (unbalanced): Lumber Increase=1.15, Plate Increase=1.15
Uniform Loads (plf)
Vert: 1-7=-20, 7-12=-60, 21-25=-20
- 25) 3rd Dead + 0.75 Roof Live (unbalanced) + 0.75 Uninhab. Attic Storage: Lumber Increase=1.15, Plate Increase=1.15
Uniform Loads (plf)
Vert: 1-7=-50, 7-12=-20, 21-25=-20, 33-34=-30(F)
- 26) 4th Dead + 0.75 Roof Live (unbalanced) + 0.75 Uninhab. Attic Storage: Lumber Increase=1.15, Plate Increase=1.15
Uniform Loads (plf)
Vert: 1-7=-20, 7-12=-50, 21-25=-20, 33-34=-30(F)

WARNING - Verify design parameters and READ NOTES ON THIS AND INCLUDED MITEK REFERENCE PAGE MII-7473 rev. 1/2/2023 BEFORE USE.

Design valid for use only with MiTek® connectors. This design is based only upon parameters shown, and is for an individual building component, not a truss system. Before use, the building designer must verify the applicability of design parameters and properly incorporate this design into the overall building design. Bracing indicated is to prevent buckling of individual truss web and/or chord members only. Additional temporary and permanent bracing is always required for stability and to prevent collapse with possible personal injury and property damage. For general guidance regarding the fabrication, storage, delivery, erection and bracing of trusses and truss systems, see **ANSI/TP1 Quality Criteria and DSB-22** available from Truss Plate Institute (www.tpinst.org) and **BCSI Building Component Safety Information** available from the Structural Building Component Association (www.sbcacomponents.com)



818 Soundside Road
Edenton, NC 27932

Job	Truss	Truss Type	Qty	Ply	Hayden 120	I65375549
MASTER120	A02G	GABLE	1	1		

Builders FirstSource (Apex, NC), Apex, NC - 27523,

8.630 s Apr 26 2024 MiTek Industries, Inc. Mon May 6 08:58:08 2024 Page 1

ID:QnmXaPRpGXrA8yoS4zaUOyyf5FE-RfC?PsB70Hq3NSgPqnL8w3ulTXbGKWrCDoi7J4zJC?f



Scale = 1:65.0

LOADING (psf)	SPACING-	2-0-0	CSI.	DEFL.	in	(loc)	l/defl	L/d	PLATES	GRIP
TCLL 20.0	Plate Grip DOL	1.15	TC 0.10	Vert(LL)	0.00	1	n/r	120	MT20	244/190
TCDL 10.0	Lumber DOL	1.15	BC 0.07	Vert(CT)	-0.00	1	n/r	120		
BCLL 0.0 *	Rep Stress Incr	NO	WB 0.09	Horz(CT)	0.00	31	n/a	n/a		
BCDL 10.0	Code	IRC2015/TPI2014	Matrix-R						Weight: 306 lb	FT = 20%

LUMBER-	BRACING-
TOP CHORD 2x4 SP No.2	TOP CHORD Structural wood sheathing directly applied or 6-0-0 oc purlins, except end verticals.
BOT CHORD 2x4 SP No.2	BOT CHORD Rigid ceiling directly applied or 10-0-0 oc bracing.
WEBS 2x4 SP No.2 *Except*	WEBS 1 Row at midpt 16-45, 15-46, 14-48, 17-44, 18-42
30-31: 2x4 SP No.3	
OTHERS 2x4 SP No.3	

REACTIONS. All bearings 35-8-8.
 (lb) - Max Horz 59=122(LC 12)
 Max Uplift All uplift 100 lb or less at joint(s) 59, 31, 46, 48, 49, 50, 51, 52, 53, 54, 55, 56, 57, 42, 41, 40, 39, 38, 37, 36, 35, 34, 33, 32 except 58=106(LC 12)
 Max Grav All reactions 250 lb or less at joint(s) 59, 31, 45, 46, 48, 49, 50, 51, 52, 53, 54, 55, 56, 57, 58, 44, 42, 41, 40, 39, 38, 37, 36, 35, 34, 33, 32

FORCES. (lb) - Max. Comp./Max. Ten. - All forces 250 (lb) or less except when shown.
 TOP CHORD 13-14=-97/271, 14-15=-109/303, 15-16=-112/316, 16-17=-112/309, 17-18=-109/293, 18-19=-97/261

- NOTES-**
- Unbalanced roof live loads have been considered for this design.
 - Wind: ASCE 7-10; Vult=120mph Vasd=95mph; TCCL=6.0psf; BCDL=6.0psf; h=32ft; Cat. II; Exp B; Enclosed; MWFRS (envelope) gable end zone and C-C Corner(3) -0-6-0 to 2-6-0, Exterior(2) 2-6-0 to 18-0-0, Corner(3) 18-0-0 to 21-0-0, Exterior(2) 21-0-0 to 35-6-12 zone; cantilever left and right exposed ; end vertical left and right exposed;C-C for members and forces & MWFRS for reactions shown; Lumber DOL=1.60 plate grip DOL=1.60
 - Truss designed for wind loads in the plane of the truss only. For studs exposed to wind (normal to the face), see Standard Industry Gable End Details as applicable, or consult qualified building designer as per ANSI/TPI 1.
 - All plates are 2x4 MT20 unless otherwise indicated.
 - Gable requires continuous bottom chord bearing.
 - Truss to be fully sheathed from one face or securely braced against lateral movement (i.e. diagonal web).
 - Gable studs spaced at 1-4-0 oc.
 - This truss has been designed for a 10.0 psf bottom chord live load nonconcurrent with any other live loads.
 - * This truss has been designed for a live load of 20.0psf on the bottom chord in all areas where a rectangle 3-6-0 tall by 2-0-0 wide will fit between the bottom chord and any other members.
 - Provide mechanical connection (by others) of truss to bearing plate capable of withstanding 100 lb uplift at joint(s) 59, 31, 46, 48, 49, 50, 51, 52, 53, 54, 55, 56, 57, 42, 41, 40, 39, 38, 37, 36, 35, 34, 33, 32 except (jt=lb) 58=106.



Job	Truss	Truss Type	Qty	Ply	Hayden 120	165375550
MASTER120	B01	COMMON	1	1		

Builders FirstSource (Apex, NC), Apex, NC - 27523, 8.630 s Apr 26 2024 MiTek Industries, Inc. Mon May 6 08:58:09 2024 Page 1

ID:QnmXaPRpGXrA8yoS4zaUOyyf5FE-RfC?PsB70Hq3NSgPqnL8w3ulTXbGKWrcDoi7J4zJC?f



4x6 =

Scale = 1:39.6

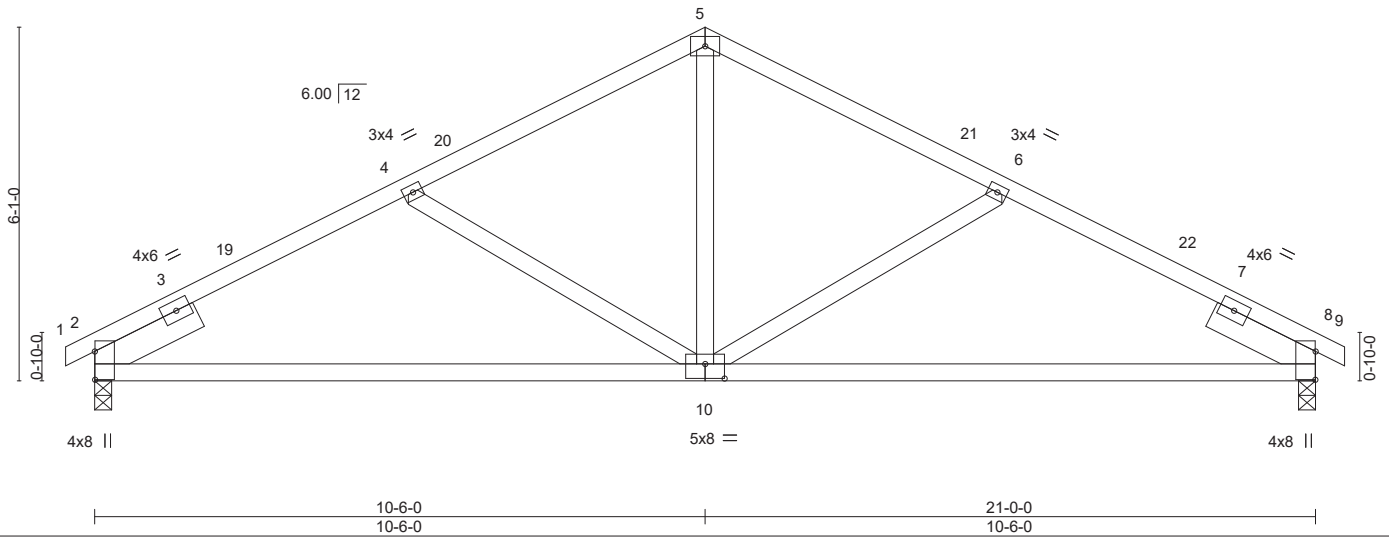


Plate Offsets (X,Y)-- [2:0-5-13,0-0-1], [8:0-5-13,0-0-1], [10:0-4-0,0-3-0]

LOADING (psf)	SPACING-	CSI.	DEFL.	in (loc)	l/defl	L/d	PLATES	GRIP
TCLL 20.0	Plate Grip DOL 1.15	TC 0.33	Vert(LL) -0.15	10-13	>999	360	MT20	244/190
TCDL 10.0	Lumber DOL 1.15	BC 0.88	Vert(CT) -0.30	10-13	>848	240		
BCLL 0.0 *	Rep Stress Incr YES	WB 0.23	Horz(CT) 0.03	8	n/a	n/a		
BCDL 10.0	Code IRC2015/TPI2014	Matrix-MS	Wind(LL) 0.03	10-13	>999	240		
							Weight: 103 lb	FT = 20%

LUMBER-	BRACING-
TOP CHORD 2x4 SP No.2	TOP CHORD Structural wood sheathing directly applied or 5-0-8 oc purlins.
BOT CHORD 2x4 SP No.2	BOT CHORD Rigid ceiling directly applied or 10-0-0 oc bracing.
WEBS 2x4 SP No.3	
SLIDER Left 2x6 SP No.2 1-11-12, Right 2x6 SP No.2 1-11-12	

REACTIONS. (size) 2=0-3-8, 8=0-3-8
 Max Horz 2=82(LC 12)
 Max Uplift 2=-23(LC 12), 8=-23(LC 13)
 Max Grav 2=870(LC 1), 8=870(LC 1)

FORCES. (lb) - Max. Comp./Max. Ten. - All forces 250 (lb) or less except when shown.
 TOP CHORD 2-4=-1224/147, 4-5=-968/122, 5-6=-968/122, 6-8=-1224/147
 BOT CHORD 2-10=-69/1050, 8-10=-69/1050
 WEBS 5-10=0/548, 6-10=-320/137, 4-10=-320/136

- NOTES-**
- 1) Unbalanced roof live loads have been considered for this design.
 - 2) Wind: ASCE 7-10; Vult=120mph Vasd=95mph; TCDL=6.0psf; BCDL=6.0psf; h=32ft; Cat. II; Exp B; Enclosed; MWFRS (envelope) gable end zone and C-C Exterior(2) -0-6-0 to 2-6-0, Interior(1) 2-6-0 to 10-6-0, Exterior(2) 10-6-0 to 14-8-15, Interior(1) 14-8-15 to 21-6-0 zone; cantilever left and right exposed; end vertical left and right exposed; C-C for members and forces & MWFRS for reactions shown; Lumber DOL=1.60 plate grip DOL=1.60
 - 3) This truss has been designed for a 10.0 psf bottom chord live load nonconcurrent with any other live loads.
 - 4) * This truss has been designed for a live load of 20.0psf on the bottom chord in all areas where a rectangle 3-6-0 tall by 2-0-0 wide will fit between the bottom chord and any other members.
 - 5) Provide mechanical connection (by others) of truss to bearing plate capable of withstanding 100 lb uplift at joint(s) 2, 8.



May 7, 2024

Job	Truss	Truss Type	Qty	Ply	Hayden 120	I65375551
MASTER120	B01G	GABLE	1	1	Job Reference (optional)	

Builders FirstSource (Apex, NC), Apex, NC - 27523,

8.630 s Apr 26 2024 MiTek Industries, Inc. Mon May 6 08:58:10 2024 Page 1

ID:QnmXaPRpGXrA8yoS4zaUOyyf5FE-RfC?PsB70Hq3NSgPqnL8w3ulTXbGKWrCDoi7J4zJC?f

-0-6-0 10-6-0 21-0-0 21-6-0
0-6-0 10-6-0 10-6-0 0-6-0

4x6 =

Scale = 1:40.1

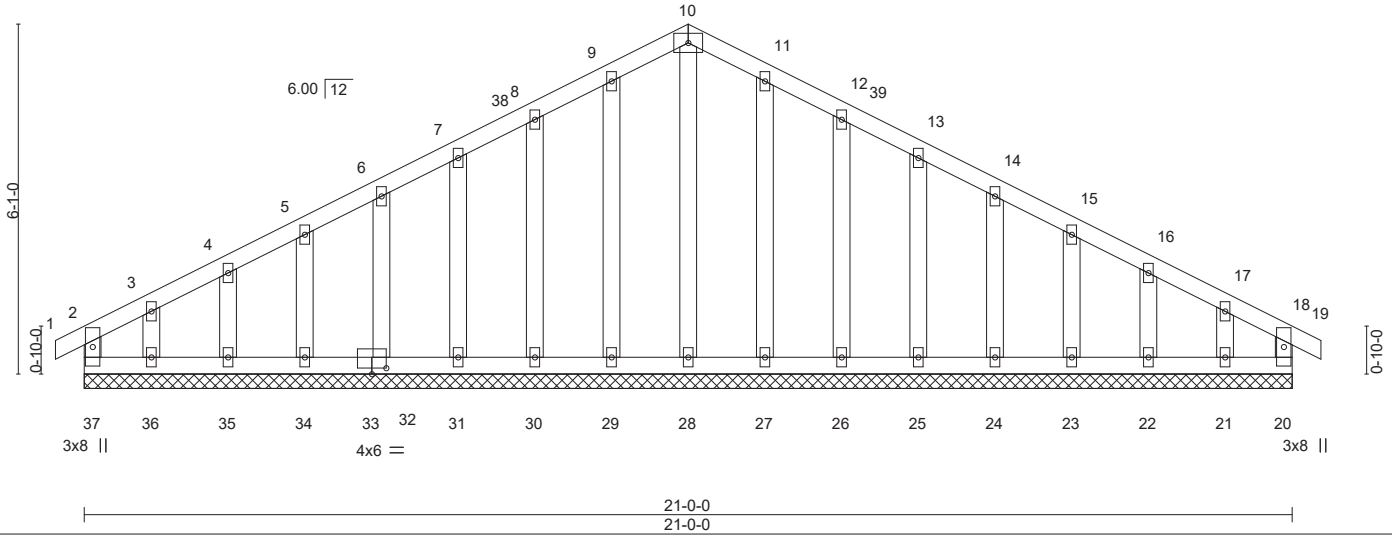


Plate Offsets (X,Y)-- [33:0-3-0,0-1-4]

LOADING (psf)	SPACING-	CSL.	DEFL.	in (loc)	l/defl	L/d	PLATES	GRIP
TCLL 20.0	Plate Grip DOL 1.15	TC 0.06	Vert(LL) -0.00	18	n/r	120	MT20	244/190
TCDL 10.0	Lumber DOL 1.15	BC 0.04	Vert(CT) -0.00	18	n/r	120		
BCLL 0.0 *	Rep Stress Incr NO	WB 0.07	Horz(CT) 0.00	20	n/a	n/a		
BCDL 10.0	Code IRC2015/TPI2014	Matrix-R						
							Weight: 137 lb	FT = 20%

LUMBER-
TOP CHORD 2x4 SP No.2
BOT CHORD 2x4 SP No.2
WEBS 2x4 SP No.2
OTHERS 2x4 SP No.3

BRACING-
TOP CHORD Structural wood sheathing directly applied or 6-0-0 oc purlins, except end verticals.
BOT CHORD Rigid ceiling directly applied or 10-0-0 oc bracing.

REACTIONS. All bearings 21-0-0.
(lb) - Max Horz 37=77(LC 11)
Max Uplift All uplift 100 lb or less at joint(s) 37, 20, 29, 30, 31, 32, 34, 35, 36, 27, 26, 25, 24, 23, 22, 21
Max Grav All reactions 250 lb or less at joint(s) 37, 20, 28, 29, 30, 31, 32, 34, 35, 36, 27, 26, 25, 24, 23, 22, 21

FORCES. (lb) - Max. Comp./Max. Ten. - All forces 250 (lb) or less except when shown.

- NOTES-**
- Unbalanced roof live loads have been considered for this design.
 - Wind: ASCE 7-10; Vult=120mph Vasd=95mph; TCCL=6.0psf; BCDL=6.0psf; h=32ft; Cat. II; Exp B; Enclosed; MWFRS (envelope) gable end zone and C-C Corner(3) -0-6-0 to 2-6-0, Exterior(2) 2-6-0 to 10-6-0, Corner(3) 10-6-0 to 13-6-0, Exterior(2) 13-6-0 to 21-6-0 zone; cantilever left and right exposed; end vertical left and right exposed; C-C for members and forces & MWFRS for reactions shown; Lumber DOL=1.60 plate grip DOL=1.60
 - Truss designed for wind loads in the plane of the truss only. For studs exposed to wind (normal to the face), see Standard Industry Gable End Details as applicable, or consult qualified building designer as per ANSI/TPI 1.
 - All plates are 2x4 MT20 unless otherwise indicated.
 - Gable requires continuous bottom chord bearing.
 - Truss to be fully sheathed from one face or securely braced against lateral movement (i.e. diagonal web).
 - Gable studs spaced at 1-4-0 oc.
 - This truss has been designed for a 10.0 psf bottom chord live load nonconcurrent with any other live loads.
 - * This truss has been designed for a live load of 20.0psf on the bottom chord in all areas where a rectangle 3-6-0 tall by 2-0-0 wide will fit between the bottom chord and any other members.
 - Provide mechanical connection (by others) of truss to bearing plate capable of withstanding 100 lb uplift at joint(s) 37, 20, 29, 30, 31, 32, 34, 35, 36, 27, 26, 25, 24, 23, 22, 21.



May 7, 2024

WARNING - Verify design parameters and READ NOTES ON THIS AND INCLUDED MITEK REFERENCE PAGE MII-7473 rev. 1/2/2023 BEFORE USE.
Design valid for use only with MiTek® connectors. This design is based only upon parameters shown, and is for an individual building component, not a truss system. Before use, the building designer must verify the applicability of design parameters and properly incorporate this design into the overall building design. Bracing indicated is to prevent buckling of individual truss web and/or chord members only. Additional temporary and permanent bracing is always required for stability and to prevent collapse with possible personal injury and property damage. For general guidance regarding the fabrication, storage, delivery, erection and bracing of trusses and truss systems, see **ANSI/TPI1 Quality Criteria and DSB-22** available from Truss Plate Institute (www.tpinst.org) and **BCSI Building Component Safety Information** available from the Structural Building Component Association (www.sbcacomponents.com)



818 Soundside Road
Edenton, NC 27932

Job	Truss	Truss Type	Qty	Ply	Hayden 120	165375552
MASTER120	B01GR	COMMON	1	3	Job Reference (optional)	

Builders FirstSource (Apex, NC), Apex, NC - 27523,

8.630 s Apr 26 2024 MiTek Industries, Inc. Mon May 6 08:58:10 2024 Page 1
ID:QnmXaPRpGXrA8yoS4zaUOyyf5FE-RfC?PsB70Hq3NSgPqnL8w3ulTXbGKWrCDoi7J4zJC?f



4x6 ||

Scale = 1:39.1

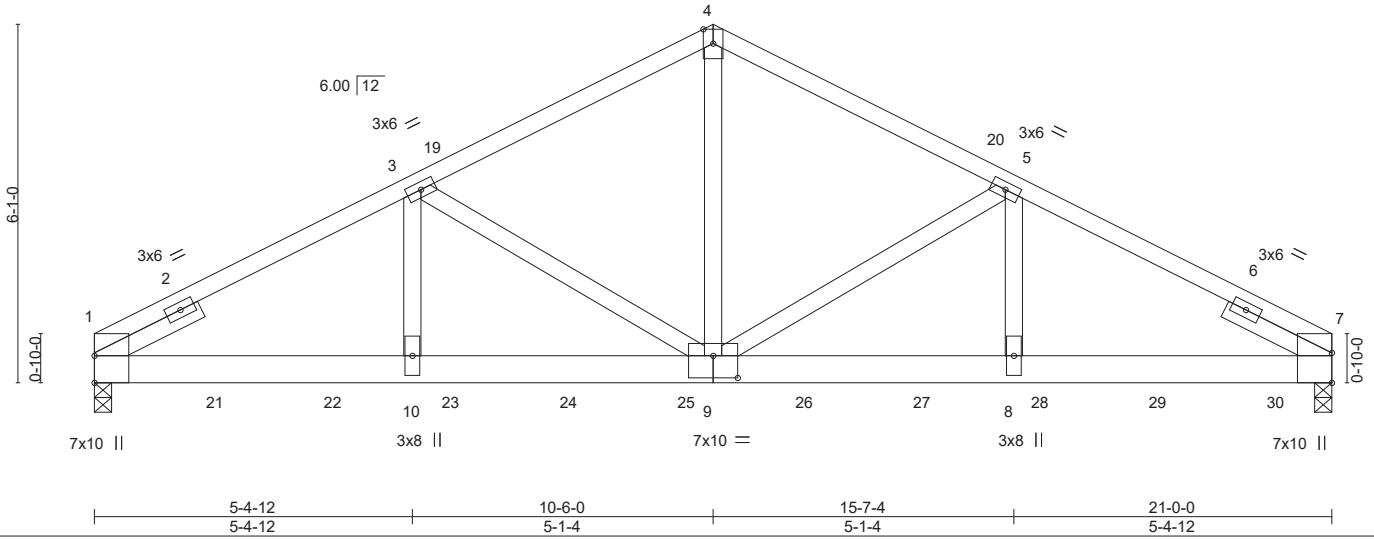


Plate Offsets (X,Y)-- [9:0-5-0,0-4-8]

LOADING (psf)	SPACING-	CSI.	DEFL.	in (loc)	l/defl	L/d	PLATES	GRIP
TCLL 20.0	Plate Grip DOL 1.15	TC 0.97	Vert(LL) -0.13	9-10	>999	360	MT20	244/190
TCDL 10.0	Lumber DOL 1.15	BC 0.60	Vert(CT) -0.26	9-10	>983	240		
BCLL 0.0 *	Rep Stress Incr NO	WB 0.61	Horz(CT) 0.06	7	n/a	n/a		
BCDL 10.0	Code IRC2015/TPI2014	Matrix-MS	Wind(LL) 0.01	9	>999	240		
							Weight: 369 lb	FT = 20%

LUMBER-

TOP CHORD 2x4 SP No.2
 BOT CHORD 2x6 SP 2400F 2.0E or 2x6 SP DSS
 WEBS 2x4 SP No.3 *Except*
 4-9: 2x4 SP No.2
 SLIDER Left 2x4 SP No.2 1-11-12, Right 2x4 SP No.2 1-11-12

BRACING-

TOP CHORD Structural wood sheathing directly applied or 4-0-8 oc purlins.
 BOT CHORD Rigid ceiling directly applied or 10-0-0 oc bracing.

REACTIONS.

(size) 1=0-3-8, 7=0-3-8
 Max Horz 1=76(LC 8)
 Max Grav 1=7473(LC 1), 7=8226(LC 1)

FORCES. (lb) - Max. Comp./Max. Ten. - All forces 250 (lb) or less except when shown.

TOP CHORD 1-3=-11837/0, 3-4=-8886/0, 4-5=-8888/0, 5-7=-11934/0
 BOT CHORD 1-10=0/10470, 9-10=0/10470, 8-9=0/10563, 7-8=0/10563
 WEBS 4-9=0/7486, 5-9=-3131/0, 5-8=0/2919, 3-9=-3022/0, 3-10=0/2834

NOTES-

- 3-ply truss to be connected together with 10d (0.131"x3") nails as follows:
 Top chords connected as follows: 2x4 - 1 row at 0-9-0 oc.
 Bottom chords connected as follows: 2x6 - 2 rows staggered at 0-5-0 oc.
 Webs connected as follows: 2x4 - 1 row at 0-9-0 oc.
- All loads are considered equally applied to all plies, except if noted as front (F) or back (B) face in the LOAD CASE(S) section. Ply to ply connections have been provided to distribute only loads noted as (F) or (B), unless otherwise indicated.
- Unbalanced roof live loads have been considered for this design.
- Wind: ASCE 7-10; Vult=120mph Vasd=95mph; TCCL=6.0psf; BCDL=6.0psf; h=32ft; Cat. II; Exp B; Enclosed; MWFRS (envelope) gable end zone; cantilever left and right exposed; end vertical left and right exposed; Lumber DOL=1.60 plate grip DOL=1.60
- This truss has been designed for a 10.0 psf bottom chord live load nonconcurrent with any other live loads.
- * This truss has been designed for a live load of 20.0psf on the bottom chord in all areas where a rectangle 3-6-0 tall by 2-0-0 wide will fit between the bottom chord and any other members.
- Hanger(s) or other connection device(s) shall be provided sufficient to support concentrated load(s) 1402 lb down at 2-0-12, 1402 lb down at 4-0-12, 1402 lb down at 6-0-12, 1402 lb down at 8-0-12, 1402 lb down at 10-0-12, 1402 lb down at 12-0-12, 1402 lb down at 14-0-12, 1402 lb down at 16-0-12, and 1402 lb down at 18-0-12, and 1404 lb down at 20-0-12 on bottom chord. The design/selection of such connection device(s) is the responsibility of others.

LOAD CASE(S) Standard

1) Dead + Roof Live (balanced): Lumber Increase=1.15, Plate Increase=1.15
 Uniform Loads (plf)
 Vert: 1-4=-60, 4-7=-60, 11-15=-20



May 7, 2024

Continued on page 2

WARNING - Verify design parameters and READ NOTES ON THIS AND INCLUDED MITEK REFERENCE PAGE MII-7473 rev. 1/2/2023 BEFORE USE.

Design valid for use only with MiTek® connectors. This design is based only upon parameters shown, and is for an individual building component, not a truss system. Before use, the building designer must verify the applicability of design parameters and properly incorporate this design into the overall building design. Bracing indicated is to prevent buckling of individual truss web and/or chord members only. Additional temporary and permanent bracing is always required for stability and to prevent collapse with possible personal injury and property damage. For general guidance regarding the fabrication, storage, delivery, erection and bracing of trusses and truss systems, see **ANSI/TP1 Quality Criteria and DSB-22** available from Truss Plate Institute (www.tpinst.org) and **BCSI Building Component Safety Information** available from the Structural Building Component Association (www.sbcacomponents.com)



818 Soundside Road
 Edenton, NC 27932

Job	Truss	Truss Type	Qty	Ply	Hayden 120	I65375552
MASTER120	B01GR	COMMON	1	3	Job Reference (optional)	

Builders FirstSource (Apex, NC), Apex, NC - 27523,

8.630 s Apr 26 2024 MiTek Industries, Inc. Mon May 6 08:58:10 2024 Page 2
 ID:QnmXaPRpGXrA8yoS4zaUOyyf5FE-RfC?PsB70Hq3NSgPqnL8w3ulTXbGKWwCDoi7J4zJC?f

LOAD CASE(S) Standard

Concentrated Loads (lb)

Vert: 21=-1402(B) 22=-1402(B) 23=-1402(B) 24=-1402(B) 25=-1402(B) 26=-1402(B) 27=-1402(B) 28=-1402(B) 29=-1402(B) 30=-1404(B)

WARNING - Verify design parameters and READ NOTES ON THIS AND INCLUDED MITEK REFERENCE PAGE MII-7473 rev. 1/2/2023 BEFORE USE.

Design valid for use only with MiTek® connectors. This design is based only upon parameters shown, and is for an individual building component, not a truss system. Before use, the building designer must verify the applicability of design parameters and properly incorporate this design into the overall building design. Bracing indicated is to prevent buckling of individual truss web and/or chord members only. Additional temporary and permanent bracing is always required for stability and to prevent collapse with possible personal injury and property damage. For general guidance regarding the fabrication, storage, delivery, erection and bracing of trusses and truss systems, see **ANSI/TP1 Quality Criteria and DSB-22** available from Truss Plate Institute (www.tpinst.org) and **BCSI Building Component Safety Information** available from the Structural Building Component Association (www.sbccomponents.com)



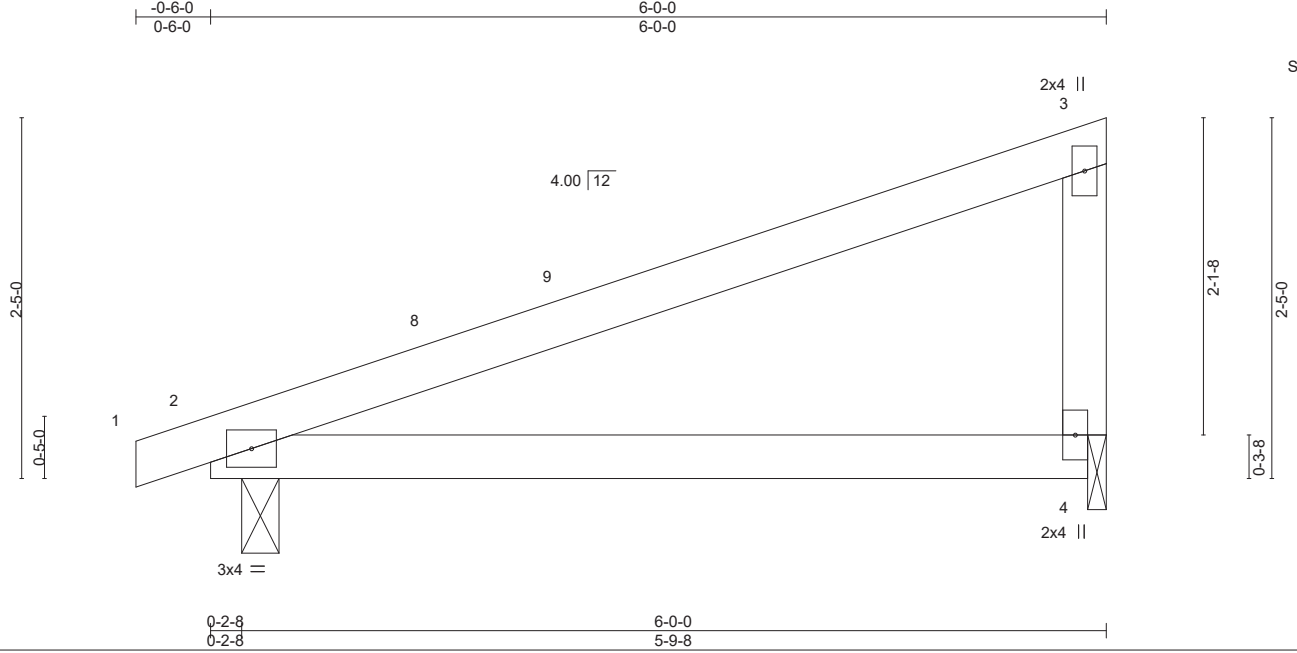
818 Soundside Road
 Edenton, NC 27932

Job	Truss	Truss Type	Qty	Ply	Hayden 120	I65375555
MASTER120	P02	JACK	8	1	Job Reference (optional)	

Builders FirstSource (Apex, NC), Apex, NC - 27523,

8.630 s Apr 26 2024 MiTek Industries, Inc. Mon May 6 08:58:12 2024 Page 1

ID:QnmXaPRpGXrA8yoS4zaUOyyf5FE-RfC?PsB70Hq3NSgPqnL8w3ulTXbGKwRCDoi7J4zJC?f
6-0-0
6-0-0



LOADING (psf)	SPACING	CSI.	DEFL.	in (loc)	l/defl	L/d	PLATES	GRIP
TCLL 20.0	Plate Grip DOL 2-0-0	TC 0.53	Vert(LL) -0.05	4-7	>999	360	MT20	244/190
TCDL 10.0	Lumber DOL 1.15	BC 0.41	Vert(CT) -0.12	4-7	>570	240		
BCLL 0.0 *	Rep Stress Incr YES	WB 0.00	Horz(CT) 0.01	2	n/a	n/a		
BCDL 10.0	Code IRC2015/TPI2014	Matrix-MP	Wind(LL) 0.05	4-7	>999	240	Weight: 22 lb	FT = 20%

LUMBER-

TOP CHORD 2x4 SP No.2
BOT CHORD 2x4 SP No.2
WEBS 2x4 SP No.3

BRACING-

TOP CHORD Structural wood sheathing directly applied or 6-0-0 oc purlins, except end verticals.
BOT CHORD Rigid ceiling directly applied or 10-0-0 oc bracing.

REACTIONS.

(size) 2=0-3-0, 4=0-1-8
Max Horz 2=77(LC 11)
Max Uplift 2=-39(LC 8), 4=-34(LC 12)
Max Grav 2=265(LC 1), 4=233(LC 1)

FORCES. (lb) - Max. Comp./Max. Ten. - All forces 250 (lb) or less except when shown.

NOTES-

- 1) Wind: ASCE 7-10; Vult=120mph Vasd=95mph; TCDL=6.0psf; BCDL=6.0psf; h=32ft; Cat. II; Exp B; Enclosed; MWFRS (envelope) gable end zone and C-C Exterior(2) -0-6-0 to 2-6-0, Interior(1) 2-6-0 to 5-10-4 zone; cantilever left and right exposed ; end vertical left and right exposed;C-C for members and forces & MWFRS for reactions shown; Lumber DOL=1.60 plate grip DOL=1.60
- 2) This truss has been designed for a 10.0 psf bottom chord live load nonconcurrent with any other live loads.
- 3) * This truss has been designed for a live load of 20.0psf on the bottom chord in all areas where a rectangle 3-6-0 tall by 2-0-0 wide will fit between the bottom chord and any other members.
- 4) Bearing at joint(s) 4 considers parallel to grain value using ANSI/TPI 1 angle to grain formula. Building designer should verify capacity of bearing surface.
- 5) Provide mechanical connection (by others) of truss to bearing plate at joint(s) 4.
- 6) Provide mechanical connection (by others) of truss to bearing plate capable of withstanding 100 lb uplift at joint(s) 2, 4.



May 7, 2024

WARNING - Verify design parameters and READ NOTES ON THIS AND INCLUDED MITEK REFERENCE PAGE MII-7473 rev. 1/2/2023 BEFORE USE.

Design valid for use only with MiTek® connectors. This design is based only upon parameters shown, and is for an individual building component, not a truss system. Before use, the building designer must verify the applicability of design parameters and properly incorporate this design into the overall building design. Bracing indicated is to prevent buckling of individual truss web and/or chord members only. Additional temporary and permanent bracing is always required for stability and to prevent collapse with possible personal injury and property damage. For general guidance regarding the fabrication, storage, delivery, erection and bracing of trusses and truss systems, see **ANSI/TPI1 Quality Criteria and DSB-22** available from Truss Plate Institute (www.tpinst.org) and **BCSI Building Component Safety Information** available from the Structural Building Component Association (www.sbcacomponents.com)



818 Soundside Road
Edenton, NC 27932

Job	Truss	Truss Type	Qty	Ply	Hayden 120	I65375556
MASTER120	P02G	GABLE	1	1		

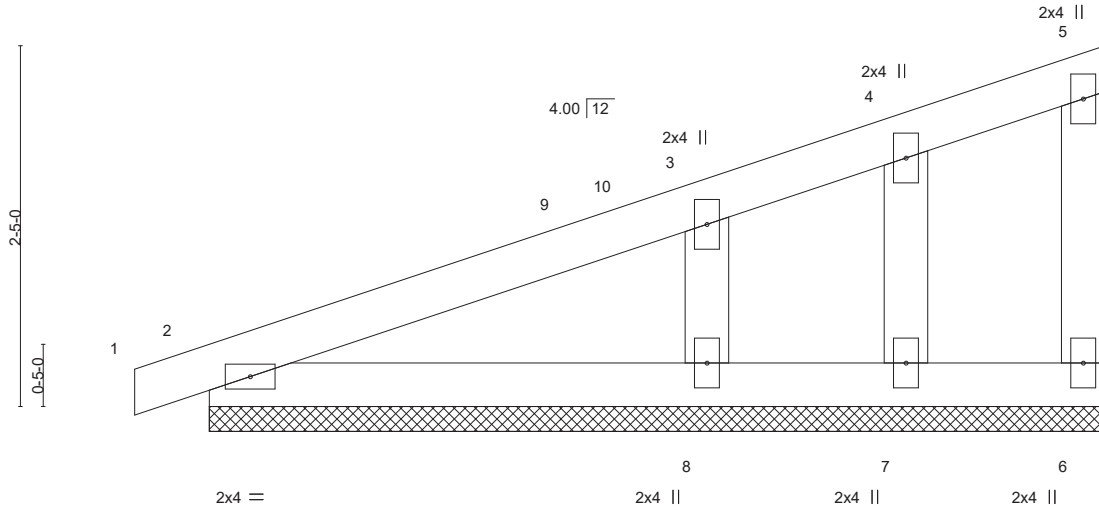
Builders FirstSource (Apex, NC), Apex, NC - 27523,

8.630 s Apr 26 2024 MiTek Industries, Inc. Mon May 6 08:58:12 2024 Page 1

ID:QnmXaPRpGxra8yoS4zaUOyyf5FE-RfC?PsB70Hq3NSgPqnL8w3ulTXbGKwRCDoi7J4zJC?f



Scale = 1:15.4



LOADING (psf)	SPACING-	2-0-0	CSI.	DEFL.	in (loc)	l/defl	L/d	PLATES	GRIP
TCLL 20.0	Plate Grip DOL	1.15	TC 0.16	Vert(LL)	-0.00	1	n/r	MT20	244/190
TCDL 10.0	Lumber DOL	1.15	BC 0.09	Vert(CT)	0.00	1	n/r		
BCLL 0.0 *	Rep Stress Incr	NO	WB 0.06	Horz(CT)	0.00	6	n/a		
BCDL 10.0	Code IRC2015/TPI2014		Matrix-P					Weight: 26 lb	FT = 20%

LUMBER-

TOP CHORD 2x4 SP No.2
 BOT CHORD 2x4 SP No.2
 WEBS 2x4 SP No.3
 OTHERS 2x4 SP No.3

BRACING-

TOP CHORD Structural wood sheathing directly applied or 6-0-0 oc purlins, except end verticals.
 BOT CHORD Rigid ceiling directly applied or 10-0-0 oc bracing.

REACTIONS.

All bearings 6-0-0.
 (lb) - Max Horz 2=77(LC 9)
 Max Uplift All uplift 100 lb or less at joint(s) 6, 2, 7, 8
 Max Grav All reactions 250 lb or less at joint(s) 6, 2, 7 except 8=273(LC 1)

FORCES. (lb) - Max. Comp./Max. Ten. - All forces 250 (lb) or less except when shown.

NOTES-

- 1) Wind: ASCE 7-10; Vult=120mph Vasd=95mph; TCDL=6.0psf; BCDL=6.0psf; h=32ft; Cat. II; Exp B; Enclosed; MWFRS (envelope) gable end zone and C-C Corner(3) -0-6-0 to 2-6-0, Exterior(2) 2-6-0 to 5-10-4 zone; cantilever left and right exposed; end vertical left and right exposed; C-C for members and forces & MWFRS for reactions shown; Lumber DOL=1.60 plate grip DOL=1.60
- 2) Truss designed for wind loads in the plane of the truss only. For studs exposed to wind (normal to the face), see Standard Industry Gable End Details as applicable, or consult qualified building designer as per ANSI/TPI 1.
- 3) Gable requires continuous bottom chord bearing.
- 4) Gable studs spaced at 1-4-0 oc.
- 5) This truss has been designed for a 10.0 psf bottom chord live load nonconcurrent with any other live loads.
- 6) * This truss has been designed for a live load of 20.0psf on the bottom chord in all areas where a rectangle 3-6-0 tall by 2-0-0 wide will fit between the bottom chord and any other members.
- 7) Provide mechanical connection (by others) of truss to bearing plate capable of withstanding 100 lb uplift at joint(s) 6, 2, 7, 8.



May 7, 2024

WARNING - Verify design parameters and READ NOTES ON THIS AND INCLUDED MITEK REFERENCE PAGE MII-7473 rev. 1/2/2023 BEFORE USE.

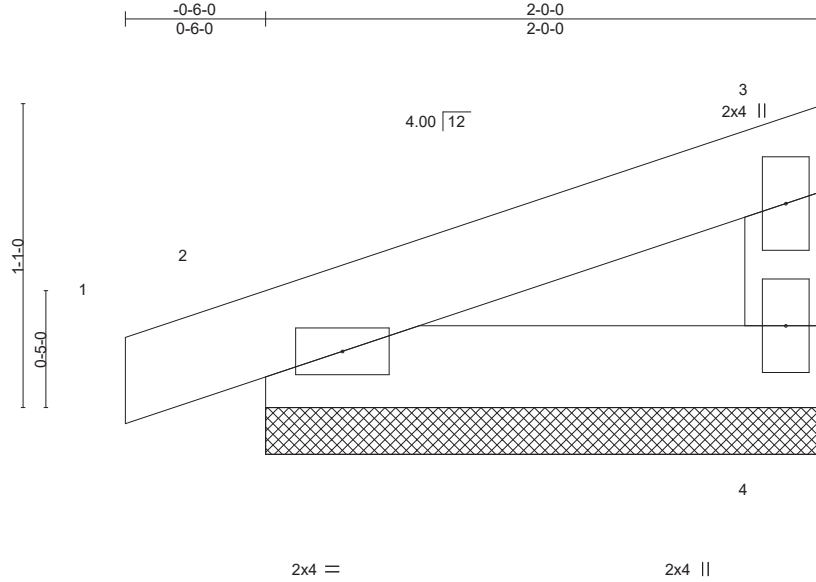
Design valid for use only with MiTek® connectors. This design is based only upon parameters shown, and is for an individual building component, not a truss system. Before use, the building designer must verify the applicability of design parameters and properly incorporate this design into the overall building design. Bracing indicated is to prevent buckling of individual truss web and/or chord members only. Additional temporary and permanent bracing is always required for stability and to prevent collapse with possible personal injury and property damage. For general guidance regarding the fabrication, storage, delivery, erection and bracing of trusses and truss systems, see **ANSI/TPI1 Quality Criteria and DSB-22** available from Truss Plate Institute (www.tpinst.org) and **BCSI Building Component Safety Information** available from the Structural Building Component Association (www.sbcacomponents.com)



818 Soundside Road
 Edenton, NC 27932

Job	Truss	Truss Type	Qty	Ply	Hayden 120	I65375557
MASTER120	P03G	GABLE	1	1		

Builders FirstSource (Apex, NC), Apex, NC - 27523, 8.630 s Apr 26 2024 MiTek Industries, Inc. Mon May 6 08:58:13 2024 Page 1
 ID:QnmXaPRpGXrA8yoS4zaUOyyf5FE-RfC?PsB70Hq3NSgPqnL8w3ulTXbGKWrCDoi7J4zJC?f



Scale = 1:8.2

LOADING (psf)	SPACING-	2-0-0	CSI.	DEFL.	in (loc)	l/defl	L/d	PLATES	GRIP
TCLL 20.0	Plate Grip DOL	1.15	TC 0.05	Vert(LL)	-0.00	1	n/r	MT20	244/190
TCDL 10.0	Lumber DOL	1.15	BC 0.04	Vert(CT)	0.00	1	n/r		
BCLL 0.0 *	Rep Stress Incr	YES	WB 0.00	Horz(CT)	0.00	4	n/a		
BCDL 10.0	Code	IRC2015/TPI2014	Matrix-P					Weight: 8 lb	FT = 20%

LUMBER-

TOP CHORD 2x4 SP No.2
 BOT CHORD 2x4 SP No.2
 WEBS 2x4 SP No.3

BRACING-

TOP CHORD Structural wood sheathing directly applied or 2-0-0 oc purlins, except end verticals.
 BOT CHORD Rigid ceiling directly applied or 10-0-0 oc bracing.

REACTIONS.

(size) 4=2-0-0, 2=2-0-0
 Max Horz 2=28(LC 9)
 Max Uplift 4=-10(LC 12), 2=-25(LC 8)
 Max Grav 4=70(LC 1), 2=108(LC 1)

FORCES. (lb) - Max. Comp./Max. Ten. - All forces 250 (lb) or less except when shown.

NOTES-

- 1) Wind: ASCE 7-10; Vult=120mph Vasd=95mph; TCDL=6.0psf; BCDL=6.0psf; h=32ft; Cat. II; Exp B; Enclosed; MWFRS (envelope) gable end zone and C-C Corner(3) zone; cantilever left and right exposed ; end vertical left and right exposed;C-C for members and forces & MWFRS for reactions shown; Lumber DOL=1.60 plate grip DOL=1.60
- 2) Truss designed for wind loads in the plane of the truss only. For studs exposed to wind (normal to the face), see Standard Industry Gable End Details as applicable, or consult qualified building designer as per ANSI/TPI 1.
- 3) Gable requires continuous bottom chord bearing.
- 4) Gable studs spaced at 1-4-0 oc.
- 5) This truss has been designed for a 10.0 psf bottom chord live load nonconcurrent with any other live loads.
- 6) * This truss has been designed for a live load of 20.0psf on the bottom chord in all areas where a rectangle 3-6-0 tall by 2-0-0 wide will fit between the bottom chord and any other members.
- 7) Provide mechanical connection (by others) of truss to bearing plate capable of withstanding 100 lb uplift at joint(s) 4, 2.



May 7, 2024

WARNING - Verify design parameters and READ NOTES ON THIS AND INCLUDED MITEK REFERENCE PAGE MII-7473 rev. 1/2/2023 BEFORE USE.

Design valid for use only with MiTek® connectors. This design is based only upon parameters shown, and is for an individual building component, not a truss system. Before use, the building designer must verify the applicability of design parameters and properly incorporate this design into the overall building design. Bracing indicated is to prevent buckling of individual truss web and/or chord members only. Additional temporary and permanent bracing is always required for stability and to prevent collapse with possible personal injury and property damage. For general guidance regarding the fabrication, storage, delivery, erection and bracing of trusses and truss systems, see **ANSI/TPI1 Quality Criteria and DSB-22** available from Truss Plate Institute (www.tpinst.org) and **BCSI Building Component Safety Information** available from the Structural Building Component Association (www.sbcacomponents.com)



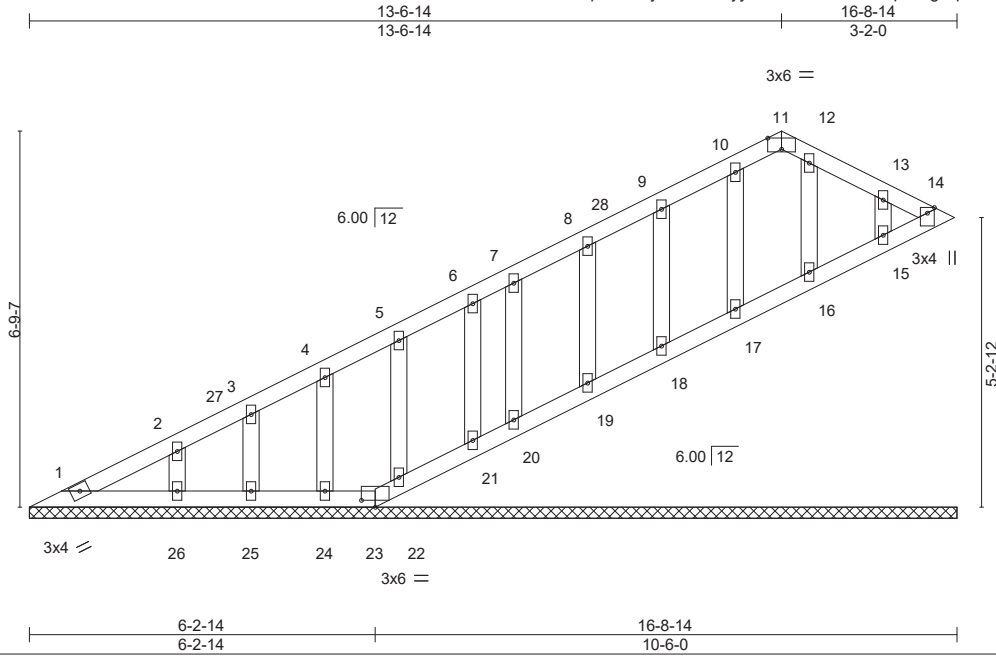
818 Soundside Road
 Edenton, NC 27932

Job	Truss	Truss Type	Qty	Ply	Hayden 120	I65375558
MASTER120	V05	GABLE	1	1		

Builders FirstSource (Apex, NC),

Apex, NC - 27523,

8.630 s Apr 26 2024 MiTek Industries, Inc. Mon May 6 08:58:13 2024 Page 1
 ID:QnmXaPRpGXrA8yoS4zaUOyyf5FE-RfC?PsB70Hq3NSgPqnL8w3ulTXbGKWrCDoi7J4zJC?f



Scale = 1:41.6

Plate Offsets (X,Y)-- [11:0-3-0,Edge], [23:0-3-0,0-1-8]

LOADING (psf)	SPACING-	2-0-0	CSI.	DEFL.	in	(loc)	l/defl	L/d	PLATES	GRIP
TCLL 20.0	Plate Grip DOL	1.15	TC 0.04	Vert(LL)	n/a	-	n/a	999	MT20	244/190
TCDL 10.0	Lumber DOL	1.15	BC 0.03	Vert(CT)	n/a	-	n/a	999		
BCLL 0.0 *	Rep Stress Incr	YES	WB 0.02	Horz(CT)	-0.00	14	n/a	n/a		
BCDL 10.0	Code	IRC2015/TPI2014	Matrix-S						Weight: 87 lb	FT = 20%

LUMBER-
 TOP CHORD 2x4 SP No.2
 BOT CHORD 2x4 SP No.2
 OTHERS 2x4 SP No.3

BRACING-
 TOP CHORD Structural wood sheathing directly applied or 6-0-0 oc purlins.
 BOT CHORD Rigid ceiling directly applied or 10-0-0 oc bracing.

REACTIONS. All bearings 16-8-14.
 (lb) - Max Horz 1=191(LC 12)
 Max Uplift All uplift 100 lb or less at joint(s) 14, 23, 15, 18, 19, 20, 26, 25, 24, 22, 21
 Max Grav All reactions 250 lb or less at joint(s) 1, 14, 23, 15, 16, 17, 18, 19, 20, 26, 25, 24, 22, 21

FORCES. (lb) - Max. Comp./Max. Ten. - All forces 250 (lb) or less except when shown.

- NOTES-**
- Unbalanced roof live loads have been considered for this design.
 - Wind: ASCE 7-10; Vult=120mph Vasd=95mph; TCCL=6.0psf; BCDL=6.0psf; h=32ft; Cat. II; Exp B; Enclosed; MWFRS (envelope) gable end zone and C-C Exterior(2) 0-7-7 to 3-7-7, Interior(1) 3-7-7 to 13-6-14, Exterior(2) 13-6-14 to 16-4-7 zone; cantilever left and right exposed ; end vertical left and right exposed;C-C for members and forces & MWFRS for reactions shown; Lumber DOL=1.60 plate grip DOL=1.60
 - All plates are 2x4 MT20 unless otherwise indicated.
 - Gable requires continuous bottom chord bearing.
 - This truss has been designed for a 10.0 psf bottom chord live load nonconcurrent with any other live loads.
 - * This truss has been designed for a live load of 20.0psf on the bottom chord in all areas where a rectangle 3-6-0 tall by 2-0-0 wide will fit between the bottom chord and any other members.
 - Provide mechanical connection (by others) of truss to bearing plate capable of withstanding 100 lb uplift at joint(s) 14, 23, 15, 18, 19, 20, 26, 25, 24, 22, 21.
 - Beveled plate or shim required to provide full bearing surface with truss chord at joint(s) 14, 15, 16, 17, 18, 19, 20, 22, 21.



May 7, 2024

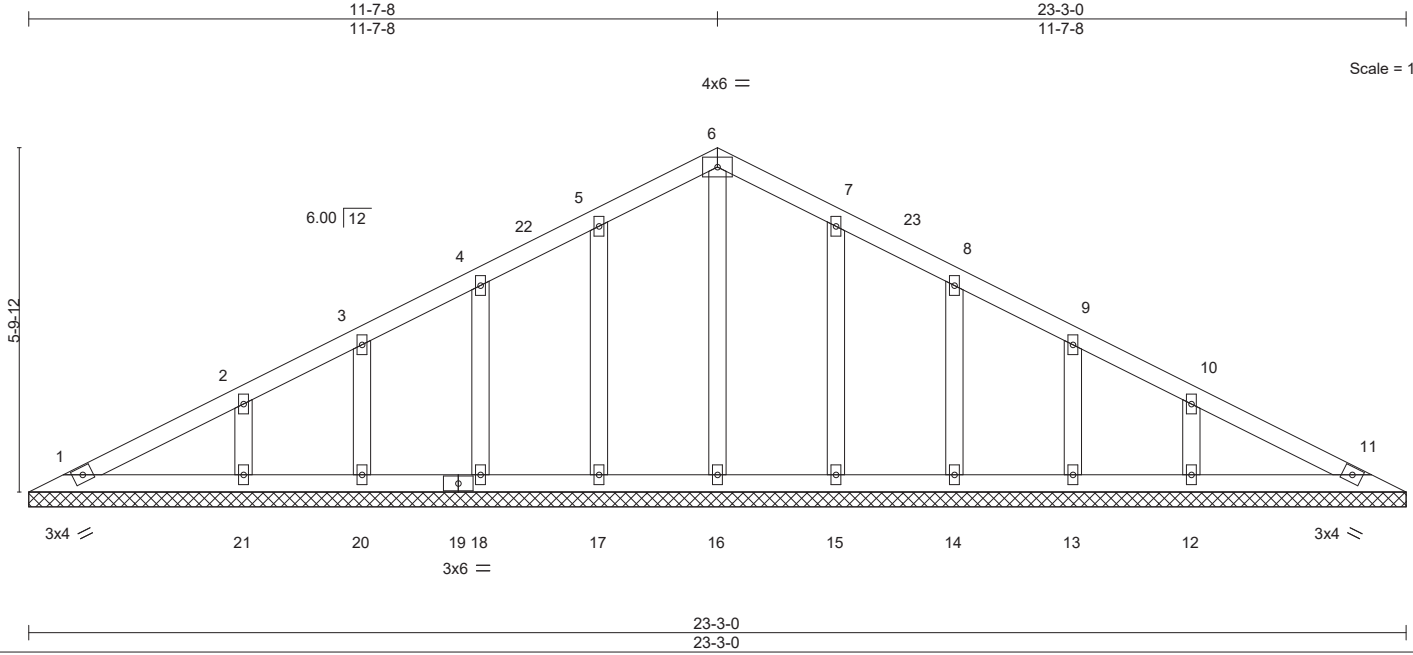
WARNING - Verify design parameters and READ NOTES ON THIS AND INCLUDED MITEK REFERENCE PAGE MII-7473 rev. 1/2/2023 BEFORE USE.
 Design valid for use only with MiTek® connectors. This design is based only upon parameters shown, and is for an individual building component, not a truss system. Before use, the building designer must verify the applicability of design parameters and properly incorporate this design into the overall building design. Bracing indicated is to prevent buckling of individual truss web and/or chord members only. Additional temporary and permanent bracing is always required for stability and to prevent collapse with possible personal injury and property damage. For general guidance regarding the fabrication, storage, delivery, erection and bracing of trusses and truss systems, see **ANSI/TP1 Quality Criteria and DSB-22** available from Truss Plate Institute (www.tpinst.org) and **BCSI Building Component Safety Information** available from the Structural Building Component Association (www.sbcacomponents.com)



818 Soundside Road
 Edenton, NC 27932

Job	Truss	Truss Type	Qty	Ply	Hayden 120	I65375559
MASTER120	V07	GABLE	1	1		

Builders FirstSource (Apex, NC), Apex, NC - 27523, 8.630 s Apr 26 2024 MiTek Industries, Inc. Mon May 6 08:58:14 2024 Page 1
 ID:QnmXaPRpGXrA8yoS4zaUOyyf5FE-RfC?PsB70Hq3NSgPqnL8w3ulTXbGKWrCDoi7J4zJC?f



LOADING (psf)	SPACING-	CSI.	DEFL.	PLATES	GRIP
TCLL 20.0	2-0-0	TC 0.10	in (loc) l/defl L/d	MT20	244/190
TCDL 10.0	Plate Grip DOL 1.15	BC 0.07	Vert(LL) n/a - n/a 999		
BCLL 0.0 *	Lumber DOL 1.15	WB 0.06	Vert(CT) n/a - n/a 999		
BCDL 10.0	Rep Stress Incr YES	Matrix-S	Horz(CT) 0.00 11 n/a n/a		
	Code IRC2015/TPI2014			Weight: 112 lb	FT = 20%

LUMBER-	BRACING-
TOP CHORD 2x4 SP No.2	TOP CHORD Structural wood sheathing directly applied or 6-0-0 oc purlins.
BOT CHORD 2x4 SP No.2	BOT CHORD Rigid ceiling directly applied or 10-0-0 oc bracing.
OTHERS 2x4 SP No.3	

REACTIONS. All bearings 23-3-0.
 (lb) - Max Horz 1=80(LC 12)
 Max Uplift All uplift 100 lb or less at joint(s) 1, 17, 18, 20, 21, 15, 14, 13, 12
 Max Grav All reactions 250 lb or less at joint(s) 1, 11, 16, 17, 18, 20, 21, 15, 14, 13, 12

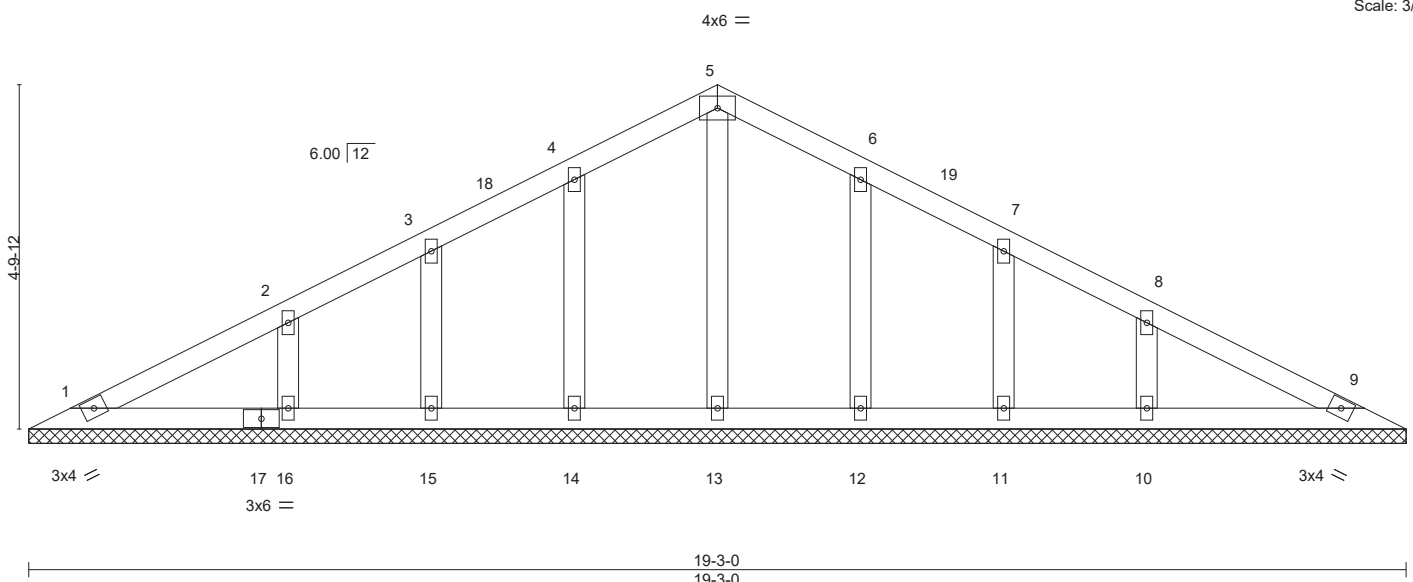
FORCES. (lb) - Max. Comp./Max. Ten. - All forces 250 (lb) or less except when shown.

- NOTES-**
- Unbalanced roof live loads have been considered for this design.
 - Wind: ASCE 7-10; Vult=120mph Vasd=95mph; TCDL=6.0psf; BCDL=6.0psf; h=32ft; Cat. II; Exp B; Enclosed; MWFRS (envelope) gable end zone and C-C Corner(3) 0-7-7 to 3-7-8, Exterior(2) 3-7-8 to 11-7-8, Corner(3) 11-7-8 to 14-7-8, Exterior(2) 14-7-8 to 22-7-9 zone; cantilever left and right exposed ; end vertical left and right exposed;C-C for members and forces & MWFRS for reactions shown; Lumber DOL=1.60 plate grip DOL=1.60
 - Truss designed for wind loads in the plane of the truss only. For studs exposed to wind (normal to the face), see Standard Industry Gable End Details as applicable, or consult qualified building designer as per ANSI/TPI 1.
 - All plates are 2x4 MT20 unless otherwise indicated.
 - Gable requires continuous bottom chord bearing.
 - Gable studs spaced at 2-0-0 oc.
 - This truss has been designed for a 10.0 psf bottom chord live load nonconcurrent with any other live loads.
 - * This truss has been designed for a live load of 20.0psf on the bottom chord in all areas where a rectangle 3-6-0 tall by 2-0-0 wide will fit between the bottom chord and any other members.
 - Provide mechanical connection (by others) of truss to bearing plate capable of withstanding 100 lb uplift at joint(s) 1, 17, 18, 20, 21, 15, 14, 13, 12.



Job	Truss	Truss Type	Qty	Ply	Hayden 120	165375560
MASTER120	V08	GABLE	1	1		

Builders FirstSource (Apex, NC), Apex, NC - 27523, 8.630 s Apr 26 2024 MiTek Industries, Inc. Mon May 6 08:58:15 2024 Page 1
 ID:QnmXaPRpGXrA8yoS4zaUOyyf5FE-RfC?PsB70Hq3NSgPqnL8w3ulTXbGKWrCDoi7J4zJC?f



LOADING (psf)	SPACING-	CSI.	DEFL.	PLATES	GRIP
TCLL 20.0	2-0-0	TC 0.10	in (loc) l/defl L/d	MT20	244/190
TCDL 10.0	Plate Grip DOL 1.15	BC 0.07	Vert(LL) n/a - n/a 999		
BCLL 0.0 *	Lumber DOL 1.15	WB 0.05	Vert(CT) n/a - n/a 999		
BCDL 10.0	Rep Stress Incr YES	Matrix-S	Horz(CT) 0.00 9 n/a n/a	Weight: 85 lb	FT = 20%
	Code IRC2015/TPI2014				

LUMBER-	BRACING-
TOP CHORD 2x4 SP No.2	TOP CHORD Structural wood sheathing directly applied or 6-0-0 oc purlins.
BOT CHORD 2x4 SP No.2	BOT CHORD Rigid ceiling directly applied or 10-0-0 oc bracing.
OTHERS 2x4 SP No.3	

REACTIONS. All bearings 19-3-0.
 (lb) - Max Horz 1=65(LC 12)
 Max Uplift All uplift 100 lb or less at joint(s) 1, 14, 15, 16, 12, 11, 10
 Max Grav All reactions 250 lb or less at joint(s) 1, 9, 13, 14, 15, 16, 12, 11, 10

FORCES. (lb) - Max. Comp./Max. Ten. - All forces 250 (lb) or less except when shown.

- NOTES-**
- Unbalanced roof live loads have been considered for this design.
 - Wind: ASCE 7-10; Vult=120mph Vasd=95mph; TCDL=6.0psf; BCDL=6.0psf; h=32ft; Cat. II; Exp B; Enclosed; MWFRS (envelope) gable end zone and C-C Corner(3) 0-7-7 to 3-7-8, Exterior(2) 3-7-8 to 9-7-8, Corner(3) 9-7-8 to 12-7-8, Exterior(2) 12-7-8 to 18-7-9 zone; cantilever left and right exposed ; end vertical left and right exposed;C-C for members and forces & MWFRS for reactions shown; Lumber DOL=1.60 plate grip DOL=1.60
 - Truss designed for wind loads in the plane of the truss only. For studs exposed to wind (normal to the face), see Standard Industry Gable End Details as applicable, or consult qualified building designer as per ANSI/TPI 1.
 - All plates are 2x4 MT20 unless otherwise indicated.
 - Gable requires continuous bottom chord bearing.
 - Gable studs spaced at 2-0-0 oc.
 - This truss has been designed for a 10.0 psf bottom chord live load nonconcurrent with any other live loads.
 - * This truss has been designed for a live load of 20.0psf on the bottom chord in all areas where a rectangle 3-6-0 tall by 2-0-0 wide will fit between the bottom chord and any other members.
 - Provide mechanical connection (by others) of truss to bearing plate capable of withstanding 100 lb uplift at joint(s) 1, 14, 15, 16, 12, 11, 10.



Job	Truss	Truss Type	Qty	Ply	Hayden 120	I65375561
MASTER120	V09	GABLE	1	1		

Builders FirstSource (Apex, NC), Apex, NC - 27523,

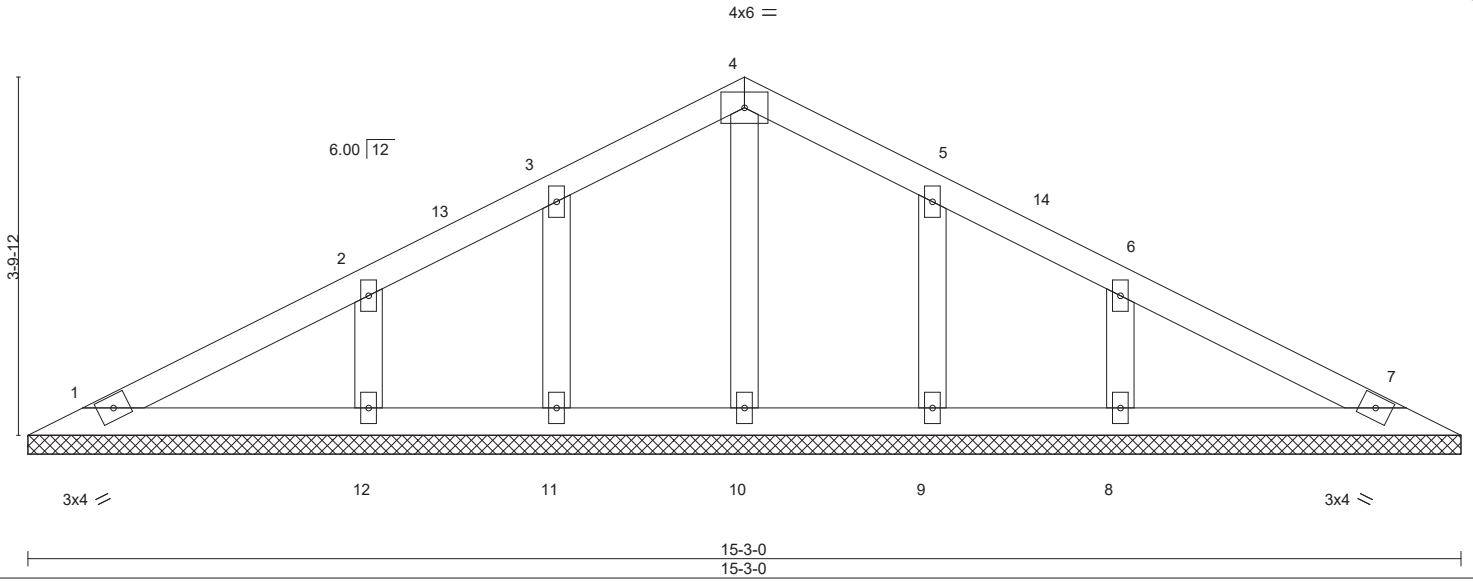
8.630 s Apr 26 2024 MiTek Industries, Inc. Mon May 6 08:58:15 2024 Page 1

ID:QnmXaPRpGXrA8yoS4zaUOyyf5FE-RfC?PsB70Hq3NSgPqnL8w3ulTXbGKWrCDoi7J4zJC?f

Job Reference (optional)



Scale = 1:24.5



LOADING (psf)	SPACING-	CSI.	DEFL.	PLATES	GRIP
TCLL 20.0	2-0-0	TC 0.10	in (loc) l/defl L/d	MT20	244/190
TCDL 10.0	Plate Grip DOL 1.15	BC 0.07	Vert(LL) n/a - n/a 999		
BCLL 0.0 *	Lumber DOL 1.15	WB 0.05	Vert(CT) n/a - n/a 999		
BCDL 10.0	Rep Stress Incr YES	Matrix-S	Horz(CT) 0.00 7 n/a n/a		
	Code IRC2015/TPI2014			Weight: 61 lb	FT = 20%

LUMBER-

TOP CHORD 2x4 SP No.2
 BOT CHORD 2x4 SP No.2
 OTHERS 2x4 SP No.3

BRACING-

TOP CHORD Structural wood sheathing directly applied or 6-0-0 oc purlins.
 BOT CHORD Rigid ceiling directly applied or 10-0-0 oc bracing.

REACTIONS.

All bearings 15-3-0.
 (lb) - Max Horz 1=51(LC 12)
 Max Uplift All uplift 100 lb or less at joint(s) 1, 11, 12, 9, 8
 Max Grav All reactions 250 lb or less at joint(s) 1, 7, 10, 11, 12, 9, 8

FORCES. (lb) - Max. Comp./Max. Ten. - All forces 250 (lb) or less except when shown.

NOTES-

- Unbalanced roof live loads have been considered for this design.
- Wind: ASCE 7-10; Vult=120mph Vasd=95mph; TCCL=6.0psf; BCDL=6.0psf; h=32ft; Cat. II; Exp B; Enclosed; MWFRS (envelope) gable end zone and C-C Corner(3) 0-7-7 to 3-7-8, Exterior(2) 3-7-8 to 7-7-8, Corner(3) 7-7-8 to 10-7-8, Exterior(2) 10-7-8 to 14-7-8 zone; cantilever left and right exposed ; end vertical left and right exposed;C-C for members and forces & MWFRS for reactions shown; Lumber DOL=1.60 plate grip DOL=1.60
- Truss designed for wind loads in the plane of the truss only. For studs exposed to wind (normal to the face), see Standard Industry Gable End Details as applicable, or consult qualified building designer as per ANSI/TPI 1.
- All plates are 2x4 MT20 unless otherwise indicated.
- Gable requires continuous bottom chord bearing.
- Gable studs spaced at 2-0-0 oc.
- This truss has been designed for a 10.0 psf bottom chord live load nonconcurrent with any other live loads.
- * This truss has been designed for a live load of 20.0psf on the bottom chord in all areas where a rectangle 3-6-0 tall by 2-0-0 wide will fit between the bottom chord and any other members.
- Provide mechanical connection (by others) of truss to bearing plate capable of withstanding 100 lb uplift at joint(s) 1, 11, 12, 9, 8.



May 7, 2024

WARNING - Verify design parameters and READ NOTES ON THIS AND INCLUDED MITEK REFERENCE PAGE MII-7473 rev. 1/2/2023 BEFORE USE.

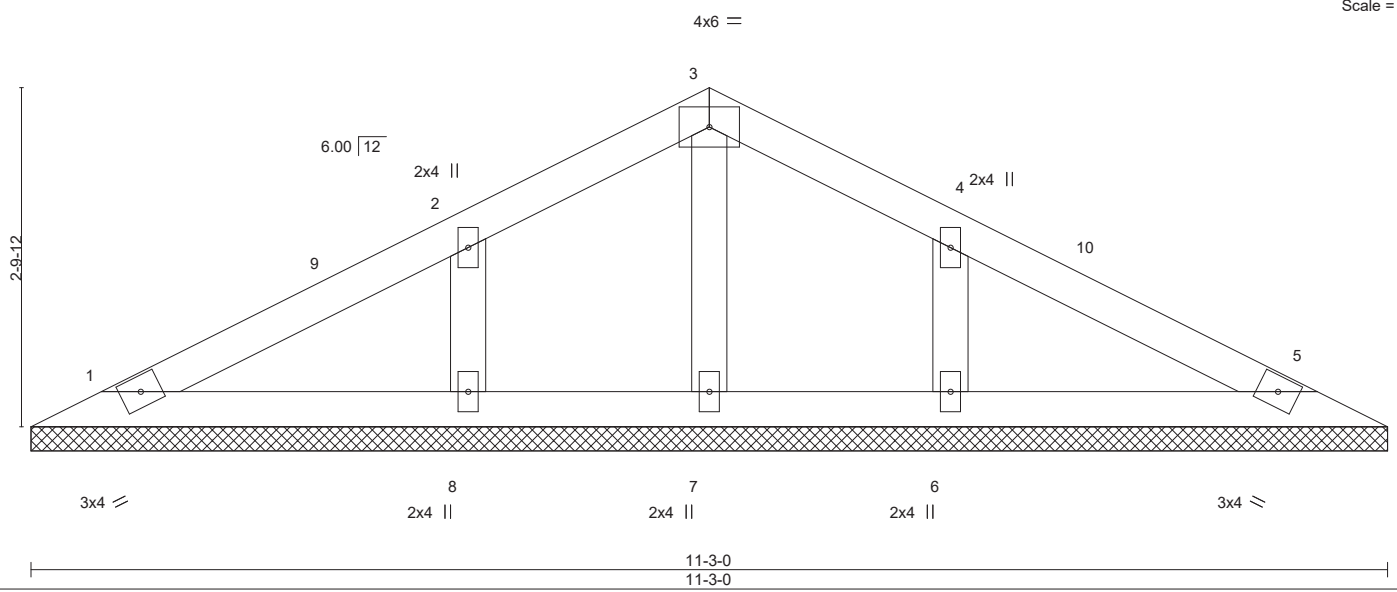
Design valid for use only with MiTek® connectors. This design is based only upon parameters shown, and is for an individual building component, not a truss system. Before use, the building designer must verify the applicability of design parameters and properly incorporate this design into the overall building design. Bracing indicated is to prevent buckling of individual truss web and/or chord members only. Additional temporary and permanent bracing is always required for stability and to prevent collapse with possible personal injury and property damage. For general guidance regarding the fabrication, storage, delivery, erection and bracing of trusses and truss systems, see **ANSI/TPI1 Quality Criteria and DSB-22** available from Truss Plate Institute (www.tpinst.org) and **BCSI Building Component Safety Information** available from the Structural Building Component Association (www.sbcacomponents.com)



818 Soundside Road
 Edenton, NC 27932

Job	Truss	Truss Type	Qty	Ply	Hayden 120	I65375562
MASTER120	V10	GABLE	1	1		

Builders FirstSource (Apex, NC), Apex, NC - 27523, 8.630 s Apr 26 2024 MiTek Industries, Inc. Mon May 6 08:58:16 2024 Page 1
 ID:QnmXaPRpGXrA8yoS4zaUOyyf5FE-RfC?PsB70Hq3NSgPqnL8w3ulTXbGKWrCDoi7J4zJC?f



LOADING (psf)	SPACING-	CSI.	DEFL.	in (loc)	l/defl	L/d	PLATES	GRIP
TCLL 20.0	2-0-0	TC 0.11	Vert(LL)	n/a	-	n/a	MT20	244/190
TCDL 10.0	Plate Grip DOL 1.15	BC 0.07	Vert(CT)	n/a	-	n/a		
BCLL 0.0 *	Lumber DOL 1.15	WB 0.05	Horz(CT)	0.00	5	n/a		
BCDL 10.0	Rep Stress Incr YES	Matrix-S					Weight: 41 lb	FT = 20%
	Code IRC2015/TPI2014							

LUMBER-	BRACING-
TOP CHORD 2x4 SP No.2	TOP CHORD Structural wood sheathing directly applied or 6-0-0 oc purlins.
BOT CHORD 2x4 SP No.2	BOT CHORD Rigid ceiling directly applied or 10-0-0 oc bracing.
OTHERS 2x4 SP No.3	

REACTIONS. All bearings 11-3-0.
 (lb) - Max Horz 1=36(LC 12)
 Max Uplift All uplift 100 lb or less at joint(s) 1, 5, 8, 6
 Max Grav All reactions 250 lb or less at joint(s) 1, 5, 7 except 8=256(LC 23), 6=256(LC 24)

FORCES. (lb) - Max. Comp./Max. Ten. - All forces 250 (lb) or less except when shown.

- NOTES-**
- Unbalanced roof live loads have been considered for this design.
 - Wind: ASCE 7-10; Vult=120mph Vasd=95mph; TCCL=6.0psf; BCDL=6.0psf; h=32ft; Cat. II; Exp B; Enclosed; MWFRS (envelope) gable end zone and C-C Corner(3) 0-7-7 to 3-7-8, Exterior(2) 3-7-8 to 5-7-8, Corner(3) 5-7-8 to 8-7-8, Exterior(2) 8-7-8 to 10-7-9 zone; cantilever left and right exposed ; end vertical left and right exposed;C-C for members and forces & MWFRS for reactions shown; Lumber DOL=1.60 plate grip DOL=1.60
 - Truss designed for wind loads in the plane of the truss only. For studs exposed to wind (normal to the face), see Standard Industry Gable End Details as applicable, or consult qualified building designer as per ANSI/TPI 1.
 - Gable requires continuous bottom chord bearing.
 - Gable studs spaced at 2-0-0 oc.
 - This truss has been designed for a 10.0 psf bottom chord live load nonconcurrent with any other live loads.
 - * This truss has been designed for a live load of 20.0psf on the bottom chord in all areas where a rectangle 3-6-0 tall by 2-0-0 wide will fit between the bottom chord and any other members.
 - Provide mechanical connection (by others) of truss to bearing plate capable of withstanding 100 lb uplift at joint(s) 1, 5, 8, 6.

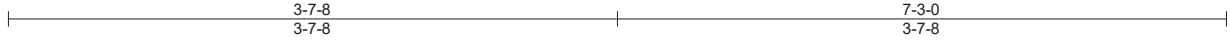


Job	Truss	Truss Type	Qty	Ply	Hayden 120	I65375563
MASTER120	V11	GABLE	1	1		

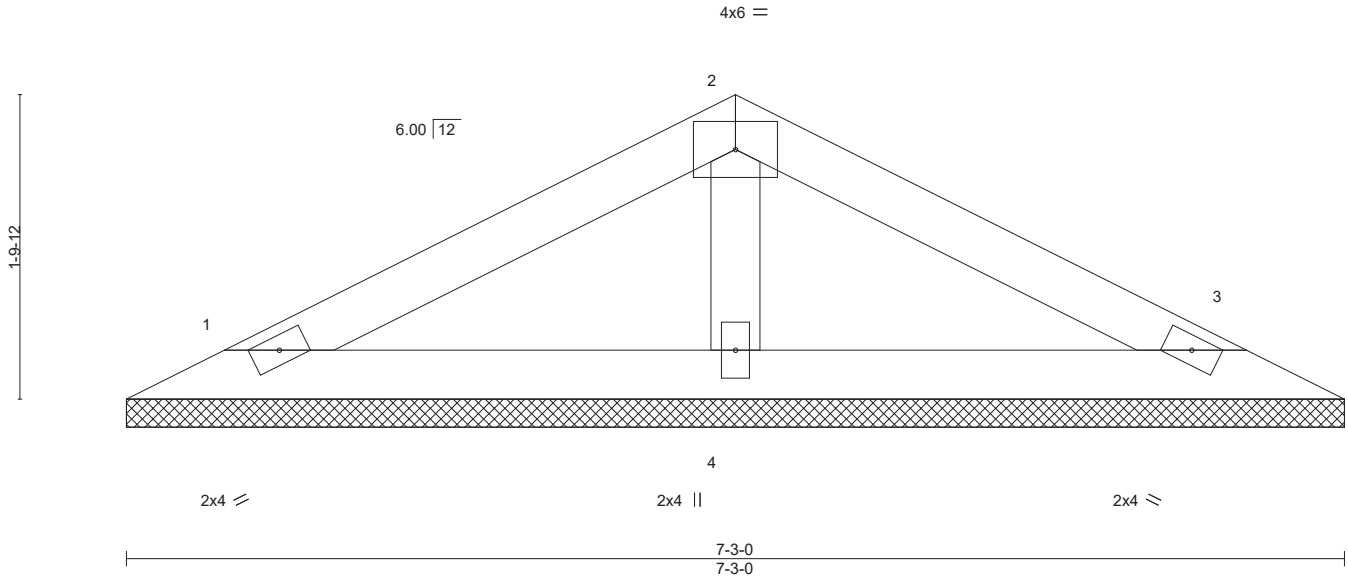
Builders FirstSource (Apex, NC), Apex, NC - 27523,

8.630 s Apr 26 2024 MiTek Industries, Inc. Mon May 6 08:58:16 2024 Page 1

ID:QnmXaPRpGXRa8yoS4zaUOyyf5FE-RfC?PsB70Hq3NSgPqnL8w3ulTXbGKWrCDoi7J4zJC?f



Scale = 1:13.7



LOADING (psf)	SPACING-	CSI.	DEFL.	in (loc)	l/defl	L/d	PLATES	GRIP
TCLL 20.0	2-0-0 Plate Grip DOL 1.15	TC 0.12	Vert(LL)	n/a	-	n/a	MT20	244/190
TCDL 10.0	Lumber DOL 1.15	BC 0.09	Vert(CT)	n/a	-	n/a		
BCLL 0.0 *	Rep Stress Incr YES	WB 0.04	Horz(CT)	0.00	3	n/a		
BCDL 10.0	Code IRC2015/TPI2014	Matrix-S					Weight: 23 lb	FT = 20%

LUMBER-

TOP CHORD 2x4 SP No.2
 BOT CHORD 2x4 SP No.2
 OTHERS 2x4 SP No.3

BRACING-

TOP CHORD Structural wood sheathing directly applied or 6-0-0 oc purlins.
 BOT CHORD Rigid ceiling directly applied or 10-0-0 oc bracing.

REACTIONS.

(size) 1=7-3-0, 3=7-3-0, 4=7-3-0
 Max Horz 1=22(LC 12)
 Max Uplift 1=-15(LC 12), 3=-19(LC 13)
 Max Grav 1=111(LC 23), 3=111(LC 24), 4=262(LC 1)

FORCES. (lb) - Max. Comp./Max. Ten. - All forces 250 (lb) or less except when shown.

NOTES-

- Unbalanced roof live loads have been considered for this design.
- Wind: ASCE 7-10; Vult=120mph Vasd=95mph; TCCL=6.0psf; BCDL=6.0psf; h=32ft; Cat. II; Exp B; Enclosed; MWFRS (envelope) gable end zone and C-C Corner(3) zone; cantilever left and right exposed ; end vertical left and right exposed;C-C for members and forces & MWFRS for reactions shown; Lumber DOL=1.60 plate grip DOL=1.60
- Truss designed for wind loads in the plane of the truss only. For studs exposed to wind (normal to the face), see Standard Industry Gable End Details as applicable, or consult qualified building designer as per ANSI/TPI 1.
- Gable requires continuous bottom chord bearing.
- Gable studs spaced at 2-0-0 oc.
- This truss has been designed for a 10.0 psf bottom chord live load nonconcurrent with any other live loads.
- * This truss has been designed for a live load of 20.0psf on the bottom chord in all areas where a rectangle 3-6-0 tall by 2-0-0 wide will fit between the bottom chord and any other members.
- Provide mechanical connection (by others) of truss to bearing plate capable of withstanding 100 lb uplift at joint(s) 1, 3.



May 7, 2024

WARNING - Verify design parameters and READ NOTES ON THIS AND INCLUDED MITEK REFERENCE PAGE MII-7473 rev. 1/2/2023 BEFORE USE.

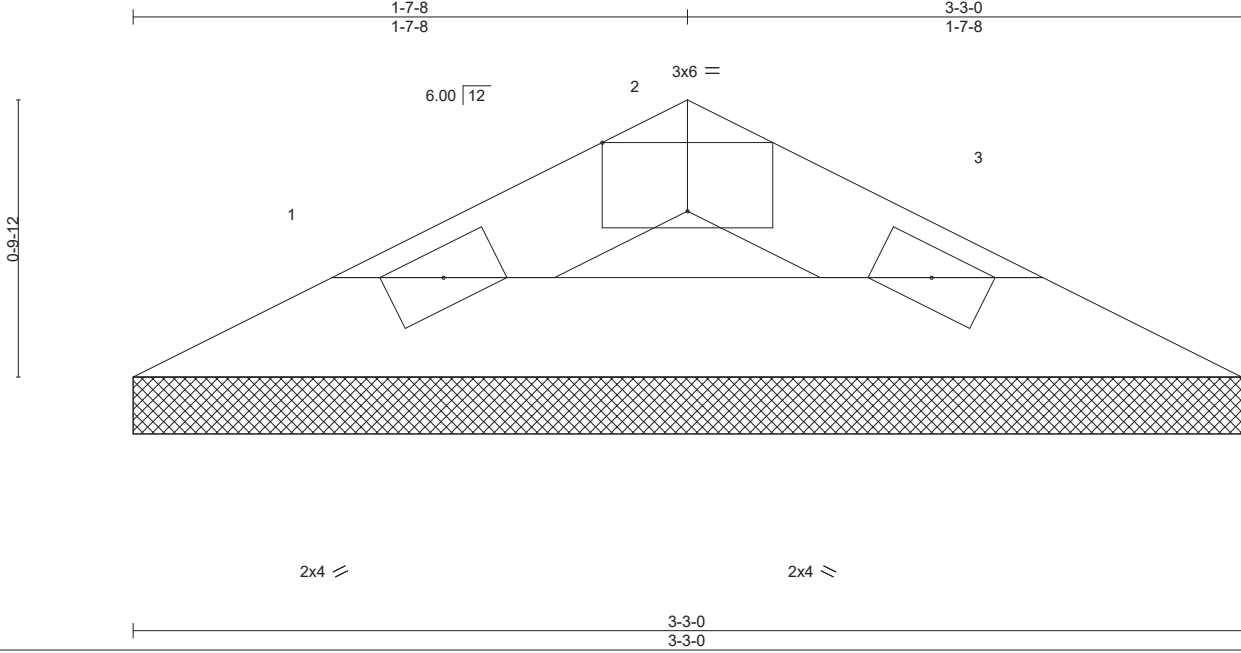
Design valid for use only with MiTek® connectors. This design is based only upon parameters shown, and is for an individual building component, not a truss system. Before use, the building designer must verify the applicability of design parameters and properly incorporate this design into the overall building design. Bracing indicated is to prevent buckling of individual truss web and/or chord members only. Additional temporary and permanent bracing is always required for stability and to prevent collapse with possible personal injury and property damage. For general guidance regarding the fabrication, storage, delivery, erection and bracing of trusses and truss systems, see **ANSI/TPI1 Quality Criteria and DSB-22** available from Truss Plate Institute (www.tpinst.org) and **BCSI Building Component Safety Information** available from the Structural Building Component Association (www.sbcacomponents.com)



818 Soundside Road
 Edenton, NC 27932

Job	Truss	Truss Type	Qty	Ply	Hayden 120	I65375564
MASTER120	V12	GABLE	1	1		

Builders FirstSource (Apex, NC), Apex, NC - 27523, 8.630 s Apr 26 2024 MiTek Industries, Inc. Mon May 6 08:58:17 2024 Page 1
 ID:QnmXaPRpGXrA8yoS4zaUOyyf5FE-RfC?PsB70Hq3NSgPqnL8w3ulTXbGKWRcDoi7J4zJC?f



Scale = 1:6.8

LOADING (psf)		SPACING-		CSI.		DEFL.				PLATES	GRIP	
TCLL	20.0	Plate Grip DOL	1.15	TC	0.03	Vert(LL)	n/a	-	n/a	999	MT20	244/190
TCDL	10.0	Lumber DOL	1.15	BC	0.05	Vert(CT)	n/a	-	n/a	999		
BCLL	0.0 *	Rep Stress Incr	YES	WB	0.00	Horz(CT)	0.00	3	n/a	n/a		
BCDL	10.0	Code	IRC2015/TPI2014	Matrix-P							Weight: 8 lb	FT = 20%

LUMBER-		BRACING-	
TOP CHORD	2x4 SP No.2	TOP CHORD	Structural wood sheathing directly applied or 3-3-0 oc purlins.
BOT CHORD	2x4 SP No.2	BOT CHORD	Rigid ceiling directly applied or 10-0-0 oc bracing.

REACTIONS. (size) 1=3-3-0, 3=3-3-0
 Max Horz 1=-7(LC 17)
 Max Uplift 1=-5(LC 12), 3=-5(LC 13)
 Max Grav 1=81(LC 1), 3=81(LC 1)

FORCES. (lb) - Max. Comp./Max. Ten. - All forces 250 (lb) or less except when shown.

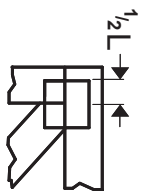
- NOTES-**
- Unbalanced roof live loads have been considered for this design.
 - Wind: ASCE 7-10; Vult=120mph Vasd=95mph; TC DL=6.0psf; BCDL=6.0psf; h=32ft; Cat. II; Exp B; Enclosed; MWFRS (envelope) gable end zone and C-C Corner(3) zone; cantilever left and right exposed ; end vertical left and right exposed;C-C for members and forces & MWFRS for reactions shown; Lumber DOL=1.60 plate grip DOL=1.60
 - Truss designed for wind loads in the plane of the truss only. For studs exposed to wind (normal to the face), see Standard Industry Gable End Details as applicable, or consult qualified building designer as per ANSI/TPI 1.
 - Gable requires continuous bottom chord bearing.
 - Gable studs spaced at 2-0-0 oc.
 - This truss has been designed for a 10.0 psf bottom chord live load nonconcurrent with any other live loads.
 - * This truss has been designed for a live load of 20.0psf on the bottom chord in all areas where a rectangle 3-6-0 tall by 2-0-0 wide will fit between the bottom chord and any other members.
 - Provide mechanical connection (by others) of truss to bearing plate capable of withstanding 100 lb uplift at joint(s) 1, 3.



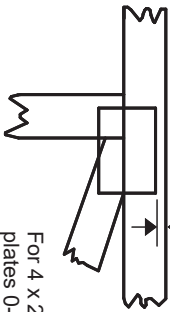
May 7, 2024

Symbols

PLATE LOCATION AND ORIENTATION



Center plate on joint unless x, y offsets are indicated. Dimensions are in ft-in-sixteenths. Apply plates to both sides of truss and fully embed teeth.



For 4 x 2 orientation, locate plates 0- 1/16\" from outside edge of truss.



This symbol indicates the required direction of slots in connector plates.

* Plate location details available in MITek software or upon request.

PLATE SIZE

4 X 4

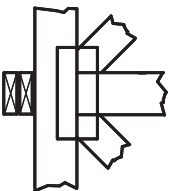
The first dimension is the plate width measured perpendicular to slots. Second dimension is the length parallel to slots.

LATERAL BRACING LOCATION



Indicated by symbol shown and/or by text in the bracing section of the output. Use T or I bracing if indicated.

BEARING



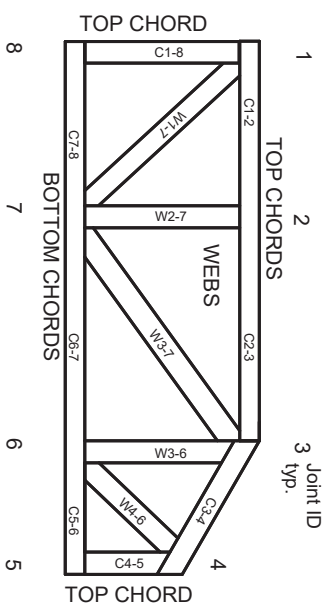
Indicates location where bearings (supports) occur. Icons vary but reaction section indicates joint number/letter where bearings occur. Min size shown is for crushing only.

Industry Standards:

ANSI/TFP1: National Design Specification for Metal Plate Connected Wood Truss Construction.
DSB-22: Design Standard for Bracing.
BCSI: Building Component Safety Information, Guide to Good Practice for Handling, Installing, Restraining & Bracing of Metal Plate Connected Wood Trusses.

Numbering System

6-4-8 dimensions shown in ft-in-sixteenths (Drawings not to scale)



JOINTS ARE GENERALLY NUMBERED/LETTERED CLOCKWISE AROUND THE TRUSS STARTING AT THE JOINT FARTHEST TO THE LEFT.

CHORDS AND WEBS ARE IDENTIFIED BY END JOINT NUMBERS/LETTERS.

Product Code Approvals

ICC-ES Reports:

ESR-1988, ESR-2362, ESR-2685, ESR-3282
ESR-4722, ESL-1388

Design General Notes

Trusses are designed for wind loads in the plane of the truss unless otherwise shown.

Lumber design values are in accordance with ANSI/TFP 1 section 6.3. These truss designs rely on Lumber values established by others.

© 2023 MITek® All Rights Reserved

MITek

ENGINEERING BY
TRENGO
A MITek Affiliate

MITek Engineering Reference Sheet: MIL-7473 rev. 1/2/2023

General Safety Notes

Failure to Follow Could Cause Property Damage or Personal Injury

1. Additional stability bracing for truss system, e.g. diagonal or X-bracing, is always required. See BCSI.
2. Truss bracing must be designed by an engineer. For wide truss spacing, individual lateral braces themselves may require bracing, or alternative Tor 1 bracing should be considered.
3. Never exceed the design loading shown and never stack materials on inadequately braced trusses.
4. Provide copies of this truss design to the building designer, erection supervisor, property owner and all other interested parties.
5. Cut members to bear tightly against each other.
6. Place plates on each face of truss at each joint and embed fully. Knots and wane at joint locations are regulated by ANSI/TFP 1.
7. Design assumes trusses will be suitably protected from the environment in accord with ANSI/TFP 1.
8. Unless otherwise noted, moisture content of lumber shall not exceed 19% at time of fabrication.
9. Unless expressly noted, this design is not applicable for use with fire retardant, preservative treated, or green lumber.
10. Camber is a non-structural consideration and is the responsibility of truss fabricator. General practice is to camber for dead load deflection.
11. Plate type, size, orientation and location dimensions indicated are minimum plating requirements.
12. Lumber used shall be of the species and size, and in all respects, equal to or better than that specified.
13. Top chords must be sheathed or purlins provided at spacing indicated on design.
14. Bottom chords require lateral bracing at 10 ft. spacing, or less, if no ceiling is installed, unless otherwise noted.
15. Connections not shown are the responsibility of others.
16. Do not cut or alter truss member or plate without prior approval of an engineer.
17. Install and load vertically unless indicated otherwise.
18. Use of green or treated lumber may pose unacceptable environmental, health or performance risks. Consult with project engineer before use.
19. Review all portions of this design (front, back, words and pictures) before use. Reviewing pictures alone is not sufficient.
20. Design assumes manufacture in accordance with ANSI/TFP 1 Quality Criteria.
21. The design does not take into account any dynamic or other loads other than those expressly stated.