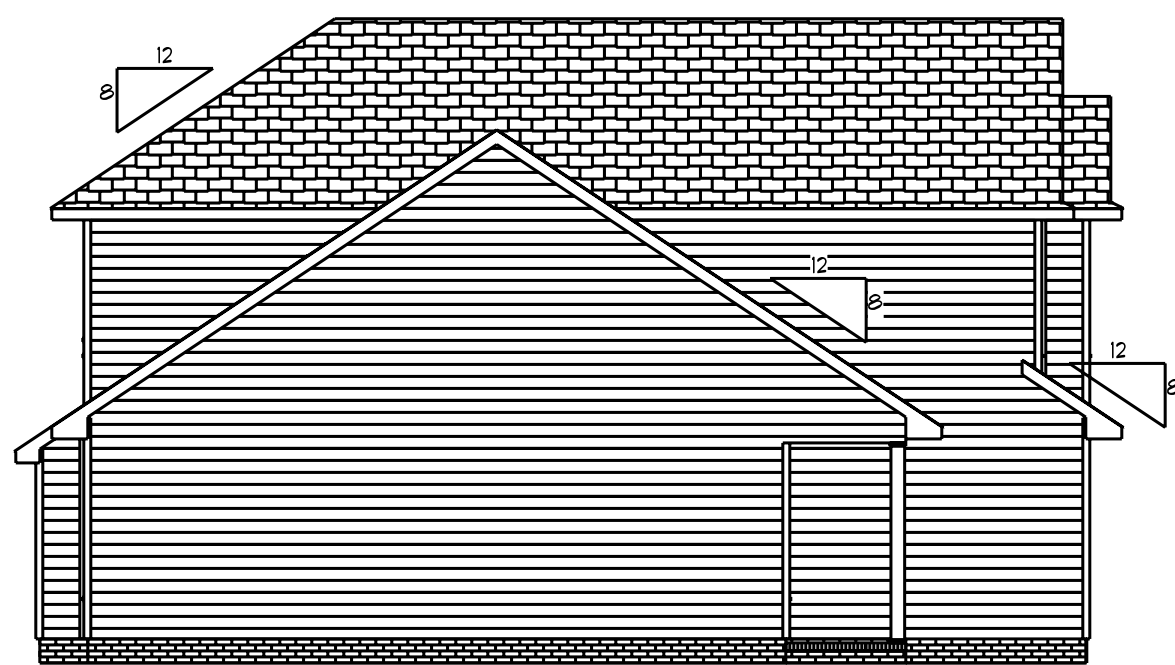




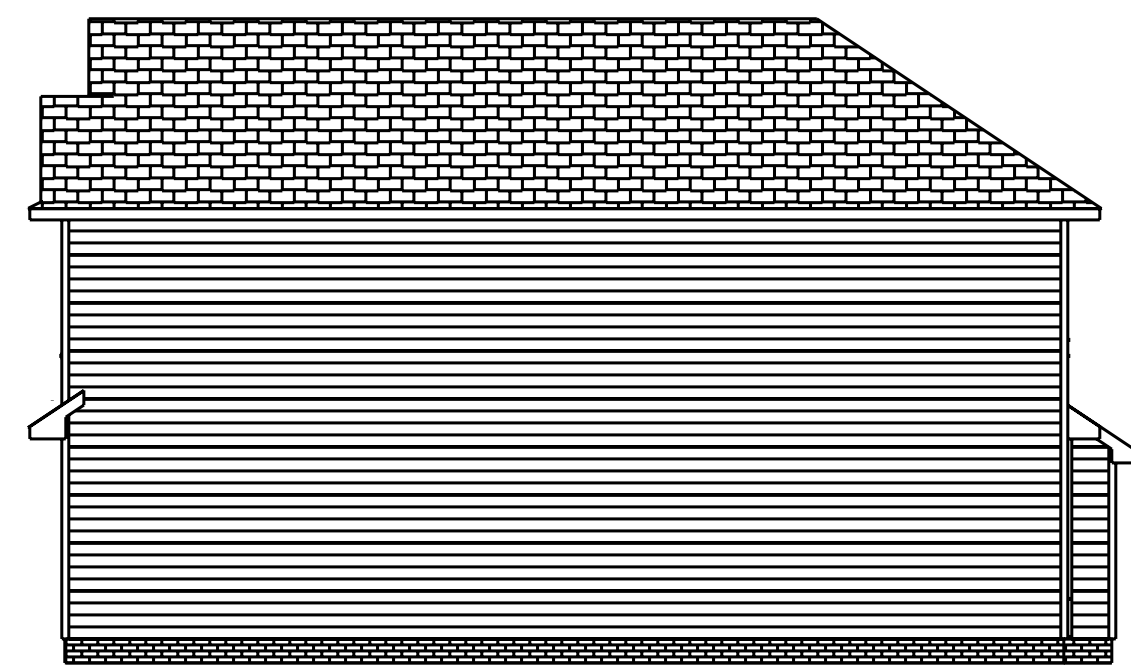
Front Elevation
Scale: 1/4" = 1'0"



Rear Elevation
Scale: 1/8" = 1'0"



Left Elevation
Scale: 1/8" = 1'0"



Right Elevation
Scale: 1/8" = 1'0"

DATE: 8/9/2024

REVISED

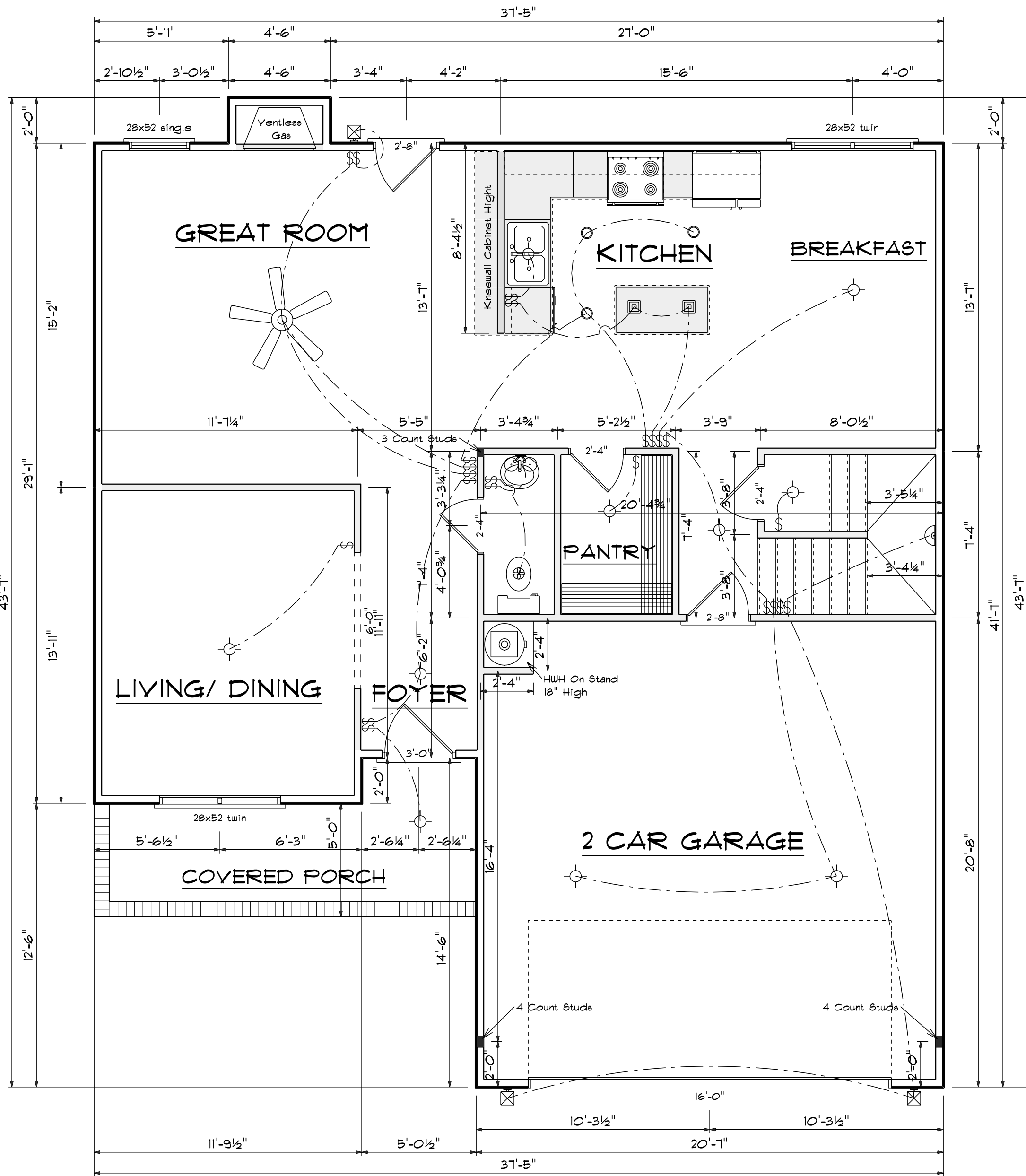
DRAWING#

SCALE: 1/4"

DRAWN BY

APPROVED

Plan #17

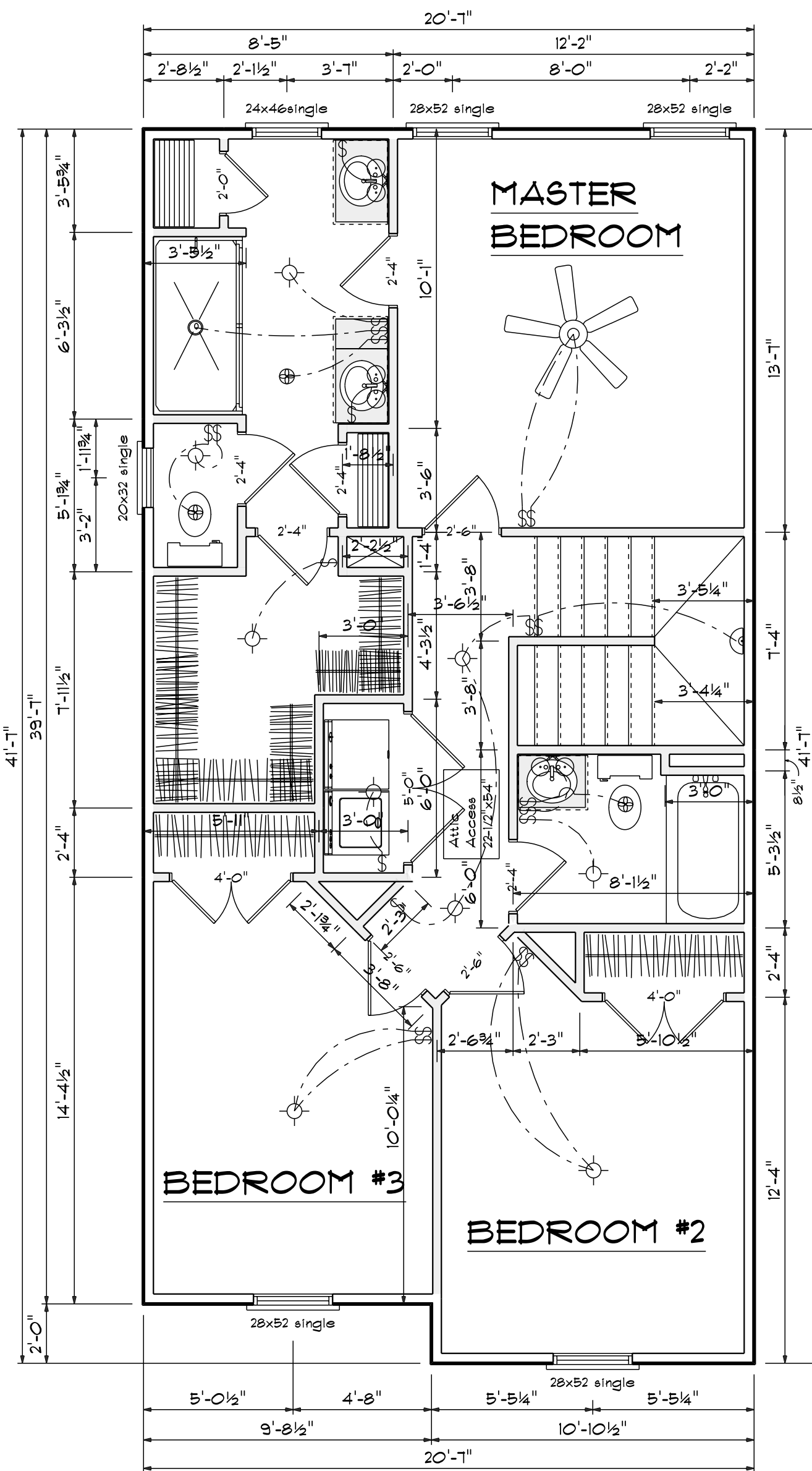


First Floor Plan

Scale: 1/4" = 1'-0"

Areas

First Floor	921
Second Floor	788
=====	
Total Heated	1709
Garage	422
Front Porch	94



Second Floor Plan

Scale: 1/4" = 1'-0"

DATE: 8/9/2024

REVISED

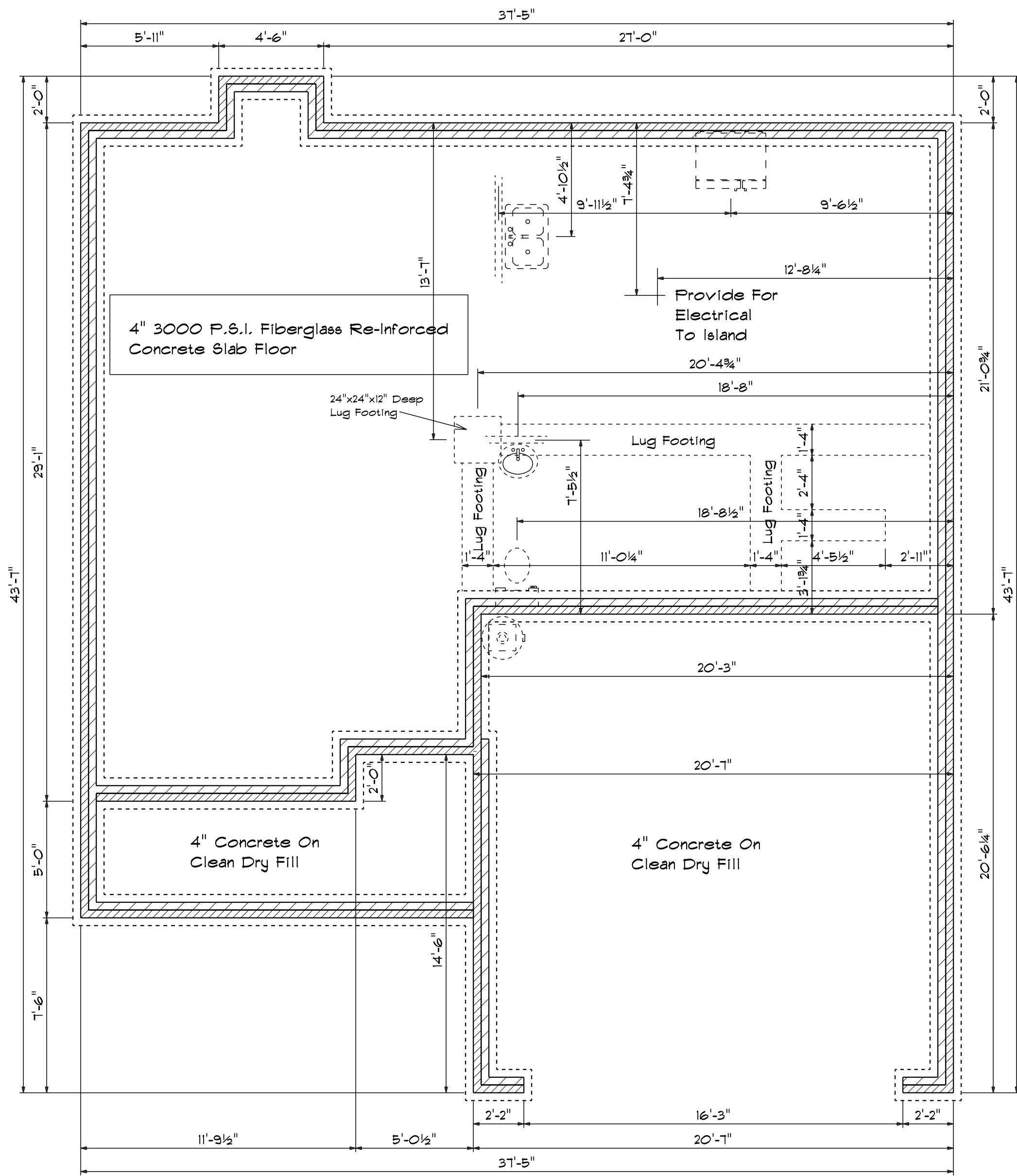
DRAWING#

SCALE: 1/4"

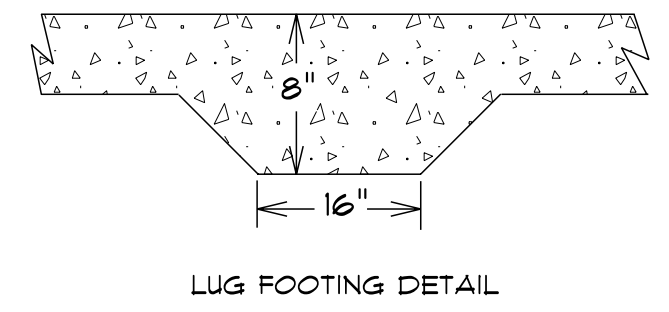
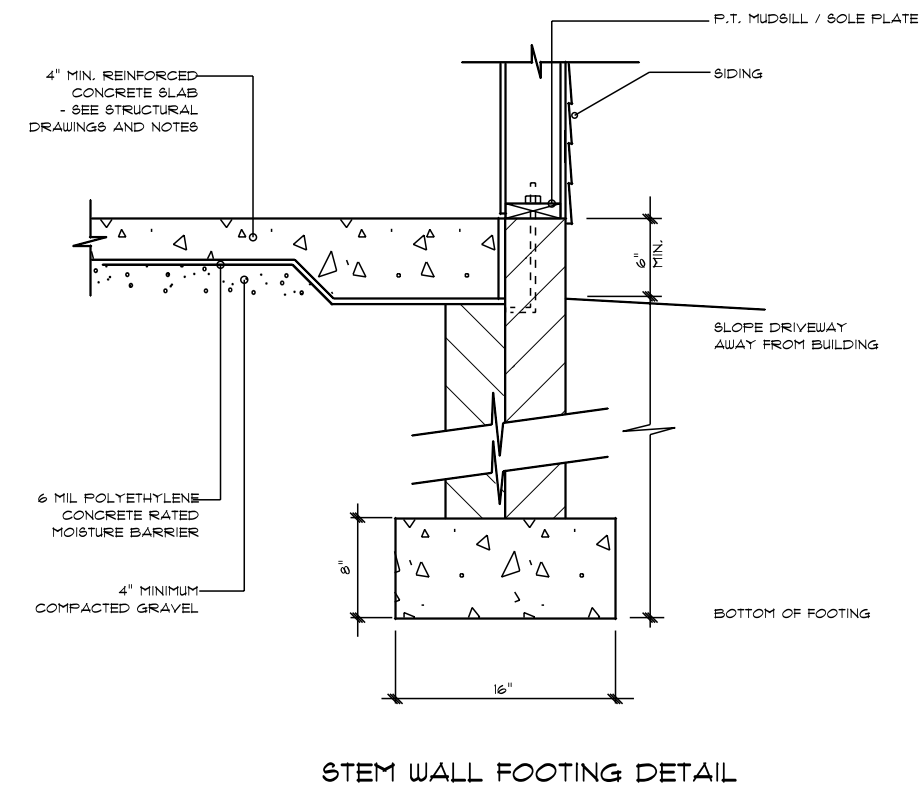
DRAWN BY

APPROVED

Plan #17



Foundation Plan
Scale: 1/4" = 1'-0"



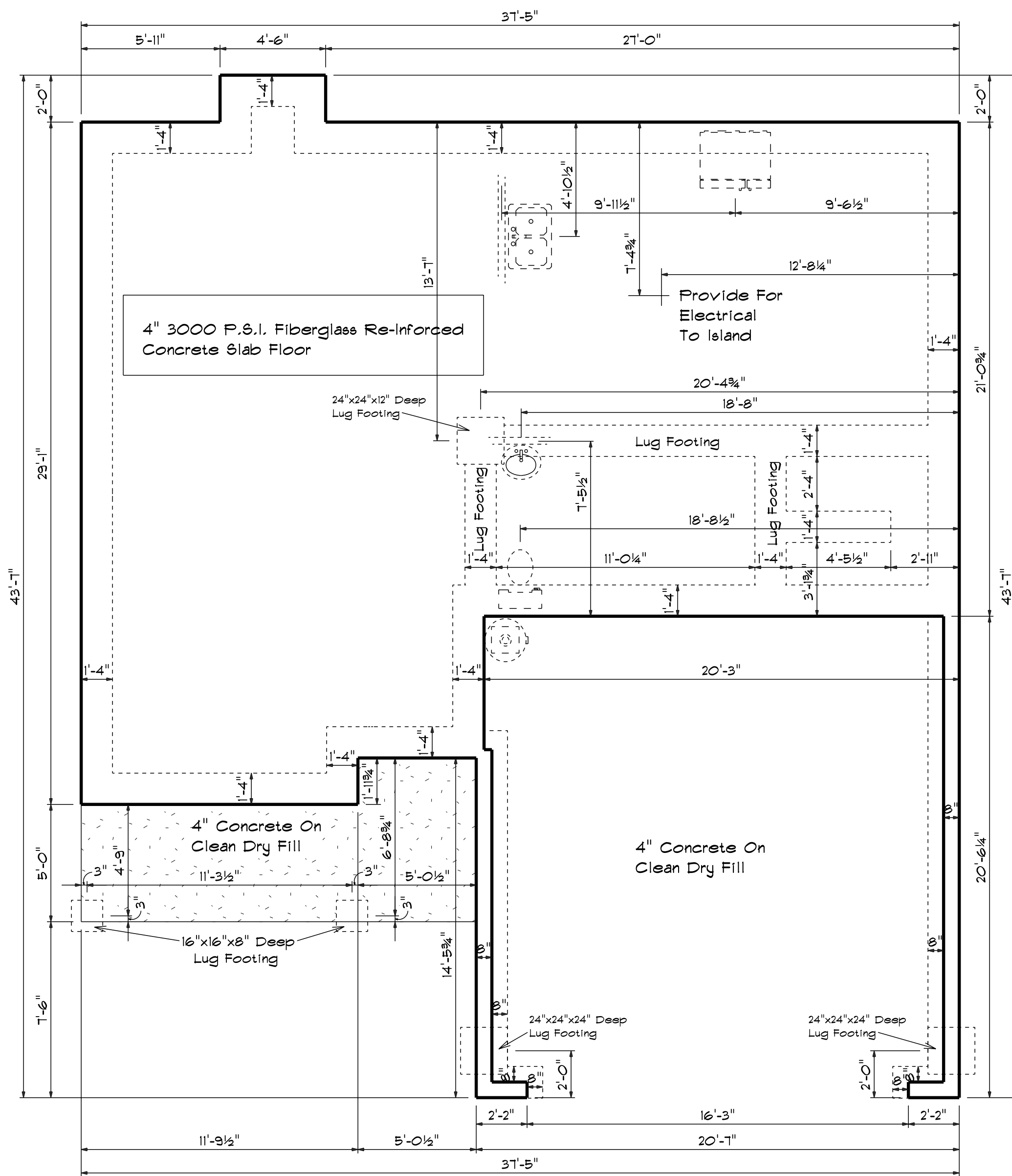
FIRST FLOOR OPENING SCHEDULE				
PRODUCT CODE	SIZE	HINGE	REVERSED	COUNT
2-4 Door Unit	2'-4"	L	NO	1
2-4 Door Unit	2'-4"	R	NO	2
2-8 Door Unit	2'-8"	L	NO	1
28x52 single	2'-8" x 5'-2"	N	NA	1
28x52 twin	5'-4" x 5'-2"	NN	NA	2
32x80 FRENCH A 1	2'-8"	L	NO	1
36x80 COLONIAL A 1	3'-0"	R	NO	1
192X84 - 8 PANEL GARAGE DR	16'-0"	U	NO	1

SECOND FLOOR OPENING SCHEDULE				
PRODUCT CODE	SIZE	HINGE	REVERSED	COUNT
2-0 Door Unit	2'-0"	L	NO	1
2-4 Door Unit	2'-4"	L	NO	1
2-4 Door Unit	2'-4"	R	NO	4
2-6 Door Unit	2'-6"	L	NO	1
2-6 Door Unit	2'-6"	R	NO	2
4-0 Doublehung Door Unit	4'-0"	LR	NO	2
5-0 Doublehung Door Unit	5'-0"	LR	NO	1
20x32 single	2'-0" x 3'-2"	N	NA	1
24x46single	2'-4" x 4'-6"	N	NA	1
28x52 single	2'-8" x 5'-2"	N	NA	4

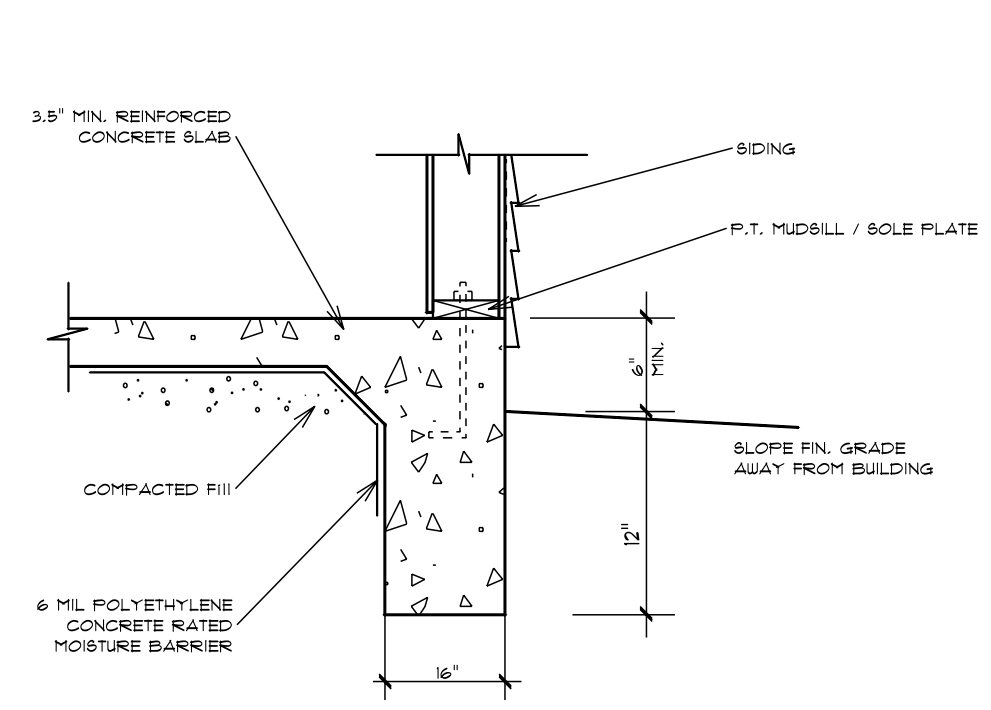
DATE: 8/9/2024
REVISED
DRAWING#

SCALE: 1/4"
DRAWN BY
APPROVED

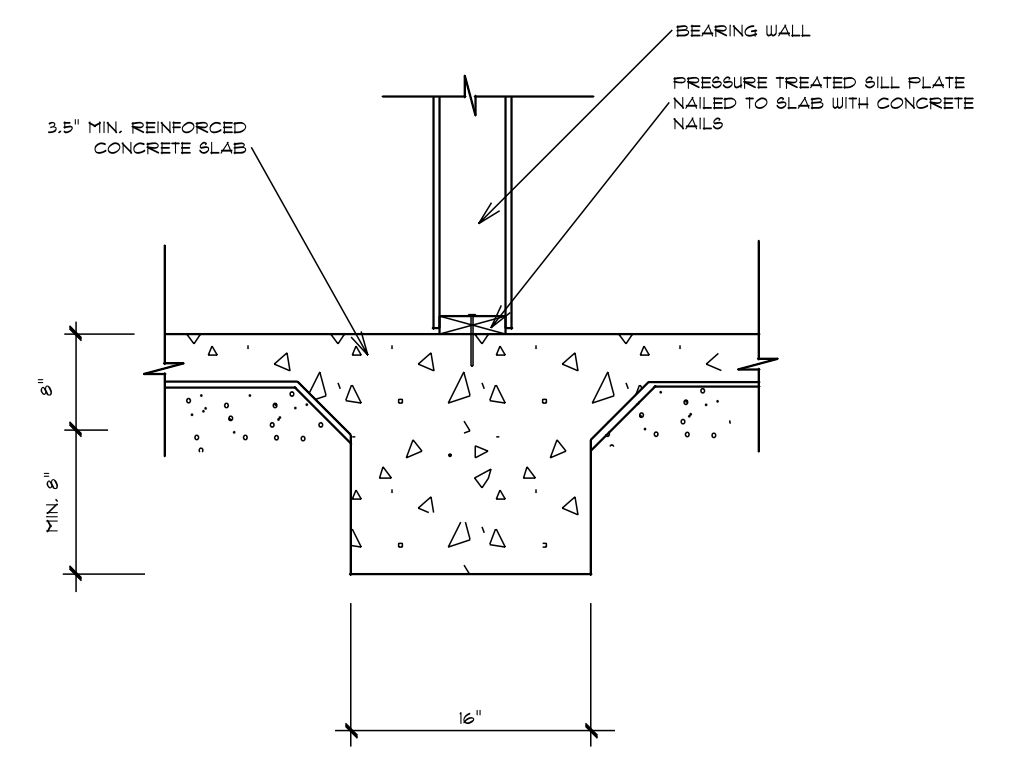
Plan #17



Foundation Plan
Scale: 1/4" = 1'-0"



TURN-DOWN FOOTING DETAIL



INTEGRAL SLAB FOOTING DETAIL AT BEARING WALL

FIRST FLOOR OPENING SCHEDULE					
PRODUCT CODE	SIZE	HINGE	REVERSED	COUNT	
2-4 Door Unit	2'-4"	L	NO	1	
2-4 Door Unit	2'-4"	R	NO	2	
2-8 Door Unit	2'-8"	L	NO	1	
28x52 single	2'-8" x 5'-2"	N	NA	1	
28x52 twin	5'-4" x 5'-2"	NN	NA	2	
32X80 FRENCH A 1	2'-8"	L	NO	1	
36X80 COLONIAL A 1	3'-0"	R	NO	1	
192X84 - 8 PANEL GARAGE DR	16'-0"	U	NO	1	

SECOND FLOOR OPENING SCHEDULE					
PRODUCT CODE	SIZE	HINGE	REVERSED	COUNT	
2-0 Door Unit	2'-0"	L	NO	1	
2-4 Door Unit	2'-4"	L	NO	1	
2-4 Door Unit	2'-4"	R	NO	4	
2-6 Door Unit	2'-6"	L	NO	1	
2-6 Door Unit	2'-6"	R	NO	2	
4-0 Doublehung Door Unit	4'-0"	LR	NO	2	
5-0 Doublehung Door Unit	5'-0"	LR	NO	1	
20x32 single	2'-0" x 3'-2"	N	NA	1	
24x46single	2'-4" x 4'-6"	N	NA	1	
28x52 single	2'-8" x 5'-2"	N	NA	4	

DATE: 8/9/2024
REVISED
DRAWING#

SCALE: 1/4"
DRAWN BY
APPROVED

Plan #17