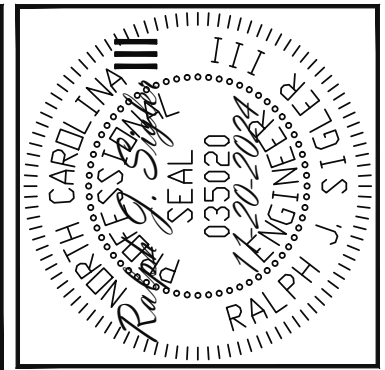
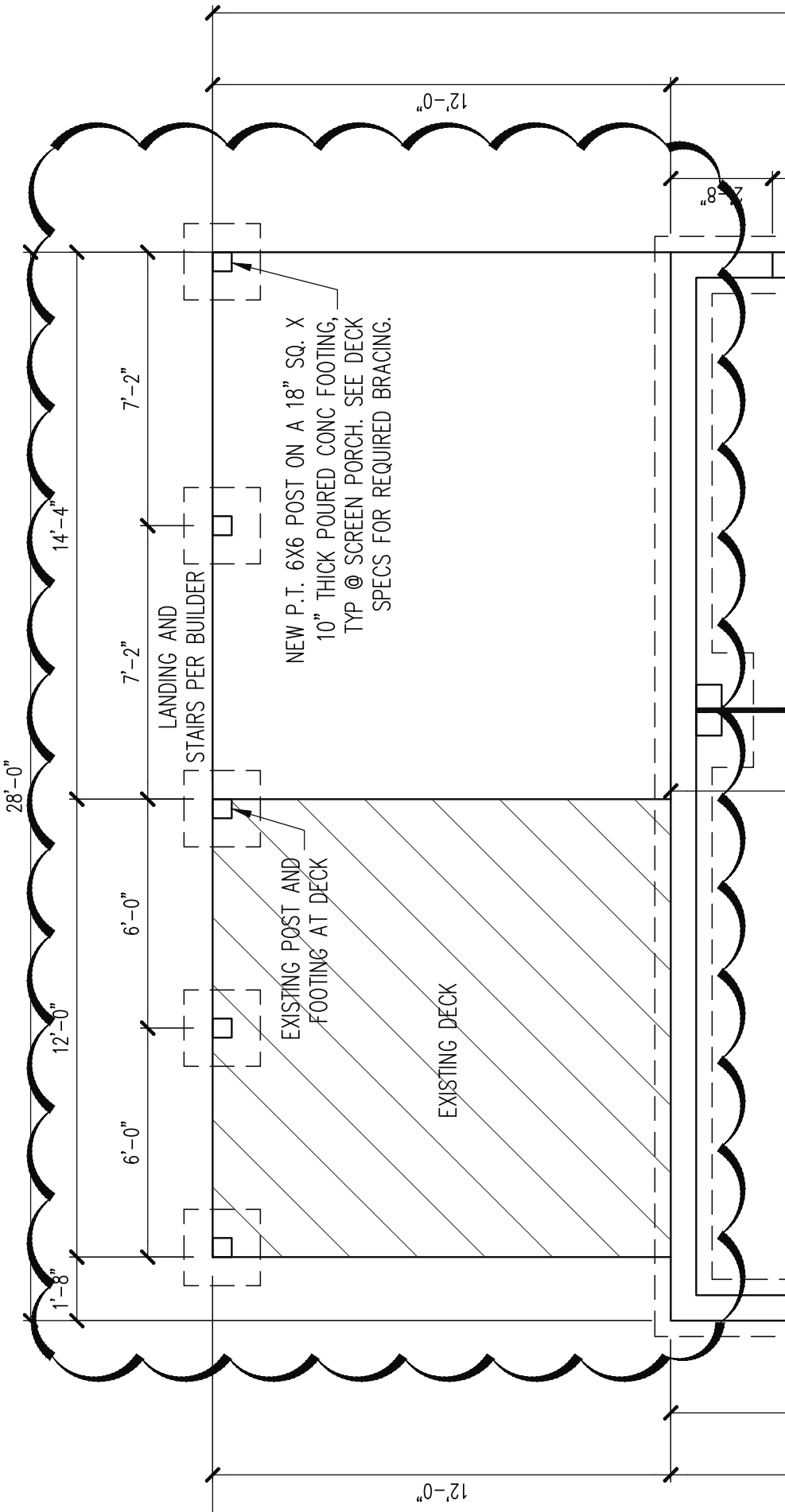


FOUNDATION PLAN

1/4" = 1'-0"



Engineering Tech ASSOCIATES, P.A.
STRUCTURAL ENGINEERS
 License No. C-3870
 318 W Millbrook Rd. Unit 201
 Raleigh, North Carolina 27609
 Phone (919) 844-1661

NEW HOME INC			
SCOPE	NEW DECK, DESIGN ONLY	REV #	REF PROJ #
LOC	17 DUNCAN'S CREEK	DATE	

ENG: RJS/MEB
 DATE: 11-20-2024

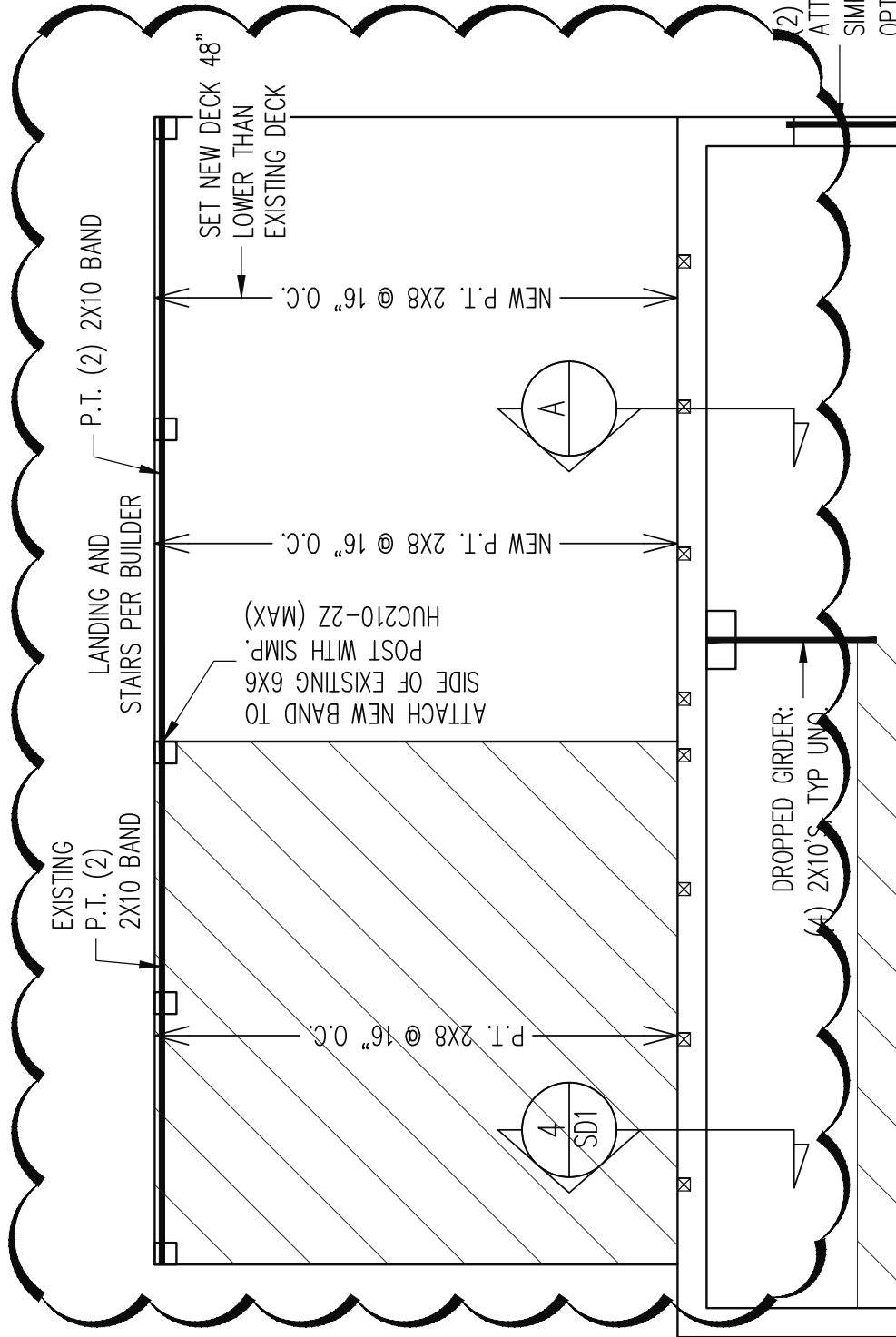
PARENT
 24-65-130

PROJECT NO.
 24-76-213

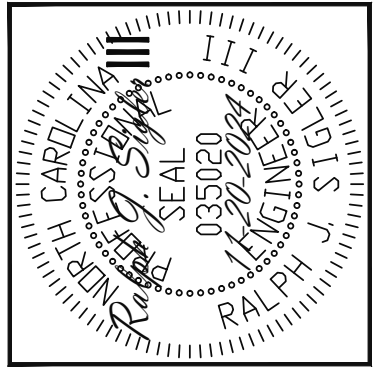
SHEET NO.
 SL1

CRAWL SPACE FRAMING

1/4" = 1'-0"



(2) 1.75" X 11.875" LVL,
ATTACH I-JOISTS TO LVL WITH
SMP. IUS2.06/11.88, TYP UNO.
OPT: (2) 2X10 BAND, DROPPED



Engineering
Lech
ASSOCIATES, P.A.

STRUCTURAL ENGINEERS
License No. C-3870
318 W Millbrook Rd. Unit 201
Raleigh, North Carolina 27609
Phone (919) 844-1661

SCOPE	NEW HOME INC	REV #	REF PROJ #	DATE
LOC	NEW DECK, DESIGN ONLY			
	17 DUNCAN'S CREEK			

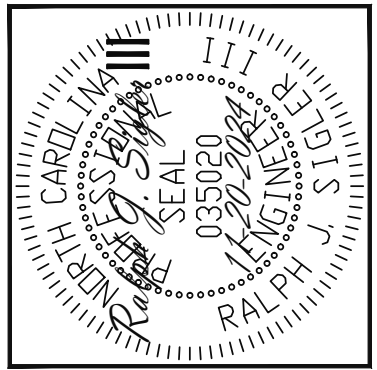
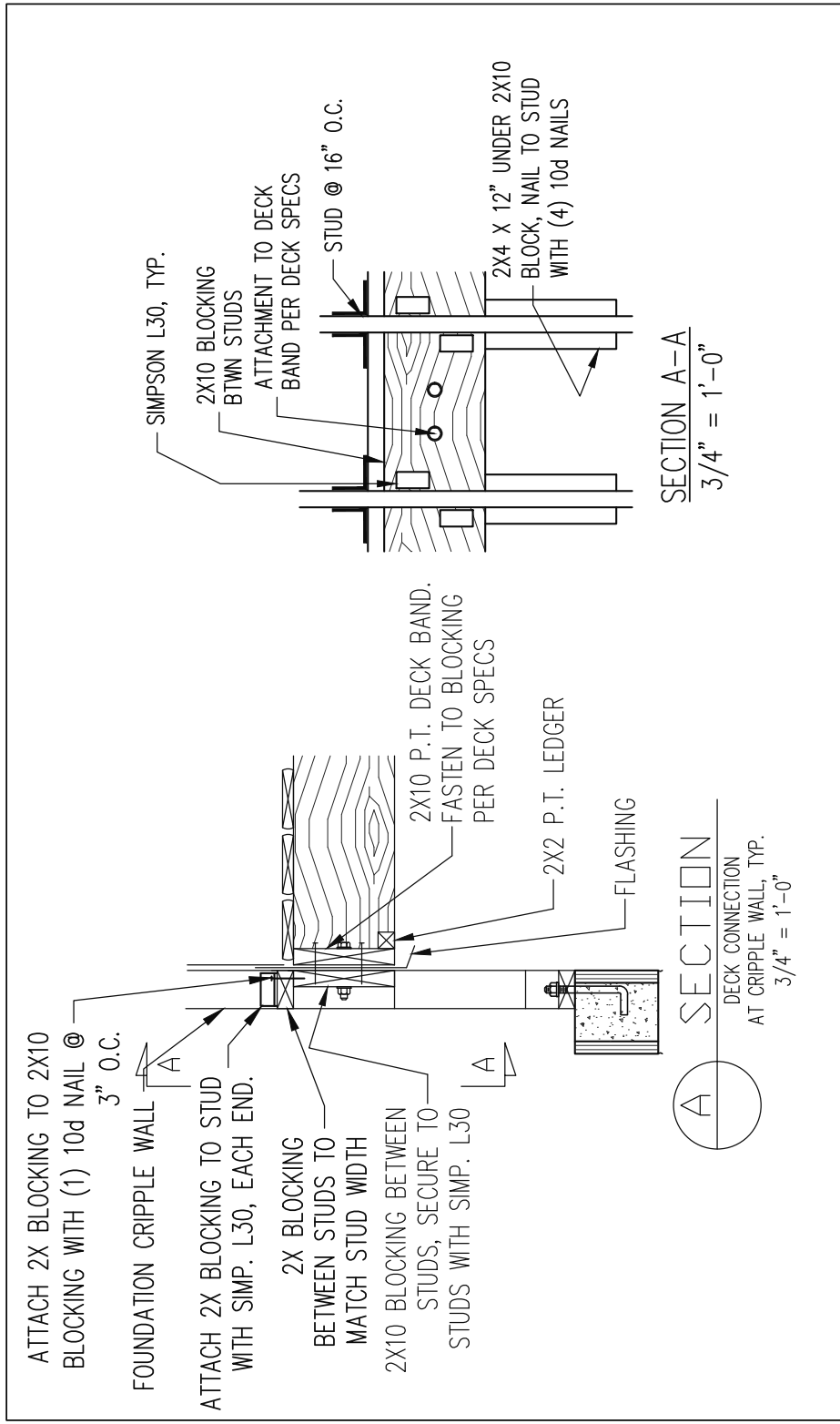
ENG: RJS/MEB
DATE: 11-20-2024

PARENT
24-65-130

PROJECT NO.
24-76-213

SHEET NO.
SL2

2 of 3



Engineering
Tech
ASSOCIATES, P.A.

STRUCTURAL ENGINEERS
License No. C-3870
318 W Millbrook Rd. Unit 201
Raleigh, North Carolina 27609
Phone (919) 844-1661

NEW HOME INC			
SCOPE	NEW DECK, DESIGN ONLY	REV #	REF PROJ #
LOC	17 DUNCAN'S CREEK	DATE	

ENG: RJS/MEB
DATE: 11-20-2024

PARENT
24-65-130

PROJECT NO.
24-76-213

SHEET NO.
SL3

3 of 3