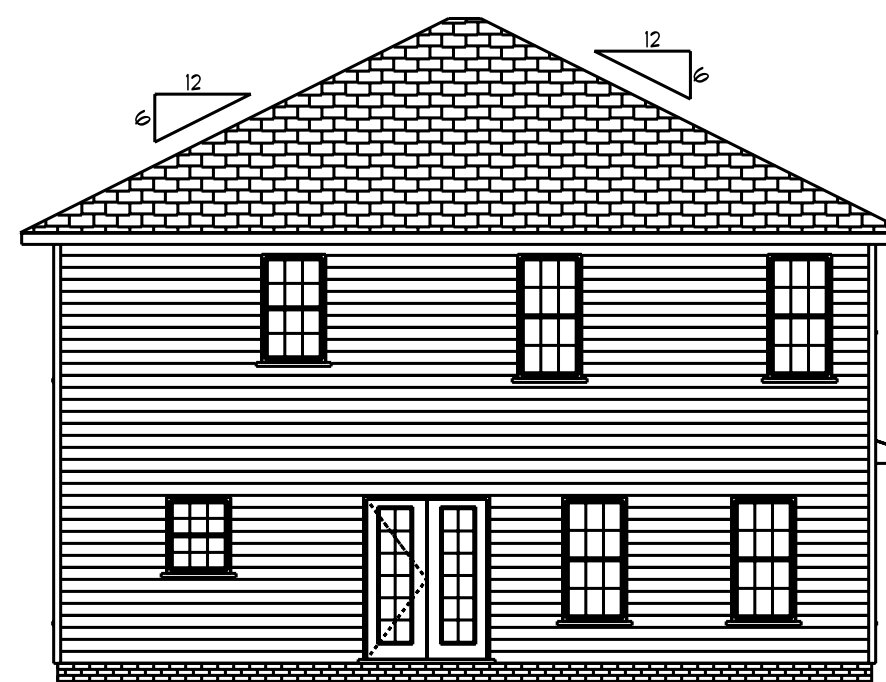
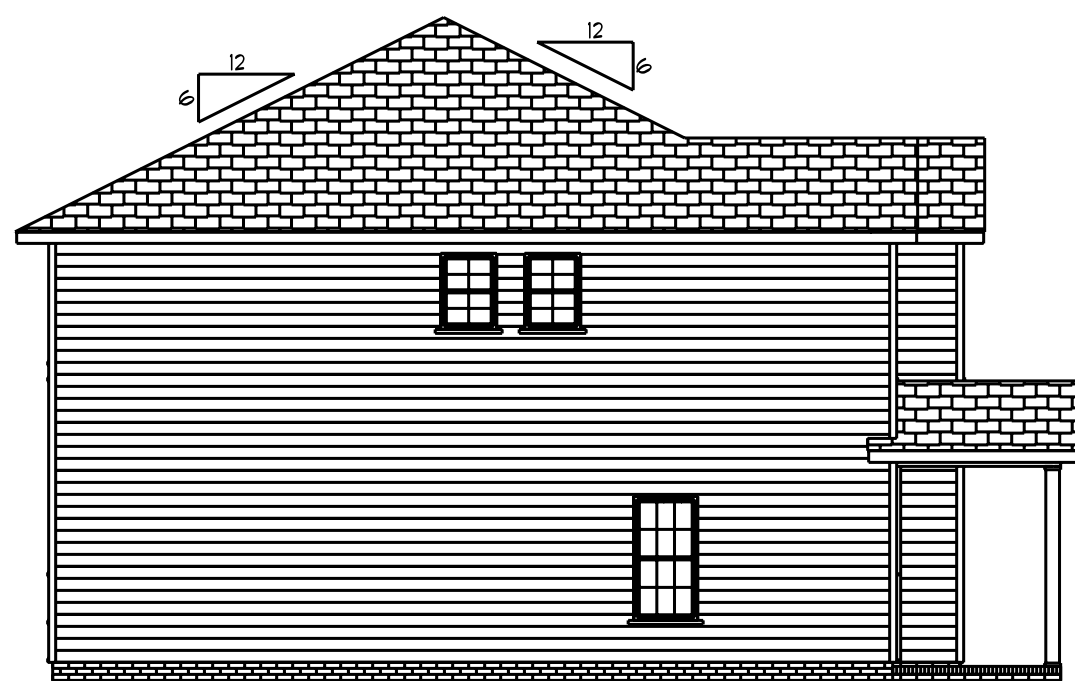




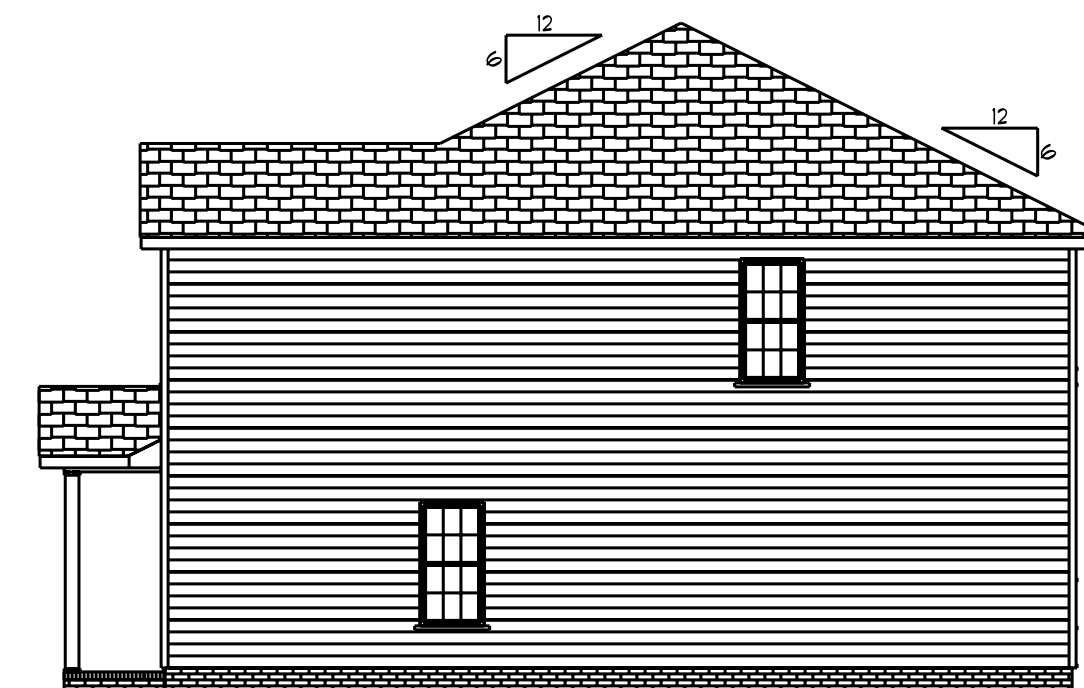
Front Elevation
Scale: 1/4" = 1'0"



Rear Elevation
Scale: 1/8" = 1'0"



Left Elevation
Scale: 1/8" = 1'0"



Right Elevation
Scale: 1/8" = 1'0"

DATE: 8/14/2024
REVISED
DRAWING#

SCALE: 1/4"
DRAWN BY
APPROVED

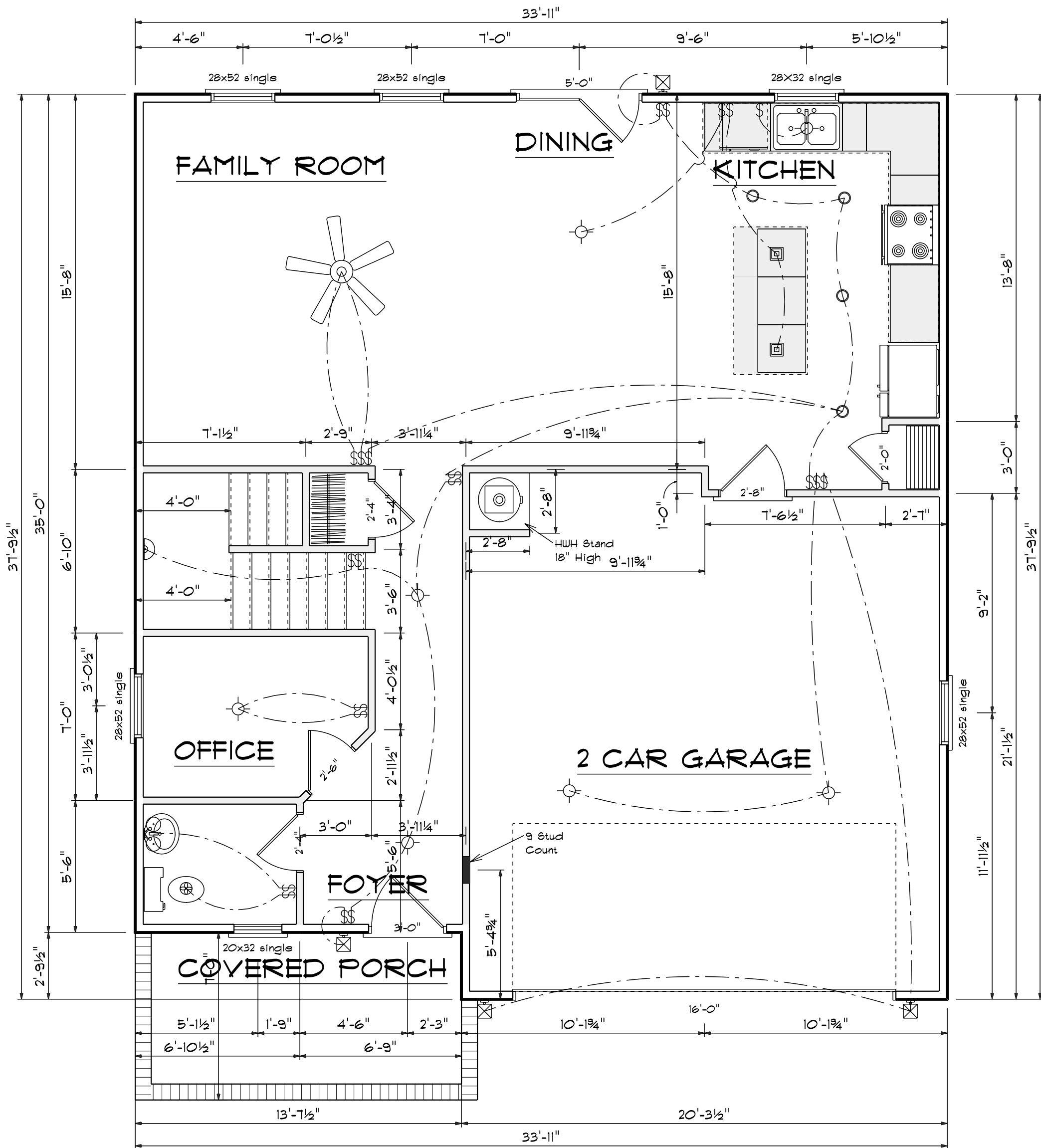
Plan #16

FIRST FLOOR OPENING SCHEDULE				
PRODUCT CODE	SIZE	HINGE	REVERSED	COUNT
2-0 Door Unit	2'-0"	L	NO	1
2-4 Door Unit	2'-4"	L	NO	1
2-4 Door Unit	2'-4"	R	NO	1
2-6 Door Unit	2'-6"	L	NO	1
2-8 Door Unit	2'-8"	L	NO	1
20x32 single	2'-0" x 3'-2"	N	NA	1
28X32 single	2'-8" x 3'-2"	N	NA	1
28x52 single	2'-8" x 5'-2"	N	NA	4
36X80 COLONIAL A 1	3'-0"	R	NO	1
60X80 FRENCH A	5'-0"	RN	NO	1
192X84 - GARAGE DOOR	16'-0"	U	NO	1

Areas

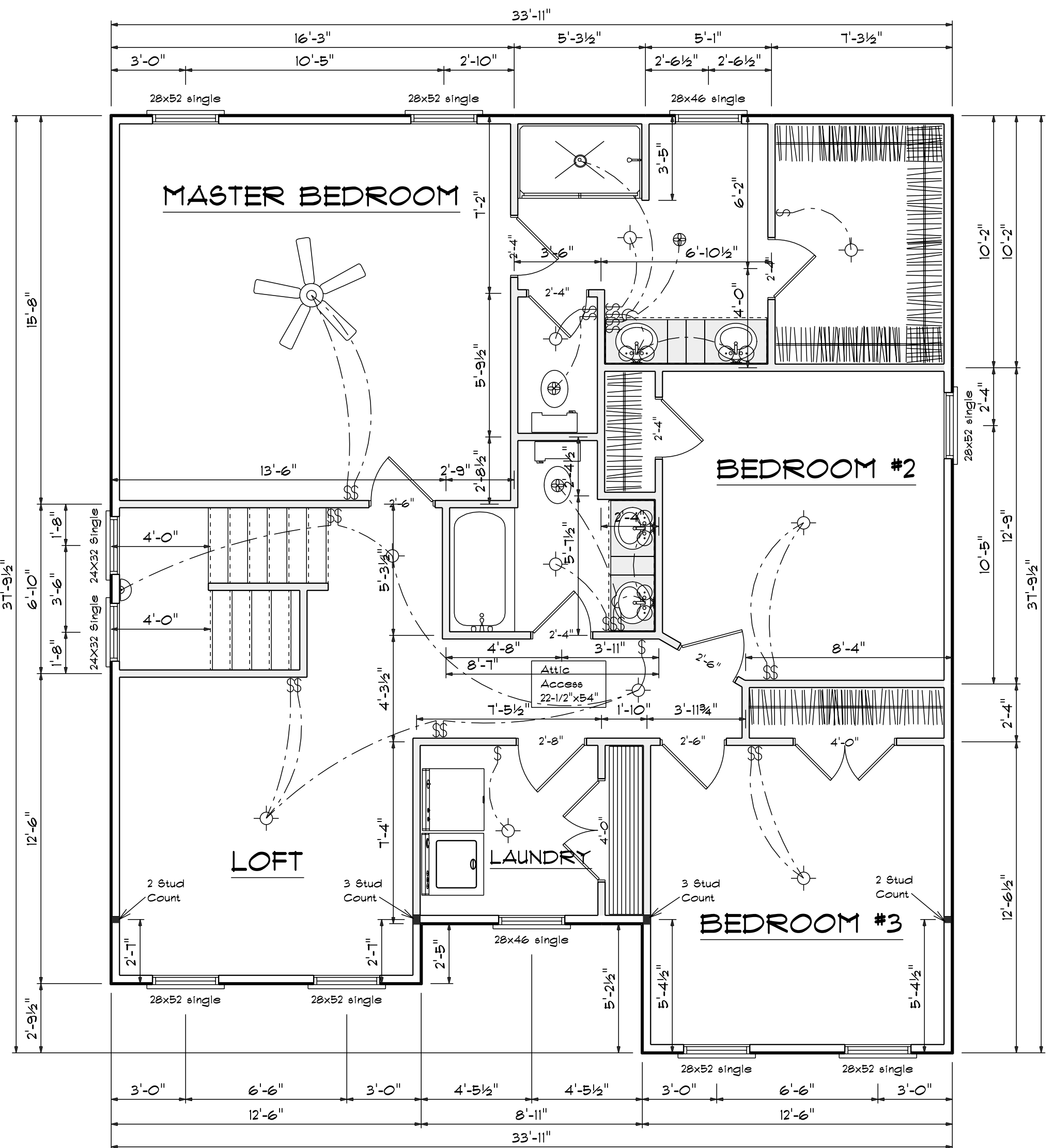
First Floor 820
 Second Floor 1154
 =====
 Total Heated 1914
 Garage 480
 Front Porch 97

SECOND FLOOR OPENING SCHEDULE				
PRODUCT CODE	SIZE	HINGE	REVERSED	COUNT
2-4 Door Unit	2'-4"	L	NO	3
2-4 Door Unit	2'-4"	R	NO	2
2-6 Door Unit	2'-6"	L	NO	1
2-6 Door Unit	2'-6"	R	NO	2
2-8 Door Unit	2'-8"	L	NO	1
4-0 Doublehung Door Unit	4'-0"	LR	NO	1
4-0 Doublehung Door Unit	4'-0"	LR	NO	1
24X32 Single	2'-4" x 3'-2"	N	NA	2
28x46 single	2'-8" x 4'-6"	N	NA	2
28x52 single	2'-8" x 5'-2"	N	NA	7



First Floor Plan

Scale: 1/4" = 1'-0"



Second Floor Plan

Scale: 1/4" = 1'-0"

DATE: 8/14/2024

REVISED

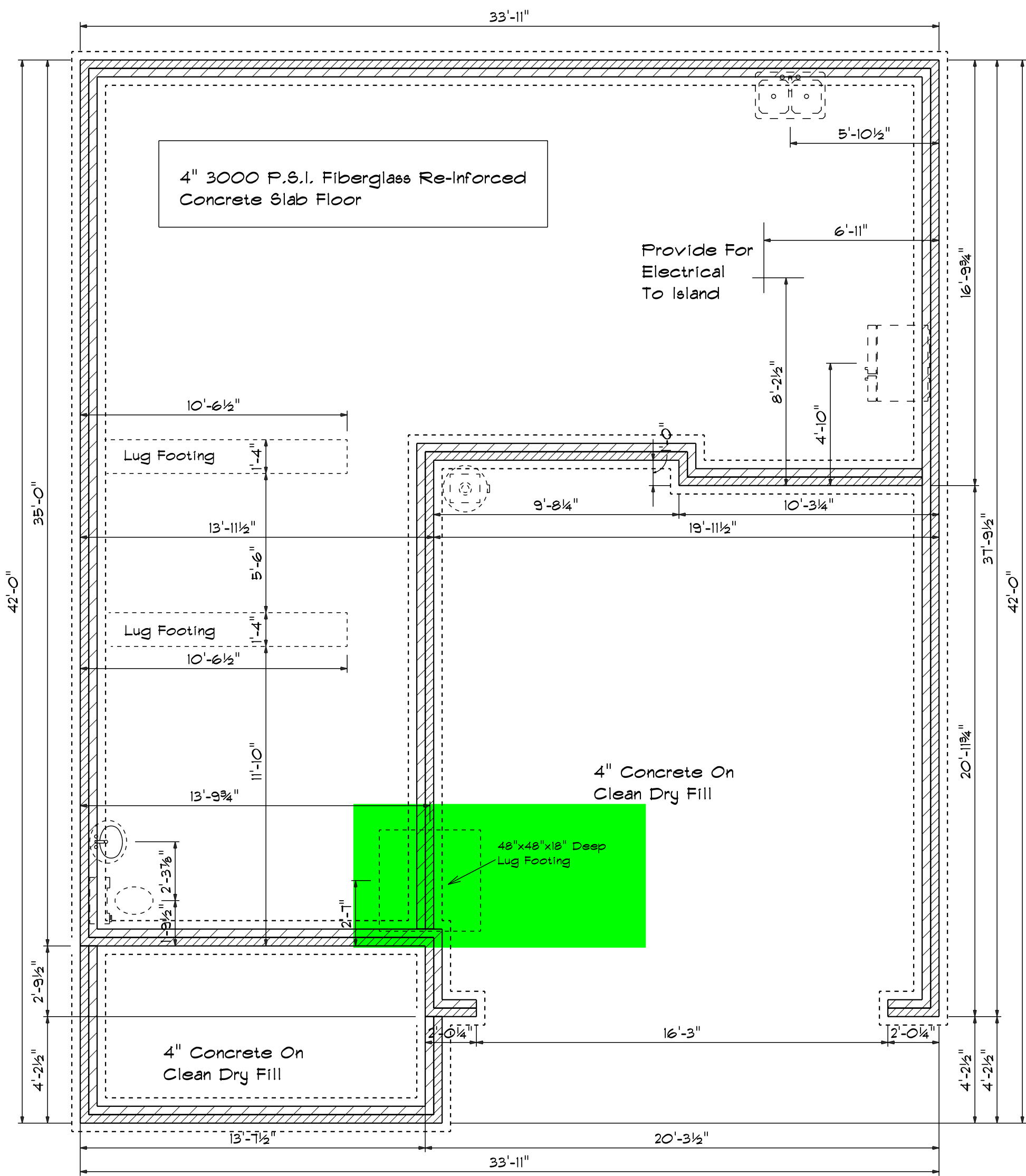
DRAWING#

SCALE: 1/4"

DRAWN BY

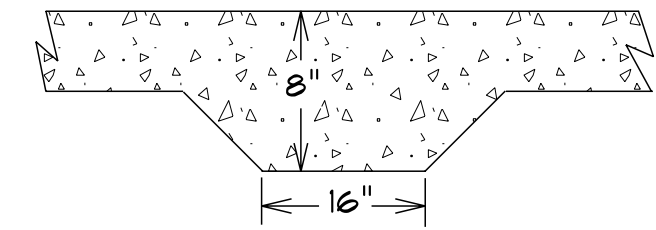
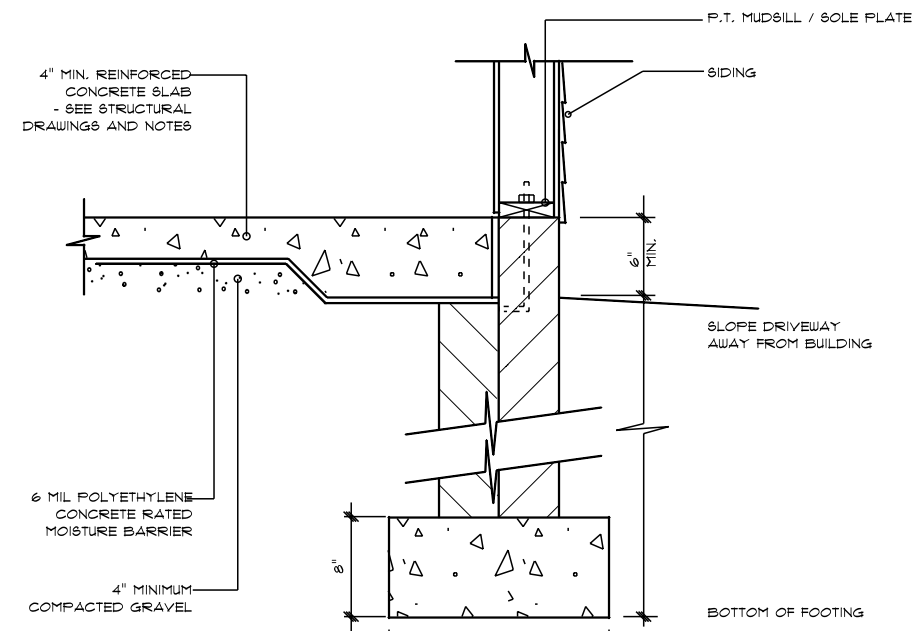
APPROVED

Plan #16



Foundation Plan

Scale: 1/4" = 1'-0"



DATE: 8/14/2024
REVISED
DRAWING#

SCALE: 1/4"
DRAWN BY
APPROVED

Plan #16

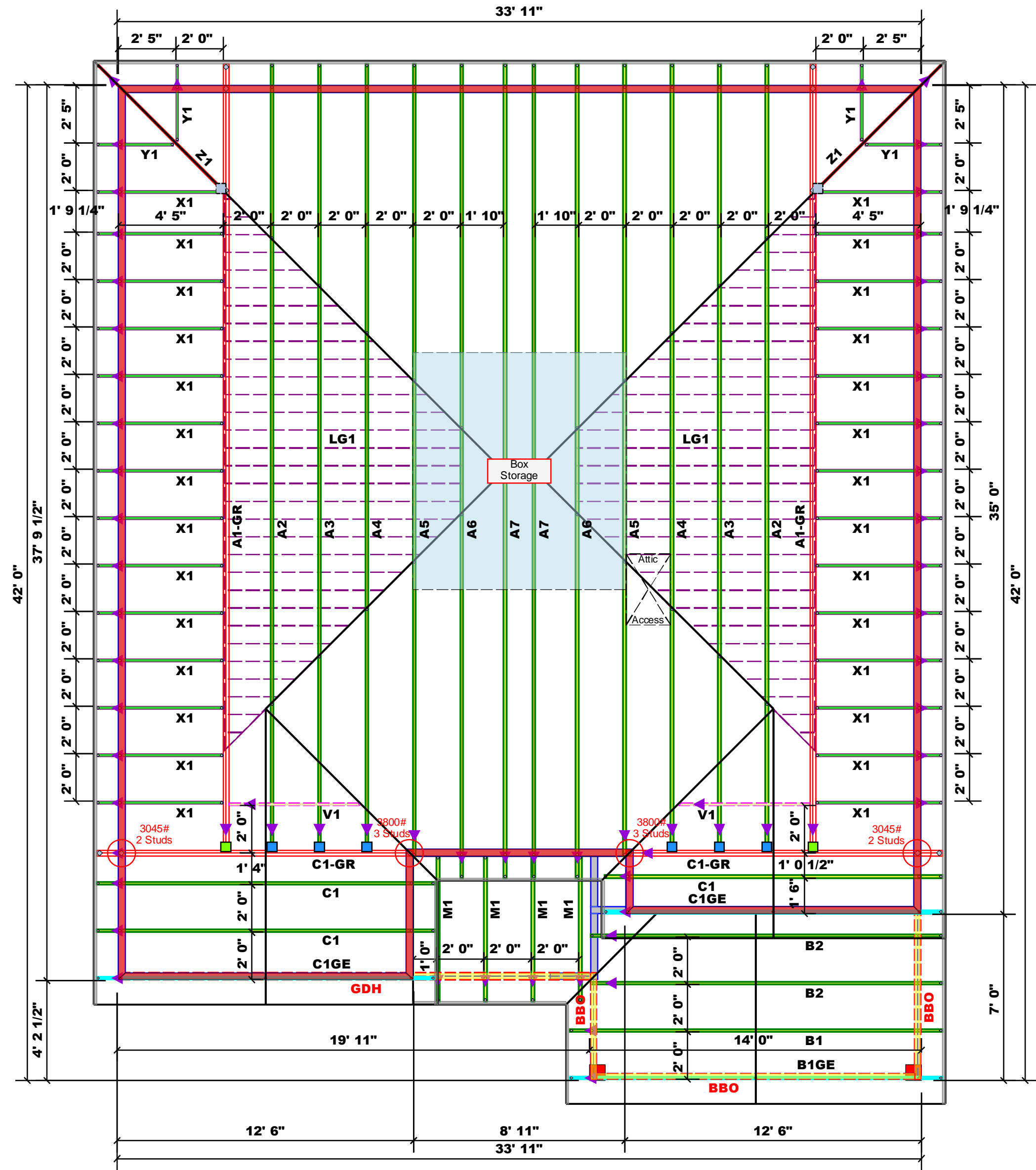


ROOF & FLOOR TRUSSES & BEAMS

Reilly Road Industrial Park
Fayetteville, N.C. 28309
Phone: (910) 864-8787
Fax: (910) 864-4444

Bearing reactions less than or equal to 3000# are deemed to comply with the prescriptive Code requirements. The contractor shall refer to the attached Tables (derived from the prescriptive Code requirements) to determine the minimum foundation size and number of wood studs required to support reactions greater than 3000# but not greater than 15000#. A registered design professional shall be retained to design the support system for any reaction that exceeds those specified in the attached Tables. A registered design professional shall be retained to design the support system for all reactions that exceed 15000#.

Signature Jonathan Landry
Jonathan Landry



All Truss Reactions are Less than 3,000 lbs. Unless Noted Otherwise.
-- Denotes Reaction Greater than 3,000 lbs. Reaction / # of Studs

All Headers Are Considered 2X10 Beams Unless Otherwise Noted

All Walls Shown Are Considered Load Bearing

Roof Area = 1696.99 sq.ft.
Ridge Line = 31.5 ft.
Hip Line = 82 ft.
Horiz. OH = 145.96 ft.
Raked OH = 56.1 ft.
Decking = 58 sheets

Dimension Notes
1. All exterior wall to wall dimensions are to face of sheathing unless noted otherwise
2. All interior wall dimensions are to face of stud unless noted otherwise
3. All exterior wall to truss dimensions are to face of stud unless noted otherwise

Hatch Legend

[Red]	Second Floor Walls
[Blue]	Box Storage
[Yellow]	Drop Beam
[Orange]	Flush Beam

Connector Information					Nail Information	
Sym	Product	Manuf	Qty	Supported Member	Header	Truss
[Blue]	HUS26	USP	6	NA	16d/3-1/2"	16d/3-1/2"
[Green]	THD26-2	USP	2	NA	16d/3-1/2"	10d/3"
[Grey]	HJC26	USP	2	Varies	16d/3-1/2"	10d/3"

Products				
PlotID	Length	Product	Plies	Net Qty
BM1	34' 0"	1-3/4"x 16" LVL Kerto-S	3	3
GDH	20' 0"	1-3/4"x 11-7/8" LVL Kerto-S	2	2

1 Truss Placement Plan
Scale: 1/4"=1'

LOAD CHART FOR JACK STUDS
(BASED ON TABLES R502.5(1) & (b))
NUMBER OF JACK STUDS REQUIRED @ EA END OF HEADER/GIRDER

END REACTION (UP TO)	REQ'D STUDS FOR (1) 1/2" HEADER	END REACTION (UP TO)	REQ'D STUDS FOR (1) 1/2" HEADER	END REACTION (UP TO)	REQ'D STUDS FOR (1) 1/2" HEADER
1700	1	2550	1	3400	1
3400	2	5100	2	6800	2
5100	3	7650	3	10200	3
6800	4	10200	4	13600	4
8500	5	12750	5	17000	5
10200	6	15300	6		
11900	7				
13600	8				
15300	9				

BUILDER	CITY / CO.	JOHNSTON CO. / JOHNSTON
Wellco Contractors	Johnston Co. / Johnston	Johnston Co. / Johnston
JOB NAME	ADDRESS	64 Onslow Court
PLAN	MODEL	Roof
SEAL DATE	DATE REV.	05/08/24
QUOTE #	DRAWN BY	Jonathan Landry
JOB #	SALES REP.	Neil Baggett
		J0524-2671

THIS IS A TRUSS PLACEMENT DIAGRAM ONLY. These trusses are designed as individual building components to be incorporated into the building design at the specification of the building designer. See individual design sheets for each truss design identified on the placement drawing. The building designer is responsible for temporary and permanent bracing of the roof and floor system and for the overall structure. The design of the truss support structure including headers, beams, walls, and columns is the responsibility of the building designer. For general guidance regarding bracing, consult BCSI-B1 and BCSI-B3 provided with the truss delivery package or online @ sbciindustry.com

△ = Indicates Left End of Truss
(Reference Engineered Truss Drawing)
Do NOT Erect Truss Backwards

Trenco
818 Soundside Rd
Edenton, NC 27932

Re: J0524-2671
Lot 8 Overhill's Creek

The truss drawing(s) referenced below have been prepared by Truss Engineering Co. under my direct supervision based on the parameters provided by Comtech, Inc - Fayetteville.

Pages or sheets covered by this seal: I65449351 thru I65449369

My license renewal date for the state of North Carolina is December 31, 2024.

North Carolina COA: C-0844



May 9, 2024

Gilbert, Eric

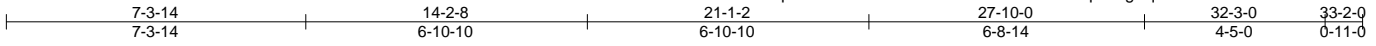
IMPORTANT NOTE: The seal on these truss component designs is a certification that the engineer named is licensed in the jurisdiction(s) identified and that the designs comply with ANSI/TPI 1. These designs are based upon parameters shown (e.g., loads, supports, dimensions, shapes and design codes), which were given to MiTek or TRENCO. Any project specific information included is for MiTek's or TRENCO's customers file reference purpose only, and was not taken into account in the preparation of these designs. MiTek or TRENCO has not independently verified the applicability of the design parameters or the designs for any particular building. Before use, the building designer should verify applicability of design parameters and properly incorporate these designs into the overall building design per ANSI/TPI 1, Chapter 2.

Job J0524-2671	Truss A1-GR	Truss Type HALF HIP GIRDER	Qty 2	Ply 2	Lot 8 Overhill's Creek Job Reference (optional)	165449351
-------------------	----------------	-------------------------------	----------	----------	--	-----------

Comtech, Inc. Fayetteville, NC - 28314,

8.430 s Jan 6 2022 MiTek Industries, Inc. Wed May 8 13:30:44 2024 Page 1

ID:L4ooqZi2iIBaFe1TmHvnKrzle?4-RfC?PsB70Hq3NSgPqnL8w3uITXbGKWrCDoi7J4zJC?f



Scale = 1:56.3

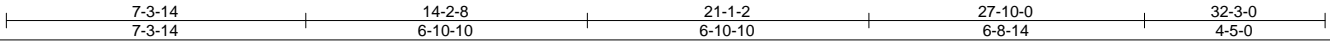
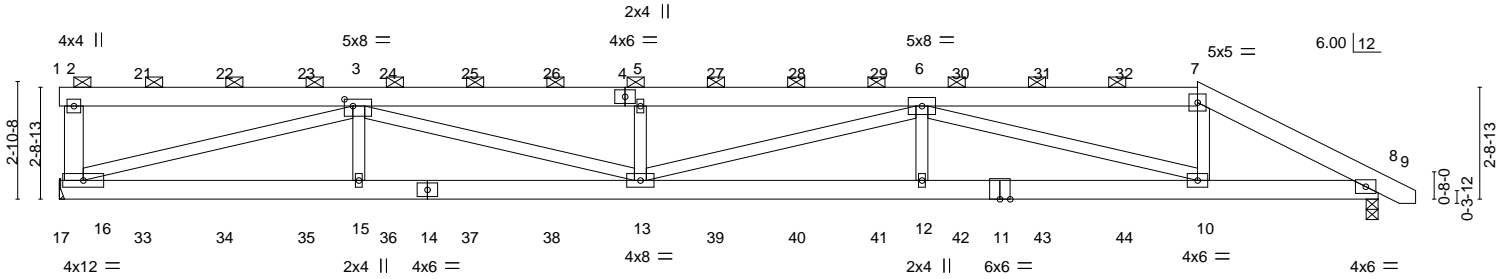


Plate Offsets (X,Y)-- [3:0-2-8,0-2-0]

LOADING (psf)	SPACING-	CSI.	DEFL.	PLATES	GRIP
TCLL 20.0	2-0-0	TC 0.25	in (loc) l/defl L/d	MT20	244/190
TCDL 10.0	Plate Grip DOL 1.15	BC 0.51	Vert(LL) -0.22 12-13 >999 360		
BCLL 0.0 *	Lumber DOL 1.15	WB 0.93	Vert(CT) -0.44 12-13 >874 240		
BCDL 10.0	Rep Stress Incr NO	Matrix-MS	Horz(CT) 0.07 8 n/a n/a		
	Code IRC2015/TPI2014		Wind(LL) 0.25 12-13 >999 240	Weight: 421 lb	FT = 25%

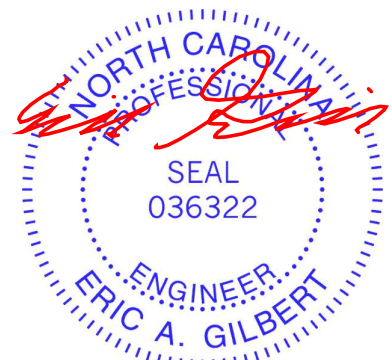
LUMBER-
 TOP CHORD 2x6 SP No.1
 BOT CHORD 2x6 SP No.1
 WEBS 2x4 SP No.2 *Except*
 2-16: 2x6 SP No.1

BRACING-
 TOP CHORD Structural wood sheathing directly applied or 6-0-0 oc purlins, except end verticals, and 2-0-0 oc purlins (6-0-0 max.): 1-7.
 BOT CHORD Rigid ceiling directly applied or 10-0-0 oc bracing.

REACTIONS. (size) 16=Mechanical, 8=0-3-8
 Max Horz 16=104(LC 9)
 Max Uplift 16=550(LC 4), 8=532(LC 4)
 Max Grav 16=2020(LC 1), 8=2092(LC 20)

FORCES. (lb) - Max. Comp./Max. Ten. - All forces 250 (lb) or less except when shown.
 TOP CHORD 2-16=-343/187, 2-3=-343/91, 3-5=-7097/1919, 5-6=-7097/1919, 6-7=-3539/984, 7-8=-4088/1087
 BOT CHORD 15-16=-1273/4917, 13-15=-1273/4917, 12-13=-1746/6653, 10-12=-1746/6653, 8-10=-925/3624
 WEBS 3-16=-4813/1305, 3-15=0/383, 3-13=-620/2296, 5-13=-594/352, 6-13=-123/493, 6-12=0/414, 6-10=-3322/906, 7-10=-246/1383

- NOTES-**
- 2-ply truss to be connected together with 10d (0.131"x3") nails as follows:
 Top chords connected as follows: 2x6 - 2 rows staggered at 0-9-0 oc.
 Bottom chords connected as follows: 2x6 - 2 rows staggered at 0-9-0 oc.
 Webs connected as follows: 2x4 - 1 row at 0-9-0 oc.
 - All loads are considered equally applied to all plies, except if noted as front (F) or back (B) face in the LOAD CASE(S) section. Ply to ply connections have been provided to distribute only loads noted as (F) or (B), unless otherwise indicated.
 - Unbalanced roof live loads have been considered for this design.
 - Wind: ASCE 7-10; Vult=150mph Vasd=119mph; TCDL=6.0psf; BCDL=6.0psf; h=15ft; Cat. II; Exp C; Enclosed; MWFRS (envelope); Lumber DOL=1.60 plate grip DOL=1.60
 - Provide adequate drainage to prevent water ponding.
 - This truss has been designed for a 10.0 psf bottom chord live load nonconcurrent with any other live loads.
 - * This truss has been designed for a live load of 30.0psf on the bottom chord in all areas where a rectangle 3-6-0 tall by 2-0-0 wide will fit between the bottom chord and any other members.
 - Refer to girder(s) for truss to truss connections.
 - Provide mechanical connection (by others) of truss to bearing plate capable of withstanding 550 lb uplift at joint 16 and 532 lb uplift at joint 8.
 - Graphical purlin representation does not depict the size or the orientation of the purlin along the top and/or bottom chord.



May 9, 2024

Continued on page 2

WARNING - Verify design parameters and READ NOTES ON THIS AND INCLUDED MITEK REFERENCE PAGE MII-7473 rev. 1/2/2023 BEFORE USE.
 Design valid for use only with MiTek® connectors. This design is based only upon parameters shown, and is for an individual building component, not a truss system. Before use, the building designer must verify the applicability of design parameters and properly incorporate this design into the overall building design. Bracing indicated is to prevent buckling of individual truss web and/or chord members only. Additional temporary and permanent bracing is always required for stability and to prevent collapse with possible personal injury and property damage. For general guidance regarding the fabrication, storage, delivery, erection and bracing of trusses and truss systems, see **ANSI/TP1 Quality Criteria and DSB-22** available from Truss Plate Institute (www.tpinst.org) and **BCSI Building Component Safety Information** available from the Structural Building Component Association (www.sbcacomponents.com)

ENGINEERING BY
TRENCO
 A MiTek Affiliate
 818 Soundside Road
 Edenton, NC 27932

Job J0524-2671	Truss A1-GR	Truss Type HALF HIP GIRDER	Qty 2	Ply 2	Lot 8 Overhill's Creek Job Reference (optional)	I65449351
-------------------	----------------	-------------------------------	----------	-----------------	--	-----------

Comtech, Inc. Fayetteville, NC - 28314,

8.430 s Jan 6 2022 MiTek Industries, Inc. Wed May 8 13:30:44 2024 Page 2
ID:L4ooqZl2lIBaFe1TmHvnKrzle?4-RfC?PsB70Hq3NSgPqnL8w3ulTXbGKWrcDoi7J4zJC?f

NOTES-

11) Hanger(s) or other connection device(s) shall be provided sufficient to support concentrated load(s) 60 lb down and 84 lb up at 2-0-0, 60 lb down and 84 lb up at 4-0-0, 60 lb down and 84 lb up at 6-0-0, 60 lb down and 84 lb up at 8-0-0, 60 lb down and 84 lb up at 10-0-0, 60 lb down and 84 lb up at 12-0-0, 60 lb down and 84 lb up at 14-0-0, 60 lb down and 84 lb up at 16-0-0, 60 lb down and 84 lb up at 18-0-0, 60 lb down and 84 lb up at 20-0-0, 60 lb down and 84 lb up at 22-0-0, 60 lb down and 84 lb up at 24-0-0, and 60 lb down and 84 lb up at 26-0-0, and 73 lb down and 84 lb up at 27-10-0 on top chord, and 40 lb down at 2-0-0, 40 lb down at 4-0-0, 40 lb down at 6-0-0, 40 lb down at 8-0-0, 40 lb down at 10-0-0, 40 lb down at 12-0-0, 40 lb down at 14-0-0, 40 lb down at 16-0-0, 40 lb down at 18-0-0, 40 lb down at 20-0-0, 40 lb down at 22-0-0, 40 lb down at 24-0-0, and 40 lb down at 26-0-0, and 256 lb down and 100 lb up at 27-9-4 on bottom chord. The design/selection of such connection device(s) is the responsibility of others.

LOAD CASE(S) Standard

1) Dead + Roof Live (balanced): Lumber Increase=1.15, Plate Increase=1.15

Uniform Loads (plf)

Vert: 1-2=-60, 2-7=-60, 7-9=-60, 17-18=-20

Concentrated Loads (lb)

Vert: 4=-54(F) 13=-37(F) 10=-256(F) 7=-54(F) 21=-54(F) 22=-54(F) 23=-54(F) 24=-54(F) 25=-54(F) 26=-54(F) 27=-54(F) 28=-54(F) 29=-54(F) 30=-54(F) 31=-54(F) 32=-54(F) 33=-37(F) 34=-37(F) 35=-37(F) 36=-37(F) 37=-37(F) 38=-37(F) 39=-37(F) 40=-37(F) 41=-37(F) 42=-37(F) 43=-37(F) 44=-37(F)

WARNING - Verify design parameters and READ NOTES ON THIS AND INCLUDED MITEK REFERENCE PAGE MII-7473 rev. 1/2/2023 BEFORE USE.

Design valid for use only with MiTek® connectors. This design is based only upon parameters shown, and is for an individual building component, not a truss system. Before use, the building designer must verify the applicability of design parameters and properly incorporate this design into the overall building design. Bracing indicated is to prevent buckling of individual truss web and/or chord members only. Additional temporary and permanent bracing is always required for stability and to prevent collapse with possible personal injury and property damage. For general guidance regarding the fabrication, storage, delivery, erection and bracing of trusses and truss systems, see **ANSI/TP1 Quality Criteria and DSB-22** available from Truss Plate Institute (www.tpinst.org) and **BCSI Building Component Safety Information** available from the Structural Building Component Association (www.sbcacomponents.com)



818 Soundside Road
Edenton, NC 27932

Job J0524-2671	Truss A2	Truss Type HIP	Qty 2	Ply 1	Lot 8 Overhill's Creek Job Reference (optional)	165449352
-------------------	-------------	-------------------	----------	----------	--	-----------

Comtech, Inc. Fayetteville, NC - 28314,

8.430 s Jan 6 2022 MiTek Industries, Inc. Wed May 8 13:30:45 2024 Page 1

ID:L4ooqZl2lIBaFe1TmHvnKrzle?4-RfC?PsB70Hq3NSgPqnL8w3ulTXbGKWrCDoi7J4zJC?f



Scale = 1:57.5

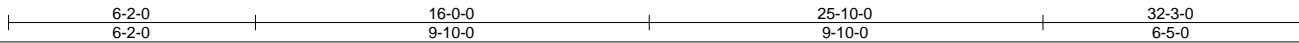
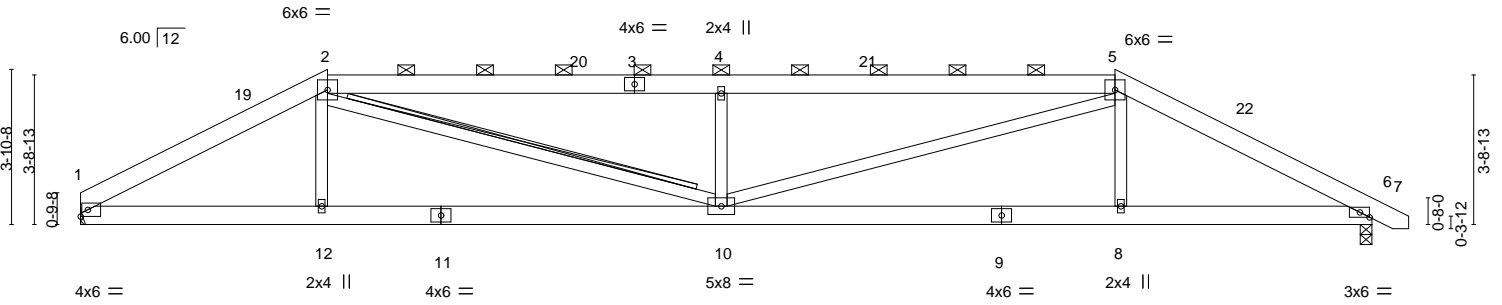


Plate Offsets (X, Y)--	[6:0-2-14,0-1-8]
------------------------	------------------

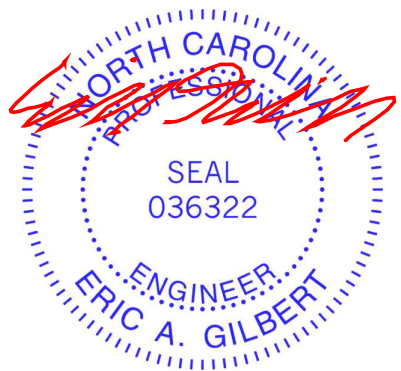
LOADING (psf)	SPACING-	2-0-0	CSI.	DEFL.	in (loc)	l/defl	L/d	PLATES	GRIP
TCLL 20.0	Plate Grip DOL	1.15	TC 0.43	Vert(LL)	-0.16	10	>999	MT20	244/190
TCDL 10.0	Lumber DOL	1.15	BC 0.39	Vert(CT)	-0.32	10-12	>999		
BCLL 0.0 *	Rep Stress Incr	YES	WB 0.99	Horz(CT)	0.06	6	n/a		
BCDL 10.0	Code IRC2015/TPI2014		Matrix-AS	Wind(LL)	0.16	10	>999	Weight: 200 lb	FT = 25%

LUMBER-	BRACING-
TOP CHORD 2x6 SP No.1	TOP CHORD Structural wood sheathing directly applied, except
BOT CHORD 2x6 SP No.1	2-0-0 oc purlins (3-9-2 max.): 2-5.
WEBS 2x4 SP No.2	BOT CHORD Rigid ceiling directly applied.
	WEBS T-Brace: 2x4 SPF No.2 - 2-10
	Fasten (2X) T and I braces to narrow edge of web with 10d
	(0.131"x3") nails, 6in o.c., with 3in minimum end distance.
	Brace must cover 90% of web length.

REACTIONS. (size) 1=Mechanical, 6=0-3-8
Max Horz 1=-66(LC 13)
Max Uplift 1=-223(LC 9), 6=-230(LC 8)
Max Grav 1=1290(LC 1), 6=1333(LC 1)

FORCES. (lb) - Max. Comp./Max. Ten. - All forces 250 (lb) or less except when shown.
TOP CHORD 1-2=-2345/1026, 2-4=-3362/1512, 4-5=-3363/1513, 5-6=-2412/1030
BOT CHORD 1-12=-766/2034, 10-12=-770/2028, 8-10=-788/2097, 6-8=-785/2104
WEBS 2-12=0/302, 2-10=-545/1498, 4-10=-680/480, 5-10=-524/1434, 5-8=0/327

- NOTES-**
- 1) Unbalanced roof live loads have been considered for this design.
 - 2) Wind: ASCE 7-10; Vult=150mph Vasd=119mph; TCDL=6.0psf; BCDL=6.0psf; h=15ft; Cat. II; Exp C; Enclosed; MWFRS (envelope) and C-C Exterior(2) 0-0-0 to 4-4-13, Interior(1) 4-4-13 to 6-2-0, Exterior(2) 6-2-0 to 12-4-11, Interior(1) 12-4-11 to 25-10-0, Exterior(2) 25-10-0 to 32-3-0, Interior(1) 32-3-0 to 32-11-10 zone; C-C for members and forces & MWFRS for reactions shown; Lumber DOL=1.60 plate grip DOL=1.60
 - 3) Provide adequate drainage to prevent water ponding.
 - 4) This truss has been designed for a 10.0 psf bottom chord live load nonconcurrent with any other live loads.
 - 5) * This truss has been designed for a live load of 30.0psf on the bottom chord in all areas where a rectangle 3-6-0 tall by 2-0-0 wide will fit between the bottom chord and any other members.
 - 6) Refer to girder(s) for truss to truss connections.
 - 7) Provide mechanical connection (by others) of truss to bearing plate capable of withstanding 223 lb uplift at joint 1 and 230 lb uplift at joint 6.
 - 8) This truss design requires that a minimum of 7/16" structural wood sheathing be applied directly to the top chord and 1/2" gypsum sheetrock be applied directly to the bottom chord.
 - 9) Graphical purlin representation does not depict the size or the orientation of the purlin along the top and/or bottom chord.
 - 10) Warning: Additional permanent and stability bracing for truss system (not part of this component design) is always required.



May 9, 2024

<p>WARNING - Verify design parameters and READ NOTES ON THIS AND INCLUDED MITEK REFERENCE PAGE MII-7473 rev. 1/2/2023 BEFORE USE.</p> <p>Design valid for use only with MiTek® connectors. This design is based only upon parameters shown, and is for an individual building component, not a truss system. Before use, the building designer must verify the applicability of design parameters and properly incorporate this design into the overall building design. Bracing indicated is to prevent buckling of individual truss web and/or chord members only. Additional temporary and permanent bracing is always required for stability and to prevent collapse with possible personal injury and property damage. For general guidance regarding the fabrication, storage, delivery, erection and bracing of trusses and truss systems, see ANSI/TPH Quality Criteria and DSB-22 available from Truss Plate Institute (www.tpinst.org) and BCSI Building Component Safety Information available from the Structural Building Component Association (www.sbccomponents.com)</p>	<p>ENGINEERING BY</p> <p>TRENCO</p> <p>A MITEK Affiliate</p> <p>818 Soundside Road Edenton, NC 27932</p>
---	---

Job	Truss	Truss Type	Qty	Ply	Lot 8 Overhill's Creek
J0524-2671	A4	HIP	2	1	165449354

Comtech, Inc. Fayetteville, NC - 28314,

8.430 s Jan 6 2022 MiTek Industries, Inc. Wed May 8 13:30:46 2024 Page 1

ID:L4ooqZlIIBaFe1TmHvnKrzle?4-RfC?PsB70Hq3NSgPqnL8w3ulTXbGKWrCDoi7J4zJC?f



Scale = 1:56.6

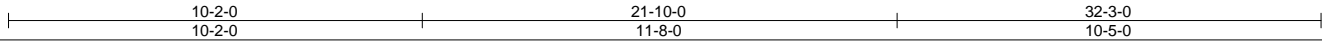
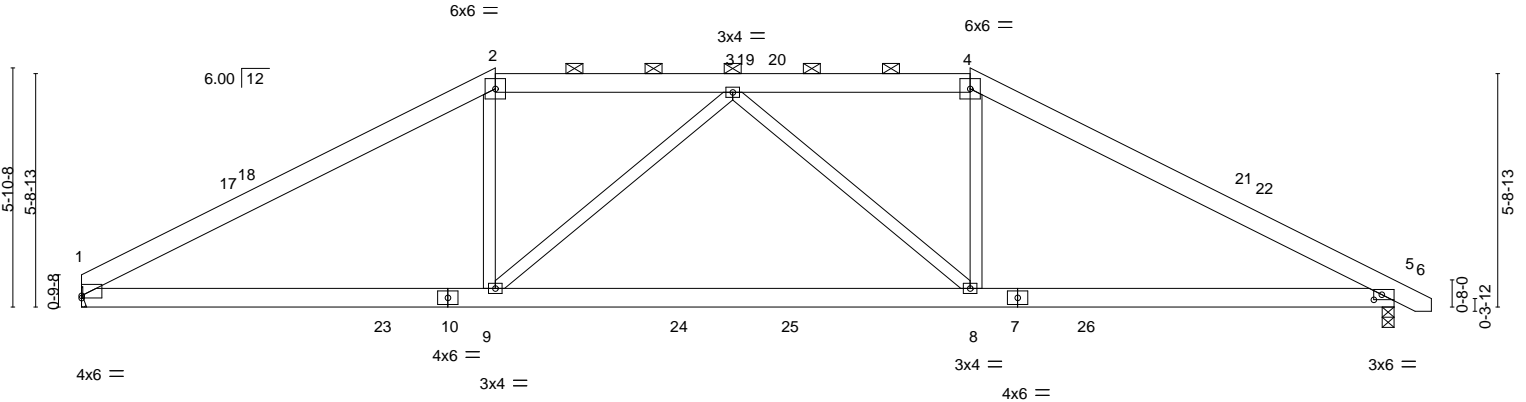


Plate Offsets (X,Y)-- [1:0-0-0,0-0-11], [5:0-2-6,0-1-8]

LOADING (psf)	SPACING-	CSI.	DEFL.	PLATES	GRIP
TCLL 20.0	2-0-0	TC 0.39	in (loc) l/defl L/d	MT20	244/190
TCDL 10.0	Plate Grip DOL 1.15	BC 0.52	Vert(LL) -0.15 8-9 >999 360		
BCLL 0.0 *	Lumber DOL 1.15	WB 0.45	Vert(CT) -0.28 8-9 >999 240		
BCDL 10.0	Rep Stress Incr YES	Matrix-AS	Horz(CT) 0.05 5 n/a n/a		
	Code IRC2015/TPI2014		Wind(LL) 0.09 8-16 >999 240	Weight: 197 lb	FT = 25%

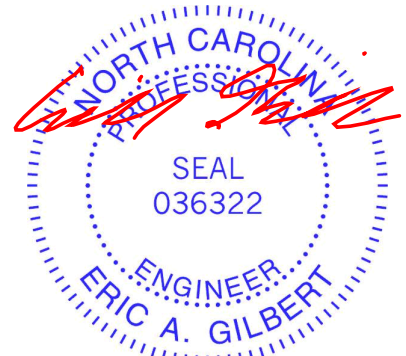
LUMBER-
 TOP CHORD 2x6 SP No.1
 BOT CHORD 2x6 SP No.1
 WEBS 2x4 SP No.2

BRACING-
 TOP CHORD Structural wood sheathing directly applied, except
 2-0-0 oc purlins (5-6-4 max.): 2-4.
 BOT CHORD Rigid ceiling directly applied.

REACTIONS. (size) 1=Mechanical, 5=0-3-8
 Max Horz 1=-99(LC 8)
 Max Uplift 1=-185(LC 12), 5=-204(LC 13)
 Max Grav 1=1311(LC 2), 5=1345(LC 2)

FORCES. (lb) - Max. Comp./Max. Ten. - All forces 250 (lb) or less except when shown.
 TOP CHORD 1-2=-2239/910, 2-3=-1890/950, 3-4=-1928/973, 4-5=-2273/932
 BOT CHORD 1-9=-624/1904, 8-9=-728/2056, 5-8=-646/1942
 WEBS 2-9=-10/612, 3-9=-410/214, 3-8=-369/211, 4-8=-10/606

- NOTES-**
- Unbalanced roof live loads have been considered for this design.
 - Wind: ASCE 7-10; Vult=150mph Vasd=119mph; TCDL=6.0psf; BCDL=6.0psf; h=15ft; Cat. II; Exp C; Enclosed; MWFRS (envelope) and C-C Exterior(2) 0-0-0 to 4-4-13, Interior(1) 4-4-13 to 10-2-0, Exterior(2) 10-2-0 to 16-4-11, Interior(1) 16-4-11 to 21-10-0, Exterior(2) 21-10-0 to 28-0-11, Interior(1) 28-0-11 to 32-11-10 zone; C-C for members and forces & MWFRS for reactions shown; Lumber DOL=1.60 plate grip DOL=1.60
 - Provide adequate drainage to prevent water ponding.
 - This truss has been designed for a 10.0 psf bottom chord live load nonconcurrent with any other live loads.
 - * This truss has been designed for a live load of 30.0psf on the bottom chord in all areas where a rectangle 3-6-0 tall by 2-0-0 wide will fit between the bottom chord and any other members, with BCDL = 10.0psf.
 - Refer to girder(s) for truss to truss connections.
 - Provide mechanical connection (by others) of truss to bearing plate capable of withstanding 185 lb uplift at joint 1 and 204 lb uplift at joint 5.
 - This truss design requires that a minimum of 7/16" structural wood sheathing be applied directly to the top chord and 1/2" gypsum sheetrock be applied directly to the bottom chord.
 - Graphical purlin representation does not depict the size or the orientation of the purlin along the top and/or bottom chord.



May 9, 2024

WARNING - Verify design parameters and READ NOTES ON THIS AND INCLUDED MITEK REFERENCE PAGE MII-7473 rev. 1/2/2023 BEFORE USE.
 Design valid for use only with MiTek® connectors. This design is based only upon parameters shown, and is for an individual building component, not a truss system. Before use, the building designer must verify the applicability of design parameters and properly incorporate this design into the overall building design. Bracing indicated is to prevent buckling of individual truss web and/or chord members only. Additional temporary and permanent bracing is always required for stability and to prevent collapse with possible personal injury and property damage. For general guidance regarding the fabrication, storage, delivery, erection and bracing of trusses and truss systems, see **ANSI/TP1 Quality Criteria and DSB-22** available from Truss Plate Institute (www.tpinst.org) and **BCSI Building Component Safety Information** available from the Structural Building Component Association (www.sbcacomponents.com)



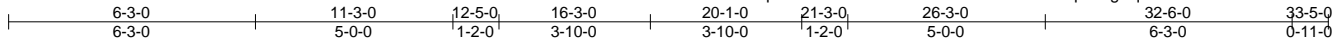
818 Soundside Road
 Edenton, NC 27932

Job J0524-2671	Truss A5	Truss Type HIP	Qty 2	Ply 1	Lot 8 Overhill's Creek Job Reference (optional)	165449355
-------------------	-------------	-------------------	----------	----------	--	-----------

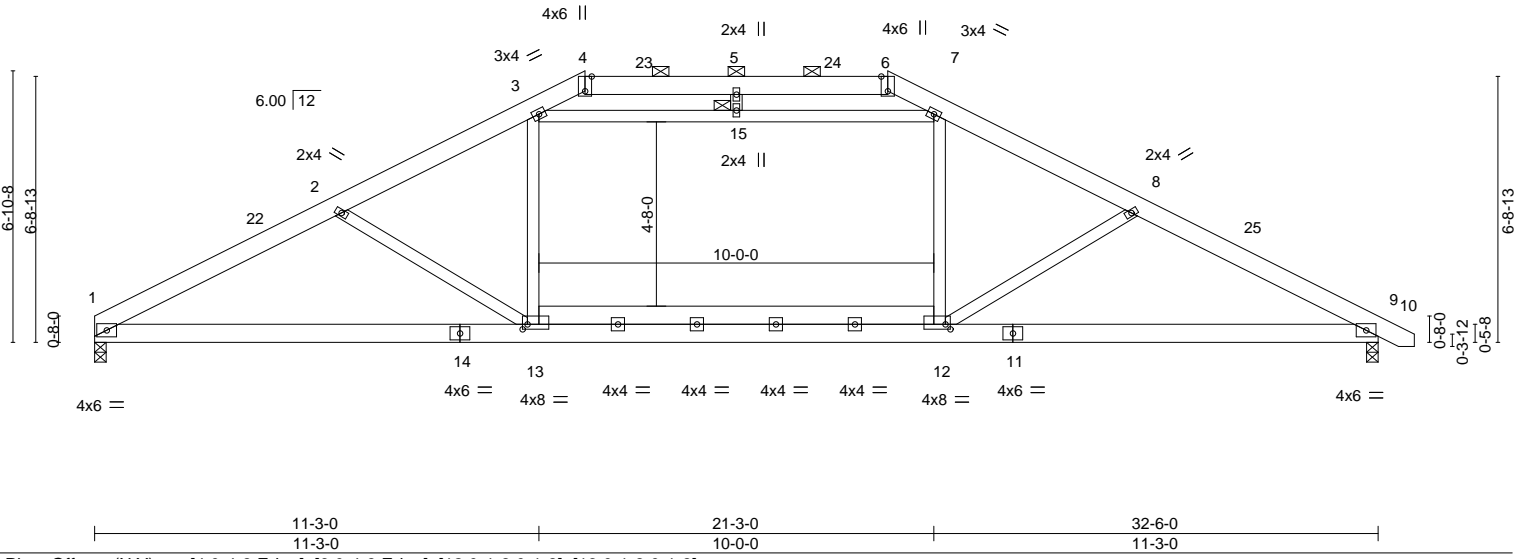
Comtech, Inc. Fayetteville, NC - 28314,

8.430 s Jan 6 2022 MiTek Industries, Inc. Wed May 8 13:30:47 2024 Page 1

ID:L4ooqZl2llBaFe1TmHvnKrzle?4-RfC?PsB70Hq3NSgPqnL8w3ulTXbGKWrcDoi7J4zJC?f



Scale = 1:58.3



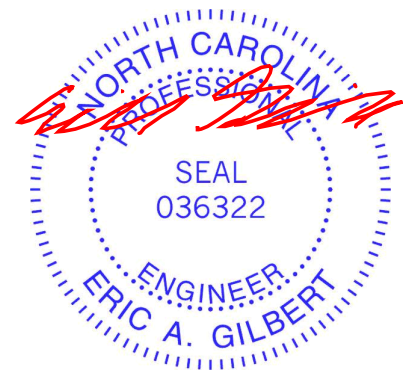
LOADING (psf)	SPACING-	2-0-0	CSI.	DEFL.	in (loc)	l/defl	L/d	PLATES	GRIP
TCLL 20.0	Plate Grip DOL	1.15	TC 0.33	Vert(LL)	-0.22 13-18	>999	360	MT20	244/190
TCDL 10.0	Lumber DOL	1.15	BC 0.50	Vert(CT)	-0.29 13-18	>999	240		
BCLL 0.0 *	Rep Stress Incr	YES	WB 0.27	Horz(CT)	0.05 9	n/a	n/a		
BCDL 10.0	Code IRC2015/TP12014		Matrix-AS	Wind(LL)	0.14 13-18	>999	240	Weight: 233 lb	FT = 25%

LUMBER-	BRACING-
TOP CHORD 2x6 SP No.1	TOP CHORD Structural wood sheathing directly applied, except
BOT CHORD 2x6 SP No.1	2-0-0 oc purlins (6-0-0 max.): 4-6.
WEBS 2x4 SP No.2	BOT CHORD Rigid ceiling directly applied.
	JOINTS 1 Brace at Jt(s): 15

REACTIONS. (size) 1=0-3-8, 9=0-3-8
 Max Horz 1=-114(LC 10)
 Max Uplift 1=-206(LC 12), 9=-222(LC 13)
 Max Grav 1=1369(LC 2), 9=1405(LC 2)

FORCES. (lb) - Max. Comp./Max. Ten. - All forces 250 (lb) or less except when shown.
 TOP CHORD 1-2=-2500/1063, 2-3=-2234/936, 3-4=-1132/755, 4-5=-1096/729, 5-6=-1096/729,
 6-7=-1132/752, 7-8=-2234/925, 8-9=-2497/1068
 BOT CHORD 1-13=-843/2177, 12-13=-544/1942, 9-12=-846/2174
 WEBS 2-13=-462/361, 8-12=-459/356, 7-12=-38/608, 3-13=-50/609, 3-15=-908/190,
 7-15=-908/190

- NOTES-**
- 1) Unbalanced roof live loads have been considered for this design.
 - 2) Wind: ASCE 7-10; Vult=150mph Vasd=119mph; TC DL=6.0psf; BC DL=6.0psf; h=15ft; Cat. II; Exp C; Enclosed; MWFRS (envelope) and C-C Exterior(2) 0-0-0 to 4-4-13, Interior(1) 4-4-13 to 12-5-0, Exterior(2) 12-5-0 to 18-7-11, Interior(1) 18-7-11 to 20-1-0, Exterior(2) 20-1-0 to 26-5-13, Interior(1) 26-5-13 to 33-2-10 zone; C-C for members and forces & MWFRS for reactions shown; Lumber DOL=1.60 plate grip DOL=1.60
 - 3) Provide adequate drainage to prevent water ponding.
 - 4) This truss has been designed for a 10.0 psf bottom chord live load nonconcurrent with any other live loads.
 - 5) * This truss has been designed for a live load of 30.0psf on the bottom chord in all areas where a rectangle 3-6-0 tall by 2-0-0 wide will fit between the bottom chord and any other members, with BCDL = 10.0psf.
 - 6) Provide mechanical connection (by others) of truss to bearing plate capable of withstanding 206 lb uplift at joint 1 and 222 lb uplift at joint 9.
 - 7) This truss design requires that a minimum of 7/16" structural wood sheathing be applied directly to the top chord and 1/2" gypsum sheetrock be applied directly to the bottom chord.
 - 8) Graphical purlin representation does not depict the size or the orientation of the purlin along the top and/or bottom chord.



May 9, 2024

<p>WARNING - Verify design parameters and READ NOTES ON THIS AND INCLUDED MITEK REFERENCE PAGE MII-7473 rev. 1/2/2023 BEFORE USE.</p> <p>Design valid for use only with MiTek® connectors. This design is based only upon parameters shown, and is for an individual building component, not a truss system. Before use, the building designer must verify the applicability of design parameters and properly incorporate this design into the overall building design. Bracing indicated is to prevent buckling of individual truss web and/or chord members only. Additional temporary and permanent bracing is always required for stability and to prevent collapse with possible personal injury and property damage. For general guidance regarding the fabrication, storage, delivery, erection and bracing of trusses and truss systems, see ANSI/TP1 Quality Criteria and DSB-22 available from Truss Plate Institute (www.tpinst.org) and BCSI Building Component Safety Information available from the Structural Building Component Association (www.sbcacomponents.com)</p>	<p>818 Soundside Road Edenton, NC 27932</p>
--	---

Job J0524-2671	Truss A7	Truss Type COMMON	Qty 2	Ply 1	Lot 8 Overhill's Creek Job Reference (optional)	165449357
-------------------	-------------	----------------------	----------	----------	--	-----------

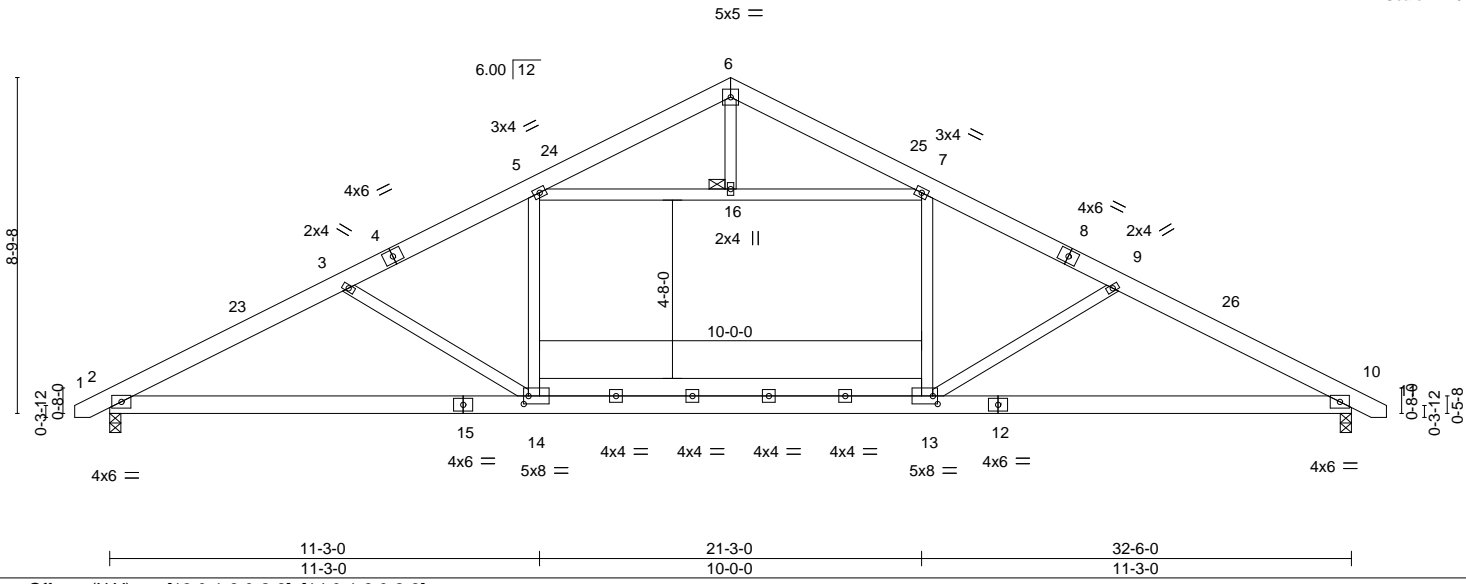
Comtech, Inc. Fayetteville, NC - 28314,

8.430 s Jan 6 2022 MiTek Industries, Inc. Wed May 8 13:30:48 2024 Page 1

ID:L4ooqZlIIBaFe1TmHvnKrzle?4-RfC?PsB70Hq3NSgPqnL8w3ulTXbGKWrCDoi7J4zJC?f

0-11-0	6-3-0	11-3-0	16-3-0	21-3-0	26-3-0	32-6-0	33-5-0
0-11-0	6-3-0	5-0-0	5-0-0	5-0-0	5-0-0	6-3-0	0-11-0

Scale = 1:60.3



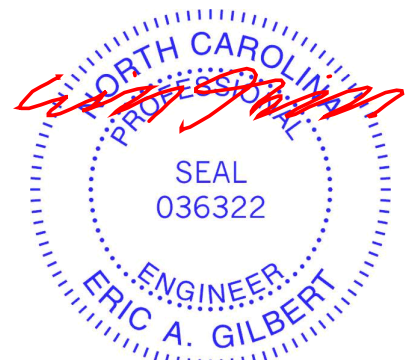
LOADING (psf)	SPACING-	CSI.	DEFL.	PLATES	GRIP
TCLL 20.0	2-0-0	TC 0.21	in (loc) l/defl L/d	MT20	244/190
TCDL 10.0	Plate Grip DOL 1.15	BC 0.51	Vert(LL) -0.24 13-22 >999 360		
BCLL 0.0 *	Lumber DOL 1.15	WB 0.67	Vert(CT) -0.32 13-22 >999 240		
BCDL 10.0	Rep Stress Incr YES	Matrix-AS	Horz(CT) 0.05 10 n/a n/a		
	Code IRC2015/TPI2014		Wind(LL) 0.16 14-19 >999 240	Weight: 240 lb	FT = 25%

LUMBER-	BRACING-
TOP CHORD 2x6 SP No.1	TOP CHORD Structural wood sheathing directly applied.
BOT CHORD 2x6 SP No.1	BOT CHORD Rigid ceiling directly applied.
WEBS 2x4 SP No.2	JOINTS 1 Brace at Jt(s): 16

REACTIONS. (size) 2=0-3-8, 10=0-3-8
 Max Horz 2=147(LC 11)
 Max Uplift 2=-250(LC 12), 10=-250(LC 13)
 Max Grav 2=1405(LC 2), 10=1405(LC 2)

FORCES. (lb) - Max. Comp./Max. Ten. - All forces 250 (lb) or less except when shown.
 TOP CHORD 2-3=-2490/915, 3-5=-2240/805, 5-6=-554/352, 6-7=-554/352, 7-9=-2240/805, 9-10=-2490/915
 BOT CHORD 2-14=-668/2228, 13-14=-444/1956, 10-13=-658/2167
 WEBS 7-13=-28/588, 5-14=-28/588, 5-16=-1540/536, 7-16=-1540/536, 9-13=-473/285, 3-14=-473/284

- NOTES-**
- 1) Unbalanced roof live loads have been considered for this design.
 - 2) Wind: ASCE 7-10; Vult=150mph Vasd=119mph; TC DL=6.0psf; BC DL=6.0psf; h=15ft; Cat. II; Exp C; Enclosed; MWFRS (envelope) and C-C Exterior(2) -0-8-10 to 3-8-3, Interior(1) 3-8-3 to 16-3-0, Exterior(2) 16-3-0 to 20-7-13, Interior(1) 20-7-13 to 33-2-10 zone; C-C for members and forces & MWFRS for reactions shown; Lumber DOL=1.60 plate grip DOL=1.60
 - 3) This truss has been designed for a 10.0 psf bottom chord live load nonconcurrent with any other live loads.
 - 4) * This truss has been designed for a live load of 30.0psf on the bottom chord in all areas where a rectangle 3-6-0 tall by 2-0-0 wide will fit between the bottom chord and any other members, with BCDL = 10.0psf.
 - 5) Provide mechanical connection (by others) of truss to bearing plate capable of withstanding 250 lb uplift at joint 2 and 250 lb uplift at joint 10.
 - 6) This truss design requires that a minimum of 7/16" structural wood sheathing be applied directly to the top chord and 1/2" gypsum sheetrock be applied directly to the bottom chord.
 - 7) See Standard Industry Piggyback Truss Connection Detail for Connection to base truss as applicable, or consult qualified building designer.



May 9, 2024

<p>WARNING - Verify design parameters and READ NOTES ON THIS AND INCLUDED MITEK REFERENCE PAGE MII-7473 rev. 1/2/2023 BEFORE USE.</p> <p>Design valid for use only with MiTek® connectors. This design is based only upon parameters shown, and is for an individual building component, not a truss system. Before use, the building designer must verify the applicability of design parameters and properly incorporate this design into the overall building design. Bracing indicated is to prevent buckling of individual truss web and/or chord members only. Additional temporary and permanent bracing is always required for stability and to prevent collapse with possible personal injury and property damage. For general guidance regarding the fabrication, storage, delivery, erection and bracing of trusses and truss systems, see ANSI/TP1 Quality Criteria and DSB-22 available from Truss Plate Institute (www.tpinst.org) and BCSI Building Component Safety Information available from the Structural Building Component Association (www.sbcacomponents.com)</p>	<p>ENGINEERING BY</p> <p>TRENCO</p> <p>A MiTek Affiliate</p> <p>818 Soundside Road Edenton, NC 27932</p>
--	---

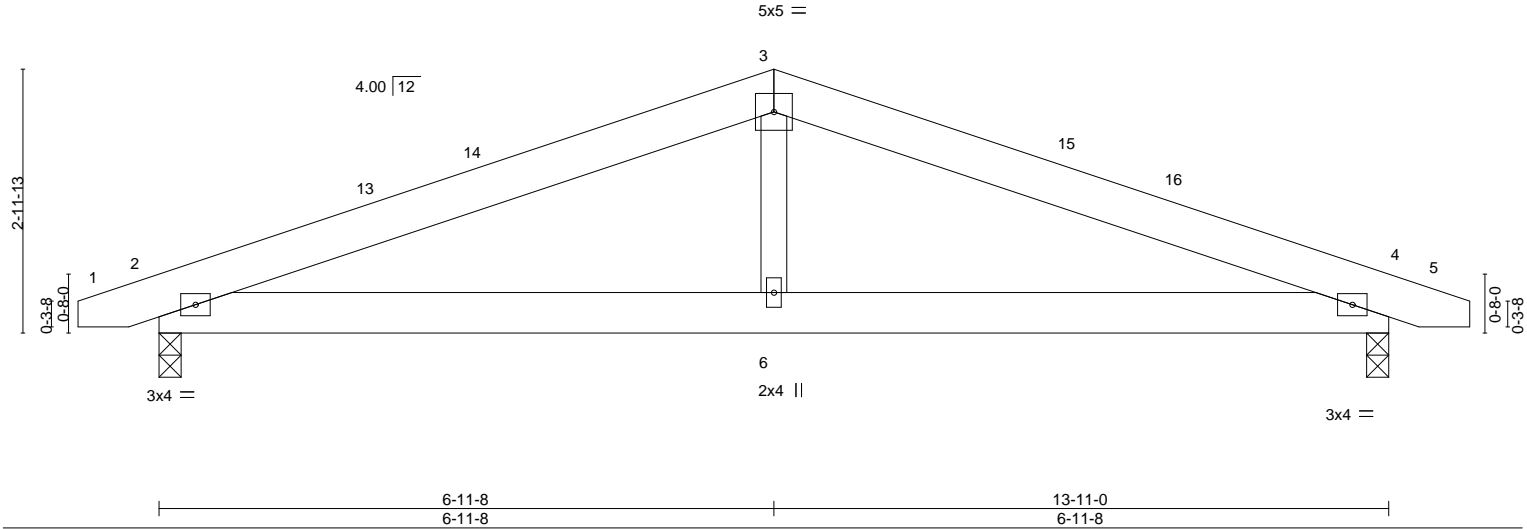
Job J0524-2671	Truss B1	Truss Type COMMON	Qty 1	Ply 1	Lot 8 Overhill's Creek Job Reference (optional)	I65449358
-------------------	-------------	----------------------	----------	----------	--	-----------

Comtech, Inc. Fayetteville, NC - 28314,

8.430 s Jan 6 2022 MiTek Industries, Inc. Wed May 8 13:30:49 2024 Page 1
ID:L4ooqZl2lIBaFe1TmHvnKrzle?4-RfC?PsB70Hq3NSgPqnL8w3ulTXbGKWrCDoi7J4zJC?f



Scale = 1:26.1



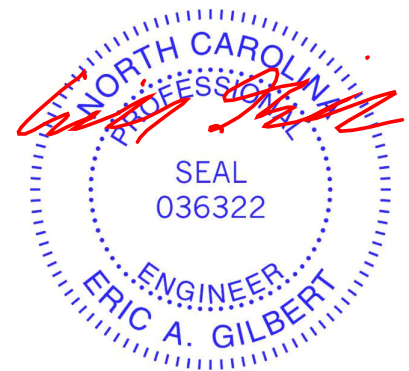
LOADING (psf)	SPACING-	2-0-0	CSI.	DEFL.	in (loc)	l/defl	L/d	PLATES	GRIP
TCLL 20.0	Plate Grip DOL	1.15	TC 0.22	Vert(LL)	0.05 6-12	>999	240	MT20	244/190
TCDL 10.0	Lumber DOL	1.15	BC 0.17	Vert(CT)	-0.04 6-9	>999	240		
BCLL 0.0 *	Rep Stress Incr	YES	WB 0.07	Horz(CT)	-0.01 4	n/a	n/a		
BCDL 10.0	Code IRC2015/TPI2014		Matrix-AS					Weight: 75 lb	FT = 25%

LUMBER-	BRACING-
TOP CHORD 2x6 SP No.1	TOP CHORD Structural wood sheathing directly applied.
BOT CHORD 2x6 SP No.1	BOT CHORD Rigid ceiling directly applied.
WEBS 2x4 SP No.2	

REACTIONS. (size) 2=0-3-0, 4=0-3-0
 Max Horz 2=40(LC 12)
 Max Uplift 2=-353(LC 8), 4=-353(LC 9)
 Max Grav 2=594(LC 1), 4=594(LC 1)

FORCES. (lb) - Max. Comp./Max. Ten. - All forces 250 (lb) or less except when shown.
 TOP CHORD 2-3=-976/1448, 3-4=-976/1448
 BOT CHORD 2-6=-1271/876, 4-6=-1271/876
 WEBS 3-6=-523/289

- NOTES-**
- 1) Unbalanced roof live loads have been considered for this design.
 - 2) Wind: ASCE 7-10; Vult=150mph Vasd=119mph; TCCL=6.0psf; BCDL=6.0psf; h=15ft; Cat. II; Exp C; Enclosed; MWFRS (envelope) and C-C Exterior(2) -0-7-9 to 3-9-4, Interior(1) 3-9-4 to 6-11-8, Exterior(2) 6-11-8 to 11-4-5, Interior(1) 11-4-5 to 14-6-9 zone; porch left and right exposed; C-C for members and forces & MWFRS for reactions shown; Lumber DOL=1.60 plate grip DOL=1.60
 - 3) This truss has been designed for a 10.0 psf bottom chord live load nonconcurrent with any other live loads.
 - 4) * This truss has been designed for a live load of 30.0psf on the bottom chord in all areas where a rectangle 3-6-0 tall by 2-0-0 wide will fit between the bottom chord and any other members.
 - 5) Provide mechanical connection (by others) of truss to bearing plate capable of withstanding 353 lb uplift at joint 2 and 353 lb uplift at joint 4.
 - 6) This truss design requires that a minimum of 7/16" structural wood sheathing be applied directly to the top chord and 1/2" gypsum sheetrock be applied directly to the bottom chord.

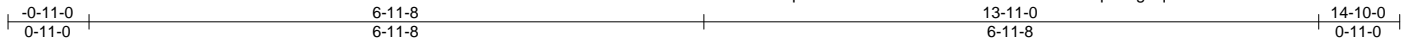


Job J0524-2671	Truss B1GE	Truss Type COMMON SUPPORTED GAB	Qty 1	Ply 1	Lot 8 Overhill's Creek Job Reference (optional)	I65449359
-------------------	---------------	------------------------------------	----------	----------	--	-----------

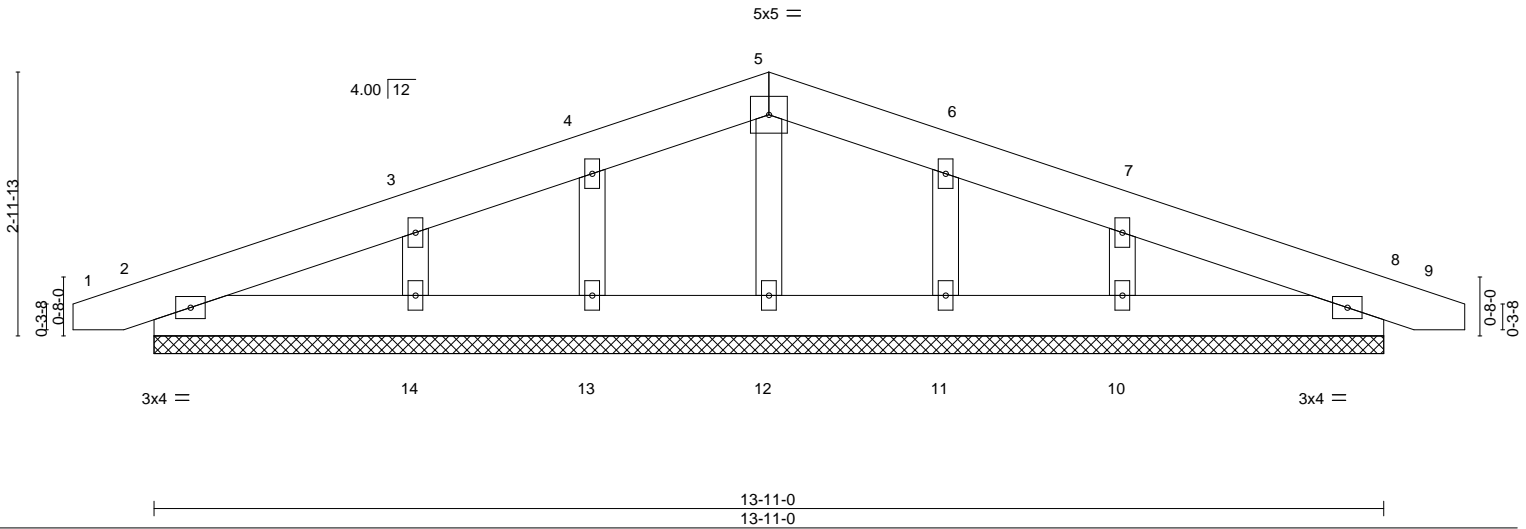
Comtech, Inc. Fayetteville, NC - 28314,

8.430 s Jan 6 2022 MiTek Industries, Inc. Wed May 8 13:30:49 2024 Page 1

ID:L4ooqZl2lIBaFe1TmHvnKrzle?4-RfC?PsB70Hq3NSgPqnL8w3ulTXbGKWrCDoi7J4zJC?f



Scale = 1:26.1



LOADING (psf)	SPACING-	2-0-0	CSI.	DEFL.	in (loc)	l/defl	L/d	PLATES	GRIP
TCLL 20.0	Plate Grip DOL	1.15	TC 0.03	Vert(LL)	0.00	8	n/r	MT20	244/190
TCDL 10.0	Lumber DOL	1.15	BC 0.02	Vert(CT)	0.00	8	n/r		
BCLL 0.0 *	Rep Stress Incr	YES	WB 0.03	Horz(CT)	0.00	8	n/a		
BCDL 10.0	Code IRC2015/TPI2014		Matrix-S					Weight: 81 lb	FT = 25%

LUMBER-
 TOP CHORD 2x6 SP No.1
 BOT CHORD 2x6 SP No.1
 OTHERS 2x4 SP No.2

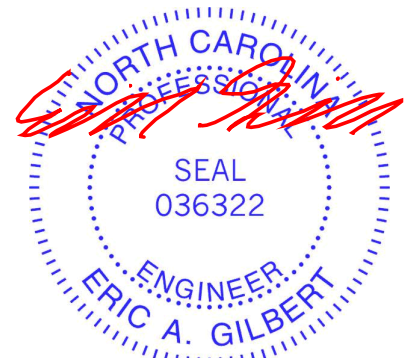
BRACING-
 TOP CHORD Structural wood sheathing directly applied or 6-0-0 oc purlins.
 BOT CHORD Rigid ceiling directly applied or 10-0-0 oc bracing.

REACTIONS. All bearings 13-11-0.
 (lb) - Max Horz 2=68(LC 12)
 Max Uplift All uplift 100 lb or less at joint(s) 2, 8, 12, 13, 11 except 14=138(LC 12), 10=137(LC 13)
 Max Grav All reactions 250 lb or less at joint(s) 2, 8, 12, 13, 14, 11, 10

FORCES. (lb) - Max. Comp./Max. Ten. - All forces 250 (lb) or less except when shown.

NOTES-

- 1) Unbalanced roof live loads have been considered for this design.
- 2) Wind: ASCE 7-10; Vult=150mph Vasd=119mph; TC DL=6.0psf; BCDL=6.0psf; h=15ft; Cat. II; Exp C; Enclosed; MWFRS (envelope) gable end zone and C-C Exterior(2) zone; porch left and right exposed; C-C for members and forces & MWFRS for reactions shown; Lumber DOL=1.60 plate grip DOL=1.60
- 3) Truss designed for wind loads in the plane of the truss only. For studs exposed to wind (normal to the face), see Standard Industry Gable End Details as applicable, or consult qualified building designer as per ANSI/TPI 1.
- 4) All plates are 2x4 MT20 unless otherwise indicated.
- 5) Gable requires continuous bottom chord bearing.
- 6) Gable studs spaced at 2-0-0 oc.
- 7) This truss has been designed for a 10.0 psf bottom chord live load nonconcurrent with any other live loads.
- 8) * This truss has been designed for a live load of 30.0psf on the bottom chord in all areas where a rectangle 3-6-0 tall by 2-0-0 wide will fit between the bottom chord and any other members.
- 9) Provide mechanical connection (by others) of truss to bearing plate capable of withstanding 100 lb uplift at joint(s) 2, 8, 12, 13, 11 except (jt=lb) 14=138, 10=137.
- 10) Beveled plate or shim required to provide full bearing surface with truss chord at joint(s) 8.



May 9, 2024

WARNING - Verify design parameters and READ NOTES ON THIS AND INCLUDED MITEK REFERENCE PAGE MII-7473 rev. 1/2/2023 BEFORE USE.

Design valid for use only with MiTek® connectors. This design is based only upon parameters shown, and is for an individual building component, not a truss system. Before use, the building designer must verify the applicability of design parameters and properly incorporate this design into the overall building design. Bracing indicated is to prevent buckling of individual truss web and/or chord members only. Additional temporary and permanent bracing is always required for stability and to prevent collapse with possible personal injury and property damage. For general guidance regarding the fabrication, storage, delivery, erection and bracing of trusses and truss systems, see **ANSI/TP1 Quality Criteria and DSB-22** available from Truss Plate Institute (www.tpinst.org) and **BCSI Building Component Safety Information** available from the Structural Building Component Association (www.sbcacomponents.com)

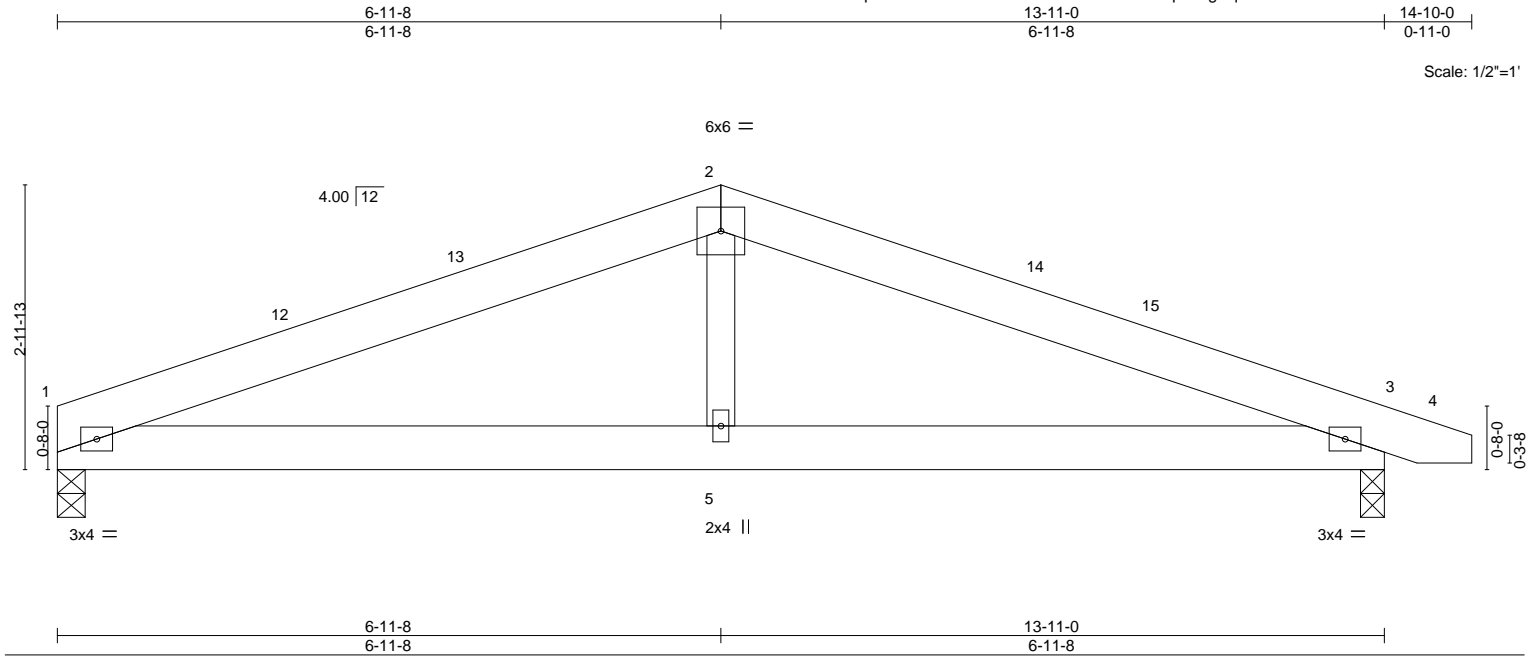


818 Soundside Road
 Edenton, NC 27932

Job J0524-2671	Truss B2	Truss Type COMMON	Qty 2	Ply 1	Lot 8 Overhill's Creek Job Reference (optional)	165449360
-------------------	-------------	----------------------	----------	----------	--	-----------

Comtech, Inc. Fayetteville, NC - 28314,

8.430 s Jan 6 2022 MiTek Industries, Inc. Wed May 8 13:30:50 2024 Page 1
ID:L4ooqZl2llBaFe1TmHvnKrzle?4-RfC?PsB70Hq3NSgPqnL8w3ulTXbGKWrCDoi7J4zJC?f



Scale: 1/2"=1'

LOADING (psf)	SPACING-	2-0-0	CSI.	DEFL.	in (loc)	l/defl	L/d	PLATES	GRIP
TCLL 20.0	Plate Grip DOL	1.15	TC 0.22	Vert(LL)	0.05 5-8	>999	240	MT20	244/190
TCDL 10.0	Lumber DOL	1.15	BC 0.17	Vert(CT)	-0.04 5-8	>999	240		
BCLL 0.0 *	Rep Stress Incr	YES	WB 0.07	Horz(CT)	-0.01 3	n/a	n/a		
BCDL 10.0	Code IRC2015/TPI2014		Matrix-AS					Weight: 73 lb	FT = 25%

LUMBER-
TOP CHORD 2x6 SP No.1
BOT CHORD 2x6 SP No.1
WEBS 2x4 SP No.2

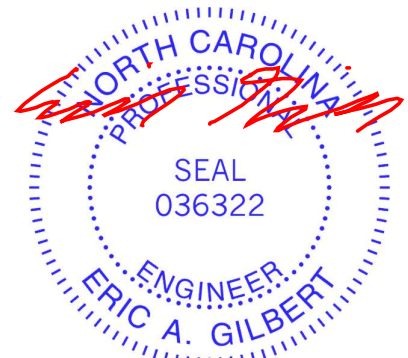
BRACING-
TOP CHORD Structural wood sheathing directly applied.
BOT CHORD Rigid ceiling directly applied.

REACTIONS. (size) 1=0-3-8, 3=0-3-0
Max Horz 1=-44(LC 17)
Max Uplift 1=-320(LC 8), 3=-353(LC 9)
Max Grav 1=556(LC 1), 3=595(LC 1)

FORCES. (lb) - Max. Comp./Max. Ten. - All forces 250 (lb) or less except when shown.
TOP CHORD 1-2=-979/1467, 2-3=-979/1453
BOT CHORD 1-5=-1293/879, 3-5=-1293/879
WEBS 2-5=-527/290

NOTES-

- 1) Unbalanced roof live loads have been considered for this design.
- 2) Wind: ASCE 7-10; Vult=150mph Vasd=119mph; TC DL=6.0psf; BCDL=6.0psf; h=15ft; Cat. II; Exp C; Enclosed; MWFRS (envelope) and C-C Exterior(2) 0-0-0 to 4-4-13, Interior(1) 4-4-13 to 6-11-8, Exterior(2) 6-11-8 to 11-4-5, Interior(1) 11-4-5 to 14-6-9 zone; porch left and right exposed; C-C for members and forces & MWFRS for reactions shown; Lumber DOL=1.60 plate grip DOL=1.60
- 3) This truss has been designed for a 10.0 psf bottom chord live load nonconcurrent with any other live loads.
- 4) * This truss has been designed for a live load of 30.0psf on the bottom chord in all areas where a rectangle 3-6-0 tall by 2-0-0 wide will fit between the bottom chord and any other members.
- 5) Provide mechanical connection (by others) of truss to bearing plate capable of withstanding 100 lb uplift at joint(s) except (jt=lb) 1=320, 3=353.
- 6) This truss design requires that a minimum of 7/16" structural wood sheathing be applied directly to the top chord and 1/2" gypsum sheetrock be applied directly to the bottom chord.



May 9, 2024

WARNING - Verify design parameters and READ NOTES ON THIS AND INCLUDED MITEK REFERENCE PAGE MII-7473 rev. 1/2/2023 BEFORE USE.

Design valid for use only with MiTek® connectors. This design is based only upon parameters shown, and is for an individual building component, not a truss system. Before use, the building designer must verify the applicability of design parameters and properly incorporate this design into the overall building design. Bracing indicated is to prevent buckling of individual truss web and/or chord members only. Additional temporary and permanent bracing is always required for stability and to prevent collapse with possible personal injury and property damage. For general guidance regarding the fabrication, storage, delivery, erection and bracing of trusses and truss systems, see **ANSI/TP1 Quality Criteria and DSB-22** available from Truss Plate Institute (www.tpinst.org) and **BCSI Building Component Safety Information** available from the Structural Building Component Association (www.sbcacomponents.com)

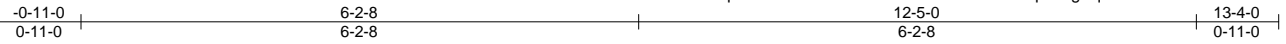


818 Soundside Road
Edenton, NC 27932

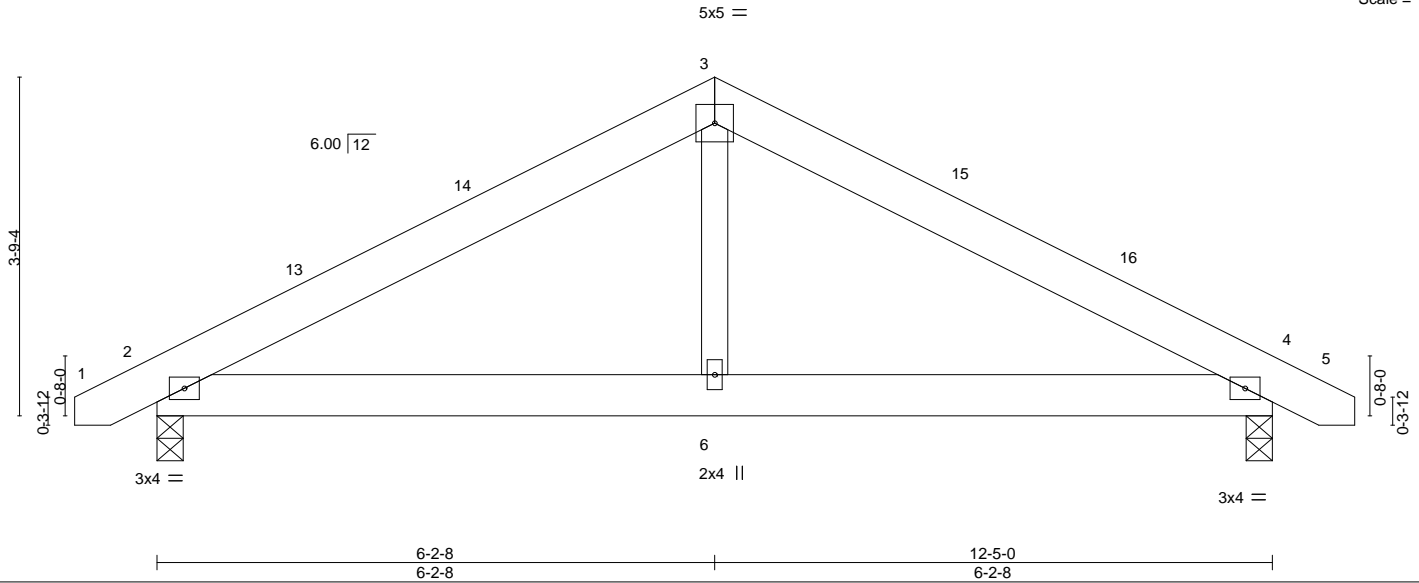
Job J0524-2671	Truss C1	Truss Type COMMON	Qty 3	Ply 1	Lot 8 Overhill's Creek Job Reference (optional)	165449361
-------------------	-------------	----------------------	----------	----------	--	-----------

Comtech, Inc. Fayetteville, NC - 28314,

8.430 s Jan 6 2022 MiTek Industries, Inc. Wed May 8 13:30:50 2024 Page 1
ID:L4ooqZl2lIBaFe1TmHvnKrzle?4-RfC?PsB70Hq3NSgPqnL8w3ulTXbGKWrcDoi7J4zJC?f



Scale = 1:25.6



LOADING (psf)	SPACING-	2-0-0	CSI.	DEFL.	in (loc)	l/defl	L/d	PLATES	GRIP
TCLL 20.0	Plate Grip DOL	1.15	TC 0.12	Vert(LL)	-0.01 6-9	>999	360	MT20	244/190
TCDL 10.0	Lumber DOL	1.15	BC 0.13	Vert(CT)	-0.02 6-9	>999	240		
BCLL 0.0 *	Rep Stress Incr	YES	WB 0.06	Horz(CT)	0.00 4	n/a	n/a		
BCDL 10.0	Code IRC2015/TPI2014		Matrix-AS	Wind(LL)	0.01 6-9	>999	240	Weight: 71 lb	FT = 25%

LUMBER-
TOP CHORD 2x6 SP No.1
BOT CHORD 2x6 SP No.1
WEBS 2x4 SP No.2

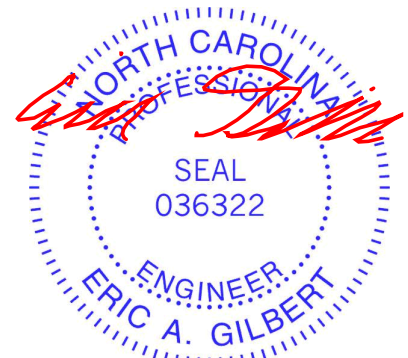
BRACING-
TOP CHORD Structural wood sheathing directly applied.
BOT CHORD Rigid ceiling directly applied.

REACTIONS. (size) 2=0-3-8, 4=0-3-8
Max Horz 2=60(LC 11)
Max Uplift 2=-105(LC 12), 4=-105(LC 13)
Max Grav 2=540(LC 1), 4=540(LC 1)

FORCES. (lb) - Max. Comp./Max. Ten. - All forces 250 (lb) or less except when shown.
TOP CHORD 2-3=-672/382, 3-4=-672/383
BOT CHORD 2-6=-188/541, 4-6=-188/541
WEBS 3-6=0/269

NOTES-

- 1) Unbalanced roof live loads have been considered for this design.
- 2) Wind: ASCE 7-10; Vult=150mph Vasd=119mph; TC DL=6.0psf; BCDL=6.0psf; h=15ft; Cat. II; Exp C; Enclosed; MWFRS (envelope) and C-C Exterior(2) -0-8-10 to 3-8-3, Interior(1) 3-8-3 to 6-2-8, Exterior(2) 6-2-8 to 10-7-5, Interior(1) 10-7-5 to 13-1-10 zone; C-C for members and forces & MWFRS for reactions shown; Lumber DOL=1.60 plate grip DOL=1.60
- 3) This truss has been designed for a 10.0 psf bottom chord live load nonconcurrent with any other live loads.
- 4) * This truss has been designed for a live load of 30.0psf on the bottom chord in all areas where a rectangle 3-6-0 tall by 2-0-0 wide will fit between the bottom chord and any other members.
- 5) Provide mechanical connection (by others) of truss to bearing plate capable of withstanding 100 lb uplift at joint(s) except (jt=lb) 2=105, 4=105.
- 6) This truss design requires that a minimum of 7/16" structural wood sheathing be applied directly to the top chord and 1/2" gypsum sheetrock be applied directly to the bottom chord.
- 7) See Standard Industry Piggyback Truss Connection Detail for Connection to base truss as applicable, or consult qualified building designer.



May 9, 2024

WARNING - Verify design parameters and READ NOTES ON THIS AND INCLUDED MITEK REFERENCE PAGE MII-7473 rev. 1/2/2023 BEFORE USE.

Design valid for use only with MiTek® connectors. This design is based only upon parameters shown, and is for an individual building component, not a truss system. Before use, the building designer must verify the applicability of design parameters and properly incorporate this design into the overall building design. Bracing indicated is to prevent buckling of individual truss web and/or chord members only. Additional temporary and permanent bracing is always required for stability and to prevent collapse with possible personal injury and property damage. For general guidance regarding the fabrication, storage, delivery, erection and bracing of trusses and truss systems, see **ANSI/TPH Quality Criteria and DSB-22** available from Truss Plate Institute (www.tpinst.org) and **BCSI Building Component Safety Information** available from the Structural Building Component Association (www.sbcacomponents.com)



818 Soundside Road
Edenton, NC 27932

Job J0524-2671	Truss C1-GR	Truss Type COMMON GIRDER	Qty 2	Ply 2	Lot 8 Overhill's Creek Job Reference (optional)	165449362
-------------------	----------------	-----------------------------	----------	----------	--	-----------

Comtech, Inc. Fayetteville, NC - 28314,

8.430 s Jan 6 2022 MiTek Industries, Inc. Wed May 8 13:30:52 2024 Page 1
ID:L4ooqZl2lIBaFe1TmHvnKrzle?4-RfC?PsB70Hq3NSgPqnL8w3ulTXbGKWrCDoi7J4zJC?f



5x5 =

Scale = 1:25.0

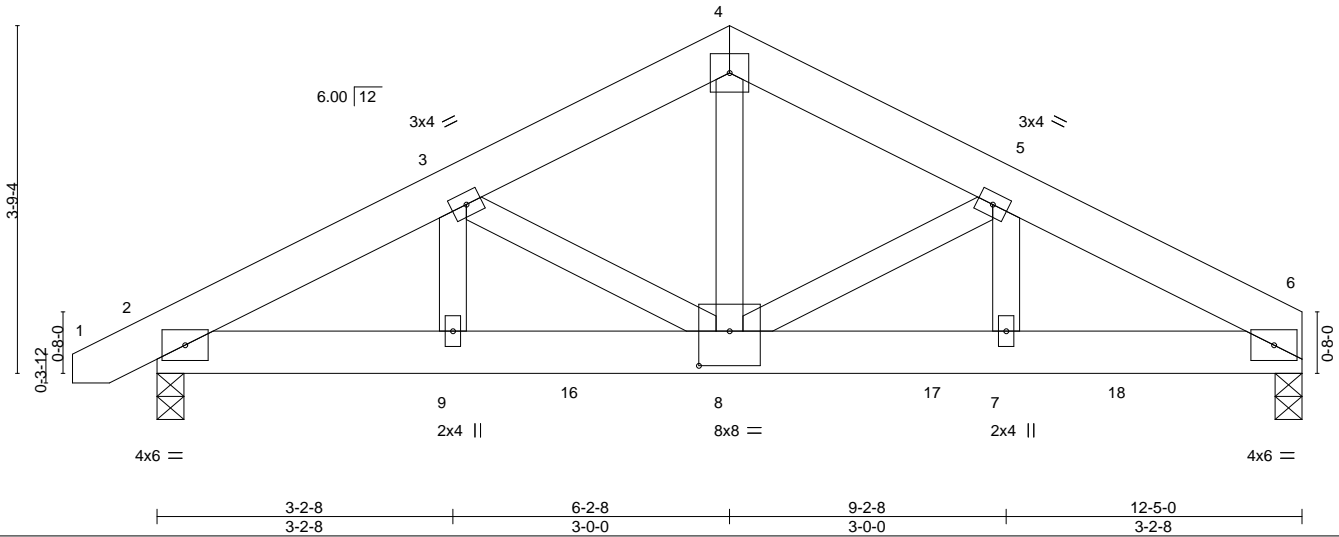


Plate Offsets (X,Y)--	[8:0-4-0,0-4-8]
-----------------------	-----------------

LOADING (psf)	SPACING-	2-0-0	CSI.	DEFL.	in (loc)	l/defl	L/d	PLATES	GRIP
TCLL 20.0	Plate Grip DOL	1.15	TC 0.22	Vert(LL)	-0.04	8-9	>999	MT20	244/190
TCDL 10.0	Lumber DOL	1.15	BC 0.79	Vert(CT)	-0.08	8-9	>999		
BCLL 0.0 *	Rep Stress Incr	NO	WB 0.48	Horz(CT)	0.03	6	n/a		
BCDL 10.0	Code IRC2015/TPI2014		Matrix-MS	Wind(LL)	0.04	8-9	>999		
								Weight: 164 lb	FT = 25%

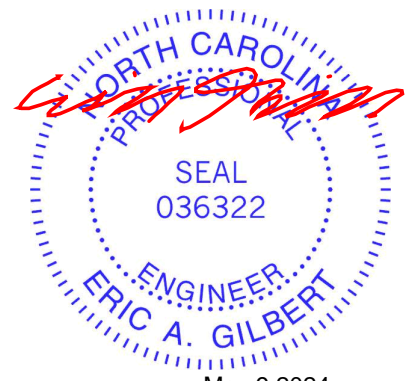
LUMBER-	BRACING-
TOP CHORD 2x6 SP No.1	TOP CHORD Structural wood sheathing directly applied or 6-0-0 oc purlins.
BOT CHORD 2x6 SP No.1	BOT CHORD Rigid ceiling directly applied or 10-0-0 oc bracing.
WEBS 2x4 SP No.2	

REACTIONS. (size) 6=0-3-8, 2=0-3-8
 Max Horz 2=62(LC 8)
 Max Uplift 6=715(LC 9), 2=674(LC 8)
 Max Grav 6=3800(LC 1), 2=3045(LC 1)

FORCES. (lb) - Max. Comp./Max. Ten. - All forces 250 (lb) or less except when shown.
 TOP CHORD 2-3=-5712/1275, 3-4=-4909/1052, 4-5=-4922/1056, 5-6=-6271/1201
 BOT CHORD 2-9=-1117/4953, 8-9=-1117/4953, 7-8=-1020/5520, 6-7=-1020/5520
 WEBS 4-8=-803/3882, 5-8=-1286/212, 5-7=-135/1347, 3-8=-626/268, 3-9=-243/923

- NOTES-**
- 2-ply truss to be connected together with 10d (0.131"x3") nails as follows:
 Top chords connected as follows: 2x6 - 2 rows staggered at 0-9-0 oc.
 Bottom chords connected as follows: 2x6 - 2 rows staggered at 0-5-0 oc.
 Webs connected as follows: 2x4 - 1 row at 0-9-0 oc.
 - All loads are considered equally applied to all plies, except if noted as front (F) or back (B) face in the LOAD CASE(S) section. Ply to ply connections have been provided to distribute only loads noted as (F) or (B), unless otherwise indicated.
 - Unbalanced roof live loads have been considered for this design.
 - Wind: ASCE 7-10; Vult=150mph Vasd=119mph; TC DL=6.0psf; BCDL=6.0psf; h=15ft; Cat. II; Exp C; Enclosed; MWFRS (envelope); Lumber DOL=1.60 plate grip DOL=1.60
 - This truss has been designed for a 10.0 psf bottom chord live load nonconcurrent with any other live loads.
 - * This truss has been designed for a live load of 30.0psf on the bottom chord in all areas where a rectangle 3-6-0 tall by 2-0-0 wide will fit between the bottom chord and any other members.
 - Provide mechanical connection (by others) of truss to bearing plate capable of withstanding 100 lb uplift at joint(s) except (jt=lb) 6=715, 2=674.
 - See Standard Industry Piggyback Truss Connection Detail for Connection to base truss as applicable, or consult qualified building designer.
 - Hanger(s) or other connection device(s) shall be provided sufficient to support concentrated load(s) 2000 lb down and 570 lb up at 4-6-8, 1270 lb down and 243 lb up at 6-5-12, and 1270 lb down and 209 lb up at 8-5-12, and 1291 lb down and 205 lb up at 10-5-12 on bottom chord. The design/selection of such connection device(s) is the responsibility of others.

LOAD CASE(S) Standard
 1) Dead + Roof Live (balanced): Lumber Increase=1.15, Plate Increase=1.15
 Uniform Loads (plf)
 Vert: 1-4=-60, 4-6=-60, 10-13=-20



Continued on page 2

<p>WARNING - Verify design parameters and READ NOTES ON THIS AND INCLUDED MITEK REFERENCE PAGE MII-7473 rev. 1/2/2023 BEFORE USE. Design valid for use only with MiTek® connectors. This design is based only upon parameters shown, and is for an individual building component, not a truss system. Before use, the building designer must verify the applicability of design parameters and properly incorporate this design into the overall building design. Bracing indicated is to prevent buckling of individual truss web and/or chord members only. Additional temporary and permanent bracing is always required for stability and to prevent collapse with possible personal injury and property damage. For general guidance regarding the fabrication, storage, delivery, erection and bracing of trusses and truss systems, see ANSI/TPH Quality Criteria and DSB-22 available from Truss Plate Institute (www.tpinst.org) and BCSI Building Component Safety Information available from the Structural Building Component Association (www.sbcacomponents.com)</p>	<p>ENGINEERING BY TRENCO A MiTek Affiliate</p> <p>818 Soundside Road Edenton, NC 27932</p>
--	---

Job J0524-2671	Truss C1-GR	Truss Type COMMON GIRDER	Qty 2	Ply 2	Lot 8 Overhill's Creek Job Reference (optional)	I65449362
-------------------	----------------	-----------------------------	----------	-----------------	--	-----------

Comtech, Inc. Fayetteville, NC - 28314,

8.430 s Jan 6 2022 MiTek Industries, Inc. Wed May 8 13:30:52 2024 Page 2
ID:L4ooqZl2lIBaFe1TmHvnKrzle?4-RfC?PsB70Hq3NSgPqnL8w3ulTXbGKWrCDoi7J4zJC?f

LOAD CASE(S) Standard

Concentrated Loads (lb)

Vert: 8=-1270(B) 16=-2000(B) 17=-1270(B) 18=-1270(B)

WARNING - Verify design parameters and READ NOTES ON THIS AND INCLUDED MITEK REFERENCE PAGE MII-7473 rev. 1/2/2023 BEFORE USE.

Design valid for use only with MiTek® connectors. This design is based only upon parameters shown, and is for an individual building component, not a truss system. Before use, the building designer must verify the applicability of design parameters and properly incorporate this design into the overall building design. Bracing indicated is to prevent buckling of individual truss web and/or chord members only. Additional temporary and permanent bracing is always required for stability and to prevent collapse with possible personal injury and property damage. For general guidance regarding the fabrication, storage, delivery, erection and bracing of trusses and truss systems, see **ANSI/TP1 Quality Criteria and DSB-22** available from Truss Plate Institute (www.tpinst.org) and **BCSI Building Component Safety Information** available from the Structural Building Component Association (www.sbccomponents.com)



818 Soundside Road
Edenton, NC 27932

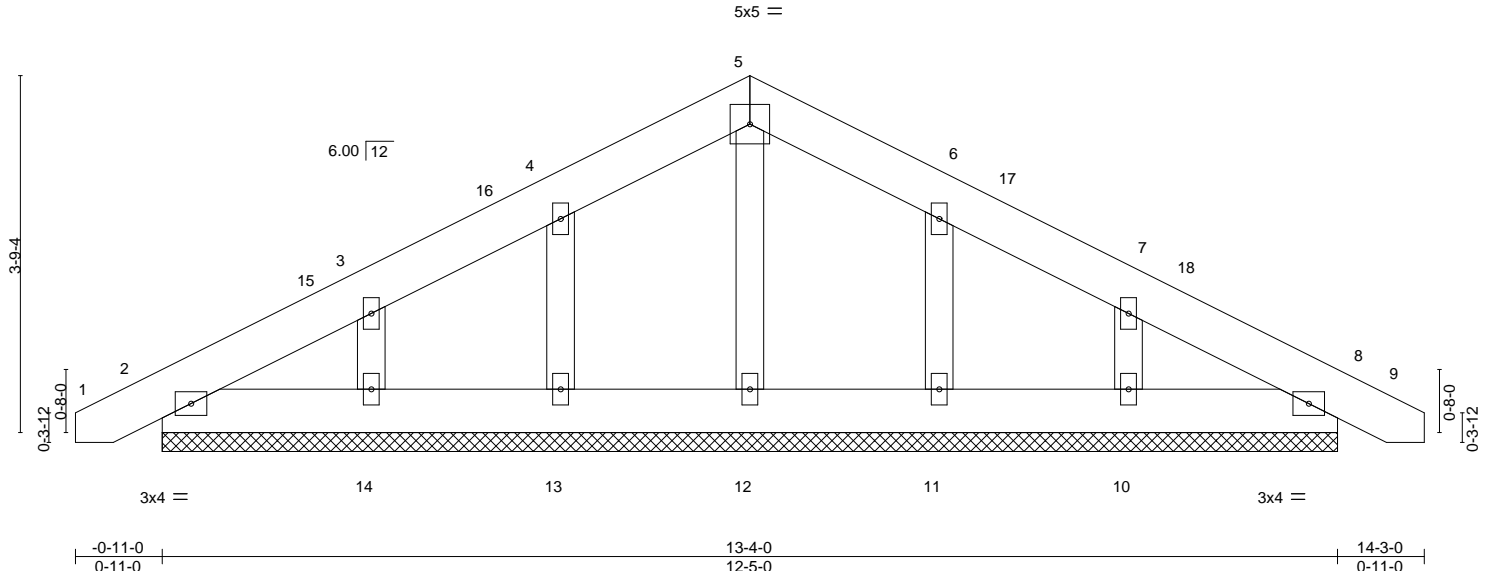
Job J0524-2671	Truss C1GE	Truss Type COMMON SUPPORTED GAB	Qty 2	Ply 1	Lot 8 Overhill's Creek Job Reference (optional)	I65449363
-------------------	---------------	------------------------------------	----------	----------	--	-----------

Comtech, Inc. Fayetteville, NC - 28314,

8.430 s Jan 6 2022 MiTek Industries, Inc. Wed May 8 13:30:51 2024 Page 1
ID:L4ooqZl2lIBaFe1TmHvnKrzle?4-RfC?PsB70Hq3NSgPqnL8w3ulTXbGKWrCDoi7J4zJC?f



Scale = 1:24.3



LOADING (psf)	SPACING-	2-0-0	CSI.	DEFL.	in (loc)	l/defl	L/d	PLATES	GRIP
TCLL 20.0	Plate Grip DOL	1.15	TC 0.04	Vert(LL)	0.00	8	n/r	MT20	244/190
TCDL 10.0	Lumber DOL	1.15	BC 0.02	Vert(CT)	0.00	8	n/r		
BCLL 0.0 *	Rep Stress Incr	YES	WB 0.05	Horz(CT)	0.00	8	n/a		
BCDL 10.0	Code IRC2015/TPI2014		Matrix-S						
								Weight: 79 lb	FT = 25%

LUMBER-	BRACING-
TOP CHORD 2x6 SP No.1	TOP CHORD Structural wood sheathing directly applied or 6-0-0 oc purlins.
BOT CHORD 2x6 SP No.1	BOT CHORD Rigid ceiling directly applied or 10-0-0 oc bracing.
OTHERS 2x4 SP No.2	

REACTIONS. All bearings 12-5-0.
 (lb) - Max Horz 2=60(LC 11)
 Max Uplift All uplift 100 lb or less at joint(s) 2, 8, 13, 14, 11, 10
 Max Grav All reactions 250 lb or less at joint(s) 2, 8, 12, 13, 14, 11, 10

FORCES. (lb) - Max. Comp./Max. Ten. - All forces 250 (lb) or less except when shown.
WEBS 4-13=124/269, 3-14=130/302, 6-11=124/269, 7-10=130/302

- NOTES-**
- Unbalanced roof live loads have been considered for this design.
 - Wind: ASCE 7-10; Vult=150mph Vasd=119mph; TCDL=6.0psf; BCDL=6.0psf; h=15ft; Cat. II; Exp C; Enclosed; MWFRS (envelope) and C-C Corner(3) -0-8-10 to 3-8-3, Exterior(2) 3-8-3 to 6-2-8, Corner(3) 6-2-8 to 10-7-5, Exterior(2) 10-7-5 to 13-1-10 zone;C-C for members and forces & MWFRS for reactions shown; Lumber DOL=1.60 plate grip DOL=1.60
 - Truss designed for wind loads in the plane of the truss only. For studs exposed to wind (normal to the face), see Standard Industry Gable End Details as applicable, or consult qualified building designer as per ANSI/TPI 1.
 - All plates are 2x4 MT20 unless otherwise indicated.
 - Gable requires continuous bottom chord bearing.
 - Gable studs spaced at 2-0-0 oc.
 - This truss has been designed for a 10.0 psf bottom chord live load nonconcurrent with any other live loads.
 - * This truss has been designed for a live load of 30.0psf on the bottom chord in all areas where a rectangle 3-6-0 tall by 2-0-0 wide will fit between the bottom chord and any other members.
 - Provide mechanical connection (by others) of truss to bearing plate capable of withstanding 100 lb uplift at joint(s) 2, 8, 13, 14, 11, 10.
 - See Standard Industry Piggyback Truss Connection Detail for Connection to base truss as applicable, or consult qualified building designer.



May 9, 2024

<p>WARNING - Verify design parameters and READ NOTES ON THIS AND INCLUDED MITEK REFERENCE PAGE MII-7473 rev. 1/2/2023 BEFORE USE.</p> <p>Design valid for use only with MiTek® connectors. This design is based only upon parameters shown, and is for an individual building component, not a truss system. Before use, the building designer must verify the applicability of design parameters and properly incorporate this design into the overall building design. Bracing indicated is to prevent buckling of individual truss web and/or chord members only. Additional temporary and permanent bracing is always required for stability and to prevent collapse with possible personal injury and property damage. For general guidance regarding the fabrication, storage, delivery, erection and bracing of trusses and truss systems, see ANSI/TP1 Quality Criteria and DSB-22 available from Truss Plate Institute (www.tpinst.org) and BCSI Building Component Safety Information available from the Structural Building Component Association (www.sbcacomponents.com)</p>	<p>ENGINEERING BY</p> <p>TRENCO</p> <p>A MiTek Affiliate</p> <p>818 Soundside Road Edenton, NC 27932</p>
--	---

Job J0524-2671	Truss LG1	Truss Type GABLE	Qty 2	Ply 1	Lot 8 Overhill's Creek Job Reference (optional)	165449364
-------------------	--------------	---------------------	----------	----------	--	-----------

Comtech, Inc. Fayetteville, NC - 28314,

8.430 s Jan 6 2022 MiTek Industries, Inc. Wed May 8 13:30:52 2024 Page 1

ID:L4ooqZl2lBaFe1TmHvnKrzle?4-RfC?PsB70Hq3NSgPqnL8w3ulTXbGKWrCDoi7J4zJC?f

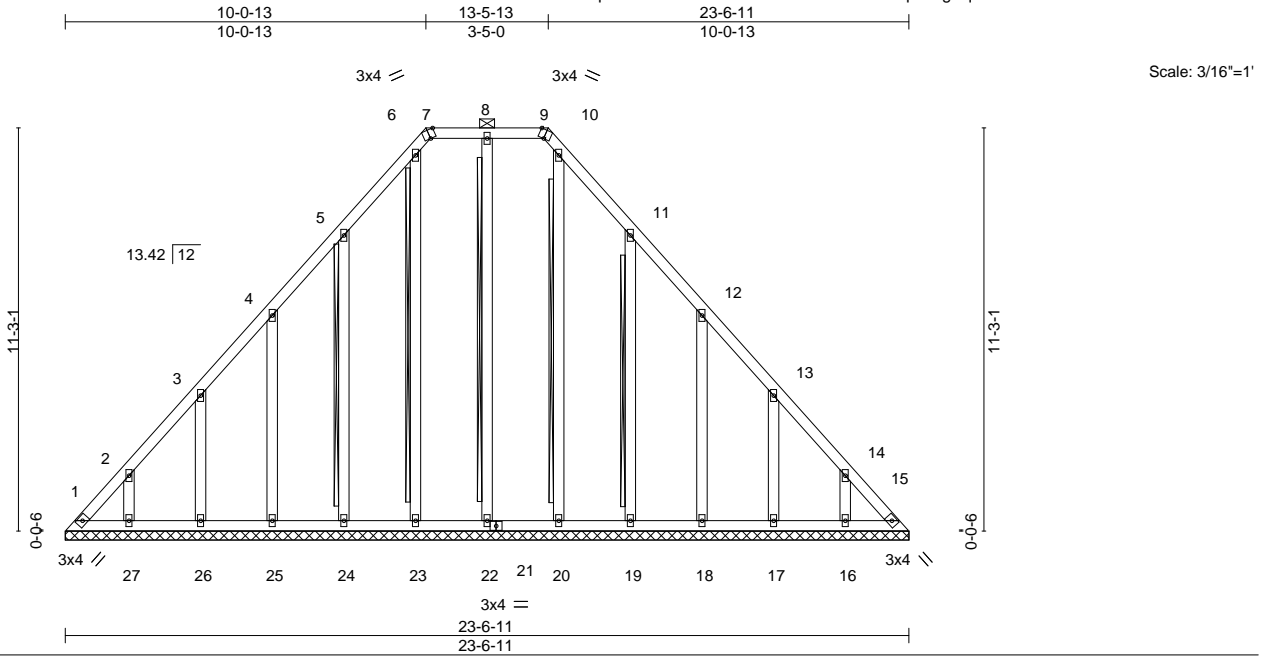


Plate Offsets (X,Y)--	[7:0-2-0,Edge], [9:0-2-0,Edge]				
LOADING (psf)	SPACING- 2-0-0	CSI.	DEFL. in (loc) l/defl L/d	PLATES	GRIP
TCLL 20.0	Plate Grip DOL 1.15	TC 0.11	Vert(LL) n/a - n/a 999	MT20	244/190
TCDL 10.0	Lumber DOL 1.15	BC 0.05	Vert(CT) n/a - n/a 999		
BCLL 0.0 *	Rep Stress Incr YES	WB 0.16	Horz(CT) 0.01 15 n/a n/a		
BCDL 10.0	Code IRC2015/TP12014	Matrix-S		Weight: 187 lb	FT = 25%

LUMBER-	BRACING-
TOP CHORD 2x4 SP No.1	TOP CHORD Structural wood sheathing directly applied or 6-0-0 oc purlins, except 2-0-0 oc purlins (6-0-0 max.): 7-9.
BOT CHORD 2x4 SP No.1	BOT CHORD Rigid ceiling directly applied or 10-0-0 oc bracing.
OTHERS 2x4 SP No.2	WEBS T-Brace: 2x4 SPF No.2 - 8-22, 6-23, 5-24, 10-20, 11-19
	Fasten (2X) T and I braces to narrow edge of web with 10d (0.131"x3") nails, 6in o.c., with 3in minimum end distance. Brace must cover 90% of web length.

REACTIONS. All bearings 23-6-11.
 (lb) - Max Horz 1=-452(LC 8)
 Max Uplift All uplift 100 lb or less at joint(s) 22, 23 except 1=-275(LC 10), 15=-188(LC 11), 24=-257(LC 12), 25=-230(LC 12), 26=-235(LC 12), 27=-222(LC 12), 19=-260(LC 13), 18=-230(LC 13), 17=-235(LC 13), 16=-222(LC 13)
 Max Grav All reactions 250 lb or less at joint(s) 22, 23, 24, 25, 26, 27, 20, 19, 18, 17, 16 except 1=457(LC 12), 15=400(LC 13)

FORCES. (lb) - Max. Comp./Max. Ten. - All forces 250 (lb) or less except when shown.
 TOP CHORD 1-2=-639/425, 2-3=-450/353, 3-4=-255/271, 5-6=-298/349, 6-7=-238/275, 7-8=-250/293, 8-9=-250/293, 9-10=-238/275, 10-11=-298/334, 13-14=-373/236, 14-15=-562/378
 BOT CHORD 1-27=-274/412, 26-27=-274/412, 25-26=-274/412, 24-25=-274/412, 23-24=-274/412, 22-23=-274/412, 20-22=-274/412, 19-20=-274/412, 18-19=-274/412, 17-18=-274/412, 16-17=-274/412, 15-16=-274/412
 WEBS 5-24=-279/281, 4-25=-252/253, 3-26=-259/261, 11-19=-279/284, 12-18=-252/253, 13-17=-259/261

- NOTES-**
- Unbalanced roof live loads have been considered for this design.
 - Wind: ASCE 7-10; Vult=150mph Vasd=119mph; TCDL=6.0psf; BCDL=6.0psf; h=15ft; Cat. II; Exp C; Enclosed; MWFRS (envelope) gable end zone and C-C Exterior(2) zone; C-C for members and forces & MWFRS for reactions shown; Lumber DOL=1.60 plate grip DOL=1.60
 - Provide adequate drainage to prevent water ponding.
 - All plates are 2x4 MT20 unless otherwise indicated.
 - Gable requires continuous bottom chord bearing.
 - This truss has been designed for a 10.0 psf bottom chord live load nonconcurrent with any other live loads.
 - * This truss has been designed for a live load of 30.0psf on the bottom chord in all areas where a rectangle 3-6-0 tall by 2-0-0 wide will fit between the bottom chord and any other members.
 - Provide mechanical connection (by others) of truss to bearing plate capable of withstanding 100 lb uplift at joint(s) 22, 23 except (jt=lb) 1=275, 15=188, 24=257, 25=230, 26=235, 27=222, 19=260, 18=230, 17=235, 16=222.
 - Graphical purlin representation does not depict the size or the orientation of the purlin along the top and/or bottom chord.
 - Warning: Additional permanent and stability bracing for truss system (not part of this component design) is always required.



May 9, 2024

WARNING - Verify design parameters and READ NOTES ON THIS AND INCLUDED MITEK REFERENCE PAGE MII-7473 rev. 1/2/2023 BEFORE USE.
 Design valid for use only with MiTek® connectors. This design is based only upon parameters shown, and is for an individual building component, not a truss system. Before use, the building designer must verify the applicability of design parameters and properly incorporate this design into the overall building design. Bracing indicated is to prevent buckling of individual truss web and/or chord members only. Additional temporary and permanent bracing is always required for stability and to prevent collapse with possible personal injury and property damage. For general guidance regarding the fabrication, storage, delivery, erection and bracing of trusses and truss systems, see **ANSI/TP1 Quality Criteria and DSB-22** available from Truss Plate Institute (www.tpinst.org) and **BCSI Building Component Safety Information** available from the Structural Building Component Association (www.sbcacomponents.com)

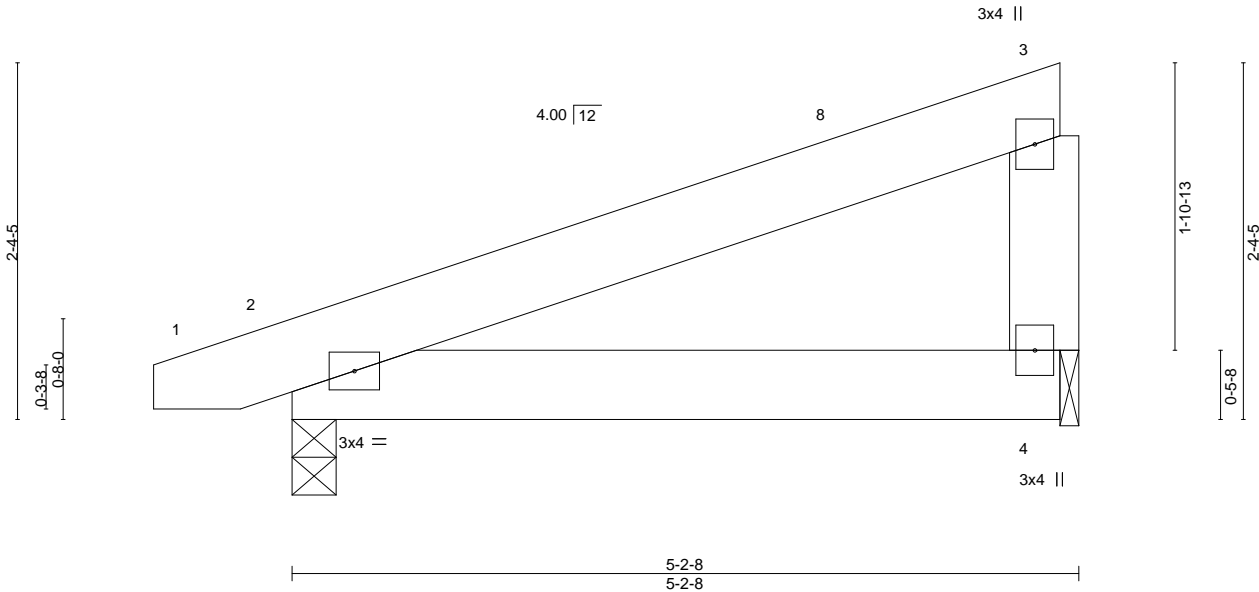
TRENCO ENGINEERING BY A MiTek Affiliate
 818 Soundside Road Edenton, NC 27932

Job J0524-2671	Truss M1	Truss Type MONOPITCH	Qty 4	Ply 1	Lot 8 Overhill's Creek Job Reference (optional)	I65449365
-------------------	-------------	-------------------------	----------	----------	--	-----------

Comtech, Inc. Fayetteville, NC - 28314,

8.430 s Jan 6 2022 MiTek Industries, Inc. Wed May 8 13:30:53 2024 Page 1

ID:L4ooqZl2lBaFe1TmHvnKrzle?4-RfC?PsB70Hq3NSgPqnL8w3ulTXbGKWrCDoi7J4zJC?f



Scale = 1:15.3

LOADING (psf)	SPACING-	2-0-0	CSI.	DEFL.	in	(loc)	l/defl	L/d	PLATES	GRIP
TCLL 20.0	Plate Grip DOL	1.15	TC 0.14	Vert(LL)	0.03	4-7	>999	240	MT20	244/190
TCDL 10.0	Lumber DOL	1.15	BC 0.14	Vert(CT)	-0.01	4-7	>999	240		
BCLL 0.0 *	Rep Stress Incr	YES	WB 0.00	Horz(CT)	-0.00	2	n/a	n/a		
BCDL 10.0	Code IRC2015/TPI2014		Matrix-AS						Weight: 30 lb	FT = 25%

LUMBER-
 TOP CHORD 2x6 SP No.1
 BOT CHORD 2x6 SP No.1
 WEBS 2x6 SP No.1

BRACING-
 TOP CHORD Structural wood sheathing directly applied, except end verticals.
 BOT CHORD Rigid ceiling directly applied.

REACTIONS. (size) 2=0-3-8, 4=0-1-8
 Max Horz 2=85(LC 8)
 Max Uplift 2=-142(LC 8), 4=-135(LC 8)
 Max Grav 2=239(LC 1), 4=197(LC 1)

FORCES. (lb) - Max. Comp./Max. Ten. - All forces 250 (lb) or less except when shown.

NOTES-

- 1) Wind: ASCE 7-10; Vult=150mph Vasd=119mph; TCCL=6.0psf; BCDL=6.0psf; h=15ft; Cat. II; Exp C; Enclosed; MWFRS (envelope) and C-C Exterior(2) -0-7-9 to 3-9-4, Interior(1) 3-9-4 to 4-11-12 zone; porch left exposed; C-C for members and forces & MWFRS for reactions shown; Lumber DOL=1.60 plate grip DOL=1.60
- 2) This truss has been designed for a 10.0 psf bottom chord live load nonconcurrent with any other live loads.
- 3) * This truss has been designed for a live load of 30.0psf on the bottom chord in all areas where a rectangle 3-6-0 tall by 2-0-0 wide will fit between the bottom chord and any other members.
- 4) Bearing at joint(s) 4 considers parallel to grain value using ANSI/TPI 1 angle to grain formula. Building designer should verify capacity of bearing surface.
- 5) Provide mechanical connection (by others) of truss to bearing plate at joint(s) 4.
- 6) Provide mechanical connection (by others) of truss to bearing plate capable of withstanding 100 lb uplift at joint(s) except (jt=lb) 2=142, 4=135.
- 7) This truss design requires that a minimum of 7/16" structural wood sheathing be applied directly to the top chord and 1/2" gypsum sheetrock be applied directly to the bottom chord.



May 9, 2024

WARNING - Verify design parameters and READ NOTES ON THIS AND INCLUDED MITEK REFERENCE PAGE MII-7473 rev. 1/2/2023 BEFORE USE.

Design valid for use only with MiTek® connectors. This design is based only upon parameters shown, and is for an individual building component, not a truss system. Before use, the building designer must verify the applicability of design parameters and properly incorporate this design into the overall building design. Bracing indicated is to prevent buckling of individual truss web and/or chord members only. Additional temporary and permanent bracing is always required for stability and to prevent collapse with possible personal injury and property damage. For general guidance regarding the fabrication, storage, delivery, erection and bracing of trusses and truss systems, see **ANSI/TPI1 Quality Criteria and DSB-22** available from Truss Plate Institute (www.tpinst.org) and **BCSI Building Component Safety Information** available from the Structural Building Component Association (www.sbcacomponents.com)

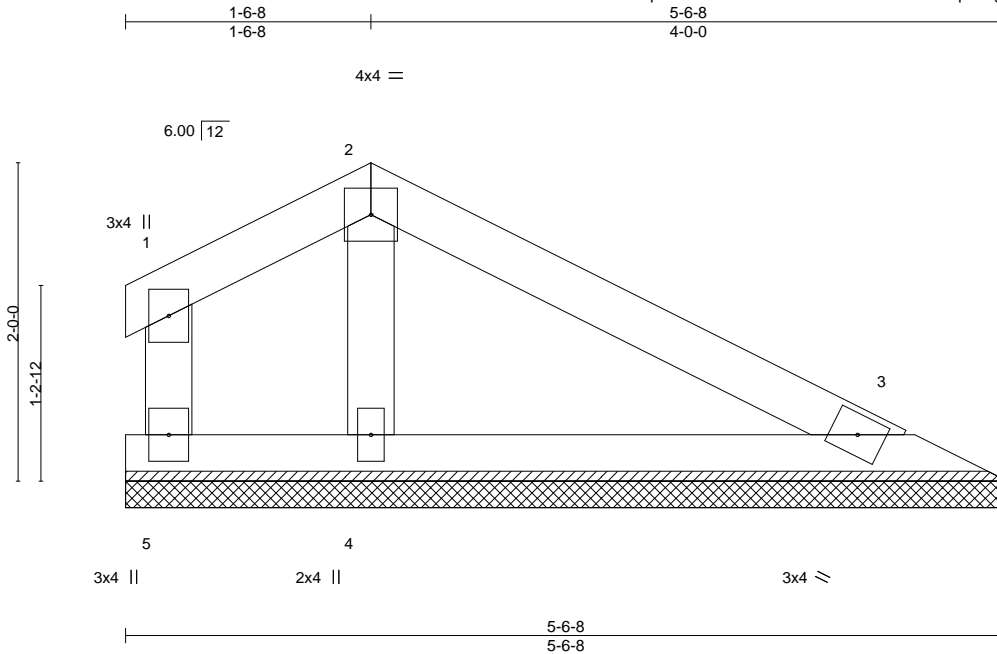


818 Soundside Road
 Edenton, NC 27932

Job J0524-2671	Truss V1	Truss Type Valley	Qty 2	Ply 1	Lot 8 Overhill's Creek Job Reference (optional)	I65449366
-------------------	-------------	----------------------	----------	----------	--	-----------

Comtech, Inc. Fayetteville, NC - 28314,

8.430 s Jan 6 2022 MiTek Industries, Inc. Wed May 8 13:30:53 2024 Page 1
ID:L4ooqZiIIBaFe1TmHvnKrzle?4-RfC?PsB70Hq3NSgPqnL8w3ulTXbGKWrCDoi7J4zJC?f



Scale = 1:14.5

LOADING (psf)	SPACING-	2-0-0	CSI.	DEFL.	in (loc)	l/defl	L/d	PLATES	GRIP	
TCLL 20.0	Plate Grip DOL	1.15	TC 0.19	Vert(LL)	n/a	-	n/a	999	MT20	244/190
BCLL 10.0	Lumber DOL	1.15	BC 0.06	Vert(CT)	n/a	-	n/a	999		
BCLL 0.0 *	Rep Stress Incr	YES	WB 0.03	Horz(CT)	0.00	3	n/a	n/a		
BCDL 10.0	Code IRC2015/TPI2014		Matrix-P						Weight: 20 lb	FT = 25%

LUMBER-
TOP CHORD 2x4 SP No.1
BOT CHORD 2x4 SP No.1
WEBS 2x4 SP No.2
OTHERS 2x4 SP No.2

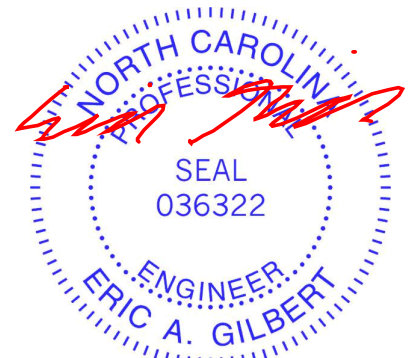
BRACING-
TOP CHORD Structural wood sheathing directly applied or 5-6-8 oc purlins, except end verticals.
BOT CHORD Rigid ceiling directly applied or 10-0-0 oc bracing.

REACTIONS. (size) 5=5-5-12, 3=5-5-12, 4=5-5-12
Max Horz 5=-56(LC 13)
Max Uplift 5=-29(LC 12), 3=-27(LC 13), 4=-26(LC 13)
Max Grav 5=34(LC 1), 3=128(LC 1), 4=208(LC 1)

FORCES. (lb) - Max. Comp./Max. Ten. - All forces 250 (lb) or less except when shown.

NOTES-

- 1) Unbalanced roof live loads have been considered for this design.
- 2) Wind: ASCE 7-10; Vult=150mph Vasd=119mph; TC DL=6.0psf; BCDL=6.0psf; h=15ft; Cat. II; Exp C; Enclosed; MWFRS (envelope) and C-C Exterior(2) zone; C-C for members and forces & MWFRS for reactions shown; Lumber DOL=1.60 plate grip DOL=1.60
- 3) Gable requires continuous bottom chord bearing.
- 4) This truss has been designed for a 10.0 psf bottom chord live load nonconcurrent with any other live loads.
- 5) * This truss has been designed for a live load of 30.0psf on the bottom chord in all areas where a rectangle 3-6-0 tall by 2-0-0 wide will fit between the bottom chord and any other members.
- 6) Provide mechanical connection (by others) of truss to bearing plate capable of withstanding 100 lb uplift at joint(s) 5, 3, 4.



May 9, 2024

WARNING - Verify design parameters and READ NOTES ON THIS AND INCLUDED MITEK REFERENCE PAGE MII-7473 rev. 1/2/2023 BEFORE USE.

Design valid for use only with MiTek® connectors. This design is based only upon parameters shown, and is for an individual building component, not a truss system. Before use, the building designer must verify the applicability of design parameters and properly incorporate this design into the overall building design. Bracing indicated is to prevent buckling of individual truss web and/or chord members only. Additional temporary and permanent bracing is always required for stability and to prevent collapse with possible personal injury and property damage. For general guidance regarding the fabrication, storage, delivery, erection and bracing of trusses and truss systems, see **ANSI/TP1 Quality Criteria and DSB-22** available from Truss Plate Institute (www.tpinst.org) and **BCSI Building Component Safety Information** available from the Structural Building Component Association (www.sbcacomponents.com)

ENGINEERING BY
TRENCO
A MiTek Affiliate

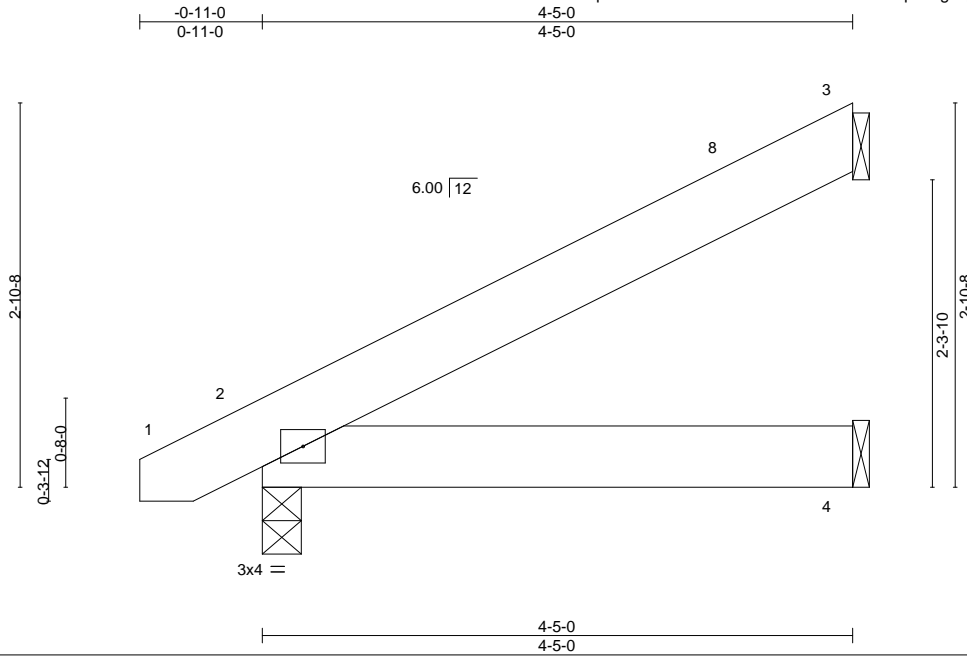
818 Soundside Road
Edenton, NC 27932

Job J0524-2671	Truss X1	Truss Type JACK-OPEN	Qty 28	Ply 1	Lot 8 Overhill's Creek Job Reference (optional)	I65449367
-------------------	-------------	-------------------------	-----------	----------	--	-----------

Comtech, Inc. Fayetteville, NC - 28314,

8.430 s Jan 6 2022 MiTek Industries, Inc. Wed May 8 13:30:54 2024 Page 1

ID:L4ooqZl2lIBaFe1TmHvnKrzle?4-RfC?PsB70Hq3NSgPqnL8w3ulTXbGKWrCDoi7J4zJC?f
4-5-0
4-5-0



Scale = 1:17.2

LOADING (psf)	SPACING-	2-0-0	CSI.	DEFL.	in (loc)	l/defl	L/d	PLATES	GRIP	
TCLL 20.0	Plate Grip DOL	1.15	TC 0.09	Vert(LL)	-0.00	4-7	>999	360	MT20	244/190
TCDL 10.0	Lumber DOL	1.15	BC 0.09	Vert(CT)	-0.01	4-7	>999	240		
BCLL 0.0 *	Rep Stress Incr	YES	WB 0.00	Horz(CT)	-0.00	3	n/a	n/a		
BCDL 10.0	Code IRC2015/TPI2014		Matrix-AS	Wind(LL)	0.01	4-7	>999	240	Weight: 25 lb	FT = 25%

LUMBER-
TOP CHORD 2x6 SP No.1
BOT CHORD 2x6 SP No.1

BRACING-
TOP CHORD Structural wood sheathing directly applied.
BOT CHORD Rigid ceiling directly applied.

REACTIONS. (size) 3=Mechanical, 2=0-3-8, 4=Mechanical
Max Horz 2=107(LC 12)
Max Uplift 3=74(LC 12), 2=-32(LC 12)
Max Grav 3=114(LC 1), 2=221(LC 1), 4=80(LC 3)

FORCES. (lb) - Max. Comp./Max. Ten. - All forces 250 (lb) or less except when shown.

NOTES-

- 1) Wind: ASCE 7-10; Vult=150mph Vasd=119mph; TC DL=6.0psf; BCDL=6.0psf; h=15ft; Cat. II; Exp C; Enclosed; MWFRS (envelope) and C-C Exterior(2) -0-8-10 to 3-8-3, Interior(1) 3-8-3 to 4-4-4 zone;C-C for members and forces & MWFRS for reactions shown; Lumber DOL=1.60 plate grip DOL=1.60
- 2) This truss has been designed for a 10.0 psf bottom chord live load nonconcurrent with any other live loads.
- 3) * This truss has been designed for a live load of 30.0psf on the bottom chord in all areas where a rectangle 3-6-0 tall by 2-0-0 wide will fit between the bottom chord and any other members.
- 4) Refer to girder(s) for truss to truss connections.
- 5) Provide mechanical connection (by others) of truss to bearing plate capable of withstanding 100 lb uplift at joint(s) 3, 2.
- 6) This truss design requires that a minimum of 7/16" structural wood sheathing be applied directly to the top chord and 1/2" gypsum sheetrock be applied directly to the bottom chord.
- 7) See Standard Industry Piggyback Truss Connection Detail for Connection to base truss as applicable, or consult qualified building designer.



May 9, 2024

WARNING - Verify design parameters and READ NOTES ON THIS AND INCLUDED MITEK REFERENCE PAGE MII-7473 rev. 1/2/2023 BEFORE USE.

Design valid for use only with MiTek® connectors. This design is based only upon parameters shown, and is for an individual building component, not a truss system. Before use, the building designer must verify the applicability of design parameters and properly incorporate this design into the overall building design. Bracing indicated is to prevent buckling of individual truss web and/or chord members only. Additional temporary and permanent bracing is always required for stability and to prevent collapse with possible personal injury and property damage. For general guidance regarding the fabrication, storage, delivery, erection and bracing of trusses and truss systems, see **ANSI/TPI1 Quality Criteria and DSB-22** available from Truss Plate Institute (www.tpinst.org) and **BCSI Building Component Safety Information** available from the Structural Building Component Association (www.sbcacomponents.com)

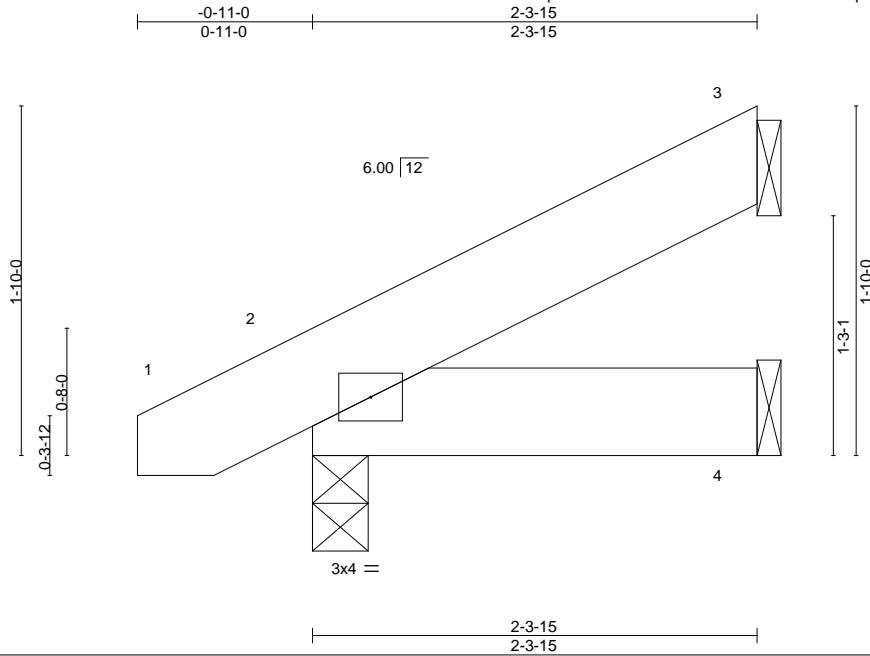


818 Soundside Road
Edenton, NC 27932

Job J0524-2671	Truss Y1	Truss Type JACK-OPEN	Qty 4	Ply 1	Lot 8 Overhill's Creek Job Reference (optional)	I65449368
-------------------	-------------	-------------------------	----------	----------	--	-----------

Comtech, Inc. Fayetteville, NC - 28314,

8.430 s Jan 6 2022 MiTek Industries, Inc. Wed May 8 13:30:54 2024 Page 1
ID:L4ooqZlIIBaFe1TmHvnKrzle?4-RfC?PsB70Hq3NSgPqnL8w3ulTXbGKWrCDoi7J4zJC?f



Scale: 1"=1'

LOADING (psf)	SPACING-	2-0-0	CSI.	DEFL.	in (loc)	l/defl	L/d	PLATES	GRIP	
TCLL 20.0	Plate Grip DOL	1.15	TC 0.02	Vert(LL)	-0.00	7	>999	360	MT20	244/190
TCDL 10.0	Lumber DOL	1.15	BC 0.02	Vert(CT)	-0.00	7	>999	240		
BCLL 0.0 *	Rep Stress Incr	YES	WB 0.00	Horz(CT)	-0.00	3	n/a	n/a		
BCDL 10.0	Code IRC2015/TPI2014		Matrix-MP	Wind(LL)	0.00	7	>999	240		
									Weight: 14 lb	FT = 25%

LUMBER-
TOP CHORD 2x6 SP No.1
BOT CHORD 2x6 SP No.1

BRACING-
TOP CHORD Structural wood sheathing directly applied or 2-3-15 oc purlins.
BOT CHORD Rigid ceiling directly applied or 10-0-0 oc bracing.

REACTIONS. (size) 3=Mechanical, 2=0-3-8, 4=Mechanical
Max Horz 2=61(LC 12)
Max Uplift 3=-36(LC 12), 2=-24(LC 12)
Max Grav 3=55(LC 1), 2=140(LC 1), 4=40(LC 3)

FORCES. (lb) - Max. Comp./Max. Ten. - All forces 250 (lb) or less except when shown.

NOTES-

- 1) Wind: ASCE 7-10; Vult=150mph Vasd=119mph; TCDL=6.0psf; BCDL=6.0psf; h=15ft; Cat. II; Exp C; Enclosed; MWFRS (envelope) and C-C Exterior(2) zone; C-C for members and forces & MWFRS for reactions shown; Lumber DOL=1.60 plate grip DOL=1.60
- 2) This truss has been designed for a 10.0 psf bottom chord live load nonconcurrent with any other live loads.
- 3) * This truss has been designed for a live load of 30.0psf on the bottom chord in all areas where a rectangle 3-6-0 tall by 2-0-0 wide will fit between the bottom chord and any other members.
- 4) Refer to girder(s) for truss to truss connections.
- 5) Provide mechanical connection (by others) of truss to bearing plate capable of withstanding 100 lb uplift at joint(s) 3, 2.
- 6) See Standard Industry Piggyback Truss Connection Detail for Connection to base truss as applicable, or consult qualified building designer.



May 9, 2024

WARNING - Verify design parameters and READ NOTES ON THIS AND INCLUDED MITEK REFERENCE PAGE MII-7473 rev. 1/2/2023 BEFORE USE.

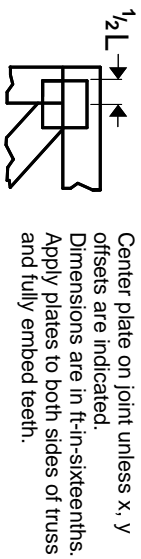
Design valid for use only with MiTek® connectors. This design is based only upon parameters shown, and is for an individual building component, not a truss system. Before use, the building designer must verify the applicability of design parameters and properly incorporate this design into the overall building design. Bracing indicated is to prevent buckling of individual truss web and/or chord members only. Additional temporary and permanent bracing is always required for stability and to prevent collapse with possible personal injury and property damage. For general guidance regarding the fabrication, storage, delivery, erection and bracing of trusses and truss systems, see **ANSI/TPI1 Quality Criteria and DSB-22** available from Truss Plate Institute (www.tpinst.org) and **BCSI Building Component Safety Information** available from the Structural Building Component Association (www.sbcacomponents.com)



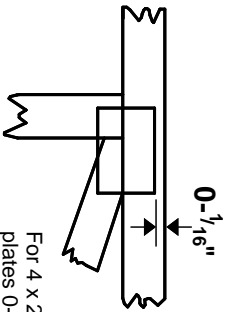
818 Soundside Road
Edenton, NC 27932

Symbols

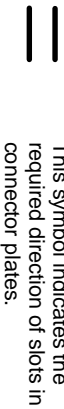
PLATE LOCATION AND ORIENTATION



Center plate on joint unless x, y offsets are indicated. Dimensions are in ft-in-sixteenths. Apply plates to both sides of truss and fully embed teeth.



For 4 x 2 orientation, locate plates 0- 1/16" from outside edge of truss.



This symbol indicates the required direction of slots in connector plates.

* Plate location details available in MITek software or upon request.

PLATE SIZE

4 X 4

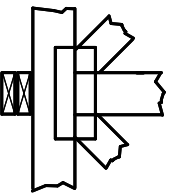
The first dimension is the plate width measured perpendicular to slots. Second dimension is the length parallel to slots.

LATERAL BRACING LOCATION



Indicated by symbol shown and/or by text in the bracing section of the output. Use T or I bracing if indicated.

BEARING



Indicates location where bearings (supports) occur. Icons vary but reaction section indicates joint number/letter where bearings occur. Min size shown is for crushing only.

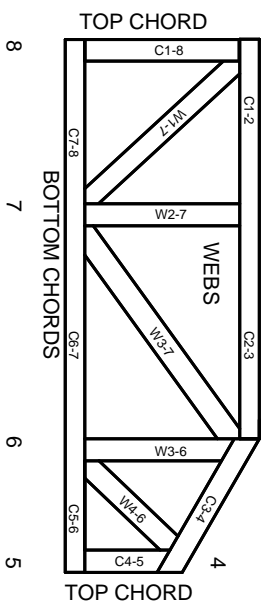
Industry Standards:

ANSI/TP1: National Design Specification for Metal Plate Connected Wood Truss Construction.
DSB-22: Design Standard for Bracing.
BCSI: Building Component Safety Information, Guide to Good Practice for Handling, Installing, Restraining & Bracing of Metal Plate Connected Wood Trusses.

Numbering System



1 TOP CHORDS
2 Joint ID typ.



JOINTS ARE GENERALLY NUMBERED/LETTERED CLOCKWISE AROUND THE TRUSS STARTING AT THE JOINT FARTHEST TO THE LEFT.

CHORDS AND WEBS ARE IDENTIFIED BY END JOINT NUMBERS/LETTERS.

Product Code Approvals

ICC-ES Reports:

ESR-1988, ESR-2362, ESR-2685, ESR-3282
ESR-4722, ESL-1388

Design General Notes

Trusses are designed for wind loads in the plane of the truss unless otherwise shown.

Lumber design values are in accordance with ANSI/TP1 section 6.3. These truss designs rely on Lumber values established by others.

© 2023 MITek® All Rights Reserved

MITek

ENGINEERING BY
TRENGO
A MITek Affiliate

MITek Engineering Reference Sheet: MIL-7473 rev. 1/2/2023

General Safety Notes

Failure to Follow Could Cause Property Damage or Personal Injury

1. Additional stability/bracing for truss system, e.g. diagonal or X-bracing, is always required. See BCSI.
2. Truss bracing must be designed by an engineer. For wide truss spacing, individual lateral braces themselves may require bracing, or alternative Tor I bracing should be considered.
3. Never exceed the design loading shown and never stack materials on inadequately braced trusses.
4. Provide copies of this truss design to the building designer, erection supervisor, property owner and all other interested parties.
5. Cut members to bear tightly against each other.
6. Place plates on each face of truss at each joint and embed fully. Knots and wane at joint locations are regulated by ANSI/TP1 1.
7. Design assumes trusses will be suitably protected from the environment in accord with ANSI/TP1 1.
8. Unless otherwise noted, moisture content of lumber shall not exceed 19% at time of fabrication.
9. Unless expressly noted, this design is not applicable for use with fire retardant, preservative treated, or green lumber.
10. Camber is a non-structural consideration and is the responsibility of truss fabricator. General practice is to camber for dead load deflection.
11. Plate type, size, orientation and location dimensions indicated are minimum plating requirements.
12. Lumber used shall be of the species and size, and in all respects, equal to or better than that specified.
13. Top chords must be sheathed or purlins provided at spacing indicated on design.
14. Bottom chords require lateral bracing at 10 ft. spacing, or less, if no ceiling is installed, unless otherwise noted.
15. Connections not shown are the responsibility of others.
16. Do not cut or alter truss member or plate without prior approval of an engineer.
17. Install and load vertically unless indicated otherwise.
18. Use of green or treated lumber may pose unacceptable environmental, health or performance risks. Consult with project engineer before use.
19. Review all portions of this design (front, back, words and pictures) before use. Reviewing pictures alone is not sufficient.
20. Design assumes manufacture in accordance with ANSI/TP1 1 Quality Criteria.
21. The design does not take into account any dynamic or other loads other than those expressly stated.

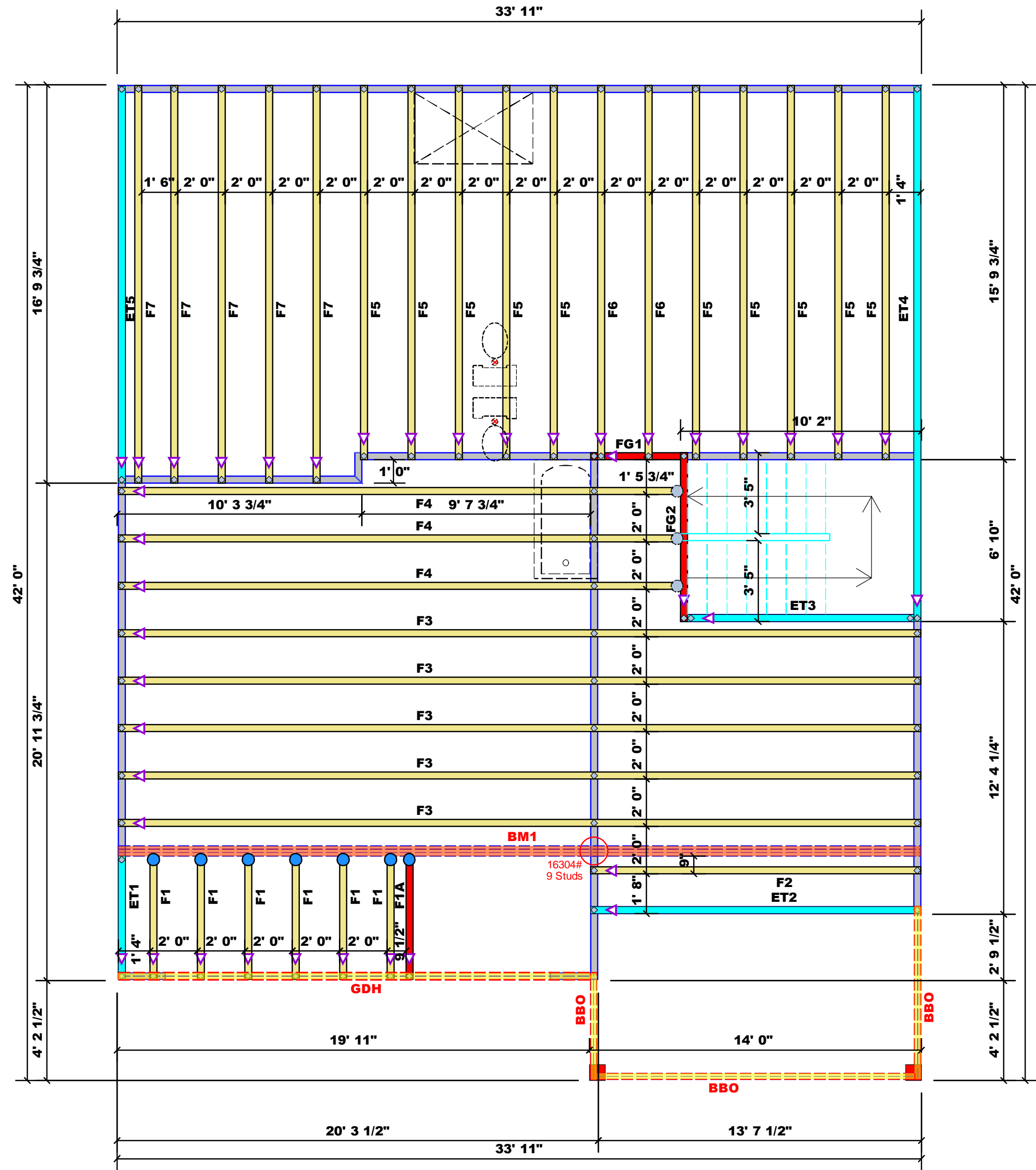


ROOF & FLOOR TRUSSES & BEAMS

Reilly Road Industrial Park
Fayetteville, N.C. 28309
Phone: (910) 864-8787
Fax: (910) 864-4444

Bearing reactions less than or equal to 3000# are deemed to comply with the prescriptive Code requirements. The contractor shall refer to the attached Tables (derived from the prescriptive Code requirements) to determine the minimum foundation size and number of wood studs required to support reactions greater than 3000# but not greater than 15000#. A registered design professional shall be retained to design the support system for any reaction that exceeds those specified in the attached Tables. A registered design professional shall be retained to design the support system for all reactions that exceed 15000#.

Signature Jonathan Landry
Jonathan Landry



All Truss Reactions are Less than 3,000 lbs. Unless Noted Otherwise.
-- Denotes Reaction Greater than 3,000 lbs. Reaction / # of Studs

All Headers Are Considered 2X10 Beams Unless Otherwise Noted

All Walls Shown Are Considered Load Bearing

Plumbing Drop Notes
1. Plumbing drop locations shown are NOT exact.
2. Contractor to verify ALL plumbing drop locations prior to setting Floor Trusses.
3. Adjust spacing as needed not to exceed 24" oc.

Dimension Notes
1. All exterior wall to wall dimensions are to face of sheathing unless noted otherwise.
2. All interior wall dimensions are to face of stud unless noted otherwise.
3. All exterior wall to truss dimensions are to face of stud unless noted otherwise

Hatch Legend
Second Floor Walls
Box Storage
Drop Beam
Flush Beam

Connector Information				Nail Information		
Sym	Product	Manuf	Qty	Supported Member	Header	Truss
●	HUS410	USP	7	NA	16d/3-1/2"	16d/3-1/2"
●	MSH422	USP	3	Varies	10d/3"	10d/3"

Products				
PlotID	Length	Product	Plies	Net Qty
BM1	34' 0"	1-3/4"x 16" LVL Kerto-S	3	3
GDH	20' 0"	1-3/4"x 11-7/8" LVL Kerto-S	2	2

1 Truss Placement Plan
Scale: 1/4"=1'

END REACTION (UP TO)	REQ'D STUDS FOR (1) 1/2" HEADER	END REACTION (UP TO)	REQ'D STUDS FOR (1) 1/2" HEADER	END REACTION (UP TO)	REQ'D STUDS FOR (1) 1/2" HEADER
1700	1	2550	1	3400	1
3400	2	5100	2	6800	2
5100	3	7650	3	10200	3
6800	4	10200	4	13600	4
8500	5	12750	5	17000	5
10200	6	15300	6		
11900	7				
13600	8				
15300	9				

CITY / CO.	Johnston Co. / Johnston
ADDRESS	64 Onslow Court
MODEL	Floor
DATE REV.	05/08/24
DRAWN BY	Jonathan Landry
SALES REP.	Neil Baggett

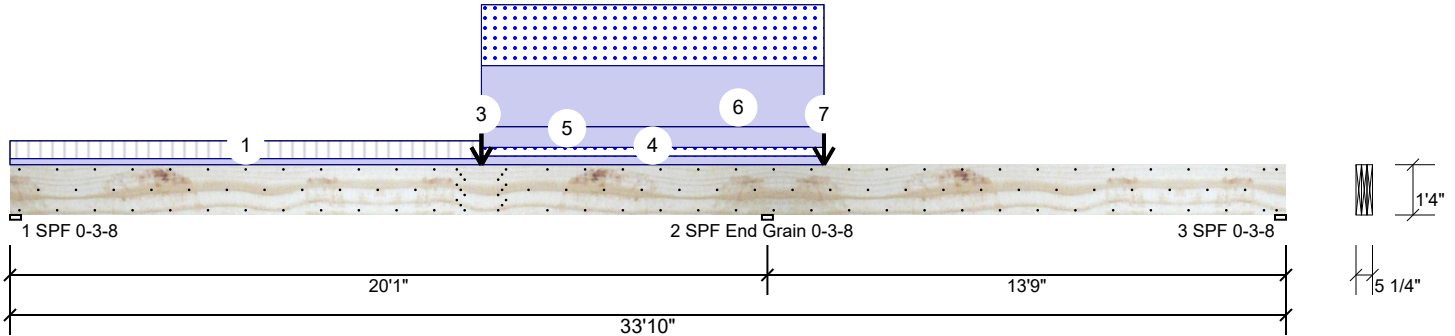
BUILDER	Wellco Contractors
JOB NAME	Lot 8 Overhill's Creek
PLAN	Plan 16 / 26LF
SEAL DATE	N/A
QUOTE #	
JOB #	J0524-2672

△ = Indicates Left End of Truss
(Reference Engineered Truss Drawing)
Do NOT Erect Truss Backwards

THIS IS A TRUSS PLACEMENT DIAGRAM ONLY. These trusses are designed as individual building components to be incorporated into the building design at the specification of the building designer. See individual design sheets for each truss design identified on the placement drawing. The building designer is responsible for temporary and permanent bracing of the roof and floor system and for the overall structure. The design of the truss support structure including headers, beams, walls, and columns is the responsibility of the building designer. For general guidance regarding bracing, consult BCSI-B1 and BCSI-B3 provided with the truss delivery package or online @ sbciindustry.com

BM1 Kerto-S LVL 1.750" X 16.000" 3-Ply - PASSED

Level: Level



Member Information

Type:	Girder	Application:	Floor
Plies:	3	Design Method:	ASD
Moisture Condition:	Dry	Building Code:	IBC/IRC 2015
Deflection LL:	480	Load Sharing:	Yes
Deflection TL:	360	Deck:	Not Checked
Importance:	Normal - II	Ceiling:	Gypsum 1/2"
Temperature:	Temp <= 100°F		

Reactions UNPATTERNED lb (Uplift)

Brg	Direction	Live	Dead	Snow	Wind	Const
1	Vertical	1119	1461	823	0	0
2	Vertical	1642	9120	7095	0	0
3	Vertical	0 (-320)	(-585)	0 (-467)	0	0

Bearings

Bearing	Length	Dir.	Cap.	React D/L lb	Total	Ld. Case	Ld. Comb.
1 - SPF	3.500"	Vert	37%	1440 / 1461	2901	L_	D+0.75(L+S)
2 - SPF	3.500"	Vert	95%	9171 / 7133	16304	LL	D+S
End Grain							
3 - SPF	3.500"	Vert	0%	0 / 0 0 (-1291)			(D+0.75(L+S))

Analysis Results

Analysis	Actual	Location	Allowed	Capacity	Comb.	Case
Neg Moment	-24333 ft-lb	20'1"	62010 ft-lb	0.392 (39%)	D+0.75(L+S)	LL
Pos Moment	25406 ft-lb	12'6"	62010 ft-lb	0.410 (41%)	D+0.75(L+S)	L_
Unbraced	25406 ft-lb	12'6"	25421 ft-lb	0.999 (100%)	D+0.75(L+S)	L_
Shear	8647 lb	18'7 1/4"	20608 lb	0.420 (42%)	D+0.75(L+S)	LL
LL Defl inch	0.214 (L/1116)	10'7 1/16"	0.497 (L/480)	0.430 (43%)	0.75(L+S)	L_
TL Defl inch	0.453 (L/527)	10'8 3/8"	0.662 (L/360)	0.684 (68%)	D+0.75(L+S)	L_

Design Notes

- Provide support to prevent lateral movement and rotation at the end bearings. Lateral support may also be required at the interior bearings by the building code.
- Fasten all plies using 3 rows of 10d Box nails (.128x3") at 12" o.c. Maximum end distance not to exceed 6". Nail from both sides.
- Refer to last page of calculations for fasteners required for specified loads.
- Concentrated load fastener specification is in addition to hanger fasteners if a hanger is present.
- Girders are designed to be supported on the bottom edge only.
- Top loads must be supported equally by all plies.
- Tie-down connection required at bearing 3 for uplift 1291 lb (Combination D+0.75(L+S), Load Case L_).
- Top must be laterally braced at a maximum of 6'11 3/4" o.c.
- Bottom must be laterally braced at a maximum of 7'3 1/2" o.c.
- Lateral slenderness ratio based on single ply width.

Notes

Calculated Structural Designs is responsible only of the structural adequacy of this component based on the design criteria and loadings shown. It is the responsibility of the customer and/or the contractor to ensure the component suitability of the intended application, and to verify the dimensions and loads.

Lumber

- Dry service conditions, unless noted otherwise
- LVL not to be treated with fire retardant or corrosive

chemicals

Handling & Installation

- LVL beams must not be cut or drilled
- Refer to manufacturer's product information regarding installation requirements, multi-ply fastening details, beam strength values, and code approvals
- Damaged Beams must not be used
- Design assumes top edge is laterally restrained
- Provide lateral support at bearing points to avoid lateral displacement and rotation

6. For flat roofs provide proper drainage to prevent ponding

This design is valid until 6/28/2026

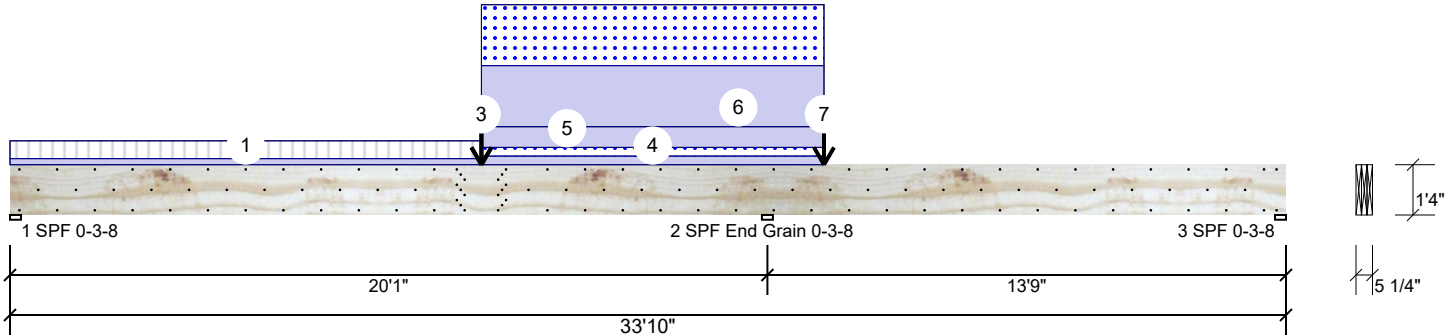
Manufacturer Info

Metsä Wood
 301 Merritt 7 Building, 2nd Floor
 Norwalk, CT 06851
 (800) 622-5850
www.metsawood.com/us

Comtech, Inc.
 1001 S Reilly Road
 Fayetteville
 Cumberland
 28314

BM1 Kerto-S LVL 1.750" X 16.000" 3-Ply - PASSED

Level: Level



ID	Load Type	Location	Trib Width	Side	Dead 0.9	Live 1	Snow 1.15	Wind 1.6	Const. 1.25	Comments
1	Part. Uniform	0-0-0 to 12-6-0		Near Face	35 PLF	103 PLF	0 PLF	0 PLF	0 PLF	F1
2	Point	12-6-0		Near Face	385 lb	1153 lb	0 lb	0 lb	0 lb	F1A
3	Point	12-6-0		Top	1900 lb	0 lb	1900 lb	0 lb	0 lb	C1-GR
	Bearing Length	0-3-8								
4	Part. Uniform	12-6-0 to 21-7-0		Near Face	50 PLF	0 PLF	50 PLF	0 PLF	0 PLF	M1
5	Part. Uniform	12-6-0 to 21-7-0		Top	120 PLF	0 PLF	0 PLF	0 PLF	0 PLF	Wall
6	Part. Uniform	12-6-0 to 21-7-0		Top	352 PLF	0 PLF	352 PLF	0 PLF	0 PLF	A7
7	Point	21-7-0		Top	1900 lb	0 lb	1900 lb	0 lb	0 lb	C1-GR
	Bearing Length	0-3-8								
	Self Weight				19 PLF					

Notes
 Calculated Structured Designs is responsible only of the structural adequacy of this component based on the design criteria and loadings shown. It is the responsibility of the customer and/or the contractor to ensure the component suitability of the intended application, and to verify the dimensions and loads.

Lumber
 1. Dry service conditions, unless noted otherwise
 2. LVL not to be treated with fire retardant or corrosive chemicals

Handling & Installation
 1. LVL beams must not be cut or drilled
 2. Refer to manufacturer's product information regarding installation requirements, multi-ply fastening details, beam strength values, and code approvals
 3. Damaged Beams must not be used
 4. Design assumes top edge is laterally restrained
 5. Provide lateral support at bearing points to avoid lateral displacement and rotation

6. For flat roofs provide proper drainage to prevent ponding

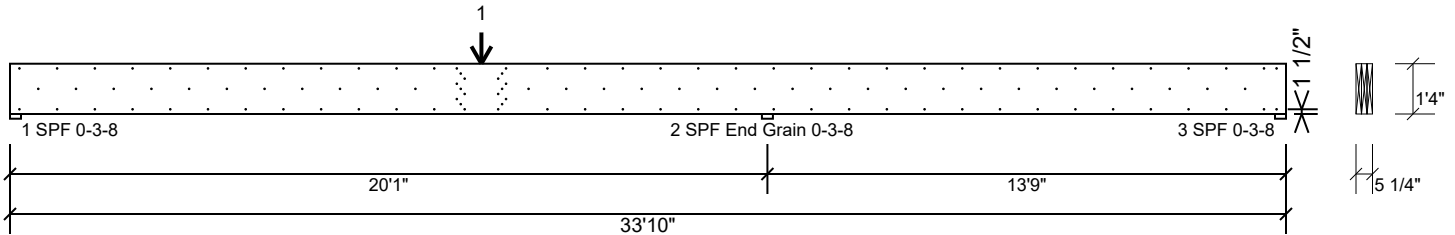
This design is valid until 6/28/2026

Manufacturer Info
 Metsä Wood
 301 Merritt 7 Building, 2nd Floor
 Norwalk, CT 06851
 (800) 622-5850
 www.metsawood.com/us

Comtech, Inc.
 1001 S Reilly Road
 Fayetteville
 Cumberland
 28314

BM1 Kerto-S LVL 1.750" X 16.000" 3-Ply - PASSED

Level: Level



Multi-Ply Analysis

Fasten all plies using 3 rows of 10d Box nails (.128x3") at 12" o.c.. except for regions covered by concentrated load fastening. Nail from both sides. Maximum end distance not to exceed 6".

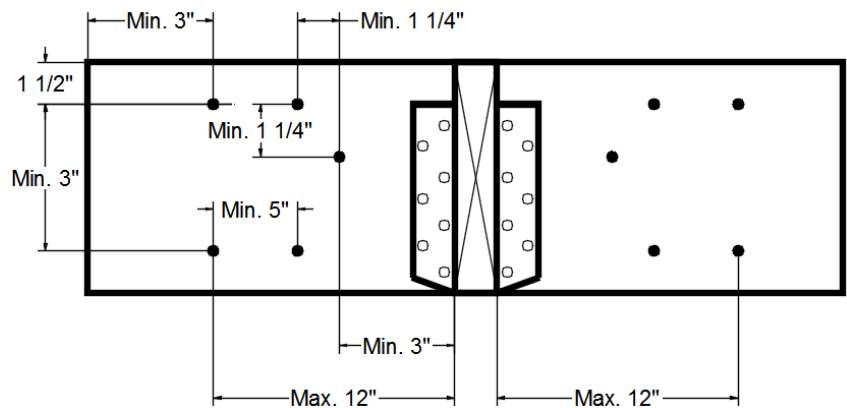
Capacity	37.5 %
Load	92.0 PLF
Yield Limit per Foot	245.6 PLF
Yield Limit per Fastener	81.9 lb.
C _m	1
Yield Mode	IV
Edge Distance	1 1/2"
Min. End Distance	3"
Load Combination	D+L
Duration Factor	1.00

Concentrated Load

Fasten at concentrated side load at 12-6-0 with a minimum of (18) – 10d Box nails (.128x3") in the pattern shown. Nail from both sides.

Capacity	69.6 %
Load	1025.3lb.
Total Yield Limit	1473.0 lb.
C _g	0.9998
C _m	1
Yield Limit per Fastener	81.9 lb.
Yield Mode	IV
Load Combination	D+L
Duration Factor	1.00

Min/Max fastener distances for Concentrated Side Loads



Notes

Calculated Structured Designs is responsible only of the structural adequacy of this component based on the design criteria and loadings shown. It is the responsibility of the customer and/or the contractor to ensure the component suitability of the intended application, and to verify the dimensions and loads.

Lumber

1. Dry service conditions, unless noted otherwise
2. LVL not to be treated with fire retardant or corrosive

chemicals

Handling & Installation

1. LVL beams must not be cut or drilled
2. Refer to manufacturer's product information regarding installation requirements, multi-ply fastening details, beam strength values, and code approvals
3. Damaged Beams must not be used
4. Design assumes top edge is laterally restrained
5. Provide lateral support at bearing points to avoid lateral displacement and rotation

6. For flat roofs provide proper drainage to prevent ponding

This design is valid until 6/28/2026

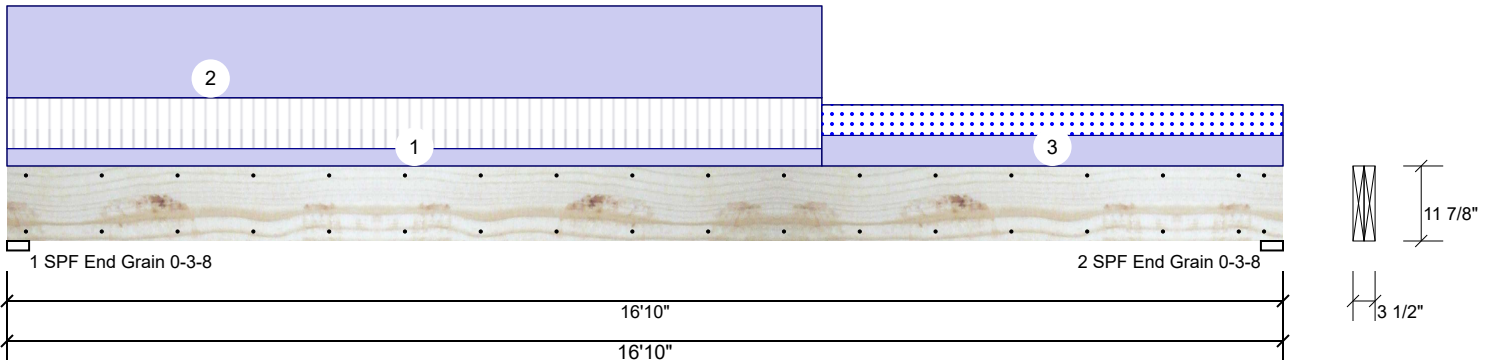
Manufacturer Info

Metsä Wood
 301 Merritt 7 Building, 2nd Floor
 Norwalk, CT 06851
 (800) 622-5850
www.metsawood.com/us

Comtech, Inc.
 1001 S Reilly Road
 Fayetteville
 Cumberland
 28314

GDH Kerto-S LVL 1.750" X 11.875" 2-Ply - PASSED

Level: Level



Member Information

Type:	Girder	Application:	Floor
Plies:	2	Design Method:	ASD
Moisture Condition:	Dry	Building Code:	IBC/IRC 2015
Deflection LL:	480	Load Sharing:	No
Deflection TL:	360	Deck:	Not Checked
Importance:	Normal - II	Ceiling:	Gypsum 1/2"
Temperature:	Temp <= 100°F		

Reactions UNPATTERNED lb (Uplift)

Brg	Direction	Live	Dead	Snow	Wind	Const
1	Vertical	737	1718	63	0	0
2	Vertical	338	1103	302	0	0

Bearings

Bearing	Length	Dir.	Cap.	React D/L lb	Total	Ld. Case	Ld. Comb.
1 - SPF End Grain	3.500"	Vert	24%	1718 / 737	2455	L	D+L
2 - SPF End Grain	3.500"	Vert	15%	1103 / 480	1583	L	D+0.75(L+S)

Analysis Results

Analysis	Actual	Location	Allowed	Capacity	Comb.	Case
Moment	8767 ft-lb	7'7 1/8"	19911 ft-lb	0.440 (44%)	D+L	L
Unbraced	8767 ft-lb	7'7 1/8"	8768 ft-lb	1.000 (100%)	D+L	L
Shear	2050 lb	1'3 3/8"	8867 lb	0.231 (23%)	D+L	L
LL Defl inch	0.126 (L/1554)	8' 3/8"	0.409 (L/480)	0.309 (31%)	L	L
TL Defl inch	0.442 (L/445)	8'1 9/16"	0.546 (L/360)	0.810 (81%)	D+L	L

Design Notes

- 1 Provide support to prevent lateral movement and rotation at the end bearings. Lateral support may also be required at the interior bearings by the building code.
- 2 Fasten all plies using 2 rows of 10d Box nails (.128x3") at 12" o.c. Maximum end distance not to exceed 6".
- 3 Refer to last page of calculations for fasteners required for specified loads.
- 4 Girders are designed to be supported on the bottom edge only.
- 5 Top loads must be supported equally by all plies.
- 6 Top must be laterally braced at a maximum of 10'8 15/16" o.c.
- 7 Lateral slenderness ratio based on single ply width.

ID	Load Type	Location	Trib Width	Side	Dead 0.9	Live 1	Snow 1.15	Wind 1.6	Const. 1.25	Comments
1	Part. Uniform	0-0-0 to 10-9-0		Top	34 PLF	100 PLF	0 PLF	0 PLF	0 PLF	F1
2	Part. Uniform	0-0-0 to 10-9-0		Top	180 PLF	0 PLF	0 PLF	0 PLF	0 PLF	Wall
3	Part. Uniform	10-9-0 to 16-10-0		Top	60 PLF	0 PLF	60 PLF	0 PLF	0 PLF	M1
	Self Weight				9 PLF					

Notes

Calculated Structural Designs is responsible only of the structural adequacy of this component based on the design criteria and loadings shown. It is the responsibility of the customer and/or the contractor to ensure the component suitability of the intended application, and to verify the dimensions and loads.

Lumber

1. Dry service conditions, unless noted otherwise
2. LVL not to be treated with fire retardant or corrosive chemicals

Handling & Installation

1. LVL beams must not be cut or drilled
2. Refer to manufacturer's product information regarding installation requirements, multi-ply fastening details, beam strength values, and code approvals
3. Damaged Beams must not be used
4. Design assumes top edge is laterally restrained
5. Provide lateral support at bearing points to avoid lateral displacement and rotation

6. For flat roofs provide proper drainage to prevent ponding

This design is valid until 6/28/2026

Manufacturer Info

Metsä Wood
 301 Merritt 7 Building, 2nd Floor
 Norwalk, CT 06851
 (800) 622-5850
www.metsawood.com/us

Comtech, Inc.
 1001 S Reilly Road
 Fayetteville
 Cumberland
 28314

GDH Kerto-S LVL 1.750" X 11.875" 2-Ply - PASSED

Level: Level



Multi-Ply Analysis

Fasten all plies using 2 rows of 10d Box nails (.128x3") at 12" o.c.. Maximum end distance not to exceed 6".

Capacity	0.0 %
Load	0.0 PLF
Yield Limit per Foot	163.7 PLF
Yield Limit per Fastener	81.9 lb.
C _m	1
Yield Mode	IV
Edge Distance	1 1/2"
Min. End Distance	3"
Load Combination	
Duration Factor	1.00

Notes

Calculated Structured Designs is responsible only of the structural adequacy of this component based on the design criteria and loadings shown. It is the responsibility of the customer and/or the contractor to ensure the component suitability of the intended application, and to verify the dimensions and loads.

Lumber

1. Dry service conditions, unless noted otherwise
2. LVL not to be treated with fire retardant or corrosive chemicals

Handling & Installation

1. LVL beams must not be cut or drilled
2. Refer to manufacturer's product information regarding installation requirements, multi-ply fastening details, beam strength values, and code approvals
3. Damaged Beams must not be used
4. Design assumes top edge is laterally restrained
5. Provide lateral support at bearing points to avoid lateral displacement and rotation

6. For flat roofs provide proper drainage to prevent ponding

This design is valid until 6/28/2026

Manufacturer Info

Metsä Wood
 301 Merritt 7 Building, 2nd Floor
 Norwalk, CT 06851
 (800) 622-5850
www.metsawood.com/us

Comtech, Inc.
 1001 S Reilly Road
 Fayetteville
 Cumberland
 28314

Trenco
818 Soundside Rd
Edenton, NC 27932

Re: J0524-2672
Lot 8 Overhill's Creek

The truss drawing(s) referenced below have been prepared by Truss Engineering Co. under my direct supervision based on the parameters provided by Comtech, Inc - Fayetteville.

Pages or sheets covered by this seal: I65449485 thru I65449499

My license renewal date for the state of North Carolina is December 31, 2024.

North Carolina COA: C-0844



May 9, 2024

Gilbert, Eric

IMPORTANT NOTE: The seal on these truss component designs is a certification that the engineer named is licensed in the jurisdiction(s) identified and that the designs comply with ANSI/TPI 1. These designs are based upon parameters shown (e.g., loads, supports, dimensions, shapes and design codes), which were given to MiTek or TRENCO. Any project specific information included is for MiTek's or TRENCO's customers file reference purpose only, and was not taken into account in the preparation of these designs. MiTek or TRENCO has not independently verified the applicability of the design parameters or the designs for any particular building. Before use, the building designer should verify applicability of design parameters and properly incorporate these designs into the overall building design per ANSI/TPI 1, Chapter 2.

Job J0524-2672	Truss ET1	Truss Type GABLE	Qty 1	Ply 1	Lot 8 Overhill's Creek Job Reference (optional)	165449485
-------------------	--------------	---------------------	----------	----------	--	-----------

Comtech, Inc. Fayetteville, NC - 28314,

8.430 s Jan 6 2022 MiTek Industries, Inc. Wed May 8 13:32:27 2024 Page 1
ID:L4ooqZl2lIBaFe1TmHvnKrzle?4-RfC?PsB70Hq3NSgPqnL8w3ulTXbGKWrcDoi7J4zJC?f

Q-1-8

Q-1-8

Scale = 1:10.8

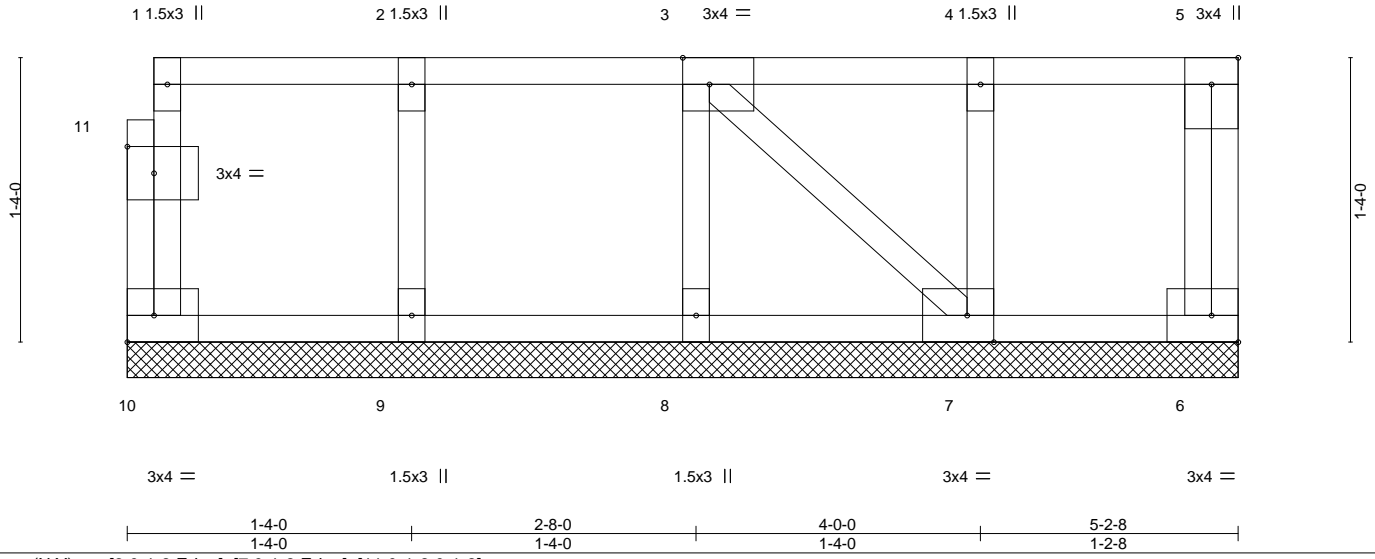


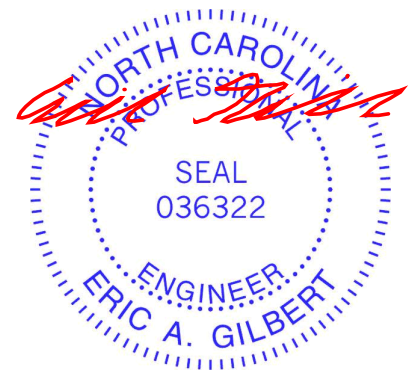
Plate Offsets (X,Y)--	[3:0-1-8,Edge], [7:0-1-8,Edge], [11:0-1-8,0-1-8]				
LOADING (psf)	SPACING- 2-0-0	CSI.	DEFL. in (loc) l/defl L/d	PLATES	GRIP
TCLL 40.0	Plate Grip DOL 1.00	TC 0.06	Vert(LL) n/a - n/a 999	MT20	244/190
TCDL 10.0	Lumber DOL 1.00	BC 0.01	Vert(CT) n/a - n/a 999		
BCLL 0.0	Rep Stress Incr YES	WB 0.03	Horz(CT) 0.00 6 n/a n/a		
BCDL 5.0	Code IRC2015/TPI2014	Matrix-P		Weight: 29 lb	FT = 20%F, 11%E

LUMBER-	BRACING-
TOP CHORD 2x4 SP No.1(flat)	TOP CHORD Structural wood sheathing directly applied or 5-2-8 oc purlins, except end verticals.
BOT CHORD 2x4 SP No.1(flat)	BOT CHORD Rigid ceiling directly applied or 10-0-0 oc bracing.
WEBS 2x4 SP No.3(flat)	
OTHERS 2x4 SP No.3(flat)	

REACTIONS. All bearings 5-2-8.
(lb) - Max Grav All reactions 250 lb or less at joint(s) 10, 6, 9, 8, 7

FORCES. (lb) - Max. Comp./Max. Ten. - All forces 250 (lb) or less except when shown.

- NOTES-**
- Plates checked for a plus or minus 1 degree rotation about its center.
 - Gable requires continuous bottom chord bearing.
 - Truss to be fully sheathed from one face or securely braced against lateral movement (i.e. diagonal web).
 - Gable studs spaced at 1-4-0 oc.
 - Recommend 2x6 strongbacks, on edge, spaced at 10-0-0 oc and fastened to each truss with 3-10d (0.131" X 3") nails. Strongbacks to be attached to walls at their outer ends or restrained by other means.



May 9, 2024

Job J0524-2672	Truss ET2	Truss Type GABLE	Qty 1	Ply 1	Lot 8 Overhill's Creek 165449486 Job Reference (optional)
-------------------	--------------	---------------------	----------	----------	---

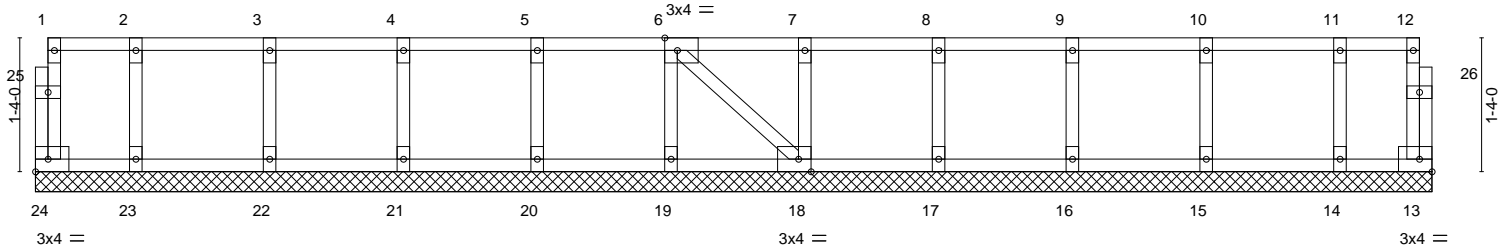
Comtech, Inc. Fayetteville, NC - 28314,

8.430 s Jan 6 2022 MiTek Industries, Inc. Wed May 8 13:32:28 2024 Page 1
ID:L4ooqZl2lBaFe1TmHvnKrzle?4-RfC?PsB70Hq3NSgPqnL8w3ulTXbGKWrCDoi7J4zJC?f

0₁8

0₁8

Scale = 1:23.0



1-0-0	2-4-0	3-8-0	5-0-0	6-4-0	7-8-0	9-0-0	10-4-0	11-8-0	13-0-0	13-11-0
1-0-0	1-4-0	1-4-0	1-4-0	1-4-0	1-4-0	1-4-0	1-4-0	1-4-0	1-4-0	0-11-0

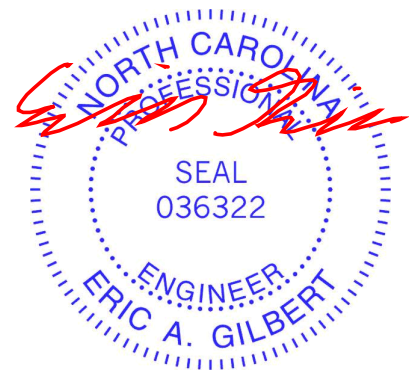
Plate Offsets (X,Y)-- [6:0-1-8,Edge], [18:0-1-8,Edge]									
LOADING (psf)	SPACING-	2-0-0	CSI.	DEFL.	in (loc)	l/defl	L/d	PLATES	GRIP
TCLL 40.0	Plate Grip DOL	1.00	TC 0.06	Vert(LL)	n/a	-	n/a	MT20	244/190
TCDL 10.0	Lumber DOL	1.00	BC 0.01	Vert(CT)	n/a	-	n/a		
BCLL 0.0	Rep Stress Incr	YES	WB 0.03	Horz(CT)	0.00	13	n/a		
BCDL 5.0	Code IRC2015/TPI2014		Matrix-S						
								Weight: 65 lb	FT = 20%F, 11%E

LUMBER-		BRACING-	
TOP CHORD	2x4 SP No.1(flat)	TOP CHORD	Structural wood sheathing directly applied or 6-0-0 oc purlins, except end verticals.
BOT CHORD	2x4 SP No.1(flat)	BOT CHORD	Rigid ceiling directly applied or 10-0-0 oc bracing.
WEBS	2x4 SP No.3(flat)		
OTHERS	2x4 SP No.3(flat)		

REACTIONS. All bearings 13-11-0.
(lb) - Max Grav All reactions 250 lb or less at joint(s) 24, 13, 23, 22, 21, 20, 19, 18, 17, 16, 15, 14

FORCES. (lb) - Max. Comp./Max. Ten. - All forces 250 (lb) or less except when shown.

- NOTES-**
- All plates are 1.5x3 MT20 unless otherwise indicated.
 - Plates checked for a plus or minus 1 degree rotation about its center.
 - Gable requires continuous bottom chord bearing.
 - Truss to be fully sheathed from one face or securely braced against lateral movement (i.e. diagonal web).
 - Gable studs spaced at 1-4-0 oc.
 - Recommend 2x6 strongbacks, on edge, spaced at 10-0-0 oc and fastened to each truss with 3-10d (0.131" X 3") nails. Strongbacks to be attached to walls at their outer ends or restrained by other means.



May 9, 2024

<p>WARNING - Verify design parameters and READ NOTES ON THIS AND INCLUDED MITEK REFERENCE PAGE MII-7473 rev. 1/2/2023 BEFORE USE.</p> <p>Design valid for use only with MiTek® connectors. This design is based only upon parameters shown, and is for an individual building component, not a truss system. Before use, the building designer must verify the applicability of design parameters and properly incorporate this design into the overall building design. Bracing indicated is to prevent buckling of individual truss web and/or chord members only. Additional temporary and permanent bracing is always required for stability and to prevent collapse with possible personal injury and property damage. For general guidance regarding the fabrication, storage, delivery, erection and bracing of trusses and truss systems, see ANSI/TPH Quality Criteria and DSB-22 available from Truss Plate Institute (www.tpinst.org) and BCSI Building Component Safety Information available from the Structural Building Component Association (www.sbcacomponents.com)</p>	<p>ENGINEERING BY</p> <p>TRENCO</p> <p>A MiTek Affiliate</p> <p>818 Soundside Road Edenton, NC 27932</p>
--	---

Job J0524-2672	Truss ET3	Truss Type GABLE	Qty 1	Ply 1	Lot 8 Overhill's Creek Job Reference (optional)	I65449487
-------------------	--------------	---------------------	----------	----------	--	-----------

Comtech, Inc. Fayetteville, NC - 28314,

8.430 s Jan 6 2022 MiTek Industries, Inc. Wed May 8 13:32:28 2024 Page 1
ID:L4ooqZl2lIBaFe1TmHvnKrzle?4-RfC?PsB70Hq3NSgPqnL8w3ulTXbGKWrCDoi7J4zJC?f

0.1-8

Scale = 1:17.5

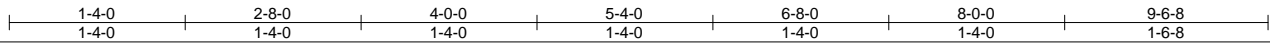
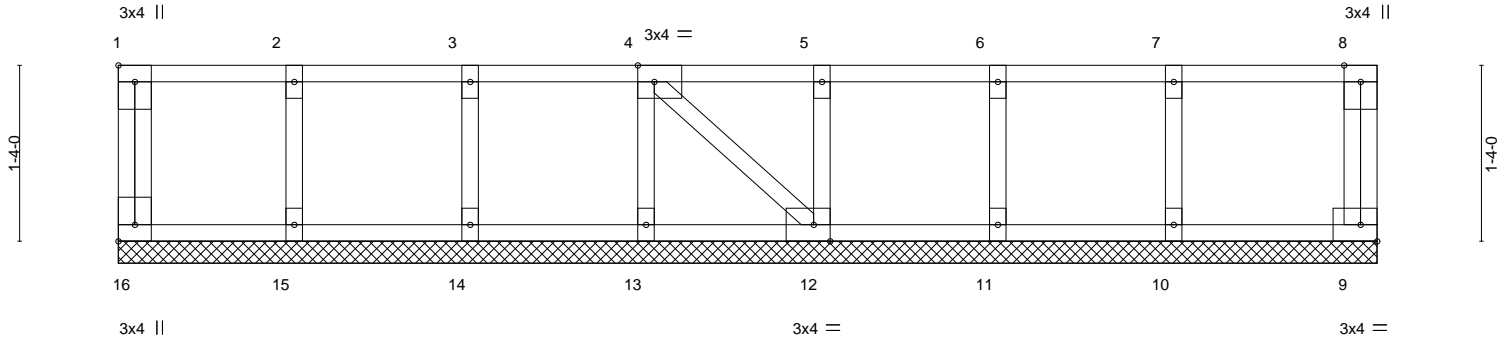


Plate Offsets (X, Y)-- [1:Edge,0-1-8], [4:0-1-8,Edge], [12:0-1-8,Edge], [16:Edge,0-1-8]									
LOADING (psf)	SPACING-	2-0-0	CSI.	DEFL.	in (loc)	l/defl	L/d	PLATES	GRIP
TCLL 40.0	Plate Grip DOL	1.00	TC 0.07	Vert(LL)	n/a	-	n/a	MT20	244/190
TCDL 10.0	Lumber DOL	1.00	BC 0.01	Vert(CT)	n/a	-	n/a		
BCLL 0.0	Rep Stress Incr	YES	WB 0.04	Horz(CT)	0.00	12	n/a		
BCDL 5.0	Code IRC2015/TPI2014		Matrix-S						
								Weight: 47 lb	FT = 20%F, 11%E

LUMBER-	BRACING-
TOP CHORD 2x4 SP No.1(flat)	TOP CHORD Structural wood sheathing directly applied or 9-6-8 oc purlins, except end verticals.
BOT CHORD 2x4 SP No.1(flat)	BOT CHORD Rigid ceiling directly applied or 10-0-0 oc bracing.
WEBS 2x4 SP No.3(flat)	
OTHERS 2x4 SP No.3(flat)	

REACTIONS. All bearings 9-6-8.
(lb) - Max Grav All reactions 250 lb or less at joint(s) 16, 9, 15, 14, 13, 12, 11, 10

FORCES. (lb) - Max. Comp./Max. Ten. - All forces 250 (lb) or less except when shown.

- NOTES-**
- All plates are 1.5x3 MT20 unless otherwise indicated.
 - Plates checked for a plus or minus 1 degree rotation about its center.
 - Gable requires continuous bottom chord bearing.
 - Truss to be fully sheathed from one face or securely braced against lateral movement (i.e. diagonal web).
 - Gable studs spaced at 1-4-0 oc.
 - Recommend 2x6 strongbacks, on edge, spaced at 10-0-0 oc and fastened to each truss with 3-10d (0.131" X 3") nails. Strongbacks to be attached to walls at their outer ends or restrained by other means.
 - CAUTION, Do not erect truss backwards.



May 9, 2024

<p>WARNING - Verify design parameters and READ NOTES ON THIS AND INCLUDED MITEK REFERENCE PAGE MII-7473 rev. 1/2/2023 BEFORE USE.</p> <p>Design valid for use only with MiTek® connectors. This design is based only upon parameters shown, and is for an individual building component, not a truss system. Before use, the building designer must verify the applicability of design parameters and properly incorporate this design into the overall building design. Bracing indicated is to prevent buckling of individual truss web and/or chord members only. Additional temporary and permanent bracing is always required for stability and to prevent collapse with possible personal injury and property damage. For general guidance regarding the fabrication, storage, delivery, erection and bracing of trusses and truss systems, see ANSI/TPH Quality Criteria and DSB-22 available from Truss Plate Institute (www.tpinst.org) and BCSI Building Component Safety Information available from the Structural Building Component Association (www.sbcacomponents.com)</p>	<p>ENGINEERING BY</p> <p>A MiTek Affiliate</p> <p>818 Soundside Road Edenton, NC 27932</p>
--	--

Job J0524-2672	Truss ET4	Truss Type GABLE	Qty 1	Ply 1	Lot 8 Overhill's Creek Job Reference (optional)	I65449488
-------------------	--------------	---------------------	----------	----------	--	-----------

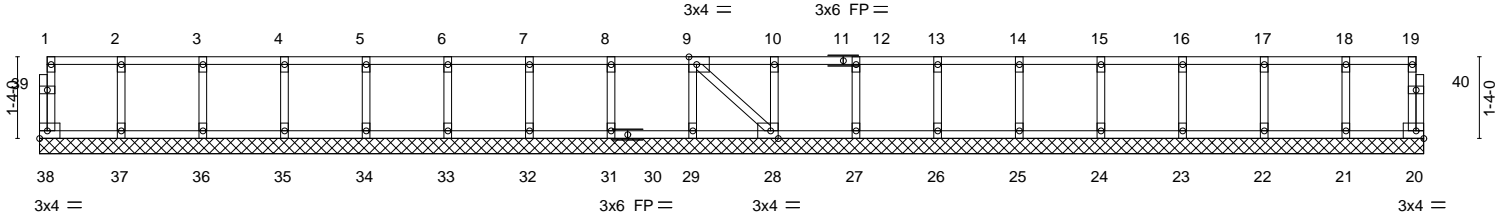
Comtech, Inc. Fayetteville, NC - 28314,

8.430 s Jan 6 2022 MiTek Industries, Inc. Wed May 8 13:32:28 2024 Page 1
ID:L4ooqZl2lBaFe1TmHvnKrzle?4-RfC?PsB70Hq3NSgPqnL8w3ulTXbGKWrCDoi7J4zJC?f

0-1-8

0-1-8

Scale = 1:37.6



1-4-0	2-8-0	4-0-0	5-4-0	6-8-0	8-0-0	9-4-0	10-8-0	12-0-0	13-4-0	14-8-0	16-0-0	17-4-0	18-8-0	20-0-0	21-4-0	22-7-4
1-4-0	1-4-0	1-4-0	1-4-0	1-4-0	1-4-0	1-4-0	1-4-0	1-4-0	1-4-0	1-4-0	1-4-0	1-4-0	1-4-0	1-4-0	1-4-0	1-3-4

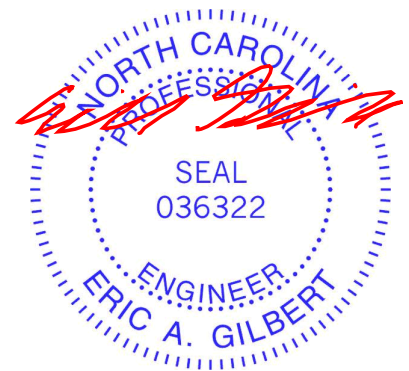
Plate Offsets (X,Y)-- [9:0-1-8,Edge], [28:0-1-8,Edge]		LOADING (psf)		SPACING-		CSI.		DEFL.				PLATES		GRIP	
TCLL	40.0	Plate Grip DOL	1.00	TC	0.06	Vert(LL)	n/a	in (loc)	l/defl	L/d	MT20	244/190	Weight: 101 lb FT = 20%F, 11%E		
TCDL	10.0	Lumber DOL	1.00	BC	0.01	Vert(CT)	n/a	-	n/a	999					
BCLL	0.0	Rep Stress Incr	YES	WB	0.03	Horz(CT)	0.00	20	n/a	n/a					
BCDL	5.0	Code IRC2015/TPI2014		Matrix-S											

LUMBER-	BRACING-
TOP CHORD 2x4 SP No.1(flat)	TOP CHORD Structural wood sheathing directly applied or 6-0-0 oc purlins, except end verticals.
BOT CHORD 2x4 SP No.1(flat)	BOT CHORD Rigid ceiling directly applied or 10-0-0 oc bracing.
WEBS 2x4 SP No.3(flat)	
OTHERS 2x4 SP No.3(flat)	

REACTIONS. All bearings 22-7-4.
(lb) - Max Grav All reactions 250 lb or less at joint(s) 38, 20, 37, 36, 35, 34, 33, 32, 31, 29, 28, 27, 26, 25, 24, 23, 22, 21

FORCES. (lb) - Max. Comp./Max. Ten. - All forces 250 (lb) or less except when shown.

- NOTES-**
- 1) All plates are 1.5x3 MT20 unless otherwise indicated.
 - 2) Plates checked for a plus or minus 1 degree rotation about its center.
 - 3) Gable requires continuous bottom chord bearing.
 - 4) Truss to be fully sheathed from one face or securely braced against lateral movement (i.e. diagonal web).
 - 5) Gable studs spaced at 1-4-0 oc.
 - 6) Recommend 2x6 strongbacks, on edge, spaced at 10-0-0 oc and fastened to each truss with 3-10d (0.131" X 3") nails. Strongbacks to be attached to walls at their outer ends or restrained by other means.



May 9, 2024

<p>WARNING - Verify design parameters and READ NOTES ON THIS AND INCLUDED MITEK REFERENCE PAGE MII-7473 rev. 1/2/2023 BEFORE USE.</p> <p>Design valid for use only with MiTek® connectors. This design is based only upon parameters shown, and is for an individual building component, not a truss system. Before use, the building designer must verify the applicability of design parameters and properly incorporate this design into the overall building design. Bracing indicated is to prevent buckling of individual truss web and/or chord members only. Additional temporary and permanent bracing is always required for stability and to prevent collapse with possible personal injury and property damage. For general guidance regarding the fabrication, storage, delivery, erection and bracing of trusses and truss systems, see ANSI/TPH Quality Criteria and DSB-22 available from Truss Plate Institute (www.tpinst.org) and BCSI Building Component Safety Information available from the Structural Building Component Association (www.sbcacomponents.com)</p>	<p>ENGINEERING BY</p> <p>TRENCO</p> <p>A MITEK Affiliate</p> <p>818 Soundside Road Edenton, NC 27932</p>
--	---

Job	Truss	Truss Type	Qty	Ply	Lot 8 Overhill's Creek
J0524-2672	ET5	GABLE	1	1	165449489
					Job Reference (optional)

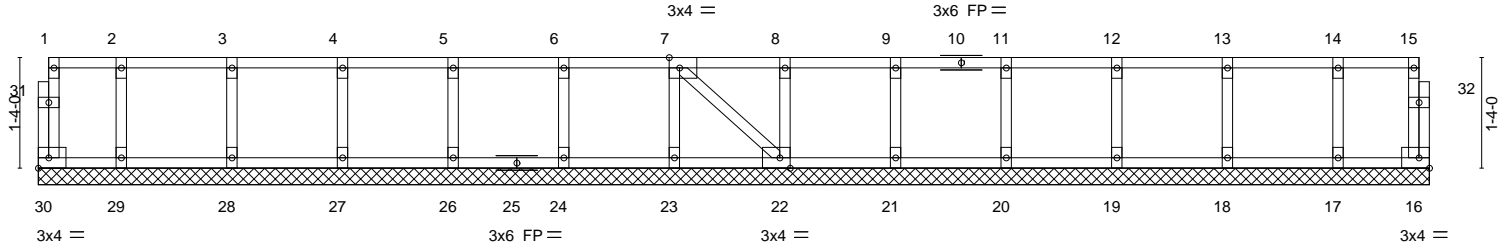
Comtech, Inc. Fayetteville, NC - 28314,

8.430 s Jan 6 2022 MiTek Industries, Inc. Wed May 8 13:32:29 2024 Page 1
ID:L4ooqZlIIBaFe1TmHvnKrzle?4-RfC?PsB70Hq3NSgPqnL8w3ulTXbGKWrCDoi7J4zJC?f

0-1-8

0-1-8

Scale = 1:27.8



1-0-0	2-4-0	3-8-0	5-0-0	6-4-0	7-8-0	9-0-0	10-4-0	11-8-0	13-0-0	14-4-0	15-8-0	16-9-3
1-0-0	1-4-0	1-4-0	1-4-0	1-4-0	1-4-0	1-4-0	1-4-0	1-4-0	1-4-0	1-4-0	1-4-0	1-1-3
Plate Offsets (X,Y)-- [7:0-1-8,Edge], [22:0-1-8,Edge]												

LOADING (psf)	SPACING-	2-0-0	CSI.	DEFL.	in (loc)	l/defl	L/d	PLATES	GRIP
TCLL 40.0	Plate Grip DOL	1.00	TC 0.06	Vert(LL)	n/a	-	n/a	MT20	244/190
TCDL 10.0	Lumber DOL	1.00	BC 0.01	Vert(CT)	n/a	-	n/a		
BCLL 0.0	Rep Stress Incr	YES	WB 0.03	Horz(CT)	0.00	16	n/a		
BCDL 5.0	Code IRC2015/TPI2014		Matrix-S						
								Weight: 77 lb	FT = 20%F, 11%E

LUMBER-	BRACING-
TOP CHORD 2x4 SP No.1(flat)	TOP CHORD Structural wood sheathing directly applied or 6-0-0 oc purlins, except end verticals.
BOT CHORD 2x4 SP No.1(flat)	BOT CHORD Rigid ceiling directly applied or 10-0-0 oc bracing.
WEBS 2x4 SP No.3(flat)	
OTHERS 2x4 SP No.3(flat)	

REACTIONS. All bearings 16-9-3.
(lb) - Max Grav All reactions 250 lb or less at joint(s) 30, 16, 29, 28, 27, 26, 24, 23, 22, 21, 20, 19, 18, 17

FORCES. (lb) - Max. Comp./Max. Ten. - All forces 250 (lb) or less except when shown.

- NOTES-**
- All plates are 1.5x3 MT20 unless otherwise indicated.
 - Plates checked for a plus or minus 1 degree rotation about its center.
 - Gable requires continuous bottom chord bearing.
 - Truss to be fully sheathed from one face or securely braced against lateral movement (i.e. diagonal web).
 - Gable studs spaced at 1-4-0 oc.
 - Recommend 2x6 strongbacks, on edge, spaced at 10-0-0 oc and fastened to each truss with 3-10d (0.131" X 3") nails. Strongbacks to be attached to walls at their outer ends or restrained by other means.



May 9, 2024

Job J0524-2672	Truss F1	Truss Type Floor	Qty 6	Ply 1	Lot 8 Overhill's Creek I65449490
-------------------	-------------	---------------------	----------	----------	-------------------------------------

Comtech, Inc. Fayetteville, NC - 28314,

8.430 s Jan 6 2022 MiTek Industries, Inc. Wed May 8 13:32:29 2024 Page 1
ID:L4ooqZl2lIBaFe1TmHvnKrzle?4-RfC?PsB70Hq3NSgPqnL8w3ulTXbGKWrCDoi7J4zJC?f

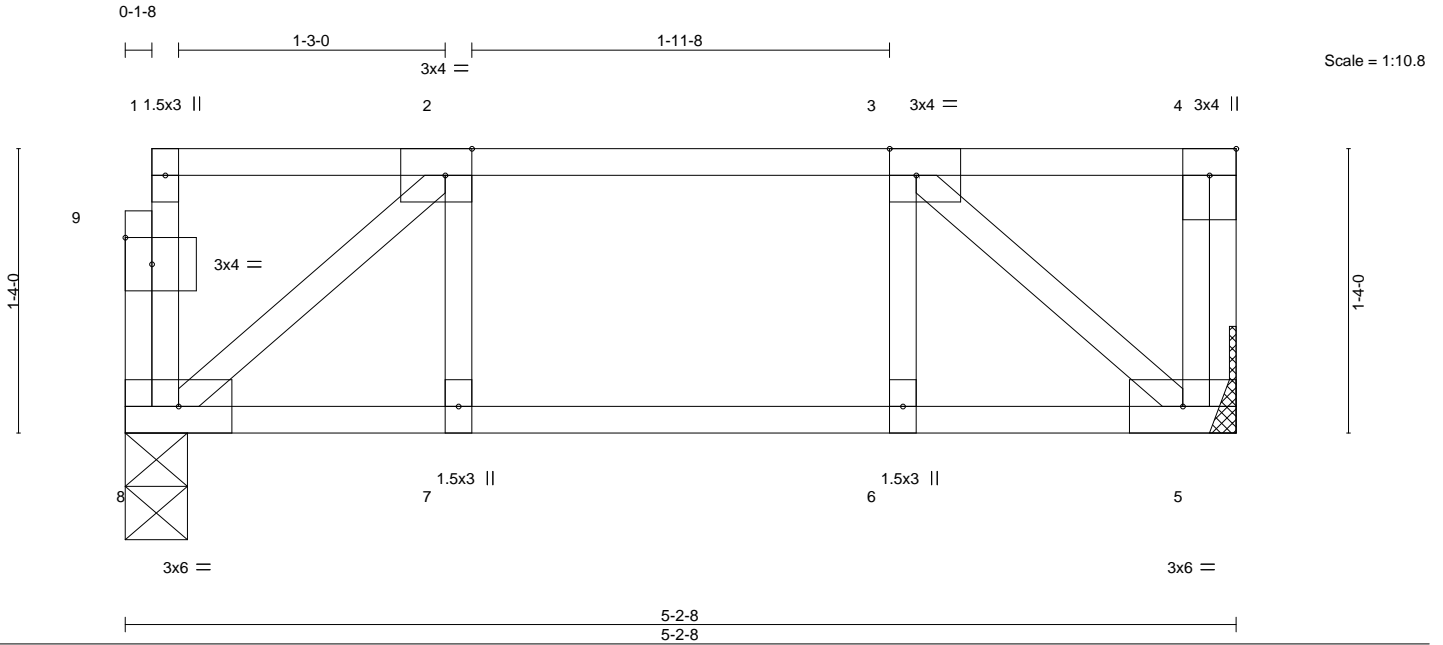


Plate Offsets (X,Y)-- [2:0-1-8,Edge], [3:0-1-8,Edge], [9:0-1-8,0-1-8]

LOADING (psf)	SPACING-	2-0-0	CSI.	DEFL.	in (loc)	l/defl	L/d	PLATES	GRIP
TCLL 40.0	Plate Grip DOL	1.00	TC 0.15	Vert(LL)	-0.01	6	>999	MT20	244/190
TCDL 10.0	Lumber DOL	1.00	BC 0.10	Vert(CT)	-0.01	6	>999		
BCLL 0.0	Rep Stress Incr	YES	WB 0.08	Horz(CT)	0.00	5	n/a		
BCDL 5.0	Code IRC2015/TP12014		Matrix-S						

Weight: 30 lb FT = 20%F, 11%E

LUMBER-	BRACING-
TOP CHORD 2x4 SP No.1(flat)	TOP CHORD Structural wood sheathing directly applied or 5-2-8 oc purlins, except end verticals.
BOT CHORD 2x4 SP No.1(flat)	BOT CHORD Rigid ceiling directly applied or 10-0-0 oc bracing.
WEBS 2x4 SP No.3(flat)	


REACTIONS. (size) 8=0-3-8, 5=Mechanical
Max Grav 8=266(LC 1), 5=273(LC 1)

FORCES. (lb) - Max. Comp./Max. Ten. - All forces 250 (lb) or less except when shown.
TOP CHORD 2-3=-258/0
BOT CHORD 7-8=0/258, 6-7=0/258, 5-6=0/258
WEBS 2-8=-334/0, 3-5=-337/0

- NOTES-**
- 1) Unbalanced floor live loads have been considered for this design.
 - 2) Plates checked for a plus or minus 1 degree rotation about its center.
 - 3) Refer to girder(s) for truss to truss connections.
 - 4) Recommend 2x6 strongbacks, on edge, spaced at 10-0-0 oc and fastened to each truss with 3-10d (0.131" X 3") nails. Strongbacks to be attached to walls at their outer ends or restrained by other means.
 - 5) CAUTION, Do not erect truss backwards.



May 9, 2024

<p>WARNING - Verify design parameters and READ NOTES ON THIS AND INCLUDED MITEK REFERENCE PAGE MII-7473 rev. 1/2/2023 BEFORE USE.</p> <p>Design valid for use only with MiTek® connectors. This design is based only upon parameters shown, and is for an individual building component, not a truss system. Before use, the building designer must verify the applicability of design parameters and properly incorporate this design into the overall building design. Bracing indicated is to prevent buckling of individual truss web and/or chord members only. Additional temporary and permanent bracing is always required for stability and to prevent collapse with possible personal injury and property damage. For general guidance regarding the fabrication, storage, delivery, erection and bracing of trusses and truss systems, see ANSI/TP1 Quality Criteria and DSB-22 available from Truss Plate Institute (www.tpinst.org) and BCSI Building Component Safety Information available from the Structural Building Component Association (www.sbcacomponents.com)</p>	 <p>818 Soundside Road Edenton, NC 27932</p>
--	---

Job J0524-2672	Truss F2	Truss Type Floor	Qty 1	Ply 1	Lot 8 Overhill's Creek Job Reference (optional)	165449492
-------------------	-------------	---------------------	----------	----------	--	-----------

Comtech, Inc. Fayetteville, NC - 28314,

8.430 s Jan 6 2022 MiTek Industries, Inc. Wed May 8 13:32:31 2024 Page 1
ID:L4ooqZl2lIBaFe1TmHvnKrzle?4-RfC?PsB70Hq3NSgPqnL8w3ulTXbGKWrCDoi7J4zJC?f

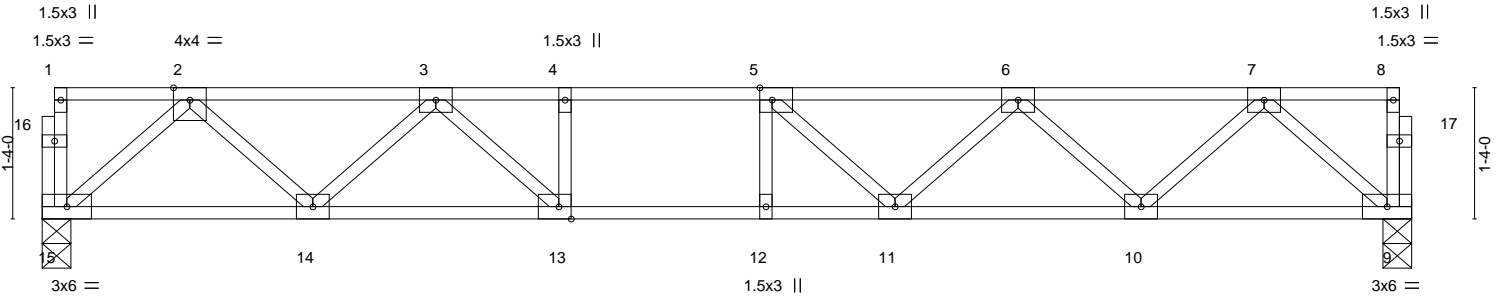
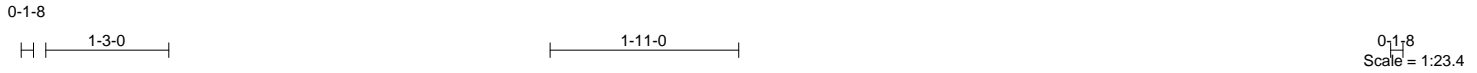


Plate Offsets (X, Y)--	[5:0-1-8,Edge], [13:0-1-8,Edge]								
LOADING (psf)	SPACING-	2-0-0	CSI.	DEFL.	in (loc)	l/defl	L/d	PLATES	GRIP
TCLL 40.0	Plate Grip DOL 1.00		TC 0.51	Vert(LL) -0.13	11-12	>999	480	MT20	244/190
TCDL 10.0	Lumber DOL 1.00		BC 0.77	Vert(CT) -0.17	11-12	>986	360		
BCLL 0.0	Rep Stress Incr NO		WB 0.42	Horz(CT) 0.03	9	n/a	n/a		
BCDL 5.0	Code IRC2015/TPI2014		Matrix-S						
								Weight: 72 lb	FT = 20%F, 11%E

LUMBER-	BRACING-
TOP CHORD 2x4 SP No.1(flat)	TOP CHORD Structural wood sheathing directly applied or 6-0-0 oc purlins, except end verticals.
BOT CHORD 2x4 SP No.1(flat)	BOT CHORD Rigid ceiling directly applied or 10-0-0 oc bracing.
WEBS 2x4 SP No.3(flat)	

REACTIONS. (size) 15=0-3-8, 9=0-3-8
Max Grav 15=1204(LC 1), 9=797(LC 1)

FORCES. (lb) - Max. Comp./Max. Ten. - All forces 250 (lb) or less except when shown.
TOP CHORD 2-3=-1752/0, 3-4=-2397/0, 4-5=-2397/0, 5-6=-2179/0, 6-7=-1406/0
BOT CHORD 14-15=0/1316, 13-14=0/2168, 12-13=0/2397, 11-12=0/2397, 10-11=0/1934, 9-10=0/851
WEBS 2-15=-1750/0, 2-14=0/606, 3-14=-579/0, 3-13=-4/569, 7-9=-1130/0, 7-10=0/773, 6-10=-734/0, 6-11=0/417, 5-11=-486/0, 4-13=-256/0

- NOTES-**
- 1) Unbalanced floor live loads have been considered for this design.
 - 2) All plates are 3x4 MT20 unless otherwise indicated.
 - 3) Plates checked for a plus or minus 1 degree rotation about its center.
 - 4) Recommend 2x6 strongbacks, on edge, spaced at 10-0-0 oc and fastened to each truss with 3-10d (0.131" X 3") nails. Strongbacks to be attached to walls at their outer ends or restrained by other means.
 - 5) Hanger(s) or other connection device(s) shall be provided sufficient to support concentrated load(s) 510 lb down at 1-8-0 on top chord. The design/selection of such connection device(s) is the responsibility of others.
 - 6) In the LOAD CASE(S) section, loads applied to the face of the truss are noted as front (F) or back (B).

LOAD CASE(S) Standard
1) Dead + Floor Live (balanced): Lumber Increase=1.00, Plate Increase=1.00
Uniform Loads (plf)
Vert: 9-15=-10, 1-8=-100
Concentrated Loads (lb)
Vert: 2=-510(F)



<p>WARNING - Verify design parameters and READ NOTES ON THIS AND INCLUDED MITEK REFERENCE PAGE MII-7473 rev. 1/2/2023 BEFORE USE. Design valid for use only with MiTek® connectors. This design is based only upon parameters shown, and is for an individual building component, not a truss system. Before use, the building designer must verify the applicability of design parameters and properly incorporate this design into the overall building design. Bracing indicated is to prevent buckling of individual truss web and/or chord members only. Additional temporary and permanent bracing is always required for stability and to prevent collapse with possible personal injury and property damage. For general guidance regarding the fabrication, storage, delivery, erection and bracing of trusses and truss systems, see ANSI/TPH Quality Criteria and DSB-22 available from Truss Plate Institute (www.tpinst.org) and BCSI Building Component Safety Information available from the Structural Building Component Association (www.sbcacomponents.com)</p>	<p>ENGINEERING BY TRENCO A MiTek Affiliate</p> <p>818 Soundside Road Edenton, NC 27932</p>
---	---

Job J0524-2672	Truss F3	Truss Type Floor	Qty 5	Ply 1	Lot 8 Overhill's Creek 165449493
-------------------	-------------	---------------------	----------	----------	-------------------------------------

Comtech, Inc. Fayetteville, NC - 28314,

8.430 s Jan 6 2022 MiTek Industries, Inc. Wed May 8 13:32:32 2024 Page 1
ID:L4ooqZl2lIBaFe1TmHvnKrzle?4-RfC?PsB70Hq3NSgPqnL8w3ulTXbGKWrCDoi7J4zJC?f

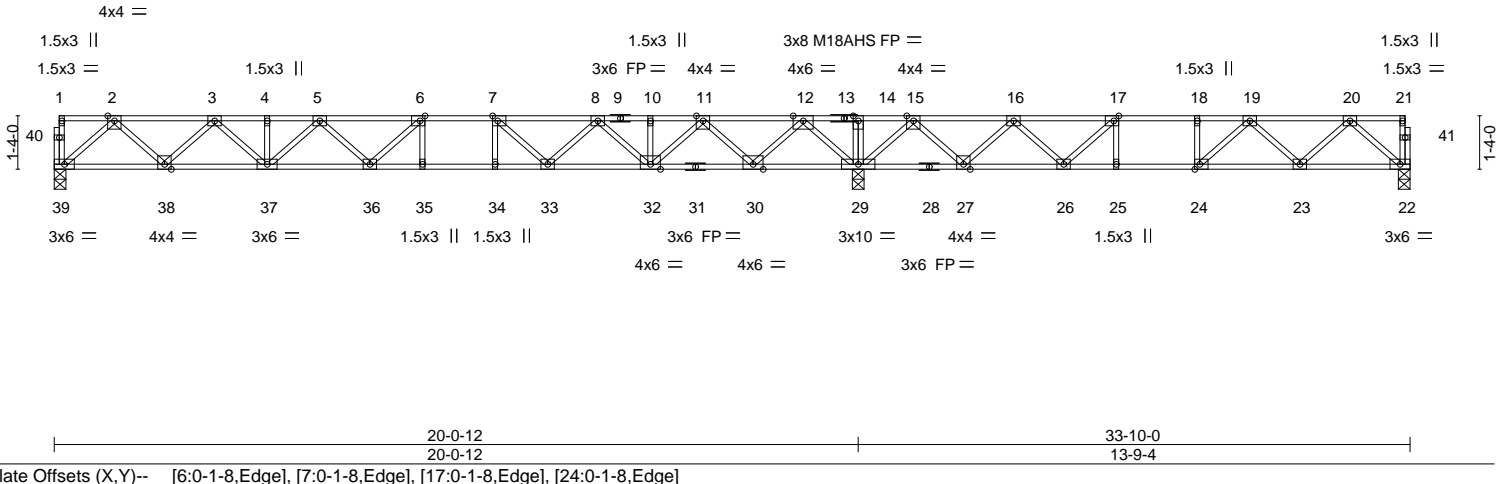


Plate Offsets (X, Y)--	[6:0-1-8,Edge], [7:0-1-8,Edge], [17:0-1-8,Edge], [24:0-1-8,Edge]				
LOADING (psf)	SPACING- 2-0-0	CSI.	DEFL. in (loc) l/defl L/d	PLATES	GRIP
TCLL 40.0	Plate Grip DOL 1.00	TC 0.64	Vert(LL) -0.26 35-36 >910 480	MT20	244/190
TCDL 10.0	Lumber DOL 1.00	BC 0.72	Vert(CT) -0.36 35-36 >674 360	M18AHS	186/179
BCLL 0.0	Rep Stress Incr YES	WB 0.67	Horz(CT) 0.05 29 n/a n/a		
BCDL 5.0	Code IRC2015/TPI2014	Matrix-S		Weight: 176 lb	FT = 20%F, 11%E

LUMBER-		BRACING-	
TOP CHORD 2x4 SP No.1(flat)		TOP CHORD	Structural wood sheathing directly applied or 6-0-0 oc purlins, except end verticals.
BOT CHORD 2x4 SP 2400F 2.0E(flat)		BOT CHORD	Rigid ceiling directly applied or 6-0-0 oc bracing.
WEBS 2x4 SP No.3(flat)			

REACTIONS. (size) 39=0-3-8, 22=0-3-8, 29=0-3-8
Max Grav 39=959(LC 3), 22=627(LC 4), 29=2257(LC 1)

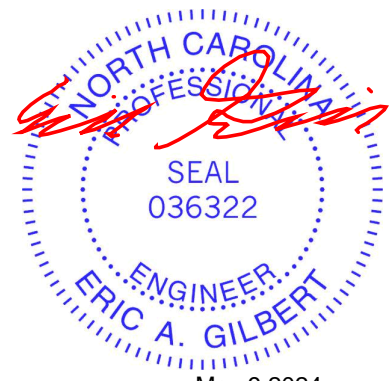
FORCES. (lb) - Max. Comp./Max. Ten. - All forces 250 (lb) or less except when shown.

TOP CHORD 2-3=-1754/0, 3-4=-2904/0, 4-5=-2904/0, 5-6=-3416/0, 6-7=-3426/0, 7-8=-2936/0, 8-10=-1881/26, 10-11=-1881/26, 11-12=-159/592, 12-14=0/2752, 14-15=0/2752, 15-16=-219/1390, 16-17=-1133/805, 17-18=-1474/413, 18-19=-1474/413, 19-20=-1037/36

BOT CHORD 38-39=0/1040, 37-38=0/2437, 36-37=0/3309, 35-36=0/3426, 34-35=0/3426, 33-34=0/3426, 32-33=0/2526, 30-32=-292/1118, 29-30=-1396/0, 27-29=-1790/0, 26-27=-1092/809, 25-26=-413/1474, 24-25=-413/1474, 23-24=-153/1370, 22-23=-1/665

WEBS 2-39=-1382/0, 2-38=0/994, 3-38=-950/0, 3-37=0/634, 12-29=-1805/0, 12-30=0/1414, 11-30=-1390/0, 11-32=0/1094, 8-32=-924/0, 8-33=0/668, 7-33=-904/0, 5-37=-552/0, 5-36=-85/252, 6-36=-260/365, 6-35=-329/57, 7-34=-30/356, 20-22=-883/2, 20-23=-49/518, 19-23=-462/162, 19-24=-366/142, 15-29=-1400/0, 15-27=0/1025, 16-27=-982/0, 16-26=0/658, 17-26=-865/0, 17-25=0/291

- NOTES-**
- 1) Unbalanced floor live loads have been considered for this design.
 - 2) All plates are MT20 plates unless otherwise indicated.
 - 3) All plates are 3x4 MT20 unless otherwise indicated.
 - 4) Plates checked for a plus or minus 1 degree rotation about its center.
 - 5) Recommend 2x6 strongbacks, on edge, spaced at 10-0-0 oc and fastened to each truss with 3-10d (0.131" X 3") nails. Strongbacks to be attached to walls at their outer ends or restrained by other means.
 - 6) CAUTION, Do not erect truss backwards.



Job J0524-2672	Truss F4	Truss Type Floor	Qty 3	Ply 1	Lot 8 Overhill's Creek Job Reference (optional)	I65449494
-------------------	-------------	---------------------	----------	----------	--	-----------

Comtech, Inc. Fayetteville, NC - 28314,

8.430 s Jan 6 2022 MiTek Industries, Inc. Wed May 8 13:32:33 2024 Page 1
ID:L4ooqZl2lIBaFe1TmHvnKrzle?4-RfC?PsB70Hq3NSgPqnL8w3ulTXbGKWrCDoi7J4zJC?f

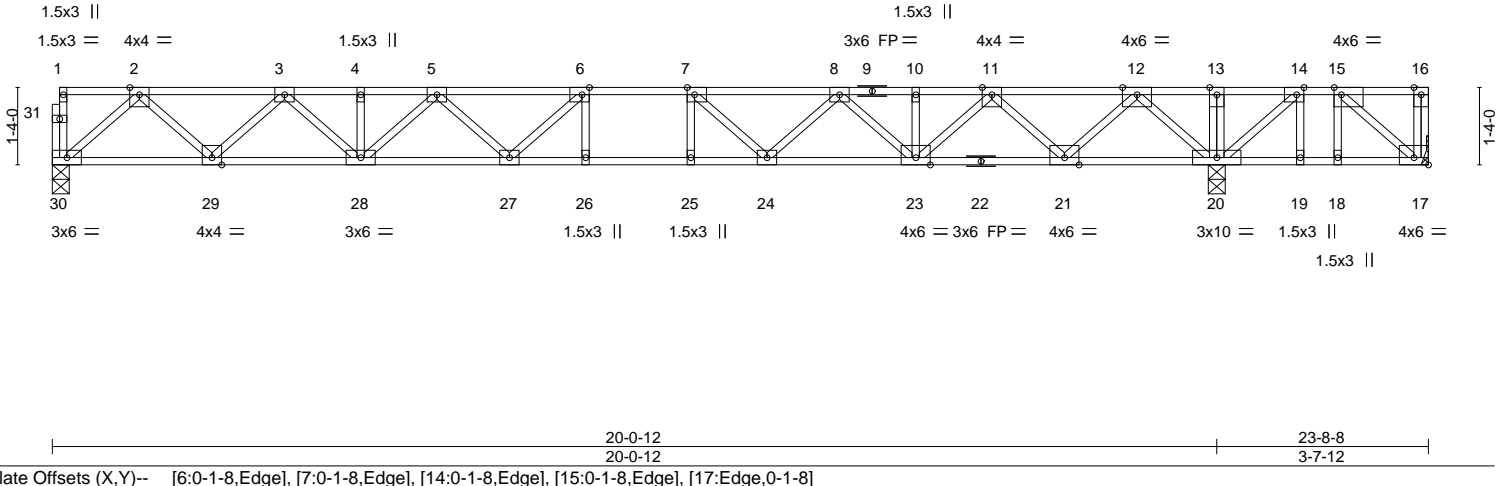


Plate Offsets (X,Y)--	[6:0-1-8,Edge], [7:0-1-8,Edge], [14:0-1-8,Edge], [15:0-1-8,Edge], [17:Edge,0-1-8]				
LOADING (psf)	SPACING- 2-0-0	CSI.	DEFL. in (loc) l/defl L/d	PLATES	GRIP
TCLL 40.0	Plate Grip DOL 1.00	TC 0.99	Vert(LL) -0.26 26-27 >934 480	MT20	244/190
TCDL 10.0	Lumber DOL 1.00	BC 0.68	Vert(CT) -0.35 26-27 >680 360		
BCLL 0.0	Rep Stress Incr YES	WB 0.69	Horz(CT) 0.04 20 n/a n/a		
BCDL 5.0	Code IRC2015/TP12014	Matrix-S			
				Weight: 129 lb	FT = 20%F, 11%E

LUMBER-
TOP CHORD 2x4 SP No.1(flat)
BOT CHORD 2x4 SP 2400F 2.0E(flat)
WEBS 2x4 SP No.3(flat)

BRACING-
TOP CHORD Structural wood sheathing directly applied, except end verticals.
BOT CHORD Rigid ceiling directly applied or 6-0-0 oc bracing.

REACTIONS. (size) 30=0-3-8, 17=Mechanical, 20=0-3-8
Max Uplift 17=-741(LC 3)
Max Grav 30=952(LC 10), 20=2227(LC 1)

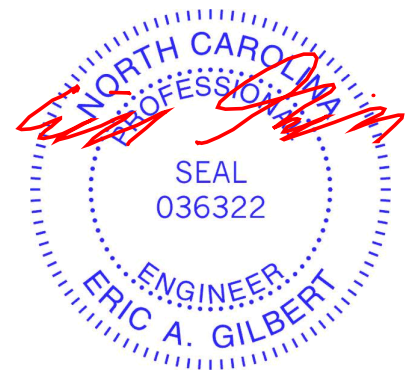
FORCES. (lb) - Max. Comp./Max. Ten. - All forces 250 (lb) or less except when shown.

TOP CHORD 2-3=-1738/0, 3-4=-2872/0, 4-5=-2872/0, 5-6=-3370/0, 6-7=-3366/0, 7-8=-2863/0, 8-10=-1792/0, 10-11=-1792/0, 12-13=0/2349, 13-14=0/2349, 14-15=0/1109

BOT CHORD 29-30=0/1031, 28-29=0/2414, 27-28=0/3271, 26-27=0/3366, 25-26=0/3366, 24-25=0/3366, 23-24=0/2444, 21-23=0/1022, 20-21=-990/0, 19-20=-1109/0, 18-19=-1109/0, 17-18=-1109/0

WEBS 2-30=-1371/0, 2-29=0/983, 3-29=-940/0, 3-28=0/623, 5-28=-543/0, 5-27=-27/300, 6-27=-335/275, 6-26=-287/92, 12-20=-1820/0, 12-21=0/1388, 11-21=-1344/0, 11-23=0/1051, 8-23=-891/0, 8-24=0/611, 7-24=-815/0, 7-25=-65/314, 15-17=0/1449, 14-20=-1722/0, 14-19=0/567, 15-18=-537/0

- NOTES-**
- 1) Unbalanced floor live loads have been considered for this design.
 - 2) All plates are 3x4 MT20 unless otherwise indicated.
 - 3) Plates checked for a plus or minus 1 degree rotation about its center.
 - 4) Refer to girder(s) for truss to truss connections.
 - 5) Provide mechanical connection (by others) of truss to bearing plate capable of withstanding 741 lb uplift at joint 17.
 - 6) Recommend 2x6 strongbacks, on edge, spaced at 10-0-0 oc and fastened to each truss with 3-10d (0.131" X 3") nails. Strongbacks to be attached to walls at their outer ends or restrained by other means.
 - 7) CAUTION, Do not erect truss backwards.



May 9, 2024

WARNING - Verify design parameters and READ NOTES ON THIS AND INCLUDED MITEK REFERENCE PAGE MII-7473 rev. 1/2/2023 BEFORE USE.
Design valid for use only with MiTek® connectors. This design is based only upon parameters shown, and is for an individual building component, not a truss system. Before use, the building designer must verify the applicability of design parameters and properly incorporate this design into the overall building design. Bracing indicated is to prevent buckling of individual truss web and/or chord members only. Additional temporary and permanent bracing is always required for stability and to prevent collapse with possible personal injury and property damage. For general guidance regarding the fabrication, storage, delivery, erection and bracing of trusses and truss systems, see **ANSI/TPH Quality Criteria and DSB-22** available from Truss Plate Institute (www.tpinst.org) and **BCSI Building Component Safety Information** available from the Structural Building Component Association (www.sbcacomponents.com)

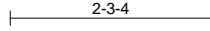
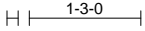


Job J0524-2672	Truss F5	Truss Type Floor	Qty 10	Ply 1	Lot 8 Overhill's Creek I65449495
-------------------	-------------	---------------------	-----------	----------	-------------------------------------

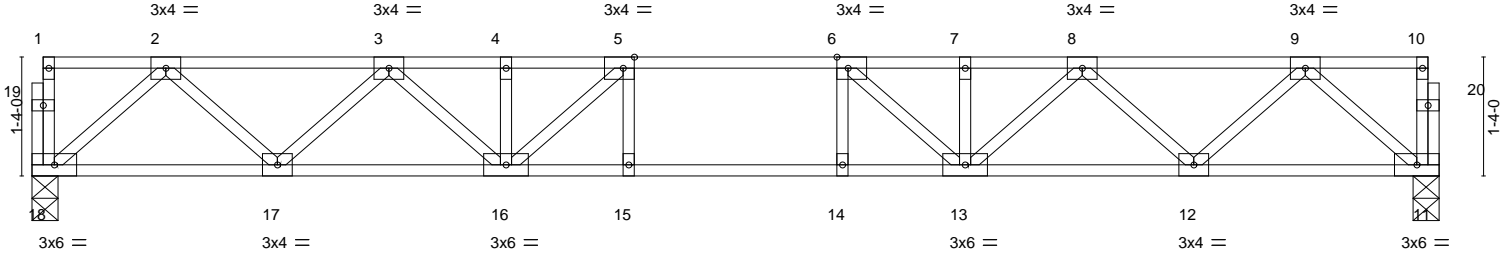
Comtech, Inc. Fayetteville, NC - 28314,

8.430 s Jan 6 2022 MiTek Industries, Inc. Wed May 8 13:32:33 2024 Page 1
ID:L4ooqZl2lIBaFe1TmHvnKrzle?4-RfC?PsB70Hq3NSgPqnL8w3ulTXbGKWrCDoi7J4zJC?f

0-1-8



0-1-8
Scale = 1:25.8



15-9-4
15-9-4

Plate Offsets (X,Y)-- [5:0-1-8,Edge], [6:0-1-8,Edge]

LOADING (psf)	SPACING-	2-0-0	CSI.	DEFL.	in (loc)	l/defl	L/d	PLATES	GRIP
TCLL 40.0	Plate Grip DOL	1.00	TC 0.45	Vert(LL)	-0.15 15-16	>999	480	MT20	244/190
TCDL 10.0	Lumber DOL	1.00	BC 0.68	Vert(CT)	-0.19 15-16	>960	360		
BCLL 0.0	Rep Stress Incr	YES	WB 0.40	Horz(CT)	0.04 11	n/a	n/a		
BCDL 5.0	Code IRC2015/TPI2014		Matrix-S						
								Weight: 84 lb	FT = 20%F, 11%E

LUMBER-	BRACING-
TOP CHORD 2x4 SP No.1(flat)	TOP CHORD Structural wood sheathing directly applied or 6-0-0 oc purlins, except end verticals.
BOT CHORD 2x4 SP No.1(flat)	BOT CHORD Rigid ceiling directly applied or 10-0-0 oc bracing.
WEBS 2x4 SP No.3(flat)	

REACTIONS. (size) 18=0-3-8, 11=0-3-8
Max Grav 18=847(LC 1), 11=847(LC 1)

FORCES. (lb) - Max. Comp./Max. Ten. - All forces 250 (lb) or less except when shown.
TOP CHORD 2-3=-1512/0, 3-4=-2434/0, 4-5=-2434/0, 5-6=-2702/0, 6-7=-2434/0, 7-8=-2434/0, 8-9=-1512/0
BOT CHORD 17-18=0/914, 16-17=0/2080, 15-16=0/2702, 14-15=0/2702, 13-14=0/2702, 12-13=0/2080, 11-12=0/914
WEBS 2-18=-1214/0, 2-17=0/832, 3-17=-790/0, 3-16=0/481, 9-11=-1214/0, 9-12=0/832, 8-12=-790/0, 8-13=0/481, 5-16=-625/0, 6-13=-625/0

- NOTES-**
- 1) Unbalanced floor live loads have been considered for this design.
 - 2) All plates are 1.5x3 MT20 unless otherwise indicated.
 - 3) Plates checked for a plus or minus 1 degree rotation about its center.
 - 4) Recommend 2x6 strongbacks, on edge, spaced at 10-0-0 oc and fastened to each truss with 3-10d (0.131" X 3") nails. Strongbacks to be attached to walls at their outer ends or restrained by other means.



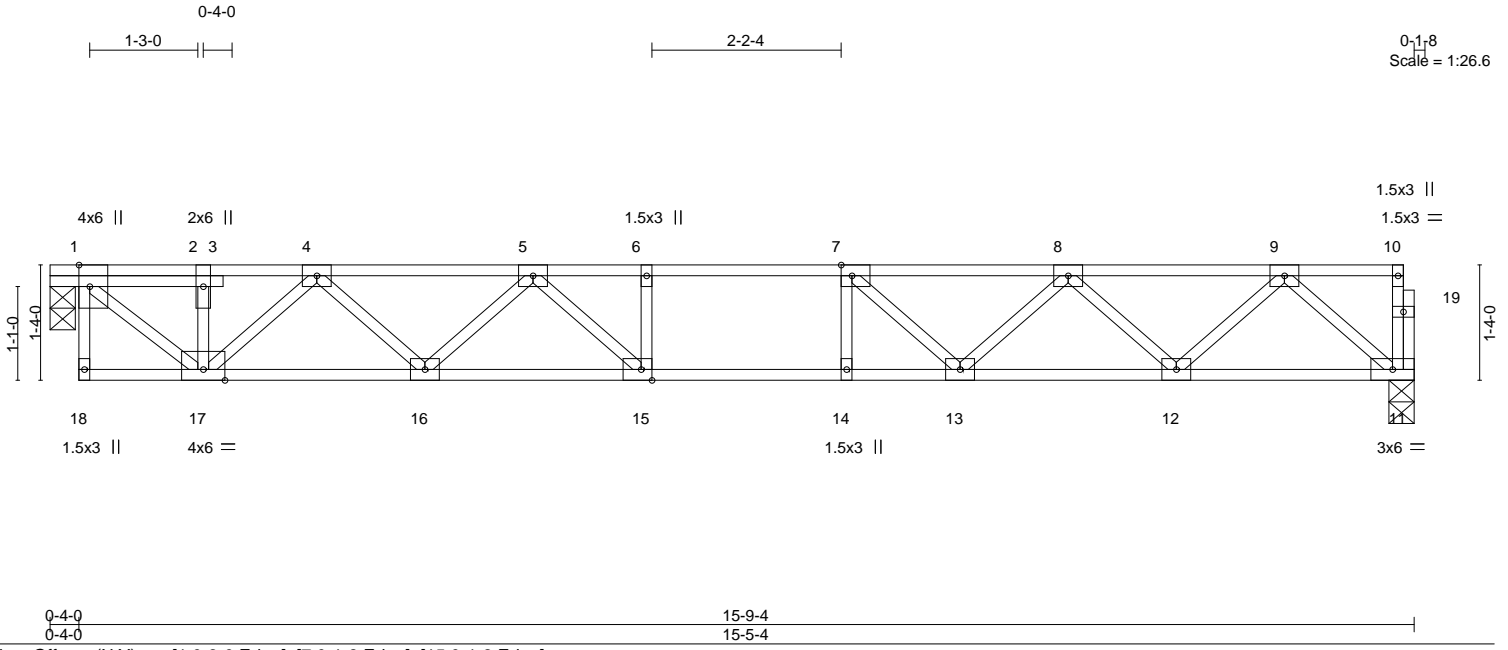
May 9, 2024

<p>WARNING - Verify design parameters and READ NOTES ON THIS AND INCLUDED MITEK REFERENCE PAGE MII-7473 rev. 1/2/2023 BEFORE USE.</p> <p>Design valid for use only with MiTek® connectors. This design is based only upon parameters shown, and is for an individual building component, not a truss system. Before use, the building designer must verify the applicability of design parameters and properly incorporate this design into the overall building design. Bracing indicated is to prevent buckling of individual truss web and/or chord members only. Additional temporary and permanent bracing is always required for stability and to prevent collapse with possible personal injury and property damage. For general guidance regarding the fabrication, storage, delivery, erection and bracing of trusses and truss systems, see ANSI/TPH Quality Criteria and DSB-22 available from Truss Plate Institute (www.tpinst.org) and BCSI Building Component Safety Information available from the Structural Building Component Association (www.sbcacomponents.com)</p>	<p>ENGINEERING BY</p> <p>TRENCO</p> <p>A MiTek Affiliate</p> <p>818 Soundside Road Edenton, NC 27932</p>
--	---

Job J0524-2672	Truss F6	Truss Type Floor	Qty 2	Ply 1	Lot 8 Overhill's Creek Job Reference (optional)	165449496
-------------------	-------------	---------------------	----------	----------	--	-----------

Comtech, Inc. Fayetteville, NC - 28314,

8.430 s Jan 6 2022 MiTek Industries, Inc. Wed May 8 13:32:34 2024 Page 1
ID:L4ooqZl2lIBaFe1TmHvnKrzle?4-RfC?PsB70Hq3NSgPqnL8w3ulTXbGKWrCDoi7J4zJC?f



LOADING (psf)	SPACING-	2-0-0	CSI.	DEFL.	in (loc)	l/defl	L/d	PLATES	GRIP
TCLL 40.0	Plate Grip DOL	1.00	TC 0.45	Vert(LL)	-0.15 15-16	>999	480	MT20	244/190
TCDL 10.0	Lumber DOL	1.00	BC 0.71	Vert(CT)	-0.20 15-16	>924	360		
BCLL 0.0	Rep Stress Incr	YES	WB 0.55	Horz(CT)	0.02 11	n/a	n/a		
BCDL 5.0	Code IRC2015/TPI2014		Matrix-S						
								Weight: 83 lb	FT = 20%F, 11%E

LUMBER-	BRACING-
TOP CHORD 2x4 SP No.1(flat)	TOP CHORD Structural wood sheathing directly applied or 6-0-0 oc purlins, except end verticals.
BOT CHORD 2x4 SP No.1(flat)	BOT CHORD Rigid ceiling directly applied or 10-0-0 oc bracing.
WEBS 2x4 SP No.3(flat)	

REACTIONS. (size) 11=0-3-8, 1=0-3-8
Max Grav 11=833(LC 1), 1=839(LC 1)

FORCES. (lb) - Max. Comp./Max. Ten. - All forces 250 (lb) or less except when shown.
TOP CHORD 1-2=-884/0, 2-4=-884/0, 4-5=-1993/0, 5-6=-2611/0, 6-7=-2611/0, 7-8=-2333/0, 8-9=-1483/0
BOT CHORD 16-17=0/1563, 15-16=0/2398, 14-15=0/2611, 13-14=0/2611, 12-13=0/2044, 11-12=0/893
WEBS 1-17=0/1150, 4-17=-923/0, 4-16=0/598, 5-16=-564/0, 5-15=-9/551, 9-11=-1186/0, 9-12=0/821, 8-12=-780/0, 8-13=0/461, 7-13=-552/0, 6-15=-259/0

- NOTES-**
- 1) Unbalanced floor live loads have been considered for this design.
 - 2) All plates are 3x4 MT20 unless otherwise indicated.
 - 3) Plates checked for a plus or minus 1 degree rotation about its center.
 - 4) Recommend 2x6 strongbacks, on edge, spaced at 10-0-0 oc and fastened to each truss with 3-10d (0.131" X 3") nails. Strongbacks to be attached to walls at their outer ends or restrained by other means.
 - 5) Gap between inside of top chord bearing and first diagonal or vertical web shall not exceed 0.500in.
 - 6) CAUTION, Do not erect truss backwards.

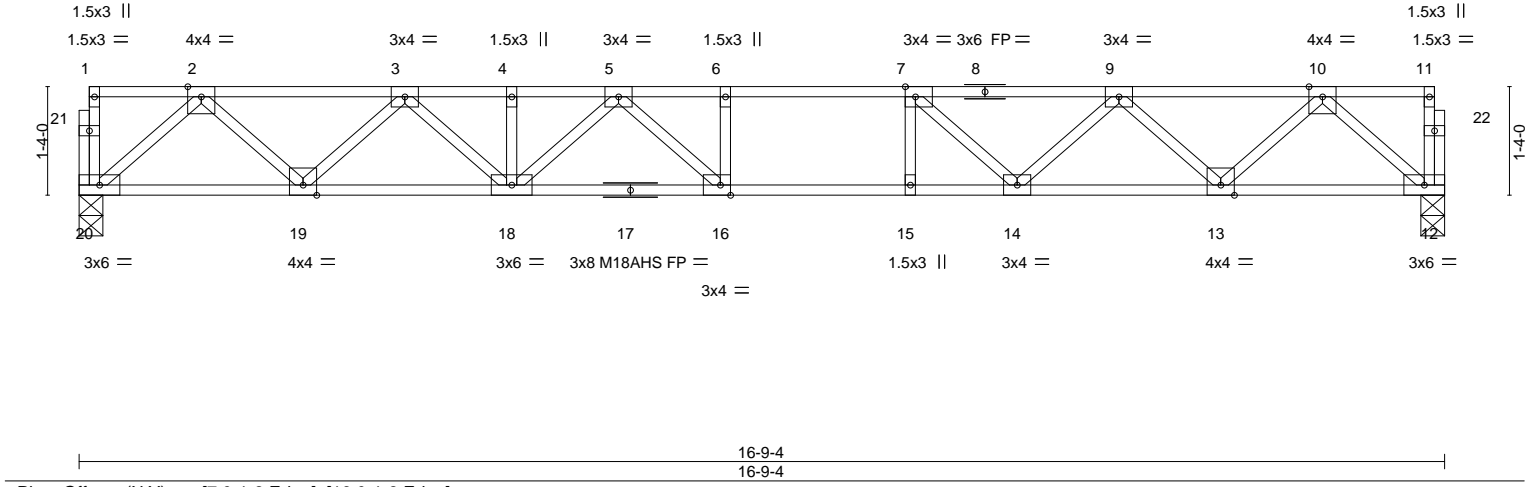
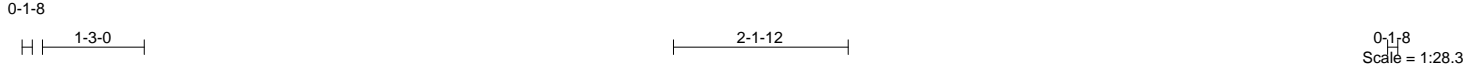


<p>WARNING - Verify design parameters and READ NOTES ON THIS AND INCLUDED MITEK REFERENCE PAGE MII-7473 rev. 1/2/2023 BEFORE USE.</p> <p>Design valid for use only with MiTek® connectors. This design is based only upon parameters shown, and is for an individual building component, not a truss system. Before use, the building designer must verify the applicability of design parameters and properly incorporate this design into the overall building design. Bracing indicated is to prevent buckling of individual truss web and/or chord members only. Additional temporary and permanent bracing is always required for stability and to prevent collapse with possible personal injury and property damage. For general guidance regarding the fabrication, storage, delivery, erection and bracing of trusses and truss systems, see ANSI/TPH Quality Criteria and DSB-22 available from Truss Plate Institute (www.tpinst.org) and BCSI Building Component Safety Information available from the Structural Building Component Association (www.sbcacomponents.com)</p>	<p>ENGINEERING BY TRENCO A MiTek Affiliate</p> <p>818 Soundside Road Edenton, NC 27932</p>
--	---

Job J0524-2672	Truss F7	Truss Type Floor	Qty 5	Ply 1	Lot 8 Overhill's Creek 165449497
-------------------	-------------	---------------------	----------	----------	-------------------------------------

Comtech, Inc. Fayetteville, NC - 28314,

8.430 s Jan 6 2022 MiTek Industries, Inc. Wed May 8 13:32:34 2024 Page 1
ID:L4ooqZl2lIBaFe1TmHvnKrzle?4-RfC?PsB70Hq3NSgPqnL8w3ulTXbGKWrCDoi7J4zJC?f



LOADING (psf)	SPACING- 2-0-0	CSI.	DEFL. in (loc) l/defl L/d	PLATES	GRIP
TCLL 40.0	Plate Grip DOL 1.00	TC 0.57	Vert(LL) -0.23 16-18 >855 480	MT20 244/190	
TCDL 10.0	Lumber DOL 1.00	BC 0.93	Vert(CT) -0.31 16-18 >642 360	M18AHS 186/179	
BCLL 0.0	Rep Stress Incr YES	WB 0.44	Horz(CT) 0.05 12 n/a n/a		
BCDL 5.0	Code IRC2015/TPI2014	Matrix-S			Weight: 87 lb FT = 20%F, 11%E

LUMBER-	BRACING-
TOP CHORD 2x4 SP No.1(flat)	TOP CHORD Structural wood sheathing directly applied or 6-0-0 oc purlins, except end verticals.
BOT CHORD 2x4 SP No.1(flat)	BOT CHORD Rigid ceiling directly applied or 10-0-0 oc bracing, Except: 2-2-0 oc bracing: 15-16.
WEBS 2x4 SP No.3(flat)	

REACTIONS. (size) 20=0-3-8, 12=0-3-8
Max Grav 20=902(LC 1), 12=902(LC 1)

FORCES. (lb) - Max. Comp./Max. Ten. - All forces 250 (lb) or less except when shown.
TOP CHORD 2-3=-1629/0, 3-4=-2681/0, 4-5=-2681/0, 5-6=-3050/0, 6-7=-3050/0, 7-9=-2632/0, 9-10=-1633/0
BOT CHORD 19-20=0/975, 18-19=0/2258, 16-18=0/2960, 15-16=0/3050, 14-15=0/3050, 13-14=0/2257, 12-13=0/975
WEBS 2-20=-1295/0, 2-19=0/909, 3-19=-876/0, 3-18=0/574, 10-12=-1296/0, 10-13=0/915, 9-13=-867/0, 9-14=0/566, 5-18=-380/0, 5-16=-156/462, 7-14=-718/0

- NOTES-**
- 1) Unbalanced floor live loads have been considered for this design.
 - 2) All plates are MT20 plates unless otherwise indicated.
 - 3) Plates checked for a plus or minus 1 degree rotation about its center.
 - 4) Recommend 2x6 strongbacks, on edge, spaced at 10-0-0 oc and fastened to each truss with 3-10d (0.131" X 3") nails. Strongbacks to be attached to walls at their outer ends or restrained by other means.



May 9, 2024

Job J0524-2672	Truss FG1	Truss Type Floor Girder	Qty 1	Ply 1	Lot 8 Overhill's Creek Job Reference (optional)	I65449498
-------------------	--------------	----------------------------	----------	----------	--	-----------

Comtech, Inc. Fayetteville, NC - 28314,

8.430 s Jan 6 2022 MiTek Industries, Inc. Wed May 8 13:32:35 2024 Page 1

ID:L4ooqZl2lIBaFe1TmHvnKrzle?4-RfC?PsB70Hq3NSgPqnL8w3ulTXbGKWrCDoi7J4zJC?f

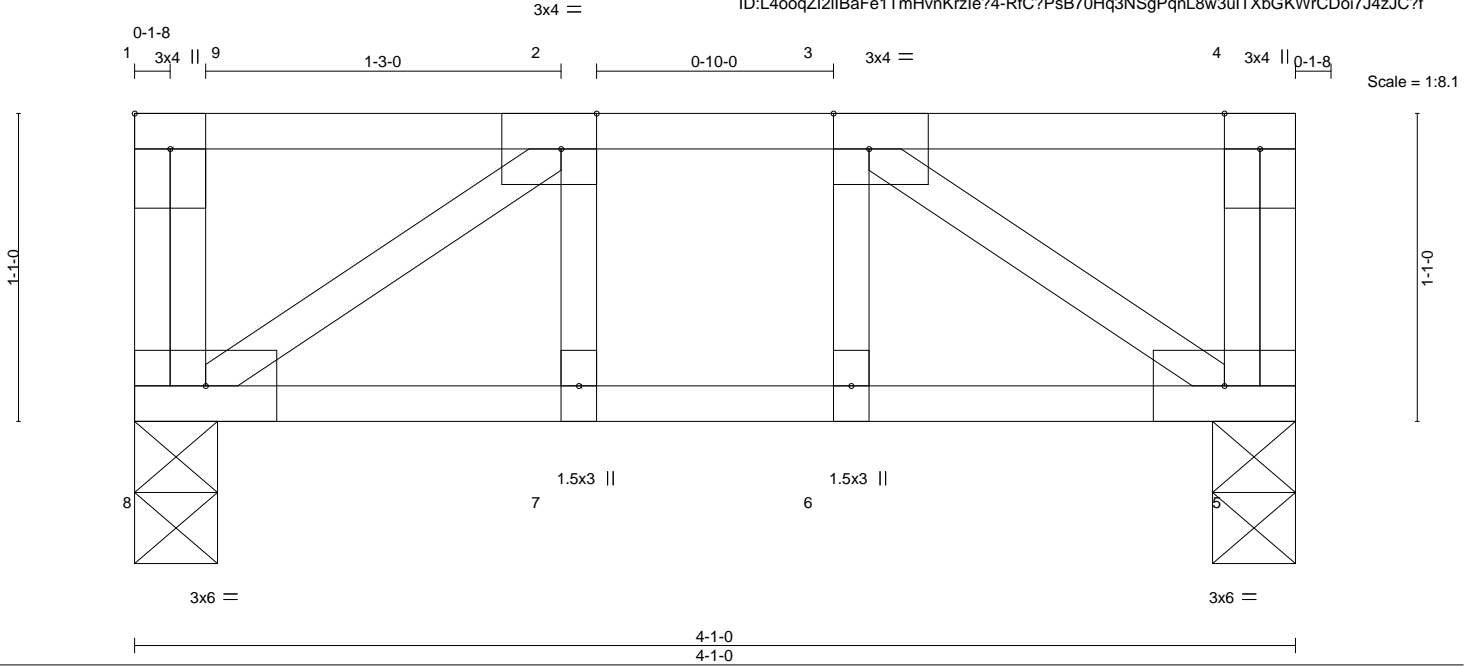


Plate Offsets (X,Y)-- [1:Edge,0-1-8], [2:0-1-8,Edge], [3:0-1-8,Edge]

LOADING (psf)	SPACING-	CSI.	DEFL.	PLATES	GRIP
TCLL 40.0	2-0-0	TC 0.91	in (loc) l/defl L/d	MT20	244/190
TCDL 10.0	Plate Grip DOL 1.00	BC 0.37	Vert(LL) -0.02 6 >999 480		
BCLL 0.0	Lumber DOL 1.00	WB 0.26	Vert(CT) -0.02 5-6 >999 360		
BCDL 5.0	Rep Stress Incr NO	Matrix-S	Horz(CT) 0.00 5 n/a n/a		
	Code IRC2015/TPI2014			Weight: 24 lb	FT = 20%F, 11%E

LUMBER-	BRACING-
TOP CHORD 2x4 SP No.1(flat)	TOP CHORD Structural wood sheathing directly applied or 4-1-0 oc purlins, except end verticals.
BOT CHORD 2x4 SP No.1(flat)	BOT CHORD Rigid ceiling directly applied or 10-0-0 oc bracing.
WEBS 2x4 SP No.3(flat)	

REACTIONS. (size) 8=0-3-8, 5=0-3-8
Max Grav 8=1198(LC 1), 5=735(LC 1)

FORCES. (lb) - Max. Comp./Max. Ten. - All forces 250 (lb) or less except when shown.
TOP CHORD 1-8=-602/0, 2-3=-912/0
BOT CHORD 7-8=0/912, 6-7=0/912, 5-6=0/912
WEBS 3-5=-1096/0, 2-8=-1096/0

NOTES-
1) Unbalanced floor live loads have been considered for this design.
2) Plates checked for a plus or minus 1 degree rotation about its center.
3) Recommend 2x6 strongbacks, on edge, spaced at 10-0-0 oc and fastened to each truss with 3-10d (0.131" X 3") nails. Strongbacks to be attached to walls at their outer ends or restrained by other means.

LOAD CASE(S) Standard
1) Dead + Floor Live (balanced): Lumber Increase=1.00, Plate Increase=1.00
Uniform Loads (plf)
Vert: 5-8=-10, 1-4=-100
Concentrated Loads (lb)
Vert: 3=-739 9=-773



May 9, 2024

Job J0524-2672	Truss FG2	Truss Type Floor Girder	Qty 1	Ply 1	Lot 8 Overhill's Creek Job Reference (optional)	I65449499
-------------------	--------------	----------------------------	----------	----------	--	-----------

Comtech, Inc. Fayetteville, NC - 28314,

8.430 s Jan 6 2022 MiTek Industries, Inc. Wed May 8 13:32:35 2024 Page 1
ID:L4ooqZl2lIBaFe1TmHvnKrzle?4-RfC?PsB70Hq3NSgPqnL8w3ulTXbGKWrCDoi7J4zJC?f

0-1-8



Scale = 1:13.7

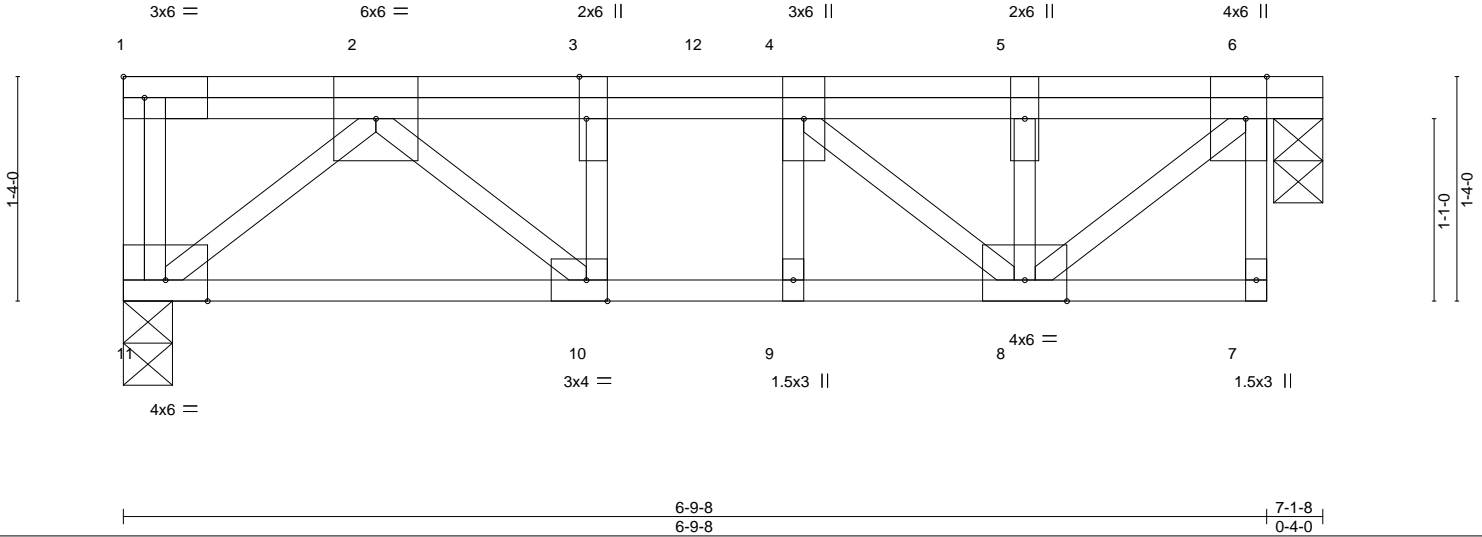


Plate Offsets (X, Y)--	[3:0-3-0,Edge], [6:0-3-0,Edge], [10:0-1-8,Edge]
------------------------	---

LOADING (psf)	SPACING- 2-0-0	CSI.	DEFL. in (loc) l/defl L/d	PLATES	GRIP
TCLL 40.0	Plate Grip DOL 1.00	TC 0.43	Vert(LL) 0.02 9 >999 480	MT20	244/190
TCDL 10.0	Lumber DOL 1.00	BC 0.11	Vert(CT) 0.03 9 >999 360		
BCLL 0.0	Rep Stress Incr NO	WB 0.73	Horz(CT) -0.00 6 n/a n/a		
BCDL 5.0	Code IRC2015/TPI2014	Matrix-S		Weight: 49 lb	FT = 20%F, 11%E

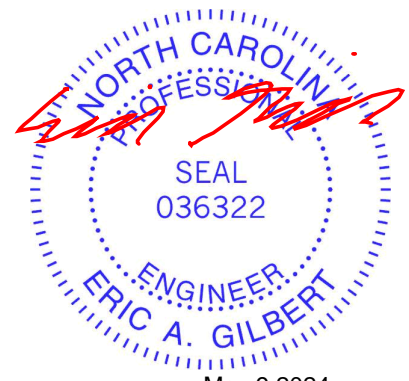
LUMBER-	BRACING-
TOP CHORD 2x4 SP No.1(flat)	TOP CHORD Structural wood sheathing directly applied or 6-0-0 oc purlins, except end verticals.
BOT CHORD 2x4 SP No.1(flat)	BOT CHORD Rigid ceiling directly applied or 6-0-0 oc bracing, Except: 10-0-0 oc bracing: 7-8.
WEBS 2x4 SP No.3(flat)	

REACTIONS. (size) 11=0-3-8, 6=0-3-8
 Max Uplift 11=991(LC 10), 6=1008(LC 9)
 Max Grav 11=89(LC 1), 6=85(LC 1)

FORCES. (lb) - Max. Comp./Max. Ten. - All forces 250 (lb) or less except when shown.
 TOP CHORD 2-3=-66/1593, 3-4=-66/1593, 4-5=-33/1195, 5-6=-33/1195
 BOT CHORD 10-11=-1171/33, 9-10=-1593/66, 8-9=-1593/66
 WEBS 5-8=-7/677, 6-8=-1555/43, 2-11=-43/1525, 2-10=-618/76, 3-10=-17/418, 4-8=-78/582

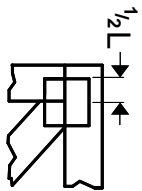
- NOTES-**
- 1) Unbalanced floor live loads have been considered for this design.
 - 2) Plates checked for a plus or minus 1 degree rotation about its center.
 - 3) Provide mechanical connection (by others) of truss to bearing plate capable of withstanding 991 lb uplift at joint 11 and 1008 lb uplift at joint 6.
 - 4) Recommend 2x6 strongbacks, on edge, spaced at 10-0-0 oc and fastened to each truss with 3-10d (0.131" X 3") nails. Strongbacks to be attached to walls at their outer ends or restrained by other means.
 - 5) Gap between inside of top chord bearing and first diagonal or vertical web shall not exceed 0.500in.
 - 6) CAUTION, Do not erect truss backwards.
 - 7) Hanger(s) or other connection device(s) shall be provided sufficient to support concentrated load(s) 841 lb up at 1-6-0, and 841 lb up at 3-6-0, and 841 lb up at 5-6-0 on top chord. The design/selection of such connection device(s) is the responsibility of others.
 - 8) In the LOAD CASE(S) section, loads applied to the face of the truss are noted as front (F) or back (B).

LOAD CASE(S) Standard
 1) Dead + Floor Live (balanced): Lumber Increase=1.00, Plate Increase=1.00
 Uniform Loads (plf)
 Vert: 7-11=-10, 1-6=-100
 Concentrated Loads (lb)
 Vert: 5=184(B) 2=184(B) 12=184(B)

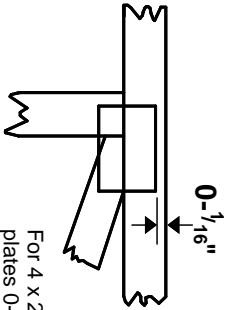


Symbols

PLATE LOCATION AND ORIENTATION



Center plate on joint unless x, y offsets are indicated. Dimensions are in ft-in-sixteenths. Apply plates to both sides of truss and fully embed teeth.



For 4 x 2 orientation, locate plates 0- 1/16\"/>



This symbol indicates the required direction of slots in connector plates.

* Plate location details available in MITek software or upon request.

PLATE SIZE

4 X 4

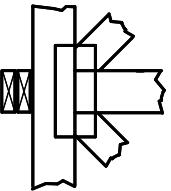
The first dimension is the plate width measured perpendicular to slots. Second dimension is the length parallel to slots.

LATERAL BRACING LOCATION



Indicated by symbol shown and/or by text in the bracing section of the output. Use T or I bracing if indicated.

BEARING



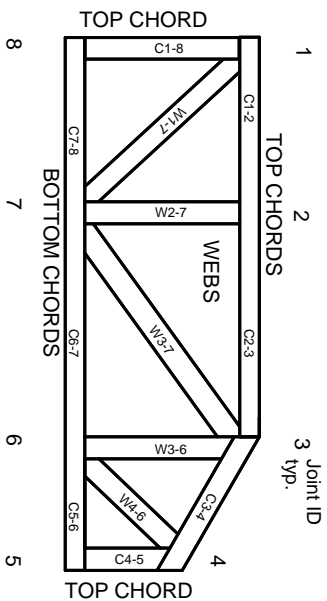
Indicates location where bearings (supports) occur. Icons vary but reaction section indicates joint number/letter where bearings occur. Min size shown is for crushing only.

Industry Standards:

ANSI/TP1: National Design Specification for Metal Plate Connected Wood Truss Construction.
DSB-22: Design Standard for Bracing.
BCSI: Building Component Safety Information, Guide to Good Practice for Handling, Installing, Restraining & Bracing of Metal Plate Connected Wood Trusses.

Numbering System

6-4-8 dimensions shown in ft-in-sixteenths (Drawings not to scale)



JOINTS ARE GENERALLY NUMBERED/LETTERED CLOCKWISE AROUND THE TRUSS STARTING AT THE JOINT FARTHEST TO THE LEFT.

CHORDS AND WEBS ARE IDENTIFIED BY END JOINT NUMBERS/LETTERS.

Product Code Approvals

ICC-ES Reports:

ESR-1988, ESR-2362, ESR-2685, ESR-3282
ESR-4722, ESL-1388

Design General Notes

Trusses are designed for wind loads in the plane of the truss unless otherwise shown.

Lumber design values are in accordance with ANSI/TP1 section 6.3. These truss designs rely on Lumber values established by others.

© 2023 MITek® All Rights Reserved

MITek

ENGINEERING BY
TRENGO
A MITek Affiliate

MITek Engineering Reference Sheet: MIL-7473 rev. 1/2/2023

General Safety Notes

Failure to Follow Could Cause Property Damage or Personal Injury

1. Additional stability/bracing for truss system, e.g. diagonal or X-bracing, is always required. See BCSI.
2. Truss bracing must be designed by an engineer. For wide truss spacing, individual lateral braces themselves may require bracing, or alternative Tor I bracing should be considered.
3. Never exceed the design loading shown and never stack materials on inadequately braced trusses.
4. Provide copies of this truss design to the building designer, erection supervisor, property owner and all other interested parties.
5. Cut members to bear tightly against each other.
6. Place plates on each face of truss at each joint and embed fully. Knots and wane at joint locations are regulated by ANSI/TP1 1.
7. Design assumes trusses will be suitably protected from the environment in accord with ANSI/TP1 1.
8. Unless otherwise noted, moisture content of lumber shall not exceed 19% at time of fabrication.
9. Unless expressly noted, this design is not applicable for use with fire retardant, preservative treated, or green lumber.
10. Camber is a non-structural consideration and is the responsibility of truss fabricator. General practice is to camber for dead load deflection.
11. Plate type, size, orientation and location dimensions indicated are minimum plating requirements.
12. Lumber used shall be of the species and size, and in all respects, equal to or better than that specified.
13. Top chords must be sheathed or purlins provided at spacing indicated on design.
14. Bottom chords require lateral bracing at 10 ft. spacing, or less, if no ceiling is installed, unless otherwise noted.
15. Connections not shown are the responsibility of others.
16. Do not cut or alter truss member or plate without prior approval of an engineer.
17. Install and load vertically unless indicated otherwise.
18. Use of green or treated lumber may pose unacceptable environmental, health or performance risks. Consult with project engineer before use.
19. Review all portions of this design (front, back, words and pictures) before use. Reviewing pictures alone is not sufficient.
20. Design assumes manufacture in accordance with ANSI/TP1 1 Quality Criteria.
21. The design does not take into account any dynamic or other loads other than those expressly stated.