

Trenco  
818 Soundside Rd  
Edenton, NC 27932

Re: J0524-3232  
135 Duncans Creek

The truss drawing(s) referenced below have been prepared by Truss Engineering Co. under my direct supervision based on the parameters provided by Comtech, Inc - Fayetteville.

Pages or sheets covered by this seal: I67082897 thru I67082912

My license renewal date for the state of North Carolina is December 31, 2024.

North Carolina COA: C-0844



July 26, 2024

Gilbert, Eric

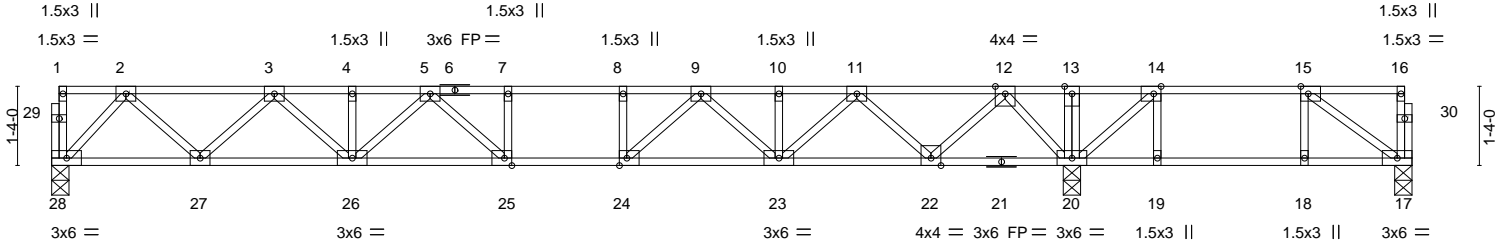
**IMPORTANT NOTE:** The seal on these truss component designs is a certification that the engineer named is licensed in the jurisdiction(s) identified and that the designs comply with ANSI/TPI 1. These designs are based upon parameters shown (e.g., loads, supports, dimensions, shapes and design codes), which were given to MiTek or TRENCO. Any project specific information included is for MiTek's or TRENCO's customers file reference purpose only, and was not taken into account in the preparation of these designs. MiTek or TRENCO has not independently verified the applicability of the design parameters or the designs for any particular building. Before use, the building designer should verify applicability of design parameters and properly incorporate these designs into the overall building design per ANSI/TPI 1, Chapter 2.

|                   |              |                     |           |          |   |           |
|-------------------|--------------|---------------------|-----------|----------|---|-----------|
| Job<br>J0524-3232 | Truss<br>F01 | Truss Type<br>FLOOR | Qty<br>11 | Ply<br>1 | 135 Duncans Creek<br>Job Reference (optional) | 167082897 |
|-------------------|--------------|---------------------|-----------|----------|---|-----------|

Comtech, Inc. Fayetteville, NC - 28314,

8.630 s Jul 12 2024 MiTek Industries, Inc. Wed Jul 24 11:19:28 2024 Page 1

ID:MRVdg0cxPqsK8U739DzMHizpZIL-RfC?PsB70Hq3NSgPqnL8w3ulTXbGKWrCDoi7J4zJC?f



|                        |  |
|------------------------|--|
| Plate Offsets (X, Y)-- | [14:0-1-8,Edge], [15:0-1-8,Edge], [24:0-1-8,Edge], [25:0-1-8,Edge] |
|------------------------|--|

| LOADING (psf) | SPACING-             | 1-7-3 | CSI.     | DEFL.    | in    | (loc) | l/defl | L/d | PLATES | GRIP    |
|---------------|----------------------|-------|----------|----------|-------|-------|--------|-----|--------|---------|
| TCLL 40.0     | Plate Grip DOL       | 1.00  | TC 0.50  | Vert(LL) | -0.15 | 25    | >999   | 480 | MT20   | 244/190 |
| TCDL 10.0     | Lumber DOL           | 1.00  | BC 0.56  | Vert(CT) | -0.20 | 25    | >999   | 360 |        |         |
| BCLL 0.0      | Rep Stress Incr      | YES   | WB 0.40  | Horz(CT) | 0.04  | 17    | n/a    | n/a |        |         |
| BCDL 5.0      | Code IRC2015/TPI2014 |       | Matrix-S |          |       |       |        |     |        |         |

Weight: 121 lb FT = 20%F, 11%E

|                             |   |
|-----------------------------|---|
| <b>LUMBER-</b>              | <b>BRACING-</b>   |
| TOP CHORD 2x4 SP No.1(flat) | TOP CHORD Structural wood sheathing directly applied or 6-0-0 oc purlins, except end verticals.             |
| BOT CHORD 2x4 SP No.1(flat) | BOT CHORD Rigid ceiling directly applied or 10-0-0 oc bracing. Except: 6-0-0 oc bracing: 19-20,18-19,17-18. |
| WEBS 2x4 SP No.3(flat)      |   |

**REACTIONS.** (size) 28=0-3-8, 17=0-3-8, 20=0-3-8  
 Max Uplift 17=24(LC 3)  
 Max Grav 28=721(LC 10), 17=222(LC 4), 20=1114(LC 9)

**FORCES.** (lb) - Max. Comp./Max. Ten. - All forces 250 (lb) or less except when shown.  
 TOP CHORD 2-3=-1197/0, 3-4=-2080/0, 4-5=-2080/0, 5-7=-2451/0, 7-8=-2451/0, 8-9=-2451/0, 9-10=-1931/0, 10-11=-1931/0, 11-12=-950/0, 12-13=0/479, 13-14=0/479  
 BOT CHORD 27-28=0/653, 26-27=0/1720, 25-26=0/2330, 24-25=0/2451, 23-24=0/2237, 22-23=0/1519, 20-22=0/354  
 WEBS 2-28=957/0, 2-27=0/757, 3-27=-728/0, 3-26=0/489, 5-26=-340/0, 5-25=-81/388, 12-20=-1061/0, 12-22=0/842, 11-22=-803/0, 11-23=0/572, 9-23=-428/0, 15-17=-259/180, 14-20=-610/0, 9-24=0/486

- NOTES-**
- 1) Unbalanced floor live loads have been considered for this design.
  - 2) All plates are 3x4 MT20 unless otherwise indicated.
  - 3) Plates checked for a plus or minus 1 degree rotation about its center.
  - 4) Provide mechanical connection (by others) of truss to bearing plate capable of withstanding 24 lb uplift at joint 17.
  - 5) Recommend 2x6 strongbacks, on edge, spaced at 10-0-0 oc and fastened to each truss with 3-10d (0.131" X 3") nails. Strongbacks to be attached to walls at their outer ends or restrained by other means.
  - 6) CAUTION, Do not erect truss backwards.



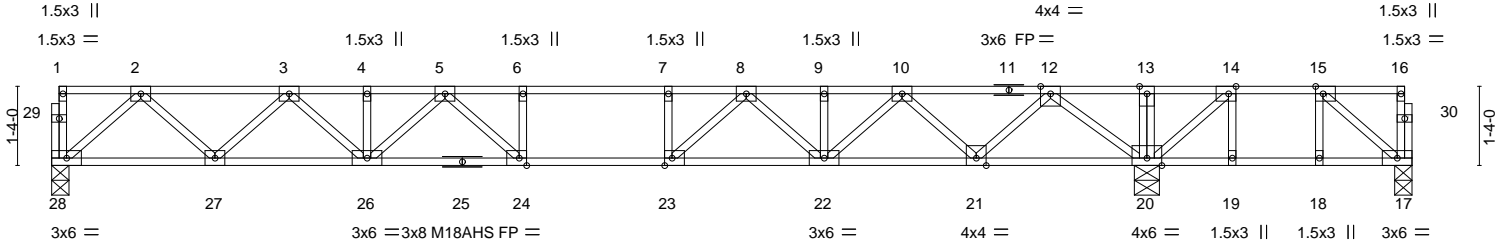
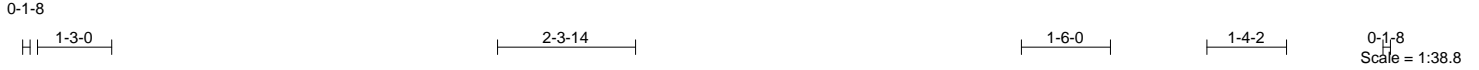
July 26, 2024

|  |   |
|--|---|
| <p><b>WARNING - Verify design parameters and READ NOTES ON THIS AND INCLUDED MITEK REFERENCE PAGE MII-7473 rev. 1/2/2023 BEFORE USE.</b></p> <p>Design valid for use only with MiTek® connectors. This design is based only upon parameters shown, and is for an individual building component, not a truss system. Before use, the building designer must verify the applicability of design parameters and properly incorporate this design into the overall building design. Bracing indicated is to prevent buckling of individual truss web and/or chord members only. Additional temporary and permanent bracing is always required for stability and to prevent collapse with possible personal injury and property damage. For general guidance regarding the fabrication, storage, delivery, erection and bracing of trusses and truss systems, see <b>ANSI/TPI Quality Criteria and DSB-22</b> available from Truss Plate Institute (www.tpinst.org) and <b>BCSI Building Component Safety Information</b> available from the Structural Building Component Association (www.sbcacomponents.com)</p> | <br>818 Soundside Road<br>Edenton, NC 27932 |
|--|---|

|                   |              |                     |          |          |   |           |
|-------------------|--------------|---------------------|----------|----------|---|-----------|
| Job<br>J0524-3232 | Truss<br>F02 | Truss Type<br>FLOOR | Qty<br>1 | Ply<br>1 | 135 Duncans Creek<br>Job Reference (optional) | 167082898 |
|-------------------|--------------|---------------------|----------|----------|---|-----------|

Comtech, Inc. Fayetteville, NC - 28314,

8.630 s Jul 12 2024 MiTek Industries, Inc. Wed Jul 24 11:19:29 2024 Page 1  
ID:MRVdg0cxPqsK8U739DzMHizpZII-RfC?PsB70Hq3NSgPqnL8w3ulTXbGKWrCDoi7J4zJC?f



|                       |  |         |
|-----------------------|--|---------|
|                       | 18-5-6   | 22-11-0 |
|                       | 18-5-6   | 4-5-10  |
| Plate Offsets (X,Y)-- | [14:0-1-8,Edge], [15:0-1-8,Edge], [23:0-1-8,Edge], [24:0-1-8,Edge] |         |

|                      |                       |             |                                  |                |                 |
|----------------------|-----------------------|-------------|----------------------------------|----------------|-----------------|
| <b>LOADING</b> (psf) | <b>SPACING-</b> 1-7-3 | <b>CSI.</b> | <b>DEFL.</b> in (loc) l/defl L/d | <b>PLATES</b>  | <b>GRIP</b>     |
| TCLL 40.0            | Plate Grip DOL 1.00   | TC 0.60     | Vert(LL) -0.20 24-26 >999 480    | MT20           | 244/190         |
| TCDL 10.0            | Lumber DOL 1.00       | BC 0.68     | Vert(CT) -0.27 24-26 >811 360    | M18AHS         | 186/179         |
| BCLL 0.0             | Rep Stress Incr YES   | WB 0.43     | Horz(CT) 0.04 20 n/a n/a         |                |                 |
| BCDL 5.0             | Code IRC2015/TP12014  | Matrix-S    |                                  |                |                 |
|                      |                       |             |                                  | Weight: 121 lb | FT = 20%F, 11%E |

**LUMBER-**  
TOP CHORD 2x4 SP No.1(flat)  
BOT CHORD 2x4 SP No.1(flat)  
WEBS 2x4 SP No.3(flat)

**BRACING-**  
TOP CHORD Structural wood sheathing directly applied or 6-0-0 oc purlins, except end verticals.  
BOT CHORD Rigid ceiling directly applied or 10-0-0 oc bracing. Except: 6-0-0 oc bracing: 19-20,18-19,17-18.

**REACTIONS.** (size) 28=0-3-8, 17=0-3-8, 20=0-5-1  
Max Uplift 17=183(LC 3)  
Max Grav 28=747(LC 10), 17=120(LC 4), 20=1289(LC 1)

**FORCES.** (lb) - Max. Comp./Max. Ten. - All forces 250 (lb) or less except when shown.  
TOP CHORD 2-3=-1358/0, 3-4=-2252/0, 4-5=-2252/0, 5-6=-2619/0, 6-7=-2619/0, 7-8=-2619/0,  
8-9=-1975/0, 9-10=-1975/0, 10-12=-912/0, 12-13=0/892, 13-14=0/892, 14-15=-46/374  
BOT CHORD 27-28=0/809, 26-27=0/1887, 24-26=0/2503, 23-24=0/2619, 22-23=0/2324, 21-22=0/1519,  
20-21=0/272, 19-20=-374/46, 18-19=-374/46, 17-18=-374/46  
WEBS 2-28=-1075/0, 2-27=0/764, 3-27=-736/0, 3-26=0/497, 5-26=-341/0, 5-24=-86/408,  
12-20=-1365/0, 12-21=0/898, 10-21=-853/0, 10-22=0/627, 8-22=-482/0, 8-23=0/593,  
7-23=-299/0, 15-17=-56/493, 14-20=-779/0

- NOTES-**
- 1) Unbalanced floor live loads have been considered for this design.
  - 2) All plates are MT20 plates unless otherwise indicated.
  - 3) All plates are 3x4 MT20 unless otherwise indicated.
  - 4) Plates checked for a plus or minus 1 degree rotation about its center.
  - 5) Provide mechanical connection (by others) of truss to bearing plate capable of withstanding 183 lb uplift at joint 17.
  - 6) Recommend 2x6 strongbacks, on edge, spaced at 10-0-0 oc and fastened to each truss with 3-10d (0.131" X 3") nails. Strongbacks to be attached to walls at their outer ends or restrained by other means.
  - 7) CAUTION, Do not erect truss backwards.



July 26, 2024

**WARNING - Verify design parameters and READ NOTES ON THIS AND INCLUDED MITEK REFERENCE PAGE MII-7473 rev. 1/2/2023 BEFORE USE.**  
Design valid for use only with MiTek® connectors. This design is based only upon parameters shown, and is for an individual building component, not a truss system. Before use, the building designer must verify the applicability of design parameters and properly incorporate this design into the overall building design. Bracing indicated is to prevent buckling of individual truss web and/or chord members only. Additional temporary and permanent bracing is always required for stability and to prevent collapse with possible personal injury and property damage. For general guidance regarding the fabrication, storage, delivery, erection and bracing of trusses and truss systems, see **ANSI/TPH Quality Criteria and DSB-22** available from Truss Plate Institute (www.tpinst.org) and **BCSI Building Component Safety Information** available from the Structural Building Component Association (www.sbcacomponents.com)



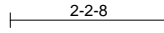
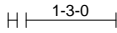
|                   |              |                     |          |          |   |           |
|-------------------|--------------|---------------------|----------|----------|---|-----------|
| Job<br>J0524-3232 | Truss<br>F03 | Truss Type<br>FLOOR | Qty<br>5 | Ply<br>1 | 135 Duncans Creek<br>Job Reference (optional) | 167082899 |
|-------------------|--------------|---------------------|----------|----------|---|-----------|

Comtech, Inc. Fayetteville, NC - 28314,

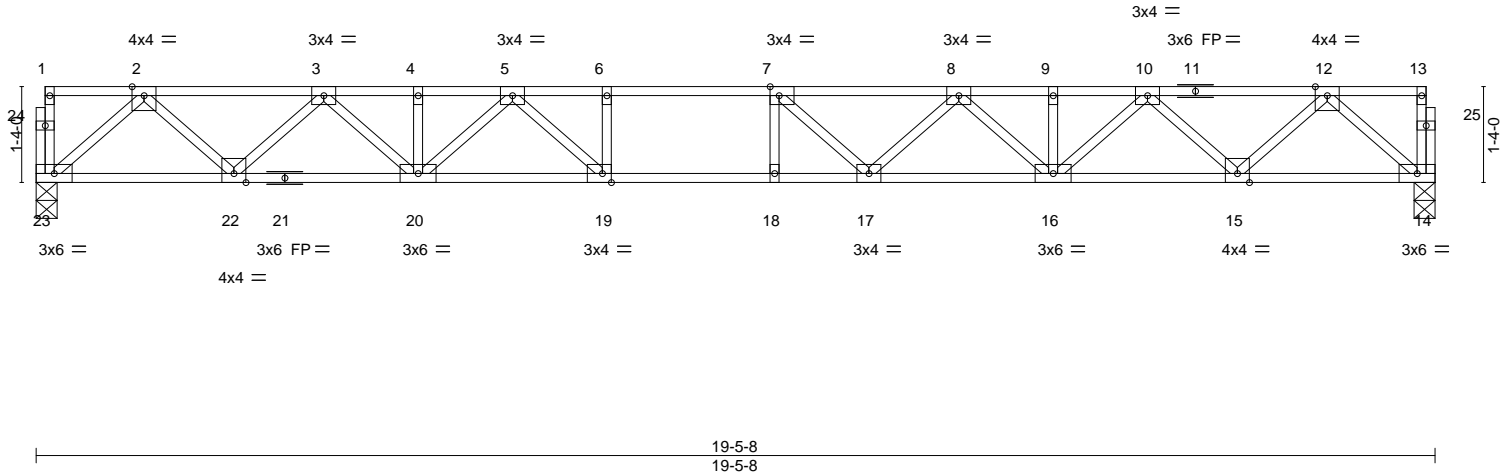
8.630 s Jul 12 2024 MiTek Industries, Inc. Wed Jul 24 11:19:29 2024 Page 1

ID:MRVdg0cxPqsK8U739DzMHizpZIL-RfC?PsB70Hq3NSgPqnL8w3ulTXbGKWrCDoi7J4zJC?f

0-1-8



0-1-8  
Scale: 3/8"=1'



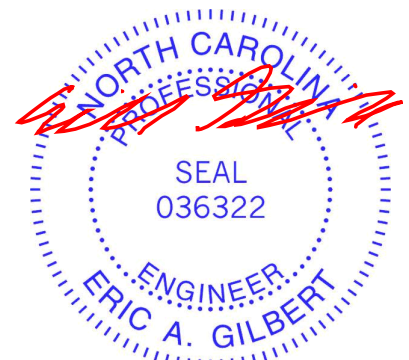
|                       |                                 |             |                                  |                |                 |
|-----------------------|---------------------------------|-------------|----------------------------------|----------------|-----------------|
| Plate Offsets (X,Y)-- | [7:0-1-8,Edge], [19:0-1-8,Edge] |             |                                  |                |                 |
| <b>LOADING</b> (psf)  | <b>SPACING-</b> 1-7-3           | <b>CSI.</b> | <b>DEFL.</b> in (loc) l/defl L/d | <b>PLATES</b>  | <b>GRIP</b>     |
| TCLL 40.0             | Plate Grip DOL 1.00             | TC 0.61     | Vert(LL) -0.27 18 >858 480       | MT20           | 244/190         |
| TCDL 10.0             | Lumber DOL 1.00                 | BC 0.96     | Vert(CT) -0.37 18 >626 360       |                |                 |
| BCLL 0.0              | Rep Stress Incr YES             | WB 0.43     | Horz(CT) 0.06 14 n/a n/a         |                |                 |
| BCDL 5.0              | Code IRC2015/TPI2014            | Matrix-S    |                                  |                |                 |
|                       |                                 |             |                                  | Weight: 102 lb | FT = 20%F, 11%E |

|                             |   |
|-----------------------------|---|
| <b>LUMBER-</b>              | <b>BRACING-</b>   |
| TOP CHORD 2x4 SP No.1(flat) | TOP CHORD Structural wood sheathing directly applied or 6-0-0 oc purlins, except end verticals. |
| BOT CHORD 2x4 SP No.1(flat) | BOT CHORD Rigid ceiling directly applied or 10-0-0 oc bracing, Except: 2-2-0 oc bracing: 18-19. |
| WEBS 2x4 SP No.3(flat)      |   |

**REACTIONS.** (size) 23=0-3-8, 14=0-3-8  
Max Grav 23=840(LC 1), 14=840(LC 1)

**FORCES.** (lb) - Max. Comp./Max. Ten. - All forces 250 (lb) or less except when shown.  
 TOP CHORD 2-3=-1561/0, 3-4=-2640/0, 4-5=-2640/0, 5-6=-3312/0, 6-7=-3312/0, 7-8=-3198/0, 8-9=-2636/0, 9-10=-2636/0, 10-12=-1560/0  
 BOT CHORD 22-23=0/915, 20-22=0/2178, 19-20=0/3002, 18-19=0/3312, 17-18=0/3312, 16-17=0/3032, 15-16=0/2182, 14-15=0/914  
 WEBS 2-23=-1217/0, 2-22=0/898, 3-22=-858/0, 3-20=0/628, 5-20=-492/0, 5-19=0/650, 6-19=-297/0, 12-14=-1215/0, 12-15=0/899, 10-15=-864/0, 10-16=0/618, 8-16=-539/0, 8-17=0/363, 7-17=-427/123

- NOTES-**
- 1) Unbalanced floor live loads have been considered for this design.
  - 2) All plates are 1.5x3 MT20 unless otherwise indicated.
  - 3) Plates checked for a plus or minus 1 degree rotation about its center.
  - 4) Recommend 2x6 strongbacks, on edge, spaced at 10-0-0 oc and fastened to each truss with 3-10d (0.131" X 3") nails. Strongbacks to be attached to walls at their outer ends or restrained by other means.



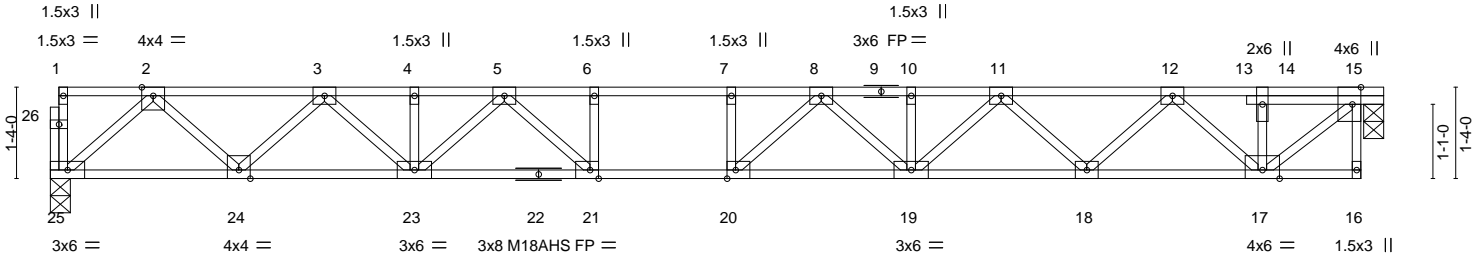
July 26, 2024

|  |   |
|--|---|
| <p><b>WARNING - Verify design parameters and READ NOTES ON THIS AND INCLUDED MITEK REFERENCE PAGE MII-7473 rev. 1/2/2023 BEFORE USE.</b></p> <p>Design valid for use only with MiTek® connectors. This design is based only upon parameters shown, and is for an individual building component, not a truss system. Before use, the building designer must verify the applicability of design parameters and properly incorporate this design into the overall building design. Bracing indicated is to prevent buckling of individual truss web and/or chord members only. Additional temporary and permanent bracing is always required for stability and to prevent collapse with possible personal injury and property damage. For general guidance regarding the fabrication, storage, delivery, erection and bracing of trusses and truss systems, see <b>ANSI/TPH Quality Criteria and DSB-22</b> available from Truss Plate Institute (www.tpinst.org) and <b>BCSI Building Component Safety Information</b> available from the Structural Building Component Association (www.sbcacomponents.com)</p> | <p>ENGINEERING BY<br/><b>TRENCO</b><br/>A MiTek Affiliate</p> <p>818 Soundside Road<br/>Edenton, NC 27932</p> |
|--|---|

|                   |              |                     |          |          |   |           |
|-------------------|--------------|---------------------|----------|----------|---|-----------|
| Job<br>J0524-3232 | Truss<br>F04 | Truss Type<br>FLOOR | Qty<br>1 | Ply<br>1 | 135 Duncans Creek<br>Job Reference (optional) | 167082900 |
|-------------------|--------------|---------------------|----------|----------|---|-----------|

Comtech, Inc. Fayetteville, NC - 28314,

8.630 s Jul 12 2024 MiTek Industries, Inc. Wed Jul 24 11:19:30 2024 Page 1  
ID:MRVdg0cxPqsK8U739DzMHizpZII-RfC?PsB70Hq3NSgPqnL8w3uITXbGKWrCDoi7J4zJC?f



|                       |   |                  |                 |
|-----------------------|---|------------------|-----------------|
| Plate Offsets (X,Y)-- | [15:0-3-0,Edge], [20:0-1-8,Edge], [21:0-1-8,Edge] | 19-1-8<br>19-1-8 | 19-5-8<br>0-4-0 |
|-----------------------|---|------------------|-----------------|

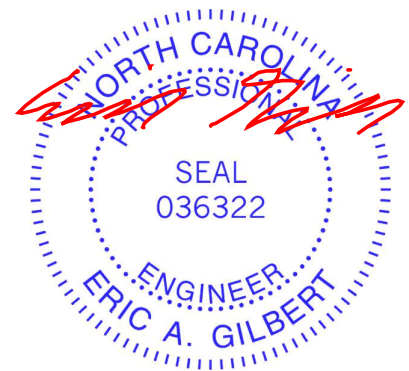
| LOADING (psf) | SPACING-             | 1-7-3 | CSI.     | DEFL.    | in (loc) | l/defl | L/d  | PLATES | GRIP           |                 |
|---------------|----------------------|-------|----------|----------|----------|--------|------|--------|----------------|-----------------|
| TCLL 40.0     | Plate Grip DOL       | 1.00  | TC 0.57  | Vert(LL) | -0.25    | 19-20  | >924 | 480    | MT20           | 244/190         |
| TCDL 10.0     | Lumber DOL           | 1.00  | BC 0.77  | Vert(CT) | -0.34    | 19-20  | >671 | 360    | M18AHS         | 186/179         |
| BCLL 0.0      | Rep Stress Incr      | YES   | WB 0.55  | Horz(CT) | 0.01     | 15     | n/a  | n/a    |                |                 |
| BCDL 5.0      | Code IRC2015/TPI2014 |       | Matrix-S |          |          |        |      |        |                |                 |
|               |                      |       |          |          |          |        |      |        | Weight: 104 lb | FT = 20%F, 11%E |

|                             |   |
|-----------------------------|---|
| <b>LUMBER-</b>              | <b>BRACING-</b>   |
| TOP CHORD 2x4 SP No.1(flat) | TOP CHORD Structural wood sheathing directly applied or 6-0-0 oc purlins, except end verticals. |
| BOT CHORD 2x4 SP No.1(flat) | BOT CHORD Rigid ceiling directly applied or 10-0-0 oc bracing.                                  |
| WEBS 2x4 SP No.3(flat)      |   |


**REACTIONS.** (size) 25=0-3-8, 15=0-3-8  
Max Grav 25=828(LC 1), 15=833(LC 1)

**FORCES.** (lb) - Max. Comp./Max. Ten. - All forces 250 (lb) or less except when shown.  
 TOP CHORD 2-3=-1535/0, 3-4=-2591/0, 4-5=-2591/0, 5-6=-3219/0, 6-7=-3219/0, 7-8=-3219/0, 8-10=-2942/0, 10-11=-2942/0, 11-12=-2120/0, 12-14=-894/0, 14-15=-894/0  
 BOT CHORD 24-25=0/901, 23-24=0/2141, 21-23=0/2937, 20-21=0/3219, 19-20=0/3158, 18-19=0/2616, 17-18=0/1607  
 WEBS 15-17=0/1164, 2-25=-1198/0, 2-24=0/881, 3-24=-843/0, 3-23=0/612, 5-23=-470/0, 5-21=0/602, 6-21=-294/0, 12-17=-968/0, 12-18=0/713, 11-18=-690/0, 11-19=0/444, 8-19=-314/0, 8-20=-185/399

- NOTES-**
- 1) Unbalanced floor live loads have been considered for this design.
  - 2) All plates are MT20 plates unless otherwise indicated.
  - 3) All plates are 3x4 MT20 unless otherwise indicated.
  - 4) Plates checked for a plus or minus 1 degree rotation about its center.
  - 5) Recommend 2x6 strongbacks, on edge, spaced at 10-0-0 oc and fastened to each truss with 3-10d (0.131" X 3") nails. Strongbacks to be attached to walls at their outer ends or restrained by other means.
  - 6) Gap between inside of top chord bearing and first diagonal or vertical web shall not exceed 0.500in.
  - 7) CAUTION, Do not erect truss backwards.



July 26, 2024

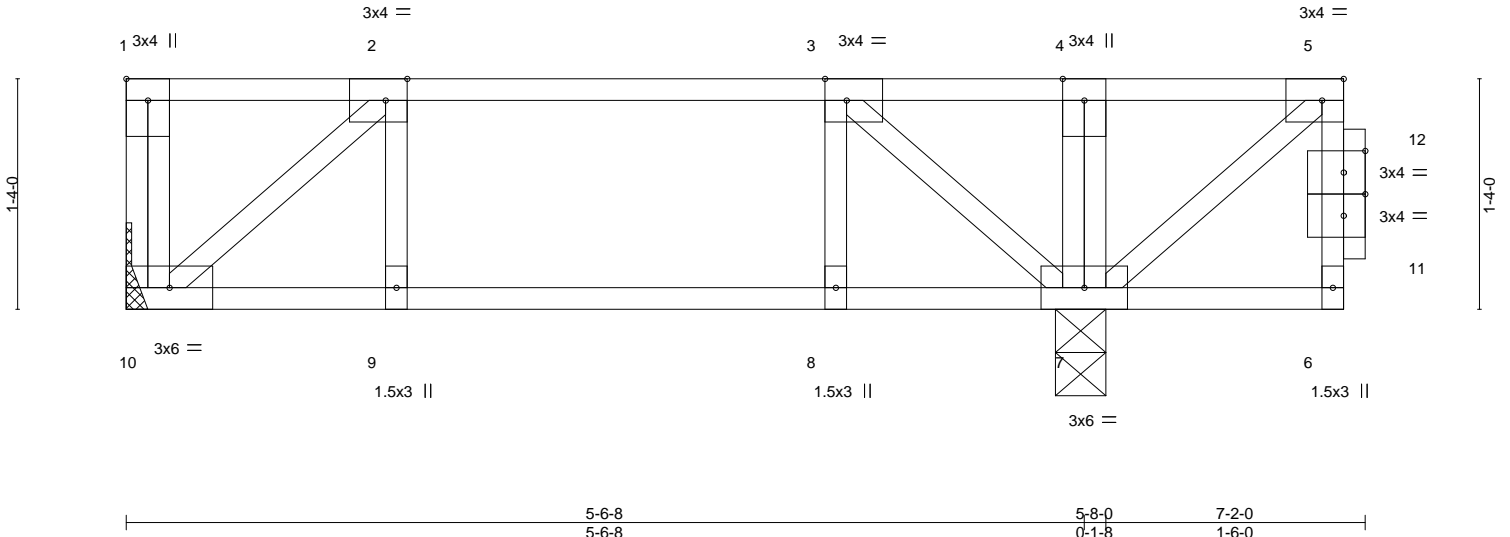
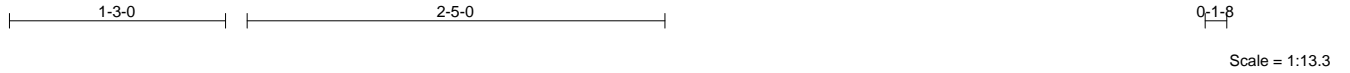
|  |  |
|--|--|
| <p><b>WARNING - Verify design parameters and READ NOTES ON THIS AND INCLUDED MITEK REFERENCE PAGE MII-7473 rev. 1/2/2023 BEFORE USE.</b></p> <p>Design valid for use only with MiTek® connectors. This design is based only upon parameters shown, and is for an individual building component, not a truss system. Before use, the building designer must verify the applicability of design parameters and properly incorporate this design into the overall building design. Bracing indicated is to prevent buckling of individual truss web and/or chord members only. Additional temporary and permanent bracing is always required for stability and to prevent collapse with possible personal injury and property damage. For general guidance regarding the fabrication, storage, delivery, erection and bracing of trusses and truss systems, see <b>ANSI/TPH Quality Criteria and DSB-22</b> available from Truss Plate Institute (www.tpinst.org) and <b>BCSI Building Component Safety Information</b> available from the Structural Building Component Association (www.sbcacomponents.com)</p> | <p>ENGINEERING BY</p>  <p>A MiTek Affiliate</p> <p>818 Soundside Road<br/>Edenton, NC 27932</p> |
|--|--|



|                   |              |                     |           |          |   |           |
|-------------------|--------------|---------------------|-----------|----------|---|-----------|
| Job<br>J0524-3232 | Truss<br>F05 | Truss Type<br>Floor | Qty<br>11 | Ply<br>1 | 135 Duncans Creek<br>Job Reference (optional) | 167082902 |
|-------------------|--------------|---------------------|-----------|----------|---|-----------|

Comtech, Inc. Fayetteville, NC - 28314,

8.630 s Jul 12 2024 MiTek Industries, Inc. Wed Jul 24 11:19:31 2024 Page 1  
ID:HVJPI?QcrqmDWmvVU0ooQVzjr0v-RfC?PsB70Hq3NSgPqnL8w3ulTXbGKWrcDoi7J4zJC?f



|                       |  |
|-----------------------|--|
| Plate Offsets (X,Y)-- | [1:Edge,0-1-8], [2:0-1-8,Edge], [3:0-1-8,Edge], [5:0-1-8,Edge], [11:0-1-8,0-1-8], [12:0-1-8,0-1-8] |
|-----------------------|--|

| LOADING (psf) | SPACING-             | 2-0-0 | CSI.     | DEFL.    | in (loc) | l/defl | L/d  | PLATES | GRIP          |                 |
|---------------|----------------------|-------|----------|----------|----------|--------|------|--------|---------------|-----------------|
| TCLL 40.0     | Plate Grip DOL       | 1.00  | TC 0.77  | Vert(LL) | -0.05    | 9      | >999 | 480    | MT20          | 244/190         |
| TCDL 10.0     | Lumber DOL           | 1.00  | BC 0.54  | Vert(CT) | -0.06    | 9      | >999 | 360    |               |                 |
| BCLL 0.0      | Rep Stress Incr      | NO    | WB 0.18  | Horz(CT) | 0.00     | 7      | n/a  | n/a    |               |                 |
| BCDL 5.0      | Code IRC2015/TPI2014 |       | Matrix-S |          |          |        |      |        |               |                 |
|               |                      |       |          |          |          |        |      |        | Weight: 41 lb | FT = 20%F, 11%E |

|                |                   |                 |   |
|----------------|-------------------|-----------------|---|
| <b>LUMBER-</b> |                   | <b>BRACING-</b> |   |
| TOP CHORD      | 2x4 SP No.1(flat) | TOP CHORD       | Structural wood sheathing directly applied or 6-0-0 oc purlins, except end verticals. |
| BOT CHORD      | 2x4 SP No.1(flat) | BOT CHORD       | Rigid ceiling directly applied or 6-0-0 oc bracing, Except: 10-0-0 oc bracing: 6-7.   |
| WEBS           | 2x4 SP No.3(flat) |                 |   |

**REACTIONS.** (size) 10=Mechanical, 7=0-3-8  
 Max Uplift 10=46(LC 4)  
 Max Grav 10=263(LC 3), 7=983(LC 1)

**FORCES.** (lb) - Max. Comp./Max. Ten. - All forces 250 (lb) or less except when shown.  
 TOP CHORD 3-4=0/590, 4-5=0/590  
 WEBS 2-10=-291/263, 3-7=-777/0, 5-7=-771/0

- NOTES-**
- 1) Unbalanced floor live loads have been considered for this design.
  - 2) Plates checked for a plus or minus 1 degree rotation about its center.
  - 3) Refer to girder(s) for truss to truss connections.
  - 4) Provide mechanical connection (by others) of truss to bearing plate capable of withstanding 46 lb uplift at joint 10.
  - 5) Recommend 2x6 strongbacks, on edge, spaced at 10-0-0 oc and fastened to each truss with 3-10d (0.131" X 3") nails. Strongbacks to be attached to walls at their outer ends or restrained by other means.
  - 6) CAUTION, Do not erect truss backwards.

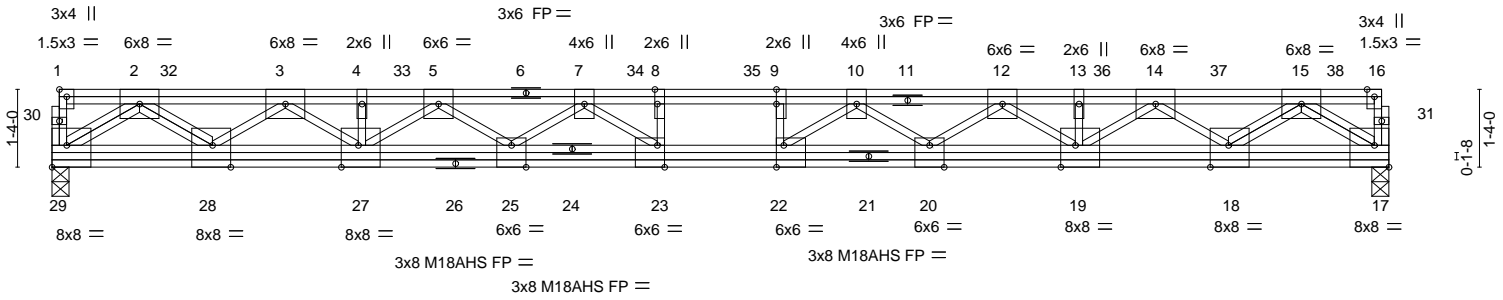
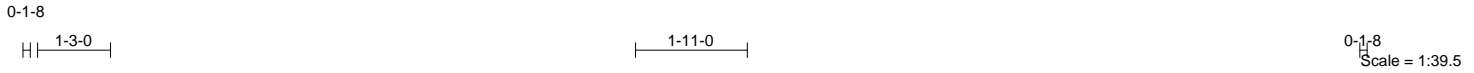
**LOAD CASE(S)** Standard  
 1) Dead + Floor Live (balanced): Lumber Increase=1.00, Plate Increase=1.00  
 Uniform Loads (plf)  
 Vert: 6-10=-10, 1-5=-100  
 Concentrated Loads (lb)  
 Vert: 5=400



|                   |                 |                            |          |          |   |           |
|-------------------|-----------------|----------------------------|----------|----------|---|-----------|
| Job<br>J0524-3232 | Truss<br>F05-GR | Truss Type<br>FLOOR GIRDER | Qty<br>1 | Ply<br>1 | 135 Duncans Creek<br>Job Reference (optional) | 167082903 |
|-------------------|-----------------|----------------------------|----------|----------|---|-----------|

Comtech, Inc. Fayetteville, NC - 28314,

8.630 s Jul 12 2024 MiTek Industries, Inc. Wed Jul 24 11:19:31 2024 Page 1  
ID:HVJPI?QcrqmDWmvVUooQVzjr0v-RfC?PsB70Hq3NSgPqnL8w3ulTXbGKWrCDoi7J4zJC?f



|                        |   |
|------------------------|---|
| Plate Offsets (X, Y)-- | [1:Edge,0-1-8], [8:0-3-0,Edge], [9:0-3-0,0-0], [17:Edge,0-4-8], [18:0-3-12,Edge], [19:0-3-0,Edge], [20:0-3-0,Edge], [22:0-1-8,Edge], [23:0-1-8,Edge], [25:0-3-0,Edge], [27:0-3-8,Edge], [28:0-3-12,Edge], [29:Edge,0-4-8] |
|------------------------|---|

| LOADING (psf) | SPACING-             | 1-7-0 | CSI.     | DEFL.    | in (loc)    | l/defl | L/d | PLATES         | GRIP            |
|---------------|----------------------|-------|----------|----------|-------------|--------|-----|----------------|-----------------|
| TCLL 40.0     | Plate Grip DOL       | 1.00  | TC 0.43  | Vert(LL) | -0.47 22-23 | >575   | 480 | MT20           | 244/190         |
| TCDL 10.0     | Lumber DOL           | 1.00  | BC 0.47  | Vert(CT) | -0.61 22-23 | >449   | 360 | M18AHS         | 186/179         |
| BCLL 0.0      | Rep Stress Incr      | NO    | WB 0.85  | Horz(CT) | 0.06 17     | n/a    | n/a |                |                 |
| BCDL 5.0      | Code IRC2015/TPI2014 |       | Matrix-S |          |             |        |     |                |                 |
|               |                      |       |          |          |             |        |     | Weight: 221 lb | FT = 20%F, 11%E |

| LUMBER-                           | BRACING-  |
|-----------------------------------|---|
| TOP CHORD 2x4 SP 2400F 2.0E(flat) | TOP CHORD Structural wood sheathing directly applied or 6-0-0 oc purlins, except end verticals. |
| BOT CHORD 2x4 SP 2400F 2.0E(flat) | BOT CHORD Rigid ceiling directly applied or 10-0-0 oc bracing.                                  |
| WEBS 2x4 SP No.3(flat)            |   |

**REACTIONS.** (size) 29=0-3-8, 17=0-3-8  
Max Grav 29=1944(LC 1), 17=2057(LC 1)

**FORCES.** (lb) - Max. Comp./Max. Ten. - All forces 250 (lb) or less except when shown.  
**TOP CHORD** 2-3=-4386/0, 3-4=-7711/0, 4-5=-7711/0, 5-7=-9847/0, 7-8=-10951/0, 8-9=-10951/0, 9-10=-10951/0, 10-12=-9842/0, 12-13=-7756/0, 13-14=-7756/0, 14-15=-4426/0  
**BOT CHORD** 28-29=0/2577, 27-28=0/6317, 25-27=0/9050, 23-25=0/10610, 22-23=0/10951, 20-22=0/10588, 19-20=0/9055, 18-19=0/6343, 17-18=0/2627  
**WEBS** 2-29=-3209/0, 2-28=0/2386, 3-28=-2445/0, 3-27=0/1766, 5-27=-1697/0, 5-25=0/1029, 7-25=-1011/42, 7-23=-124/615, 8-23=-294/12, 15-17=-3266/0, 15-18=0/2372, 14-18=-2429/0, 14-19=0/1790, 12-19=-1645/0, 12-20=0/1016, 10-20=-987/27, 10-22=-145/649, 9-22=-317/32

- NOTES-**
- Unbalanced floor live loads have been considered for this design.
  - All plates are MT20 plates unless otherwise indicated.
  - Plates checked for a plus or minus 1 degree rotation about its center.
  - Recommend 2x6 strongbacks, on edge, spaced at 10-0-0 oc and fastened to each truss with 3-10d (0.131" X 3") nails. Strongbacks to be attached to walls at their outer ends or restrained by other means.
  - Hanger(s) or other connection device(s) shall be provided sufficient to support concentrated load(s) 247 lb down and 125 lb up at 2-0-4, 247 lb down and 125 lb up at 4-0-4, 247 lb down and 125 lb up at 6-0-4, 247 lb down and 125 lb up at 8-0-4, 229 lb down and 125 lb up at 10-0-4, 201 lb down and 125 lb up at 12-0-4, 247 lb down and 125 lb up at 14-0-4, 247 lb down and 125 lb up at 16-0-4, 247 lb down and 125 lb up at 18-0-4, and 247 lb down and 125 lb up at 20-0-4, and 250 lb down and 115 lb up at 22-0-4 on top chord. The design/selection of such connection device(s) is the responsibility of others.
  - In the LOAD CASE(S) section, loads applied to the face of the truss are noted as front (F) or back (B).

**LOAD CASE(S)** Standard  
 1) Dead + Floor Live (balanced): Lumber Increase=1.00, Plate Increase=1.00  
 Uniform Loads (plf)  
 Vert: 17-29=-8, 1-16=-79  
 Concentrated Loads (lb)  
 Vert: 3=-184(F) 12=-184(F) 10=-184(F) 6=-184(F) 32=-184(F) 33=-184(F) 34=-184(F) 35=-184(F) 36=-184(F) 37=-184(F) 38=-196(F)



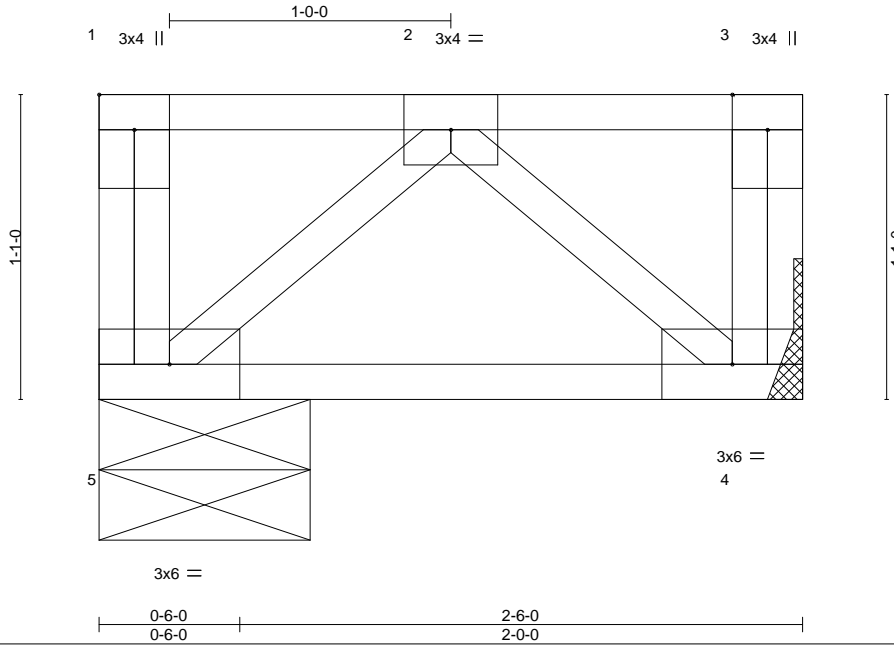


|                   |                 |                            |          |          |   |           |
|-------------------|-----------------|----------------------------|----------|----------|---|-----------|
| Job<br>J0524-3232 | Truss<br>F06-GR | Truss Type<br>FLOOR GIRDER | Qty<br>1 | Ply<br>1 | 135 Duncans Creek<br>Job Reference (optional) | I67082904 |
|-------------------|-----------------|----------------------------|----------|----------|---|-----------|

Comtech, Inc. Fayetteville, NC - 28314,

8.630 s Jul 12 2024 MiTek Industries, Inc. Wed Jul 24 11:19:32 2024 Page 1

ID:MRVdg0cxPqsK8U739DzMHizpZII-RfC?PsB70Hq3NSgPqnL8w3ulTXbGKWrCDoi7J4zJC?f



Scale = 1:8.2

| Plate Offsets (X,Y)-- [1:Edge,0-1-8] |                      |       |             |              |          |          |     |               |                 |
|--------------------------------------|----------------------|-------|-------------|--------------|----------|----------|-----|---------------|-----------------|
| <b>LOADING</b> (psf)                 | <b>SPACING-</b>      | 1-7-3 | <b>CSI.</b> | <b>DEFL.</b> | in (loc) | l/defl   | L/d | <b>PLATES</b> | <b>GRIP</b>     |
| TCLL 40.0                            | Plate Grip DOL       | 1.00  | TC 0.05     | Vert(LL)     | 0.00     | 5 ****   | 480 | MT20          | 244/190         |
| TCDL 10.0                            | Lumber DOL           | 1.00  | BC 0.12     | Vert(CT)     | -0.00    | 4-5 >999 | 360 |               |                 |
| BCLL 0.0                             | Rep Stress Incr      | NO    | WB 0.16     | Horz(CT)     | 0.00     | 4 n/a    | n/a |               |                 |
| BCDL 5.0                             | Code IRC2015/TPI2014 |       | Matrix-P    |              |          |          |     | Weight: 16 lb | FT = 20%F, 11%E |

| <b>LUMBER-</b> |                   | <b>BRACING-</b> |   |
|----------------|-------------------|-----------------|---|
| TOP CHORD      | 2x4 SP No.1(flat) | TOP CHORD       | Structural wood sheathing directly applied or 2-6-0 oc purlins, except end verticals. |
| BOT CHORD      | 2x4 SP No.1(flat) | BOT CHORD       | Rigid ceiling directly applied or 10-0-0 oc bracing.                                  |
| WEBS           | 2x4 SP No.3(flat) |                 |   |

**REACTIONS.** (size) 5=0-9-0, 4=Mechanical  
Max Grav 5=483(LC 1), 4=483(LC 1)

**FORCES.** (lb) - Max. Comp./Max. Ten. - All forces 250 (lb) or less except when shown.  
BOT CHORD 4-5=0/509  
WEBS 2-4=-669/0, 2-5=-669/0

**NOTES-**  
1) Plates checked for a plus or minus 1 degree rotation about its center.  
2) Refer to girder(s) for truss to truss connections.  
3) Recommend 2x6 strongbacks, on edge, spaced at 10-0-0 oc and fastened to each truss with 3-10d (0.131" X 3") nails. Strongbacks to be attached to walls at their outer ends or restrained by other means.

**LOAD CASE(S)** Standard  
1) Dead + Floor Live (balanced): Lumber Increase=1.00, Plate Increase=1.00  
Uniform Loads (plf)  
Vert: 4-5=-8, 1-3=-80  
Concentrated Loads (lb)  
Vert: 2=-769



July 26, 2024

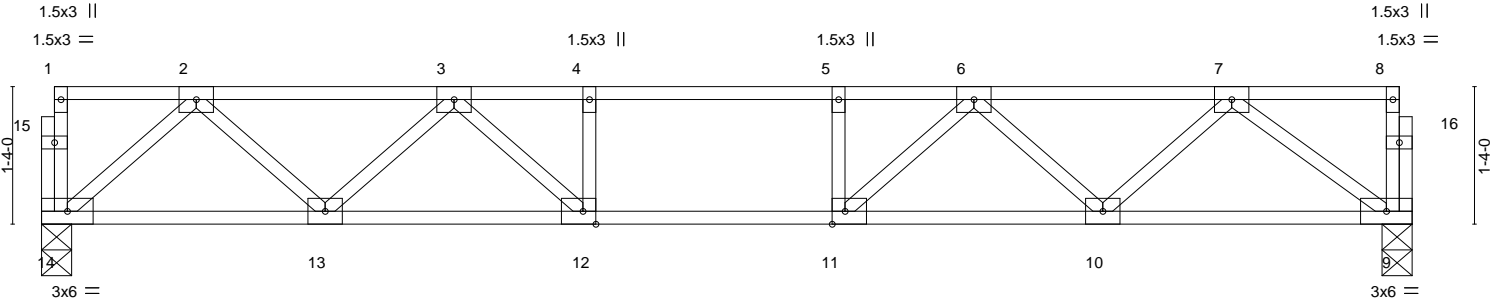
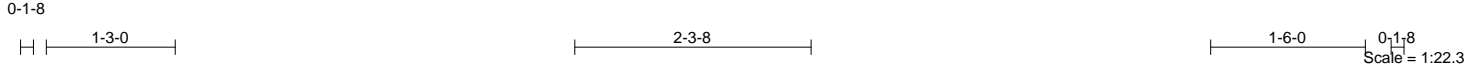
|   |   |
|---|---|
| <p><b>WARNING - Verify design parameters and READ NOTES ON THIS AND INCLUDED MITEK REFERENCE PAGE MII-7473 rev. 1/2/2023 BEFORE USE.</b><br/>Design valid for use only with MiTek® connectors. This design is based only upon parameters shown, and is for an individual building component, not a truss system. Before use, the building designer must verify the applicability of design parameters and properly incorporate this design into the overall building design. Bracing indicated is to prevent buckling of individual truss web and/or chord members only. Additional temporary and permanent bracing is always required for stability and to prevent collapse with possible personal injury and property damage. For general guidance regarding the fabrication, storage, delivery, erection and bracing of trusses and truss systems, see <b>ANSI/TPH Quality Criteria and DSB-22</b> available from Truss Plate Institute (www.tpinst.org) and <b>BCSI Building Component Safety Information</b> available from the Structural Building Component Association (www.sbcacomponents.com)</p> | <br>818 Soundside Road<br>Edenton, NC 27932 |
|---|---|

|                   |              |                     |          |          |   |           |
|-------------------|--------------|---------------------|----------|----------|---|-----------|
| Job<br>J0524-3232 | Truss<br>F07 | Truss Type<br>FLOOR | Qty<br>8 | Ply<br>1 | 135 Duncans Creek<br>Job Reference (optional) | 167082905 |
|-------------------|--------------|---------------------|----------|----------|---|-----------|

Comtech, Inc. Fayetteville, NC - 28314,

8.630 s Jul 12 2024 MiTek Industries, Inc. Wed Jul 24 11:19:32 2024 Page 1

ID:MRVdg0cxPqsK8U739DzMHizpZII-RfC?PsB70Hq3NSgPqnL8w3ulTXbGKWrCDoi7J4zJC?f



13-3-8  
13-3-8

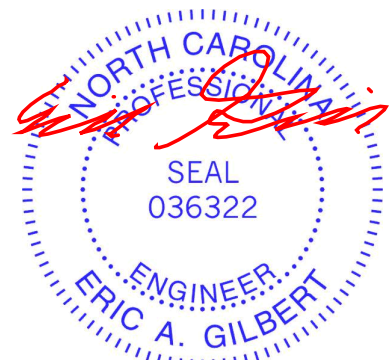
|                       |                                  |             |                                  |               |             |               |                 |
|-----------------------|----------------------------------|-------------|----------------------------------|---------------|-------------|---------------|-----------------|
| Plate Offsets (X,Y)-- | [11:0-1-8,Edge], [12:0-1-8,Edge] |             |                                  |               |             |               |                 |
| <b>LOADING</b> (psf)  | <b>SPACING-</b> 1-7-3            | <b>CSI.</b> | <b>DEFL.</b> in (loc) l/defl L/d | <b>PLATES</b> | <b>GRIP</b> |               |                 |
| TCLL 40.0             | Plate Grip DOL 1.00              | TC 0.36     | Vert(LL) -0.09 10-11 >999 480    | MT20          | 244/190     |               |                 |
| TCDL 10.0             | Lumber DOL 1.00                  | BC 0.39     | Vert(CT) -0.11 10-11 >999 360    |               |             |               |                 |
| BCLL 0.0              | Rep Stress Incr YES              | WB 0.24     | Horz(CT) 0.02 9 n/a n/a          |               |             |               |                 |
| BCDL 5.0              | Code IRC2015/TPI2014             | Matrix-S    |                                  |               |             | Weight: 68 lb | FT = 20%F, 11%E |

|                             |  |                 |   |
|-----------------------------|--|-----------------|---|
| <b>LUMBER-</b>              |  | <b>BRACING-</b> |   |
| TOP CHORD 2x4 SP No.1(flat) |  | TOP CHORD       | Structural wood sheathing directly applied or 6-0-0 oc purlins, except end verticals. |
| BOT CHORD 2x4 SP No.1(flat) |  | BOT CHORD       | Rigid ceiling directly applied or 10-0-0 oc bracing.                                  |
| WEBS 2x4 SP No.3(flat)      |  |                 |   |


**REACTIONS.** (size) 14=0-3-8, 9=0-3-8  
Max Grav 14=568(LC 1), 9=568(LC 1)

**FORCES.** (lb) - Max. Comp./Max. Ten. - All forces 250 (lb) or less except when shown.  
TOP CHORD 2-3=-970/0, 3-4=-1514/0, 4-5=-1514/0, 5-6=-1514/0, 6-7=-1042/0  
BOT CHORD 13-14=0/608, 12-13=0/1311, 11-12=0/1514, 10-11=0/1356, 9-10=0/700  
WEBS 7-9=-870/0, 7-10=0/476, 6-10=-436/0, 6-11=0/385, 2-14=-807/0, 2-13=0/503, 3-13=-475/0, 3-12=0/429

- NOTES-**
- 1) Unbalanced floor live loads have been considered for this design.
  - 2) All plates are 3x4 MT20 unless otherwise indicated.
  - 3) Plates checked for a plus or minus 1 degree rotation about its center.
  - 4) Recommend 2x6 strongbacks, on edge, spaced at 10-0-0 oc and fastened to each truss with 3-10d (0.131" X 3") nails. Strongbacks to be attached to walls at their outer ends or restrained by other means.



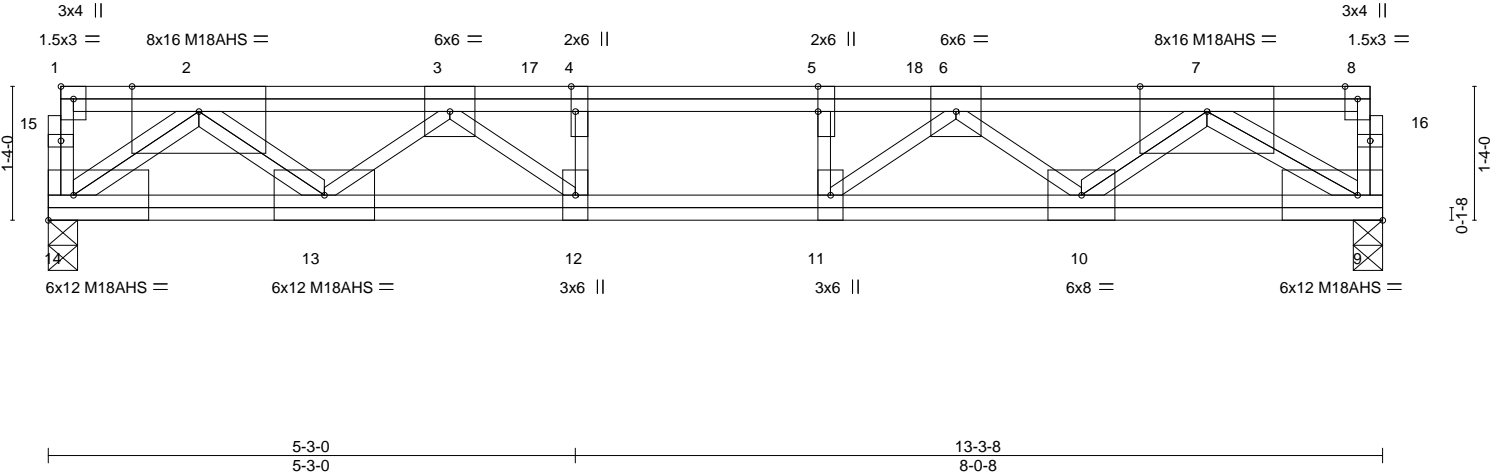
July 26, 2024

|  |   |
|--|---|
| <p><b>WARNING - Verify design parameters and READ NOTES ON THIS AND INCLUDED MITEK REFERENCE PAGE MII-7473 rev. 1/2/2023 BEFORE USE.</b></p> <p>Design valid for use only with MiTek® connectors. This design is based only upon parameters shown, and is for an individual building component, not a truss system. Before use, the building designer must verify the applicability of design parameters and properly incorporate this design into the overall building design. Bracing indicated is to prevent buckling of individual truss web and/or chord members only. Additional temporary and permanent bracing is always required for stability and to prevent collapse with possible personal injury and property damage. For general guidance regarding the fabrication, storage, delivery, erection and bracing of trusses and truss systems, see <b>ANSI/TPH Quality Criteria and DSB-22</b> available from Truss Plate Institute (www.tpinst.org) and <b>BCSI Building Component Safety Information</b> available from the Structural Building Component Association (www.sbcacomponents.com)</p> | <p>ENGINEERING BY</p>  <p>818 Soundside Road<br/>Edenton, NC 27932</p> |
|--|---|

|                   |              |                     |          |          |   |           |
|-------------------|--------------|---------------------|----------|----------|---|-----------|
| Job<br>J0524-3232 | Truss<br>F08 | Truss Type<br>FLOOR | Qty<br>1 | Ply<br>1 | 135 Duncans Creek<br>Job Reference (optional) | 167082906 |
|-------------------|--------------|---------------------|----------|----------|---|-----------|

Comtech, Inc. Fayetteville, NC - 28314,

8.630 s Jul 12 2024 MiTek Industries, Inc. Wed Jul 24 11:19:32 2024 Page 1  
ID:MRVdg0cxPqsK8U739DzMHizpZII-RfC?PsB70Hq3NSgPqnL8w3ulTXbGKWrCDoi7J4zJC?f



|                       |   |             |                                  |                |                                |
|-----------------------|---|-------------|----------------------------------|----------------|--------------------------------|
| Plate Offsets (X,Y)-- | [1:Edge,0-1-8], [4:0-3-0,Edge], [5:0-3-0,0-0-0] |             |                                  |                |                                |
| <b>LOADING</b> (psf)  | <b>SPACING-</b> 1-7-3                           | <b>CSI.</b> | <b>DEFL.</b> in (loc) l/defl L/d | <b>PLATES</b>  | <b>GRIP</b>                    |
| TCLL 40.0             | Plate Grip DOL 1.00                             | TC 0.71     | Vert(LL) -0.17 11-12 >903 480    | MT20 244/190   |                                |
| TCDL 10.0             | Lumber DOL 1.00                                 | BC 0.94     | Vert(CT) -0.24 11-12 >656 360    | M18AHS 186/179 |                                |
| BCLL 0.0              | Rep Stress Incr NO                              | WB 0.63     | Horz(CT) 0.06 9 n/a n/a          |                |                                |
| BCDL 5.0              | Code IRC2015/TPI2014                            | Matrix-S    |                                  |                | Weight: 113 lb FT = 20%F, 11%E |

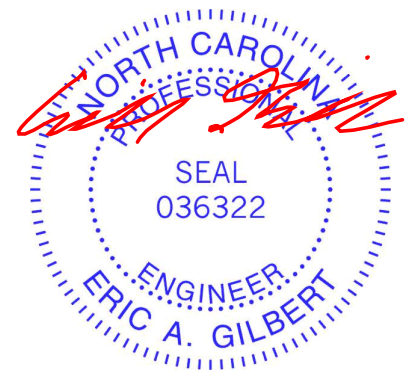
|                             |   |
|-----------------------------|---|
| <b>LUMBER-</b>              | <b>BRACING-</b>   |
| TOP CHORD 2x4 SP No.1(flat) | TOP CHORD Structural wood sheathing directly applied or 6-0-0 oc purlins, except end verticals. |
| BOT CHORD 2x4 SP No.1(flat) | BOT CHORD Rigid ceiling directly applied or 10-0-0 oc bracing.                                  |
| WEBS 2x4 SP No.3(flat)      |   |

**REACTIONS.** (size) 14=0-3-8, 9=0-3-8  
Max Grav 14=3530(LC 1), 9=3475(LC 1)

**FORCES.** (lb) - Max. Comp./Max. Ten. - All forces 250 (lb) or less except when shown.  
TOP CHORD 1-14=-255/0, 8-9=-360/0, 2-3=-5942/0, 3-4=-7920/0, 4-5=-7920/0, 5-6=-7920/0, 6-7=-6134/0  
BOT CHORD 13-14=0/4146, 12-13=0/7869, 11-12=0/7920, 10-11=0/7796, 9-10=0/4605  
WEBS 3-13=-2504/0, 2-14=-5261/0, 6-10=-2159/0, 6-11=-28/336, 2-13=0/2425, 7-9=-5528/0, 7-10=0/2052

- NOTES-**
- 1) Unbalanced floor live loads have been considered for this design.
  - 2) All plates are MT20 plates unless otherwise indicated.
  - 3) Plates checked for a plus or minus 1 degree rotation about its center.
  - 4) Magnitude of user added load(s) on this truss have been applied uniformly across all gravity load cases with no adjustments.
  - 5) Recommend 2x6 strongbacks, on edge, spaced at 10-0-0 oc and fastened to each truss with 3-10d (0.131" X 3") nails. Strongbacks to be attached to walls at their outer ends or restrained by other means.

**LOAD CASE(S)** Standard  
1) Dead + Floor Live (balanced): Lumber Increase=1.00, Plate Increase=1.00  
Uniform Loads (plf)  
Vert: 9-14=-8, 1-17=-726, 17-18=-80, 8-18=-726

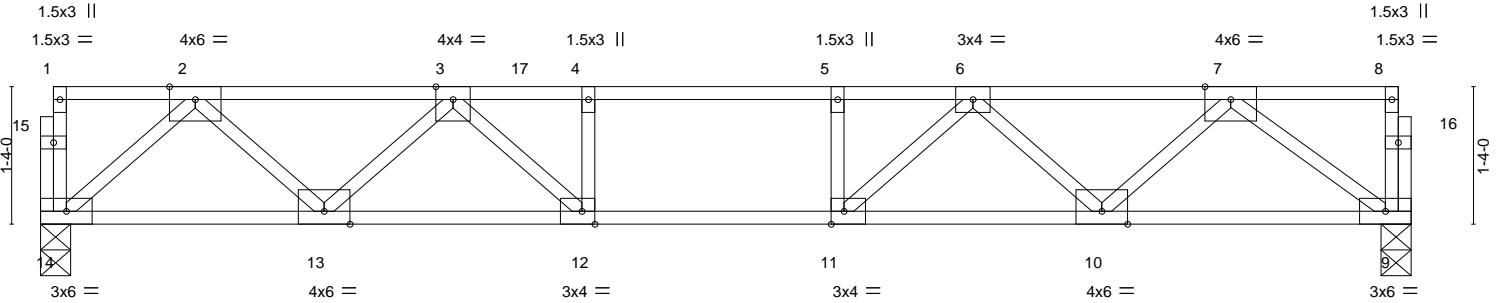
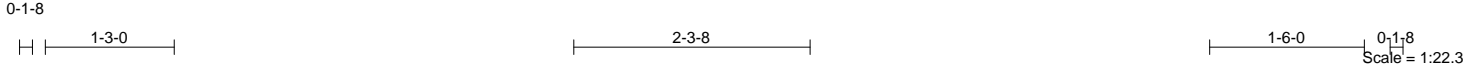


|                   |              |                     |          |          |   |           |
|-------------------|--------------|---------------------|----------|----------|---|-----------|
| Job<br>J0524-3232 | Truss<br>F09 | Truss Type<br>FLOOR | Qty<br>2 | Ply<br>1 | 135 Duncans Creek<br>Job Reference (optional) | 167082907 |
|-------------------|--------------|---------------------|----------|----------|---|-----------|

Comtech, Inc. Fayetteville, NC - 28314,

8.630 s Jul 12 2024 MiTek Industries, Inc. Wed Jul 24 11:19:33 2024 Page 1

ID:MRVdg0cxPqsK8U739DzMHizpZII-RfC?PsB70Hq3NSgPqnL8w3ulTXbGKWrCDoi7J4zJC?f



13-3-8  
13-3-8

|                        |                                  |             |                                  |               |                 |
|------------------------|----------------------------------|-------------|----------------------------------|---------------|-----------------|
| Plate Offsets (X, Y)-- | [11:0-1-8,Edge], [12:0-1-8,Edge] |             |                                  |               |                 |
| <b>LOADING</b> (psf)   | <b>SPACING-</b> 1-7-3            | <b>CSI.</b> | <b>DEFL.</b> in (loc) l/defl L/d | <b>PLATES</b> | <b>GRIP</b>     |
| TCLL 40.0              | Plate Grip DOL 1.00              | TC 0.82     | Vert(LL) -0.17 12-13 >922 480    | MT20          | 244/190         |
| TCDL 10.0              | Lumber DOL 1.00                  | BC 1.00     | Vert(CT) -0.22 12-13 >700 360    |               |                 |
| BCLL 0.0               | Rep Stress Incr NO               | WB 0.72     | Horz(CT) 0.05 9 n/a n/a          |               |                 |
| BCDL 5.0               | Code IRC2015/TPI2014             | Matrix-S    |                                  | Weight: 68 lb | FT = 20%F, 11%E |

**LUMBER-**

TOP CHORD 2x4 SP 2400F 2.0E(flat)  
 BOT CHORD 2x4 SP No.1(flat)  
 WEBS 2x4 SP No.3(flat)

**BRACING-**

TOP CHORD Structural wood sheathing directly applied or 6-0-0 oc purlins, except end verticals.  
 BOT CHORD Rigid ceiling directly applied or 10-0-0 oc bracing.

**REACTIONS.**

(size) 14=0-3-8, 9=0-3-8  
 Max Grav 14=1243(LC 1), 9=1294(LC 1)

**FORCES.** (lb) - Max. Comp./Max. Ten. - All forces 250 (lb) or less except when shown.

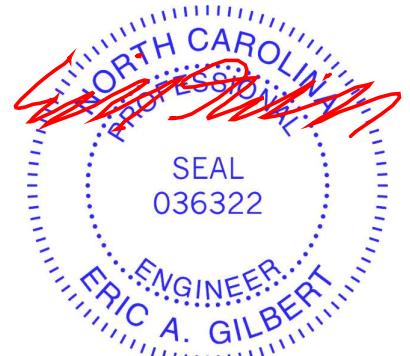
TOP CHORD 2-3=-2450/0, 3-4=-4051/0, 4-5=-4051/0, 5-6=-4051/0, 6-7=-2753/0  
 BOT CHORD 13-14=0/1359, 12-13=0/3506, 11-12=0/4051, 10-11=0/3824, 9-10=0/1670  
 WEBS 2-14=-1806/0, 2-13=0/1518, 3-13=-1468/0, 3-12=0/896, 4-12=-578/0, 7-9=-2078/0, 7-10=0/1507, 6-10=-1489/0, 6-11=0/481

**NOTES-**

- 1) Unbalanced floor live loads have been considered for this design.
- 2) Plates checked for a plus or minus 1 degree rotation about its center.
- 3) Magnitude of user added load(s) on this truss have been applied uniformly across all gravity load cases with no adjustments.
- 4) Recommend 2x6 strongbacks, on edge, spaced at 10-0-0 oc and fastened to each truss with 3-10d (0.131" X 3") nails. Strongbacks to be attached to walls at their outer ends or restrained by other means.

**LOAD CASE(S)** Standard

- 1) Dead + Floor Live (balanced): Lumber Increase=1.00, Plate Increase=1.00  
 Uniform Loads (plf)  
 Vert: 9-14=-8, 1-8=-80  
 Concentrated Loads (lb)  
 Vert: 6=-700 17=-700



July 26, 2024

**WARNING - Verify design parameters and READ NOTES ON THIS AND INCLUDED MITEK REFERENCE PAGE MII-7473 rev. 1/2/2023 BEFORE USE.**

Design valid for use only with MiTek® connectors. This design is based only upon parameters shown, and is for an individual building component, not a truss system. Before use, the building designer must verify the applicability of design parameters and properly incorporate this design into the overall building design. Bracing indicated is to prevent buckling of individual truss web and/or chord members only. Additional temporary and permanent bracing is always required for stability and to prevent collapse with possible personal injury and property damage. For general guidance regarding the fabrication, storage, delivery, erection and bracing of trusses and truss systems, see **ANSI/TPH Quality Criteria and DSB-22** available from Truss Plate Institute (www.tpinst.org) and **BCSI Building Component Safety Information** available from the Structural Building Component Association (www.sbcacomponents.com)



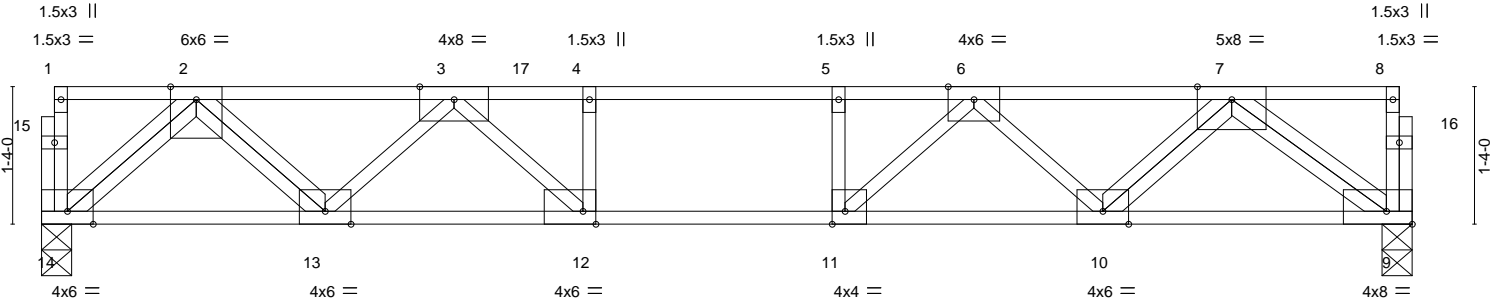
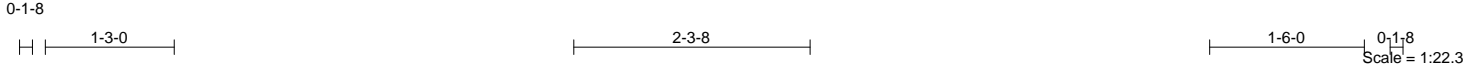
818 Soundside Road  
 Edenton, NC 27932

|                   |              |                     |          |          |   |           |
|-------------------|--------------|---------------------|----------|----------|---|-----------|
| Job<br>J0524-3232 | Truss<br>F10 | Truss Type<br>FLOOR | Qty<br>1 | Ply<br>1 | 135 Duncans Creek<br>Job Reference (optional) | 167082908 |
|-------------------|--------------|---------------------|----------|----------|---|-----------|

Comtech, Inc. Fayetteville, NC - 28314,

8.630 s Jul 12 2024 MiTek Industries, Inc. Wed Jul 24 11:19:33 2024 Page 1

ID:MRVdg0cxPqsK8U739DzMHizpZII-RfC?PsB70Hq3NSgPqnL8w3ulTXbGKWrCDoi7J4zJC?f



|                       |  |
|-----------------------|--|
| Plate Offsets (X,Y)-- | [9:Edge,0-1-8], [11:0-1-8,Edge], [12:0-1-8,Edge] |
|-----------------------|--|

| LOADING (psf) | SPACING-             | 1-7-3 | CSI.     | DEFL.    | in (loc) | l/defl | L/d  | PLATES        | GRIP            |
|---------------|----------------------|-------|----------|----------|----------|--------|------|---------------|-----------------|
| TCLL 40.0     | Plate Grip DOL       | 1.00  | TC 0.88  | Vert(LL) | -0.19    | 11     | >834 | MT20          | 244/190         |
| TCDL 10.0     | Lumber DOL           | 1.00  | BC 0.73  | Vert(CT) | -0.25    | 11     | >627 |               |                 |
| BCLL 0.0      | Rep Stress Incr      | NO    | WB 0.78  | Horz(CT) | 0.06     | 9      | n/a  |               |                 |
| BCDL 5.0      | Code IRC2015/TPI2014 |       | Matrix-S |          |          |        |      |               |                 |
|               |                      |       |          |          |          |        |      | Weight: 78 lb | FT = 20%F, 11%E |

| LUMBER-                           | BRACING-  |
|-----------------------------------|---|
| TOP CHORD 2x4 SP 2400F 2.0E(flat) | TOP CHORD Structural wood sheathing directly applied or 5-0-0 oc purlins, except end verticals. |
| BOT CHORD 2x4 SP 2400F 2.0E(flat) | BOT CHORD Rigid ceiling directly applied or 10-0-0 oc bracing.                                  |
| WEBS 2x4 SP No.3(flat)            |   |

**REACTIONS.** (size) 14=0-3-8, 9=0-3-8  
Max Grav 14=1658(LC 1), 9=1741(LC 1)

**FORCES.** (lb) - Max. Comp./Max. Ten. - All forces 250 (lb) or less except when shown.  
TOP CHORD 2-3=-3286/0, 3-4=-5920/0, 4-5=-5920/0, 5-6=-5920/0, 6-7=-3766/0  
BOT CHORD 13-14=0/1834, 12-13=0/4830, 11-12=0/5920, 10-11=0/5346, 9-10=0/2258  
WEBS 2-14=-2439/0, 2-13=0/2059, 3-13=-2110/0, 3-12=0/1633, 4-12=-1038/0, 7-9=-2818/0, 7-10=0/2128, 6-10=-2159/0, 6-11=0/949, 5-11=-590/0

**NOTES-**  
1) Unbalanced floor live loads have been considered for this design.  
2) Plates checked for a plus or minus 1 degree rotation about its center.  
3) Magnitude of user added load(s) on this truss have been applied uniformly across all gravity load cases with no adjustments.  
4) Recommend 2x6 strongbacks, on edge, spaced at 10-0-0 oc and fastened to each truss with 3-10d (0.131" X 3") nails. Strongbacks to be attached to walls at their outer ends or restrained by other means.

**LOAD CASE(S)** Standard  
1) Dead + Floor Live (balanced): Lumber Increase=1.00, Plate Increase=1.00  
Uniform Loads (plf)  
Vert: 9-14=-8, 1-17=-80, 6-17=-280, 6-8=-80  
Concentrated Loads (lb)  
Vert: 6=-700 17=-700



July 26, 2024

|  |   |
|--|---|
| <p><b>WARNING - Verify design parameters and READ NOTES ON THIS AND INCLUDED MITEK REFERENCE PAGE MII-7473 rev. 1/2/2023 BEFORE USE.</b></p> <p>Design valid for use only with MiTek® connectors. This design is based only upon parameters shown, and is for an individual building component, not a truss system. Before use, the building designer must verify the applicability of design parameters and properly incorporate this design into the overall building design. Bracing indicated is to prevent buckling of individual truss web and/or chord members only. Additional temporary and permanent bracing is always required for stability and to prevent collapse with possible personal injury and property damage. For general guidance regarding the fabrication, storage, delivery, erection and bracing of trusses and truss systems, see <b>ANSI/TPH Quality Criteria and DSB-22</b> available from Truss Plate Institute (www.tpinst.org) and <b>BCSI Building Component Safety Information</b> available from the Structural Building Component Association (www.sbcacomponents.com)</p> | <br>818 Soundside Road<br>Edenton, NC 27932 |
|--|---|

|                   |               |                                    |          |          |   |           |
|-------------------|---------------|------------------------------------|----------|----------|---|-----------|
| Job<br>J0524-3232 | Truss<br>FKW1 | Truss Type<br>FLOOR SUPPORTED GABL | Qty<br>1 | Ply<br>1 | 135 Duncans Creek<br>Job Reference (optional) | 167082909 |
|-------------------|---------------|------------------------------------|----------|----------|---|-----------|

Comtech, Inc. Fayetteville, NC - 28314,

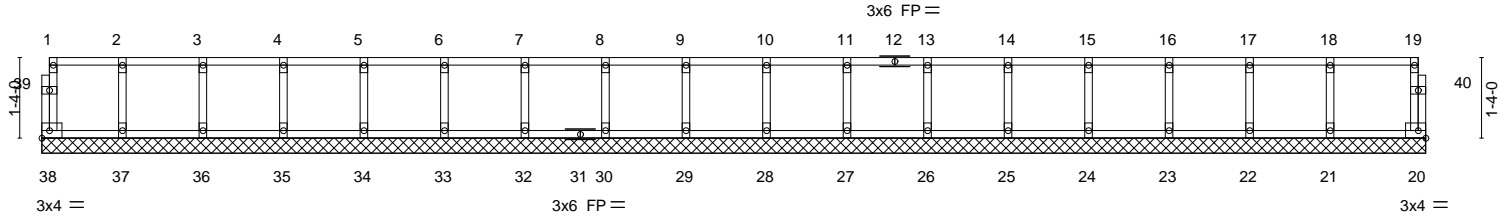
8.630 s Jul 12 2024 MiTek Industries, Inc. Wed Jul 24 11:19:33 2024 Page 1

ID:MRVdg0cxPqsK8U739DzMHizpZII-RfC?PsB70Hq3NSgPqnL8w3ulTXbGKWrCDoi7J4zJC?f

0-1-8

0-1-8

Scale = 1:38.2



22-11-0  
22-11-0

| LOADING (psf) | SPACING-                     | CSI.     | DEFL.    | in (loc) | l/defl | L/d | PLATES        | GRIP            |
|---------------|------------------------------|----------|----------|----------|--------|-----|---------------|-----------------|
| TCLL 40.0     | 2-0-0<br>Plate Grip DOL 1.00 | TC 0.09  | Vert(LL) | n/a      | -      | n/a | MT20          | 244/190         |
| TCDL 10.0     | Lumber DOL 1.00              | BC 0.01  | Vert(CT) | n/a      | -      | n/a |               |                 |
| BCLL 0.0      | Rep Stress Incr YES          | WB 0.03  | Horz(CT) | 0.00     | 20     | n/a |               |                 |
| BCDL 5.0      | Code IRC2015/TPI2014         | Matrix-R |          |          |        |     | Weight: 99 lb | FT = 20%F, 11%E |

**LUMBER-**  
TOP CHORD 2x4 SP No.1(flat)  
BOT CHORD 2x4 SP No.1(flat)  
WEBS 2x4 SP No.3(flat)  
OTHERS 2x4 SP No.3(flat)

**BRACING-**  
TOP CHORD Structural wood sheathing directly applied or 6-0-0 oc purlins, except end verticals.  
BOT CHORD Rigid ceiling directly applied or 10-0-0 oc bracing.

**REACTIONS.** All bearings 22-11-0.  
(lb) - Max Grav All reactions 250 lb or less at joint(s) 38, 20, 37, 36, 35, 34, 33, 32, 30, 29, 28, 27, 26, 25, 24, 23, 22, 21

**FORCES.** (lb) - Max. Comp./Max. Ten. - All forces 250 (lb) or less except when shown.

**NOTES-**  
1) All plates are 1.5x3 MT20 unless otherwise indicated.  
2) Plates checked for a plus or minus 1 degree rotation about its center.  
3) Gable requires continuous bottom chord bearing.  
4) Truss to be fully sheathed from one face or securely braced against lateral movement (i.e. diagonal web).  
5) Gable studs spaced at 1-4-0 oc.  
6) Recommend 2x6 strongbacks, on edge, spaced at 10-0-0 oc and fastened to each truss with 3-10d (0.131" X 3") nails.  
Strongbacks to be attached to walls at their outer ends or restrained by other means.



July 26, 2024

**WARNING - Verify design parameters and READ NOTES ON THIS AND INCLUDED MITEK REFERENCE PAGE MII-7473 rev. 1/2/2023 BEFORE USE.**  
Design valid for use only with MiTek® connectors. This design is based only upon parameters shown, and is for an individual building component, not a truss system. Before use, the building designer must verify the applicability of design parameters and properly incorporate this design into the overall building design. Bracing indicated is to prevent buckling of individual truss web and/or chord members only. Additional temporary and permanent bracing is always required for stability and to prevent collapse with possible personal injury and property damage. For general guidance regarding the fabrication, storage, delivery, erection and bracing of trusses and truss systems, see **ANSI/TP1 Quality Criteria and DSB-22** available from Truss Plate Institute (www.tpinst.org) and **BCSI Building Component Safety Information** available from the Structural Building Component Association (www.sbcacomponents.com)



818 Soundside Road  
Edenton, NC 27932

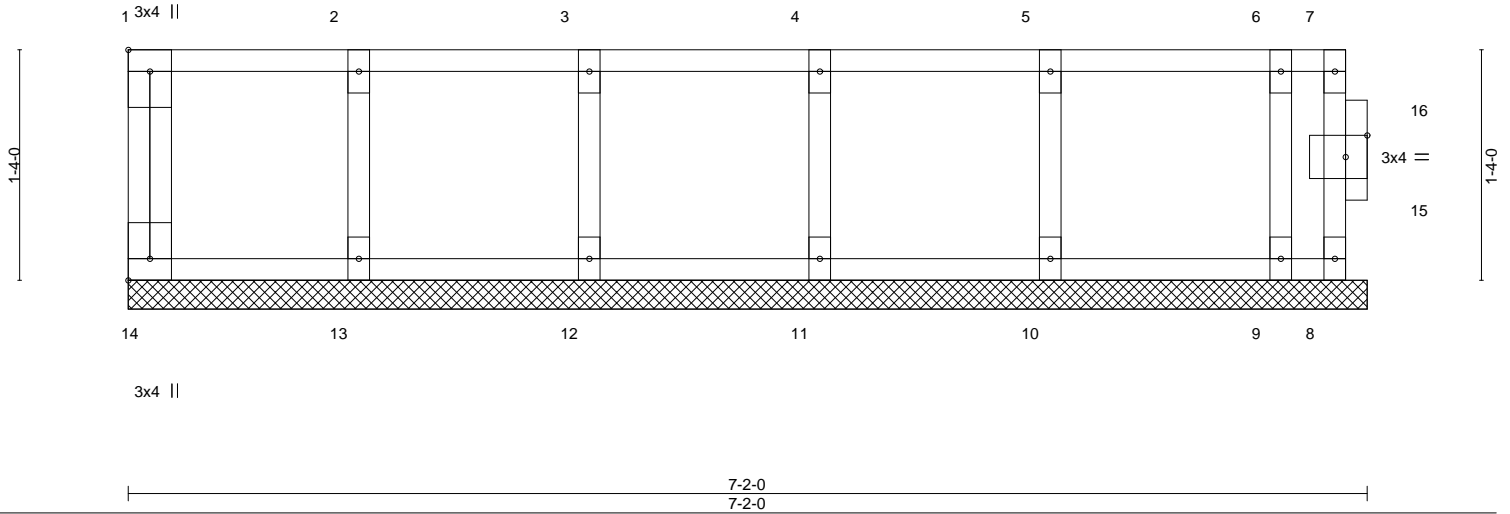
|                   |               |                                     |          |          |   |           |
|-------------------|---------------|-------------------------------------|----------|----------|---|-----------|
| Job<br>J0524-3232 | Truss<br>FKW2 | Truss Type<br>Floor Supported Gable | Qty<br>1 | Ply<br>1 | 135 Duncans Creek<br>Job Reference (optional) | I67082910 |
|-------------------|---------------|-------------------------------------|----------|----------|---|-----------|

Comtech, Inc. Fayetteville, NC - 28314,

8.630 s Jul 12 2024 MiTek Industries, Inc. Wed Jul 24 11:19:34 2024 Page 1  
ID:HVJPI?QcrqmDWmvVuo0oQVzjr0v-RfC?PsB70Hq3NSgPqnL8w3uITXbGKWrcD0i7J4zJC?f

0-1-8

Scale = 1:13.3



|                       |   |             |                                  |               |                 |
|-----------------------|---|-------------|----------------------------------|---------------|-----------------|
| Plate Offsets (X,Y)-- | [1:Edge,0-1-8], [14:Edge,0-1-8], [15:0-1-8,0-1-8] |             |                                  |               |                 |
| <b>LOADING</b> (psf)  | <b>SPACING-</b> 1-7-3                             | <b>CSI.</b> | <b>DEFL.</b> in (loc) l/defl L/d | <b>PLATES</b> | <b>GRIP</b>     |
| TCLL 40.0             | Plate Grip DOL 1.00                               | TC 0.05     | Vert(LL) n/a - n/a 999           | MT20          | 244/190         |
| TCDL 10.0             | Lumber DOL 1.00                                   | BC 0.01     | Vert(CT) n/a - n/a 999           |               |                 |
| BCLL 0.0              | Rep Stress Incr YES                               | WB 0.03     | Horz(CT) 0.00 8 n/a n/a          |               |                 |
| BCDL 5.0              | Code IRC2015/TPI2014                              | Matrix-R    |                                  |               |                 |
|                       |   |             |                                  | Weight: 35 lb | FT = 20%F, 11%E |

|                             |   |
|-----------------------------|---|
| <b>LUMBER-</b>              | <b>BRACING-</b>   |
| TOP CHORD 2x4 SP No.1(flat) | TOP CHORD Structural wood sheathing directly applied or 6-0-0 oc purlins, except end verticals. |
| BOT CHORD 2x4 SP No.1(flat) | BOT CHORD Rigid ceiling directly applied or 10-0-0 oc bracing.                                  |
| WEBS 2x4 SP No.3(flat)      |   |
| OTHERS 2x4 SP No.3(flat)    |   |

**REACTIONS.** All bearings 7-2-0.  
(lb) - Max Grav All reactions 250 lb or less at joint(s) 14, 8, 13, 12, 11, 10, 9

**FORCES.** (lb) - Max. Comp./Max. Ten. - All forces 250 (lb) or less except when shown.

- NOTES-**
- 1) All plates are 1.5x3 MT20 unless otherwise indicated.
  - 2) Plates checked for a plus or minus 1 degree rotation about its center.
  - 3) Gable requires continuous bottom chord bearing.
  - 4) Truss to be fully sheathed from one face or securely braced against lateral movement (i.e. diagonal web).
  - 5) Gable studs spaced at 1-4-0 oc.
  - 6) Recommend 2x6 strongbacks, on edge, spaced at 10-0-0 oc and fastened to each truss with 3-10d (0.131" X 3") nails. Strongbacks to be attached to walls at their outer ends or restrained by other means.
  - 7) CAUTION, Do not erect truss backwards.

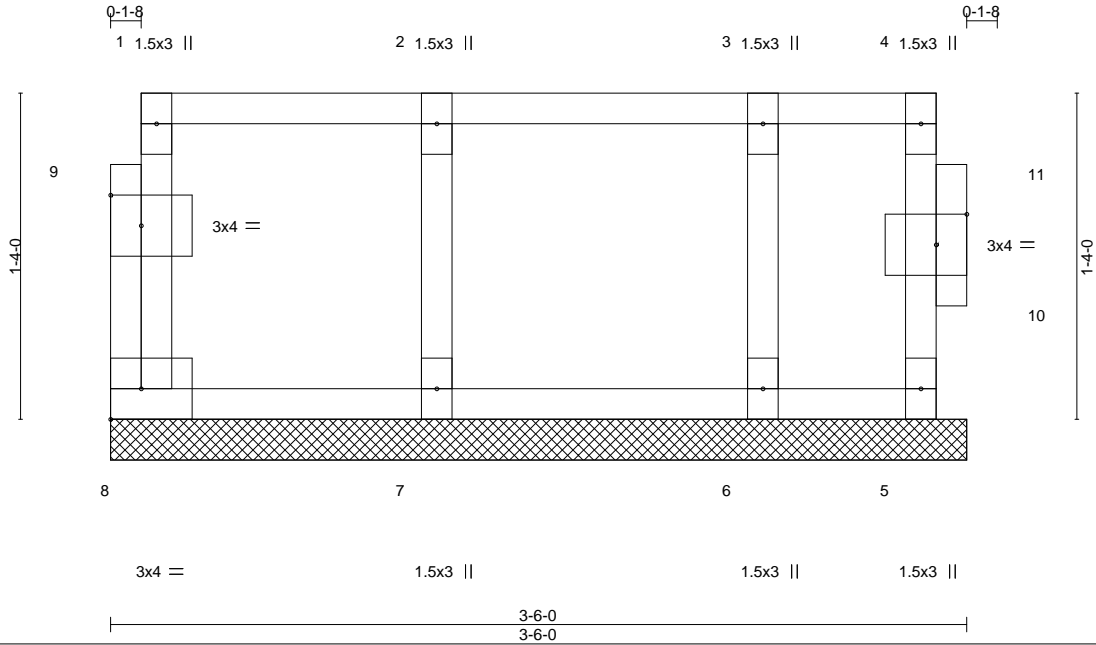


July 26, 2024

|                   |               |                                    |          |          |   |           |
|-------------------|---------------|------------------------------------|----------|----------|---|-----------|
| Job<br>J0524-3232 | Truss<br>FKW3 | Truss Type<br>FLOOR SUPPORTED GABL | Qty<br>1 | Ply<br>1 | 135 Duncans Creek<br>Job Reference (optional) | 167082911 |
|-------------------|---------------|------------------------------------|----------|----------|---|-----------|

Comtech, Inc. Fayetteville, NC - 28314,

8.630 s Jul 12 2024 MiTek Industries, Inc. Wed Jul 24 11:19:34 2024 Page 1  
ID:MRVdg0cxPqsK8U739DzMHizpZII-RfC?PsB70Hq3NSgPqnL8w3ulTXbGKWrCDoi7J4zJC?f



Scale = 1:9.4

|                       |                                   |             |                                  |               |                 |
|-----------------------|-----------------------------------|-------------|----------------------------------|---------------|-----------------|
| Plate Offsets (X,Y)-- | [9:0-1-8,0-1-8], [10:0-1-8,0-1-8] |             |                                  |               |                 |
| <b>LOADING</b> (psf)  | <b>SPACING-</b> 2-0-0             | <b>CSI.</b> | <b>DEFL.</b> in (loc) l/defl L/d | <b>PLATES</b> | <b>GRIP</b>     |
| TCLL 40.0             | Plate Grip DOL 1.00               | TC 0.06     | Vert(LL) n/a - n/a 999           | MT20          | 244/190         |
| TCDL 10.0             | Lumber DOL 1.00                   | BC 0.01     | Vert(CT) n/a - n/a 999           |               |                 |
| BCLL 0.0              | Rep Stress Incr YES               | WB 0.03     | Horz(CT) 0.00 5 n/a n/a          |               |                 |
| BCDL 5.0              | Code IRC2015/TPI2014              | Matrix-R    |                                  |               |                 |
|                       |                                   |             |                                  | Weight: 19 lb | FT = 20%F, 11%E |

|                             |   |
|-----------------------------|---|
| <b>LUMBER-</b>              | <b>BRACING-</b>   |
| TOP CHORD 2x4 SP No.1(flat) | TOP CHORD Structural wood sheathing directly applied or 3-6-0 oc purlins, except end verticals. |
| BOT CHORD 2x4 SP No.1(flat) | BOT CHORD Rigid ceiling directly applied or 10-0-0 oc bracing.                                  |
| WEBS 2x4 SP No.3(flat)      |   |
| OTHERS 2x4 SP No.3(flat)    |   |

**REACTIONS.** All bearings 3-6-0.  
(lb) - Max Grav All reactions 250 lb or less at joint(s) 8, 5, 7, 6

**FORCES.** (lb) - Max. Comp./Max. Ten. - All forces 250 (lb) or less except when shown.

- NOTES-**
- 1) Plates checked for a plus or minus 1 degree rotation about its center.
  - 2) Gable requires continuous bottom chord bearing.
  - 3) Truss to be fully sheathed from one face or securely braced against lateral movement (i.e. diagonal web).
  - 4) Gable studs spaced at 1-4-0 oc.
  - 5) Recommend 2x6 strongbacks, on edge, spaced at 10-0-0 oc and fastened to each truss with 3-10d (0.131" X 3") nails. Strongbacks to be attached to walls at their outer ends or restrained by other means.



July 26, 2024



|                   |               |                                    |          |          |   |           |
|-------------------|---------------|------------------------------------|----------|----------|---|-----------|
| Job<br>J0524-3232 | Truss<br>FKW4 | Truss Type<br>FLOOR SUPPORTED GABL | Qty<br>1 | Ply<br>1 | 135 Duncans Creek<br>Job Reference (optional) | 167082912 |
|-------------------|---------------|------------------------------------|----------|----------|---|-----------|

Comtech, Inc. Fayetteville, NC - 28314,

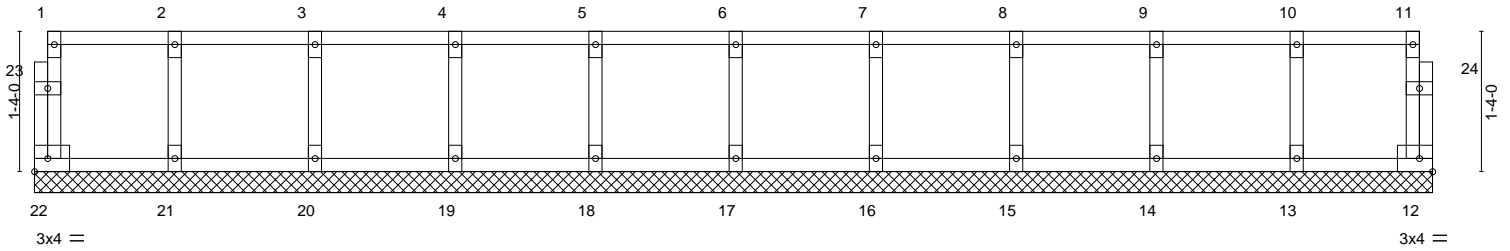
8.630 s Jul 12 2024 MiTek Industries, Inc. Wed Jul 24 11:19:34 2024 Page 1

ID:MRVdg0cxPqsK8U739DzMHizpZII-RfC?PsB70Hq3NSgPqnL8w3uITXbGKWrCDoi7J4zJC?f

0<sub>1</sub>8

0<sub>1</sub>8

Scale = 1:21.9



13-3-8  
13-3-8

| LOADING (psf) | SPACING-             | 2-0-0 | CSI.     | DEFL.    | in (loc) | l/defl | L/d | PLATES | GRIP          |                 |
|---------------|----------------------|-------|----------|----------|----------|--------|-----|--------|---------------|-----------------|
| TCLL 40.0     | Plate Grip DOL       | 1.00  | TC 0.06  | Vert(LL) | n/a      | -      | n/a | 999    | MT20          | 244/190         |
| TCDL 10.0     | Lumber DOL           | 1.00  | BC 0.01  | Vert(CT) | n/a      | -      | n/a | 999    |               |                 |
| BCLL 0.0      | Rep Stress Incr      | YES   | WB 0.03  | Horz(CT) | 0.00     | 12     | n/a | n/a    |               |                 |
| BCDL 5.0      | Code IRC2015/TPI2014 |       | Matrix-R |          |          |        |     |        |               |                 |
|               |                      |       |          |          |          |        |     |        | Weight: 60 lb | FT = 20%F, 11%E |

**LUMBER-**  
TOP CHORD 2x4 SP No.1(flat)  
BOT CHORD 2x4 SP No.1(flat)  
WEBS 2x4 SP No.3(flat)  
OTHERS 2x4 SP No.3(flat)

**BRACING-**  
TOP CHORD Structural wood sheathing directly applied or 6-0-0 oc purlins, except end verticals.  
BOT CHORD Rigid ceiling directly applied or 10-0-0 oc bracing.

**REACTIONS.** All bearings 13-3-8.  
(lb) - Max Grav All reactions 250 lb or less at joint(s) 22, 12, 21, 20, 19, 18, 17, 16, 15, 14, 13

**FORCES.** (lb) - Max. Comp./Max. Ten. - All forces 250 (lb) or less except when shown.

- NOTES-**
- 1) All plates are 1.5x3 MT20 unless otherwise indicated.
  - 2) Plates checked for a plus or minus 1 degree rotation about its center.
  - 3) Gable requires continuous bottom chord bearing.
  - 4) Truss to be fully sheathed from one face or securely braced against lateral movement (i.e. diagonal web).
  - 5) Gable studs spaced at 1-4-0 oc.
  - 6) Recommend 2x6 strongbacks, on edge, spaced at 10-0-0 oc and fastened to each truss with 3-10d (0.131" X 3") nails. Strongbacks to be attached to walls at their outer ends or restrained by other means.



July 26, 2024

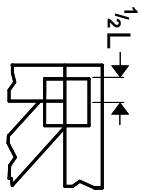
**WARNING - Verify design parameters and READ NOTES ON THIS AND INCLUDED MITEK REFERENCE PAGE MII-7473 rev. 1/2/2023 BEFORE USE.**  
Design valid for use only with MiTek® connectors. This design is based only upon parameters shown, and is for an individual building component, not a truss system. Before use, the building designer must verify the applicability of design parameters and properly incorporate this design into the overall building design. Bracing indicated is to prevent buckling of individual truss web and/or chord members only. Additional temporary and permanent bracing is always required for stability and to prevent collapse with possible personal injury and property damage. For general guidance regarding the fabrication, storage, delivery, erection and bracing of trusses and truss systems, see **ANSI/TP1 Quality Criteria and DSB-22** available from Truss Plate Institute (www.tpinst.org) and **BCSI Building Component Safety Information** available from the Structural Building Component Association (www.sbcacomponents.com)



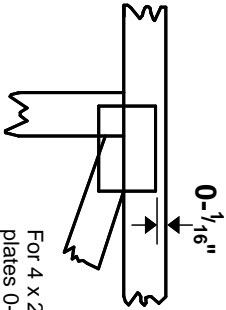
818 Soundside Road  
Edenton, NC 27932

# Symbols

## PLATE LOCATION AND ORIENTATION



Center plate on joint unless x, y offsets are indicated. Dimensions are in ft-in-sixteenths. Apply plates to both sides of truss and fully embed teeth.



For 4 x 2 orientation, locate plates 0- 1/16\"/>



This symbol indicates the required direction of slots in connector plates.

\* Plate location details available in MITek software or upon request.

## PLATE SIZE

4 X 4

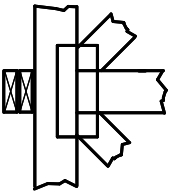
The first dimension is the plate width measured perpendicular to slots. Second dimension is the length parallel to slots.

## LATERAL BRACING LOCATION



Indicated by symbol shown and/or by text in the bracing section of the output. Use T or I bracing if indicated.

## BEARING



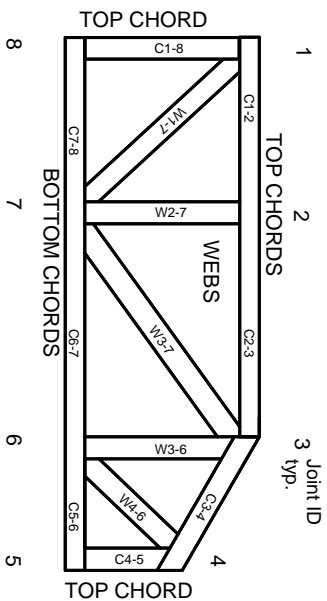
Indicates location where bearings (supports) occur. Icons vary but reaction section indicates joint number/letter where bearings occur. Min size shown is for crushing only.

## Industry Standards:

ANSI/TP1: National Design Specification for Metal Plate Connected Wood Truss Construction.  
DSB-22: Design Standard for Bracing.  
BCSI: Building Component Safety Information, Guide to Good Practice for Handling, Installing, Restraining & Bracing of Metal Plate Connected Wood Trusses.

# Numbering System

6-4-8 dimensions shown in ft-in-sixteenths (Drawings not to scale)



JOINTS ARE GENERALLY NUMBERED/LETTERED CLOCKWISE AROUND THE TRUSS STARTING AT THE JOINT FARTHEST TO THE LEFT.

CHORDS AND WEBS ARE IDENTIFIED BY END JOINT NUMBERS/LETTERS.

# Product Code Approvals

ICC-ES Reports:

ESR-1988, ESR-2362, ESR-2685, ESR-3282  
ESR-4722, ESL-1388

# Design General Notes

Trusses are designed for wind loads in the plane of the truss unless otherwise shown.

Lumber design values are in accordance with ANSI/TP1 section 6.3. These truss designs rely on Lumber values established by others.

© 2023 MITek® All Rights Reserved

**MITek**

ENGINEERING BY  
**TRENGO**  
A MITek Affiliate

MITek Engineering Reference Sheet: MIL-7473 rev. 1/2/2023

# General Safety Notes

## Failure to Follow Could Cause Property Damage or Personal Injury

1. Additional stability/bracing for truss system, e.g. diagonal or X-bracing, is always required. See BCSI.
2. Truss bracing must be designed by an engineer. For wide truss spacing, individual lateral braces themselves may require bracing, or alternative Tor I bracing should be considered.
3. Never exceed the design loading shown and never stack materials on inadequately braced trusses.
4. Provide copies of this truss design to the building designer, erection supervisor, property owner and all other interested parties.
5. Cut members to bear tightly against each other.
6. Place plates on each face of truss at each joint and embed fully. Knots and wane at joint locations are regulated by ANSI/TP1 1.
7. Design assumes trusses will be suitably protected from the environment in accord with ANSI/TP1 1.
8. Unless otherwise noted, moisture content of lumber shall not exceed 19% at time of fabrication.
9. Unless expressly noted, this design is not applicable for use with fire retardant, preservative treated, or green lumber.
10. Camber is a non-structural consideration and is the responsibility of truss fabricator. General practice is to camber for dead load deflection.
11. Plate type, size, orientation and location dimensions indicated are minimum plating requirements.
12. Lumber used shall be of the species and size, and in all respects, equal to or better than that specified.
13. Top chords must be sheathed or purlins provided at spacing indicated on design.
14. Bottom chords require lateral bracing at 10 ft. spacing, or less, if no ceiling is installed, unless otherwise noted.
15. Connections not shown are the responsibility of others.
16. Do not cut or alter truss member or plate without prior approval of an engineer.
17. Install and load vertically unless indicated otherwise.
18. Use of green or treated lumber may pose unacceptable environmental, health or performance risks. Consult with project engineer before use.
19. Review all portions of this design (front, back, words and pictures) before use. Reviewing pictures alone is not sufficient.
20. Design assumes manufacture in accordance with ANSI/TP1 1 Quality Criteria.
21. The design does not take into account any dynamic or other loads other than those expressly stated.