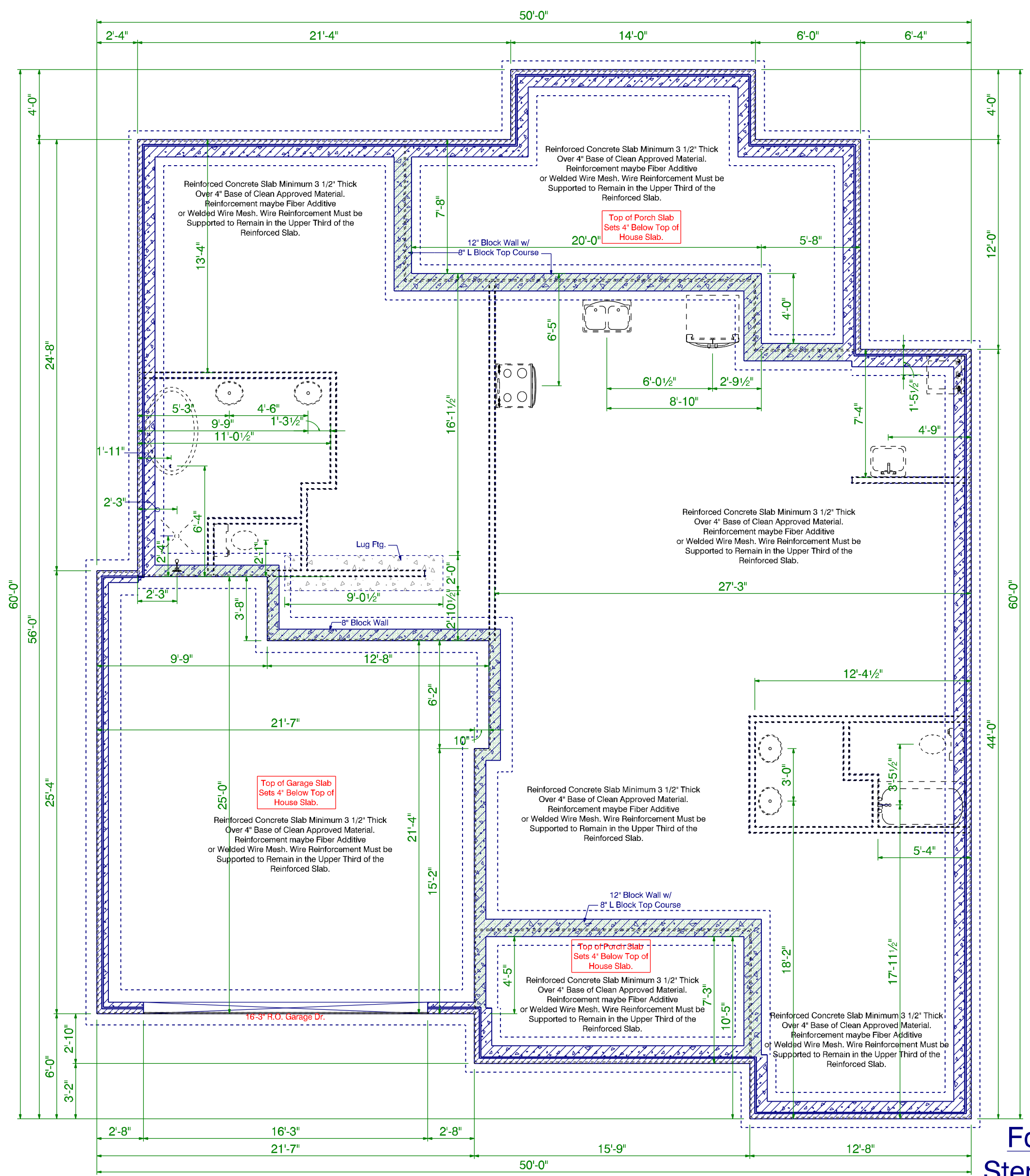
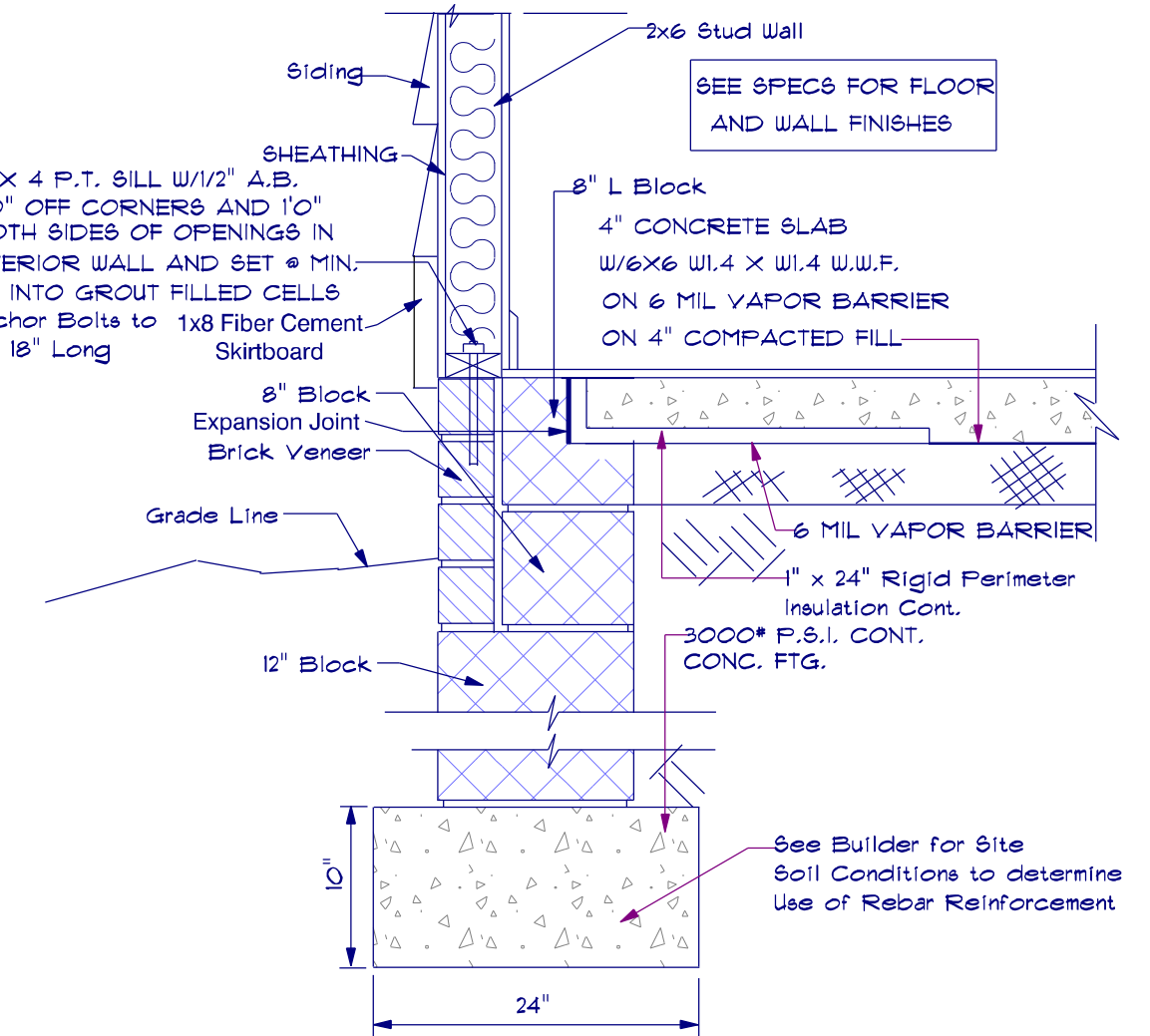


The information in these Construction Documents is for the Exclusive Use of the Client in Construction of the Building Described in the Documents. The Designer has no liability for the building based upon the Client's interpretation of the Documents. The Client shall be responsible for obtaining all necessary permits and for compliance with the applicable laws, regulations, codes, and standards of the local building codes. If the Client uses any product or material not specified in the Documents, the Client shall be responsible for obtaining all necessary permits and for compliance with the applicable laws, regulations, codes, and standards of the local building codes. The Client shall be responsible for the safety of the building and for the safety of the building's occupants. The Client shall be responsible for the safety of the building and for the safety of the building's occupants.

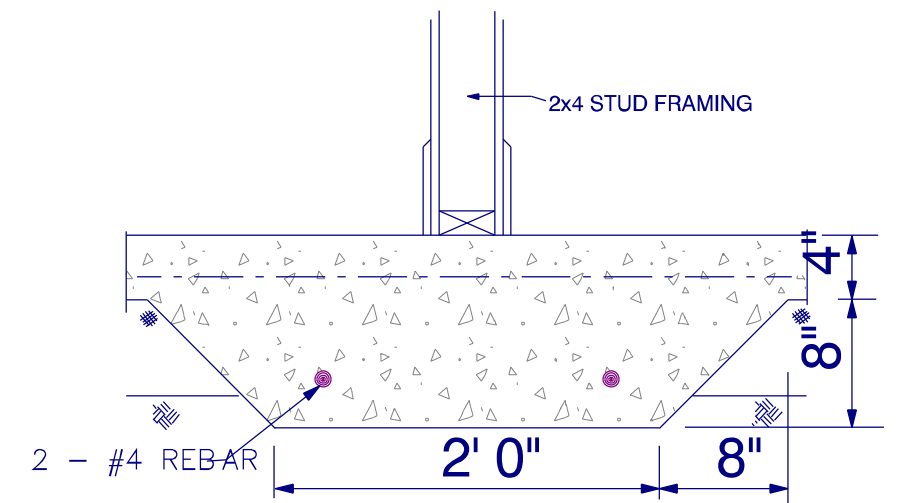


**Foundation Stem Wall Slab**  
Scale: 1/4" = 1'0"

4" CONCRETE SLAB 3000 P.S.I. - CONCRETE COMPRESSION, TENSILE, AND FLEXURAL STRENGTH ARE INCREASED W/THE ADDITION OF 1.5 LBS. PER CU. YD. OF FIBER MESH. REFERENCE F.E.D. REPORT #1




**Raised Slab Detail W/Brick**



**TYP. LUG FOOTING**  
SCALE: 1" = 1'0"

Reinforced Concrete Slab Minimum 3 1/2" Thick Over 4" Base of Clean Approved Material. Reinforcement may be Fiber Additive or Welded Wire Mesh. Wire Reinforcement Must be Supported to Remain in the Upper Third of the Reinforced Slab.

"I DO HEREBY CERTIFY THAT THIS DRAWING OR PLAN AND RELATED SPECIFICATIONS MEET ALL LOCAL REQUIREMENTS AND ARE IN SUBSTANTIAL CONFORMITY WITH BOTH SAH AND VA MINIMUM PROPERTY REQUIREMENTS INCLUDING THE INTERNATIONAL BUILDING CODE COUNCIL (2018 NC BUILDING CODE) ENERGY CONSERVATION STANDARDS OF THE 2018 COUNCIL OF AMERICAN BUILDING OFFICIALS, MODEL ENERGY CODE AND THE REQUIREMENT FOR LEAD-FREE PIPING.

APPROVED BY	DATE
 <b>FRAZIER DESIGNS</b> MEMBER <b>AIBD</b> AMERICAN INSTITUTE OF BUILDING DESIGN <b>Frazier Designs</b> A Residential Design Company (910) 818-2413 www.frazierplans.com	
Project: Fillion Stem Wall Slab	MODEL: Fillion
	BUILDER:
DATE PRINTED: Sept. 2024	
DRAWN BY: ATF	
Foundation Stem Wall Slab <b>SHEET</b>	