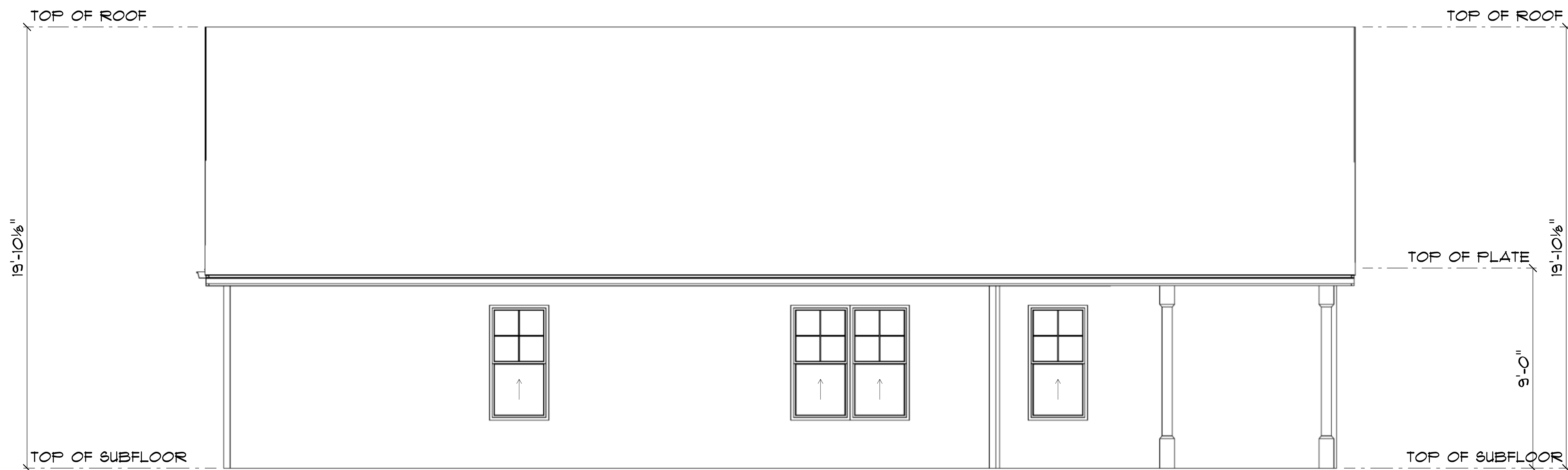
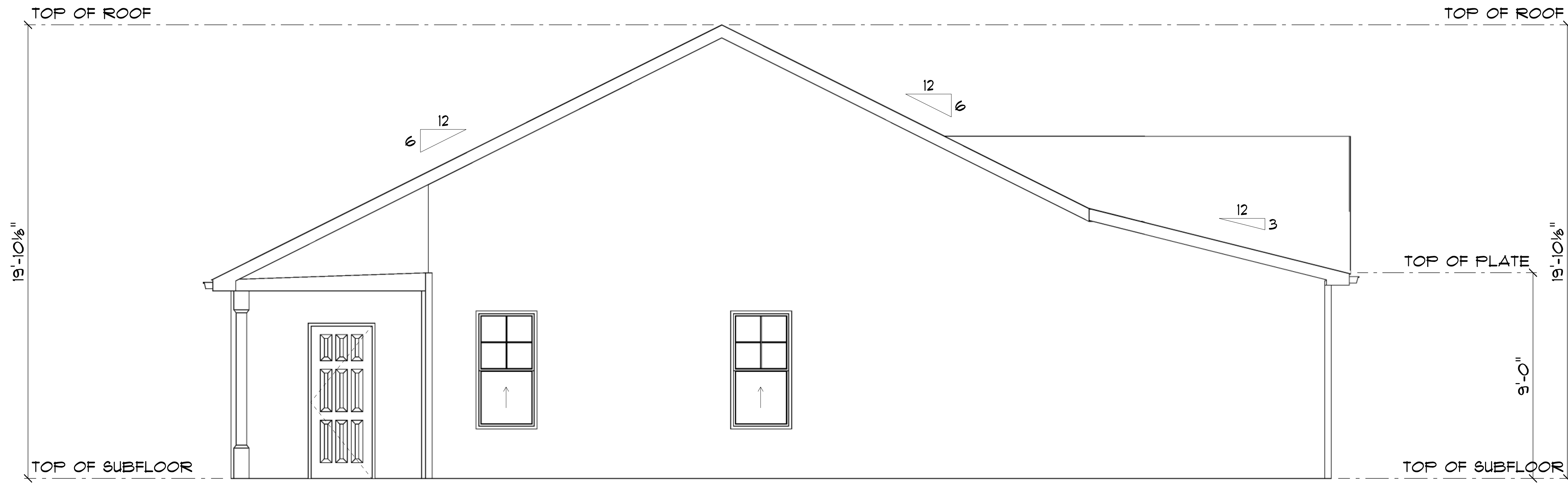


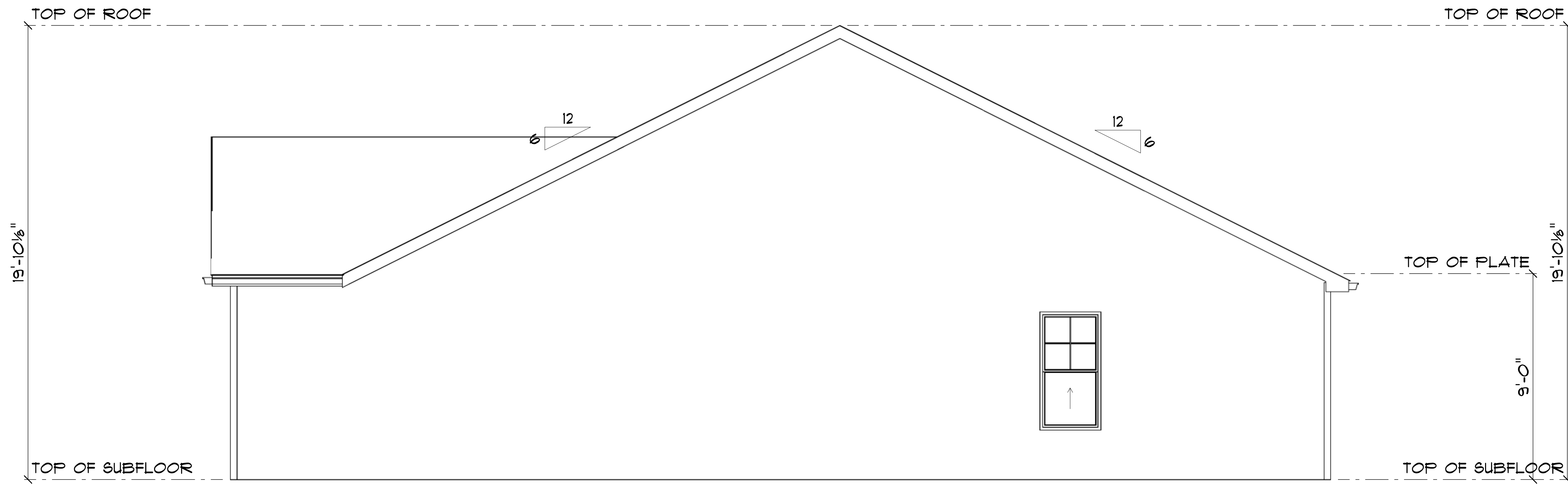
**FRONT ELEVATION**  
SCALE: 3/8" = 1'-0"



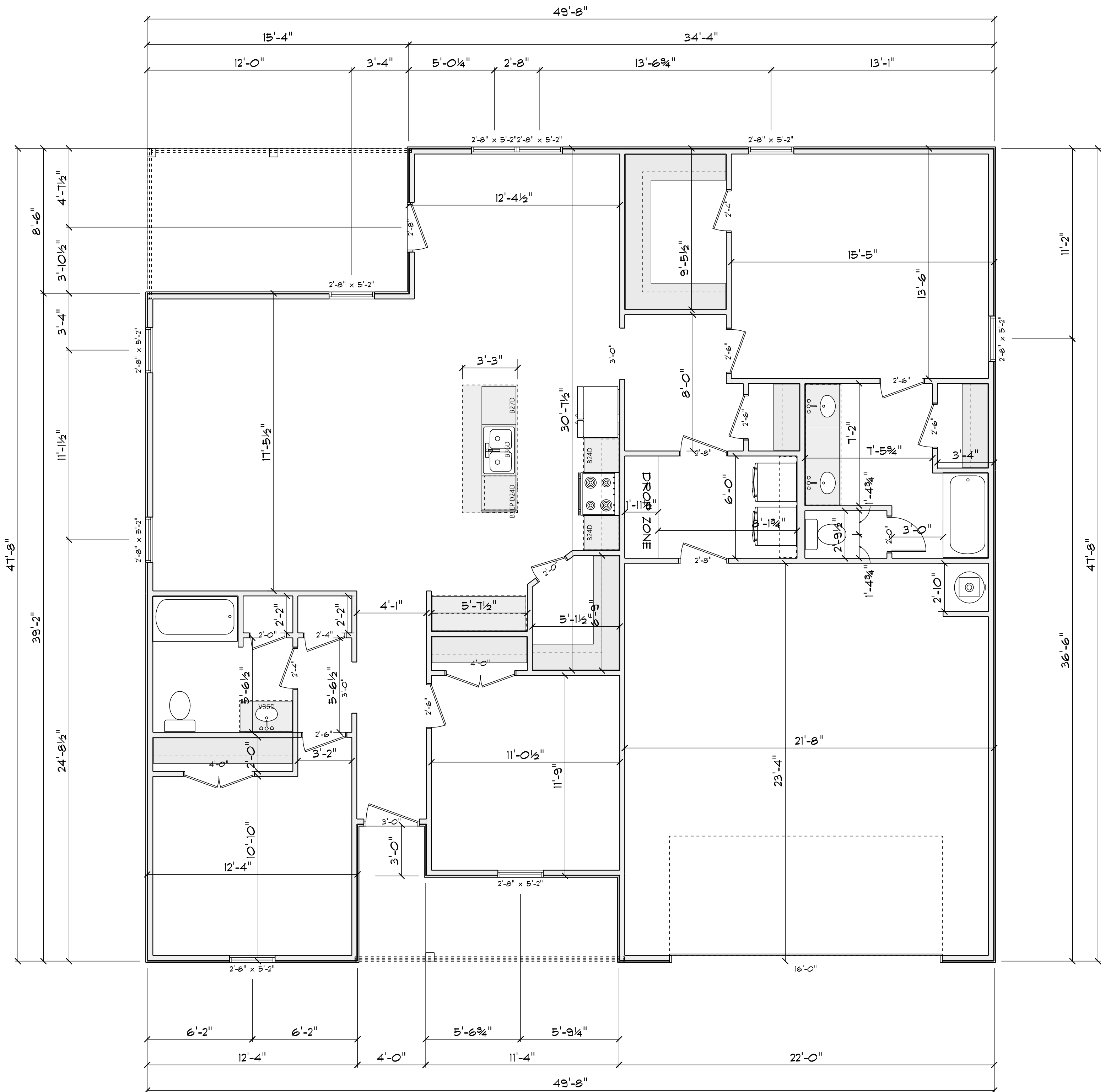
**REAR ELEVATION**  
SCALE: 3/8" = 1'-0"



**LEFT ELEVATION**  
SCALE: 3/8" = 1'-0"

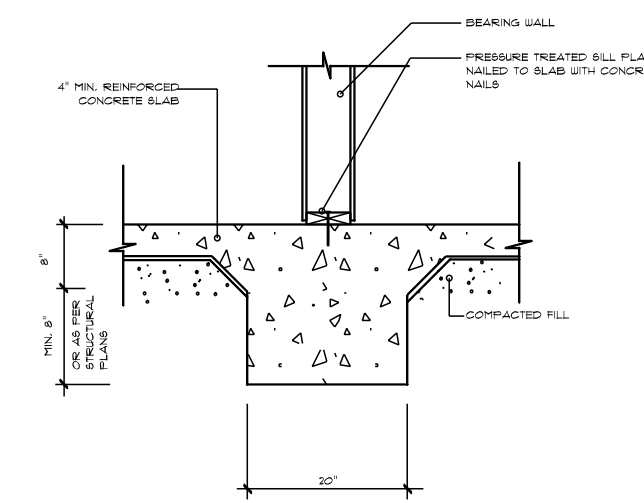
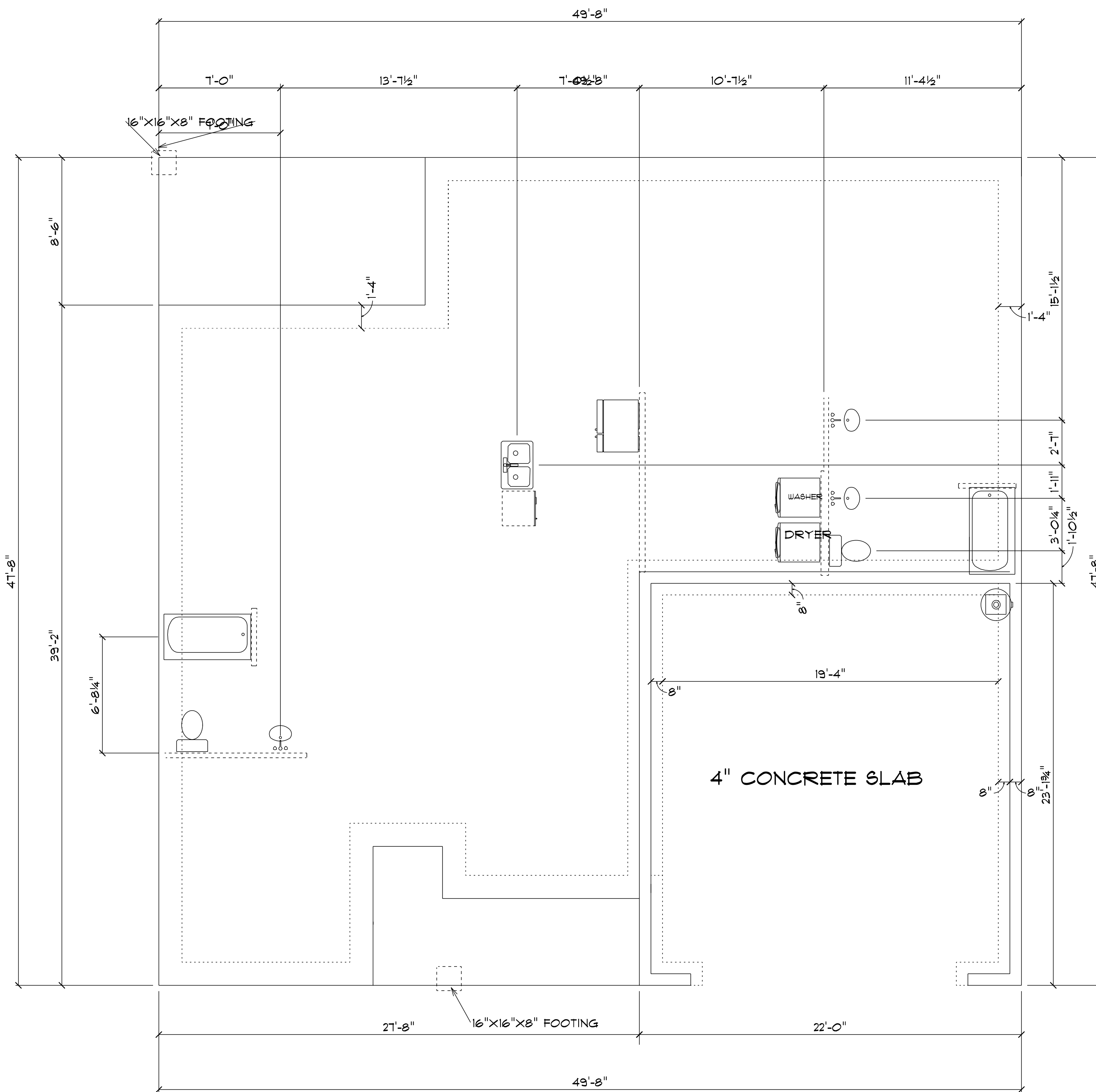


**RIGHT ELEVATION**  
SCALE: 3/8" = 1'-0"

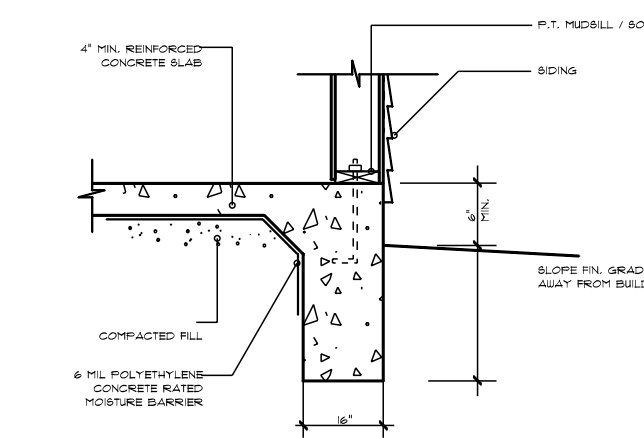


HEATED	1656
GARAGE	525
FRONT PORCH	101
REAR PORCH	139

**MAIN FLOOR**  
 SCALE: 1/4" = 1'-0"



INTEGRAL SLAB FOOTING  
DETAIL AT BEARING WALL



TURN-DOWN  
FOOTING DETAIL

# MONOLITHIC SLAB

**BASEMENT**  
SCALE: 1/4" = 1'-0"