

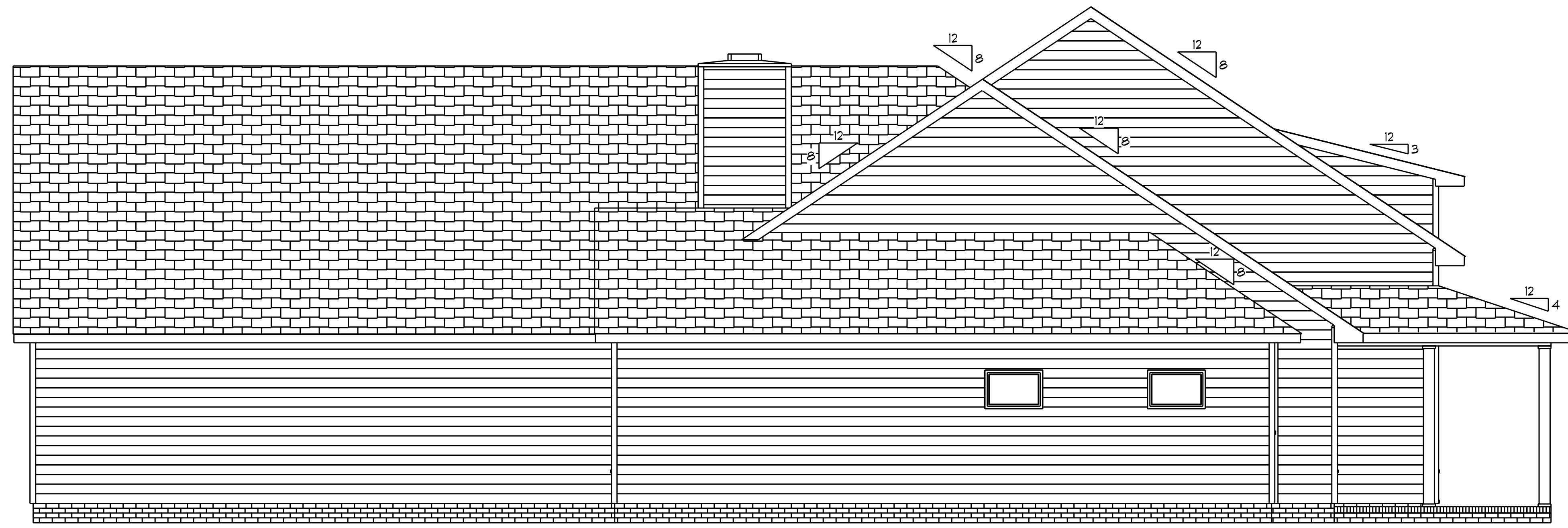
Front Elevation

Scale: 1/4" = 1'0"



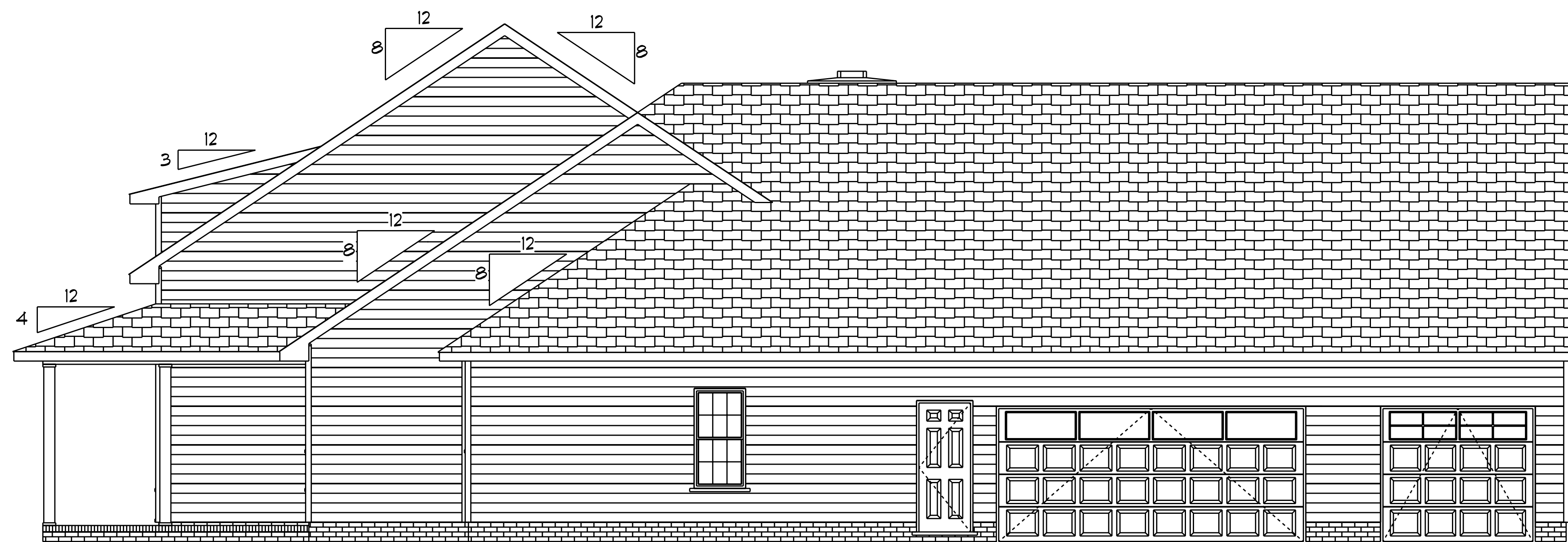
Rear Elevation

Scale: 1/4" = 1'0"



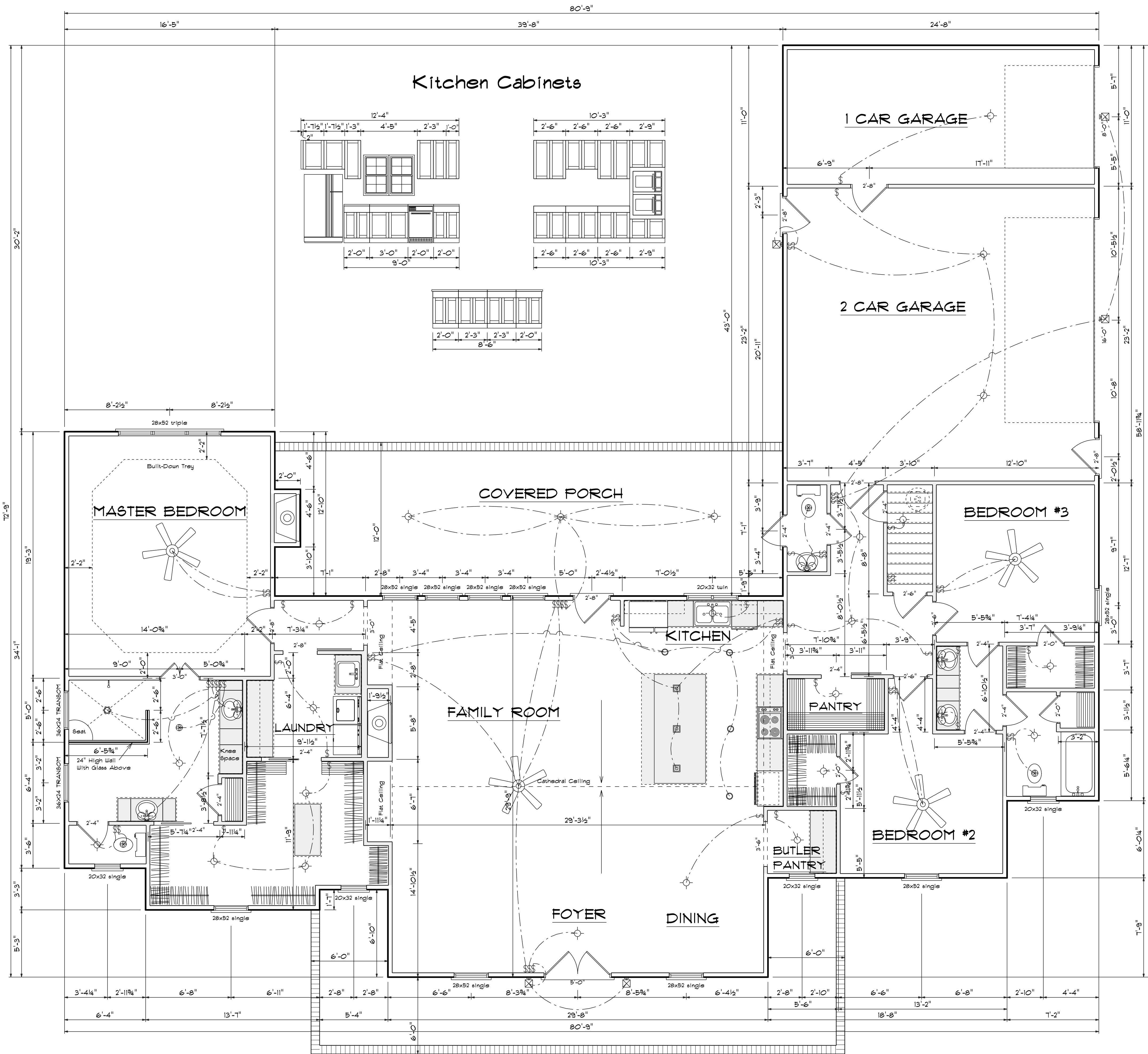
Left Elevation

Scale: 1/4" = 1'0"

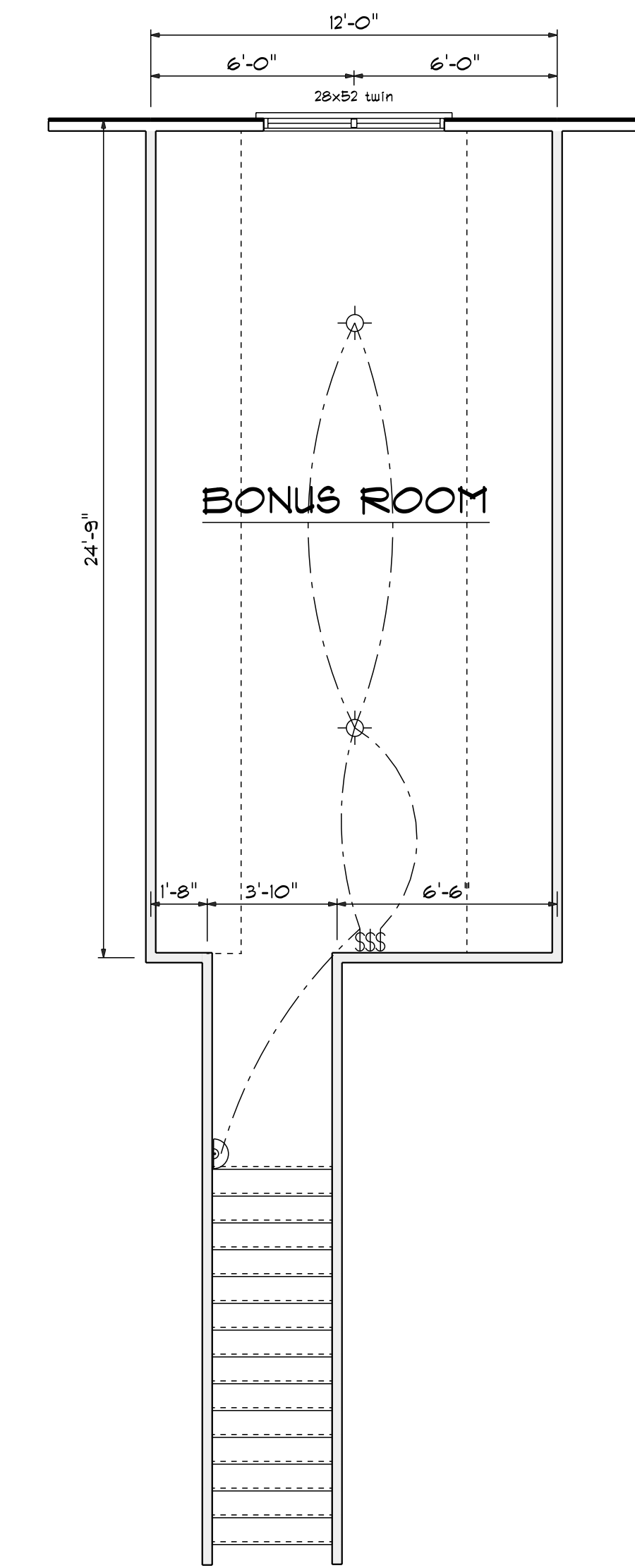


Right Elevation

Scale: 1/4" = 1'0"



First Floor Plan
Scale: 1/4" = 1'-0"

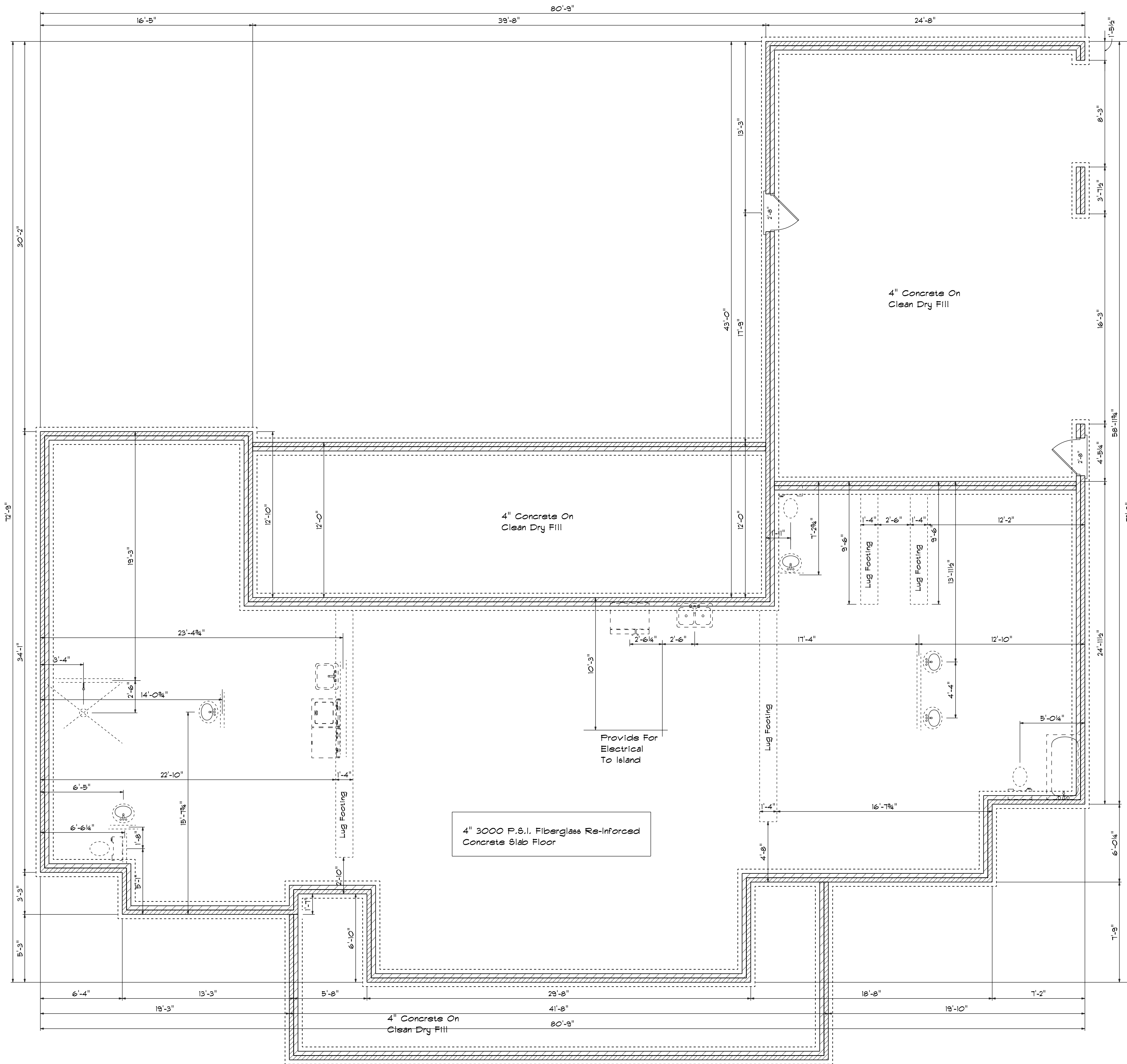


Bonus Room Plan
Scale: 1/4" = 1'-0"

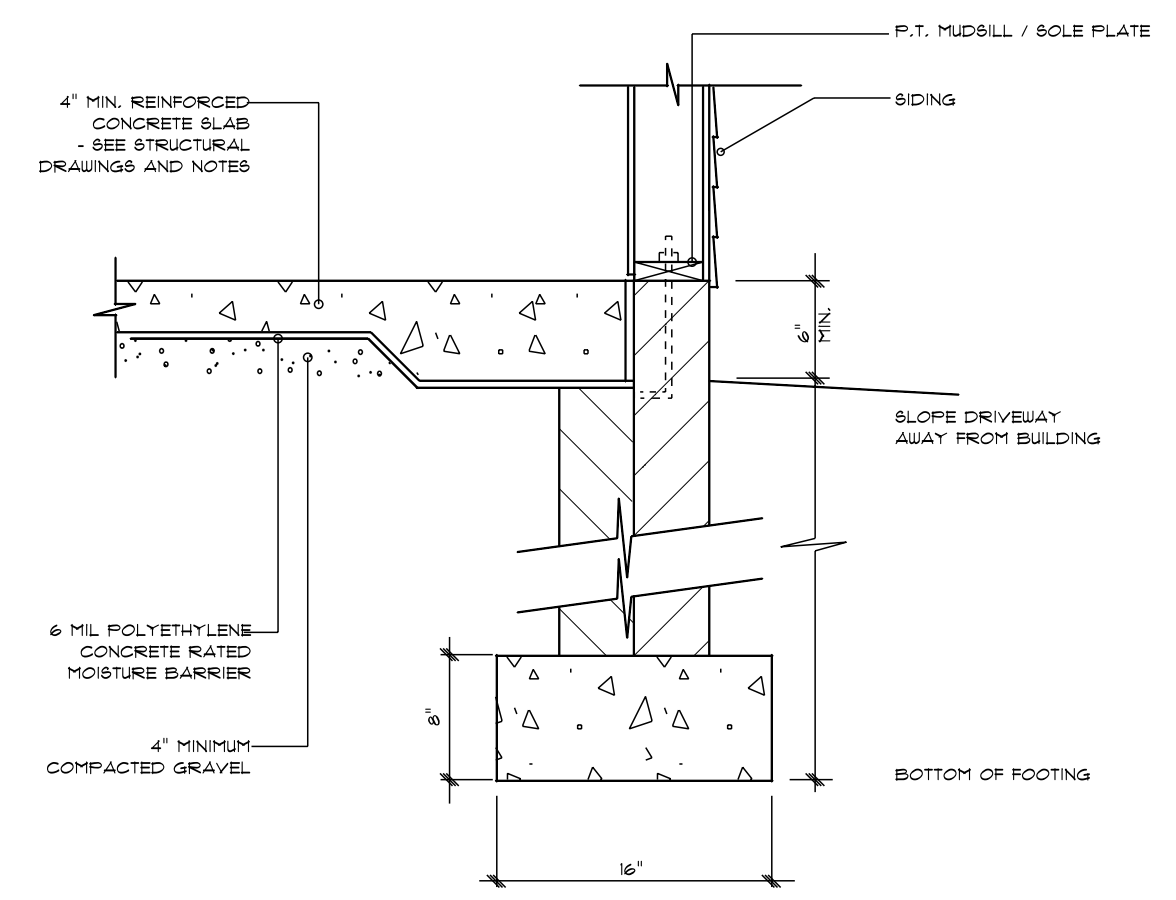
Areas

Main Floor	2440
Bonus Room	304
=====	
Total Heated	2744
Garages	843
Front Ploch	334
Rear Porch	475

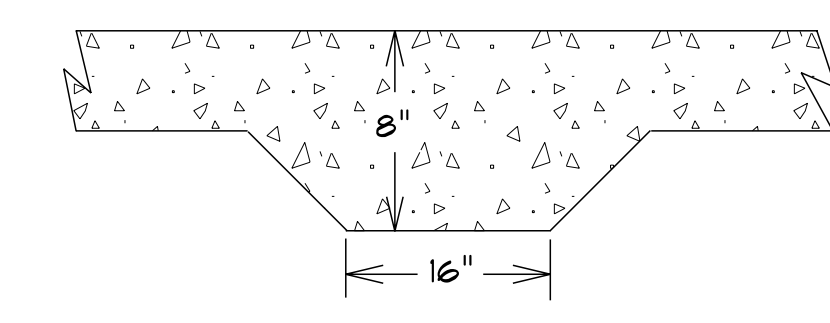
OPENING SCHEDULE				
PRODUCT CODE	SIZE	HINGE	REVERSED	COUNT
2-0 Door Unit	2'-0"	L	NO	1
2-0 Door Unit-MODIFIED	2'-0"	R	NO	2
2-4 Door Unit	2'-4"	L	NO	4
2-4 Door Unit	2'-4"	R	NO	1
2-4 Door Unit-MODIFIED	2'-4"	L	YES	1
2-4 Door Unit-MODIFIED	2'-4"	R	NO	2
2-6 Door Unit	2'-6"	L	NO	2
2-6 Door Unit-MODIFIED	2'-6"	R	NO	1
2-8 Door Unit	2'-8"	L	NO	2
3-0 Doublehung Door Unit	3'-0"	LR	NO	1
20x32 single	2'-0" x 3'-2"	N	NA	4
20x32 twin	4'-0" x 3'-2"	NN	NA	1
24 pocket	2'-4"	N	NO	2
28x52 single	2'-8" x 5'-2"	N	NA	9
28x52 triple	8'-0" x 5'-2"	NNN	NA	1
28x52 twin	5'-4" x 5'-2"	NN	NA	1
18x32 triple	5'-0" x 3'-2"	NN	NA	1
32X80 COLONIAL A 1	2'-8"	L	NO	3
32X80 FRENCH A 1	2'-8"	L	NO	1
36X24 TRANSOM	3'-0" x 2'-0"	N	NA	2
36x80 CHALKBOARD WOOD DOOR-MODIFIED	2'-4"	R	YES	1
36x80 CHALKBOARD WOOD DOOR-MODIFIED	2'-8"	R	YES	1
60X80 COLONIAL A 2	5'-0"	LR	NO	1
96X84 - 4 PANEL - 2 GRILLED WINDOW	8'-0"	U	NO	1
192X84 - 8 PANEL - 4 WINDOW	16'-0"	U	NO	1



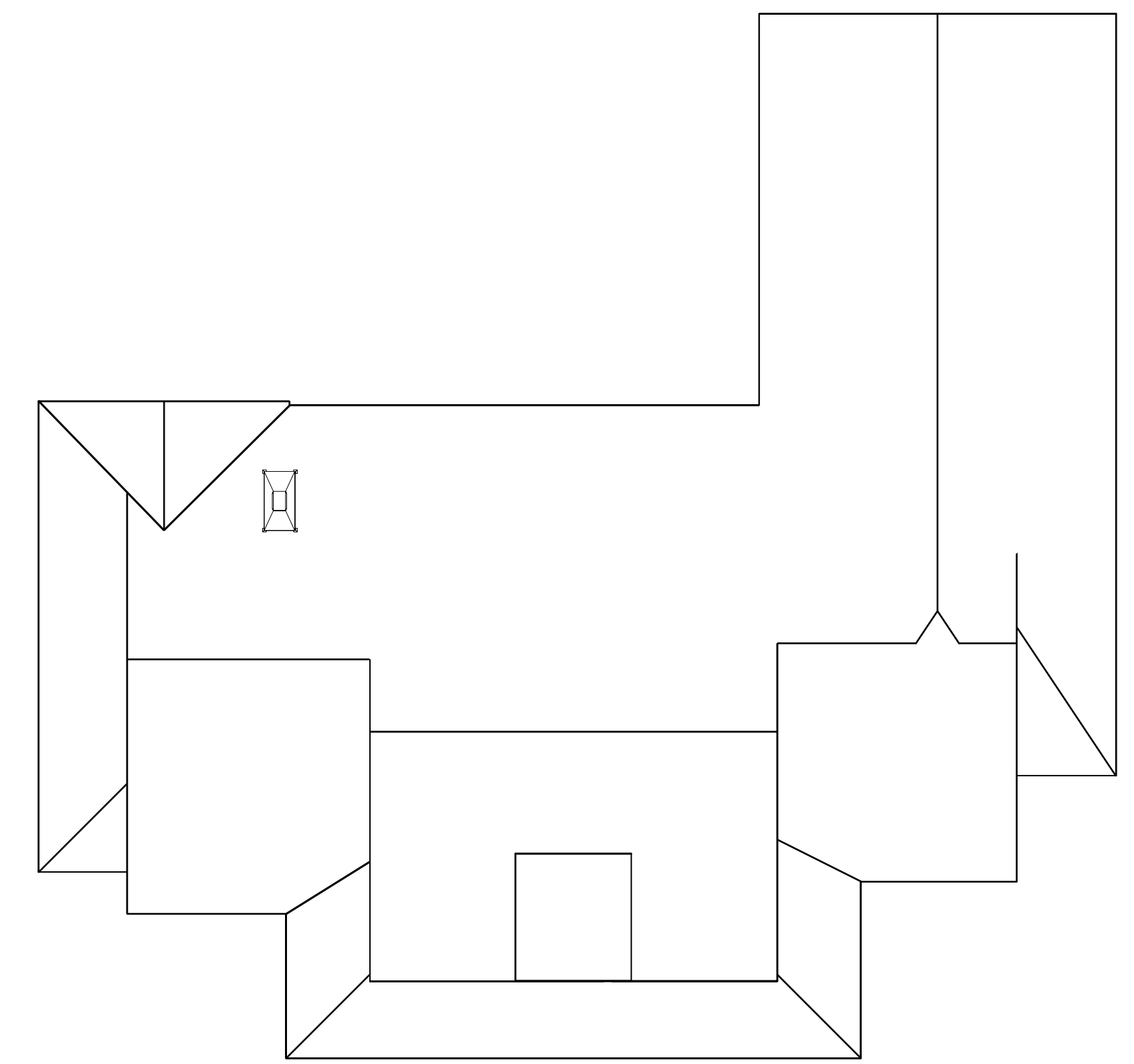
Foundation Plan
Scale: 1/4" = 1'-0"



STEM WALL FOOTING DETAIL



LUG FOOTING DETAIL



Roof Plan

DATE: 4/5/2024	SCALE: 1/4"
REVISED	DRAWN BY
DRAWING*	APPROVED

Bass Designs
 2121 Chimney Pt.
 Linden, N.C. 28356
 910-263-0403

 The Julia II