

Trenco
818 Soundside Rd
Edenton, NC 27932

Re: 24-2994-A
RVF-LOT #15 ROOF

The truss drawing(s) referenced below have been prepared by Truss Engineering Co. under my direct supervision based on the parameters provided by Riverside Roof Truss.

Pages or sheets covered by this seal: I65708172 thru I65708194

My license renewal date for the state of North Carolina is December 31, 2024.

North Carolina COA: C-0844



May 22, 2024

Gilbert, Eric

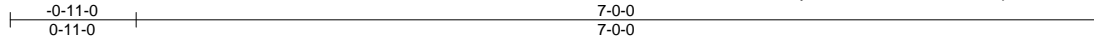
IMPORTANT NOTE: The seal on these truss component designs is a certification that the engineer named is licensed in the jurisdiction(s) identified and that the designs comply with ANSI/TPI 1. These designs are based upon parameters shown (e.g., loads, supports, dimensions, shapes and design codes), which were given to MiTek or TRENCO. Any project specific information included is for MiTek's or TRENCO's customers file reference purpose only, and was not taken into account in the preparation of these designs. MiTek or TRENCO has not independently verified the applicability of the design parameters or the designs for any particular building. Before use, the building designer should verify applicability of design parameters and properly incorporate these designs into the overall building design per ANSI/TPI 1, Chapter 2.

Job 24-2994-A	Truss M01	Truss Type MONOPITCH	Qty 8	Ply 1	RVF-LOT #15 ROOF 165708172
------------------	--------------	-------------------------	----------	----------	-------------------------------

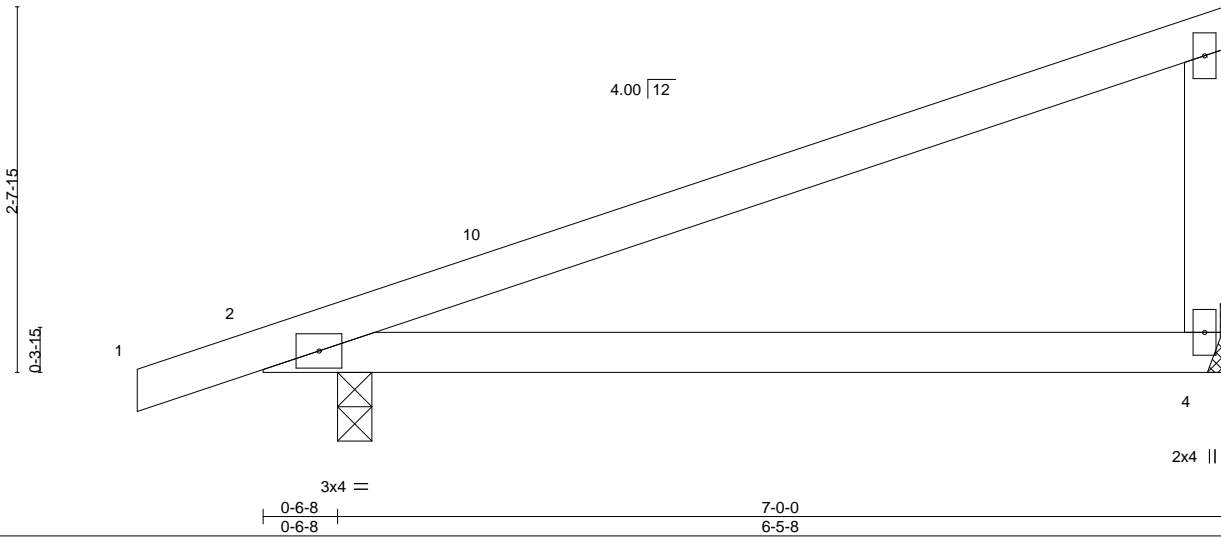
Riverside Roof Truss, LLC, Danville, Va - 24541,

8.730 s Apr 25 2024 MiTek Industries, Inc. Mon May 20 16:21:13 2024 Page 1

ID:Bxl2MwYau_NHkbraGcmHloyOvst-drBBwDYExLtmTnf3pRx5xEezFskr1Uo_VocCA7zEYoq



Scale = 1:16.8



LOADING (psf)	SPACING-	CSI.	DEFL.	PLATES	GRIP
TCLL (roof) 20.0	2-0-0	TC 0.65	in (loc) l/defl L/d	MT20	244/190
Snow (Pf/Pg) 11.6/15.0	Plate Grip DOL 1.15	BC 0.43	Vert(LL) 0.08 4-9 >999 240		
TCDL 10.0	Lumber DOL 1.15	WB 0.00	Vert(CT) -0.15 4-9 >535 180		
BCLL 0.0 *	Rep Stress Incr YES	Matrix-MP	Horz(CT) 0.00 2 n/a n/a		
BCDL 10.0	Code IRC2018/TPI2014			Weight: 26 lb	FT = 20%

LUMBER-	BRACING-
TOP CHORD 2x4 SP No.2	TOP CHORD Structural wood sheathing directly applied or 6-0-0 oc purlins, except end verticals.
BOT CHORD 2x4 SP No.2	BOT CHORD Rigid ceiling directly applied or 10-0-0 oc bracing.
WEBS 2x4 SP No.3	

REACTIONS. (size) 4=Mechanical, 2=0-3-0
 Max Horz 2=85(LC 15)
 Max Uplift 4=-13(LC 16), 2=-49(LC 16)
 Max Grav 4=254(LC 21), 2=361(LC 2)


FORCES. (lb) - Max. Comp./Max. Ten. - All forces 250 (lb) or less except when shown.

NOTES-

- 1) Wind: ASCE 7-16; Vult=130mph (3-second gust) Vasd=103mph; TCDL=6.0psf; BCDL=6.0psf; h=25ft; B=45ft; L=24ft; eave=4ft; Cat. II; Exp B; Enclosed; MWFRS (directional) and C-C Exterior(2E) -0-11-0 to 2-1-0, Interior(1) 2-1-0 to 6-10-4 zone; cantilever left and right exposed ; end vertical left and right exposed;C-C for members and forces & MWFRS for reactions shown; Lumber DOL=1.60 plate grip DOL=1.60
- 2) TCLL: ASCE 7-16; Pr=20.0 psf (roof LL: Lum DOL=1.15 Plate DOL=1.15); Pg=15.0 psf; Pf=11.6 psf (Lum DOL=1.15 Plate DOL=1.15); Is=1.0; Rough Cat B; Partially Exp.; Ce=1.0; Cs=1.00; Ct=1.10
- 3) Unbalanced snow loads have been considered for this design.
- 4) This truss has been designed for greater of min roof live load of 12.0 psf or 1.00 times flat roof load of 11.6 psf on overhangs non-concurrent with other live loads.
- 5) This truss has been designed for a 10.0 psf bottom chord live load nonconcurrent with any other live loads.
- 6) * This truss has been designed for a live load of 20.0psf on the bottom chord in all areas where a rectangle 3-6-0 tall by 2-0-0 wide will fit between the bottom chord and any other members.
- 7) Refer to girder(s) for truss to truss connections.
- 8) Provide mechanical connection (by others) of truss to bearing plate capable of withstanding 100 lb uplift at joint(s) 4, 2.
- 9) This truss is designed in accordance with the 2018 International Residential Code sections R502.11.1 and R802.10.2 and referenced standard ANSI/TPI 1.



May 22, 2024

<p>WARNING - Verify design parameters and READ NOTES ON THIS AND INCLUDED MITEK REFERENCE PAGE MII-7473 rev. 1/2/2023 BEFORE USE.</p> <p>Design valid for use only with MiTek® connectors. This design is based only upon parameters shown, and is for an individual building component, not a truss system. Before use, the building designer must verify the applicability of design parameters and properly incorporate this design into the overall building design. Bracing indicated is to prevent buckling of individual truss web and/or chord members only. Additional temporary and permanent bracing is always required for stability and to prevent collapse with possible personal injury and property damage. For general guidance regarding the fabrication, storage, delivery, erection and bracing of trusses and truss systems, see ANSI/TPH Quality Criteria and DSB-22 available from Truss Plate Institute (www.tpinst.org) and BCSI Building Component Safety Information available from the Structural Building Component Association (www.sbcacomponents.com)</p>	<p>ENGINEERING BY</p>  <p>A MiTek Affiliate</p> <p>818 Soundside Road Edenton, NC 27932</p>
--	--

Job 24-2994-A	Truss M01GE	Truss Type MONOPITCH STRUCTURAL	Qty 1	Ply 1	RVF-LOT #15 ROOF Job Reference (optional)	165708173
------------------	----------------	------------------------------------	----------	----------	--	-----------

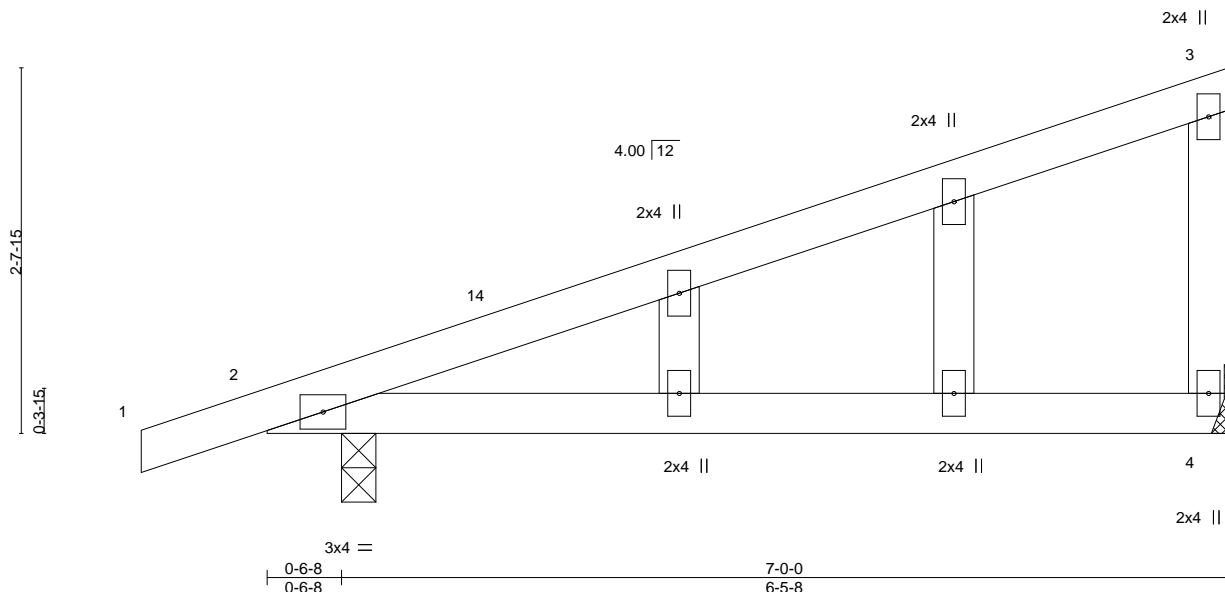
Riverside Roof Truss, LLC, Danville, Va - 24541,

8.730 s Apr 25 2024 MiTek Industries, Inc. Mon May 20 16:21:13 2024 Page 1

ID:Bxl2MwYau_NHkbraGCmHloyOvst-drBBwDYExLtmTnf3pRx5xEezFskr1Uo_VocCA7zEYoq



Scale = 1:16.8



LOADING (psf)	SPACING-	CSI.	DEFL.	PLATES	GRIP
TCLL (roof) 20.0	2-0-0	TC 0.65	in (loc) l/defl L/d	MT20	244/190
Snow (Pf/Pg) 11.6/15.0	Plate Grip DOL 1.15	BC 0.43	Vert(LL) 0.08 4-13 >999 240		
TCDL 10.0	Lumber DOL 1.15	WB 0.00	Vert(CT) -0.15 4-13 >535 180		
BCLL 0.0 *	Rep Stress Incr YES	Matrix-MP	Horz(CT) 0.00 2 n/a n/a		
BCDL 10.0	Code IRC2018/TPI2014			Weight: 29 lb	FT = 20%

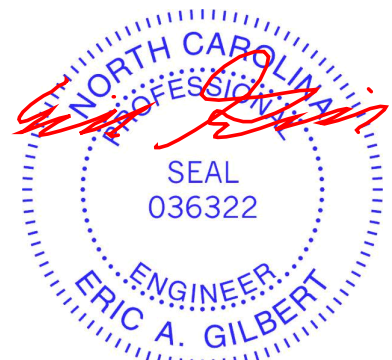
LUMBER-	BRACING-
TOP CHORD 2x4 SP No.2	TOP CHORD Structural wood sheathing directly applied or 6-0-0 oc purlins, except end verticals.
BOT CHORD 2x4 SP No.2	BOT CHORD Rigid ceiling directly applied or 10-0-0 oc bracing.
WEBS 2x4 SP No.3	
OTHERS 2x4 SP No.3	

REACTIONS. (size) 4=Mechanical, 2=0-3-0
 Max Horz 2=85(LC 15)
 Max Uplift 4=-13(LC 16), 2=-49(LC 16)
 Max Grav 4=254(LC 21), 2=361(LC 2)

FORCES. (lb) - Max. Comp./Max. Ten. - All forces 250 (lb) or less except when shown.

NOTES-

- 1) Wind: ASCE 7-16; Vult=130mph (3-second gust) Vasd=103mph; TCDL=6.0psf; BCDL=6.0psf; h=25ft; B=45ft; L=24ft; eave=4ft; Cat. II; Exp B; Enclosed; MWFRS (directional) and C-C Exterior(2E) -0-11-0 to 2-1-0, Interior(1) 2-1-0 to 6-10-4 zone; cantilever left and right exposed; end vertical left and right exposed; C-C for members and forces & MWFRS for reactions shown; Lumber DOL=1.60 plate grip DOL=1.60
- 2) Truss designed for wind loads in the plane of the truss only. For studs exposed to wind (normal to the face), see Standard Industry Gable End Details as applicable, or consult qualified building designer as per ANSI/TPI 1.
- 3) TCLL: ASCE 7-16; Pr=20.0 psf (roof LL: Lum DOL=1.15 Plate DOL=1.15); Pg=15.0 psf; Pf=11.6 psf (Lum DOL=1.15 Plate DOL=1.15); Is=1.0; Rough Cat B; Partially Exp.; Ce=1.0; Cs=1.00; Ct=1.10
- 4) Unbalanced snow loads have been considered for this design.
- 5) This truss has been designed for greater of min roof live load of 12.0 psf or 1.00 times flat roof load of 11.6 psf on overhangs non-concurrent with other live loads.
- 6) Gable studs spaced at 2-0-0 oc.
- 7) This truss has been designed for a 10.0 psf bottom chord live load nonconcurrent with any other live loads.
- 8) * This truss has been designed for a live load of 20.0psf on the bottom chord in all areas where a rectangle 3-6-0 tall by 2-0-0 wide will fit between the bottom chord and any other members.
- 9) Refer to girder(s) for truss to truss connections.
- 10) Provide mechanical connection (by others) of truss to bearing plate capable of withstanding 100 lb uplift at joint(s) 4, 2.
- 11) This truss is designed in accordance with the 2018 International Residential Code sections R502.11.1 and R802.10.2 and referenced standard ANSI/TPI 1.



May 22, 2024

Job 24-2994-A	Truss M02	Truss Type MONOPITCH STRUCTURAL	Qty 1	Ply 1	RVF-LOT #15 ROOF Job Reference (optional)	165708174
------------------	--------------	------------------------------------	----------	----------	--	-----------

Riverside Roof Truss, LLC,

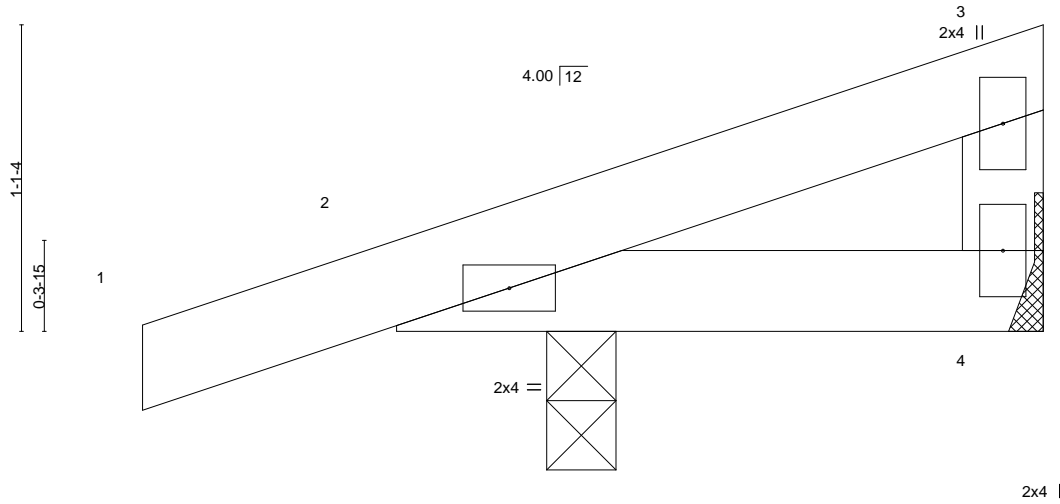
Danville, Va - 24541,

8.730 s Apr 25 2024 MiTek Industries, Inc. Mon May 20 16:21:14 2024 Page 1

ID:Bxl2MwYau_NhkbraGcmHloyOvst-51IZ8ZYthf?d4xEFN9SKTRBH4Fmsmx17jSMljazEYop



Scale = 1:8.3



LOADING (psf)	SPACING-	CSI.	DEFL.	PLATES	GRIP
TCLL (roof) 20.0	2-0-0	TC 0.07	in (loc) l/defl L/d	MT20	244/190
Snow (Pf/Pg) 11.6/15.0	Plate Grip DOL 1.15	BC 0.06	Vert(LL) -0.00 5 >999 240		
TCDL 10.0	Lumber DOL 1.15	WB 0.00	Vert(CT) -0.00 5 >999 180		
BCLL 0.0 *	Rep Stress Incr YES	Matrix-MP	Horz(CT) 0.00 4 n/a n/a		
BCDL 10.0	Code IRC2018/TPI2014			Weight: 9 lb	FT = 20%

LUMBER-
 TOP CHORD 2x4 SP No.2
 BOT CHORD 2x4 SP No.2
 WEBS 2x4 SP No.3

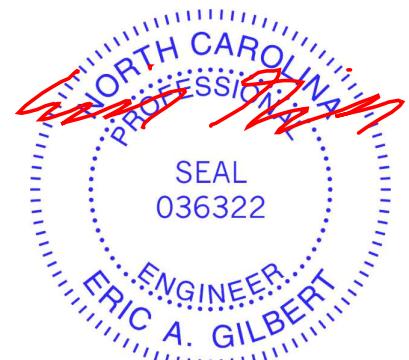
BRACING-
 TOP CHORD Structural wood sheathing directly applied or 2-4-0 oc purlins, except end verticals.
 BOT CHORD Rigid ceiling directly applied or 10-0-0 oc bracing.

REACTIONS. (size) 4=Mechanical, 2=0-3-0
 Max Horz 2=31(LC 15)
 Max Uplift 4=-1(LC 13), 2=-53(LC 16)
 Max Grav 4=33(LC 7), 2=205(LC 2)

FORCES. (lb) - Max. Comp./Max. Ten. - All forces 250 (lb) or less except when shown.

NOTES-

- 1) Wind: ASCE 7-16; Vult=130mph (3-second gust) Vasd=103mph; TCDL=6.0psf; BCDL=6.0psf; h=25ft; B=45ft; L=24ft; eave=4ft; Cat. II; Exp B; Enclosed; MWFRS (directional) and C-C Exterior(2E) zone; cantilever left and right exposed ; end vertical left and right exposed;C-C for members and forces & MWFRS for reactions shown; Lumber DOL=1.60 plate grip DOL=1.60
- 2) Truss designed for wind loads in the plane of the truss only. For studs exposed to wind (normal to the face), see Standard Industry Gable End Details as applicable, or consult qualified building designer as per ANSI/TPI 1.
- 3) TCLL: ASCE 7-16; Pr=20.0 psf (roof LL: Lum DOL=1.15 Plate DOL=1.15); Pg=15.0 psf; Pf=11.6 psf (Lum DOL=1.15 Plate DOL=1.15); Is=1.0; Rough Cat B; Partially Exp.; Ce=1.0; Cs=1.00; Ct=1.10
- 4) Unbalanced snow loads have been considered for this design.
- 5) This truss has been designed for greater of min roof live load of 12.0 psf or 1.00 times flat roof load of 11.6 psf on overhangs non-concurrent with other live loads.
- 6) Gable studs spaced at 2-0-0 oc.
- 7) This truss has been designed for a 10.0 psf bottom chord live load nonconcurrent with any other live loads.
- 8) * This truss has been designed for a live load of 20.0psf on the bottom chord in all areas where a rectangle 3-6-0 tall by 2-0-0 wide will fit between the bottom chord and any other members.
- 9) Refer to girder(s) for truss to truss connections.
- 10) Provide mechanical connection (by others) of truss to bearing plate capable of withstanding 100 lb uplift at joint(s) 4, 2.
- 11) This truss is designed in accordance with the 2018 International Residential Code sections R502.11.1 and R802.10.2 and referenced standard ANSI/TPI 1.



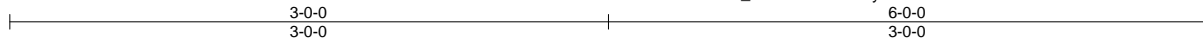
May 22, 2024

Job 24-2994-A	Truss PB01	Truss Type Piggyback	Qty 21	Ply 1	RVF-LOT #15 ROOF 165708175
------------------	---------------	-------------------------	-----------	----------	-------------------------------

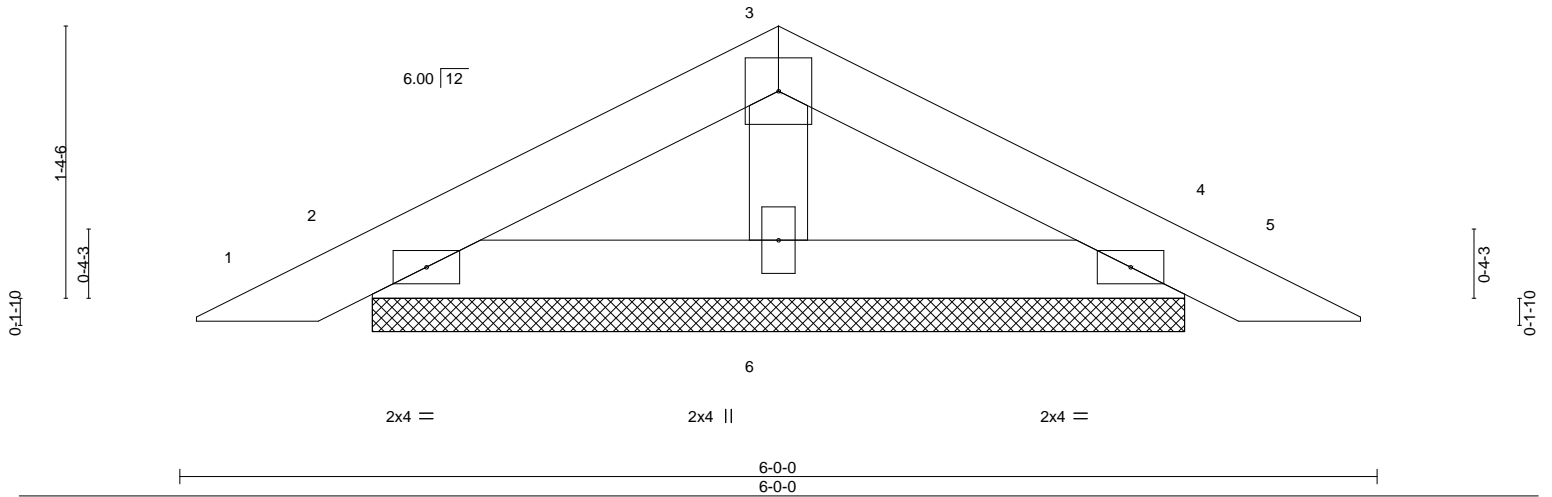
Riverside Roof Truss, LLC, Danville, Va - 24541,

8.730 s Apr 25 2024 MiTek Industries, Inc. Mon May 20 16:21:14 2024 Page 1

ID:Bxl2MwYau_NHkbraGCmHloyOvst-51Iz8ZYthf?d4xEFN9SKTRBH7FmAmxg7jSMIjazEYop



Scale = 1:11.5



LOADING (psf)	SPACING-	CSI.	DEFL.	PLATES	GRIP
TCLL (roof) 20.0	2-0-0	TC 0.07	in (loc) l/defl L/d	MT20	244/190
Snow (Pf/Pg) 11.6/15.0	Plate Grip DOL 1.15	BC 0.04	Vert(LL) 0.00 4 n/r 120		
TCDL 10.0	Lumber DOL 1.15	WB 0.02	Vert(CT) 0.00 5 n/r 120		
BCLL 0.0 *	Rep Stress Incr YES	Matrix-P	Horz(CT) 0.00 4 n/a n/a		
BCDL 10.0	Code IRC2018/TPI2014			Weight: 17 lb	FT = 20%

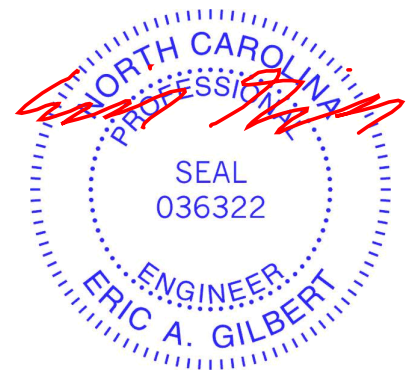
LUMBER-	BRACING-
TOP CHORD 2x4 SP No.2	TOP CHORD Structural wood sheathing directly applied or 6-0-0 oc purlins.
BOT CHORD 2x4 SP No.2	BOT CHORD Rigid ceiling directly applied or 10-0-0 oc bracing.
OTHERS 2x4 SP No.3	

REACTIONS. (size) 2=4-0-14, 4=4-0-14, 6=4-0-14
 Max Horz 2=22(LC 15)
 Max Uplift 2=36(LC 16), 4=36(LC 16)
 Max Grav 2=121(LC 2), 4=121(LC 2), 6=152(LC 2)

FORCES. (lb) - Max. Comp./Max. Ten. - All forces 250 (lb) or less except when shown.

NOTES-

- 1) Unbalanced roof live loads have been considered for this design.
- 2) Wind: ASCE 7-16; Vult=130mph (3-second gust) Vasd=103mph; TCCL=6.0psf; BCDL=6.0psf; h=25ft; B=45ft; L=24ft; eave=4ft; Cat. II; Exp B; Enclosed; MWFRS (directional) and C-C Exterior(2E) zone; cantilever left and right exposed ; end vertical left and right exposed;C-C for members and forces & MWFRS for reactions shown; Lumber DOL=1.60 plate grip DOL=1.60
- 3) TCLL: ASCE 7-16; Pr=20.0 psf (roof LL: Lum DOL=1.15 Plate DOL=1.15); Pg=15.0 psf; Pf=11.6 psf (Lum DOL=1.15 Plate DOL=1.15); Is=1.0; Rough Cat B; Partially Exp.; Ce=1.0; Cs=1.00; Ct=1.10
- 4) Unbalanced snow loads have been considered for this design.
- 5) This truss has been designed for greater of min roof live load of 12.0 psf or 1.00 times flat roof load of 11.6 psf on overhangs non-concurrent with other live loads.
- 6) Gable requires continuous bottom chord bearing.
- 7) This truss has been designed for a 10.0 psf bottom chord live load nonconcurrent with any other live loads.
- 8) * This truss has been designed for a live load of 20.0psf on the bottom chord in all areas where a rectangle 3-6-0 tall by 2-0-0 wide will fit between the bottom chord and any other members.
- 9) Provide mechanical connection (by others) of truss to bearing plate capable of withstanding 100 lb uplift at joint(s) 2, 4.
- 10) This truss is designed in accordance with the 2018 International Residential Code sections R502.11.1 and R802.10.2 and referenced standard ANSI/TPI 1.
- 11) See Standard Industry Piggyback Truss Connection Detail for Connection to base truss as applicable, or consult qualified building designer.

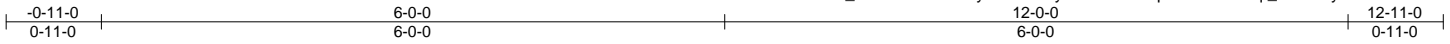


Job 24-2994-A	Truss T01	Truss Type COMMON	Qty 5	Ply 1	RVF-LOT #15 ROOF 165708176
------------------	--------------	----------------------	----------	----------	-------------------------------

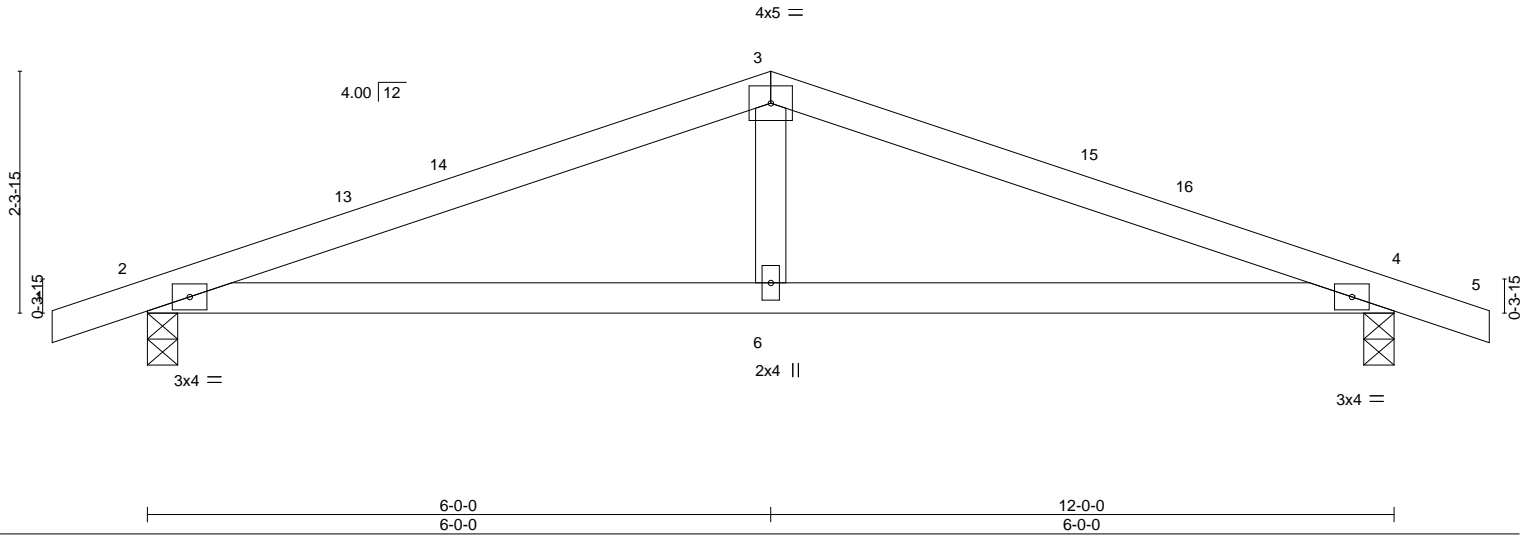
Riverside Roof Truss, LLC, Danville, Va - 24541,

8.730 s Apr 25 2024 MiTek Industries, Inc. Mon May 20 16:21:15 2024 Page 1

ID:Bxl2MwYau_NHkbraGcmHloyOvst-ZEJyLuZVSz7Ui5pRwszZ0fkMqf_xVNeGy65JF0zEYoo



Scale = 1:22.2



LOADING (psf)	SPACING-	CSI.	DEFL.	PLATES	GRIP
TCLL (roof) 20.0	2-0-0	TC 0.46	in (loc) l/defl L/d	MT20	244/190
Snow (Pf/Pg) 11.6/15.0	Plate Grip DOL 1.15	BC 0.52	Vert(LL) -0.05 6-12 >999 240		
TCDL 10.0	Lumber DOL 1.15	WB 0.11	Vert(CT) -0.10 6-12 >999 180		
BCLL 0.0 *	Rep Stress Incr YES	Matrix-MS	Horz(CT) 0.01 4 n/a n/a		
BCDL 10.0	Code IRC2018/TPI2014			Weight: 42 lb	FT = 20%

LUMBER-	BRACING-
TOP CHORD 2x4 SP No.2	TOP CHORD Structural wood sheathing directly applied or 5-5-14 oc purlins.
BOT CHORD 2x4 SP No.2	BOT CHORD Rigid ceiling directly applied or 10-0-0 oc bracing.
WEBS 2x4 SP No.3	

REACTIONS. (size) 2=0-3-8, 4=0-3-8
 Max Horz 2=24(LC 15)
 Max Uplift 2=-58(LC 16), 4=-58(LC 16)
 Max Grav 2=535(LC 2), 4=535(LC 2)

FORCES. (lb) - Max. Comp./Max. Ten. - All forces 250 (lb) or less except when shown.
 TOP CHORD 2-3=-892/294, 3-4=-892/294
 BOT CHORD 2-6=-198/813, 4-6=-198/813
 WEBS 3-6=0/277

- NOTES-**
- Unbalanced roof live loads have been considered for this design.
 - Wind: ASCE 7-16; Vult=130mph (3-second gust) Vasd=103mph; TC DL=6.0psf; BCDL=6.0psf; h=25ft; B=45ft; L=24ft; eave=4ft; Cat. II; Exp B; Enclosed; MWFRS (directional) and C-C Exterior(2E) -0-11-0 to 2-1-0, Interior(1) 2-1-0 to 6-0-0, Exterior(2R) 6-0-0 to 9-0-0, Interior(1) 9-0-0 to 12-11-0 zone; cantilever left and right exposed; end vertical left and right exposed; C-C for members and forces & MWFRS for reactions shown; Lumber DOL=1.60 plate grip DOL=1.60
 - TCLL: ASCE 7-16; Pr=20.0 psf (roof LL: Lum DOL=1.15 Plate DOL=1.15); Pg=15.0 psf; Pf=11.6 psf (Lum DOL=1.15 Plate DOL=1.15); Is=1.0; Rough Cat B; Partially Exp.; Ce=1.0; Cs=1.00; Ct=1.10
 - Unbalanced snow loads have been considered for this design.
 - This truss has been designed for greater of min roof live load of 12.0 psf or 1.00 times flat roof load of 11.6 psf on overhangs non-concurrent with other live loads.
 - This truss has been designed for a 10.0 psf bottom chord live load nonconcurrent with any other live loads.
 - * This truss has been designed for a live load of 20.0psf on the bottom chord in all areas where a rectangle 3-6-0 tall by 2-0-0 wide will fit between the bottom chord and any other members.
 - Provide mechanical connection (by others) of truss to bearing plate capable of withstanding 100 lb uplift at joint(s) 2, 4.
 - This truss is designed in accordance with the 2018 International Residential Code sections R502.11.1 and R802.10.2 and referenced standard ANSI/TPI 1.



May 22, 2024

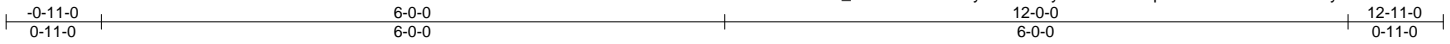
<p>WARNING - Verify design parameters and READ NOTES ON THIS AND INCLUDED MITEK REFERENCE PAGE MII-7473 rev. 1/2/2023 BEFORE USE.</p> <p>Design valid for use only with MiTek® connectors. This design is based only upon parameters shown, and is for an individual building component, not a truss system. Before use, the building designer must verify the applicability of design parameters and properly incorporate this design into the overall building design. Bracing indicated is to prevent buckling of individual truss web and/or chord members only. Additional temporary and permanent bracing is always required for stability and to prevent collapse with possible personal injury and property damage. For general guidance regarding the fabrication, storage, delivery, erection and bracing of trusses and truss systems, see ANSI/TP1 Quality Criteria and DSB-22 available from Truss Plate Institute (www.tpinst.org) and BCSI Building Component Safety Information available from the Structural Building Component Association (www.sbcacomponents.com)</p>	<p>818 Soundside Road Edenton, NC 27932</p>
--	---

Job 24-2994-A	Truss T01GE	Truss Type COMMON STRUCTURAL GA	Qty 1	Ply 1	RVF-LOT #15 ROOF Job Reference (optional)	165708177
------------------	----------------	------------------------------------	----------	----------	--	-----------

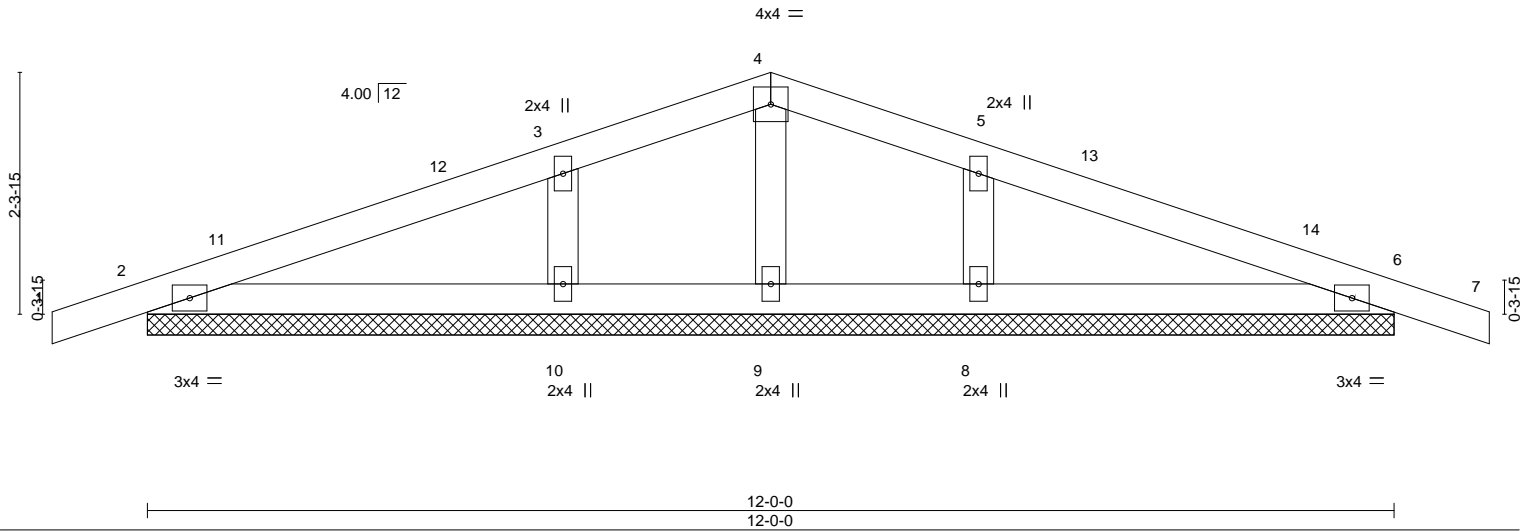
Riverside Roof Truss, LLC, Danville, Va - 24541,

8.730 s Apr 25 2024 MiTek Industries, Inc. Mon May 20 16:21:15 2024 Page 1

ID:Bxl2MwYau_NHkbraGcmHloyOvst-ZEJyLuZVSz7Ui5pRwszZ0fkR7f5GVN8Gy65JF0zEYoo



Scale = 1:22.2



LOADING (psf)	SPACING-	CSI.	DEFL.	PLATES	GRIP
TCLL (roof) 20.0	2-0-0	TC 0.18	in (loc) l/defl L/d	MT20	244/190
Snow (Pf/Pg) 11.6/15.0	Plate Grip DOL 1.15	BC 0.12	Vert(LL) 0.00 7 n/r 120		
TCDL 10.0	Lumber DOL 1.15	WB 0.07	Vert(CT) 0.01 7 n/r 120		
BCLL 0.0 *	Rep Stress Incr YES	Matrix-S	Horz(CT) 0.00 6 n/a n/a		
BCDL 10.0	Code IRC2018/TPI2014			Weight: 46 lb	FT = 20%

LUMBER-
TOP CHORD 2x4 SP No.2
BOT CHORD 2x4 SP No.2
OTHERS 2x4 SP No.3

BRACING-
TOP CHORD Structural wood sheathing directly applied or 6-0-0 oc purlins.
BOT CHORD Rigid ceiling directly applied or 10-0-0 oc bracing.

REACTIONS. All bearings 12-0-0.
(lb) - Max Horz 2=24(LC 15)
Max Uplift All uplift 100 lb or less at joint(s) 2, 6, 10, 8
Max Grav All reactions 250 lb or less at joint(s) 2, 6, 9 except 10=338(LC 21), 8=338(LC 22)

FORCES. (lb) - Max. Comp./Max. Ten. - All forces 250 (lb) or less except when shown.

NOTES-

- Unbalanced roof live loads have been considered for this design.
- Wind: ASCE 7-16; Vult=130mph (3-second gust) Vasd=103mph; TCCL=6.0psf; BCDL=6.0psf; h=25ft; B=45ft; L=24ft; eave=2ft; Cat. II; Exp B; Enclosed; MWFRS (directional) and C-C Corner(3E) -0-11-0 to 2-1-0, Exterior(2N) 2-1-0 to 6-0-0, Corner(3R) 6-0-0 to 9-0-0, Exterior(2N) 9-0-0 to 12-11-0 zone; cantilever left and right exposed; end vertical left and right exposed; C-C for members and forces & MWFRS for reactions shown; Lumber DOL=1.60 plate grip DOL=1.60
- Truss designed for wind loads in the plane of the truss only. For studs exposed to wind (normal to the face), see Standard Industry Gable End Details as applicable, or consult qualified building designer as per ANSI/TPI 1.
- TCLL: ASCE 7-16; Pr=20.0 psf (roof LL: Lum DOL=1.15 Plate DOL=1.15); Pg=15.0 psf; Pf=11.6 psf (Lum DOL=1.15 Plate DOL=1.15); Is=1.0; Rough Cat B; Partially Exp.; Ce=1.0; Cs=1.00; Ct=1.10
- Unbalanced snow loads have been considered for this design.
- This truss has been designed for greater of min roof live load of 12.0 psf or 1.00 times flat roof load of 11.6 psf on overhangs non-concurrent with other live loads.
- Gable requires continuous bottom chord bearing.
- Gable studs spaced at 2-0-0 oc.
- This truss has been designed for a 10.0 psf bottom chord live load nonconcurrent with any other live loads.
- * This truss has been designed for a live load of 20.0psf on the bottom chord in all areas where a rectangle 3-6-0 tall by 2-0-0 wide will fit between the bottom chord and any other members.
- Provide mechanical connection (by others) of truss to bearing plate capable of withstanding 100 lb uplift at joint(s) 2, 6, 10, 8.
- Beveled plate or shim required to provide full bearing surface with truss chord at joint(s) 6.
- This truss is designed in accordance with the 2018 International Residential Code sections R502.11.1 and R802.10.2 and referenced standard ANSI/TPI 1.



May 22, 2024

WARNING - Verify design parameters and READ NOTES ON THIS AND INCLUDED MITEK REFERENCE PAGE MII-7473 rev. 1/2/2023 BEFORE USE.

Design valid for use only with MiTek® connectors. This design is based only upon parameters shown, and is for an individual building component, not a truss system. Before use, the building designer must verify the applicability of design parameters and properly incorporate this design into the overall building design. Bracing indicated is to prevent buckling of individual truss web and/or chord members only. Additional temporary and permanent bracing is always required for stability and to prevent collapse with possible personal injury and property damage. For general guidance regarding the fabrication, storage, delivery, erection and bracing of trusses and truss systems, see **ANSI/TPH Quality Criteria and DSB-22** available from Truss Plate Institute (www.tpinst.org) and **BCSI Building Component Safety Information** available from the Structural Building Component Association (www.sbcacomponents.com)



818 Soundside Road
Edenton, NC 27932

Job 24-2994-A	Truss T02	Truss Type COMMON	Qty 2	Ply 1	RVF-LOT #15 ROOF	165708178
------------------	--------------	----------------------	----------	----------	------------------	-----------

Riverside Roof Truss, LLC, Danville, Va - 24541,

8.730 s Apr 25 2024 MiTek Industries, Inc. Mon May 20 16:21:16 2024 Page 1

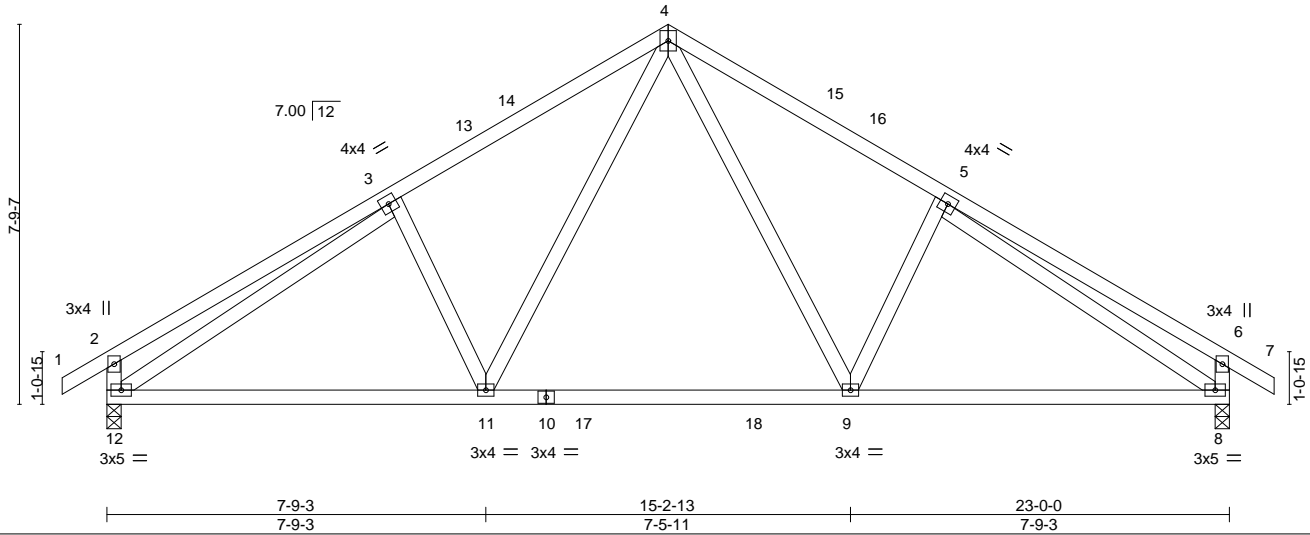
ID:Bxl2MwYau_NHkbraGcmHloyOvst-1QtKZEa7DGFLKF0dUaUoYsGYn3lpEdgQBmrnsSzEYon

Job Reference (optional)



4x5 ||

Scale = 1:47.2



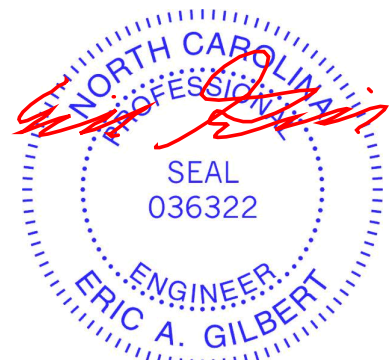
LOADING (psf)	SPACING-	CSI.	DEFL.	PLATES	GRIP
TCLL (roof) 20.0	2-0-0	TC 0.44	in (loc) l/defl L/d	MT20	244/190
Snow (Pf/Pg) 11.6/15.0	Plate Grip DOL 1.15	BC 0.67	Vert(LL) -0.11 9-11 >999 240		
TCDL 10.0	Lumber DOL 1.15	WB 0.95	Vert(CT) -0.17 8-9 >999 180		
BCLL 0.0 *	Rep Stress Incr YES	Matrix-MS	Horz(CT) 0.04 8 n/a n/a		
BCDL 10.0	Code IRC2018/TPI2014			Weight: 136 lb	FT = 20%

LUMBER-	BRACING-
TOP CHORD 2x4 SP No.2	TOP CHORD Structural wood sheathing directly applied or 5-1-0 oc purlins, except end verticals.
BOT CHORD 2x4 SP No.2	BOT CHORD Rigid ceiling directly applied or 10-0-0 oc bracing.
WEBS 2x4 SP No.3	

REACTIONS. (size) 12=0-3-8, 8=0-3-8
 Max Horz 12=-172(LC 14)
 Max Uplift 12=-88(LC 16), 8=-88(LC 16)
 Max Grav 12=1075(LC 28), 8=1075(LC 29)

FORCES. (lb) - Max. Comp./Max. Ten. - All forces 250 (lb) or less except when shown.
 TOP CHORD 2-3=-386/112, 3-4=-1236/180, 4-5=-1236/180, 5-6=-386/112, 2-12=-375/122, 6-8=-375/122
 BOT CHORD 11-12=-56/1163, 9-11=0/824, 8-9=-45/1061
 WEBS 4-9=-43/552, 4-11=-43/552, 3-12=-1028/47, 5-8=-1028/46

- NOTES-**
- Unbalanced roof live loads have been considered for this design.
 - Wind: ASCE 7-16; Vult=130mph (3-second gust) Vasd=103mph; TCCL=6.0psf; BCDL=6.0psf; h=25ft; B=45ft; L=24ft; eave=4ft; Cat. II; Exp B; Enclosed; MWFRS (directional) and C-C Exterior(2E) -0-11-0 to 2-1-0, Interior(1) 2-1-0 to 11-6-0, Exterior(2R) 11-6-0 to 14-6-0, Interior(1) 14-6-0 to 23-11-0 zone; cantilever left and right exposed; end vertical left and right exposed; C-C for members and forces & MWFRS for reactions shown; Lumber DOL=1.60 plate grip DOL=1.60
 - TCLL: ASCE 7-16; Pr=20.0 psf (roof LL: Lum DOL=1.15 Plate DOL=1.15); Pg=15.0 psf; Pf=11.6 psf (Lum DOL=1.15 Plate DOL=1.15); Is=1.0; Rough Cat B; Partially Exp.; Ce=1.0; Cs=1.00; Ct=1.10
 - Unbalanced snow loads have been considered for this design.
 - This truss has been designed for greater of min roof live load of 12.0 psf or 1.00 times flat roof load of 11.6 psf on overhangs non-concurrent with other live loads.
 - This truss has been designed for a 10.0 psf bottom chord live load nonconcurrent with any other live loads.
 - * This truss has been designed for a live load of 20.0psf on the bottom chord in all areas where a rectangle 3-6-0 tall by 2-0-0 wide will fit between the bottom chord and any other members, with BCDL = 10.0psf.
 - Provide mechanical connection (by others) of truss to bearing plate capable of withstanding 100 lb uplift at joint(s) 12, 8.
 - This truss is designed in accordance with the 2018 International Residential Code sections R502.11.1 and R802.10.2 and referenced standard ANSI/TPI 1.



May 22, 2024

Job 24-2994-A	Truss T02G	Truss Type COMMON GIRDER	Qty 1	Ply 3	RVF-LOT #15 ROOF Job Reference (optional)	165708179
------------------	---------------	-----------------------------	----------	----------	--	-----------

Riverside Roof Truss, LLC, Danville, Va - 24541,

8.730 s Apr 25 2024 MiTek Industries, Inc. Mon May 20 16:21:17 2024 Page 1

ID:BxI2MwYau_NHkbraGCmHloyOvst-VcRimabl_aNCxPzq2H?154pb5TfRz3XZQaQKuzEYom



5x6 ||

Scale = 1:51.0

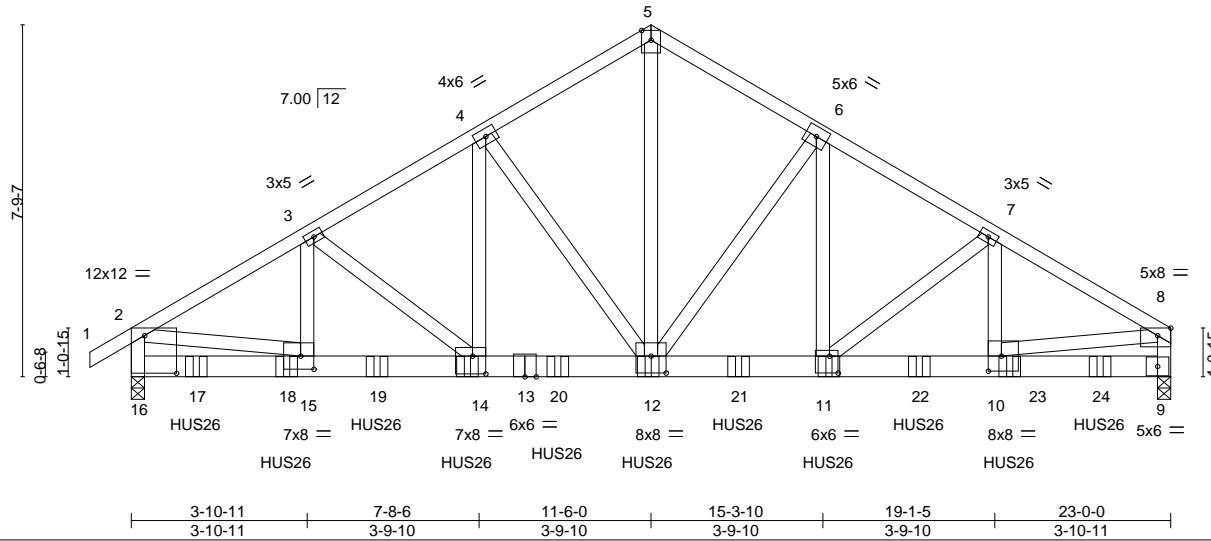


Plate Offsets (X,Y)-- [2:0-8-8,0-10-0], [8:0-3-8,Edge], [10:0-3-8,0-4-0], [11:0-2-4,0-4-8], [12:0-4-0,0-4-8], [14:0-3-8,0-4-12], [15:0-3-8,0-3-8]

LOADING (psf)		SPACING-	2-0-0	CSI.		DEFL.	in (loc)	l/defl	L/d	PLATES	GRIP
TCLL (roof)	20.0	Plate Grip DOL	1.15	TC	0.92	Vert(LL)	-0.16 11-12	>999	240	MT20	244/190
Snow (Pf/Pg)	11.6/15.0	Lumber DOL	1.15	BC	0.52	Vert(CT)	-0.29 11-12	>947	180		
TCDL	10.0	Rep Stress Incr	NO	WB	0.98	Horz(CT)	0.05 9	n/a	n/a		
BCLL	0.0 *	Code IRC2018/TPI2014		Matrix-MS							
BCDL	10.0									Weight: 512 lb	FT = 20%

LUMBER-
TOP CHORD 2x4 SP No.2
BOT CHORD 2x6 SP 2400F 2.0E
WEBS 2x4 SP No.3 *Except*
5-12,2-16: 2x4 SP No.2, 2-15,8-9,8-10: 2x4 SP No.1

BRACING-
TOP CHORD Structural wood sheathing directly applied or 4-4-9 oc purlins, except end verticals.
BOT CHORD Rigid ceiling directly applied or 10-0-0 oc bracing.

REACTIONS. (size) 16=0-3-8, 9=0-3-8
Max Horz 16=166(LC 37)
Max Uplift 16=554(LC 12), 9=371(LC 12)
Max Grav 16=12532(LC 3), 9=12860(LC 3)

FORCES. (lb) - Max. Comp./Max. Ten. - All forces 250 (lb) or less except when shown.
TOP CHORD 2-3=-16110/658, 3-4=-15067/569, 4-5=-12131/474, 5-6=-12130/474, 6-7=-15276/518,
7-8=-16649/508, 2-16=-10822/481, 8-9=-11112/347
BOT CHORD 15-16=-173/1646, 14-15=-508/13819, 12-14=-370/12995, 11-12=-325/13172,
10-11=-381/14303, 9-10=-48/1629
WEBS 5-12=-406/11943, 6-12=-4589/175, 6-11=-96/5102, 7-11=-1454/71, 7-10=-60/1513,
4-12=-4292/251, 4-14=-182/4749, 3-14=-1064/174, 3-15=-176/1144, 3-15=-430/12425,
8-10=-340/12936

- NOTES-**
- 1) 3-ply truss to be connected together with 10d (0.131"x3") nails as follows:
Top chords connected as follows: 2x4 - 1 row at 0-7-0 oc.
Bottom chords connected as follows: 2x6 - 3 rows staggered at 0-5-0 oc.
Webs connected as follows: 2x4 - 1 row at 0-9-0 oc.
 - 2) All loads are considered equally applied to all plies, except if noted as front (F) or back (B) face in the LOAD CASE(S) section. Ply to ply connections have been provided to distribute only loads noted as (F) or (B), unless otherwise indicated.
 - 3) Unbalanced roof live loads have been considered for this design.
 - 4) Wind: ASCE 7-16; Vult=130mph (3-second gust) Vasd=103mph; TCDL=6.0psf; BCDL=6.0psf; h=25ft; B=45ft; L=24ft; eave=4ft; Cat. II; Exp B; Enclosed; MWFRS (directional); cantilever left and right exposed ; end vertical left and right exposed; Lumber DOL=1.60 plate grip DOL=1.60
 - 5) TCLL: ASCE 7-16; Pr=20.0 psf (roof LL: Lum DOL=1.15 Plate DOL=1.15); Pg=15.0 psf; Pf=11.6 psf (Lum DOL=1.15 Plate DOL=1.15); Is=1.0; Rough Cat B; Partially Exp.; Ce=1.0; Cs=1.00; Ct=1.10
 - 6) Unbalanced snow loads have been considered for this design.
 - 7) This truss has been designed for greater of min roof live load of 12.0 psf or 1.00 times flat roof load of 11.6 psf on overhangs non-concurrent with other live loads.
 - 8) This truss has been designed for a 10.0 psf bottom chord live load nonconcurrent with any other live loads.
 - 9) * This truss has been designed for a live load of 20.0psf on the bottom chord in all areas where a rectangle 3-6-0 tall by 2-0-0 wide will fit between the bottom chord and any other members.
 - 10) Bearing at joint(s) 16, 9 considers parallel to grain value using ANSI/TPI 1 angle to grain formula. Building designer should verify capacity of bearing surface.



May 22, 2024

Continued on page 2

WARNING - Verify design parameters and READ NOTES ON THIS AND INCLUDED MITEK REFERENCE PAGE MII-7473 rev. 1/2/2023 BEFORE USE.
Design valid for use only with MiTek® connectors. This design is based only upon parameters shown, and is for an individual building component, not a truss system. Before use, the building designer must verify the applicability of design parameters and properly incorporate this design into the overall building design. Bracing indicated is to prevent buckling of individual truss web and/or chord members only. Additional temporary and permanent bracing is always required for stability and to prevent collapse with possible personal injury and property damage. For general guidance regarding the fabrication, storage, delivery, erection and bracing of trusses and truss systems, see **ANSI/TPI1 Quality Criteria and DSB-22** available from Truss Plate Institute (www.tpinst.org) and **BCSI Building Component Safety Information** available from the Structural Building Component Association (www.sbcacomponents.com)



Job 24-2994-A	Truss T02G	Truss Type COMMON GIRDER	Qty 1	Ply 3	RVF-LOT #15 ROOF I65708179 Job Reference (optional)
------------------	---------------	-----------------------------	----------	-----------------	---

Riverside Roof Truss, LLC, Danville, Va - 24541,

8.730 s Apr 25 2024 MiTek Industries, Inc. Mon May 20 16:21:17 2024 Page 2
ID:Bxl2MwYau_NHkbraGCmHloyOvst-VcRimabl_aNCxPzq2H?154pb5TfRz3XZQQaQKuzEYom

NOTES-

- 11) Provide mechanical connection (by others) of truss to bearing plate capable of withstanding 100 lb uplift at joint(s) except (jt=lb) 16=554, 9=371.
- 12) This truss is designed in accordance with the 2018 International Residential Code sections R502.11.1 and R802.10.2 and referenced standard ANSI/TPI 1.
- 13) Use Simpson Strong-Tie HUS26 (14-10d Girder, 6-10d Truss, Single Ply Girder) or equivalent spaced at 2-0-0 oc max. starting at 1-5-4 from the left end to 5-5-4 to connect truss(es) to front face of bottom chord.
- 14) Use Simpson Strong-Tie HUS26 (14-10d Girder, 6-10d Truss) or equivalent spaced at 2-0-0 oc max. starting at 7-5-4 from the left end to 21-5-4 to connect truss(es) to front face of bottom chord.
- 15) Fill all nail holes where hanger is in contact with lumber.

LOAD CASE(S) Standard

- 1) Dead + Snow (balanced): Lumber Increase=1.15, Plate Increase=1.15

Uniform Loads (plf)

Vert: 1-2=-43, 2-5=-43, 5-8=-43, 9-16=-20

Concentrated Loads (lb)

Vert: 12=-1818(F) 11=-1818(F) 14=-1818(F) 17=-1703(F) 18=-1703(F) 19=-1703(F) 20=-1818(F) 21=-1818(F) 22=-1818(F) 23=-1818(F) 24=-1818(F)

WARNING - Verify design parameters and READ NOTES ON THIS AND INCLUDED MITEK REFERENCE PAGE MII-7473 rev. 1/2/2023 BEFORE USE.

Design valid for use only with MiTek® connectors. This design is based only upon parameters shown, and is for an individual building component, not a truss system. Before use, the building designer must verify the applicability of design parameters and properly incorporate this design into the overall building design. Bracing indicated is to prevent buckling of individual truss web and/or chord members only. Additional temporary and permanent bracing is always required for stability and to prevent collapse with possible personal injury and property damage. For general guidance regarding the fabrication, storage, delivery, erection and bracing of trusses and truss systems, see **ANSI/TPI1 Quality Criteria and DSB-22** available from Truss Plate Institute (www.tpinst.org) and **BCSI Building Component Safety Information** available from the Structural Building Component Association (www.sbcacomponents.com)

ENGINEERING BY
TRENCO
A MiTek Affiliate

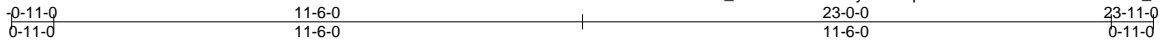
818 Soundside Road
Edenton, NC 27932

Job 24-2994-A	Truss T02GE	Truss Type COMMON SUPPORTED GAB	Qty 1	Ply 1	RVF-LOT #15 ROOF Job Reference (optional)	165708180
------------------	----------------	------------------------------------	----------	----------	--	-----------

Riverside Roof Truss, LLC, Danville, Va - 24541,

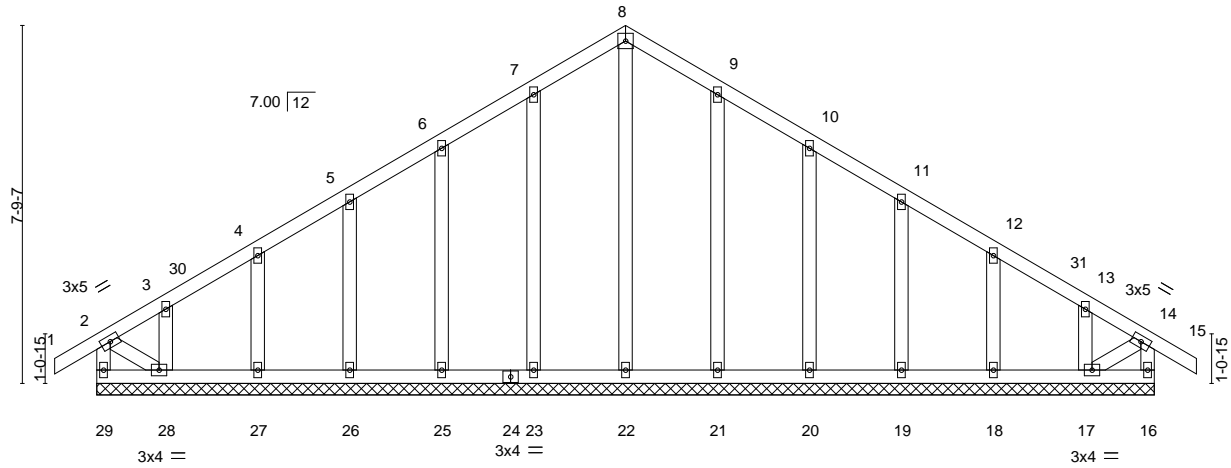
8.730 s Apr 25 2024 MiTek Industries, Inc. Mon May 20 16:21:18 2024 Page 1

ID:Bxl2MwYau_NHkbraGCmHloyOvst-zp?4zwbNluV3ZZX0c?XGeHMz_t7Fij?je4KzsLzEYol



4x4 =

Scale = 1:50.1



23-0-0
23-0-0

LOADING (psf)	SPACING-	CSI.	DEFL.	in (loc)	l/defl	L/d	PLATES	GRIP
TCLL (roof) 20.0	2-0-0	TC 0.08	Vert(LL) -0.00	15	n/r	120	MT20	244/190
Snow (Pf/Pg) 11.6/15.0	Plate Grip DOL 1.15	BC 0.03	Vert(CT) -0.00	15	n/r	120		
TCDL 10.0	Lumber DOL 1.15	WB 0.13	Horz(CT) 0.00	16	n/a	n/a		
BCLL 0.0 *	Rep Stress Incr YES	Matrix-S					Weight: 149 lb	FT = 20%
BCDL 10.0	Code IRC2018/TPI2014							

LUMBER-
TOP CHORD 2x4 SP No.2
BOT CHORD 2x4 SP No.2
WEBS 2x4 SP No.3
OTHERS 2x4 SP No.3

BRACING-
TOP CHORD Structural wood sheathing directly applied or 6-0-0 oc purlins, except end verticals.
BOT CHORD Rigid ceiling directly applied or 10-0-0 oc bracing. Except: 6-0-0 oc bracing: 28-29,16-17.

REACTIONS. All bearings 23-0-0.
(lb) - Max Horz 29=-172(LC 14)
Max Uplift All uplift 100 lb or less at joint(s) 29, 23, 25, 26, 27, 28, 21, 20, 19, 18, 17
Max Grav All reactions 250 lb or less at joint(s) 29, 16, 22, 23, 25, 26, 27, 28, 21, 20, 19, 18, 17

FORCES. (lb) - Max. Comp./Max. Ten. - All forces 250 (lb) or less except when shown.

NOTES-

- Unbalanced roof live loads have been considered for this design.
- Wind: ASCE 7-16; Vult=130mph (3-second gust) Vasd=103mph; TCCL=6.0psf; BCDL=6.0psf; h=25ft; B=45ft; L=24ft; eave=2ft; Cat. II; Exp B; Enclosed; MWFRS (directional) and C-C Corner(3E) -0-11-0 to 2-1-0, Exterior(2N) 2-1-0 to 11-6-0, Corner(3R) 11-6-0 to 14-6-0, Exterior(2N) 14-6-0 to 23-11-0 zone; cantilever left and right exposed; end vertical left and right exposed; C-C for members and forces & MWFRS for reactions shown; Lumber DOL=1.60 plate grip DOL=1.60
- Truss designed for wind loads in the plane of the truss only. For studs exposed to wind (normal to the face), see Standard Industry Gable End Details as applicable, or consult qualified building designer as per ANSI/TPI 1.
- TCLL: ASCE 7-16; Pr=20.0 psf (roof LL: Lum DOL=1.15 Plate DOL=1.15); Pg=15.0 psf; Pf=11.6 psf (Lum DOL=1.15 Plate DOL=1.15); Is=1.0; Rough Cat B; Partially Exp.; Ce=1.0; Cs=1.00; Ct=1.10
- Unbalanced snow loads have been considered for this design.
- This truss has been designed for greater of min roof live load of 12.0 psf or 1.00 times flat roof load of 11.6 psf on overhangs non-concurrent with other live loads.
- All plates are 2x4 MT20 unless otherwise indicated.
- Gable requires continuous bottom chord bearing.
- Truss to be fully sheathed from one face or securely braced against lateral movement (i.e. diagonal web).
- Gable studs spaced at 2-0-0 oc.
- This truss has been designed for a 10.0 psf bottom chord live load nonconcurrent with any other live loads.
- * This truss has been designed for a live load of 20.0psf on the bottom chord in all areas where a rectangle 3-6-0 tall by 2-0-0 wide will fit between the bottom chord and any other members.
- Provide mechanical connection (by others) of truss to bearing plate capable of withstanding 100 lb uplift at joint(s) 29, 23, 25, 26, 27, 28, 21, 20, 19, 18, 17.
- This truss is designed in accordance with the 2018 International Residential Code sections R502.11.1 and R802.10.2 and referenced standard ANSI/TPI 1.



May 22, 2024

Job 24-2994-A	Truss T03	Truss Type PIGGYBACK BASE	Qty 7	Ply 1	RVF-LOT #15 ROOF	165708181
------------------	--------------	------------------------------	----------	----------	------------------	-----------

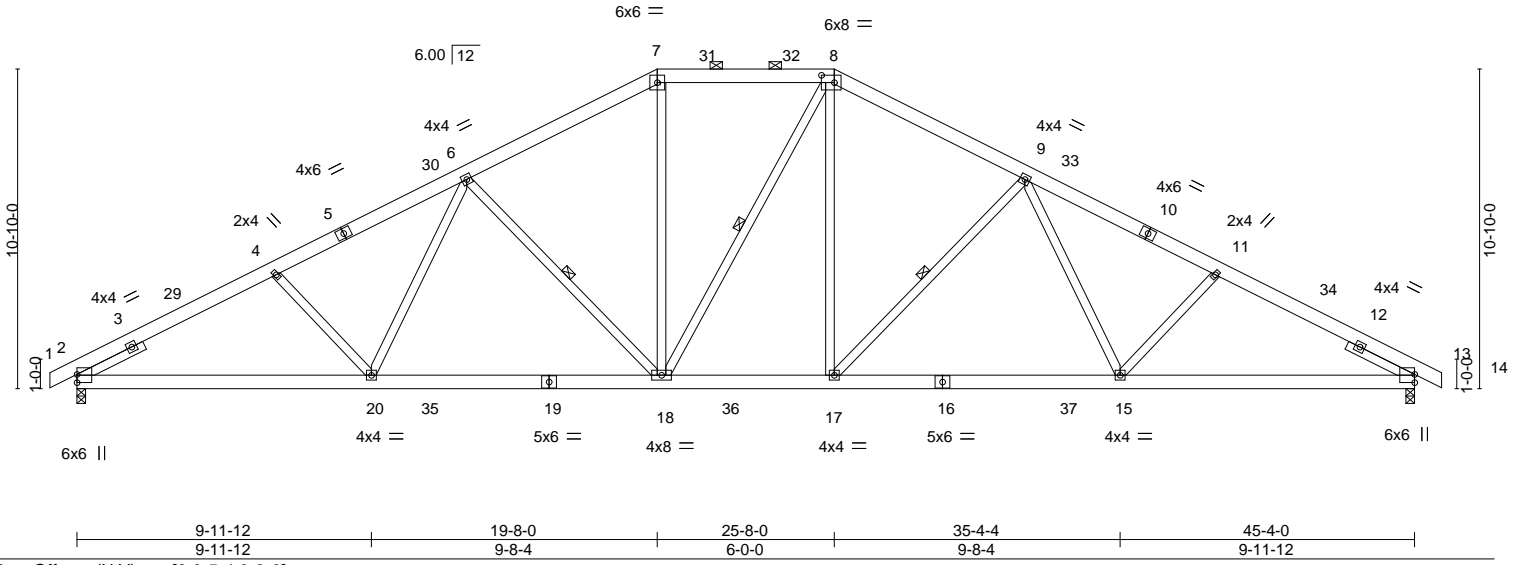
Riverside Roof Truss, LLC, Danville, Va - 24541,

8.730 s Apr 25 2024 MiTek Industries, Inc. Mon May 20 16:21:19 2024 Page 1

ID:Bxl2MwYau_NHkbraGCMHloyOvst-R?ZSBGc?WBdwBi6C9i2VAVu0BGFIR6Cstk3WOnzEYok

0-11-0	6-9-0	13-2-8	19-8-0	25-8-0	32-1-8	38-7-0	45-4-0	46-3-0
0-11-0	6-9-0	6-5-8	6-5-8	6-0-0	6-5-8	6-5-8	6-9-0	0-11-0

Scale = 1:78.1



LOADING (psf)	SPACING-	CSI.	DEFL.	PLATES	GRIP
TCLL (roof) 20.0	2-0-0	TC 0.62	in (loc) l/defl L/d	MT20	244/190
Snow (Pf/Pg) 16.5/15.0	Plate Grip DOL 1.15	BC 0.91	Vert(LL) -0.26 15-17 >999 240		
TCDL 10.0	Lumber DOL 1.15	WB 0.39	Vert(CT) -0.45 15-17 >999 180		
BCLL 0.0 *	Rep Stress Incr YES	Matrix-MS	Horz(CT) 0.13 13 n/a n/a		
BCDL 10.0	Code IRC2018/TPI2014			Weight: 346 lb	FT = 20%

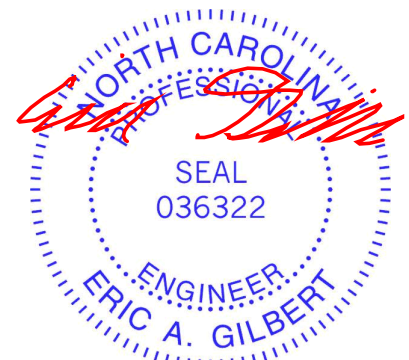
LUMBER-	BRACING-
TOP CHORD 2x6 SP No.2	TOP CHORD Structural wood sheathing directly applied or 3-0-3 oc purlins, except 2-0-0 oc purlins (4-8-12 max.): 7-8.
BOT CHORD 2x6 SP No.2	BOT CHORD Rigid ceiling directly applied or 10-0-0 oc bracing.
WEBS 2x4 SP No.3	WEBS 1 Row at midpt 6-18, 8-18, 9-17
SLIDER Left 2x4 SP No.3 2-6-0, Right 2x4 SP No.3 2-6-0	

REACTIONS. (size) 2=0-3-8, 13=0-3-8
 Max Horz 2=202(LC 15)
 Max Uplift 2=139(LC 16), 13=139(LC 16)
 Max Grav 2=2131(LC 28), 13=2133(LC 29)

FORCES. (lb) - Max. Comp./Max. Ten. - All forces 250 (lb) or less except when shown.

TOP CHORD	2-4=-3501/314, 4-6=-3339/316, 6-7=-2592/341, 7-8=-2263/341, 8-9=-2595/341, 9-11=-3345/316, 11-13=-3507/314
BOT CHORD	2-20=-188/3176, 18-20=-128/2870, 17-18=-28/2295, 15-17=-136/2726, 13-15=-196/3029
WEBS	6-20=0/511, 6-18=-826/160, 7-18=-31/883, 8-17=-29/942, 9-17=-830/159, 9-15=0/514

- NOTES-**
- 1) Unbalanced roof live loads have been considered for this design.
 - 2) Wind: ASCE 7-16; Vult=130mph (3-second gust) Vasd=103mph; TCDL=6.0psf; BCDL=6.0psf; h=25ft; B=45ft; L=45ft; eave=6ft; Cat. II; Exp B; Enclosed; MWFRS (directional) and C-C Exterior(2E) -0-11-0 to 3-7-6, Interior(1) 3-7-6 to 19-8-0, Exterior(2E) 19-8-0 to 25-8-0, Exterior(2R) 25-8-0 to 32-1-8, Interior(1) 32-1-8 to 46-3-0 zone; cantilever left and right exposed; end vertical left and right exposed; C-C for members and forces & MWFRS for reactions shown; Lumber DOL=1.60 plate grip DOL=1.60
 - 3) TCLL: ASCE 7-16; Pr=20.0 psf (roof LL: Lum DOL=1.15 Plate DOL=1.15); Pg=15.0 psf; Pf=16.5 psf (Lum DOL=1.15 Plate DOL=1.15); Is=1.0; Rough Cat B; Partially Exp.; Ce=1.0; Cs=1.00; Ct=1.10, Lu=50-0-0; Min. flat roof snow load governs. Rain surcharge applied to all exposed surfaces with slopes less than 0.500/12 in accordance with IBC 1608.3.4.
 - 4) Unbalanced snow loads have been considered for this design.
 - 5) This truss has been designed for greater of min roof live load of 12.0 psf or 1.00 times flat roof load of 11.6 psf on overhangs non-concurrent with other live loads.
 - 6) Provide adequate drainage to prevent water ponding.
 - 7) This truss has been designed for a 10.0 psf bottom chord live load nonconcurrent with any other live loads.
 - 8) * This truss has been designed for a live load of 20.0psf on the bottom chord in all areas where a rectangle 3-6-0 tall by 2-0-0 wide will fit between the bottom chord and any other members, with BCDL = 10.0psf.
 - 9) Provide mechanical connection (by others) of truss to bearing plate capable of withstanding 100 lb uplift at joint(s) except (jt=lb) 2=139, 13=139.
 - 10) This truss is designed in accordance with the 2018 International Residential Code sections R502.11.1 and R802.10.2 and referenced standard ANSI/TPI 1.
 - 11) Graphical purlin representation does not depict the size or the orientation of the purlin along the top and/or bottom chord.



May 22, 2024

WARNING - Verify design parameters and READ NOTES ON THIS AND INCLUDED MITEK REFERENCE PAGE MII-7473 rev. 1/2/2023 BEFORE USE.

Design valid for use only with MiTek® connectors. This design is based only upon parameters shown, and is for an individual building component, not a truss system. Before use, the building designer must verify the applicability of design parameters and properly incorporate this design into the overall building design. Bracing indicated is to prevent buckling of individual truss web and/or chord members only. Additional temporary and permanent bracing is always required for stability and to prevent collapse with possible personal injury and property damage. For general guidance regarding the fabrication, storage, delivery, erection and bracing of trusses and truss systems, see **ANSI/TP1 Quality Criteria and DSB-22** available from Truss Plate Institute (www.tpinst.org) and **BCSI Building Component Safety Information** available from the Structural Building Component Association (www.sbccomponents.com)

ENGINEERING BY
TRENCO
 A MiTek Affiliate

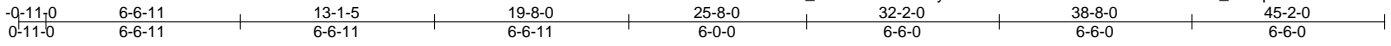
818 Soundside Road
 Edenton, NC 27932

Job 24-2994-A	Truss T03A	Truss Type Piggyback Base	Qty 3	Ply 1	RVF-LOT #15 ROOF Job Reference (optional)	165708182
------------------	---------------	------------------------------	----------	----------	--	-----------

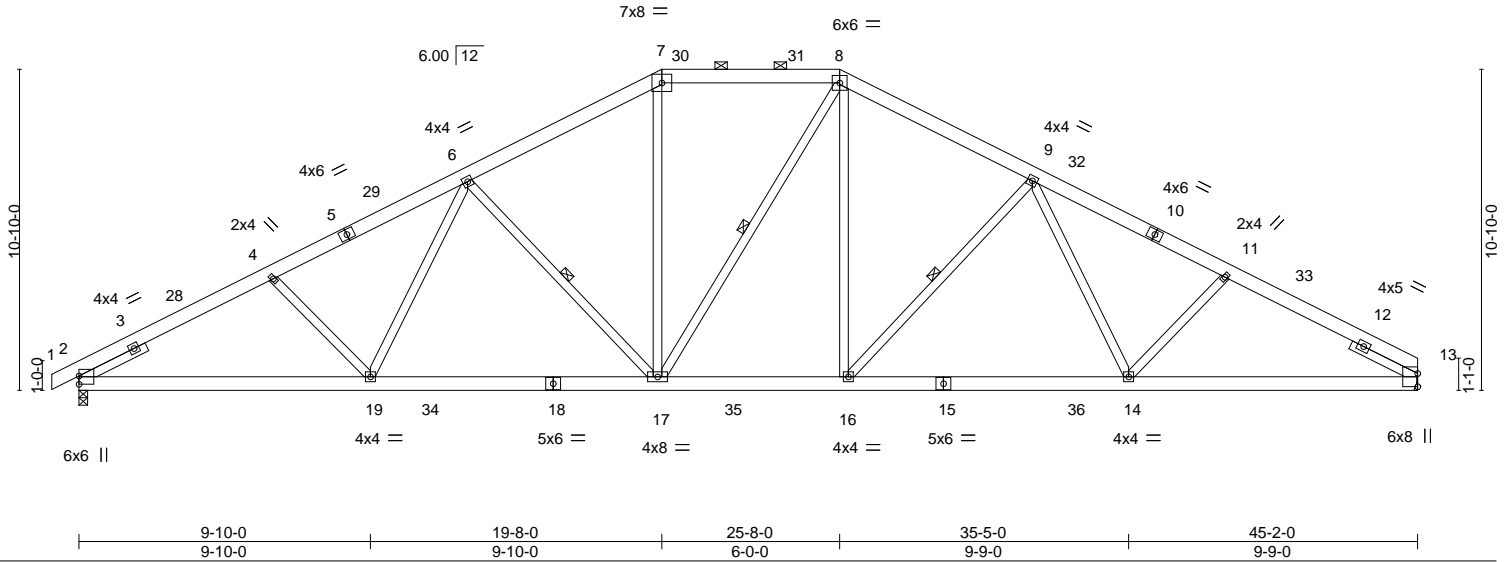
Riverside Roof Truss, LLC, Danville, Va - 24541,

8.730 s Apr 25 2024 MiTek Industries, Inc. Mon May 20 16:21:19 2024 Page 1

ID:Bxl2MwYau_NHkbraGcmHloyOvst-R?ZSBGc?WBdwBi6C9i2VAVu_dGEP7VstK3WOnzEYok



Scale = 1:77.7



LOADING (psf)	SPACING-	CSI.	DEFL.	PLATES	GRIP
TCLL (roof) 20.0	2-0-0	TC 0.72	in (loc) l/defl L/d	MT20	244/190
Snow (Pf/Pg) 16.5/15.0	Plate Grip DOL 1.15	BC 0.97	Vert(LL) -0.26 14-16 >999 240		
TCDL 10.0	Lumber DOL 1.15	WB 0.37	Vert(CT) -0.44 14-16 >999 180		
BCLL 0.0 *	Rep Stress Incr YES	Matrix-MS	Horz(CT) 0.14 13 n/a n/a		
BCDL 10.0	Code IRC2018/TPI2014			Weight: 342 lb	FT = 20%

LUMBER-	BRACING-
TOP CHORD 2x6 SP No.2	TOP CHORD Structural wood sheathing directly applied or 2-8-1 oc purlins, except 2-0-0 oc purlins (4-8-14 max.): 7-8.
BOT CHORD 2x6 SP No.2	BOT CHORD Rigid ceiling directly applied or 10-0-0 oc bracing, Except: 2-2-0 oc bracing: 13-14.
WEBS 2x4 SP No.3	WEBS 1 Row at midpt 6-17, 8-17, 9-16
SLIDER Left 2x4 SP No.3 2-6-0, Right 2x4 SP No.3 2-6-0	

REACTIONS. (size) 2=0-3-8, 13=Mechanical
 Max Horz 2=199(LC 15)
 Max Uplift 2=138(LC 16), 13=109(LC 16)
 Max Grav 2=2129(LC 28), 13=2082(LC 29)

FORCES. (lb) - Max. Comp./Max. Ten. - All forces 250 (lb) or less except when shown.
 TOP CHORD 2-4=-3498/314, 4-6=-3340/316, 6-7=-2614/344, 7-8=-2257/344, 8-9=-2613/342, 9-11=-3292/319, 11-13=-3438/318
 BOT CHORD 2-19=-218/3168, 17-19=-158/2869, 16-17=-41/2278, 14-16=-148/2708, 13-14=-207/2957
 WEBS 6-19=0/495, 6-17=-816/162, 7-17=-31/886, 8-16=-29/947, 9-16=-797/159, 9-14=0/450

- NOTES-**
- 1) Unbalanced roof live loads have been considered for this design.
 - 2) Wind: ASCE 7-16; Vult=130mph (3-second gust) Vasd=103mph; TCDL=6.0psf; BCDL=6.0psf; h=25ft; B=45ft; L=45ft; eave=6ft; Cat. II; Exp B; Enclosed; MWFRS (directional) and C-C Exterior(2E) -0-11-0 to 3-7-3, Interior(1) 3-7-3 to 19-8-0, Exterior(2E) 19-8-0 to 25-8-0, Exterior(2R) 25-8-0 to 32-2-0, Interior(1) 32-2-0 to 45-2-0 zone; cantilever left and right exposed; end vertical left and right exposed; C-C for members and forces & MWFRS for reactions shown; Lumber DOL=1.60 plate grip DOL=1.60
 - 3) TCLL: ASCE 7-16; Pr=20.0 psf (roof LL: Lum DOL=1.15 Plate DOL=1.15); Pg=15.0 psf; Pf=16.5 psf (Lum DOL=1.15 Plate DOL=1.15); Is=1.0; Rough Cat B; Partially Exp.; Ce=1.0; Cs=1.00; Ct=1.10, Lu=50-0-0; Min. flat roof snow load governs. Rain surcharge applied to all exposed surfaces with slopes less than 0.500/12 in accordance with IBC 1608.3.4.
 - 4) Unbalanced snow loads have been considered for this design.
 - 5) This truss has been designed for greater of min roof live load of 12.0 psf or 1.00 times flat roof load of 11.6 psf on overhangs non-concurrent with other live loads.
 - 6) Provide adequate drainage to prevent water ponding.
 - 7) This truss has been designed for a 10.0 psf bottom chord live load nonconcurrent with any other live loads.
 - 8) * This truss has been designed for a live load of 20.0psf on the bottom chord in all areas where a rectangle 3-6-0 tall by 2-0-0 wide will fit between the bottom chord and any other members, with BCDL = 10.0psf.
 - 9) Refer to girder(s) for truss to truss connections.
 - 10) Provide mechanical connection (by others) of truss to bearing plate capable of withstanding 100 lb uplift at joint(s) except (jt=lb) 2=138, 13=109.
 - 11) This truss is designed in accordance with the 2018 International Residential Code sections R502.11.1 and R802.10.2 and referenced standard ANSI/TPI 1.
 - 12) Graphical purlin representation does not depict the size or the orientation of the purlin along the top and/or bottom chord.



May 22, 2024

Job 24-2994-A	Truss T03AGE	Truss Type PIGGYBACK BASE SUPPO	Qty 1	Ply 1	RVF-LOT #15 ROOF Job Reference (optional)	165708183
------------------	-----------------	------------------------------------	----------	----------	--	-----------

Riverside Roof Truss, LLC, Danville, Va - 24541,

8.730 s Apr 25 2024 MiTek Industries, Inc. Mon May 20 16:21:21 2024 Page 1

ID:Bxl2MwYau_NHkbraGcmHloyOvst-OOgDcyeG2pteQ0Gbh74zFw_Ue49pv4Q9K2YdTgzEYoi

-0-11-0	19-8-0	25-8-0	45-0-8
0-11-0	19-8-0	6-0-0	19-4-8

Scale = 1:79.5

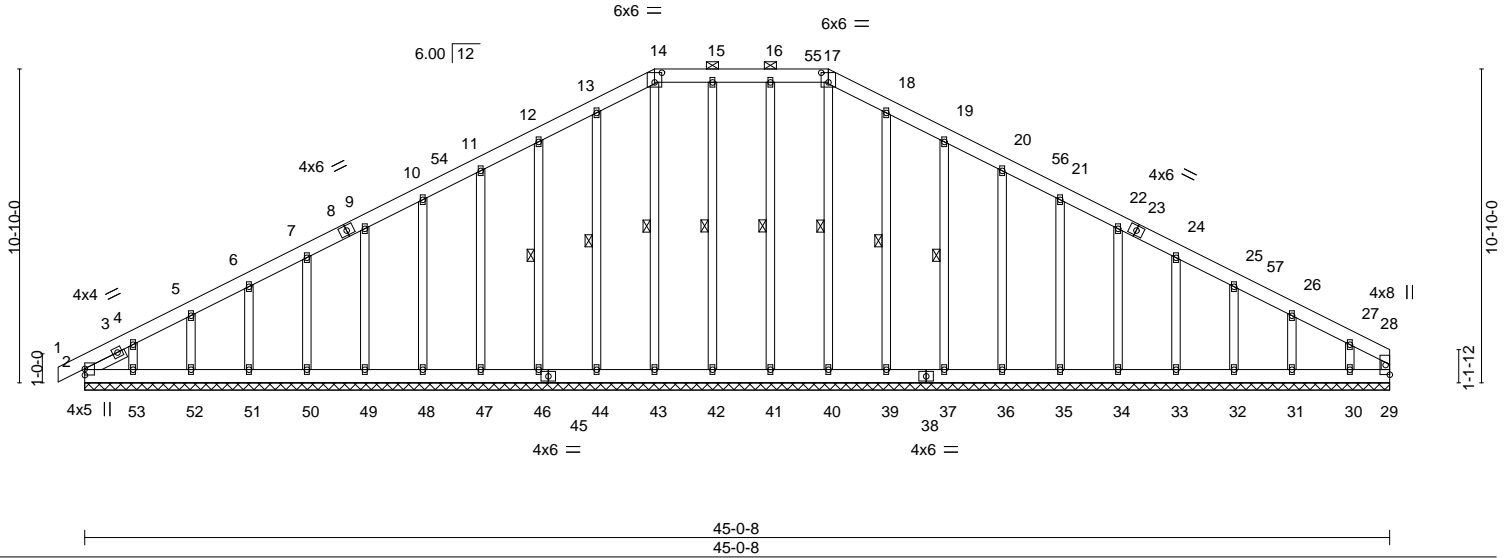


Plate Offsets (X, Y)-- [14:0-3-0,0-4-0], [17:0-3-0,0-4-0]

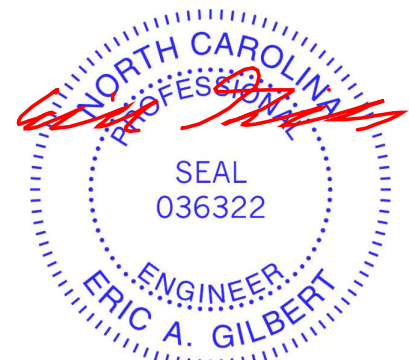
LOADING (psf)		SPACING-	2-0-0	CSI.	DEFL.	in (loc)	l/defl	L/d	PLATES	GRIP
TCLL (roof)	20.0	Plate Grip DOL	1.15	TC	Vert(LL)	-0.00	1	n/r	MT20	244/190
Snow (Pf/Pg)	16.5/15.0	Lumber DOL	1.15	BC	Vert(CT)	-0.00	1	n/r		
TCDL	10.0	Rep Stress Incr	YES	WB	Horz(CT)	0.00	29	n/a		
BCLL	0.0 *	Code IRC2018/TPI2014		Matrix-S						
BCDL	10.0								Weight: 419 lb	FT = 20%

LUMBER-		BRACING-	
TOP CHORD	2x6 SP No.2	TOP CHORD	Structural wood sheathing directly applied or 6-0-0 oc purlins, except end verticals, and 2-0-0 oc purlins (6-0-0 max.): 14-17.
BOT CHORD	2x6 SP No.2	BOT CHORD	Rigid ceiling directly applied or 10-0-0 oc bracing.
WEBS	2x4 SP No.3	WEBS	1 Row at midpt 17-40, 16-41, 15-42, 14-43, 13-44, 12-46, 18-39, 19-37
OTHERS	2x4 SP No.3		
SLIDER	Left 2x4 SP No.3 1-6-5		

REACTIONS. All bearings 45-0-8.
 (lb) - Max Horz 2=213(LC 15)
 Max Uplift All uplift 100 lb or less at joint(s) 29, 2, 41, 42, 44, 46, 47, 48, 49, 50, 51, 52, 53, 39, 37, 36, 35, 34, 33, 32, 31, 30
 Max Grav All reactions 250 lb or less at joint(s) 29, 2, 40, 41, 42, 43, 44, 46, 47, 48, 49, 50, 51, 52, 53, 39, 37, 36, 35, 34, 33, 32, 31, 30

FORCES. (lb) - Max. Comp./Max. Ten. - All forces 250 (lb) or less except when shown.
 TOP CHORD 12-13=-118/281, 13-14=-132/320, 14-15=-118/307, 15-16=-118/307, 16-17=-118/307, 17-18=-132/320, 18-19=-118/281

- NOTES-**
- Unbalanced roof live loads have been considered for this design.
 - Wind: ASCE 7-16; Vult=130mph (3-second gust) Vasd=103mph; TC DL=6.0psf; BCDL=6.0psf; h=25ft; B=45ft; L=45ft; eave=2ft; Cat. II; Exp B; Enclosed; MWFRS (directional) and C-C Corner(3E) -0-11-0 to 3-8-0, Exterior(2N) 3-8-0 to 19-8-0, Corner(3R) 19-8-0 to 24-2-1, Exterior(2N) 24-2-1 to 25-8-0, Corner(3R) 25-8-0 to 30-2-1, Exterior(2N) 30-2-1 to 44-10-12 zone; cantilever left and right exposed; end vertical left and right exposed; C-C for members and forces & MWFRS for reactions shown; Lumber DOL=1.60 plate grip DOL=1.60
 - Truss designed for wind loads in the plane of the truss only. For studs exposed to wind (normal to the face), see Standard Industry Gable End Details as applicable, or consult qualified building designer as per ANSI/TPI 1.
 - TCLL: ASCE 7-16; Pr=20.0 psf (roof LL: Lum DOL=1.15 Plate DOL=1.15); Pg=15.0 psf; Pf=16.5 psf (Lum DOL=1.15 Plate DOL=1.15); Is=1.0; Rough Cat B; Partially Exp.; Ce=1.0; Cs=1.00; Ct=1.10, Lu=50-0-0; Min. flat roof snow load governs. Rain surcharge applied to all exposed surfaces with slopes less than 0.500/12 in accordance with IBC 1608.3.4.
 - Unbalanced snow loads have been considered for this design.
 - This truss has been designed for greater of min roof live load of 12.0 psf or 1.00 times flat roof load of 11.6 psf on overhangs non-concurrent with other live loads.
 - Provide adequate drainage to prevent water ponding.
 - All plates are 2x4 MT20 unless otherwise indicated.
 - Gable requires continuous bottom chord bearing.
 - Gable studs spaced at 2-0-0 oc.
 - This truss has been designed for a 10.0 psf bottom chord live load nonconcurrent with any other live loads.
 - * This truss has been designed for a live load of 20.0psf on the bottom chord in all areas where a rectangle 3-6-0 tall by 2-0-0 wide will fit between the bottom chord and any other members.
 - Provide mechanical connection (by others) of truss to bearing plate capable of withstanding 100 lb uplift at joint(s) 29, 2, 41, 42, 44, 46, 47, 48, 49, 50, 51, 52, 53, 39, 37, 36, 35, 34, 33, 32, 31, 30.



May 22, 2024

WARNING - Verify design parameters and READ NOTES ON THIS AND INCLUDED MITEK REFERENCE PAGE MII-7473 rev. 1/2/2023 BEFORE USE.
 Design valid for use only with MiTek® connectors. This design is based only upon parameters shown, and is for an individual building component, not a truss system. Before use, the building designer must verify the applicability of design parameters and properly incorporate this design into the overall building design. Bracing indicated is to prevent buckling of individual truss web and/or chord members only. Additional temporary and permanent bracing is always required for stability and to prevent collapse with possible personal injury and property damage. For general guidance regarding the fabrication, storage, delivery, erection and bracing of trusses and truss systems, see **ANSI/TPH Quality Criteria and DSB-22** available from Truss Plate Institute (www.tpinst.org) and **BCSI Building Component Safety Information** available from the Structural Building Component Association (www.sbcacomponents.com)

ENGINEERING BY
TRENCO
 A MiTek Affiliate
 818 Soundside Road
 Edenton, NC 27932

Job 24-2994-A	Truss T03AGE	Truss Type PIGGYBACK BASE SUPPO	Qty 1	Ply 1	RVF-LOT #15 ROOF Job Reference (optional)	I65708183
------------------	-----------------	------------------------------------	----------	----------	--	-----------

Riverside Roof Truss, LLC, Danville, Va - 24541,

8.730 s Apr 25 2024 MiTek Industries, Inc. Mon May 20 16:21:22 2024 Page 2
ID:BxI2MwYau_NHkbraGCmHloyOvst-saEbpIfup6?U2AmrqbcCo7WfOUV2eXglZiIB?6zEYoh

NOTES-

- 14) This truss is designed in accordance with the 2018 International Residential Code sections R502.11.1 and R802.10.2 and referenced standard ANSI/TPI 1.
- 15) Graphical purlin representation does not depict the size or the orientation of the purlin along the top and/or bottom chord.

WARNING - Verify design parameters and READ NOTES ON THIS AND INCLUDED MITEK REFERENCE PAGE MII-7473 rev. 1/2/2023 BEFORE USE.

Design valid for use only with MiTek® connectors. This design is based only upon parameters shown, and is for an individual building component, not a truss system. Before use, the building designer must verify the applicability of design parameters and properly incorporate this design into the overall building design. Bracing indicated is to prevent buckling of individual truss web and/or chord members only. Additional temporary and permanent bracing is always required for stability and to prevent collapse with possible personal injury and property damage. For general guidance regarding the fabrication, storage, delivery, erection and bracing of trusses and truss systems, see **ANSI/TPI1 Quality Criteria and DSB-22** available from Truss Plate Institute (www.tpinst.org) and **BCSI Building Component Safety Information** available from the Structural Building Component Association (www.sbcacomponents.com)



818 Soundside Road
Edenton, NC 27932

Job	Truss	Truss Type	Qty	Ply	RVF-LOT #15 ROOF	165708184
24-2994-A	T03GE	PIGGYBACK BASE SUPPO	1	1		

Riverside Roof Truss, LLC, Danville, Va - 24541,

8.730 s Apr 25 2024 MiTek Industries, Inc. Mon May 20 16:21:23 2024 Page 1

ID:Bxl2MwYau_NHkbraGcmHloyOvst-Kmoz1efWaQ7LfKQ_OY6RKL3r9uqaN_wSoM1kXYzEYog

Job Reference (optional)
 -0-11-0 19-8-0 25-8-0 45-4-0 46-3-0
 0-11-0 19-8-0 6-0-0 19-8-0 0-11-0

Scale = 1:80.1

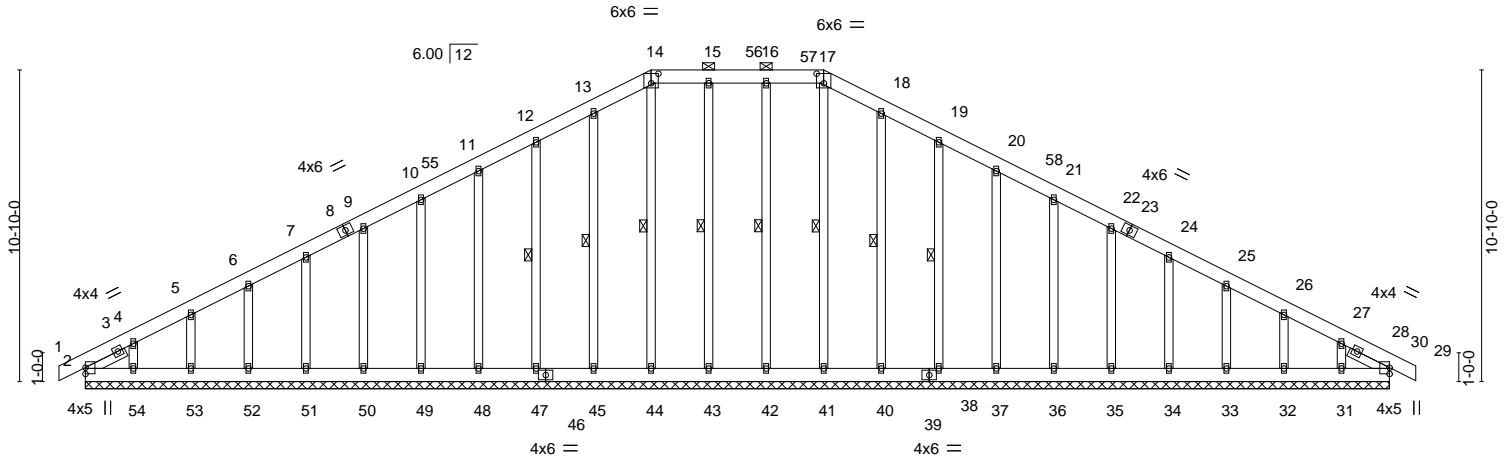


Plate Offsets (X, Y)--	[14:0-3-0,0-4-0], [17:0-3-0,0-4-0]
------------------------	------------------------------------

LOADING (psf)	SPACING-	CSI.	DEFL.	PLATES	GRIP
TCLL (roof) 20.0	2-0-0	TC 0.05	in (loc) l/defl L/d	MT20	244/190
Snow (Pf/Pg) 16.5/15.0	Plate Grip DOL 1.15	BC 0.02	Vert(LL) -0.00 29 n/r 120		
TCDL 10.0	Lumber DOL 1.15	WB 0.15	Vert(CT) -0.00 29 n/r 120		
BCLL 0.0 *	Rep Stress Incr YES	Matrix-S	Horz(CT) 0.01 29 n/a n/a		
BCDL 10.0	Code IRC2018/TPI2014			Weight: 424 lb	FT = 20%

LUMBER-	BRACING-
TOP CHORD 2x6 SP No.2	TOP CHORD Structural wood sheathing directly applied or 6-0-0 oc purlins, except 2-0-0 oc purlins (6-0-0 max.): 14-17.
BOT CHORD 2x6 SP No.2	BOT CHORD Rigid ceiling directly applied or 10-0-0 oc bracing.
OTHERS 2x4 SP No.3	WEBS 1 Row at midpt 17-41, 16-42, 15-43, 14-44, 13-45, 12-47, 18-40, 19-38
SLIDER Left 2x4 SP No.3 1-6-5, Right 2x4 SP No.3 1-6-5	

REACTIONS. All bearings 45-4-0.
 (lb) - Max Horz 2=202(LC 15)
 Max Uplift All uplift 100 lb or less at joint(s) 2, 42, 45, 47, 48, 49, 50, 51, 52, 53, 54, 40, 38, 37, 36, 35, 34, 33, 32, 31
 Max Grav All reactions 250 lb or less at joint(s) 2, 41, 42, 43, 44, 45, 47, 48, 49, 50, 51, 52, 53, 54, 40, 38, 37, 36, 35, 34, 33, 32, 31, 29

FORCES. (lb) - Max. Comp./Max. Ten. - All forces 250 (lb) or less except when shown.
 TOP CHORD 12-13=-109/266, 13-14=-125/305, 14-15=-117/293, 15-16=-117/293, 16-17=-117/293, 17-18=-125/305, 18-19=-109/266

- NOTES-**
- Unbalanced roof live loads have been considered for this design.
 - Wind: ASCE 7-16; Vult=130mph (3-second gust) Vasd=103mph; TCCL=6.0psf; BCDL=6.0psf; h=25ft; B=45ft; L=45ft; eave=2ft; Cat. II; Exp B; Enclosed; MWFRS (directional) and C-C Corner(3E) -0-11-0 to 3-8-0, Exterior(2N) 3-8-0 to 19-8-0, Corner(3R) 19-8-0 to 24-2-6, Exterior(2N) 24-2-6 to 25-8-0, Corner(3R) 25-8-0 to 30-2-6, Exterior(2N) 30-2-6 to 46-3-0 zone; cantilever left and right exposed ; end vertical left and right exposed;C-C for members and forces & MWFRS for reactions shown; Lumber DOL=1.60 plate grip DOL=1.60
 - Truss designed for wind loads in the plane of the truss only. For studs exposed to wind (normal to the face), see Standard Industry Gable End Details as applicable, or consult qualified building designer as per ANSI/TPI 1.
 - TCLL: ASCE 7-16; Pr=20.0 psf (roof LL: Lum DOL=1.15 Plate DOL=1.15); Pg=15.0 psf; Pf=16.5 psf (Lum DOL=1.15 Plate DOL=1.15); Is=1.0; Rough Cat B; Partially Exp.; Ce=1.0; Cs=1.00; Ct=1.10, Lu=50-0-0; Min. flat roof snow load governs. Rain surcharge applied to all exposed surfaces with slopes less than 0.500/12 in accordance with IBC 1608.3.4.
 - Unbalanced snow loads have been considered for this design.
 - This truss has been designed for greater of min roof live load of 12.0 psf or 1.00 times flat roof load of 11.6 psf on overhangs non-concurrent with other live loads.
 - Provide adequate drainage to prevent water ponding.
 - All plates are 2x4 MT20 unless otherwise indicated.
 - Gable requires continuous bottom chord bearing.
 - Gable studs spaced at 2-0-0 oc.
 - This truss has been designed for a 10.0 psf bottom chord live load nonconcurrent with any other live loads.
 - * This truss has been designed for a live load of 20.0psf on the bottom chord in all areas where a rectangle 3-6-0 tall by 2-0-0 wide will fit between the bottom chord and any other members.
 - Provide mechanical connection (by others) of truss to bearing plate capable of withstanding 100 lb uplift at joint(s) 2, 42, 45, 47, 48, 49, 50, 51, 52, 53, 54, 40, 38, 37, 36, 35, 34, 33, 32, 31.



May 22, 2024

Continued on page 2

WARNING - Verify design parameters and READ NOTES ON THIS AND INCLUDED MITEK REFERENCE PAGE MII-7473 rev. 1/2/2023 BEFORE USE.
 Design valid for use only with MiTek® connectors. This design is based only upon parameters shown, and is for an individual building component, not a truss system. Before use, the building designer must verify the applicability of design parameters and properly incorporate this design into the overall building design. Bracing indicated is to prevent buckling of individual truss web and/or chord members only. Additional temporary and permanent bracing is always required for stability and to prevent collapse with possible personal injury and property damage. For general guidance regarding the fabrication, storage, delivery, erection and bracing of trusses and truss systems, see **ANSI/TP1 Quality Criteria and DSB-22** available from Truss Plate Institute (www.tpinst.org) and **BCSI Building Component Safety Information** available from the Structural Building Component Association (www.sbcacomponents.com)

ENGINEERING BY
TRENCO
 A MiTek Affiliate

818 Soundside Road
 Edenton, NC 27932

Job 24-2994-A	Truss T03GE	Truss Type PIGGYBACK BASE SUPPO	Qty 1	Ply 1	RVF-LOT #15 ROOF Job Reference (optional)	I65708184
------------------	----------------	------------------------------------	----------	----------	--	-----------

Riverside Roof Truss, LLC, Danville, Va - 24541,

8.730 s Apr 25 2024 MiTek Industries, Inc. Mon May 20 16:21:24 2024 Page 2
ID:Bxl2MwYau_NHkbraGCmHloyOvst-ozMLEzg8LkGCHU?AyFdgYc0vHAp6QAb10nH3?zEYof

NOTES-

- 14) This truss is designed in accordance with the 2018 International Residential Code sections R502.11.1 and R802.10.2 and referenced standard ANSI/TPI 1.
- 15) Graphical purlin representation does not depict the size or the orientation of the purlin along the top and/or bottom chord.

WARNING - Verify design parameters and READ NOTES ON THIS AND INCLUDED MITEK REFERENCE PAGE MII-7473 rev. 1/2/2023 BEFORE USE.

Design valid for use only with MiTek® connectors. This design is based only upon parameters shown, and is for an individual building component, not a truss system. Before use, the building designer must verify the applicability of design parameters and properly incorporate this design into the overall building design. Bracing indicated is to prevent buckling of individual truss web and/or chord members only. Additional temporary and permanent bracing is always required for stability and to prevent collapse with possible personal injury and property damage. For general guidance regarding the fabrication, storage, delivery, erection and bracing of trusses and truss systems, see **ANSI/TPI1 Quality Criteria and DSB-22** available from Truss Plate Institute (www.tpinst.org) and **BCSI Building Component Safety Information** available from the Structural Building Component Association (www.sbcacomponents.com)



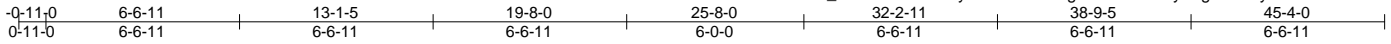
818 Soundside Road
Edenton, NC 27932

Job 24-2994-A	Truss T04	Truss Type PIGGYBACK BASE	Qty 1	Ply 1	RVF-LOT #15 ROOF Job Reference (optional)	165708185
------------------	--------------	------------------------------	----------	----------	--	-----------

Riverside Roof Truss, LLC, Danville, Va - 24541,

8.730 s Apr 25 2024 MiTek Industries, Inc. Mon May 20 16:21:24 2024 Page 1

ID:Bxl2MwYau_NHkbraGcmHloyOvst-ozMLEzg8LkGCHU?AyFdgtYctzHy56MNb10nH3?zEYof



Scale = 1:78.0

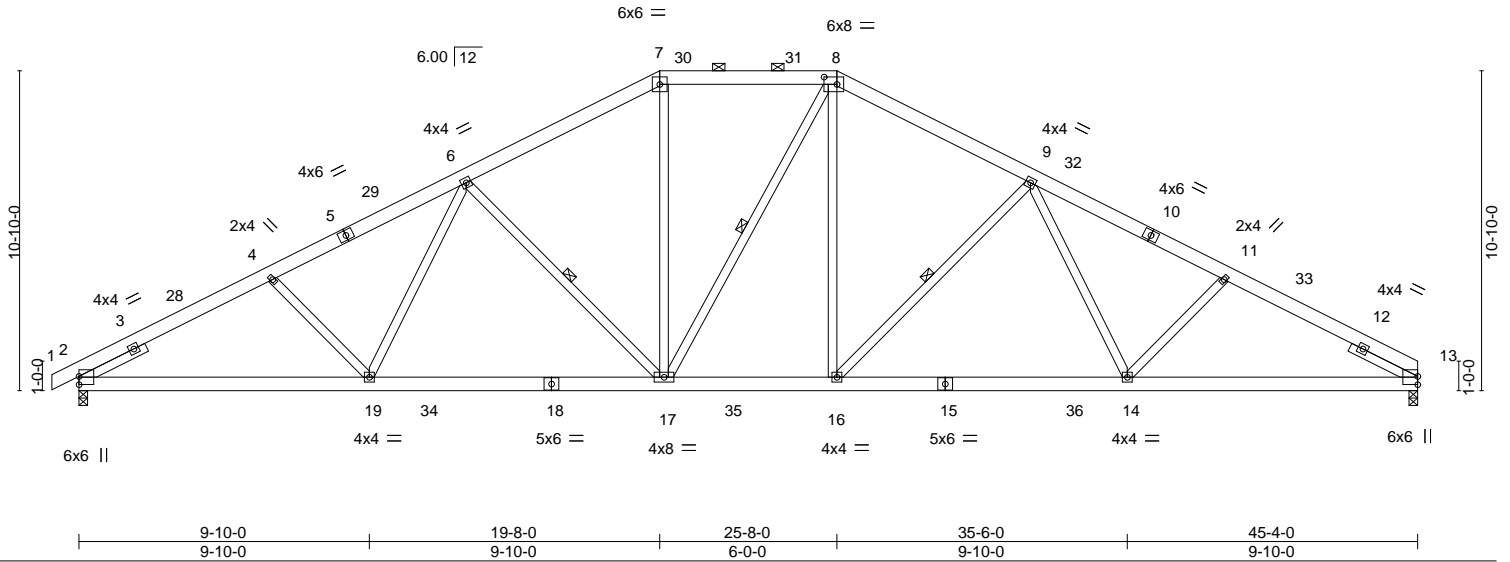


Plate Offsets (X,Y)-- [8:0-5-4,0-3-0]

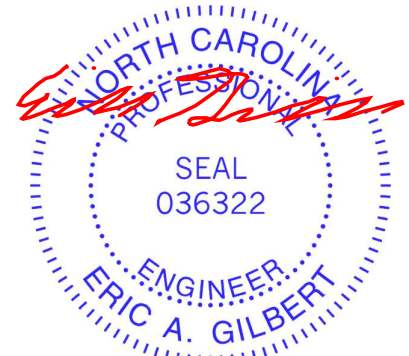
LOADING (psf)	SPACING-	CSI.	DEFL.	PLATES	GRIP
TCLL (roof) 20.0	2-0-0	TC 0.62	in (loc) l/defl L/d	MT20	244/190
Snow (Pf/Pg) 16.5/15.0	Plate Grip DOL 1.15	BC 0.90	Vert(LL) -0.26 14-16 >999 240		
TCDL 10.0	Lumber DOL 1.15	WB 0.39	Vert(CT) -0.46 14-16 >999 180		
BCLL 0.0 *	Rep Stress Incr YES	Matrix-MS	Horz(CT) 0.13 13 n/a n/a		
BCDL 10.0	Code IRC2018/TPI2014			Weight: 343 lb	FT = 20%

LUMBER-	BRACING-
TOP CHORD 2x6 SP No.2	TOP CHORD Structural wood sheathing directly applied or 3-0-3 oc purlins, except 2-0-0 oc purlins (4-8-12 max.): 7-8.
BOT CHORD 2x6 SP No.2	BOT CHORD Rigid ceiling directly applied or 10-0-0 oc bracing.
WEBS 2x4 SP No.3	WEBS 1 Row at midpt 6-17, 8-17, 9-16
SLIDER Left 2x4 SP No.3 2-6-0, Right 2x4 SP No.3 2-6-0	

REACTIONS. (size) 2=0-3-8, 13=0-3-8
 Max Horz 2=200(LC 15)
 Max Uplift 2=-139(LC 16), 13=-110(LC 16)
 Max Grav 2=2133(LC 28), 13=2086(LC 29)

FORCES. (lb) - Max. Comp./Max. Ten. - All forces 250 (lb) or less except when shown.
 TOP CHORD 2-4=-3509/314, 4-6=-3351/316, 6-7=-2597/343, 7-8=-2267/343, 8-9=-2600/342, 9-11=-3361/322, 11-13=-3520/324
 BOT CHORD 2-19=-216/3177, 17-19=-157/2876, 16-17=-39/2293, 14-16=-150/2737, 13-14=-211/3042
 WEBS 6-19=0/503, 6-17=-827/162, 7-17=-31/882, 8-16=-28/941, 9-16=-833/162, 9-14=0/509

- NOTES-**
- 1) Unbalanced roof live loads have been considered for this design.
 - 2) Wind: ASCE 7-16; Vult=130mph (3-second gust) Vasd=103mph; TCDL=6.0psf; BCDL=6.0psf; h=25ft; B=45ft; L=45ft; eave=6ft; Cat. II; Exp B; Enclosed; MWFRS (directional) and C-C Exterior(2E) -0-11-0 to 3-7-6, Interior(1) 3-7-6 to 19-8-0, Exterior(2E) 19-8-0 to 25-8-0, Exterior(2R) 25-8-0 to 32-2-11, Interior(1) 32-2-11 to 45-4-0 zone; cantilever left and right exposed; end vertical left and right exposed; C-C for members and forces & MWFRS for reactions shown; Lumber DOL=1.60 plate grip DOL=1.60
 - 3) TCLL: ASCE 7-16; Pr=20.0 psf (roof LL: Lum DOL=1.15 Plate DOL=1.15); Pg=15.0 psf; Pf=16.5 psf (Lum DOL=1.15 Plate DOL=1.15); Is=1.0; Rough Cat B; Partially Exp.; Ce=1.0; Cs=1.00; Ct=1.10, Lu=50-0-0; Min. flat roof snow load governs. Rain surcharge applied to all exposed surfaces with slopes less than 0.500/12 in accordance with IBC 1608.3.4.
 - 4) Unbalanced snow loads have been considered for this design.
 - 5) This truss has been designed for greater of min roof live load of 12.0 psf or 1.00 times flat roof load of 11.6 psf on overhangs non-concurrent with other live loads.
 - 6) Provide adequate drainage to prevent water ponding.
 - 7) This truss has been designed for a 10.0 psf bottom chord live load nonconcurrent with any other live loads.
 - 8) * This truss has been designed for a live load of 20.0psf on the bottom chord in all areas where a rectangle 3-6-0 tall by 2-0-0 wide will fit between the bottom chord and any other members, with BCDL = 10.0psf.
 - 9) Provide mechanical connection (by others) of truss to bearing plate capable of withstanding 100 lb uplift at joint(s) except (jt=lb) 2=139, 13=110.
 - 10) This truss is designed in accordance with the 2018 International Residential Code sections R502.11.1 and R802.10.2 and referenced standard ANSI/TPI 1.
 - 11) Graphical purlin representation does not depict the size or the orientation of the purlin along the top and/or bottom chord.



May 22, 2024

WARNING - Verify design parameters and READ NOTES ON THIS AND INCLUDED MITEK REFERENCE PAGE MII-7473 rev. 1/2/2023 BEFORE USE.

Design valid for use only with MiTek® connectors. This design is based only upon parameters shown, and is for an individual building component, not a truss system. Before use, the building designer must verify the applicability of design parameters and properly incorporate this design into the overall building design. Bracing indicated is to prevent buckling of individual truss web and/or chord members only. Additional temporary and permanent bracing is always required for stability and to prevent collapse with possible personal injury and property damage. For general guidance regarding the fabrication, storage, delivery, erection and bracing of trusses and truss systems, see **ANSI/TPI1 Quality Criteria and DSB-22** available from Truss Plate Institute (www.tpinst.org) and **BCSI Building Component Safety Information** available from the Structural Building Component Association (www.sbcacomponents.com)



818 Soundside Road
 Edenton, NC 27932

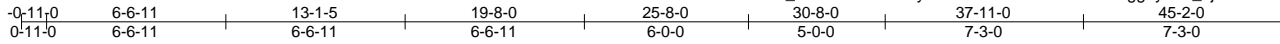
Job	Truss	Truss Type	Qty	Ply	RVF-LOT #15 ROOF	165708186
24-2994-A	T04A	Piggyback Base	8	1		

Riverside Roof Truss, LLC, Danville, Va - 24541,

8.730 s Apr 25 2024 MiTek Industries, Inc. Mon May 20 16:21:26 2024 Page 1

ID:Bxl2MwYau_NHkbraGcmHloyOvst-kLU6ffiOtlWwWn9Y4gg8yzhB_sjWad2uUKGO8tzEYod

Job Reference (optional)



Scale = 1:84.3

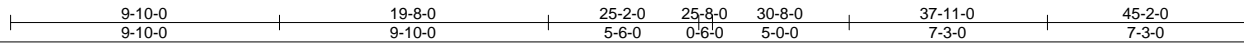
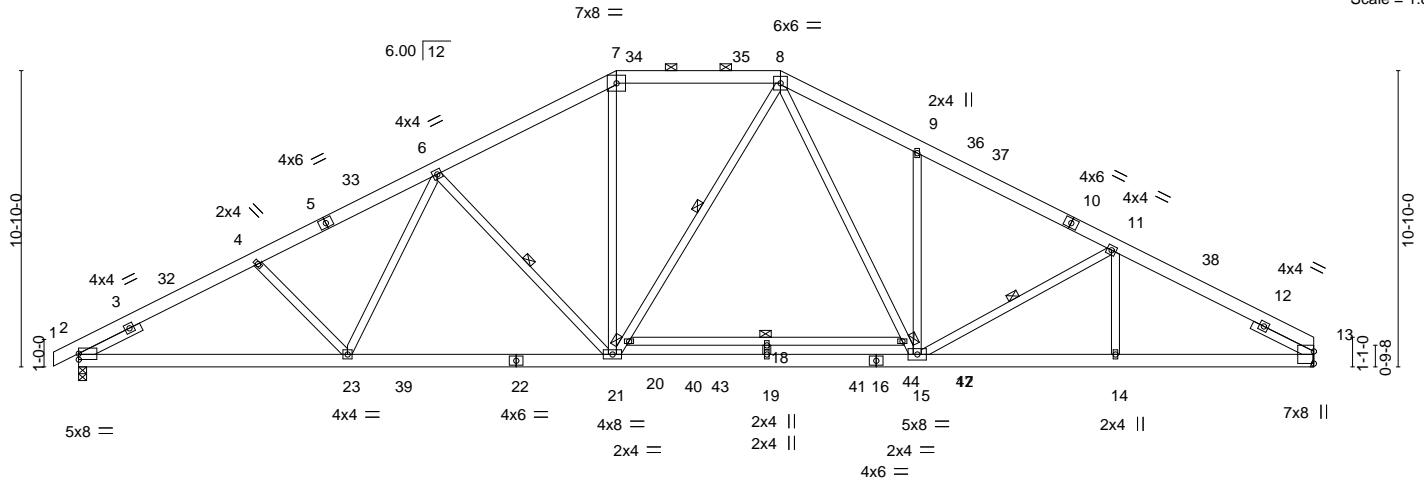


Plate Offsets (X,Y)-- [2:0-0-0,0-2-10]

LOADING (psf)	SPACING-	CSI.	DEFL.	PLATES	GRIP
TCLL (roof) 20.0	2-0-0	TC 0.72	in (loc) l/defl L/d	MT20	244/190
Snow (Pf/Pg) 16.5/15.0	Plate Grip DOL 1.15	BC 0.58	Vert(LL) -0.33 18 >999 240		
TCDL 10.0	Lumber DOL 1.15	WB 0.64	Vert(CT) -0.58 18-20 >939 180		
BCLL 0.0 *	Rep Stress Incr YES	Matrix-MS	Horz(CT) 0.11 13 n/a n/a		
BCDL 10.0	Code IRC2018/TPI2014			Weight: 357 lb	FT = 20%

LUMBER-	BRACING-
TOP CHORD 2x6 SP No.2	TOP CHORD Structural wood sheathing directly applied or 2-7-0 oc purlins, except
BOT CHORD 2x6 SP 2400F 2.0E *Except* 17-20: 2x4 SP No.2	2-0-0 oc purlins (4-4-2 max.): 7-8.
WEBS 2x4 SP No.3	BOT CHORD Rigid ceiling directly applied or 10-0-0 oc bracing. Except:
SLIDER Left 2x4 SP No.3 2-6-0, Right 2x4 SP No.3 2-6-0	6-0-0 oc bracing: 17-20
	WEBS 1 Row at midpt 6-21, 8-20, 11-15

REACTIONS. (size) 2=0-3-8, 13=Mechanical
 Max Horz 2=199(LC 15)
 Max Uplift 2=83(LC 16), 13=40(LC 16)
 Max Grav 2=2321(LC 28), 13=2308(LC 29)

FORCES. (lb) - Max. Comp./Max. Ten. - All forces 250 (lb) or less except when shown.
 TOP CHORD 2-4=-3853/212, 4-6=-3694/213, 6-7=-3069/215, 7-8=-2660/230, 8-9=-3659/274,
 9-11=-3592/165, 11-13=-3821/180
 BOT CHORD 2-23=-129/3485, 21-23=-54/3230, 19-21=0/2597, 15-19=0/2597, 14-15=-80/3313,
 13-14=-80/3313
 WEBS 6-23=0/390, 6-21=-748/178, 7-21=0/1086, 8-20=-123/319, 8-17=-59/1484,
 15-17=-93/1398, 9-15=-556/185, 11-15=-298/141, 18-19=-303/0

- NOTES-**
- 1) Unbalanced roof live loads have been considered for this design.
 - 2) Wind: ASCE 7-16; Vult=130mph (3-second gust) Vasd=103mph; TCCL=6.0psf; BCDL=6.0psf; h=25ft; B=45ft; L=45ft; eave=6ft; Cat. II; Exp B; Enclosed; MWFRS (directional) and C-C Exterior(2E) -0-11-0 to 3-7-3, Interior(1) 3-7-3 to 19-8-0, Exterior(2E) 19-8-0 to 25-8-0, Exterior(2R) 25-8-0 to 32-0-10, Interior(1) 32-0-10 to 45-2-0 zone; cantilever left and right exposed ; end vertical left and right exposed;C-C for members and forces & MWFRS for reactions shown; Lumber DOL=1.60 plate grip DOL=1.60
 - 3) TCLL: ASCE 7-16; Pr=20.0 psf (roof LL: Lum DOL=1.15 Plate DOL=1.15); Pg=15.0 psf; Pf=16.5 psf (Lum DOL=1.15 Plate DOL=1.15); Is=1.0; Rough Cat B; Partially Exp.; Ce=1.0; Cs=1.00; Ct=1.10, Lu=50-0-0; Min. flat roof snow load governs. Rain surcharge applied to all exposed surfaces with slopes less than 0.500/12 in accordance with IBC 1608.3.4.
 - 4) Unbalanced snow loads have been considered for this design.
 - 5) This truss has been designed for greater of min roof live load of 12.0 psf or 1.00 times flat roof load of 11.6 psf on overhangs non-concurrent with other live loads.
 - 6) Provide adequate drainage to prevent water ponding.
 - 7) This truss has been designed for a 10.0 psf bottom chord live load nonconcurrent with any other live loads.
 - 8) * This truss has been designed for a live load of 20.0psf on the bottom chord in all areas where a rectangle 3-6-0 tall by 2-0-0 wide will fit between the bottom chord and any other members, with BCDL = 10.0psf.
 - 9) Refer to girder(s) for truss to truss connections.
 - 10) Provide mechanical connection (by others) of truss to bearing plate capable of withstanding 100 lb uplift at joint(s) 2, 13.
 - 11) This truss is designed in accordance with the 2018 International Residential Code sections R502.11.1 and R802.10.2 and referenced standard ANSI/TPI 1.
 - 12) Graphical purlin representation does not depict the size or the orientation of the purlin along the top and/or bottom chord.



May 22, 2024

WARNING - Verify design parameters and READ NOTES ON THIS AND INCLUDED MITEK REFERENCE PAGE MII-7473 rev. 1/2/2023 BEFORE USE.
 Design valid for use only with MiTek® connectors. This design is based only upon parameters shown, and is for an individual building component, not a truss system. Before use, the building designer must verify the applicability of design parameters and properly incorporate this design into the overall building design. Bracing indicated is to prevent buckling of individual truss web and/or chord members only. Additional temporary and permanent bracing is always required for stability and to prevent collapse with possible personal injury and property damage. For general guidance regarding the fabrication, storage, delivery, erection and bracing of trusses and truss systems, see **ANSI/TPI1 Quality Criteria and DSB-22** available from Truss Plate Institute (www.tpinst.org) and **BCSI Building Component Safety Information** available from the Structural Building Component Association (www.sbcacomponents.com)

ENGINEERING BY TRENCO
 A MiTek Affiliate
 818 Soundside Road
 Edenton, NC 27932

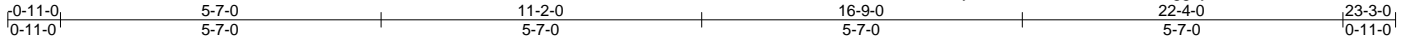
Job 24-2994-A	Truss T05	Truss Type COMMON	Qty 5	Ply 1	RVF-LOT #15 ROOF	165708187
------------------	--------------	----------------------	----------	----------	------------------	-----------

Riverside Roof Truss, LLC, Danville, Va - 24541,

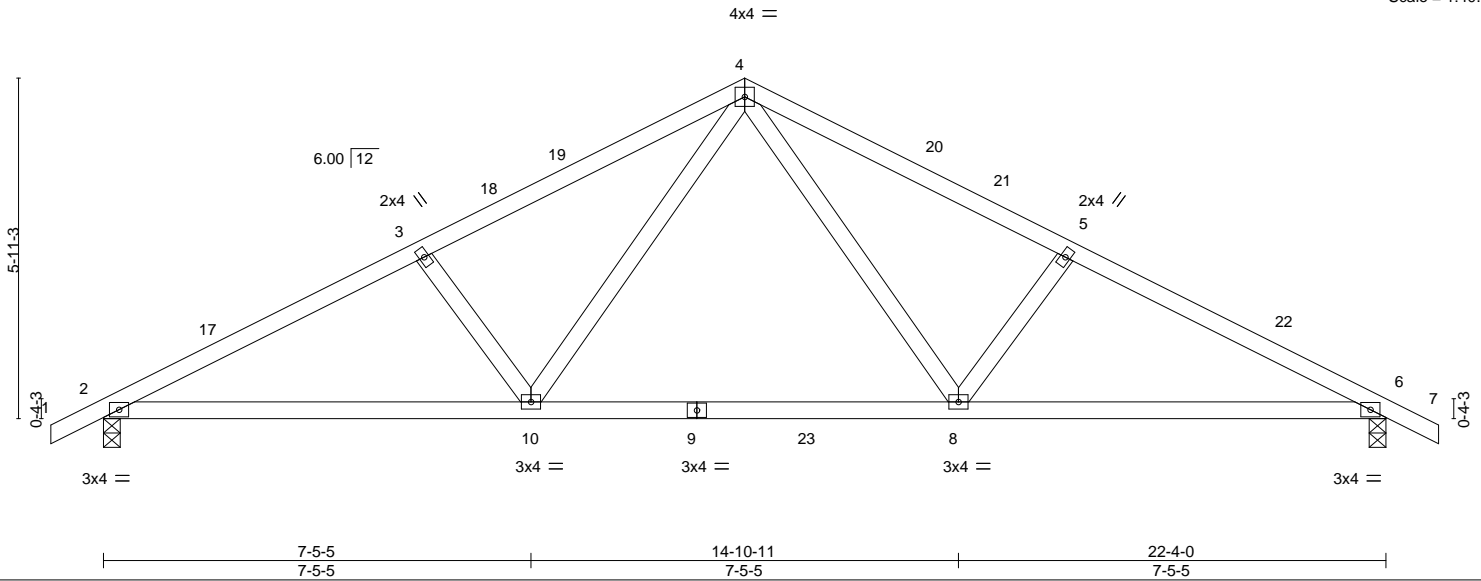
8.730 s Apr 25 2024 MiTek Industries, Inc. Mon May 20 16:21:26 2024 Page 1

ID:BxI2MwYau_NHkbraGCmHloyOvst-kLU6ffiOtLWwWn9Y4gg8yzhGi5h9alruUKGO8tzEYod

Job Reference (optional)



Scale = 1:40.1



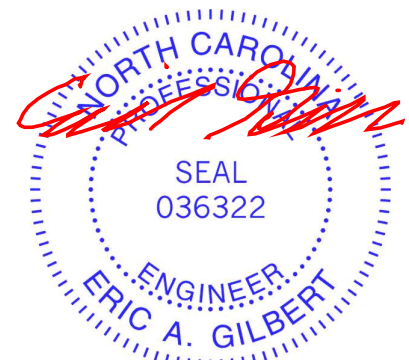
LOADING (psf)	SPACING-	CSI.	DEFL.	PLATES	GRIP
TCLL (roof) 20.0	2-0-0	TC 0.41	in (loc) l/defl L/d	MT20	244/190
Snow (Pf/Pg) 11.6/15.0	Plate Grip DOL 1.15	BC 0.74	Vert(LL) -0.11 8-10 >999 240		
TCDL 10.0	Lumber DOL 1.15	WB 0.27	Vert(CT) -0.20 8-10 >999 180		
BCLL 0.0 *	Rep Stress Incr YES	Matrix-MS	Horz(CT) 0.04 6 n/a n/a		
BCDL 10.0	Code IRC2018/TPI2014			Weight: 102 lb	FT = 20%

LUMBER-	BRACING-
TOP CHORD 2x4 SP No.2	TOP CHORD Structural wood sheathing directly applied or 4-1-15 oc purlins.
BOT CHORD 2x4 SP No.2	BOT CHORD Rigid ceiling directly applied or 10-0-0 oc bracing.
WEBS 2x4 SP No.3	

REACTIONS. (size) 2=0-3-8, 6=0-3-8
 Max Horz 2=100(LC 14)
 Max Uplift 2=83(LC 16), 6=83(LC 16)
 Max Grav 2=1025(LC 28), 6=1025(LC 29)

FORCES. (lb) - Max. Comp./Max. Ten. - All forces 250 (lb) or less except when shown.
 TOP CHORD 2-3=-1690/242, 3-4=-1547/250, 4-5=-1548/250, 5-6=-1691/242
 BOT CHORD 2-10=-138/1553, 8-10=-22/991, 6-8=-145/1490
 WEBS 4-8=-55/676, 5-8=-348/163, 4-10=-55/674, 3-10=-348/163

- NOTES-**
- 1) Unbalanced roof live loads have been considered for this design.
 - 2) Wind: ASCE 7-16; Vult=130mph (3-second gust) Vasd=103mph; TCDL=6.0psf; BCDL=6.0psf; h=25ft; B=45ft; L=24ft; eave=4ft; Cat. II; Exp B; Enclosed; MWFRS (directional) and C-C Exterior(2E) -0-11-0 to 2-1-0, Interior(1) 2-1-0 to 11-2-0, Exterior(2R) 11-2-0 to 14-2-0, Interior(1) 14-2-0 to 23-3-0 zone; cantilever left and right exposed; end vertical left and right exposed; C-C for members and forces & MWFRS for reactions shown; Lumber DOL=1.60 plate grip DOL=1.60
 - 3) TCLL: ASCE 7-16; Pr=20.0 psf (roof LL: Lum DOL=1.15 Plate DOL=1.15); Pg=15.0 psf; Pf=11.6 psf (Lum DOL=1.15 Plate DOL=1.15); Is=1.0; Rough Cat B; Partially Exp.; Ce=1.0; Cs=1.00; Ct=1.10
 - 4) Unbalanced snow loads have been considered for this design.
 - 5) This truss has been designed for greater of min roof live load of 12.0 psf or 1.00 times flat roof load of 11.6 psf on overhangs non-concurrent with other live loads.
 - 6) This truss has been designed for a 10.0 psf bottom chord live load nonconcurrent with any other live loads.
 - 7) * This truss has been designed for a live load of 20.0psf on the bottom chord in all areas where a rectangle 3-6-0 tall by 2-0-0 wide will fit between the bottom chord and any other members, with BCDL = 10.0psf.
 - 8) Provide mechanical connection (by others) of truss to bearing plate capable of withstanding 100 lb uplift at joint(s) 2, 6.
 - 9) This truss is designed in accordance with the 2018 International Residential Code sections R502.11.1 and R802.10.2 and referenced standard ANSI/TPI 1.

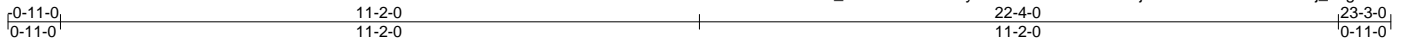


May 22, 2024

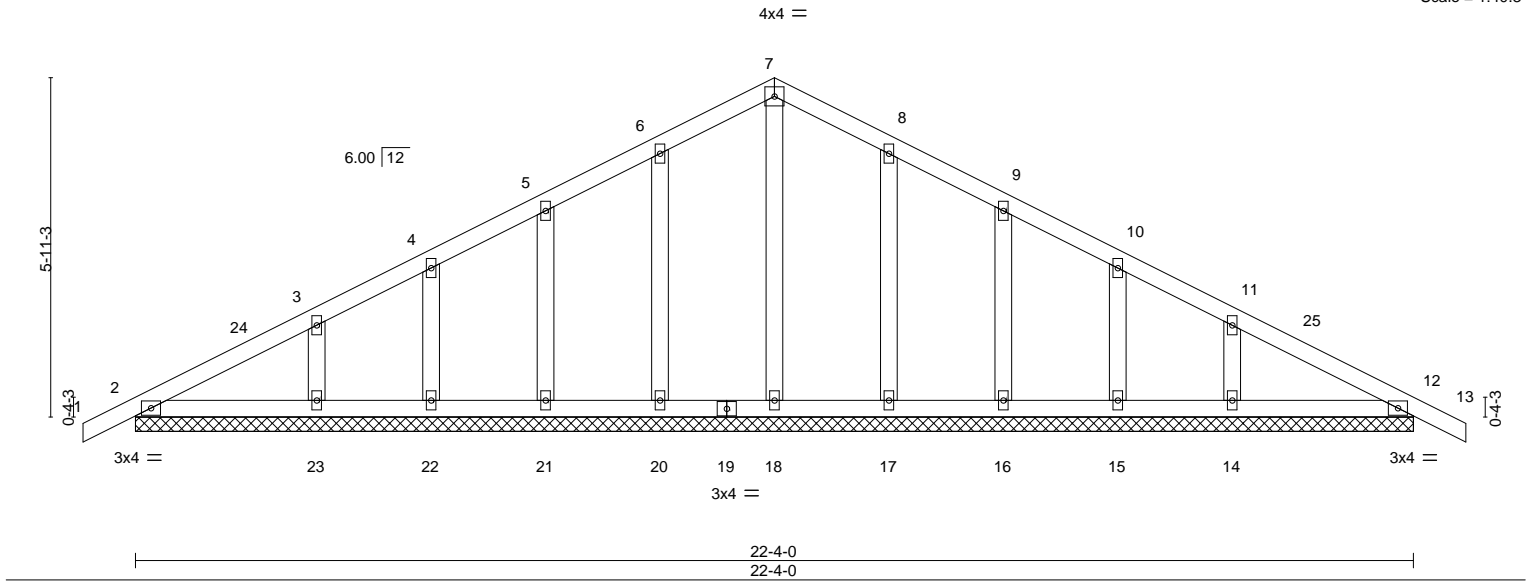
Job 24-2994-A	Truss T05GE	Truss Type COMMON SUPPORTED GAB	Qty 1	Ply 1	RVF-LOT #15 ROOF Job Reference (optional)	165708188
------------------	----------------	------------------------------------	----------	----------	--	-----------

Riverside Roof Truss, LLC, Danville, Va - 24541,

8.730 s Apr 25 2024 MiTek Industries, Inc. Mon May 20 16:21:27 2024 Page 1
ID: Bxl2MwYau_NHkbraGcmHloyOvst-CX2Us?i0dfen8xjldNBNVBDVlVBoJoF1j_?xgJzEYoc



Scale = 1:40.3



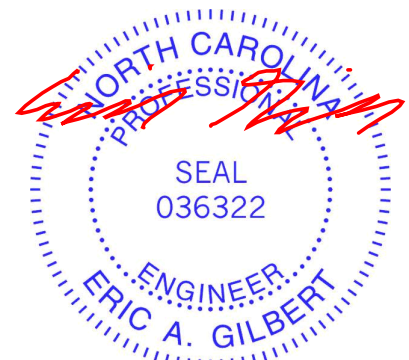
LOADING (psf)	SPACING-	CSI.	DEFL.	PLATES	GRIP
TCLL (roof) 20.0	2-0-0	TC 0.10	in (loc) l/defl L/d	MT20	244/190
Snow (Pf/Pg) 11.6/15.0	Plate Grip DOL 1.15	BC 0.07	Vert(LL) 0.00 13 n/r 120		
TCDL 10.0	Lumber DOL 1.15	WB 0.06	Vert(CT) 0.00 13 n/r 120		
BCLL 0.0 *	Rep Stress Incr YES	Matrix-S	Horz(CT) 0.00 12 n/a n/a		
BCDL 10.0	Code IRC2018/TPI2014			Weight: 116 lb	FT = 20%

LUMBER-	BRACING-
TOP CHORD 2x4 SP No.2	TOP CHORD Structural wood sheathing directly applied or 6-0-0 oc purlins.
BOT CHORD 2x4 SP No.2	BOT CHORD Rigid ceiling directly applied or 10-0-0 oc bracing.
OTHERS 2x4 SP No.3	

REACTIONS. All bearings 22-4-0.
 (lb) - Max Horz 2=100(LC 14)
 Max Uplift All uplift 100 lb or less at joint(s) 2, 20, 21, 22, 23, 17, 16, 15, 14, 12
 Max Grav All reactions 250 lb or less at joint(s) 2, 18, 20, 21, 22, 23, 17, 16, 15, 14, 12

FORCES. (lb) - Max. Comp./Max. Ten. - All forces 250 (lb) or less except when shown.

- NOTES-**
- 1) Unbalanced roof live loads have been considered for this design.
 - 2) Wind: ASCE 7-16; Vult=130mph (3-second gust) Vasd=103mph; TCCL=6.0psf; BCDL=6.0psf; h=25ft; B=45ft; L=24ft; eave=2ft; Cat. II; Exp B; Enclosed; MWFRS (directional) and C-C Corner(3E) -0-11-0 to 2-1-0, Exterior(2N) 2-1-0 to 11-2-0, Corner(3R) 11-2-0 to 14-2-0, Exterior(2N) 14-2-0 to 23-3-0 zone; cantilever left and right exposed; end vertical left and right exposed; C-C for members and forces & MWFRS for reactions shown; Lumber DOL=1.60 plate grip DOL=1.60
 - 3) Truss designed for wind loads in the plane of the truss only. For studs exposed to wind (normal to the face), see Standard Industry Gable End Details as applicable, or consult qualified building designer as per ANSI/TPI 1.
 - 4) TCLL: ASCE 7-16; Pr=20.0 psf (roof LL: Lum DOL=1.15 Plate DOL=1.15); Pg=15.0 psf; Pf=11.6 psf (Lum DOL=1.15 Plate DOL=1.15); Is=1.0; Rough Cat B; Partially Exp.; Ce=1.0; Cs=1.00; Ct=1.10
 - 5) Unbalanced snow loads have been considered for this design.
 - 6) This truss has been designed for greater of min roof live load of 12.0 psf or 1.00 times flat roof load of 11.6 psf on overhangs non-concurrent with other live loads.
 - 7) All plates are 2x4 MT20 unless otherwise indicated.
 - 8) Gable requires continuous bottom chord bearing.
 - 9) Gable studs spaced at 2-0-0 oc.
 - 10) This truss has been designed for a 10.0 psf bottom chord live load nonconcurrent with any other live loads.
 - 11) * This truss has been designed for a live load of 20.0psf on the bottom chord in all areas where a rectangle 3-6-0 tall by 2-0-0 wide will fit between the bottom chord and any other members.
 - 12) Provide mechanical connection (by others) of truss to bearing plate capable of withstanding 100 lb uplift at joint(s) 2, 20, 21, 22, 23, 17, 16, 15, 14, 12.
 - 13) This truss is designed in accordance with the 2018 International Residential Code sections R502.11.1 and R802.10.2 and referenced standard ANSI/TPI 1.



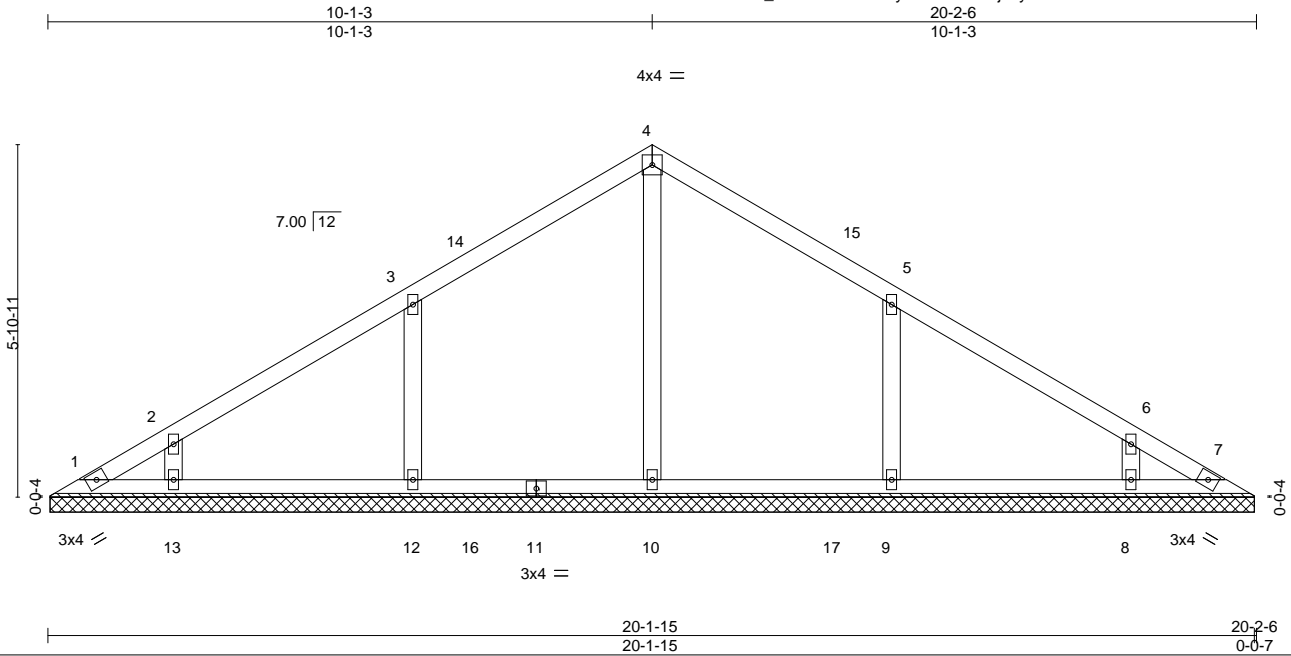
May 22, 2024

Job 24-2994-A	Truss V01	Truss Type Valley	Qty 1	Ply 1	RVF-LOT #15 ROOF	165708189
------------------	--------------	----------------------	----------	----------	------------------	-----------

Riverside Roof Truss, LLC, Danville, Va - 24541,

8.730 s Apr 25 2024 MiTek Industries, Inc. Mon May 20 16:21:28 2024 Page 1

ID:BxI2MwYau_NHkbraGCmHloyOvst-hkbs4LjfOymem5IxB5ic1OmeVvWX2FnBxelVCmzEYob



Scale = 1:38.5

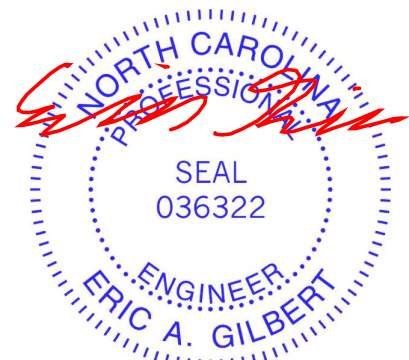
LOADING (psf)	SPACING-	CSI.	DEFL.	PLATES	GRIP
TCLL (roof) 20.0	2-0-0	TC 0.20	in (loc) l/defl L/d	MT20	244/190
Snow (Pf/Pg) 11.6/15.0	Plate Grip DOL 1.15	BC 0.17	Vert(LL) n/a - n/a 999		
TCDL 10.0	Lumber DOL 1.15	WB 0.11	Vert(CT) n/a - n/a 999		
BCLL 0.0 *	Rep Stress Incr YES	Matrix-S	Horz(CT) 0.00 7 n/a n/a		
BCDL 10.0	Code IRC2018/TPI2014			Weight: 82 lb	FT = 20%

LUMBER-	BRACING-
TOP CHORD 2x4 SP No.2	TOP CHORD Structural wood sheathing directly applied or 6-0-0 oc purlins.
BOT CHORD 2x4 SP No.2	BOT CHORD Rigid ceiling directly applied or 10-0-0 oc bracing.
OTHERS 2x4 SP No.3	

REACTIONS. All bearings 20-1-8.
 (lb) - Max Horz 1=111(LC 14)
 Max Uplift All uplift 100 lb or less at joint(s) 1, 7, 12, 13, 9, 8
 Max Grav All reactions 250 lb or less at joint(s) 1, 7 except 10=369(LC 27), 12=427(LC 27), 13=307(LC 27), 9=427(LC 28), 8=307(LC 28)

FORCES. (lb) - Max. Comp./Max. Ten. - All forces 250 (lb) or less except when shown.
 WEBS 3-12=268/127, 5-9=268/127

- NOTES-**
- 1) Unbalanced roof live loads have been considered for this design.
 - 2) Wind: ASCE 7-16; Vult=130mph (3-second gust) Vasd=103mph; TCDL=6.0psf; BCDL=6.0psf; h=25ft; B=45ft; L=24ft; eave=4ft; Cat. II; Exp B; Enclosed; MWFRS (directional) and C-C Exterior(2E) 0-6-8 to 3-6-8, Interior(1) 3-6-8 to 10-1-3, Exterior(2R) 10-1-3 to 13-1-3, Interior(1) 13-1-3 to 19-7-14 zone; cantilever left and right exposed ; end vertical left and right exposed;C-C for members and forces & MWFRS for reactions shown; Lumber DOL=1.60 plate grip DOL=1.60
 - 3) TCLL: ASCE 7-16; Pr=20.0 psf (roof LL: Lum DOL=1.15 Plate DOL=1.15); Pg=15.0 psf; Pf=11.6 psf (Lum DOL=1.15 Plate DOL=1.15); Is=1.0; Rough Cat B; Partially Exp.; Ce=1.0; Cs=1.00; Ct=1.10
 - 4) Unbalanced snow loads have been considered for this design.
 - 5) All plates are 2x4 MT20 unless otherwise indicated.
 - 6) Gable requires continuous bottom chord bearing.
 - 7) This truss has been designed for a 10.0 psf bottom chord live load nonconcurrent with any other live loads.
 - 8) * This truss has been designed for a live load of 20.0psf on the bottom chord in all areas where a rectangle 3-6-0 tall by 2-0-0 wide will fit between the bottom chord and any other members, with BCDL = 10.0psf.
 - 9) Provide mechanical connection (by others) of truss to bearing plate capable of withstanding 100 lb uplift at joint(s) 1, 7, 12, 13, 9, 8.
 - 10) This truss is designed in accordance with the 2018 International Residential Code sections R502.11.1 and R802.10.2 and referenced standard ANSI/TPI 1.



May 22, 2024

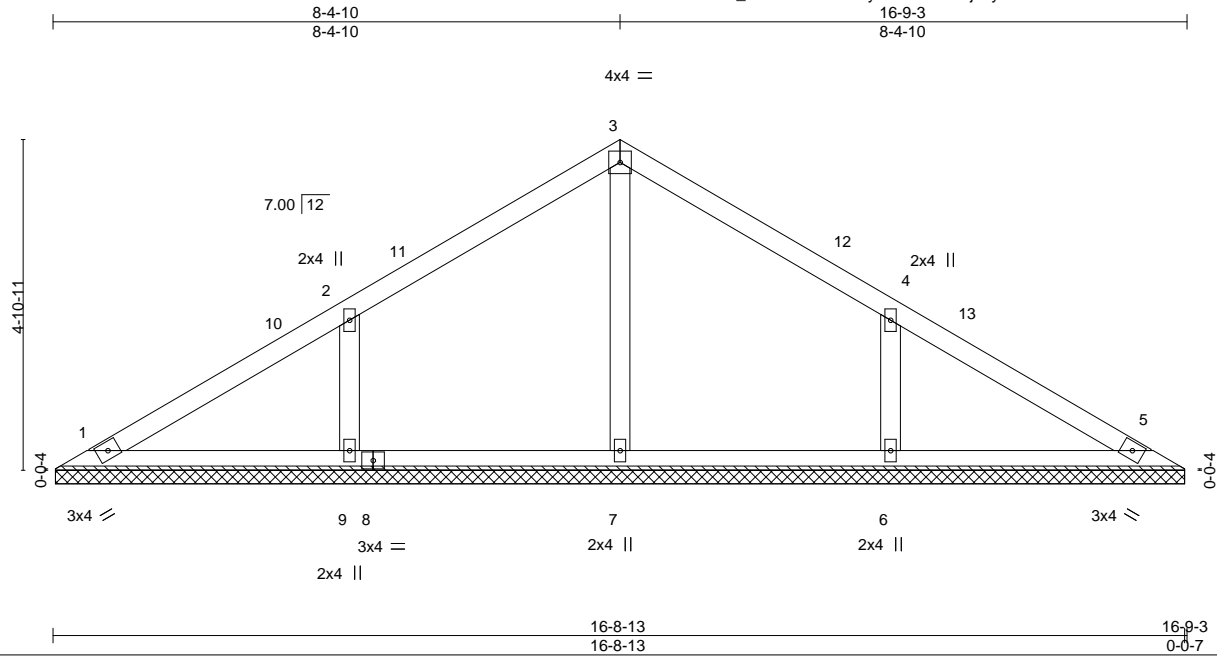
<p>WARNING - Verify design parameters and READ NOTES ON THIS AND INCLUDED MITEK REFERENCE PAGE MII-7473 rev. 1/2/2023 BEFORE USE.</p> <p>Design valid for use only with MiTek® connectors. This design is based only upon parameters shown, and is for an individual building component, not a truss system. Before use, the building designer must verify the applicability of design parameters and properly incorporate this design into the overall building design. Bracing indicated is to prevent buckling of individual truss web and/or chord members only. Additional temporary and permanent bracing is always required for stability and to prevent collapse with possible personal injury and property damage. For general guidance regarding the fabrication, storage, delivery, erection and bracing of trusses and truss systems, see ANSI/TPH Quality Criteria and DSB-22 available from Truss Plate Institute (www.tpinst.org) and BCSI Building Component Safety Information available from the Structural Building Component Association (www.sbcacomponents.com)</p>	 818 Soundside Road Edenton, NC 27932
--	---

Job	Truss	Truss Type	Qty	Ply	RVF-LOT #15 ROOF	165708190
24-2994-A	V02	Valley	1	1		

Riverside Roof Truss, LLC, Danville, Va - 24541,

8.730 s Apr 25 2024 MiTek Industries, Inc. Mon May 20 16:21:28 2024 Page 1

ID:Bxl2MwYau_NHkbraGCmHloyOvst-hkbs4LjfOymem5lxB5ic1Ome6vW62FJBxelVCmzEYob



Scale = 1:34.1

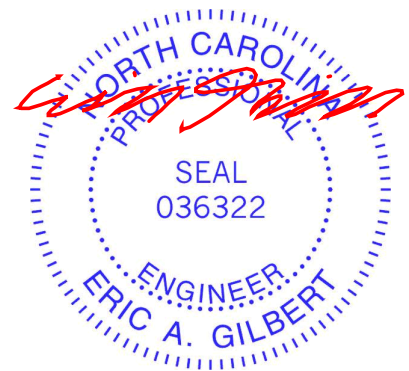
LOADING (psf)	SPACING-	CSI.	DEFL.	PLATES	GRIP
TCLL (roof) 20.0	2-0-0	TC 0.23	in (loc) l/defl L/d	MT20	244/190
Snow (Pf/Pg) 11.6/15.0	Plate Grip DOL 1.15	BC 0.13	Vert(LL) n/a - n/a 999		
TCDL 10.0	Lumber DOL 1.15	WB 0.08	Vert(CT) n/a - n/a 999		
BCLL 0.0 *	Rep Stress Incr YES	Matrix-S	Horz(CT) 0.00 5 n/a n/a		
BCDL 10.0	Code IRC2018/TPI2014			Weight: 64 lb	FT = 20%

LUMBER-	BRACING-
TOP CHORD 2x4 SP No.2	TOP CHORD Structural wood sheathing directly applied or 6-0-0 oc purlins.
BOT CHORD 2x4 SP No.2	BOT CHORD Rigid ceiling directly applied or 10-0-0 oc bracing.
OTHERS 2x4 SP No.3	

REACTIONS. All bearings 16-8-6.
 (lb) - Max Horz 1=-91(LC 14)
 Max Uplift All uplift 100 lb or less at joint(s) 9, 6
 Max Grav All reactions 250 lb or less at joint(s) 1, 5 except 7=251(LC 2), 9=373(LC 33), 6=373(LC 34)

FORCES. (lb) - Max. Comp./Max. Ten. - All forces 250 (lb) or less except when shown.
WEBS 2-9=-279/134, 4-6=-279/134

- NOTES-**
- Unbalanced roof live loads have been considered for this design.
 - Wind: ASCE 7-16; Vult=130mph (3-second gust) Vasd=103mph; TC DL=6.0psf; BCDL=6.0psf; h=25ft; B=45ft; L=24ft; eave=4ft; Cat. II; Exp B; Enclosed; MWFRS (directional) and C-C Exterior(2E) 0-6-8 to 3-6-8, Interior(1) 3-6-8 to 8-4-10, Exterior(2R) 8-4-10 to 11-4-10, Interior(1) 11-4-10 to 16-2-11 zone; cantilever left and right exposed; end vertical left and right exposed; C-C for members and forces & MWFRS for reactions shown; Lumber DOL=1.60 plate grip DOL=1.60
 - TCLL: ASCE 7-16; Pr=20.0 psf (roof LL: Lum DOL=1.15 Plate DOL=1.15); Pg=15.0 psf; Pf=11.6 psf (Lum DOL=1.15 Plate DOL=1.15); Is=1.0; Rough Cat B; Partially Exp.; Ce=1.0; Cs=1.00; Ct=1.10
 - Unbalanced snow loads have been considered for this design.
 - Gable requires continuous bottom chord bearing.
 - This truss has been designed for a 10.0 psf bottom chord live load nonconcurrent with any other live loads.
 - * This truss has been designed for a live load of 20.0psf on the bottom chord in all areas where a rectangle 3-6-0 tall by 2-0-0 wide will fit between the bottom chord and any other members.
 - Provide mechanical connection (by others) of truss to bearing plate capable of withstanding 100 lb uplift at joint(s) 9, 6.
 - This truss is designed in accordance with the 2018 International Residential Code sections R502.11.1 and R802.10.2 and referenced standard ANSI/TPI 1.

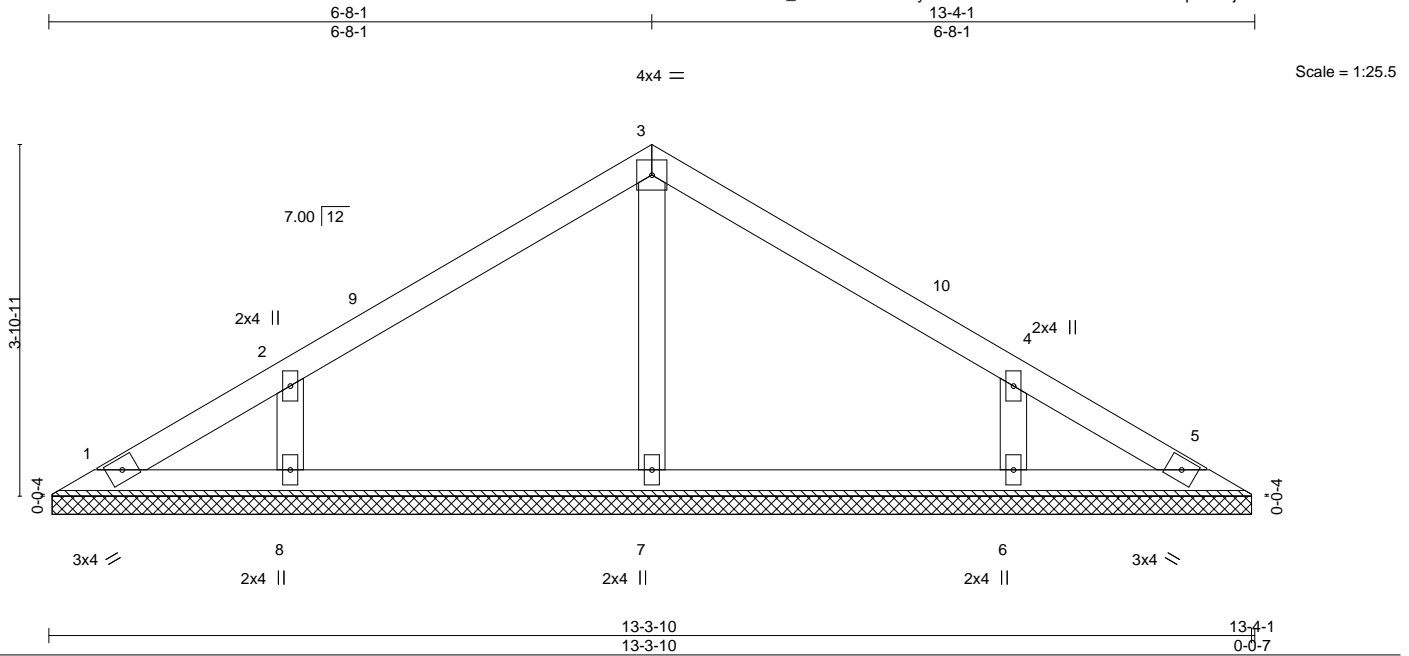


May 22, 2024

Job 24-2994-A	Truss V03	Truss Type Valley	Qty 1	Ply 1	RVF-LOT #15 ROOF	165708191
------------------	--------------	----------------------	----------	----------	------------------	-----------

Riverside Roof Truss, LLC, Danville, Va - 24541,

8.730 s Apr 25 2024 MiTek Industries, Inc. Mon May 20 16:21:29 2024 Page 1
ID:BxI2MwYau_NHkbraGCmHloyOvst-9w9EHhkH9GuVNFt7loDracJpItSnjtKAHU2ICzEYoa



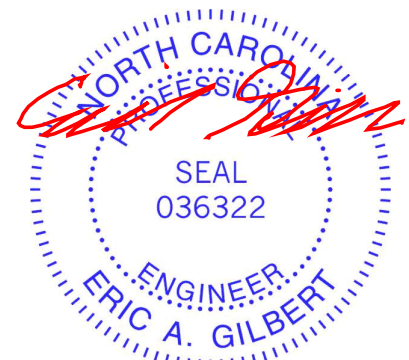
LOADING (psf)	SPACING-	CSI.	DEFL.	PLATES	GRIP
TCLL (roof) 20.0	2-0-0	TC 0.20	in (loc) l/defl L/d	MT20	244/190
Snow (Pf/Pg) 11.6/15.0	Plate Grip DOL 1.15	BC 0.12	Vert(LL) n/a - n/a 999		
TCDL 10.0	Lumber DOL 1.15	WB 0.06	Vert(CT) n/a - n/a 999		
BCLL 0.0 *	Rep Stress Incr YES	Matrix-S	Horz(CT) 0.00 5 n/a n/a		
BCDL 10.0	Code IRC2018/TPI2014			Weight: 49 lb	FT = 20%

LUMBER-	BRACING-
TOP CHORD 2x4 SP No.2	TOP CHORD Structural wood sheathing directly applied or 6-0-0 oc purlins.
BOT CHORD 2x4 SP No.2	BOT CHORD Rigid ceiling directly applied or 10-0-0 oc bracing.
OTHERS 2x4 SP No.3	

REACTIONS. All bearings 13-3-3.
 (lb) - Max Horz 1=71(LC 15)
 Max Uplift All uplift 100 lb or less at joint(s) 8, 6
 Max Grav All reactions 250 lb or less at joint(s) 1, 5 except 7=276(LC 2), 8=307(LC 20), 6=307(LC 21)

FORCES. (lb) - Max. Comp./Max. Ten. - All forces 250 (lb) or less except when shown.

- NOTES-**
- 1) Unbalanced roof live loads have been considered for this design.
 - 2) Wind: ASCE 7-16; Vult=130mph (3-second gust) Vasd=103mph; TCCL=6.0psf; BCDL=6.0psf; h=25ft; B=45ft; L=24ft; eave=4ft; Cat. II; Exp B; Enclosed; MWFRS (directional) and C-C Exterior(2E) 0-6-8 to 3-6-8, Interior(1) 3-6-8 to 6-8-1, Exterior(2R) 6-8-1 to 9-8-1, Interior(1) 9-8-1 to 12-9-9 zone; cantilever left and right exposed; end vertical left and right exposed; C-C for members and forces & MWFRS for reactions shown; Lumber DOL=1.60 plate grip DOL=1.60
 - 3) TCLL: ASCE 7-16; Pr=20.0 psf (roof LL: Lum DOL=1.15 Plate DOL=1.15); Pg=15.0 psf; Pf=11.6 psf (Lum DOL=1.15 Plate DOL=1.15); Is=1.0; Rough Cat B; Partially Exp.; Ce=1.0; Cs=1.00; Ct=1.10
 - 4) Unbalanced snow loads have been considered for this design.
 - 5) Gable requires continuous bottom chord bearing.
 - 6) This truss has been designed for a 10.0 psf bottom chord live load nonconcurrent with any other live loads.
 - 7) * This truss has been designed for a live load of 20.0psf on the bottom chord in all areas where a rectangle 3-6-0 tall by 2-0-0 wide will fit between the bottom chord and any other members.
 - 8) Provide mechanical connection (by others) of truss to bearing plate capable of withstanding 100 lb uplift at joint(s) 8, 6.
 - 9) This truss is designed in accordance with the 2018 International Residential Code sections R502.11.1 and R802.10.2 and referenced standard ANSI/TPI 1.



May 22, 2024

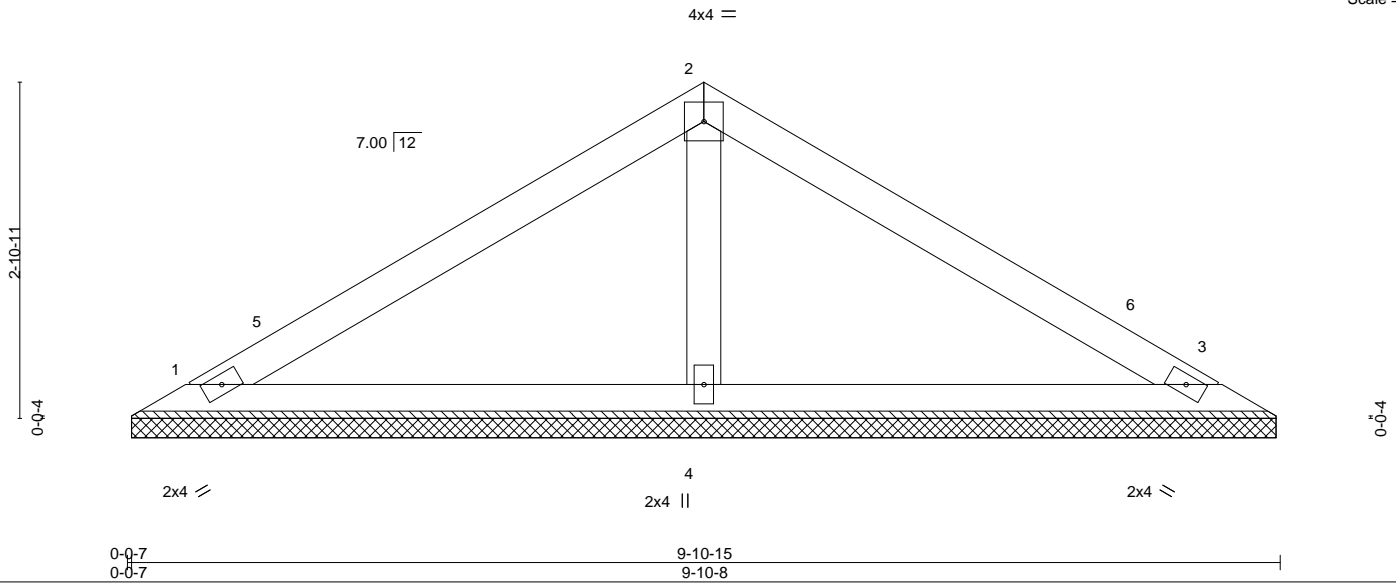
Job 24-2994-A	Truss V04	Truss Type Valley	Qty 1	Ply 1	RVF-LOT #15 ROOF Job Reference (optional)	165708192
------------------	--------------	----------------------	----------	----------	--	-----------

Riverside Roof Truss, LLC, Danville, Va - 24541,

8.730 s Apr 25 2024 MiTek Industries, Inc. Mon May 20 16:21:29 2024 Page 1
ID:Bxl2MwYau_NHkbraGCmHloyOvst-9w9EHhkH9GuVNFt7loDracJonlrJnjvKAHU2ICzEYoa



Scale = 1:19.8



LOADING (psf)	SPACING-	CSI.	DEFL.	PLATES	GRIP
TCLL (roof) 20.0	2-0-0	TC 0.30	in (loc) l/defl L/d	MT20	244/190
Snow (Pf/Pg) 11.6/15.0	Plate Grip DOL 1.15	BC 0.19	Vert(LL) n/a - n/a 999		
TCDL 10.0	Lumber DOL 1.15	WB 0.05	Vert(CT) n/a - n/a 999		
BCLL 0.0 *	Rep Stress Incr YES	Matrix-S	Horz(CT) 0.00 3 n/a n/a		
BCDL 10.0	Code IRC2018/TPI2014			Weight: 33 lb	FT = 20%

LUMBER-	BRACING-
TOP CHORD 2x4 SP No.2	TOP CHORD Structural wood sheathing directly applied or 6-0-0 oc purlins.
BOT CHORD 2x4 SP No.2	BOT CHORD Rigid ceiling directly applied or 10-0-0 oc bracing.
OTHERS 2x4 SP No.3	

REACTIONS. (size) 1=9-10-1, 3=9-10-1, 4=9-10-1
 Max Horz 1=51(LC 15)
 Max Uplift 1=-21(LC 16), 3=-21(LC 16)
 Max Grav 1=167(LC 2), 3=167(LC 2), 4=372(LC 2)

FORCES. (lb) - Max. Comp./Max. Ten. - All forces 250 (lb) or less except when shown.

NOTES-

- 1) Unbalanced roof live loads have been considered for this design.
- 2) Wind: ASCE 7-16; Vult=130mph (3-second gust) Vasd=103mph; TCCL=6.0psf; BCDL=6.0psf; h=25ft; B=45ft; L=24ft; eave=4ft; Cat. II; Exp B; Enclosed; MWFRS (directional) and C-C Exterior(2E) 0-6-8 to 3-6-8, Interior(1) 3-6-8 to 4-11-7, Exterior(2R) 4-11-7 to 7-11-7, Interior(1) 7-11-7 to 9-4-7 zone; cantilever left and right exposed; end vertical left and right exposed; C-C for members and forces & MWFRS for reactions shown; Lumber DOL=1.60 plate grip DOL=1.60
- 3) TCLL: ASCE 7-16; Pr=20.0 psf (roof LL: Lum DOL=1.15 Plate DOL=1.15); Pg=15.0 psf; Pf=11.6 psf (Lum DOL=1.15 Plate DOL=1.15); Is=1.0; Rough Cat B; Partially Exp.; Ce=1.0; Cs=1.00; Ct=1.10
- 4) Unbalanced snow loads have been considered for this design.
- 5) Gable requires continuous bottom chord bearing.
- 6) This truss has been designed for a 10.0 psf bottom chord live load nonconcurrent with any other live loads.
- 7) * This truss has been designed for a live load of 20.0psf on the bottom chord in all areas where a rectangle 3-6-0 tall by 2-0-0 wide will fit between the bottom chord and any other members.
- 8) Provide mechanical connection (by others) of truss to bearing plate capable of withstanding 100 lb uplift at joint(s) 1, 3.
- 9) This truss is designed in accordance with the 2018 International Residential Code sections R502.11.1 and R802.10.2 and referenced standard ANSI/TPI 1.



May 22, 2024

<p>WARNING - Verify design parameters and READ NOTES ON THIS AND INCLUDED MITEK REFERENCE PAGE MII-7473 rev. 1/2/2023 BEFORE USE.</p> <p>Design valid for use only with MiTek® connectors. This design is based only upon parameters shown, and is for an individual building component, not a truss system. Before use, the building designer must verify the applicability of design parameters and properly incorporate this design into the overall building design. Bracing indicated is to prevent buckling of individual truss web and/or chord members only. Additional temporary and permanent bracing is always required for stability and to prevent collapse with possible personal injury and property damage. For general guidance regarding the fabrication, storage, delivery, erection and bracing of trusses and truss systems, see ANSI/TPH Quality Criteria and DSB-22 available from Truss Plate Institute (www.tpinst.org) and BCSI Building Component Safety Information available from the Structural Building Component Association (www.sbcacomponents.com)</p>	<p>ENGINEERING BY</p> <p>TRENCO</p> <p>A MiTek Affiliate</p> <p>818 Soundside Road Edenton, NC 27932</p>
--	---

Job 24-2994-A	Truss V05	Truss Type Valley	Qty 1	Ply 1	RVF-LOT #15 ROOF Job Reference (optional)	165708193
------------------	--------------	----------------------	----------	----------	--	-----------

Riverside Roof Truss, LLC,

Danville, Va - 24541,

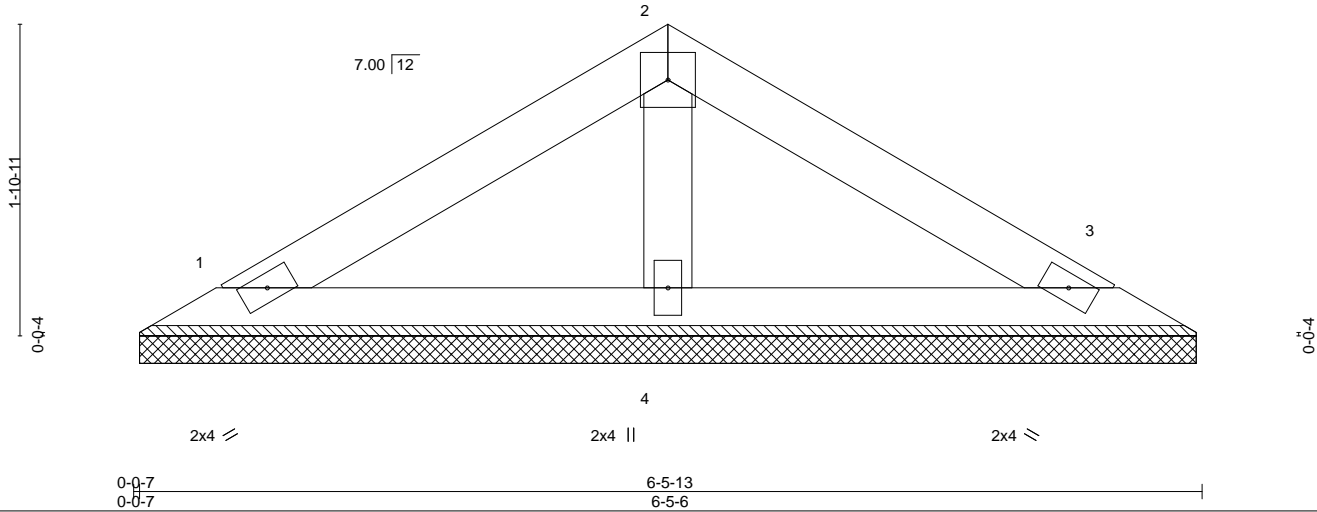
8.730 s Apr 25 2024 MiTek Industries, Inc. Mon May 20 16:21:30 2024 Page 1

ID:Bxl2MwYau_NHkbraGCmHloyOvst-d6jdV1lwaoM?PSKJWk47pr?2iCRWAZUPxEcHezEYoZ



4x4 =

Scale = 1:14.0



LOADING (psf)	SPACING-	CSI.	DEFL.	PLATES	GRIP
TCLL (roof) 20.0	2-0-0	TC 0.14	in (loc) l/defl L/d	MT20	244/190
Snow (Pf/Pg) 11.6/15.0	Plate Grip DOL 1.15	BC 0.07	Vert(LL) n/a - n/a 999		
TCDL 10.0	Lumber DOL 1.15	WB 0.03	Vert(CT) n/a - n/a 999		
BCLL 0.0 *	Rep Stress Incr YES	Matrix-P	Horz(CT) 0.00 3 n/a n/a		
BCDL 10.0	Code IRC2018/TPI2014			Weight: 21 lb	FT = 20%

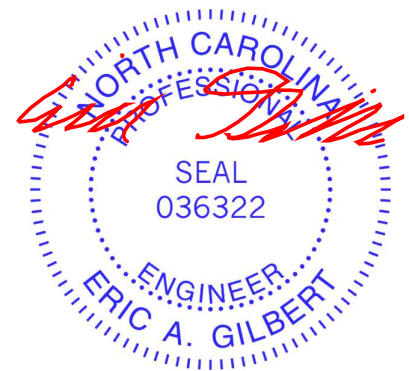
LUMBER-	BRACING-
TOP CHORD 2x4 SP No.2	TOP CHORD Structural wood sheathing directly applied or 6-0-0 oc purlins.
BOT CHORD 2x4 SP No.2	BOT CHORD Rigid ceiling directly applied or 10-0-0 oc bracing.
OTHERS 2x4 SP No.3	

REACTIONS. (size) 1=6-4-15, 3=6-4-15, 4=6-4-15
 Max Horz 1=31(LC 15)
 Max Uplift 1=-18(LC 16), 3=-18(LC 16)
 Max Grav 1=113(LC 20), 3=113(LC 21), 4=206(LC 2)

FORCES. (lb) - Max. Comp./Max. Ten. - All forces 250 (lb) or less except when shown.

NOTES-

- 1) Unbalanced roof live loads have been considered for this design.
- 2) Wind: ASCE 7-16; Vult=130mph (3-second gust) Vasd=103mph; TCCL=6.0psf; BCDL=6.0psf; h=25ft; B=45ft; L=24ft; eave=4ft; Cat. II; Exp B; Enclosed; MWFRS (directional) and C-C Exterior(2E) zone; cantilever left and right exposed ; end vertical left and right exposed;C-C for members and forces & MWFRS for reactions shown; Lumber DOL=1.60 plate grip DOL=1.60
- 3) TCLL: ASCE 7-16; Pr=20.0 psf (roof LL: Lum DOL=1.15 Plate DOL=1.15); Pg=15.0 psf; Pf=11.6 psf (Lum DOL=1.15 Plate DOL=1.15); Is=1.0; Rough Cat B; Partially Exp.; Ce=1.0; Cs=1.00; Ct=1.10
- 4) Unbalanced snow loads have been considered for this design.
- 5) Gable requires continuous bottom chord bearing.
- 6) This truss has been designed for a 10.0 psf bottom chord live load nonconcurrent with any other live loads.
- 7) * This truss has been designed for a live load of 20.0psf on the bottom chord in all areas where a rectangle 3-6-0 tall by 2-0-0 wide will fit between the bottom chord and any other members.
- 8) Provide mechanical connection (by others) of truss to bearing plate capable of withstanding 100 lb uplift at joint(s) 1, 3.
- 9) This truss is designed in accordance with the 2018 International Residential Code sections R502.11.1 and R802.10.2 and referenced standard ANSI/TPI 1.



Job 24-2994-A	Truss V06	Truss Type Valley	Qty 1	Ply 1	RVF-LOT #15 ROOF Job Reference (optional)	165708194
------------------	--------------	----------------------	----------	----------	--	-----------

Riverside Roof Truss, LLC,

Danville, Va - 24541,

8.730 s Apr 25 2024 MiTek Industries, Inc. Mon May 20 16:21:30 2024 Page 1

ID:Bxl2MwYau_NHkbraGCmHloyOvst-d6jdV1Iwva0M?PSKJWk47pr1tiDuWA?UPxEcHezEYoZ

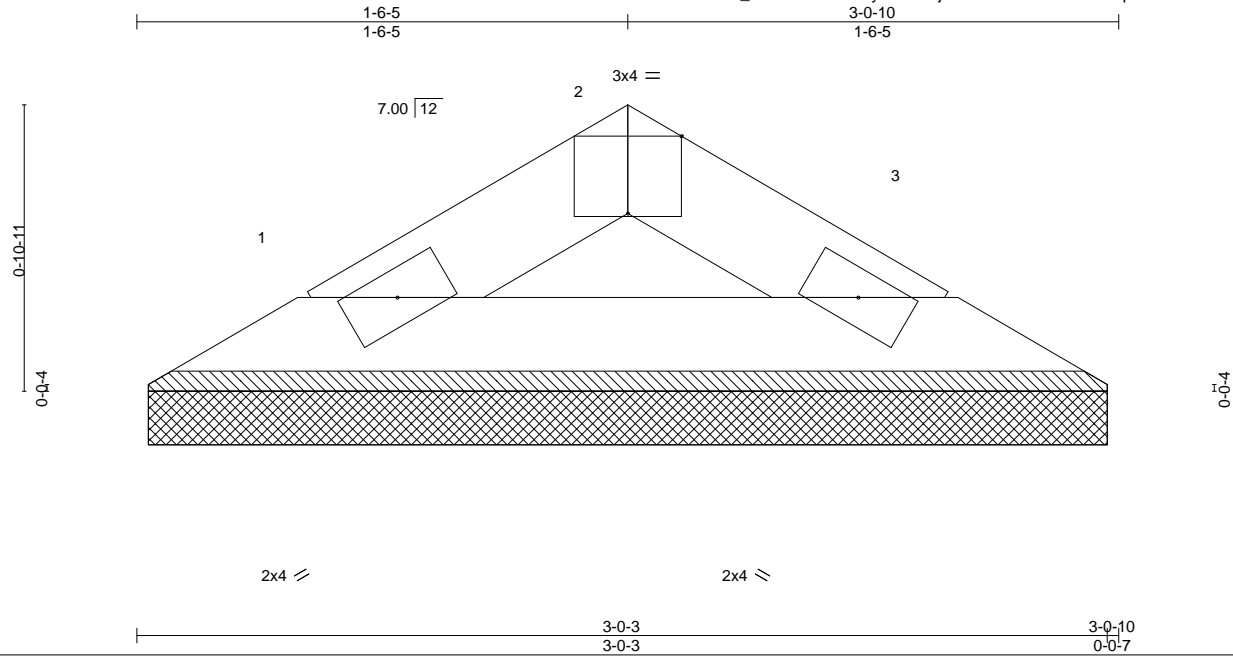


Plate Offsets (X,Y)-- [2:0-2-0,Edge]		3-0-3 3-0-3		3-0-10 0-0-7	
LOADING (psf)	SPACING-	CSI.	DEFL.	PLATES	GRIP
TCLL (roof) 20.0	2-0-0	TC 0.02	in (loc) l/defl L/d	MT20	244/190
Snow (Pf/Pg) 11.6/15.0	Plate Grip DOL 1.15	BC 0.04	Vert(LL) n/a - n/a 999		
TCDL 10.0	Lumber DOL 1.15	WB 0.00	Vert(CT) n/a - n/a 999		
BCLL 0.0 *	Rep Stress Incr YES	Matrix-P	Horz(CT) 0.00 3 n/a n/a		
BCDL 10.0	Code IRC2018/TPI2014			Weight: 8 lb	FT = 20%

LUMBER-	BRACING-
TOP CHORD 2x4 SP No.2	TOP CHORD Structural wood sheathing directly applied or 3-0-10 oc purlins.
BOT CHORD 2x4 SP No.2	BOT CHORD Rigid ceiling directly applied or 10-0-0 oc bracing.

REACTIONS. (size) 1=2-11-13, 3=2-11-13
 Max Horz 1=11(LC 15)
 Max Uplift 1=5(LC 16), 3=5(LC 16)
 Max Grav 1=79(LC 2), 3=79(LC 2)

FORCES. (lb) - Max. Comp./Max. Ten. - All forces 250 (lb) or less except when shown.

NOTES-

- 1) Unbalanced roof live loads have been considered for this design.
- 2) Wind: ASCE 7-16; Vult=130mph (3-second gust) Vasd=103mph; TCCL=6.0psf; BCDL=6.0psf; h=25ft; B=45ft; L=24ft; eave=4ft; Cat. II; Exp B; Enclosed; MWFRS (directional) and C-C Exterior(2E) zone; cantilever left and right exposed ; end vertical left and right exposed;C-C for members and forces & MWFRS for reactions shown; Lumber DOL=1.60 plate grip DOL=1.60
- 3) TCLL: ASCE 7-16; Pr=20.0 psf (roof LL: Lum DOL=1.15 Plate DOL=1.15); Pg=15.0 psf; Pf=11.6 psf (Lum DOL=1.15 Plate DOL=1.15); Is=1.0; Rough Cat B; Partially Exp.; Ce=1.0; Cs=1.00; Ct=1.10
- 4) Unbalanced snow loads have been considered for this design.
- 5) Gable requires continuous bottom chord bearing.
- 6) This truss has been designed for a 10.0 psf bottom chord live load nonconcurrent with any other live loads.
- 7) * This truss has been designed for a live load of 20.0psf on the bottom chord in all areas where a rectangle 3-6-0 tall by 2-0-0 wide will fit between the bottom chord and any other members.
- 8) Provide mechanical connection (by others) of truss to bearing plate capable of withstanding 100 lb uplift at joint(s) 1, 3.
- 9) This truss is designed in accordance with the 2018 International Residential Code sections R502.11.1 and R802.10.2 and referenced standard ANSI/TPI 1.

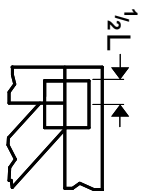


May 22, 2024

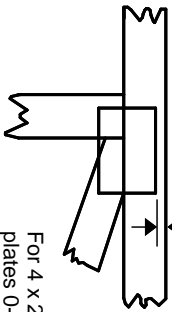
<p>WARNING - Verify design parameters and READ NOTES ON THIS AND INCLUDED MITEK REFERENCE PAGE MII-7473 rev. 1/2/2023 BEFORE USE.</p> <p>Design valid for use only with MiTek® connectors. This design is based only upon parameters shown, and is for an individual building component, not a truss system. Before use, the building designer must verify the applicability of design parameters and properly incorporate this design into the overall building design. Bracing indicated is to prevent buckling of individual truss web and/or chord members only. Additional temporary and permanent bracing is always required for stability and to prevent collapse with possible personal injury and property damage. For general guidance regarding the fabrication, storage, delivery, erection and bracing of trusses and truss systems, see ANSI/TP1 Quality Criteria and DSB-22 available from Truss Plate Institute (www.tpinst.org) and BCSI Building Component Safety Information available from the Structural Building Component Association (www.sbcacomponents.com)</p>	<p>ENGINEERING BY</p> <p>TRENCO</p> <p>A MiTek Affiliate</p> <p>818 Soundside Road Edenton, NC 27932</p>
--	---

Symbols

PLATE LOCATION AND ORIENTATION



Center plate on joint unless x, y offsets are indicated. Dimensions are in ft-in-sixteenths. Apply plates to both sides of truss and fully embed teeth.



For 4 x 2 orientation, locate plates 0- 1/16" from outside edge of truss.



This symbol indicates the required direction of slots in connector plates.

* Plate location details available in MITek software or upon request.

PLATE SIZE

4 X 4

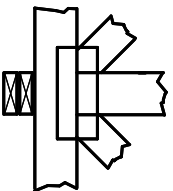
The first dimension is the plate width measured perpendicular to slots. Second dimension is the length parallel to slots.

LATERAL BRACING LOCATION



Indicated by symbol shown and/or by text in the bracing section of the output. Use T or I bracing if indicated.

BEARING



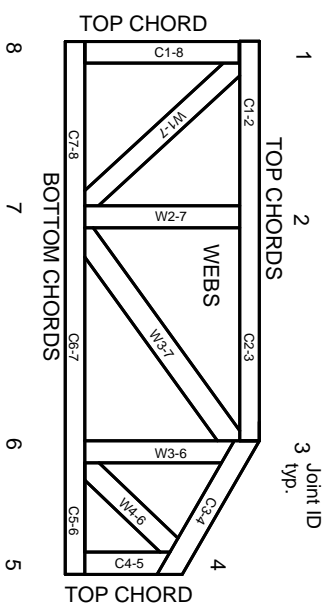
Indicates location where bearings (supports) occur. Icons vary but reaction section indicates joint number/letter where bearings occur. Min size shown is for crushing only.

Industry Standards:

ANSI/TP1: National Design Specification for Metal Plate Connected Wood Truss Construction.
DSB-22: Design Standard for Bracing.
BCSI: Building Component Safety Information, Guide to Good Practice for Handling, Installing, Restraining & Bracing of Metal Plate Connected Wood Trusses.

Numbering System

6-4-8 dimensions shown in ft-in-sixteenths (Drawings not to scale)



JOINTS ARE GENERALLY NUMBERED/LETTERED CLOCKWISE AROUND THE TRUSS STARTING AT THE JOINT FARTHEST TO THE LEFT.

CHORDS AND WEBS ARE IDENTIFIED BY END JOINT NUMBERS/LETTERS.

Product Code Approvals

ICC-ES Reports:

ESR-1988, ESR-2362, ESR-2685, ESR-3282
ESR-4722, ESL-1388

Design General Notes

Trusses are designed for wind loads in the plane of the truss unless otherwise shown.

Lumber design values are in accordance with ANSI/TP1 section 6.3. These truss designs rely on lumber values established by others.

© 2023 MITek® All Rights Reserved

General Safety Notes

Failure to Follow Could Cause Property Damage or Personal Injury

1. Additional stability/bracing for truss system, e.g. diagonal or X-bracing, is always required. See BCSI.
2. Truss bracing must be designed by an engineer. For wide truss spacing, individual lateral braces themselves may require bracing, or alternative Tor I bracing should be considered.
3. Never exceed the design loading shown and never stack materials on inadequately braced trusses.
4. Provide copies of this truss design to the building designer, erection supervisor, property owner and all other interested parties.
5. Cut members to bear tightly against each other.
6. Place plates on each face of truss at each joint and embed fully. Knots and wane at joint locations are regulated by ANSI/TP1 1.
7. Design assumes trusses will be suitably protected from the environment in accord with ANSI/TP1 1.
8. Unless otherwise noted, moisture content of lumber shall not exceed 19% at time of fabrication.
9. Unless expressly noted, this design is not applicable for use with fire retardant, preservative treated, or green lumber.
10. Camber is a non-structural consideration and is the responsibility of truss fabricator. General practice is to camber for dead load deflection.
11. Plate type, size, orientation and location dimensions indicated are minimum plating requirements.
12. Lumber used shall be of the species and size, and in all respects, equal to or better than that specified.
13. Top chords must be sheathed or purlins provided at spacing indicated on design.
14. Bottom chords require lateral bracing at 10 ft. spacing, or less, if no ceiling is installed, unless otherwise noted.
15. Connections not shown are the responsibility of others.
16. Do not cut or alter truss member or plate without prior approval of an engineer.
17. Install and load vertically unless indicated otherwise.
18. Use of green or treated lumber may pose unacceptable environmental, health or performance risks. Consult with project engineer before use.
19. Review all portions of this design (front, back, words and pictures) before use. Reviewing pictures alone is not sufficient.
20. Design assumes manufacture in accordance with ANSI/TP1 1 Quality Criteria.
21. The design does not take into account any dynamic or other loads other than those expressly stated.

MITek

ENGINEERING BY
TRENGO
A MITek Affiliate

MITek Engineering Reference Sheet: MIL-7473 rev. 1/2/2023