

Job 72318271	Truss A01	Truss Type Truss	Qty 22	Ply 1	Service - 79 PONCHARTRAIN ST Job Reference (optional)
-----------------	--------------	---------------------	-----------	----------	--

UFP Mid Atlantic LLC, 5631 S. NC 62, Burlington, NC, Gina Tolley

Run: 8.62 S Sep 22 2022 Print: 8.620 S Sep 22 2022 MiTek Industries, Inc. Fri May 12 08:56:48

Page: 1

ID:BxlwfmPjB3GVShZYXeiiEzHamh-KhbGO4srviqBTcFpb7ldubFIEwG43OWetcnZqrzHlxj

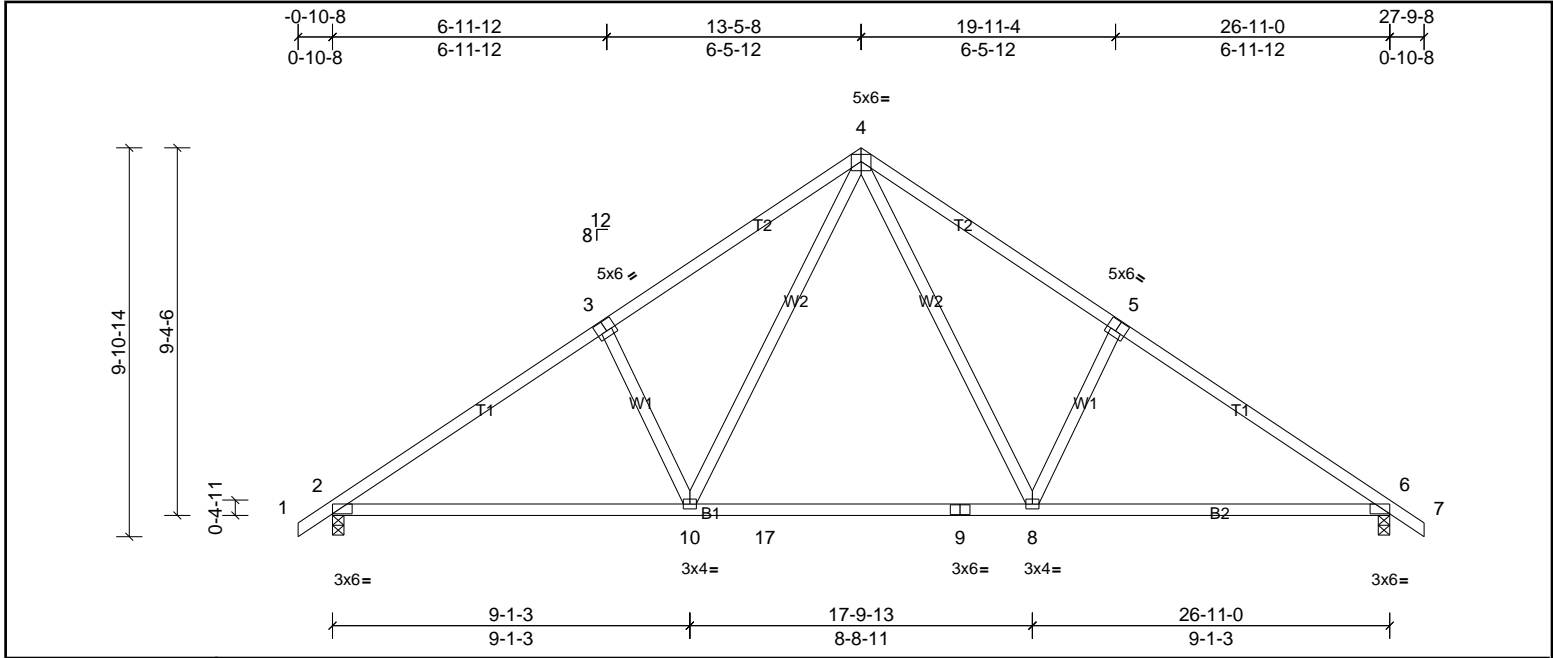


Plate Offsets (X, Y): [3:0-3-0,0-3-4], [5:0-3-0,0-3-4], [6:0-2-4,Edge]

Loading	(psf)	Spacing	2-0-0	CSI	DEFL	in	(loc)	l/defl	L/d	PLATES	GRIP	
TCLL (roof)	20.0	Plate Grip DOL	1.15	TC	0.63	Vert(LL)	-0.30	8-10	>999	240	MT20	244/190
TCDL	10.0	Lumber DOL	1.15	BC	0.79	Vert(CT)	-0.38	8-10	>842	180		
BCLL	0.0*	Rep Stress Incr	YES	WB	0.26	Horz(CT)	0.04	6	n/a	n/a		
BCDL	10.0	Code	IRC2015/TPI2014	Matrix-MSH							Weight: 135 lb	FT = 20%

LUMBER	BRACING
TOP CHORD 2x4 SP No.2	TOP CHORD Structural wood sheathing directly applied or 3-10-11 oc purlins.
BOT CHORD 2x4 SP No.2	BOT CHORD Rigid ceiling directly applied or 10-0-0 oc bracing.
WEBS 2x4 SP No.3	

REACTIONS	(lb/size)
	2=1129/0-3-8, (min. 0-1-8), 6=1129/0-3-8, (min. 0-1-8)
	Max Horiz 2=-185 (LC 8)
	Max Uplift 2=-33 (LC 10), 6=-33 (LC 11)

FORCES	(lb) - Max. Comp./Max. Ten. - All forces 250 (lb) or less except when shown.
TOP CHORD	2-3=-1545/134, 3-4=-1421/203, 4-5=-1421/203, 5-6=-1545/134
BOT CHORD	2-10=-69/1341, 10-17=0/865, 9-17=0/865, 8-9=0/865, 6-8=-1/1230
WEBS	4-8=-83/710, 5-8=-393/194, 4-10=-83/709, 3-10=-393/194

- NOTES**
- Unbalanced roof live loads have been considered for this design.
 - Wind: ASCE 7-10; Vult=115mph (3-second gust) Vasd=91mph; TCDL=6.0psf; BCDL=6.0psf; h=25ft; Cat. II; Exp B; Enclosed; MWFRS (envelope) exterior zone and C-C Exterior (2) zone; cantilever left and right exposed; end vertical left and right exposed; C-C for members and forces & MWFRS for reactions shown; Lumber DOL=1.60 plate grip DOL=1.60
 - This truss has been designed for a 10.0 psf bottom chord live load nonconcurrent with any other live loads.
 - * This truss has been designed for a live load of 20.0psf on the bottom chord in all areas where a rectangle 3-06-00 tall by 2-00-00 wide will fit between the bottom chord and any other members, with BCDL = 10.0psf.
 - Provide mechanical connection (by others) of truss to bearing plate capable of withstanding 33 lb uplift at joint 2 and 33 lb uplift at joint 6.
 - This truss is designed in accordance with the 2015 International Residential Code sections R502.11.1 and R802.10.2 and referenced standard ANSI/TPI 1.



This design is based upon parameters shown, and is for an individual building component to be installed and loaded vertically. Applicability of design parameters and proper incorporation of component is responsibility of the Building Designer. Building Designer shall verify all design information on this sheet for conformance with conditions and requirements of the specific building and governing codes and ordinances. Building Designer accepts responsibility for the correctness or accuracy of the design information as it may relate to a specific building. Certification is valid only when truss is fabricated by a UFPI plant. Bracing shown is for lateral support of truss members only and does not replace erection and permanent bracing. Refer to Building Component Safety Information (BCSI) for general guidance regarding storage, erection and bracing available from SBCA and Truss Plate Institute.



Job 72318271	Truss A02-G	Truss Type Truss	Qty 2	Ply 1	Service - 79 PONCHARTRAIN ST Job Reference (optional)
-----------------	----------------	---------------------	----------	----------	--

UFP Mid Atlantic LLC, 5631 S. NC 62, Burlington, NC, Gina Tolley

Run: 8.62 S Sep 22 2022 Print: 8.620 S Sep 22 2022 MiTek Industries, Inc. Fri May 12 08:56:49

Page: 1

ID:f7slt6PxUVC77bGl6E9xFRzHamg-ot9ecQtTg0y25mq09qpsQpo2fk0?ouQn6GW7MHzHlx

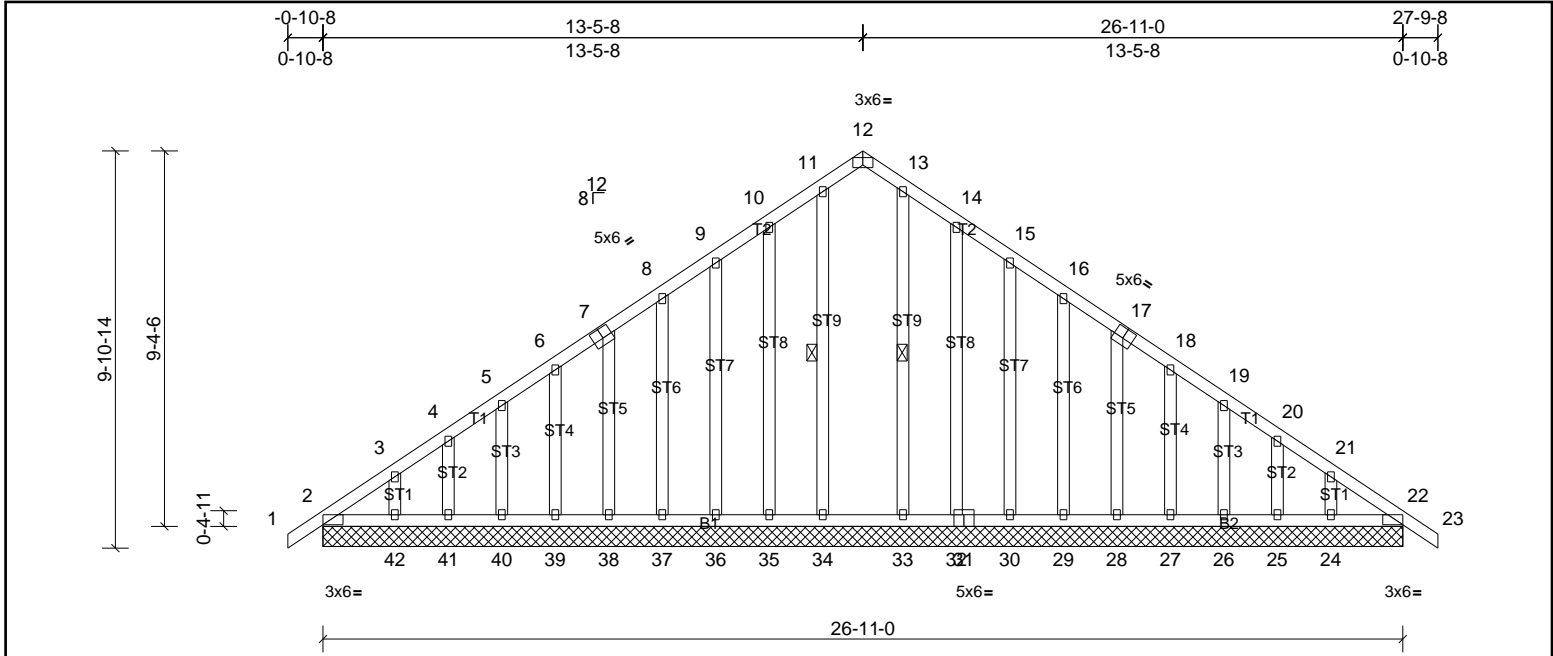


Plate Offsets (X, Y): [7'-0-3-0,0-3-0], [12'-0-3-0,Edge], [17'-0-3-0,0-3-0], [22'-0-2-4,Edge]

Loading	(psf)	Spacing	2-0-0	CSI	DEFLL	in	(loc)	l/defl	L/d	PLATES	GRIP	
TCLL (roof)	20.0	Plate Grip DOL	1.15	TC	0.08	Vert(LL)	n/a	-	n/a	999	MT20	244/190
TCDL	10.0	Lumber DOL	1.15	BC	0.04	Vert(CT)	n/a	-	n/a	999		
BCLL	0.0*	Rep Stress Incr	YES	WB	0.09	Horz(CT)	0.01	22	n/a	n/a		
BCDL	10.0	Code	IRC2015/TPI2014	Matrix-MSH							Weight: 215 lb	FT = 20%

LUMBER	BRACING
TOP CHORD 2x4 SP No.2	TOP CHORD Structural wood sheathing directly applied or 6-0-0 oc purlins.
BOT CHORD 2x4 SP No.2	BOT CHORD Rigid ceiling directly applied or 10-0-0 oc bracing.
OTHERS 2x4 SP No.3	WEBS 1 Row at midpt 11-34, 13-33

REACTIONS All bearings 26-11-0.
 (lb) - Max Horiz 2--185 (LC 8), 43--185 (LC 8)
 Max Uplift All uplift 100 (lb) or less at joint(s) 2, 24, 25, 26, 27, 28, 29, 30, 32, 35, 36, 37, 38, 39, 40, 41, 42, 43
 Max Grav All reactions 250 (lb) or less at joint(s) 2, 22, 24, 25, 26, 27, 28, 29, 30, 32, 33, 34, 35, 36, 37, 38, 39, 40, 41, 42, 43, 47

FORCES (lb) - Max. Comp./Max. Ten. - All forces 250 (lb) or less except when shown.

- NOTES**
- 1) Unbalanced roof live loads have been considered for this design.
 - 2) Wind: ASCE 7-10; Vult=115mph (3-second gust) Vasd=91mph; TCDL=6.0psf; BCDL=6.0psf; h=25ft; Cat. II; Exp B; Enclosed; MWFRS (envelope) exterior zone and C-C Exterior (2) zone; cantilever left and right exposed; end vertical left and right exposed; C-C for members and forces & MWFRS for reactions shown; Lumber DOL=1.60 plate grip DOL=1.60
 - 3) Truss designed for wind loads in the plane of the truss only.
 - 4) All plates are 2x3 MT20 unless otherwise indicated.
 - 5) Gable requires continuous bottom chord bearing.
 - 6) Gable studs spaced at 1'-4" oc.
 - 7) This truss has been designed for a 10.0 psf bottom chord live load nonconcurrent with any other live loads.
 - 8) * This truss has been designed for a live load of 20.0psf on the bottom chord in all areas where a rectangle 3'-06"-00 tall by 2'-00"-00 wide will fit between the bottom chord and any other members.
 - 9) Provide mechanical connection (by others) of truss to bearing plate capable of withstanding 100 lb uplift at joint(s) 2, 35, 36, 37, 38, 39, 40, 41, 42, 32, 30, 29, 28, 27, 26, 25, 24, 2.
 - 10) This truss is designed in accordance with the 2015 International Residential Code sections R502.11.1 and R802.10.2 and referenced standard ANSI/TPI 1.



This design is based upon parameters shown, and is for an individual building component to be installed and loaded vertically. Applicability of design parameters and proper incorporation of component is responsibility of the Building Designer. Building Designer shall verify all design information on this sheet for conformance with conditions and requirements of the specific building and governing codes and ordinances. Building Designer accepts responsibility for the correctness or accuracy of the design information as it may relate to a specific building. Certification is valid only when truss is fabricated by a UFPI plant. Bracing shown is for lateral support of truss members only and does not replace erection and permanent bracing. Refer to Building Component Safety Information (BCSI) for general guidance regarding storage, erection and bracing available from SBCA and Truss Plate Institute.



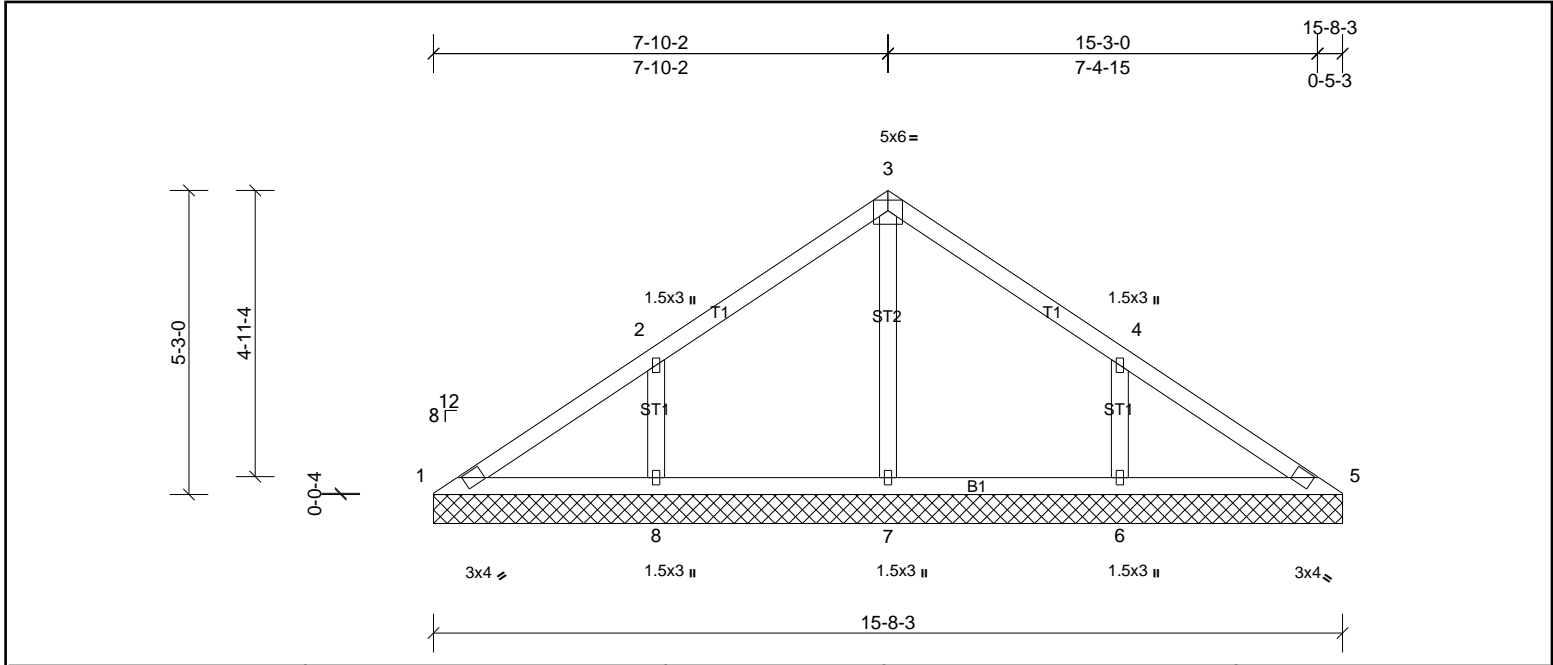
Job 72318271	Truss V01	Truss Type Truss	Qty 1	Ply 1	Service - 79 PONCHARTRAIN ST Job Reference (optional)
-----------------	--------------	---------------------	----------	----------	--

UFP Mid Atlantic LLC, 5631 S. NC 62, Burlington, NC, Gina Tolley

Run: 8.62 S Sep 22 2022 Print: 8.620 S Sep 22 2022 MiTek Industries, Inc. Fri May 12 08:56:49

Page: 1

ID:7KQg4RQZFPk_klrfxgAofzHamf-ot9ecQtTgOy25mq09qpsQpo0JKnqotqn6GW7MHzHlxi



Loading	(psf)	Spacing	2-0-0	CSI	DEFL	in	(loc)	l/defl	L/d	PLATES	GRIP	
TCLL (roof)	20.0	Plate Grip DOL	1.15	TC	0.23	Vert(LL)	n/a	-	n/a	999	MT20	244/190
TCDL	10.0	Lumber DOL	1.15	BC	0.12	Vert(TL)	n/a	-	n/a	999		
BCLL	0.0*	Rep Stress Incr	YES	WB	0.13	Horiz(TL)	0.00	5	n/a	n/a		
BCDL	10.0	Code	IRC2015/TPI2014	Matrix-MSH							Weight: 63 lb	FT = 20%

LUMBER		BRACING	
TOP CHORD	2x4 SP No.2	TOP CHORD	Structural wood sheathing directly applied or 10-0-0 oc purlins.
BOT CHORD	2x4 SP No.2	BOT CHORD	Rigid ceiling directly applied or 6-0-0 oc bracing.
OTHERS	2x4 SP No.3		

REACTIONS	
	All bearings 15-8-3.
(lb) - Max Horiz	1=98 (LC 8)
Max Uplift	All uplift 100 (lb) or less at joint(s) 1, 6, 8
Max Grav	All reactions 250 (lb) or less at joint(s) 1, 5 except 6=372 (LC 18), 7=341 (LC 1), 8=374 (LC 17)

FORCES	
	(lb) - Max. Comp./Max. Ten. - All forces 250 (lb) or less except when shown.

WEBS	
	3-7=-272/0, 2-8=-270/129, 4-6=-269/128

- NOTES**
- 1) Unbalanced roof live loads have been considered for this design.
 - 2) Wind: ASCE 7-10; Vult=115mph (3-second gust) Vasd=91mph; TCDL=6.0psf; BCDL=6.0psf; h=25ft; Cat. II; Exp B; Enclosed; MWFRS (envelope) exterior zone and C-C Exterior (2) zone; cantilever left and right exposed; end vertical left and right exposed; C-C for members and forces & MWFRS for reactions shown; Lumber DOL=1.60 plate grip DOL=1.60
 - 3) Gable requires continuous bottom chord bearing.
 - 4) This truss has been designed for a 10.0 psf bottom chord live load nonconcurrent with any other live loads.
 - 5) * This truss has been designed for a live load of 20.0psf on the bottom chord in all areas where a rectangle 3-06-00 tall by 2-00-00 wide will fit between the bottom chord and any other members.
 - 6) Provide mechanical connection (by others) of truss to bearing plate capable of withstanding 100 lb uplift at joint(s) 1, 8, 6.
 - 7) This truss is designed in accordance with the 2015 International Residential Code sections R502.11.1 and R802.10.2 and referenced standard ANSI/TPI 1.



This design is based upon parameters shown, and is for an individual building component to be installed and loaded vertically. Applicability of design parameters and proper incorporation of component is responsibility of the Building Designer. Building Designer shall verify all design information on this sheet for conformance with conditions and requirements of the specific building and governing codes and ordinances. Building Designer accepts responsibility for the correctness or accuracy of the design information as it may relate to a specific building. Certification is valid only when truss is fabricated by a UFPI plant. Bracing shown is for lateral support of truss members only and does not replace erection and permanent bracing. Refer to Building Component Safety Information (BCSI) for general guidance regarding storage, erection and bracing available from SBCA and Truss Plate Institute.



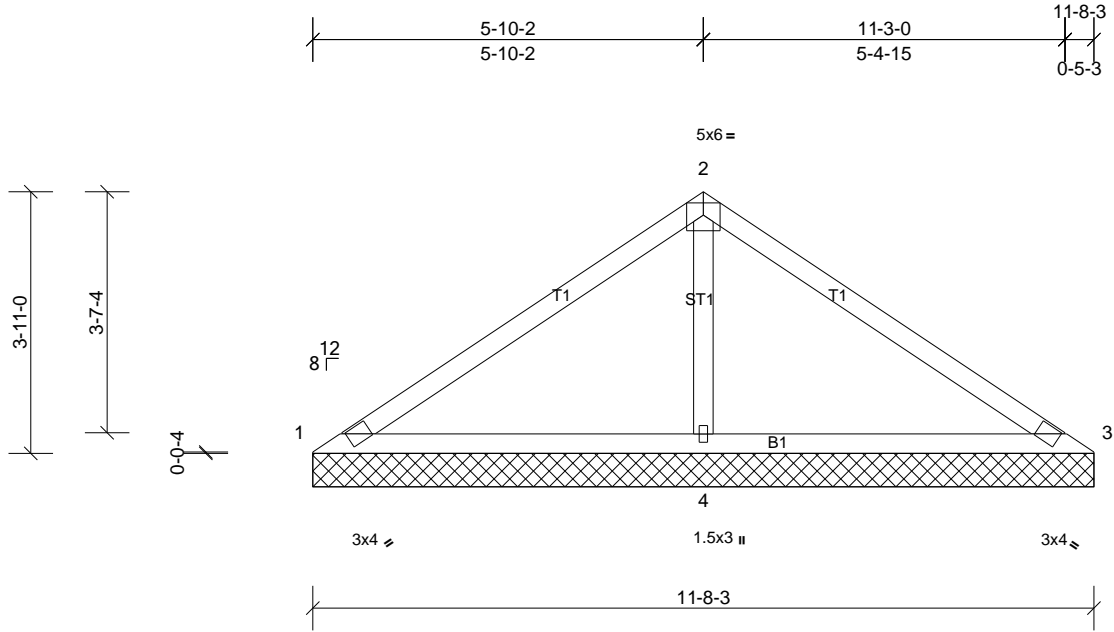
Job 72318271	Truss V02	Truss Type Truss	Qty 1	Ply 1	Service - 79 PONCHARTRAIN ST Job Reference (optional)
-----------------	--------------	---------------------	----------	----------	--

UFP Mid Atlantic LLC, 5631 S. NC 62, Burlington, NC, Gina Tolley

Run: 8.62 S Sep 22 2022 Print: 8.620 S Sep 22 2022 MiTek Industries, Inc. Fri May 12 08:56:50

Page: 1

ID:7KQg4RQZFpK_klrfxgAofzHamf-H4j0pmu5RJ4vjwPCiYK5z0K88k3HXJkxKwGguzjHlxh



Loading	(psf)	Spacing	2-0-0	CSI	DEFL	in	(loc)	l/defl	L/d	PLATES	GRIP
TCLL (roof)	20.0	Plate Grip DOL	1.15	TC	Vert(LL)	n/a	-	n/a	999	MT20	244/190
TCDL	10.0	Lumber DOL	1.15	BC	Vert(TL)	n/a	-	n/a	999		
BCLL	0.0*	Rep Stress Incr	YES	WB	Horiz(TL)	0.00	3	n/a	n/a		
BCDL	10.0	Code	IRC2015/TPI2014	Matrix-MSH						Weight: 42 lb	FT = 20%

LUMBER
TOP CHORD 2x4 SP No.2
BOT CHORD 2x4 SP No.2
OTHERS 2x4 SP No.3

BRACING
TOP CHORD Structural wood sheathing directly applied or 10-0-0 oc purlins.
BOT CHORD Rigid ceiling directly applied or 6-0-0 oc bracing.

REACTIONS (lb/size) 1=4/11-8-3, (min. 0-1-8), 3=4/11-8-3, (min. 0-1-8), 4=927/11-8-3, (min. 0-1-8)
Max Horiz 1=-72 (LC 6)
Max Uplift 1=-56 (LC 22), 3=-56 (LC 21), 4=-45 (LC 10)
Max Grav 1=61 (LC 21), 3=61 (LC 22), 4=927 (LC 1)

FORCES (lb) - Max. Comp./Max. Ten. - All forces 250 (lb) or less except when shown.
TOP CHORD 1-2=-77/460, 2-3=-77/460
BOT CHORD 1-4=-321/115, 3-4=-321/115
WEBS 2-4=-731/155

- NOTES**
- Unbalanced roof live loads have been considered for this design.
 - Wind: ASCE 7-10; Vult=115mph (3-second gust) Vasd=91mph; TCDL=6.0psf; BCDL=6.0psf; h=25ft; Cat. II; Exp B; Enclosed; MWFRS (envelope) exterior zone and C-C Exterior (2) zone; cantilever left and right exposed; end vertical left and right exposed; C-C for members and forces & MWFRS for reactions shown; Lumber DOL=1.60 plate grip DOL=1.60
 - Gable requires continuous bottom chord bearing.
 - This truss has been designed for a 10.0 psf bottom chord live load nonconcurrent with any other live loads.
 - * This truss has been designed for a live load of 20.0psf on the bottom chord in all areas where a rectangle 3-06-00 tall by 2-00-00 wide will fit between the bottom chord and any other members.
 - Provide mechanical connection (by others) of truss to bearing plate capable of withstanding 56 lb uplift at joint 1, 56 lb uplift at joint 3 and 45 lb uplift at joint 4.
 - This truss is designed in accordance with the 2015 International Residential Code sections R502.11.1 and R802.10.2 and referenced standard ANSI/TPI 1.



This design is based upon parameters shown, and is for an individual building component to be installed and loaded vertically. Applicability of design parameters and proper incorporation of component is responsibility of the Building Designer. Building Designer shall verify all design information on this sheet for conformance with conditions and requirements of the specific building and governing codes and ordinances. Building Designer accepts responsibility for the correctness or accuracy of the design information as it may relate to a specific building. Certification is valid only when truss is fabricated by a UFPI plant. Bracing shown is for lateral support of truss members only and does not replace erection and permanent bracing. Refer to Building Component Safety Information (BCSI) for general guidance regarding storage, erection and bracing available from SBCA and Truss Plate Institute.



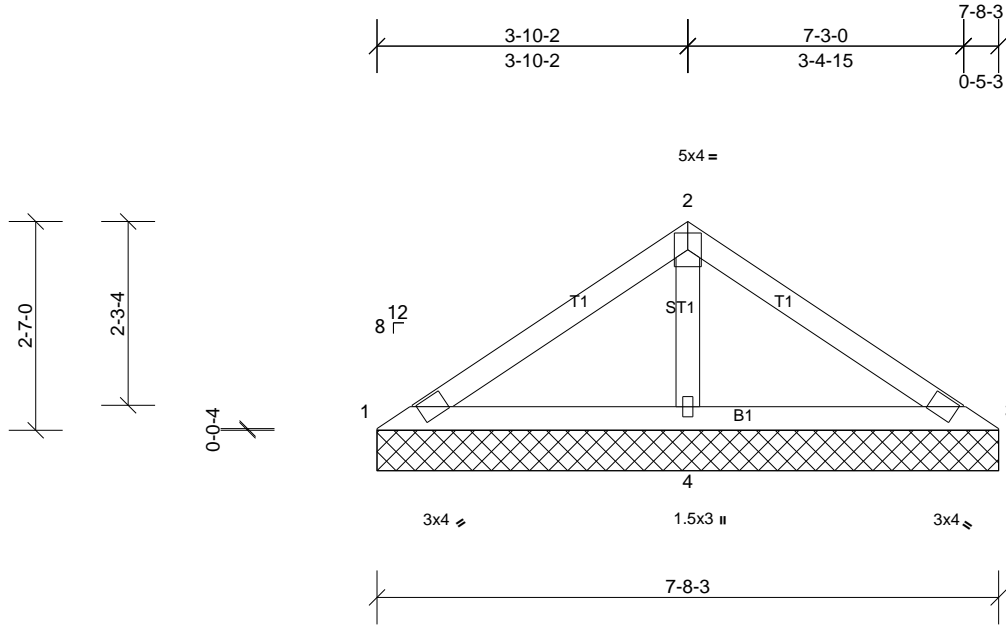
Job 72318271	Truss V03	Truss Type Truss	Qty 1	Ply 1	Service - 79 PONCHARTRAIN ST Job Reference (optional)
-----------------	--------------	---------------------	----------	----------	--

UFP Mid Atlantic LLC, 5631 S. NC 62, Burlington, NC, Gina Tolley

Run: 8.62 S Sep 22 2022 Print: 8.620 S Sep 22 2022 MiTek Industries, Inc. Fri May 12 08:56:50

Page: 1

ID:7KQg4RQZFpK_klrxfxgAofzHamf-H4j0pmu5RJ4vjwPCiYK5z0KCCk6OXLtKwGguzjHlxh



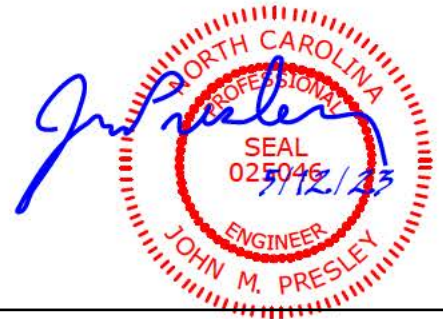
Loading	(psf)	Spacing	2-0-0	CSI	DEFL	in	(loc)	l/defl	L/d	PLATES	GRIP
TCLL (roof)	20.0	Plate Grip DOL	1.15	TC	Vert(LL)	n/a	-	n/a	999	MT20	244/190
TCDL	10.0	Lumber DOL	1.15	BC	Vert(TL)	n/a	-	n/a	999		
BCLL	0.0*	Rep Stress Incr	YES	WB	Horiz(TL)	0.00	3	n/a	n/a		
BCDL	10.0	Code	IRC2015/TPI2014	Matrix-MSH						Weight: 26 lb	FT = 20%

LUMBER		BRACING	
TOP CHORD	2x4 SP No.2	TOP CHORD	Structural wood sheathing directly applied or 7-8-3 oc purlins.
BOT CHORD	2x4 SP No.2	BOT CHORD	Rigid ceiling directly applied or 6-0-0 oc bracing.
OTHERS	2x4 SP No.3		

REACTIONS	(lb/size)	1=51/7-8-3, (min. 0-1-8), 3=51/7-8-3, (min. 0-1-8), 4=512/7-8-3, (min. 0-1-8)
	Max Horiz	1=47 (LC 6)
	Max Uplift	3=7 (LC 11), 4=-15 (LC 10)
	Max Grav	1=76 (LC 21), 3=76 (LC 22), 4=512 (LC 1)

FORCES	(lb) - Max. Comp./Max. Ten. - All forces 250 (lb) or less except when shown.
WEBS	2-4=-372/79

- NOTES**
- Unbalanced roof live loads have been considered for this design.
 - Wind: ASCE 7-10; Vult=115mph (3-second gust) Vasd=91mph; TCDL=6.0psf; BCDL=6.0psf; h=25ft; Cat. II; Exp B; Enclosed; MWFRS (envelope) exterior zone and C-C Exterior (2) zone; cantilever left and right exposed; end vertical left and right exposed; C-C for members and forces & MWFRS for reactions shown; Lumber DOL=1.60 plate grip DOL=1.60
 - Gable requires continuous bottom chord bearing.
 - This truss has been designed for a 10.0 psf bottom chord live load nonconcurrent with any other live loads.
 - * This truss has been designed for a live load of 20.0psf on the bottom chord in all areas where a rectangle 3-06-00 tall by 2-00-00 wide will fit between the bottom chord and any other members.
 - Provide mechanical connection (by others) of truss to bearing plate capable of withstanding 7 lb uplift at joint 3 and 15 lb uplift at joint 4.
 - This truss is designed in accordance with the 2015 International Residential Code sections R502.11.1 and R802.10.2 and referenced standard ANSI/TPI 1.



This design is based upon parameters shown, and is for an individual building component to be installed and loaded vertically. Applicability of design parameters and proper incorporation of component is responsibility of the Building Designer. Building Designer shall verify all design information on this sheet for conformance with conditions and requirements of the specific building and governing codes and ordinances. Building Designer accepts responsibility for the correctness or accuracy of the design information as it may relate to a specific building. Certification is valid only when truss is fabricated by a UFPI plant. Bracing shown is for lateral support of truss members only and does not replace erection and permanent bracing. Refer to Building Component Safety Information (BCSI) for general guidance regarding storage, erection and bracing available from SBCA and Truss Plate Institute.



Job 72318271	Truss V04	Truss Type Truss	Qty 1	Ply 1	Service - 79 PONCHARTRAIN ST Job Reference (optional)
-----------------	--------------	---------------------	----------	----------	--

UFP Mid Atlantic LLC, 5631 S. NC 62, Burlington, NC, Gina Tolley

Run: 8.62 S Sep 22 2022 Print: 8.620 S Sep 22 2022 MiTek Industries, Inc. Fri May 12 08:56:50

Page: 1

ID:7KQg4RQZFpK_klrxfGaozfHamf-H4j0pmu5RJ4vjwPCiYK5z0KD0k7WXM7xKwGgujzHlxh

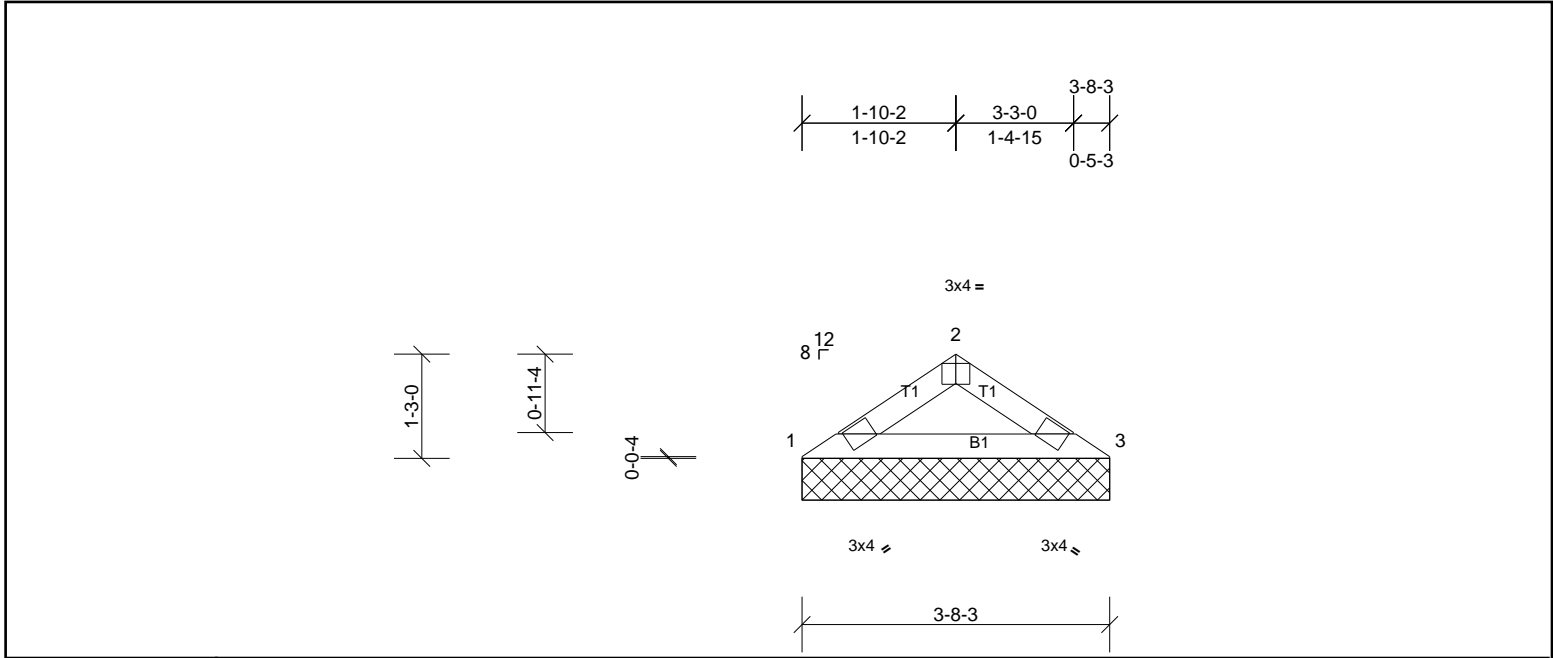


Plate Offsets (X, Y): [2:0-2-0,Edge]

Loading	(psf)	Spacing	2-0-0	CSI	DEFL	in	(loc)	l/defl	L/d	PLATES	GRIP	
TCLL (roof)	20.0	Plate Grip DOL	1.15	TC	0.10	Vert(LL)	n/a	-	n/a	999	MT20	244/190
TCDL	10.0	Lumber DOL	1.15	BC	0.09	Vert(TL)	n/a	-	n/a	999		
BCLL	0.0*	Rep Stress Incr	YES	WB	0.00	Horiz(TL)	0.00	3	n/a	n/a		
BCDL	10.0	Code	IRC2015/TPI2014	Matrix-MP							Weight: 11 lb	FT = 20%

LUMBER	BRACING
TOP CHORD 2x4 SP No.2	TOP CHORD Structural wood sheathing directly applied or 3-8-3 oc purlins.
BOT CHORD 2x4 SP No.2	BOT CHORD Rigid ceiling directly applied or 10-0-0 oc bracing.
REACTIONS (lb/size) 1=147/3-8-3, (min. 0-1-8), 3=147/3-8-3, (min. 0-1-8) Max Horiz 1=21 (LC 7) Max Uplift 1=3 (LC 10), 3=3 (LC 11)	
FORCES (lb) - Max. Comp./Max. Ten. - All forces 250 (lb) or less except when shown.	

- NOTES**
- Unbalanced roof live loads have been considered for this design.
 - Wind: ASCE 7-10; Vult=115mph (3-second gust) Vasd=91mph; TCCL=6.0psf; BCDL=6.0psf; h=25ft; Cat. II; Exp B; Enclosed; MWFRS (envelope) exterior zone and C-C Exterior (2) zone; cantilever left and right exposed; end vertical left and right exposed; C-C for members and forces & MWFRS for reactions shown; Lumber DOL=1.60 plate grip DOL=1.60
 - Gable requires continuous bottom chord bearing.
 - This truss has been designed for a 10.0 psf bottom chord live load nonconcurrent with any other live loads.
 - * This truss has been designed for a live load of 20.0psf on the bottom chord in all areas where a rectangle 3-06-00 tall by 2-00-00 wide will fit between the bottom chord and any other members.
 - Provide mechanical connection (by others) of truss to bearing plate capable of withstanding 3 lb uplift at joint 1 and 3 lb uplift at joint 3.
 - This truss is designed in accordance with the 2015 International Residential Code sections R502.11.1 and R802.10.2 and referenced standard ANSI/TPI 1.



This design is based upon parameters shown, and is for an individual building component to be installed and loaded vertically. Applicability of design parameters and proper incorporation of component is responsibility of the Building Designer. Building Designer shall verify all design information on this sheet for conformance with conditions and requirements of the specific building and governing codes and ordinances. Building Designer accepts responsibility for the correctness or accuracy of the design information as it may relate to a specific building. Certification is valid only when truss is fabricated by a UFPI plant. Bracing shown is for lateral support of truss members only and does not replace erection and permanent bracing. Refer to Building Component Safety Information (BCSI) for general guidance regarding storage, erection and bracing available from SBCA and Truss Plate Institute.

