

Mark Morris, P.E.

#126, 1317-M, Summerville, SC 29483

843 209-5784, Fax (866)-213-4614

The truss drawing(s) listed below have been prepared by **Atlantic Building Components** under my direct supervision based on the parameters provided by the truss designers.

AST #: 46665

JOB: 24-1220-F01

JOB NAME: LOT 0.0093 BLAKE POND

Wind Code: N/A

Wind Speed: Vult= N/A

Exposure Category: N/A

Mean Roof Height (feet): N/A

These truss designs comply with IRC 2015 as well as IRC 2018.

19 Truss Design(s)

Trusses:

F1-01, F1-02, F1-03, F1-04, F1-05, F1-06, F1-07, F1-08, F1-10, F1-11, F1-12, F1-13, F1-13A, F1-14, F1-14A, F1-15, F1-16, F1-18, F1-19



3/18/2024

Mark Morris

Warning !—Verify design parameters and read notes before use.

This design is based only upon parameters shown, and is for an individual building component to be installed and loaded vertically. Applicability of design parameters and proper incorporation of component is responsibility of building designer – not truss designer or truss engineer. Bracing shown is for lateral support of individual web members only. Additional temporary bracing to ensure stability during construction is the responsibility of the erector. Additional permanent bracing of the overall structure is the responsibility of the building designer. For general guidance regarding fabrication, quality control, storage, delivery, erection and bracing, consult ANSI/TPI 1 *National Design Standard for Metal Plate Connected Wood Truss Construction* and BCSI 1-03 *Guide to Good Practice for*

Job	Truss	Truss Type	Qty	Ply	LOT 0.0093 BLAKE POND 150 WHIMBREL COURT LILLINGTON, NC
24-1220-F01	F1-01	GABLE	1	1	
					# 46665

Run: 8.430 s Feb 12 2021 Print: 8.430 s Feb 12 2021 MiTek Industries, Inc. Mon Mar 18 20:28:47 2024 Page 1
 ID:fcZ0KwZoZQmeXTIMivGJ_CysCYm-sxWg_V6w7tQBM3RV9IRZDcS282sdFKMkn4hFirzZc3

0₁+8

Scale = 1:21.9

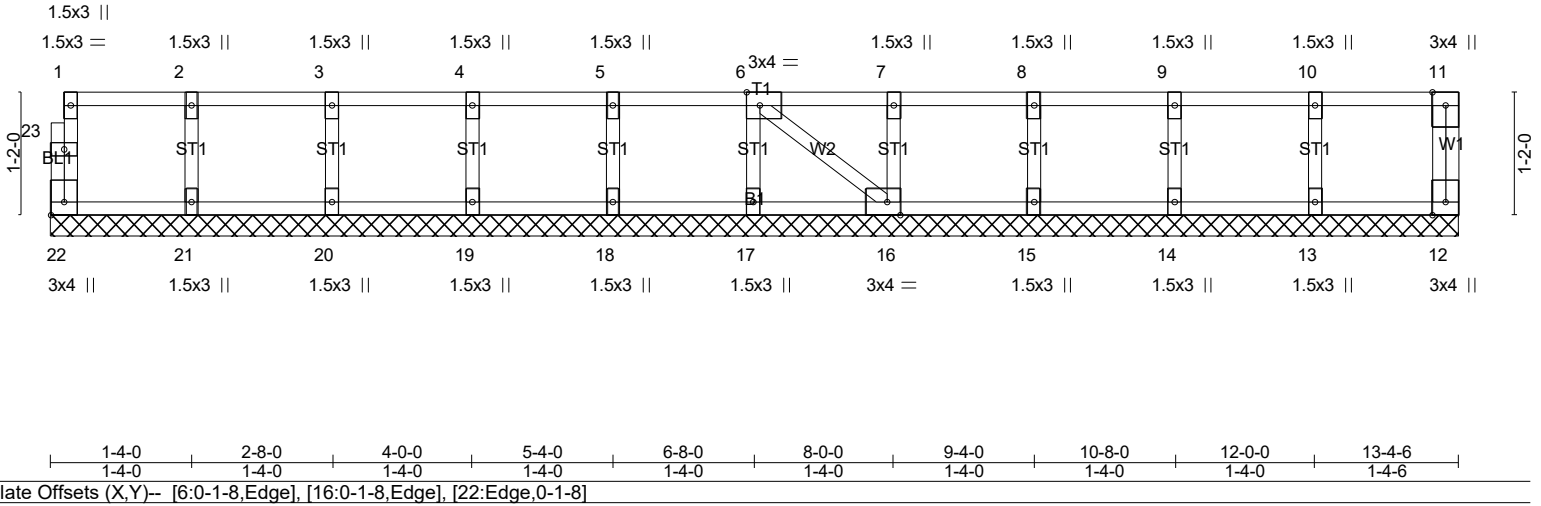


Plate Offsets (X,Y)-- [6:0-1-8,Edge], [16:0-1-8,Edge], [22:Edge,0-1-8]					
LOADING (psf)	SPACING- 2-0-0	CSI.	DEFL. in (loc) l/defl L/d	PLATES	GRIP
TCLL 40.0	Plate Grip DOL 1.00	TC 0.06	Vert(LL) n/a - n/a 999	MT20	244/190
TCDL 10.0	Lumber DOL 1.00	BC 0.01	Vert(CT) n/a - n/a 999		
BCLL 0.0	Rep Stress Incr YES	WB 0.03	Horz(CT) 0.00 12 n/a n/a		
BCDL 5.0	Code IRC2021/TPI2014	Matrix-SH		Weight: 59 lb	FT = 20%F, 11%E

LUMBER-	BRACING-
TOP CHORD 2x4 SP No.1(flat)	TOP CHORD Structural wood sheathing directly applied or 6-0-0 oc purlins, except end verticals.
BOT CHORD 2x4 SP No.1(flat)	BOT CHORD Rigid ceiling directly applied or 10-0-0 oc bracing.
WEBS 2x4 SP No.3(flat)	
OTHERS 2x4 SP No.3(flat)	

REACTIONS. All bearings 13-4-6.
 (lb) - Max Grav All reactions 250 lb or less at joint(s) 22, 12, 21, 20, 19, 18, 17, 16, 15, 14, 13

FORCES. (lb) - Max. Comp./Max. Ten. - All forces 250 (lb) or less except when shown.

- NOTES-** (6)
- Gable requires continuous bottom chord bearing.
 - Truss to be fully sheathed from one face or securely braced against lateral movement (i.e. diagonal web).
 - Gable studs spaced at 1-4-0 oc.
 - Recommend 2x6 strongbacks, on edge, spaced at 10-0-0 oc and fastened to each truss with 3-10d (0.131" X 3") nails. Strongbacks to be attached to walls at their outer ends or restrained by other means.
 - CAUTION. Do not erect truss backwards.

LOAD CASE(S) Standard



3/18/2024

Warning !—Verify design parameters and read notes before use. This design is based only upon parameters shown, and is for an individual building component to be installed and loaded vertically. Applicability of design parameters and proper incorporation of component is responsibility of building designer – not truss designer or truss engineer. Bracing shown is for lateral support of individual web members only. Additional temporary bracing to ensure stability during construction is the responsibility of the erector. Additional permanent bracing of the overall structure is the responsibility of the building designer. For general guidance regarding fabrication, quality control, storage, delivery, erection and bracing, consult ANSI/TPI 1 *National Design Standard for Metal Plate Connected Wood Truss Construction* and BCSI 1-03 *Guide to Good Practice for Handling, Installing & Bracing of Metal Plate Connected Wood Trusses* from Truss Plate Institute, 583 D*Onofrio Drive, Madison, WI 53719.

Job 24-1220-F01	Truss F1-02	Truss Type Floor	Qty 6	Ply 1	LOT 0.0093 BLAKE POND 150 WHIMBREL COURT LILLINGTON, NC Job Reference (optional) # 46665
--------------------	----------------	---------------------	----------	----------	---

Run: 8.430 s Feb 12 2021 Print: 8.430 s Feb 12 2021 MiTek Industries, Inc. Mon Mar 18 20:28:48 2024 Page 1
ID:fcZ0KwZoZQmeXTIMivGJ_CysCYm-K742Br7YuBY2_D0ijSyomq?9yS2l_hjt0kQoEHZc2z

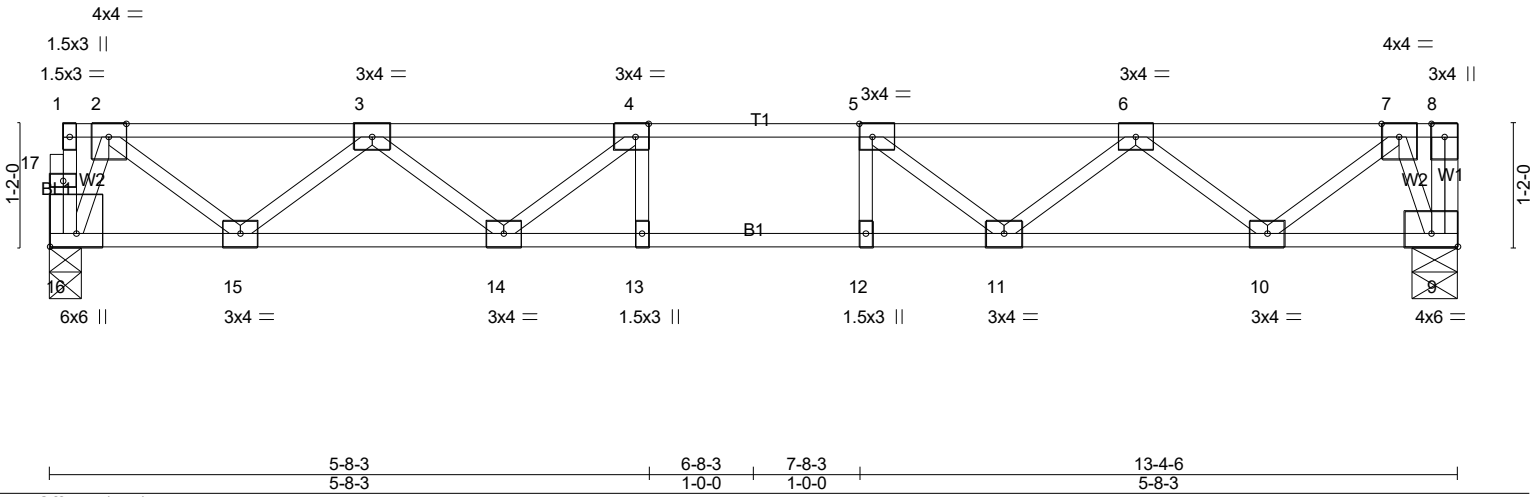
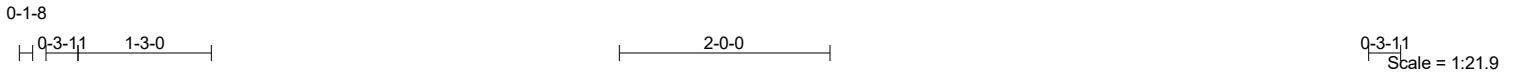


Plate Offsets (X,Y)-- [4:0-1-8,Edge], [5:0-1-8,Edge], [9:Edge,0-1-8], [16:Edge,0-3-0]					
LOADING (psf)	SPACING- 2-0-0	CSI.	DEFL. in (loc) l/defl L/d	PLATES	GRIP
TCLL 40.0	Plate Grip DOL 1.00	TC 0.31	Vert(LL) -0.11 11-12 >999 480	MT20	244/190
TCDL 10.0	Lumber DOL 1.00	BC 0.62	Vert(CT) -0.14 11-12 >999 360		
BCLL 0.0	Rep Stress Incr YES	WB 0.41	Horz(CT) 0.03 9 n/a n/a		
BCDL 5.0	Code IRC2021/TPI2014	Matrix-SH			Weight: 69 lb FT = 20%F, 11%E

LUMBER-
TOP CHORD 2x4 SP No.1(flat)
BOT CHORD 2x4 SP No.1(flat)
WEBS 2x4 SP No.3(flat)

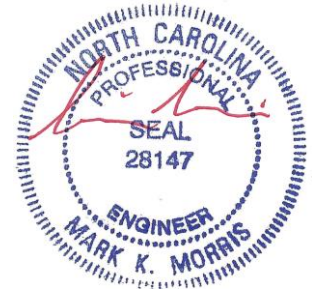
BRACING-
TOP CHORD Structural wood sheathing directly applied or 6-0-0 oc purlins, except end verticals.
BOT CHORD Rigid ceiling directly applied or 10-0-0 oc bracing.

REACTIONS. (lb/size) 16=715/0-3-8 (min. 0-1-8), 9=721/0-5-4 (min. 0-1-8)

FORCES. (lb) - Max. Comp./Max. Ten. - All forces 250 (lb) or less except when shown.
TOP CHORD 2-3=-987/0, 3-4=-1937/0, 4-5=-2244/0, 5-6=-1937/0, 6-7=-987/0
BOT CHORD 15-16=0/326, 14-15=0/1621, 13-14=0/2244, 12-13=0/2244, 11-12=0/2244, 10-11=0/1621, 9-10=0/326
WEBS 4-14=-524/0, 3-14=0/437, 3-15=-825/0, 2-15=0/861, 2-16=-864/0, 5-11=-524/0, 6-11=0/437, 6-10=-825/0, 7-10=0/861, 7-9=-851/0

NOTES- (4)
1) Unbalanced floor live loads have been considered for this design.
2) Recommend 2x6 strongbacks, on edge, spaced at 10-0-0 oc and fastened to each truss with 3-10d (0.131" X 3") nails. Strongbacks to be attached to walls at their outer ends or restrained by other means.
3) CAUTION. Do not erect truss backwards.

LOAD CASE(S) Standard



3/18/2024

Warning!—Verify design parameters and read notes before use. This design is based only upon parameters shown, and is for an individual building component to be installed and loaded vertically. Applicability of design parameters and proper incorporation of component is responsibility of building designer – not truss designer or truss engineer. Bracing shown is for lateral support of individual web members only. Additional temporary bracing to ensure stability during construction is the responsibility of the erector. Additional permanent bracing of the overall structure is the responsibility of the building designer. For general guidance regarding fabrication, quality control, storage, delivery, erection and bracing, consult ANSI/TPI 1 *National Design Standard for Metal Plate Connected Wood Truss Construction* and BCSI 1-03 *Guide to Good Practice for Handling, Installing & Bracing of Metal Plate Connected Wood Trusses* from Truss Plate Institute, 583 D'Onofrio Drive, Madison, WI 53719.

Job 24-1220-F01	Truss F1-03	Truss Type GABLE	Qty 1	Ply 1	LOT 0.0093 BLAKE POND 150 WHIMBREL COURT LILLINGTON, NC Job Reference (optional) # 46665
--------------------	----------------	---------------------	----------	----------	---

Run: 8.430 s Feb 12 2021 Print: 8.430 s Feb 12 2021 MiTek Industries, Inc. Mon Mar 18 20:28:49 2024 Page 1
ID:fcZ0KwZoZQmeXTIMivGJ_CysCYm-oKeQPA7AfVgvcMbuHAT111XOgsX0jEr1EOAMmJzZc2y

0-1-8

Scale = 1:15.1

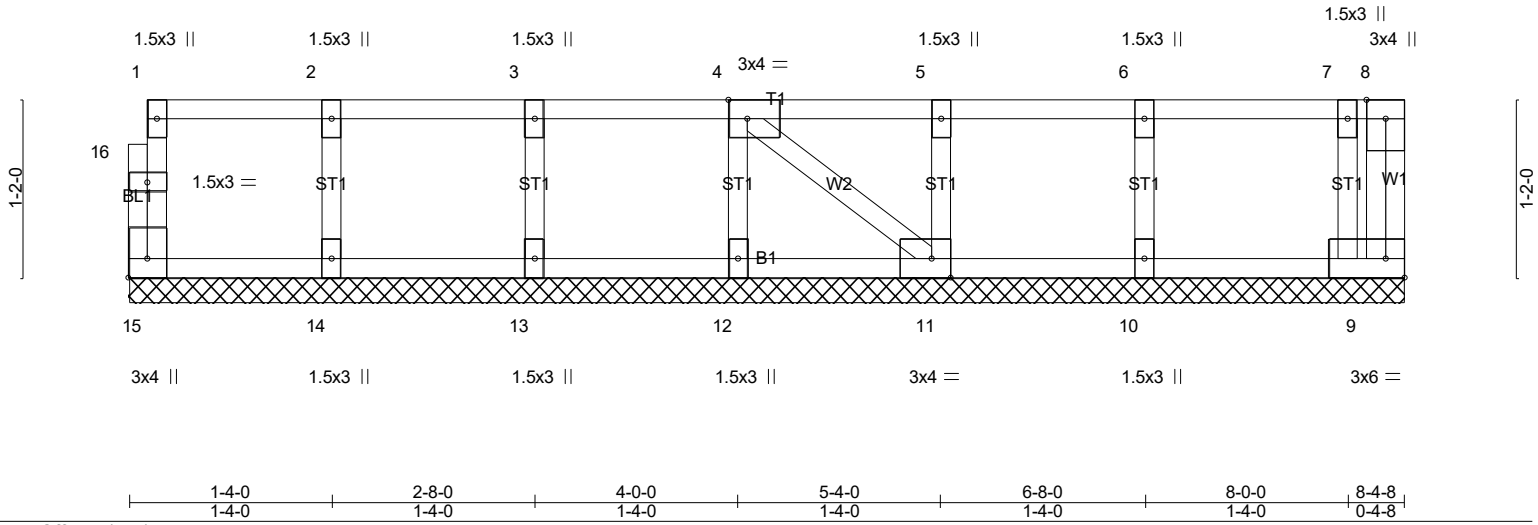


Plate Offsets (X,Y)-- [4:0-1-8,Edge], [11:0-1-8,Edge], [15:Edge,0-1-8]					
LOADING (psf)	SPACING- 2-8-0	CSI.	DEFL. in (loc) l/defl L/d	PLATES	GRIP
TCLL 40.0	Plate Grip DOL 1.00	TC 0.06	Vert(LL) n/a - n/a 999	MT20	244/190
TCDL 10.0	Lumber DOL 1.00	BC 0.01	Vert(CT) n/a - n/a 999		
BCLL 0.0	Rep Stress Incr YES	WB 0.03	Horz(CT) 0.00 9 n/a n/a		
BCDL 5.0	Code IRC2021/TPI2014	Matrix-P		Weight: 40 lb	FT = 20%F, 11%E

LUMBER-
TOP CHORD 2x4 SP No.1(flat)
BOT CHORD 2x4 SP No.1(flat)
WEBS 2x4 SP No.3(flat)
OTHERS 2x4 SP No.3(flat)

BRACING-
TOP CHORD Structural wood sheathing directly applied or 6-0-0 oc purlins, except end verticals.
BOT CHORD Rigid ceiling directly applied or 10-0-0 oc bracing.

REACTIONS. All bearings 8-4-8.
(lb) - Max Grav All reactions 250 lb or less at joint(s) 15, 9, 14, 13, 12, 11, 10

FORCES. (lb) - Max. Comp./Max. Ten. - All forces 250 (lb) or less except when shown.

- NOTES-** (6)
- Gable requires continuous bottom chord bearing.
 - Truss to be fully sheathed from one face or securely braced against lateral movement (i.e. diagonal web).
 - Gable studs spaced at 1-4-0 oc.
 - Recommend 2x6 strongbacks, on edge, spaced at 10-0-0 oc and fastened to each truss with 3-10d (0.131" X 3") nails. Strongbacks to be attached to walls at their outer ends or restrained by other means.
 - CAUTION, Do not erect truss backwards.

LOAD CASE(S) Standard



3/18/2024

Warning !—Verify design parameters and read notes before use. This design is based only upon parameters shown, and is for an individual building component to be installed and loaded vertically. Applicability of design parameters and proper incorporation of component is responsibility of building designer – not truss designer or truss engineer. Bracing shown is for lateral support of individual web members only. Additional temporary bracing to ensure stability during construction is the responsibility of the erector. Additional permanent bracing of the overall structure is the responsibility of the building designer. For general guidance regarding fabrication, quality control, storage, delivery, erection and bracing, consult ANSI/TPI 1 *National Design Standard for Metal Plate Connected Wood Truss Construction* and BCSI 1-03 *Guide to Good Practice for Handling, Installing & Bracing of Metal Plate Connected Wood Trusses* from Truss Plate Institute, 583 D'Onofrio Drive, Madison, WI 53719.

Job 24-1220-F01	Truss F1-04	Truss Type Floor	Qty 3	Ply 1	LOT 0.0093 BLAKE POND 150 WHIMBREL COURT LILLINGTON, NC Job Reference (optional) # 46665
--------------------	----------------	---------------------	----------	----------	---

Run: 8.430 s Feb 12 2021 Print: 8.430 s Feb 12 2021 MiTek Industries, Inc. Mon Mar 18 20:28:49 2024 Page 1
ID:fcZ0KwZoZQmeXTiMivGJ_CysCYm-oKeQPA7AfVgvcMbuHAT111XMKsWojCx1EOAMmjzZc2y

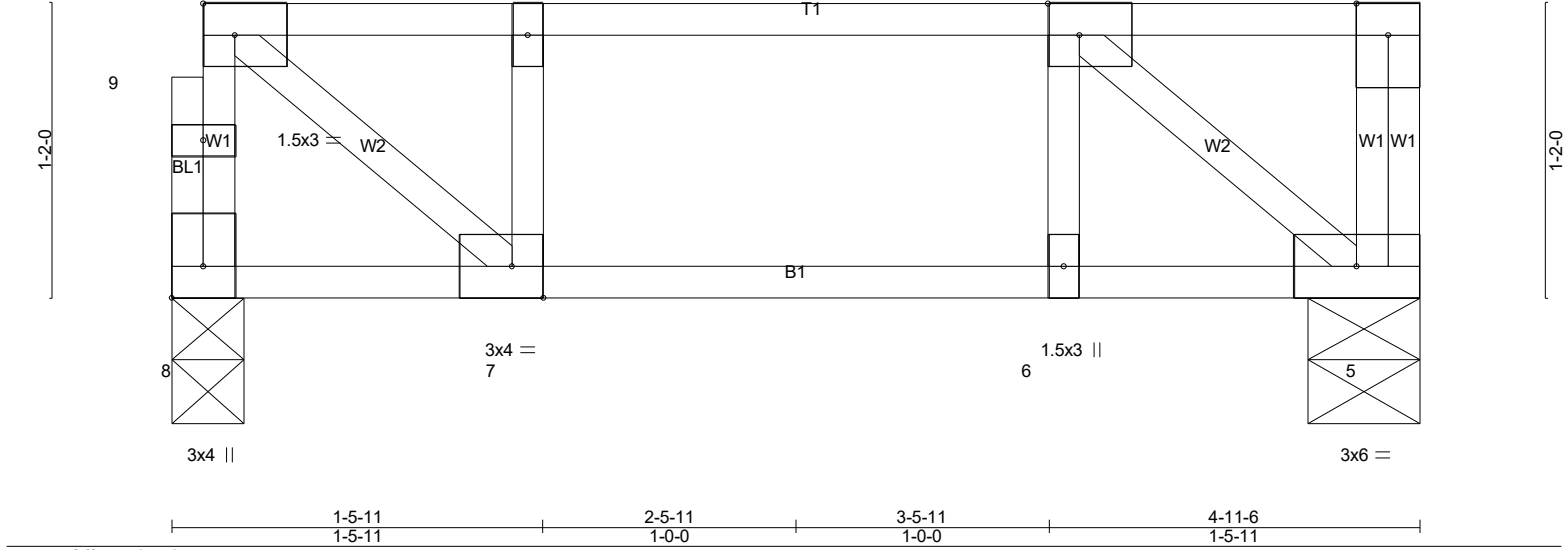


Plate Offsets (X,Y)-- [3:0-1-8,Edge], [7:0-1-8,Edge], [8:Edge,0-1-8]					
LOADING (psf)	SPACING- 2-0-0	CSI.	DEFL. in (loc) l/defl L/d	PLATES	GRIP
TCLL 40.0	Plate Grip DOL 1.00	TC 0.15	Vert(LL) -0.01 6 >999 480	MT20	244/190
TCDL 10.0	Lumber DOL 1.00	BC 0.09	Vert(CT) -0.01 6 >999 360		
BCLL 0.0	Rep Stress Incr YES	WB 0.16	Horz(CT) 0.00 5 n/a n/a		
BCDL 5.0	Code IRC2021/TPI2014	Matrix-SH		Weight: 27 lb	FT = 20%F, 11%E

LUMBER-
TOP CHORD 2x4 SP No.1(flat)
BOT CHORD 2x4 SP No.1(flat)
WEBS 2x4 SP No.3(flat)

BRACING-
TOP CHORD Structural wood sheathing directly applied or 4-11-6 oc purlins, except end verticals.
BOT CHORD Rigid ceiling directly applied or 10-0-0 oc bracing.

REACTIONS. (lb/size) 8=252/0-3-8 (min. 0-1-8), 5=258/0-5-4 (min. 0-1-8)

FORCES. (lb) - Max. Comp./Max. Ten. - All forces 250 (lb) or less except when shown.
TOP CHORD 1-2=-263/0, 2-3=-263/0
BOT CHORD 6-7=0/263, 5-6=0/263
WEBS 1-7=0/326, 3-5=-339/0

NOTES- (4)
1) Unbalanced floor live loads have been considered for this design.
2) Recommend 2x6 strongbacks, on edge, spaced at 10-0-0 oc and fastened to each truss with 3-10d (0.131" X 3") nails. Strongbacks to be attached to walls at their outer ends or restrained by other means.
3) CAUTION, Do not erect truss backwards.

LOAD CASE(S) Standard



3/18/2024

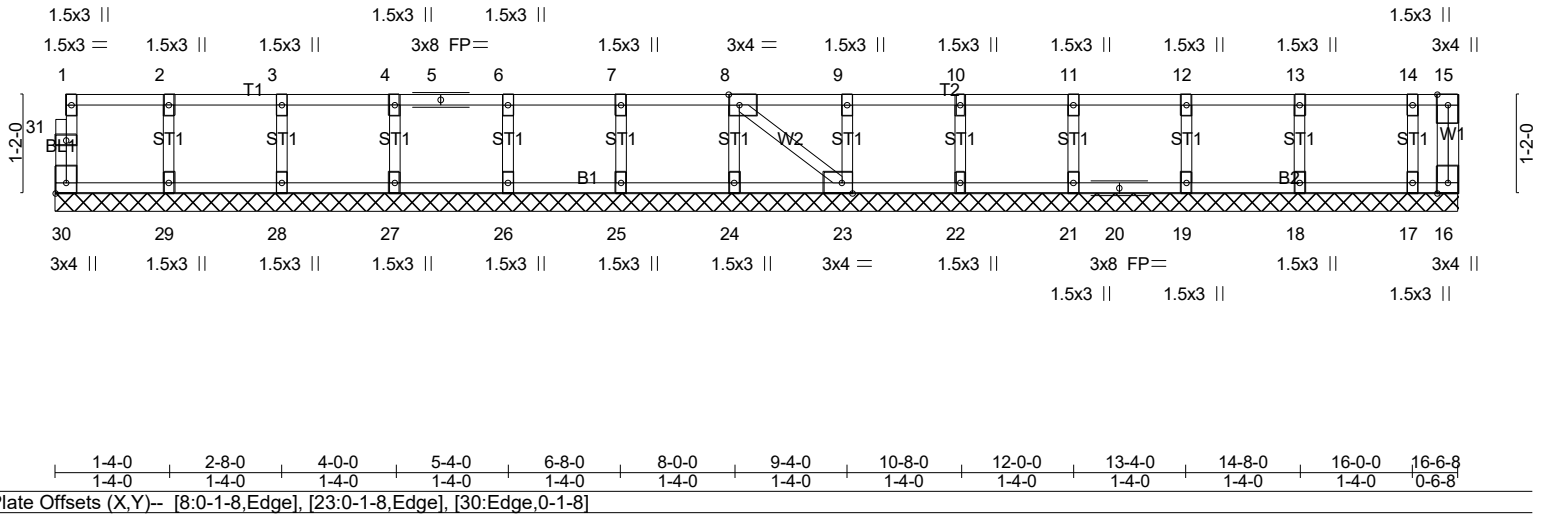
Warning !—Verify design parameters and read notes before use. This design is based only upon parameters shown, and is for an individual building component to be installed and loaded vertically. Applicability of design parameters and proper incorporation of component is responsibility of building designer – not truss designer or truss engineer. Bracing shown is for lateral support of individual web members only. Additional temporary bracing to ensure stability during construction is the responsibility of the erector. Additional permanent bracing of the overall structure is the responsibility of the building designer. For general guidance regarding fabrication, quality control, storage, delivery, erection and bracing, consult ANSI/TPI 1 *National Design Standard for Metal Plate Connected Wood Truss Construction* and BCSI 1-03 *Guide to Good Practice for Handling, Installing & Bracing of Metal Plate Connected Wood Trusses* from Truss Plate Institute, 583 D*Onofrio Drive, Madison, WI 53719.

Job	Truss	Truss Type	Qty	Ply	LOT 0.0093 BLAKE POND 150 WHIMBREL COURT LILLINGTON, NC
24-1220-F01	F1-05	GABLE	1	1	
					# 46665

Run: 8.430 s Feb 12 2021 Print: 8.430 s Feb 12 2021 MiTek Industries, Inc. Mon Mar 18 20:28:50 2024 Page 1
 ID:fcZ0KwZoZQmeXTIMivGJ_CysCYm-GWCpcW8oQoplEW94rt_GrF4YSGtkSh7AT2vvl9zZc2x

0₁-8

Scale = 1:27.2



LOADING (psf)	SPACING-	2-0-0	CSI.	DEFL.	in (loc)	l/defl	L/d	PLATES	GRIP
TCLL 40.0	Plate Grip DOL	1.00	TC 0.06	Vert(LL)	n/a	-	n/a	MT20	244/190
TCDL 10.0	Lumber DOL	1.00	BC 0.01	Vert(CT)	n/a	-	n/a		
BCLL 0.0	Rep Stress Incr	YES	WB 0.03	Horz(CT)	0.00	16	n/a		
BCDL 5.0	Code IRC2021/TPI2014		Matrix-SH						
								Weight: 73 lb	FT = 20%F, 11%E

LUMBER-
 TOP CHORD 2x4 SP No.1(flat)
 BOT CHORD 2x4 SP No.1(flat)
 WEBS 2x4 SP No.3(flat)
 OTHERS 2x4 SP No.3(flat)

BRACING-
 TOP CHORD Structural wood sheathing directly applied or 6-0-0 oc purlins, except end verticals.
 BOT CHORD Rigid ceiling directly applied or 10-0-0 oc bracing.

REACTIONS. All bearings 16-6-8.
 (lb) - Max Uplift All uplift 100 lb or less at joint(s) 16
 Max Grav All reactions 250 lb or less at joint(s) 30, 16, 29, 28, 27, 26, 25, 24, 23, 22, 21, 19, 18, 17

FORCES. (lb) - Max. Comp./Max. Ten. - All forces 250 (lb) or less except when shown.

- NOTES-** (7)
- Gable requires continuous bottom chord bearing.
 - Truss to be fully sheathed from one face or securely braced against lateral movement (i.e. diagonal web).
 - Gable studs spaced at 1-4-0 oc.
 - Provide mechanical connection (by others) of truss to bearing plate capable of withstanding 100 lb uplift at joint(s) 16.
 - Recommend 2x6 strongbacks, on edge, spaced at 10-0-0 oc and fastened to each truss with 3-10d (0.131" X 3") nails. Strongbacks to be attached to walls at their outer ends or restrained by other means.
 - CAUTION, Do not erect truss backwards.

LOAD CASE(S) Standard



3/18/2024

Warning !—Verify design parameters and read notes before use. This design is based only upon parameters shown, and is for an individual building component to be installed and loaded vertically. Applicability of design parameters and proper incorporation of component is responsibility of building designer – not truss designer or truss engineer. Bracing shown is for lateral support of individual web members only. Additional temporary bracing to ensure stability during construction is the responsibility of the erector. Additional permanent bracing of the overall structure is the responsibility of the building designer. For general guidance regarding fabrication, quality control, storage, delivery, erection and bracing, consult ANSI/TPI 1 *National Design Standard for Metal Plate Connected Wood Truss Construction* and BCSI 1-03 *Guide to Good Practice for Handling, Installing & Bracing of Metal Plate Connected Wood Trusses* from Truss Plate Institute, 583 D*Onofrio Drive, Madison, WI 53719.

Job 24-1220-F01	Truss F1-06	Truss Type Floor Supported Gable	Qty 1	Ply 1	LOT 0.0093 BLAKE POND 150 WHIMBREL COURT LILLINGTON, NC Job Reference (optional) # 46665
--------------------	----------------	-------------------------------------	----------	----------	---

Run: 8.430 s Feb 12 2021 Print: 8.430 s Feb 12 2021 MiTek Industries, Inc. Mon Mar 18 20:28:52 2024 Page 1
ID:fcZ0KwZoZQmeXTiMivGJ_CysCYm-DuJZ1CA3yQ3TTqJTyl0kkg9tn3ZnwbZTxLO0N2zZc2v

Scale = 1:28.5

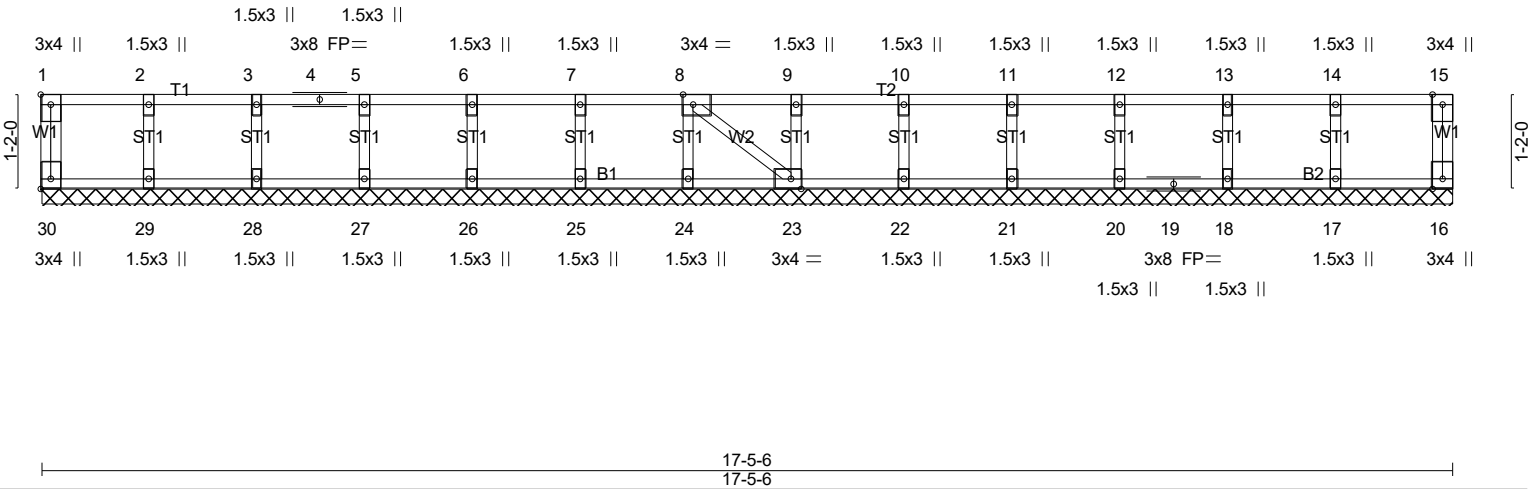


Plate Offsets (X,Y)-- [1:Edge,0-1-8], [8:0-1-8,Edge], [23:0-1-8,Edge], [30:Edge,0-1-8]

LOADING (psf)	SPACING-	2-0-0	CSI.	DEFL.	in (loc)	l/defl	L/d	PLATES	GRIP
TCLL 40.0	Plate Grip DOL	1.00	TC 0.07	Vert(LL)	n/a	-	n/a	MT20	244/190
TCDL 10.0	Lumber DOL	1.00	BC 0.01	Vert(CT)	n/a	-	n/a		
BCLL 0.0	Rep Stress Incr	YES	WB 0.03	Horz(CT)	0.00	23	n/a		
BCDL 5.0	Code IRC2021/TPI2014		Matrix-SH						
								Weight: 76 lb	FT = 20%F, 11%E

LUMBER-
TOP CHORD 2x4 SP No.1(flat)
BOT CHORD 2x4 SP No.1(flat)
WEBS 2x4 SP No.3(flat)
OTHERS 2x4 SP No.3(flat)

BRACING-
TOP CHORD Structural wood sheathing directly applied or 10-0-0 oc purlins, except end verticals.
BOT CHORD Rigid ceiling directly applied or 10-0-0 oc bracing.

REACTIONS. All bearings 17-5-6.
(lb) - Max Grav All reactions 250 lb or less at joint(s) 30, 16, 29, 28, 27, 26, 25, 24, 23, 22, 21, 20, 18, 17

FORCES. (lb) - Max. Comp./Max. Ten. - All forces 250 (lb) or less except when shown.

NOTES- (5)
1) Gable requires continuous bottom chord bearing.
2) Truss to be fully sheathed from one face or securely braced against lateral movement (i.e. diagonal web).
3) Gable studs spaced at 1-4-0 oc.
4) Recommend 2x6 strongbacks, on edge, spaced at 10-0-0 oc and fastened to each truss with 3-10d (0.131" X 3") nails. Strongbacks to be attached to walls at their outer ends or restrained by other means.

LOAD CASE(S) Standard

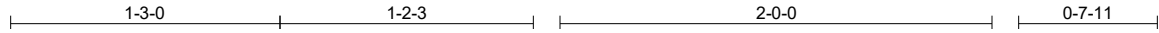


3/18/2024

Warning !—Verify design parameters and read notes before use. This design is based only upon parameters shown, and is for an individual building component to be installed and loaded vertically. Applicability of design parameters and proper incorporation of component is responsibility of building designer – not truss designer or truss engineer. Bracing shown is for lateral support of individual web members only. Additional temporary bracing to ensure stability during construction is the responsibility of the erector. Additional permanent bracing of the overall structure is the responsibility of the building designer. For general guidance regarding fabrication, quality control, storage, delivery, erection and bracing, consult ANSI/TPI 1 *National Design Standard for Metal Plate Connected Wood Truss Construction* and BCSI 1-03 *Guide to Good Practice for Handling, Installing & Bracing of Metal Plate Connected Wood Trusses* from Truss Plate Institute, 583 D'Onofrio Drive, Madison, WI 53719.

Job 24-1220-F01	Truss F1-08	Truss Type Floor	Qty 1	Ply 1	LOT 0.0093 BLAKE POND 150 WHIMBREL COURT LILLINGTON, NC Job Reference (optional) # 46665
--------------------	----------------	---------------------	----------	----------	---

Run: 8.430 s Feb 12 2021 Print: 8.430 s Feb 12 2021 MiTek Industries, Inc. Mon Mar 18 20:28:54 2024 Page 1
ID:fcZ0KwZoZQmeXTiMivGJ_CysCYm-9HRJSuBJU1JBi8Tr4j3D?5FBStAhOU2mOf7RxxZc2t



Scale = 1:10.7

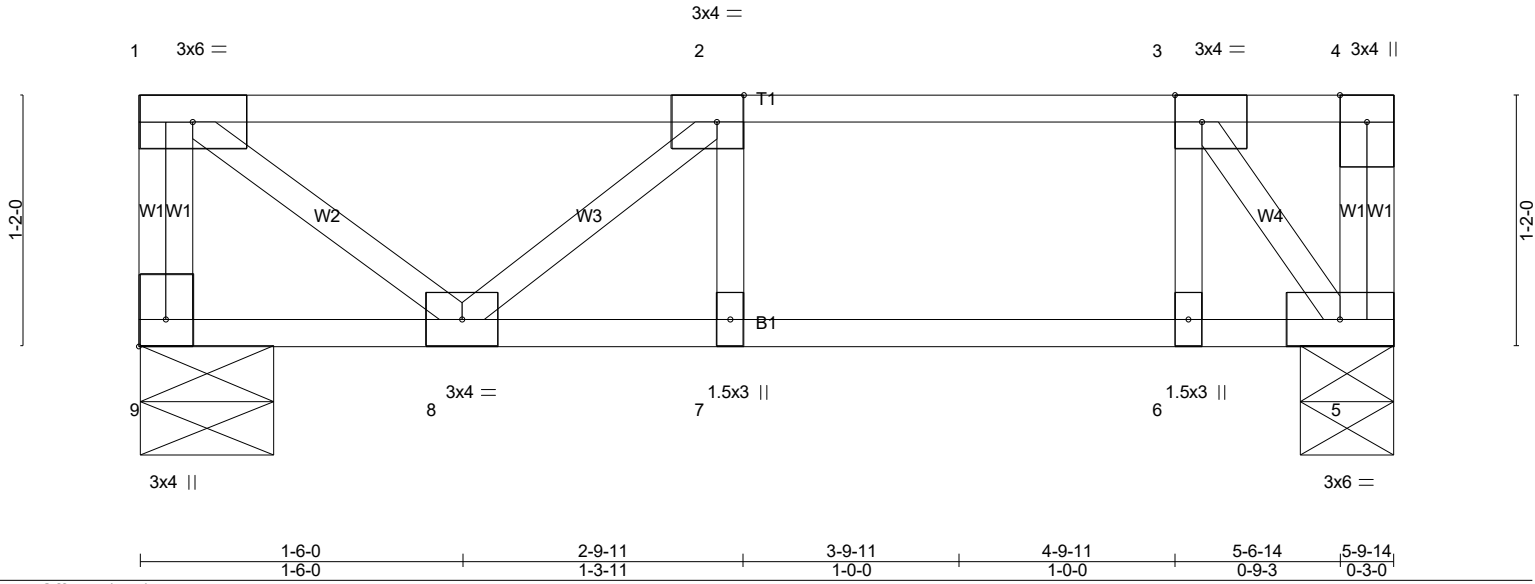


Plate Offsets (X,Y)-- [2:0-1-8,Edge], [3:0-1-8,Edge], [9:Edge,0-1-8]

LOADING (psf)	SPACING-	1-4-0	CSI.	DEFL.	in	(loc)	l/defl	L/d	PLATES	GRIP
TCLL 40.0	Plate Grip DOL	1.00	TC 0.25	Vert(LL)	-0.03	7	>999	480	MT20	244/190
TCDL 10.0	Lumber DOL	1.00	BC 0.30	Vert(CT)	-0.04	7	>999	360		
BCLL 0.0	Rep Stress Incr	YES	WB 0.10	Horz(CT)	0.00	5	n/a	n/a		
BCDL 5.0	Code IRC2021/TPI2014		Matrix-SH						Weight: 32 lb	FT = 20%F, 11%E

LUMBER-
TOP CHORD 2x4 SP No.1(flat)
BOT CHORD 2x4 SP No.1(flat)
WEBS 2x4 SP No.3(flat)

BRACING-
TOP CHORD Structural wood sheathing directly applied or 5-9-14 oc purlins, except end verticals.
BOT CHORD Rigid ceiling directly applied or 10-0-0 oc bracing.

REACTIONS. (lb/size) 9=204/0-7-8 (min. 0-1-8), 5=204/0-5-4 (min. 0-1-8)

FORCES. (lb) - Max. Comp./Max. Ten. - All forces 250 (lb) or less except when shown.
WEBS 3-5=-387/0

NOTES- (3)
1) Unbalanced floor live loads have been considered for this design.
2) Recommend 2x6 strongbacks, on edge, spaced at 10-0-0 oc and fastened to each truss with 3-10d (0.131" X 3") nails. Strongbacks to be attached to walls at their outer ends or restrained by other means.

LOAD CASE(S) Standard



3/18/2024

Warning !—Verify design parameters and read notes before use. This design is based only upon parameters shown, and is for an individual building component to be installed and loaded vertically. Applicability of design parameters and proper incorporation of component is responsibility of building designer – not truss designer or truss engineer. Bracing shown is for lateral support of individual web members only. Additional temporary bracing to ensure stability during construction is the responsibility of the erector. Additional permanent bracing of the overall structure is the responsibility of the building designer. For general guidance regarding fabrication, quality control, storage, delivery, erection and bracing, consult ANSI/TPI 1 *National Design Standard for Metal Plate Connected Wood Truss Construction* and BCSI 1-03 *Guide to Good Practice for Handling, Installing & Bracing of Metal Plate Connected Wood Trusses* from Truss Plate Institute, 583 D'Onofrio Drive, Madison, WI 53719.

Job 24-1220-F01	Truss F1-10	Truss Type GABLE	Qty 1	Ply 1	LOT 0.0093 BLAKE POND 150 WHIMBREL COURT LILLINGTON, NC Job Reference (optional) # 46665
--------------------	----------------	---------------------	----------	----------	---

Run: 8.430 s Feb 12 2021 Print: 8.430 s Feb 12 2021 MiTek Industries, Inc. Mon Mar 18 20:28:55 2024 Page 1
ID:fcZ0KwZoZQmeXTIMivGJ_CysCYm-dT?igECxFLR2KH22dQaSYInP9HaP7yKvdJdg_NzZc2s

0-1-8

Scale = 1:13.0

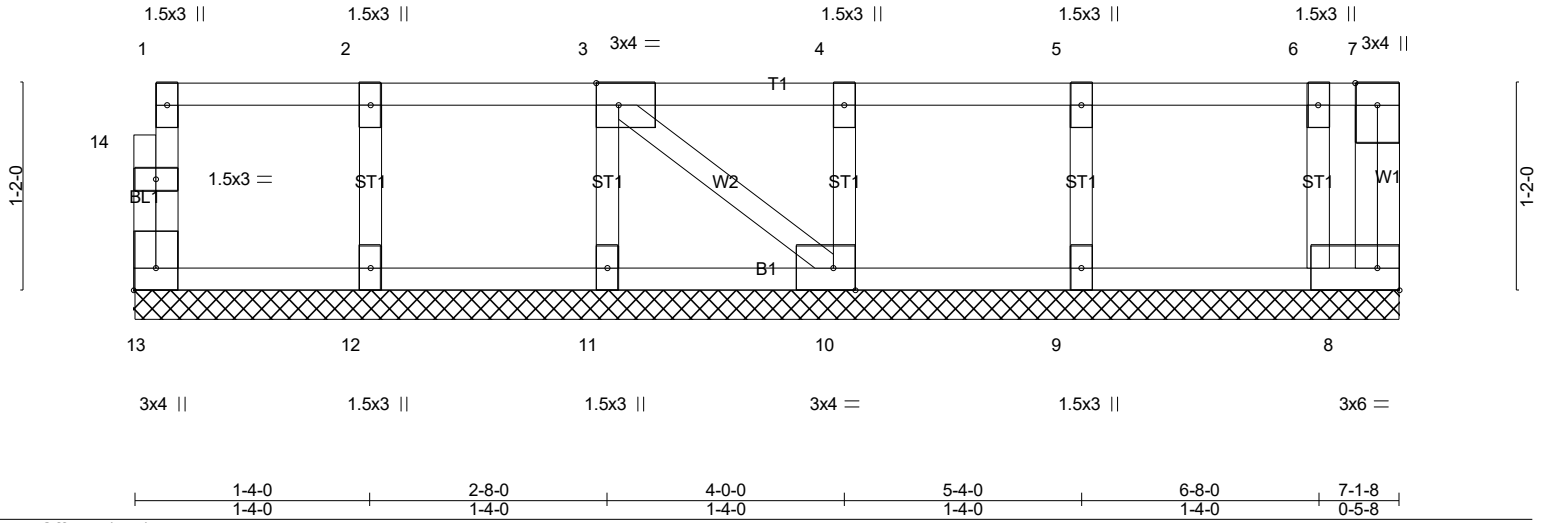


Plate Offsets (X,Y)-- [3:0-1-8,Edge], [10:0-1-8,Edge], [13:Edge,0-1-8]

LOADING (psf)	SPACING-	2-0-0	CSI.	DEFL.	in	(loc)	l/defl	L/d	PLATES	GRIP
TCLL 40.0	Plate Grip DOL	1.00	TC 0.06	Vert(LL)	n/a	-	n/a	999	MT20	244/190
TCDL 10.0	Lumber DOL	1.00	BC 0.01	Vert(CT)	n/a	-	n/a	999		
BCLL 0.0	Rep Stress Incr	YES	WB 0.03	Horz(CT)	0.00	8	n/a	n/a		
BCDL 5.0	Code IRC2021/TPI2014		Matrix-P						Weight: 35 lb	FT = 20%F, 11%E

LUMBER-
TOP CHORD 2x4 SP No.1(flat)
BOT CHORD 2x4 SP No.1(flat)
WEBS 2x4 SP No.3(flat)
OTHERS 2x4 SP No.3(flat)

BRACING-
TOP CHORD Structural wood sheathing directly applied or 6-0-0 oc purlins, except end verticals.
BOT CHORD Rigid ceiling directly applied or 10-0-0 oc bracing.

REACTIONS. All bearings 7-1-8.
(lb) - Max Grav All reactions 250 lb or less at joint(s) 13, 8, 12, 11, 10, 9

FORCES. (lb) - Max. Comp./Max. Ten. - All forces 250 (lb) or less except when shown.

- NOTES-** (6)
- Gable requires continuous bottom chord bearing.
 - Truss to be fully sheathed from one face or securely braced against lateral movement (i.e. diagonal web).
 - Gable studs spaced at 1-4-0 oc.
 - Recommend 2x6 strongbacks, on edge, spaced at 10-0-0 oc and fastened to each truss with 3-10d (0.131" X 3") nails. Strongbacks to be attached to walls at their outer ends or restrained by other means.
 - CAUTION, Do not erect truss backwards.

LOAD CASE(S) Standard



3/18/2024

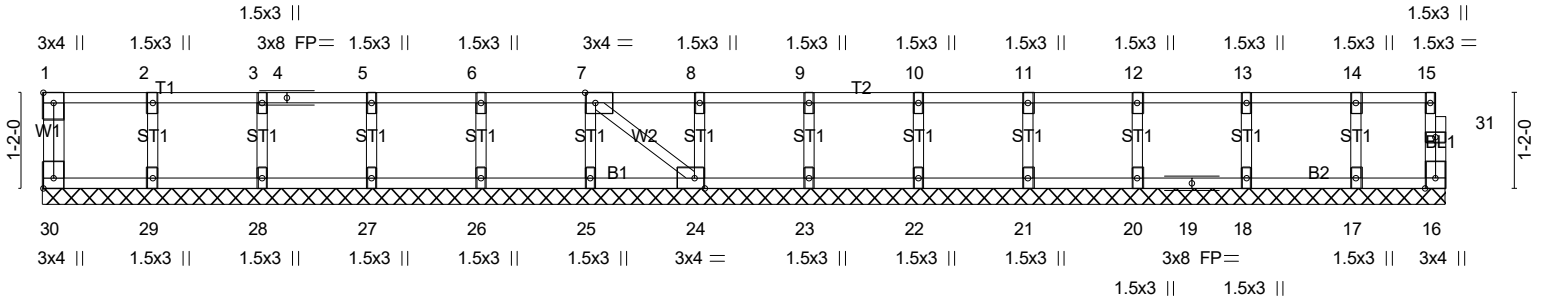
Warning !—Verify design parameters and read notes before use. This design is based only upon parameters shown, and is for an individual building component to be installed and loaded vertically. Applicability of design parameters and proper incorporation of component is responsibility of building designer – not truss designer or truss engineer. Bracing shown is for lateral support of individual web members only. Additional temporary bracing to ensure stability during construction is the responsibility of the erector. Additional permanent bracing of the overall structure is the responsibility of the building designer. For general guidance regarding fabrication, quality control, storage, delivery, erection and bracing, consult ANSI/TPI 1 *National Design Standard for Metal Plate Connected Wood Truss Construction* and BCSI 1-03 *Guide to Good Practice for Handling, Installing & Bracing of Metal Plate Connected Wood Trusses* from Truss Plate Institute, 583 D'Onofrio Drive, Madison, WI 53719.

Job 24-1220-F01	Truss F1-11	Truss Type GABLE	Qty 1	Ply 1	LOT 0.0093 BLAKE POND 150 WHIMBREL COURT LILLINGTON, NC Job Reference (optional) # 46665
--------------------	----------------	---------------------	----------	----------	---

Run: 8.430 s Feb 12 2021 Print: 8.430 s Feb 12 2021 MiTek Industries, Inc. Mon Mar 18 20:28:56 2024 Page 1
ID:fcZ0KwZoZQmeXTiMivGJ_CysCYm-5gZ4taDZ?eZvyRdEB85h4WKavhwksOb2szMDWpzZc2r

0₁-8

Scale = 1:28.1



1-4-0	2-8-0	4-0-0	5-4-0	6-8-0	8-0-0	9-4-0	10-8-0	12-0-0	13-4-0	14-8-0	16-0-0	17-1-2
1-4-0	1-4-0	1-4-0	1-4-0	1-4-0	1-4-0	1-4-0	1-4-0	1-4-0	1-4-0	1-4-0	1-4-0	1-1-2

Plate Offsets (X,Y)-- [1:Edge,0-1-8], [7:0-1-8,Edge], [24:0-1-8,Edge], [30:Edge,0-1-8]

LOADING (psf)	SPACING-	2-0-0	CSI.	DEFL.	in (loc)	l/defl	L/d	PLATES	GRIP
TCLL 40.0	Plate Grip DOL	1.00	TC 0.06	Vert(LL)	n/a	-	n/a	MT20	244/190
TCDL 10.0	Lumber DOL	1.00	BC 0.01	Vert(CT)	n/a	-	n/a		
BCLL 0.0	Rep Stress Incr	YES	WB 0.03	Horz(CT)	0.00	16	n/a		
BCDL 5.0	Code IRC2021/TPI2014		Matrix-SH						
								Weight: 74 lb	FT = 20%F, 11%E

LUMBER-	BRACING-
TOP CHORD 2x4 SP No.1(flat)	TOP CHORD Structural wood sheathing directly applied or 6-0-0 oc purlins, except end verticals.
BOT CHORD 2x4 SP No.1(flat)	BOT CHORD Rigid ceiling directly applied or 10-0-0 oc bracing.
WEBS 2x4 SP No.3(flat)	
OTHERS 2x4 SP No.3(flat)	

REACTIONS. All bearings 17-1-2.
(lb) - Max Grav All reactions 250 lb or less at joint(s) 30, 16, 29, 28, 27, 26, 25, 24, 23, 22, 21, 20, 18, 17

FORCES. (lb) - Max. Comp./Max. Ten. - All forces 250 (lb) or less except when shown.

- NOTES-** (6)
- Gable requires continuous bottom chord bearing.
 - Truss to be fully sheathed from one face or securely braced against lateral movement (i.e. diagonal web).
 - Gable studs spaced at 1-4-0 oc.
 - Recommend 2x6 strongbacks, on edge, spaced at 10-0-0 oc and fastened to each truss with 3-10d (0.131" X 3") nails. Strongbacks to be attached to walls at their outer ends or restrained by other means.
 - CAUTION. Do not erect truss backwards.

LOAD CASE(S) Standard

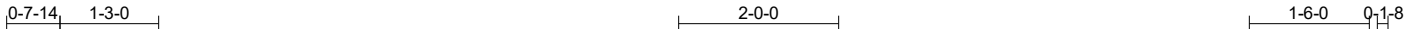


3/18/2024

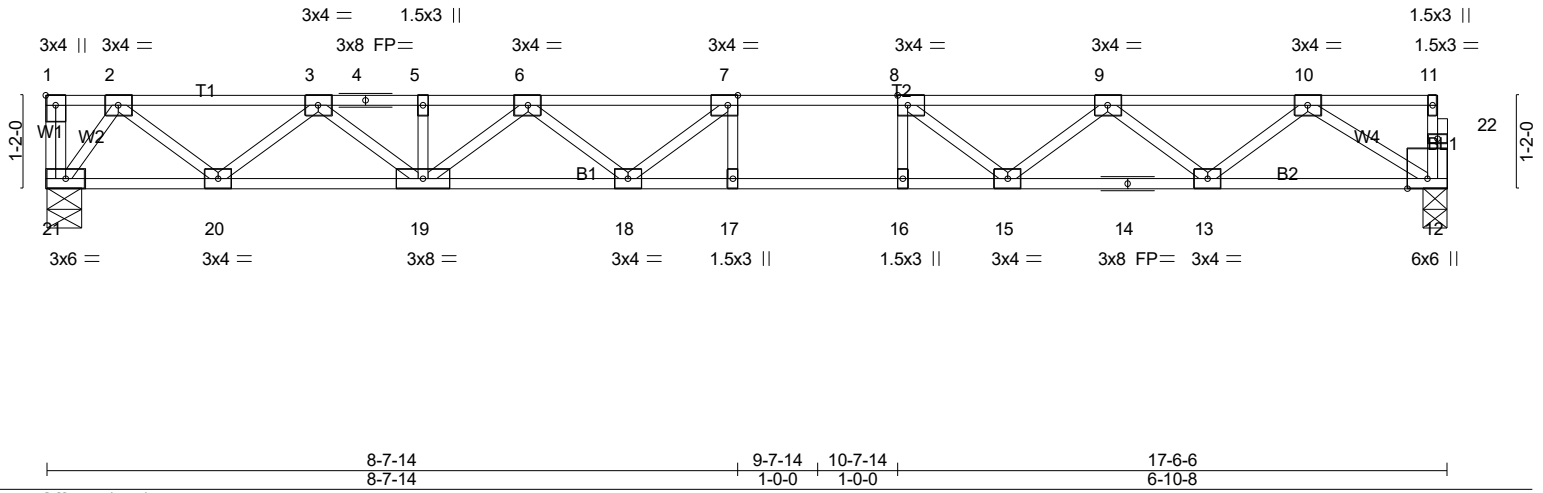
Warning !—Verify design parameters and read notes before use. This design is based only upon parameters shown, and is for an individual building component to be installed and loaded vertically. Applicability of design parameters and proper incorporation of component is responsibility of building designer – not truss designer or truss engineer. Bracing shown is for lateral support of individual web members only. Additional temporary bracing to ensure stability during construction is the responsibility of the erector. Additional permanent bracing of the overall structure is the responsibility of the building designer. For general guidance regarding fabrication, quality control, storage, delivery, erection and bracing, consult ANSI/TPI 1 *National Design Standard for Metal Plate Connected Wood Truss Construction* and BCSI 1-03 *Guide to Good Practice for Handling, Installing & Bracing of Metal Plate Connected Wood Trusses* from Truss Plate Institute, 583 D'Onofrio Drive, Madison, WI 53719.

Job 24-1220-F01	Truss F1-12	Truss Type Floor	Qty 7	Ply 1	LOT 0.0093 BLAKE POND 150 WHIMBREL COURT LILLINGTON, NC Job Reference (optional) # 46665
--------------------	----------------	---------------------	----------	----------	---

Run: 8.430 s Feb 12 2021 Print: 8.430 s Feb 12 2021 MiTek Industries, Inc. Mon Mar 18 20:28:57 2024 Page 1
ID:fcZ0KwZoZQmeXTiMivGJ_CysCYm-Zs7S4wEBmyhmZbCQlrcwdjtgg44jbmfc4d6n2FzZc2q



Scale = 1:28.8



LOADING (psf)	SPACING-	CSI.	DEFL.	PLATES	GRIP
TCLL 40.0	1-4-0	TC 0.37	in (loc) l/defl L/d	MT20	244/190
TCDL 10.0	Plate Grip DOL 1.00	BC 0.79	Vert(LL) -0.20 17-18 >999 480		
BCLL 0.0	Lumber DOL 1.00	WB 0.36	Vert(CT) -0.28 17-18 >745 360		
BCDL 5.0	Rep Stress Incr YES	Matrix-SH	Horz(CT) 0.04 12 n/a n/a		
	Code IRC2021/TPI2014			Weight: 89 lb	FT = 20%F, 11%E

LUMBER-
TOP CHORD 2x4 SP No.1(flat)
BOT CHORD 2x4 SP No.1(flat)
WEBS 2x4 SP No.3(flat)

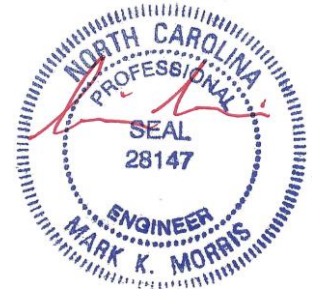
BRACING-
TOP CHORD Structural wood sheathing directly applied or 6-0-0 oc purlins, except end verticals.
BOT CHORD Rigid ceiling directly applied or 10-0-0 oc bracing.

REACTIONS. (lb/size) 21=634/0-5-4 (min. 0-1-8), 12=629/0-3-8 (min. 0-1-8)

FORCES. (lb) - Max. Comp./Max. Ten. - All forces 250 (lb) or less except when shown.
TOP CHORD 2-3=-1067/0, 3-4=-2040/0, 4-5=-2040/0, 5-6=-2040/0, 6-7=-2516/0, 7-8=-2578/0, 8-9=-2226/0, 9-10=-1436/0
BOT CHORD 20-21=0/478, 19-20=0/1635, 18-19=0/2392, 17-18=0/2578, 16-17=0/2578, 15-16=0/2578, 14-15=0/1926, 13-14=0/1926,
12-13=0/916
WEBS 7-18=-306/127, 6-18=0/266, 6-19=-450/0, 3-19=0/517, 3-20=-739/0, 2-20=0/766, 8-15=-558/0, 9-15=0/421,
9-13=-639/0, 10-13=0/677, 10-12=-1085/0, 2-21=-797/0

NOTES- (4)
1) Unbalanced floor live loads have been considered for this design.
2) Recommend 2x6 strongbacks, on edge, spaced at 10-0-0 oc and fastened to each truss with 3-10d (0.131" X 3") nails. Strongbacks to be attached to walls at their outer ends or restrained by other means.
3) CAUTION, Do not erect truss backwards.

LOAD CASE(S) Standard

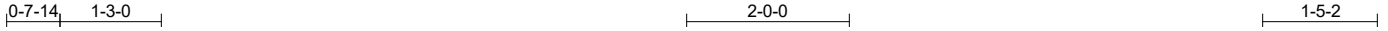


3/18/2024

Warning !—Verify design parameters and read notes before use. This design is based only upon parameters shown, and is for an individual building component to be installed and loaded vertically. Applicability of design parameters and proper incorporation of component is responsibility of building designer – not truss designer or truss engineer. Bracing shown is for lateral support of individual web members only. Additional temporary bracing to ensure stability during construction is the responsibility of the erector. Additional permanent bracing of the overall structure is the responsibility of the building designer. For general guidance regarding fabrication, quality control, storage, delivery, erection and bracing, consult ANSI/TPI 1 *National Design Standard for Metal Plate Connected Wood Truss Construction* and BCSI 1-03 *Guide to Good Practice for Handling, Installing & Bracing of Metal Plate Connected Wood Trusses* from Truss Plate Institute, 583 D'Onofrio Drive, Madison, WI 53719.

Job 24-1220-F01	Truss F1-13	Truss Type Floor	Qty 5	Ply 1	LOT 0.0093 BLAKE POND 150 WHIMBREL COURT LILLINGTON, NC Job Reference (optional) # 46665
--------------------	----------------	---------------------	----------	----------	---

Run: 8.430 s Feb 12 2021 Print: 8.430 s Feb 12 2021 MiTek Industries, Inc. Mon Mar 18 20:28:58 2024 Page 1
ID:fcZ0KwZoZQmeXTiMivGj_CysCYm-12hqlFEqXGpdBlndJZ79AxPrYUQwKdVlJHrKaizZc2p



Scale = 1:28.5

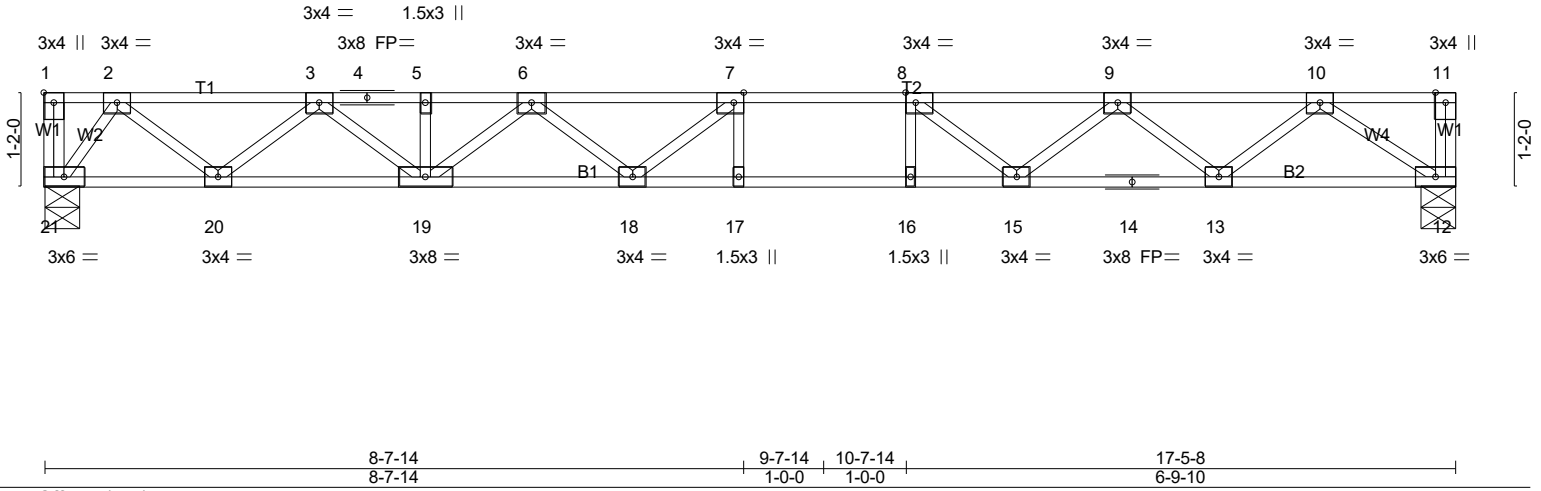


Plate Offsets (X,Y)-- [1:Edge,0-1-8], [7:0-1-8,Edge], [8:0-1-8,Edge]

LOADING (psf)	SPACING-	CSI.	DEFL.	in (loc)	l/defl	L/d	PLATES	GRIP
TCLL 40.0	1-4-0	TC 0.37	Vert(LL)	-0.20	17-18	>999	MT20	244/190
TCDL 10.0	Plate Grip DOL 1.00	BC 0.79	Vert(CT)	-0.28	17-18	>748		
BCLL 0.0	Lumber DOL 1.00	WB 0.36	Horz(CT)	0.04	12	n/a		
BCDL 5.0	Rep Stress Incr YES	Matrix-SH						
	Code IRC2021/TPI2014						Weight: 89 lb	FT = 20%F, 11%E

LUMBER-
TOP CHORD 2x4 SP No.1(flat)
BOT CHORD 2x4 SP No.1(flat)
WEBS 2x4 SP No.3(flat)

BRACING-
TOP CHORD Structural wood sheathing directly applied or 6-0-0 oc purlins, except end verticals.
BOT CHORD Rigid ceiling directly applied or 10-0-0 oc bracing.

REACTIONS. (lb/size) 21=631/0-5-4 (min. 0-1-8), 12=631/0-5-4 (min. 0-1-8)

FORCES. (lb) - Max. Comp./Max. Ten. - All forces 250 (lb) or less except when shown.
TOP CHORD 2-3=-1062/0, 3-4=-2028/0, 4-5=-2028/0, 5-6=-2028/0, 6-7=-2498/0, 7-8=-2553/0, 8-9=-2196/0, 9-10=-1399/0
BOT CHORD 20-21=0/476, 19-20=0/1626, 18-19=0/2377, 17-18=0/2553, 16-17=0/2553, 15-16=0/2553, 14-15=0/1892, 13-14=0/1892,
12-13=0/876
WEBS 7-18=-299/131, 6-18=0/262, 6-19=-446/0, 3-19=0/513, 3-20=-735/0, 2-20=0/762, 8-15=-562/0, 9-15=0/424,
9-13=-642/0, 10-13=0/680, 10-12=-1055/0, 2-21=-794/0

NOTES- (3)
1) Unbalanced floor live loads have been considered for this design.
2) Recommend 2x6 strongbacks, on edge, spaced at 10-0-0 oc and fastened to each truss with 3-10d (0.131" X 3") nails. Strongbacks to be attached to walls at their outer ends or restrained by other means.

LOAD CASE(S) Standard



3/18/2024

Warning !—Verify design parameters and read notes before use. This design is based only upon parameters shown, and is for an individual building component to be installed and loaded vertically. Applicability of design parameters and proper incorporation of component is responsibility of building designer – not truss designer or truss engineer. Bracing shown is for lateral support of individual web members only. Additional temporary bracing to ensure stability during construction is the responsibility of the erector. Additional permanent bracing of the overall structure is the responsibility of the building designer. For general guidance regarding fabrication, quality control, storage, delivery, erection and bracing, consult ANSI/TPI 1 *National Design Standard for Metal Plate Connected Wood Truss Construction* and BCSI 1-03 *Guide to Good Practice for Handling, Installing & Bracing of Metal Plate Connected Wood Trusses* from Truss Plate Institute, 583 D*Onofrio Drive, Madison, WI 53719.

Job	Truss	Truss Type	Qty	Ply	LOT 0.0093 BLAKE POND 150 WHIMBREL COURT LILLINGTON, NC
24-1220-F01	F1-13A	Floor	2	1	Job Reference (optional) # 46665

Run: 8.430 s Feb 12 2021 Print: 8.430 s Feb 12 2021 MiTek Industries, Inc. Mon Mar 18 20:29:00 2024 Page 2
ID:fcZ0KwZoZQmeXTIMivGJ_CysCYm-_RobjxG43t3LQ3w?Q_AdFMV5Ll6no0jembKRfazzZc2n

LOAD CASE(S) Standard

4) 2nd chase Dead + Floor Live (unbalanced): Lumber Increase=1.00, Plate Increase=1.00

Uniform Loads (plf)

Vert: 11-21=-7, 1-6=-13, 6-10=-67

Concentrated Loads (lb)

Vert: 2=-1000

5) 3rd chase Dead: Lumber Increase=1.00, Plate Increase=1.00

Uniform Loads (plf)

Vert: 11-21=-7, 1-7=-67, 7-10=-13

Concentrated Loads (lb)

Vert: 2=-1000

6) 4th chase Dead: Lumber Increase=1.00, Plate Increase=1.00

Uniform Loads (plf)

Vert: 11-21=-7, 1-6=-13, 6-10=-67

Concentrated Loads (lb)

Vert: 2=-1000



3/18/2024

Warning !—Verify design parameters and read notes before use. This design is based only upon parameters shown, and is for an individual building component to be installed and loaded vertically. Applicability of design parameters and proper incorporation of component is responsibility of building designer – not truss designer or truss engineer. Bracing shown is for lateral support of individual web members only. Additional temporary bracing to ensure stability during construction is the responsibility of the erector. Additional permanent bracing of the overall structure is the responsibility of the building designer. For general guidance regarding fabrication, quality control, storage, delivery, erection and bracing, consult ANSI/TPI 1 *National Design Standard for Metal Plate Connected Wood Truss Construction* and BCSI 1-03 *Guide to Good Practice for Handling, Installing & Bracing of Metal Plate Connected Wood Trusses* from Truss Plate Institute, 583 D*Onofrio Drive, Madison, WI 53719.

Job	Truss	Truss Type	Qty	Ply	LOT 0.0093 BLAKE POND 150 WHIMBREL COURT LILLINGTON, NC
24-1220-F01	F1-14	Floor	3	1	
Job Reference (optional)					# 46665

Run: 8.430 s Feb 12 2021 Print: 8.430 s Feb 12 2021 MiTek Industries, Inc. Mon Mar 18 20:29:01 2024 Page 1
 ID:fcZ0KwZoZQmeXTIMivGJ_CysCYm-SdMzWHHiqBBC2CVC_hhsnZ1JziQxXWro?F4_B1zZc2m

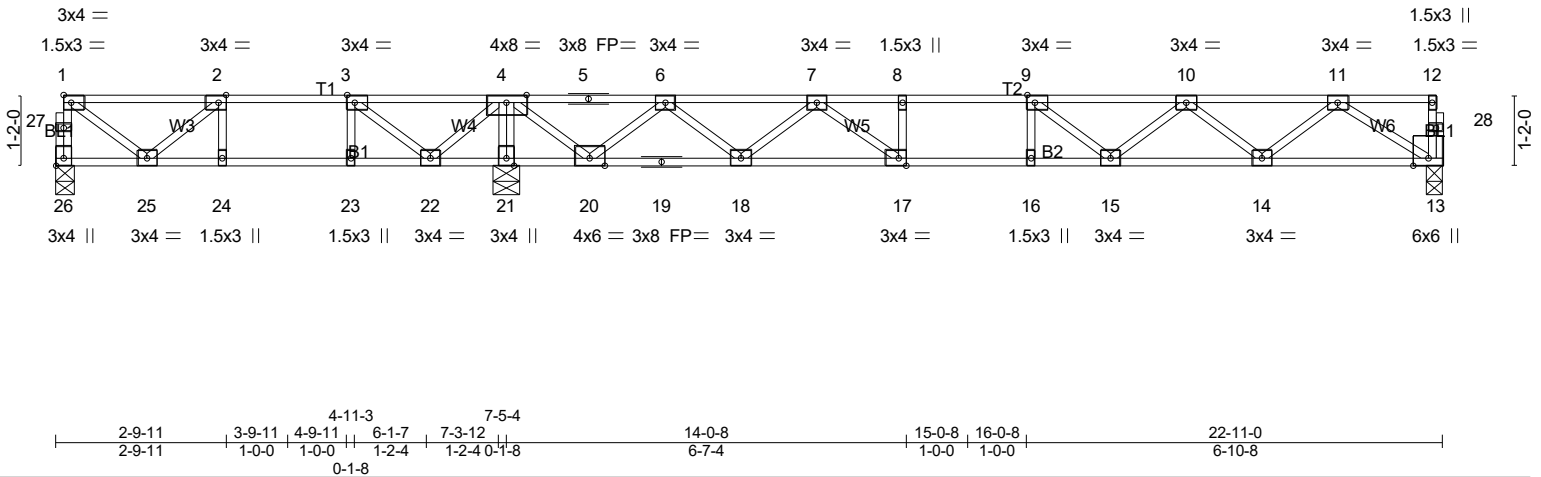


Plate Offsets (X,Y)-- [2:0-1-8,Edge], [3:0-1-8,Edge], [9:0-1-8,Edge], [17:0-1-8,Edge], [26:Edge,0-1-8]

LOADING (psf)	SPACING-	CSI.	DEFL.	PLATES	GRIP
TCLL 40.0	2-0-0	TC 0.51	in (loc) l/defl L/d	MT20	244/190
TCDL 10.0	Plate Grip DOL 1.00	BC 0.84	Vert(LL) -0.17 15-16 >999 480		
BCLL 0.0	Lumber DOL 1.00	WB 0.61	Vert(CT) -0.23 15-16 >788 360		
BCDL 5.0	Rep Stress Incr YES	Matrix-SH	Horz(CT) 0.04 13 n/a n/a		
	Code IRC2021/TPI2014			Weight: 113 lb	FT = 20%F, 11%E

LUMBER-	BRACING-
TOP CHORD 2x4 SP No.1(flat)	TOP CHORD Structural wood sheathing directly applied or 6-0-0 oc purlins, except end verticals.
BOT CHORD 2x4 SP No.1(flat)	BOT CHORD Rigid ceiling directly applied or 6-0-0 oc bracing.
WEBS 2x4 SP No.3(flat)	

REACTIONS. (lb/size) 26=266/0-3-8 (min. 0-1-8), 21=1438/0-5-4 (min. 0-1-8), 13=776/0-3-8 (min. 0-1-8)
 Max Uplift 26=-14(LC 4)
 Max Grav 26=353(LC 3), 21=1438(LC 1), 13=789(LC 7)

FORCES. (lb) - Max. Comp./Max. Ten. - All forces 250 (lb) or less except when shown.
 TOP CHORD 26-27=-352/6, 1-27=-352/6, 1-2=-321/59, 2-3=-543/246, 3-4=-108/602, 4-5=-317/0,
 5-6=-317/0, 6-7=-1767/0, 7-8=-2709/0, 8-9=-2709/0, 9-10=-2537/0, 10-11=-1730/0
 BOT CHORD 24-25=-246/543, 23-24=-246/543, 22-23=-246/543, 21-22=-1013/0, 20-21=-1009/0,
 19-20=0/1218, 18-19=0/1218, 17-18=0/2306, 16-17=0/2709, 15-16=0/2709, 14-15=0/2303,
 13-14=0/1125
 WEBS 8-17=-274/0, 4-21=-1382/0, 1-25=-75/383, 2-25=-289/243, 3-22=-796/0, 4-22=0/597,
 4-20=0/1275, 6-20=-1184/0, 6-18=0/755, 7-18=-752/0, 7-17=0/705, 9-15=-388/47,
 10-15=0/359, 10-14=-746/0, 11-14=0/787, 11-13=-1333/0

- NOTES-** (5)
 1) Unbalanced floor live loads have been considered for this design.
 2) Provide mechanical connection (by others) of truss to bearing plate capable of withstanding 14 lb uplift at joint 26.
 3) Recommend 2x6 strongbacks, on edge, spaced at 10-0-0 oc and fastened to each truss with 3-10d (0.131" X 3") nails. Strongbacks to be attached to walls at their outer ends or restrained by other means.
 4) CAUTION, Do not erect truss backwards.

LOAD CASE(S) Standard



3/18/2024

Warning !—Verify design parameters and read notes before use. This design is based only upon parameters shown, and is for an individual building component to be installed and loaded vertically. Applicability of design parameters and proper incorporation of component is responsibility of building designer – not truss designer or truss engineer. Bracing shown is for lateral support of individual web members only. Additional temporary bracing to ensure stability during construction is the responsibility of the erector. Additional permanent bracing of the overall structure is the responsibility of the building designer. For general guidance regarding fabrication, quality control, storage, delivery, erection and bracing, consult ANSI/TPI 1 *National Design Standard for Metal Plate Connected Wood Truss Construction* and BCSI 1-03 *Guide to Good Practice for Handling, Installing & Bracing of Metal Plate Connected Wood Trusses* from Truss Plate Institute, 583 D'Onofrio Drive, Madison, WI 53719.

Job 24-1220-F01	Truss F1-14A	Truss Type Floor	Qty 1	Ply 1	LOT 0.0093 BLAKE POND 150 WHIMBREL COURT LILLINGTON, NC Job Reference (optional) # 46665
--------------------	-----------------	---------------------	----------	----------	---

Run: 8.430 s Feb 12 2021 Print: 8.430 s Feb 12 2021 MiTek Industries, Inc. Mon Mar 18 20:29:03 2024 Page 1
ID:fcZ0KwZoZQmeXTiMivGJ_CysCYm-O0UjLzlyMoRvHWfa56jKt_7gjV66?ST4TZ5GvzZc2k

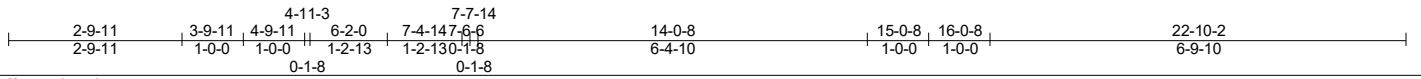
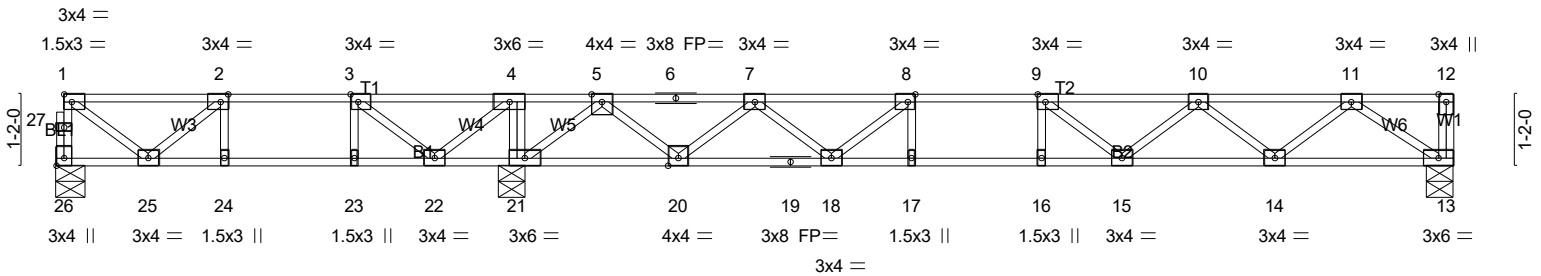


Plate Offsets (X,Y)-- [2:0-1-8,Edge], [3:0-1-8,Edge], [8:0-1-8,Edge], [9:0-1-8,Edge], [26:Edge,0-1-8]

LOADING (psf)	SPACING-	CSI.	DEFL.	in (loc)	l/defl	L/d	PLATES	GRIP
TCLL 40.0	2-0-0	TC 0.47	Vert(LL)	-0.17	15-16	>999	MT20	244/190
TCDL 10.0	Plate Grip DOL 1.00	BC 0.86	Vert(CT)	-0.23	15-16	>809		
BCLL 0.0	Lumber DOL 1.00	WB 0.47	Horz(CT)	0.04	13	n/a		
BCDL 5.0	Rep Stress Incr YES	Matrix-SH						
	Code IRC2021/TPI2014							
							Weight: 114 lb	FT = 20%F, 11%E

LUMBER-	BRACING-
TOP CHORD 2x4 SP No.1(flat)	TOP CHORD Structural wood sheathing directly applied or 6-0-0 oc purlins, except end verticals.
BOT CHORD 2x4 SP No.1(flat)	BOT CHORD Rigid ceiling directly applied or 6-0-0 oc bracing.
WEBS 2x4 SP No.3(flat)	

REACTIONS. (lb/size) 26=268/0-5-8 (min. 0-1-8), 21=1441/0-5-4 (min. 0-1-8), 13=770/0-5-8 (min. 0-1-8)
Max Uplift 26=-14(LC 4)
Max Grav 26=355(LC 3), 21=1441(LC 1), 13=784(LC 7)

FORCES. (lb) - Max. Comp./Max. Ten. - All forces 250 (lb) or less except when shown.
TOP CHORD 26-27=-355/6, 1-27=-354/6, 1-2=-325/59, 2-3=-553/242, 3-4=-123/608, 4-5=0/1063, 5-6=-1096/0, 6-7=-1096/0, 7-8=-2196/0, 8-9=-2637/0, 9-10=-2465/0, 10-11=-1666/0
BOT CHORD 24-25=-242/553, 23-24=-242/553, 22-23=-242/553, 21-22=-1063/0, 20-21=-21/369, 19-20=0/1795, 18-19=0/1795, 17-18=0/2637, 16-17=0/2637, 15-16=0/2637, 14-15=0/2234, 13-14=0/1066
WEBS 4-21=-573/0, 1-25=-75/387, 2-25=-298/239, 3-22=-803/0, 4-22=0/652, 8-18=-691/0, 7-18=0/565, 7-20=-950/0, 5-20=0/991, 5-21=-1395/0, 9-15=-383/51, 10-15=0/346, 10-14=-740/0, 11-14=0/781, 11-13=-1284/0

- NOTES-** (5)
1) Unbalanced floor live loads have been considered for this design.
2) Provide mechanical connection (by others) of truss to bearing plate capable of withstanding 14 lb uplift at joint 26.
3) Recommend 2x6 strongbacks, on edge, spaced at 10-0-0 oc and fastened to each truss with 3-10d (0.131" X 3") nails. Strongbacks to be attached to walls at their outer ends or restrained by other means.
4) CAUTION, Do not erect truss backwards.

LOAD CASE(S) Standard

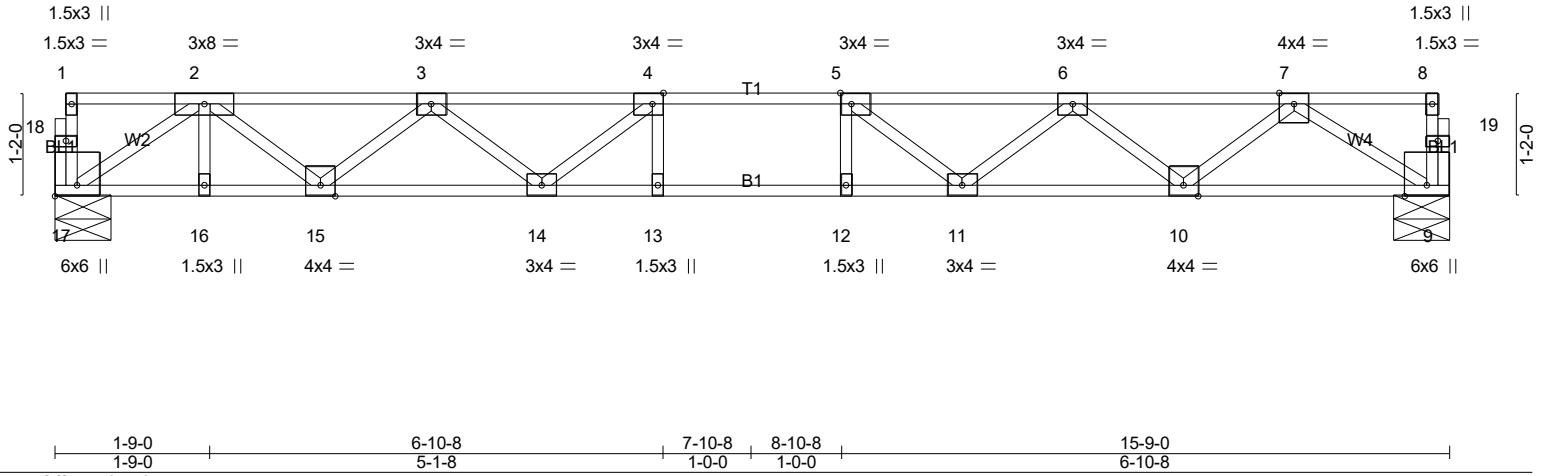
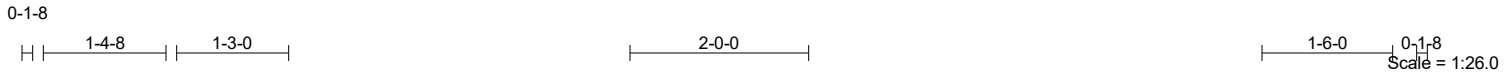


3/18/2024

Warning !—Verify design parameters and read notes before use. This design is based only upon parameters shown, and is for an individual building component to be installed and loaded vertically. Applicability of design parameters and proper incorporation of component is responsibility of building designer – not truss designer or truss engineer. Bracing shown is for lateral support of individual web members only. Additional temporary bracing to ensure stability during construction is the responsibility of the erector. Additional permanent bracing of the overall structure is the responsibility of the building designer. For general guidance regarding fabrication, quality control, storage, delivery, erection and bracing, consult ANSI/TPI 1 *National Design Standard for Metal Plate Connected Wood Truss Construction* and BCSI 1-03 *Guide to Good Practice for Handling, Installing & Bracing of Metal Plate Connected Wood Trusses* from Truss Plate Institute, 583 D'Onofrio Drive, Madison, WI 53719.

Job 24-1220-F01	Truss F1-15	Truss Type Floor	Qty 6	Ply 1	LOT 0.0093 BLAKE POND 150 WHIMBREL COURT LILLINGTON, NC Job Reference (optional) # 46665
--------------------	----------------	---------------------	----------	----------	---

Run: 8.430 s Feb 12 2021 Print: 8.430 s Feb 12 2021 MiTek Industries, Inc. Mon Mar 18 20:29:04 2024 Page 1
ID:fcZ0KwZoZQmeXTIMivGJ_CysCYm-sC25YJJa76ZmvgEmpfEZPCtrvT9kwREhDifoMzZc2j



LOADING (psf)	SPACING-	CSI.	DEFL.	PLATES	GRIP
TCLL 40.0	2-0-0	TC 0.38	in (loc) l/defl L/d	MT20	244/190
TCDL 10.0	Plate Grip DOL 1.00	BC 0.80	Vert(LL) -0.17 12-13 >999 480		
BCLL 0.0	Lumber DOL 1.00	WB 0.42	Vert(CT) -0.24 12-13 >771 360		
BCDL 5.0	Rep Stress Incr YES	Matrix-SH	Horz(CT) 0.05 9 n/a n/a		
	Code IRC2021/TPI2014			Weight: 79 lb	FT = 20%F, 11%E

LUMBER-
TOP CHORD 2x4 SP No.1(flat)
BOT CHORD 2x4 SP No.1(flat)
WEBS 2x4 SP No.3(flat)

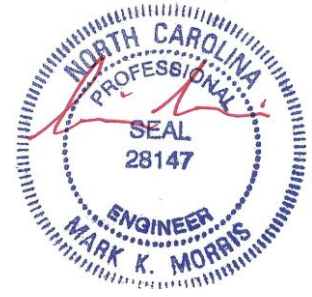
BRACING-
TOP CHORD Structural wood sheathing directly applied or 6-0-0 oc purlins, except end verticals.
BOT CHORD Rigid ceiling directly applied or 10-0-0 oc bracing.

REACTIONS. (lb/size) 17=846/0-7-8 (min. 0-1-8), 9=846/0-7-8 (min. 0-1-8)

FORCES. (lb) - Max. Comp./Max. Ten. - All forces 250 (lb) or less except when shown.
TOP CHORD 2-3=-1881/0, 3-4=-2834/0, 4-5=-3140/0, 5-6=-2832/0, 6-7=-1886/0
BOT CHORD 16-17=0/1183, 15-16=0/1183, 14-15=0/2519, 13-14=0/3140, 12-13=0/3140, 11-12=0/3140, 10-11=0/2519, 9-10=0/1217
WEBS 4-14=-590/0, 3-14=0/478, 3-15=-831/0, 2-15=0/891, 5-11=-591/0, 6-11=0/477, 6-10=-824/0, 7-10=0/871, 7-9=-1441/0, 2-17=-1418/0

NOTES- (3)
1) Unbalanced floor live loads have been considered for this design.
2) Recommend 2x6 strongbacks, on edge, spaced at 10-0-0 oc and fastened to each truss with 3-10d (0.131" X 3") nails. Strongbacks to be attached to walls at their outer ends or restrained by other means.

LOAD CASE(S) Standard



3/18/2024

Warning!—Verify design parameters and read notes before use. This design is based only upon parameters shown, and is for an individual building component to be installed and loaded vertically. Applicability of design parameters and proper incorporation of component is responsibility of building designer – not truss designer or truss engineer. Bracing shown is for lateral support of individual web members only. Additional temporary bracing to ensure stability during construction is the responsibility of the erector. Additional permanent bracing of the overall structure is the responsibility of the building designer. For general guidance regarding fabrication, quality control, storage, delivery, erection and bracing, consult ANSI/TPI 1 *National Design Standard for Metal Plate Connected Wood Truss Construction* and BCSI 1-03 *Guide to Good Practice for Handling, Installing & Bracing of Metal Plate Connected Wood Trusses* from Truss Plate Institute, 583 D'Onofrio Drive, Madison, WI 53719.

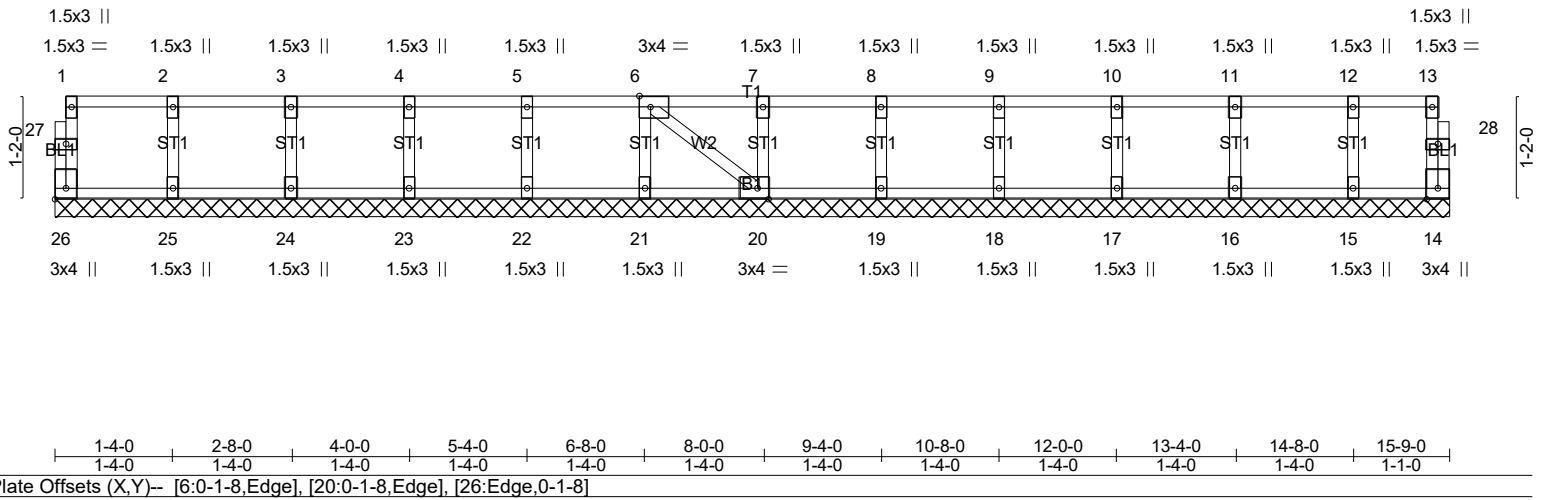
Job	Truss	Truss Type	Qty	Ply	LOT 0.0093 BLAKE POND 150 WHIMBREL COURT LILLINGTON, NC
24-1220-F01	F1-16	Floor Supported Gable	1	1	# 46665

Run: 8.430 s Feb 12 2021 Print: 8.430 s Feb 12 2021 MiTek Industries, Inc. Mon Mar 18 20:29:05 2024 Page 1
 ID:fcZ0KwZoZQmeXTIMivGJ_CysCYm-KPcUmfKDuPhdXqpzDXloyPC7gJ?qtTqNwt2CKozZc2i

0-1-8

0-1-8

Scale = 1:26.0



LOADING (psf)	SPACING-	CSI.	DEFL.	PLATES	GRIP
TCLL 40.0	2-0-0	TC 0.06	in (loc) l/defl L/d	MT20	244/190
TCDL 10.0	Plate Grip DOL 1.00	BC 0.01	Vert(LL) n/a - n/a 999		
BCLL 0.0	Lumber DOL 1.00	WB 0.03	Vert(CT) n/a - n/a 999		
BCDL 5.0	Rep Stress Incr YES	Matrix-SH	Horz(CT) 0.00 14 n/a n/a		
	Code IRC2021/TPI2014			Weight: 69 lb	FT = 20%F, 11%E

LUMBER-
 TOP CHORD 2x4 SP No.1(flat)
 BOT CHORD 2x4 SP No.1(flat)
 WEBS 2x4 SP No.3(flat)
 OTHERS 2x4 SP No.3(flat)

BRACING-
 TOP CHORD Structural wood sheathing directly applied or 6-0-0 oc purlins, except end verticals.
 BOT CHORD Rigid ceiling directly applied or 10-0-0 oc bracing.

REACTIONS. All bearings 15-9-0.
 (lb) - Max Grav All reactions 250 lb or less at joint(s) 26, 14, 25, 24, 23, 22, 21, 20, 19, 18, 17, 16, 15

FORCES. (lb) - Max. Comp./Max. Ten. - All forces 250 (lb) or less except when shown.

- NOTES-** (5)
- Gable requires continuous bottom chord bearing.
 - Truss to be fully sheathed from one face or securely braced against lateral movement (i.e. diagonal web).
 - Gable studs spaced at 1-4-0 oc.
 - Recommend 2x6 strongbacks, on edge, spaced at 10-0-0 oc and fastened to each truss with 3-10d (0.131" X 3") nails. Strongbacks to be attached to walls at their outer ends or restrained by other means.

LOAD CASE(S) Standard



3/18/2024

Warning!—Verify design parameters and read notes before use. This design is based only upon parameters shown, and is for an individual building component to be installed and loaded vertically. Applicability of design parameters and proper incorporation of component is responsibility of building designer – not truss designer or truss engineer. Bracing shown is for lateral support of individual web members only. Additional temporary bracing to ensure stability during construction is the responsibility of the erector. Additional permanent bracing of the overall structure is the responsibility of the building designer. For general guidance regarding fabrication, quality control, storage, delivery, erection and bracing, consult ANSI/TPI 1 *National Design Standard for Metal Plate Connected Wood Truss Construction* and BCSI 1-03 *Guide to Good Practice for Handling, Installing & Bracing of Metal Plate Connected Wood Trusses* from Truss Plate Institute, 583 D'Onofrio Drive, Madison, WI 53719.

Job 24-1220-F01	Truss F1-18	Truss Type Floor Supported Gable	Qty 2	Ply 1	LOT 0.0093 BLAKE POND 150 WHIMBREL COURT LILLINGTON, NC Job Reference (optional) # 46665
--------------------	----------------	-------------------------------------	----------	----------	---

Run: 8.430 s Feb 12 2021 Print: 8.430 s Feb 12 2021 MiTek Industries, Inc. Mon Mar 18 20:29:06 2024 Page 1
ID:fcZ0KwZoZQmeXTIMivGJ_CysCYm-obAsz_LrfqU8_09nEG1UdIHPlL3Cw4X9XolsEzZc2h

0-1-8

Scale = 1:17.8

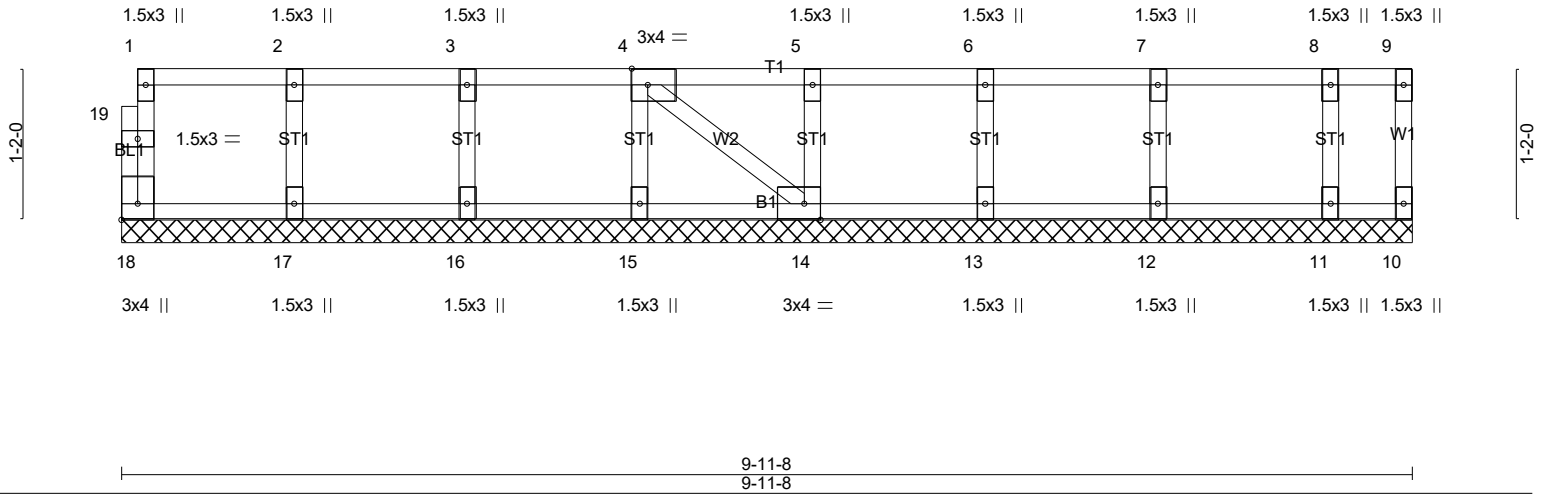


Plate Offsets (X,Y)-- [4:0-1-8,Edge], [14:0-1-8,Edge], [18:Edge,0-1-8]

LOADING (psf)	SPACING-	2-0-0	CSI.	DEFL.	in	(loc)	l/defl	L/d	PLATES	GRIP
TCLL 40.0	Plate Grip DOL	1.00	TC 0.06	Vert(LL)	n/a	-	n/a	999	MT20	244/190
TCDL 10.0	Lumber DOL	1.00	BC 0.01	Vert(CT)	n/a	-	n/a	999		
BCLL 0.0	Rep Stress Incr	YES	WB 0.03	Horz(CT)	0.00	10	n/a	n/a		
BCDL 5.0	Code IRC2021/TPI2014		Matrix-SH						Weight: 45 lb	FT = 20%F, 11%E

LUMBER-
TOP CHORD 2x4 SP No.1(flat)
BOT CHORD 2x4 SP No.1(flat)
WEBS 2x4 SP No.3(flat)
OTHERS 2x4 SP No.3(flat)

BRACING-
TOP CHORD Structural wood sheathing directly applied or 6-0-0 oc purlins, except end verticals.
BOT CHORD Rigid ceiling directly applied or 10-0-0 oc bracing.

REACTIONS. All bearings 9-11-8.
(lb) - Max Grav All reactions 250 lb or less at joint(s) 18, 10, 17, 16, 15, 14, 13, 12, 11

FORCES. (lb) - Max. Comp./Max. Ten. - All forces 250 (lb) or less except when shown.

- NOTES-** (6)
1) Gable requires continuous bottom chord bearing.
2) Truss to be fully sheathed from one face or securely braced against lateral movement (i.e. diagonal web).
3) Gable studs spaced at 1-4-0 oc.
4) Recommend 2x6 strongbacks, on edge, spaced at 10-0-0 oc and fastened to each truss with 3-10d (0.131" X 3") nails. Strongbacks to be attached to walls at their outer ends or restrained by other means.
5) CAUTION, Do not erect truss backwards.

LOAD CASE(S) Standard



3/18/2024

Warning !—Verify design parameters and read notes before use. This design is based only upon parameters shown, and is for an individual building component to be installed and loaded vertically. Applicability of design parameters and proper incorporation of component is responsibility of building designer – not truss designer or truss engineer. Bracing shown is for lateral support of individual web members only. Additional temporary bracing to ensure stability during construction is the responsibility of the erector. Additional permanent bracing of the overall structure is the responsibility of the building designer. For general guidance regarding fabrication, quality control, storage, delivery, erection and bracing, consult ANSI/TPI 1 *National Design Standard for Metal Plate Connected Wood Truss Construction* and BCSI 1-03 *Guide to Good Practice for Handling, Installing & Bracing of Metal Plate Connected Wood Trusses* from Truss Plate Institute, 583 D'Onofrio Drive, Madison, WI 53719.

Job 24-1220-F01	Truss F1-19	Truss Type Floor	Qty 5	Ply 1	LOT 0.0093 BLAKE POND 150 WHIMBREL COURT LILLINGTON, NC Job Reference (optional) # 46665
--------------------	----------------	---------------------	----------	----------	---

Run: 8.430 s Feb 12 2021 Print: 8.430 s Feb 12 2021 MiTek Industries, Inc. Mon Mar 18 20:29:06 2024 Page 1
ID:fcZ0KwZoZQmeXTIMivGJ_CysCYm-obAsz_LrfjqU8_O9nEG1UdlEWjFMCt9X9XolsEzZc2h

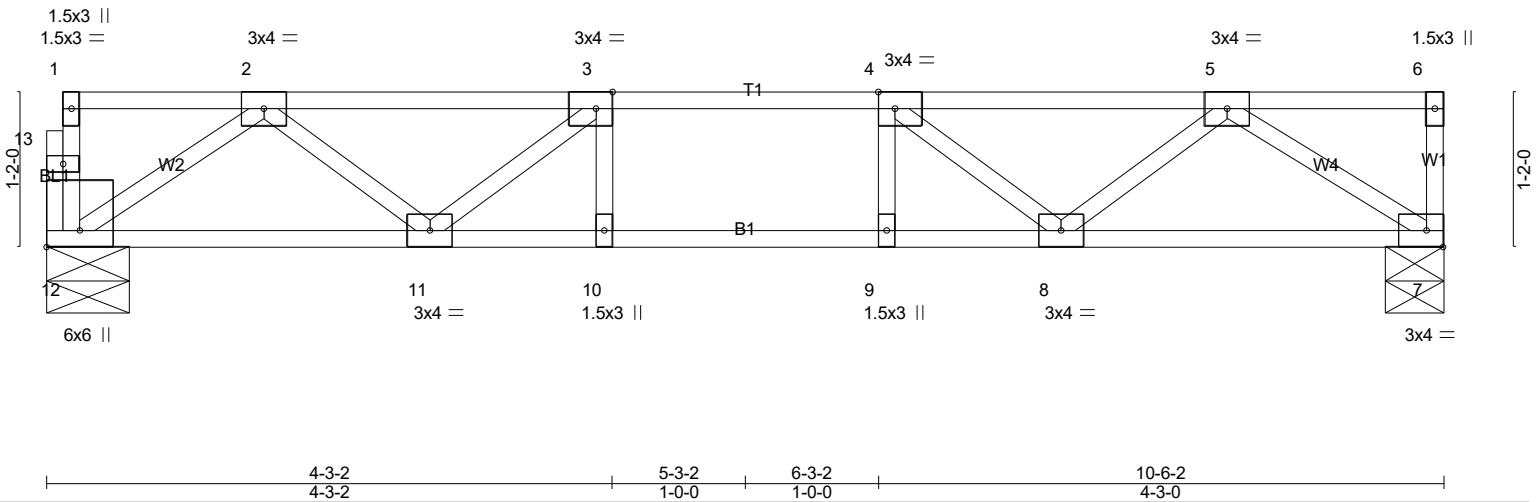
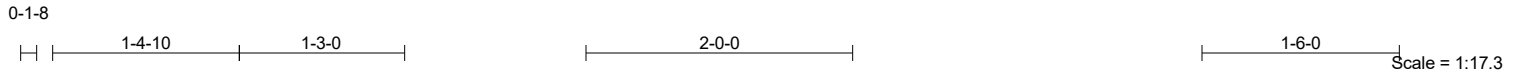


Plate Offsets (X,Y)-- [3:0-1-8,Edge], [4:0-1-8,Edge], [12:Edge,0-3-0]

LOADING (psf)	SPACING-	2-0-0	CSI.	DEFL.	in	(loc)	l/defl	L/d	PLATES	GRIP
TCLL 40.0	Plate Grip DOL	1.00	TC 0.24	Vert(LL)	-0.06	8-9	>999	480	MT20	244/190
TCDL 10.0	Lumber DOL	1.00	BC 0.44	Vert(CT)	-0.08	9	>999	360		
BCLL 0.0	Rep Stress Incr	YES	WB 0.22	Horz(CT)	0.02	7	n/a	n/a		
BCDL 5.0	Code IRC2021/TPI2014		Matrix-SH						Weight: 52 lb	FT = 20%F, 11%E

LUMBER-
TOP CHORD 2x4 SP No.1(flat)
BOT CHORD 2x4 SP No.1(flat)
WEBS 2x4 SP No.3(flat)

BRACING-
TOP CHORD Structural wood sheathing directly applied or 6-0-0 oc purlins, except end verticals.
BOT CHORD Rigid ceiling directly applied or 10-0-0 oc bracing.

REACTIONS. (lb/size) 12=562/0-7-8 (min. 0-1-8), 7=568/0-5-4 (min. 0-1-8)

FORCES. (lb) - Max. Comp./Max. Ten. - All forces 250 (lb) or less except when shown.
TOP CHORD 2-3=-1068/0, 3-4=-1386/0, 4-5=-1082/0
BOT CHORD 11-12=0/737, 10-11=0/1386, 9-10=0/1386, 8-9=0/1386, 7-8=0/759
WEBS 3-11=-451/0, 2-11=0/432, 2-12=-892/0, 4-8=-439/0, 5-8=0/420, 5-7=-912/0

NOTES- (4)
1) Unbalanced floor live loads have been considered for this design.
2) Recommend 2x6 strongbacks, on edge, spaced at 10-0-0 oc and fastened to each truss with 3-10d (0.131" X 3") nails. Strongbacks to be attached to walls at their outer ends or restrained by other means.
3) CAUTION, Do not erect truss backwards.

LOAD CASE(S) Standard



3/18/2024

Warning !—Verify design parameters and read notes before use. This design is based only upon parameters shown, and is for an individual building component to be installed and loaded vertically. Applicability of design parameters and proper incorporation of component is responsibility of building designer – not truss designer or truss engineer. Bracing shown is for lateral support of individual web members only. Additional temporary bracing to ensure stability during construction is the responsibility of the erector. Additional permanent bracing of the overall structure is the responsibility of the building designer. For general guidance regarding fabrication, quality control, storage, delivery, erection and bracing, consult ANSI/TPI 1 *National Design Standard for Metal Plate Connected Wood Truss Construction* and BCSI 1-03 *Guide to Good Practice for Handling, Installing & Bracing of Metal Plate Connected Wood Trusses* from Truss Plate Institute, 583 D'Onofrio Drive, Madison, WI 53719.