

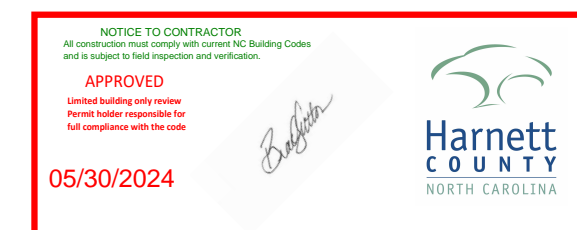


FRONT ELEVATION

Scale: 1/4" = 1'0"

9'0" CEILING HEIGHT FIRST FLOOR
(HEADER HEIGHT 7'6")

8'0" CEILING HEIGHT SECOND FLOOR
(HEADERS INSTALLED BELOW TOPS PLATES)
FRAME WINDOWS TO HEADER HEIGHT



LEFT ELEVATION

Scale: 1/8" = 1'0"



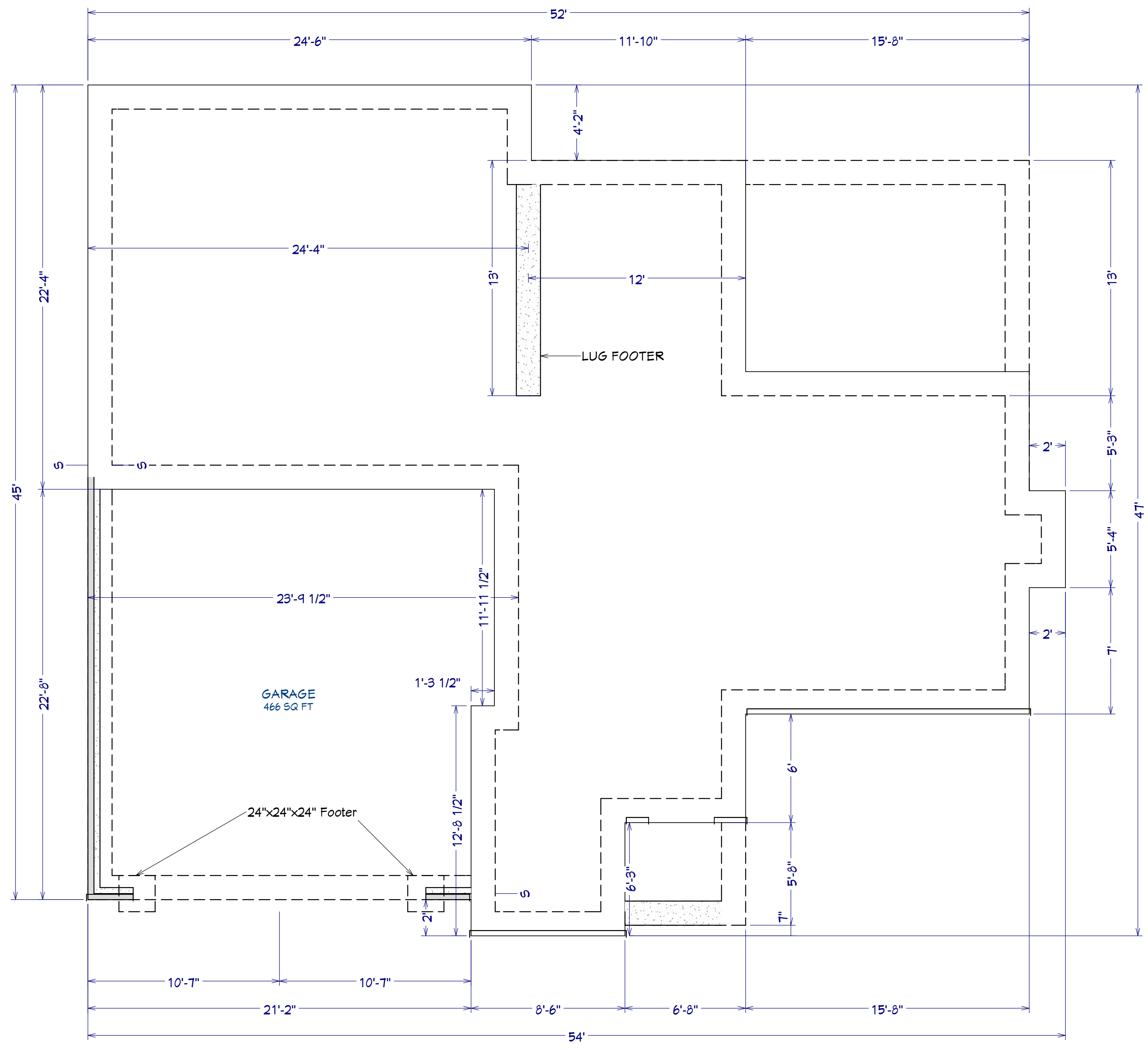
REAR ELEVATION

Scale: 1/8" = 1'0"



RIGHT ELEVATION

Scale: 1/8" = 1'0"



AREA SCHEDULE	
NAME	AREA
1st FLOOR	1,403 SF
2nd FLOOR	1,074 SF
GARAGE	
FRONT PORCH	35 SF
COVERED PORCH	183 SF
TOTAL HEATED	2,477 SF
TOTAL UNDER ROOF	3,192 SF

FOUNDATION PLAN
Scale: 1/4" = 1'0"

SHEET TITLE:
FOUNDATION

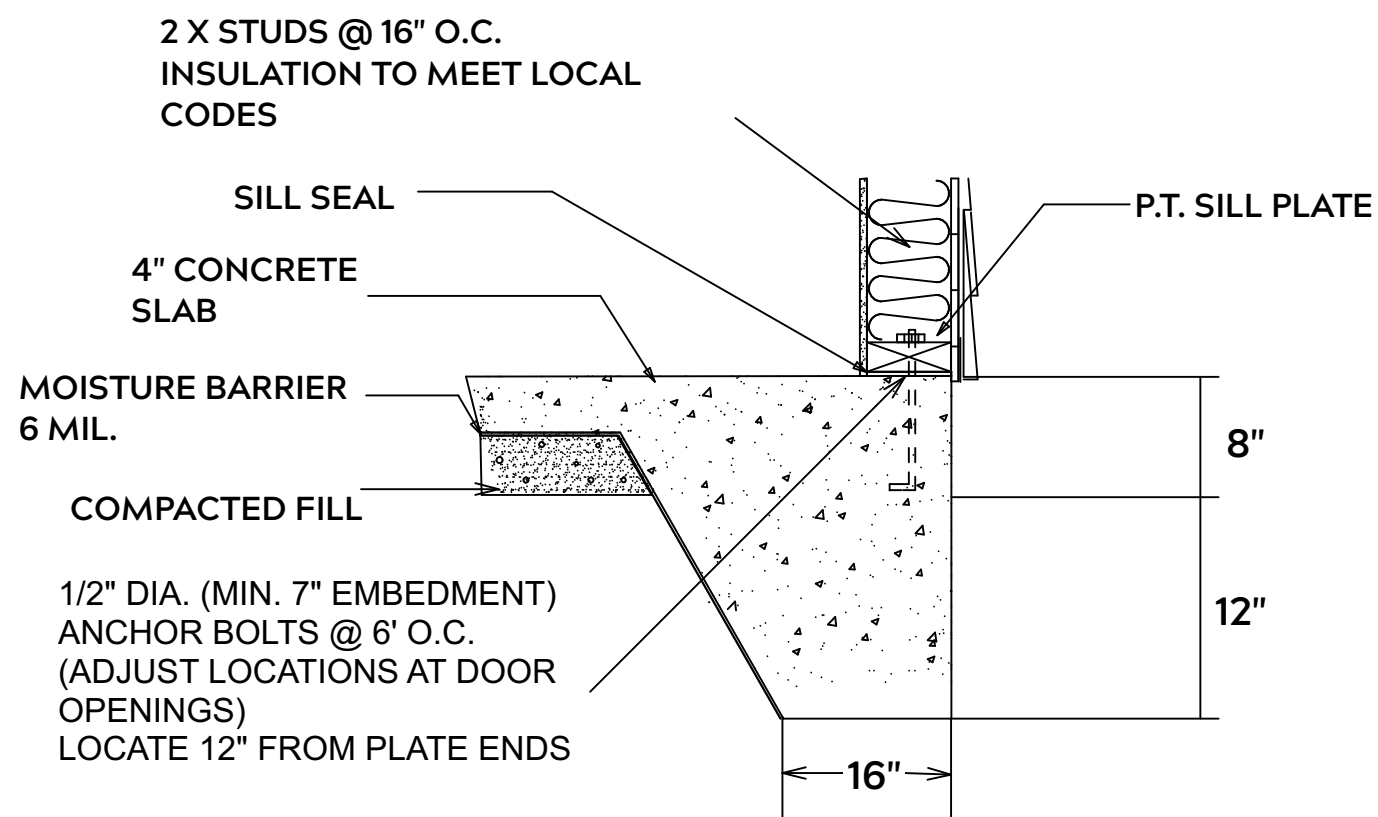
PROJECT ADDRESS:
553 Solomon Dr.
Liberty Meadows Lot 72

DESIGNED BY:
Precision Custom Homes
Rae ford, NC
Shaun@PrecisionCustomHomesNC.com

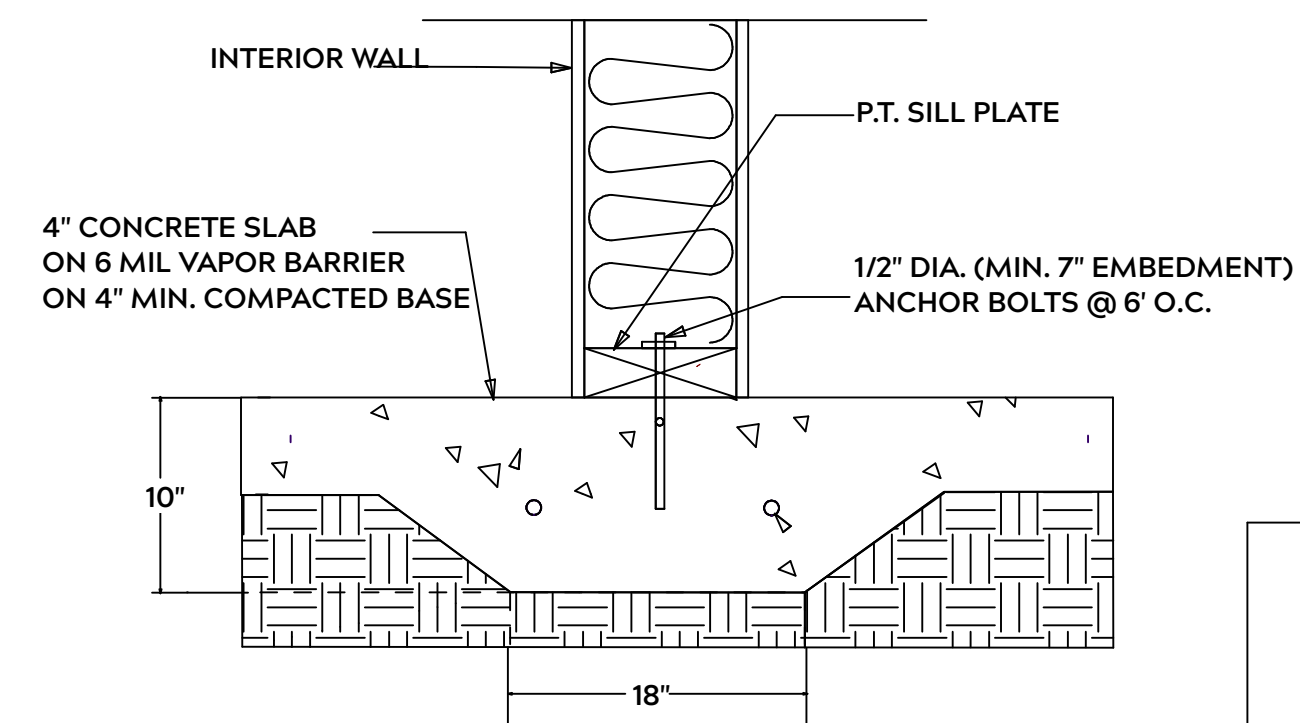
DATE:
5/17/24

SCALE:
1/4" = 1'

SHEET:
A-2



MONOLITHIC SLAB



LUG FOOTING

FOUNDATION NOTES:

ALL FOOTINGS SHALL BEAR ON ORIGINAL UNDISTURBED SOIL
THE 28 DAY COMPRESSIVE STRENGTH OF ALL FOOTINGS IS 3000 PSI

PROVIDE WATER PROOFING AND PERIMTER DRAINS AS REQUIRED

FOOTING WIDTHS ARE BASED ON A LOAD BEARING SOIL CAPACITY OF 2000 PSI

PROVIDE 6 MIL POLY VAPOR BARRIER TO COVER GROUND IN CRAWL SPACE AND GROUND UNDER POURED CONCRETE

ALL ANCHOR BOLTS TO BE 1/2" X 12" LONG. ANCHOR BOLTS SHALL BE SPACED AT A MAXIMUM OF 6' ON CENTER AND NO MORE THEN 1' FROM EACH CORNER

GENERAL FRAMING NOTES:

ALL LUMBER IN CONTACT WITH CONCRETE OR MASONRY SHALLE BE PRESSURE TREATED

FRAMING LUMBER SHALL BE SYP #2 GRADE AND / OR SPRUCE PINE FIR #1 AND / OR KILN DRIED

WHERE PRE-ENGINEERED JOISTS AND TRUSSES ARE USED, MANUFACTURER SHALL PROVIDE DRAWINGS / SCHEMATICS, WHICH SHALL BEAR OF A N.C. ENGINEER

STUDS AND JOISTS SHALL NOT BE CUT TO INSTALL PLUMBING OR WIRING WITHOUT ADDING METAL OR WOOD SIDE PANELS TO STRENGTHEN MEMBER TO ITS ORIGINAL CAPACITY

NAIL MULTIPLE MEMBERS WITH 2 ROWS OF 16d NAILS STAGGERED 32" O.C. AND USE 3 X 16d NAILS 2" IN AT EACH END.

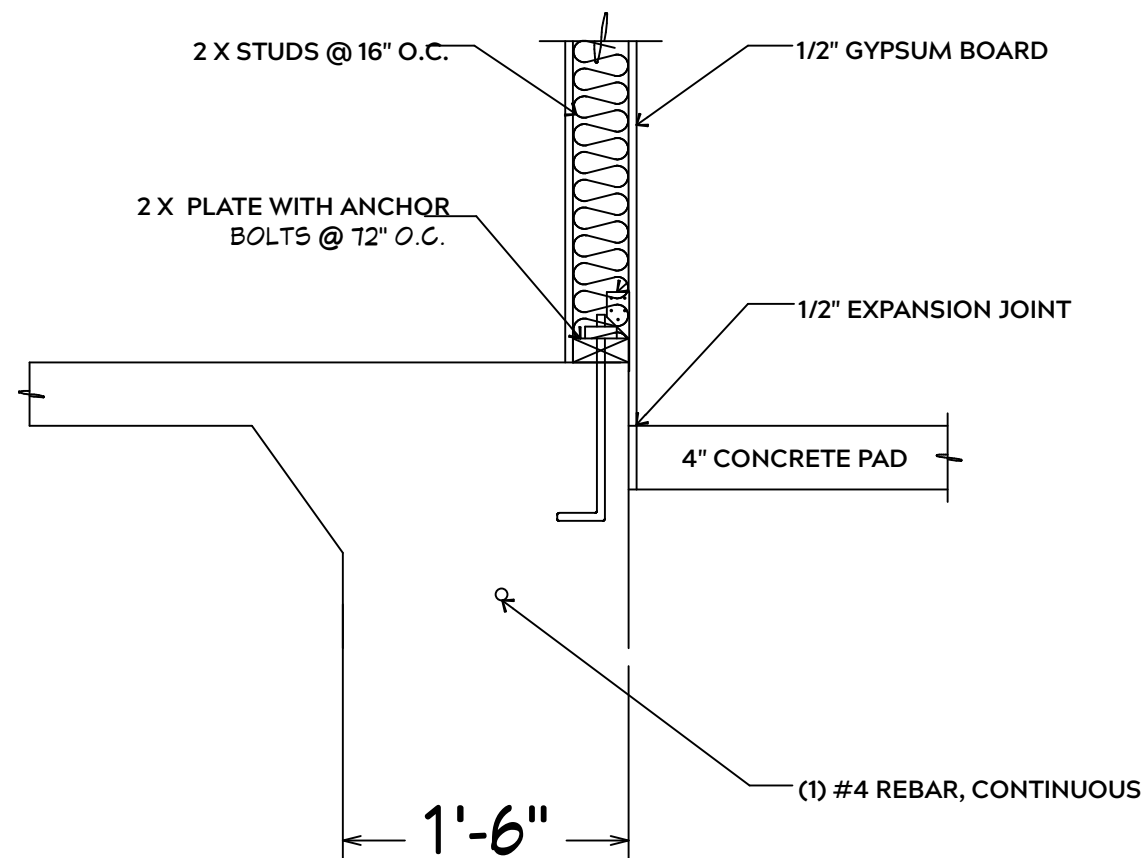
NAIL FLOOR JOISTS TO SILL PLATE WITH WITH 8d TOE NAILS

ALL EXPOSED FRAMING ON PORCHES OR DECKS SHALL BE PRESSURE TREATED

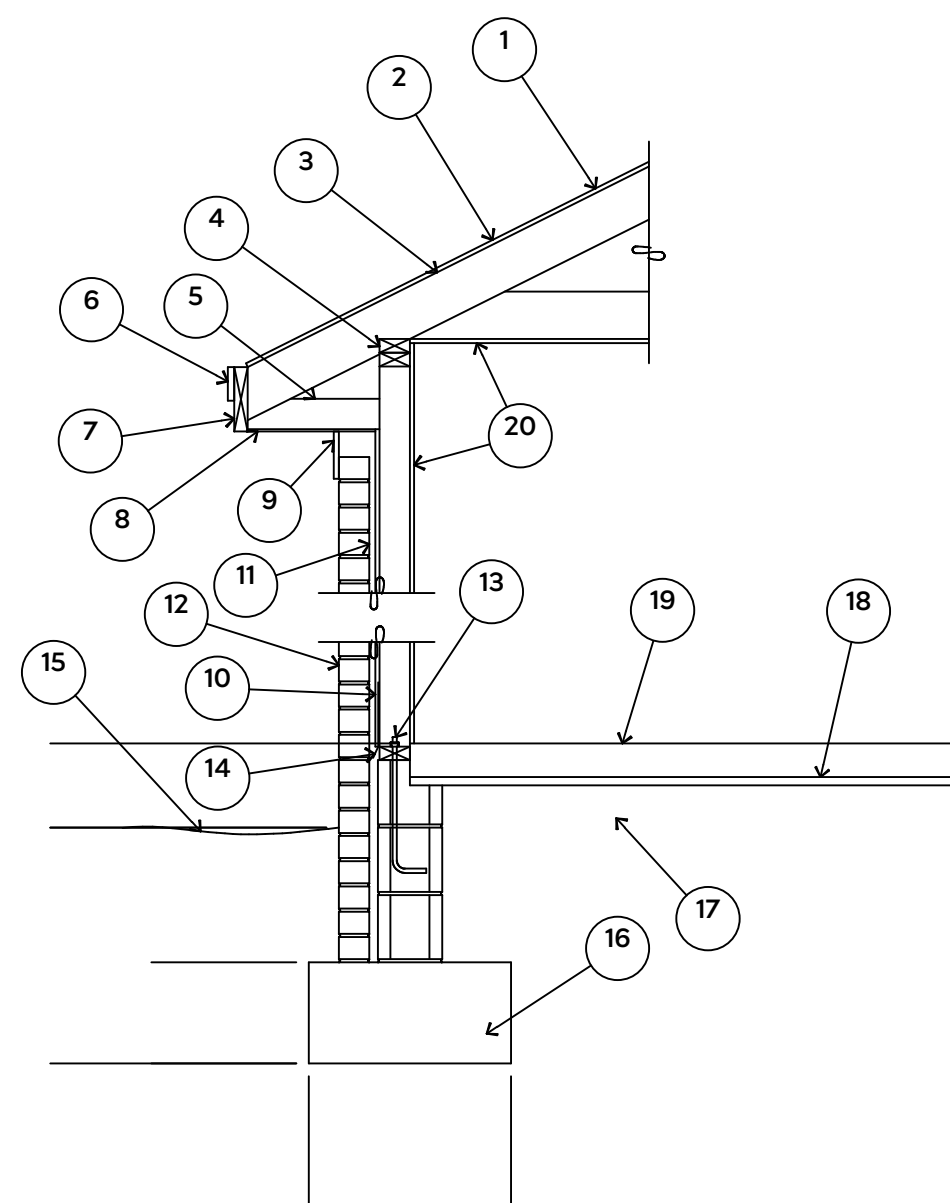
PROVIDE WATERPROOFING AND DRAINS AS REQUIRED

ALL FRAMING TO BE 16" O.C. WALL FRAMING DIMENSIONS ARE BASED ON 2X4 OR 2X6 EXTERIOR WALLS AND 2X4 INTERIOR WALLS. DOULBE / TRIPLE JACK STUDS AS NECESSARY UNDER HEADERS AS REQUIRED

LVL'S TO BE SIZED BY OTHERS (TRUSS MANUFACTURER)

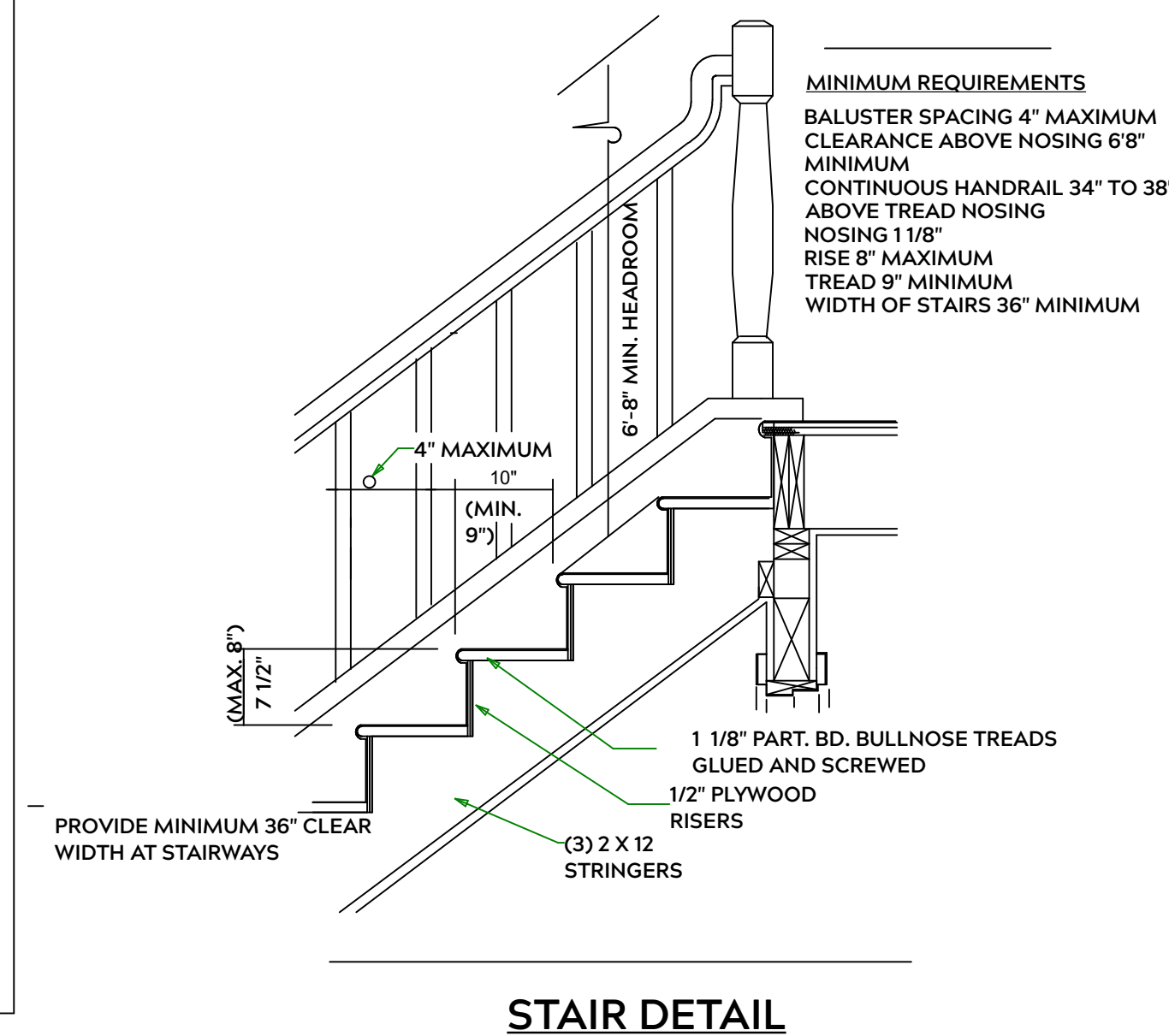


INTERIOR WALL @ GARAGE STEP DOWN

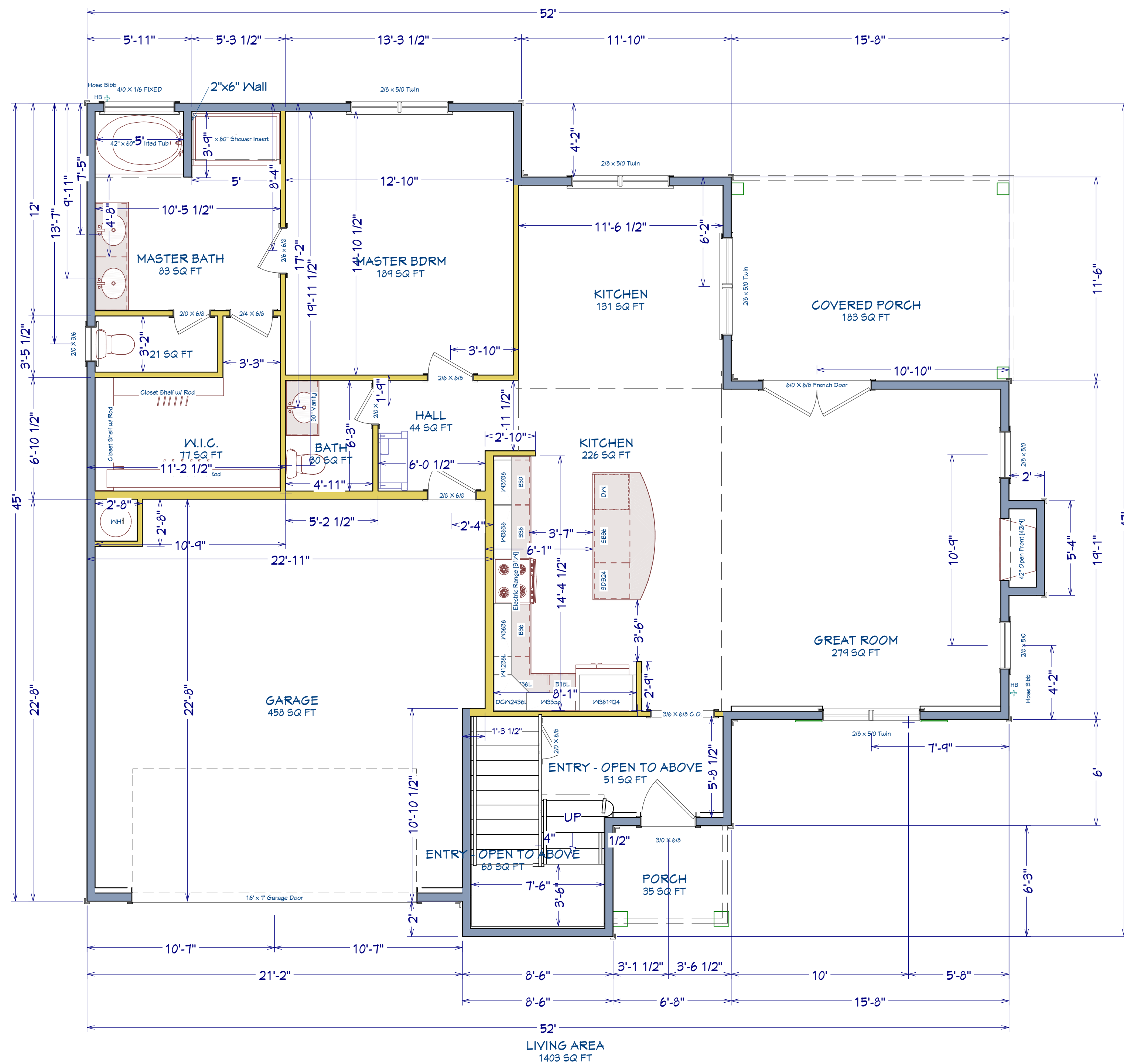


1. 15# FELT UNDERLAYMENT UNDER COMPOSITION SHINGLES.
2. ROOF DECKING.
3. 2 X RAFTERS / ENGINEERED TRUSSES
4. DOUBLE TOP PLATE.
5. 2 X 4 RETURN.
6. 3/4" FASCIA OR PVC TRIM COIL
7. 2 X FASCIA
8. 1/4" PLYWOOD OR VINYL SOFFIT
9. 1 X FREIZE BOARD (TO BE USED WITH BRICK VENEERS)
10. INSULATION BOARD OR HOUSE WRAP
11. AIR SPACE.
12. BRICK WITH BRICK TIES PER MANUFACTURER'S SPECIFICATIONS.
13. 1/2" X 12" ANCHOR BOLTS, 6'-0" O.C., 12" FROM CORNERS.
14. FLASHING WITH WEEP HOLES @ 48" O.C.
15. FINISHED GRADE.
16. FOOTING
17. COMPACTED EARTH FILL.
18. 6 MIL. VAPOR BARRIER
19. 4" CONCRETE SLAB, 3,000 P.S.I. WITH 6" X 6" 10 GA. X 10 GA. WELDED WIRE FABRIC.
20. 1/2" GYPSUM BOARD.

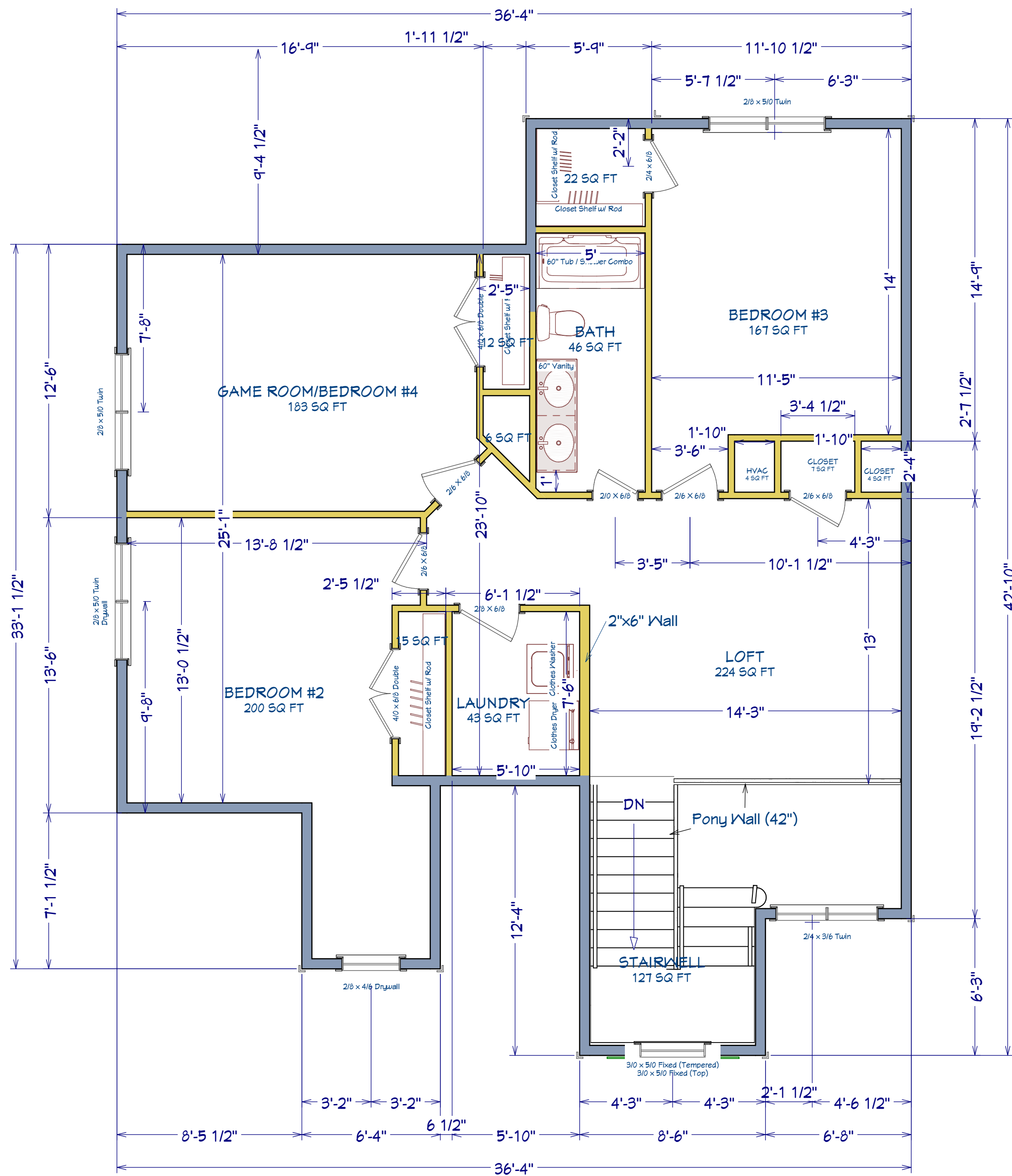
EXTERIOR WALL SECTION



STAIR DETAIL



AREA SCHEDULE	
NAME	AREA
1st FLOOR	1,403 SF
2nd FLOOR	1,074 SF
GARAGE	
FRONT PORCH	35 SF
COVERED PORCH	183 SF
TOTAL HEATED	2,477 SF
TOTAL UNDER ROOF	3,142 SF



2nd Floor

AREA SCHEDULE	
NAME	AREA
1st FLOOR	1,403 SF
2nd FLOOR	1,074 SF
GARAGE	497 SF
FRONT PORCH	35 SF
COVERED PORCH	103 SF
TOTAL HEATED	2,477 SF
TOTAL UNDER ROOF	3,192 SF

SHEET TITLE:

2nd FLOOR

PROJECT ADDRESS:
553 Solomon Dr.
Liberty Meadows Lot 72

DESIGNED BY:
Precision Custom Homes
Raeferd, NC
Shaun@PrecisionCustomHomesNC.com

DATE:

5/17/24

SCALE:

1/4" = 1'

SHEET:

A-5

Bearing reactions less than or equal to 3000# are deemed to comply with the prescriptive Code requirements. The contractor shall refer to the attached Tables (derived from the prescriptive Code requirements) to determine the minimum foundation size and number of wood studs required to support reactions greater than 3000# but not greater than 15000#. A registered design professional shall be retained to design the support system for any reaction that exceeds those specified in the attached Tables. A registered design professional shall be retained to design the support system for all reactions that exceed 15000#.

Signature Neil Baggett

Neil Baggett

LOAD CHART FOR JACK STUDS

(BASED ON TABLES R502.5(1) & (b))

NUMBER OF JACK STUDS REQUIRED @ EA END OF HEADER/GIRDER

END REACTION (UP TO)	REQ. D. STUDS FOR (1) FT. HEADER	END REACTION (UP TO)	REQ. D. STUDS FOR (1) FT. HEADER	END REACTION (UP TO)	REQ. D. STUDS FOR (1) FT. HEADER
1700	1	2550	1	3400	1
3400	2	5100	2	6800	2
5100	3	7650	3	10200	3
6800	4	10200	4	13600	4
8500	5	12750	5	17000	5
10200	6	15300	6		
11900	7				
13600	8				
15300	9				

Dimension Notes

1. All exterior wall to wall dimensions are to face of sheathing unless noted otherwise
2. All interior wall dimensions are to face of frame wall unless noted otherwise
3. All exterior wall to truss dimensions are to face of frame wall unless noted otherwise

All Walls Shown Are Considered Load Bearing

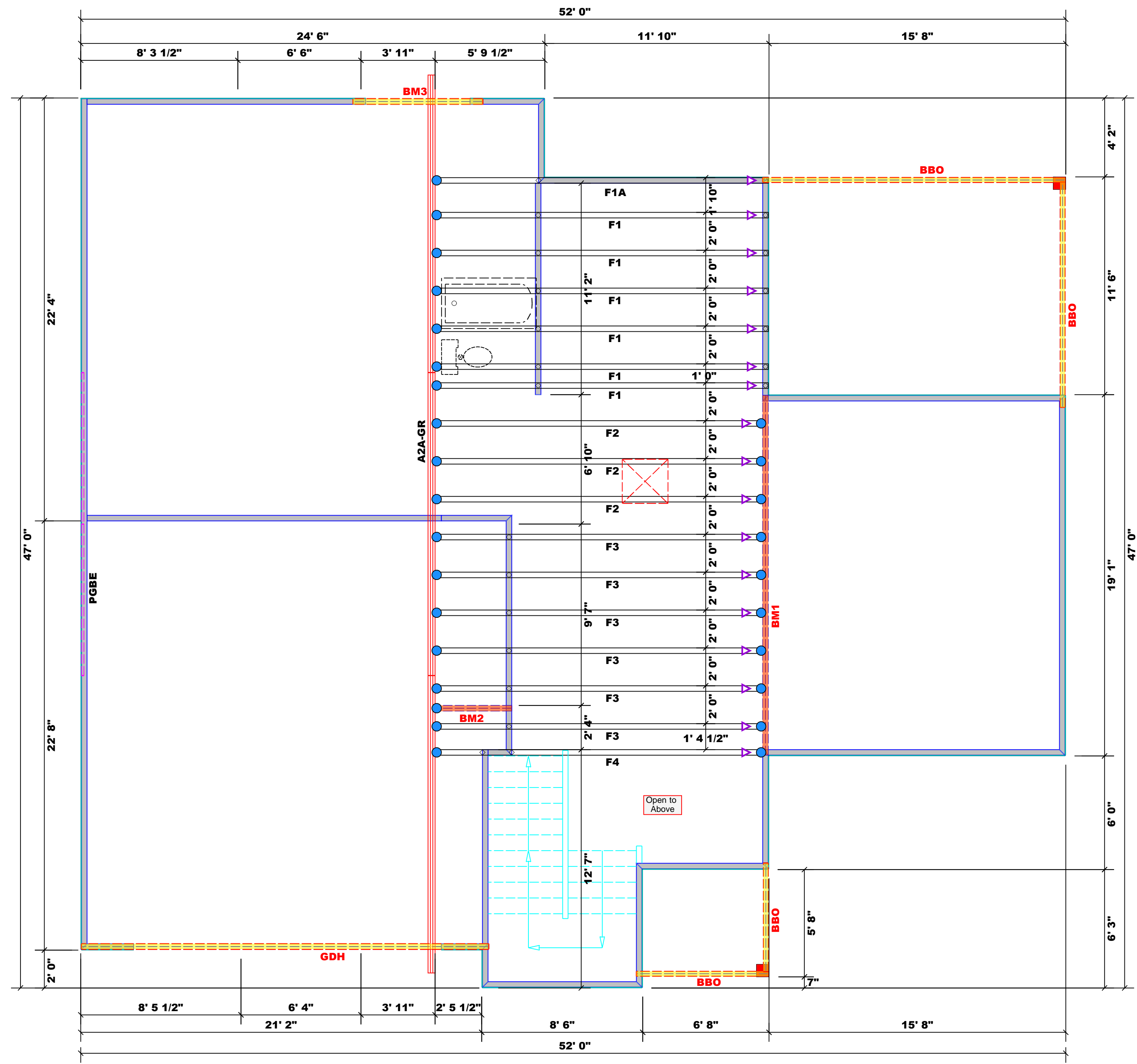
Plumbing Drop Notes

1. Plumbing drop locations shown are NOT exact.
2. Contractor to verify ALL plumbing drop locations prior to setting Floor Trusses.
3. Adjust spacing as needed not to exceed 24"oc.

Connector Information				Nail Information		
Sym	Product	Manuf	Qty	Supported Member	Header	Truss
●	HUS410	USP	28	NA	16d/3-1/2"	16d/3-1/2"

Products - Field Framed				
PlotID	Length	Product	Plies	Net Qty
BM1	19' 0"	1-3/4"x 18" LVL Kerto-S	2	2
BM2	5' 0"	1-3/4"x 14" LVL Kerto-S	2	2
BM3	7' 0"	1-3/4"x 9-1/4" LVL Kerto-S	2	2
GDH	22' 0"	1-3/4"x 18" LVL Kerto-S	2	2

1 Truss Placement Plan
Scale: 1/4"=1'



BUILDER	JOB NAME	PLAN	SEAL DATE	QUOTE #	JOB #
Precision Custom Homes and Renovations	Lot 72 Liberty Meadows	Anconia	N/A		J0124-0351

CITY / CO.	ADDRESS	MODEL	DATE REV.	DRAWN BY	SALES REP.
Cameron / Harnett	Lot 72 Liberty Meadows	Floor	05/22/24	Neil Baggett	Neil Baggett

△ = Indicates Left End of Truss (Reference Engineered Truss Drawing) Do NOT Erect Truss Backwards

THIS IS A TRUSS PLACEMENT DIAGRAM ONLY. These trusses are designed as individual building components to be incorporated into the building design at the specification of the building designer. See individual design sheets for each truss design identified on the placement drawing. The building designer is responsible for temporary and permanent bracing of the roof and floor system and for the overall structure. The design of the truss support structure including headers, beams, walls, and columns is the responsibility of the building designer. For general guidance regarding bracing, consult BCSI-B1 and BCSI-B3 provided with the truss delivery package or online @ sbcindustry.com



ROOF & FLOOR TRUSSES & BEAMS

Reilly Road Industrial Park
Fayetteville, N.C. 28309
Phone: (910) 864-8787
Fax: (910) 864-4444

Bearing reactions less than or equal to 3000# are deemed to comply with the prescriptive code requirements. The contractor shall refer to the attached Tables (derived from the prescriptive Code requirements) to determine the minimum foundation size and number of wood studs required to support reactions greater than 3000# but not greater than 15000#. A registered design professional shall be retained to design the support system for any reaction that exceeds those specified in the attached Tables. A registered design professional shall be retained to design the support system for all reactions that exceed 15000#.

Signature David Landry
David Landry

LOAD CHART FOR JACK STUDS

(BASED ON TABLES R502.5(1) & (b))
NUMBER OF JACK STUDS REQUIRED @ EA END OF HEADER/GIRDER

END REACTION (UP TO)	REQ. D. STUDS FOR (1) 1/2" HEADER	END REACTION (UP TO)	REQ. D. STUDS FOR (1) 1/2" HEADER	END REACTION (UP TO)	REQ. D. STUDS FOR (1) 1/2" HEADER
1700	1	2550	1	3400	1
3400	2	5100	2	6800	2
5100	3	7650	3	10200	3
6800	4	10200	4	13600	4
8500	5	12750	5	17000	5
10200	6	15300	6		
11900	7				
13600	8				
15300	9				

Dimension Notes

- All exterior wall to wall dimensions are to face of sheathing unless noted otherwise
- All interior wall dimensions are to face of frame wall unless noted otherwise
- All exterior wall to truss dimensions are to face of frame wall unless noted otherwise

All Walls Shown Are Considered Load Bearing

Roof Area = 2878.47 sq.ft.
Ridge Line = 77.6 ft.
Hip Line = 0 ft.
Horiz. OH = 131.95 ft.
Raked OH = 228.3 ft.
Decking = 99 sheets

Hatch Legend

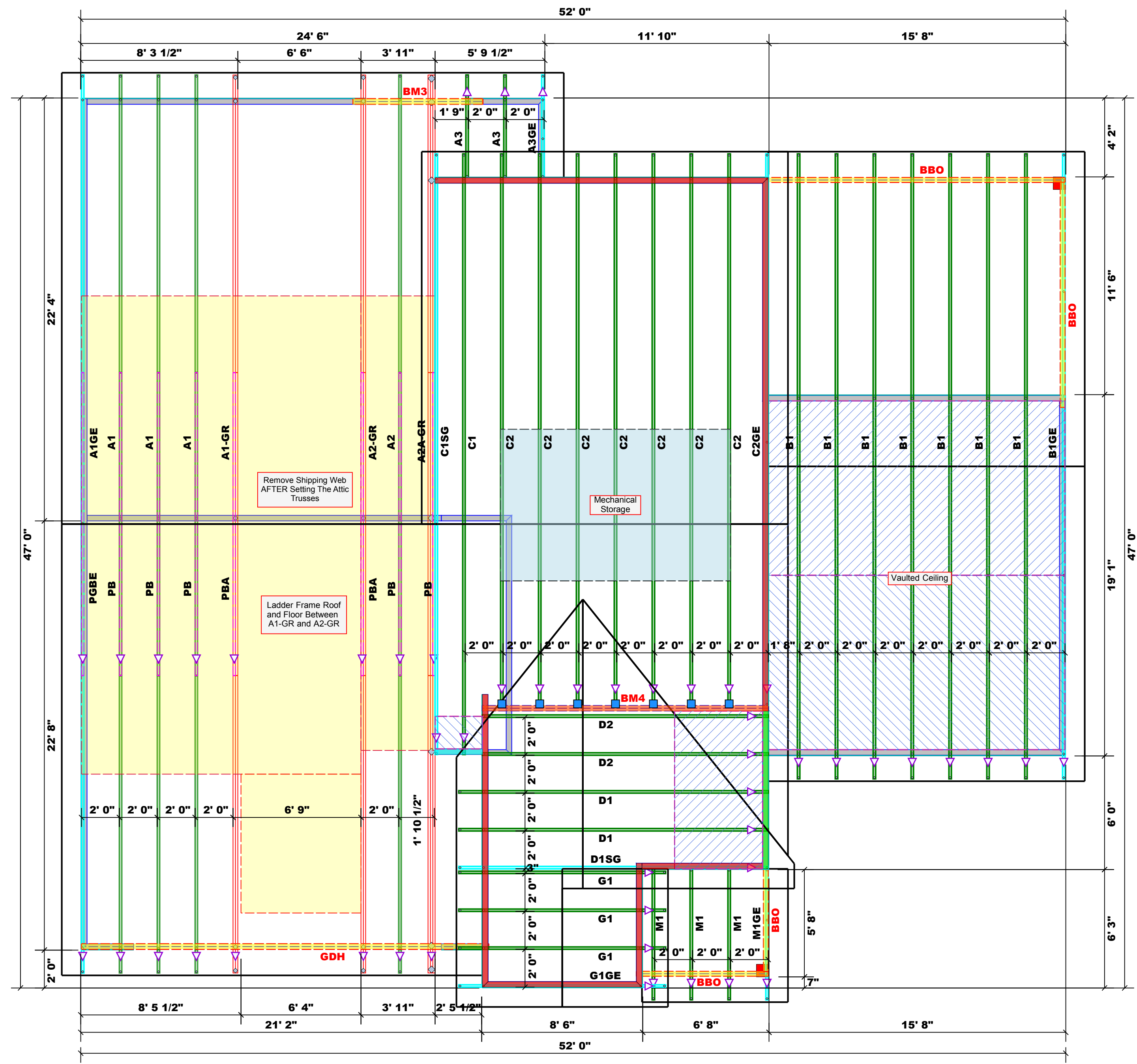
- Box Storage
- 6' 11-3/4" Walls
- 14' 7-1/4" Walls
- 2nd Floor Walls
- Vaulted Ceiling
- Drop Beam

Connector Information					Nail Information	
Sym	Product	Manuf	Qty	Supported Member	Header	Truss
■	HUS26	USP	7	NA	16d/3-1/2"	16d/3-1/2"

Products - Field Framed					
PlotID	Length	Product	Plies	Net Qty	
BM1	19' 0"	1-3/4"x 18" LVL Kerto-S	2	2	2
BM2	5' 0"	1-3/4"x 14" LVL Kerto-S	2	2	2
BM3	7' 0"	1-3/4"x 9-1/4" LVL Kerto-S	2	2	2
GDH	22' 0"	1-3/4"x 18" LVL Kerto-S	2	2	2

Products - Field Framed					
PlotID	Length	Product	Plies	Net Qty	
BM4	16' 0"	1-3/4"x 14" LVL Kerto-S	2	2	2

1 Truss Placement Plan
Scale: 1/4"=1'



BUILDER	JOB NAME	PLAN	SEAL DATE	QUOTE #	JOB #
Precision Custom Homes and Renovations	Lot 72 Liberty Meadows	Anconia	N/A		J0124-0350

CITY / CO.	ADDRESS	MODEL	DATE REV.	DRAWN BY	SALES REP.
Cameron / Harnett	Lot 72 Liberty Meadows	Roof	05/22/24	David Landry	Neil Baggett

THIS IS A TRUSS PLACEMENT DIAGRAM ONLY. These trusses are designed as individual building components to be incorporated into the building design at the specification of the building designer. See individual design sheets for each truss design identified on the placement drawing. The building designer is responsible for temporary and permanent bracing of the roof and floor system and for the overall structure. The design of the truss support structure including headers, beams, walls, and columns is the responsibility of the building designer. For general guidance regarding bracing, consult BCSI-B1 and BCSI-B3 provided with the truss delivery package or online @ sbcindustry.com

▲ = Indicates Left End of Truss
(Reference Engineered Truss Drawing)
Do NOT Erect Truss Backwards

North Carolina 2018 - R402.1.5 Total UA



Property

32 Brewster Ct
Cameron, NC 28326
Model: Anconia
Community: Liberty Meadows

Organization

Southern Energy Manager
Justin Smith

Inspection Status

Results are projected

Builder

SMG Precision Properties

Template - SMG Precision - Liberty Meadows Lot 33 - CZ 4 slab - Liberty Meadows Lot 33

This report is based on a proposed design and does not confirm field enforcement of design elements.

Building UA

Elements	NC Reference	As Designed
Ceilings	52.2	49.6
Above-Grade Walls	219.5	163.0
Windows, Doors and Skylights	122.3	110.4
Slab Floor:	95.1	123.3
Framed Floors	15.8	17.2
Foundation Walls	0.0	0.0
Rim Joists	7.4	6.0
Overall UA (Design must be equal or lower):	512.3	469.5

Requirements

✓	R402.1.5	Total UA alternative compliance passes by 8.4%. The proposed home meets the UA requirement by 8.4%
✓	402.3.2	Average SHGC: 0.28 Max SHGC: 0.30 Average SHGC of 0.28 is greater than the maximum of 0.30.
✓	R402.4.2.2	Air Leakage Testing Air sealing is 0.27 CFM50 / ft² Shell Area. It must not exceed 0.30 CFM50 / ft² Shell Area.
✓	R402.5	Area-weighted average fenestration SHGC Area-weighted average fenestration SHGC is 0.28. The maximum allowed value is [No Limit].
✓	R402.5	Area-weighted average fenestration U-Factor
✓	R404.1	Lighting Equipment At least 75.0% of fixtures shall be high-efficacy lamps, currently 100.0% are high-efficacy.
✓	Mandatory Checklist	Mandatory code requirements that are not checked by Ekotrope must be met. 2015 IECC Mandatory Checklist must be checked as complete.
✓	R403.3.1	Duct Insulation Duct insulation meets the requirements specified in North Carolina 2018 Code Section 403.3.1.
✓	403.3.3	Duct Testing

Design exceeds requirements for North Carolina 2018 Prescriptive compliance by 8.4%.

Name: Justin Smith
Organization: Southern Energy Management

Signature: Justin Smith
Digitally signed: 2/1/23 at 10:15 AM

Ekotrope RATER - Version 4.0.2.3086

North Carolina 2018 Prescriptive compliance results calculated using Ekotrope RATER's energy and code compliance algorithm, including appropriate amendments. Ekotrope RATER is a RESNET Accredited HERS Rating Tool. All results are based on data entered by Ekotrope users. Ekotrope disclaims all liability for the information shown on this report.

Building Summary



SOUTHERN ENERGY
MANAGEMENT
ENERGY EFFICIENCY & SOLAR POWER

Property

32 Brewster Ct
Cameron, NC 28326
Model: Anconia
Community: Liberty Meadows

Organization

Southern Energy Management
Justin Smith

Inspection Status

Results are projected

Builder

SMG Precision Properties

Template - SMG Precision - Liberty Meadows Lot 33
- CZ 4 slab - ecoSelect
Liberty Meadows Lot 33

General Building Information

Number Of Bedrooms	4
Number Of Floors	2
Conditioned Floor Area [sq. ft.]	2,477
Has Electric Vehicle Ready Space	No
Unconditioned, attached garage?	Yes
Conditioned Volume [cu. ft.]	22,622
Total Units in Building	1
Residence Type	Single family detached
Number of Floors in Building	-
Floor Number	-
Model	Anconia
Community	Liberty Meadows
RESNET/IECC 2006-2018 Climate Zone	4A
IECC 2021 Climate Zone	3A

Foundation Wall

None Present

Foundation Wall Library List

None Present

Slab

Name	Library Type	Perimeter	Floor Grade	Carpet R	Exposed Masonry Area	Surface Area	Location	Enclosing
slab	Uninsulated	200	On Grade	1	0	1,403.0 ft²	Exposed Exterior	Conditioned Space

Slab Library List

Name	Wall Construction Type	Slab Completely Insulated?	Underslab Insulation Width [ft]	Perimeter Insulation Depth [ft]	Perimeter Insulation R Value	Thermal Break	Effective R-value
Uninsulated	Wood Frame / Other	No	0	0	0	No	0.00

Building Summary



Property
 32 Brewster Ct
 Cameron, NC 28326
 Model: Anconia
 Community: Liberty Meadows

Organization
 Southern Energy Management
 Justin Smith

Inspection Status
 Results are projected

SOUTHERN ENERGY MANAGEMENT
 ENERGY EFFICIENCY & SOLAR POWER

Template - SMG Precision - Liberty Meadows Lot 33
 - CZ 4 slab - ecoSelect
 Liberty Meadows Lot 33

Framed Floor					
Name	Library Type	Carpet R	Floor Grade	Surface Area	Location
over garage	R 19, 16"OC G1 Carpet	0	Above Grade	337.0 ft ²	Unconditioned, attached garage

Framed Floor Library List	
Name	Effective R-value
R 19, 16"OC G1 Carpet	19.566

Rim Joist			
Name	Library Type	Surface Area	Location
1st floor ambient	R 19 G1, 16"OC	87.0 ft ²	Exposed Exterior
1st floor garage	R 19 G1, 16"OC	47.0 ft ²	Unconditioned, attached garage

Rim Joist Library List	
Name	Effective Insulation R-value
R 19 G1, 16"OC	17.30

Wall				
Name	Library Type	Surface Color	Surface Area	Location
1st floor ambient	R 19 Adv. Framing G1 16" O.C	Medium	1,381.0 ft ²	Exposed Exterior
1st floor garage	R 19 Adv. Framing G1 16" O.C	Medium	419.0 ft ²	Unconditioned, attached garage
2nd floor ambient	R 19 Adv. Framing G1 16" O.C	Medium	694.0 ft ²	Exposed Exterior
2nd floor attic	R 19 Adv. Framing G1 16" O.C	Medium	706.0 ft ²	Attic

Building Summary



Property
 32 Brewster Ct
 Cameron, NC 28326
 Model: Anconia
 Community: Liberty Meadows

Organization
 Southern Energy Management
 Justin Smith

Inspection Status
 Results are projected

SOUTHERN ENERGY MANAGEMENT
 ENERGY EFFICIENCY & SOLAR POWER

Template - SMG Precision - Liberty Meadows Lot 33
 - CZ 4 slab - ecoSelect
 Liberty Meadows Lot 33

Builder
 SMG Precision Properties

Wall Library List

Name	Effective R-value
R 19 Adv. Framing G1 16" O.C	17.492

Glazing

Name	Library Type	Wall Assignment	Foundation Wall Assignment	Is Operable	Overhang Depth	Overhang Ft To Top	Overhang Ft To Bottom	Orientation	Surface Area
front 2nd unshaded	33/28	2nd floor ambient		Yes	0	0	0	Southeast	42.2 ft²
front unshaded	33/28	1st floor ambient		Yes	0	0	0	Southeast	27.0 ft²
left shaded	33/28	1st floor ambient		Yes	15	1	6	Southwest	27.0 ft²
left unshaded	33/28	1st floor ambient		Yes	0	0	0	Southwest	27.0 ft²
rear 2nd unshaded	33/28	2nd floor ambient		Yes	0	0	0	Northwest	27.0 ft²
rear shaded	33/28	1st floor ambient		Yes	12	2	9	Northwest	40.2 ft²
rear unshaded	33/28	1st floor ambient		Yes	0	0	0	Northwest	60.0 ft²
right 2nd unshaded	33/28	2nd floor ambient		Yes	0	0	0	Northeast	54.0 ft²
right unshaded	33/28	1st floor ambient		Yes	0	0	0	Northeast	7.0 ft²

Glazing Library List

Name	Shgc	U-factor
33/28	0.28	0.330

Skylight

None Present

Building Summary



Property
 32 Brewster Ct
 Cameron, NC 28326
 Model: Anconia
 Community: Liberty Meadows

Organization
 Southern Energy Management
 Justin Smith

Inspection Status
 Results are projected

Builder
 SMG Precision Properties

Template - SMG Precision - Liberty Meadows Lot 33
 - CZ 4 slab - ecoSelect
 Liberty Meadows Lot 33

Skylight Library List

None Present

Opaque Door

Name	Library Type	Wall Assignment	Foundation Wall Assignment	Emittance	Solar Absorptance	Surface Color	Surface Area	Location
front entry	Fiberglass R-5	1st floor ambient		0.9	0.75	Medium	20.0 ft ²	Exposed Exterior
garage entry	Fiberglass R-5	1st floor garage		0.9	0.75	Medium	18.0 ft ²	Unconditioned, attached garage

Opaque Door Library List

Name	Effective U-factor
Fiberglass R-5	0.200

Roof Insulation

Name	Library Type	Attic Exterior Area [ft ²]	Clay or Concrete Roof Tiles	Surface Color	Surface Area	Location
attic	R 38 Attic BLOWN FG G1 2x10 24"OC NO Radiant Barrier	2,557.8	No	Dark	1,740.0 ft ²	Attic

Roof Insulation Library List

Name	Has Radiant Barrier	Effective R-value
R 38 Attic BLOWN FG G1 2x10 24"OC NO Radiant Barrier	No	35.115

Whole House Infiltration

Infiltration	Measurement Type	Shelter Class
1809 CFM at 50 Pa	Blower-door tested	4

Building Summary



Property
32 Brewster Ct
Cameron, NC 28326
Model: Anconia
Community: Liberty Meadows

Organization
Southern Energy Management
Justin Smith

Inspection Status
Results are projected

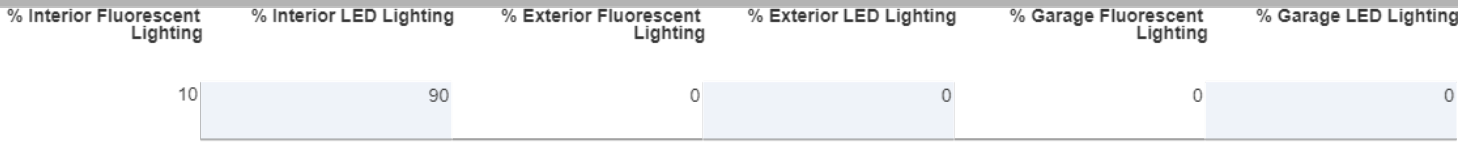
Builder
SMG Precision Properties

Template - SMG Precision - Liberty Meadows Lot 33
- CZ 4 slab - ecoSelect
Liberty Meadows Lot 33

Mechanical Ventilation

None Present

Lighting



Onsite Generation

None Present

Onsite Generation Library List

None Present

Solar Generation

None Present

Dehumidifier

None Present

Dehumidifier Library List

None Present

Building Summary



Property
 32 Brewster Ct
 Cameron, NC 28326
 Model: Anconia
 Community: Liberty Meadows

Organization
 Southern Energy Management
 Justin Smith

Inspection Status
 Results are projected

Template - SMG Precision - Liberty Meadows Lot 33
 - CZ 4 slab - ecoSelect
 Liberty Meadows Lot 33

Builder
 SMG Precision Properties

Whole House Fan

None Present

Whole House Fan Library List

None Present

Conditioning Equipment

Name	Library Type	Serial Number	Heating Percent Load	Cooling Percent Load	Hot Water Percent Load	Location
1st floor heat pump	z 24k 14 SEER 8.2hspf		57%	57%	0%	Attic
2nd floor heat pump	z 30k 14 SEER 8.2hspf		43%	43%	0%	Attic
Water Heating	z 50 gal. 0.95 EF Elec		0%	0%	100%	Unconditioned Garage

Equipment Type: z 24k 14 SEER 8.2hspf

Equipment Type	Air Source Heat Pump
Fuel Type	Electric
Distribution Type	Forced Air
Motor Type	PSC (Single Speed)
Heating Efficiency	8.2 HSPF
Heating Capacity [kBtu/h]	24
Backup Fuel Type	Electric
Switchover Temperature [°F]	0
Backup Heating Efficiency	1 COP
Use default Supplemental Heat	Yes
Cooling Efficiency	14 SEER
Cooling Capacity [kBtu/h]	24

Building Summary



SOUTHERN ENERGY
MANAGEMENT
ENERGY EFFICIENCY & SOLAR POWER

Property

32 Brewster Ct
Cameron, NC 28326
Model: Anconia
Community: Liberty Meadows

Organization

Southern Energy Management
Justin Smith

Inspection Status

Results are projected

Builder

SMG Precision Properties

Template - SMG Precision - Liberty Meadows Lot 33
- CZ 4 slab - ecoSelect
Liberty Meadows Lot 33

Equipment Type: z 30k 14 SEER 8.2hspf

Equipment Type	Air Source Heat Pump
Fuel Type	Electric
Distribution Type	Forced Air
Motor Type	PSC (Single Speed)
Heating Efficiency	8.2 HSPF
Heating Capacity [kBtu/h]	30
Backup Fuel Type	Electric
Switchover Temperature [°F]	0
Backup Heating Efficiency	1 COP
Use default Supplemental Heat	Yes
Cooling Efficiency	14 SEER
Cooling Capacity [kBtu/h]	30

Equipment Type: z 50 gal. 0.95 EF Elec

Equipment Type	Residential Water Heater
Fuel Type	Electric
Distribution Type	Hydronic Delivery (Radiant)
Hot Water Efficiency	0.95 Energy Factor
Tank Capacity (gal.)	50
Hot Water Capacity [kBtu/h]	40
Recovery Efficiency	0.98

Building Summary



Property
 32 Brewster Ct
 Cameron, NC 28326
 Model: Anconia
 Community: Liberty Meadows

Organization
 Southern Energy Management
 Justin Smith

Inspection Status
 Results are projected

Builder
 SMG Precision Properties

Template - SMG Precision - Liberty Meadows Lot 33
 - CZ 4 slab - ecoSelect
 Liberty Meadows Lot 33

Distribution System

Distribution Type	Forced Air
Heating Equipment	1st floor heat pump
Cooling Equipment	1st floor heat pump
Sq. Feet Served	1,403
# Return Grilles	2
Supply Duct R Value	8
Return Duct R Value	8
Supply Duct Area [ft ²]	378.81
Return Duct Area [ft ²]	140.3
Leakage to Outdoors	56 CFM @ 25Pa (3.99 / 100 ft ²)
Total Leakage	56 CFM25
Total Leakage Duct Test Conditions	Post-Construction
Use Default Flow Rate	Yes
Duct 1	
Duct Location	Attic (well vented)
Percent Supply Area	100
Percent Return Area	100
Duct 2	
Duct Location	Conditioned Space
Percent Supply Area	0
Percent Return Area	0
Duct 3	
Duct Location	Conditioned Space
Percent Supply Area	0
Percent Return Area	0
Duct 4	
Duct Location	Conditioned Space
Percent Supply Area	0
Percent Return Area	0
Duct 5	
Duct Location	Conditioned Space
Percent Supply Area	0
Percent Return Area	0
Duct 6	
Duct Location	Conditioned Space
Percent Supply Area	0
Percent Return Area	0

Building Summary



SOUTHERN ENERGY
MANAGEMENT
ENERGY EFFICIENCY & SOLAR POWER

Property

32 Brewster Ct
Cameron, NC 28326
Model: Anconia
Community: Liberty Meadows

Organization

Southern Energy Management
Justin Smith

Inspection Status

Results are projected

Builder

SMG Precision Properties

Template - SMG Precision - Liberty Meadows Lot 33
- CZ 4 slab - ecoSelect
Liberty Meadows Lot 33

Distribution System

Distribution Type	Forced Air
Heating Equipment	2nd floor heat pump
Cooling Equipment	2nd floor heat pump
Sq. Feet Served	1,074
# Return Grilles	2
Supply Duct R Value	8
Return Duct R Value	8
Supply Duct Area [ft ²]	289.98
Return Duct Area [ft ²]	107.4
Leakage to Outdoors	42 CFM @ 25Pa (3.91 / 100 ft ²)
Total Leakage	42 CFM25
Total Leakage Duct Test Conditions	Post-Construction
Use Default Flow Rate	Yes
Duct 1	
Duct Location	Attic (well vented)
Percent Supply Area	100
Percent Return Area	100
Duct 2	
Duct Location	Conditioned Space
Percent Supply Area	0
Percent Return Area	0
Duct 3	
Duct Location	Conditioned Space
Percent Supply Area	0
Percent Return Area	0
Duct 4	
Duct Location	Conditioned Space
Percent Supply Area	0
Percent Return Area	0
Duct 5	
Duct Location	Conditioned Space
Percent Supply Area	0
Percent Return Area	0
Duct 6	
Duct Location	Conditioned Space
Percent Supply Area	0
Percent Return Area	0

HVAC Grading

HVAC Grading Not Conducted

Ceiling Fan

Has Ceiling Fan	No
Cfm Per Watt	100

Building Summary



Property

32 Brewster Ct
Cameron, NC 28326
Model: Anconia
Community: Liberty Meadows

Organization

Southern Energy Management
Justin Smith

Inspection Status

Results are projected

Template - SMG Precision - Liberty Meadows Lot 33
- CZ 4 slab - ecoSelect
Liberty Meadows Lot 33

Builder

SMG Precision Properties

Water Distribution

Water Fixture Type	Low-flow
Use Default Hot Water Pipe Length	No
Hot Water Pipe Length [ft]	100
At Least R3 Pipe Insulation?	No
Hot Water Recirculation System?	No
Recirculation System Pipe Loop Length [ft]	20
Drain Water Heat Recovery?	No

Clothes Dryer

Cef	3.01
Fuel Type	Electric
Field Utilization	Timer Controls
Is Outside Conditioned Space	No
Clothes Dryer Available	Yes
Defaults Type	HERS Reference

Clothes Washer

Label Energy Rating	153 kWh/Year
Annual Gas Cost	\$12.00
Electric Rate	\$0.11/kWh
Gas Rate	\$1.22/Therm
Capacity	3.31
Imef	2.1547
Defaults Type	Custom
Load Type	Front-load
Loads Per Week	6
Is Outside Conditioned Space	No
Clothes Washer Available	Yes

Dishwasher

Dishwasher Efficiency	270 kWh
Dishwasher Size	Standard
Annual Gas Cost	\$22.23
Electric Rate	\$0.12/kWh
Gas Rate	\$1.09/Therm
Is Outside Conditioned Space	No

Building Summary



Property
32 Brewster Ct
Cameron, NC 28326
Model: Anconia
Community: Liberty Meadows

Organization
Southern Energy Management
Justin Smith

Inspection Status
Results are projected

Template - SMG Precision - Liberty Meadows Lot 33
- CZ 4 slab - ecoSelect
Liberty Meadows Lot 33

Builder
SMG Precision Properties

Appliances and Controls

Thermostat Cooling Setpoint	*** 75.0
Thermostat Heating Setpoint	*** 70.0
Range/Oven Fuel	Electric
Convection Oven?	No
Induction Range?	No
Range/Oven Outside Conditioned Space?	No
Refrigerator Consumption	538 kWh/Year
Refrigerator Outside Conditioned Space?	No

Notes

Initial Inputs _____ JS 02/01/22 _____

- confirm HVAC specs
- confirm water heater specs
- confirm ventilation entry
- modeled to worst case orientation
- confirm cfl lighting %

PLAN:
Anconia

RO
TRUS
Reilly
Faye
Pho
Fa

Bearing reactions
deemed to comply
requirements. T
attached Tables
requirements)
size and numbe
reactions great
15000#. A regist
retained to desi
reaction that ex
Tables. A regist
retained to desi
reaction that e

Signature _____

LOAD CH
(BASE
NUMBER OF

REQ. BEARING (PSF)	NO. OF BEAMS	NO. OF JOISTS
1700	1	1
3400	2	2
5100	3	3
6800	4	4
8500	5	5
10200	6	6
11900	7	7
13600	8	8
15300	9	9

SHEET TITLE:
FOUNDATION

PROJECT ADDRESS:
553 Solomon Dr.
Liberty Meadows Lot 72

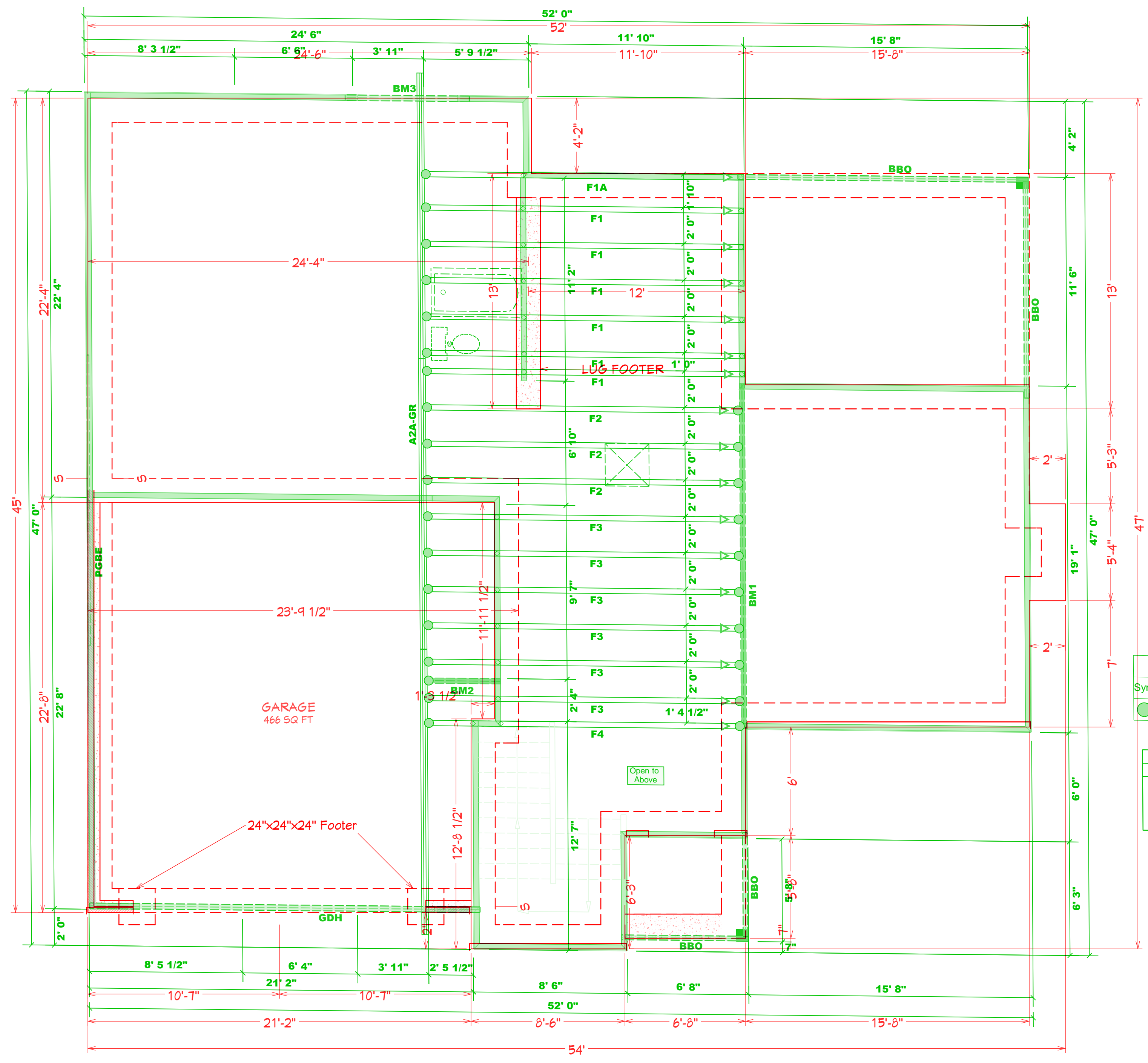
CITY / CO. Cameron / Harnett
ADDRESS Lot 72 Liberty Meadows
DESIGNED BY:
Precision Custom Homes
Raeferd, NC
Shaun@PrecisionCustomHomesNC.com

DATE:
5/17/24

SCALE:
1/4" = 1'

SHEET:
A.2

BUILDER Precision Custom Homes and Renovations
TOR NAME Lot 72 Liberty Meadows
This is a Truss
The trusses
components
design at the
See individu
identified on
designer is r
permanently
for the overa
support stru
and columns
designer. Fo
consult BCS
Truss Deliv



Dimension Notes
1. All exterior wall to wall dimensions are to face of sheathing unless noted otherwise
2. All interior wall dimensions are to face of frame wall unless noted otherwise
3. All exterior wall to truss dimensions are to face of frame wall unless noted otherwise

All Walls Shown Are Considered Load Bearing

Plumbing Drop Notes
1. Plumbing drop locations shown are NOT exact.
2. Contractor to verify ALL plumbing drop locations prior to setting Floor Trusses.
3. Adjust spacing as needed not to exceed 24" oc.

Sym	Connector Information				Nail Information	
	Product	Manuf	Qty	Supported Member	Header	Truss
●	HUS410	USP	28	NA	16d/3-1/2"	16d/3-1/2"

NAME		AREA	
1st FLOOR	1,403 SF	2nd FLOOR	1,074 SF
TOTAL HEATED		2,477 SF	
TOTAL UNDER ROOF		3,192 SF	

PlotID	Length	Product	Plies	Net Qty
BM1	19' 0"	1-3/4"x 18" LVL Kerto-S	2	2
BM2	5' 0"	2"x 14" LVL Kerto-S	2	2
BM3	7' 0"	1-3/4"x 14" LVL Kerto-S	2	2
GDH	22' 0"	1-3/4" x 18" LVL Kerto-S	2	2

1 Truss Placement Plan
Scale: 1/4"=1'

FOUNDATION PLAN
Scale: 1/4" = 1'0"

▲ = Indicates Left End of Truss
(Reference Engineered Truss Drawing)
Do NOT Erect Truss Backwards