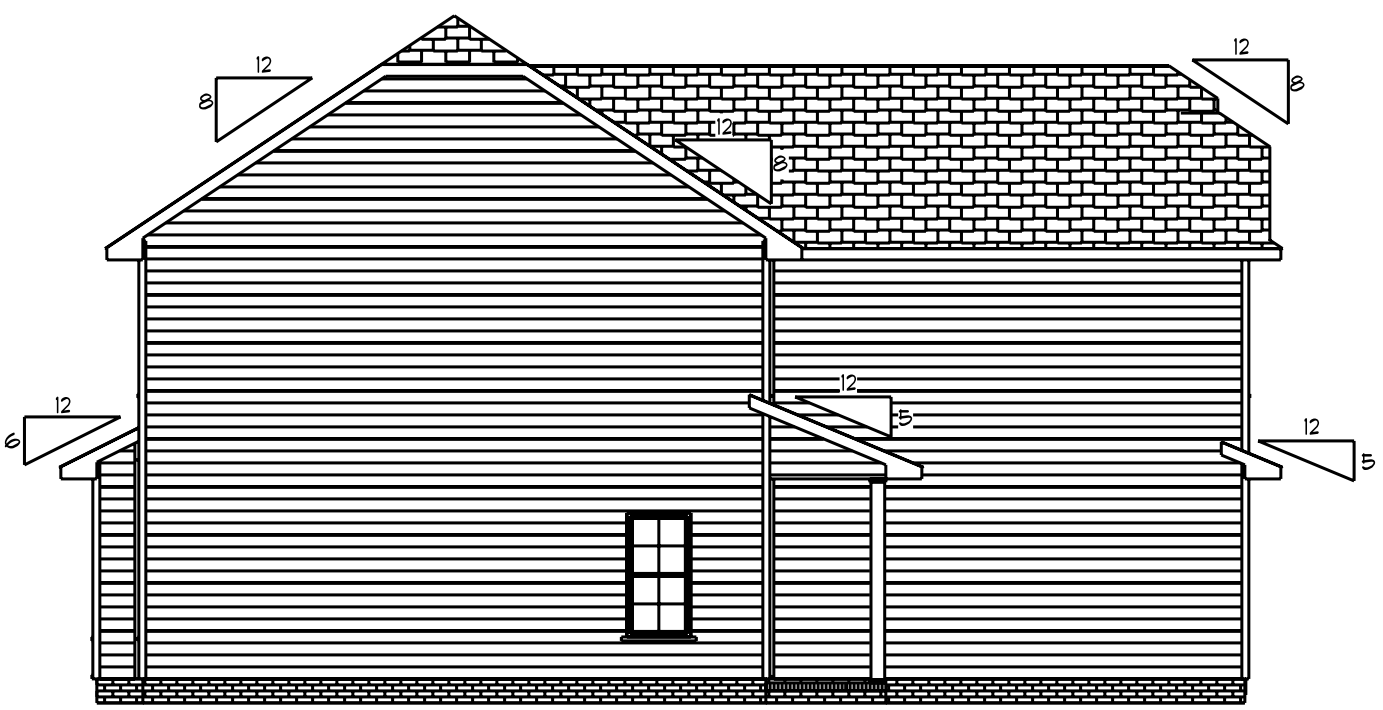




Front Elevation
Scale: 1/4" = 1'0"



Rear Elevation
Scale: 1/8" = 1'0"



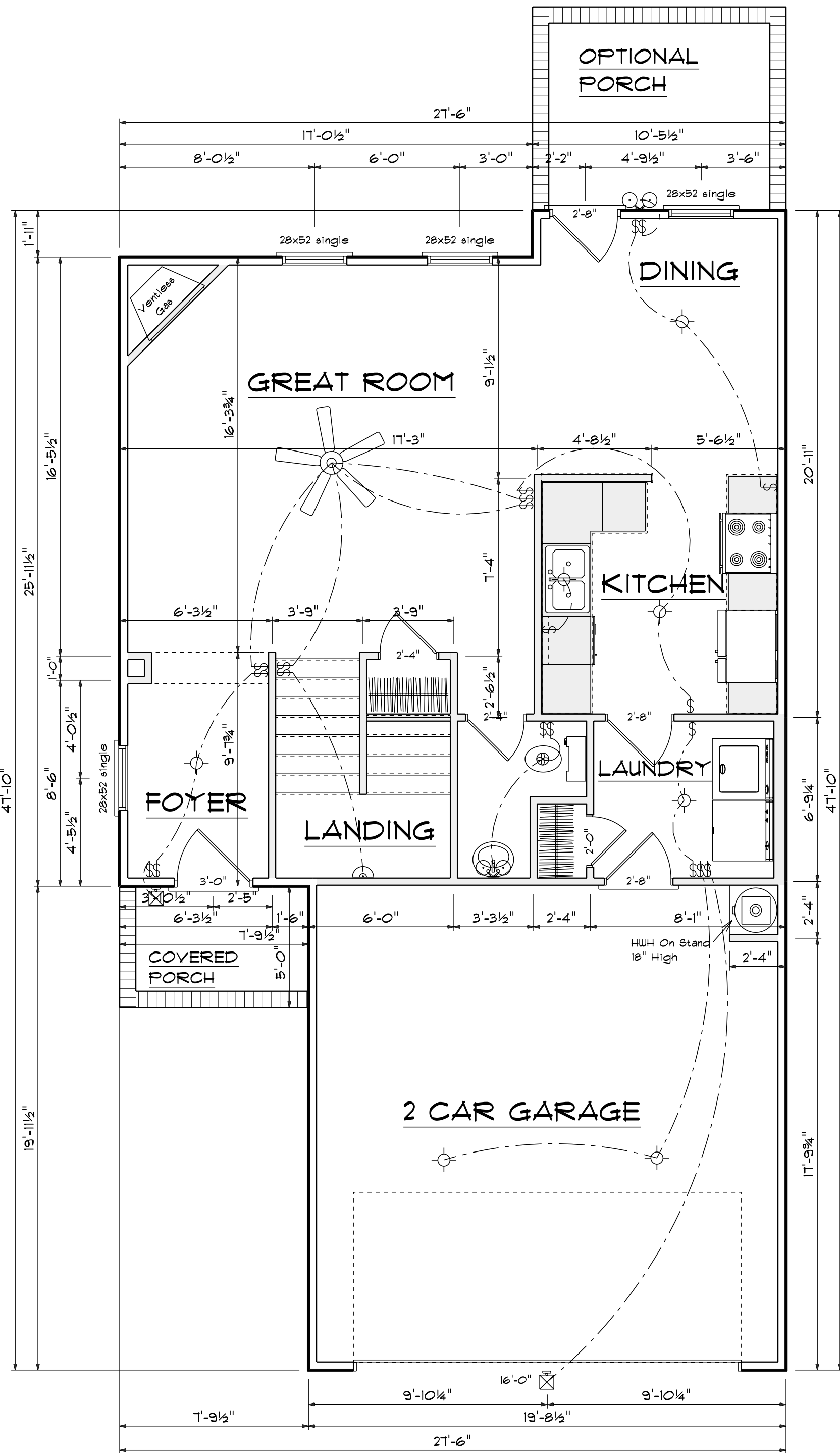
Left Elevation
Scale: 1/8" = 1'0"



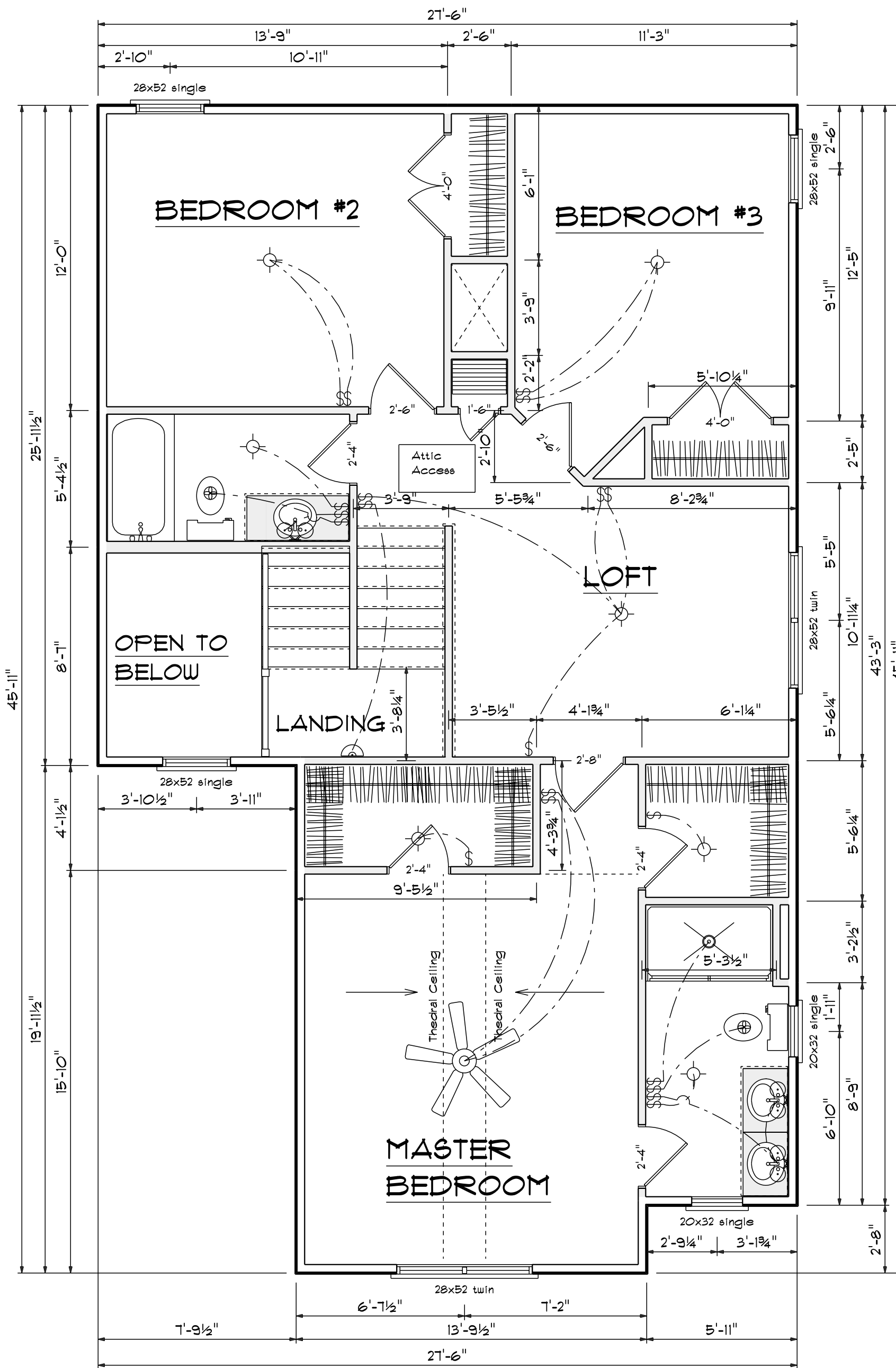
Right Elevation
Scale: 1/8" = 1'0"

| | | |
|----------------|-----------|----------|
| DATE: 1/7/2024 | REVISIONS | DRAWING# |
| SCALE: 1/4" | DRAWN BY | APPROVED |

Plan #14



First Floor Plan
Scale: 1/4" = 1'-0"



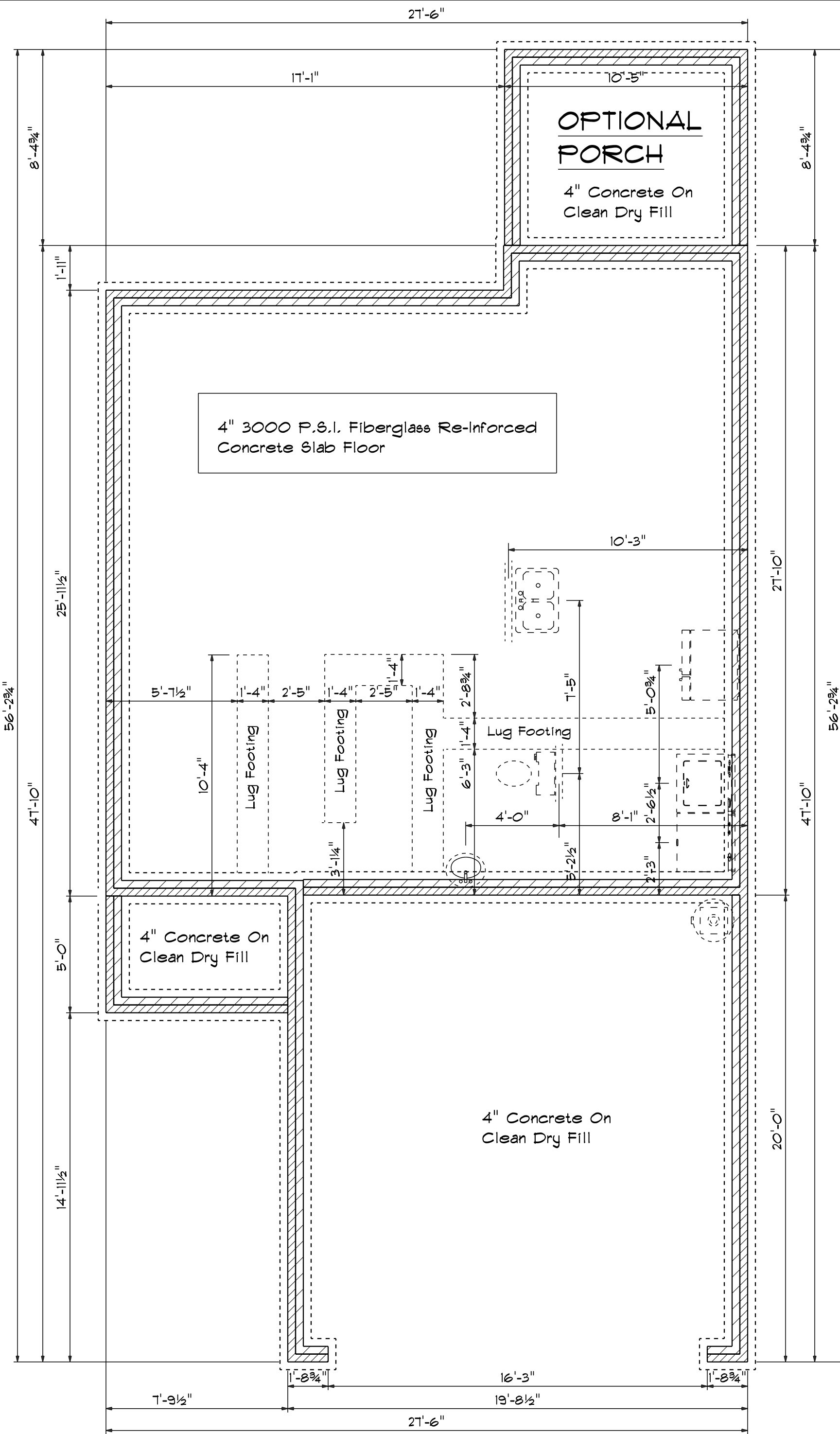
Second Floor Plan
Scale: 1/4" = 1'-0"

Areas

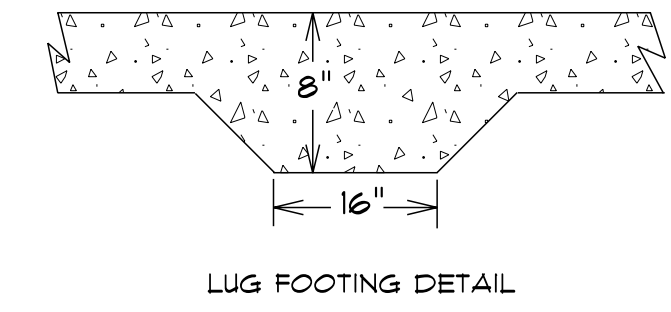
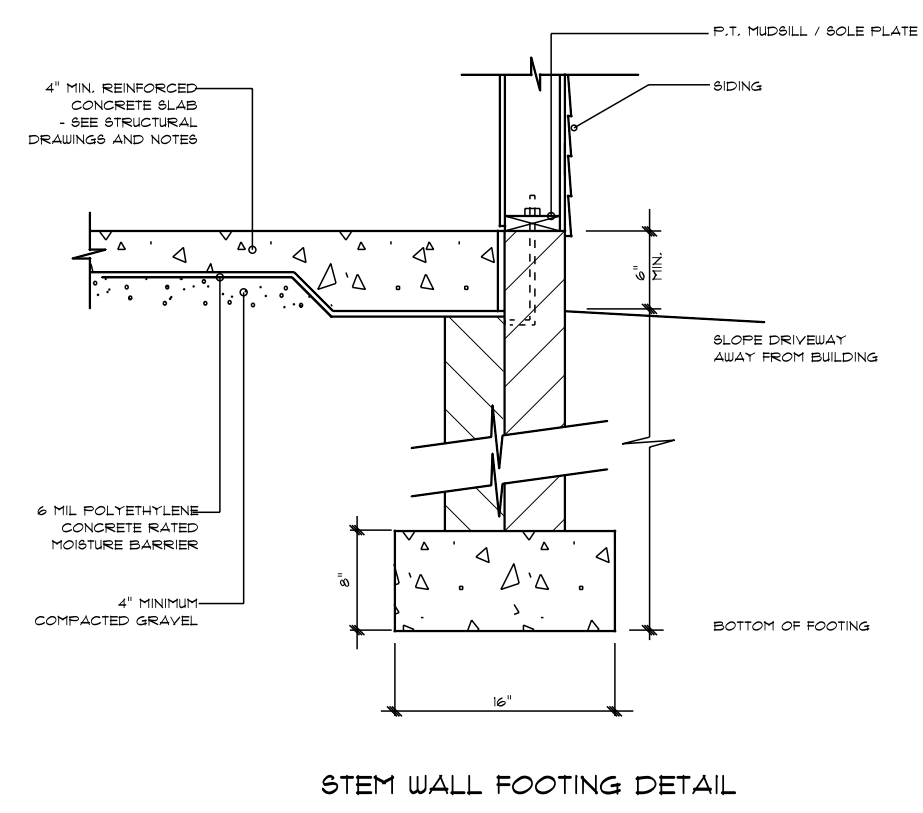
| | |
|---------------------|------|
| First Floor | 731 |
| Second Floor | 982 |
| ===== | |
| Total Heated | 1719 |
| Garage | 336 |
| Front Porch | 39 |
| Optional Rear Porch | 88 |

| | | |
|----------------|----------|----------|
| DATE: 1/7/2024 | REVIS | DRAWING# |
| SCALE: 1/4" | DRAWN BY | APPROVED |

Plan #14



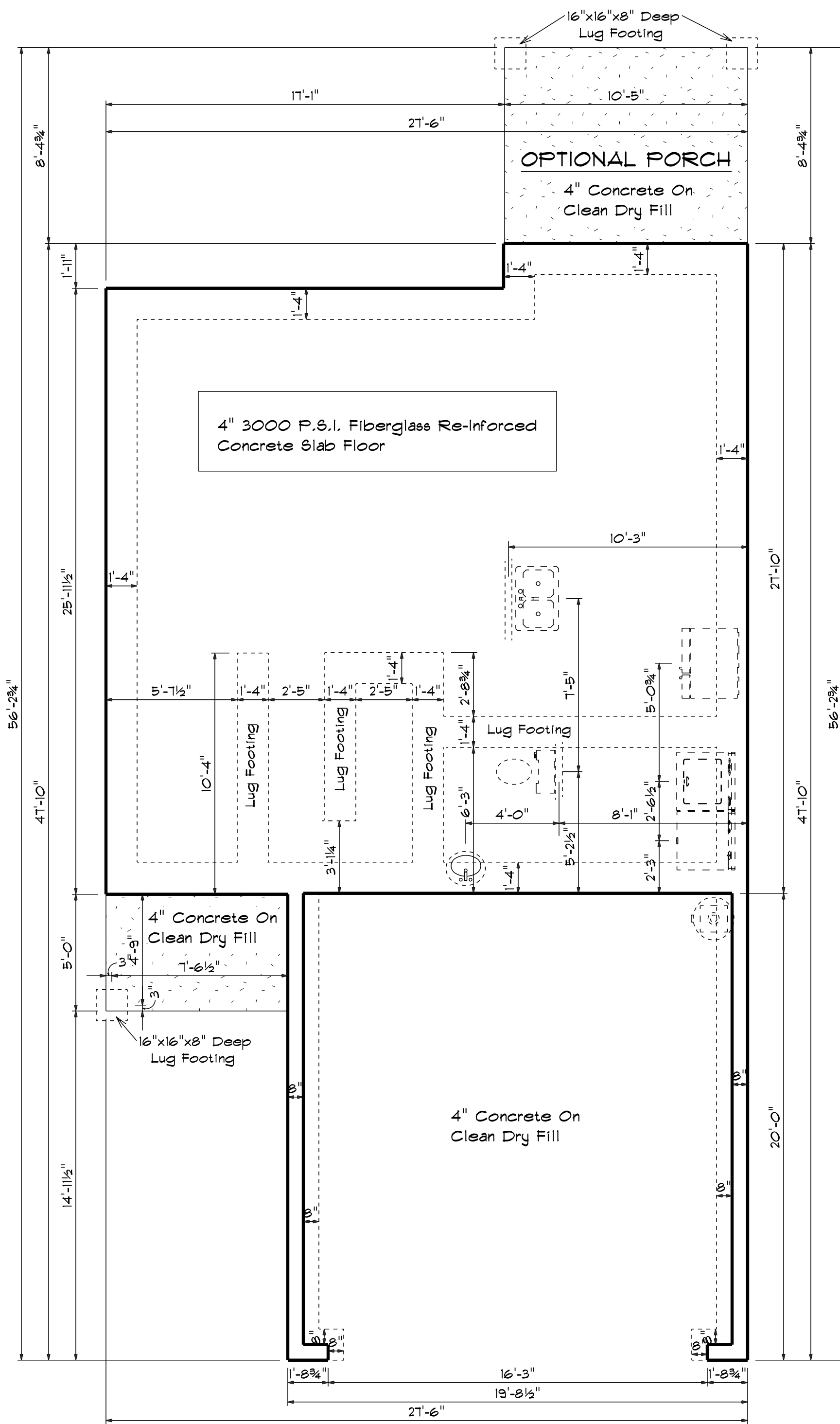
Foundation Plan
Scale: 1/4" = 1'-0"



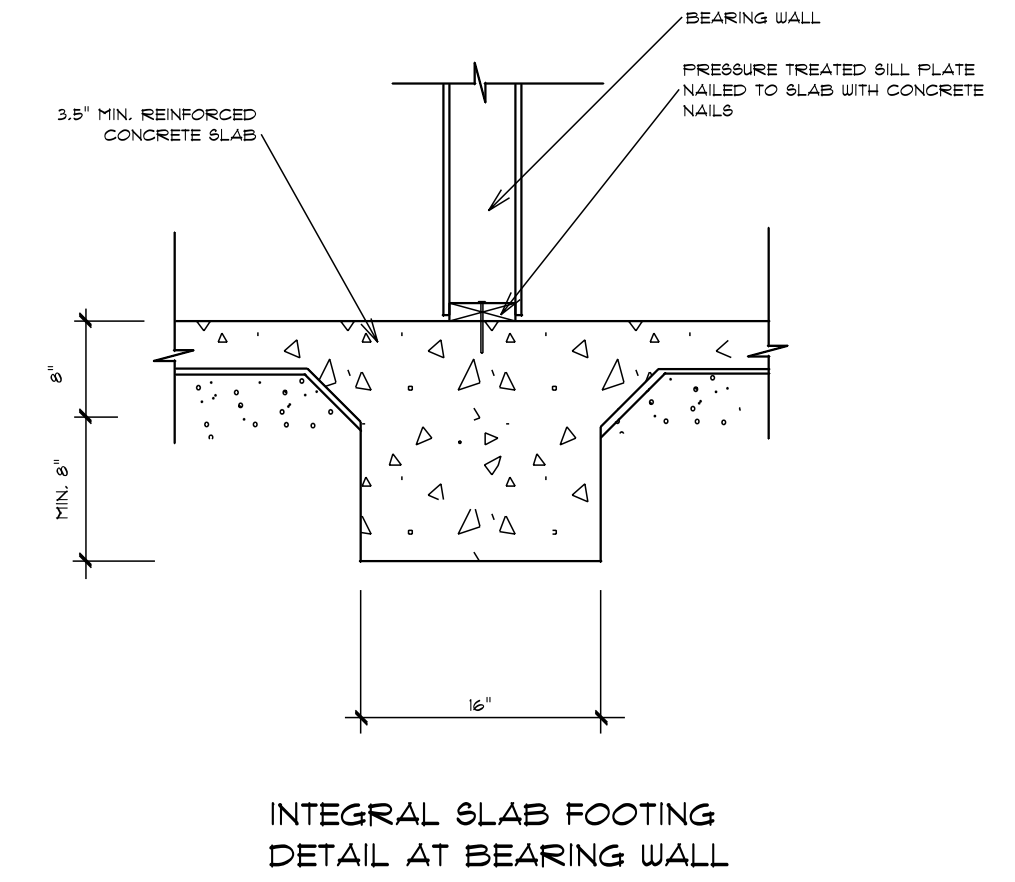
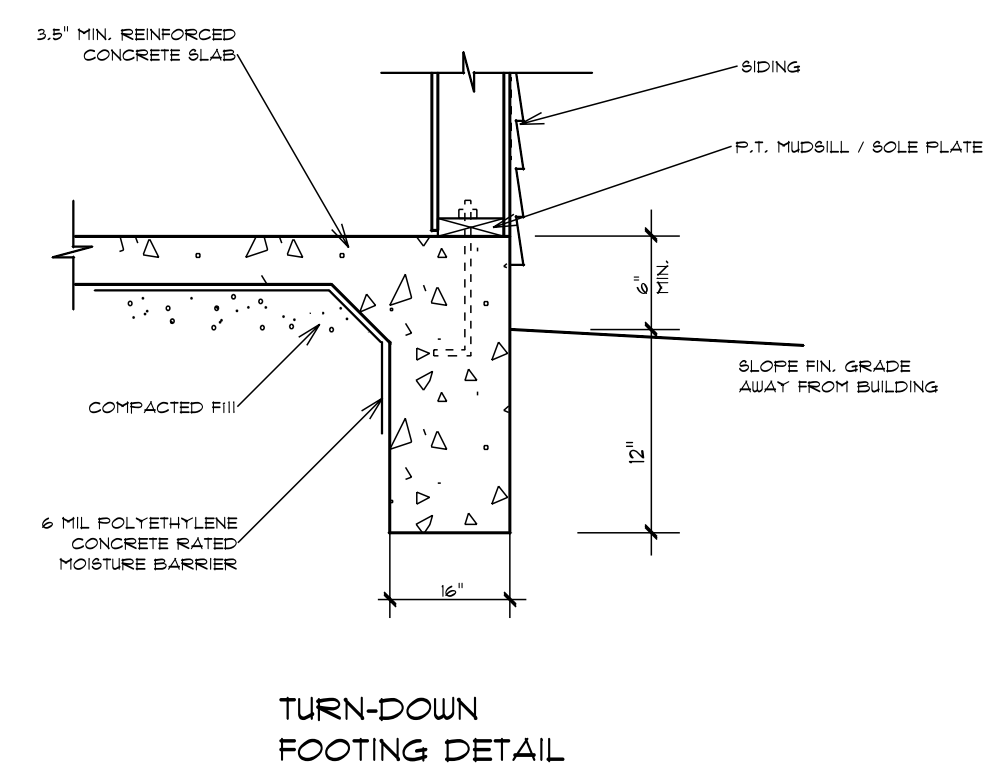
| FIRST FLOOR OPENING SCHEDULE | | | | |
|------------------------------|---------------|-------|----------|-------|
| PRODUCT CODE | SIZE | HINGE | REVERSED | COUNT |
| 2-0 Door Unit | 2'-0" | R | NO | 1 |
| 2-4 Door Unit | 2'-4" | R | NO | 2 |
| 2-8 Door Unit | 2'-8" | L | NO | 1 |
| 2-8 Door Unit | 2'-8" | R | NO | 1 |
| 28x52 single | 2'-8" x 5'-2" | N | NA | 4 |
| 32X80 FRENCH A 1 | 2'-8" | R | NO | 1 |
| 36X80 COLONIAL A 1 | 3'-0" | R | NO | 1 |
| 192X84 - 8 PANEL GARAGE DR | 16'-0" | U | NO | 1 |

| SECOND FLOOR OPENING SCHEDULE | | | | |
|-------------------------------|---------------|-------|----------|-------|
| PRODUCT CODE | SIZE | HINGE | REVERSED | COUNT |
| 1-6 Door Unit | 1'-6" | L | NO | 1 |
| 2-4 Door Unit | 2'-4" | L | NO | 1 |
| 2-4 Door Unit | 2'-4" | R | NO | 3 |
| 2-6 Door Unit | 2'-6" | R | NO | 2 |
| 2-8 Door Unit | 2'-8" | L | NO | 1 |
| 4-0 Doublehung Door Unit | 4'-0" | LR | NO | 2 |
| 20x32 single | 2'-0" x 3'-2" | N | NA | 2 |
| 28x52 single | 2'-8" x 5'-2" | N | NA | 3 |
| 28x52 twin | 5'-4" x 5'-2" | NN | NA | 2 |

| | | |
|----------------|-----------|-------------|
| DATE: 1/7/2024 | REVISIONS | SCALE: 1/4" |
| DRAWING# | DRAWN BY | APPROVED |



Foundation Plan
Scale: 1/4" = 1'-0"



| FIRST FLOOR OPENING SCHEDULE | | | | |
|------------------------------|---------------|-------|----------|-------|
| PRODUCT CODE | SIZE | HINGE | REVERSED | COUNT |
| 2-0 Door Unit | 2'-0" | R | NO | 1 |
| 2-4 Door Unit | 2'-4" | R | NO | 2 |
| 2-8 Door Unit | 2'-8" | L | NO | 1 |
| 2-8 Door Unit | 2'-8" | R | NO | 1 |
| 28x52 single | 2'-8" x 5'-2" | N | NA | 4 |
| 32X80 FRENCH A 1 | 2'-8" | R | NO | 1 |
| 36X80 COLONIAL A 1 | 3'-0" | R | NO | 1 |
| 192X84 - 8 PANEL GARAGE DR | 16'-0" | U | NO | 1 |

| SECOND FLOOR OPENING SCHEDULE | | | | |
|-------------------------------|---------------|-------|----------|-------|
| PRODUCT CODE | SIZE | HINGE | REVERSED | COUNT |
| 1-6 Door Unit | 1'-6" | L | NO | 1 |
| 2-4 Door Unit | 2'-4" | L | NO | 1 |
| 2-4 Door Unit | 2'-4" | R | NO | 3 |
| 2-6 Door Unit | 2'-6" | R | NO | 2 |
| 2-8 Door Unit | 2'-8" | L | NO | 1 |
| 4-0 Doublehung Door Unit | 4'-0" | LR | NO | 2 |
| 20x32 single | 2'-0" x 3'-2" | N | NA | 2 |
| 28x52 single | 2'-8" x 5'-2" | N | NA | 3 |
| 28x52 twin | 5'-4" x 5'-2" | NN | NA | 2 |

DATE: 1/7/2024
 REVISIONS:
 DRAWING#
 SCALE: 1/4"
 DRAWN BY:
 APPROVED:
Plan #14