



Central Carolina Soil Consulting, PLLC
1900 South Main Street, Suite 110, Wake Forest, NC 27587
Office Number: 919-569-6704

Acknowledgment of Subsurface wastewater evaluation and septic design by Central Carolina Soil Consulting, PLLC. for 98 Pondhurst Lane, Lot 1 (PIN: 0634-81-6092), for issuance of an IP and CA.

For Improvement Permit (IP) issuance:

“The LSS/LG evaluation(s) attached to this application is to be used to issue an Improvement Permit in accordance with G.S. 130A-335(a2) and (a3).”

For Construction Authorization (CA) issuance:

“The plans or evaluations attached to this application are to be used to issue a Construction Authorization in accordance with G.S. 130A-335(a2), (a5) and (a6).”

The LSS evaluation attached to this application was used to produce and design a subsurface wastewater septic system for permitting to obtain an IP and CA in accordance G.S. 130A-335(a2), (a3), (a5) and (a6).

Owner: Elm Street Builders, LLC

Owner’s representative: Christopher Weir

Date: 12/7/2023

CONSTRUCTION AUTHORIZATION FOR G.S. 130A-335(a2)

County: Harnett

PIN/Lot Identifier: 0634-81-6092

Issued To: Elm Street Builders, LLC

Property Location: 98 Pondhurst Lane, Fuquay-Varina, NC 27615, Lot 1

AOWE/PE Plans/Evaluations Provided: Yes No If yes, name and license number of AOWE/PE: Jason Hall, AOWE #10004E

Facility Type: Single Family, 4-Bedroom

New Expansion Repair System Relocation Change of Use

Basement? Yes No Basement Fixtures? Yes No

Type of Wastewater System* IIIB, Pressure Manifold (LPC) (Initial) IIIB, Pressure Manifold (LPC) (Repair)

**Please include system classification for proposed wastewater system types in accordance with 15A NCAC 18A .1961 Table V(a)*

Design Daily Flow: 480 GPD Wastewater Strength: domestic high strength industrial process

Session Law 2014-120 Section 53, Engineering Design Utilizing Low-flow Fixtures and Low-flow Technologies? Yes No
(if yes, please provide engineering documentation)

Installation Requirements/Conditions

Septic Tank Size: 1500 gallons Total Trench/Bed Length: 662 feet Trench/Bed Spacing: 9 feet on center

Trench/Bed Width: 36 inches LTAR 0.25 gpd/ft²

Additional Soil Cover: 8 inches Slope Corrected Maximum Trench/Bed Depth[†]: 8 inches ** Measured on the downhill side of the trench*

Aggregate Depth: n/a inches above pipe n/a inches below pipe n/a inches total

Pump Tank Size (if applicable): 1500 gallons Requires more than 1 pump? Yes No

Pump Requirements: 39.75 ft. TDH vs. 50.09 GPM Grease Trap Size (if applicable): n/a gallons

Distribution Method: Serial D-Box or Parallel Pressure Manifold(s) LPP Other: _____

Artificial Drainage Required: Yes No If yes, please specify details: _____

Legal Agreements (If the answer is "Yes" to any type of legal agreements, please attach a copy of the agreement.)

Multi-party Agreement Required [.1937(h)]: Yes No

Easement, Right-of-Way, or Encroachment Agreement Required [.1938(j)]: Yes No

Declaration of Restrictive Covenants: Yes No

Pre-Construction Conference Required: Yes No

Conditions: 8" of Approved Additional Cover Material Required

Quick4 Plus Standard Low Profile Chambers to be used

Quick4 Plus All-in-One 8 Endcaps to be used

The construction and installation requirements of Rules .1950, .1952, .1954, .1955, .1956, .1957, .1958, and .1959 are incorporated by reference into this permit and shall be met. Systems shall be installed in accordance with the attached system layout.

AOWE/PE Print Name: Jason Hall

Expiration Date: 12/31/2023

AOWE/PE Signature:

Date: 12/06/2023

This AOWE/PE submittal is pursuant to and meets the requirements of G.S. 130A-335(a2) and (a5).

See attached site sketch



This Section for Local Health Department Use Only

Initial submittal received: _____ by _____
Date Initials

G.S. 130A-335(a5) states the following:

When an applicant for a Construction Authorization, or an Improvement Permit and Construction Authorization together, submits a Construction Authorization, or an Improvement Permit and Construction Authorization application together, the permit fee charged by the local health department, the common form developed by the Department, and any necessary signed and sealed plans or evaluations conducted by a person licensed pursuant to Chapter 89C of the General Statutes as a licensed engineer or a person certified pursuant to Article 5 of Chapter 90A of the General Statutes as an Authorized On-Site Wastewater Evaluator, the local health department shall, within five business days of receiving the application, conduct a completeness review of the submittal. A determination of completeness means that the Construction Authorization or Improvement Permit and Construction Authorization includes all of the required components. If the local health department determines that the Construction Authorization or Improvement Permit and Construction Authorization is incomplete, the local health department shall notify the applicant of the components needed to complete the Construction Authorization or Improvement Permit and Construction Authorization. The applicant may submit additional information to the local health department to cure the deficiencies in the Construction Authorization or Improvement Permit and Construction Authorization. The local health department shall make a final determination as to whether the Construction Authorization or Improvement Permit and Construction Authorization is complete within five business days after the local health department receives the additional information from the applicant. If the local health department fails to act within any period set out in this subsection, the applicant may treat the failure to act as a determination of completeness. The applicant may apply for the building permit for the project upon the decision of completeness of the Construction Authorization or Improvement Permit and Construction Authorization by the local health department or if the local health department fails to act within five business days. The Authorized On-Site Wastewater Evaluator or licensed engineer submitting the evaluation pursuant to this subsection may request that the local health department revoke or suspend the Construction Authorization or Improvement Permit and Construction Authorization for cause. Upon written request of the Authorized On-Site Wastewater Evaluator or licensed engineer, the local health department shall suspend or revoke the Construction Authorization or Improvement Permit and Construction Authorization pursuant to G.S. 130A-23. The Department shall develop a common form for use as the Construction Authorization.

The review for completeness of this Construction Authorization was conducted in accordance with G.S. 130A-335(a5). This Construction Authorization is determined to be:

Incomplete (If box is checked, information in this section is required.)

The following items are missing: _____

Copies of this were sent to the AOWE/PE and the Applicant on _____
Date

State Authorized Agent: _____ Date: _____

Complete

State Authorized Agent: _____ Date of Issuance: _____

This Construction Authorization is issued pursuant to G.S. 130A-335(a2) and (a5) using the signed and sealed plans or evaluations attached here. This Construction Authorization is subject to revocation if the site plan, plat, or the intended use changes. The Construction Authorization shall not be affected by a change in ownership of the site. This Construction Authorization is subject to compliance with the provisions of the Laws and Rules for Sewage Treatment and Disposal and to the conditions of this permit.

The Department, the Department's authorized agents, and the local health departments shall be discharged and released from any liabilities, duties, and responsibilities imposed by statute or in common law from any claim arising out of or attributed to plans, evaluations, preconstruction conference findings, submittals, or actions from a person licensed pursuant to Chapter 89C of the General Statutes as a licensed engineer or a person certified pursuant to Article 5 of Chapter 90A of the General Statutes as an Authorized On-Site Wastewater Evaluator in GS 130A-335(a2), (a5), and (a7). The Department, the Department's authorized agents, and the local health departments shall be responsible and bear liability for their actions and evaluations and other obligations under State law or rule, including the issuance of the operations permit pursuant to GS 130A-337.

Construction Authorization Expiration Date: _____

See attached site sketch

Re-submittal of Construction Authorization

LHD USE ONLY: This CA resubmittal received: _____ by _____
Date *Initials*

The following items are being resubmitted pursuant to G.S. 130A-335(a5) for issuance of the Construction Authorization:

I, _____ hereby attest that the information required to be included with this re-submittal
Authorized Onsite Wastewater Evaluator (Print Name)
is accurate and complete to the best of my knowledge and that the proposed Construction Authorization meets all applicable federal, State, and local laws, regulations, rules, and ordinances.

Signature of Authorized On-Site Wastewater Evaluator *Date*

The section below is for Local Health Department use after submittal of items noted as missing above.

LHD Follow-up Completeness Review of Construction Authorization

The review for completeness of this Construction Authorization re-submittal was conducted in accordance with G.S. 130A-335(a5). This Construction Authorization is determined to be:

Incomplete (If box is checked, information in this section is required.)

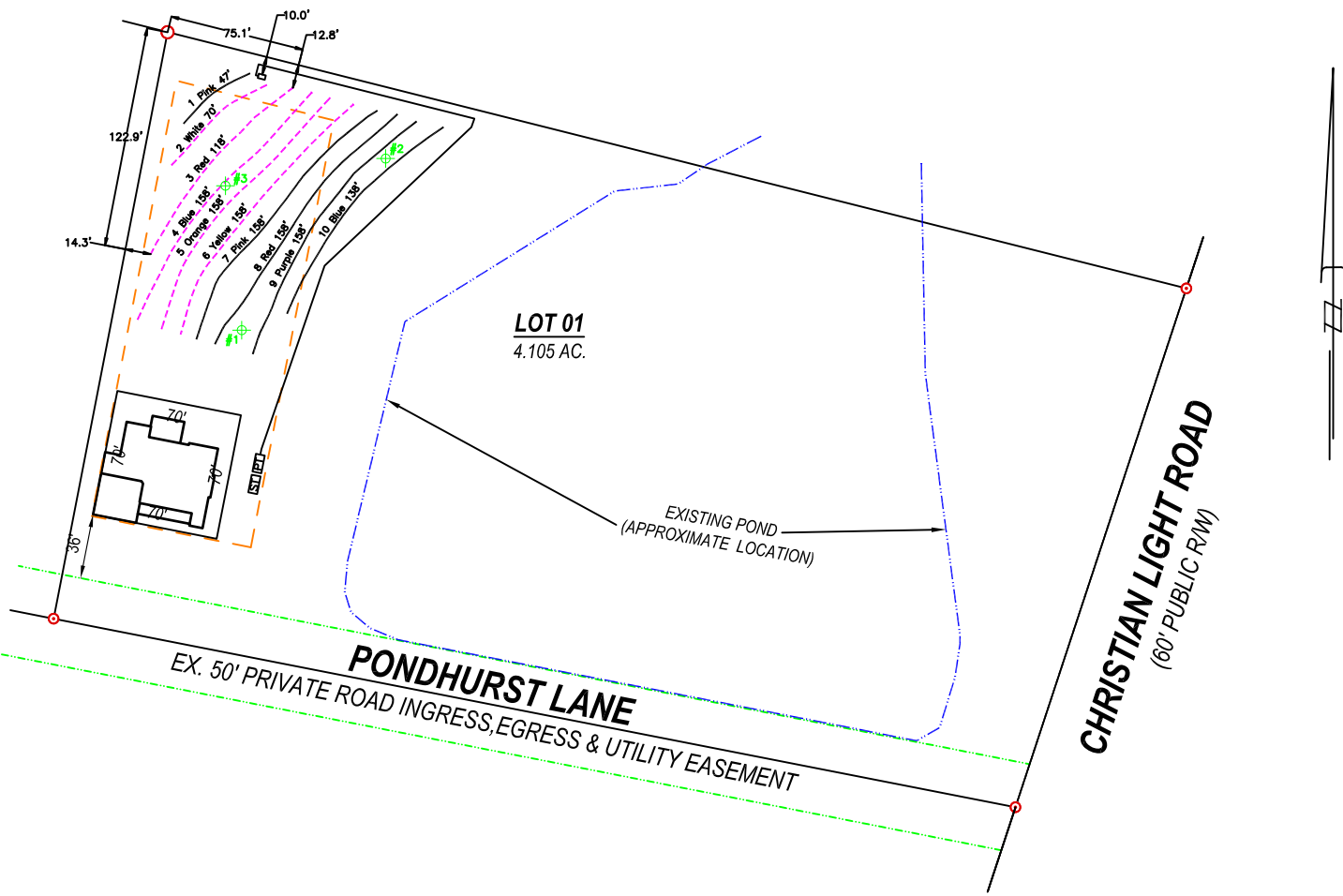
The following items are missing:

Copies of this were sent to the AOWE/PE and the Applicant on _____
Date

State Authorized Agent: _____ Date: _____

Complete

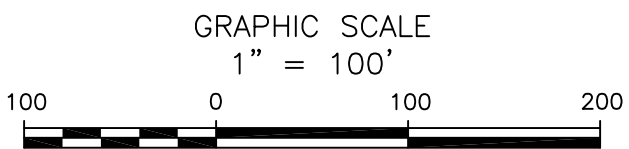
State Authorized Agent: _____ Date: _____



- *Keep tanks and drain lines 10' from property lines.
- *Not a survey.
- *Not a guarantee of a septic permit.
- *Keep supply lines >5' from property lines.
- *Some lines are flagged longer in the field than lengths indicate.
- *No grading septic area.
- *No adding soil within septic area
- *No rutting-up septic area
- *No cuts of >2' within 15' of septic areas

System:	-----
Repair:	—————
	= 1500 gallon tanks
	= profile description locations

System: Pressure Manifold Lines: 2-6, (662')
Quick4 Plus Standard Low Profile Chambers 0.25 Soil LTAR 8" Trench Bottom with 8" of Add. Cover
Repair: Pressure Manifold Lines: 1 & 7-10, (659')
Quick4 Plus Standard Low Profile Chambers 0.25 Soil LTAR 8" Trench Bottom with 8" of Add. Cover



Central Carolina Soil Consulting, PLLC
1900 South Main Street, Suite 110
Wake Forest, North Carolina 27587
Phone (919)569-6704 Fax (919)569-6703

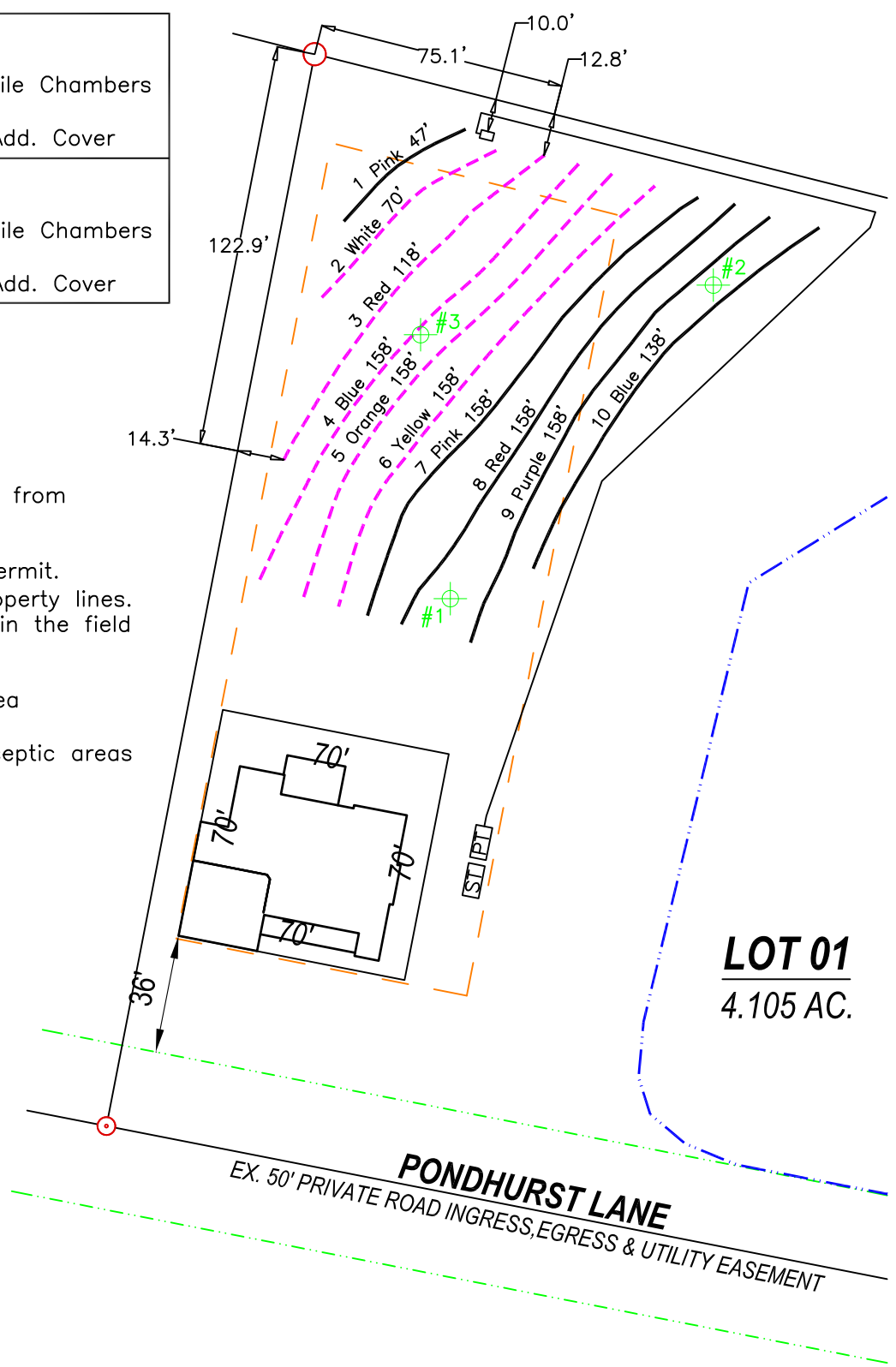
4-Bedroom Septic Layout
Lot 1, 98 Pondhurst Lane
Harnett County, North Carolina

Job#: 4760
Drawn By: JR
Date: 12/05/2023
Revision:

System: Pressure Manifold
 Lines: 2-6, (662')
 Quick4 Plus Standard Low Profile Chambers
 0.25 Soil LTAR
 8" Trench Bottom with 8" of Add. Cover

Repair: Pressure Manifold
 Lines: 1 & 7-10, (659')
 Quick4 Plus Standard Low Profile Chambers
 0.25 Soil LTAR
 8" Trench Bottom with 8" of Add. Cover

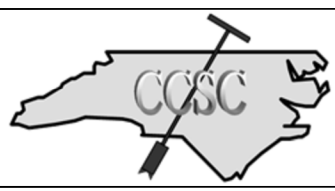
- *Keep tanks and drain lines 10' from property lines.
- *Not a survey.
- *Not a guarantee of a septic permit.
- *Keep supply lines >5' from property lines.
- *Some lines are flagged longer in the field than lengths indicate.
- *No grading septic area.
- *No adding soil within septic area
- *No rutting-up septic area
- *No cuts of >2' within 15' of septic areas



LOT 01
 4.105 AC.

System: ---
 Repair: ---
 [ST] = 1500 gallon tanks
 [PT] = tanks
 ⊕#2 = profile description locations

GRAPHIC SCALE
 1" = 50'



Central Carolina Soil Consulting, PLLC
 1900 South Main Street, Suite 110
 Wake Forest, North Carolina 27587
 Phone (919)569-6704 Fax (919)569-6703

4-Bedroom Septic Layout
 Lot 1, 98 Pondhurst Lane
 Harnett County, North Carolina

Job#: 4760
Drawn By: JR
Date: 12/05/2023
Revision:

Pressure Manifold
Septic System Design

for

Lot 1, 98 Pondhurst Lane
Harnett County, North Carolina

Designed by:

James Rice
Central Carolina Soil Consulting, PLLC
Wake Forest, North Carolina

12/05/2023

Lot 1, 98 Pondhurst Lane
Contact Information

Client: Elm Street Builders, LLC
Attn: Chris Weir
Street Address: 3434 Kildaire Farm Road, Suite 240
Cary, NC 27518
Phone: 919-529-5993
Email: chrisweir@elmstreetbldrs.com

Designer: Central Carolina Soil Consulting, PLLC
Attn: Jason Hall
Designed By: James Rice
Street Address: 1900 South Main Street, Suite 110
Wake Forest, NC 27587
Office Phone: 919-569-6704
Cell Phone: 910-740-3226
Fax: 919-569-5703
Email: jrice@centralcarolinasoil.com

Lot 1, 98 Pondhurst Lane
Layout/Design Specifications

Facility Type:	Single Family Home
# of Bedrooms:	4
Daily Flow:	480 gal/day
L.T.A.R.:	0.25 gal/day/sq.ft
Trench Depth:	8 in with 8" of Additional Cover
Trench Width:	36 in
Stone Depth:	N/A in
Manifold Length:	48 in
Manifold Diameter:	4 in sch 80pvc
Supply Line Length:	365 ft
Supply Line Diameter:	2 in sch 40pvc
Supply Line Volume:	63.51 gallons
Friction Loss + Fitting Loss:	23.45 ft(supply line length + 70' for fittings in pump tank)
Design Head:	2 ft
Elevation Head:	14.30 ft
Total Head:	39.75 ft
Dose Volume:	284.00 gals
% of Pipe Vol.	0.66
Drawdown:	9.27 in @ 30.65 gal/in
Pump Run Time:	5.67 Mins
Control Panel:	SJE Rhombus Model112 control panel (or approved equivalent)
Pump:	Zoeller: Model 185 (or approved equivalent)
Septic Tank Effluent Filter:	Polylok PL-68 residential effluent filter (or approved equivalent)
Septic Tank:	Brantley 1,500 Gallon ST
Pump Tank:	Brantley 1,500 Gallon PT

98 Pondhurst Lane (Lot 1)

Initial System TAP CHART (Low Profile Chambers, Infiltrator Quick4+)

Bench Mark:		is = 100.00 Location of BM:				Elevation Head:		14.30			
Pump tank elev.		11.5	88.50	Pump elev.	83.10	Manifold elevation:		97.40	# of Standard Low Profile Chambers	# of All-in-One Endcaps	
line	color	rod read	Elevation	length	hole size	flow/tap	gal/day	trench area	LINE LTAR		
2	White	3.60	96.40	70	1/2in SCH 80	5.48	52.51	210	0.2501	17	
3	Red	4.60	95.40	118	1/2in SCH 40	7.11	68.13	354	0.1925	29	
4	Blue	5.40	94.60	158	3/4in SCH 40	12.5	119.78	474	0.2527	39	
5	Orange	6.10	93.90	158	3/4in SCH 40	12.5	119.78	474	0.2527	39	
6	Yellow	7.00	93.00	158	3/4in SCH 40	12.5	119.78	474	0.2527	39	

Total Number of Standard Low Profile Chambers: 163
Total Number of All-in-One 8 Endcaps: 10

% of Dose Volume	66	Des. Flow	480	LTAR =	0.2500
Dose Volume	284.00	Pump Run=	9.58	LTAR + 5%	0.2625
Dose Pump Time	5.67	Tank Gal/IN	30.65		
Drawdown in Inches	9.27				

- Notes:**
- Initial system should be Infiltrator Quick4+, Standard Low Profile Chambers
 - All-in-One 8 Endcaps should be used for the Initial System upon installation

98 Pondhurst Lane (Lot 1)

Repair System TAP CHART (Low Profile Chambers, Infiltrator Quick4+)

Bench Mark:		is = 100.00 Location of BM:				Elevation Head:		15.10			
Pump tank elev.		11.5	88.50	Pump elev.	83.10	Manifold elevation:		98.20	# of Standard Low Profile Chambers	# of All-in-One 8 Endcaps	
line	color	rod read	Elevation	length	hole size	flow/tap	gal/day	trench area	LINE LTAR		
1	Pink	2.80	97.20	47	1/2in SCH 80	5.48	37.52	141	0.2661	11	
7	Pink	7.60	92.40	158	1in SCH 80	16.8	115.04	474	0.2427	39	
8	Red	8.40	91.60	158	1in SCH 80	16.8	115.04	474	0.2427	39	
9	Purple	9.30	90.70	158	1in SCH 80	16.8	115.04	474	0.2427	39	
10	Blue	10.30	89.70	138	(2) 1/2in SCH 40	14.22	97.37	414	0.2352	34	

Total Number of Standard Low Profile Chambers: 162
Total Number of All-in-One 8 Endcaps: 11

% of Dose Vol.	75	Des. Flow	480	LTAR =	0.2500
Dose Volume	321.26	Pump Run=	6.85	LTAR + 5%	0.2625
Dose Pump Time	4.58	Tank Gal/IN	30.65		
Drawdown in Inches	10.48				

- Notes:**
- Repair system should be Infiltrator Quick4+, Standard Low Profile Chambers
 - All-in-One 8 Endcaps should be used for the Repair System upon installation

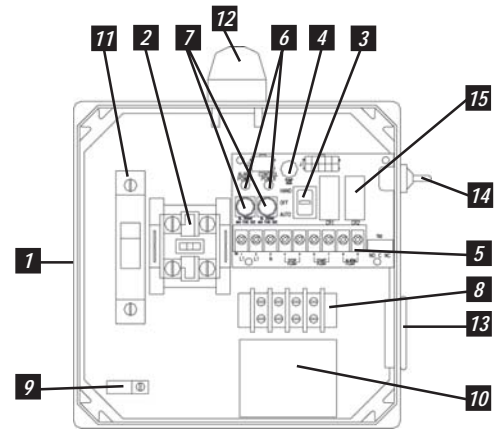
MODEL 112 Control Panel

Single phase, simplex motor contactor control.

The Model 112 control panel provides a reliable means of controlling one 120, 208, or 240 VAC single phase pump in pump chambers, sump pump basins, irrigation systems and lift stations. Two control switches activate a magnetic motor contactor to turn the pump on and off. If an alarm condition occurs, an additional alarm switch activates the audio/visual alarm system.

PANEL COMPONENTS

1. **Enclosure** measures 8 x 8 x 4 inches (20.32 X 20.32 X 10.16 cm). Choice of NEMA 1 (steel for indoor use), or NEMA 4X (ultraviolet stabilized thermoplastic with removable flanges for outdoor or indoor use).
* Options selected may increase enclosure size and change component layout.
2. **Magnetic Motor Contactor** controls pump by switching electrical lines.
3. **HOA Switch** for manual pump control (mounted on circuit board).
4. **Green Pump Run Indicator Light** (mounted on circuit board).
5. **Float Switch Terminal Block** (mounted on circuit board).
6. **Alarm and Control Fuses** (mounted on circuit board).
7. **Alarm and Control Power Indicators** (mounted on circuit board).
8. **Pump Input Power and Pump Connection Terminal Block**
9. **Ground Lug**
10. **Terminal Block Installation Label**
11. **Circuit Breaker** (optional) provides pump disconnect and branch circuit protection.



Model Shown 1121W914X

STANDARD ALARM PACKAGE

12. **Red Alarm Beacon** provides 360° visual check of alarm condition.
Note: NEMA 1 style utilizes a door mounted indicator in lieu of a beacon.
13. **Alarm Horn** provides audio warning of alarm condition (83 to 85 decibel rating).
Note: NEMA 1 style utilizes an internally mounted buzzer in lieu of horn.
14. **Exterior Alarm Test/Normal/Silence Switch** allows horn and light to be tested and horn to be silenced in an alarm condition. Alarm automatically resets once alarm condition has been cleared.
15. **Horn Silence Relay** (mounted on circuit board).

NOTE: other options available.

FEATURES

- Entire control system (panel and switches) is UL Listed to meet and/or exceed industry safety standards
- Dual safety certification for the United States and Canada
- Standard package includes three 20' Sensor Float® control switches
- Complete with step-by-step installation instructions
- Three-year limited warranty



SJE
Rhombus
CONTROLS

PO Box 1708, Detroit Lakes, MN 56502

1-888-DIAL-SJE • 1-218-847-1317

1-218-847-4617 Fax

email: sje@sjerhombus.com

www.sjerhombus.com

SEE BACKSIDE FOR COMPLETE LISTING OF AVAILABLE OPTIONS.

112 **1** **W** **1** **2** **4** **H** **3A, 8A, 8C, 15A**

MODEL 112

ALARMPACKAGE

- 0 = select options or no alarm package
- 1 = alarm package (includes test/normal/silence switch, fuse, red light, horn & float)

ENCLOSURE RATING

- I = Indoor, NEMA 1 (metal)
- W = Weatherproof, NEMA 4X (engineered thermoplastic)

STARTING DEVICE

- 1 = magnetic motor contactor 120/208/240V
- 9 = magnetic motor contactor 120V only

PUMP FULL LOAD AMPS

- 0 = 0-7 FLA
- 1 = 7-15 FLA
- 2 = 15-20 FLA
- 3 = 20-30 FLA

PUMP DISCONNECTS

- 0 = no pump disconnect
- 1 = pull-out with safety deadfront in a 10"x8" enclosure
- 4 = circuit breaker 120V (select STARTING DEVICE option 9 above)
120/208/240V (select STARTING DEVICE option 1 above)

FLOAT SWITCH APPLICATION

- H or L = pump down or pump up
- X = no floats
- WITH alarm package
- WITHOUT alarm package

OPTIONS *Listed below*



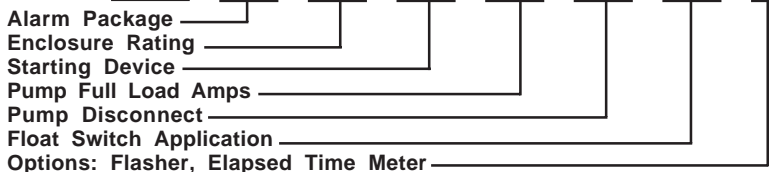
ENCLOSURE UPSIZE - If you selected 3 or more of the ★ options, or one ★★ option, a one-time enclosure upsize fee would apply.

If additional features are required, call the factory for a quote on either a SJE-Rhombus Pro-Line or Engineered Custom control panel.

CODE	DESCRIPTION	CODE	DESCRIPTION
<input type="checkbox"/>	1A Red beacon only / no audio <i>(must select 1E if floats included)</i>	<input type="checkbox"/>	11C NEMA 1 alarm panel <i>must select option 6A</i>
<input type="checkbox"/>	1C Horn only / no visual <i>(must select 1E if floats included)</i>	<input type="checkbox"/>	11D NEMA 4X alarm panel <i>must select option 6A</i>
<input type="checkbox"/>	1E Alarm float	<input checked="" type="checkbox"/>	★14B Main disconnect (rotary style, mounted through door) non-fused
<input checked="" type="checkbox"/>	3A Alarm flasher	★★ <input type="checkbox"/>	0-20 FLA (total of both pumps)
<input type="checkbox"/>	★ 3B Manual alarm reset	★★ <input type="checkbox"/>	20-30 FLA (total of both pumps)
<input type="checkbox"/>	★ 4A Low level cutout <i>(select option 4D if floats included)</i>	<input checked="" type="checkbox"/>	15A Control / alarm circuit breaker <i>Does not include the circuit board as in standard.</i>
<input type="checkbox"/>	★ 4B Red low-level indicator & alarm <i>(must select 4A also)</i>	<input type="checkbox"/>	16A 10' cord in lieu of 20' <i>(per float)</i>
<input type="checkbox"/>	4D Low-level float	<input type="checkbox"/>	16B 15' cord in lieu of 20' <i>(per float)</i>
<input type="checkbox"/>	★ 5A Thermal cutout/heat sensor auto reset (for pumps w/thermal switch leads)	<input type="checkbox"/>	16C 30' cord in lieu of 20' <i>(per float)</i>
<input type="checkbox"/>	★★5E Seal failure circuit & red indicator (2 wire)	<input type="checkbox"/>	16D 40' cord in lieu of 20' <i>(per float)</i>
<input type="checkbox"/>	6A Auxiliary alarm contact, form C type	<input type="checkbox"/>	17A SJE SignalMaster® / mounting strap ● <i>(per float)</i>
<input checked="" type="checkbox"/>	★ 8A Elapsed time meter	<input type="checkbox"/>	17B SJE SignalMaster® / externally weighted ● <i>(per float)</i>
<input checked="" type="checkbox"/>	★ 8C Event (cycle) counter	<input type="checkbox"/>	17C Sensor Float® / internally weighted ▲ <i>(per float)</i>
<input type="checkbox"/>	★★9_A Pump overload specify amperage after number 9 followed by letter "A". Example: 912A = 12 amp pump.	<input type="checkbox"/>	17D Sensor Float® / externally weighted ▲ <i>(per float)</i>
★★ <input type="checkbox"/>	0-25 FLA	<input type="checkbox"/>	17E Sensor Float® Mini / pipe clamp ▲ <i>(per float)</i>
★★ <input type="checkbox"/>	25-30 FLA	<input type="checkbox"/>	17F Sensor Float® Mini / externally weighted ▲ <i>(per float)</i>
<input type="checkbox"/>	10E Lockable latch - NEMA 4X	<input type="checkbox"/>	19T TOA (Test/Off/Automatic) switch and pump run light through door mounted
<input type="checkbox"/>	10E Lockable latch - NEMA 1	<input type="checkbox"/>	19U HOA (Hand/Off/Automatic) switch and pump run light through door mounted
<input type="checkbox"/>	★10F Lightning arrester	<input type="checkbox"/>	19X Door mounted pump run indicator
<input type="checkbox"/>	★10K Anti-condensation heater	<input type="checkbox"/>	21A SJE PumpMaster® in lieu of on/off switches ●
		<input type="checkbox"/>	21B SJE PumpMaster® Plus in lieu of on/off switches ●
		<input type="checkbox"/>	21C Super Single® in lieu of on/off switches ●
		<input type="checkbox"/>	21D Double Float® in lieu of on/off switches ▲
			● Mechanically-activated ▲ Mercury-activated

SAMPLE

MODEL **112** **1** **W** **9** **1** **4** **H** **3A 8A**



Product information presented here reflects conditions at time of publication. Consult factory regarding discrepancies or inconsistencies.



TECHNICAL DATA SHEET

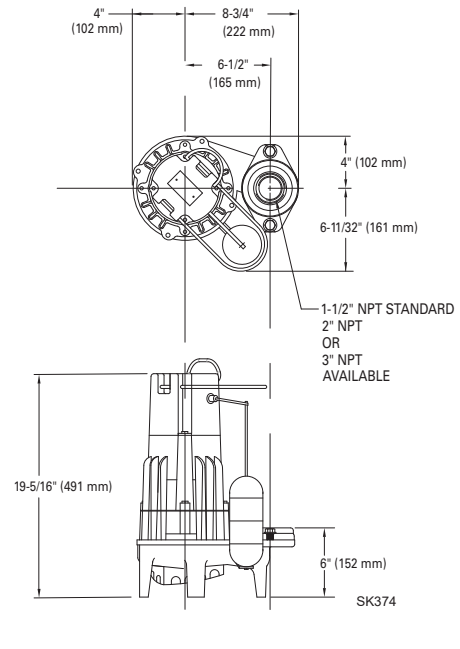
HIGH HEAD FLOW-MATE SERIES

Models 185/4185, 186/4186, 188/4188, 189/4189, 191
Submersible Effluent Pumps

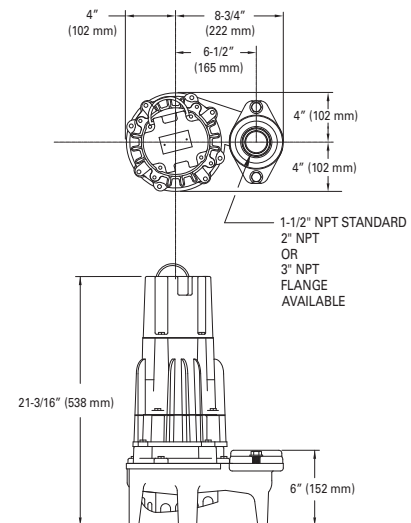
PRODUCT SPECIFICATIONS

MOTOR	Horse Power	1 - 2 HP
	Voltage	200 - 575
	Phase	1 or 3 Ph
	Hertz	60 Hz
	RPM	3450
	Type	Permanent split capacitor or 3 Ph
	Insulation	Class B/185 & 4185 , Class F/186-191 & 4186-4189
	Amps	3.3 - 20.5
PUMP	Operation	Automatic or nonautomatic
	Auto On/Off Points	15-3/4" (400 mm) / 5-1/4" (133 mm)
	Discharge Size	1-1/2" NPT (optional 2" or 3" flange)
	Solids Handling	3/4", 5/8" (model 191) (19 mm 15 mm) spherical solids
	Cord Length	20' (6 m) standard
	Cord Type	1 Ph: UL listed 3-wire neoprene cord & plug or 3 Ph: 4-wire with no plug
	Max. Head	137' (42 m)
	Max. Flow Rate	145 GPM (549 LPM)
	Max. Operating Temp.	130 °F (54 °C) (model WD189 120 °F [49 °C])
	Cooling	Oil filled
	Motor Protection	Auto reset thermal overload (1 Ph)
	MATERIALS	Upper Bearing
Lower Bearing		Ball bearing
Mechanical Seals		Stainless steel, carbon and ceramic
Impeller Type		Non-clogging vortex
Impeller		Bronze
Hardware		Stainless steel
Motor Shaft		SAE 1117 carbon steel or 416 stainless steel*
Gasket	Neoprene square ring & gasket	

SINGLE SEAL



DOUBLE SEAL



*Single seal models are built with a carbon steel motor shaft, and double seal models are built with a stainless steel motor shaft.

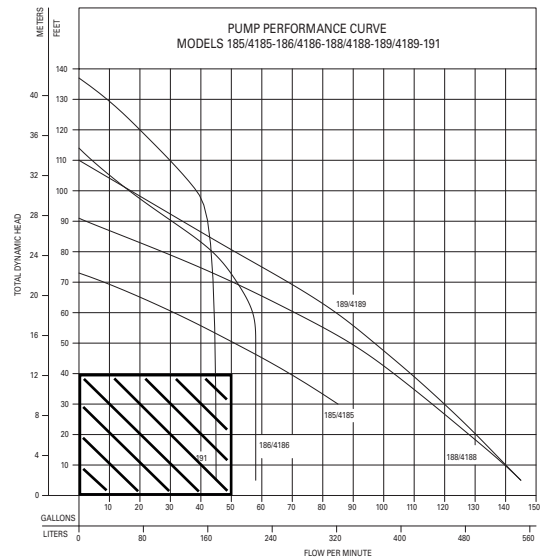
NOTE: The sizing of effluent systems normally requires variable level float(s) controls and properly sized basins to achieve required pumping cycles or dosing timers with nonautomatic pumps.



TOTAL DYNAMIC HEAD FLOW PER MINUTE

MODELS		185/4185		186/4186		188/4188		189/4189		191	
Feet	Meters	Gal.	Liters	Gal.	Liters	Gal.	Liters	Gal.	Liters	Gal.	Liters
5	1.5	--	--	58	220	145	549	145	549	45	170
10	3.0	--	--	58	220	140	530	140	530	45	170
20	6.1	--	--	58	220	128	484	130.5	494	45	170
30	9.1	85	322	58	220	116	439	120	454	45	170
40	12.2	70	265	58	220	103.5	392	109	413	45	170
50	15.2	51	193	58	220	90	341	97	367	45	170
60	18.3	32	121	58	220	71	269	85	322	45	170
70	21.3	9	34	52	197	51	193	69	261	45	170
80	24.4	--	--	45	170	28	106	51	193	45	170
90	27.4	--	--	30.5	115	2	8	34	129	45	170
100	30.5	--	--	16	60	--	--	17	64	40	151
110	32	--	--	4	15	--	--	--	--	30	114
120	36.6	--	--	--	--	--	--	--	--	20	76
130	39.6	--	--	--	--	--	--	--	--	10	38
Shut-off Head	73 ft. (22m)	114 ft. (35m)		91 ft. (28m)		110 ft. (34m)		137 ft. (42m)			

CAUTION: Model 185 should not be subjected to heads less than 30' (9 m) TDH.



Model	MODEL COMPARISON											CERTIFICATIONS
	Seal	Mode	Volts	Ph	Amps	HP	Hz	Lbs	Kg	Simplex	Duplex	
D185 / * H185	Single	Auto	230 / 200	1	9.8 / 11.5	1	60	85 / 86	38 / 39	1	---	cCSAus
E185 / E4185	Single / Dbl	Non	230	1	9.8	1	60	85 / 92	38 / 41	2 or 3	4	CSA
* I185 / * I4185	Single / Dbl	Non	200	1	11.5	1	60	85 / 92	38 / 41	2 or 3	4	cCSAus
* F185 / * F4185	Single / Dbl	Non	230	3	7.4	1	60	85 / 92	38 / 41	3 & 5	4 & 5	cCSAus
* J185 / * J4185	Single / Dbl	Non	200	3	7.5	1	60	85 / 92	38 / 41	3 & 5	4 & 5	cCSAus
BE185	Single	Auto	230	1	9.5	1	60	87	39	---	---	cCSAus
* G185 / * G4185	Single / Dbl	Non	460	3	3.7	1	60	85 / 92	38 / 41	3 & 5	4 & 5	cCSAus
* BA185 / * BA4185	Single	Non	575	3	3.3	1	60	85	38	3 & 5	4 & 5	cCSAus
D186 / * H186	Single	Auto	230 / 200	1	13.7 / 17.2	1-1/2	60	91	41	1	---	cCSAus ⁽¹⁾
E186 / E4186	Single / Dbl	Non	230	1	13.7	1-1/2	60	90 / 97	40 / 43	2 or 3	4	CSA ⁽²⁾
* I186 / * I4186	Single / Dbl	Non	200	1	17.2	1-1/2	60	90 / 97	40 / 43	2 or 3	4	cCSAus
* F186 / * F4186	Single / Dbl	Non	230	3	9.2	1-1/2	60	90 / 97	40 / 43	3 & 5	4 & 5	cCSAus
* J186 / * J4186	Single / Dbl	Non	200	3	10.3	1-1/2	60	90 / 97	40 / 43	3 & 5	4 & 5	cCSAus
BE186	Single	Auto	230	1	13.7	1	60	92	42	---	---	CSA ⁽²⁾
* G186 / * G4186	Single / Dbl	Non	460	3	4.6	1-1/2	60	90 / 97	40 / 43	3 & 5	4 & 5	cCSAus
* BA186 / * BA4186	Single / Dbl	Non	575	3	3.6	1-1/2	60	90 / 97	40 / 43	3 & 5	4 & 5	cCSAus
* D188 / H188	Single	Auto	230 / 200	1	14.0 / 16.8	1-1/2	60	91	41	1	---	CSA ⁽²⁾
E188 / E4188	Single / Dbl	Non	230	1	14.0	1-1/2	60	90 / 97	40 / 43	2 or 3	4	CSA ⁽²⁾
* I188 / * I4188	Single / Dbl	Non	200	1	16.8	1-1/2	60	90 / 97	40 / 43	2 or 3	4	cCSAus
* F188 / * F4188	Single / Dbl	Non	230	3	8.9	1-1/2	60	90 / 97	40 / 43	3 & 5	4 & 5	cCSAus
* J188 / * J4188	Single / Dbl	Non	200	3	10.3	1-1/2	60	90	40 / 43	3 & 5	4 & 5	cCSAus
BE188	Single	Auto	230	1	14.0	1-1/2	60	92	42	---	---	CSA ⁽²⁾
* G188 / * G4188	Single / Dbl	Non	460	3	4.6	1-1/2	60	95 / 97	43 / 43	3 & 5	4 & 5	cCSAus
* BA188 / * BA4188	Single	Non	575	3	3.5	1-1/2	60	90	40	3 & 5	4 & 5	cCSAus
D189	Single	Auto	230	1	17.1	2	60	91	41	1	---	CSA
* H189	Single	Auto	200	1	20.5	2	60	91	41	1	---	cCSAus
E189 / E4189	Single / Dbl	Non	230	1	17.1	2	60	90 / 97	40 / 43	2 or 3	4	CSA
* I189 / * I4189	Single / Dbl	Non	200	1	20.5	2	60	90 / 97	40 / 43	2 or 3	4	cCSAus
* F189 / * F4189	Single / Dbl	Non	230	3	11.2	2	60	90 / 97	40 / 43	3 & 5	4 & 5	cCSAus
* J189 / * J4189	Single / Dbl	Non	200	3	13.2	2	60	90 / 97	40 / 43	3 & 5	4 & 5	cCSAus
* G189 / * G4189	Single / Dbl	Non	460	3	6.0	2	60	90 / 97	40 / 43	3 & 5	4 & 5	cCSAus
* BA189 / * BA4189	Single	Non	575	3	5.8	2	60	90	40	3 & 5	4 & 5	cCSAus
* WD189 / WD4189	Single / Dbl	Auto	230	1	17.1	2	60	93 / 100	42 / 45	1	4	---
E191	Single	Non	230	1	14.5	2	60	87	39	2 or 3	4	cCSAus

* no molded plug

(1) cCSAus approval with 20 Amp plug. (2) CSA approval with 15 Amp plug.

NOTE: WD models are controlled by an integral variable level pump switch. H, I, J, F, G and BA models do not have a molded plug. Additional cord lengths are available in 25' (8 m) 35' (11 m) and 50' (15 m).

SELECTION GUIDE

1. Integral float operated mechanical switch, no external control required.
2. For automatic use single piggyback variable level float switch or double piggyback variable level float switch. Refer to FM0477.
3. See FM1228 for correct model of simplex control panel.
4. See FM0712 for correct model of duplex control panel.
5. Variable level control switch 10-0743 used as a control activator, specify simplex (3) float or duplex (4) float system. Refer to FM0526.

CAUTION All installation of controls, protection devices and wiring should be done by a qualified licensed electrician. All electrical and safety codes should be followed including the most recent National Electrical Code (NEC) and the Occupational Safety and Health Act (OSHA).

© Copyright 2021 Zoeller® Co. All rights reserved.

502-778-2731 | 800-928-7867 | 3649 Cane Run Road | Louisville, KY 40211-1961 | zoellerpumps.com

PL-68 Filter and Tee

PL-68 is much more than just an effluent filter. The housing can also be used as an inlet baffle (tee) or an outlet baffle. The housing is designed to accept Polylok’s snap in gas deflector to deflect gas bubbles away from the tee and to keep the solids in the tank.

Features:

- Offers 68 linear feet of 1/16” filter slots, which significantly extends time between cleaning.
- Accepts 3/4” PVC handle.
- Locks in any 360° position when used with PL-68 Tee.
- PL-68 Housing can be used as an inlet or outlet tee.
- Gasket prevents bypass.

PL-68 Installation:

Ideal for residential waste flows up to 800 gallons per day (GPD). Easily installs in any new or existing 4” outlet tee.

1. Locate the outlet of the septic tank.
2. Remove the tank cover and pump tank if necessary.
3. Glue the filter housing to the outlet pipe, or use a Polylok Extend & Lok if not enough pipe exists.
4. Insert the PL-68 filter into tee.
5. Replace and secure the septic tank cover.

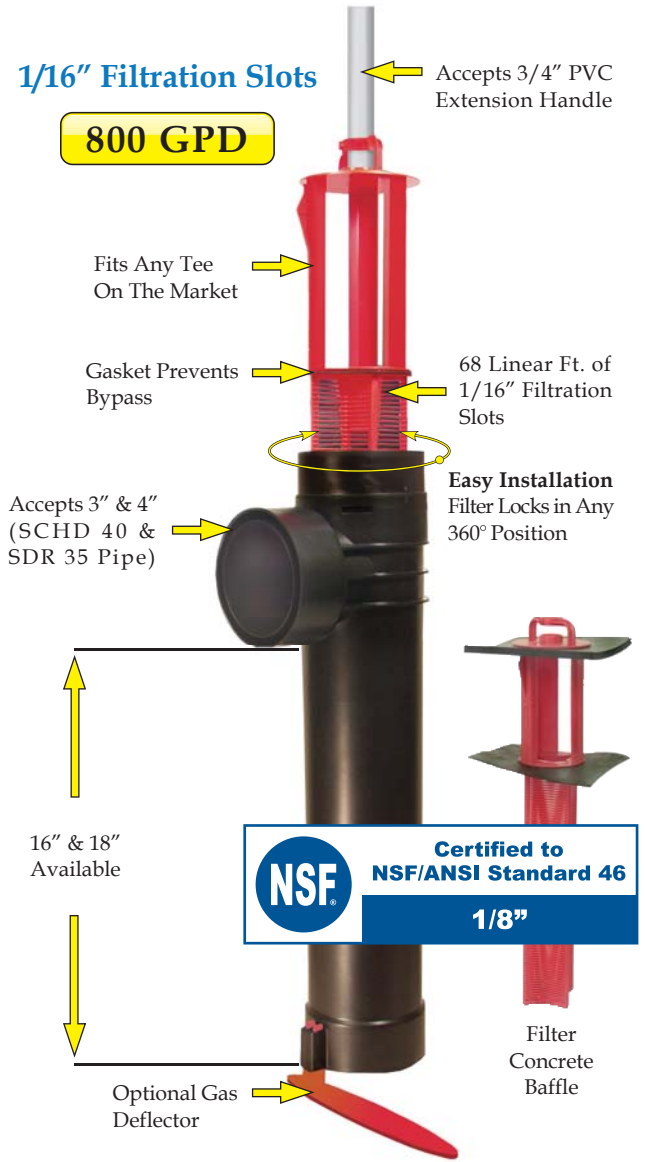
PL-68 Maintenance:

The PL-68 Effluent Filter will operate efficiently for several years under normal conditions before requiring cleaning. It is recommended that the filter be cleaned every time the tank is pumped, or at least every three years.

1. Do not use plumbing when filter is removed.
2. Pull PL-68 out of the tee.
3. Hose off filter over the septic tank. Make sure all solids fall back into septic tank.
4. Insert filter back into tee/housing.

Related Products:

PL-68 Filter Concrete Baffle
 Extend & Lok™



Extend & Lok™
 Easily installs into existing tanks.



Spacer Bushing
 4” SCHD 40 to SDR 35



Spacer Bushing
 4” SCHD 40 to 110mm Pipe



2” Extender

CAST-A-SEAL 402/402F

PIPE TO MANHOLE & TANK CONNECTOR

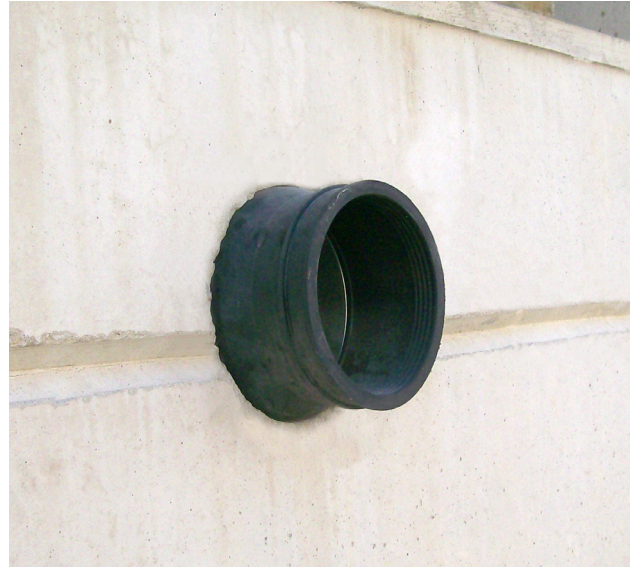
What It Is

The Cast-A-Seal 402/402F is a simple cast-in pipe-to-manhole connector that offers a watertight flexible connector that is cast into the structure when the concrete is poured.

The key lock is integrally cast-in during the production process providing a secure seal for storm water and sanitary collection systems.

How It Works

- The connector is folded into the casting position.
- It is placed on the reusable mandrel and then placed on the form.
- After curing, the mandrel is removed.
- The connector is then simply unfolded at the jobsite.
- Take-up clamps made from series 304 stainless steel with quick adjusting screws secure the connector to the pipe.



Why It's Better

- Durable and reusable mandrel forms.
- Integrally cast into the structure at time of casting.
- Contractor can backfill immediately after pipe insertion.
- The 4" connector is available in either open or closed end face.
- Contractor can save time and money by backfilling immediately.

Where To Use

- Manholes
- Wet wells
- Square pump and lift stations
- Stormwater structures
- On-site treatment structures
- Junction chambers
- Grease interceptors



Press-Seal believes all information is accurate as of its publication date. Information, specifications, and prices are all subject to change without notice. Press-Seal is not responsible for any inadvertent errors. Copyright 2022.

Phone: 800-348-7325
Fax: (260) 436-1908

PRESS-SEAL CORPORATION
Protecting Our Planet's Clean Water Supply
ISO 9001: Registered • Version 02.16.22.11.17

Email: sales@press-seal.com
Web: www.press-seal.com

CAST-A-SEAL 402/402F

SUBMITTAL SPECIFICATIONS

A flexible pipe-to-structure connector shall be employed in the connection of the sanitary sewer pipe to precast structures. The connector shall be Cast-A-Seal® 402/402F as manufactured by Press-Seal Corporation, Fort Wayne, Indiana, or approved equal. The connector shall be the sole element relied on to assure a flexible, watertight seal of the pipe to the precast structure. The connector shall consist of a rubber gasket and an external take-up clamp.

The rubber gasket element shall be constructed solely of synthetic or natural rubber, and shall meet or exceed the physical property requirements of ASTM C 923.

The external take-up clamp shall be constructed of Series 300 non-magnetic stainless steel and shall utilize no welds in its construction. The clamp shall be installed by torquing the adjusting screw using a torque-setting wrench available from the connector manufacturer.

Selection of the proper size connector for the structure and pipe requirement, and installation thereof, shall be in strict conformance with the recommendations of the connector manufacturer. Any dead end pipe stubs installed in connectors shall be restrained from movement per ASTM C 923.

The finished connection shall provide sealing to 13 psi (minimum) and shall accommodate deflection of the pipe to 7 degrees (minimum) without loss of seal.

Vacuum testing shall be conducted in strict conformance with ASTM C 1244 prior to backfill. Other testing shall be conducted in strict conformance with the requirements of the connector manufacturer.

Product Performance

Cast-A-Seal 402/402F meets and/or exceeds all requirements of ASTM C 923, including physical properties of materials and performance testing, including:

- 13 PSI minimum in straight alignment
- 10 PSI at minimum 7° angle
- 10 PSI minimum under shear load of 150 lbs/in. pipe diameter

Cast-A-Seal 402/402F meets and/or exceeds the requirements of the following Standards, Specifications, Codes, and Test Methods:

- IAPMO/ANSI Z1000 Standard for Prefabricated Septic Tanks
- IAPMO/ANSI Z1001 Standard for Prefabricated Gravity Grease Interceptors
- NPCA Best Practices Manual for Precast Concrete On-Site Wastewater Tanks
- NOWRA Model Code Framework
- ASTM C 1227 Standard Specification for Precast Concrete Septic Tanks
- ASTM C 1644 Standard Specification for Resilient Connectors Between Reinforced Concrete On-Site Wastewater Tanks and Pipes (CAS 402)
- ASTM C 1613 Standard Specification for Precast Concrete Grease Interceptor Tanks
- ASTM C 923 - Standard Specification for Resilient Connectors Between Reinforced Concrete Manhole Structures, Pipes, and Laterals
- ASTM C 1244 Standard Test Method for Concrete Sewer Manholes by the Negative Air Pressure (Vacuum) Test
- ASTM C 1478 - Standard Specification for Storm Drain Resilient Connectors Between Reinforced Concrete Storm Sewer Structures, Pipes, and Laterals

Press-Seal believes all information is accurate as of its publication date. Information, specifications, and prices are all subject to change without notice. Press-Seal is not responsible for any inadvertent errors. Copyright 2022.

Phone: 800-348-7325
Fax: (260) 436-1908

PRESS-SEAL CORPORATION
Protecting Our Planet's Clean Water Supply
ISO 9001: Registered • Version 02.16.22.11.17

Email: sales @press-seal.com
Web: www.press-seal.com



CAST-A-SEAL 402/402F

SELECTION GUIDE

PIPE SIZE	CAST-A-SEAL 402	PIPE O.D. RANGE	WALL THICKNESS*	APPLICATION
1.25" - 2" 31 - 51 mm	452.0250	1.5" - 2.75" 38 - 70 mm	2.5" - 6" 64 - 150 mm	STANDARD
4" 100 mm	452.0450	4.2" - 4.7" 107 - 119 mm	2.5" - 6" 64 - 150 mm	STANDARD
4" 100 mm	452.0402F1	4.2" - 4.7" 107 - 119 mm	2.5" - 4.0" 64 - 102 mm	Closed Face
6" 150 mm	452.0650	6.2" - 6.7" 157 - 170 mm	2.5" - 6" 64 - 150 mm	STANDARD
3" 75 mm	CAS ADAPTER	3.2" - 3.6" 81 - 91 mm	---	Use with 4" CAST-A-SEAL



Press-Seal believes all information is accurate as of its publication date. Information, specifications, and prices are all subject to change without notice. Press-Seal is not responsible for any inadvertent errors. Copyright 2022.

Phone: 800-348-7325
Fax: (260) 436-1908

PRESS-SEAL CORPORATION
Protecting Our Planet's Clean Water Supply
ISO 9001: Registered • Version 02.16.22.11.17

Email: sales@press-seal.com
Web: www.press-seal.com



INFILTRATOR®
water technologies



The Quick4® Plus Standard Low Profile (LP) Chamber

Quick4 Plus™ Series

The Quick4 Plus Standard Low Profile (LP) offers maximum strength through its four center structural columns. This chamber can be installed in a 36-inch-wide trench. It is shorter in height than Infiltrator's other Standard model chambers, allowing for shallower installation. Like the original line of Quick4 chambers, it offers advanced contouring capability with its Contour Swivel Connection™, which permits turns up to 15°, right or left. The Quick4 Plus All-in-One 8 and Quick4 Plus Endcaps provide increased flexibility in system design and configurations.



Maximum Strength

Quick4 Plus Standard LP Chamber Specifications

Size
34"W x 53"L x 8"H
(864 mm x 1346 mm x 203 mm)

Effective Length
48" (1219 mm)

Louver Height
6.3" (160 mm)

Storage Capacity
32 gal (121 L)

Invert Height
3.3" (84 mm), 9.6" (244 mm)



Quick4 Plus Standard Low Profile (LP) Chamber Benefits:

- Low profile design makes this chamber ideal for shallow applications
- Reduces imported fill needed for cap and fill systems
- Four center structural columns offer superior strength
- Advanced contouring connections
- Latching mechanism allows for quick installation
- Four-foot chamber lengths are easy to handle and install
- Supports wheel loads of 16,000 lbs/axle with 12" of cover

Quick4 Plus All-in-One Periscope Benefits:

- Allows for raised invert installations
- 180° directional inletting
- 12" raised invert is ideal for serial applications



Quick4 Plus All-in-One 8 Endcap Benefits:

- May be used at the end of chamber row for an inlet/outlet or can be installed mid-trench
- Mid-trench connection feature allows center feed inletting of chamber rows
- Center-feed connection allows for easy installation of serial distribution systems
- Variable pipe connection options allow for side, end or top inletting
- Piping drill points are set for gravity or pressure pipe



~~Quick4 Plus Endcap Benefits:~~

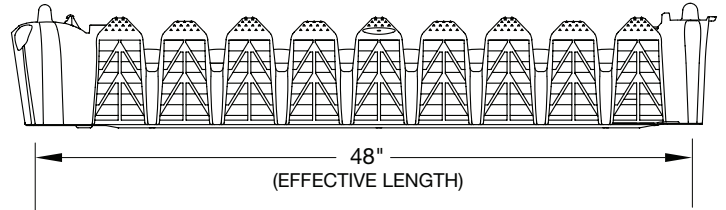
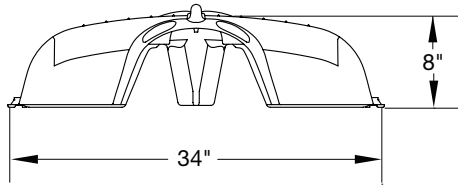
- ~~• Simple, flat design~~
- ~~• Allows installation of a pipe from the end only~~
- ~~• Piping drill points are set for gravity or pressure pipe~~



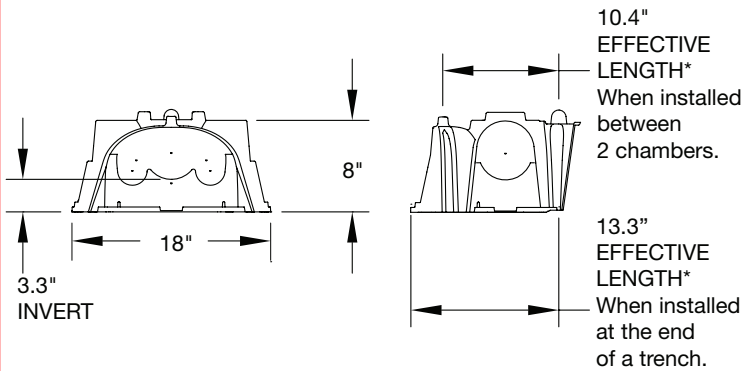
Certified by the International Association of Plumbing and Mechanical Officials (IAPMO)



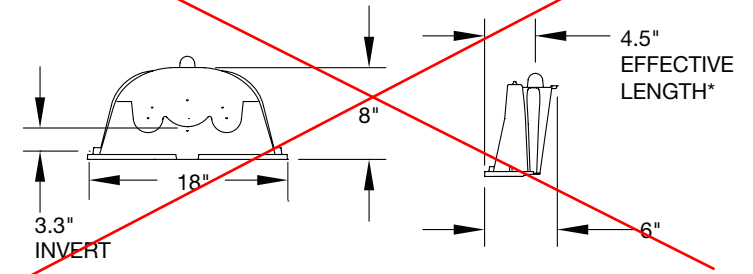
Quick4 Plus Standard Low Profile Chamber



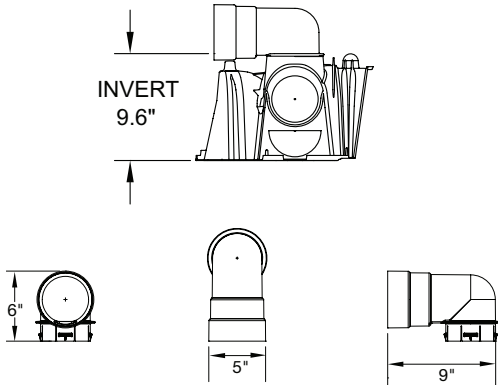
Quick4 Plus All-in-One 8 Endcap



~~**Quick4 Plus Endcap**~~



Quick4 Plus All-in-One Periscope



INFILTRATOR WATER TECHNOLOGIES, LLC ("INFILTRATOR")

Infiltrator Water Technologies, LLC STANDARD LIMITED Drainfield WARRANTY

(a) The structural integrity of each chamber, endcap, EZflow expanded polystyrene and/or other accessory manufactured by Infiltrator ("Units"), when installed and operated in a leachfield of an onsite septic system in accordance with Infiltrator's instructions, is warranted to the original purchaser ("Holder") against defective materials and workmanship for one year from the date that the septic permit is issued for the septic system containing the Units; provided, however, that if a septic permit is not required by applicable law, the warranty period will begin upon the date that installation of the septic system commences. To exercise its warranty rights, Holder must notify Infiltrator in writing at its Corporate Headquarters in Old Saybrook, Connecticut within fifteen (15) days of the alleged defect. Infiltrator will supply replacement Units for Units determined by Infiltrator to be covered by this Limited Warranty. Infiltrator's liability specifically excludes the cost of removal and/or installation of the Units.

(b) THE LIMITED WARRANTY AND REMEDIES IN SUBPARAGRAPH (a) ARE EXCLUSIVE. THERE ARE NO OTHER WARRANTIES WITH RESPECT TO THE UNITS, INCLUDING NO IMPLIED WARRANTIES OF MERCHANTABILITY OR FITNESS FOR A PARTICULAR PURPOSE

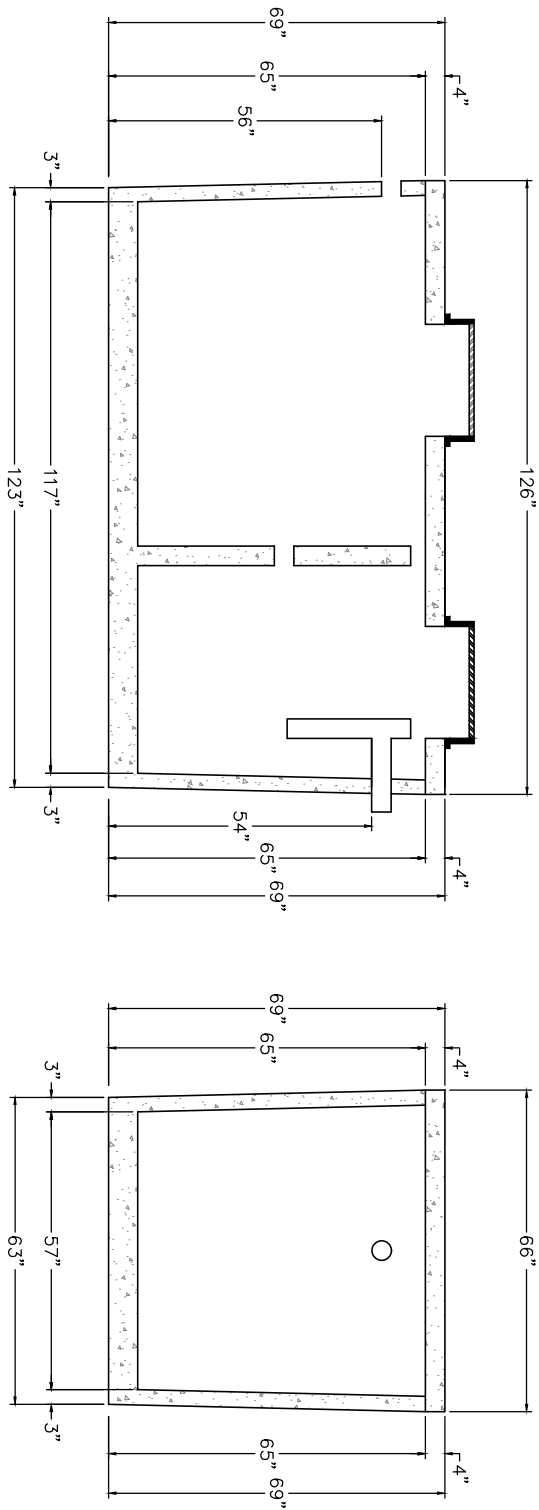
(c) This Limited Warranty shall be void if any part of the chamber system is manufactured by anyone other than Infiltrator. The Limited Warranty does not extend to incidental, consequential, special or indirect damages. Infiltrator shall not be liable for penalties or liquidated damages, including loss of production and profits, labor and materials, overhead costs, or other losses or expenses incurred by the Holder or any third party. Specifically excluded from Limited Warranty coverage are damage to the Units due to ordinary wear and tear, alteration, accident, misuse, abuse or neglect of the Units; the Units being subjected to vehicle traffic or other conditions which are not permitted by the installation instructions; failure to maintain the minimum ground covers set forth in the installation instructions; the placement of improper materials into the system containing the Units; failure of the Units or the septic system due to improper siting or improper sizing, excessive water usage, improper grease disposal, or improper operation; or any other event not caused by Infiltrator. This Limited Warranty shall be void if the Holder fails to comply with all of the terms set forth in this Limited Warranty. Further, in no event shall Infiltrator be responsible for any loss or damage to the Holder, the Units, or any third party resulting from installation or shipment, or from any product liability claims of Holder or any third party. For this Limited Warranty to apply, the Units must be installed in accordance with all site conditions required by state and local codes; all other applicable laws; and Infiltrator's installation instructions.

(d) No representative of Infiltrator has the authority to change or extend this Limited Warranty. No warranty applies to any party other than the original Holder. The above represents the Standard Limited Warranty offered by Infiltrator. A limited number of states and counties have different warranty requirements. Any purchaser of Units should contact Infiltrator's Corporate Headquarters in Old Saybrook, Connecticut, prior to such purchase, to obtain a copy of the applicable warranty, and should carefully read that warranty prior to the purchase of Units.



4 Business Park Road
P.O. Box 768
Old Saybrook, CT 06475
860-577-7000 • Fax 860-577-7001
1-800-221-4436
www.infiltratorwater.com

U.S. Patents: 4,759,661; 5,017,041; 5,156,488; 5,336,017; 5,401,116; 5,401,459; 5,511,903; 5,716,163; 5,588,778; 5,839,844 Canadian Patents: 1,329,959; 2,004,564 Other patents pending. Infiltrator, Equalizer, Quick4, and SideWinder are registered trademarks of Infiltrator Water Technologies. Infiltrator is a registered trademark in France. Infiltrator Water Technologies is a registered trademark in Mexico. Contour, MicroLeaching, PolyTuff, ChamberSpacer, MultiPort, PosiLock, QuickCut, QuickPlay, SnapLock and StraightLock are trademarks of Infiltrator Water Technologies. PolyLok is a trademark of PolyLok, Inc. TUF-TITE is a registered trademark of TUF-TITE, INC. Ultra-Rib is a trademark of IPEX Inc.



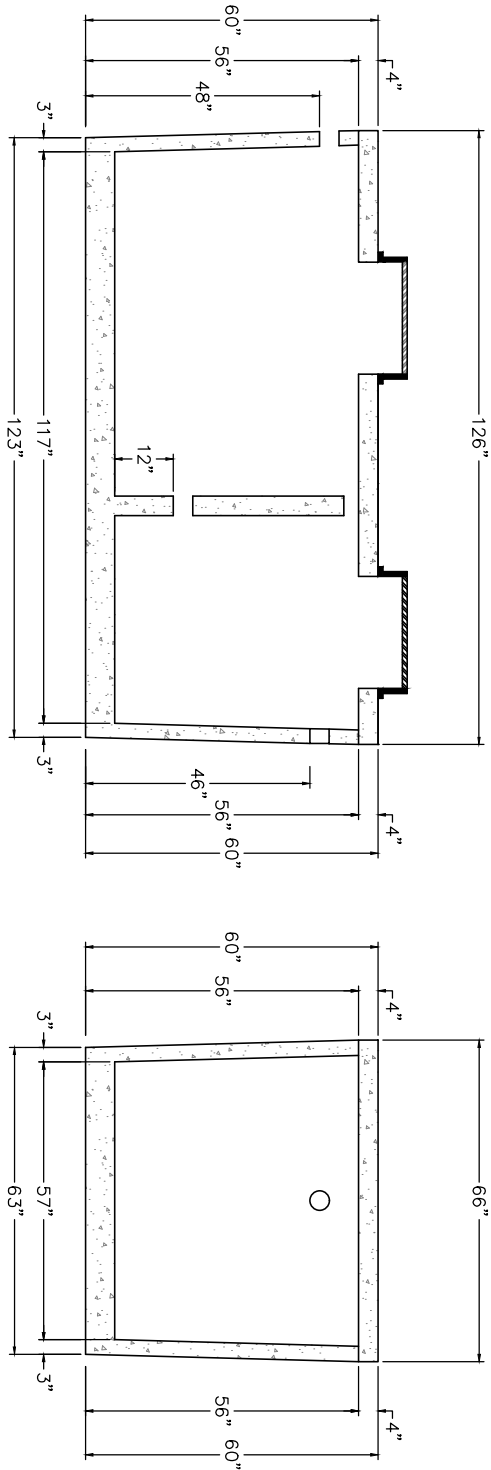
1,500 ST-322
NTS

NON TRAFFIC BEARING

DAVID BRANTLEY & SONS
37 Pine Ridge Rd.
Zebulon, NC 27597
Office 252-478-3721
Fax 919-573-0443
installer@gmail.com

PREPARED FOR :	David Brantley & Sons 37 Pine Ridge Rd. Zebulon, NC 27597	REVISION NO.	DATE
DATE :	April 11, 2014	Original Submittal	April 11, 2014
CONTACT:	CORY BRANTLEY	Revision 1	
		Revision 2	
		Revision 3	
		Master Set	-----

BRANTLEY TANK MODEL 1,500 ST 322
SHEET NUMBER 1 of 1



1,500 PT 293
NTS

NON TRAFFIC BEARING

DAVID BRANTLEY & SONS

37 Pine Ridge Rd.
Zebulon, NC 27597
Office 252-478-3721
Fax 919-573-0443
1installer@gmail.com

PREPARED FOR : David Brantley & Sons
37 Pine Ridge Rd.
Zebulon, NC 27597

DATE : April 11, 2014

CONTACT:
CORY BRANTLEY

REVISION NO.

Original Submittal
Revision 1
Revision 2
Revision 3
Master Set

DATE

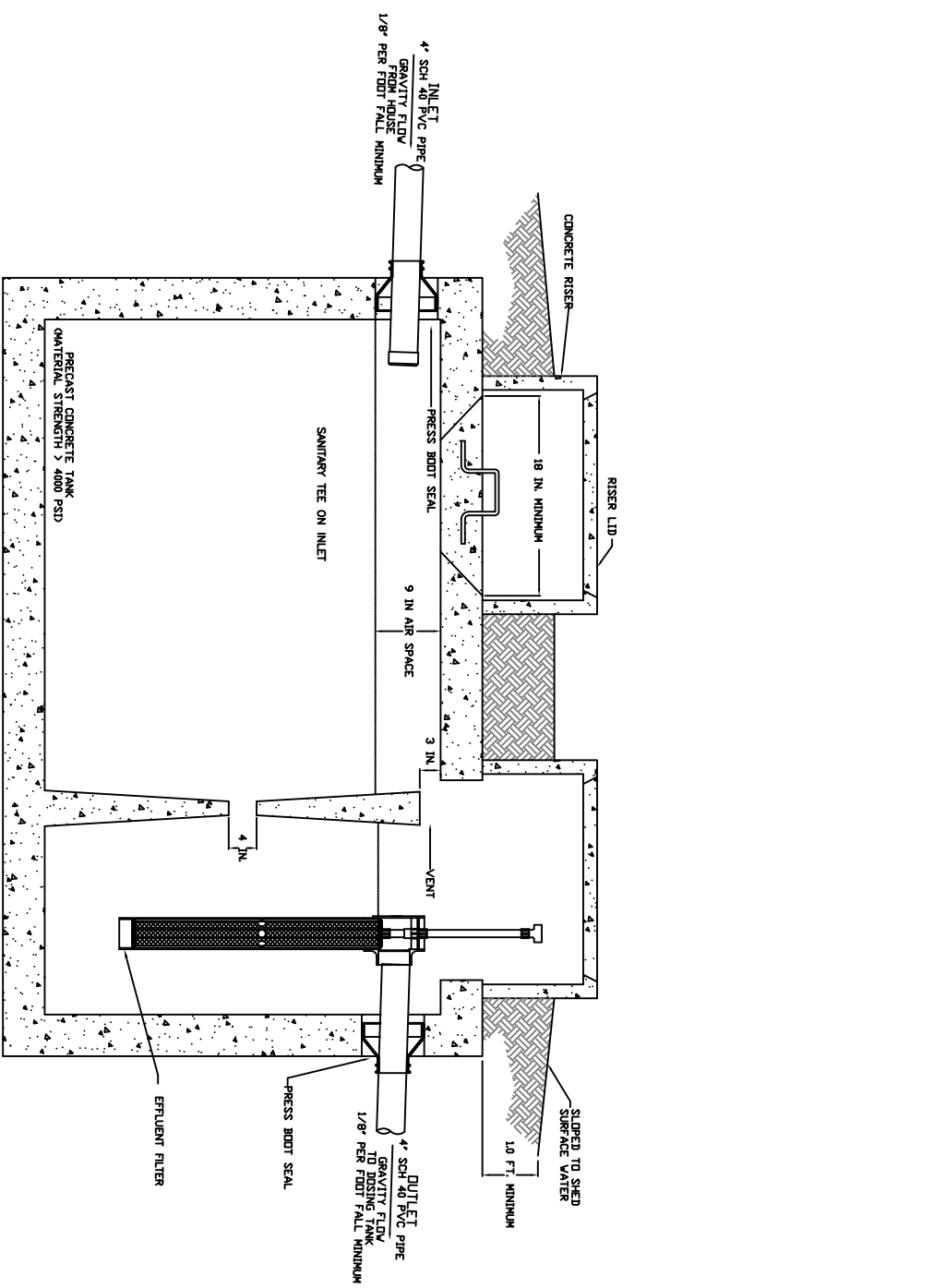
April 11, 2014

BRANTLEY TANK MODEL

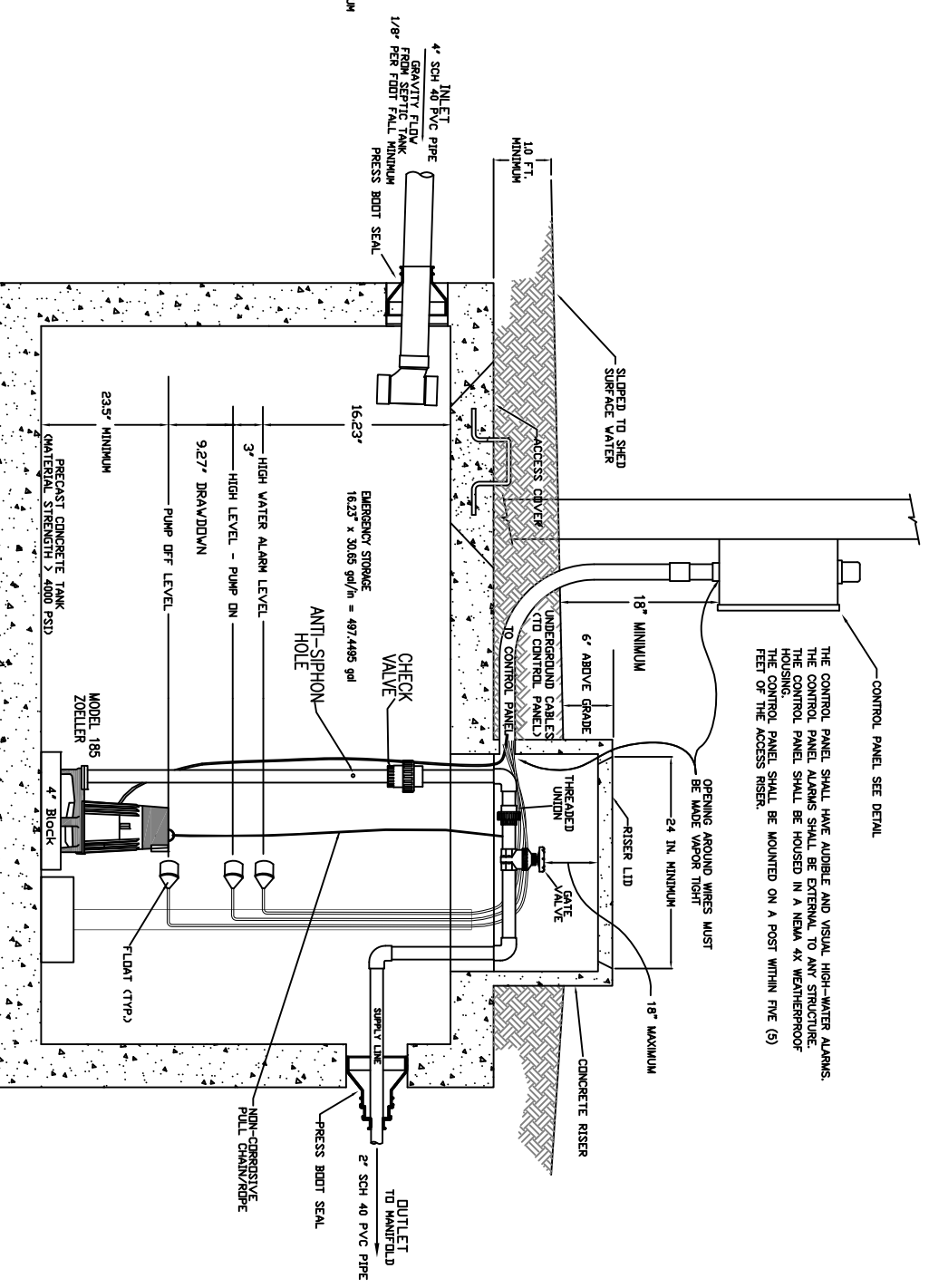
1,500 PT 293

SHEET NUMBER

1 of 1

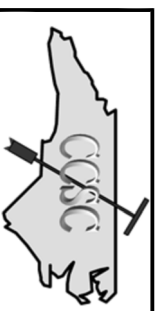


1500 GAL SEPTIC TANK SCHEMATIC
NOT TO SCALE



1500 GAL PUMP TANK SCHEMATIC
NOT TO SCALE

- NOTES
1. ALL TANKS SHALL BE LEAK TESTED SUCH THAT EXFILTRATION OCCURS AT A RATE WHICH DOES NOT EXCEED TEN GALLONS PER TANKY-FOUR HOURS PER 1,000 GALLONS OF TANK CAPACITY.
 2. ALL TANKS SHALL REST ON A BED OF #57 WASHED GRAVEL. THE MINIMUM THICKNESS OF THE GRAVEL BED IS 6 INCHES.
 3. ALL TANKS MUST BE APPROVED FOR USE BY THE NORTH CAROLINA DEPARTMENT OF ENVIRONMENTAL HEALTH (DEH).
 4. INVERTS SHOWN ARE APPROXIMATE. THE INSTALLER SHALL FIELD CONFIRM PRIOR TO CONSTRUCTION.
 5. ALL HARDWARE INSTALLED INSIDE OF TANKS SHALL BE OF STAINLESS STEEL.
 6. TANK DIMENSIONS VARY BY MANUFACTURER.
 7. DRAWDOWN WILL VARY WITH TANK DIMENSIONS.
 8. NO ELECTRICAL SPLICES SHALL BE MADE INSIDE THE PUMP TANK.

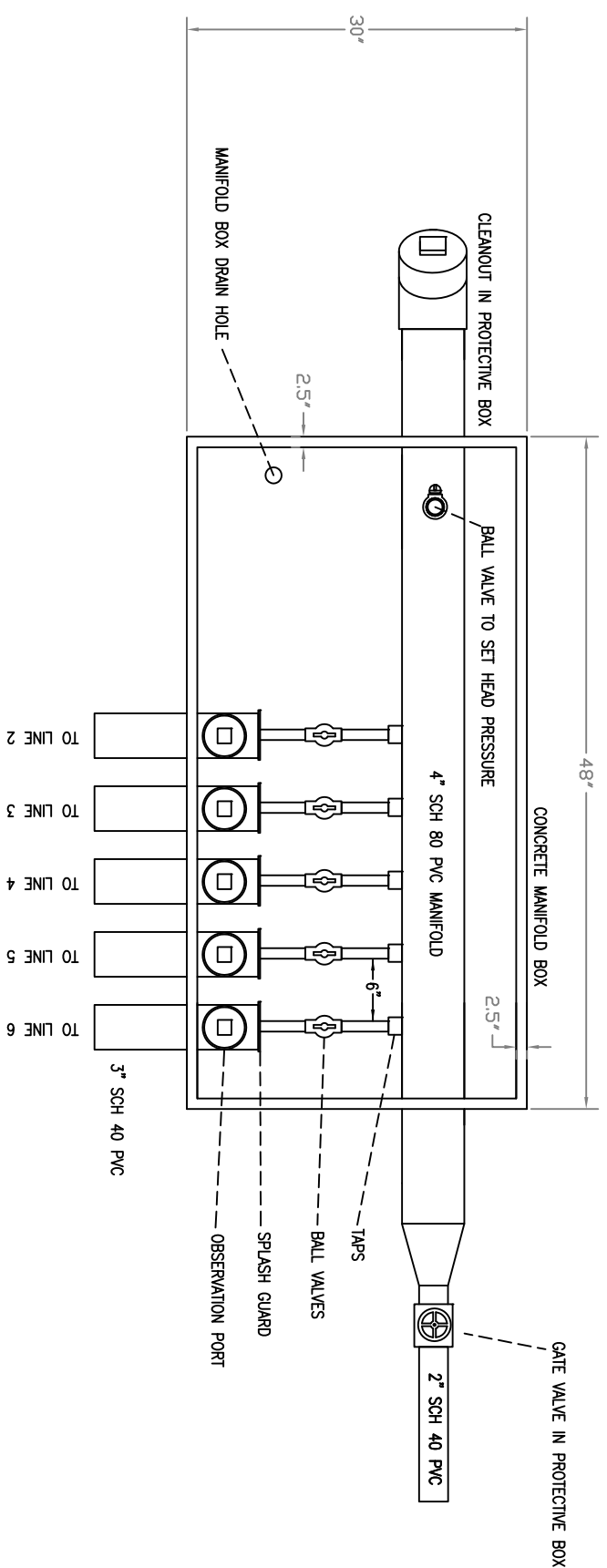


Central Carolina Soil Consulting, PLLC
1900 South Main Street, Suite 110
Wake Forest, North Carolina 27587
Phone (919)569-6704 Fax (919)569-6703

Septic and Pump Tank Details
98 Pondhurst Lane, Lot 1
Harnett County, North Carolina

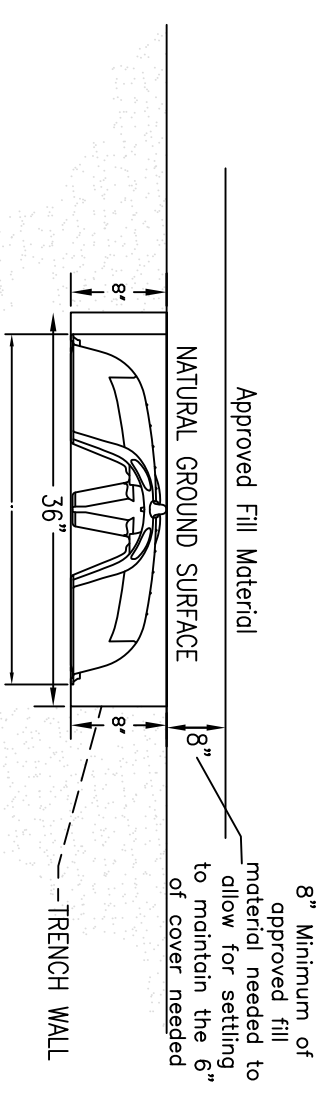
Job#: 4760
Drawn By: JR
Date: 12/05/2023

PRESSURE MANIFOLD DETAILS TOP VIEW

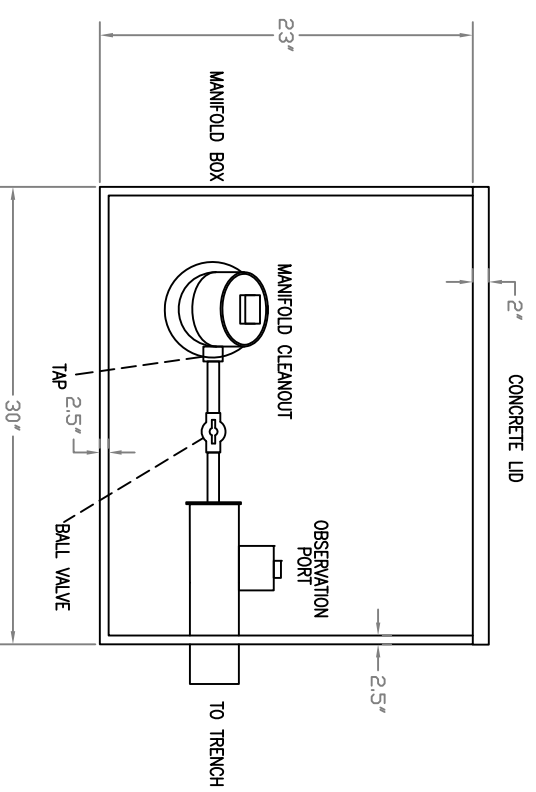


At-Grade System Infiltrator Quick4 Plus Low Profile Chambers DETAILS

Example only: Installed trench bottom should match design.



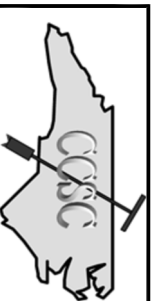
PRESSURE MANIFOLD DETAILS END VIEW



TAP SCHEDULE	
LINE #	TAP
2	1/2" SCH 80
3	1/2" SCH 40
4	3/4" SCH 40
5	3/4" SCH 40
6	3/4" SCH 40

NOTE :

1. LPC INSTALLATION SHALL MEET THE REQUIREMENTS INCLUDED IN ITS INNOVATIVE APPROVAL
2. TRENCH BOTTOM SHALL BE AT LEAST 12" FROM ANY RESTRICTIVE SOIL LAYER
3. END CAP SHALL BE PROVIDED AT END OF ALL LPC LINES AND TRENCH AND TRENCH BOTTOMS SHALL BE LEVEL
4. THIS IS A GENERIC TRENCH PROFILE FOR AN AT-GRADE TRENCH DEPTH.



Central Carolina Soil Consulting, PLLC
 1900 South Main Street, Suite 110
 Wake Forest, North Carolina 27587
 Phone (919)569-6704 Fax (919)569-6703

Manifold and Trench Details
 98 Pondhurst Lane, Lot 1
 Harnett County, North Carolina

Job#: 4760
 Drawn By: JR
 Date: 12/05/2023