

**THE "CHATHAM"
FARMHOUSE - A
MAGNOLIA ACRES
HARNETT COUNTY, NC
LOT - 8
HHHUNT HOMES**

GENERAL NOTES:

1. CONTRACTOR AND EACH SUB-CONTRACTOR SHALL BE REQUIRED TO CHECK AND BE RESPONSIBLE FOR CONFORMANCE OF PLANS WITH ALL REQUIREMENTS AND LOCAL ORDINANCES, BUILDING CODES, BUILDING INSPECTOR, AND MANUFACTURERS RECOMMENDATIONS PRIOR TO SIGNING THE CONTRACT OR BEGINNING WORK. THE COST OF CORRECTION, MODIFICATIONS, ADDITIONS, ETC., WHICH ARE CALLED FOR OR REQUIRED BY LOCAL ORDINANCES, BUILDING CODES, BUILDING INSPECTOR AND MANUFACTURERS AND NOT SPECIFICALLY NOTED OR SHOWN ON THE DRAWINGS TO COMPLETE A TURNKEY JOB SHALL BE PAID FOR AND BE THE RESPONSIBILITY OF THE CONTRACTOR. THE DRAWINGS ARE DIAGRAMMATIC, INTENDED TO OUTLINE GENERAL REQUIREMENTS ONLY AND NOT INTENDED TO BE COMPLETE IN ALL DETAILS. SPECIFIC IMPLEMENTATIONS OF PLANS SHALL BE THE REQUIREMENT OF THE CONTRACTOR WHO REPRESENTS HE HAS THE SKILL AND EXPERT KNOWLEDGE TO EXECUTE THE WORK REQUIRED.
2. ALL WORK SHALL BE ACCURATELY LAID OUT IN COOPERATION WITH OTHER TRADES TO AVOID CONFLICTS AND TO OBTAIN A NEAT WORKMANLIKE INSTALLATION. EACH SUB-CONTRACTOR IS RESPONSIBLE FOR COORDINATING AND MAKING SURE HIS WORK PROPERLY CONNECTS WITH ADJOINING OR CONNECTING WORK ON WHICH THE CONSTRUCTION OF HIS WORK IS DEPENDENT FOR A TURNKEY JOB.
3. ALL DRAWINGS ARE INTENDED TO BE RIGID IN SPECIFIC DETAILS. WHERE SUCH DETAILS MAY BE IN CONFLICT WITH RECOMMENDATIONS OF THE MANUFACTURER OF EQUIPMENT ACTUALLY PROVIDED AND WHEN DISCREPANCIES BETWEEN DRAWINGS AND RECOMMENDATIONS CHANGE THE INTENT OF THE DRAWINGS, SUCH CHANGES ARE TO BE APPROVED BY HHHUNT.
4. THE CONTRACTOR AND EACH SUB-CONTRACTOR SHALL PROTECT HIS AND OTHERS WORK FROM DAMAGE DUE TO HIS OPERATIONS AND SHALL REPLACE, OR REPAIR AS REQUIRED, ALL DAMAGED WORK TO THE SATISFACTION OF THE OWNER.
5. MEASUREMENTS AND WORKMANSHIP AND WORKING CONDITIONS FOR ALL WORK SHALL BE TAKEN AT THE SITE AND COORDINATED WITH CONNECTING WORK BY EACH SUB-CONTRACTOR. EACH SUB-CONTRACTOR SHALL VERIFY FIGURES SHOWN ON DRAWINGS BEFORE LAYING OUT OR PROCEEDING WITH WORK AND SHALL BE HELD RESPONSIBLE FOR ANY ERRORS RESULTING FROM HIS FAILURE TO EXERCISE SUCH VERIFICATION.
6. THE ELECTRICAL AND MECHANICAL CONTRACTORS SHALL OBTAIN AND SUBMIT TO THE LOCAL DEPARTMENT OF BUILDING INSPECTIONS ALL DRAWINGS AND DOCUMENTATION REQUIRED TO OBTAIN A PERMIT FOR THE ELECTRICAL AND MECHANICAL WORK. HVAC PLANS MUST BE APPROVED BY HHHUNT PRIOR TO INSTALLATION.
7. BLOCKING: GENERAL CONTRACTOR SHALL PROVIDE ADEQUATE BLOCKING ON WALLS AND CEILING FOR ATTACHING FIXTURES, EQUIPMENT, DRAPERY TRACK, ETC.

STRUCTURAL COORDINATOR:

Tanner Lester

11237 Nuckols Road, Glen Allen, VA 23059
Telephone: (804) 762-4667
Email: talester@hhhunt.com

SHEET INDEX:

A-2 FIRST FLOOR PLAN
A-3 SECOND FLOOR PLAN
S-4 ROOF PLAN
A-5 ELEVATIONS
A-5b ELEVATIONS-SIDES-REAR
A-7 SECTIONS

PLANS TO BE BUILT:

- As Drawn
 Reversed (All)

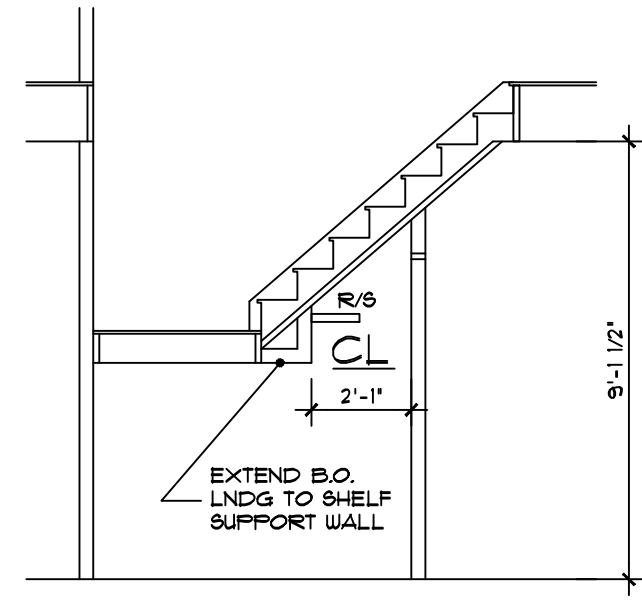
NOTES:

1. ALL EXTERIOR WALLS ARE 4" (U.N.O.)
2. ALL INTERIOR WALLS ARE 3 1/2" (U.N.O.)
3. SMOKE DETECTORS SHALL BE INTERCONNECTED AND SHALL RECEIVE THEIR PRIMARY POWER BY PERMANENT CONNECTION TO THE DWELLINGS ELECTRICAL SYSTEM AND WHEN PRIMARY POWER IS INTERRUPTED, SHALL RECEIVE POWER FROM A BATTERY

CODE ANALYSIS

2018 NORTH CAROLINA RESIDENTIAL CODE
USE GROUP - R-5
CONSTRUCTION TYPE - 5B
BUILDING SHALL NOT BE SPRINKLERED

COPYRIGHT 2024 HHH HUNT HOMES ALL RIGHTS PROTECTED REPRODUCTION PROHIBITED
 Purchaser understands that the plan is not precisely to scale and the dimensions shown therein are also not precise.
 Purchaser agrees that it is in HHH Hunt Homes' sole discretion to deviate from the plans and specifications, provided the improvements as built are in substantial compliance with the approved plans.



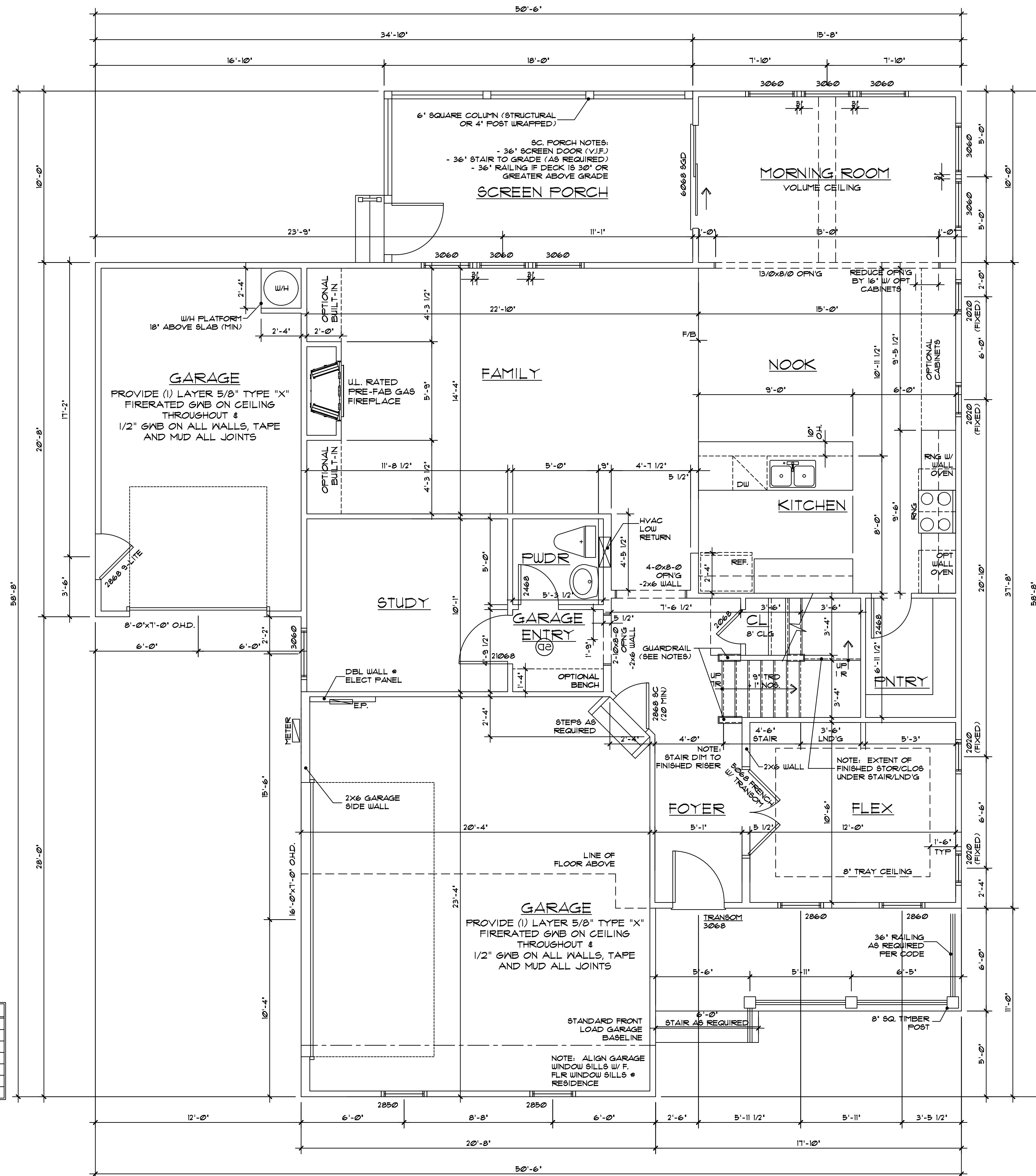
STAIR CLOS DETAIL
 1/4" = 1'-0"

NOTE:
 ** = 2-2x4 STUD POCKET
 BETWEEN WINDOWS (TYPICAL)

STAIR & RAIL NOTES

- STAIR TREADS SHALL BE 9" PLUS 1" NOSING
 - STAIR RISERS SHALL BE 8-1/4" MAX.
 - 6'-8" MIN HEADROOM (FINISHED) AT ALL STAIR LOCATIONS
 - ALL HANDRAILS SHALL BE 34"-38" ABOVE NOSING, CONTINUOUS ON ONE SIDE OF STAIR RUN
 - HANDRAIL GRIP SIZED SHALL BE 1-1/4" DIA MIN TO 2" DIA MAX
 - GUARDRAIL NOTES:
 - STANDARD KNEEWALL WITH WOOD CAP, 42" ABOVE SUBFLOOR OR 42" ABOVE NOSING AT STAIR
 - OPTIONAL 36" H. RAILING IN LIEU OF KNEEWALL
 - ALL BALUSTERS SHALL BE CONSTRUCTED TO NOT PERMIT A 4" DIA. SPHERE TO PASS
- NOTE: ALL NOTES TYPICAL UNLESS NOTED OTHERWISE OR REQUIRED BY CODE

Chatham - Floor Areas	1/18/2012	
	INSIDE	OUTSIDE
FIRST FLOOR	1303 sf	1358 sf
SECOND FLOOR	1334 sf	1384 sf
TOTAL	2637 sf	2742 sf
GARAGE (SIDELOAD)	457 sf	475 sf



FIRST FLOOR PLAN

1/4" = 1'-0"

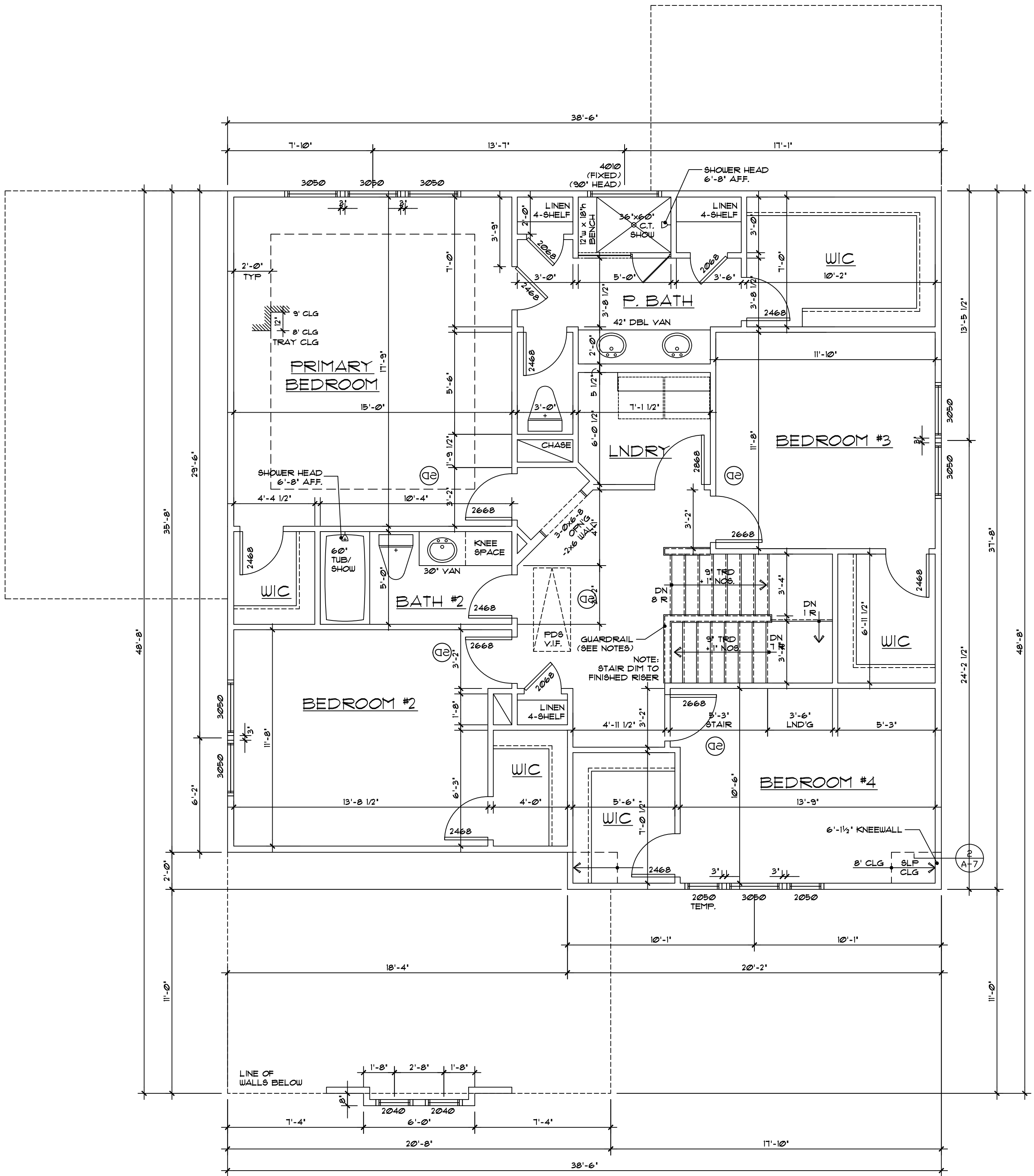
COPYRIGHT 2024 HHH HUNT HOMES. ALL RIGHTS RESERVED. REPRODUCTION PROHIBITED.
 Purchaser understands that the plan is not precisely to scale and the dimensions shown therein are also not precise.
 Purchaser agrees that it is in HHH Hunt Homes' sole discretion to deviate from the plans and specifications, provided the improvements as built are in substantial compliance with the approved plans.

STAIR & RAIL NOTES

- STAIR TREADS SHALL BE 9" PLUS 1" NOSING
- STAIR RISERS SHALL BE 8-1/4" MAX.
- 6'-8" MIN HEADROOM (FINISHED) AT ALL STAIR LOCATIONS
- ALL HANDRAILS SHALL BE 34"-38" ABOVE NOSING, CONTINUOUS ON ONE SIDE OF STAIR RUN
- HANDRAIL GRIP SIZED SHALL BE 1-1/4" DIA MIN TO 2" DIA MAX
- GUARDRAIL NOTES:
 - STANDARD KNEEWALL WITH WOOD CAP, 42" ABOVE SUBFLOOR OR 42" ABOVE NOSING AT STAIR
 - OPTIONAL 36" H. RAILING IN LIEU OF KNEEWALL
- ALL BALUSTERS SHALL BE CONSTRUCTED TO NOT PERMIT A 4" DIA. SPHERE TO PASS

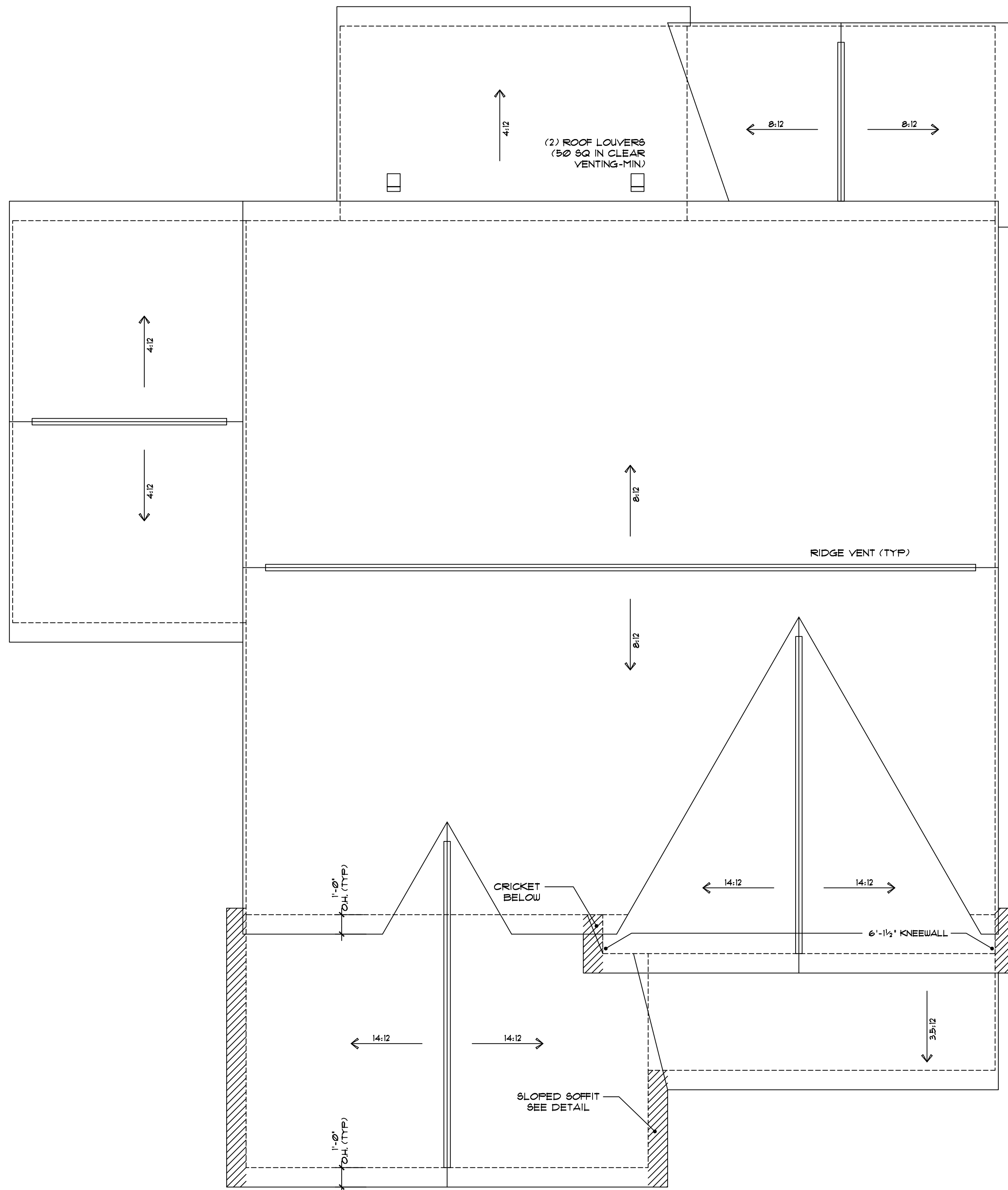
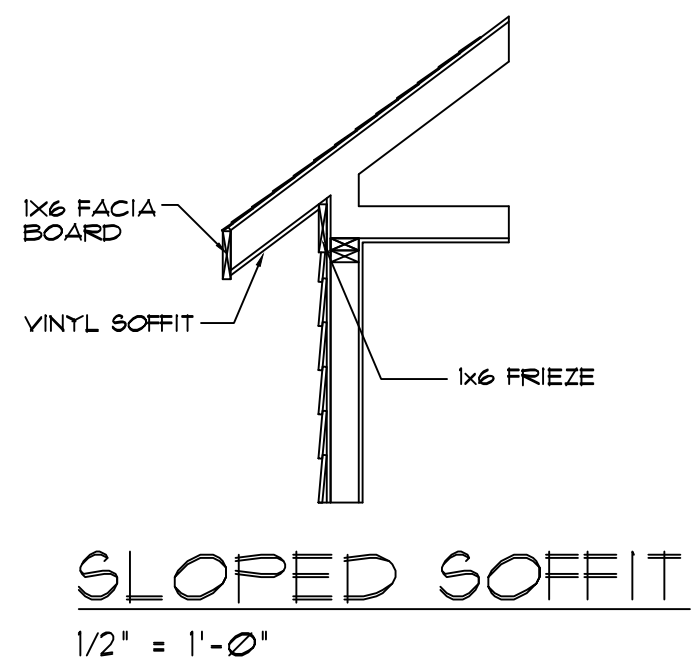
NOTE: ALL NOTES TYPICAL UNLESS NOTED OTHERWISE OR REQUIRED BY CODE

NOTE:
 ** = 2-2x4 STUD POCKET BETWEEN WINDOWS (TYPICAL)



SECOND FLOOR PLAN

1/4" = 1'-0"



FARMHOUSE A

COPYRIGHT 2024 HHHUNT HOMES. ALL RIGHTS RESERVED. REPRODUCTION PROHIBITED. Purchaser understands that the plan is not precisely to scale and the dimensions shown therein are also not precise. Purchaser agrees that it is in HHHunt Homes' sole discretion to deviate from the plans and specifications, provided the improvements as built are in substantial compliance with the approved plans.



HHHunt Homes
11237 Nuckols Road
Glen Allen, Va. 23059
(804) 762-4667

MA - 8
CHATHAM - FA

FUQUAY-VARINA, NC 27526

Revisions:	

Scale: 1/4"=1'
Drawn By: TAL
Checked By: MFR
Date: 3/27/2024

S-4
FA



HHH Hunt Homes
 11237 Nuckols Road
 Glen Allen, Va. 23059
 (804) 762-4667

MA - 8
 CHATHAM - FA

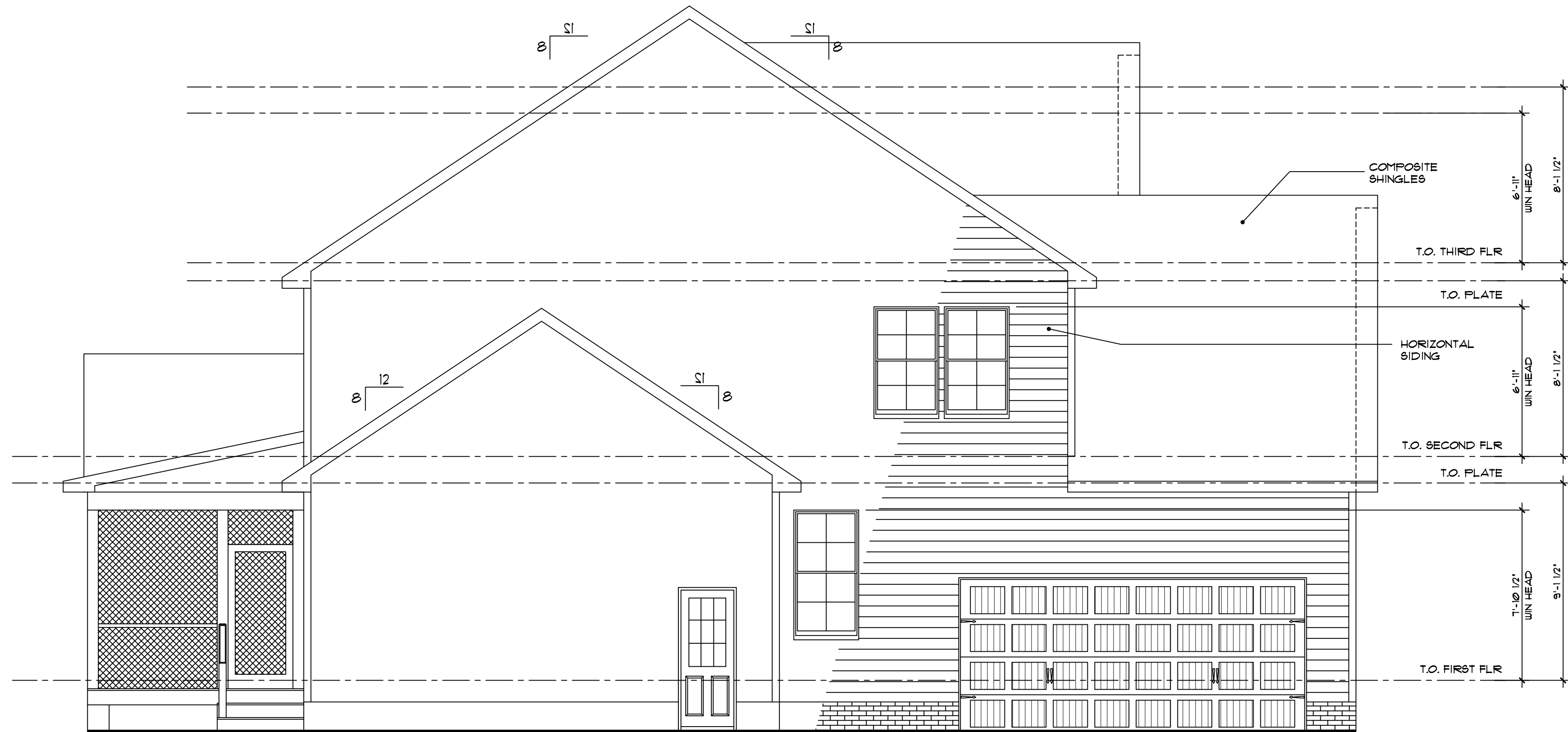
FUQUAY-VARINA, NC 27526

Revisions:

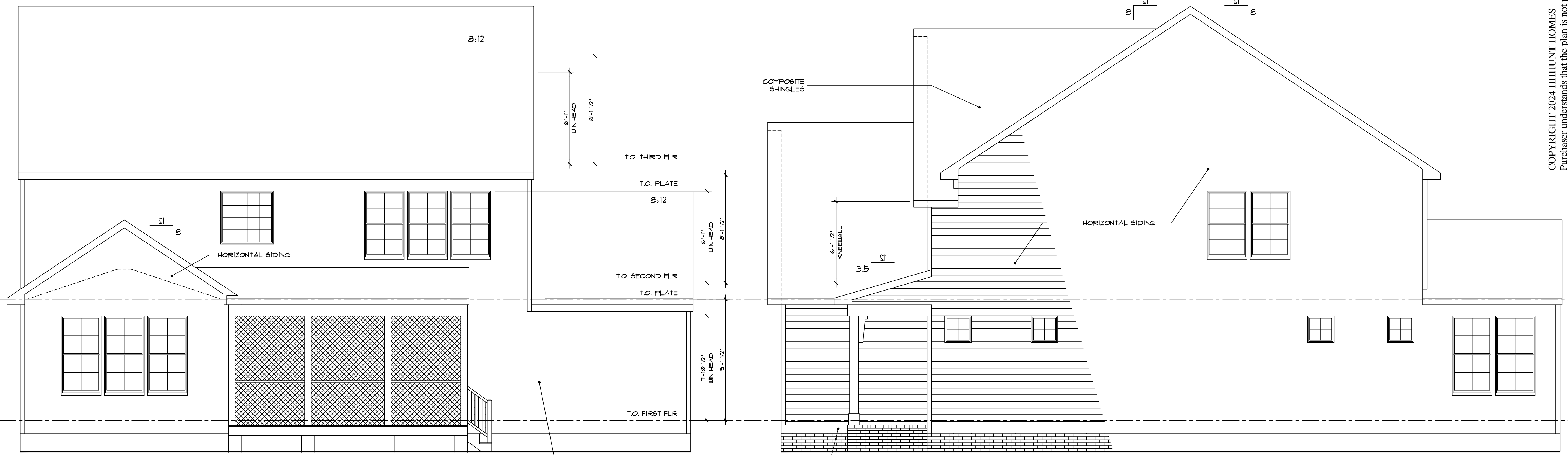
Scale: 1/4"=1'
 Drawn By: TAL
 Checked By: MFR
 Date: 3/27/2024

A-5b
 FA

COPYRIGHT 2024 HHH HUNT HOMES ALL RIGHTS PROTECTED REPRODUCTION PROHIBITED
 Purchaser understands that the plan is not precisely to scale and the dimensions shown therein are also not precise.
 Purchaser agrees that it is in HHH Hunt Homes' sole discretion to deviate from the plans and specifications, provided the improvements as built are in substantial compliance with the approved plans.

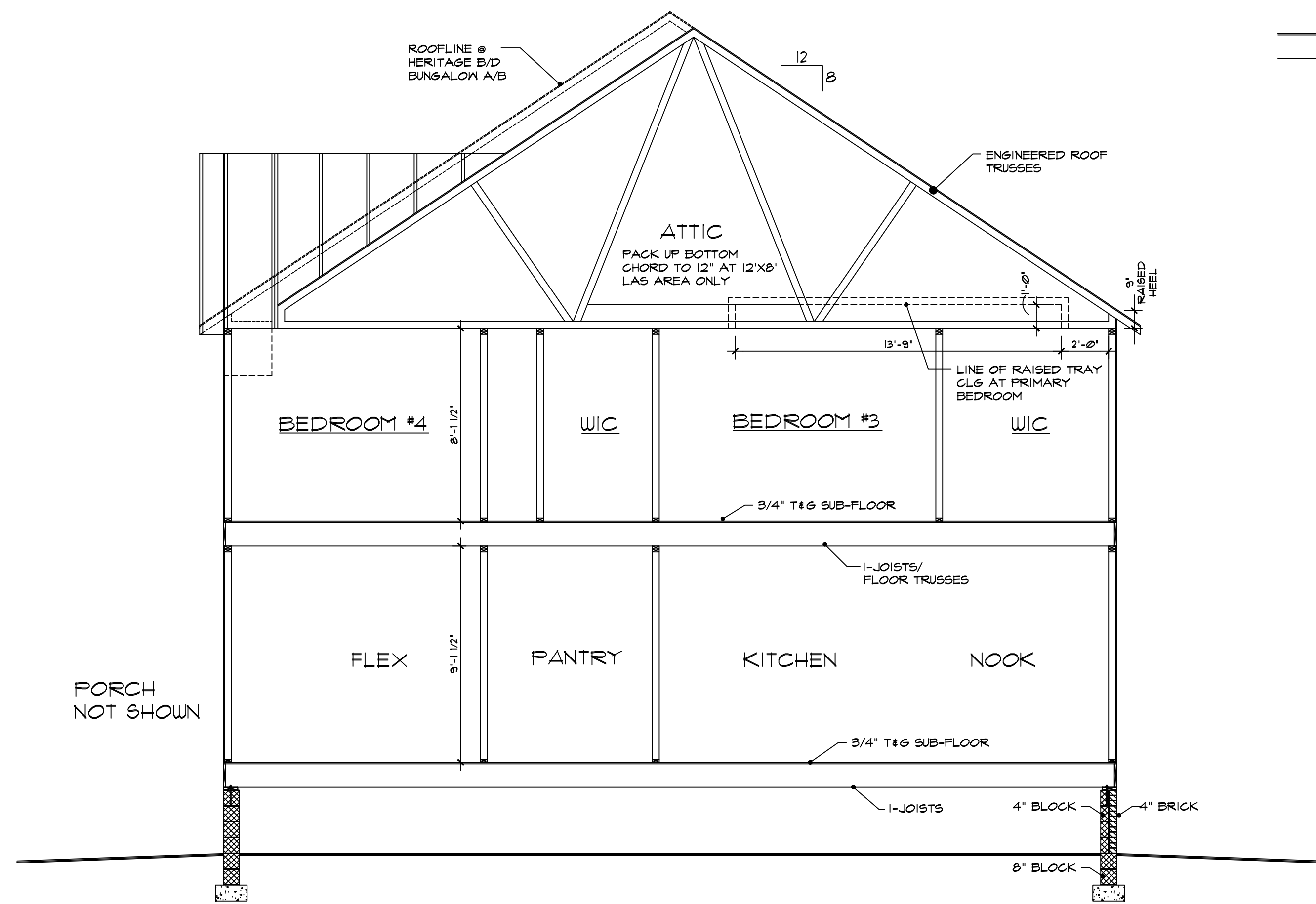


LEFT ELEVATION - FARMHOUSE A
 1/4" = 1'-0"

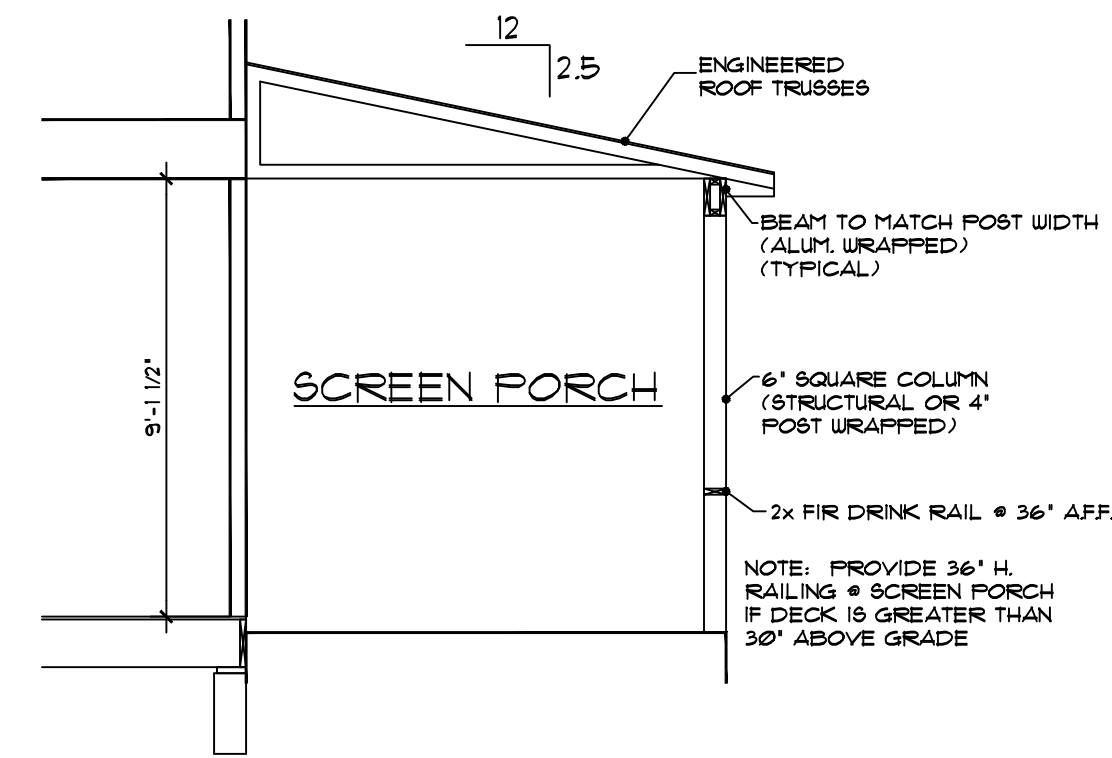


REAR ELEVATION - FARMHOUSE A
 1/4" = 1'-0"

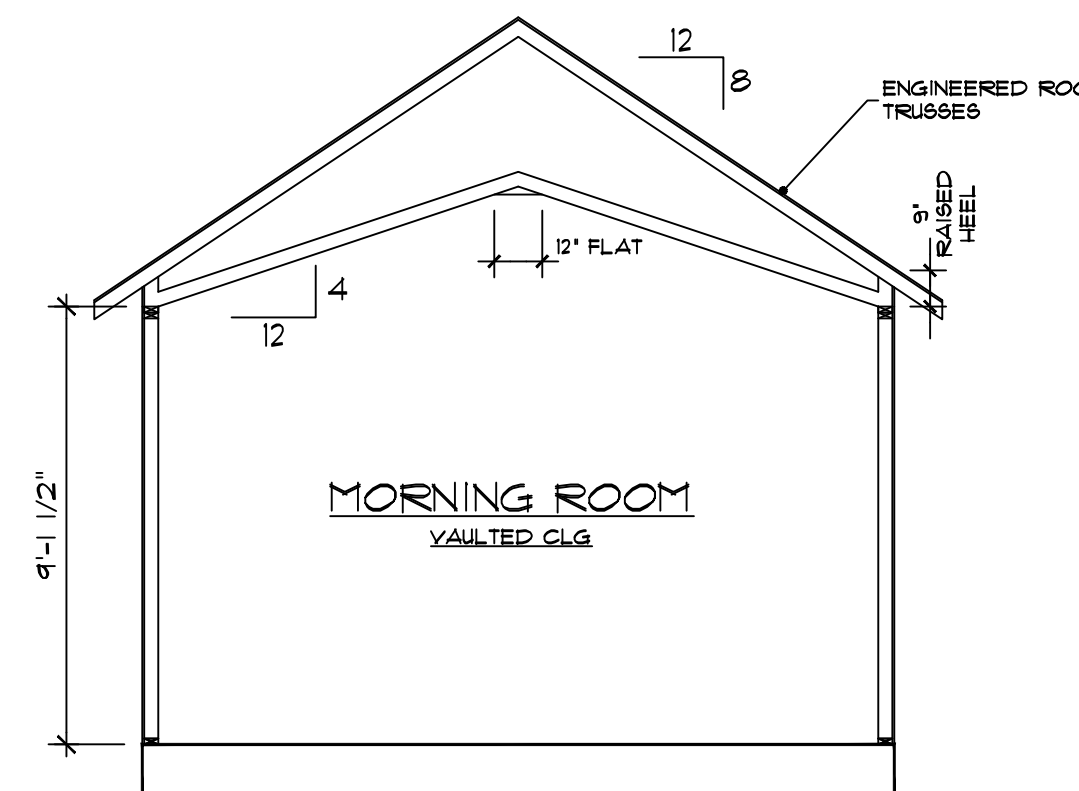
RIGHT ELEVATION - FARMHOUSE A
 1/4" = 1'-0"



1
A-7
TYPICAL HOUSE SECTION
 1/4" = 1'-0"
 CRAWL SPACE



TYPICAL SECTION
 1/4" = 1'-0"



TYPICAL SECTION
 1/4" = 1'-0"

COPYRIGHT 2024 HHHUNT HOMES. ALL RIGHTS RESERVED. REPRODUCTION PROHIBITED. Purchaser understands that the plan is not precisely to scale and the dimensions shown therein are also not precise. Purchaser agrees that it is in HHHunt Homes' sole discretion to deviate from the plans and specifications, provided the improvements as built are in substantial compliance with the approved plans.



HHHunt Homes
 11237 Nuckols Road
 Glen Allen, Va. 23059
 (804) 762-4667

MA - 8
CHATHAM - FA

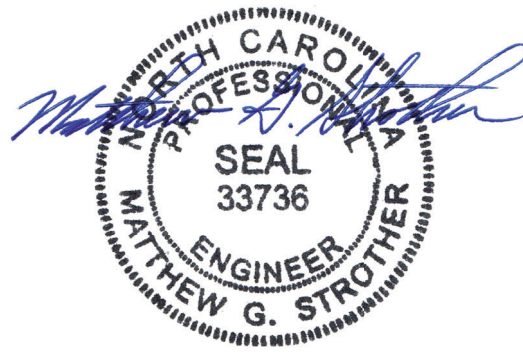
FUQUAY-VARINA, NC 27526

Revisions:	

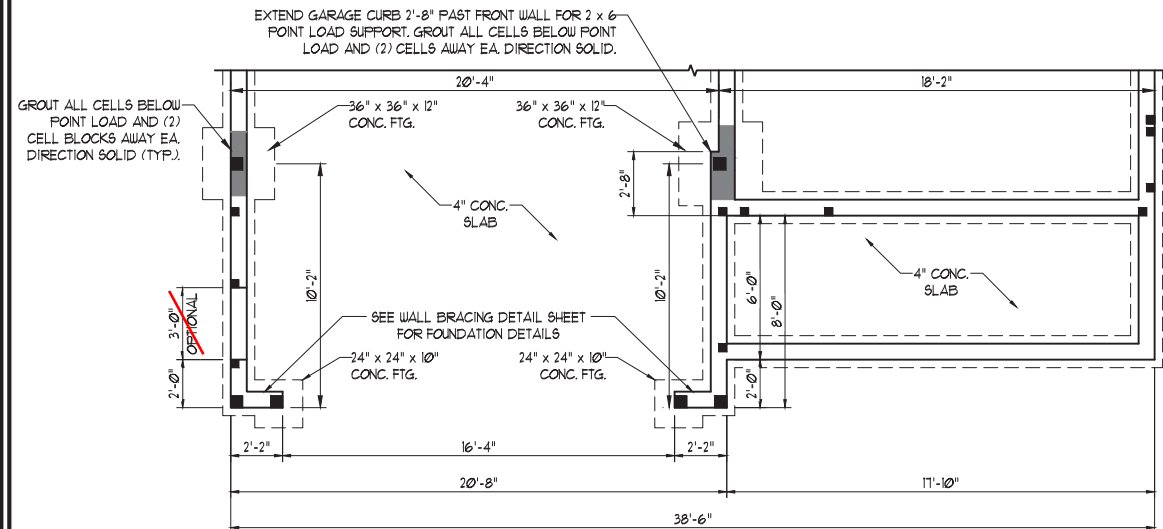
Scale: 1/4"=1'
 Drawn By: TAL
 Checked By: MFR
 Date: 3/27/2024

A-7

SCALE NOTE:
 LARGE FORMAT PRINTS ARE TO SCALE AS NOTED.
 11" x 17" PRINTS ARE ONE HALF THE NOTED SCALE



7/19/2022



FARMHOUSE A

J.S. THOMPSON ENGINEERING, INC
 606 WADE AVE., SUITE 104 RALEIGH, NC 27605
 PHONE: (919) 789-9919 FAX: (919) 789-9921
 N.C. LICENSE NO.: C-1733

CHATHAM
 HH HUNT HOMES

DATE: JULY 19, 2022
 SCALE: 1/4" = 1'-0"
 DRAWN BY: HH HUNT HOMES
 ENGINEERED BY: WFB

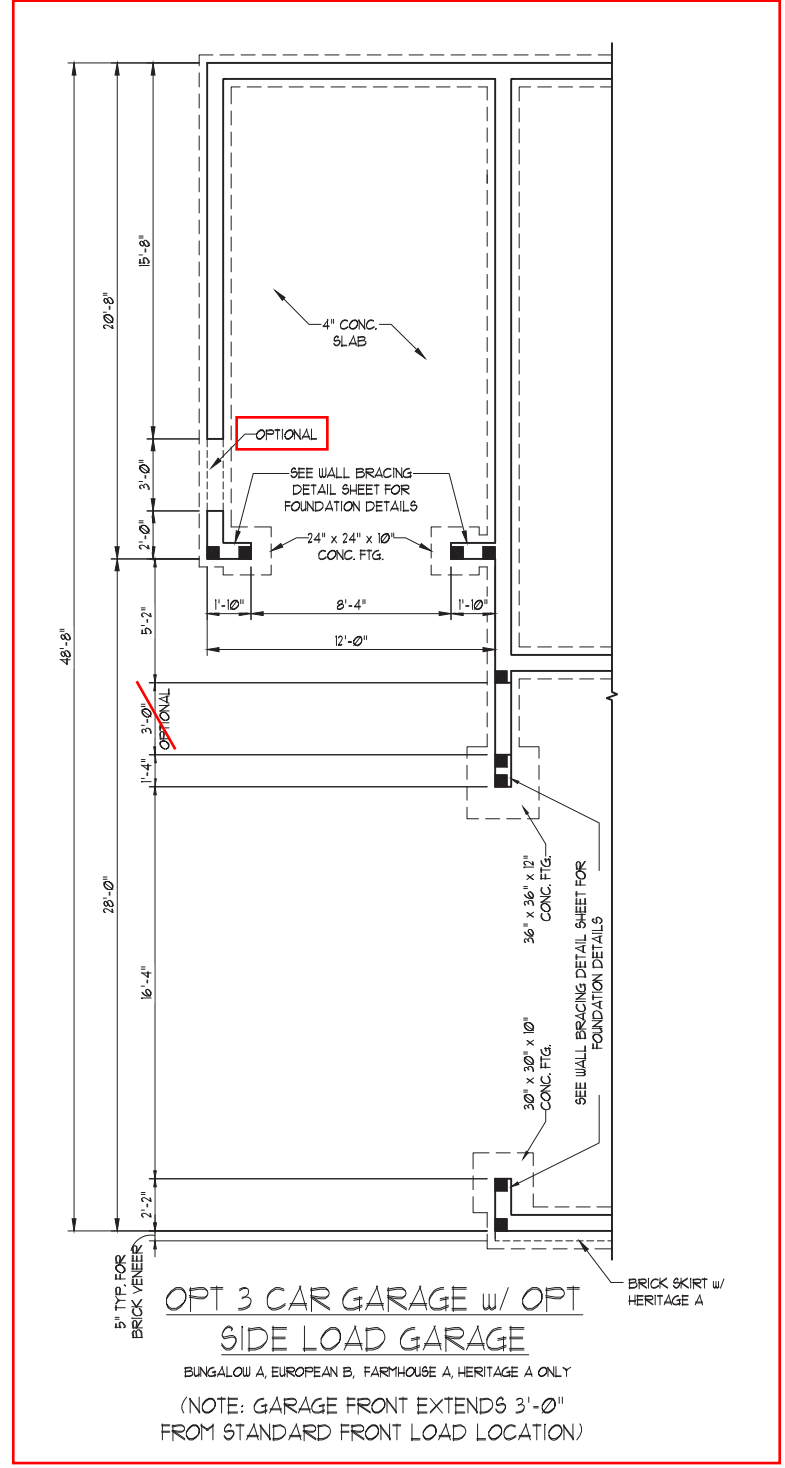
SHEET 2 OF 42
 S-1.1b
 CRAWL
 FOUNDATION PLAN

SCALE NOTE:
 LARGE FORMAT PRINTS ARE TO SCALE AS NOTED.
 11" x 17" PRINTS ARE ONE HALF THE NOTED SCALE



**J.S. THOMPSON
 ENGINEERING, INC**
 606 WADE AVE., SUITE 104 RALEIGH, NC 27605
 PHONE: (919) 789-9919 FAX: (919) 789-9921
 N.C. LICENSE NO. C-1733

CHATHAM
 HH HUNT HOMES



7/19/2022

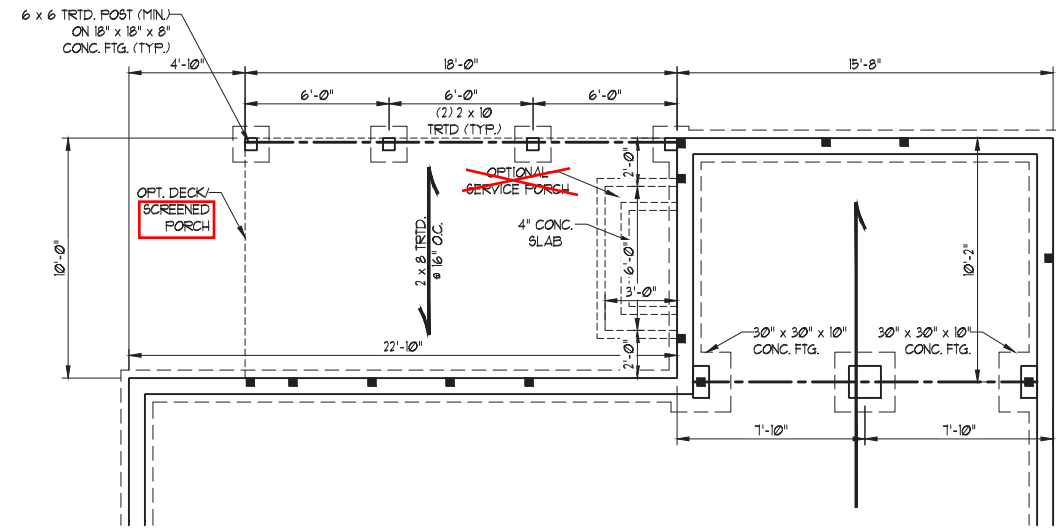
DATE: JULY 19, 2022
SCALE: 1/4" = 1'-0"
DRAWN BY: HH HUNT HOMES
ENGINEERED BY: WFB

SHEET 3 OF 42
 S-1.1c
 CRAWL FOUNDATION PLAN

SCALE NOTE:
LARGE FORMAT PRINTS ARE TO SCALE AS NOTED.
11" x 17" PRINTS ARE ONE HALF THE NOTED SCALE

**J.S. THOMPSON
ENGINEERING, INC**
606 WADE AVE., SUITE 104 RALEIGH, NC 27605
PHONE: (919) 789-9919 FAX: (919) 789-9921
N.C. LICENSE NO.: C-1733

CHATHAM
HH HUNT HOMES

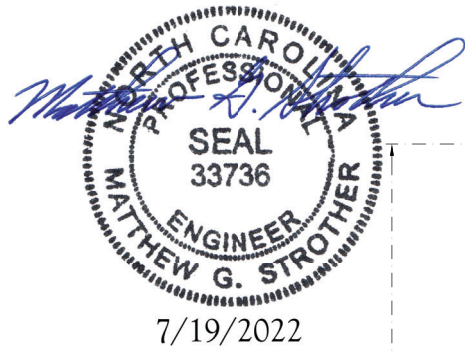


OPTIONAL MORNING ROOM (W/ DECK OR SCREENED PORCH)

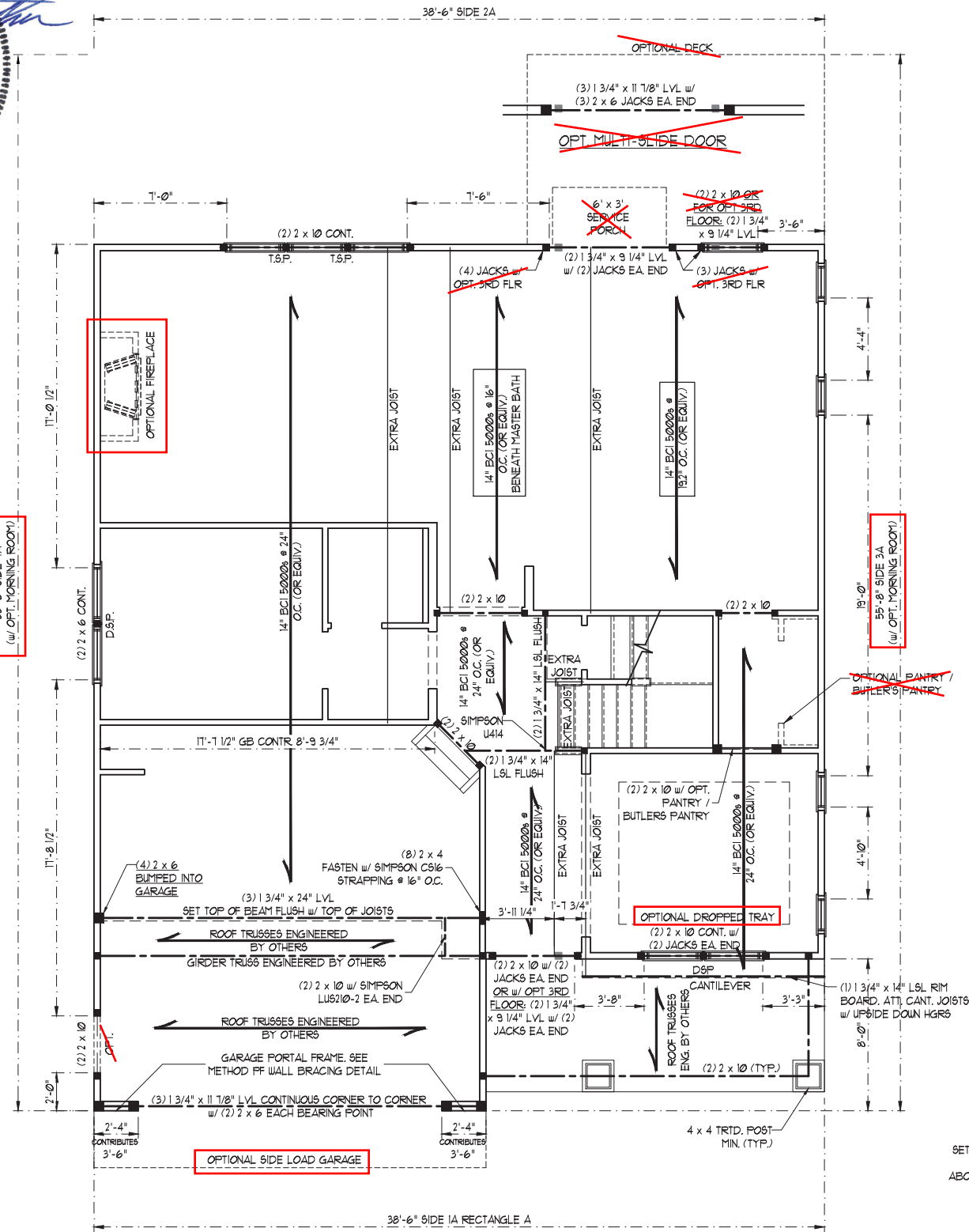


DATE: JULY 19, 2022
SCALE: 1/4" = 1'-0"
DRAWN BY: HH HUNT HOMES
ENGINEERED BY: WFB

SHEET: 4 OF 42
S-1.1d
CRAWL
FOUNDATION PLAN



SCALE NOTE:
LARGE FORMAT PRINTS ARE TO SCALE AS NOTED.
11" x 17" PRINTS ARE ONE HALF THE NOTED SCALE



BRACED WALL DESIGN NOTES:

- BRACED WALL DESIGN PER SECTION R602.10 OF THE NRC 2018 EDITION.
- C5-WSP REFERS TO "CONTINUOUS SHEATHING - WOOD STRUCTURAL PANELS" CONTRACTOR IS TO INSTALL 7/16" OSB ON ALL EXTERIOR WALLS ATTACHED w/ 8d NAILS SPACED 6" O.C. ALONG PANEL EDGES AND 12" O.C. IN THE FIELD.
- GB REFERS TO "GYPSUM BOARD" CONTRACTOR IS TO INSTALL 1/2" (MIN) GYPSUM WALL BOARD WHERE NOTED ON THE PLANS. FASTEN GB WITH 1 1/4" SCREWS OR 1 5/8" NAILS SPACED 1" O.C. ALONG PANEL EDGES AND IN THE FIELD INCLUDING TOP AND BOTTOM FLATES.
- BRACED WALL DESIGN APPLIED IN WIND ZONES UP TO 150 MPH. FOR HIGH WIND ZONES, BRACE WALLS ARE TO BE CONSTRUCTED IN ACCORDANCE WITH CHAPTER 45 OF THE NRC 2018 EDITION.
- SEE NOTES AND DETAIL SHEETS FOR ADDITIONAL BRACED WALL INFORMATION.

BRACED WALL DESIGN

RECTANGLE A

SIDE 1A (EUROPEAN B)
METHOD: C5-WSP/GB/FF
TOTAL REQUIRED LENGTH: 15.11'
TOTAL PROVIDED LENGTH: 21.15'
SIDE 2A (FAMILY EXTENSION)
METHOD: C5-WSP
TOTAL REQUIRED LENGTH: 15.11'
TOTAL PROVIDED LENGTH: 11.38'
SIDE 3A
METHOD: C5-WSP
TOTAL REQUIRED LENGTH: 10.78'
TOTAL PROVIDED LENGTH: 36.11'
SIDE 4A
METHOD: C5-WSP/FF
TOTAL REQUIRED LENGTH: 10.78'
TOTAL PROVIDED LENGTH: 36.75'

STRUCTURAL NOTES:

- ALL FRAMING LUMBER TO BE SPP #2 (UNO). ALL TREATED LUMBER TO BE SYP #2 (UNO).
- ALL LOAD BEARING HEADERS TO BE (2) 2 x 6 SPP #2 OR SYP #2 (KILN DRIED) (UNO). HEADERS HAVE BEEN DESIGNED BASED ON CALCULATED LOADS. CODE TABLES HAVE NOT BEEN USED.
- INSTALL AN EXTRA JOIST UNDER WALLS PARALLEL TO FLOOR JOISTS WHERE NOTED ON THE PLANS.
- WINDOW AND DOOR HEADERS TO BE SUPPORTED w/ (1) JACK STUD AND (1) KING STUD EA. END (UNO). SEE TABLE R602.15 FOR ADDITIONAL KING STUD REQUIREMENTS.
- SQUARES DENOTE POINT LOADS WHICH REQUIRE SOLID BLOCKING TO GIRDER OR FOUNDATION. ALL SQUARES TO BE (2) STUDS (UNO).
- ALL 4 x 4 POSTS SHALL BE ANCHORED TO SLABS w/ SIMPSON ABU44 POST BASES (OR EQUAL) AND 6 x 6 POSTS w/ ABU66 POST BASES (OR EQUAL) (UNO). ALL 4 x 4 AND 6 x 6 POSTS TO BE INSTALLED WITH 1000 LB CAPACITY UPLIFT CONNECTORS AT TOP (UNO).
- FOR FIBERGLASS, ALUMINUM, OR COLUMN ENG. BY OTHERS, SECURE TO SLAB w/ (2) METAL ANGLES USING 2" CONC. SCREWS. FASTEN ANGLES TO COLUMN w/ 1/4" THROUGH BOLTS w/ NUTS AND WASHERS. LOCATE ANGLES ON OPPOSITE SIDES OF COLUMN. THROUGH BOLTS MUST BE INSTALLED PRIOR TO SETTING COLUMN.
- REFER TO NOTES AND DETAIL SHEETS FOR ADDITIONAL STRUCTURAL INFORMATION.

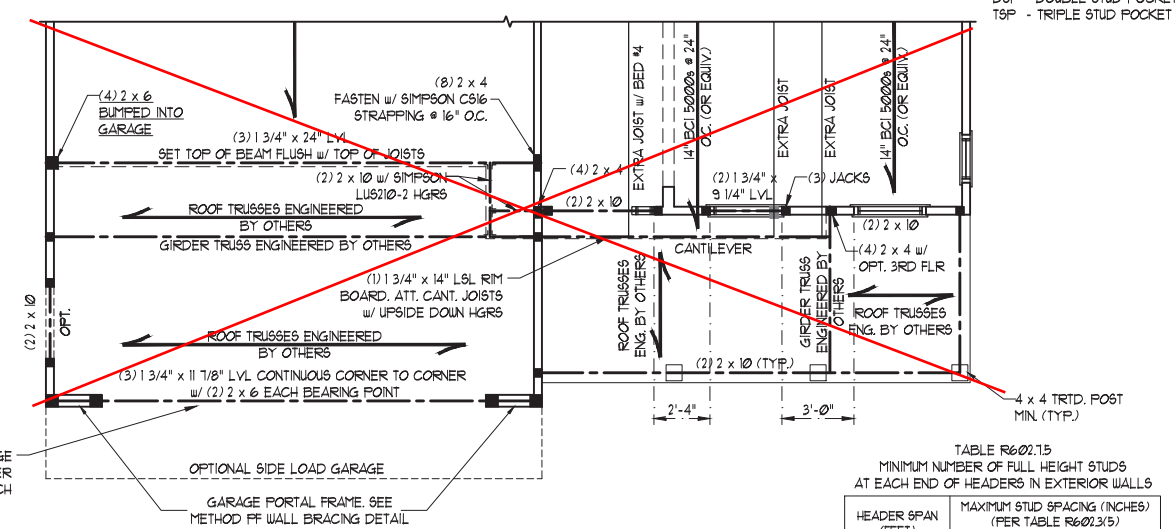


TABLE R602.15
MINIMUM NUMBER OF FULL HEIGHT STUDS AT EACH END OF HEADERS IN EXTERIOR WALLS

HEADER SPAN (FEET)	MAXIMUM STUD SPACING (INCHES) (PER TABLE R602.3/5)	
	16	24
UP TO 3'	1	1
4'	2	1
8'	3	2
12'	5	3
16'	6	4

NOTE:

- TJI 210 JOISTS MAY BE USED IN LIEU OF ECI 5000s-18 JOISTS AT THE DEPTH AND SPACING NOTED ON THE PLAN.
- SEE SHEET D-1 FOR FLOOR TRUSS ALTERNATIVE.

J.S. THOMPSON ENGINEERING, INC
606 WADE AVE., SUITE 104 RALEIGH, NC 27605
PHONE: (919) 789-9919 FAX: (919) 789-9921
N.C. LICENSE NO. C-1733

CHATHAM
HH HUNT HOMES

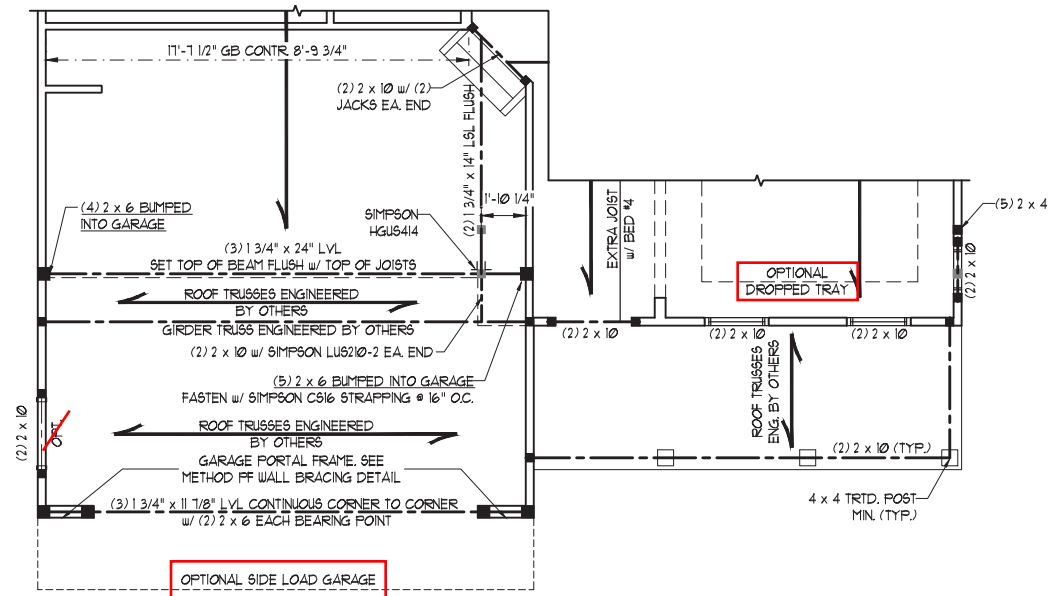
DATE: JULY 19, 2022
SCALE: 1/4" = 1'-0"
DRAWN BY: HH HUNT HOMES
ENGINEERED BY: WFB

SHEET 26 OF 42
S-3a
SECOND FLOOR FRAMING PLAN

SCALE NOTE:
LARGE FORMAT PRINTS ARE TO SCALE AS NOTED.
11" x 17" PRINTS ARE ONE HALF THE NOTED SCALE



7/19/2022



FARMHOUSE A

**J.S. THOMPSON
ENGINEERING, INC**
606 WADE AVE., SUITE 104 RALEIGH, NC 27605
PHONE: (919) 789-9919 FAX: (919) 789-9921
N.C. LICENSE NO. C-1733

CHATHAM
HH HUNT HOMES

DATE: JULY 19, 2022
SCALE: 1/4" = 1'-0"
DRAWN BY: HH HUNT HOMES
ENGINEERED BY: WFB

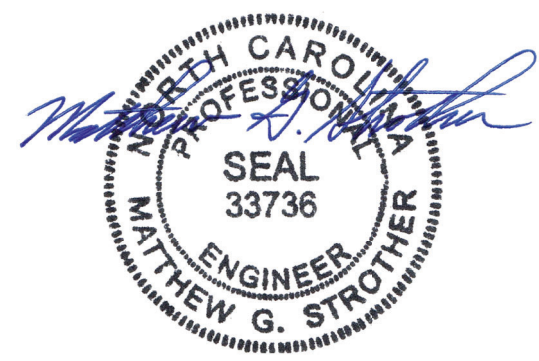
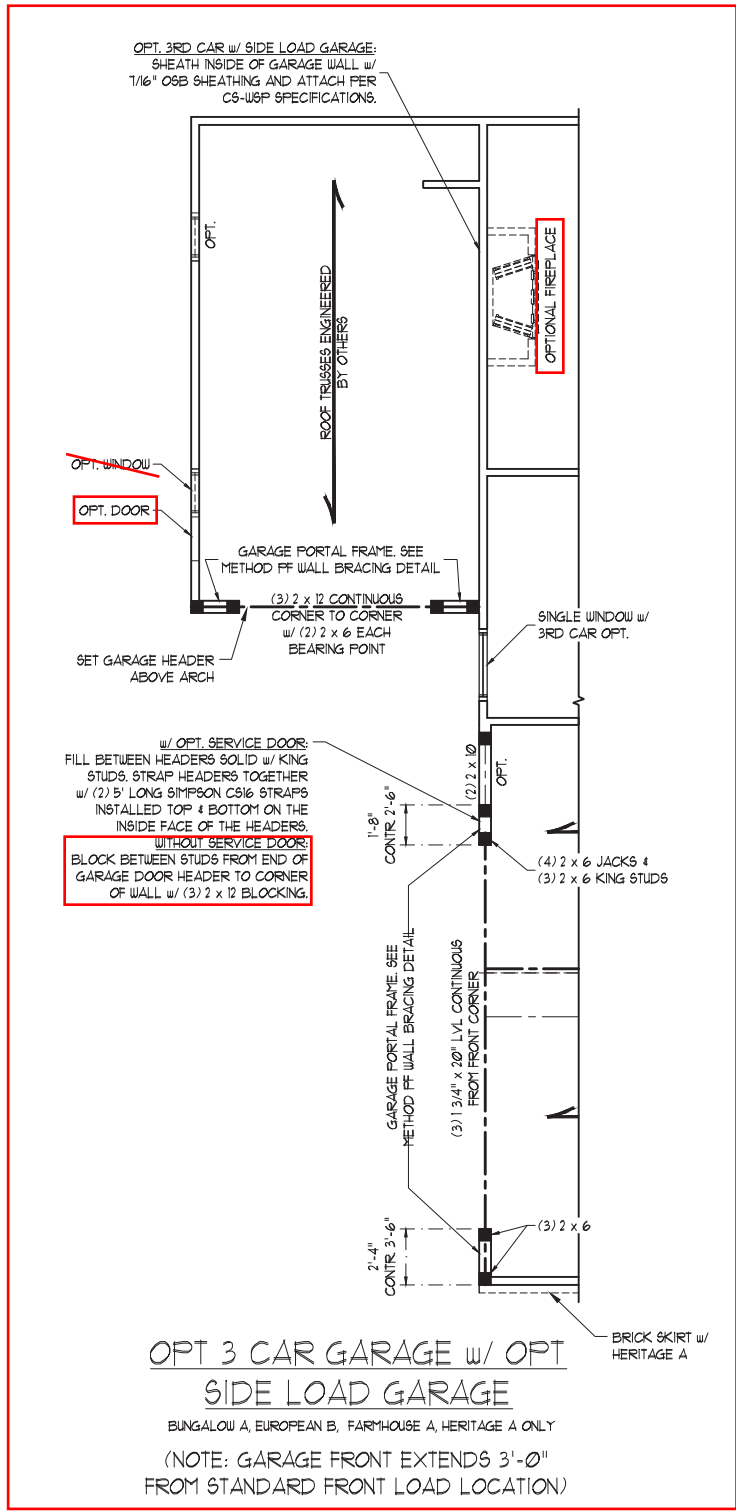
SHEET 27 OF 42
S-3b
SECOND FLOOR
FRAMING PLAN

SCALE NOTE:
LARGE FORMAT PRINTS ARE TO SCALE AS NOTED.
11" x 17" PRINTS ARE ONE HALF THE NOTED SCALE



**J.S. THOMPSON
ENGINEERING, INC**
606 WADE AVE., SUITE 104 RALEIGH, NC 27605
PHONE: (919) 789-9919 FAX: (919) 789-9921
N.C. LICENSE NO. C-1733

CHATHAM
HH HUNT HOMES

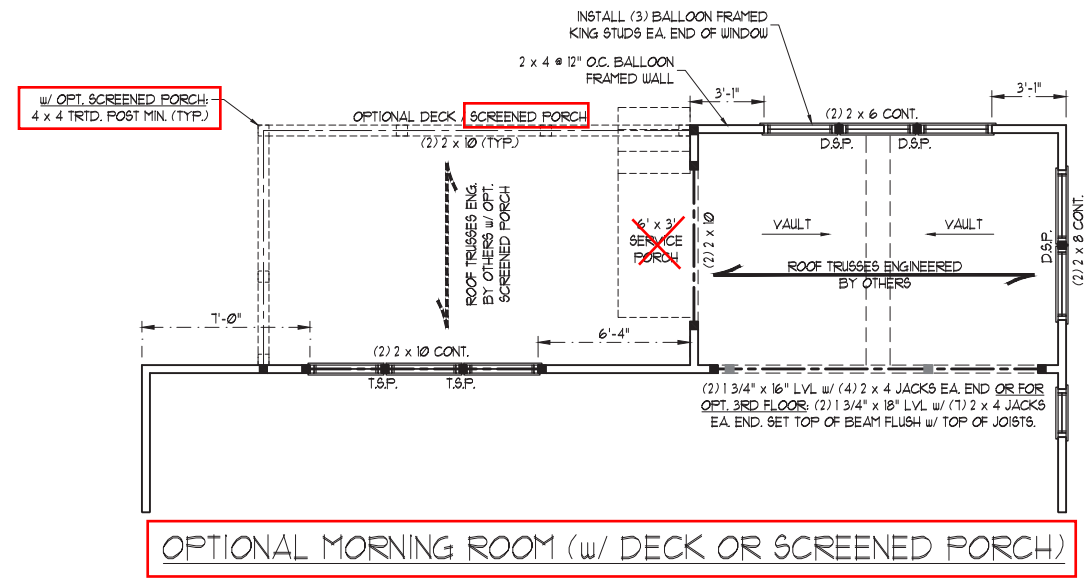


7/19/2022

DATE: JULY 19, 2022
SCALE: 1/4" = 1'-0"
DRAWN BY: HH HUNT HOMES
ENGINEERED BY: WFB

SHEET 28 OF 42
S-3c
SECOND FLOOR
FRAMING PLAN

SCALE NOTE:
 LARGE FORMAT PRINTS ARE TO SCALE AS NOTED.
 11" x 17" PRINTS ARE ONE HALF THE NOTED SCALE



J.S. THOMPSON ENGINEERING, INC
 606 WADE AVE., SUITE 104 RALEIGH, NC 27605
 PHONE: (919) 789-9919 FAX: (919) 789-9921
 N.C. LICENSE NO. C-1733

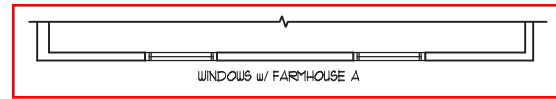
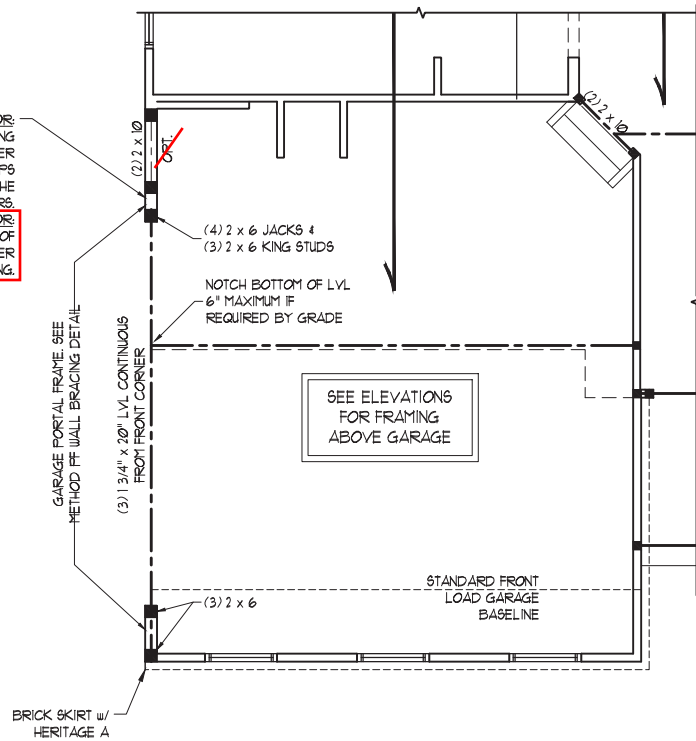
CHATHAM
 HH HUNT HOMES

DATE: JULY 19, 2022
 SCALE: 1/4" = 1'-0"
 DRAWN BY: HH HUNT HOMES
 ENGINEERED BY: WFB

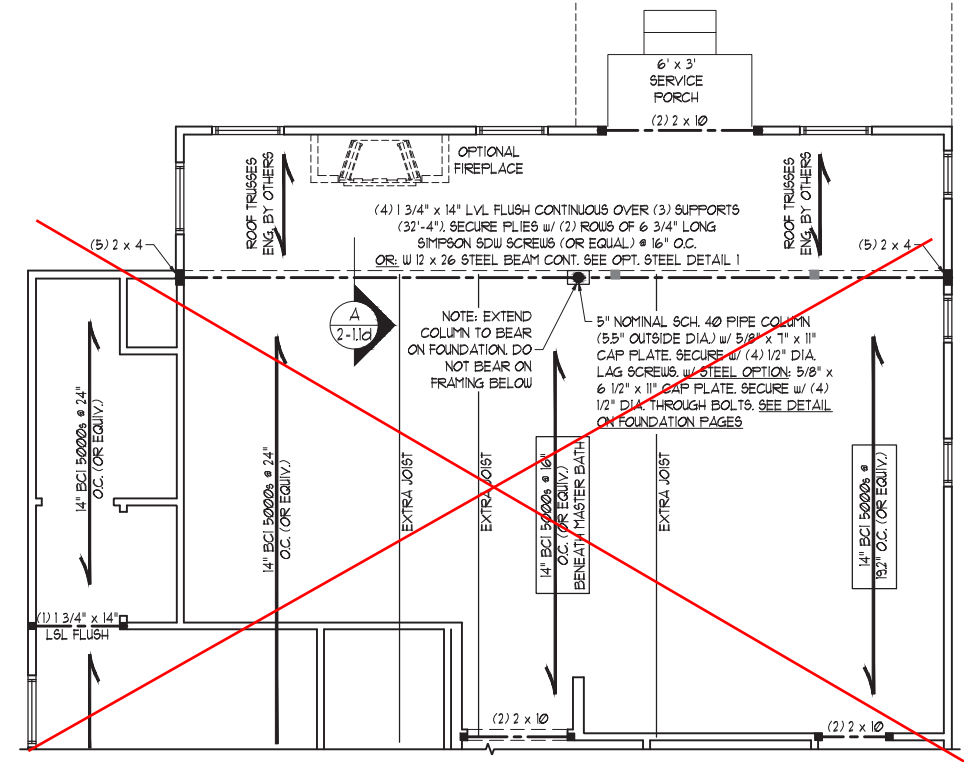
SHEET 29 OF 42
 S-3d
 SECOND FLOOR
 FRAMING PLAN

SCALE NOTE:
LARGE FORMAT PRINTS ARE TO SCALE AS NOTED.
OPTIONAL DECK, 11" x 11" PRINTS ARE ONE HALF THE NOTED SCALE

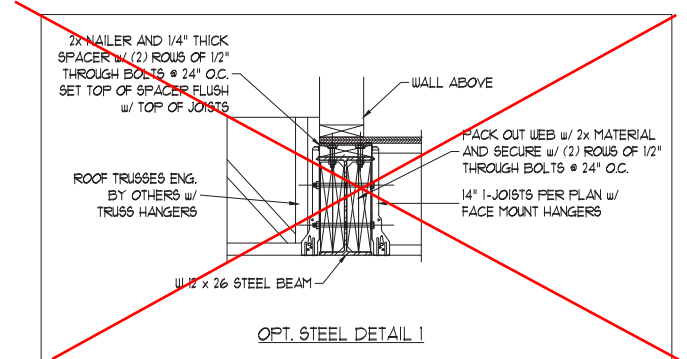
W/ OPT. SERVICE DOOR:
FILL BETWEEN HEADERS SOLID W/ KING STUDS STRAP HEADERS TOGETHER W/ (2) 5' LONG SIMPSON CS16 STRAPS INSTALLED TOP 4 BOTTOM ON THE INSIDE FACE OF THE HEADERS.
WITHOUT SERVICE DOOR:
BLOCK BETWEEN STUDS FROM END OF GARAGE DOOR HEADER TO CORNER OF WALL W/ (3) 2 x 12 BLOCKING.



OPTIONAL SIDELOAD GARAGE
BUNGALOW A, EUROPEAN B, FARMHOUSE A, HERITAGE A ONLY
(NOTE: GARAGE FRONT EXTENDS 3'-0" FROM STANDARD FRONT LOAD LOCATION)



OPTIONAL FAMILY EXTENSION/NOOK EXTENSION



7/19/2022

J.S. THOMPSON ENGINEERING, INC
606 WADE AVE., SUITE 104 RALEIGH, NC 27605
PHONE: (919) 789-9919 FAX: (919) 789-9921
N.C. LICENSE NO. C-1733

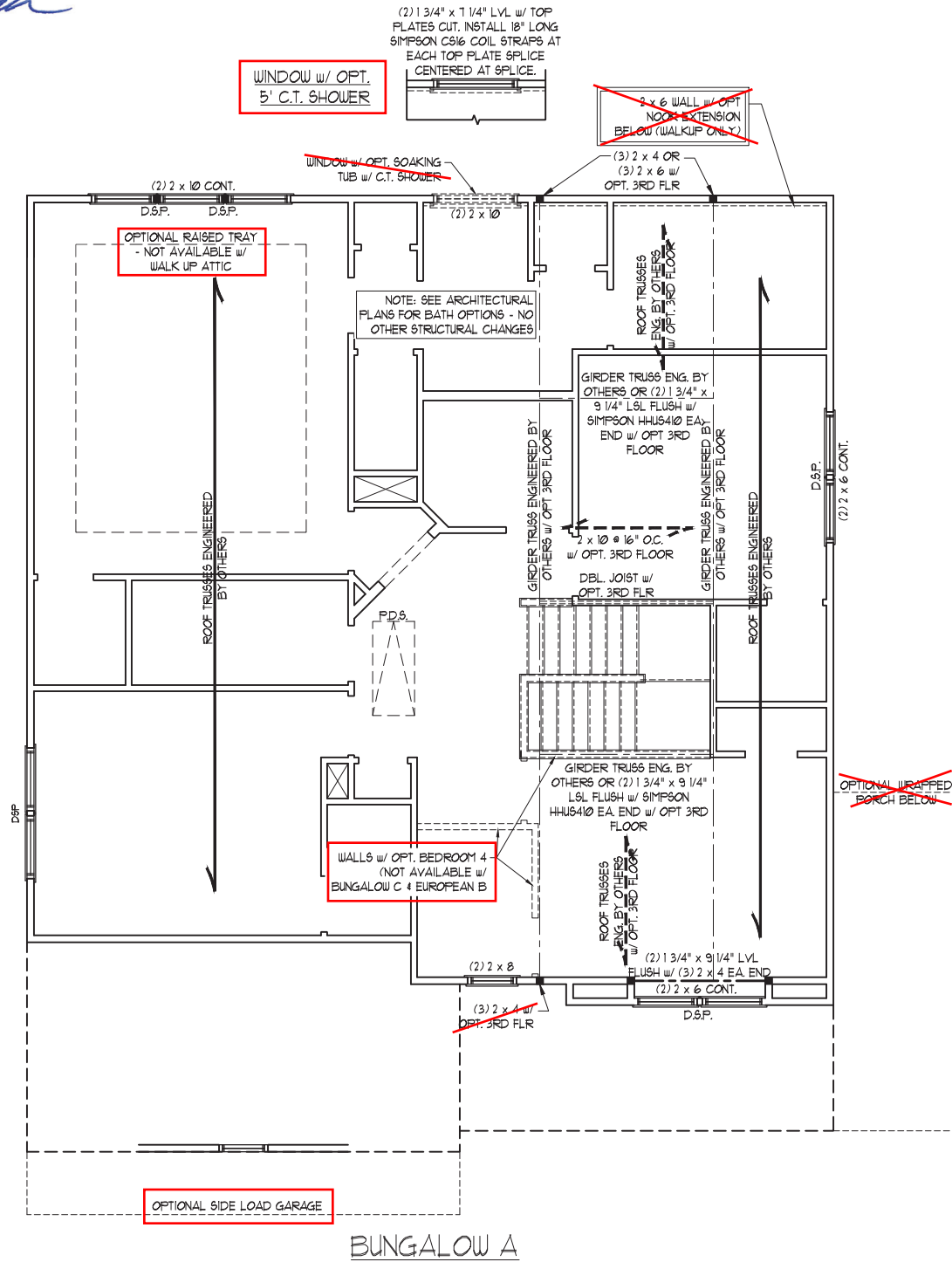
CHATHAM
HH HUNT HOMES

DATE: JULY 19, 2022
SCALE: 1/4" = 1'-0"
DRAWN BY: HH HUNT HOMES
ENGINEERED BY: WFB

SHEET 30 OF 42
S-3e
SECOND FLOOR
FRAMING PLAN



7/19/2022



SCALE NOTE:
LARGE FORMAT PRINTS ARE TO SCALE AS NOTED.
11\"/>

STRUCTURAL NOTES:

1. ALL FRAMING LUMBER TO BE #2 SFT (UNO).
2. ALL LOAD BEARING HEADERS TO BE (2) 2 x 6 (UNO).
3. WINDOW AND DOOR HEADERS TO BE SUPPORTED w/ (1) JACK STUD AND (1) KING STUD EA. END (UNO). SEE TABLE R602.15 FOR ADDITIONAL KING STUD REQUIREMENTS.
4. ALL 4 x 4 AND 6 x 6 POSTS TO BE INSTALLED WITH 100 LB CAPACITY UPLIFT CONNECTORS TOP AND BOTTOM (UNO).
5. SQUARES DENOTE POINT LOADS WHICH REQUIRE SOLID BLOCKING TO GIRDER OR FOUNDATION. SQUARES TO BE (2) STUDS (UNO).
6. REFER TO NOTES AND DETAIL SHEETS FOR ADDITIONAL STRUCTURAL INFORMATION.

D&P - DOUBLE STUD POCKET

BRACED WALL DESIGN NOTES:

1. BRACED WALL DESIGN PER SECTION R602.10 OF THE NCRC 2018 EDITION.
2. CS-WSP REFERS TO "CONTINUOUS SHEATHING - WOOD STRUCTURAL PANELS" CONTRACTOR IS TO INSTALL 7/16\"/>

NOTE:

1. PER SECTION R602.10.3.2 OF THE 2018 NCRC, THE AMOUNT OF BRACING ON THE SECOND FLOOR EXCEEDS THE AMOUNT REQUIRED FOR THE FIRST FLOOR AND NO BRACED WALL ANALYSIS IS REQUIRED.
2. SHEATH ALL EXTERIOR WALLS WITH 7/16\"/>

TABLE R602.15
MINIMUM NUMBER OF FULL HEIGHT STUDS
AT EACH END OF HEADERS IN EXTERIOR WALLS

HEADER SPAN (FEET)	MAXIMUM STUD SPACING (INCHES) (PER TABLE R602.3(5))	
	16	24
UP TO 3'	1	1
4'	2	1
8'	3	2
12'	5	3
16'	6	4

J.S. THOMPSON ENGINEERING, INC
606 WADE AVE., SUITE 104 RALEIGH, NC 27605
PHONE: (919) 789-9119 FAX: (919) 789-9221
N.C. LICENSE NO. C-1733

CHATHAM
HH HUNT HOMES

DATE: JULY 19, 2022

SCALE: 1/4\"/>

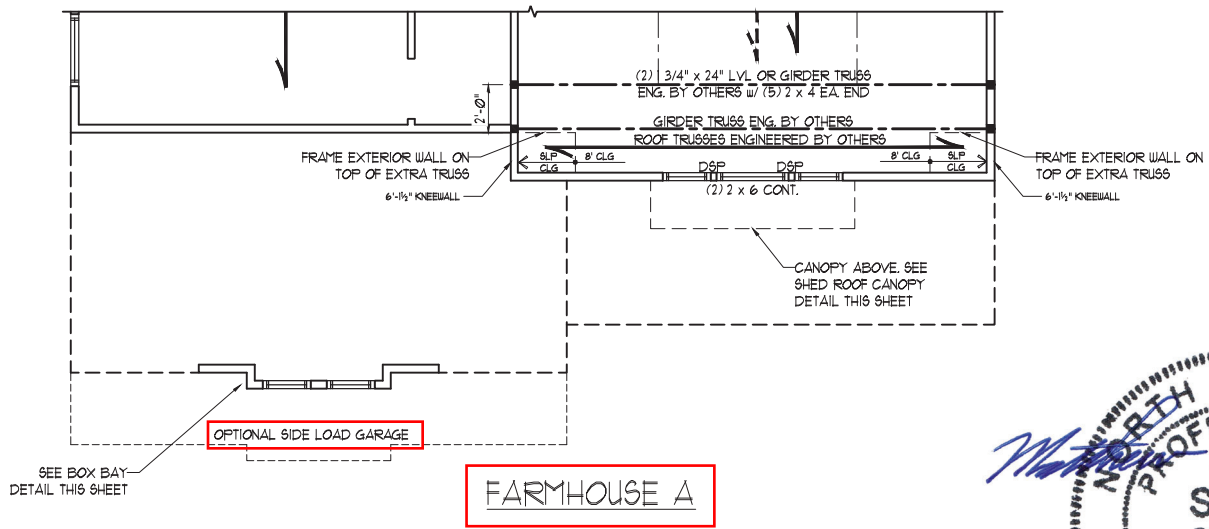
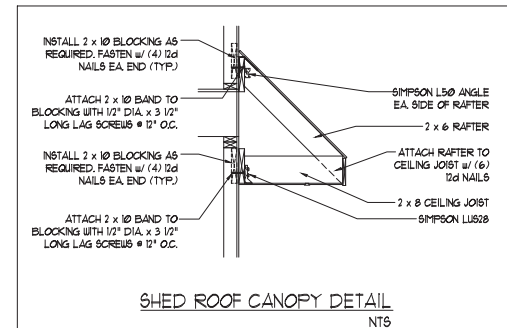
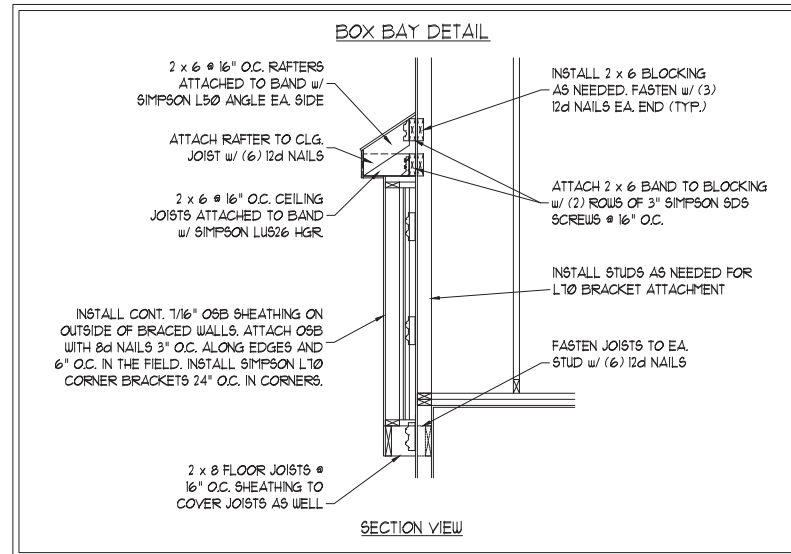
DRAWN BY: HH HUNT HOMES

ENGINEERED BY: WFB

SHEET 31 OF 42

S-4a
ATTIC FLOOR
FRAMING PLAN

SCALE NOTE:
 LARGE FORMAT PRINTS ARE TO SCALE AS NOTED.
 11" x 17" PRINTS ARE ONE HALF THE NOTED SCALE



Matthew G. Strother
 NORTH CAROLINA
 PROFESSIONAL
 SEAL
 33736
 ENGINEER
 MATTHEW G. STROTHER
 7/19/2022

**J.S. THOMPSON
 ENGINEERING, INC**
 606 WADE AVE., SUITE 104 RALEIGH, NC 27605
 PHONE: (919) 789-9919 FAX: (919) 789-9921
 N.C. LICENSE NO. C-1733

CHATHAM
 HH HUNT HOMES

DATE: JULY 19, 2022
 SCALE: 1/4" = 1'-0"
 DRAWN BY: HH HUNT HOMES
 ENGINEERED BY: WFB

SHEET 32 OF 42
 S-4b
 ATTIC FLOOR
 FRAMING PLAN

SCALE NOTE:
 LARGE FORMAT PRINTS ARE TO SCALE AS NOTED.
 11" x 17" PRINTS ARE ONE HALF THE NOTED SCALE

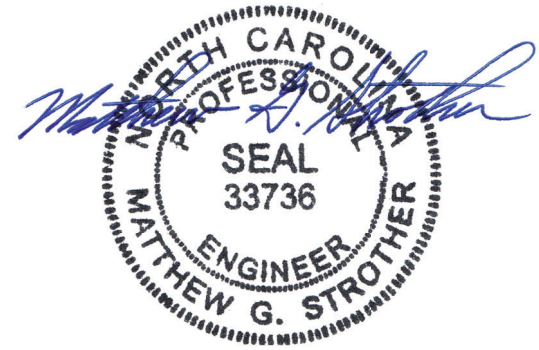
STRUCTURAL NOTES:

1. ALL FRAMING LUMBER TO BE #2 SFF (INO).
2. CIRCLES DENOTE (3) 2 x 4 POSTS FOR ROOF SUPPORT.
3. FRAME DORMER WALLS ON TOP OF DOUBLE OR TRIPLE RAFTERS.
4. HIP SPLICES ARE TO BE SPACED A MIN. OF 8'-0". FASTEN MEMBERS WITH THREE ROWS OF 12d NAILS @ 16" O.C. (TYP.)
5. STICK FRAME OVER-FRAMED ROOF SECTIONS W/ 2 x 8 RIDGES, 2 x 6 RAFTERS @ 16" O.C. AND FLAT 2 x 10 VALLEYS OR USE VALLEY TRUSSES.
6. FASTEN FLAT VALLEYS TO RAFTERS OR TRUSSES WITH SIMPSON H2.5A HURRICANE TIES @ 32" O.C. MAX. PASS HURRICANE TIES THROUGH NOTCH IN ROOF SHEATHING. EACH RAFTER IS TO BE FASTENED TO THE FLAT VALLEY WITH A MIN. OF (6) 12d TOE NAILS.
7. REFER TO SECTION R202.11 OF THE 2018 NRC FOR REQUIRED UPLIFT RESISTANCE AT RAFTERS AND TRUSSES.
8. REFER TO NOTES AND DETAIL SHEETS FOR ADDITIONAL STRUCTURAL INFORMATION.

NOTE: REFER TO ARCHITECTURAL DRAWINGS FOR ROOF PITCHES, PLATE HEIGHTS, DIMENSIONS, OVERHANG WIDTHS, AND ATTIC VENT CALCS.

**J.S. THOMPSON
 ENGINEERING, INC**
 606 WADE AVE., SUITE 104 RALEIGH, NC 27605
 PHONE: (919) 789-9919 FAX: (919) 789-9921
 N.C. LICENSE NO.: C-1733

CHATHAM
 HH HUNT HOMES

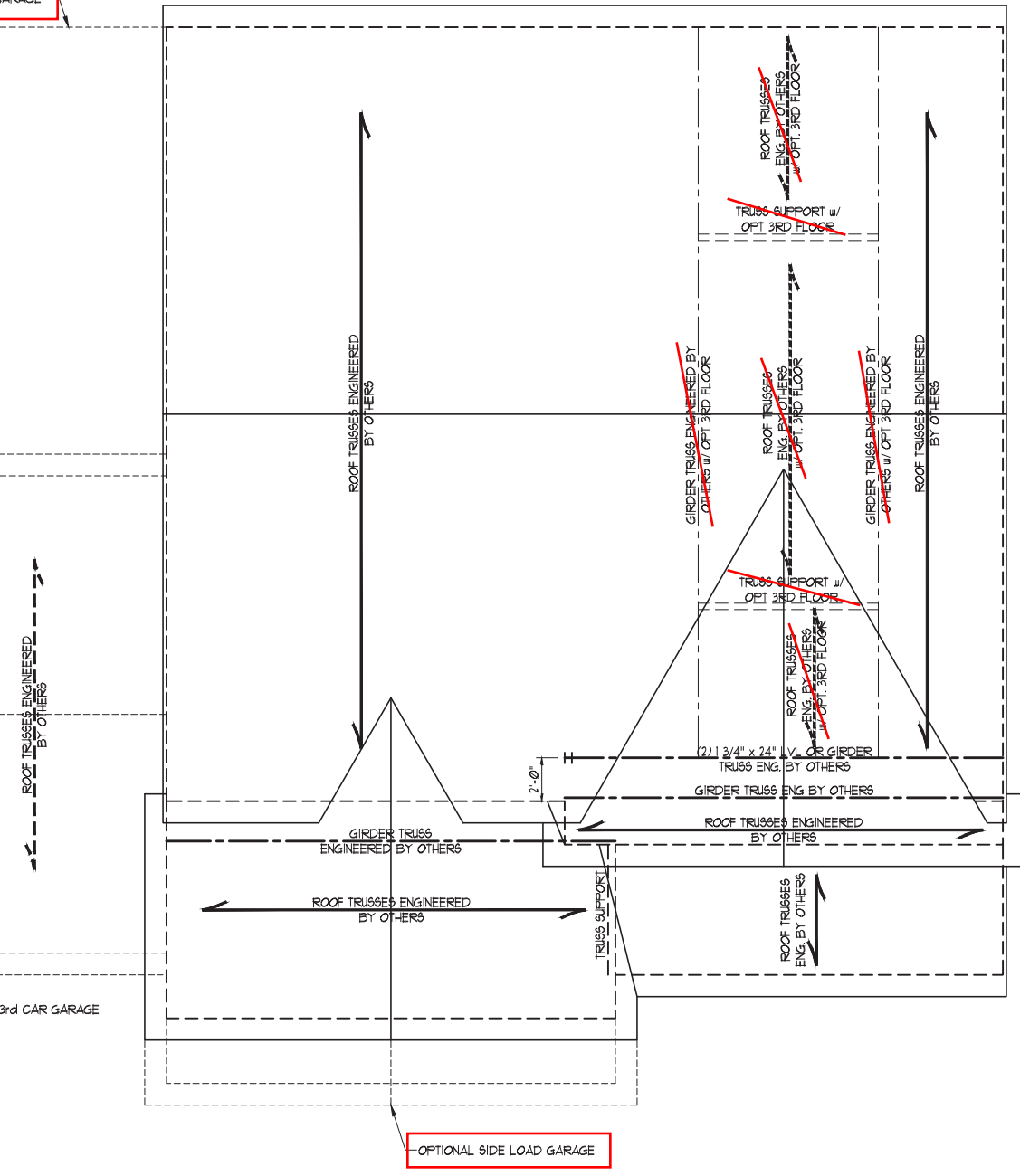


7/19/2022

DATE: JULY 19, 2022
SCALE: 1/4" = 1'-0"
DRAWN BY: HH HUNT HOMES
ENGINEERED BY: WFB

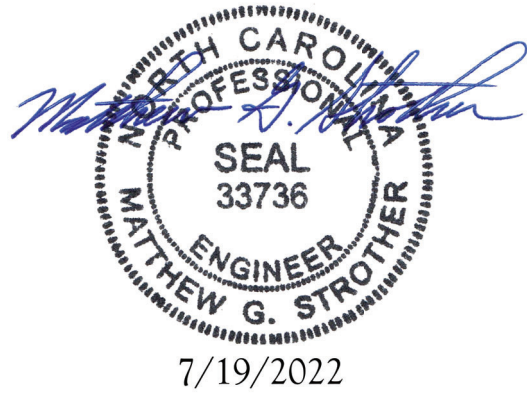
SHEET 39 OF 42
 S-6f
 ROOF FRAMING
 PLAN

LOCATION OF OPTIONAL 3rd CAR GARAGE w/ OPT. SIDE LOAD GARAGE



FARMHOUSE A

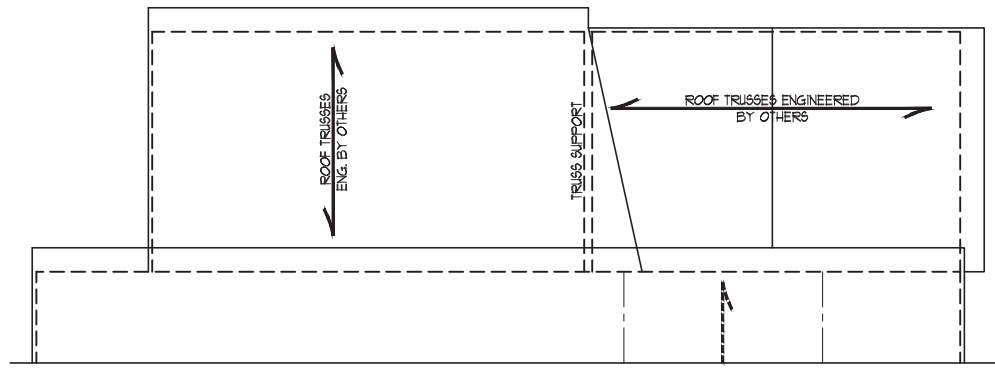
SCALE NOTE:
LARGE FORMAT PRINTS ARE TO SCALE AS NOTED.
11" x 17" PRINTS ARE ONE HALF THE NOTED SCALE



NOTE: REFER TO ARCHITECTURAL DRAWINGS FOR ROOF PITCHES, PLATE HEIGHTS, DIMENSIONS, OVERHANG WIDTHS, AND ATTIC VENT CALCS.

**J.S. THOMPSON
ENGINEERING, INC**
606 WADE AVE., SUITE 104 RALEIGH, NC 27605
PHONE: (919) 789-9919 FAX: (919) 789-9921
N.C. LICENSE NO. C-1733

CHATHAM
HH HUNT HOMES



OPTIONAL MORNING ROOM w/ SCREEN PORCH

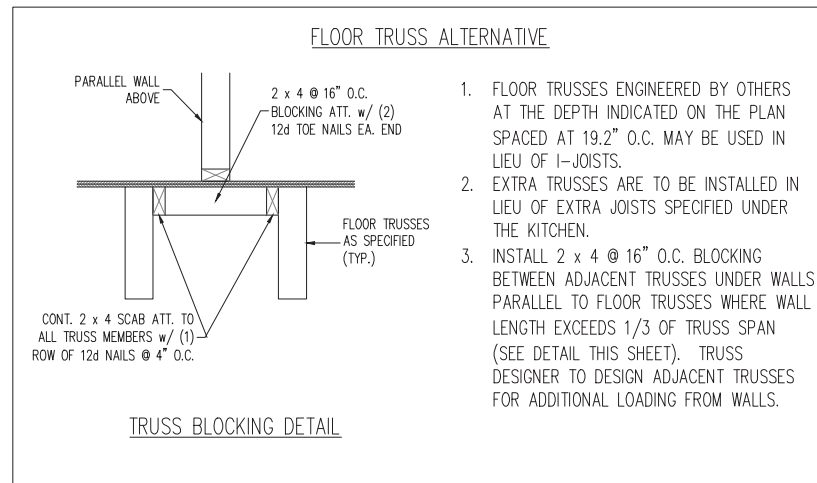
DATE: JULY 19, 2022
SCALE: 1/4" = 1'-0"
DRAWN BY: HH HUNT HOMES
ENGINEERED BY: WFB

SHEET: 41 OF 42
S-6h
ROOF FRAMING
PLAN

SCALE NOTE:
 LARGE FORMAT PRINTS ARE TO SCALE AS NOTED.
 11" x 17" PRINTS ARE ONE HALF THE NOTED SCALE

**J.S. THOMPSON
 ENGINEERING, INC**
 606 WADE AVE., SUITE 104 RALEIGH, NC 27605
 PHONE: (919) 789-9919 FAX: (919) 789-9921
 N.C. LICENSE NO. C-1733

CHATHAM
 HH HUNT HOMES



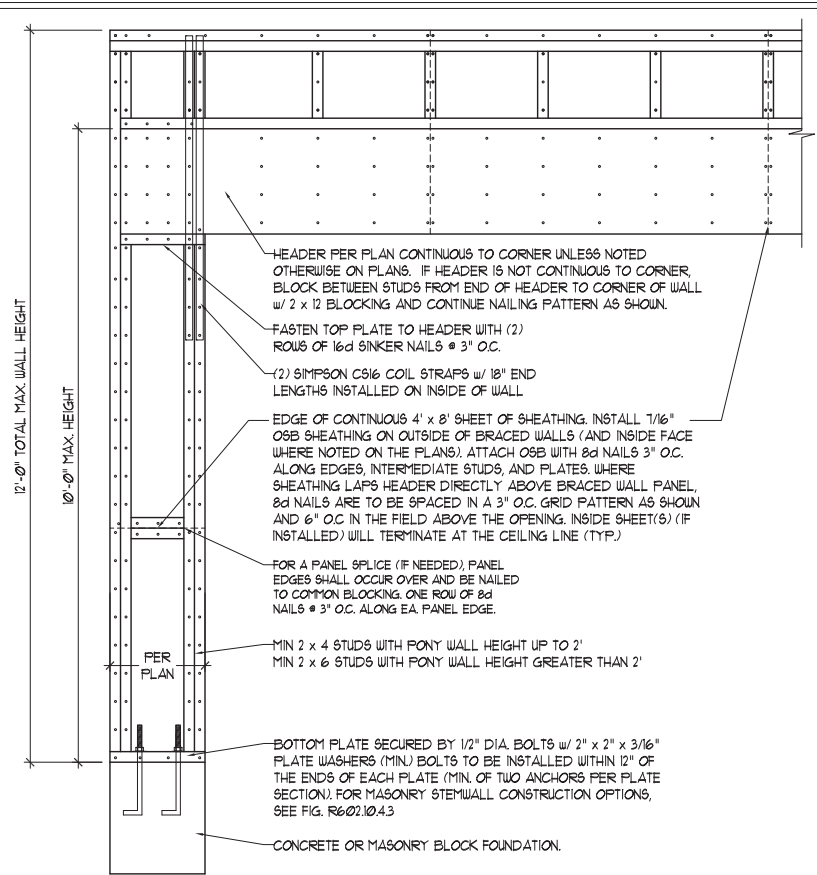
7/19/2022

DATE: JULY 19, 2022
 SCALE: 1/4" = 1'-0"
 DRAWN BY: HH HUNT HOMES
 ENGINEERED BY: WFB

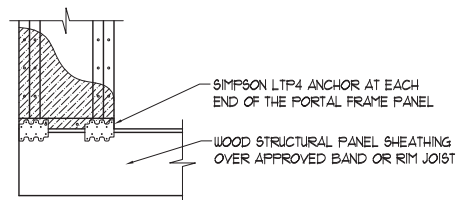
SHEET: 42 OF 42
D1
 FLOOR TRUSS
 ALTERNATIVE

GENERAL WALL BRACING NOTES:

1. WALL BRACING DESIGNED IN ACCORDANCE WITH CHAPTER 6 OF THE 2018 NC RESIDENTIAL BUILDING CODE (NRC). TABLES AND FIGURES REFERENCED ARE FROM THE 2018 NRC.
2. SEE THIS SHEET FOR GENERAL DETAILS. REFER TO THE 2018 NRC FOR ADDITIONAL INFORMATION AS NEEDED.
3. BRACED EXTERIOR WALLS SUPPORTING ROOF TRUSSES AND RAFTERS, INCLUDING STORIES BELOW THE TOP FLOOR, HAVE BEEN DESIGNED PER R602.3.5 (3). WALL SHEATHING AND FASTENERS HAVE BEEN DESIGNED TO RESIST COMBINED UPLIFT AND SHEAR FORCES IN ACCORDANCE WITH ACCEPTED ENGINEERING PRACTICE.
4. SEE STRUCTURAL SHEETS FOR BRACED WALL LOCATIONS, DIMENSIONS, HOLD DOWN TYPE AND LOCATIONS, BRACED WALL LINE KEY WITH WALL DESIGN SUMMARY OF REQUIRED/PROVIDED TOTALS FOR EACH WALL LINE AND ANY SPECIAL NOTES OR REQUIREMENTS.
5. ALL EXTERIOR WALLS ARE TO BE SHEATHED WITH CS-WSP IN ACCORDANCE WITH SECTION R602.10.3 UNLESS NOTED OTHERWISE.
6. ALL EXTERIOR AND INTERIOR WALLS TO HAVE 1/2" GYPSUM INSTALLED. WHEN NOT USING METHOD "GB", GYPSUM TO BE FASTENED PER TABLE R102.3.5. METHOD GB TO BE FASTENED PER TABLE R602.10.1.
7. CS-WSP REFERS TO THE "CONTINUOUS SHEATHING - WOOD STRUCTURAL PANELS" WALL BRACING METHOD. 7/16" OSB SHEATHING IS TO BE INSTALLED ON ALL EXTERIOR WALLS ATTACHED w/ 6d COMMON NAILS OR 8d (2 1/2" LONG x 0.13" DIAMETER) NAILS SPACED 6" O.C. ALONG PANEL EDGES AND 12" O.C. IN THE FIELD (UNO).
8. GB REFERS TO THE "GYPSUM BOARD" WALL BRACING METHOD. 1/2" (MIN) GYPSUM WALL BOARD IS TO BE INSTALLED ON BOTH SIDES OF THE BRACED WALL FASTENED WITH 1 1/4" SCREWS OR 1 5/8" NAILS SPACED 1" O.C. ALONG PANEL EDGES INCLUDING TOP AND BOTTOM PLATES AND INTERMEDIATE SUPPORTS (UNO). VERIFY ALL FASTENER OPTIONS FOR 1/2" AND 5/8" GYPSUM PRIOR TO CONSTRUCTION. FOR INTERIOR FASTENER OPTIONS SEE TABLE R102.3.5. FOR EXTERIOR FASTENER OPTIONS SEE TABLE R602.3(1). EXTERIOR GB TO BE INSTALLED VERTICALLY.
9. REQUIRED BRACED WALL LENGTH FOR EACH SIDE OF THE CIRCUMSCRIBED RECTANGLE ARE INTERPOLATED PER TABLE R602.10.3. METHOD CS-WSP CONTRIBUTES ITS ACTUAL LENGTH, METHOD GB CONTRIBUTES 5 ITS ACTUAL LENGTH, AND METHOD PF CONTRIBUTES 15 TIMES ITS ACTUAL LENGTH.

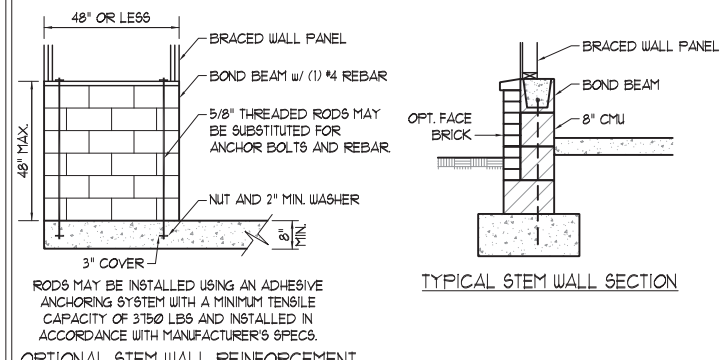
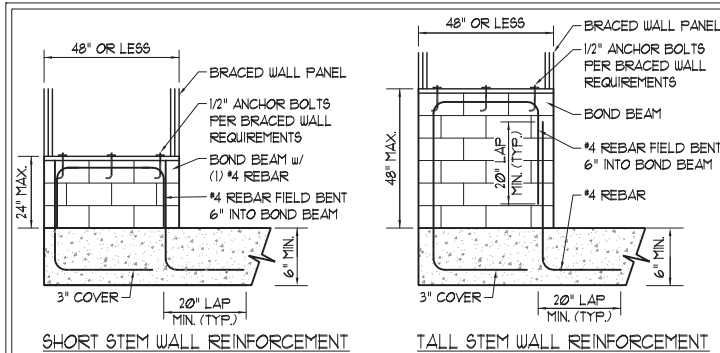


OVER CONCRETE OR MASONRY BLOCK FOUNDATION

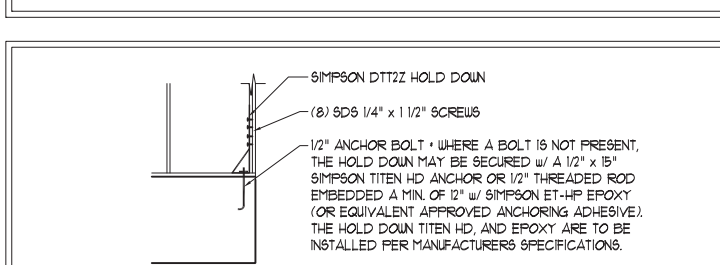
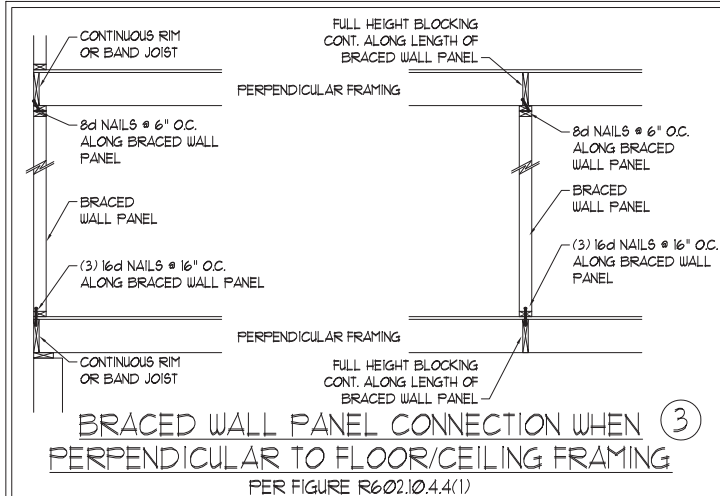


OVER RAISED WOOD FLOOR - FRAMING ANCHOR OPTION
 * APPLICABLE w/ GREATER THAN 12" KNEE WALL HEIGHTS
 IN CRAWL SPACE AND ABOVE FRAMED BASEMENT WALLS *

METHOD PF - PORTAL FRAME DETAIL ①

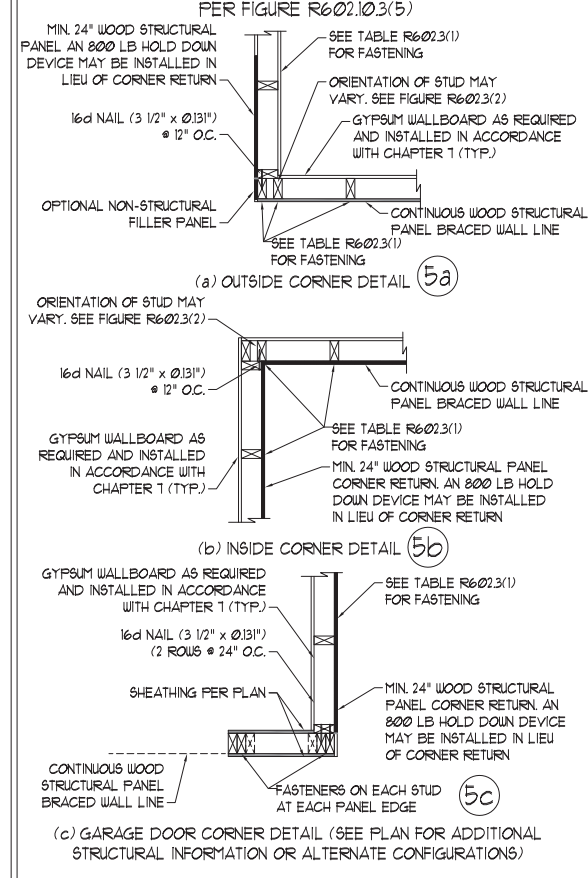


MASONRY STEM WALLS SUPPORTING BRACED WALL PANELS ②
 PER FIGURE R602.10.4.3
 NOTE: GROUT BOND BEAMS AND ALL CELLS WHICH CONTAIN REBAR, THREADED RODS AND ANCHOR BOLTS

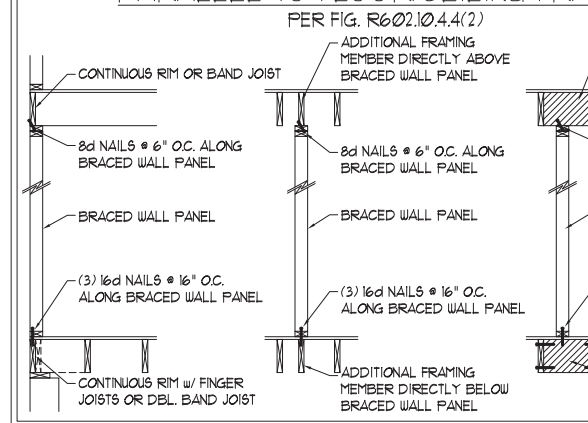


HOLD DOWN DETAIL FOR MASONRY FOUNDATION OR MONOLITHIC SLAB ④
 * APPLICABLE ONLY WHERE SPECIFIED ON PLAN *

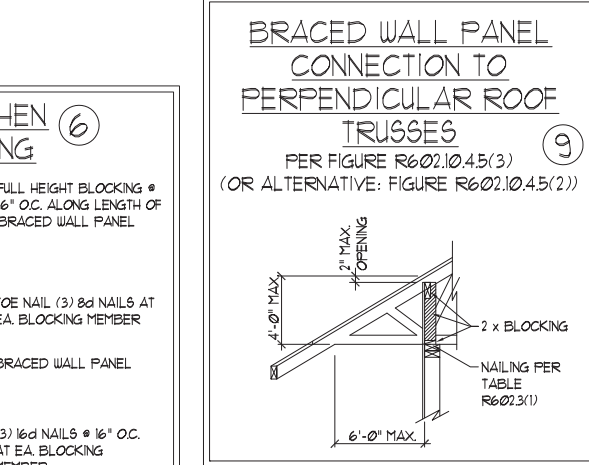
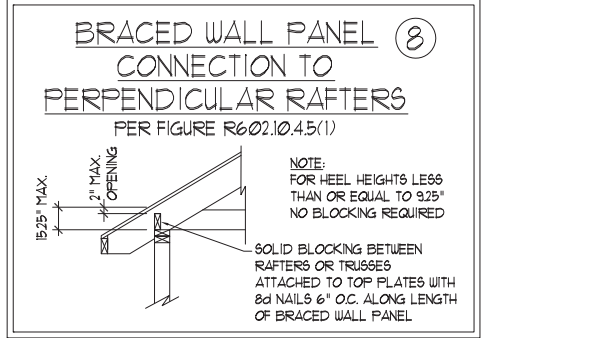
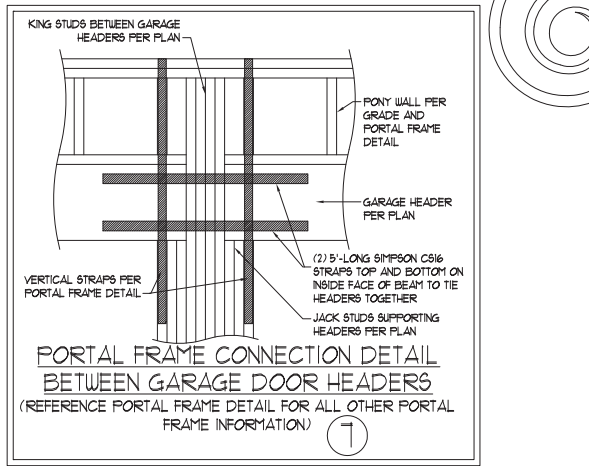
TYPICAL EXTERIOR CORNER FRAMING FOR CONTINUOUS SHEATHING ⑤



BRACED WALL PANEL CONNECTION WHEN PARALLEL TO FLOOR/CEILING FRAMING ⑥

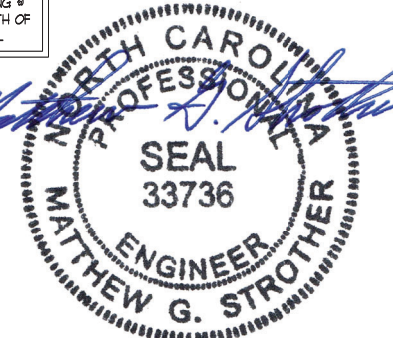


SCALE NOTE:
 LARGE FORMAT PRINTS ARE TO SCALE AS NOTED.
 11" x 17" PRINTS ARE ONE HALF THE NOTED SCALE



DATE: MAY 30, 2020
 SCALE: 1/4" = 1'-0"
 DRAWN BY: JST
 ENGINEERED BY: JST

BRACED WALL NOTES AND DETAILS AND PF DETAILS



7/19/2022

J.S. THOMPSON ENGINEERING, INC
 606 WADE AVE., SUITE 104 RALEIGH, NC 27605
 PHONE: (919) 789-9919 FAX: (919) 789-9921
 N.C. LICENSE NO.: C-1733

WALL BRACING NOTES AND DETAILS

This sealed page is to be used in conjunction with a full plan set engineered by J.S. Thompson Engineering, Inc. only. Use of this individual sealed page within architectural pages or shop drawings by others is a punishable offense under N.C. Statute § 89C-23

SCALE NOTE:
LARGE FORMAT PRINTS ARE TO SCALE AS NOTED.
11" x 17" PRINTS ARE ONE HALF THE NOTED SCALE

GENERAL NOTES

- ENGINEER'S SEAL APPLIES ONLY TO STRUCTURAL COMPONENTS INCLUDING ROOF RAFTERS, HIPS, VALLEYS, RIDGES, FLOORS, WALLS, BEAMS, HEADERS, COLUMNS, CANTILEVERS, OFFSET LOAD BEARING WALLS, PIERS, GIRDER SYSTEM AND FOOTING. ENGINEER'S SEAL DOES NOT CERTIFY DIMENSIONAL ACCURACY OF ARCHITECTURAL LAYOUT INCLUDING ROOF. ENGINEER'S SEAL DOES NOT APPLY TO I-JOIST OR FLOOR/ROOF TRUSS LAYOUT DESIGN AND ACCURACY.
- ALL CONSTRUCTION SHALL CONFORM TO THE LATEST REQUIREMENTS OF THE NORTH CAROLINA RESIDENTIAL CODE (NRC), 2018 EDITION, PLUS ALL LOCAL CODES AND REGULATIONS. THE STRUCTURAL ENGINEER IS NOT RESPONSIBLE FOR, AND WILL NOT HAVE CONTROL OF, CONSTRUCTION MEANS, METHODS, TECHNIQUES, SEQUENCES OR PROCEDURES, OR SAFETY PRECAUTIONS AND PROGRAMS IN CONNECTION WITH THE CONSTRUCTION WORK. NOR WILL THE ENGINEER BE RESPONSIBLE FOR THE CONTRACTORS FAILURE TO CARRY OUT THE CONSTRUCTION WORK IN ACCORDANCE WITH THE CONTRACT DOCUMENTS.
- STRUCTURAL DESIGN BASED ON THE PROVISIONS OF THE NRC, 2018 EDITION (R301.4 - R301.7)

DESIGN CRITERIA:	LIVE LOAD (PSF)	DEAD LOAD (PSF)	DEFLECTION (IN)
ATTIC WITH LIMITED STORAGE	20	10	L/240 (L/360 w/ BRITTLE FINISHES)
ATTIC WITHOUT STORAGE	10	10	L/360
DECKS	40	10	L/360
EXTERIOR BALCONIES	40	10	L/360
FIRE ESCAPES	40	10	L/360
HANDRAILS/GUARDRAILS	200	10	L/360
PASSENGER VEHICLE GARAGE	50	10	L/360
ROOMS OTHER THAN SLEEPING ROOM	40	10	L/360
SLEEPING ROOMS	30	10	L/360
STAIRS	40	10	L/360
WIND LOAD	(BASED ON TABLE R301.2(4) WIND ZONE AND EXPOSURE)		
GROUND SNOW LOAD: P _g	20 (PSF)		

- I-JOIST SYSTEMS DESIGNED WITH 12 PSF DEAD LOAD AND DEFLECTION (IN) OF L/480
- FLOOR TRUSS SYSTEMS DESIGNED WITH 15 PSF DEAD LOAD

- FOR 115 AND 120 MPH WIND ZONES, FOUNDATION ANCHORAGE IS TO COMPLY WITH SECTION R403.1.6 OF THE NRC, 2018 EDITION. FOR 130 MPH, 140 MPH, AND 150 MPH WIND ZONES, FOUNDATION ANCHORAGE IS TO COMPLY WITH SECTION 4504 OF THE NRC, 2018 EDITION.
- ENERGY EFFICIENCY COMPLIANCE AND INSULATION VALUES OF THE BUILDING TO BE IN ACCORDANCE WITH CHAPTER 11 OF THE NRC, 2018 EDITION.

FOOTING AND FOUNDATION NOTES

- FOUNDATION DESIGN BASED ON A MINIMUM ALLOWABLE BEARING CAPACITY OF 2000 PSF. CONTACT GEOTECHNICAL ENGINEER IF BEARING CAPACITY IS NOT ACHIEVED.
- FOR ALL CONCRETE SLABS AND FOOTINGS, THE AREA WITHIN THE PERIMETER OF THE BUILDING ENVELOPE SHALL HAVE ALL VEGETATION, TOP SOIL AND FOREIGN MATERIAL REMOVED. FILL MATERIAL SHALL BE FREE OF VEGETATION AND FOREIGN MATERIAL. THE FILL SHALL BE COMPACTED TO ASSURE UNIFORM SUPPORT OF THE SLAB, AND EXCEPT WHERE APPROVED, THE FILL DEPTHS SHALL NOT EXCEED 24" FOR CLEAN SAND OR GRAVEL. A 4" THICK BASED COURSE CONSISTING OF CLEAN GRADED SAND OR GRAVEL SHALL BE PLACED. A BASE COURSE IS NOT REQUIRED WHERE A CONCRETE SLAB IS INSTALLED ON WELL-DRAINED OR SAND-GRAVEL MIXTURE SOILS CLASSIFIED AS GROUP 1, ACCORDING TO THE UNITED SOIL CLASSIFICATION SYSTEM IN ACCORDANCE WITH TABLE R405.1 OF THE NRC, 2018 EDITION.
- PROPERLY DEWATER EXCAVATION PRIOR TO POURING CONCRETE WHEN BOTTOM OF CONCRETE SLAB IS AT OR BELOW WATER TABLE. IF APPLICABLE, 3/4" - 1" DEEP CONTROL JOINTS ARE TO BE SAWED WITHIN 4 TO 12 HOURS OF CONCRETE FINISHING AND WALL LOCATIONS HAVE BEEN MARKED. ADJUST WHERE NECESSARY.
- CONCRETE SHALL CONFORM TO SECTION R402.2 OF THE NRC, 2018 EDITION. CONCRETE REINFORCING STEEL TO BE ASTM A615 GRADE 60. WELDED WIRE FABRIC TO BE ASTM A185. MAINTAIN A MINIMUM CONCRETE COVER AROUND REINFORCING STEEL OF 3" IN FOOTINGS AND 1 1/2" IN SLABS. FOR POURED CONCRETE WALLS, CONCRETE COVER FOR REINFORCING STEEL MEASURED FROM THE INSIDE FACE OF THE WALL SHALL NOT BE LESS THAN 3/4". CONCRETE COVER FOR REINFORCING STEEL MEASURED FROM THE OUTSIDE FACE OF THE WALL SHALL NOT BE LESS THAN 1 1/2" FOR #5 BARS OR SMALLER, AND NOT LESS THAN 2" FOR #6 BARS OR LARGER.
- MASONRY UNITS TO CONFORM TO ACE 530/ASCE 5/TMS 402. MORTAR SHALL CONFORM TO ASTM C270.
- THE UNSUPPORTED HEIGHT OF MASONRY PIERS SHALL NOT EXCEED FOUR TIMES THEIR LEAST DIMENSION FOR UNFILLED HOLLOW CONCRETE MASONRY UNITS AND TEN TIMES THEIR LEAST DIMENSION FOR SOLID OR SOLID FILLED PIERS. PERS MAY BE FILLED SOLID WITH CONCRETE OR TYPE M OR S MORTAR. PIERS AND WALLS SHALL BE CAPPED WITH 8" OF SOLID MASONRY.
- THE CENTER OF EACH OF THE PIERS SHALL BEAR IN THE MIDDLE THIRD OF ITS RESPECTIVE FOOTING. EACH GIRDER SHALL BEAR IN THE MIDDLE THIRD OF THE PIERS.
- ALL CONCRETE AND MASONRY FOUNDATION WALLS ARE TO BE CONSTRUCTED IN ACCORDANCE WITH THE PROVISIONS OF SECTION R404 OF THE NRC, 2018 EDITION OR IN ACCORDANCE WITH ACI 318, ACI 332, NCMA TR68-A OR ACE 530/ASCE 5/TMS 402. MASONRY FOUNDATION WALLS ARE TO BE REINFORCED PER TABLE R404.1.1(1), R404.1.1(2), R404.1.1(3), OR R404.1.1(4) OF THE NRC, 2018 EDITION. CONCRETE FOUNDATION WALLS ARE TO BE REINFORCED PER TABLE R404.1.1(5) OF THE NRC, 2018 EDITION. STEP CONCRETE FOUNDATION WALLS TO 2 x 6 FRAMED WALLS AT 16" O.C. WHERE GRADE PERMITS (UNO).

This sealed page is to be used in conjunction with a full plan set engineered by J.S. Thompson Engineering, Inc. only. Use of this individual sealed page within architectural pages or shop drawings by others is a punishable offense under N.C. Statute § 89C-23

FRAMING NOTES

- ALL FRAMING LUMBER SHALL BE #2 SPF MINIMUM (F_b = 875 PSI, F_v = 375 PSI, E = 1600000 PSI) UNLESS NOTED OTHERWISE (UNO). ALL TREATED LUMBER SHALL BE #2 SYP MINIMUM (F_b = 975 PSI, F_v = 175 PSI, E = 1600000 PSI) UNLESS NOTED OTHERWISE (UNO).
- LAMINATED VENEER LUMBER (LVL) SHALL HAVE THE FOLLOWING MINIMUM PROPERTIES: F_b = 2600 PSI, F_v = 285 PSI, E = 1900000 PSI. LAMINATED STRAND LUMBER (LSL) SHALL HAVE THE FOLLOWING MINIMUM PROPERTIES: F_b = 2325 PSI, F_v = 310 PSI, E = 1550000 PSI. PARALLEL STRAND LUMBER (PSL) UP TO 7" DEPTH SHALL HAVE THE FOLLOWING MINIMUM PROPERTIES: F_c = 2500 PSI, E = 1800000 PSI. PARALLEL STRAND LUMBER (PSL) MORE THAN 7" DEPTH SHALL HAVE THE FOLLOWING MINIMUM PROPERTIES: F_c = 2900 PSI, E = 2000000 PSI. INSTALL ALL CONNECTIONS PER MANUFACTURER'S SPECIFICATIONS.
- STRUCTURAL STEEL SHALL CONFORM TO THE FOLLOWING ASTM SPECIFICATIONS

A. W AND WT SHAPES:	ASTM A992
B. CHANNELS AND ANGLES:	ASTM A36
C. PLATES AND BARS:	ASTM A36
D. HOLLOW STRUCTURAL SECTIONS:	ASTM A500 GRADE B
E. STEEL PIPE:	ASTM A53, GRADE B, TYPE E OR S
- STEEL BEAMS SHALL BE SUPPORTED AT EACH END WITH A MINIMUM BEARING LENGTH OF 3 1/2" AND FULL FLANGE WIDTH (UNO). PROVIDE SOLID BEARING FROM BEAM SUPPORT TO FOUNDATION. BEAMS SHALL BE ATTACHED AT THE BOTTOM FLANGE TO EACH SUPPORT AS FOLLOWS (UNO):

A. WOOD FRAMING	(2) 1/2" DIA. x 4" LONG LAG SCREWS
B. CONCRETE	(2) 1/2" DIA. x 4" WEDGE ANCHORS
C. MASONRY (FULLY GROUTED)	(2) 1/2" DIA. x 4" LONG SIMPSON TITEN HD ANCHORS

LATERAL SUPPORT IS CONSIDERED ADEQUATE PROVIDING THE JOISTS ARE TOE NAILED TO THE 2x NAILER ON TOP OF THE STEEL BEAM, AND THE 2x NAILER IS SECURED TO THE TOP OF THE STEEL BEAM w/ (2) ROWS OF SELF TAPPING SCREWS @ 16" O.C. OR (2) ROWS OF 1/2" DIAMETER BOLTS @ 16" O.C. IF 1/2" BOLTS ARE USED TO FASTEN THE NAILER, THE STEEL BEAM SHALL BE FABRICATED w/ (2) ROWS OF 9/16" DIAMETER HOLES @ 16" O.C.
- SQUARES DENOTE POINT LOADS WHICH REQUIRE SOLID BLOCKING TO GIRDER OR FOUNDATION. SHADED SQUARES DENOTE POINT LOADS FROM ABOVE WHICH REQUIRE SOLID BLOCKING TO SUPPORTING MEMBER BELOW.
- ALL LOAD BEARING HEADERS TO CONFORM TO TABLE R602.7(1) AND R602.7(2) OF THE NRC, 2018 EDITION OR BE (2) 2 x 6 WITH (1) JACK AND (1) KING STUD EACH END (UNO), WHICHEVER IS GREATER ALL HEADERS TO BE SECURED TO EACH JACK STUD WITH (4) 8d NAILS. ALL BEAMS TO BE SUPPORTED WITH (2) STUDS AT EACH BEARING POINT (UNO). INSTALL KING STUDS PER SECTION R602.7.5 OF THE NORTH CAROLINA RESIDENTIAL CODE, 2018 EDITION.
- ALL BEAMS, HEADERS, OR GIRDER TRUSSES PARALLEL TO WALL ARE TO BEAR FULLY ON (1) JACK OR (2) STUDS MINIMUM OR THE NUMBER OF JACKS OR STUDS NOTED. ALL BEAMS OR GIRDER TRUSSES PERPENDICULAR TO WALL AND SUPPORTED BY (3) STUDS OR LESS ARE TO HAVE 1 1/2" MINIMUM BEARING (UNO). ALL BEAMS OR GIRDER TRUSSES PERPENDICULAR TO WALL AND SUPPORTED BY MORE THAN (3) STUDS OR OTHER NOTED COLUMN ARE TO BEAR FULLY ON SUPPORT COLUMN FOR ENTIRE WALL DEPTH (UNO). BEAM ENDS THAT BUTT INTO ONE ANOTHER ARE TO EACH BEAR EQUAL LENGTHS (UNO).
- FLITCH BEAMS SHALL BE BOLTED TOGETHER USING 1/2" DIAMETER BOLTS (ASTM A307) WITH WASHERS PLACED AT THREADED END OF BOLT. BOLTS SHALL BE SPACED AT 24" CENTERS (MAXIMUM), AND STAGGERED AT TOP AND BOTTOM OF BEAM (2" EDGE DISTANCE), WITH (2) BOLTS LOCATED AT 6" FROM EACH END (UNO).
- ALL I-JOIST OR TRUSS LAYOUTS ARE TO BE IN COMPLIANCE WITH THE OVERALL DESIGN SPECIFIED ON THE PLANS. ALL DEVIATIONS ARE TO BE BROUGHT TO THE ATTENTION OF THE ENGINEER OF RECORD PRIOR TO INSTALLATION.
- BRACED WALL PANELS SHALL BE CONSTRUCTED ACCORDING TO THE NORTH CAROLINA RESIDENTIAL CODE 2018 EDITION WALL BRACING CRITERIA. THE AMOUNT, LENGTH, AND LOCATION OF BRACING SHALL COMPLY WITH ALL APPLICABLE TABLES IN SECTION R602.10.
- PROVIDE DOUBLE JOIST UNDER ALL WALLS PARALLEL TO FLOOR JOISTS. PROVIDE SUPPORT UNDER ALL WALLS PARALLEL TO FLOOR TRUSSES OR I-JOISTS PER MANUFACTURER'S SPECIFICATIONS. INSTALL BLOCKING BETWEEN JOISTS OR TRUSSES FOR POINT LOAD SUPPORT FOR ALL POINT LOADS ALONG OFFSET LOAD LINES.
- FOR ALL HEADERS SUPPORTING BRICK VENEER THAT ARE LESS THAN 8'-0" IN LENGTH, REST A 6" x 4" x 5/16" STEEL ANGLE WITH 6" MINIMUM EMBEDMENT AT SIDES FOR BRICK SUPPORT (U.N.O.). FOR ALL HEADERS 8'-0" AND GREATER IN LENGTH, BOLT A 6" x 4" x 5/16" STEEL ANGLE TO HEADER WITH 1/2" LAG SCREWS AT 12" O.C. STAGGERED FOR BRICK SUPPORT. FOR ALL BRICK SUPPORT AT ROOF LINES, BOLT A 6" x 4" x 5/16" STEEL ANGLE TO (2) 2 x 10 BLOCKING INSTALLED w/ (4) 12d NAILS EA. PLY BETWEEN WALL STUDS WITH (2) ROWS OF 1/2" LAG SCREWS AT 12" O.C. STAGGERED AND IN ACCORDANCE WITH SECTION R703.8.2.1 OF THE NRC, 2018 EDITION.
- FOR STICK FRAMED ROOFS: CIRCLES DENOTE (3) 2 x 4 POSTS FOR ROOF MEMBER SUPPORT. HIP SPLICES ARE TO BE SPACED A MINIMUM OF 8'-0". FASTEN MEMBERS WITH THREE ROWS OF 12d NAILS AT 16" O.C. FRAME DORMER WALLS ON TOP OF DOUBLE OR TRIPLE RAFTERS AS SHOWN (UNO).
- FOR TRUSSED ROOFS: FRAME DORMER WALLS ON TOP OF 2 x 4 LADDER FRAMING AT 24" O.C. BETWEEN ADJACENT ROOF TRUSSES. STICK FRAME OVER-FRAMED ROOF SECTIONS WITH 2 x 8 RIDGES, 2 x 6 RAFTERS AT 16" O.C. AND FLAT 2 x 10 VALLEYS (UNO).
- ALL 4 x 4 AND 6 x 6 POSTS TO BE INSTALLED WITH 700 LB CAPACITY UPLIFT CONNECTORS TOP AND BOTTOM (UNO). POSTS MAY BE SECURED USING ONE SIMPSON H6 OR L7S12 UPLIFT CONNECTOR FASTENED TO THE BAND AT THE BOTTOM AND THE BEAM AT THE TOP OF EACH POST. ONE 16" SECTION OF SIMPSON CS16 COIL STRAPPING WITH (8) 8d HDG NAILS AT EACH END MAY BE USED IN LIEU OF EACH TWIST STRAP IF DESIRED. FOR MASONRY OR CONCRETE FOUNDATION USE SIMPSON POST BASE.



J.S. THOMPSON ENGINEERING, INC
606 WADE AVE., SUITE 104 RALEIGH, NC 27605
PHONE: (919) 789-9919 FAX: (919) 789-9921
N.C. LICENSE NO.: C-1733

STANDARD STRUCTURAL NOTES

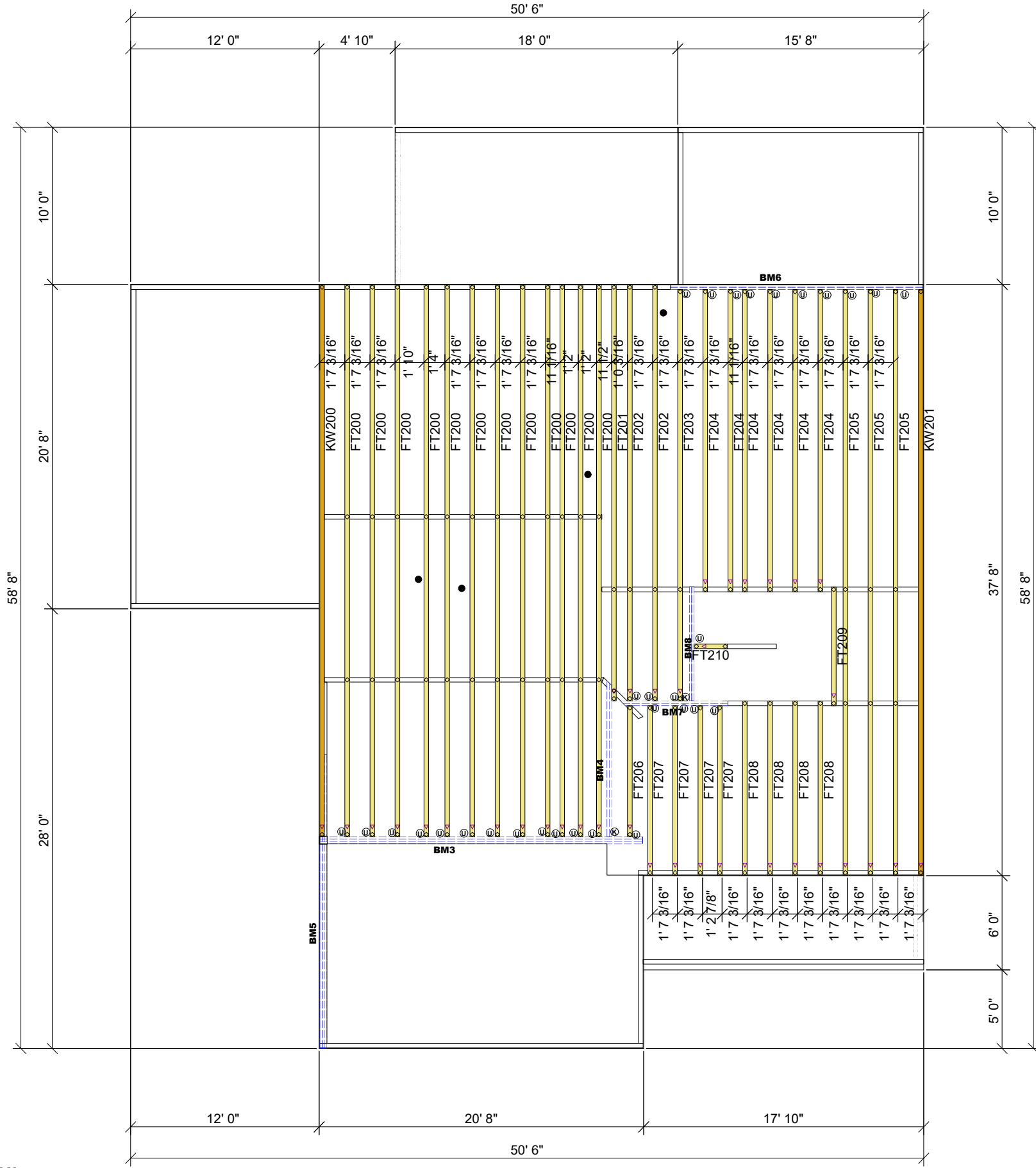
DATE: JUNE 2, 2022
DRAWN BY: JST
ENGINEERED BY: JST

SHEET:
STRUCTURAL NOTES

7/19/2022

THIS IS A TRUSS PLACEMENT DIAGRAM (TPD) ONLY; NOT AN ENGINEERED DOCUMENT. Trusses are designed as individual building components to be incorporated into the building design at the specification of the building designer. See individual truss design drawings (TDD's) for each truss design identified on the TPD. The Contractor is responsible for the temporary bracing of the roof and floor system, and requirements for the permanent restraint/bracing of truss systems may be met by following the methods outlined in ANSI-TPI 1-2014 - 2.3.3. The design of the support structure including but not limited to headers, beams, walls, and columns is also the responsibility of the building designer. For general guidance regarding installation and bracing, consult "Building Component Safety Information" (BCSI) available from the SBC Association (www.sbcassociation.com). It is the responsibility of the General Contractor to verify that the provided component layout matches the final intended construction plans, loading conditions, and use. If they do not, it is the responsibility of the General Contractor to notify UFP and provide plans containing the latest specifications and designs. UFP will not be responsible for plan changes by others after final approval of shop drawings, or for errors or modifications made on-site during construction. DO NOT CUT, NOTCH, DRILL, OR OTHERWISE "REPAIR" MANUFACTURED TRUSSES IN ANY WAY WITHOUT PRIOR WRITTEN AUTHORIZATION BY A LICENSED PROFESSIONAL DESIGNATED BY UFP. The Framing is responsible to verify all dimensions, including adjusting member spacing within tolerances to allow for the drop and rise of plumbing/HVAC, unless noted otherwise. Truss-to-wall connections, if shown, are for uplift only and do not consider lateral loads. All connectors on this project are to be installed per the connector manufacturer's specifications. All connectors shown that are not truss-to-truss are suggestions only and are to be verified by the Building Designer or Engineer of Record for suitability to this particular project. UFP accepts no responsibility for the specific application or suitability of any connector that is not truss-to-truss as they apply to this specific structure.

PLACEMENT PLAN



● Avoid Plumbing Drops

PlotID	Length	Product	Piles	Net Qty	Fab Type
BM4	10' 0"	1 3/4" x 14" 2.0E Microllam® LVL	2	2	MFD
BM7	8' 0"	1 3/4" x 14" 2.0E Microllam® LVL	2	2	MFD
BM8	8' 0"	1 3/4" x 14" 2.0E Microllam® LVL	2	2	MFD
BM6	18' 0"	1 3/4" x 16" 2.0E Microllam® LVL	2	2	MFD
BM5	20' 0"	1 3/4" x 20" 2.0E Microllam® LVL	3	3	MFD
BM3	22' 0"	1 3/4" x 24" 2.0E Microllam® LVL	3	3	MFD

(K)	HGUS414	2
(U)	HHUS410	31

△ INDICATES LEFT END OF TRUSS SCALE: N.T.S

ROOF AREA: 3290.22 ft² sqft **RIDGE LINE:** 100.99 ft **VALLEY LINES:** 76.32 ft **HIP LINES:** 0 ft **THESE VALUES ARE APPROXIMATE ONLY**

REVISIONS		DSN
DATE	DESCRIPTION	
-	-	-
-	-	-
-	-	-
-	-	-
-	-	-
-	-	-

CHATHAM FRMH A 2ND FL OW

HH HUNT



UFP SITE BUILT
A UFP INDUSTRIES COMPANY

Burlington, NC
Chesapeake, VA
Clinton, NC
Conway, SC
Jefferson, GA

Locust, NC
Liberty, NC
Ooltewah, TN
Pearisburg, VA
Stanfield, NC

Customer Service (800) 476-9356

DESIGNER JNN
LAYOUT DATE 4/10/24
ARCH DATE -
STRUC DATE -
JOB #: MASTER

THIS IS AN ENGINEERED WOOD PRODUCT (EWP) MEMBER PLACEMENT DIAGRAM ONLY; NOT AN ENGINEERED DOCUMENT. EWP members are designed as individual building components to be incorporated into the building design at the specification of the building designer. The Contractor is responsible for the temporary bracing of the floor system, and the building designer is responsible for the permanent bracing and blocking of the floor system and the overall structure. The design of the support structure including but not limited to headers, beams, walls, and columns is also the responsibility of the building designer. It is the responsibility of the General Contractor to verify that the provided layout matches the final intended construction plans, loading conditions, and use. If they do not, it is the responsibility of the General Contractor to notify UFP and provide plans containing the latest specifications and designs. UFP will not be responsible for plan changes by others after final approval of shop drawings, or for errors or modifications made on-site during construction. DO NOT CUT, NOTCH, DRILL, OR OTHERWISE "REPAIR" EWP MEMBERS IN ANY WAY WITHOUT PRIOR WRITTEN AUTHORIZATION BY A LICENSED PROFESSIONAL DESIGNATED BY UFP. The Framing is responsible to verify all dimensions, including adjusting member spacing within tolerances to allow for the drop and rise of plumbing/HVAC, unless noted otherwise. All connectors on this project are to be installed per the connector manufacturer's specifications. All connectors shown that are not joist to joist are suggestions only and are to be verified by the Building Designer or Engineer of Record for suitability for the specific application or suitability of any connector that is not joist to joist as they apply to this specific structure.

Products						Connector Summary			
Fab Type	Net Qty	Plies	Product	Length	PlotID	Product	Manuf	Qty	PlotID
MFD	11	1	11 7/8" TJI@ 210	27' 0"	J1	IUS2.06/11.88	Simpson	12	H1
MFD	10	1	11 7/8" TJI@ 210	26' 0"	J2				
MFD	9	1	11 7/8" TJI@ 210	22' 0"	J3				
MFD	1	1	11 7/8" TJI@ 210	19' 0"	J4				
MFD	1	1	11 7/8" TJI@ 210	16' 0"	J5				
MFD	2	1	11 7/8" TJI@ 210	15' 0"	J6				
MFD	3	1	11 7/8" TJI@ 210	12' 0"	J7				
MFD	4	1	11 7/8" TJI@ 210	11' 0"	J8				
MFD	2	1	11 7/8" TJI@ 210	8' 0"	J9				
MFD	2	2	11 7/8" TJI@ 210	8' 0"	J10				
MFD	11	1	1 1/8" x 11 7/8" TJI@ Rim Board	16' 0"	RIM-1				
MFD	26	1	11 7/8" TJI@ 210	2' 0"	Bk1				

GENERAL NOTES:

- 1) TOP CHORD OF JOISTS ARE PAINTED RED AT NUMBERED END. PLACE PAINTED END AS NOTED ON PLAN.
- 2) FOLLOW SPECIAL SPACING AND LOCATION DIMENSIONS FOR EXTRAS OR SHIFTED JOISTS AS SHOWN ON PLAN.
- 3) ALL INTERIOR WALL PLATES MUST BE LEVEL WITH OUTSIDE WALL TOP PLATES.
- 4) DO NOT STACK CONSTRUCTION LOADS ON UN-BRACED JOISTS.
- 5) PROVIDE SOLID SUPPORT BELOW ALL BEAM AND HEADER BEARING POINTS IN WALL AND JOIST SPACES CONTINUOUS DOWN TO THE FOUNDATION.
- 6) LOCATE CRIPPLE STUDS IN JOIST SPACE DIRECTLY BELOW HEADER JACKS AT ALL FIRST FLOOR EXTERIOR DOOR LOCATIONS.
- 7) INSTALL NAILS IN ALL HOLES PROVIDED IN JOIST HANGERS EXCEPT AT BOTTOM CHORD SEAT. PLACE A DAB OF GLUE IN THE HANGER SEAT BEFORE SETTING JOISTS.
- 8) IMPORTANT NOTE! NO STRUCTURAL ANALYSIS OF CONVENTIONAL HEADERS HAS BEEN CONDUCTED IF NOT NOTED. THEY ARE CONSIDERED TO BE ADEQUATE TO SUPPORT THE APPLIED LOADS.

PLAN LEGEND

*INDICATES BEAM ABOVE TOP PLATE (FLUSH WITH FLOOR SYSTEM)

1B-, 2B-

INDICATES BEAM BELOW TOP PLATE (DROPPED BELOW FLOOR SYSTEM)

H-, 1H-, GDH-

*BEAMS MAY PROTRUDE ABOVE OR BELOW DECKING OR TOP PLATE RESPECTIVELY. REFER TO DETAIL IF BEAM IS A DIFFERENT DEPTH THAN FLOOR SYSTEM

SINGLE PLY BEAM (ADD LINE FOR EACH ADDITIONAL PLY)

SHIFT JOIST TO MISS PLUMBING, ALIGN WITH WALL OR SUPPORT FURNITURE

A JOIST ADDED TO THE LAYOUT IN ADDITION TO THE ON CENTER JOISTS

TWO JOISTS SIDE BY SIDE (ONLY ASSEMBLED IF NOTED)

ALL DIMENSIONS TO CENTERLINE UNLESS OTHERWISE NOTED

Avoid Plumbing Drops

FIELD LOCATE PLUMBING DROPS/CAN LIGHTS, ETC... PRIOR TO JOIST SECUREMENT TO AVOID INTERFERENCE.

LAYOUT FOR 19.2" O/C

9= 172-13/16"	1= 19-3/16"
10= 192"	2= 38-3/8"
11= 211-3/16"	3= 57-5/8"
12= 230-3/8"	4= 76-13/16"
13= 249-13/16"	5= 96"
14= 268-13/16"	6= 115-3/16"
15= 288"	7= 134-3/8"
	8= 153-5/8"

FRAMER NOTE

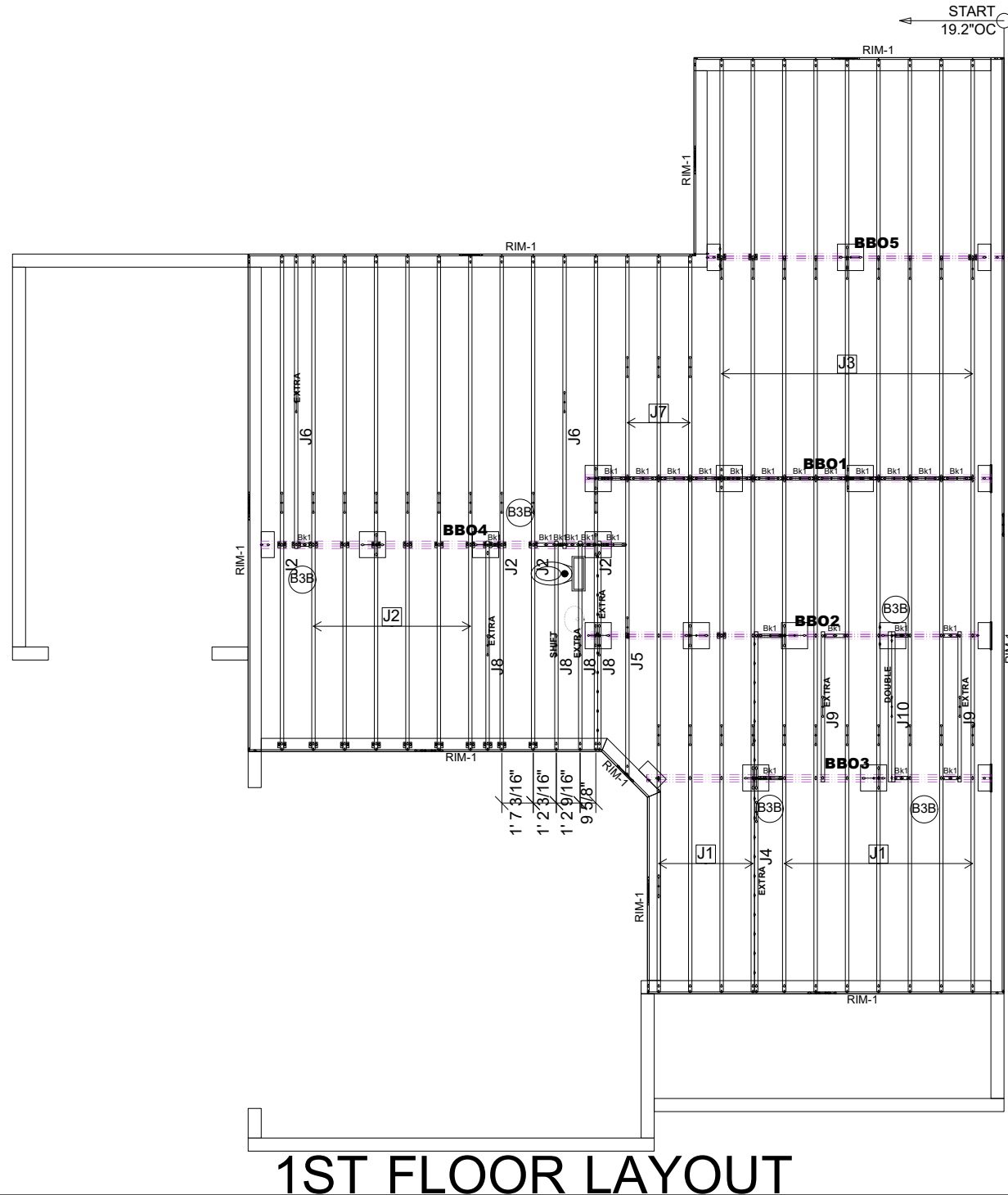
1. GLUE AND NAIL PLYWOOD SUBFLOOR TO BEAMS AND GIRDERS AT 6" O/C WHERE NO WALL IS ABOVE.
2. FILL HANGER SEAT WITH GLUE BEFORE SETTING JOIST IN HANGER. FILL ROUND HOLES WITH NAILS.

CRITICAL !!

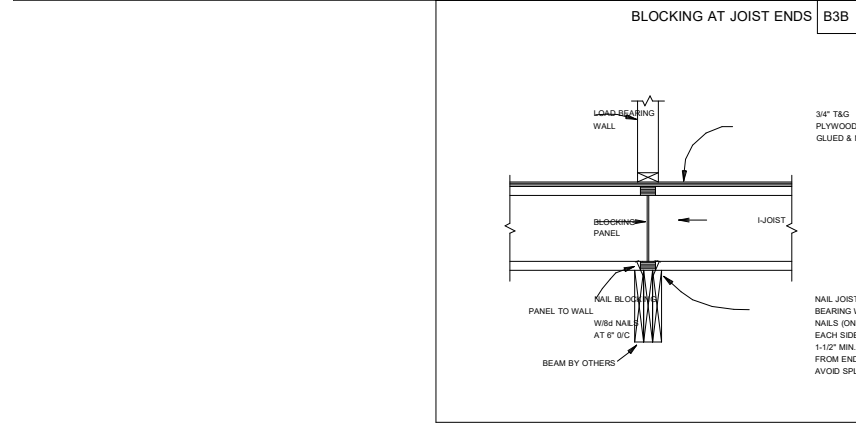
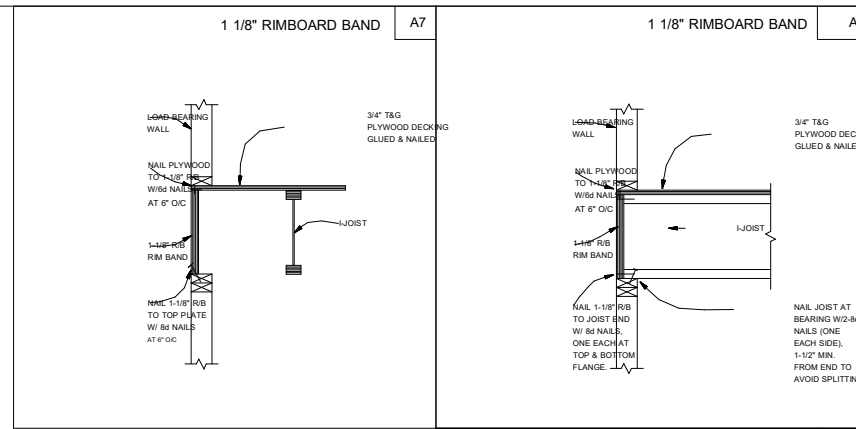
INSTALL 2X4 SQUASH BLOCKS IN FLOOR TRUSS SPACE BELOW ALL EXTERIOR DOOR HEADER JACKS. CUT 1/16" TALLER THAN TRUSS.

FIELD VERIFY DIMENSIONS TO JOISTS LOCATED UNDER WALLS!!

FLOOR PLACEMENT PLAN



1ST FLOOR LAYOUT



UFP SITE BUILT
A UFP INDUSTRIES COMPANY

Burlington, NC
Chesapeake, VA
Clinton, NC
Conway, SC
Jefferson, GA
Locust, NC
Liberty, NC
Ooltewah, TN
Pearisburg, VA
Stamfield, NC

Customer Service (800) 476-9356



This drawing is property of UFP Site Built, LLC. Any unauthorized use of this document without written permission is prohibited. UFP relinquishes ownership of delivered product upon delivery. Owner of product must obtain UFP's authorization prior to any alteration or modification of product. UFP will not be held responsible for any unauthorized modifications done or costs incurred without prior written authorization from UFP.

HH HUNT OF RALEIGH

MAGNOLIA ACRES LOT 8

CHATHAM FARMHOUSE

FUQUAY VARINA, NC

REVISIONS	DATE	DESCRIPTION	DSN

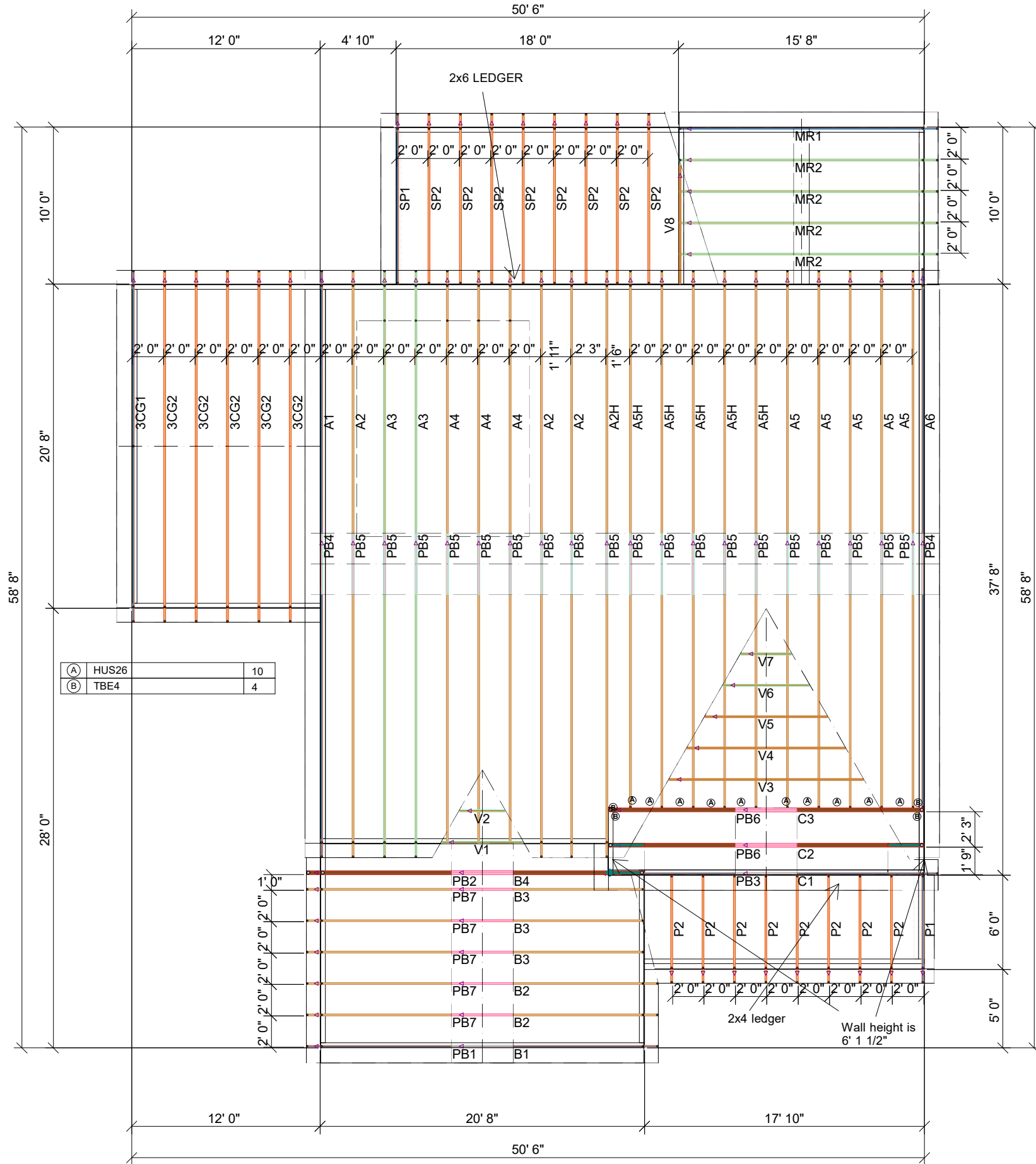
DESIGNER MM4
LAYOUT DATE 3/29/2024
ARCH DATE 3/27/2024
STRUC DATE 7/19/2022

JOB #: 24032322F1

SCALE: 1/8"=1'

THIS IS A TRUSS PLACEMENT DIAGRAM (TPD) ONLY; NOT AN ENGINEERED DOCUMENT. Trusses are designed as individual building components to be incorporated into the building design at the specification of the building designer. See individual truss design drawings (TDD's) for each truss design identified on the TPD. The Contractor is responsible for the temporary bracing of the roof and floor system, and requirements for the permanent restraint/bracing of truss systems may be met by following the methods outlined in ANSI-TPI 1-2014 - 2.3.3. The design of the support structure including but not limited to headers, beams, walls, and columns is also the responsibility of the building designer. For general guidance regarding installation and bracing, consult "Building Component Safety Information" (BCSI) available from the SBC Association (www.sbcassociation.com). It is the responsibility of the General Contractor to verify that the provided component layout matches the final intended construction plans, loading conditions, and use. If they do not, it is the responsibility of the General Contractor to notify UFP and provide plans containing the latest specifications and designs. UFP will not be responsible for plan changes by others after final approval of shop drawings, or for errors or modifications made on-site during construction. DO NOT CUT, NOTCH, DRILL, OR OTHERWISE "REPAIR" MANUFACTURED TRUSSES IN ANY WAY WITHOUT PRIOR WRITTEN AUTHORIZATION BY A LICENSED PROFESSIONAL DESIGNATED BY UFP. The Framing is responsible to verify all dimensions, including adjusting member spacing within tolerances to allow for the drop and rise of plumbing/HVAC, unless noted otherwise. Truss-to-wall connections, if shown, are for uplift only and do not consider lateral loads. All connectors on this project are to be installed per the connector manufacturer's specifications. All connectors shown that are not truss-to-truss are suggestions only and are to be verified by the Building Designer or Engineer of Record for suitability to this particular project. UFP accepts no responsibility for the specific application or suitability of any connector that is not truss-to-truss as they apply to this specific structure.

PLACEMENT PLAN



△ INDICATES LEFT END OF TRUSS SCALE: N.T.S

ROOF AREA: 3290.22 ft ² sqft	RIDGE LINE: 100.99 ft	VALLEY LINES: 76.32 ft	HIP LINES: 0 ft	THESE VALUES ARE APPROXIMATE ONLY
--	------------------------------	-------------------------------	------------------------	-----------------------------------

CHATHAM FRMH A RF

HH HUNT

DATE	REVISIONS	DESCRIPTION	DSN

DESIGNER JNN
 LAYOUT DATE 4/10/24
 ARCH DATE -
 STRUC DATE -

JOB #: MASTER

This drawing is property of UFP Site Built, LLC. Any unauthorized use of this document without written permission is prohibited. UFP relinquishes ownership of delivered product upon delivery. Owner of product must obtain UFP's authorization prior to any alteration or modification of product. UFP will not be held responsible for any unauthorized modifications done or costs incurred without prior written authorization from UFP.

UFP SITE BUILT
 A UFP INDUSTRIES COMPANY

TRUSS TRAX
 UFP CONSTRUCTION

TrussTrax.com

Burlington, NC
 Locust, NC
 Chesapeake, VA
 Liberty, NC
 Clinton, NC
 Ooltewah, TN
 Pearisburg, VA
 Jefferson, GA
 Stanfield, NC

Customer Service (800) 476-9356