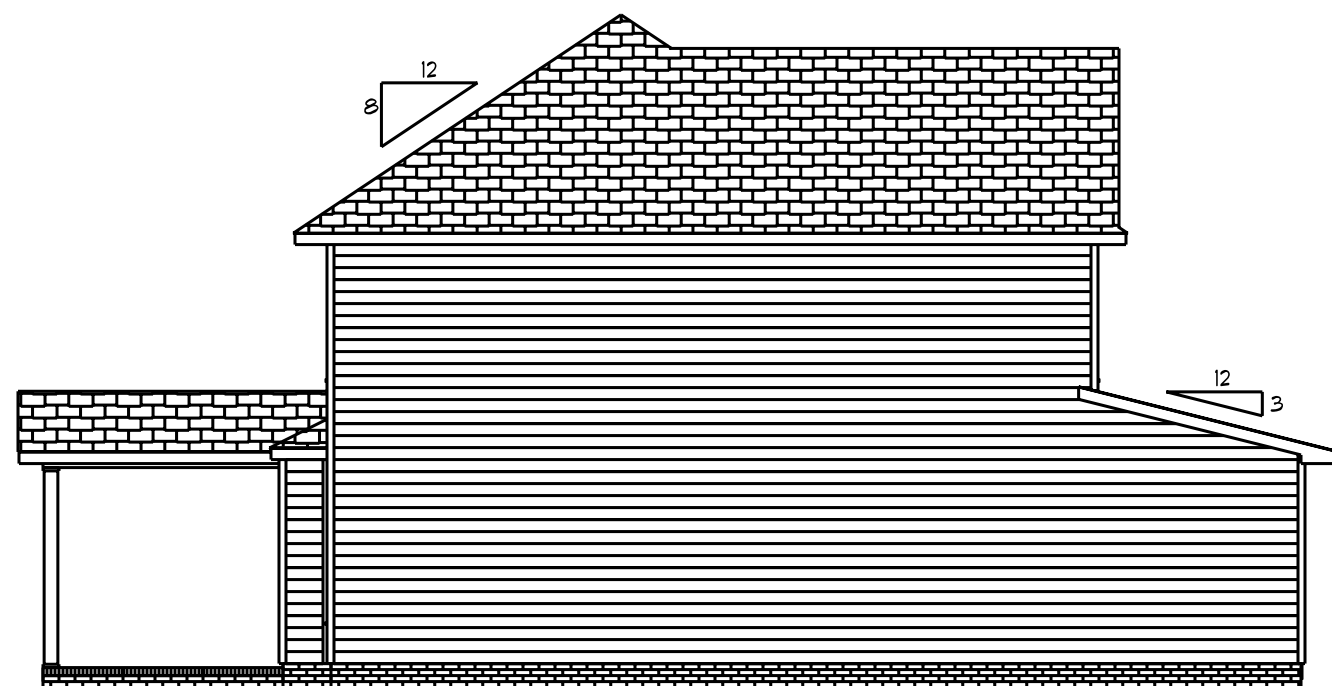




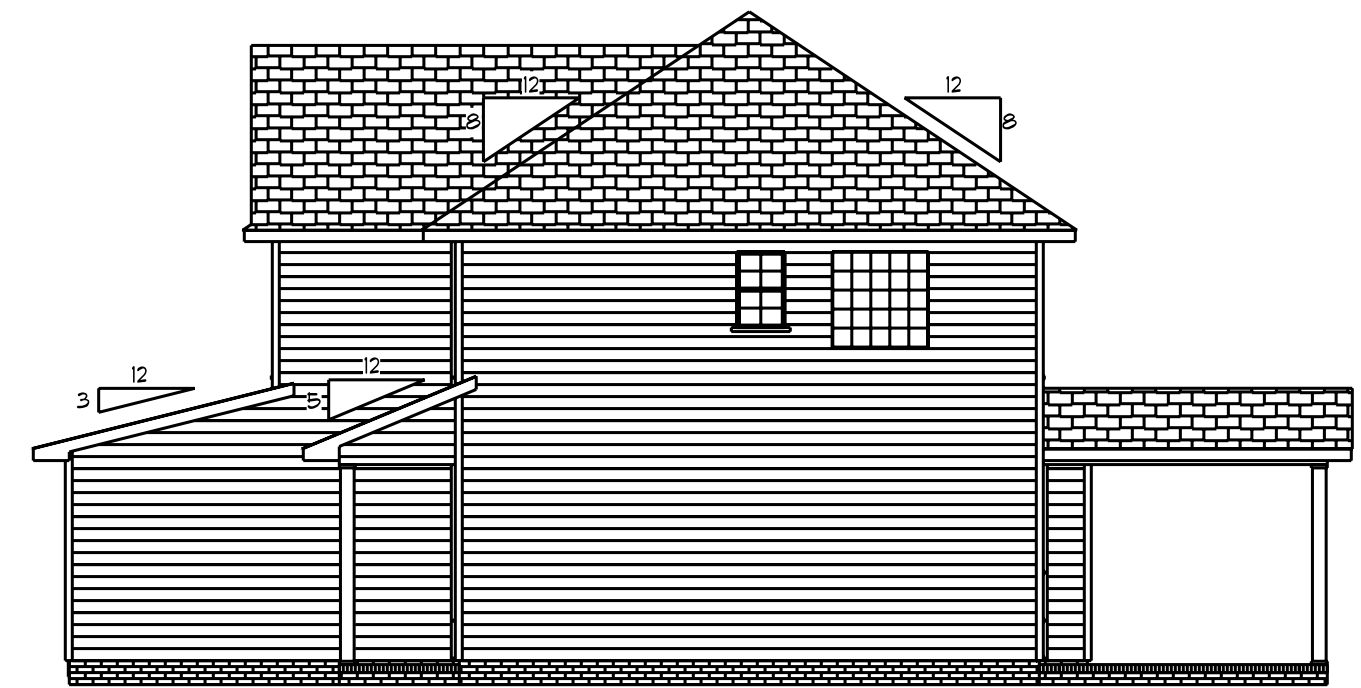
Front Elevation
Scale: 1/4" = 1'0"



Rear Elevation
Scale: 1/8" = 1'0"



Left Elevation
Scale: 1/8" = 1'0"



Right Elevation
Scale: 1/8" = 1'0"

DATE: 1/5/2024

REVISED

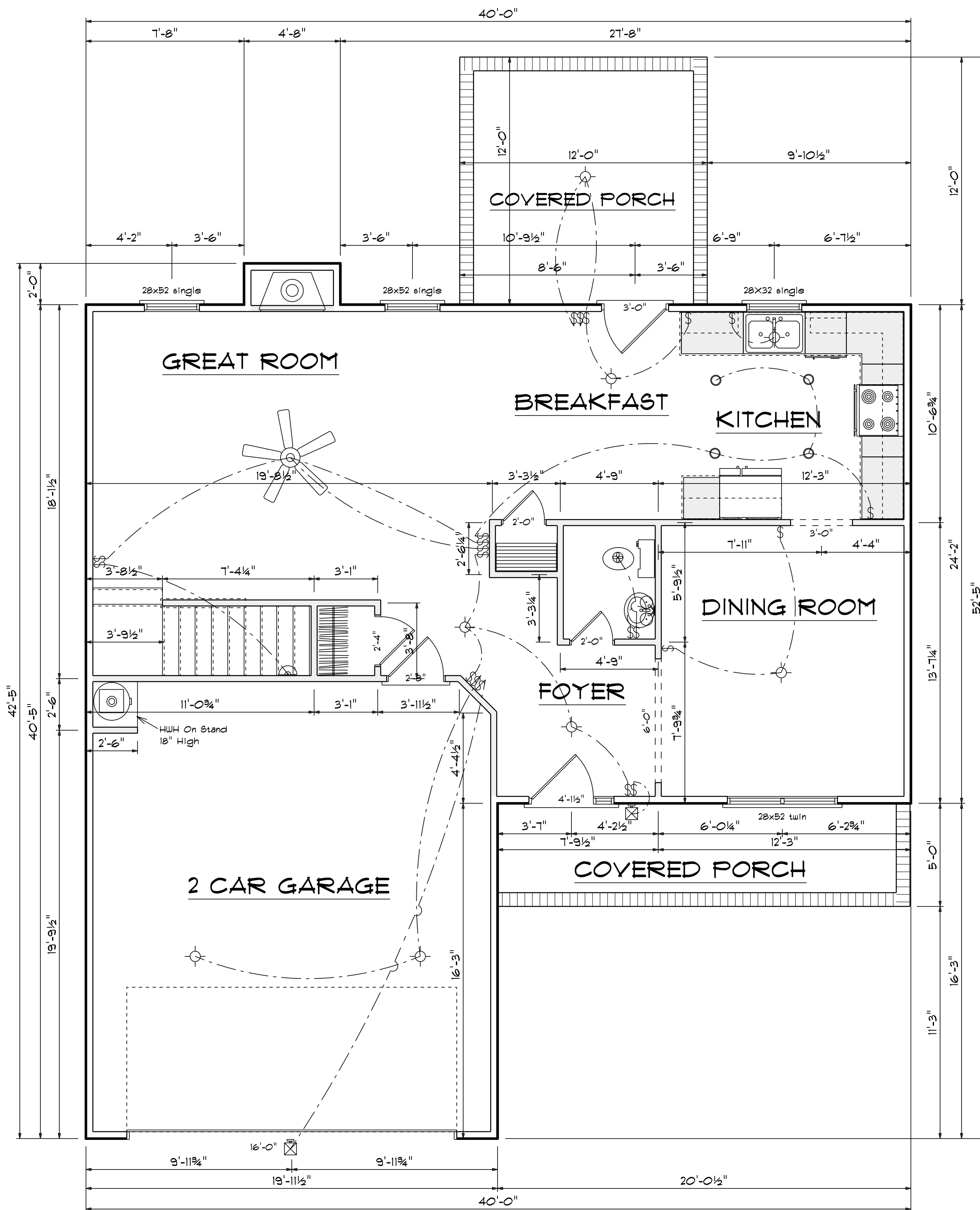
DRAWING#

SCALE: 1/4"

DRAWN BY

APPROVED

Plan #13



First Floor Plan

Scale: 1/4" = 1'-0"

| FIRST FLOOR OPENING SCHEDULE | | | | |
|------------------------------|---------------|-------|----------|-------|
| PRODUCT CODE | SIZE | HINGE | REVERSED | COUNT |
| 2-0 Door Unit | 2'-0" | L | NO | 2 |
| 2-4 Door Unit | 2'-4" | R | NO | 1 |
| 2-8 Door Unit | 2'-8" | L | NO | 1 |
| 28X32 single | 2'-8" x 3'-2" | N | NA | 1 |
| 28x52 single | 2'-8" x 5'-2" | N | NA | 2 |
| 28x52 twin | 5'-4" x 5'-2" | NN | NA | 1 |
| 50X80 LH ENTRY - 1 SL | 4'-1 1/2" | L | NA | 1 |
| 36X80 FRENCH 2 | 3'-0" | L | NO | 1 |
| 192X84 - 8 PANEL GARAGE DR | 16'-0" | U | NO | 1 |

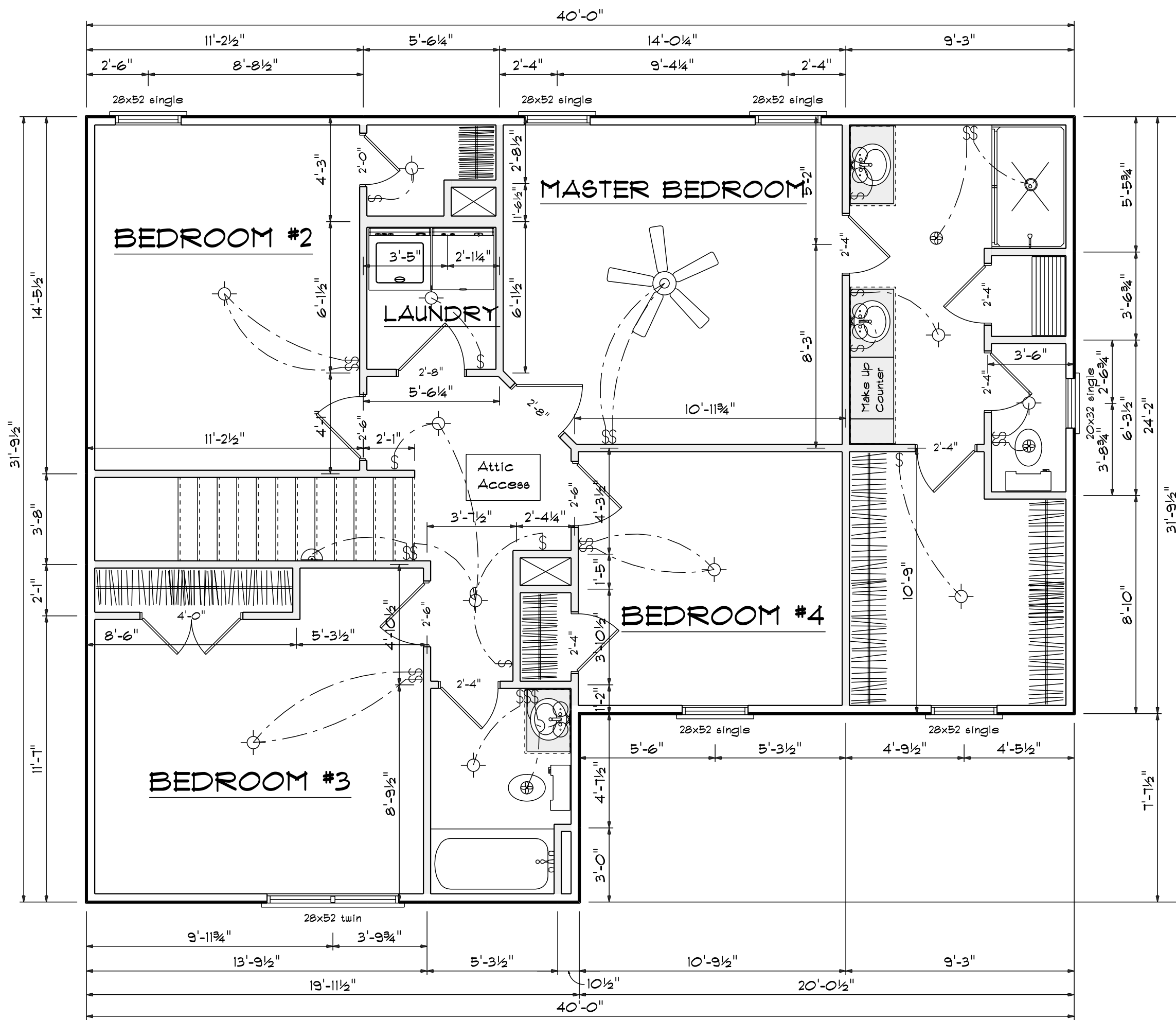
Areas

| | |
|--------------|------|
| First Floor | 858 |
| Second Floor | 1082 |
| ===== | |
| Total Heated | 1940 |
| Garage | 450 |
| Front Porch | 99 |
| Rear Porch | 144 |

DATE: 1/5/2024
REVISED
DRAWING#

SCALE: 1/4"
DRAWN BY
APPROVED

Plan #13



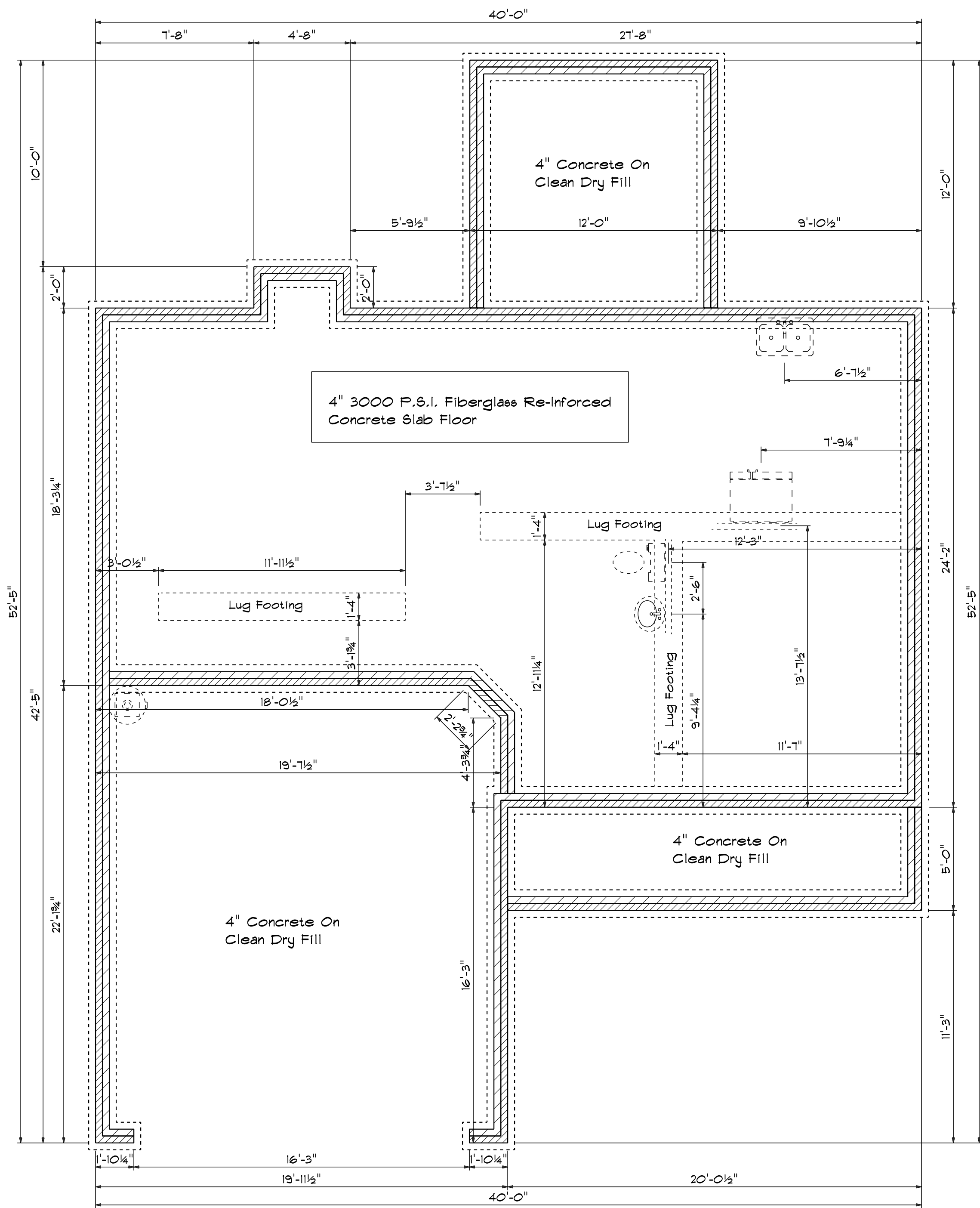
Second Floor Plan
 Scale: 1/4" = 1'-0"

| SECOND FLOOR OPENING SCHEDULE | | | | |
|-------------------------------|---------------|-------|----------|-------|
| PRODUCT CODE | SIZE | HINGE | REVERSED | COUNT |
| 2-0 Door Unit | 2'-0" | L | NO | 1 |
| 2-4 Door Unit | 2'-4" | L | NO | 3 |
| 2-4 Door Unit | 2'-4" | R | NO | 3 |
| 2-6 Door Unit | 2'-6" | L | NO | 2 |
| 2-6 Door Unit | 2'-6" | R | NO | 1 |
| 2-8 Door Unit | 2'-8" | L | NO | 2 |
| 4-0 Doublehung Door Unit | 4'-0" | LR | NO | 1 |
| 20x32 single | 2'-0" x 3'-2" | N | NA | 1 |
| 28x52 single | 2'-8" x 5'-2" | N | NA | 5 |
| 28x52 twin | 5'-4" x 5'-2" | NN | NA | 1 |

DATE: 1/5/2024
 REVISED
 DRAWING#

SCALE: 1/4"
 DRAWN BY
 APPROVED

Plan #13



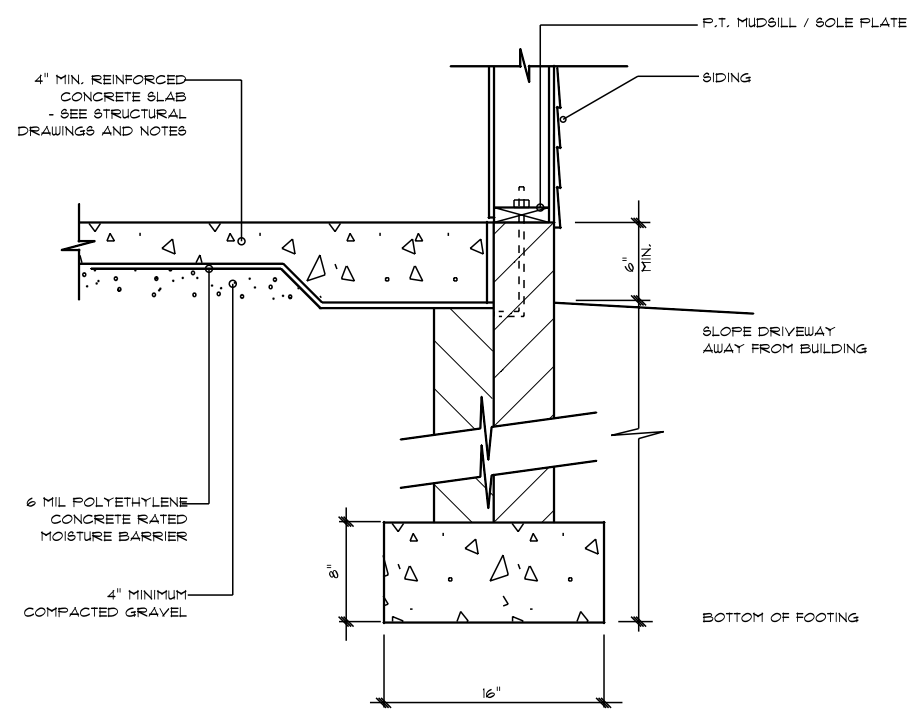
4" 3000 P.S.I. Fiberglass Re-Inforced Concrete Slab Floor

4" Concrete On Clean Dry Fill

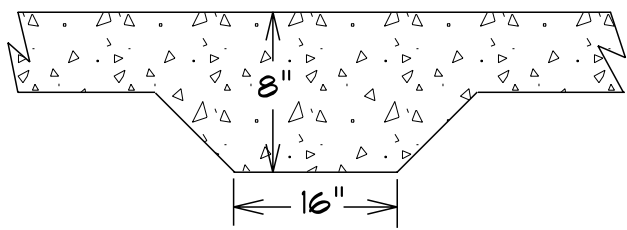
4" Concrete On Clean Dry Fill

Foundation Plan

Scale: 1/4" = 1'-0"



STEM WALL FOOTING DETAIL

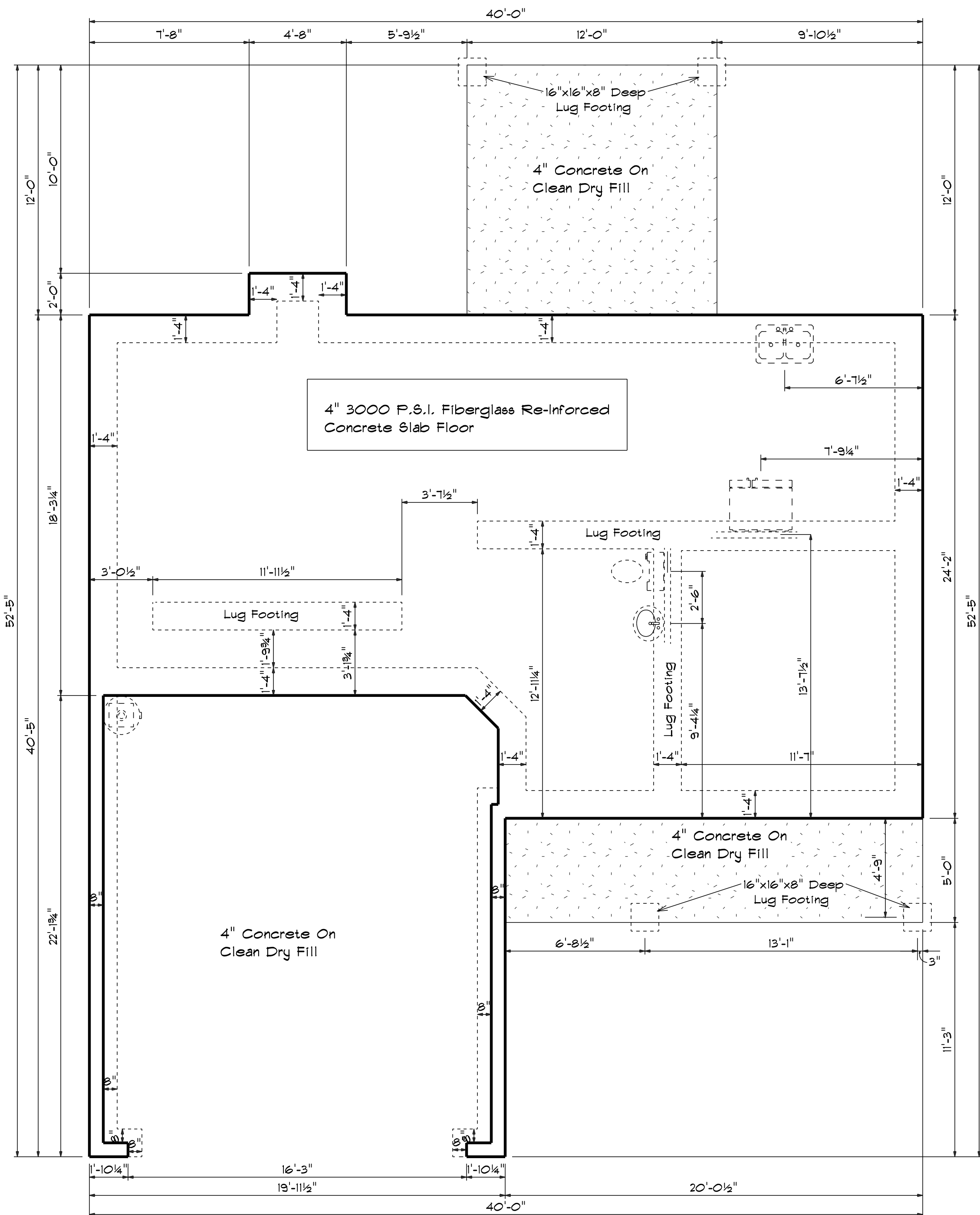


LUG FOOTING DETAIL

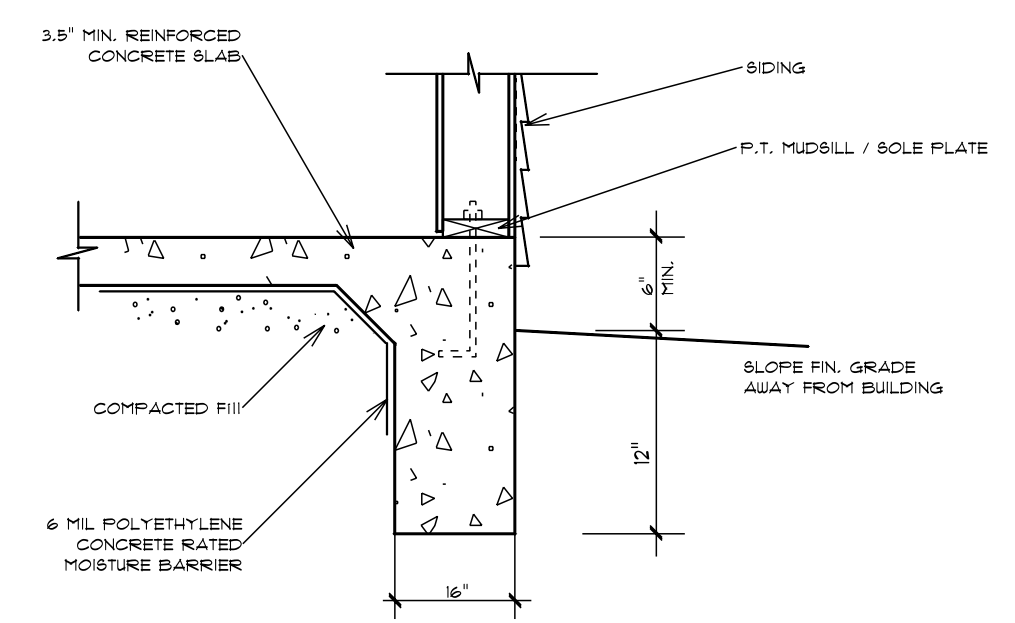
DATE: 1/5/2024
REVISIONS
DRAWING#

SCALE: 1/4"
DRAWN BY
APPROVED

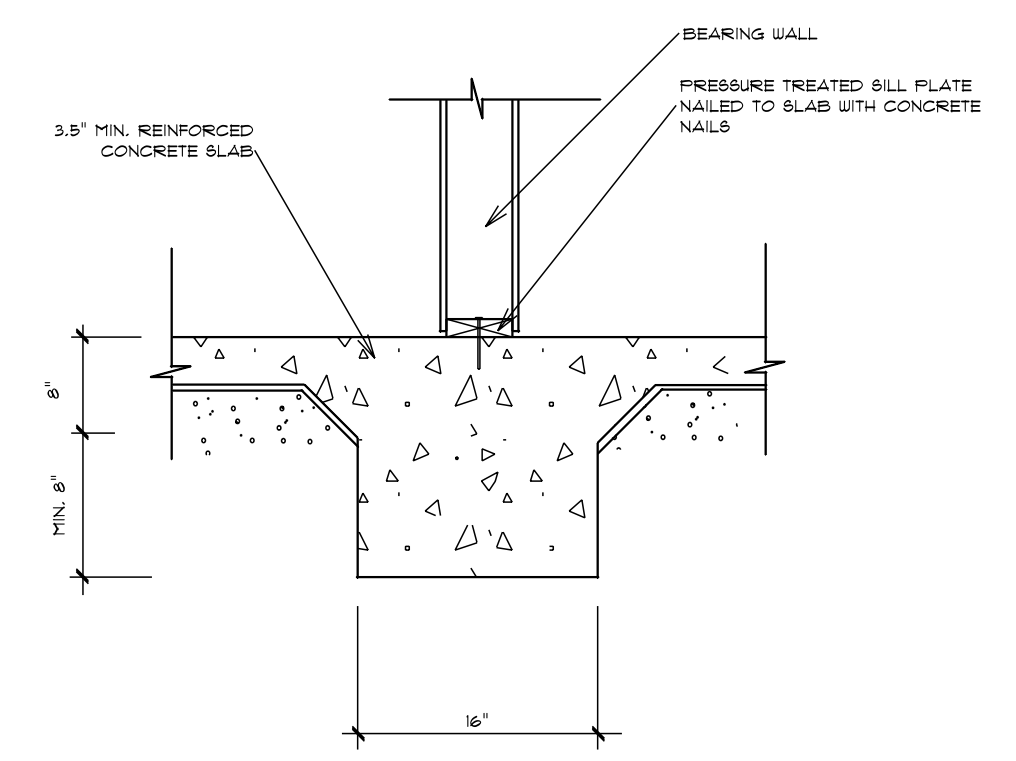
Plan #13



Foundation Plan
 Scale: 1/4" = 1'-0"



TURN-DOWN FOOTING DETAIL



INTEGRAL SLAB FOOTING DETAIL AT BEARING WALL

DATE: 1/5/2024
 REVISED
 DRAWING#

SCALE: 1/4"
 DRAWN BY
 APPROVED

Plan #13