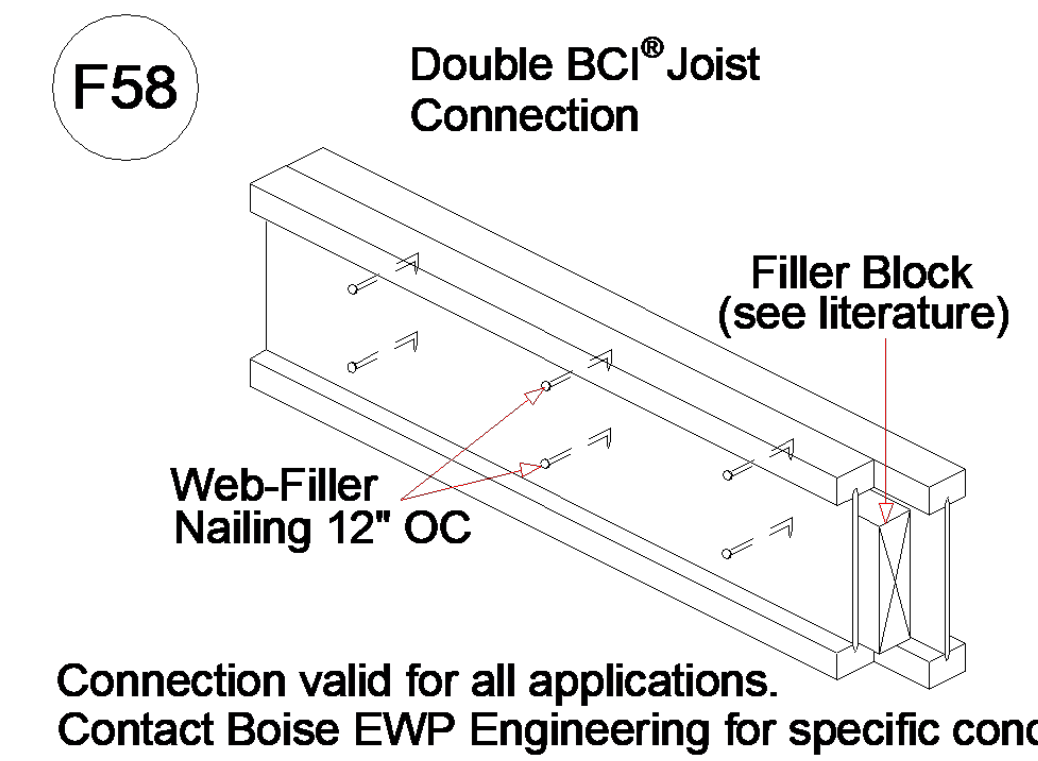


Products				
PlotID	Length	Product	Plies	Net Qty
J2-1	38-0-0	14" BCI® 6000s-1.8	1	10
J2-2	26-0-0	14" BCI® 6000s-1.8	1	2
J2-3	21-0-0	14" BCI® 6000s-1.8	1	19
J2-4	21-0-0	14" BCI® 6000s-1.8	2	2
J2-5	20-0-0	14" BCI® 6000s-1.8	1	1
J2-6	19-0-0	14" BCI® 6000s-1.8	1	4
J2-7	17-0-0	14" BCI® 6000s-1.8	1	9
J2-8	17-0-0	14" BCI® 6000s-1.8	2	2
J2-9	13-0-0	14" BCI® 6000s-1.8	1	2
J2-10	7-0-0	14" BCI® 6000s-1.8	1	2
J2-11	5-0-0	14" BCI® 6000s-1.8	1	1
J2-12	4-0-0	14" BCI® 6000s-1.8	1	1
BM2-1 (D)	12-0-0	1-3/4" x 9-1/2" VERSA-LAM® 2.0 3100 SP	2	2
BM2-2 (D)	8-0-0	1-3/4" x 9-1/2" VERSA-LAM® 2.0 3100 SP	2	2
BM2-3 (D)	20-0-0	1-3/4" x 11-7/8" VERSA-LAM® 2.0 3100 SP	2	2
BM2-4 (D)	10-0-0	1-3/4" x 11-7/8" VERSA-LAM® 2.0 3100 SP	2	2
BM2-5 (R)	20-0-0	1-3/4" x 14" VERSA-LAM® 2.0 3100 SP	3	3
BM2-6 (R)	10-0-0	1-3/4" x 14" VERSA-LAM® 2.0 3100 SP	2	2
Rim1	12-0-0	1-1/8" x 14" BC RIM BOARD OSB	1	15
Blk1	2-0-0	14" BLOCKING	1	9
Blk1 *	2-0-0	14" BLOCKING	1	8

Connector Summary			
Qty	Manuf	Product	Flange
15	Simpson	IUS2.37/14	None

Backer blocks are required for all hangers supported by I-joists.



**FOR PERMIT**

Client: **MATTAMY HOMES-RALEIGH**  
 Job: **LOT 48 PROVIDENCE CREEK**  
 Plan Information: **SEQUOAI-CR**

NOT TO SCALE  
 Drawn By: **MBB**  
 Date: 03/27/24  
 Job #: **24-2852-J02**  
 Sales Rep: **KYLE GIBSON**  
 Phone: **843-729-3249**

▲ = LEFT END OF TRUSS

REVISIONS:

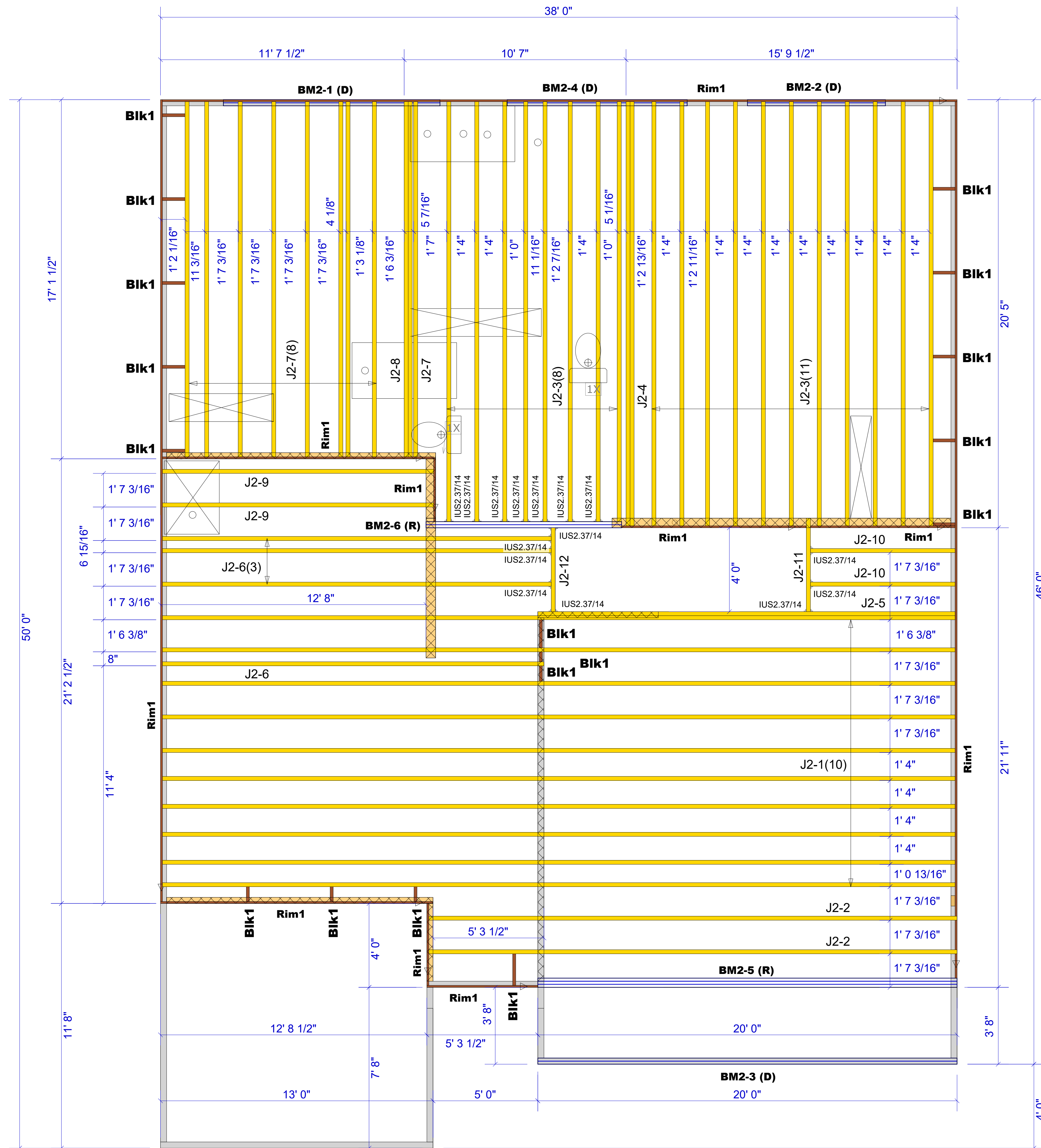


Moncks Corner/Easley, SC (800) 475-3999  
 Sparta, NC (336) 372-2226

Products				
Net Qty	Plies	Product	Length	PlotID
10	1	14" BCI® 6000s-1.8	38-0-0	J2-1
2	1	14" BCI® 6000s-1.8	26-0-0	J2-2
19	1	14" BCI® 6000s-1.8	21-0-0	J2-3
2	2	14" BCI® 6000s-1.8	21-0-0	J2-4
1	1	14" BCI® 6000s-1.8	20-0-0	J2-5
4	1	14" BCI® 6000s-1.8	19-0-0	J2-6
9	1	14" BCI® 6000s-1.8	17-0-0	J2-7
2	2	14" BCI® 6000s-1.8	17-0-0	J2-8
2	1	14" BCI® 6000s-1.8	13-0-0	J2-9
2	1	14" BCI® 6000s-1.8	7-0-0	J2-10
1	1	14" BCI® 6000s-1.8	5-0-0	J2-11
1	1	14" BCI® 6000s-1.8	4-0-0	J2-12
2	2	1-3/4" x 9-1/2" VERSA-LAM® 2.0 3100 SP	12-0-0	BM2-1 (D)
2	2	1-3/4" x 9-1/2" VERSA-LAM® 2.0 3100 SP	8-0-0	BM2-2 (D)
2	2	1-3/4" x 11-7/8" VERSA-LAM® 2.0 3100 SP	20-0-0	BM2-3 (D)
2	2	1-3/4" x 11-7/8" VERSA-LAM® 2.0 3100 SP	10-0-0	BM2-4 (D)
3	3	1-3/4" x 14" VERSA-LAM® 2.0 3100 SP	20-0-0	BM2-5 (R)
2	2	1-3/4" x 14" VERSA-LAM® 2.0 3100 SP	10-0-0	BM2-6 (R)
15	1	1-1/8" x 14" BC RIM BOARD OSB	12-0-0	Rim1
9	1	14" BLOCKING	2-0-0	Blk1
8	1	14" BLOCKING	2-0-0	Blk1 *

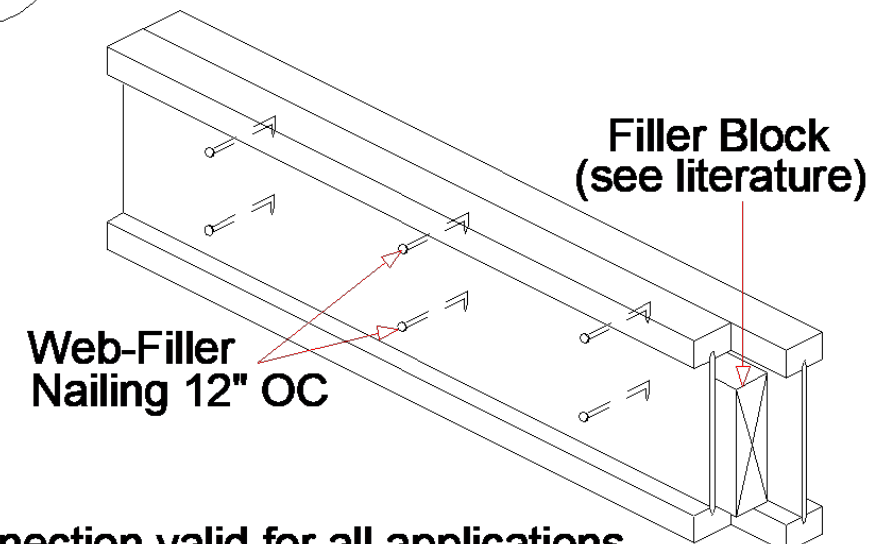
Connector Summary			
Flange	Product	Manuf	Qty
None	IUS2.37/14	Simpson	15

Backer blocks are required for all hangers supported by I-joists.



F58

Double BCI® Joist Connection



Connection valid for all applications. Contact Boise EWP Engineering for specific conditions.

FOR PERMIT

Client: MATTAMY HOMES-RALEIGH  
 Job: LOT 48 PROVIDENCE CREEK  
 Plan Information: SEQUOAI-CR

NOT TO SCALE  
 Drawn By: MBB

Date: 03/27/24  
 Job #: 24-2852-J02  
 Sales Rep: KYLE GIBSON  
 Phone: 843-729-3249

I-JOISTS

▲ = LEFT END OF TRUSS

REVISIONS:



Moncks Corner/Easley, SC (800) 475-3999  
 Sparta, NC (336) 372-2226