

RENAISSANCE
RESIDENTIAL DESIGN, INC.

RALEIGH, NC 27612
919.829.1198
WWW.RRDCAROLINA.COM

"The art of transforming your vision into reality."

RENAISSANCE RESIDENTIAL DESIGN, INC. RESERVES THE RIGHT TO MAKE MODIFICATIONS TO FLOOR PLANS, DIMENSIONS, MATERIALS, AND SPECIFICATIONS WITHOUT NOTICE. THESE DRAWINGS ARE FOR THE PURPOSE OF CONVEYING AN ARCHITECTURAL CONCEPT ONLY.

RENAISSANCE RESIDENTIAL DESIGN, INC. HEREBY EXPRESSLY RESERVES ITS COMMON LAW COPYRIGHT AND OTHER PROPERTY RIGHTS IN THESE PLANS. THESE PLANS AND DRAWINGS ARE NOT TO BE REPRODUCED, CHANGED, OR COPIED IN ANY FORM OR MANNER WITHOUT FIRST OBTAINING THE EXPRESS WRITTEN CONSENT OF RENAISSANCE RESIDENTIAL DESIGN, INC. NOR ARE THEY TO BE ASSIGNED TO ANY THIRD PARTY WITHOUT FIRST OBTAINING SAID WRITTEN PERMISSION AND CONSENT.

J.S. THOMPSON
ENGINEERING, INC.
606 WADE AVE., SUITE 104
RALEIGH, NC 27605
PHONE: (919) 789-9919
FAX: (919) 789-9921
N.C. LICENSE NO.: C1733



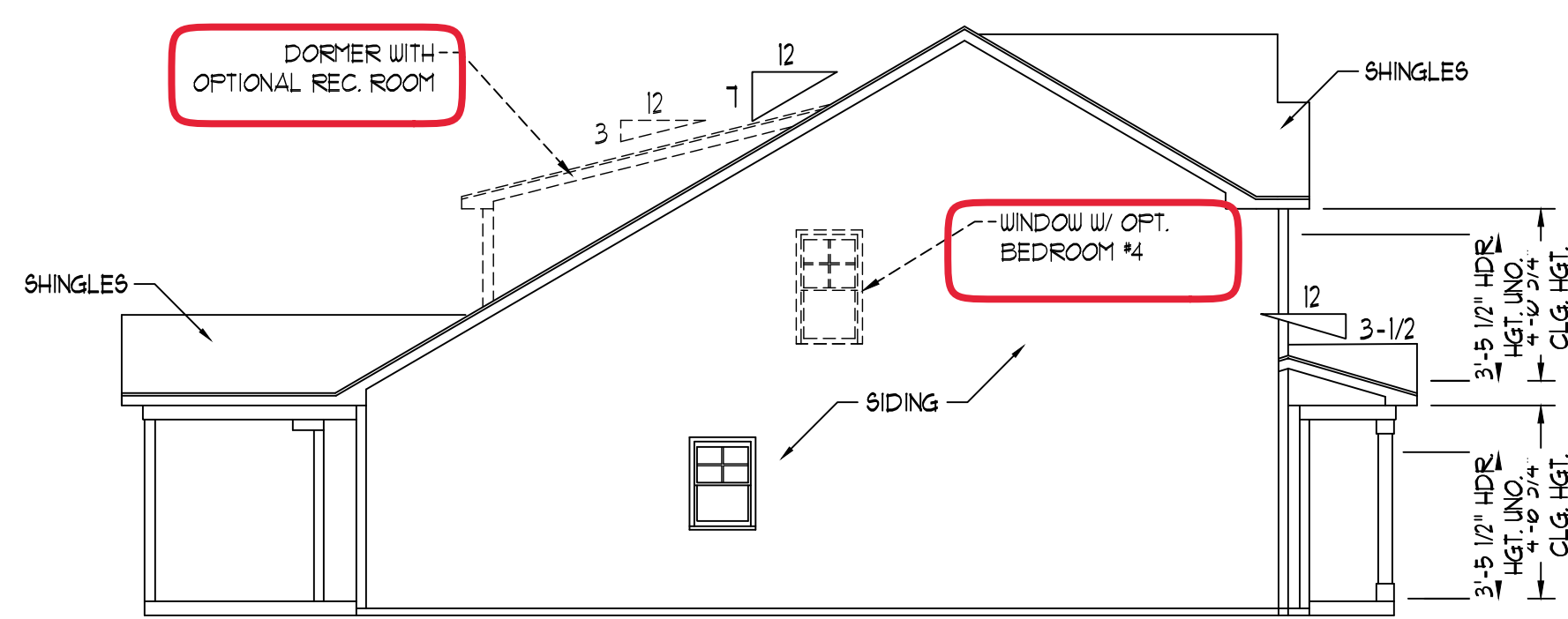
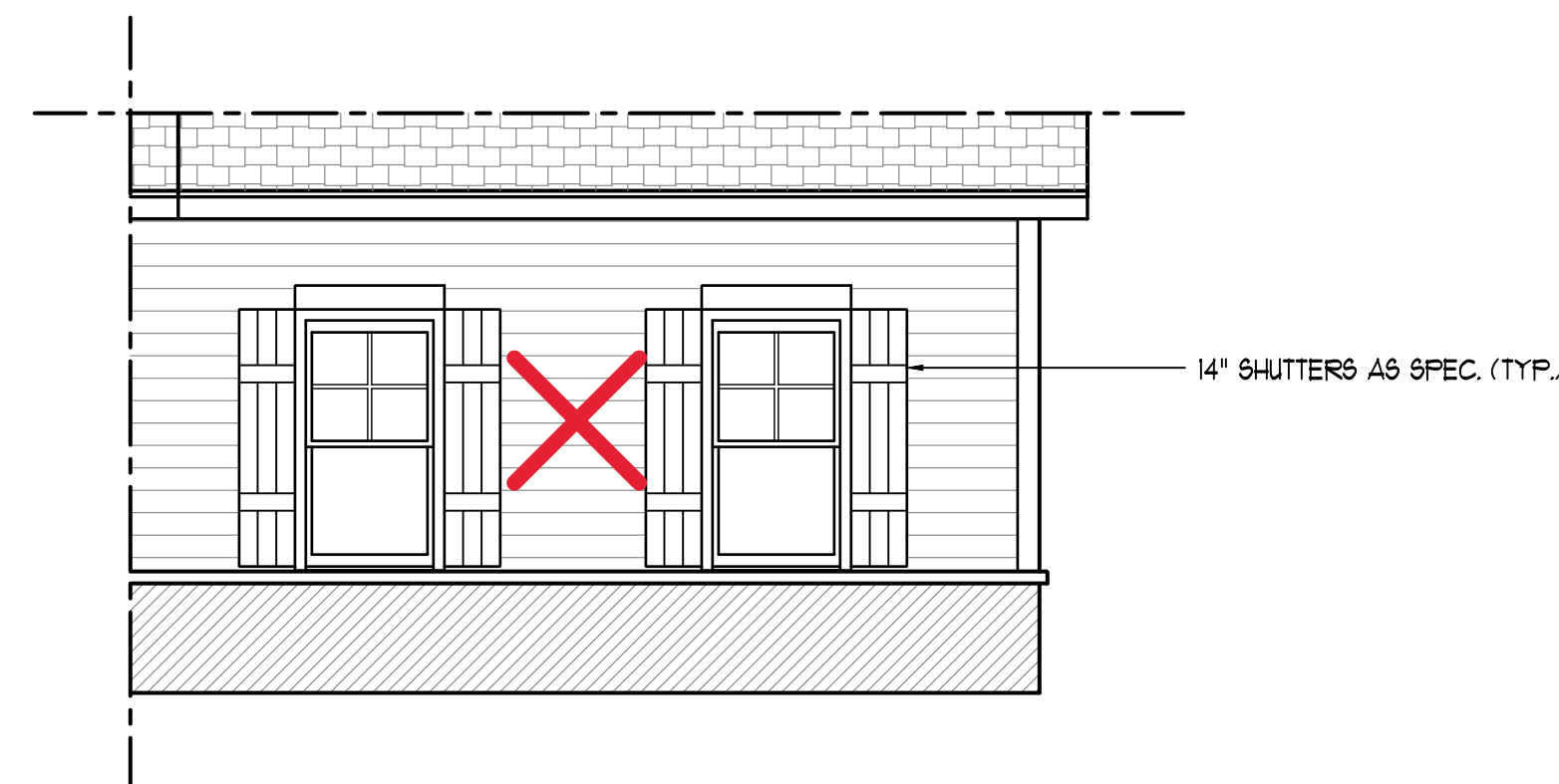
PRICES, PROMOTIONS, INCENTIVES, FEATURES, OPTIONS, FLOOR PLANS, ELEVATIONS, DESIGNS, MATERIALS AND DIMENSIONS ARE SUBJECT TO CHANGE WITHOUT NOTICE. SQUARE FOOTAGE AND DIMENSIONS ARE ESTIMATED AND MAY VARY IN ACTUAL CONSTRUCTION. ALL DIMENSIONS AND FINISHES WILL BE DETERMINED BY THE SITE PLAN AND/OR LOT PLAN. FLOOR PLANS AND ELEVATIONS RENDERINGS ARE ARTIST CONCEPTIONS. FLOOR PLANS ARE THE COPYRIGHTED PROPERTY OF J.S. THOMPSON ENGINEERING, INC. REPRODUCTION, MODIFICATION, OR DISTRIBUTION OF THESE PLANS IS PROHIBITED. SEE NEW HOME SALES CONSULTANT FOR CURRENT DETAILS. COPYRIGHT 2021 ONSITE HOMES



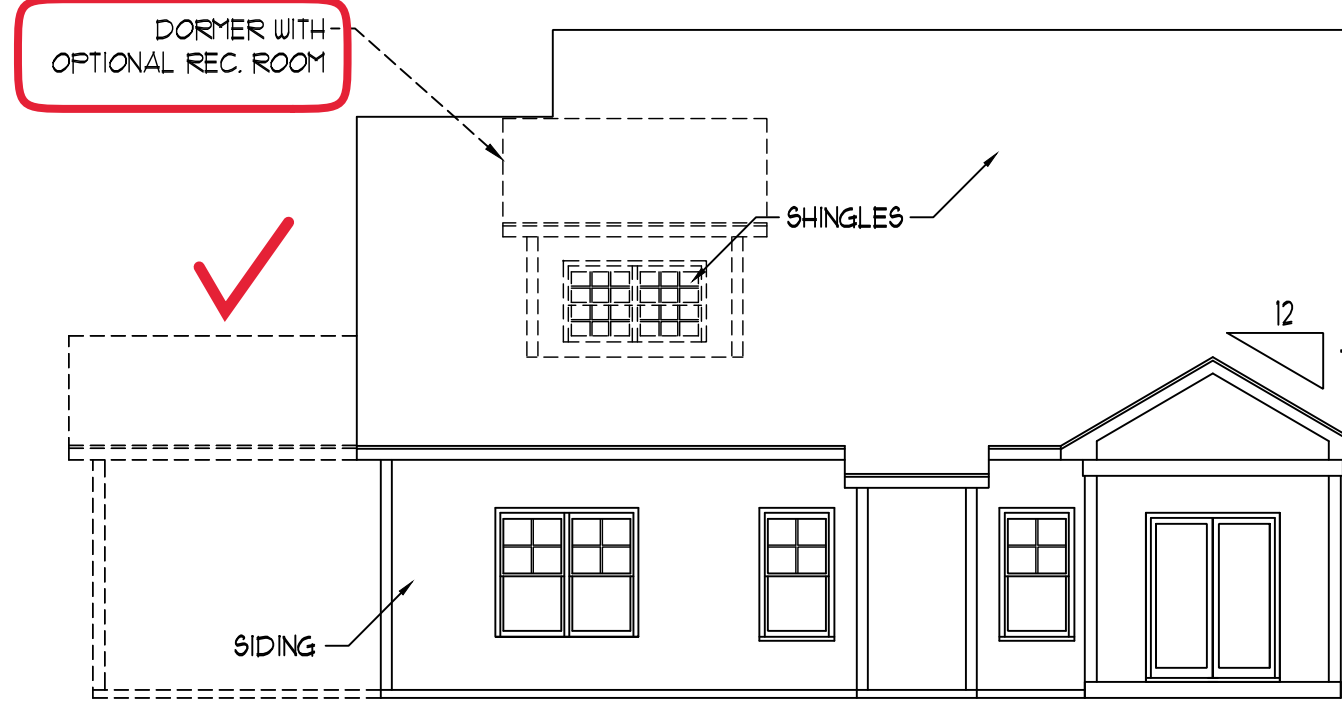
FRONT ELEVATION-B
SCALE: 1/4" = 1'-0"

Full Upstairs
REC and 4th Bedroom. Master Bath
with shower only

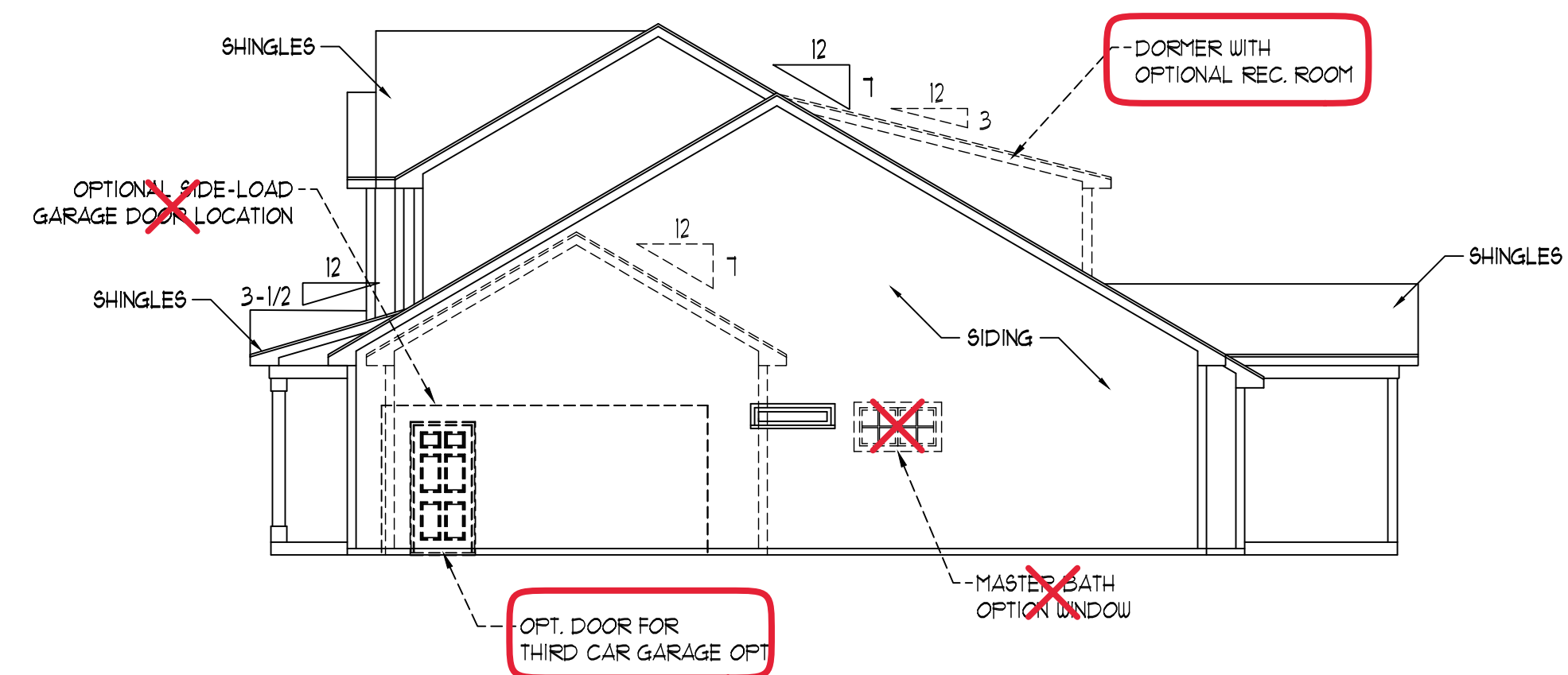
~~SIDE-LOAD
GARAGE OPTION~~
SCALE: 1/4" = 1'-0"



LEFT ELEVATION
SCALE: 1/8" = 1'-0"



REAR ELEVATION
SCALE: 1/8" = 1'-0"

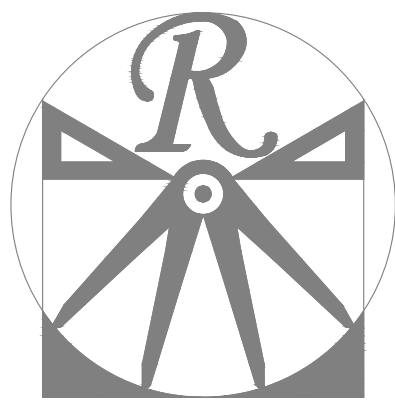


RIGHT ELEVATION
SCALE: 1/8" = 1'-0"

ONSITE HOMES
BURLEIGH
DRIVE RIGHT

DATE: JUNE 8, 2021
REV.:
SCALE: AS NOTED
DRAWN BY: WG
ENGINEERED BY: WFB
REVIEWED BY: MGS

B - ELEVATIONS



RENAISSANCE DESIGN, INC.

RESIDENTIAL DESIGN, INC.
RALEIGH, NC 27612
(919) 829-1198
WWW.RRDCORP.COM

"The art of transforming your vision into reality."
RENAISSANCE RESIDENTIAL DESIGN, INC. RESERVES THE RIGHT TO MAKE MODIFICATIONS TO FLOOR PLANS, DIMENSIONS, MATERIALS, AND SPECIFICATIONS WITHOUT NOTICE. THESE DRAWINGS ARE FOR THE PURPOSE OF CONVEYING AN ARCHITECTURAL CONCEPT ONLY.

RENAISSANCE RESIDENTIAL DESIGN, INC. HEREBY EXPRESSLY RESERVES ITS COMMON LAW COPYRIGHT AND OTHER PROPERTY RIGHTS IN THESE PLANS. THESE PLANS AND DRAWINGS ARE NOT TO BE REPRODUCED, CHANGED, OR COPIED IN ANY FORM OR MANNER WITHOUT FIRST OBTAINING THE EXPRESS WRITTEN CONSENT OF RENAISSANCE RESIDENTIAL DESIGN, INC. NOR ARE THEY TO BE ASSIGNED TO ANY THIRD PARTY WITHOUT FIRST OBTAINING SAID WRITTEN PERMISSION AND CONSENT.

J.S. THOMPSON ENGINEERING, INC.
606 WADE AVE., SUITE 104
RALEIGH, NC 27605
PHONE: (919) 789-9919
FAX: (919) 789-9921
N.C. LICENSE NO. C1733



PRICES, PROMOTIONS, INCENTIVES, FEATURES, OPTIONS, FLOOR PLANS, ELEVATIONS, DESIGNS, MATERIALS AND DIMENSIONS ARE SUBJECT TO CHANGE WITHOUT NOTICE. SQUARE FOOTAGE AND DIMENSIONS ARE ESTIMATED AND MAY VARY IN ACTUAL CONSTRUCTION. ALL DIMENSIONS ARE TO FINISH UNLESS OTHERWISE NOTED. ALL DIMENSIONS WILL BE DETERMINED BY THE SITE PLAN AND/OR AT PLAN CONSTRUCTION. FLOOR PLANS AND ELEVATION RENDERINGS ARE ARTIST CONCEPTIONS. FLOOR PLANS ARE THE COPYRIGHTED PROPERTY OF ONSITE HOMES. ANY USE, REPRODUCTION, OR MODIFICATION OF THESE PLANS IS PROHIBITED. SEE NEW HOME SELLER'S CONSULTANT FOR CURRENT DETAILS. COPYRIGHT 2021 ONSITE HOMES

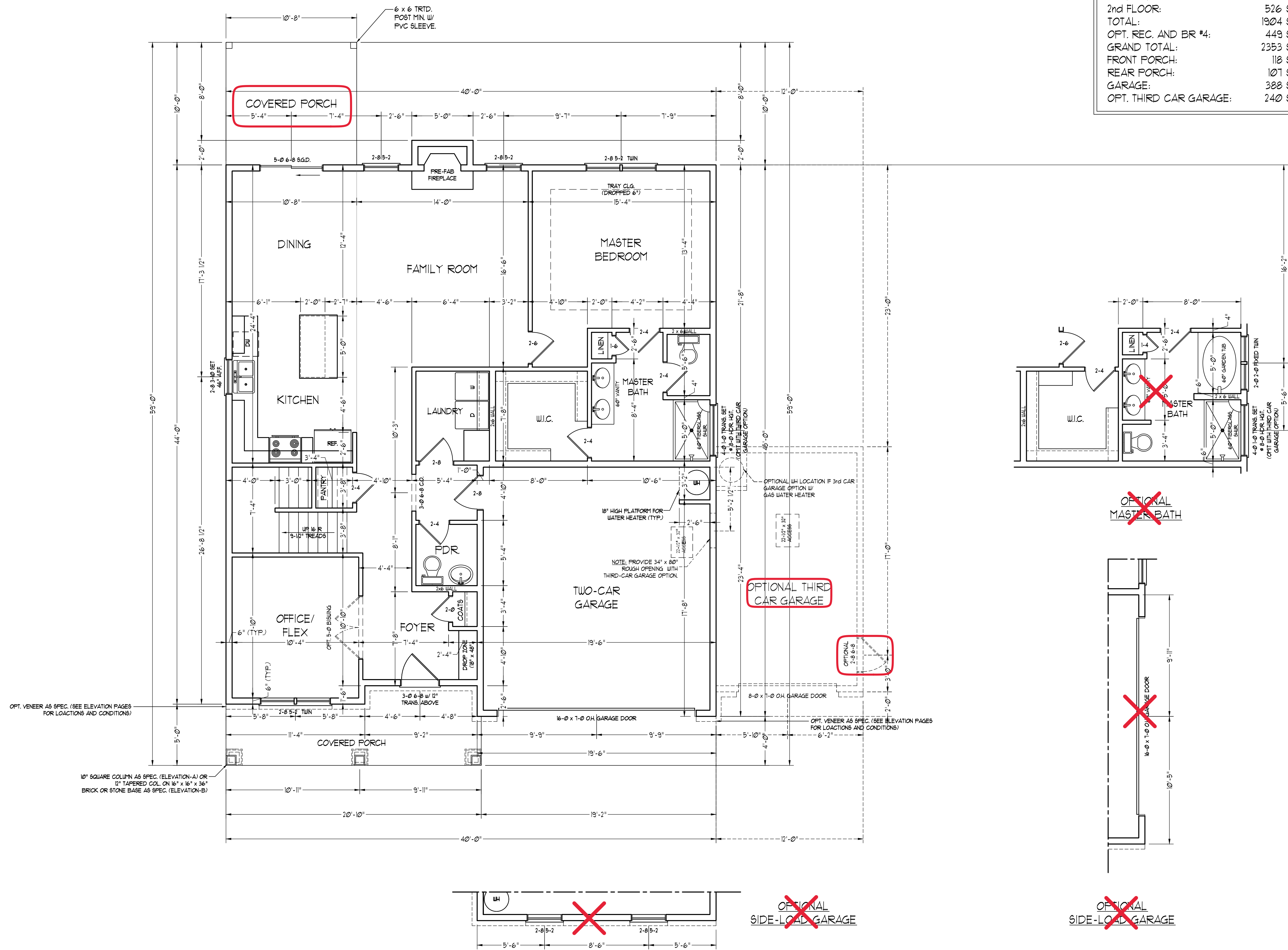
ONSITE HOMES
BURLEIGH
DRIVE RIGHT

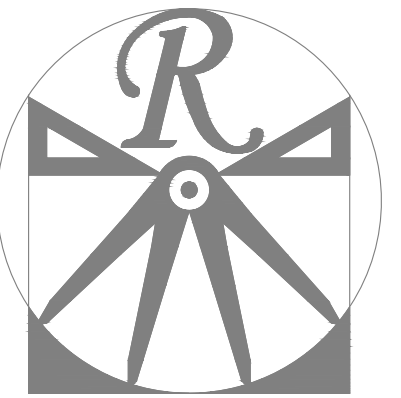
DATE: JUNE 8, 2021
REV.:
SCALE: 1/4"=1'-0"
DRAWN BY: WG
ENGINEERED BY: WFB
REVIEWED BY: MGS

FIRST FLOOR PLAN

A-3

SQUARE FOOTAGE	
1st FLOOR:	1378 SQ. FT.
2nd FLOOR:	526 SQ. FT.
TOTAL:	1904 SQ. FT.
OPT. REC. AND BR #4:	449 SQ. FT.
GRAND TOTAL:	2353 SQ. FT.
FRONT PORCH:	118 SQ. FT.
REAR PORCH:	107 SQ. FT.
GARAGE:	388 SQ. FT.
OPT. THIRD CAR GARAGE:	240 SQ. FT.





RENAISSANCE
RESIDENTIAL DESIGN, INC.

RALEIGH, NC 27612
(919) 829-1198
WWW.RRDCAROLINA.COM

"The art of transforming your vision into reality."

RENAISSANCE RESIDENTIAL DESIGN, INC. RESERVES THE RIGHT TO MAKE MODIFICATIONS TO FLOOR PLANS, DIMENSIONS, MATERIALS, AND SPECIFICATIONS WITHOUT NOTICE. THESE DRAWINGS ARE FOR THE PURPOSE OF CONVEYING AN ARCHITECTURAL CONCEPT ONLY.

RENAISSANCE RESIDENTIAL DESIGN, INC. HEREBY EXPRESSLY RESERVES ITS COMMON LAW COPYRIGHT AND OTHER PROPERTY RIGHTS IN THESE PLANS. THESE PLANS AND DRAWINGS ARE NOT TO BE REPRODUCED, CHANGED, OR COPIED IN ANY FORM OR MANNER WITHOUT FIRST OBTAINING THE EXPRESS WRITTEN CONSENT OF RENAISSANCE RESIDENTIAL DESIGN, INC. NOR ARE THEY TO BE ASSIGNED TO ANY THIRD PARTY WITHOUT FIRST OBTAINING SAID WRITTEN PERMISSION AND CONSENT.

J.S. THOMPSON
ENGINEERING, INC.
606 WADE AVE., SUITE 104
RALEIGH, NC 27605
PHONE: (919) 789-9919
FAX: (919) 789-9921
N.C. LICENSE NO. C17333



PRICES, PROMOTIONS, INCENTIVES, FEATURES, OPTIONS, FLOOR PLANS, ELEVATIONS, DESIGNS, MATERIALS AND DIMENSIONS ARE SUBJECT TO CHANGE WITHOUT NOTICE. SQUARE FOOTAGE AND DIMENSIONS ARE ESTIMATED AND MAY VARY IN ACTUAL CONSTRUCTION. ALL DIMENSIONS ARE TO FINISH UNLESS OTHERWISE NOTED. ALL DIMENSIONS WILL BE DETERMINED BY THE SITE PLAN AND/OR LOT FLOOR PLANS AND ELEVATION RENDERINGS ARE ARTIST CONCEPTIONS. FLOOR PLANS ARE THE COPYRIGHTED PROPERTY OF ON-SITE HOMES. ANY USE, REPRODUCTION, OR MODIFICATION OF THESE PLANS IS STRICTLY PROHIBITED. SEE NEW HOME SALES CONSULTANT FOR CURRENT DETAILS. COPYRIGHT 2021 ON-SITE HOMES

ONSITE HOMES
BURLEIGH
DRIVE RIGHT

DATE: JUNE 8, 2021

REV.:

SCALE: 1/4"=1'-0"

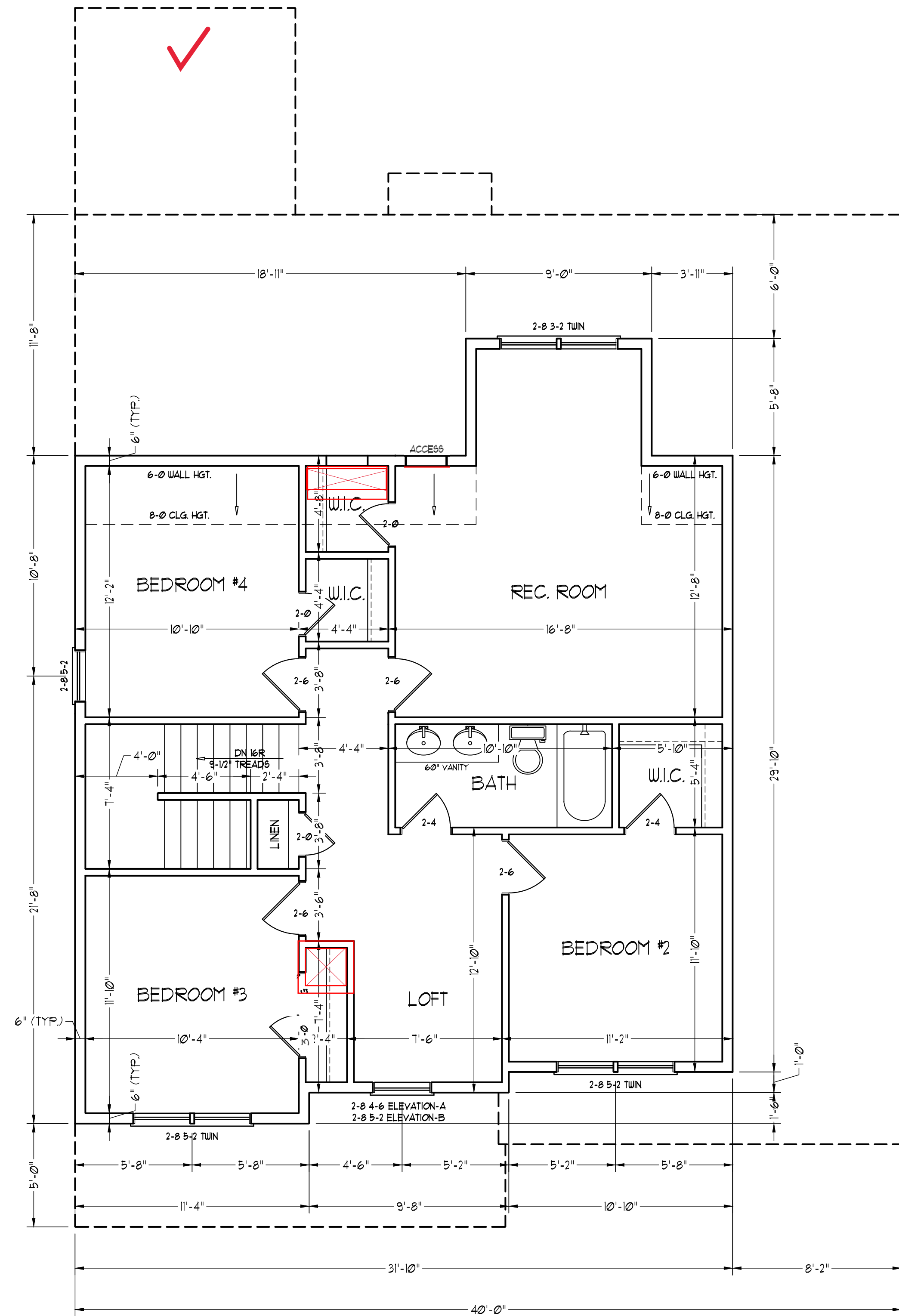
DRAWN BY: WFG

ENGINEERED BY: WFB

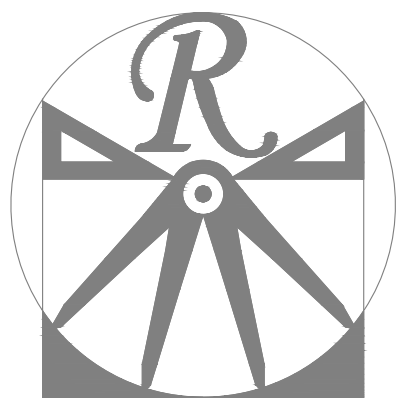
REVIEWED BY: MGS

OPTIONAL
SECOND FLOOR
PLAN

A-4.1



OPTIONAL SECOND FLOOR PLAN



RENAISSANCE
RESIDENTIAL DESIGN, INC.

RALEIGH, NC 27612
919.829-1198
WWW.RRDCAROLINA.COM

"The art of transforming your vision into reality."

RENAISSANCE RESIDENTIAL DESIGN, INC. HEREBY EXPRESSLY RESERVES ITS COMMON LAW COPYRIGHT AND OTHER PROPERTY RIGHTS IN THESE PLANS. THESE PLANS AND DRAWINGS ARE NOT TO BE REPRODUCED, CHANGED, OR COPIED IN ANY FORM OR MANNER WITHOUT FIRST OBTAINING THE EXPRESS WRITTEN CONSENT OF RENAISSANCE RESIDENTIAL DESIGN, INC. NOR ARE THEY TO BE ASSIGNED TO ANY THIRD PARTY WITHOUT FIRST OBTAINING SAID WRITTEN PERMISSION AND CONSENT.

RENAISSANCE RESIDENTIAL DESIGN, INC. HEREBY EXPRESSLY RESERVES ITS COMMON LAW COPYRIGHT AND OTHER PROPERTY RIGHTS IN THESE PLANS. THESE PLANS AND DRAWINGS ARE NOT TO BE REPRODUCED, CHANGED, OR COPIED IN ANY FORM OR MANNER WITHOUT FIRST OBTAINING THE EXPRESS WRITTEN CONSENT OF RENAISSANCE RESIDENTIAL DESIGN, INC. NOR ARE THEY TO BE ASSIGNED TO ANY THIRD PARTY WITHOUT FIRST OBTAINING SAID WRITTEN PERMISSION AND CONSENT.

J.S. THOMPSON
ENGINEERING, INC.
606 WADE AVE., SUITE 104
RALEIGH, NC 27605
PHONE: (919) 789-9919
FAX: (919) 789-9921
N.C. LICENSE NO.: C1733



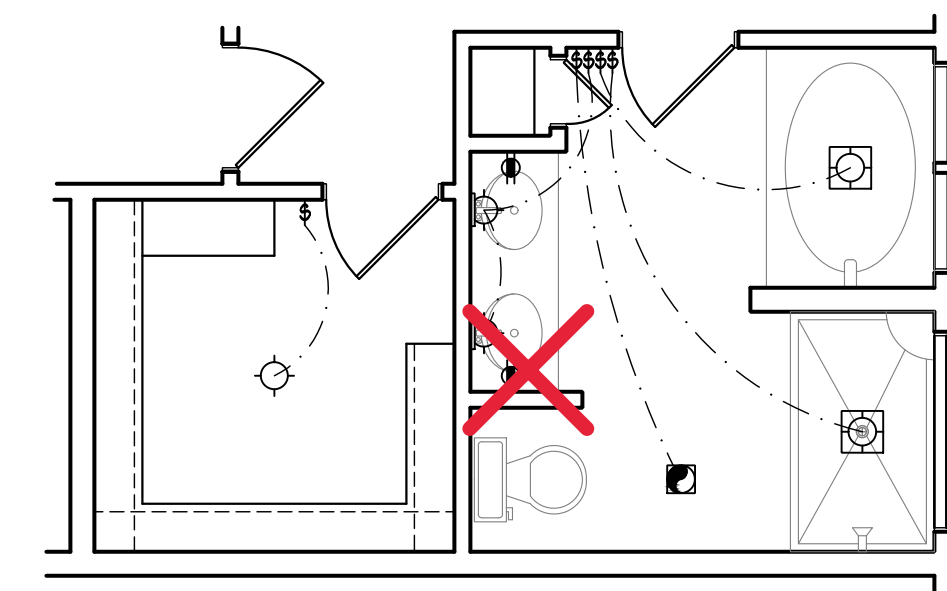
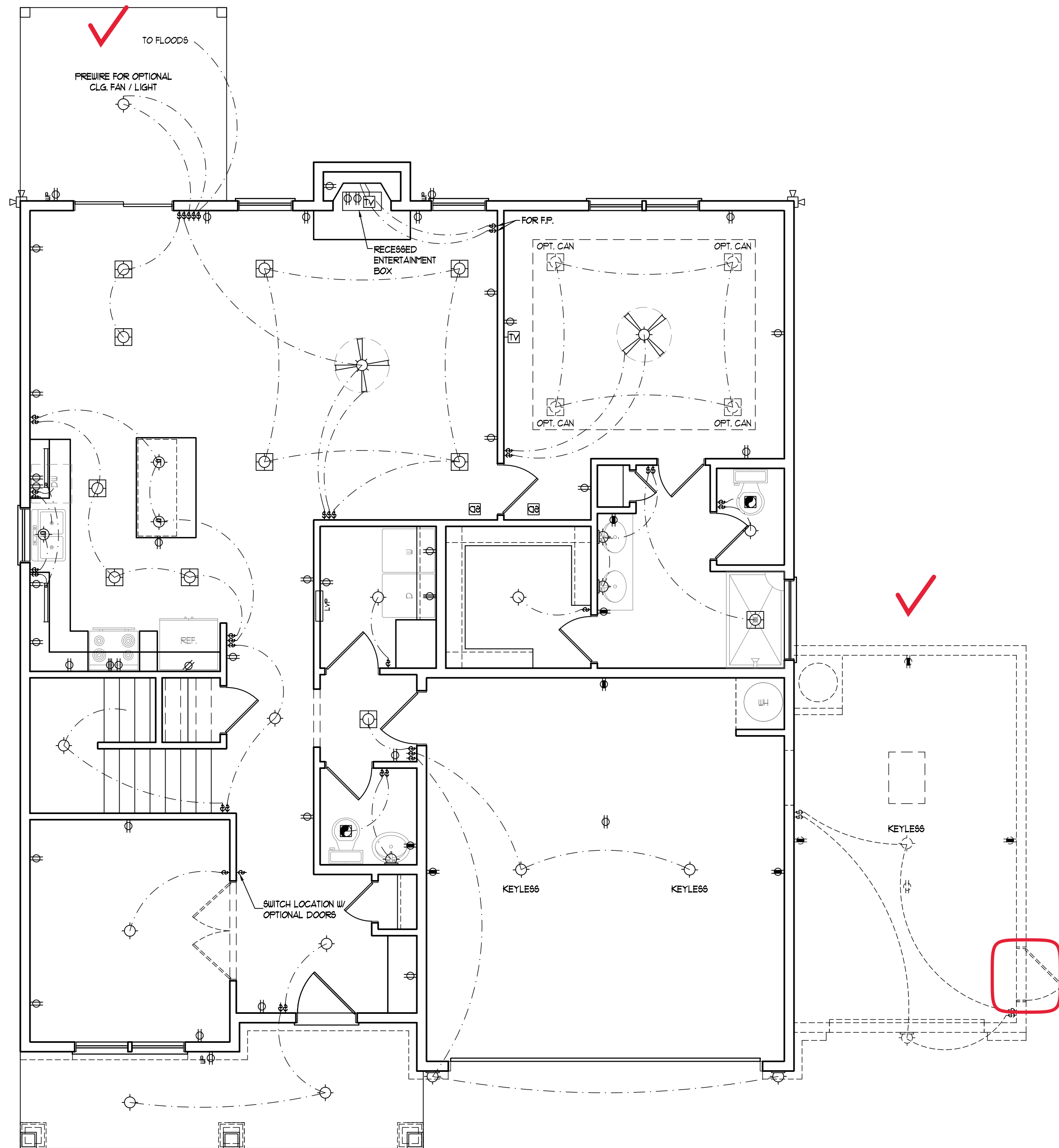
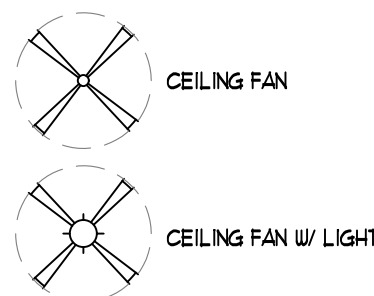
PRICES, PROMOTIONS, INCENTIVES, FEATURES, OPTIONS, FLOOR PLANS, ELEVATIONS, DESIGNS, MATERIALS AND DIMENSIONS ARE SUBJECT TO CHANGE WITHOUT NOTICE. SQUARE FOOTAGE AND DIMENSIONS ARE ESTIMATED AND MAY VARY IN ACTUAL CONSTRUCTION. CONCEPTS, ELEVATION RENDERINGS ARE ARTIST CONCEPTIONS. FLOOR PLANS ARE THE COPYRIGHTED PROPERTY OF J.S. THOMPSON ENGINEERING, INC. REPRODUCTION, MODIFICATION, OR DISTRIBUTION OF THESE PLANS IS PROHIBITED. SEE NEW HOME SELLER'S CONSULTANT FOR CURRENT DETAILS. COPYRIGHT 2021 ONSITE HOMES

ELECTRICAL LAYOUT NOTES:

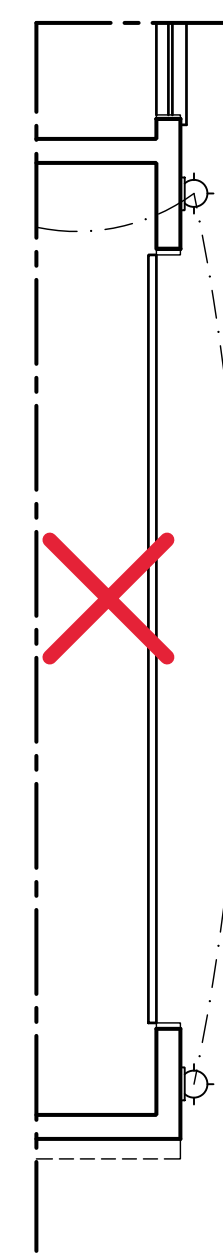
- 1) BLOCK AND WIRE FOR ALL CEILING FANS PER PLAN.
- 2) VANITY LIGHTS TO BE SET # 30" AFF. (TYP.)
- 3) ADDITIONAL EXTERIOR OUTLETS REQUIRED BY CODE TO BE LOCATED BY ELECTRICIAN.
- 4) PLACE SWITCHES 8" (MIN) FROM ROUGH OPENINGS.

ELECTRICAL LEGEND

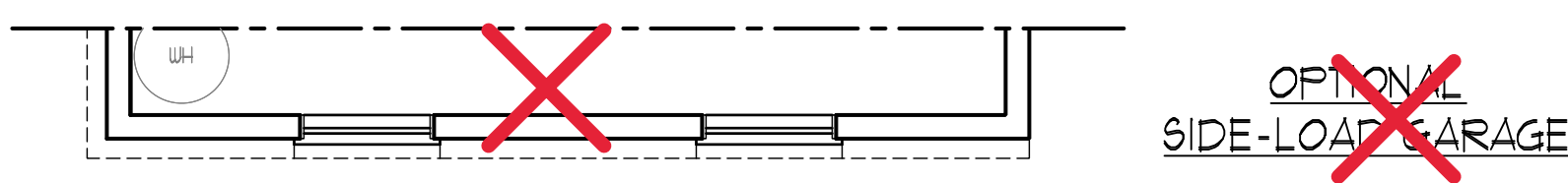
- ⊕ 110 V OUTLET
- ⊕ 110 V GFI OUTLET
- ⊕ 110 V SWITCHED OUTLET
- ⊕ 110 V BASEBOARD OUTLET
- 4-FLEX
- COUNTER OR FLOOR MOUNTED
- COUNTER OR FLOOR MOUNTED 110V GFI
- WEATHERPROOF
- 220 V OUTLET
- 110 V DEDICATED CIRCUIT
- 220 V DEDICATED CIRCUIT
- SPECIAL PURPOSE (240 V, ETC.)
- WALL MOUNT LIGHT
- CEILING MOUNT LIGHT
- PENDANT LIGHT
- RECESSED CAN LIGHT
- MINI CAN LIGHT
- EYEBALL LIGHT
- FLUORESCENT LIGHT
- UNDERCABINET LIGHT
- FLOOD LIGHT
- SWITCH
- 3-WAY SWITCH
- 4-WAY SWITCH
- DIMMER SWITCH
- TELEPHONE
- TV CONNECTION
- CONDUIT FOR COMPONENT WIRING
- SPEAKER
- DOORBELL CHIME
- 110 V SMOKE DETECTOR
- EXHAUST FAN
- LOW VOLTAGE PANEL



~~OPTIONAL MASTER BATH~~



~~OPTIONAL SIDE-LOAD GARAGE~~



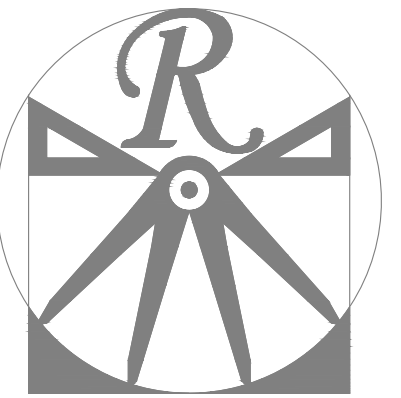
~~OPTIONAL SIDE-LOAD GARAGE~~

ONSITE HOMES
BURLEIGH
DRIVE RIGHT

DATE: JUNE 8, 2021
REV.:
SCALE: 1/4"=1'-0"
DRAWN BY: WG
ENGINEERED BY: WFB
REVIEWED BY: MGS

FIRST FLOOR
ELECTRICAL
PLAN

E-1



RENAISSANCE
RESIDENTIAL DESIGN, INC.

RALEIGH, NC 27612
(919) 829-1198
WWW.RRDCAROLINA.COM

"The art of transforming your vision into reality."

RENAISSANCE RESIDENTIAL DESIGN, INC. RESERVES THE RIGHT TO MAKE MODIFICATIONS TO FLOOR PLANS, DIMENSIONS, MATERIALS, AND SPECIFICATIONS WITHOUT NOTICE. THESE DRAWINGS ARE FOR THE PURPOSE OF CONVEYING AN ARCHITECTURAL CONCEPT ONLY.

RENAISSANCE RESIDENTIAL DESIGN, INC. HEREBY EXPRESSLY RESERVES ITS COMMON LAW COPYRIGHT AND OTHER PROPERTY RIGHTS IN THESE PLANS. THESE PLANS AND DRAWINGS ARE NOT TO BE REPRODUCED, CHANGED, OR COPIED IN ANY FORM OR MANNER WITHOUT FIRST OBTAINING THE EXPRESS WRITTEN CONSENT OF RENAISSANCE RESIDENTIAL DESIGN, INC. NOR ARE THEY TO BE ASSIGNED TO ANY THIRD PARTY WITHOUT FIRST OBTAINING SAID WRITTEN PERMISSION AND CONSENT.

J.S. THOMPSON
ENGINEERING, INC.
606 WADE AVE., SUITE 104
RALEIGH, NC 27605
PHONE: (919) 789-9919
FAX: (919) 789-9921
N.C. LICENSE NO.: C1733



PRICES, PROMOTIONS, INCENTIVES, FEATURES, OPTIONS, FLOOR PLANS, ELEVATIONS, DESIGNS, MATERIALS AND DIMENSIONS ARE SUBJECT TO CHANGE WITHOUT NOTICE. SQUARE FOOTAGE AND DIMENSIONS ARE ESTIMATED AND MAY VARY IN ACTUAL CONSTRUCTION. ALL DIMENSIONS, FINISHES, AND LOT WILL BE DETERMINED BY THE SITE PLAN AND/OR PLAT. FLOOR PLANS AND ELEVATION RENDERINGS ARE ARTIST CONCEPTIONS. FLOOR PLANS ARE THE COPYRIGHTED PROPERTY OF ONSITE HOMES. ANY USE, REPRODUCTION, OR MODIFICATION OF THESE DRAWINGS IS STRICTLY PROHIBITED. SEE NEW HOME SALES CONSULTANT FOR CURRENT DETAILS. COPYRIGHT 2021 ONSITE HOMES

ONSITE HOMES
BURLEIGH
DRIVE RIGHT

DATE: JUNE 8, 2021

REV.:

SCALE: 1/4"=1'-0"

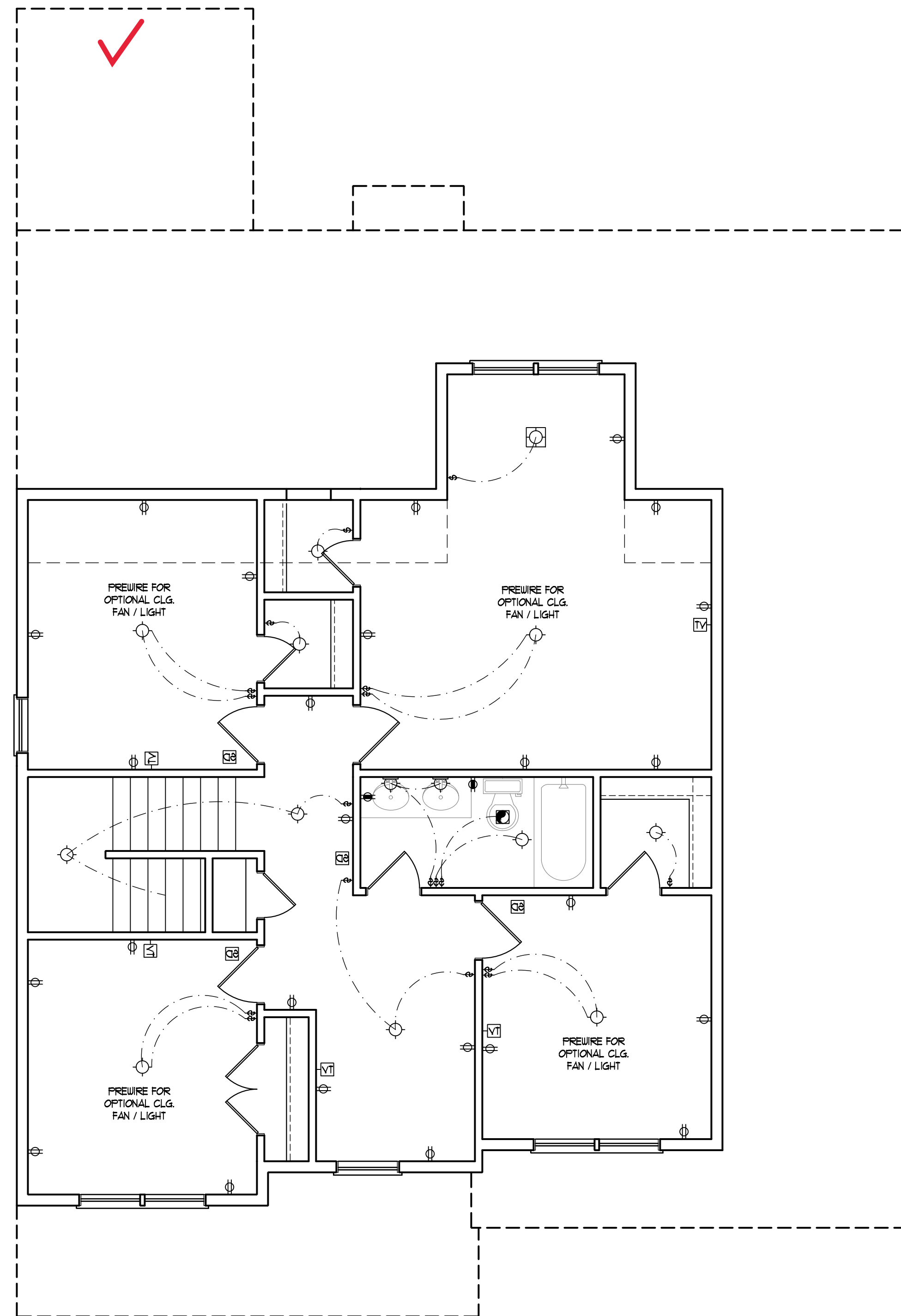
DRAWN BY: WG

ENGINEERED BY: WFB

REVIEWED BY: MGS

OPTIONAL S.F.
ELECTRICAL
PLAN

E-2.1



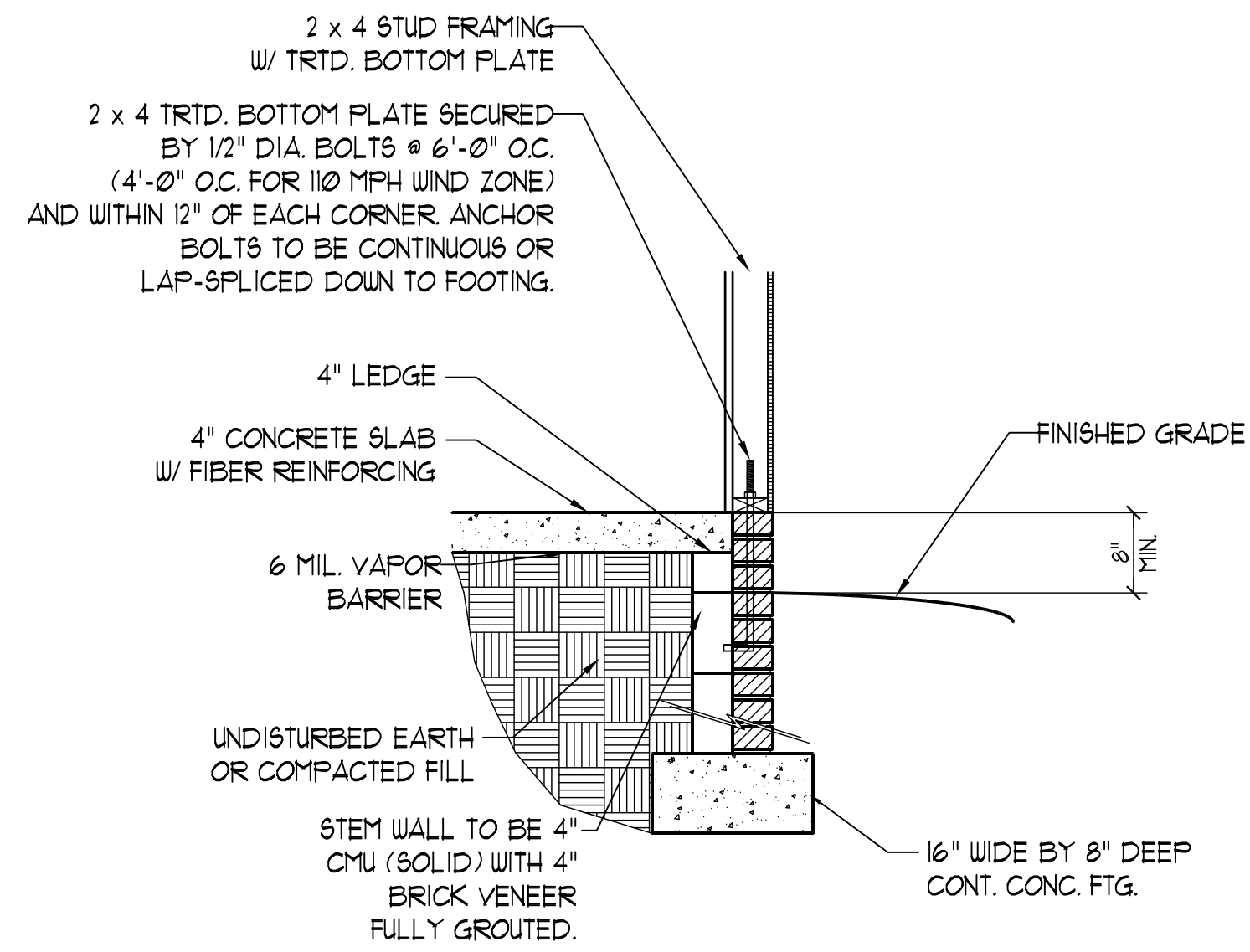
ELECTRICAL LAYOUT NOTES:

- 1) BLOCK AND WIRE FOR ALL CEILING FANS PER PLAN.
- 2) VANITY LIGHTS TO BE SET @ 30" AFF. (TYP.)
- 3) ADDITIONAL EXTERIOR OUTLETS REQUIRED BY CODE TO BE LOCATED BY ELECTRICIAN.
- 4) PLACE SWITCHES 8" (MIN) FROM ROUGH OPENINGS.

ELECTRICAL LEGEND

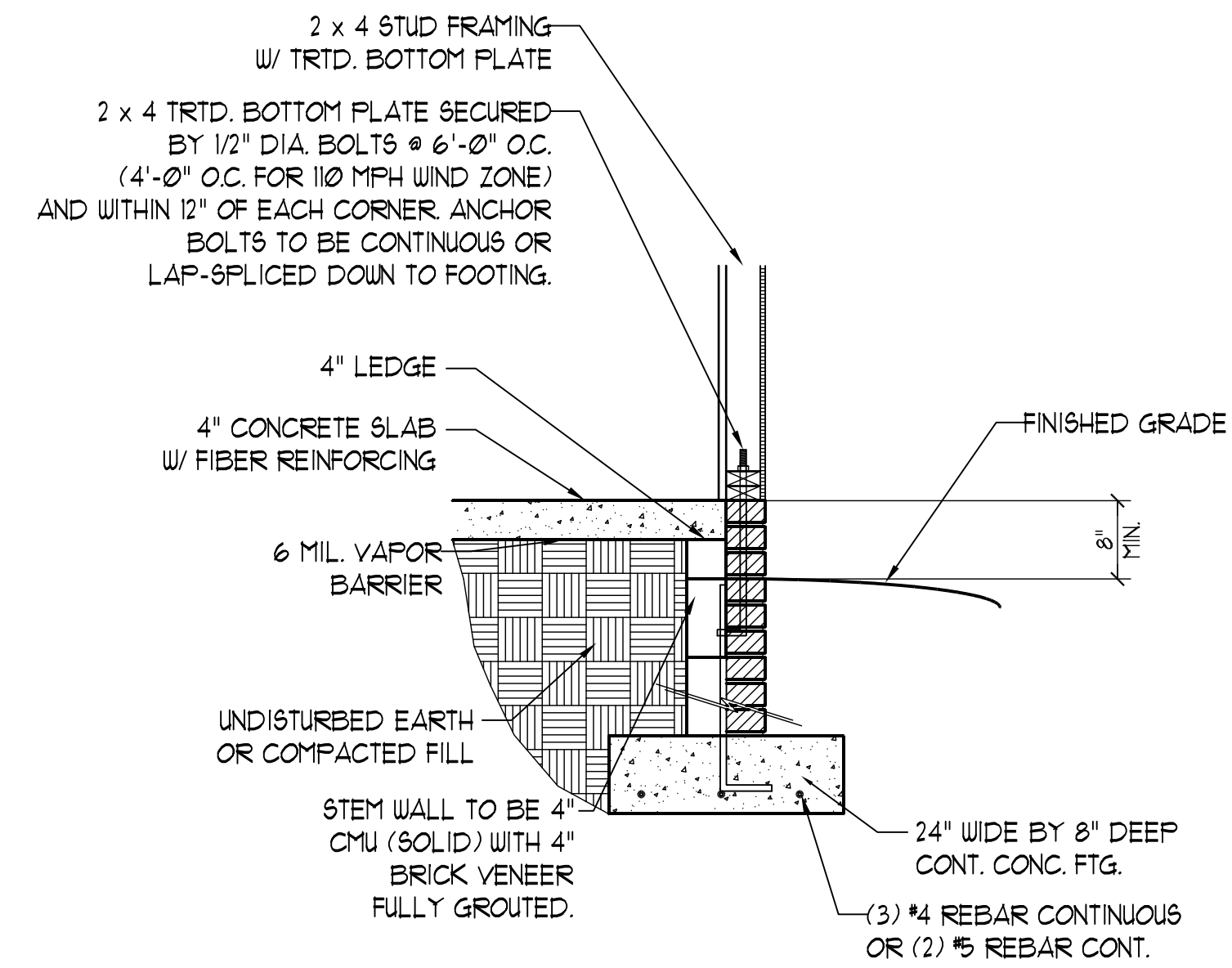
- ⊕ 110 V OUTLET
- ⊕ 110 V GFI OUTLET
- ⊕ 110 V SWITCHED OUTLET
- ⊕ 110 V BASEBOARD OUTLET
- ⊕ 4-PLEX
- ⊕ COUNTER OR FLOOR MOUNTED
- ⊕ COUNTER OR FLOOR MOUNTED 110V GFI
- ⊕ WEATHERPROOF
- ⊕ 220 V OUTLET
- ⊕ 110 V DEDICATED CIRCUIT
- ⊕ 220 V DEDICATED CIRCUIT
- ⊕ SPECIAL PURPOSE (240 V, ETC.)
- ⊕ WALL MOUNT LIGHT
- ⊕ CEILING MOUNT LIGHT
- ⊕ PENDANT LIGHT
- ⊕ RECESSED CAN LIGHT
- ⊕ MINI CAN LIGHT
- ⊕ EYEBALL LIGHT
- ⊕ FLUORESCENT LIGHT
- ⊕ UNDERCABINET LIGHT
- ⊕ FLOOD LIGHT
- ⊕ SWITCH
- ⊕ 3-WAY SWITCH
- ⊕ 4-WAY SWITCH
- ⊕ DIMMER SWITCH
- ⊕ TELEPHONE
- ⊕ TV CONNECTION
- ⊕ CONDUIT FOR COMPONENT WIRING
- ⊕ CARBON MONOXIDE DETECTOR
- ⊕ DOORBELL CHIME
- ⊕ 110 V SMOKE DETECTOR
- ⊕ EXHAUST FAN
- ⊕ LOW VOLTAGE PANEL
- ⊕ CEILING FAN
- ⊕ CEILING FAN w/ LIGHT

90-110 MPH WIND ZONE



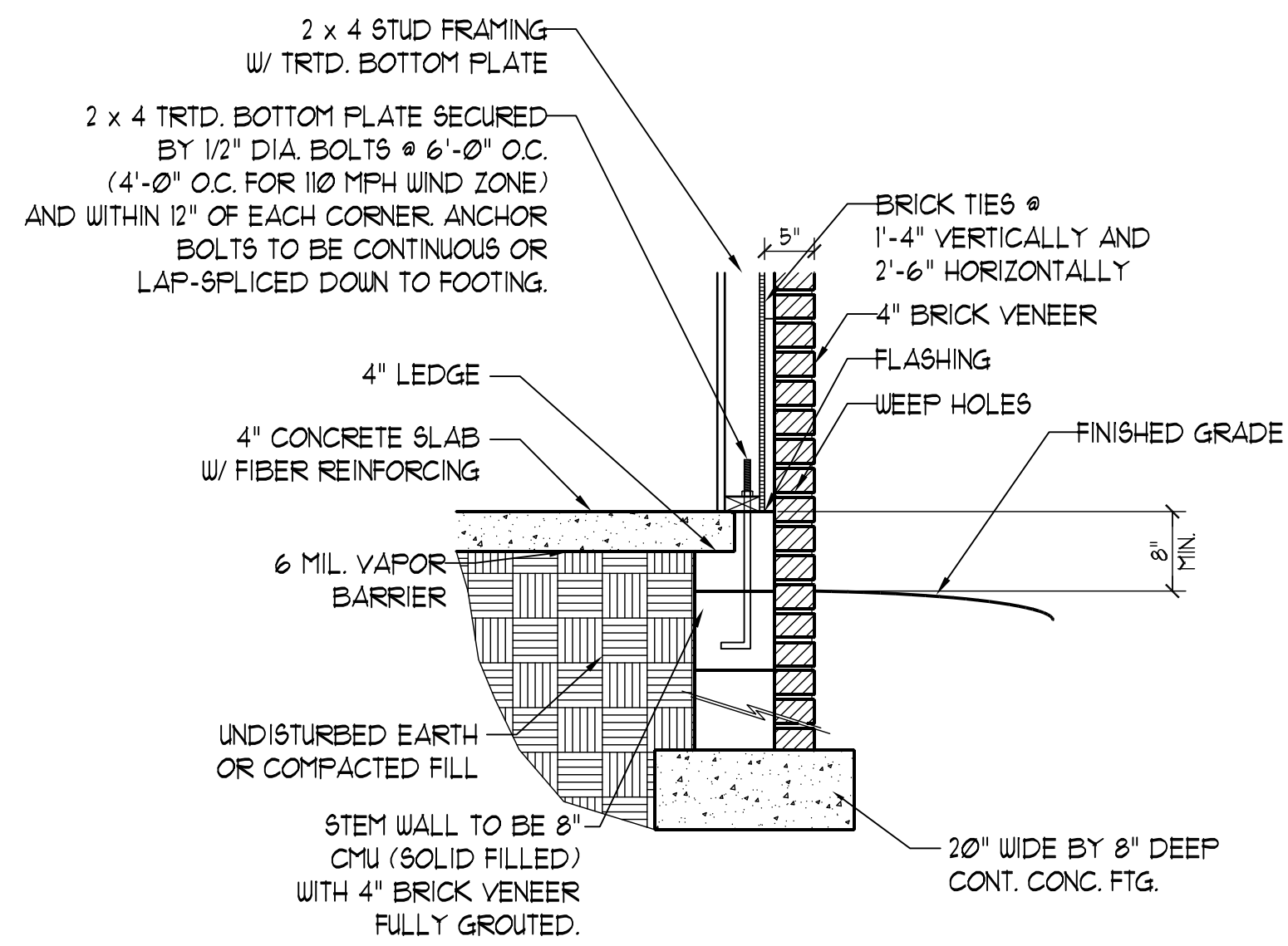
STEM WALL FDN. DETAIL
w/ SIDING VENEER

120-130 MPH WIND ZONE

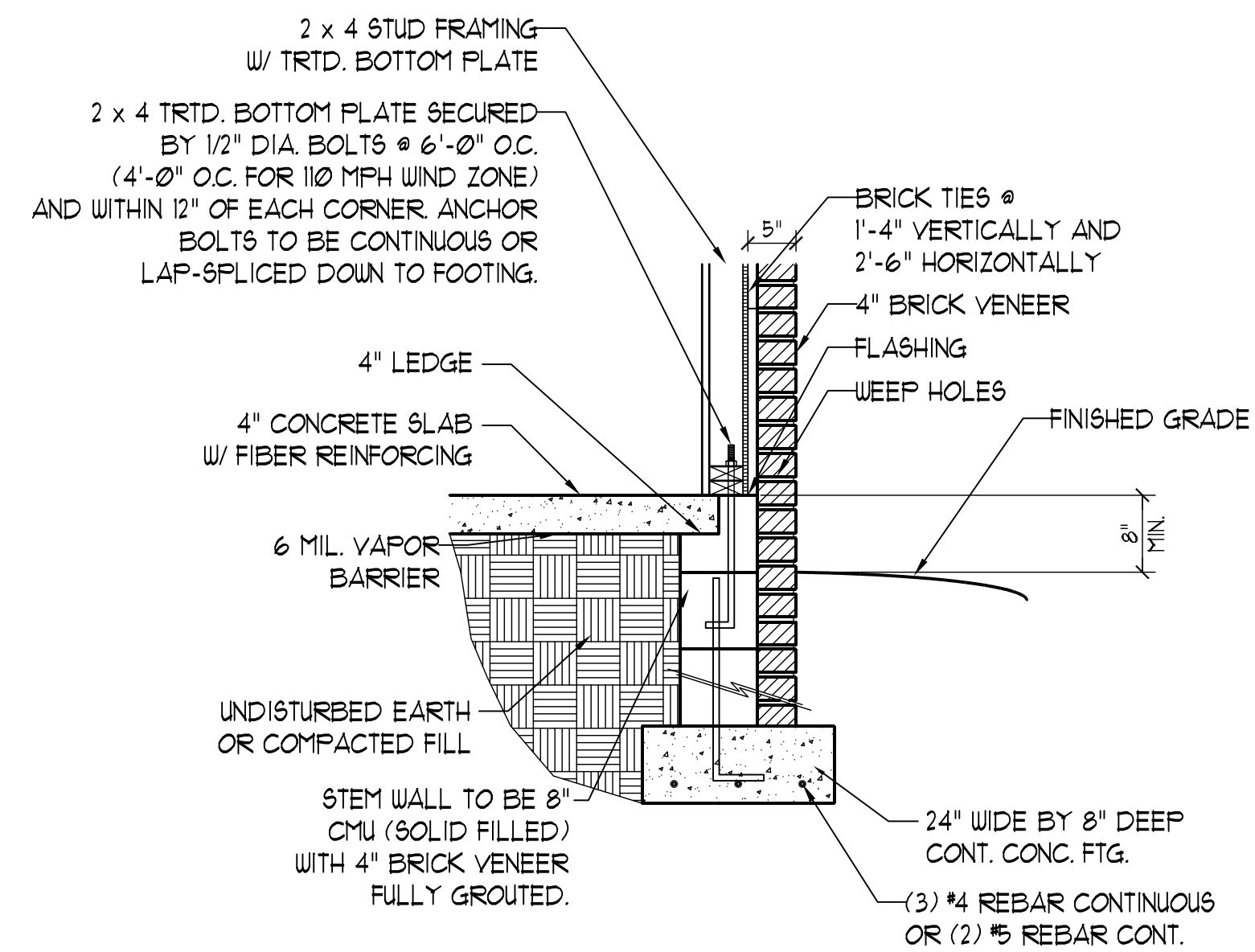


STEM WALL FDN. DETAIL
w/ SIDING VENEER

FOR 120-130 MPH WIND ZONES DOUBLE
SILL PLATES MUST BE INSTALLED



STEM WALL FDN. DETAIL
w/ BRICK VENEER



STEM WALL FDN. DETAIL
w/ BRICK VENEER

SEAL
33736
ENGINEER
MATTHEW G. STOTNER
10/2/14

J.S. THOMPSON
ENGINEERING, INC.
606 WADE AVE., SUITE 104 RALEIGH, NC 27605
PHONE: (919) 789-9919 FAX: (919) 789-9921
N.C. LICENSE NO.: C-1733

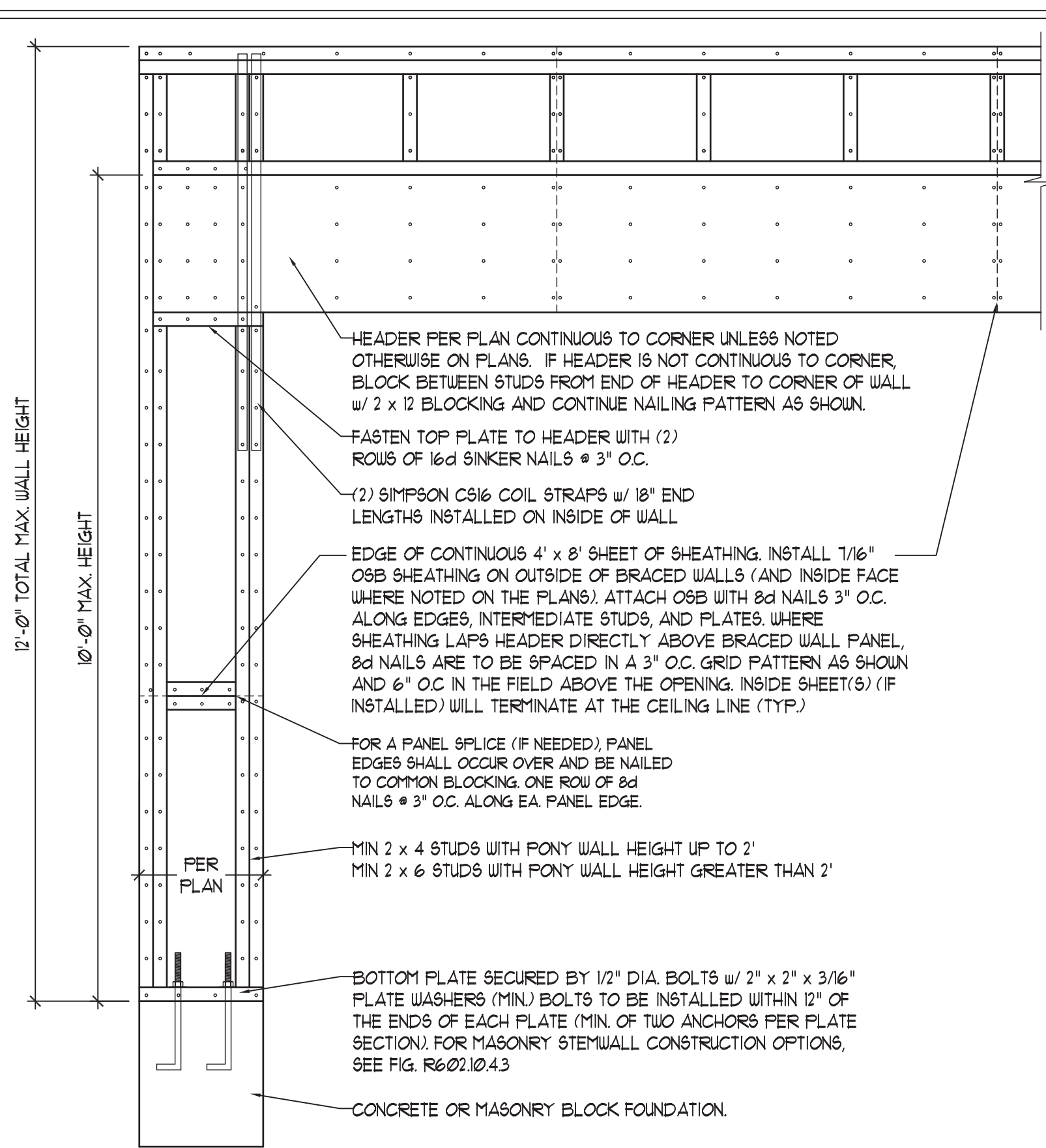
STANDARD STEM WALL DETAILS

DATE: APRIL 23, 2012
DRAWN BY: JST
ENGINEERED BY: JST
REVIEWED BY: MGS

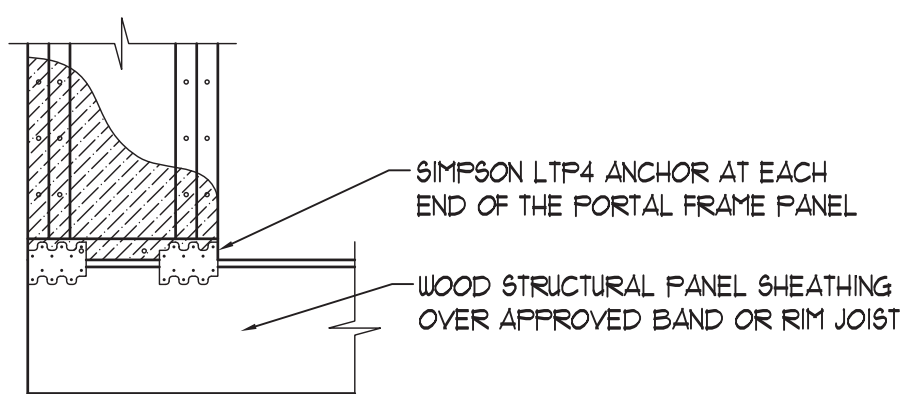
SHEET: DETAILS
STEM WALL
FDN. DETAILS

GENERAL WALL BRACING NOTES:

1. WALL BRACING DESIGNED IN ACCORDANCE WITH CHAPTER 6 OF THE 2018 NC RESIDENTIAL BUILDING CODE (NRC). TABLES AND FIGURES REFERENCED ARE FROM THE 2018 NRC.
2. SEE THIS SHEET FOR GENERAL DETAILS. REFER TO THE 2018 NRC FOR ADDITIONAL INFORMATION AS NEEDED.
3. BRACED EXTERIOR WALLS SUPPORTING ROOF TRUSSES AND RAFTERS, INCLUDING STORIES BELOW THE TOP FLOOR, HAVE BEEN DESIGNED PER R602.3.5 (3). WALL SHEATHING AND FASTENERS HAVE BEEN DESIGNED TO RESIST COMBINED UPLIFT AND SHEAR FORCES IN ACCORDANCE WITH ACCEPTED ENGINEERING PRACTICE.
4. SEE STRUCTURAL SHEETS FOR BRACED WALL LOCATIONS, DIMENSIONS, HOLD DOWN TYPE AND LOCATIONS, BRACED WALL LINE KEY WITH WALL DESIGN SUMMARY OF REQUIRED/PROVIDED TOTALS FOR EACH WALL LINE AND ANY SPECIAL NOTES OR REQUIREMENTS.
5. ALL EXTERIOR WALLS ARE TO BE SHEATHED WITH CS-USP IN ACCORDANCE WITH SECTION R602.10.3 UNLESS NOTED OTHERWISE.
6. ALL EXTERIOR AND INTERIOR WALLS TO HAVE 1/2" GYPSUM INSTALLED. WHEN NOT USING METHOD "GB", GYPSUM TO BE FASTENED PER TABLE R102.3.5. METHOD GB TO BE FASTENED PER TABLE R602.10.1.
7. CS-USP REFERS TO THE "CONTINUOUS SHEATHING - WOOD STRUCTURAL PANELS" WALL BRACING METHOD. 1/16" OSB SHEATHING IS TO BE INSTALLED ON ALL EXTERIOR WALLS ATTACHED w/ 6d COMMON NAILS OR 8d (2 1/2" LONG x Ø1/8" DIAMETER) NAILS SPACED 6" O.C. ALONG PANEL EDGES AND 12" O.C. IN THE FIELD (UNO.).
8. GB REFERS TO THE "GYPSUM BOARD" WALL BRACING METHOD. 1/2" (MIN.) GYPSUM WALL BOARD IS TO BE INSTALLED ON BOTH SIDES OF THE BRACED WALL FASTENED WITH 1 1/4" SCREWS OR 1 5/8" NAILS SPACED 1" O.C. ALONG PANEL EDGES INCLUDING TOP AND BOTTOM PLATES AND INTERMEDIATE SUPPORTS (UNO.). VERIFY ALL FASTENER OPTIONS FOR 1/2" AND 5/8" GYPSUM PRIOR TO CONSTRUCTION. FOR INTERIOR FASTENER OPTIONS SEE TABLE R102.3.5. FOR EXTERIOR FASTENER OPTIONS SEE TABLE R602.3(1). EXTERIOR GB TO BE INSTALLED VERTICALLY.
9. REQUIRED BRACED WALL LENGTH FOR EACH SIDE OF THE CIRCUMSCRIBED RECTANGLE ARE INTERPOLATED PER TABLE R602.10.3. METHOD CS-USP CONTRIBUTES ITS ACTUAL LENGTH, METHOD GB CONTRIBUTES 5 ITS ACTUAL LENGTH, AND METHOD PF CONTRIBUTES 15 TIMES ITS ACTUAL LENGTH.

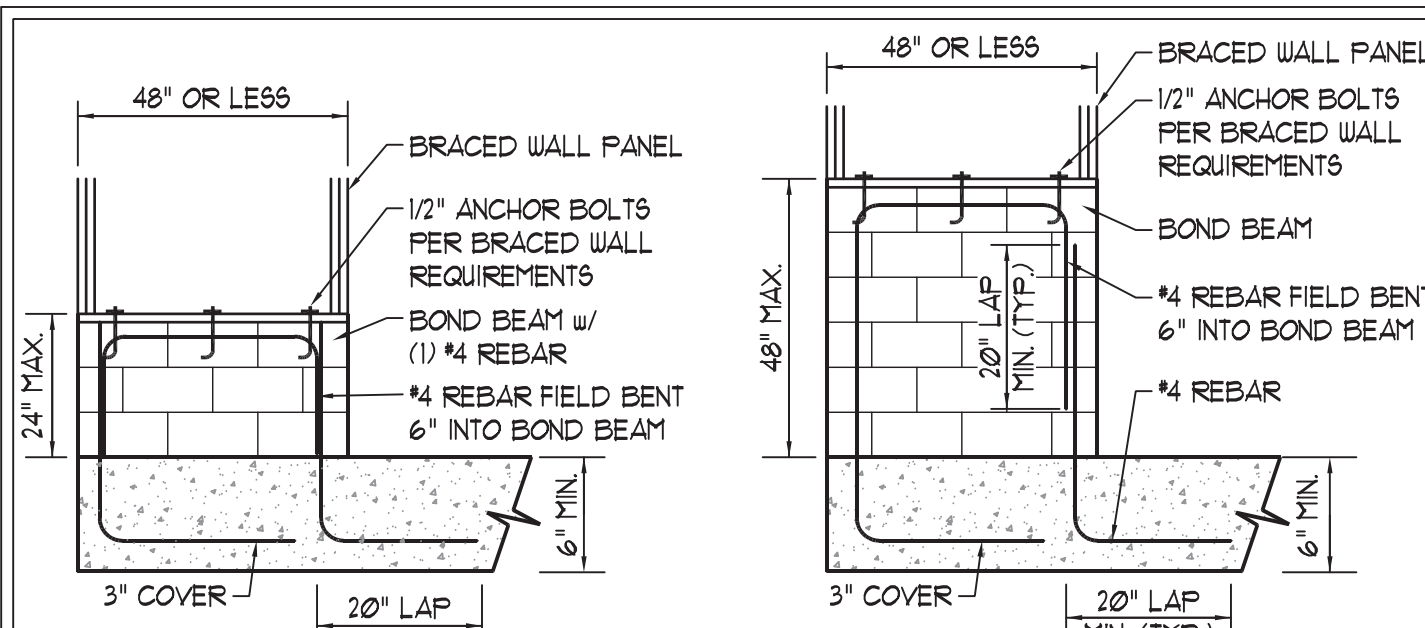


OVER CONCRETE OR MASONRY BLOCK FOUNDATION

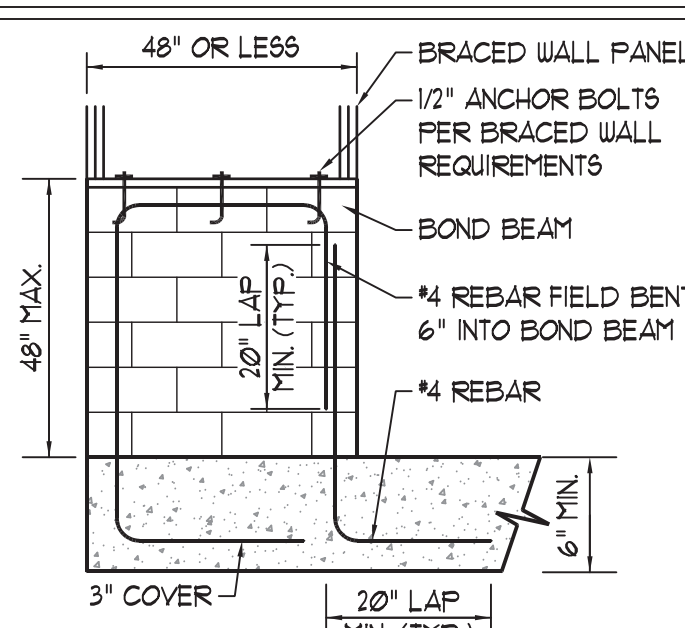


OVER RAISED WOOD FLOOR - FRAMING ANCHOR OPTION
 * APPLICABLE w/ GREATER THAN 12" KNEE WALL HEIGHTS IN CRAWL SPACE AND ABOVE FRAMED BASEMENT WALLS *

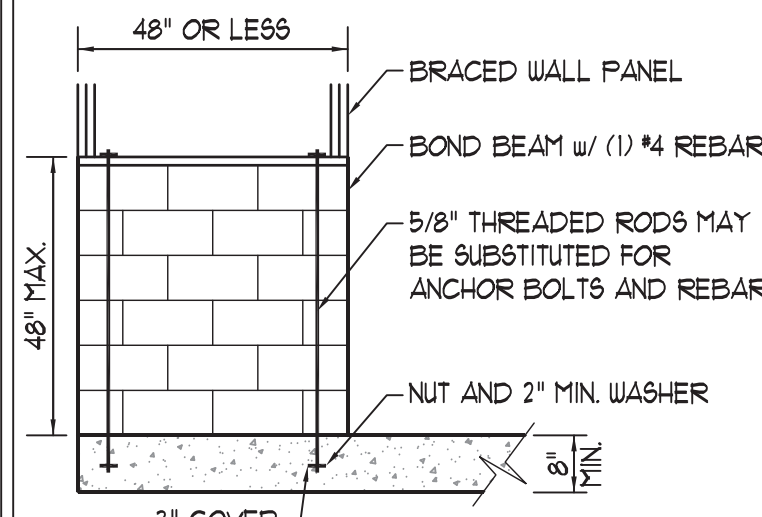
METHOD PF-PORTAL FRAME DETAIL ①



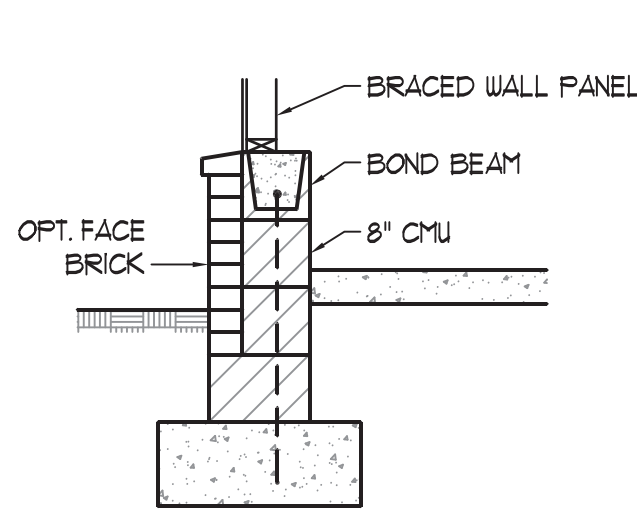
SHORT STEM WALL REINFORCEMENT



TALL STEM WALL REINFORCEMENT



OPTIONAL STEM WALL REINFORCEMENT

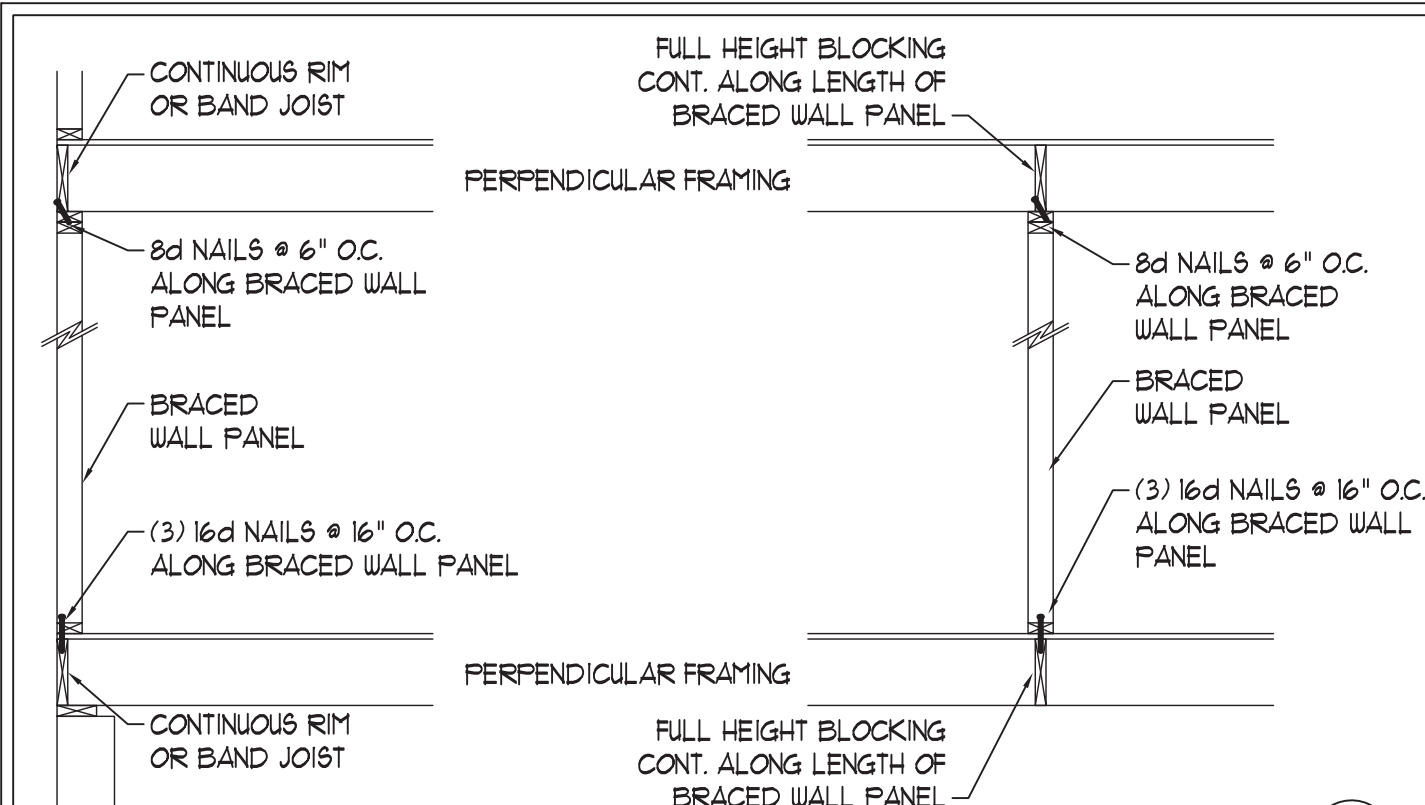


TYPICAL STEM WALL SECTION

NOTE: GROUT BOND BEAMS AND ALL CELLS WHICH CONTAIN REBAR, THREADED RODS AND ANCHOR BOLTS

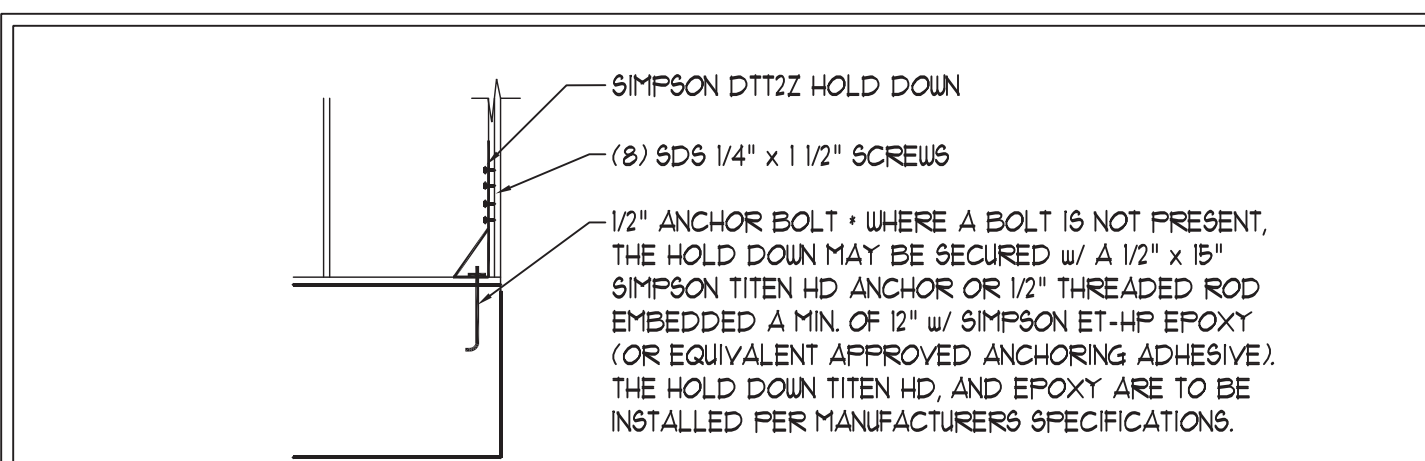
MASONRY STEM WALLS SUPPORTING BRACED WALL PANELS ②

PER FIGURE R602.10.4.3



BRACED WALL PANEL CONNECTION WHEN PERPENDICULAR TO FLOOR/CEILING FRAMING ③

PER FIGURE R602.10.4.4(1)

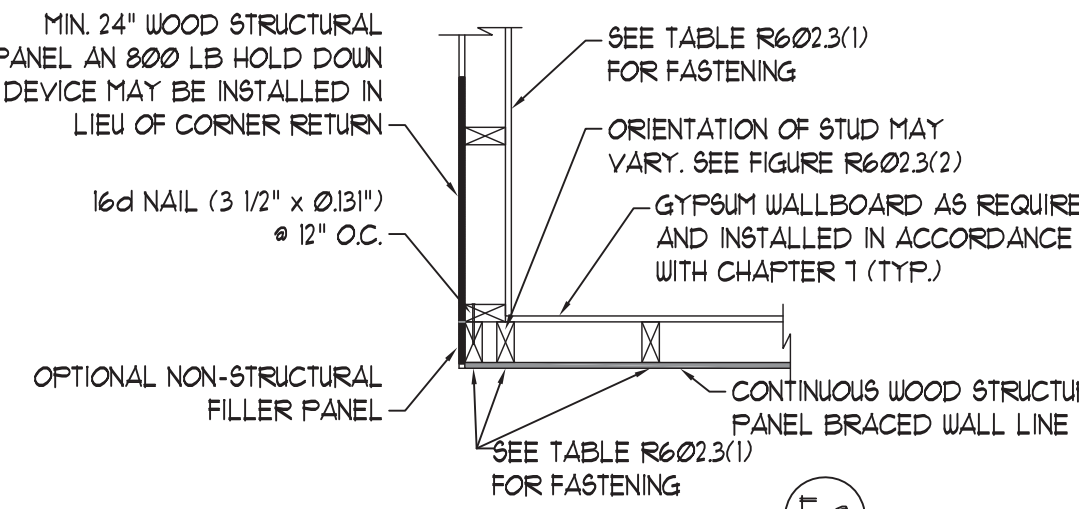


HOLD DOWN DETAIL FOR MASONRY FOUNDATION OR MONOLITHIC SLAB ④

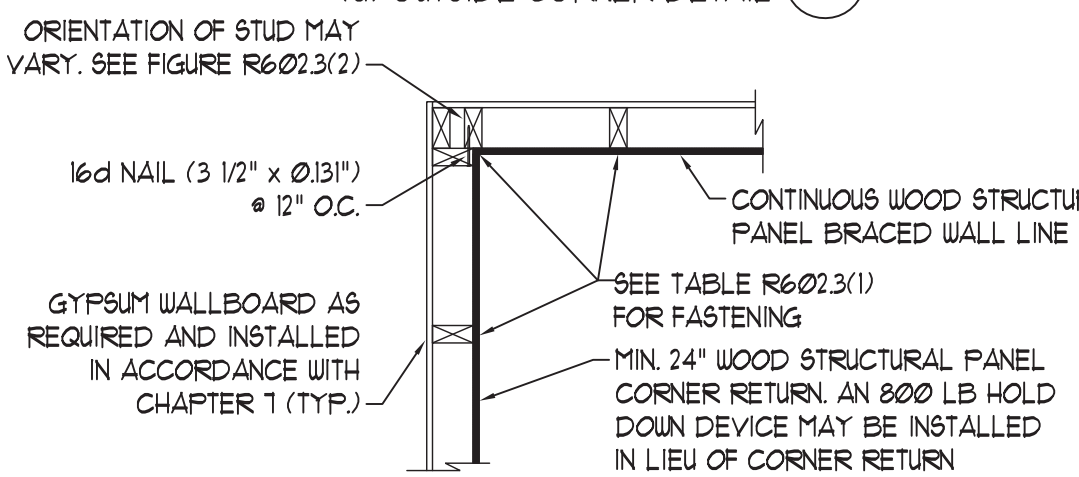
* APPLICABLE ONLY WHERE SPECIFIED ON PLAN *

TYPICAL EXTERIOR CORNER FRAMING FOR CONTINUOUS SHEATHING ⑤

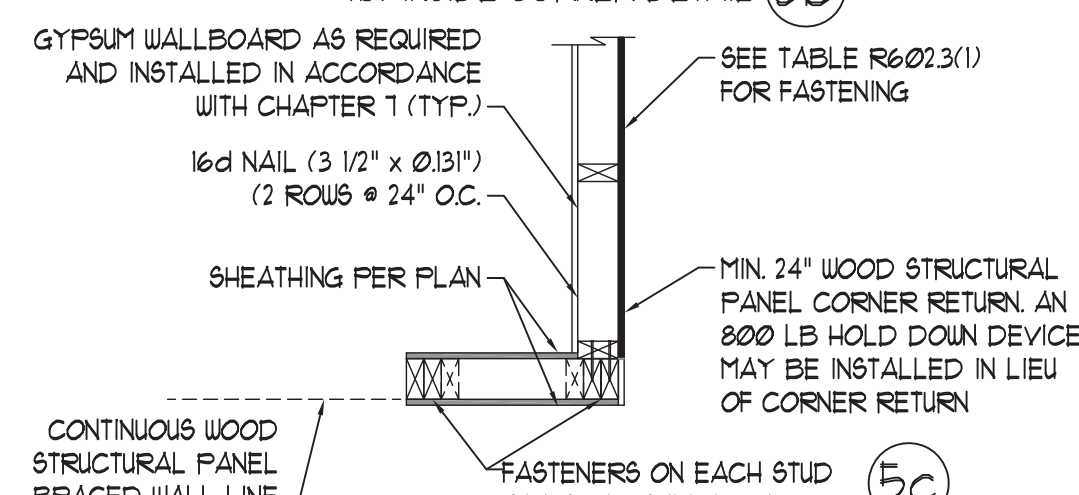
PER FIGURE R602.10.3(5)



(a) OUTSIDE CORNER DETAIL ⑤a



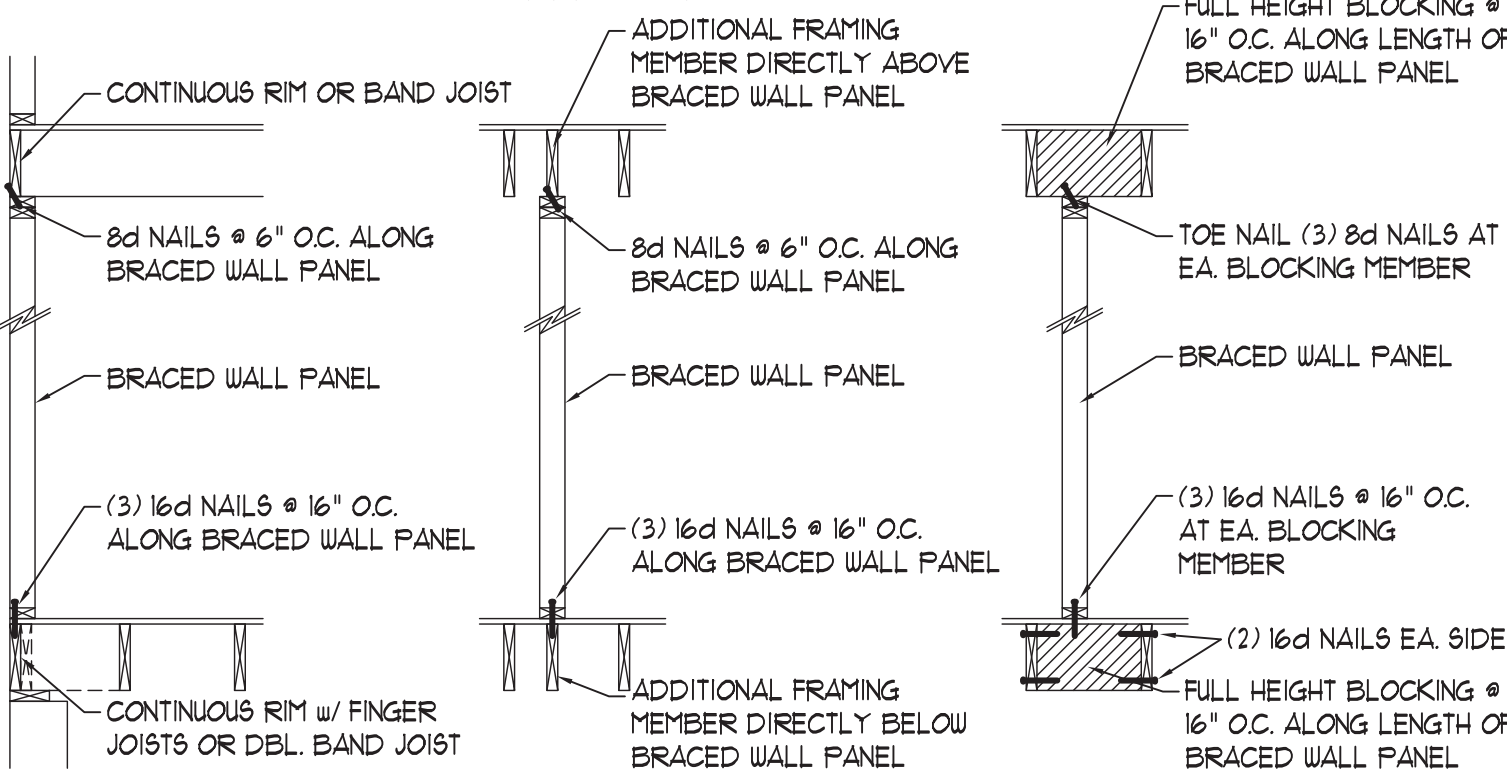
(b) INSIDE CORNER DETAIL ⑤b



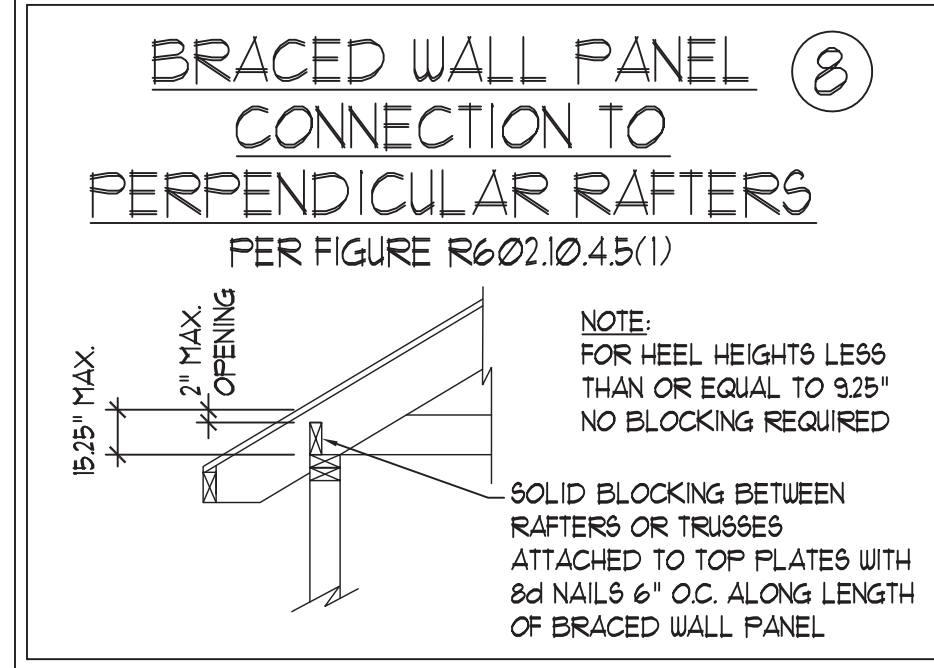
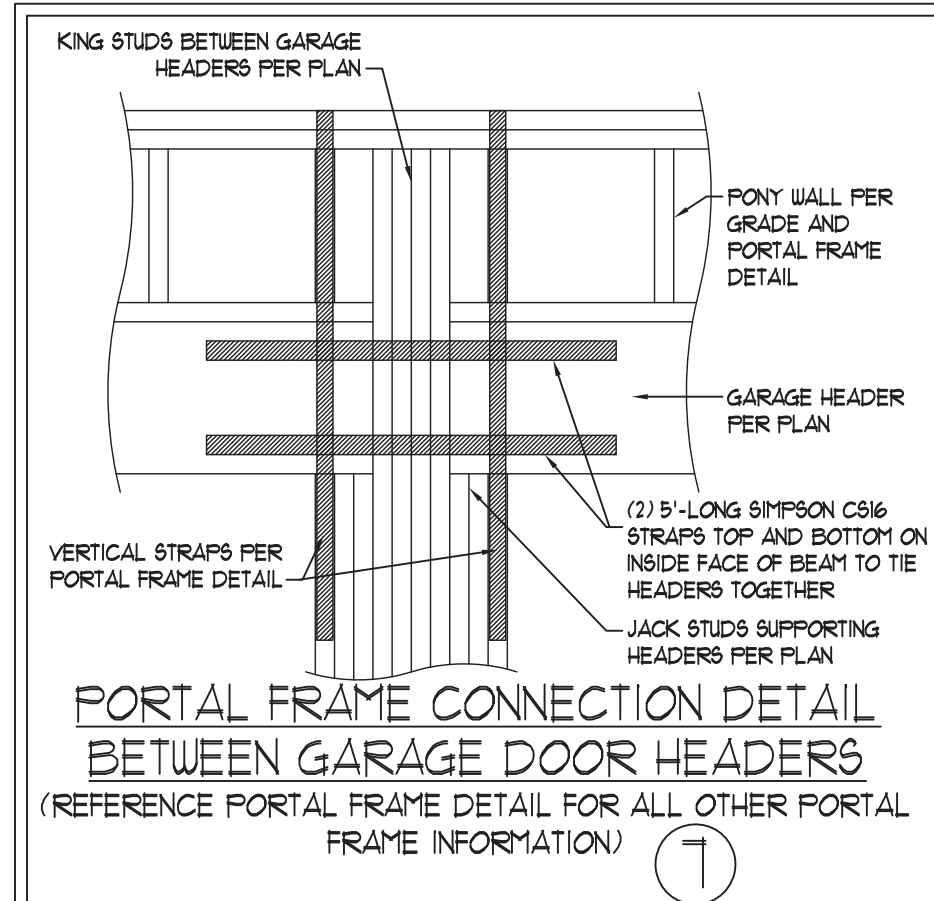
(c) GARAGE DOOR CORNER DETAIL (SEE PLAN FOR ADDITIONAL STRUCTURAL INFORMATION OR ALTERNATE CONFIGURATIONS)

BRACED WALL PANEL CONNECTION WHEN PARALLEL TO FLOOR/CEILING FRAMING ⑥

PER FIG. R602.10.4.4(2)

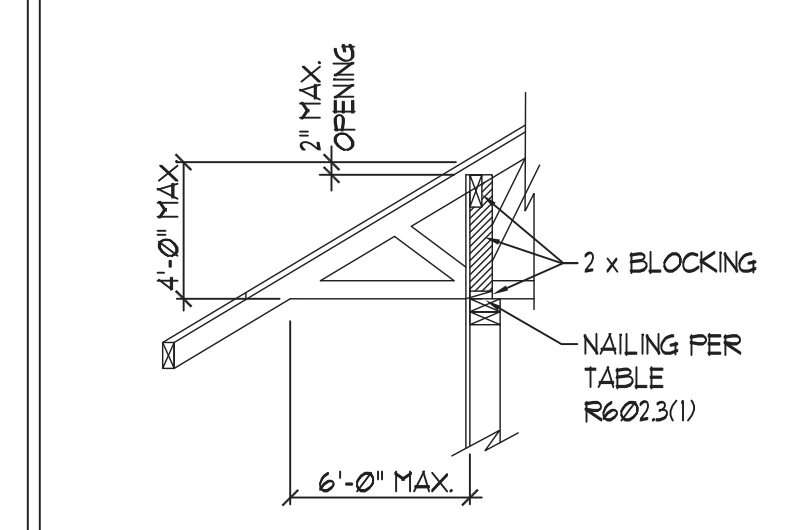


This sealed page is to be used in conjunction with a full plan set engineered by J.S. Thompson Engineering, Inc. only. Use of this individual sealed page within architectural pages or shop drawings by others is a punishable offense under N.C. Statute § 89C-23



BRACED WALL PANEL CONNECTION TO PERPENDICULAR ROOF TRUSSES ⑨

PER FIGURE R602.10.4.5(3) (OR ALTERNATIVE: FIGURE R602.10.4.5(2))



9/28/2020

J.S. THOMPSON ENGINEERING, INC.
 606 WADE AVE., SUITE 104 RALEIGH, NC 27605
 PHONE: (919) 789-9919 FAX: (919) 789-9921
 N.C. LICENSE NO.: C-1733

WALL BRACING NOTES AND DETAILS

DATE: MAY 18, 2020
 SCALE: 1/4" = 1'-0"
 DRAWN BY: JST
 ENGINEERED BY: JST

BRACED WALL NOTES AND DETAILS AND PF DETAIL

GENERAL NOTES

- ENGINEER'S SEAL APPLIES ONLY TO STRUCTURAL COMPONENTS INCLUDING ROOF RAFTERS, HIPs, VALLEYS, RIDGES, FLOORS, WALLS, BEAMS, HEADERS, COLUMNS, CANTILEVERS, OFFSET LOAD BEARING WALLS, PIERS, GIRDER SYSTEM AND FOOTING. ENGINEER'S SEAL DOES NOT CERTIFY DIMENSIONAL ACCURACY OF ARCHITECTURAL LAYOUT INCLUDING ROOF. ENGINEER'S SEAL DOES NOT APPLY TO I-JOIST OR FLOOR/ROOF TRUSS LAYOUT DESIGN AND ACCURACY.
- ALL CONSTRUCTION SHALL CONFORM TO THE LATEST REQUIREMENTS OF THE NORTH CAROLINA RESIDENTIAL CODE (NRC) 2018 EDITION, PLUS ALL LOCAL CODES AND REGULATIONS. THE STRUCTURAL ENGINEER IS NOT RESPONSIBLE FOR, AND WILL NOT HAVE CONTROL OF, CONSTRUCTION MEANS, METHODS, TECHNIQUES, SEQUENCES OR PROCEDURES, OR SAFETY PRECAUTIONS AND PROGRAMS IN CONNECTION WITH THE CONSTRUCTION WORK. NOR WILL THE ENGINEER BE RESPONSIBLE FOR THE CONTRACTORS FAILURE TO CARRY OUT THE CONSTRUCTION WORK IN ACCORDANCE WITH THE CONTRACT DOCUMENTS.
- STRUCTURAL DESIGN BASED ON THE PROVISIONS OF THE NRC, 2018 EDITION (R301.4 - R301.7)

DESIGN CRITERIA:	LIVE LOAD (PSF)	DEAD LOAD (PSF)	DEFLECTION (IN)
ATTIC WITH LIMITED STORAGE	20	10	L/240 (L/360 w/ BRITTLE FINISHES)
ATTIC WITHOUT STORAGE	10	10	L/360
DECKS	40	10	L/360
EXTERIOR BALCONIES	40	10	L/360
FIRE ESCAPES	40	10	L/360
HANDRAILS/GUARDRAILS	200 LB OR 50 (PLF)	10	L/360
PASSENGER VEHICLE GARAGE	50	10	L/360
ROOMS OTHER THAN SLEEPING ROOM	40	10	L/360
SLEEPING ROOMS	30	10	L/360
STAIRS	40	10	L/360
WIND LOAD	(BASED ON TABLE R301.2(4) WIND ZONE AND EXPOSURE)		
GROUND SNOW LOAD: P _g	20 (PSF)		

 - I-JOIST SYSTEMS DESIGNED WITH 12 PSF DEAD LOAD AND DEFLECTION (IN) OF L/480
 - FLOOR TRUSS SYSTEMS DESIGNED WITH 15 PSF DEAD LOAD
- FOR 115 AND 120 MPH WIND ZONES, FOUNDATION ANCHORAGE IS TO COMPLY WITH SECTION R403.1.6 OF THE NRC, 2018 EDITION. FOR 130 MPH, 140 MPH, AND 150 MPH WIND ZONES, FOUNDATION ANCHORAGE IS TO COMPLY WITH SECTION 450.4 OF THE NRC, 2018 EDITION.
- ENERGY EFFICIENCY COMPLIANCE AND INSULATION VALUES OF THE BUILDING TO BE IN ACCORDANCE WITH CHAPTER 11 OF THE NRC, 2018 EDITION.

FOOTING AND FOUNDATION NOTES

- FOUNDATION DESIGN BASED ON A MINIMUM ALLOWABLE BEARING CAPACITY OF 2000 PSF. CONTACT GEOTECHNICAL ENGINEER IF BEARING CAPACITY IS NOT ACHIEVED.
- FOR ALL CONCRETE SLABS AND FOOTINGS, THE AREA WITHIN THE PERIMETER OF THE BUILDING ENVELOPE SHALL HAVE ALL VEGETATION, TOP SOIL AND FOREIGN MATERIAL REMOVED. FILL MATERIAL SHALL BE FREE OF VEGETATION AND FOREIGN MATERIAL. THE FILL SHALL BE COMPACTED TO ASSURE UNIFORM SUPPORT OF THE SLAB, AND EXCEPT WHERE APPROVED, THE FILL DEPTHS SHALL NOT EXCEED 24" FOR CLEAN SAND OR GRAVEL. A 4" THICK BASED COURSE CONSISTING OF CLEAN GRADED SAND OR GRAVEL SHALL BE PLACED. A BASE COURSE IS NOT REQUIRED WHERE A CONCRETE SLAB IS INSTALLED ON WELL-DRAINED OR SAND-GRAVEL MIXTURE SOILS CLASSIFIED AS GROUP 1, ACCORDING TO THE UNITED SOIL CLASSIFICATION SYSTEM IN ACCORDANCE WITH TABLE R405.1 OF THE NRC, 2018 EDITION.
- PROPERLY DEWATER EXCAVATION PRIOR TO POURING CONCRETE WHEN BOTTOM OF CONCRETE SLAB IS AT OR BELOW WATER TABLE. IF APPLICABLE, 3/4" - 1" DEEP CONTROL JOINTS ARE TO BE SAUED WITHIN 4 TO 12 HOURS OF CONCRETE FINISHING AND WALL LOCATIONS HAVE BEEN MARKED. ADJUST WHERE NECESSARY.
- CONCRETE SHALL CONFORM TO SECTION R402.2 OF THE NRC, 2018 EDITION. CONCRETE REINFORCING STEEL TO BE ASTM A615 GRADE 60. WELDED WIRE FABRIC TO BE ASTM A185. MAINTAIN A MINIMUM CONCRETE COVER AROUND REINFORCING STEEL OF 3" IN FOOTINGS AND 1 1/2" IN SLABS. FOR POURED CONCRETE WALLS, CONCRETE COVER FOR REINFORCING STEEL MEASURED FROM THE INSIDE FACE OF THE WALL SHALL NOT BE LESS THAN 3/4". CONCRETE COVER FOR REINFORCING STEEL MEASURED FROM THE OUTSIDE FACE OF THE WALL SHALL NOT BE LESS THAN 1 1/2" FOR #5 BARS OR SMALLER, AND NOT LESS THAN 2" FOR #6 BARS OR LARGER.
- MASONRY UNITS TO CONFORM TO ACE 530/ASCE 5/TMS 402. MORTAR SHALL CONFORM TO ASTM C270.
- THE UNSUPPORTED HEIGHT OF MASONRY PIERS SHALL NOT EXCEED FOUR TIMES THEIR LEAST DIMENSION FOR INFILLED HOLLOW CONCRETE MASONRY UNITS AND TEN TIMES THEIR LEAST DIMENSION FOR SOLID OR SOLID FILLED PIERS. PIERS MAY BE FILLED SOLID WITH CONCRETE OR TYPE M OR S MORTAR. PIERS AND WALLS SHALL BE CAPPED WITH 8" OF SOLID MASONRY.
- THE CENTER OF EACH OF THE PIERS SHALL BEAR IN THE MIDDLE THIRD OF ITS RESPECTIVE FOOTING. EACH GIRDER SHALL BEAR IN THE MIDDLE THIRD OF THE PIERS.
- ALL CONCRETE AND MASONRY FOUNDATION WALLS ARE TO BE CONSTRUCTED IN ACCORDANCE WITH THE PROVISIONS OF SECTION R404 OF THE NRC, 2018 EDITION OR IN ACCORDANCE WITH ACI 318, ACI 332, NCHA TR68-A OR ACE 530/ASCE 5/TMS 402. MASONRY FOUNDATION WALLS ARE TO BE REINFORCED PER TABLE R404.1(1), R404.1(2), R404.1(3), OR R404.1(4) OF THE NRC, 2018 EDITION. CONCRETE FOUNDATION WALLS ARE TO BE REINFORCED PER TABLE R404.1(5) OF THE NRC, 2018 EDITION. STEEP CONCRETE FOUNDATION WALLS TO 2 x 6 FRAMED WALLS AT 16" O.C. WHERE GRADE PERMITS (UNO).

This sealed page is to be used in conjunction with a full plan set engineered by J.S. Thompson Engineering, Inc. only. Use of this individual sealed page within architectural pages or shop drawings by others is a punishable offense under N.C. Statute § 89C-23

FRAMING NOTES

- ALL FRAMING LUMBER SHALL BE #2 SFF MINIMUM (F_b = 875 PSF, F_v = 375 PSF, E = 1600000 PSF) UNLESS NOTED OTHERWISE (UNO). ALL TREATED LUMBER SHALL BE #2 SYP MINIMUM (F_b = 975 PSF, F_v = 175 PSF, E = 1600000 PSF) UNLESS NOTED OTHERWISE (UNO).
- LAMINATED VENEER LUMBER (LVL) SHALL HAVE THE FOLLOWING MINIMUM PROPERTIES: F_b = 2600 PSF, F_v = 285 PSF, E = 1900000 PSF. LAMINATED STRAND LUMBER (LSL) SHALL HAVE THE FOLLOWING MINIMUM PROPERTIES: F_b = 2375 PSF, F_v = 310 PSF, E = 1550000 PSF. PARALLEL STRAND LUMBER (PSL) UP TO 1" DEPTH SHALL HAVE THE FOLLOWING MINIMUM PROPERTIES: F_c = 2500 PSF, E = 1800000 PSF. PARALLEL STRAND LUMBER (PSL) MORE THAN 1" DEPTH SHALL HAVE THE FOLLOWING MINIMUM PROPERTIES: F_c = 2900 PSF, E = 2000000 PSF. INSTALL ALL CONNECTIONS PER MANUFACTURER'S SPECIFICATIONS.
- STRUCTURAL STEEL SHALL CONFORM TO THE FOLLOWING ASTM SPECIFICATIONS

A. W AND WT SHAPES:	ASTM A992
B. CHANNELS AND ANGLES:	ASTM A36
C. FLATES AND BARS:	ASTM A36
D. HOLLOW STRUCTURAL SECTIONS:	ASTM A500 GRADE B
E. STEEL PIPE:	ASTM A53, GRADE B, TYPE E OR S
- STEEL BEAMS SHALL BE SUPPORTED AT EACH END WITH A MINIMUM BEARING LENGTH OF 3 1/2" AND FULL FLANGE WIDTH (UNO). PROVIDE SOLID BEARING FROM BEAM SUPPORT TO FOUNDATION. BEAMS SHALL BE ATTACHED AT THE BOTTOM FLANGE TO EACH SUPPORT AS FOLLOWS (UNO):

A. WOOD FRAMING	(2) 1/2" DIA. x 4" LONG LAG SCREWS
B. CONCRETE	(2) 1/2" DIA. x 4" WEDGE ANCHORS
C. MASONRY (FULLY GROUTED)	(2) 1/2" DIA. x 4" LONG SIMPSON TITEN HD ANCHORS

LATERAL SUPPORT IS CONSIDERED ADEQUATE PROVIDING THE JOISTS ARE TOE NAILED TO THE 2x NAILER ON TOP OF THE STEEL BEAM, AND THE 2x NAILER IS SECURED TO THE TOP OF THE STEEL BEAM w/ (2) ROWS OF SELF TAPPING SCREWS @ 16" O.C. OR (2) ROWS OF 1/2" DIAMETER BOLTS @ 16" O.C. IF 1/2" BOLTS ARE USED TO FASTEN THE NAILER, THE STEEL BEAM SHALL BE FABRICATED w/ (2) ROWS OF 9/16" DIAMETER HOLES @ 16" O.C.
- SQUARES DENOTE POINT LOADS WHICH REQUIRE SOLID BLOCKING TO GIRDER OR FOUNDATION. SHADED SQUARES DENOTE POINT LOADS FROM ABOVE WHICH REQUIRE SOLID BLOCKING TO SUPPORTING MEMBER BELOW.
- ALL LOAD BEARING HEADERS TO CONFORM TO TABLE R602.7(1) AND R602.7(2) OF THE NRC, 2018 EDITION OR BE (2) 2 x 6 WITH (1) JACK AND (1) KING STUD EACH END (UNO) WHICHEVER IS GREATER ALL HEADERS TO BE SECURED TO EACH JACK STUD WITH (4) 8d NAILS. ALL BEAMS TO BE SUPPORTED WITH (2) STUDS AT EACH BEARING POINT (UNO). INSTALL KING STUDS PER SECTION R602.15 OF THE NORTH CAROLINA RESIDENTIAL CODE, 2018 EDITION.
- ALL BEAMS, HEADERS, OR GIRDER TRUSSES PARALLEL TO WALL ARE TO BEAR FULLY ON (1) JACK OR (2) STUDS MINIMUM OR THE NUMBER OF JACKS OR STUDS NOTED. ALL BEAMS OR GIRDER TRUSSES PERPENDICULAR TO WALL AND SUPPORTED BY (3) STUDS OR LESS ARE TO HAVE 1 1/2" MINIMUM BEARING (UNO). ALL BEAMS OR GIRDER TRUSSES PERPENDICULAR TO WALL AND SUPPORTED BY MORE THAN (3) STUDS OR OTHER NOTED COLUMN ARE TO BEAR FULLY ON SUPPORT COLUMN FOR ENTIRE WALL DEPTH (UNO). BEAM ENDS THAT BUTT INTO ONE ANOTHER ARE TO EACH BEAR EQUAL LENGTHS (UNO).
- FLITCH BEAMS SHALL BE BOLTED TOGETHER USING 1/2" DIAMETER BOLTS (ASTM A307) WITH WASHERS PLACED AT THREADED END OF BOLT. BOLTS SHALL BE SPACED AT 24" CENTERS (MAXIMUM), AND STAGGERED AT TOP AND BOTTOM OF BEAM (2" EDGE DISTANCE), WITH (2) BOLTS LOCATED AT 6" FROM EACH END (UNO).
- ALL I-JOIST OR TRUSS LAYOUTS ARE TO BE IN COMPLIANCE WITH THE OVERALL DESIGN SPECIFIED ON THE PLANS. ALL DEVIATIONS ARE TO BE BROUGHT TO THE ATTENTION OF THE ENGINEER OF RECORD PRIOR TO INSTALLATION.
- BRACED WALL PANELS SHALL BE CONSTRUCTED ACCORDING TO THE NORTH CAROLINA RESIDENTIAL CODE 2018 EDITION WALL BRACING CRITERIA. THE AMOUNT, LENGTH, AND LOCATION OF BRACING SHALL COMPLY WITH ALL APPLICABLE TABLES IN SECTION R602.10.
- PROVIDE DOUBLE JOIST UNDER ALL WALLS PARALLEL TO FLOOR JOISTS. PROVIDE SUPPORT UNDER ALL WALLS PARALLEL TO FLOOR TRUSSES OR I-JOISTS PER MANUFACTURER'S SPECIFICATIONS. INSTALL BLOCKING BETWEEN JOISTS OR TRUSSES FOR POINT LOAD SUPPORT FOR ALL POINT LOADS ALONG OFFSET LOAD LINES.
- FOR ALL HEADERS SUPPORTING BRICK VENEER THAT ARE LESS THAN 8'-0" IN LENGTH, REST A 6" x 4" x 5/16" STEEL ANGLE WITH 6" MINIMUM EMBEDMENT AT SIDES FOR BRICK SUPPORT (UNO). FOR ALL HEADERS 8'-0" AND GREATER IN LENGTH, BOLT A 6" x 4" x 5/16" STEEL ANGLE TO HEADER WITH 1/2" LAG SCREWS AT 12" O.C. STAGGERED FOR BRICK SUPPORT. FOR ALL BRICK SUPPORT AT ROOF LINES, BOLT A 6" x 4" x 5/16" STEEL ANGLE TO (2) 2 x 10 BLOCKING INSTALLED w/ (4) 12d NAILS EA. PLY BETWEEN WALL STUDS WITH (2) ROWS OF 1/2" LAG SCREWS AT 12" O.C. STAGGERED AND IN ACCORDANCE WITH SECTION R103.2(2) OF THE NRC, 2018 EDITION.
- FOR STICK FRAMED ROOFS, CIRCLES DENOTE (3) 2 x 4 POSTS FOR ROOF MEMBER SUPPORT. HIP SPLICES ARE TO BE SPACED A MINIMUM OF 8'-0". FASTEN MEMBERS WITH THREE ROWS OF 12d NAILS AT 16" O.C. FRAME DORMER WALLS ON TOP OF DOUBLE OR TRIPLE RAFTERS AS SHOWN (UNO).
- FOR TRUSSED ROOFS, FRAME DORMER WALLS ON TOP OF 2 x 4 LADDER FRAMING AT 24" O.C. BETWEEN ADJACENT ROOF TRUSSES. STICK FRAME OVER-FRAMED ROOF SECTIONS WITH 2 x 8 RIDGES, 2 x 6 RAFTERS AT 16" O.C. AND FLAT 2 x 10 VALLEYS (UNO).
- ALL 4 x 4 AND 6 x 6 POSTS TO BE INSTALLED WITH 100 LB CAPACITY UPLIFT CONNECTORS TOP AND BOTTOM (UNO). POSTS MAY BE SECURED USING ONE SIMPSON I46 OR LT92 UPLIFT CONNECTOR FASTENED TO THE BAND AT THE BOTTOM AND THE BEAM AT THE TOP OF EACH POST. ONE 16" SECTION OF SIMPSON C916 COIL STRAPPING WITH (8) 8d HDG NAILS AT EACH END MAY BE USED IN LIEU OF EACH TWIN STRAP IF DESIRED. FOR MASONRY OR CONCRETE FOUNDATION USE SIMPSON POST BASE.



J.S. THOMPSON
ENGINEERING, INC.
606 WADE AVE., SUITE 104 RALEIGH, NC 27605
PHONE: (919) 789-9919 FAX: (919) 789-9921
N.C. LICENSE NO.: C-1733

STANDARD STRUCTURAL NOTES

DATE: OCTOBER 29, 2018
SCALE: 1/4" = 1'-0"
DRAWN BY: JES
ENGINEERED BY: JST

SHEET:
STRUCTURAL NOTES