



**FRONT ELEVATION**

Scale: 1/4" = 1'0"

9'0" CEILING HEIGHT FIRST FLOOR  
(HEADER HEIGHT 7'6")  
8'0" CEILING HEIGHT SECOND FLOOR  
(FRAME HEADERS TO TOP PLATES)  
FRAME WINDOWS TO HEADER HEIGHT



**LEFT ELEVATION**

Scale: 1/8" = 1'0"



**RIGHT ELEVATION**

Scale: 1/8" = 1'0"



**REAR ELEVATION**

Scale: 1/8" = 1'0"

SHEET TITLE:

**ELEVATIONS**

PROJECT ADDRESS:  
533 Solomon Dr.  
Liberty Meadows Lot 73

DESIGNED BY:

Precision Custom Homes  
Raeferd, NC  
Shaun@PrecisionCustomHomesNC.com

DATE:

3/27/24

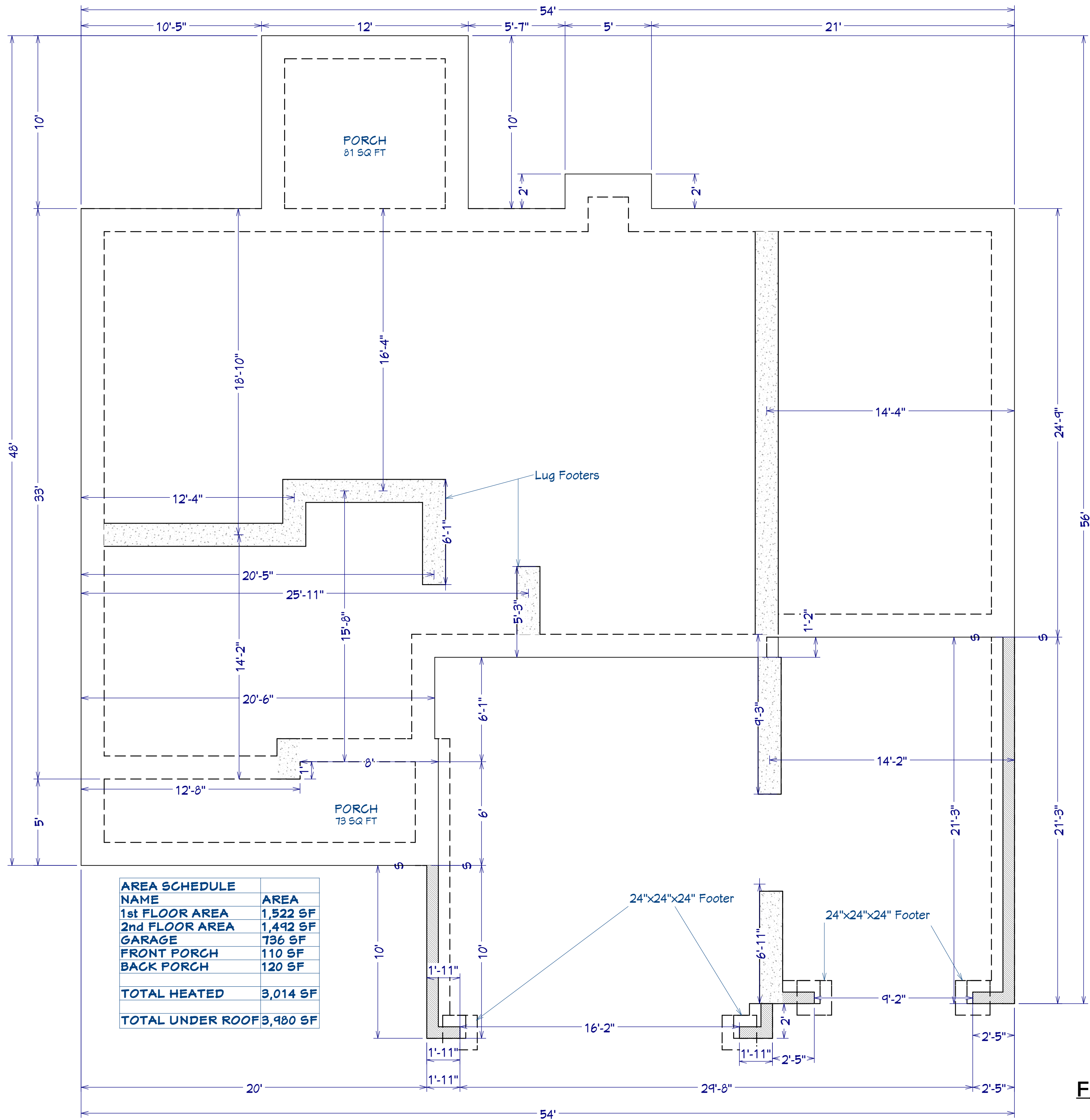
SCALE:

1/4" = 1'

SHEET:

A-1





AREA SCHEDULE	
NAME	AREA
1st FLOOR AREA	1,522 SF
2nd FLOOR AREA	1,492 SF
GARAGE	736 SF
FRONT PORCH	110 SF
BACK PORCH	120 SF
<b>TOTAL HEATED</b>	<b>3,014 SF</b>
<b>TOTAL UNDER ROOF</b>	<b>3,980 SF</b>

**FOUNDATION PLAN**  
Scale: 1/4" = 1'0"

PLAN:  
Liberty 2.0

SHEET TITLE:  
**FOUNDATION**

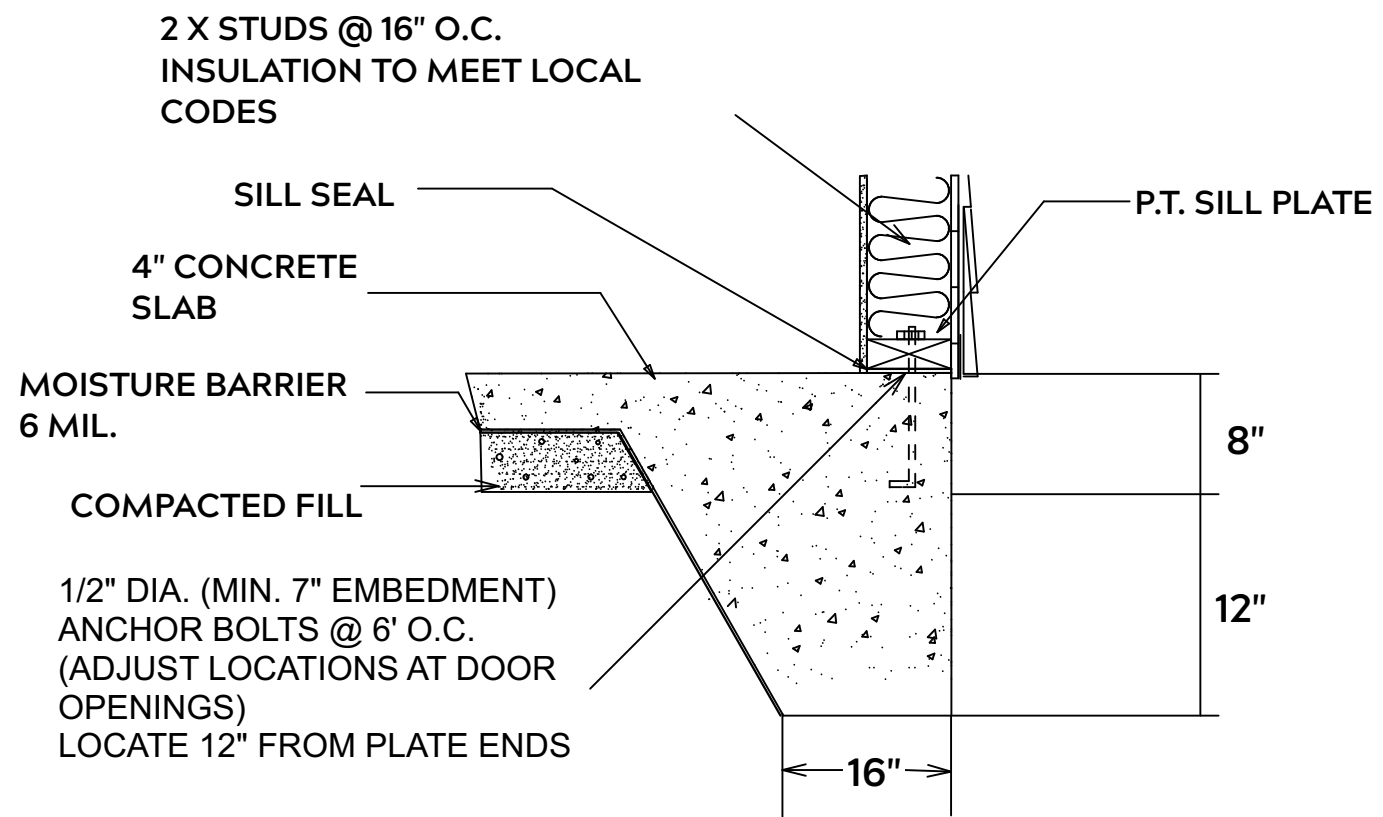
PROJECT ADDRESS:  
533 Solomon Dr.  
Liberty Meadows Lot 73

DESIGNED BY:  
Precision Custom Homes  
RaeFord, NC  
Shaun@PrecisionCustomHomesNC.com

DATE:  
3/27/24

SCALE:  
1/4" = 1'

SHEET:  
**A-2**



**MONOLITHIC SLAB**

**FOUNDATION NOTES:**

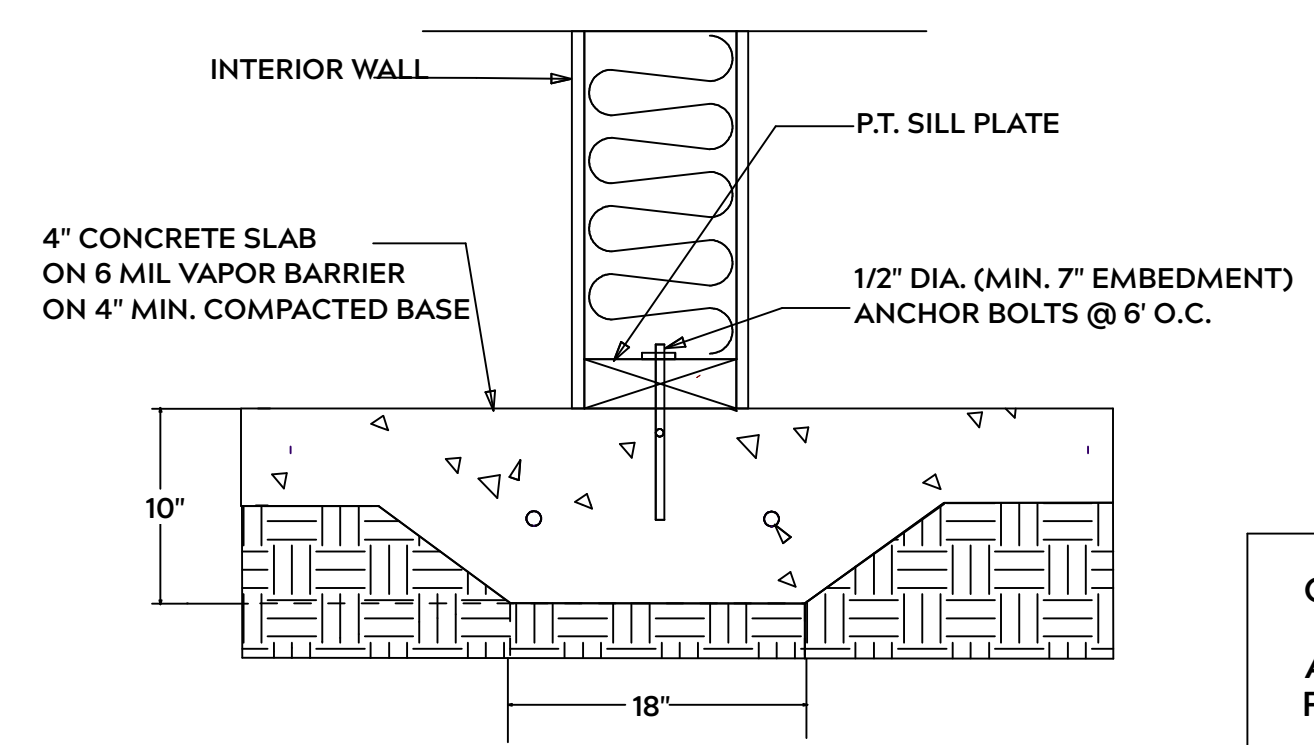
ALL FOOTINGS SHALL BEAR ON ORIGINAL UNDISTURBED SOIL  
THE 28 DAY COMPRESSIVE STRENGTH OF ALL FOOTINGS IS 3000 PSI

PROVIDE WATER PROOFING AND PERIMTER DRAINS AS REQUIRED

FOOTING WIDTHS ARE BASED ON A LOAD BEARING SOIL CAPACITY OF 2000 PSI

PROVIDE 6 MIL POLY VAPOR BARRIER TO COVER GROUND IN CRAWL SPACE AND GROUND UNDER POURED CONCRETE

ALL ANCHOR BOLTS TO BE 1/2" X 12" LONG. ANCHOR BOLTS SHALL BE SPACED AT A MAXIMUM OF 6' ON CENTER AND NO MORE THEN 1' FROM EACH CORNER



**LUG FOOTING**

**GENERAL FRAMING NOTES:**

ALL LUMBER IN CONTACT WITH CONCRETE OR MASONRY SHALLE BE PRESSURE TREATED

FRAMING LUMBER SHALL BE SYP #2 GRADE AND / OR SPRUCE PINE FIR #1 AND / OR KILN DRIED

WHERE PRE-ENGINEERED JOISTS AND TRUSSES ARE USED, MANUFACTURER SHALL PROVIDE DRAWINGS / SCHEMATICS, WHICH SHALL BEAR OF A N.C. ENGINEER

STUDS AND JOISTS SHALL NOT BE CUT TO INSTALL PLUMBING OR WIRING WITHOUT ADDING METAL OR WOOD SIDE PANELS TO STRENGTHEN MEMBER TO ITS ORIGINAL CAPACITY

NAIL MULTIPLE MEMBERS WITH 2 ROWS OF 16d NAILS STAGGERED 32" O.C. AND USE 3 X 16d NAILS 2" IN AT EACH END.

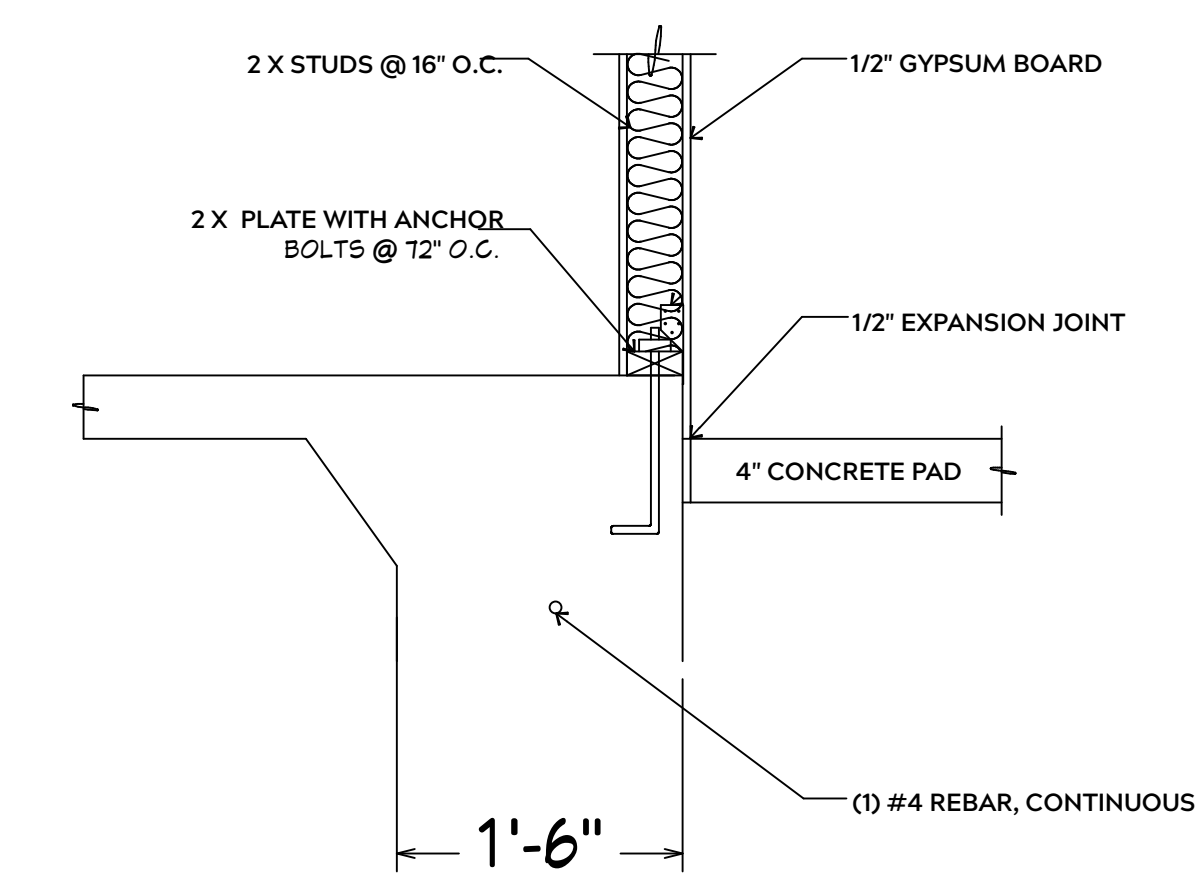
NAIL FLOOR JOISTS TO SILL PLATE WITH WITH 8d TOE NAILS

ALL EXPOSED FRAMING ON PORCHES OR DECKS SHALL BE PRESSURE TREATED

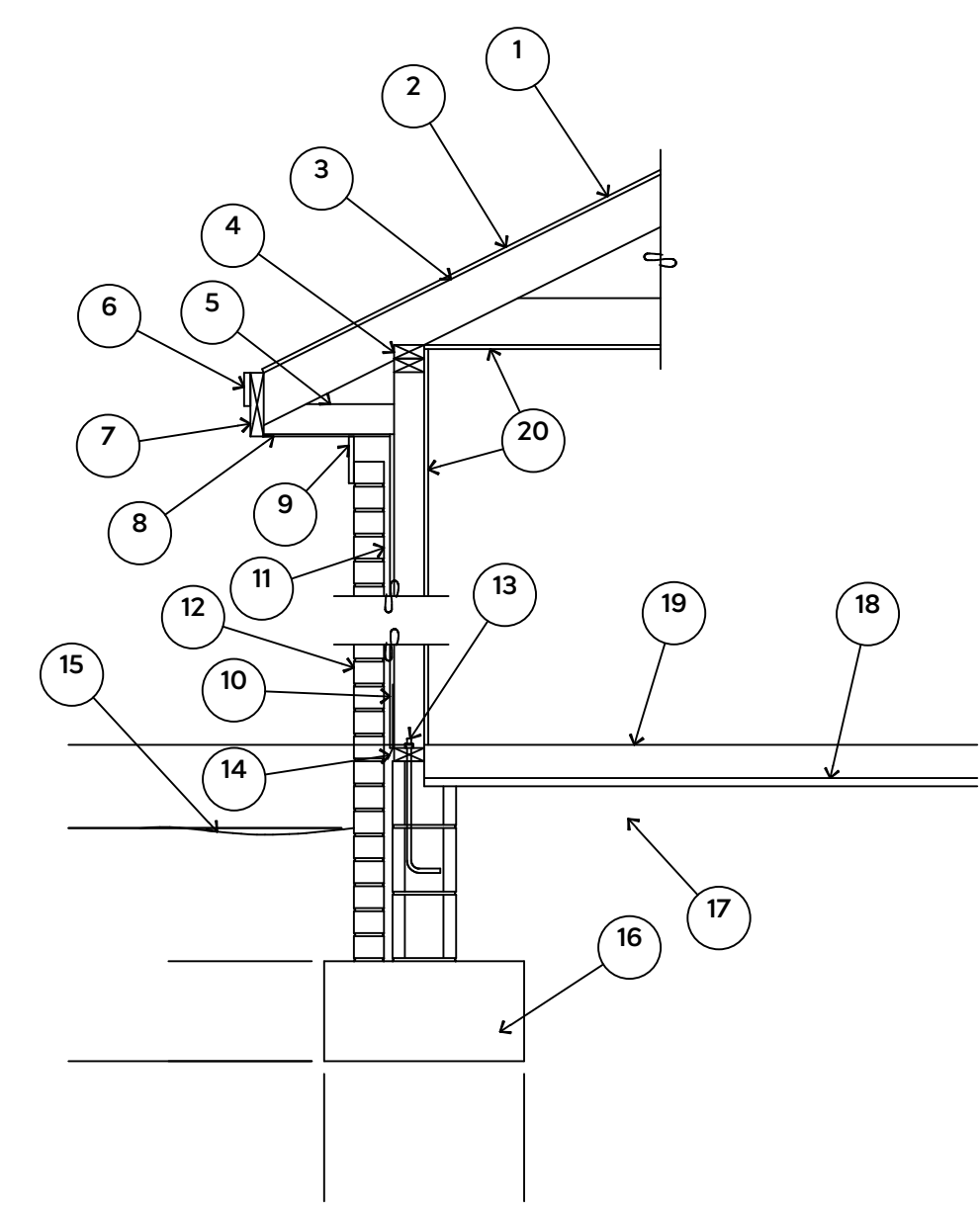
PROVIDE WATERPROOFING AND DRAINS AS REQUIRED

ALL FRAMING TO BE 16" O.C. WALL FRAMING DIMENSIONS ARE BASED ON 2X4 OR 2X6 EXTERIOR WALLS AND 2X4 INTERIOR WALLS. DOULBE / TRIPLE JACK STUDS AS NECESSARY UNDER HEADERS AS REQUIRED

LVL'S TO BE SIZED BY OTHERS (TRUSS MANUFACTURER)

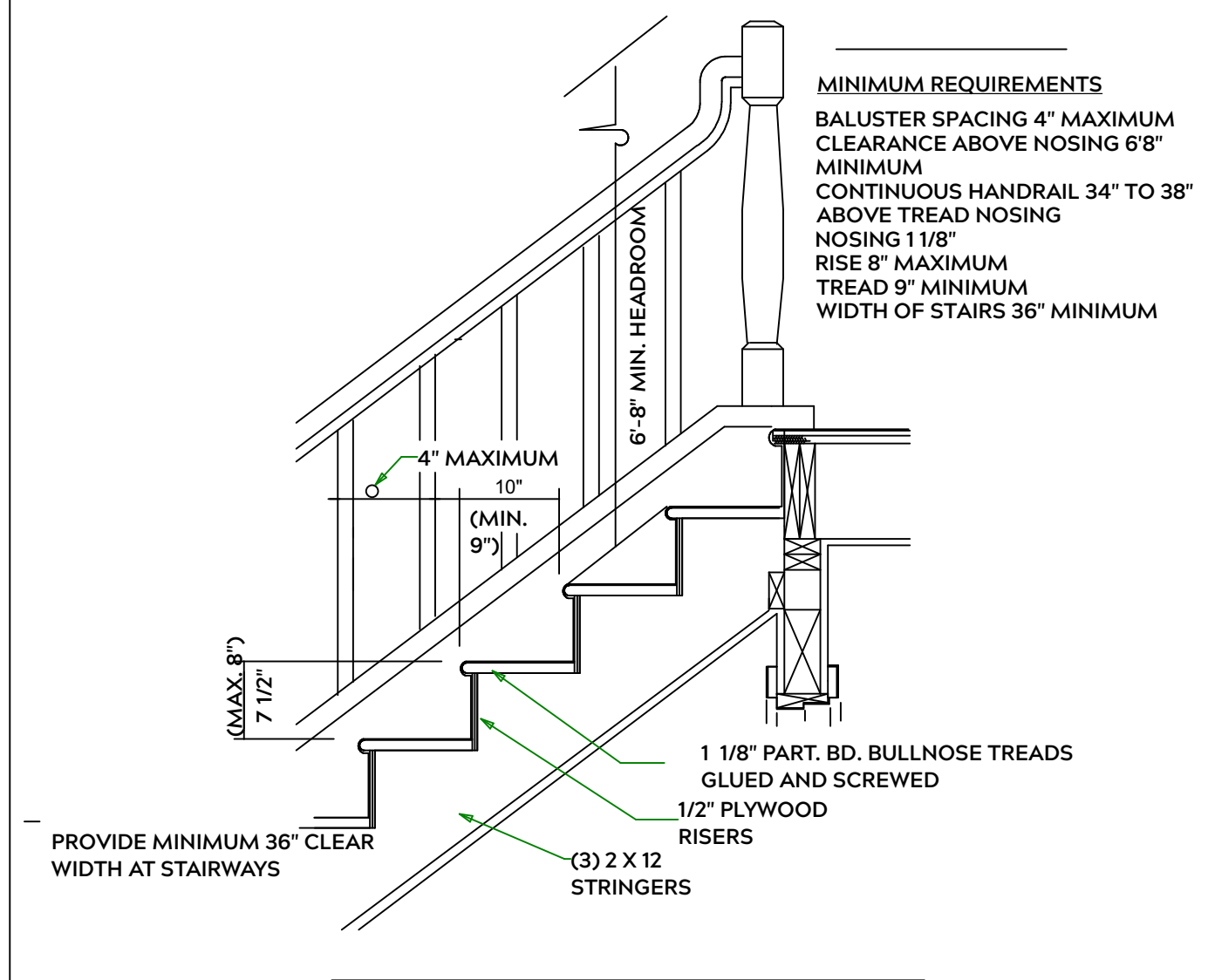


**INTERIOR WALL @ GARAGE STEP DOWN**

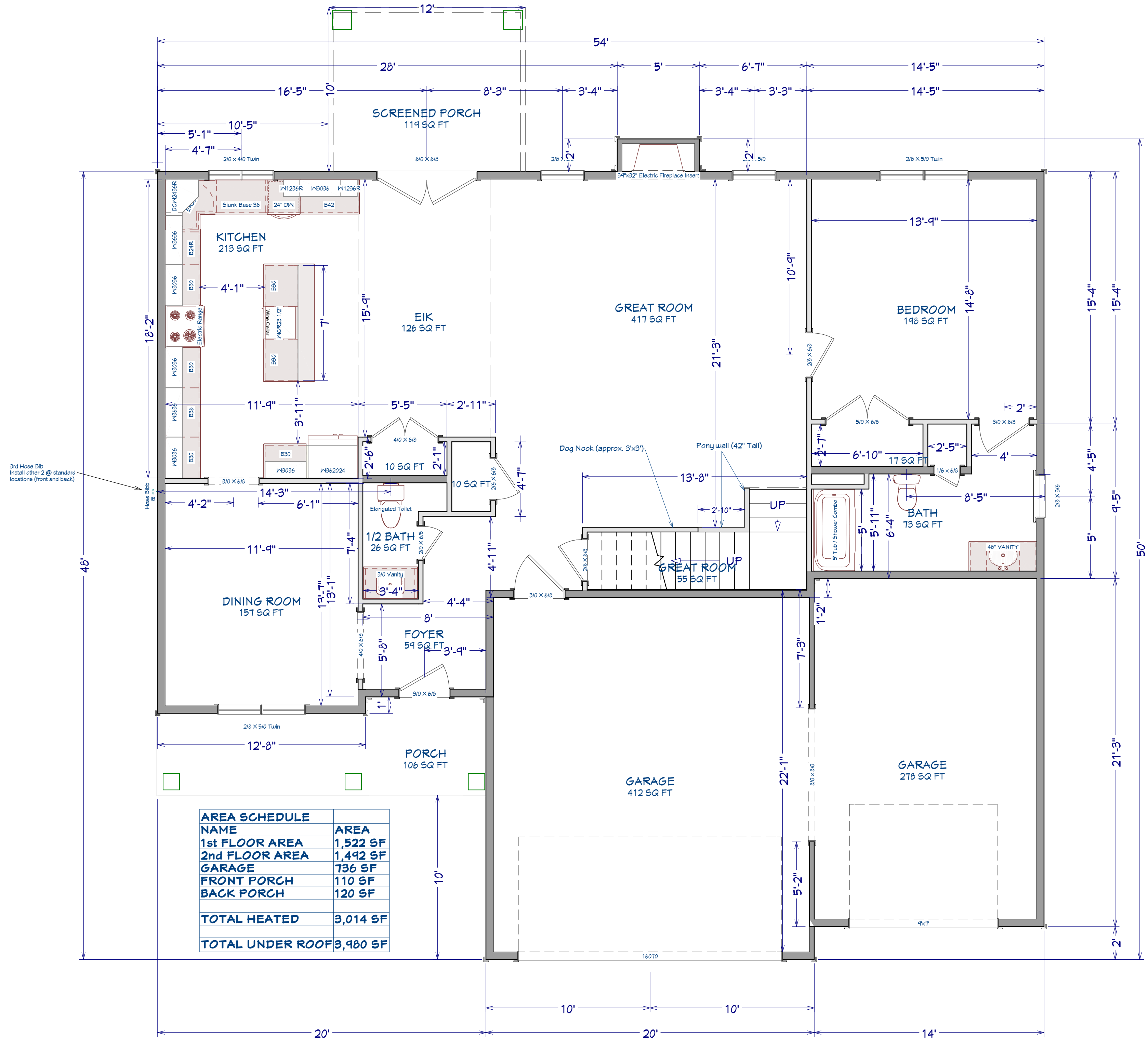


1. 15# FELT UNDERLAYMENT UNDER COMPOSITION SHINGLES.
2. ROOF DECKING.
3. 2 X RAFTERS / ENGINEERED TRUSSES
4. DOUBLE TOP PLATE.
5. 2 X 4 RETURN.
6. 3/4" FASCIA OR PVC TRIM COIL
7. 2 X FASCIA
8. 1/4" PLYWOOD OR VINYL SOFFIT
9. 1 X FREIZE BOARD (TO BE USED WITH BRICK VENEERS)
10. INSULATION BOARD OR HOUSE WRAP
11. AIR SPACE.
12. BRICK WITH BRICK TIES PER MANUFACTURER'S SPECIFICATIONS.
13. 1/2" X 12" ANCHOR BOLTS, 6'-0" O.C., 12" FROM CORNERS.
14. FLASHING WITH WEEP HOLES @ 48" O.C.
15. FINISHED GRADE.
16. FOOTING
17. COMPACTED EARTH FILL.
18. 6 MIL. VAPOR BARRIER
19. 4" CONCRETE SLAB, 3,000 P.S.I. WITH 6" X 6" 10 GA. X 10 GA. WELDED WIRE FABRIC.
20. 1/2" GYPSUM BOARD.

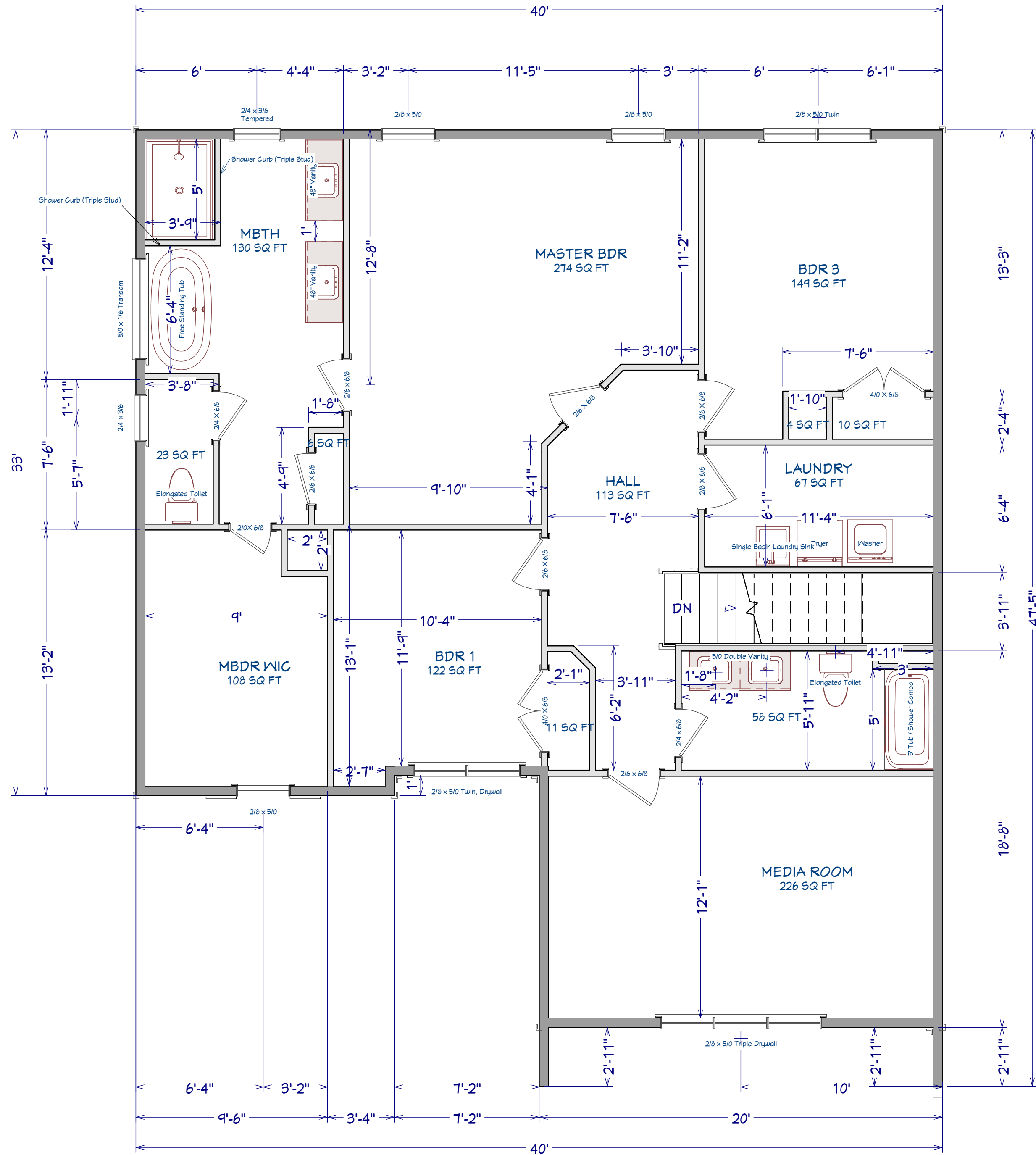
**EXTERIOR WALL SECTION**



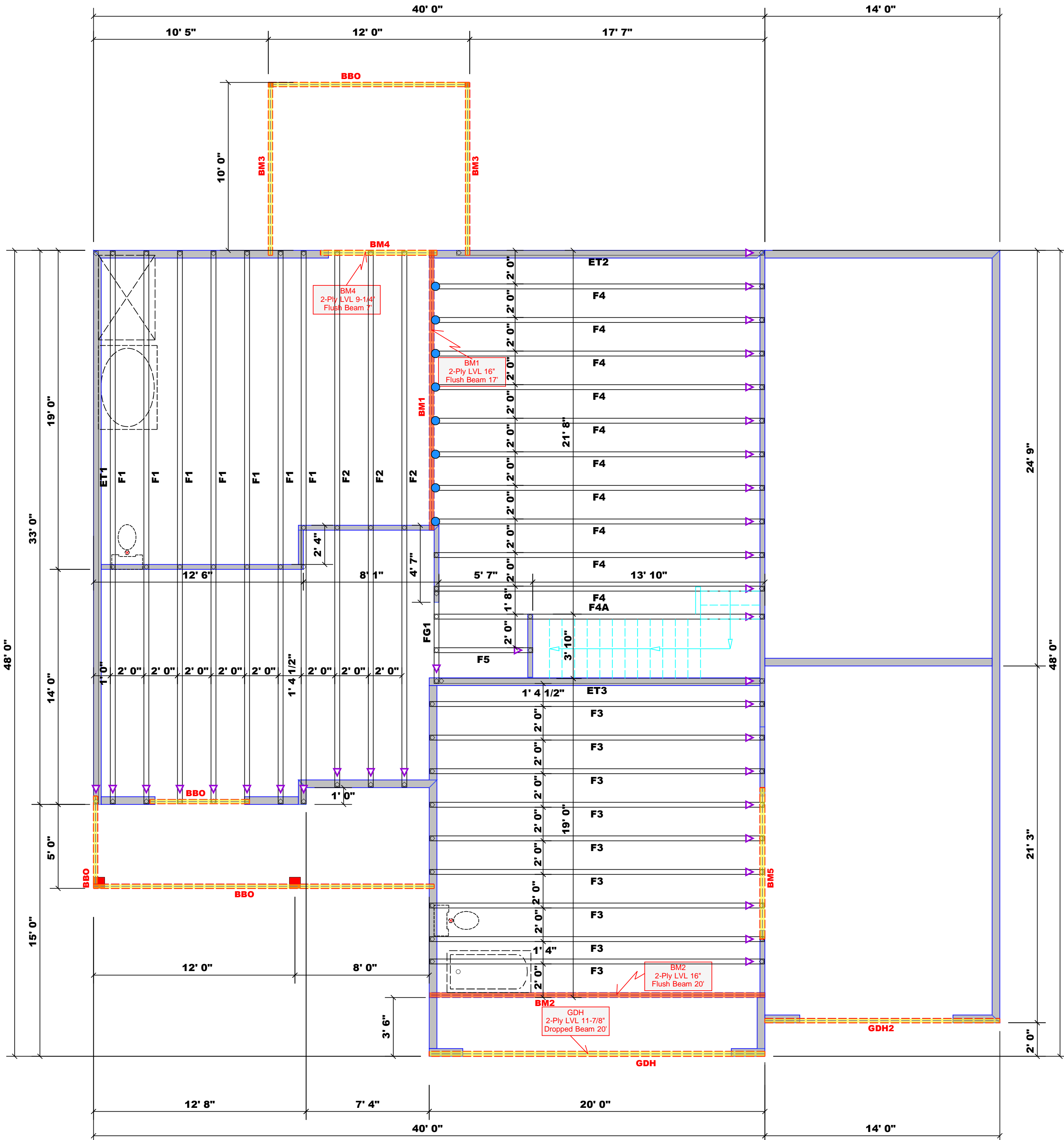
**STAIR DETAIL**







AREA SCHEDULE	
NAME	AREA
1st FLOOR AREA	1,522 SF
2nd FLOOR AREA	1,492 SF
GARAGE	736 SF
FRONT PORCH	110 SF
BACK PORCH	120 SF
<b>TOTAL HEATED</b>	<b>3,014 SF</b>
<b>TOTAL UNDER ROOF</b>	<b>3,980 SF</b>



Products					
PlotID	Length	Product	Plies	Net Qty	Fab Type
BM1	17' 0"	1-3/4"x 16" LVL Kerto-S	2	2	FF
BM2	20' 0"	1-3/4"x 16" LVL Kerto-S	2	2	FF
BM3	12' 0"	2x10 SP No.2	2	4	FF
BM4	7' 0"	1-3/4"x 9-1/4" LVL Kerto-S	2	2	FF
BM5	9' 0"	1-3/4"x 11-7/8" LVL Kerto-S	2	2	FF
GDH	20' 0"	1-3/4"x 11-7/8" LVL Kerto-S	2	2	FF
GDH2	14' 0"	2x12 SPF No.2	2	2	FF

**1 Truss Placement Plan**  
Scale: 1/4"=1'

- Dimension Notes**
- All exterior wall to wall dimensions are to face of sheathing unless noted otherwise
  - All interior wall dimensions are to face of frame wall unless noted otherwise
  - All exterior wall to truss dimensions are to face of frame wall unless noted otherwise

Connector Information				Nail Information	
Sym	Product	Manuf	Qty	Supported Member	Header / Truss
●	HUS410	USP	8	Varies	16d/3-1/2" / 16d/3-1/2"

- Plumbing Drop Notes**
- Plumbing drop locations shown are NOT exact.
  - Contractor to verify ALL plumbing drop locations prior to setting Floor Trusses.
  - Adjust spacing as needed not to exceed 24"oc.

**▲ = Indicates Left End of Truss (Reference Engineered Truss Drawing)**  
Do NOT Erect Truss Backwards

**LOAD CHART FOR JACK STUDS**  
(BASED ON TABLES B502.5(1) & (2))  
NUMBER OF JACK STUDS REQUIRED @ EA END OF HEAD/SUPPORT

END REACTION (UP TO) @ END OF HEAD/SUPPORT	END REACTION (UP TO) @ END OF HEAD/SUPPORT	END REACTION (UP TO) @ END OF HEAD/SUPPORT
1700	2550	3400
3400	5100	6800
5100	7650	10200
6800	10200	13600
8500	12750	17000
10200	15300	
11900		
13600		
15300		

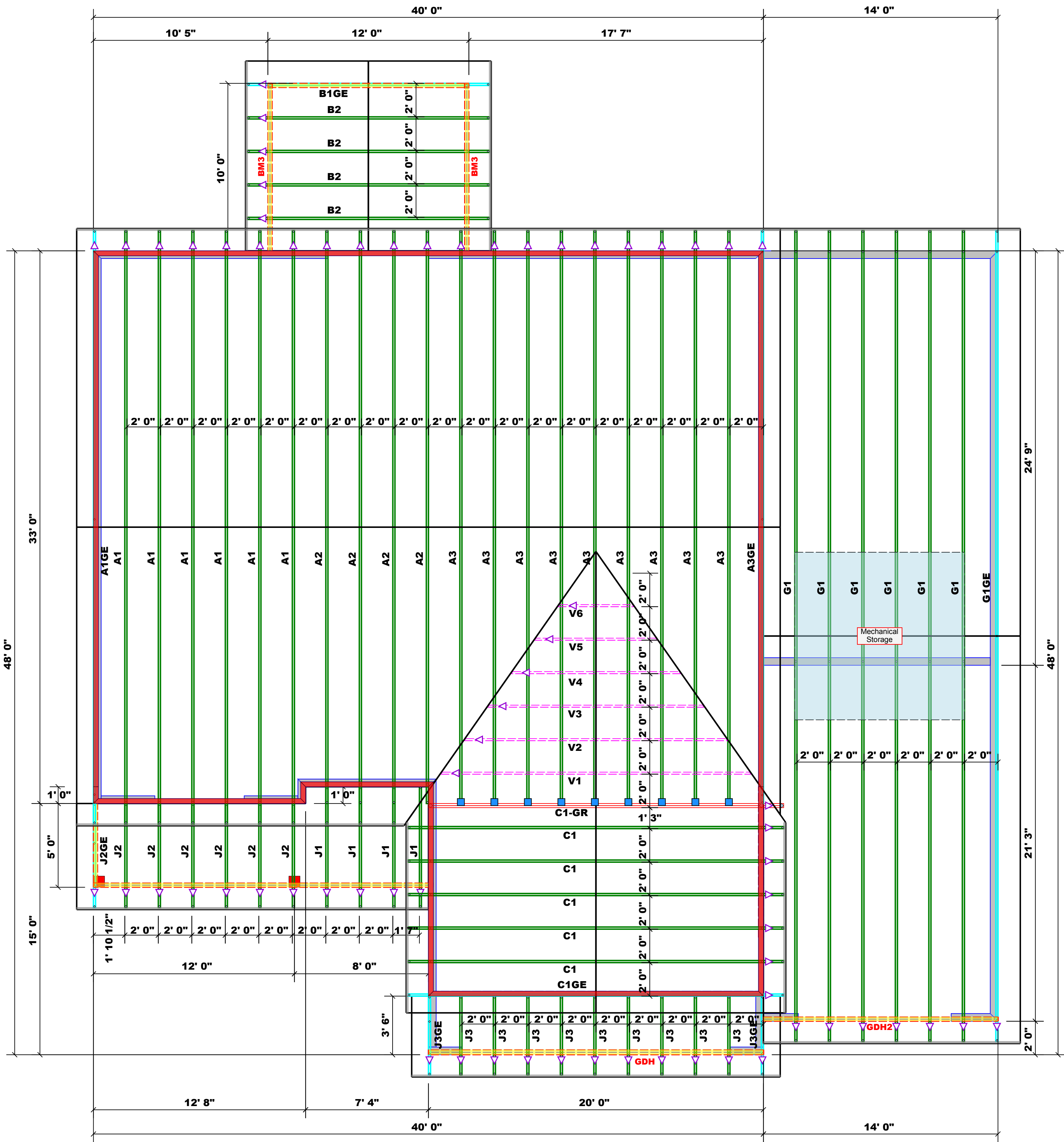
<b>BUILDER</b>	Precision Custom Homes and Renovations	<b>COUNTY</b>	Cameron / Harnett
<b>JOB NAME</b>	Lot 73 Liberty Meadow	<b>ADDRESS</b>	Lot 56 Liberty Meadow
<b>PLAN</b>	Liberty 2.0	<b>MODEL</b>	Floor
<b>SEAL DATE</b>	N/A	<b>DATE REV.</b>	04/02/24
<b>QUOTE #</b>		<b>DRAWN BY</b>	David Landry
<b>JOB #</b>	J1123-6517	<b>SALESMAN</b>	Neil Baggett

**THIS IS A TRUSS PLACEMENT DIAGRAM ONLY.**  
These trusses are designed as individual building components to be incorporated into the building design at the specification of the building designer. See individual design sheets for each truss design identified on the placement drawing. The building designer is responsible for temporary and permanent bracing of the roof and floor system and for the overall structure. The design of the truss support structure including headers, beams, walls, and columns is the responsibility of the building designer. For general guidance regarding bracing, consult BCSH-B1 and BCSH-B3 provided with the truss delivery package or online @ sbcindustry.com

Bearing reactions less than or equal to 3000# are deemed to comply with the prescriptive Code requirements. The contractor shall refer to the attached Tables (derived from the prescriptive Code requirements) to determine the minimum foundation size and number of wood studs required to support reactions greater than 3000# but not greater than 15000#. A registered design professional shall be retained to design the support system for any reaction that exceeds those specified in the attached Tables. A registered design professional shall be retained to design the support system for all reactions that exceed 15000#.

Signature: David Landry

**comTECH**  
**ROOF & FLOOR TRUSSES & BEAMS**  
Reilly Road Industrial Park  
Fayetteville, N.C. 28309  
Phone: (910) 864-8787  
Fax: (910) 864-4444



Products					
PlottID	Length	Product	Plies	Net Qty	Fab Type
BM1	17' 0"	1-3/4"x 16" LVL Kerto-S	2	2	FF
BM2	20' 0"	1-3/4"x 16" LVL Kerto-S	2	2	FF
BM3	12' 0"	2x10 SP No.2	2	4	FF
BM4	7' 0"	1-3/4"x 9-1/4" LVL Kerto-S	2	2	FF
BM5	9' 0"	1-3/4"x 11-7/8" LVL Kerto-S	2	2	FF
GDH	20' 0"	1-3/4"x 11-7/8" LVL Kerto-S	2	2	FF
GDH2	14' 0"	2x12 SPF No.2	2	2	FF

1 Truss Placement Plan  
Scale: 1/4"=1'

- Dimension Notes**
- All exterior wall to wall dimensions are to face of sheathing unless noted otherwise
  - All interior wall dimensions are to face of frame wall unless noted otherwise
  - All exterior wall to truss dimensions are to face of frame wall unless noted otherwise

Connector Information					Nail Information	
Sym	Product	Manuf	Qty	Supported Member	Header	Truss
■	HUS26	USP	9	NA	16d/3-1/2"	16d/3-1/2"

**Hatch Legend**

- Box Storage
- Drop Beam
- 2nd Floor Walls

Roof Area = 3371.07 sq.ft.  
Ridge Line = 96.21 ft.  
Hip Line = 0 ft.  
Horiz. OH = 183.58 ft.  
Raked OH = 213.39 ft.  
Decking = 116 sheets

▲ = Indicates Left End of Truss  
(Reference Engineered Truss Drawing)  
Do NOT Erect Truss Backwards

**LOAD CHART FOR JACK STUDS**  
(BASED ON TABLES B502.5(1) & (2))  
NUMBER OF JACK STUDS REQUIRED @ EA END OF HEAD/COURSE

END REACTION (UP TO) @ END OF HEAD/COURSE	END REACTION (UP TO) @ END OF HEAD/COURSE	END REACTION (UP TO) @ END OF HEAD/COURSE
1700	2550	3400
3400	5100	6800
5100	7650	10200
6800	10200	13600
8500	12750	17000
10200	15300	
11900		
13600		
15300		

<b>BUILDER</b>	Precision Custom Homes and Renovations	<b>COUNTY</b>	Cameron / Harnett
<b>JOB NAME</b>	Lot 73 Liberty Meadow	<b>ADDRESS</b>	Lot 56 Liberty Meadow
<b>PLAN</b>	Liberty 2.0	<b>MODEL</b>	Roof
<b>SEAL DATE</b>	N/A	<b>DATE REV.</b>	04/02/24
<b>QUOTE #</b>		<b>DRAWN BY</b>	David Landry
<b>JOB #</b>	J1123-6516	<b>SALESMAN</b>	Neil Baggett

**THIS IS A TRUSS PLACEMENT DIAGRAM ONLY.**  
These trusses are designed as individual building components to be incorporated into the building design at the specification of the building designer. See individual design sheets for each truss design identified on the placement drawing. The building designer is responsible for temporary and permanent bracing of the roof and floor system and for the overall structure. The design of the truss support structure including headers, beams, walls, and columns is the responsibility of the building designer. For general guidance regarding bracing, consult BCSI-B1 and BCSI-B3 provided with the truss delivery package or online @ sbcindustry.com

Bearing reactions less than or equal to 3000# are deemed to comply with the prescriptive Code requirements. The contractor shall refer to the attached Tables (derived from the prescriptive Code requirements) to determine the minimum foundation size and number of wood studs required to support reactions greater than 3000# but not greater than 15000#. A registered design professional shall be retained to design the support system for any reaction that exceeds those specified in the attached Tables. A registered design professional shall be retained to design the support system for all reactions that exceed 15000#.

Signature: \_\_\_\_\_  
David Landry

**comTECH**  
**ROOF & FLOOR TRUSSES & BEAMS**  
Reilly Road Industrial Park  
Fayetteville, N.C. 28309  
Phone: (910) 864-8787  
Fax: (910) 864-4444

# North Carolina 2018 - R402.1.5 Total UA

**Property**

Cameron, NC 28326  
Model: Liberty  
Community: Liberty Meadows

**Organization**

Southern Energy Manager  
Justin Smith

**Inspection Status**

Results are projected

Template - SMG Precision - Liberty  
Meadows lot 14 - CZ 3 slab -  
Liberty Meadows lot 14

**Builder**

SMG Precision Properties

**This report is based on a proposed design and does not confirm field enforcement of design elements.**

## Building UA

Elements	NC Reference	As Designed
Ceilings	56.8	53.9
Above-Grade Walls	203.3	151.0
Windows, Doors and Skylights	115.3	103.5
Slab Floor:	86.5	112.9
Framed Floors	17.4	19.0
Foundation Walls	0.0	0.0
Rim Joists	8.4	6.8
<b>Overall UA (Design must be equal or lower):</b>	<b>487.7</b>	<b>447.1</b>

## Requirements

✓	402.1.5	Total UA alternative compliance passes by 8.3%.
✓	402.3.2	Average SHGC: 0.28 Max SHGC: 0.30
✓	R402.4.2.2	Air Leakage Testing Air sealing is 4.80 ACH at 50 Pa. It must not exceed 5.00 ACH at 50 Pa.
✓	R402.5	Area-weighted average fenestration SHGC
✓	R402.5	Area-weighted average fenestration U-Factor
✓	R404.1	Lighting Equipment Efficiency
✓	Mandatory Checklist	Mandatory code requirements that are not checked by Ekotrope must be met.
✓	R403.3.1	Duct Insulation
✓	403.3.3	Duct Testing

**Design exceeds requirements for North Carolina 2018 Prescriptive compliance by 8.3%.**

Name: Justin Smith  
Organization: Southern Energy Management

Signature: Justin Smith  
Digitally signed: 8/9/22 at 11:20 AM

### Ekotrope RATER - Version 4.0.1.2966

North Carolina 2018 Prescriptive compliance results calculated using Ekotrope RATER's energy and code compliance algorithm, including appropriate amendments.  
Ekotrope RATER is a RESNET Accredited HERS Rating Tool. All results are based on data entered by Ekotrope users.  
Ekotrope disclaims all liability for the information shown on this report.



# Building Summary



**Property**  
 Cameron, NC 28326  
 Model: Liberty  
 Community: Liberty Meadows

**Organization**  
 Southern Energy Management  
 Justin Smith

**Inspection Status**  
 Results are projected

Template - SMG Precision - Liberty Meadows lot 14  
 - CZ 3 slab - ecoSelect  
 Liberty Meadows lot 14

**Builder**  
 SMG Precision Properties

## General Building Information

Number Of Bedrooms	3
Number Of Floors	2
Conditioned Floor Area [sq. ft.]	3,014
Has Electric Vehicle Ready Space	No
Unconditioned, attached garage?	Yes
Conditioned Volume [cu. ft.]	27,126
Total Units in Building	1
Residence Type	Single family detached
Number of Floors in Building	-
Floor Number	-
Model	Liberty
Community	Liberty Meadows
RESNET/IECC 2006 Climate Zone	4A
IECC 2021 Climate Zone	3A

## Foundation Wall

None Present

## Foundation Wall Library List

None Present

## Slab

Name	Library Type	Perimeter	Floor Grade	Carpet R	Exposed Masonry Area	Surface Area	Location	Enclosing
slab	Uninsulated	178	On Grade	1	0	1,522.0 ft²	Exposed Exterior	Conditioned Space

## Slab Library List

Name	Wall Construction Type	Slab Completely Insulated?	Underslab Insulation Width [ft]	Perimeter Insulation Depth [ft]	Perimeter Insulation R Value	Thermal Break	Effective R-value
Uninsulated	Wood Frame / Other	No	0	0	0	No	0.00

# Building Summary



**Property**  
 Cameron, NC 28326  
 Model: Liberty  
 Community: Liberty Meadows

**Organization**  
 Southern Energy Management  
 Justin Smith

**Inspection Status**  
 Results are projected

**SOUTHERN ENERGY MANAGEMENT**  
 ENERGY EFFICIENCY & SOLAR POWER

Template - SMG Precision - Liberty Meadows lot 14  
 - CZ 3 slab - ecoSelect  
 Liberty Meadows lot 14

**Builder**  
 SMG Precision Properties

## Framed Floor

Name	Library Type	Carpet R	Floor Grade	Surface Area	Location
over garage	R 19, 16"OC G1 Carpet	0	Above Grade	371.0 ft <sup>2</sup>	Unconditioned, attached garage

## Framed Floor Library List

Name	Effective R-value
R 19, 16"OC G1 Carpet	19.566

## Rim Joist

Name	Library Type	Surface Area	Location
1st floor ambient	R 19 G1, 16"OC	127.0 ft <sup>2</sup>	Exposed Exterior
1st floor garage	R 19 G1, 16"OC	25.0 ft <sup>2</sup>	Unconditioned, attached garage

## Rim Joist Library List

Name	Effective Insulation R-value
R 19 G1, 16"OC	17.30

## Wall

Name	Library Type	Surface Color	Surface Area	Location
1st floor ambient	R 19 Adv. Framing G1 16" O.C	Medium	1,242.0 ft <sup>2</sup>	Exposed Exterior
1st floor garage	R 19 Adv. Framing G1 16" O.C	Medium	360.0 ft <sup>2</sup>	Unconditioned, attached garage
2nd floor ambient	R 19 Adv. Framing G1 16" O.C	Medium	1,016.0 ft <sup>2</sup>	Exposed Exterior
2nd floor attic	R 19 Adv. Framing G1 16" O.C	Medium	352.0 ft <sup>2</sup>	Attic

# Building Summary



**Property**  
Cameron, NC 28326  
Model: Liberty  
Community: Liberty Meadows

**Organization**  
Southern Energy Management  
Justin Smith

**Inspection Status**  
Results are projected

Template - SMG Precision - Liberty Meadows lot 14  
- CZ 3 slab - ecoSelect  
Liberty Meadows lot 14

**Builder**  
SMG Precision Properties

## Wall Library List

Name	Effective R-value
R 19 Adv. Framing G1 16" O.C	17.492

## Glazing

Name	Library Type	Wall Assignment	Foundation Wall Assignment	Is Operable	Overhang Depth	Overhang Ft To Top	Overhang Ft To Bottom	Orientation	Surface Area
front 2nd unshaded	33/28	2nd floor ambient		Yes	0	0	0	West	66.8 ft <sup>2</sup>
front shaded	33/28	1st floor ambient		Yes	5	2	7	West	26.7 ft <sup>2</sup>
left 2nd unshaded	33/28	2nd floor ambient		Yes	0	0	0	North	15.7 ft <sup>2</sup>
rear 2nd unshaded	33/28	2nd floor ambient		Yes	0	0	0	East	61.6 ft <sup>2</sup>
rear shaded	33/28	1st floor ambient		Yes	10	2	9	East	40.0 ft <sup>2</sup>
rear unshaded	33/28	1st floor ambient		Yes	0	0	0	East	69.4 ft <sup>2</sup>
right unshaded	33/28	1st floor ambient		Yes	0	0	0	South	9.3 ft <sup>2</sup>

## Glazing Library List

Name	Shgc	U-factor
33/28	0.28	0.330

## Skylight

None Present

## Skylight Library List

None Present

# Building Summary



**Property**  
Cameron, NC 28326  
Model: Liberty  
Community: Liberty Meadows

**Organization**  
Southern Energy Management  
Justin Smith

**Inspection Status**  
Results are projected

Template - SMG Precision - Liberty Meadows lot 14  
- CZ 3 slab - ecoSelect  
Liberty Meadows lot 14

**Builder**  
SMG Precision Properties

## Opaque Door

Name	Library Type	Wall Assignment	Foundation Wall Assignment	Emittance	Solar Absorptance	Surface Color	Surface Area	Location
front entry	Fiberglass R-5	1st floor ambient		0.9	0.75	Medium	20.0 ft <sup>2</sup>	Exposed Exterior
garage entry	Fiberglass R-5	1st floor garage		0.9	0.75	Medium	20.0 ft <sup>2</sup>	Unconditioned, attached garage

## Opaque Door Library List

Name	Effective U-factor
Fiberglass R-5	0.200

## Roof Insulation

Name	Library Type	Attic Exterior Area [ft <sup>2</sup> ]	Clay or Concrete Roof Tiles	Surface Color	Surface Area	Location
attic	R 38 Attic BLOWN FG G1 2x10 24"OC NO Radiant Barrier	2,782.71	No	Dark	1,893.0 ft <sup>2</sup>	Attic

## Roof Insulation Library List

Name	Has Radiant Barrier	Effective R-value
R 38 Attic BLOWN FG G1 2x10 24"OC NO Radiant Barrier	No	35.115

## Whole House Infiltration

Infiltration	Measurement Type	Shelter Class
2170 CFM at 50 Pa	Blower-door tested	4

## Mechanical Ventilation

None Present



# Building Summary



**Property**  
Cameron, NC 28326  
Model: Liberty  
Community: Liberty Meadows

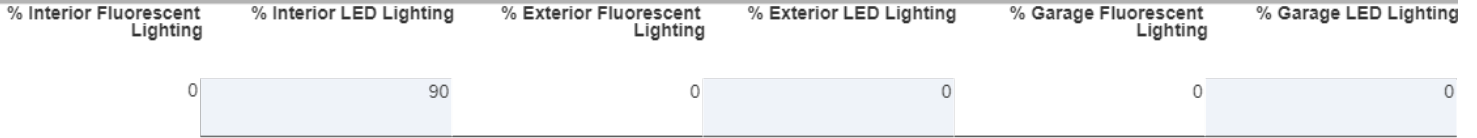
**Organization**  
Southern Energy Management  
Justin Smith

**Inspection Status**  
Results are projected

Template - SMG Precision - Liberty Meadows lot 14  
- CZ 3 slab - ecoSelect  
Liberty Meadows lot 14

**Builder**  
SMG Precision Properties

## Lighting



## Onsite Generation

None Present

## Onsite Generation Library List

None Present

## Solar Generation

None Present

## Dehumidifier

None Present

## Dehumidifier Library List

None Present

## Whole House Fan

None Present

# Building Summary



**Property**  
 Cameron, NC 28326  
 Model: Liberty  
 Community: Liberty Meadows

**Organization**  
 Southern Energy Management  
 Justin Smith

**Inspection Status**  
 Results are projected

Template - SMG Precision - Liberty Meadows lot 14  
 - CZ 3 slab - ecoSelect  
 Liberty Meadows lot 14

**Builder**  
 SMG Precision Properties

## Whole House Fan Library List

None Present

## Conditioning Equipment

Name	Library Type	Serial Number	Heating Percent Load	Cooling Percent Load	Hot Water Percent Load	Location
1st floor heat pump	z 24k 14 SEER 8.2hspf		50%	50%	0%	Attic
2nd floor heat pump	z 24k 14 SEER 8.2hspf		50%	50%	0%	Attic
Water Heating	z 50 gal. 0.95 EF Elec		0%	0%	100%	Unconditioned Garage

### Equipment Type: z 24k 14 SEER 8.2hspf

Equipment Type	Air Source Heat Pump
Fuel Type	Electric
Distribution Type	Forced Air
Motor Type	PSC (Single Speed)
Heating Efficiency	8.2 HSPF
Heating Capacity [kBtu/h]	24
Backup Fuel Type	Electric
Switchover Temperature [°F]	0
Backup Heating Efficiency	1 COP
Use default Supplemental Heat	Yes
Cooling Efficiency	14 SEER
Cooling Capacity [kBtu/h]	24

### Equipment Type: z 50 gal. 0.95 EF Elec

Equipment Type	Residential Water Heater
Fuel Type	Electric
Distribution Type	Hydronic Delivery (Radiant)
Hot Water Efficiency	0.95 Energy Factor
Tank Capacity (gal.)	50
Hot Water Capacity [kBtu/h]	40
Recovery Efficiency	0.98

# Building Summary

## Property

Cameron, NC 28326  
 Model: Liberty  
 Community: Liberty Meadows

## Organization

Southern Energy Management  
 Justin Smith

## Inspection Status

Results are projected



**SOUTHERN ENERGY**  
**MANAGEMENT**  
 ENERGY EFFICIENCY & SOLAR POWER

Template - SMG Precision - Liberty Meadows lot 14  
 - CZ 3 slab - ecoSelect  
 Liberty Meadows lot 14

## Builder

SMG Precision Properties

## Distribution System

Distribution Type	Forced Air
Heating Equipment	1st floor heat pump
Cooling Equipment	1st floor heat pump
Sq. Feet Served	1,522
# Return Grilles	2
Supply Duct R Value	8
Return Duct R Value	8
Supply Duct Area [ft²]	410.94
Return Duct Area [ft²]	152.2
Leakage to Outdoors	60 CFM @ 25Pa (3.94 / 100 ft²)
Total Leakage	60 CFM25
Total Leakage Duct Test Conditions	Post-Construction
Use Default Flow Rate	Yes
Duct 1	
Duct Location	Attic (well vented)
Percent Supply Area	70
Percent Return Area	70
Duct 2	
Duct Location	Conditioned Space
Percent Supply Area	30
Percent Return Area	30
Duct 3	
Duct Location	Conditioned Space
Percent Supply Area	0
Percent Return Area	0
Duct 4	
Duct Location	Conditioned Space
Percent Supply Area	0
Percent Return Area	0
Duct 5	
Duct Location	Conditioned Space
Percent Supply Area	0
Percent Return Area	0
Duct 6	
Duct Location	Conditioned Space
Percent Supply Area	0
Percent Return Area	0

# Building Summary



**Property**  
 Cameron, NC 28326  
 Model: Liberty  
 Community: Liberty Meadows

**Organization**  
 Southern Energy Management  
 Justin Smith

**Inspection Status**  
 Results are projected

Template - SMG Precision - Liberty Meadows lot 14  
 - CZ 3 slab - ecoSelect  
 Liberty Meadows lot 14

**Builder**  
 SMG Precision Properties

## Distribution System

Distribution Type	Forced Air
Heating Equipment	2nd floor heat pump
Cooling Equipment	2nd floor heat pump
Sq. Feet Served	1,492
# Return Grilles	2
Supply Duct R Value	8
Return Duct R Value	8
Supply Duct Area [ft <sup>2</sup> ]	402.84
Return Duct Area [ft <sup>2</sup> ]	149.2
Leakage to Outdoors	59 CFM @ 25Pa (3.95 / 100 ft <sup>2</sup> )
Total Leakage	59 CFM25
Total Leakage Duct Test Conditions	Post-Construction
Use Default Flow Rate	Yes
Duct 1	
Duct Location	Attic (well vented)
Percent Supply Area	100
Percent Return Area	100
Duct 2	
Duct Location	Conditioned Space
Percent Supply Area	0
Percent Return Area	0
Duct 3	
Duct Location	Conditioned Space
Percent Supply Area	0
Percent Return Area	0
Duct 4	
Duct Location	Conditioned Space
Percent Supply Area	0
Percent Return Area	0
Duct 5	
Duct Location	Conditioned Space
Percent Supply Area	0
Percent Return Area	0
Duct 6	
Duct Location	Conditioned Space
Percent Supply Area	0
Percent Return Area	0

## HVAC Grading

HVAC Grading Not Conducted

## Ceiling Fan

Has Ceiling Fan	No
Cfm Per Watt	100



# Building Summary



## Property

Cameron, NC 28326  
Model: Liberty  
Community: Liberty Meadows

## Organization

Southern Energy Management  
Justin Smith

## Inspection Status

Results are projected

Template - SMG Precision - Liberty Meadows lot 14  
- CZ 3 slab - ecoSelect  
Liberty Meadows lot 14

## Builder

SMG Precision Properties

## Water Distribution

Water Fixture Type	Low-flow
Use Default Hot Water Pipe Length	No
Hot Water Pipe Length [ft]	89
At Least R3 Pipe Insulation?	No
Hot Water Recirculation System?	No
Recirculation System Pipe Loop Length [ft]	20
Drain Water Heat Recovery?	No

## Clothes Dryer

Cef	3.01
Fuel Type	Electric
Field Utilization	Timer Controls
Is Outside Conditioned Space	No
Clothes Dryer Available	Yes
Defaults Type	HERS Reference

## Clothes Washer

Label Energy Rating	153 kWh/Year
Annual Gas Cost	\$12.00
Electric Rate	\$0.11/kWh
Gas Rate	\$1.22/Therm
Capacity	3.31
Imef	2.1547
Defaults Type	Custom
Load Type	Front-load
Loads Per Week	6
Is Outside Conditioned Space	No
Clothes Washer Available	Yes

## Dishwasher

Dishwasher Efficiency	270 kWh
Dishwasher Size	Standard
Annual Gas Cost	\$22.23
Electric Rate	\$0.12/kWh
Gas Rate	\$1.09/Therm
Is Outside Conditioned Space	No

# Building Summary



## Property

Cameron, NC 28326  
Model: Liberty  
Community: Liberty Meadows

## Organization

Southern Energy Management  
Justin Smith

## Inspection Status

Results are projected

Template - SMG Precision - Liberty Meadows lot 14  
- CZ 3 slab - ecoSelect  
Liberty Meadows lot 14

## Builder

SMG Precision Properties

## Appliances and Controls

Thermostat Cooling Setpoint	*** 75.0
Thermostat Heating Setpoint	*** 70.0
Range/Oven Fuel	Electric
Convection Oven?	No
Induction Range?	No
Range/Oven Outside Conditioned Space?	No
Refrigerator Consumption	538 kWh/Year
Refrigerator Outside Conditioned Space?	No

## Notes

Initial Inputs \_\_\_\_\_ MS 07/01/22 \_\_\_\_\_

- confirm HVAC specs
- confirm water heater specs
- confirm ventilation entry, modeled as air cycler
- modeled to worst case orientation
- confirm cfl lighting %