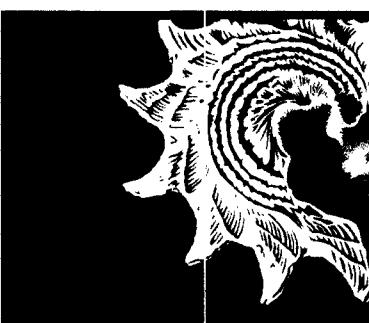
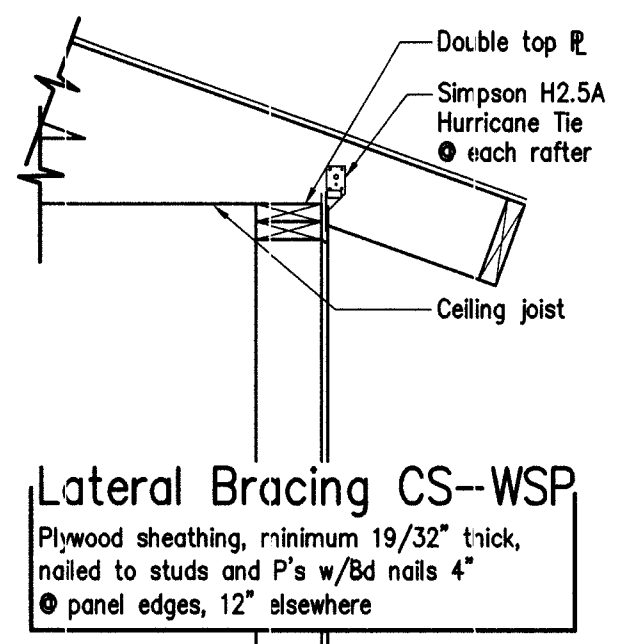
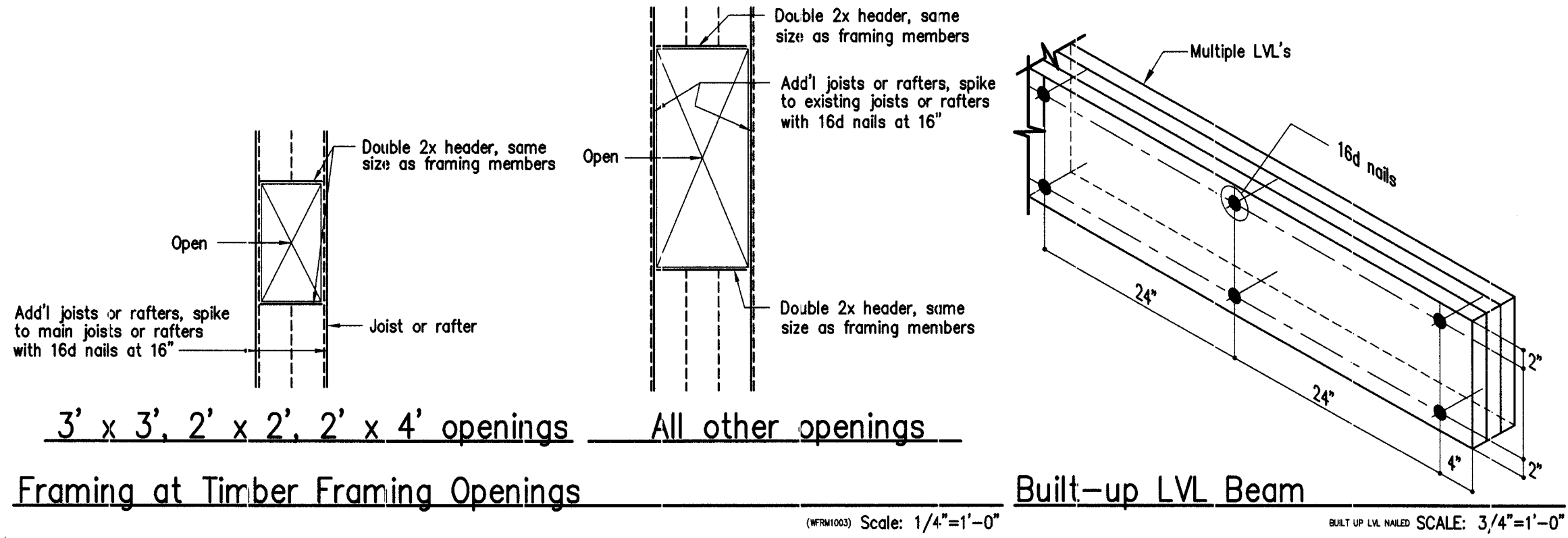


**GREG ROBINSON, P.E.**  
 CONSULTING ENGINEER  
 6512 Six Forks Road, Suite 403A  
 Raleigh, North Carolina 27615  
 (919) 846-4752 (919) 847-0455 fax  
 info@gar-pe.com



New Residence  
 13321 Highway NC 27 West  
 Broadway, North Carolina  
 For: Fred Construction Company

Drawn	GAR	Date	26JAN24
Check	GAR	Date	26JAN24
Issue for	File name	Date	
Issued for	GAR/PE Project # 24006	Date	
Issued for		Date	
Issued for		Date	



Clear span	Header	Jack studs	Jamb studs	Straps (Exterior walls)	Nails @ hdr	Nails @ studs
4'-0"	(2)-2x6	(1)	(1)	1-1/4 x 20 ga.	(2)-12d	(2)-12d
5'-4"	(2)-2x8	(2)	(2)	1-1/4 x 20 ga.	(3)-12d	(3)-12d
6'-4"	(2)-2x8	(2)	(2)	1-1/4 x 20 ga.	(4)-12d	(4)-12d
7'-4"	(2)-2x10	(2)	(3)	1-1/4 x 20 ga.	(6)-12d	(6)-12d

