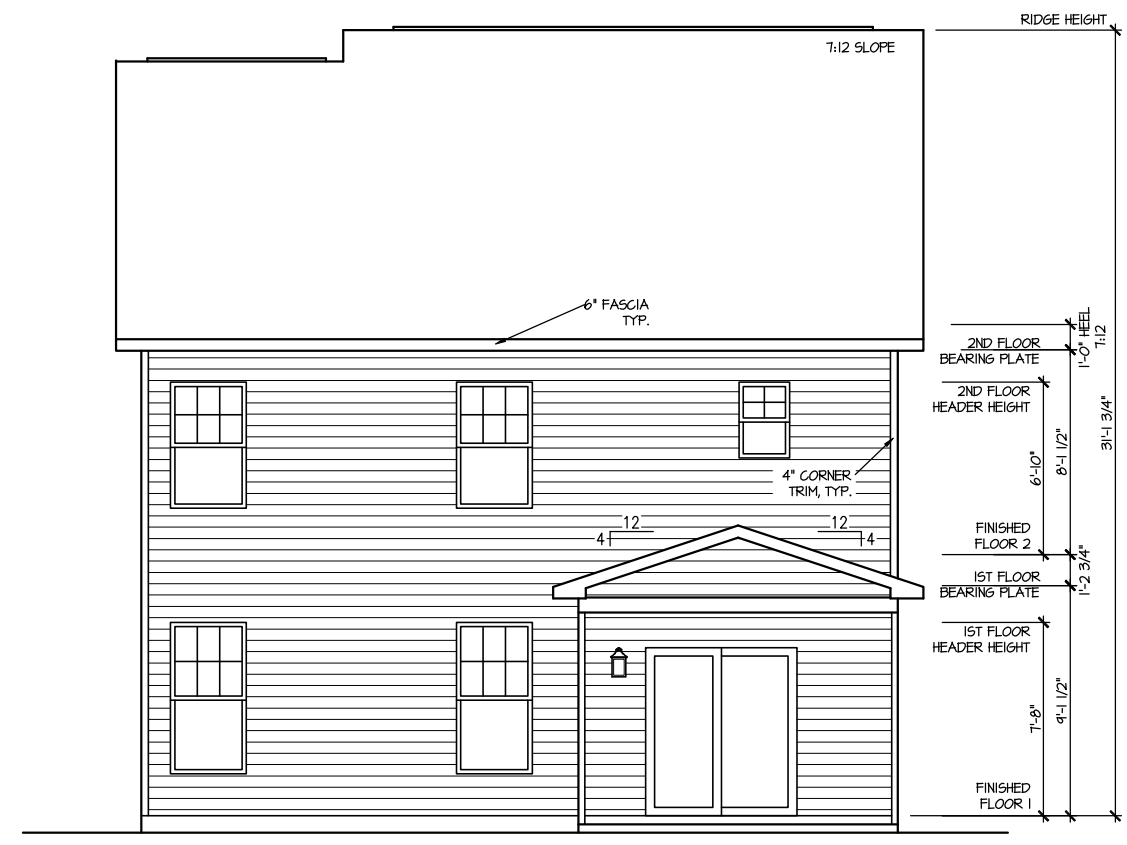


INSTALL ICE AND WATER SHIELD ON ALL SLOPES LESS THAN 4:12

**FRONT ELEVATION 4**  
SCALE: 1/8" = 1'-0"



WINDOW GRID PATTERNING TO MATCH FRONT ELEVATION

**REAR ELEVATION 4**  
SCALE: 1/8" = 1'-0"

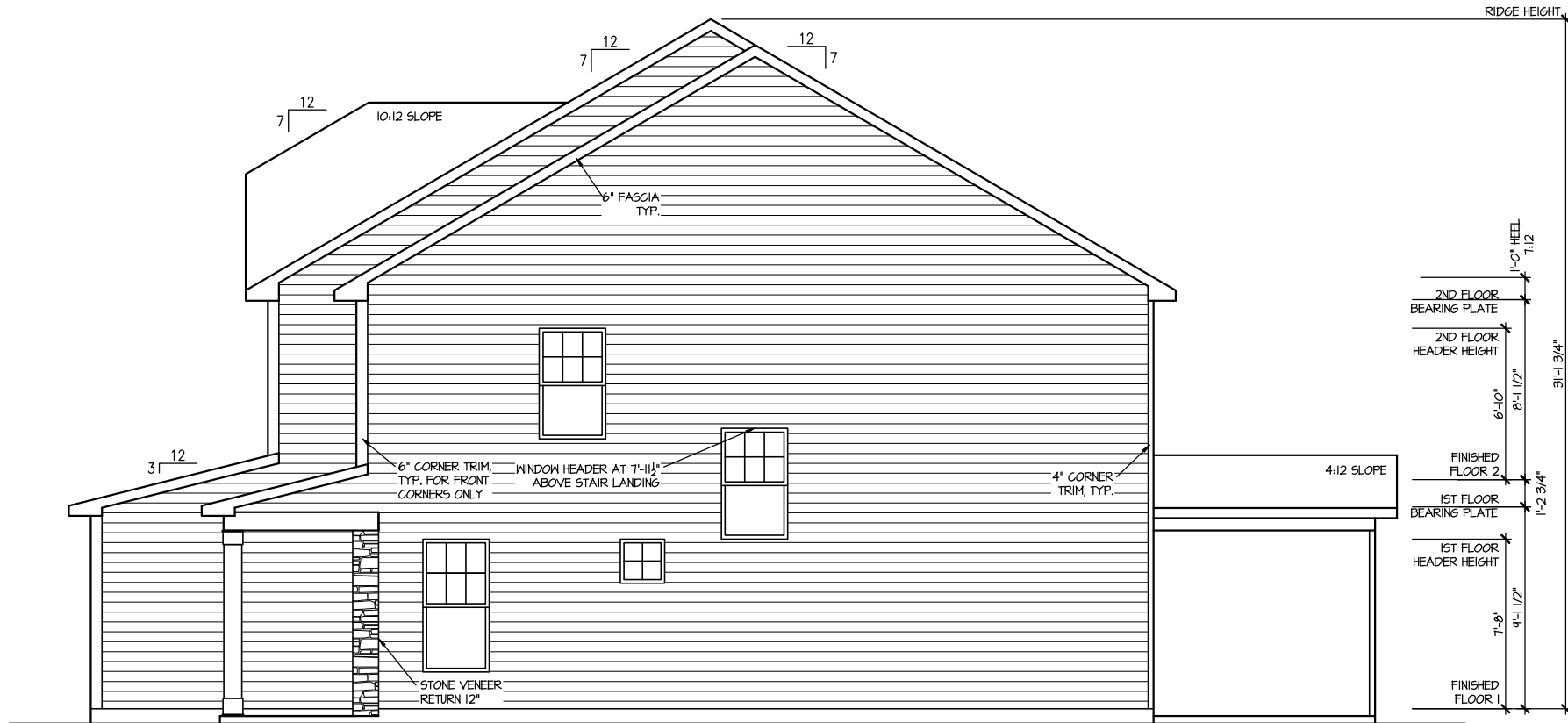
MASTER PLAN INFORMATION		UPDATED DATE
REVISION	DATE	11-08-2023
1 - RALE	07-06-2018	

DRAWN BY:	ITS
DATE:	02/16/2024
PLAN NO.	1930



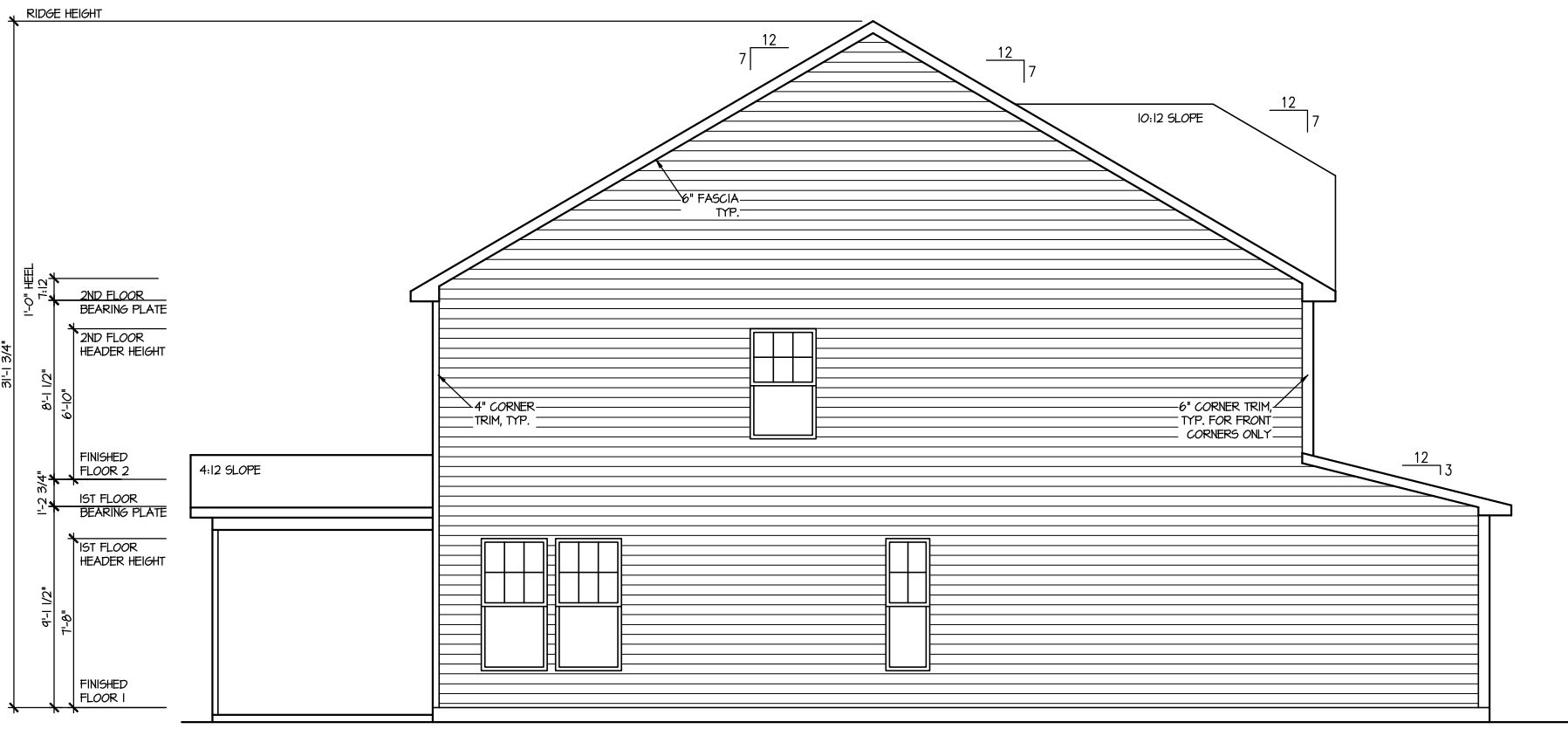
HOUSE NAME:	MALBEC
DRAWING TITLE	FRONT & REAR ELEVATIONS

SHEET No.	A.1
-----------	-----



**RIGHT ELEVATION 4**

SCALE: 1/8" = 1'-0"



**LEFT ELEVATION 4**

SCALE: 1/8" = 1'-0"

MASTER PLAN INFORMATION		UPDATED DATE
REVISION	DATE	11-08-2023
1 - RALE	07-06-2018	

DRAWN BY:	ITS
DATE:	02/16/2024
PLAN NO.	1930

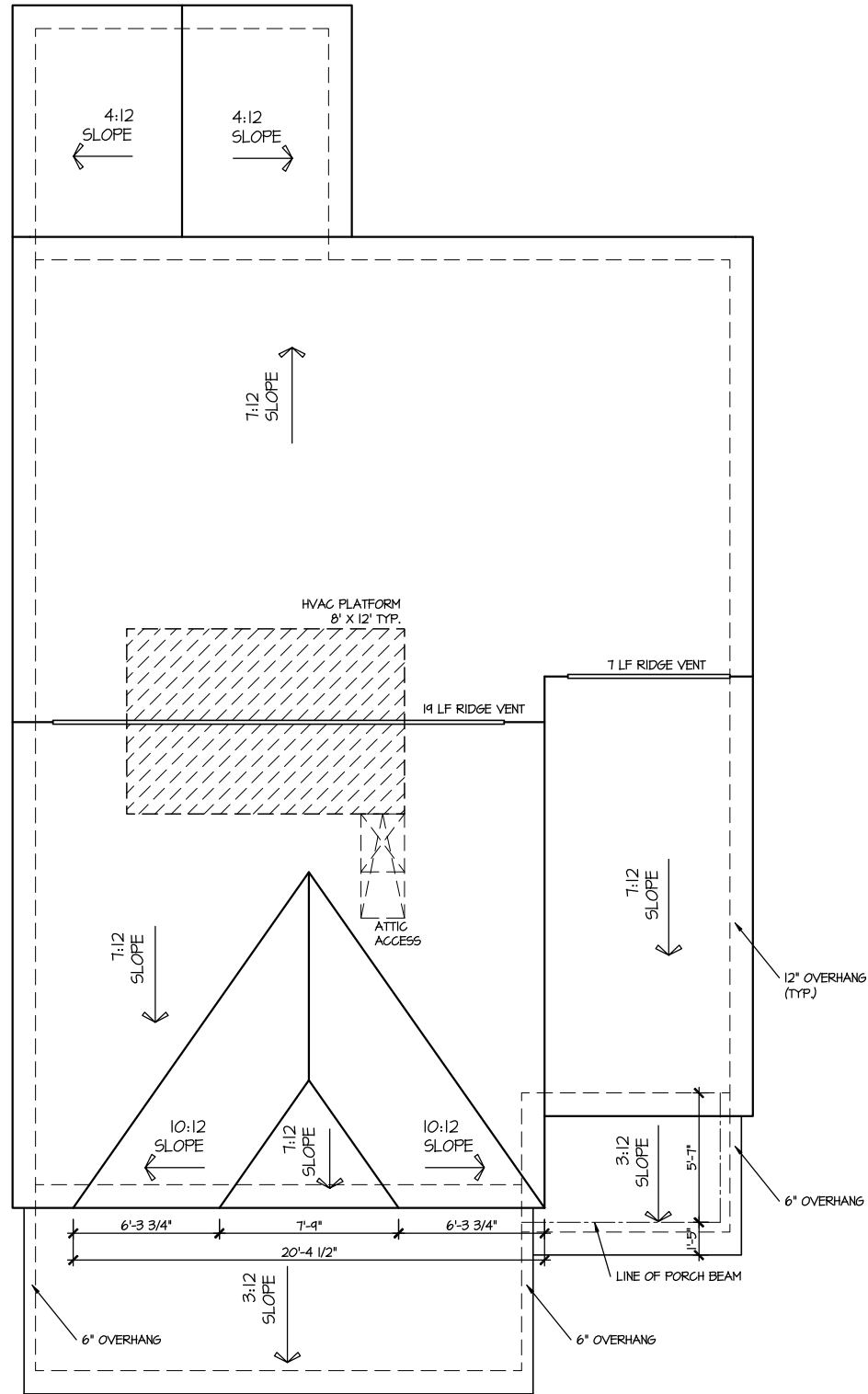


HOUSE NAME:	MALBEC
DRAWING TITLE	RIGHT & LEFT ELEVATIONS

SHEET No.	A1.2
-----------	------

**UPPER ROOF VENTILATION CALCULATIONS:**

ROOF AREA = 1244 SQ. FT.  
 OVERALL REQUIRED VENTILATION:  
 1 TO 150 = 8.29 SQ. FT.  
 1 TO 300 = 4.15 SQ. FT.  
 50-80% IN TOP THIRD = 2.09 - 3.32 SQ. FT. (1 TO 300)  
 NET FREE AREA OF VENTED SOFFIT = 5.7 SQ. IN. / LINEAR FT.  
 NET FREE AREA OF RIDGE VENT = 10 SQ. IN. / LINEAR FT.  
 LOWER VENTING (BOTTOM 2/3 RISE)  
 65 LINEAR FEET OF SOFFIT X 5.7 SQ. IN. = 251 SQ. FT.  
 UPPER VENTING (TOP 1/3 RISE)  
 26 LINEAR FEET OF RIDGE X 10 SQ. IN. = 325 SQ. FT.  
 3.25 SQ. FT. BETWEEN 50% - 80%  
 (1 TO 300 ALLOWED)  
 TOTAL ROOF VENTILATION: 582 SQ. FT. > 4.15 SQ. FT. (REQ'D)



**ROOF PLAN ELEV. 4**

SCALE: 1/8" = 1'-0"

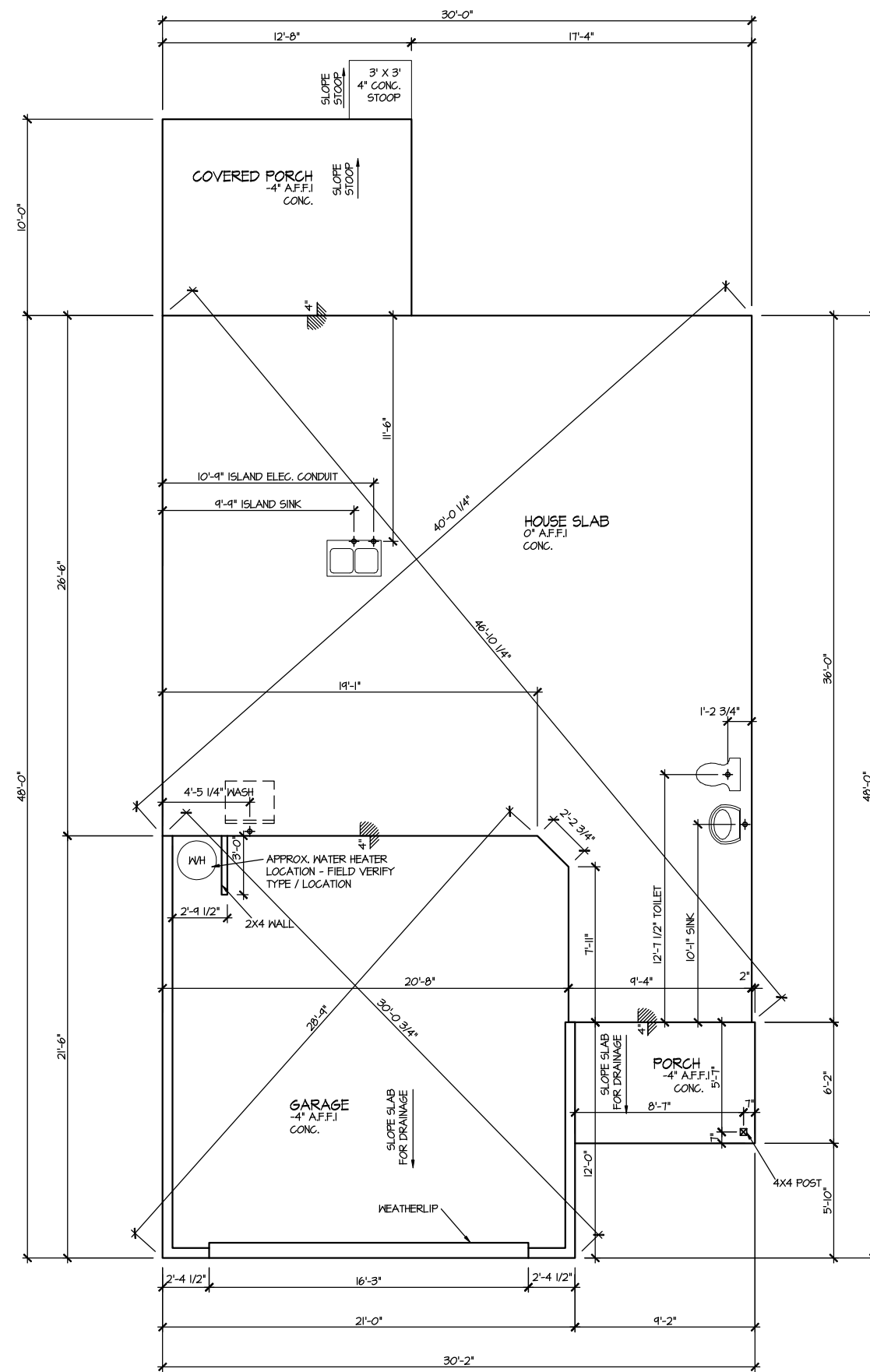
MASTER PLAN INFORMATION		UPDATED DATE
REVISION	DATE	
1-RALE	07-06-2018	11-08-2023

DRAWN BY:  
ITS  
 DATE:  
02/16/2024  
 PLAN NO.  
1930



HOUSE NAME:  
**MALBEC**  
 DRAWING TITLE  
ROOF PLAN

SHEET No.  
**A1.3**



**ELEVATION 4  
SLAB PLAN**

SCALE: 1/8" = 1'-0"

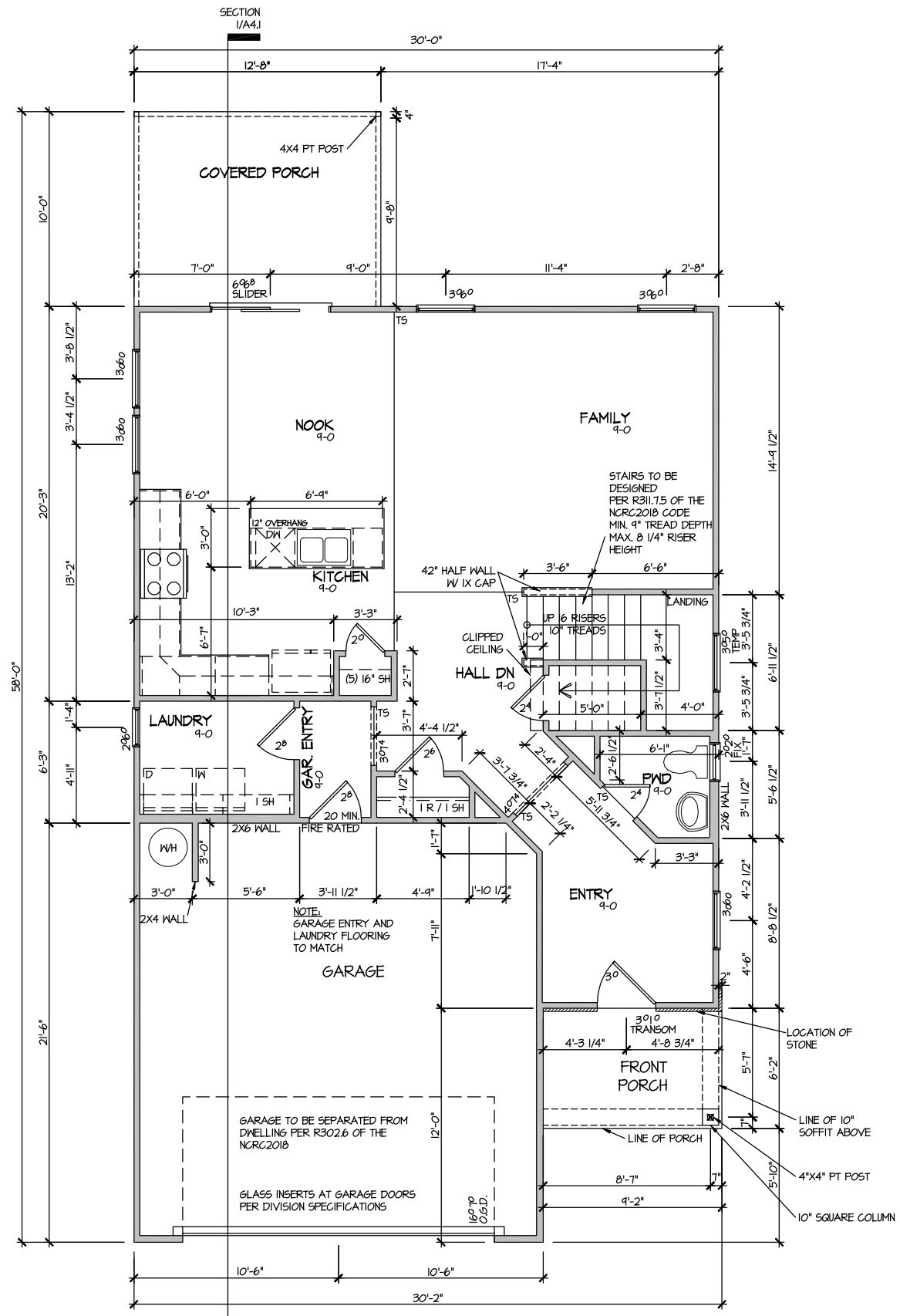
MASTER PLAN INFORMATION	
REVISION	DATE
1 - RALE	07-06-2018
UPDATED DATE	11-08-2023

DRAWN BY:	ITS
DATE:	02/16/2024
PLAN NO.	1930



HOUSE NAME:	MALBEC
DRAWING TITLE	SLAB PLAN

SHEET No.	A2.1
-----------	------



**ELEVATION 4  
FIRST FLOOR PLAN**

SCALE: 1/8" = 1'-0"

MASTER PLAN INFORMATION	
REVISION	DATE
1 - RALE	07-06-2018
UPDATED DATE	11-08-2023

DRAWN BY:	ITS
DATE:	02/16/2024
PLAN NO.	1930



HOUSE NAME:	MALBEC
DRAWING TITLE	FIRST FLOOR PLAN

SHEET No.	A3.1
-----------	------



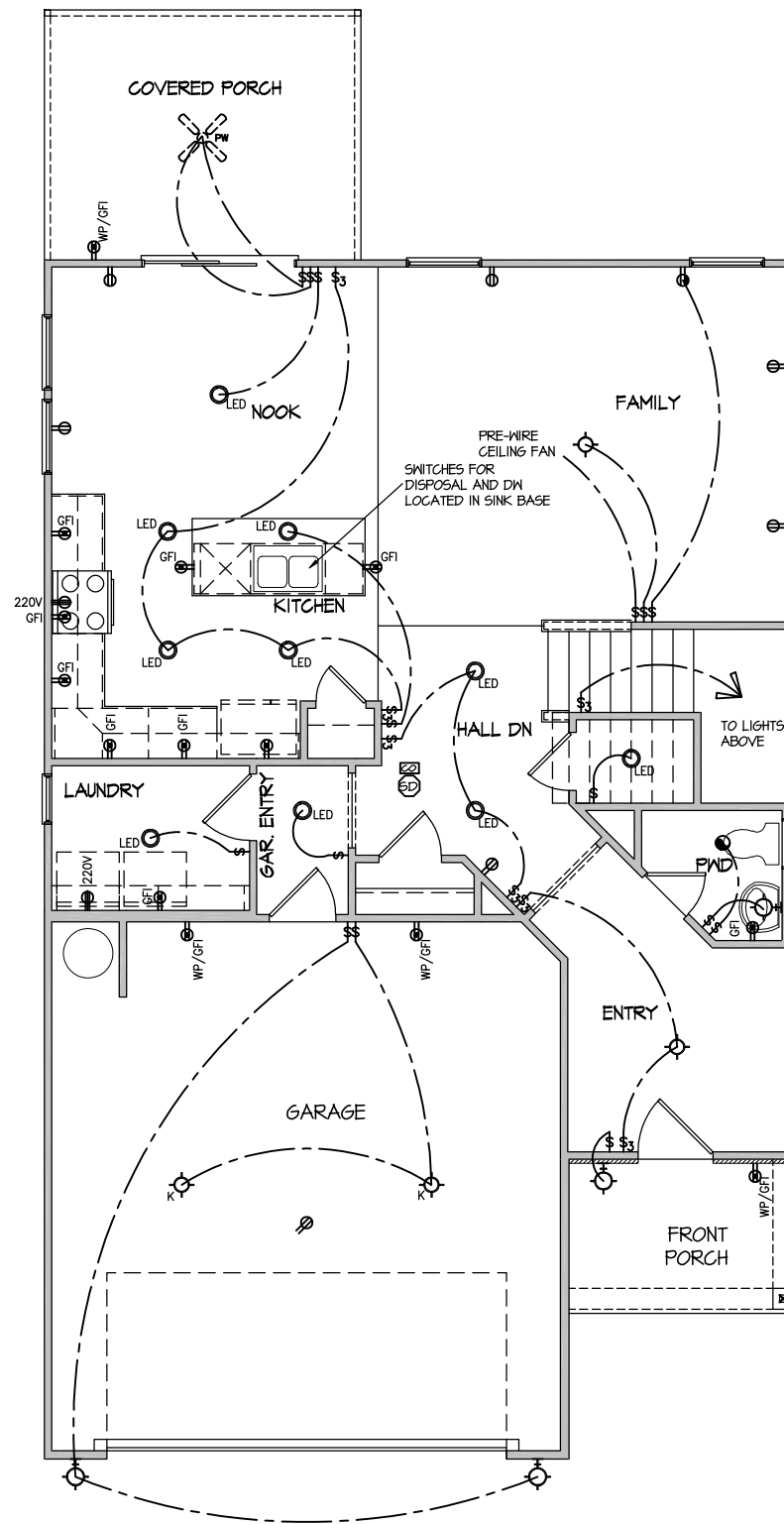




**ELECTRICAL LEGEND**

- Ⓢ SINGLE POLE SWITCH
- Ⓢ<sub>3</sub> THREE WAY SWITCH
- Ⓢ<sub>4</sub> FOUR WAY SWITCH
- ⓈⓈ DUPLEX AFCI RECEPTACLE
- ⓈⓈⓈ DUPLEX AFCI RECEPTACLE - BOTTOM HALF SWITCHED
- ⓈⓈⓈ DUPLEX AFCI RECEPTACLE - FLOOR MOUNTED
- 220V Ⓢ RECEPTACLE - 220V
- GFI ⓈⓈ DUPLEX AFCI RECEPTACLE - GFI
- WP/GFI ⓈⓈ DUPLEX AFCI RECEPTACLE - WATERPROOF GFI
- ⓈⓈ SMOKE DETECTOR - WIRED IN SERIES
- Ⓢ EXHAUST FAN MOTOR
- Ⓢ CO DETECTOR
- Ⓢ DOOR CHIME
- ⓈⓈ LIGHT FIXTURE - WALL MOUNTED
- ⓈⓈ LIGHT FIXTURE - CEILING MOUNTED
- Ⓢ<sub>LED</sub> LIGHT FIXTURE - LED SURFACE MOUNTED
- Ⓢ<sub>P</sub> FULLCHAIN LAMPHOLDER
- Ⓢ<sub>K</sub> KEYLESS LAMPHOLDER

NOTE: ALL ELECTRICAL WORK SHALL CONFORM TO THE REQUIREMENTS OF THE ADOPTED VERSION OF THE NATIONAL ELECTRICAL CODE, THE LOCAL POWER COMPANY AND TO ALL APPLICABLE LOCAL REGULATIONS.



**ELECTRICAL PLAN  
FIRST FLOOR - ELEV. 4**

SCALE: 1/8" = 1'-0"

MASTER PLAN INFORMATION	
REVISION	DATE
1 - RALE	07-06-2018
	UPDATED DATE
	11-08-2023

DRAWN BY:  
ITS  
DATE: 02/16/2024  
PLAN NO.  
1930



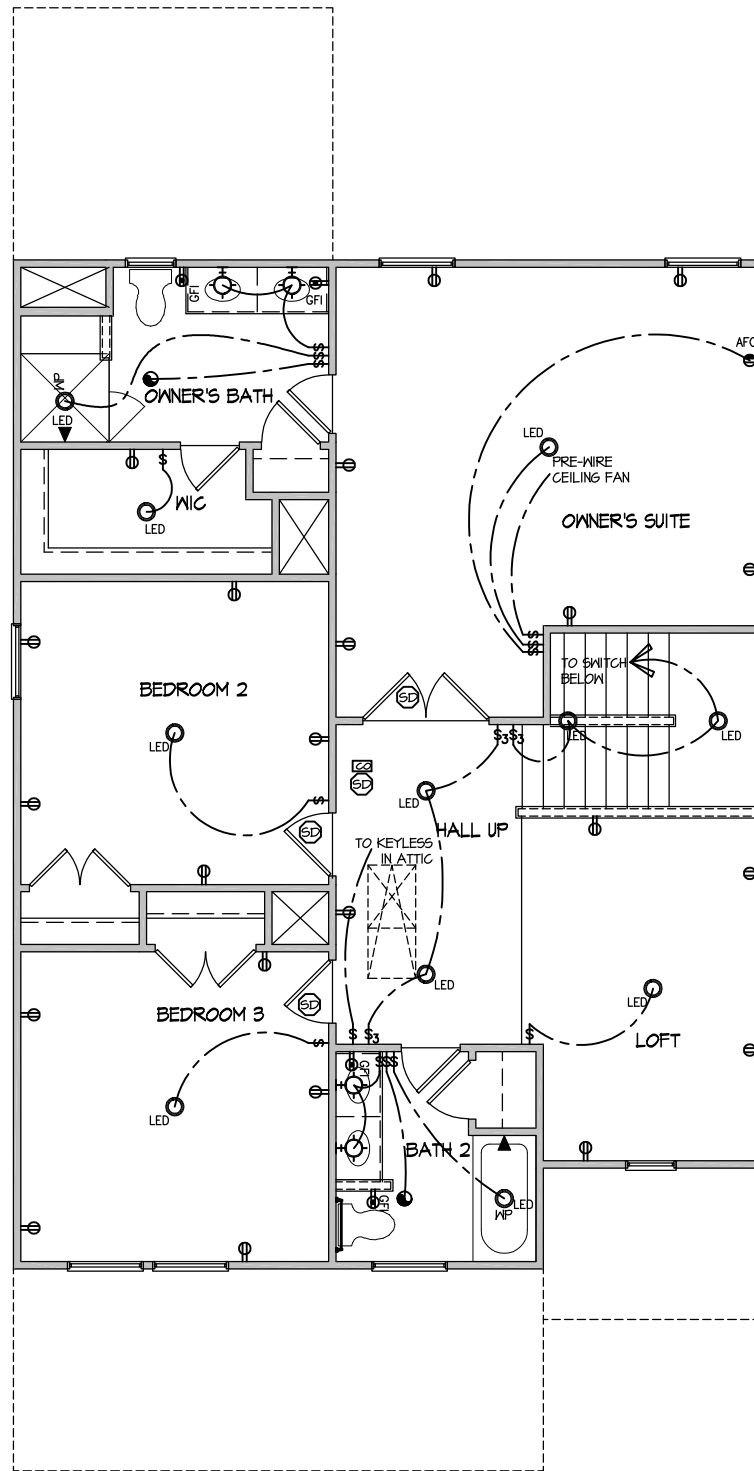
HOUSE NAME:  
**MALBEC**  
DRAWING TITLE  
FIRST FLOOR ELECTRICAL

SHEET No.  
**E.1**

**ELECTRICAL LEGEND**

- ⊕ SINGLE POLE SWITCH
- ⊕<sub>3</sub> THREE WAY SWITCH
- ⊕<sub>4</sub> FOUR WAY SWITCH
- ⊖ DUPLEX AFCI RECEPTACLE
- ⊖<sub>1/2</sub> DUPLEX AFCI RECEPTACLE - BOTTOM HALF SWITCHED
- ⊖<sub>F</sub> DUPLEX AFCI RECEPTACLE - FLOOR MOUNTED
- 220V ⊖ RECEPTACLE - 220V
- GFI ⊖ DUPLEX AFCI RECEPTACLE - GFI
- WP/GFI ⊖ DUPLEX AFCI RECEPTACLE - WATERPROOF GFI
- ⊕<sub>SD</sub> SMOKE DETECTOR - WIRED IN SERIES
- ⊕<sub>EF</sub> EXHAUST FAN MOTOR
- ⊕<sub>CO</sub> CO DETECTOR
- ⊕<sub>DC</sub> DOOR CHIME
- ⊕<sub>WM</sub> LIGHT FIXTURE - WALL MOUNTED
- ⊕<sub>CM</sub> LIGHT FIXTURE - CEILING MOUNTED
- ⊕<sub>LSM</sub> LIGHT FIXTURE - LED SURFACE MOUNTED
- ⊕<sub>F</sub> PULLCHAIN LAMPHOLDER
- ⊕<sub>K</sub> KEYLESS LAMPHOLDER

NOTE: ALL ELECTRICAL WORK SHALL CONFORM TO THE REQUIREMENTS OF THE ADOPTED VERSION OF THE NATIONAL ELECTRICAL CODE, THE LOCAL POWER COMPANY AND TO ALL APPLICABLE LOCAL REGULATIONS.



**ELECTRICAL PLAN  
SECOND FLOOR - ELEV. 4**

SCALE: 1/8" = 1'-0"

UPDATED DATE  
11-08-2023

MASTER PLAN INFORMATION  
REVISION DATE  
1-RALE 07-06-2018

DRAWN BY:  
ITS

DATE:  
02/16/2024

PLAN NO.  
1930



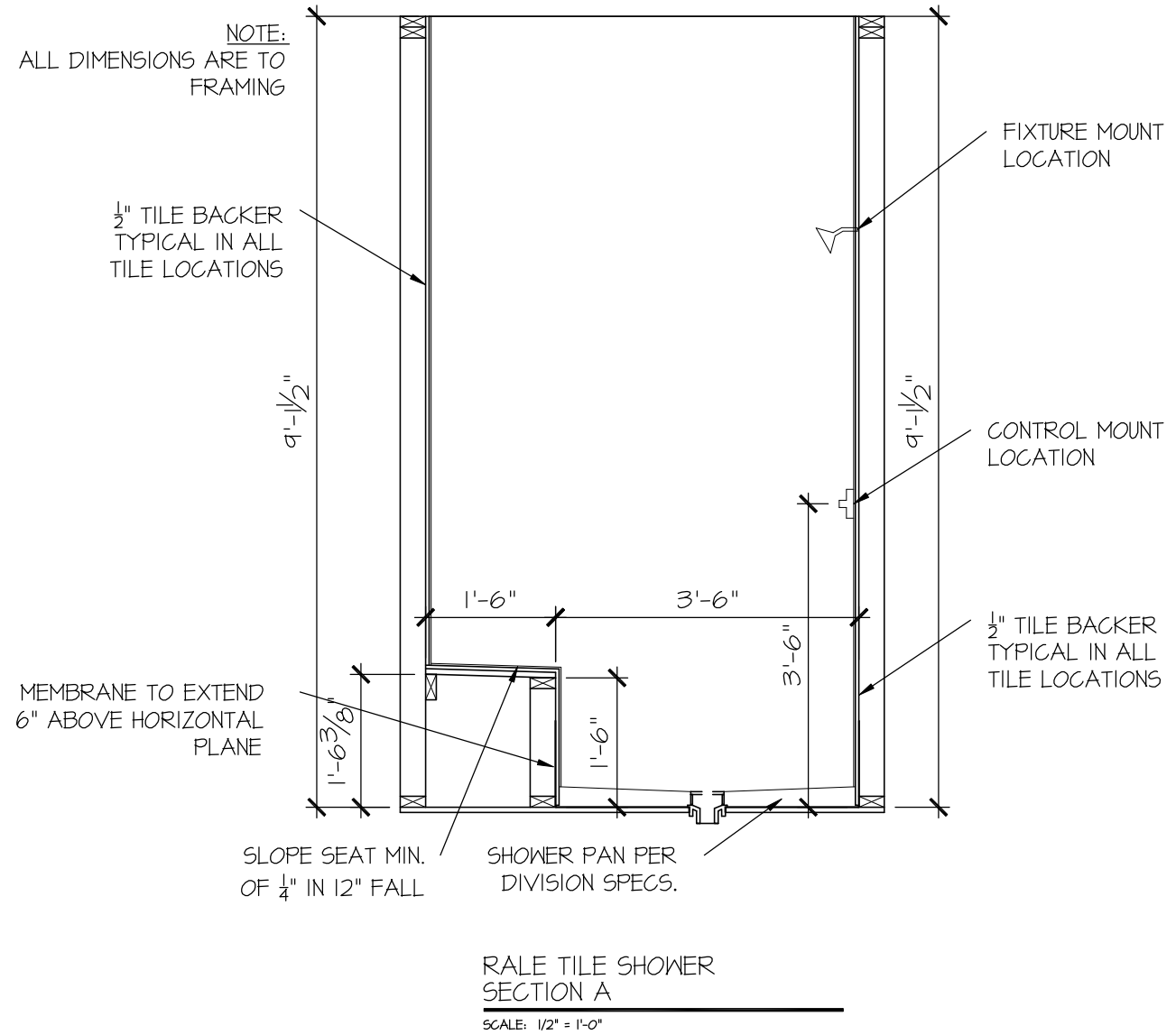
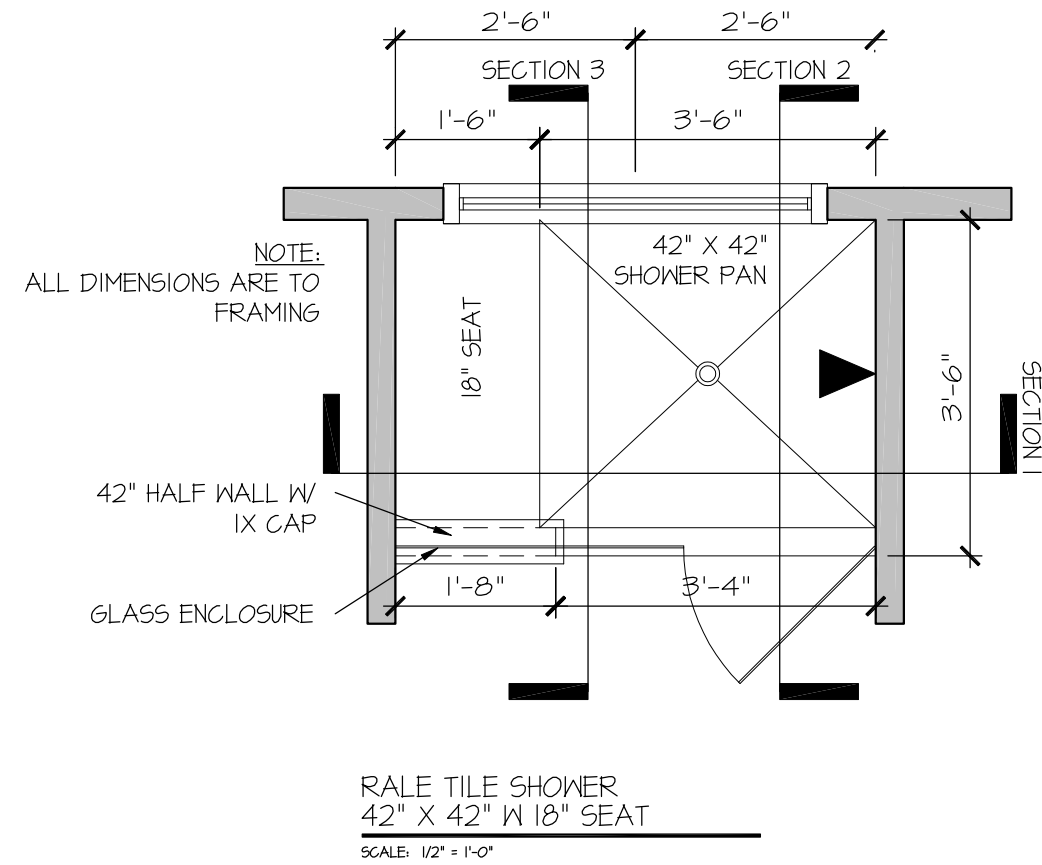
HOUSE NAME:  
**MALBEC**

DRAWING TITLE

SECOND FLOOR ELECTRICAL

SHEET No.

E1.2



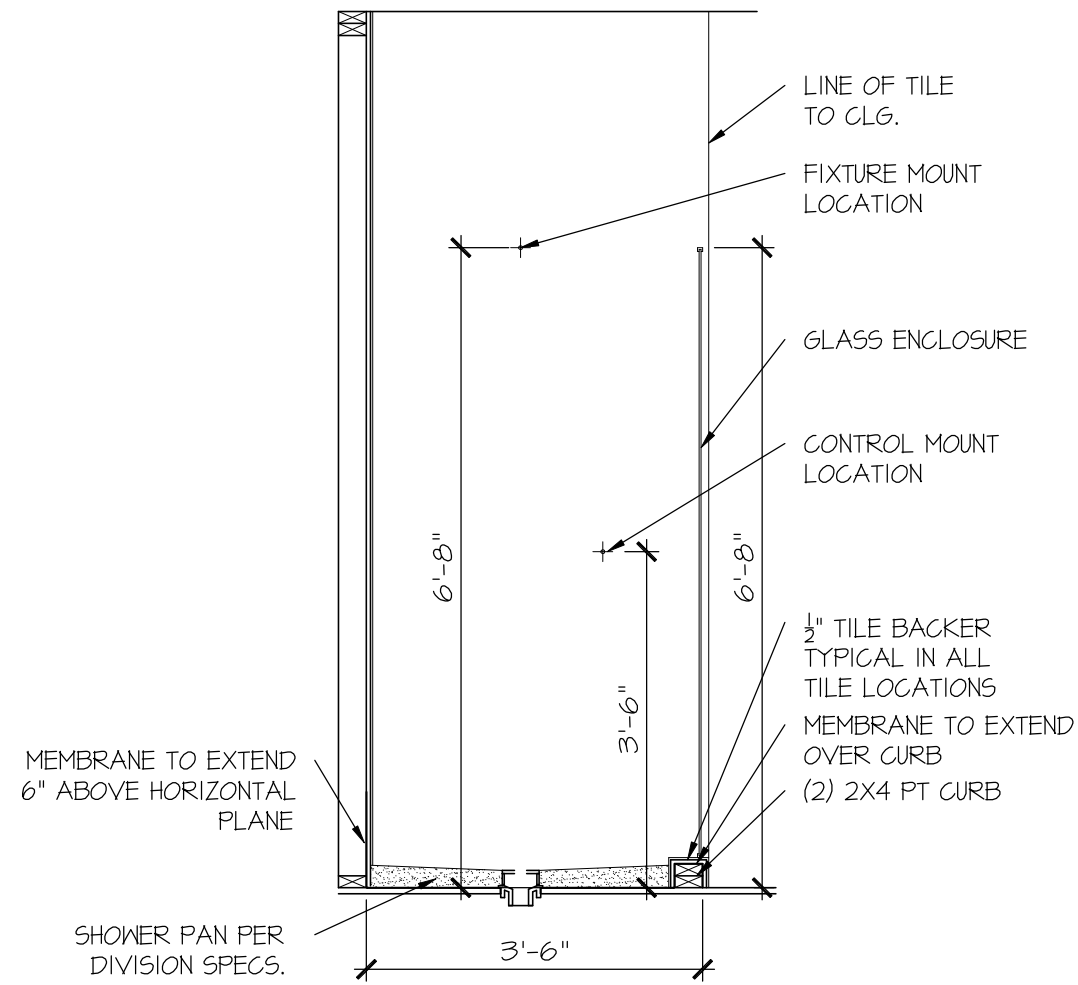
SEAL

DRAWN BY:  
L. BEAVERS  
DATE: 9/1/22  
PLAN NO.  
11 X 17 SCALE  
24 X 36 SCALE

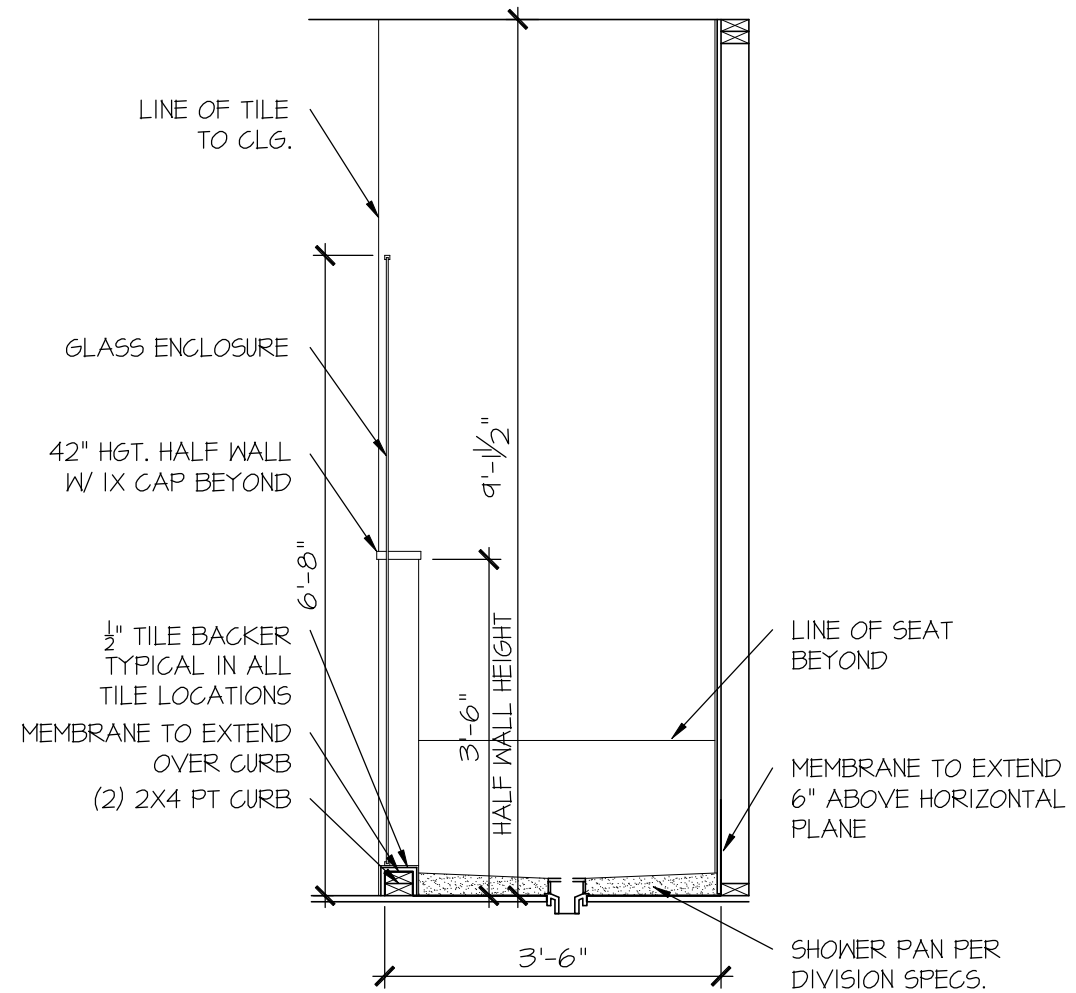


HOUSE NAME:  
DRAWING TITLE  
RALE TILE SHOWER DETAIL

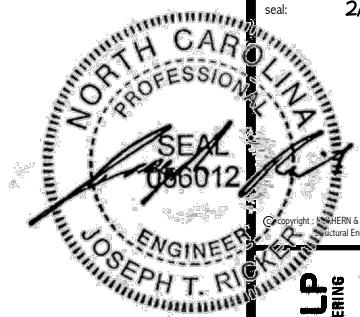
SHEET No.  
01.12



RALE TILE SHOWER SECTION B  
SCALE: 1/2" = 1'-0"



RALE TILE SHOWER SECTION C  
SCALE: 1/2" = 1'-0"



MULHERN+KULP  
RESIDENTIAL STRUCTURAL ENGINEERING  
3800 Bechtel Ave, Building 4 - Asheville, PA 17002  
P 717-948-2881 M mulhern@mkulpe.com



M&K project number:  
126-22076  
project mgr: JTR  
drawn by: SJF  
issue date: 02-19-24

REVISIONS:  
date: initial:

DRB HOMES

STRUCTURAL NOTES  
FARM AT NEIL'S CREEK  
LOT 75 - MALBEC 4  
RALEIGH, NC

sheet:  
S0.0

### GENERAL STRUCTURAL NOTES

**FOUNDATION**

- DESIGN IS BASED ON 2018 NORTH CAROLINA STATE BUILDING CODE: RESIDENTIAL CODE.
- FOOTING DESIGN - 2,000 PSF ALLOWABLE SOIL BEARING PRESSURE IS ASSUMED. BUILDER/CONTRACTOR MUST VERIFY.
- FASTEN 2x4/6 SILL PLATES TO FND WITH A MINIMUM OF 2 ANCHORS PER PLATE, 12" MAX. FROM PLATE ENDS - UTILIZING:
  - 1/2" DIA. ANCHOR BOLTS @ 6'-0" O.C. 7" MIN. EMBEDMENT (CONC), 15" MIN. EMBEDMENT (CMU)
  - SIMPSON MASA ANCHOR STRAPS @ 6'-0" O.C. (CONC)
  - SIMPSON MAB23 ANCHOR STRAPS @ 2'-8" O.C. (CMU)
 (REFER TO DETAILS FOR 10' TALL WALL ANCHOR REQUIREMENTS)
- ALL LUMBER EXPOSED TO WEATHER OR IN CONTACT W/ CONCRETE OR CMU SHALL BE PRESERVATIVE TREATED SOUTHERN PINE #2.
- BUILDER TO VERIFY CORROSION-RESISTANCE COMPATIBILITY OF HARDWARE & FASTENERS IN CONTACT W/ PRESERVATIVE-TREATED WOOD. CONTACT LUMBER & HARDWARE SUPPLIERS TO COORD.
- BASEMENT INTERIOR BEARING WALLS & EXTERIOR WALK-OUT BASEMENT WALLS SHALL BE 2x6 @ 16" O.C. SFF OR STYP, "STUD" GRADE OR BETTER.
- CONCRETE DESIGN BASED ON ACI 318. CONCRETE SHALL ATTAIN THE FOLLOWING MIN. COMPRESSIVE STRENGTHS IN 28 DAYS, U.N.O.:
  - f'c = 4,000 psi ..... FOUNDATION WALLS
  - 2,500 psi ..... FOOTINGS & INTERIOR SLABS ON GRADE
  - 3,000 psi ..... GARAGE & EXTERIOR SLABS ON GRADE
  - fy = 60,000 psi
- BASEMENT FOUNDATION WALL DESIGN BASED ON:
  - 9' OR 10' HEIGHT (AS NOTED ON PLANS)
  - TALLER WALLS MUST BE ENGINEERED.
  - NOMINAL WIDTH (4 1/2" FOR 10' THICK WALL).
- BASEMENT WALL DESIGN IS BASED ON 60 PCF BACKFILL SOIL TYPE CLASSIFICATIONS (SG, ML-CL, OR CL).
- BASEMENT WALLS SHALL BE BRACED, PRIOR TO BACKFILLING, BY ADEQUATE TEMPORARY BRACING OR INSTALL 1st FLOOR DECK.
- PROVIDE (2) #5 BARS AROUND ALL SIDES OF OPENINGS IN CONCRETE BSMT. FND. WALL WITH 2" CLEAR. REINFORCEMENT SHALL EXTEND 12" PAST CORNER OF OPENING IN ALL DIRECTIONS.
  - FOR OPENINGS UP TO 36", PROVIDE MINIMUM 10" CONCRETE DEPTH OVER OPENING OR (3)2x10 W/ (2)2x6 JACK STUDS, U.N.O.
  - LARGER OPENINGS SHALL BE PER PLAN.
- ALL CONCRETE EXPOSED TO THE WEATHER SHALL NOT HAVE LESS THAN 5% OR MORE THAN 1% AIR ENTRAINMENT.
- ALL FOOTINGS SHALL BEAR AT LEAST 12" BELOW FINISH GRADE.
- FOOTINGS AND SLABS ON GRADE SHALL BEAR ON VIRGIN SOIL OR 95% COMPACTED FILL.
- PROVIDE CONTROL JOINTS AT ALL INSIDE CORNERS OF SLAB EDGES, AND OTHER LOCATIONS WHERE SLAB CRACKS ARE LIKELY TO DEVELOP.
  - JOINTS SHALL BE LOCATED @ 10'-0" O.C. (RECOMMENDED) OR 15'-0" O.C. (MAXIMUM)
  - JOINT GRID PATTERN SHALL BE AS CLOSE TO SQUARES AS POSSIBLE (1:1 RATIO), WITH A MAXIMUM OF 1:1.5 RATIO
  - CONTROL JOINTS SHALL NOT BE INSTALLED IN STRUCTURAL SLABS
- CONCRETE MASONRY UNITS (CMU) SHALL BE ASTM C90 WITH A MIN. COMPRESSIVE STRENGTH OF 1900 psi (Fm=1500 psi). MORTAR SHALL BE ASTM C270, TYPE S. CMU DESIGN PER ACI 530 & 530.1.
- CMU FOUNDATION WALLS SHALL HAVE 'DUR-O-WALL' HORIZONTAL JOINT REINFORCEMENT (OR EQUAL) - 9 GA. MINIMUM @ 16" O.C.
- PROVIDE 2x8 x 16" LONG P.T. PLATE ON TOP OF ALL CRAWL SPACE PIERS. ALL PIERS SHALL BE GROUTED SOLID.
- PROVIDE 2x6 P.T. PLATE ON INTERIOR CRAWL SPACE WALLS, FASTENED PER ANCHORAGE SPECIFICATION NOTED ABOVE.
- DIMENSIONS BY OTHERS, BUILDER TO VERIFY.
- BUILDER TO VERIFY THAT MODEL HAS BEEN ADEQUATELY TREATED BY A LICENSED AND BONDED PEST CONTROL COMPANY FOR SUBTERRANEAN TERMITES. METHOD AND TYPE OF TREATMENT TO BE DETERMINED BY PEST CONTROL COMPANY.

### MEANS & METHODS NOTES

THE STRUCTURE IS DESIGNED TO BE SELF SUPPORTING AND STABLE AFTER THE BUILDING IS FINISHED AND ALL PLAN, DETAIL, AND NOTE SPECIFICATIONS HAVE BEEN COMPLETED. IT IS THE CONTRACTOR'S SOLE RESPONSIBILITY TO DETERMINE THE ERECTION PROCEDURES AND SEQUENCE TO INSURE THE SAFETY OF THE BUILDING AND ITS COMPONENTS DURING CONSTRUCTION. THIS INCLUDES, BUT IS NOT LIMITED TO, THE ADDITION OF NECESSARY SHORING, SHEETING, TEMPORARY BRACING, GUYS, AND TIE-DOWNS. CONTRACTOR SHALL BE RESPONSIBLE FOR ALL SHORING AND BRACING REQUIRED TO STABILIZE AND PROTECT EXISTING AND ADJACENT STRUCTURES AND SYSTEMS DURING COURSE OF DEMOLITION AND CONSTRUCTION OF THE PROJECT.

STRUCTURAL DESIGN AND SPECIFICATIONS ASSUME THAT ALL SUPPORTING AND NON-SUPPORTING ELEMENTS IN CONTACT WITH FLOOR FRAMING ARE LEVEL, INCLUDING, BUT NOT LIMITED TO; FOUNDATIONS, SLABS ON GRADE, BEAMS, WALLS, AND NON-BEARING ELEMENTS. IT IS THE CONTRACTOR'S RESPONSIBILITY TO VERIFY LEVELNESS AND MAKE ADJUSTMENTS AS NECESSARY, INCLUDING CONSIDERATION OF THOSE AREAS THAT MAY BE WITHIN CONTRACTUAL, INDUSTRY, OR WARRANTY TOLERANCES.

### ADDITIONAL NOTES FOR TRUSS & I-JOIST MANUFACTURER

ROOF TRUSS, FLOOR TRUSS AND ENGINEERED JOISTS SHALL BE DESIGNED TO MEET THE DIFFERENTIAL DEFLECTION CRITERIA BELOW, UNLESS NOTED OTHERWISE ON PLAN.

TRUSSES/JOISTS SHALL BE DESIGNED SO THAT DIFFERENTIAL DEFLECTION BETWEEN ADJACENT PARALLEL TRUSSES/JOISTS OR GIRDER TRUSSES/FLASH BEAMS DO NOT EXCEED THE FOLLOWING:

- ROOF TRUSSES:
  - 1/4" DEAD LOAD
- FLOOR TRUSSES, ATTIC TRUSSES, & I-JOISTS:
  - 1/8" DEAD LOAD
- FLOOR TRUSSES & ATTIC TRUSSES ADJACENT TO FLOOR FRAMING BY OTHERS:
  - LIMIT ABSOLUTE TRUSS DEFLECTION TO 3/16" DEAD LOAD. (NOT DIFFERENTIAL DEFLECTION)

### VENEER LINTEL SCHEDULE

SPAN (MAX)	HEIGHT OF VENEER ABOVE LINTEL	STEEL ANGLE SIZE
3'-0"	20 FT. MAX	L3"x3"x1/4"
	3 FT. MAX	L3"x3"x1/4"
6'-0"	12 FT. MAX	L4"x3"x1/4"
	20 FT. MAX	L5"x3"x3/8"
8'-0"	3 FT. MAX	L4"x4"x1/2" **
	12 FT. MAX	L5"x3"x3/8"
9'-6"	16 FT. MAX	L6"x3"x3/8"
	12 FT. MAX	L6"x3"x3/8"
16'-0"	2 FT. MAX	L7"x4"x1/2" **
	3 FT. MAX	L8"x4"x1/2" **

ALL LINTELS:  
 - SHALL SUPPORT 2 3/4" - 3 1/2" VENEER w/ 40 psf MAXIMUM HEIGHT.  
 - 16" SHALL HAVE 4" MIN. BEARING  
 - 18" SHALL HAVE 8" MIN. BEARING  
 - 18" SHALL NOT BE FASTENED BACK TO HEADER.  
 - 16" SHALL BE FASTENED BACK TO WOOD HEADER IN WALL @ 48" O.C. w/ 1/2" DIA. x 3 1/2" LONG LAG SCREWS IN 2" LONG VERTICALLY SLOTTED HOLES.  
 - MAX. VENEER HT. APPLIES TO ANY PORTION OF BRICK OVER THE OPENING.  
 - ALL LINTELS SHALL BE LONG LEG VERTICAL.  
 - WHEN SUPPORTING VENEER > 3" WIDE THE EXTERIOR TOE OF THE HORIZONTAL LEG MAY BE CUT IN THE FIELD TO BE 3/4" WIDE OVER THE BEARING LENGTH ONLY. THIS IS TO ALLOW FOR MORTAR JOINT FINISHING.  
 - SEE STRUCTURAL PLANS FOR ANY LINTEL CONDITION NOT ENCOMPASSED BY THE ABOVE PARAMETERS.  
 - FOR QUEEN VENEER USE L-16x6".  
 - FOR 3/2" VENEER ONLY. SEE PLAN FOR VENEER SUPPORT IF VENEER > 3/2" THICK.

### LEGEND

- ▬ INTERIOR BEARING WALL
- ▬ BEARING WALL ABOVE
- ▬ BEAM / HEADER
- ▬ INDICATES SHEAR WALL & EXTENT
- ▬ EXTENT OF OVERFRAMING
- JL METAL HANGER
  - INDICATES POST ABOVE. PROVIDE SOLID BLOCKING UNDER POST OR JAMB ABOVE.
  - INDICATES HOLD-DOWN OR STRAP. REFER TO SCHEDULE.

### NON-BEARING HEADER SCHEDULE

SPAN	2x4 NON-BEARING PARTITION WALL	2x6 NON-BEARING PARTITION WALL
UP TO 3'-0"	(1)2x4 FLAT	(1)2x6 FLAT
UP TO 6'-0"	(2)2x4	(3)2x4
UP TO 8'-0"	(2)2x6	(3)2x6

NOTES:  
 • ALL NON-BEARING INTERIOR STUD WALLS SHALL BE CONSTRUCTED WITH 2x "STUD" GRADE MEMBERS SPACED @ 24" O.C. (MAX.)

### LATERAL BRACING & SHEAR WALL SHEATHING SPECIFICATIONS

THIS MODEL HAS BEEN DESIGNED TO RESIST LATERAL FORCES RESULTING FROM:  
**120 MPH WIND IN 2018 NCSBC:RC**  
 (120 MPH WIND SPEED IN ASCE 7-10 WIND MAP, PER IRC R301.2.1.1) EXP. B, RISK CAT. 2 & SEISMIC CAT. A/B.

THE DESIGN WAS COMPLETED PER 2015 IBC (SECTION 1604) & ASCE 7-10, AS PERMITTED BY R301.1.3 OF THE 2018 NCSBC:RC, OR THE SIMPLIFIED PRESCRIPTIVE PROCEDURE IN ACCORDANCE WITH THE 2015 IRC IF THE PARAMETERS OF SECTION R602.12 COMPLY. ACCORDINGLY, THIS MODEL, AS DOCUMENTED AND DETAILED HEREIN, IS ADEQUATE TO RESIST THE CODE REQUIRED LATERAL FORCES.

DESIGN WIND UPLIFT LOADS HAVE BEEN CALCULATED UTILIZING ASCE 7-10 (ACCEPTED ENGINEERING PRACTICE) AS ALLOWED PER 2018 NCSBC:RC SECTION R802.11.1.1. THIS MODEL HAS BEEN DETAILED WHERE REQUIRED & ENGINEERED TO RESIST THE WIND UPLIFT LOAD PATH PER SECTIONS R602.3.5 & R802.11.

### EXT. WALL SHEATHING SPECIFICATION

- 7/16" OSB OR 15/32" PLYWOOD:
  - FASTEN SHEATHING w/ 2 3/8"x0.131" NAILS @ 6" O.C. AT EDGES & @ 12" O.C. IN THE PANEL FIELD. TYP. U.N.O.
- HORIZONTAL BLOCKING OF EXT. WALL/SHEAR WALL PANEL EDGES IS NOT REQUIRED BY THIS DESIGN EXCEPT FOR THOSE AREAS SPECIFICALLY NOTED.
- ALL EXT. WALLS SHALL BE CONTINUOUSLY SHEATHED AND ARE CONSIDERED SHEAR WALLS.
- ALT. STAPLE CONNECTION SPEC: 1 1/2" 16 GA STAPLES (3/8" CROWN) @ 3" O.C. AT EDGES & @ 6" O.C. IN FIELD.

### BLOCKED PANEL EDGES

- AT DESIGNATED AREAS - FASTEN SHEATHING w/ 2 3/8" x 0.131" NAILS @ 6" O.C. AT ALL PANEL EDGES AND 12" O.C. IN THE PANEL FIELD OR 1 3/4" 16 GA STAPLES (3/8" CROWN) @ 3" O.C. AT EDGES & @ 6" O.C. IN FIELD. ALL SHEATHING PANELS SHALL BE ORIENTED AND INSTALLED FULL HEIGHT OF SHEAR WALL OR 2x HORIZONTAL BLOCKING SHALL BE PROVIDED TO SUPPORT ALL UNSUPPORTED PANEL EDGES & EDGE FASTENING.

### 3" O.C. EDGE NAILING

- AT DESIGNATED AREAS - FASTEN PANEL EDGES OF WOOD STRUCTURAL WALL SHEATHING TO FRAMING w/ 8d NAILS @ 3" O.C. NO STAPLE ALTERNATIVE AVAILABLE AT THIS SPEC. ALL SHEATHING PANELS SHALL BE ORIENTED AND INSTALLED FULL HEIGHT OF SHEAR WALL OR 2x HORIZONTAL BLOCKING SHALL BE PROVIDED TO SUPPORT UNSUPPORTED PANEL EDGES AND 3" O.C. EDGE FASTENING.

### NOTES

- SEE CONNECTION SPECIFICATIONS CHART FOR STANDARD SHEAR TRANSFER DETAILING. IF ADDITIONAL CAPACITY IS REQUIRED BY DESIGN, IT WILL BE SPECIFICALLY NOTED ON PLAN.
- DESIGN ASSUMES 16" O.C. MAX. STUD SPACING, U.N.O.
- ALL STRUCTURAL PANELS ARE TO BE DIRECTLY APPLIED TO STUD FRAMING.
- PRE-MANUFACTURED PANELIZED WALLS: FASTEN TOGETHER END STUDS OF WALL PANELS SHEATHED w/ OSB OR PLYWOOD w/ 3" x 0.120" NAILS @ 4" O.C. (THRU ONE SIDE ONLY)

- ▬▬▬ INDICATES EXTENT OF INT. OSB SHEARWALL OR 3" O.C. OSB SHEARWALL.
- ▶ INDICATES HOLDDOWN BELOW

### FLOOR FRAMING

- I-JOISTS/TRUSSES SHALL BE DESIGNED BY MANUF. TO MEET OR EXCEED L/480 LIVE LOAD DEFLECTION CRITERIA. (EXCLUDES MARBLE FLOORS - CONTACT M&K FOR MARBLE FLOOR DESIGNS)
- AT I-JOIST FLOORS, PROVIDE 1 1/8" MIN. OSB RIM BOARD.
- METAL HANGERS SHALL BE SPECIFIED BY MANUFACTURER, U.N.O.

- FLOOR SHEATHING SHALL BE 23/32" A.P.A. RATED 'STUD-I-FLOOR' 24" O.C. EXPOSURE 1 (OR APPROVED EQUAL) WITH TONGUE AND GROOVE EDGES. FASTEN TO FRAMING MEMBERS W/ GLUE AND
  - 2 1/2" x 0.131" NAILS @ 6" O.C. @ PANEL EDGES & @ 12" O.C. FIELD.
  - 2 3/8" x 0.120" NAILS @ 4" O.C. @ PANEL EDGES & @ 8" O.C. FIELD.
  - 2 3/8" x 0.113" NAILS @ 3" O.C. @ PANEL EDGES & @ 6" O.C. IN FIELD.
  - 3/8" x 2" MIN. SCREWS @ 6" O.C. @ PANEL EDGES & @ 12" O.C. FIELD.

### ROOF FRAMING

- BAY WINDOWS & SHED ROOFS (UP TO 6' SPAN) CAN BE 2x4 OR 2x6 RAFTERS & CEILING JOISTS @ 16/24" O.C.

- FASTEN EACH ROOF TRUSS TO TOP PLATE W/ SIMPSON H25T CLIP (OR APPROVED EQUAL) @ ALL BEARING POINTS. PROVIDE (2) H25T CLIPS AT 2-PLY GIRDER TRUSSES, (3) H25T CLIPS AT 3-PLY GIRDER TRUSSES & ROOF BEAMS - AT ALL BEARING POINTS.
- METAL HANGERS SHALL BE SPECIFIED BY THE MANUFACTURER, U.N.O.

- ERECT AND INSTALL ROOF TRUSSES PER NTCA & TPI'S BC51 I-08 GUIDE TO GOOD PRACTICE FOR HANDLING, INSTALLING & BRACING OF METAL PLATE CONNECTED WOOD TRUSSES.
- SUPPORT PORCH & SHORT SPAN ROOF TRUSSES (MAX T' SPAN) W/ 2x4 LEDGER FASTENED TO:
  - RIM BOARD W/ (2) 3"x0.131" NAILS @ 16" O.C. MAX. (I-JOISTS)
  - TRUSS VERTICALS W/ (3) 3"x0.131" NAILS @ 19.2" O.C. MAX. (FLOOR TRUSSES)

- ROOF SHEATHING SHALL BE 7/16" A.P.A. RATED SHEATHING 24/16 EXPOSURE 1 (OR APPROVED EQUAL). FASTEN TO FRAMING MEMBERS
  - w/ 2 1/2" x 0.131" NAILS @ 6" O.C. @ PANEL EDGES & @ 12" O.C. FIELD.
  - w/ 2 3/8" x 0.120" NAILS @ 4" O.C. @ PANEL EDGES & @ 8" O.C. FIELD.
  - w/ 2 3/8" x 0.113" NAILS @ 3" O.C. @ PANEL EDGES & @ 6" O.C. FIELD.

### HOLD-DOWN SCHEDULE

SYMBOL	SPECIFICATION
▶ HD-1	SIMPSON HTT4 HOLD-DOWN *
▶ HD-2	SIMPSON MSTC66 STRAP TIE (CENTER STRAP ON FLOOR SYSTEM U.N.O.) (PRE-BENT MSTC66 ALT. WHEN SPECIFIED)
▶ HD-3	SIMPSON STDH4/14RJ HOLD-DOWN

ALTERNATIVE TO 56T24 ANCHOR BOLT SPECIFICATION:  
 \* UTILIZE SIMPSON "SET" EPOXY SYSTEM TO FASTEN 3/8" DIA. THREADED ROD INTO CONCRETE FOUNDATION. PROVIDE 12" MIN. EMBEDMENT INTO CONCRETE. INSTALL PER MANUF. RECOMMENDATIONS. DO NOT LOCATE ANCHORS WITHIN 1 3/4" OF EDGE OF FOUNDATION.

**SD2.1 REFERS TO SD2.1A FOR LVL/PSL/LSL BEAMS OR SD2.1B FOR FLITCH BEAMS OR SD2.1C FOR STEEL BEAMS**

### GENERAL STRUCTURAL NOTES

- DESIGN IS BASED ON 2018 NORTH CAROLINA STATE BUILDING CODE: RESIDENTIAL CODE.
- WOOD FRAME ENGINEERING IS BASED ON NDS, "NATIONAL DESIGN SPECIFICATION FOR WOOD CONSTRUCTION" - LATEST EDITION.
- DESIGN LOADS:
  - ROOF DEAD = 7 PSF T.C., 10 PSF B.C. LIVE = 16 PSF LOAD DURATION FACTOR = 1.25
  - FLOOR LIVE = 40 PSF (30 PSF @ SLEEPING AREAS) DEAD = 10 PSF (I-JOISTS & SOLID SAWN) 10 PSF T.C., 5 PSF B.C. (TRUSSES) (ADD'L 10 PSF @ TILE)
  - LATERAL 120 MPH, EXPOSURE B. SEISMIC A/B.
  - SOIL 2,000 PSF ASSUMED ALLOWABLE BEARING PRESSURE (TO BE VERIFIED BY BUILDER)

### GENERAL FRAMING

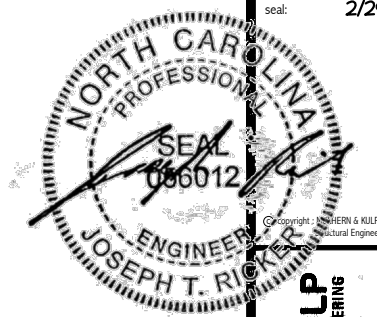
- ALL TYP. NAIL FASTENER REQUIREMENTS ARE NOTED IN STANDARD CONNECTIONS TABLE OR ON PLANS. ALL NAILS SPECIFIED ARE MIN DIAMETER AND LENGTH REQUIRED FOR CONNECTION. ALL HANGER NAILS SHALL BE INSTALLED PER MANUFACTURER'S REQUIREMENTS FOR MAX CHARTED CAPACITY. NOTE: HANGERS USE COMMON NAIL DIAMETERS NOT TYPICAL FRAMING GUN NAILS.
- REFER TO FASTENING SCHEDULE TABLE R602.3(1) FOR ALL CONNECTIONS, TYP. U.N.O.
- EXT. & INT. BRG WALLS SHALL BE 2x4 OR 2x6 (AS SHOWN ON PLANS) @ 16" O.C. SFF OR STYP "STUD" GRADE LUMBER, OR BETTER, U.N.O.
  - WALLS OVER 12' TALL SHALL BE PER PLAN.
- ALL HEADERS, BEAMS & OTHER STRUCTURAL MEMBERS SHALL BE SPRUCE-PINE-FIR #2 (SFF) OR SOUTHERN PINE #2 (STYP) LUMBER, OR BETTER (KILN-DRIED). ALL HEADERS HAVE BEEN DESIGNED BASED ON CALCULATED LOADS & SIZED ACCORDINGLY. CODE TABLES HAVE NOT BEEN USED.
- ALL NON-BEARING INTERIOR STUD WALLS SHALL BE CONSTRUCTED WITH 2x "STUD" GRADE MEMBERS SPACED @ 16" O.C. (MAX. U.N.O.)
  - HEADERS IN NON-LOAD BEARING WALLS SHALL BE: (1)2x4/6 FLAT @ OPENINGS UP TO 4'; (2)2x4/6 FLAT UP TO 8'.
- ALL FRAMING LUMBER SHALL BE DRIED TO 15% MC (KD-15).
- ENGINEERED LUMBER BEAMS TO MEET OR EXCEED THE FOLLOWING:
  - LSL - Fb=2325 psi; Fv=310 psi; E=1.55x10<sup>6</sup> psi
  - LVL - Fb=2600 psi; Fv=285 psi; E=2.0x10<sup>6</sup> psi
  - PSL - Fb=2400 psi; Fv=240 psi; E=2.0x10<sup>6</sup> psi
- M&K SHALL BE FULLY INDEMNIFIED FOR ANY AND ALL ISSUES RESULTING FROM OR RELATED TO ANY BUILDING COMPONENT IF THE OWNER DOES NOT SUBMIT THE COMPONENT SHOP DRAWINGS TO M&K FOR STRUCTURAL REVIEW PRIOR TO FABRICATION, DELIVERY, OR INSTALLATION.
- FOR 2 & 3 PLY BEAMS OF EQUAL WIDTH, FASTEN PLIES TOGETHER WITH 3 ROWS OF 3"x0.120" NAILS @ 8" O.C. OR 2 ROWS 1/4"x3/2" SIMPSON SDS SCREWS (OR 3/2" TRUSSLOK SCREWS) @ 16" O.C. USE A MINIMUM OF 3 ROWS FOR BEAM DEPTHS OF 14" OR GREATER. APPLY FASTENING AT BOTH FACES FOR 3-PLY CONDITION. LOCATE TOP & BOTTOM NAILS/SCREWS 2" FROM EDGE. SOLID 3 1/2" OR 5 1/4" BEAMS ARE ACCEPTABLE. USE 2 ROWS OF NAILS FOR 2x6 & 2x8 MEMBERS.
- FOR 4 PLY BEAMS OF EQUAL WIDTH, FASTEN PLIES TOGETHER WITH 3 ROWS OF 1/4"x6" SIMPSON SDS SCREWS (OR 6 3/4" TRUSSLOK SCREWS) @ 16" O.C. USE A MINIMUM OF 4 ROWS FOR BEAM DEPTHS OF 14" OR GREATER. APPLY FASTENING AT BOTH FACES (ONE SIDE ONLY FOR TRUSSLOK SCREWS). LOCATE TOP AND BOTTOM SCREWS 2" FROM EDGE. A SOLID T' BEAM IS ACCEPTABLE.
- ALL HEADERS SHALL BE SUPPORTED BY (1)2x JACK STUD & (1)2x KING STUD, MINIMUM.
  - THE NUMBER OF STUDS SPECIFIED AT A SUPPORT INDICATES THE NUMBER OF JACK STUDS REQUIRED, U.N.O.
- ALL MULTI-PLY STUDS TO BE FASTENED TOGETHER W/ 3"x0.131" NAILS @ 24" O.C. (MIN), EACH PLY.
- PROVIDE SOLID BLOCKING IN FLOOR SYSTEM UNDER ALL POSTS CONTINUOUS TO FND/BEARING. BLOCKING TO MATCH POST ABOVE.
- FASTEN 2x WOOD PLATES TO TOP FLANGE OF STEEL BEAMS WITH P.A.F.'s (HILT' X-CF PINS OR EQUAL) @ 16" O.C. STAGGERED, OR 1/2" DIA. BOLTS @ 48" O.C. STAGGERED.
- ALL EXTERIOR 4x4 WOOD POSTS SHALL HAVE SIMPSON BC52-2/4 CAP & ABW44Z BASE, U.N.O.

### CONNECTION SPECIFICATIONS (TYP. U.N.O.)

DESCRIPTION OF BLDG. ELEMENT	3"x0.131" NAILS	3"x0.120" NAILS
JOIST TO SOLE PLATE	(3) TOENAILS	(3) TOENAILS*
SOLE PLATE TO JOIST/BLK'G.	(3) NAILS @ 4" o.c.	(3) NAILS @ 4" o.c.
STUD TO SOLE PLATE	(2) TOENAILS	(3) TOENAILS*
TOP OR SOLE PLATE TO STUD	(2) NAILS	(3) NAILS
RIM TO TOP PLATE	TOENAILS @ 8" o.c.	TOENAILS @ 6" o.c.*
BLK'G. BTWN. JOISTS TO TOP PL.	(3) TOENAILS	(3) TOENAILS*
DOUBLE STUD	NAILS @ 24" o.c.	NAILS @ 16" o.c.
DOUBLE TOP PLATE	NAILS @ 24" o.c.	NAILS @ 16" o.c.
DOUBLE TOP PLATE LAP SPLICE	(4) NAILS IN LAPPED AREA	(1) NAILS IN LAPPED AREA
TOP PLATE LAP @ CORNERS & INTERSECTING WALLS	(2) NAILS	(2) NAILS

\* 2 3/8"x0.113 IS AN ACCEPTABLE ALTERNATIVE TO A 3"x0.120", SAME SPACING OR NUMBER OF NAILS. (ONLY ACCEPTABLE WHERE \* ARE SHOWN)





**MULHERN+KULP**  
RESIDENTIAL STRUCTURAL ENGINEERING  
300 Beavertide Ave, Building 4 - Asheville, PA 18002  
P 716-948-8881 • mulhern+kulp.com  
NC LICENSE #C-3825

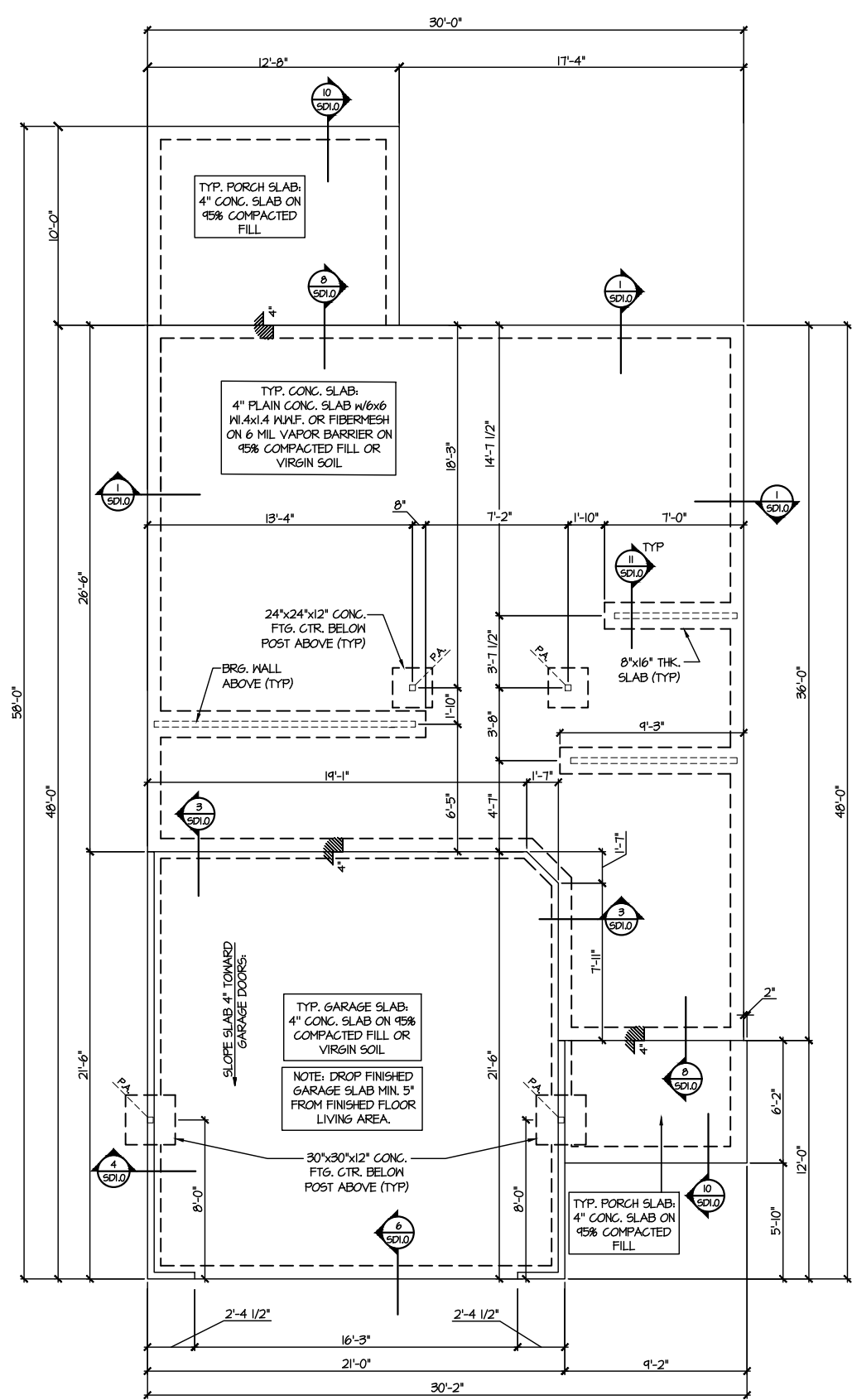
M&K project number:  
126-22076  
project mgr: JTR  
drawn by: SJF  
issue date: 02-19-24

REVISIONS:  
date: initial:



FOUNDATION PLANS  
FARM AT NEIL'S CREEK  
LOT 75 - MALBEC 4  
RALEIGH, NC

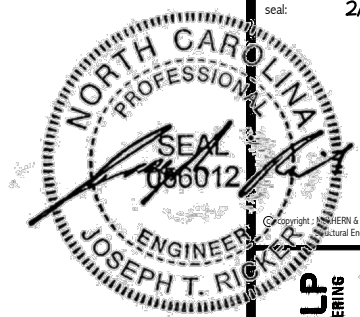
sheet:  
**S1.0**



**MONO SLAB FOUNDATION PLAN**  
SCALE: 1/8"=1'-0"

LEGEND	
	INTERIOR BEARING WALL
	BEARING WALL ABOVE
	BEAM / HEADER
	INDICATES SHEAR WALL & EXTENT
	EXTENT OF OVERFRAMING
	JL METAL HANGER
	* INDICATES POST ABOVE. PROVIDE SOLID BLOCKING UNDER POST OR JAMB ABOVE.
	INDICATES HOLD-DOWN OR STRAP. REFER TO SCHEDULE.

REFER TO SO.0 FOR  
TYPICAL STRUCTURAL NOTES  
& SCHEDULES



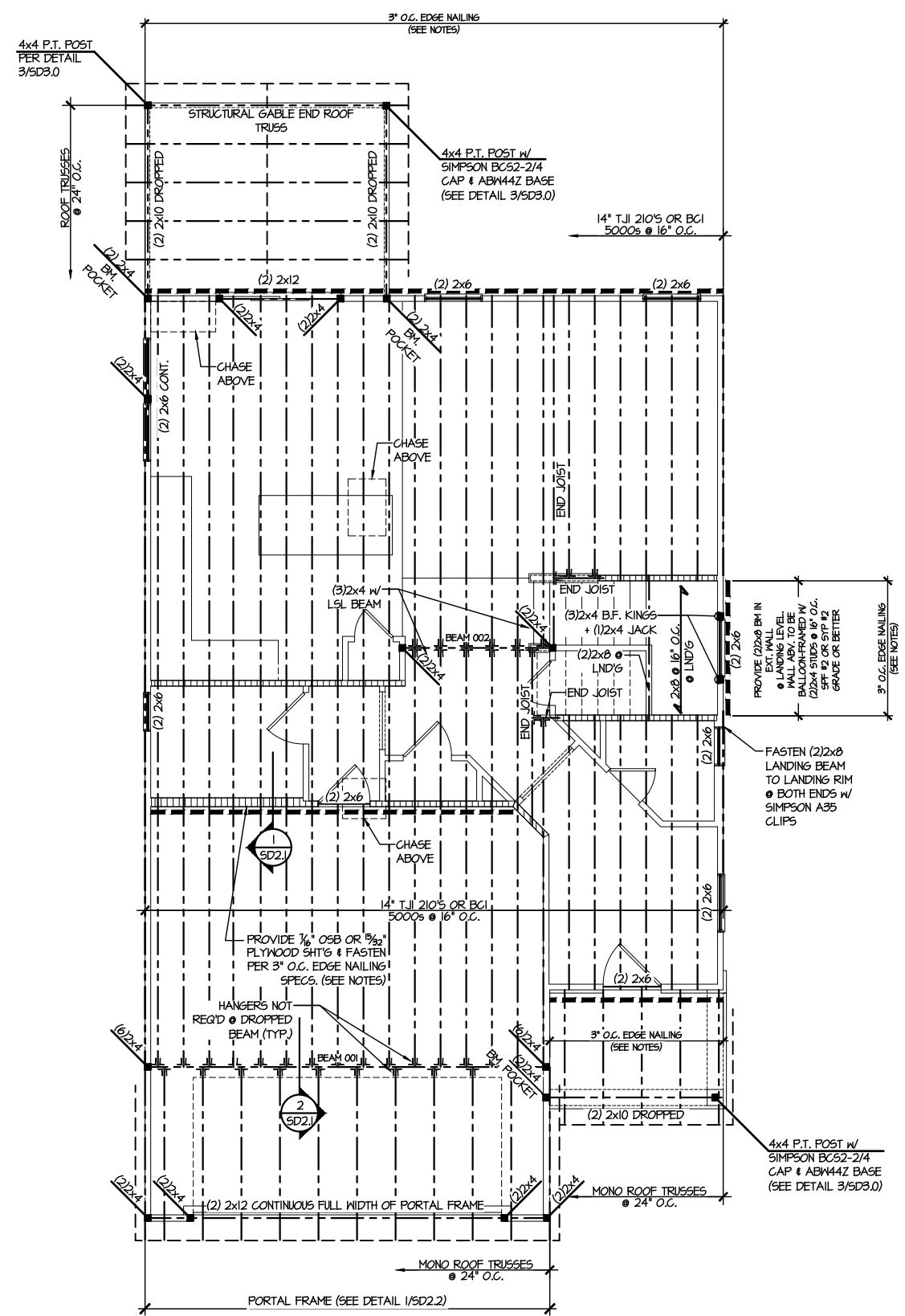
**MULHERN+KULP**  
RESIDENTIAL STRUCTURAL ENGINEERING  
300 Boushade Ave, Building 4 - Asheville, PA 19002  
P 716-948-8081 • mulhern+kulp.com  
NC LICENSE #C-3825

M&K project number:  
126-22076  
project mgr: JTR  
drawn by: SJF  
issue date: 02-19-24  
REVISIONS:  
date: initial:



FLOOR FRAMING PLANS  
FARM AT NEIL'S CREEK  
LOT 75 - MALBEC 4  
RALEIGH, NC

sheet:  
**S2.0**



REFER TO SO.O FOR  
TYPICAL STRUCTURAL NOTES  
& SCHEDULES

SD2.I REFERS TO SD2.IA FOR  
LVL/PSL/LSL BEAMS OR SD2.IB  
FOR FLITCH BEAMS OR SD2.IC  
FOR STEEL BEAMS

**LEGEND**

- [Symbol] INTERIOR BEARING WALL
- [Symbol] BEARING WALL ABOVE
- [Symbol] BEAM / HEADER
- [Symbol] INDICATES SHEAR WALL & EXTENT
- [Symbol] EXTENT OF OVERFRAMING
- [Symbol] METAL HANGER
- [Symbol] INDICATES POST ABOVE. PROVIDE SOLID BLOCKING UNDER POST OR JAMB ABOVE.
- [Symbol] INDICATES HOLD-DOWN OR STRAP. REFER TO SCHEDULE.

**ENGINEERED BEAM MATERIAL SCHEDULE**

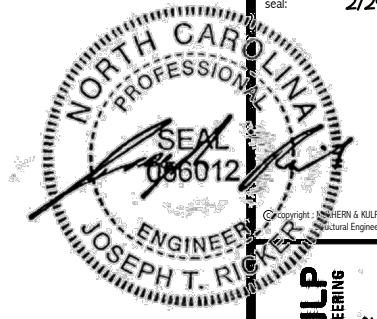
BEAM NUMBER	LVL OPTION	PSL OPTION	LSL OPTION	FLITCH OPTION	STEEL OPTION
001	(3)1 1/2"x18" - FT	5 1/4"x18" - FT	N/A	(4)2x12 + (3) 1/2"x1/4" STEEL FLITCH PLATES - FB	W12x26 - F
002	(2)3/4"x14" - F	3 1/2"x14" - F	(3)3/4"x14" - F	(2)2x12 + (1) 1/4"x1/4" STEEL FLITCH PLATES - FB	W12x14 - F

**BEAM NOTATION:**

- "F" INDICATES FLUSH BEAM
- "FT" INDICATES FLUSH TOP BEAM
- "FB" INDICATES FLUSH BOTTOM BEAM
- "D" INDICATES DROPPED BEAM
- "H" INDICATES DROPPED OPENING HEADER

• REFER TO DETAIL D/SD2.0 FOR TYPICAL FLITCH BEAM CONNECTIONS  
 • REFER TO DETAIL E/SD2.0 FOR TYPICAL STEEL BEAM CONNECTIONS  
 • FOR FLUSH TOP BEAMS PROVIDE 2X STACKED PLATES BENEATH BEAM AS REQ'D. FASTEN PLATES IN SUCCESSION W/ (2) 3"x0.120" NAILS @ 8" O.C.  
 • FOR FLUSH BOTTOM BEAMS PROVIDE 2X STACKED PLATES ATOP BEAM AS REQ'D. FASTEN PLATES IN SUCCESSION W/ (2) 3"x0.120" NAILS @ 8" O.C.

**2ND FLOOR FRAMING PLAN**  
SCALE: 1/8"=1'-0"



**MULHERN+KULP**  
RESIDENTIAL STRUCTURAL ENGINEERING  
300 Ironside Ave, Building 4 - Asheville, PA 18002  
P 716-948-8881 • mulhern+kulp.com  
NC LICENSE #C-3825

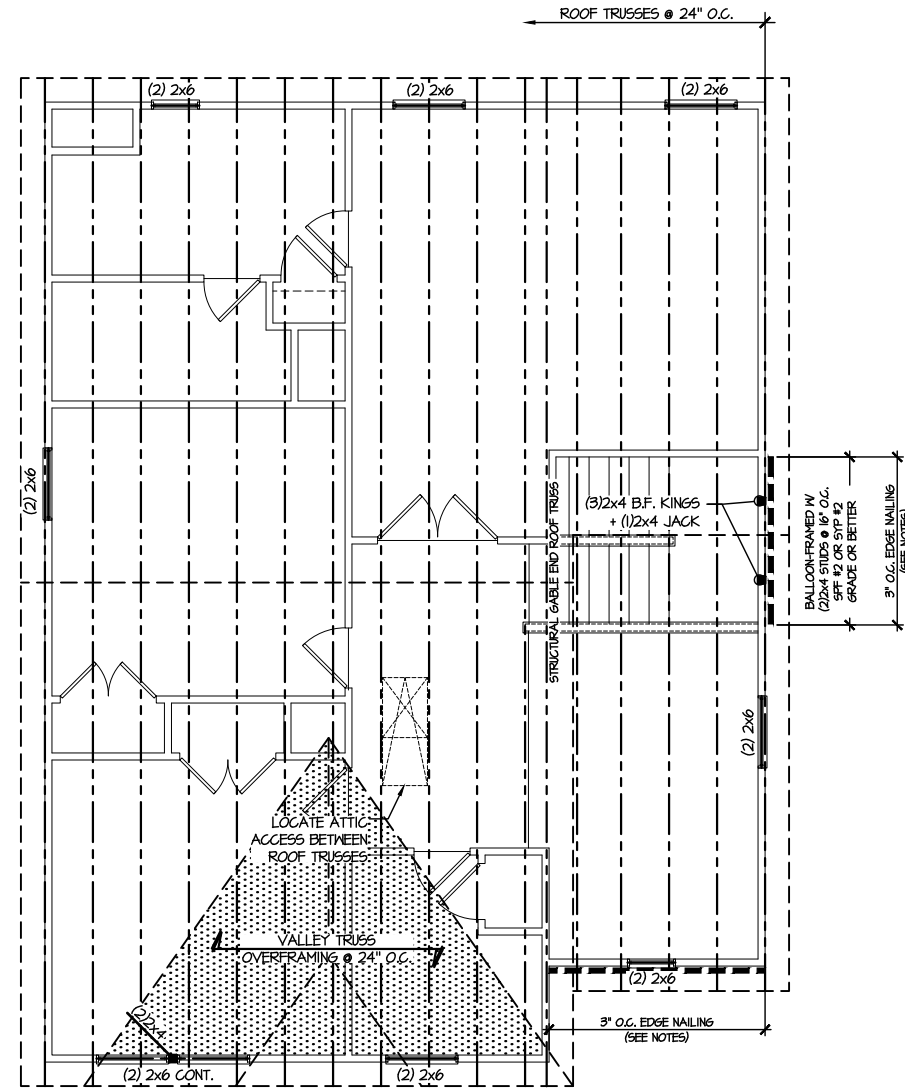
M&K project number:  
126-22076  
project mgr: JTR  
drawn by: SJF  
issue date: 02-19-24

REVISIONS:  
date: initial:



ROOF FRAMING PLANS  
FARM AT NEIL'S CREEK  
LOT 75 - MALBEC 4  
RALEIGH, NC

sheet:  
**S3.0**



**1 ROOF FRAMING PLAN**  
SCALE: 1/8"=1'-0"

REFER TO S0.0 FOR  
TYPICAL STRUCTURAL NOTES  
& SCHEDULES

LEGEND	
	INTERIOR BEARING WALL
	BEARING WALL ABOVE
	BEAM / HEADER
	INDICATES SHEAR WALL & EXTENT
	EXTENT OF OVERFRAMING
	JL METAL HANGER
	* INDICATES POST ABOVE. PROVIDE SOLID BLOCKING UNDER POST OR JAMB ABOVE.
	▷ INDICATES HOLD-DOWN OR STRAP. REFER TO SCHEDULE.





MULHERN+KULP  
RESIDENTIAL STRUCTURAL ENGINEERING  
300 Riverside Ave., Building 4 - Asheville, PA 18002  
P 716-948-8001 • mulhern+kulp.com  
NC LICENSE #C-3825



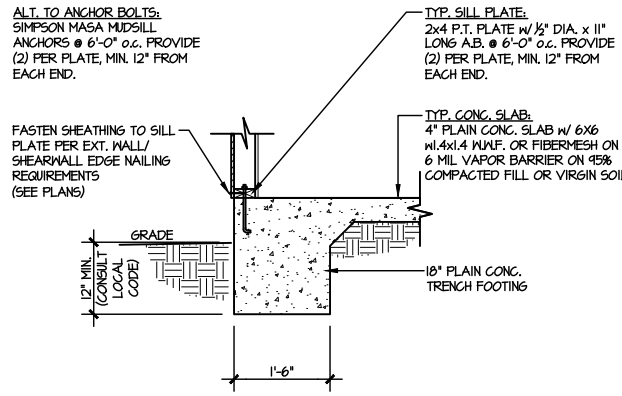
M&K project number:  
126-22076  
project mgr: JTR  
drawn by: SJF  
issue date: 02-19-24

REVISIONS:  
date: initial:

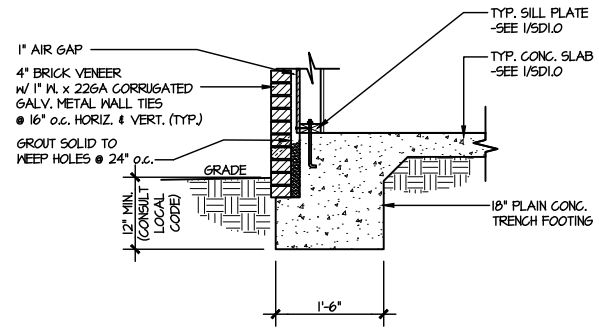
DRB  
HOMES

FOUNDATION DETAILS  
FARM AT NEIL'S CREEK  
LOT 75 - MALBEC 4  
RALEIGH, NC

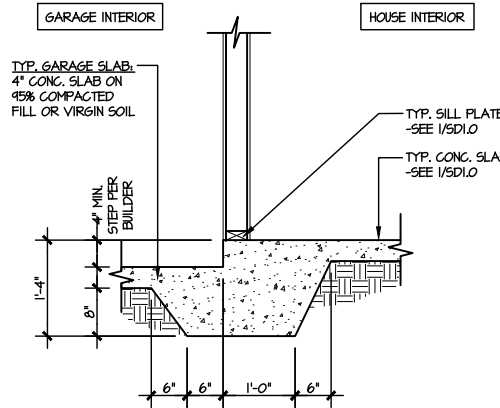
SD1.0



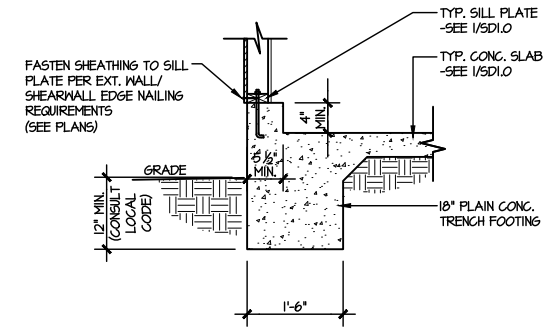
1 TYPICAL SLAB ON GRADE PERIMETER FOOTING  
SCALE: 3/8"=1'-0"



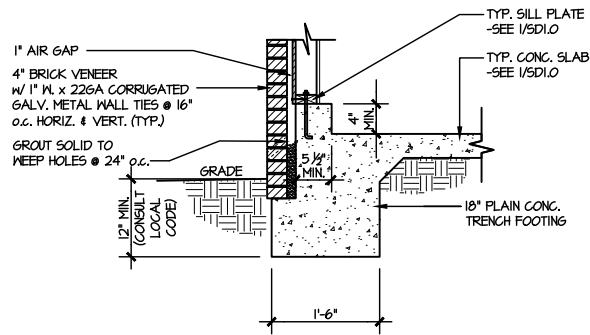
2 TYPICAL SLAB ON GRADE PERIMETER FOOTING  
SCALE: 3/8"=1'-0" W/ BRICK VENEER



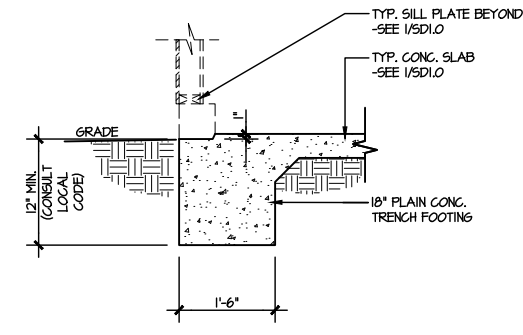
3 TYPICAL MONOLITHIC INTERIOR GARAGE FOOTING  
SCALE: 3/8"=1'-0"



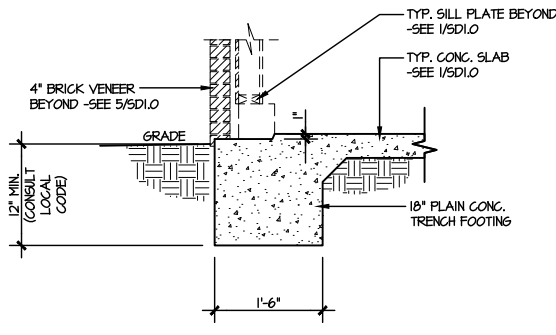
4 TYPICAL SLAB ON GRADE GARAGE PERIMETER FOOTING  
SCALE: 3/8"=1'-0"



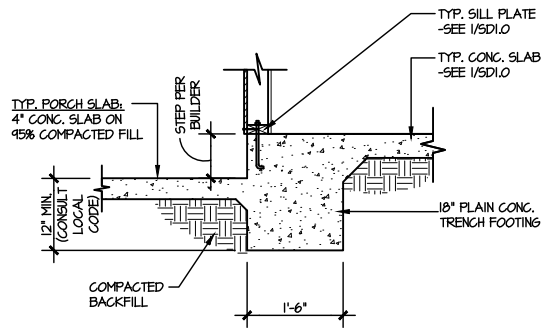
5 TYPICAL SLAB ON GRADE GARAGE PERIMETER FOOTING  
SCALE: 3/8"=1'-0" W/ BRICK VENEER



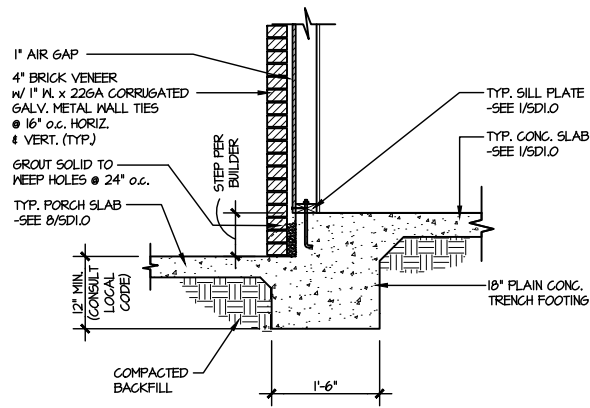
6 TYPICAL SLAB ON GRADE GARAGE ENTRY @ PERIMETER FOOTING  
SCALE: 3/8"=1'-0"



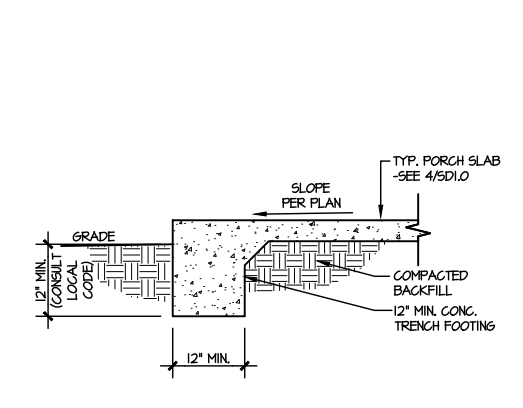
7 TYPICAL SLAB ON GRADE GARAGE ENTRY @ PERIMETER FOOTING  
SCALE: 3/8"=1'-0" W/ BRICK VENEER



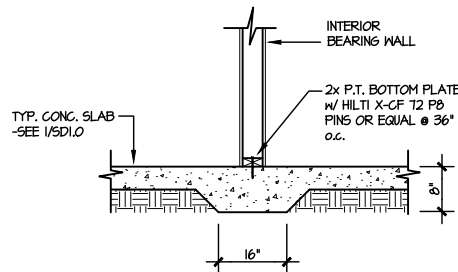
8 TYPICAL SLAB ON GRADE PERIMETER FOOTING @ PORCH/PATIO  
SCALE: 3/8"=1'-0"



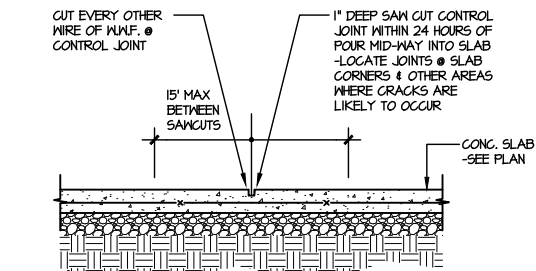
9 TYPICAL SLAB ON GRADE PERIMETER FOOTING @ PORCH/PATIO  
SCALE: 3/8"=1'-0" W/ BRICK VENEER



10 TYPICAL FOOTING @ PORCH SLAB  
SCALE: 3/8"=1'-0"



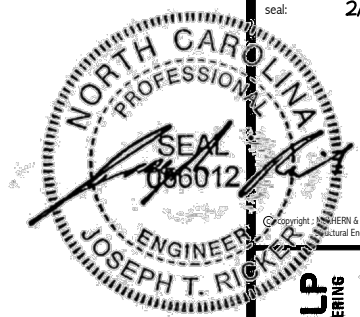
11 TYPICAL THICKENED SLAB @ INTERIOR BEARING WALL  
SCALE: 3/8"=1'-0"



A TYPICAL CONTROL JOINT  
SCALE: 3/8"=1'-0"  
LOCATE @ 15'-0" O.C. MAX. OR CORNERS WHERE CRACKS LIKELY TO DEVELOP

LETTERED DETAILS ARE TYPICAL FOR THIS HOME & SHALL BE IMPLEMENTED IN ALL APPLICABLE AREAS. THESE DETAILS ARE NOT "CUT" ON THE PLANS.

NUMBERED DETAILS ARE PLAN SPECIFIC AND ARE ONLY REQUIRED WHERE SPECIFICALLY INDICATED ("CUT") ON THE PLANS.



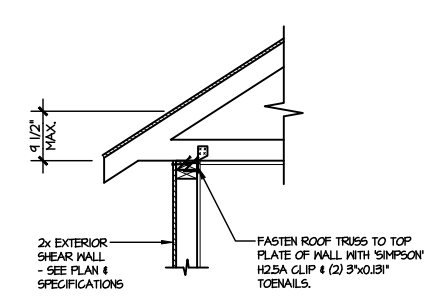
**MULHERN+KULP**  
RESIDENTIAL STRUCTURAL ENGINEERING  
300 Duneside Ave., Building 4 - Asheville, PA 17002  
P 716-948-8081 • mulhern+kulp.com  
NC LICENSE #C-3825

M&K project number:  
126-22076  
project mgr: JTR  
drawn by: SJF  
issue date: 02-19-24  
REVISIONS:  
date: initial:

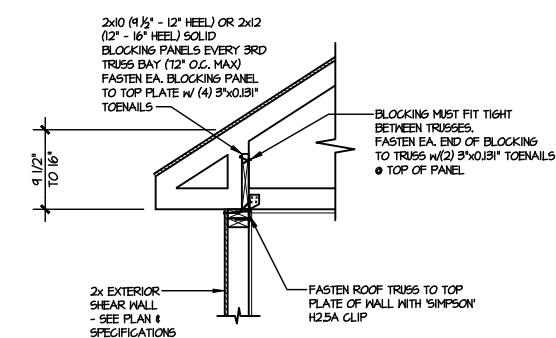
**DRB**  
**HOMES**

FRAMING DETAILS  
FARM AT NEIL'S CREEK  
LOT 75 - MALBEC 4  
RALEIGH, NC

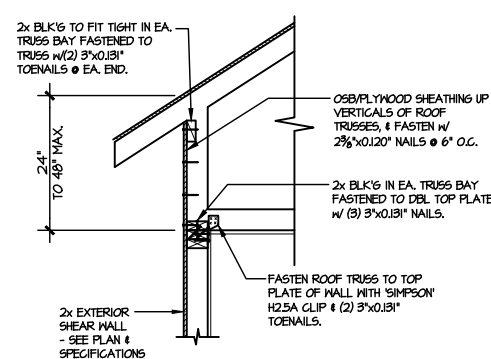
sheet:  
**SD2.0**



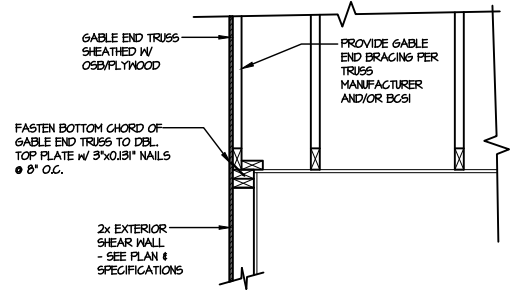
**A1** TYPICAL SHEAR TRANSFER DETAIL @ ROOF  
SCALE: 3/8"=1'-0"  
HEEL HEIGHT LESS THAN 9 1/2"  
NO BLOCKING REQ'D



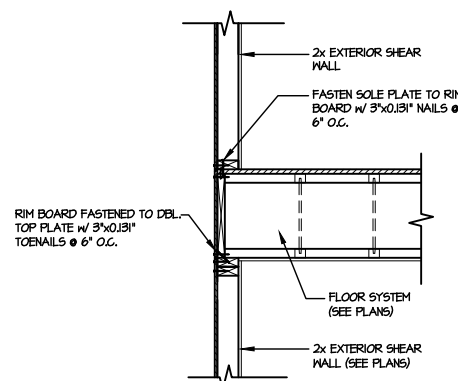
**A2** TYPICAL SHEAR TRANSFER DETAIL @ ROOF  
SCALE: 3/8"=1'-0"  
HEEL HEIGHT BETWEEN 9 1/2" - 16"  
BLOCKING REQ'D



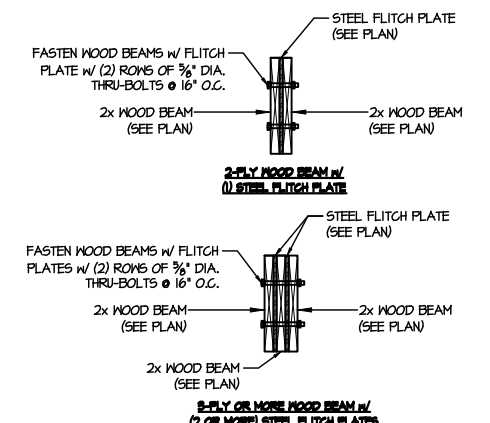
**A3** TYPICAL SHEAR TRANSFER DETAIL @ RAISED HEEL TRUSS  
SCALE: 3/8"=1'-0"  
HEEL HEIGHT UP TO 48" MAX.



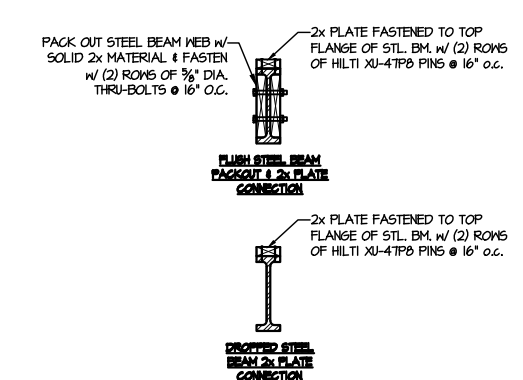
**B** TYPICAL GABLE END DETAIL  
SCALE: 3/8"=1'-0"



**C** TYPICAL SHEAR TRANSFER DETAIL BETWEEN FLOORS @ EXTERIOR WALL  
SCALE: 3/8"=1'-0"

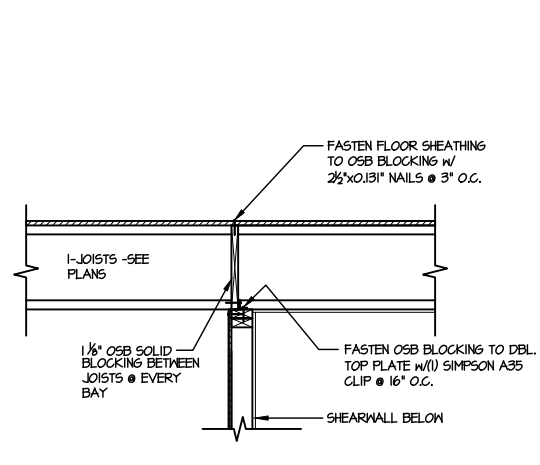
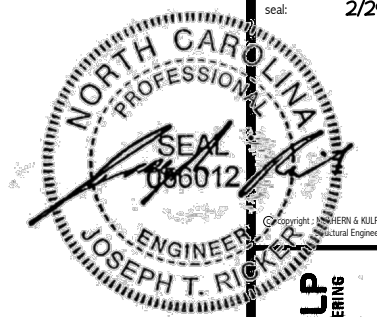


**D** TYPICAL FLITCH BEAM CONNECTION DETAIL  
SCALE: 3/4"=1'-0"

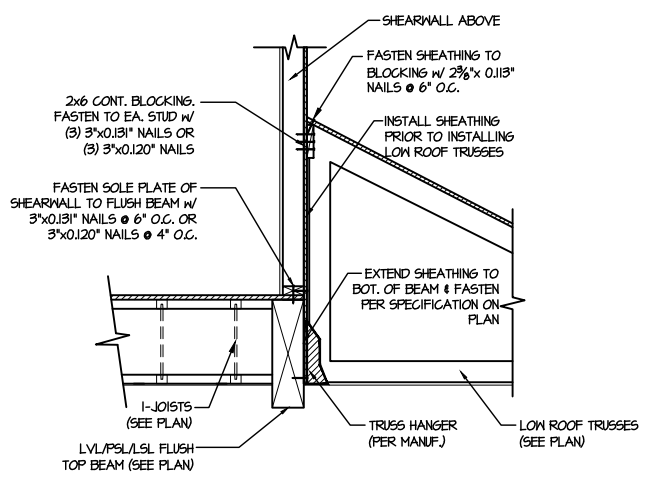


**E** TYPICAL STEEL BEAM CONNECTION DETAIL  
SCALE: 3/4"=1'-0"

LETTERED DETAILS ARE TYPICAL FOR THIS HOME & SHALL BE IMPLEMENTED IN ALL APPLICABLE AREAS. THESE DETAILS ARE NOT "CUT" ON THE PLANS.  
NUMBERED DETAILS ARE PLAN SPECIFIC AND ARE ONLY REQUIRED WHERE SPECIFICALLY INDICATED ("CUT") ON THE PLANS.



**1** SHEAR TRANSFER DETAIL @ INTERIOR SHEARWALL BELOW  
SCALE: 3/8"=1'-0" PERPENDICULAR FRAMING



**2** SHEAR TRANSFER DETAIL @ EXTERIOR SHEARWALL ABOVE  
SCALE: 3/4"=1'-0"

**MULHERN+KULP**  
RESIDENTIAL STRUCTURAL ENGINEERING  
300 Riverside Ave., Building 4 - Asheville, PA 18002  
P 716-948-8001 • mulhern+kulp.com  
NC LICENSE #C-3825

M&K project number: 126-22076

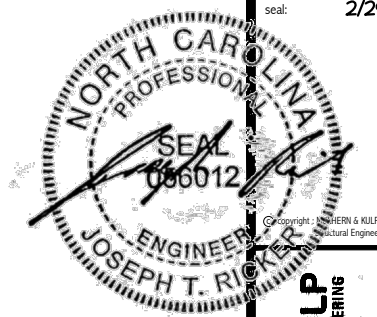
project mgr: JTR  
drawn by: SJF  
issue date: 02-19-24

REVISIONS:

date:	initial:



FRAMING DETAILS  
FARM AT NEIL'S CREEK  
LOT 75 - MALBEC 4  
RALEIGH, NC



**MULHERN+KULP**  
RESIDENTIAL STRUCTURAL ENGINEERING  
300 Riverside Ave., Building 4 - Asheville, PA 18002  
P 716-948-8001 • mulhern+kulp.com  
NC LICENSE #C-3825

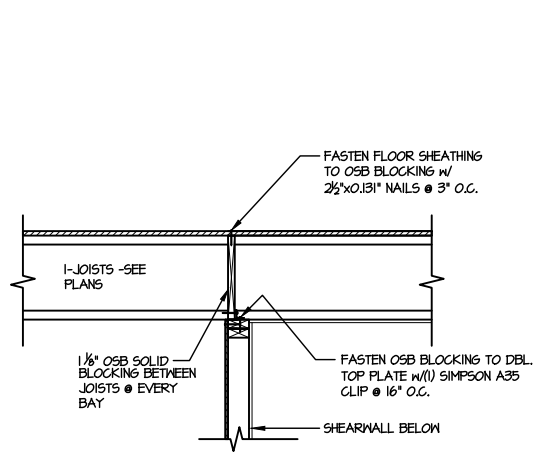
M&K project number:  
126-22076  
project mgr: JTR  
drawn by: SJF  
issue date: 02-19-24

REVISIONS:  
date: initial:

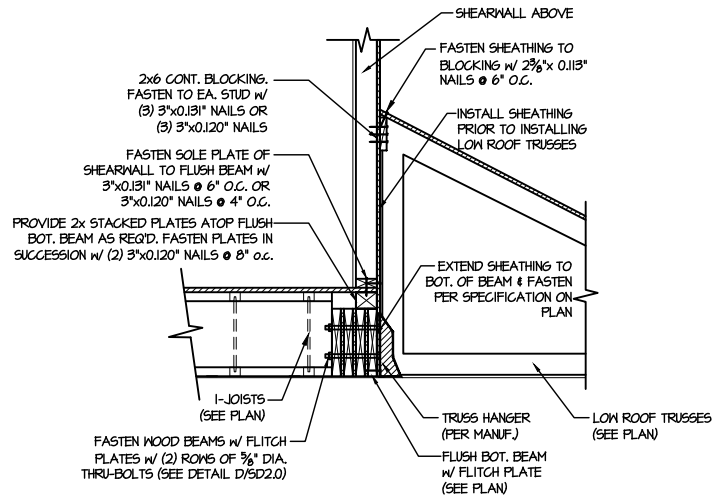


FRAMING DETAILS  
FARM AT NEIL'S CREEK  
LOT 75 - MALBEC 4  
RALEIGH, NC

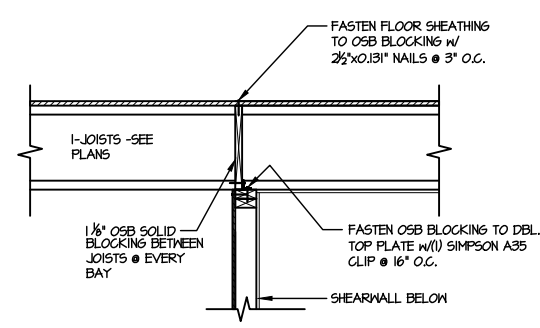
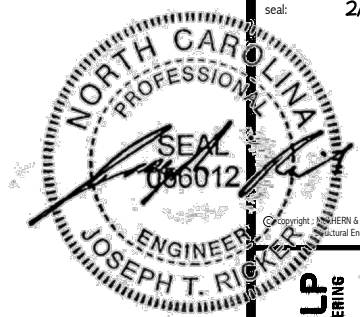
sheet:  
**SD2.1B**



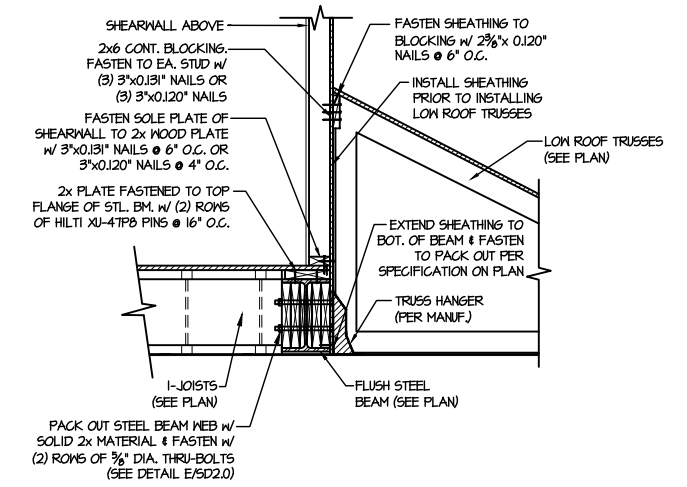
**1** SHEAR TRANSFER DETAIL @ INTERIOR SHEARWALL BELOW  
SCALE: 3/8"=1'-0" PERPENDICULAR FRAMING



**2** SHEAR TRANSFER DETAIL @ EXTERIOR SHEARWALL ABOVE



**1** SHEAR TRANSFER DETAIL @ INTERIOR SHEARWALL BELOW  
SCALE: 3/8"=1'-0" PERPENDICULAR FRAMING



**2** SHEAR TRANSFER DETAIL @ EXTERIOR SHEARWALL ABOVE  
SCALE: 3/4"=1'-0"

**MULHERN+KULP**  
RESIDENTIAL STRUCTURAL ENGINEERING  
300 Riverside Ave., Building 4 - Asheville, PA 18002  
P 716-948-8001 • mulhern+kulp.com  
NC LICENSE #C-3825

M&K project number: 126-22076

project mgr: JTR  
drawn by: SJF  
issue date: 02-19-24

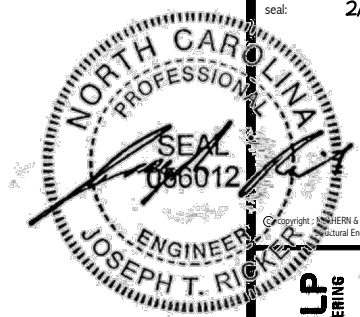
REVISIONS:

date:	initial:



FRAMING DETAILS  
FARM AT NEIL'S CREEK  
LOT 75 - MALBEC 4  
RALEIGH, NC



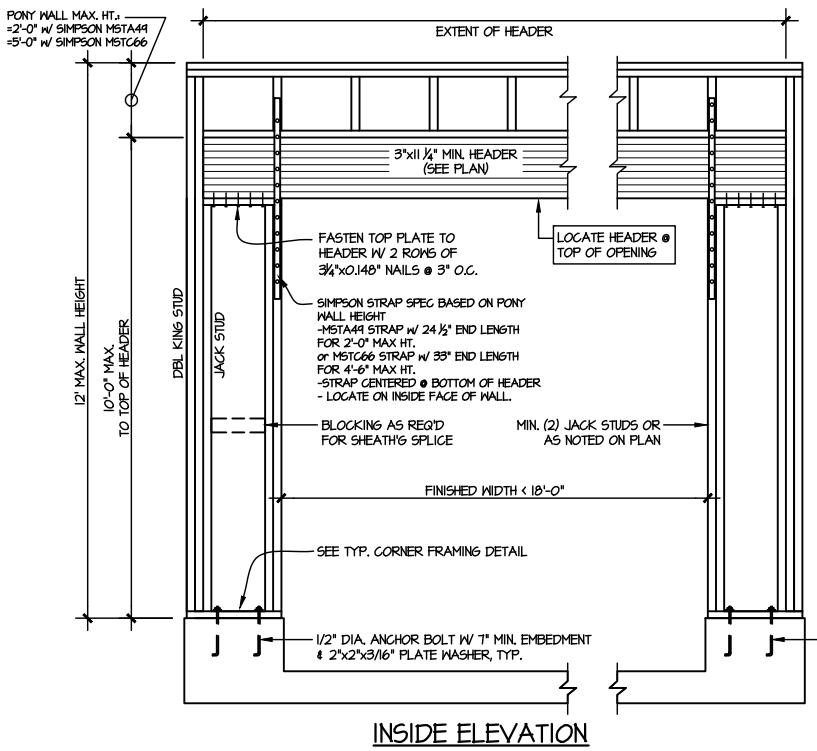
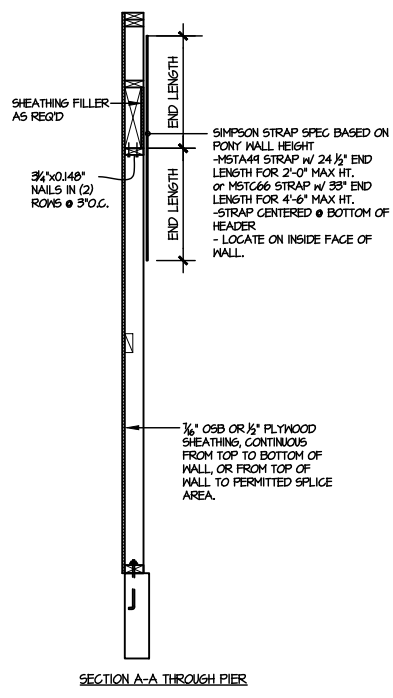
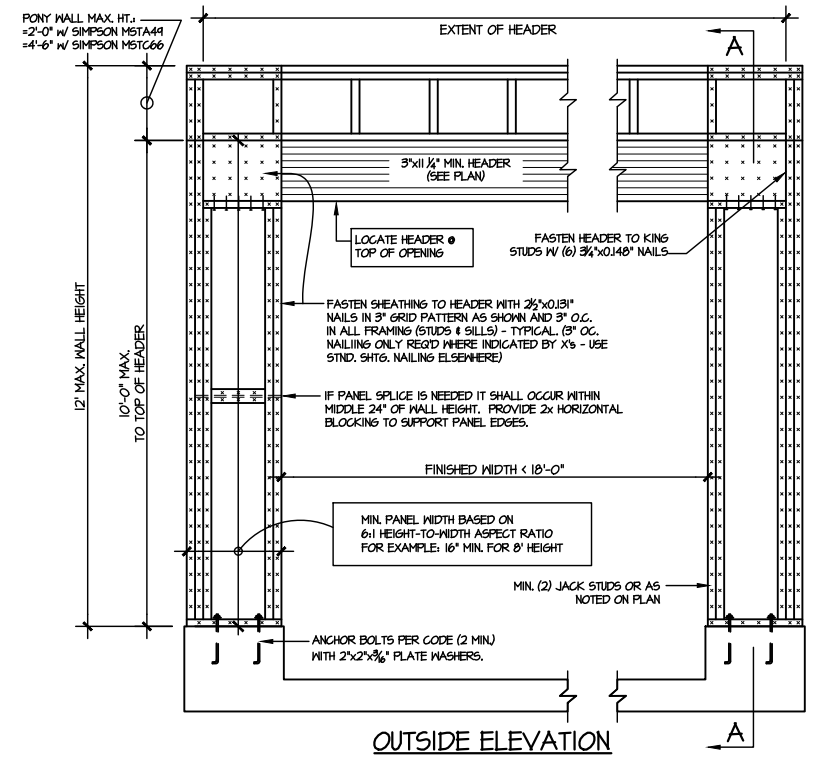


**MULHERN+KULP**  
RESIDENTIAL STRUCTURAL ENGINEERING  
300 Beavertide Ave, Building 4 - Asheville, PA 17002  
P 716-948-8881 - mulhern+kulp.com  
NC LICENSE #C-3825

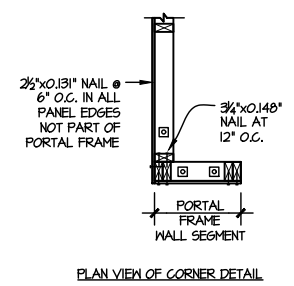
M&K project number:  
126-22076  
project mgr: JTR  
drawn by: SJF  
issue date: 02-19-24  
REVISIONS:  
date: initial:



FRAMING DETAILS  
FARM AT NEIL'S CREEK  
LOT 75 - MALBEC 4  
RALEIGH, NC



NOTE: ALL SHEATHABLE AREAS OF EXTERIOR WALL SHALL BE FULLY SHEATHED WITH 1/2" PLYWOOD OR 1/2" OSB



ALTERNATIVES TO 1/2" DIA. ANCHOR BOLT:  
1) 1/2" DIA. x 6" LONG SIMPSON TITEN HD  
2) 1/2" DIA. THREADED ROD EPOXY SET w/ 4 1/2" EMBED. (MIN) UTILIZING HILTI HY200 EPOXY ANCHORING SYSTEM (OR EQUAL)

**TWO SIDED GARAGE PORTAL FRAME BRACING ELEVATION ON CONCRETE STEM**  
SCALE: N.T.S.



**MULHERN+KULP**  
RESIDENTIAL STRUCTURAL ENGINEERING  
300 Downside Ave, Building 4 - Ashebor, PA 15002  
P 716-948-8001 - mulhern+kulp.com  
NC LICENSE #C-3825

M&K project number:  
126-22076

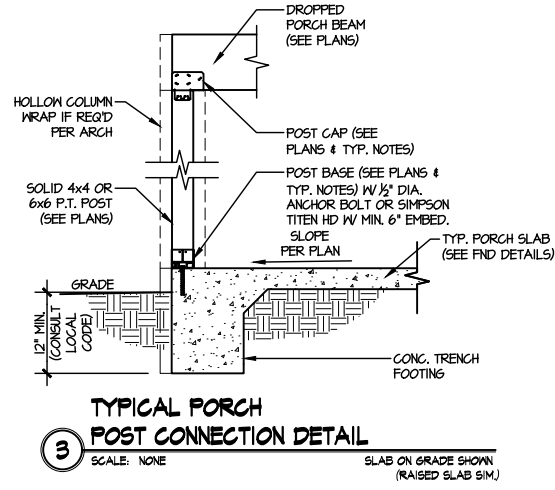
project mgr: JTR  
drawn by: SJF  
issue date: 02-19-24

REVISIONS:  
date: initial:



FRAMING DETAILS  
FARM AT NEIL'S CREEK  
LOT 75 - MALBEC 4  
RALEIGH, NC

sheet: SD3.0

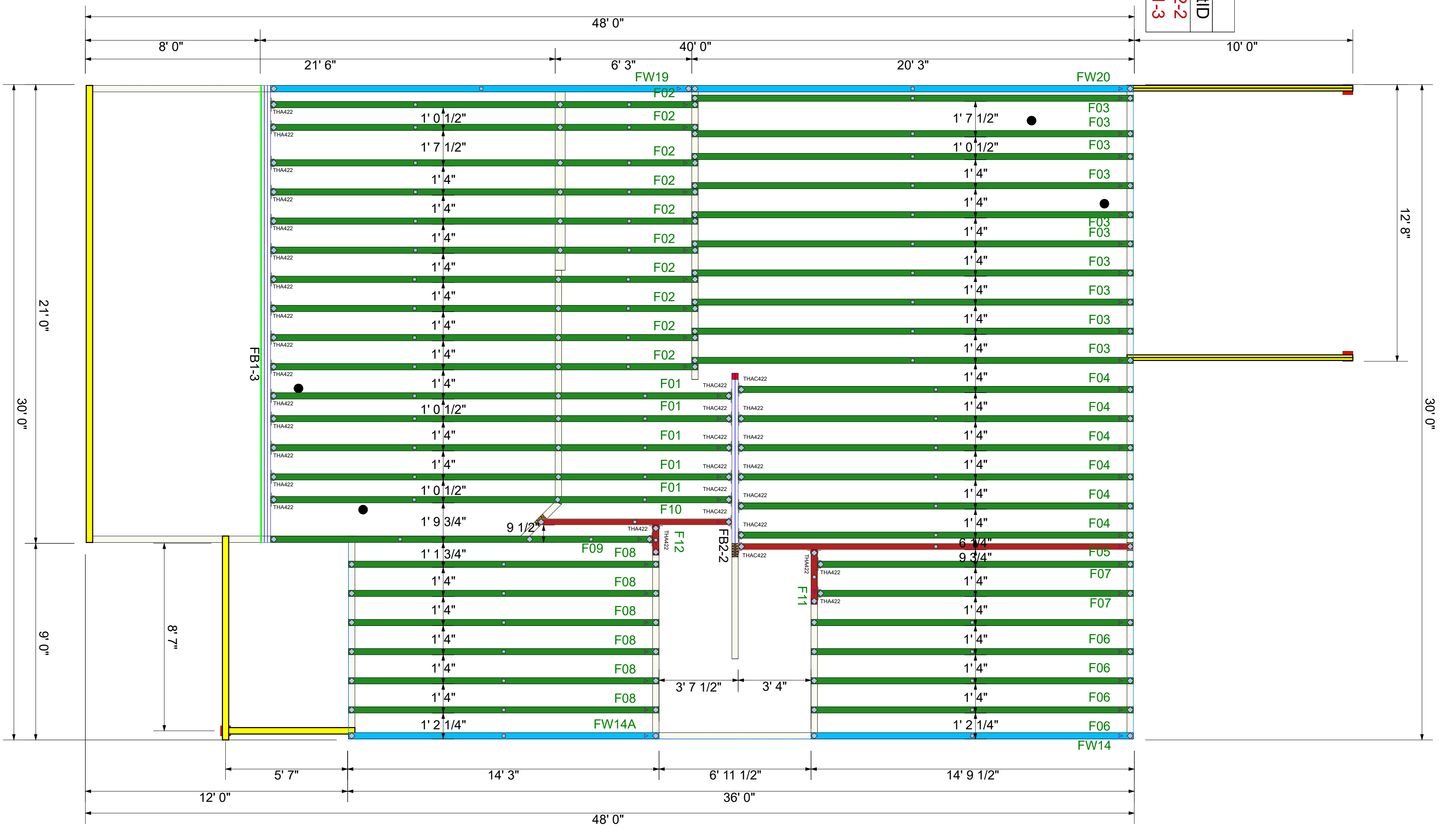


\*\* CUTTING OR DRILLING OF COMPONENTS SHOULD NOT BE DONE WITHOUT CONTRACTING COMPONENT SUPPLIER FIRST. CUSTOMER TAKES FULL RESPONSIBILITY FOR COMPONENTS IF CUT BEFORE AUTHORIZATION.

\*\* ALL BEARING POINTS MUST BE INSTALLED PRIOR TO SETTING ANY COMPONENTS.

Fab Type	Net Qty	Piles	Products	Product	Length	PlotID
FF	2	2	2.0 Rigidlam DF LVL 1-3/4 x 14		10' 0"	FB2-2
FF	3	3	2.0 Rigidlam DF LVL 1-3/4 x 18		22' 0"	FB1-3

Qty	Product	Manuf	Truss Connector Total List
23	THA422	Simpson	
10	THAC422	Simpson	



\*\* FRAMER MUST REFER TO PLANS WHILE SETTING COMPONENTS.

\*\* DAMAGED COMPONENTS SHOULD NOT BE INSTALLED UNLESS TOLD TO BY THE COMPONENT PLANT.

\*\* TRIANGULAR SYMBOL NEAR END OF TRUSS INDICATES LEFT END OF TRUSS AS SHOWN ON INDIVIDUAL TRUSS DRAWINGS.

\*\* PLUMBING DROPS NOTED ARE IN THE APPROXIMATE LOCATIONS PER PLAN. BUILDER TO VERIFY LOCATIONS BEFORE SETTING TRUSSES.

\*\* REFER TO FINAL TRUSS ENGINEERING SHEETS FOR PLY TO PLY CONNECTIONS.

\*\* GIRDERS MUST BE FULLY CONNECTED TOGETHER PRIOR TO ADDING ANY LOADS.

\*\* DIMENSIONS ARE READ AS: FOOT-INCH-SIXTEENTH.

\*\* TRUSS TO TRUSS CONNECTIONS ARE TOE-NAILED, UNLESS NOTED OTHERWISE.

Scale:	NTS
Date:	2/26/2024
Designer:	ND
Project Number:	24020109
Sheet Number:	1/1

DRB HOMES NC LLC  
75 FARM AT NEILLS CREEK  
MALBEC 4  
**COMPONENT  
PLACEMENT PLAN**



**THIS IS A TRUSS PLACEMENT DIAGRAM ONLY.** These trusses are designed as individual components to be incorporated into the building design at the specification of the building designer. See Individual design sheets for each truss design identified on the placement drawing. The building designer is responsible for temporary and permanent bracing of the roof and floor systems and for the overall structure. The design of the truss support structure including headers, beams, walls, and columns is the responsibility of the building designer. For general guidance regarding the bracing, consult "Bracing of Wood Truss" available from the Truss Plate Institute, 583 D'Onifrio Drive: Madison, WI 53179

Revisions
00/00/00 Name
00/00/00 Name
00/00/00 Name
00/00/00 Name



