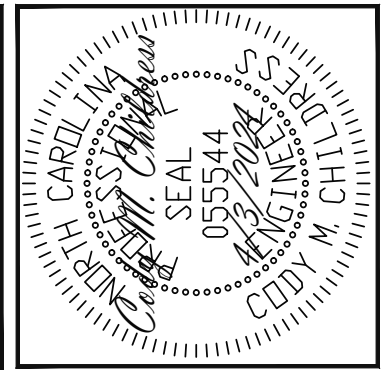


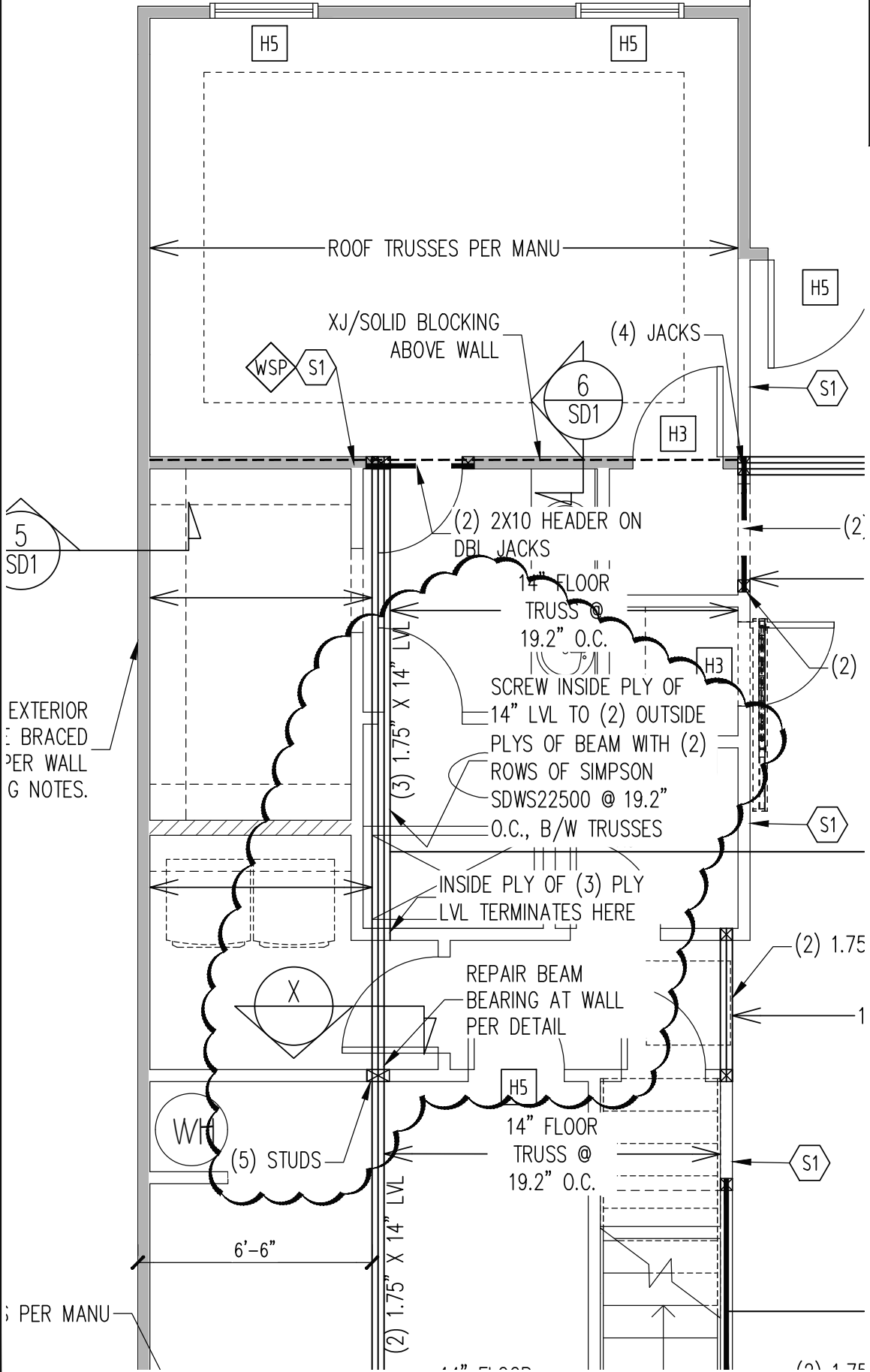
# 1ST FLOOR FRAMING PLAN

WALLS AND CEILING 1/4" = 1'-0"



**Structural Engineers**  
 License No. C-3870  
 318 W Millbrook Rd. Unit 201  
 Raleigh, North Carolina 27609  
 Phone (919) 844-1661

**Engineering Lech Associates, P.A.**



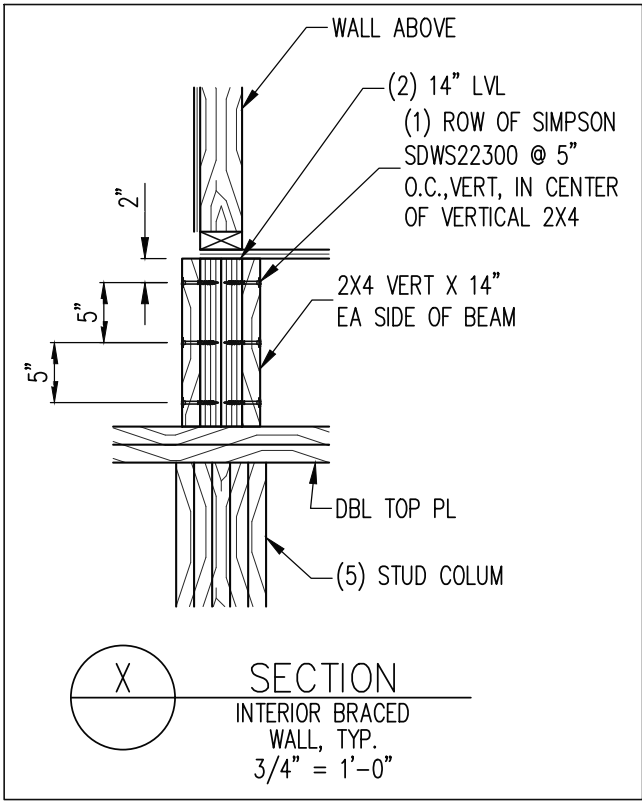
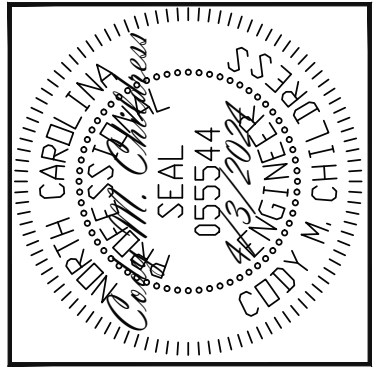
FRESH PAINT		REV #	REF PROJ #	DATE
SCOPE	BEAM BEARING REPAIR			
LOC	147 SERENITY			
PLAN	AZALEA, ELEVATION A			

ENG: CMC  
 DATE: 4/3/2024

PARENT  
 23-30-025

PROJECT NO.  
 24-75-368

SHEET NO.  
 SL1



**Engineering Lech**  
ASSOCIATES, P.A.

STRUCTURAL ENGINEERS  
License No. C-3870  
318 W Millbrook Rd. Unit 201  
Raleigh, North Carolina 27609  
Phone (919) 844-1661

FRESH PAINT			
SCOPE	BEAM BEARING REPAIR	REV #	REF PROJ #
LOC	147 SERENITY		DATE
PLAN	AZALEA, ELEVATION A		

ENG: CMC  
DATE: 4/3/2024

PARENT  
23-30-025

PROJECT NO.  
24-75-368

SHEET NO.  
SL2

2 of 2