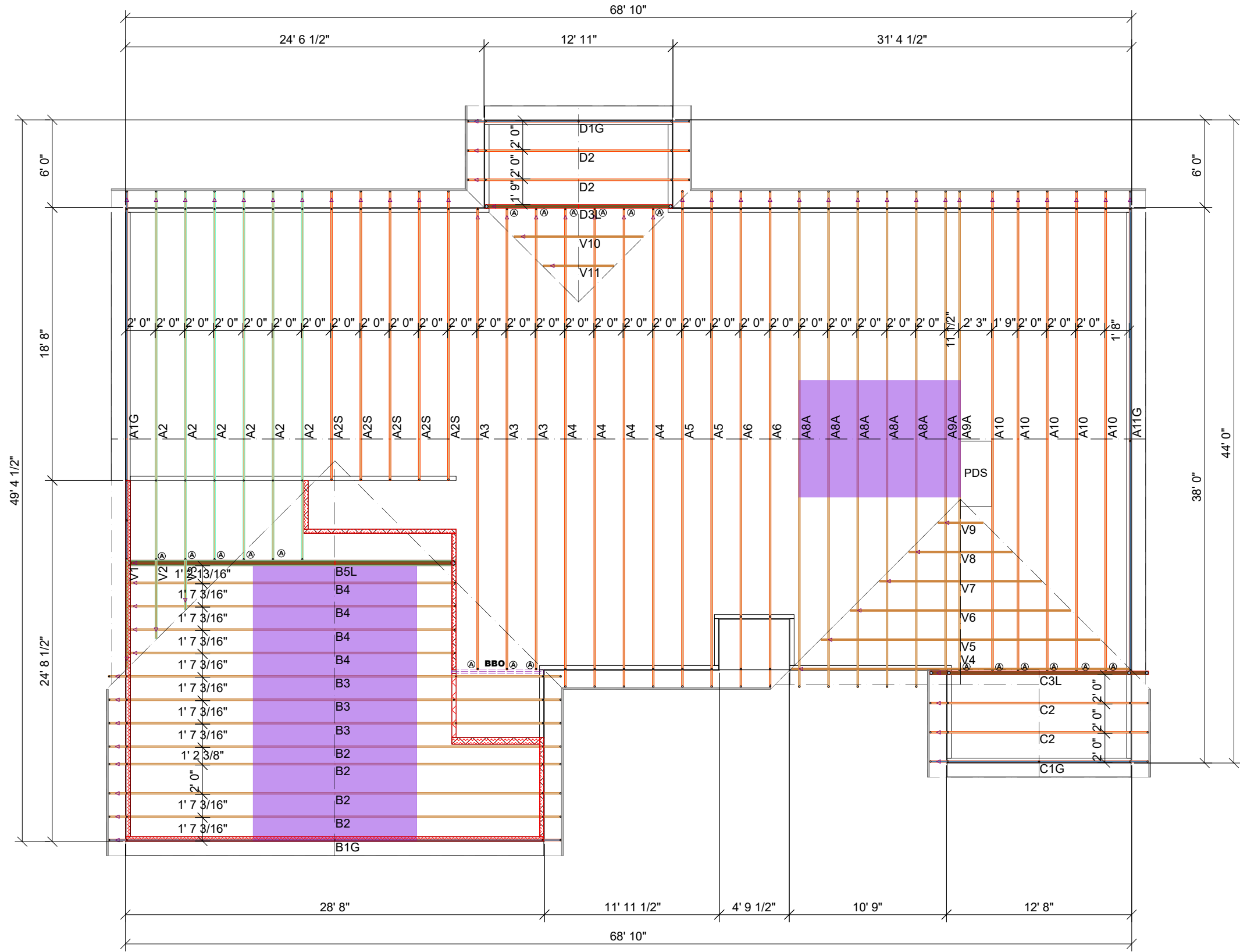


THIS IS A TRUSS PLACEMENT DIAGRAM (TPD) ONLY; NOT AN ENGINEERED DOCUMENT. Trusses are designed as individual building components to be incorporated into the building design at the specification of the building designer. See individual truss design drawings (TDD's) for each truss design identified on the TPD. The Contractor is responsible for the temporary bracing of the roof and floor system, and requirements for the permanent restraint/bracing of truss systems may be met by following the methods outlined in ANSI-TPI 1-2014 - 2.3.3. The design of the support structure including but not limited to headers, beams, walls, and columns is also the responsibility of the building designer. For general guidance regarding installation and bracing, consult "Building Component Safety Information" (BCSI) available from the SBC Association (www.sbcassociation.com). It is the responsibility of the General Contractor to verify that the provided component layout matches the final intended construction plans, loading conditions, and use. If they do not, it is the responsibility of the General Contractor to notify UFP and provide plans containing the latest specifications and designs. UFP will not be responsible for plan changes by others after final approval of shop drawings, or for errors or modifications made on-site during construction. DO NOT CUT, NOTCH, DRILL, OR OTHERWISE "REPAIR" MANUFACTURED TRUSSES IN ANY WAY WITHOUT PRIOR WRITTEN AUTHORIZATION BY A LICENSED PROFESSIONAL DESIGNATED BY UFP. The Framing is responsible to verify all dimensions, including adjusting member spacing within tolerances to allow for the drop and rise of plumbing/HVAC, unless noted otherwise. Truss-to-wall connections, if shown, are for uplift only and do not consider lateral loads. All connectors on this project are to be installed per the connector manufacturer's specifications. All connectors shown that are not truss-to-truss are suggestions only and are to be verified by the Building Designer or Engineer of Record for suitability to this particular project. UFP accepts no responsibility for the specific application or suitability of any connector that is not truss-to-truss as they apply to this specific structure.

PLACEMENT PLAN



Roof Hanger List		
MARK	TYPE	QTY
(A)	HUS26	20
GARAGE WALLS DROPPED 11-1/2" BELOW STANDARD HEIGHT WHERE HATCHED		

△ INDICATES LEFT END OF TRUSS SCALE: N.T.S

ROOF AREA: 3560.14 sqft	RIDGE LINE: 131.17 ft	VALLEY LINES: 113.22 ft	HIP LINES: 0 ft	THESE VALUES ARE APPROXIMATE ONLY
REVISIONS		AMERICA'S HOME PLACE (FAYETTEVILLE)		
DATE	DESCRIPTION	MCMAHILL RESIDENCE		
		10 STEPHEN NORRIS LANE		
		COATS, NC 27521		
DESIGNER	ETG	UFP SITE BUILT		
LAYOUT DATE	2/26/2024	A UFP INDUSTRIES COMPANY		
ARCH DATE	-	Burlington, NC Locust, NC		
STRUCT DATE	-	Chesapeake, VA Liberty, NC		
JOB #:	24022171	Clinton, NC Ooltewah, TN		
		Conway, SC Pearisburg, VA		
		Jefferson, GA Stanfield, NC		
		Customer Service (800) 476-9356		