

Elevation B 2 Car - Sheet List	
Sheet Number	Sheet Name
ElevB-2Car-Pg1	Front & Rear Elevations
ElevB-2Car-Pg2	Side Elevations
ElevB-2Car-Pg3	1st Floor Plan
ElevB-2Car-Pg4	2nd Floor Plan
ElevB-2Car-Pg5	Roof Plan
ElevB-2Car-Pg6	Electrical & Flooring Plan
Pg7	Interior Elevations
Pg8	Slab Penetrations



CONTRACTOR AND BUILDER SHALL REVIEW ENTIRE PLAN TO VERIFY CONFORMANCE WITH ALL CURRENT APPLICABLE CODES IN EFFECT AT TIME OF CONSTRUCTION. BY USING THESE DRAWINGS FOR CONSTRUCTION IT IS UNDERSTOOD THAT CONFORMANCE WITH ALL APPLICABLE CODES IS THE RESPONSIBILITY OF THE BUILDER AND CONTRACTOR.



① Front Elevation - Elev B - 2 Car Garage
1/8" = 1'-0"



② Rear Elevation - Elev B - 2 Car Garage
1/8" = 1'-0"

Area Schedule (Elev B 2Car)	
Name	Area
Heated	
1st Floor	595 SF
2nd Floor	913 SF
	1508 SF
Unheated	
Front Porch	73 SF
Garage	438 SF
	511 SF
Under Roof	2019 SF

1508 - Elevation B 2Car
Front & Rear Elevations

Lot #:

Job #:

Address:

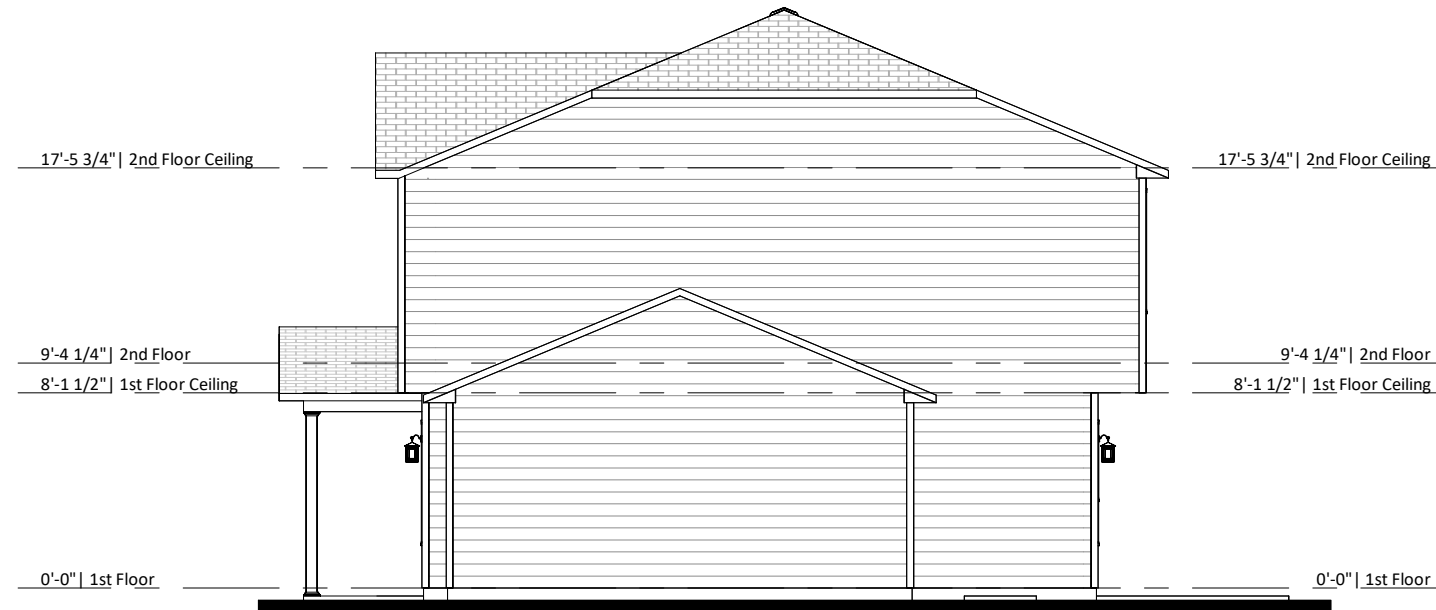
Community:

Last Revision Date:
11-27-23

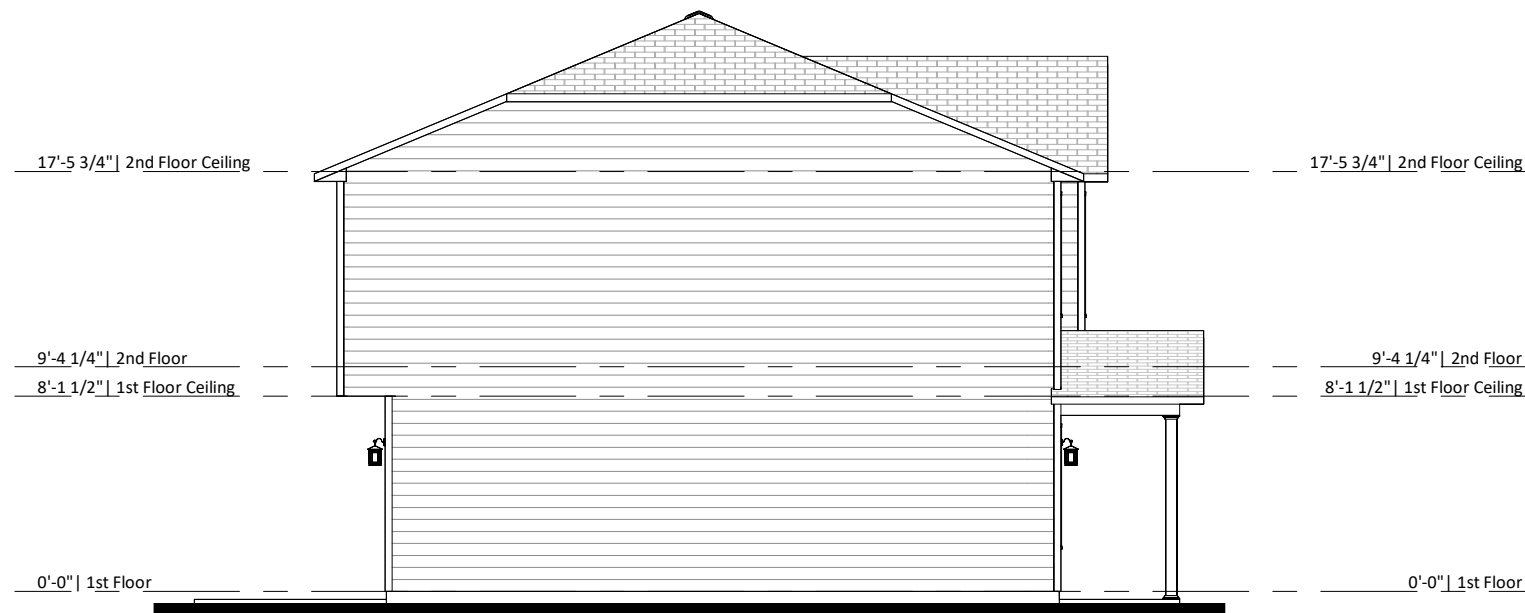
Sheet #:
ElevB-2Car-Pg1



CONTRACTOR AND BUILDER SHALL REVIEW ENTIRE PLAN TO VERIFY CONFORMANCE WITH ALL CURRENT APPLICABLE CODES IN EFFECT AT TIME OF CONSTRUCTION. BY USING THESE DRAWINGS FOR CONSTRUCTION IT IS UNDERSTOOD THAT CONFORMANCE WITH ALL APPLICABLE CODES IS THE RESPONSIBILITY OF THE BUILDER AND CONTRACTOR.



① Right Elevation - Elev B - 2 Car Garage
1/8" = 1'-0"



② Left Elevation - Elev B - 2 Car Garage
1/8" = 1'-0"

1508 - Elevation B 2Car

Side Elevations

Lot #:

Job #:

Address:

Community:

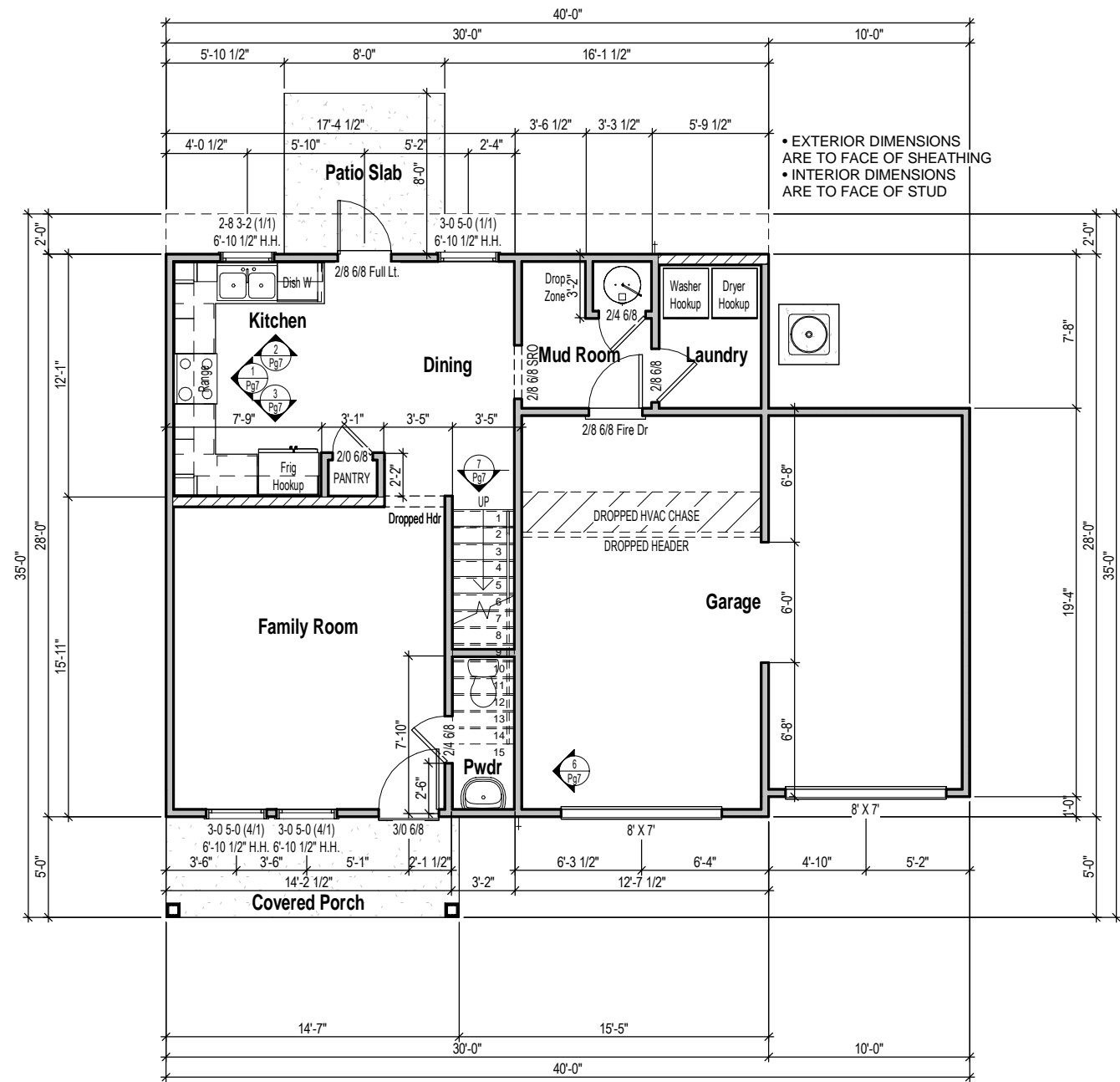
Last Revision Date:

11-27-23

Sheet #:

ElevB-2Car-Pg2

TABLE R302.6 Dwelling/Garage Separation	
Separation	Material
From the residence and attics	Not less than 1/2-inch gypsum board or equivalent applied to the garage side
From all habitable rooms above the garage	Not less than 5/8-inch Type X gypsum board or equivalent
Structure(s) supporting floor-ceiling assemblies used for separation required by this section	Not less than 1/2-inch gypsum board or equivalent



• EXTERIOR DIMENSIONS ARE TO FACE OF SHEATHING
 • INTERIOR DIMENSIONS ARE TO FACE OF STUD

1 1st Floor Plan - Elev B - 2 Car Garage
 1/8" = 1'-0"



CONTRACTOR AND BUILDER SHALL REVIEW ENTIRE PLAN TO VERIFY CONFORMANCE WITH ALL CURRENT APPLICABLE CODES IN EFFECT AT TIME OF CONSTRUCTION. BY USING THESE DRAWINGS FOR CONSTRUCTION IT IS UNDERSTOOD THAT CONFORMANCE WITH ALL APPLICABLE CODES IS THE RESPONSIBILITY OF THE BUILDER AND CONTRACTOR.

1508 - Elevation B 2Car

1st Floor Plan

Lot #:

Job #:

Address:

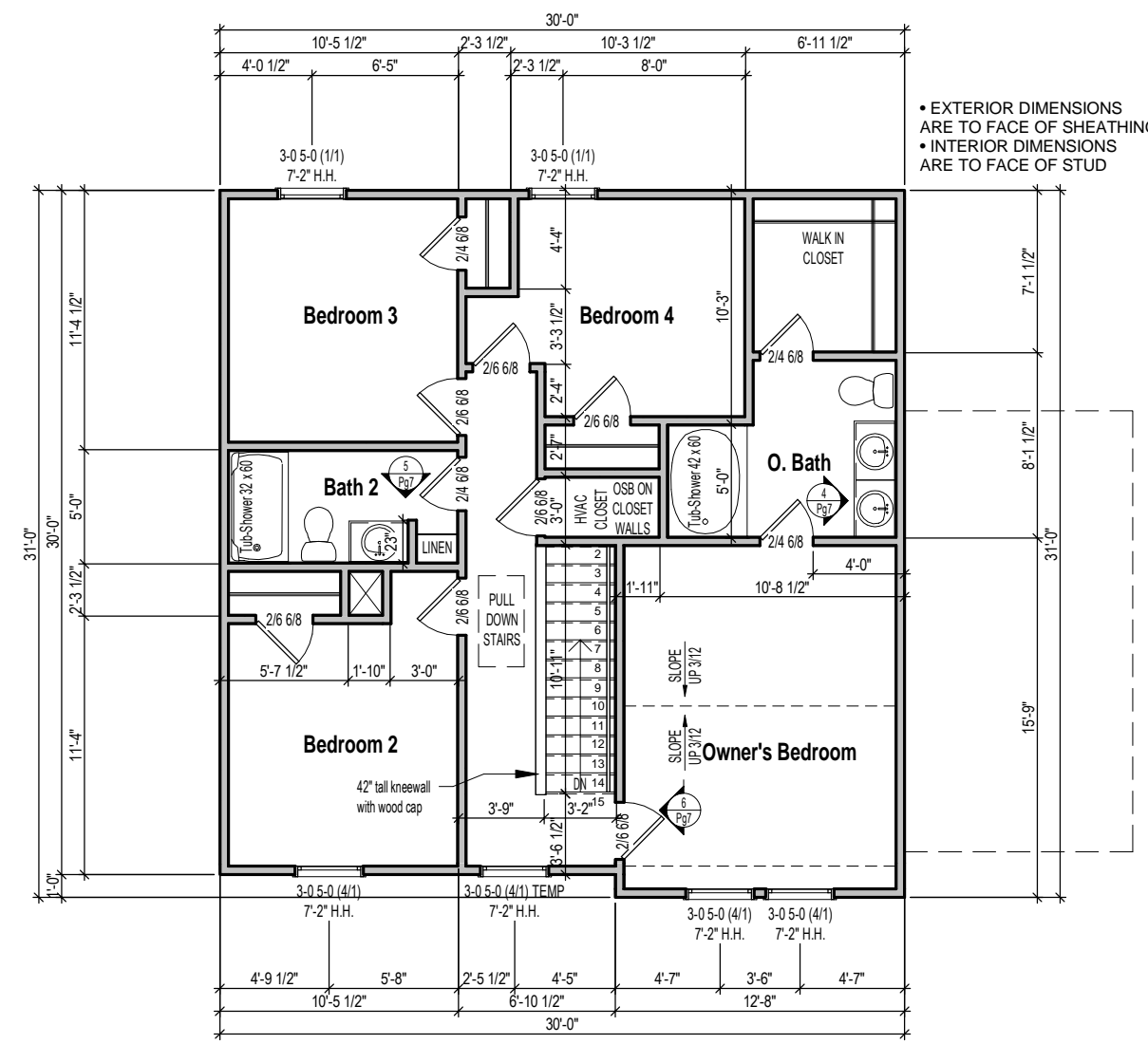
Community:

Last Revision Date:
 11-27-23

Sheet #:
 ElevB-2Car-Pg3



CONTRACTOR AND BUILDER SHALL REVIEW ENTIRE PLAN TO VERIFY CONFORMANCE WITH ALL CURRENT APPLICABLE CODES IN EFFECT AT TIME OF CONSTRUCTION. BY USING THESE DRAWINGS FOR CONSTRUCTION IT IS UNDERSTOOD THAT CONFORMANCE WITH ALL APPLICABLE CODES IS THE RESPONSIBILITY OF THE BUILDER AND CONTRACTOR.



1 2nd Floor Plan - Elev B - 2 Car Garage
 1/8" = 1'-0"

1508 - Elevation B 2Car

2nd Floor Plan

Lot #:

Job #:

Address:

Community:

Last Revision Date:

11-27-23

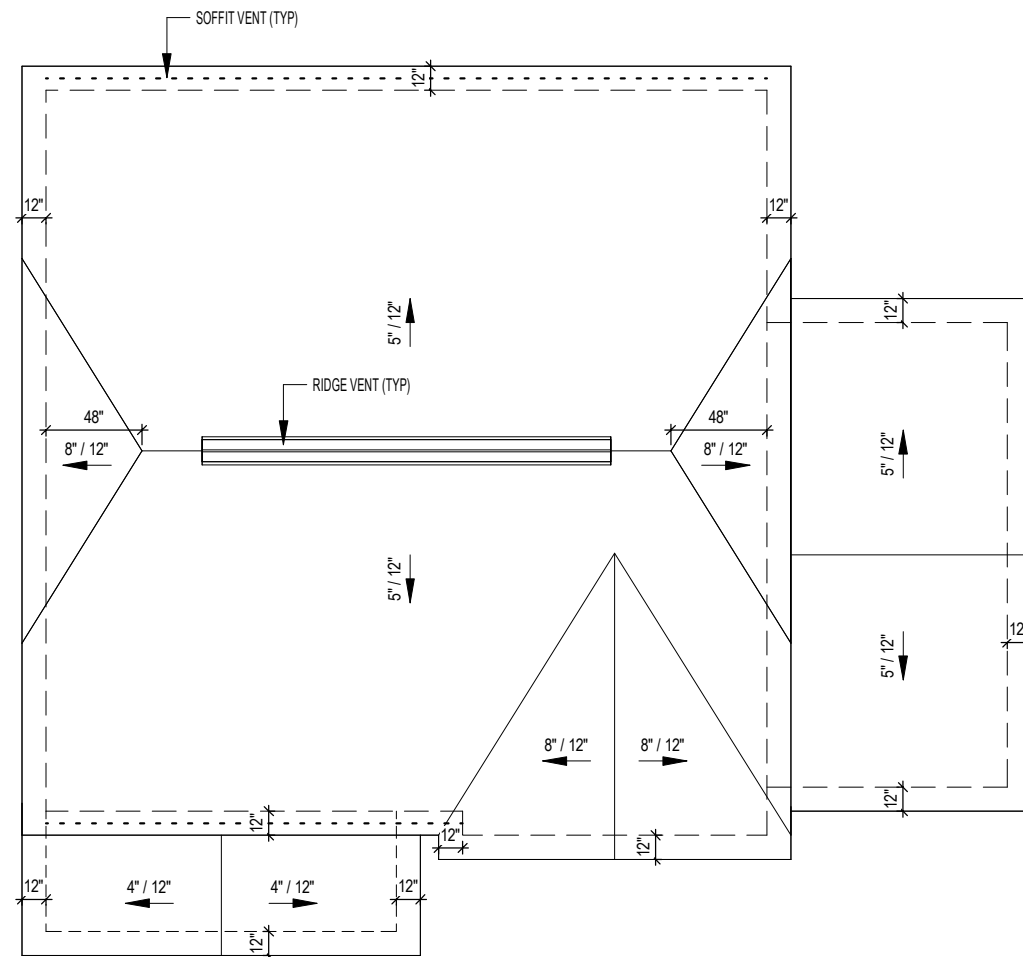
Sheet #:

ElevB-2Car-Pg4

Area Schedule (Attic Elev B)

Name	Area	Ventilation Required (sq.in.)	Max Upper (sq.in.)	Min Upper (sq.in.)	Upper Ventilation (sq.in.)	Lower Ventilation (sq.in.)	Total Ventilation (sq.in.)	Ridge Vent (ln.ft.)	Roof Vents (ea)	Soffit Vents (sq.ft.)
Main Roof	1039 SF	499	399	249	255	282	537	17	0	47

- CALCS BASED ON THE FOLLOWING VALUES**
- Ridge Vents = 15 in² of net free area per linear foot
 - Roof Vents = 50 in² of net free area per unit
 - Soffit Vents = 6 in² of net free area per square foot



① Roof Plan - Elev B - 2 Car Garage
1/8" = 1'-0"



CONTRACTOR AND BUILDER SHALL REVIEW ENTIRE PLAN TO VERIFY CONFORMANCE WITH ALL CURRENT APPLICABLE CODES IN EFFECT AT TIME OF CONSTRUCTION. BY USING THESE DRAWINGS FOR CONSTRUCTION IT IS UNDERSTOOD THAT CONFORMANCE WITH ALL APPLICABLE CODES IS THE RESPONSIBILITY OF THE BUILDER AND CONTRACTOR.

1508 - Elevation B 2Car

Roof Plan

Lot #:

Job #:

Address:

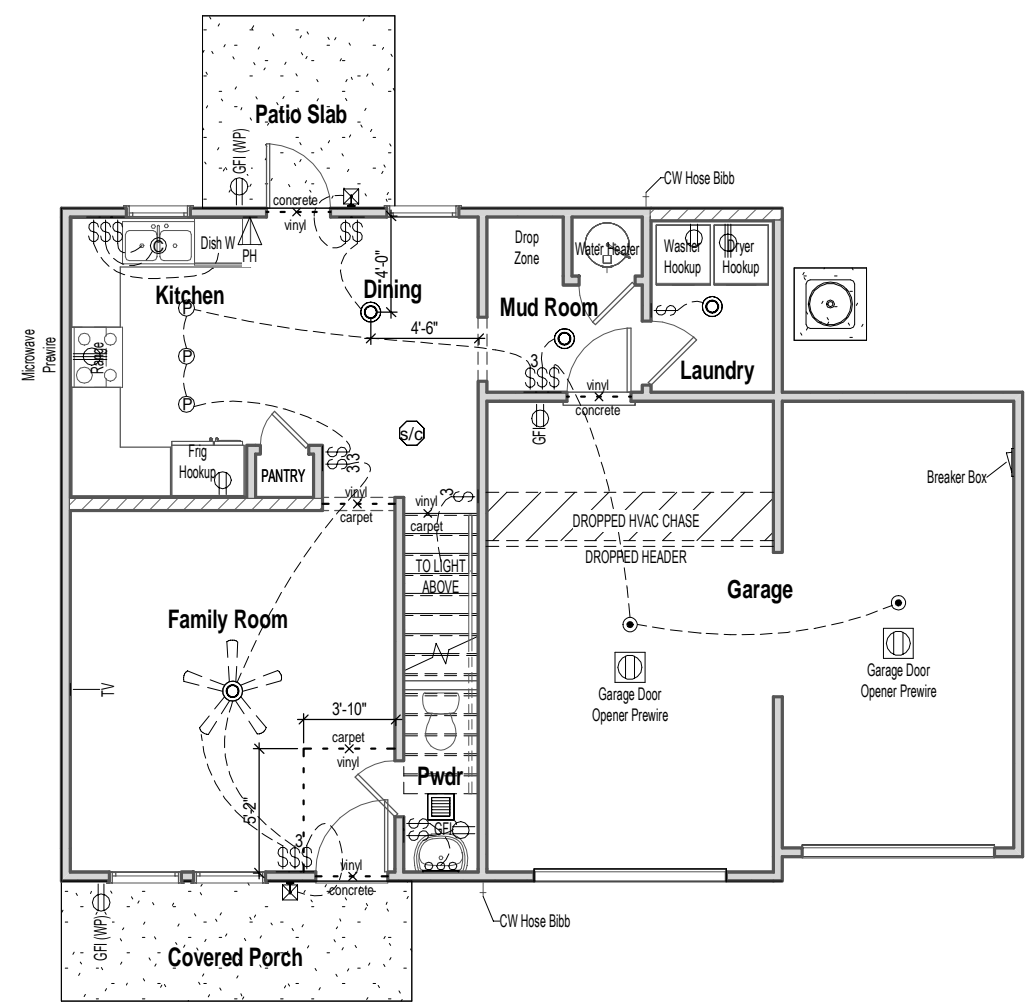
Community:

Last Revision Date:
11-27-23

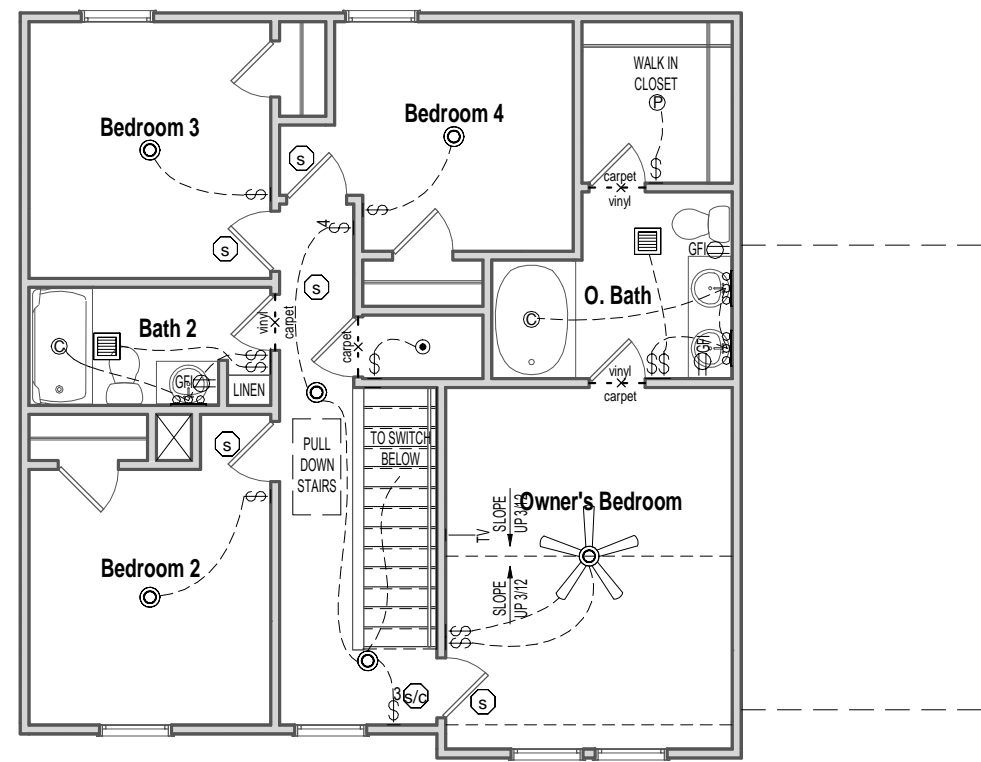
Sheet #:
ElevB-2Car-Pg5



CONTRACTOR AND BUILDER SHALL REVIEW ENTIRE PLAN TO VERIFY CONFORMANCE WITH ALL CURRENT APPLICABLE CODES IN EFFECT AT TIME OF CONSTRUCTION. BY USING THESE DRAWINGS FOR CONSTRUCTION IT IS UNDERSTOOD THAT CONFORMANCE WITH ALL APPLICABLE CODES IS THE RESPONSIBILITY OF THE BUILDER AND CONTRACTOR.



1 1st Floor Electrical - Elev B - 2 Car Garage
1/8" = 1'-0"



2 2nd Floor Electrical - Elev B - 2 Car Garage
1/8" = 1'-0"

ELECTRICAL LEGEND

WALL MOUNTED FIXTURES			CEILING MOUNTED FIXTURES		
	OUTLET - 110V		OUTLET - TV		WALL LIGHT
	OUTLET - 110V GROUND FAULT INTERRUPTER		OUTLET - PHONE		18" LIGHT BAR
	OUTLET - 110V GROUND FAULT INTERRUPTER WATER PROOF		SWITCH - SINGLE POLE		COACH LIGHT - FRONT DOOR
	OUTLET - 220V		SWITCH - 3 WAY		COACH LIGHT - REAR DOOR
	FLUORESCENT 1'X4' 2 LAMPS		SWITCH - 4 WAY		KEYLESS
					GARAGE DOOR OPENER PREWIRE
					FLUSH MOUNT
					RECESSED CAN
					RECESSED CANLESS
					SMOKE DETECTOR
					SMOKE DETECTOR/CO2
					BATHROOM EXHAUST FAN
					FLUSH MOUNT W-FAN PREWIRE
					FLUSH MOUNT W-FAN

Outlets shown on the electrical layout are in addition to the outlets that shall be provided in accordance with International Residential Code Sections E3901.2 through E3901.11.

1508 - Elevation B 2Car

Electrical & Flooring Plan

Lot #:

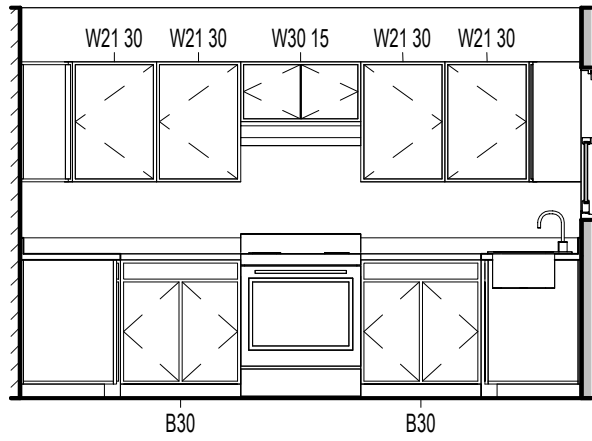
Job #:

Address:

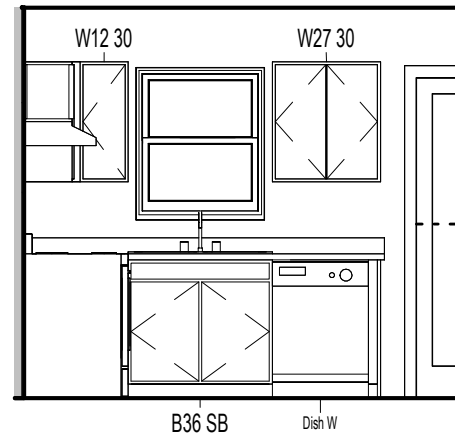
Community:

Last Revision Date:
11-27-23

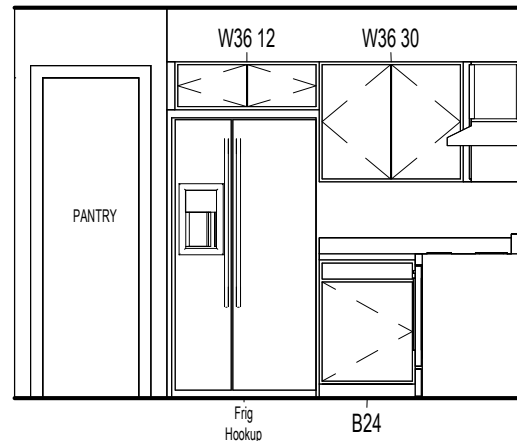
Sheet #:
ElevB-2Car-Pg6



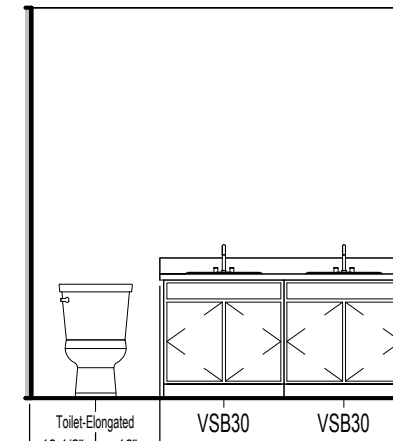
1 Kitchen 1
1/4" = 1'-0"



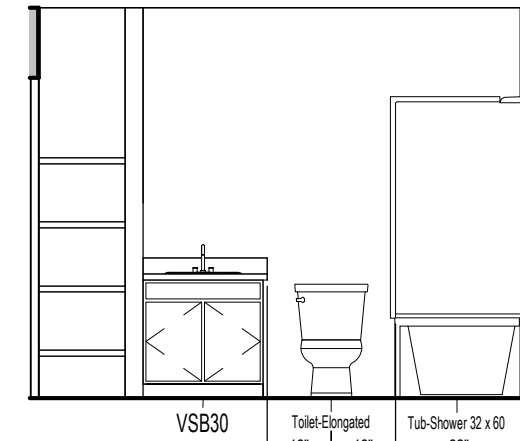
2 Kitchen 2
1/4" = 1'-0"



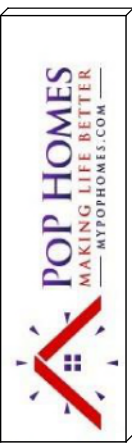
3 Kitchen 3
1/4" = 1'-0"



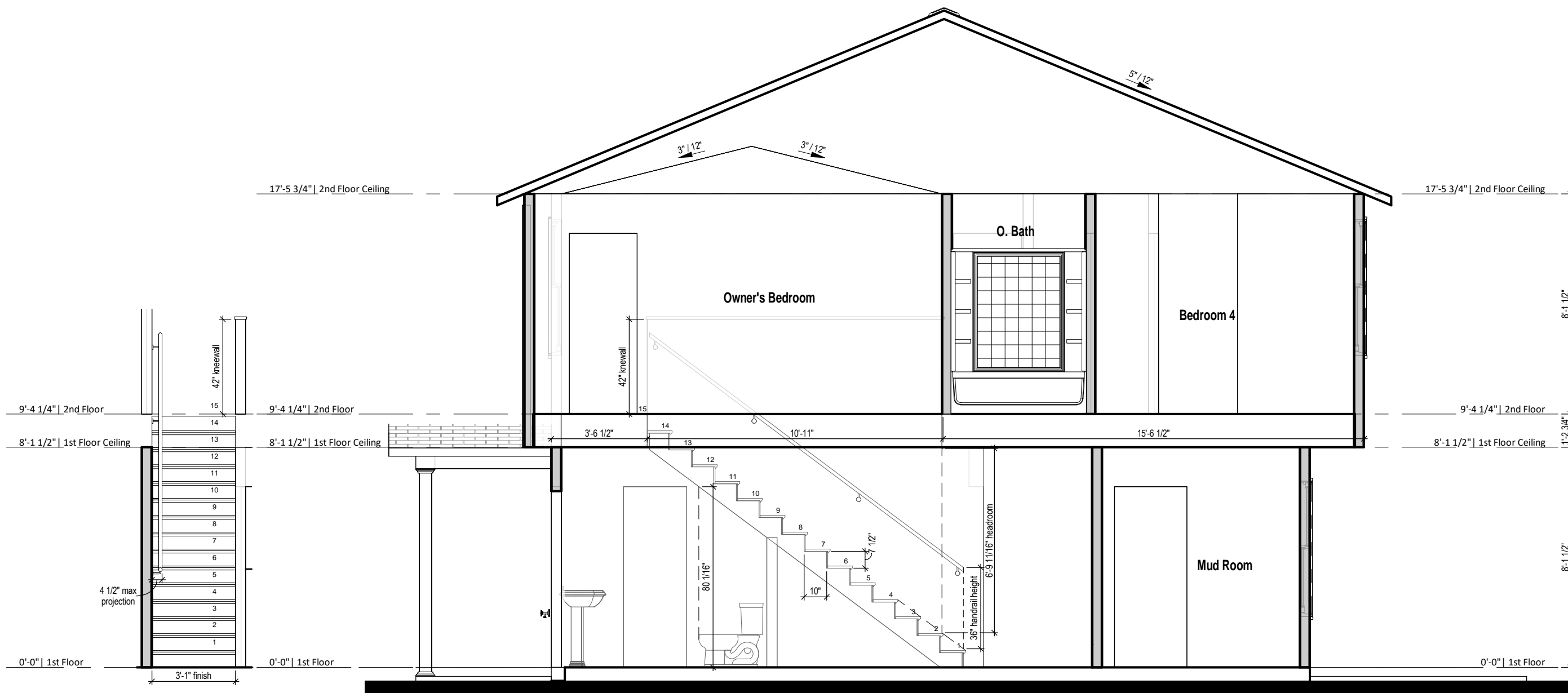
4 Owner's Bath
1/4" = 1'-0"



5 Bath 2
1/4" = 1'-0"



CONTRACTOR AND BUILDER SHALL REVIEW ENTIRE PLAN TO VERIFY CONFORMANCE WITH ALL CURRENT APPLICABLE CODES IN EFFECT AT TIME OF CONSTRUCTION. BY USING THESE DRAWINGS FOR CONSTRUCTION IT IS UNDERSTOOD THAT CONFORMANCE WITH ALL APPLICABLE CODES IS THE RESPONSIBILITY OF THE BUILDER AND CONTRACTOR.



7 Stair Section
1/4" = 1'-0"

6 Building Section
1/4" = 1'-0"

1508 - Elevation A & B 1Car 2Car

Interior Elevations

Lot #:

Job #:

Address:

Community:

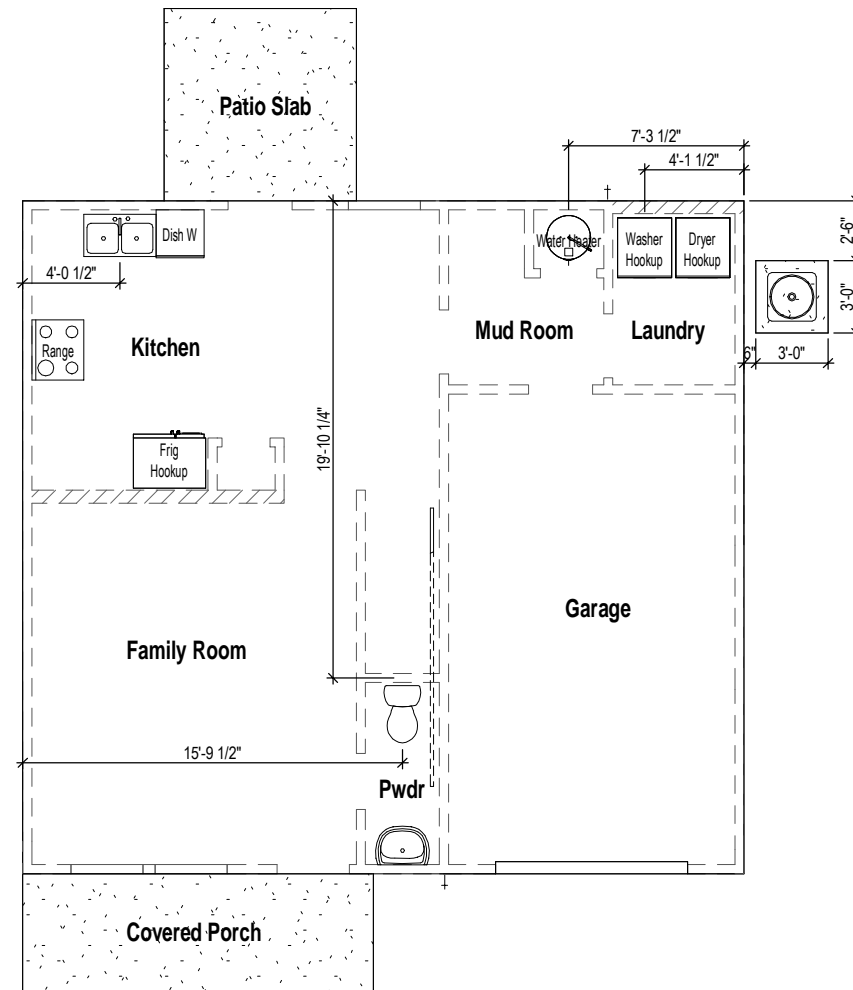
Last Revision Date:

11-27-23

Sheet #:

Pg7

REFER TO STRUCTURAL DRAWINGS FOR ALL FOUNDATION DIMENSIONS



① Slab Penetrations
1/8" = 1'-0"



CONTRACTOR AND BUILDER SHALL REVIEW ENTIRE PLAN TO VERIFY CONFORMANCE WITH ALL CURRENT APPLICABLE CODES IN EFFECT AT TIME OF CONSTRUCTION. BY USING THESE DRAWINGS FOR CONSTRUCTION IT IS UNDERSTOOD THAT CONFORMANCE WITH ALL APPLICABLE CODES IS THE RESPONSIBILITY OF THE BUILDER AND CONTRACTOR.

1508 - Elevation A & B 1Car 2Car

Slab Penetrations

Lot #:

Job #:

Address:

Community:

Last Revision Date:

11-27-23

Sheet #:

Pg8



1900 AM DRIVE, SUITE 201, QUAKERTOWN, PA 18951
 www.kse-eng.com (215) 804 - 4449

1508

NORTH CAROLINA

THESE DRAWINGS ARE TO BE USED IN CONJUNCTION WITH AND COORDINATED WITH THE ARCHITECTURAL, CIVIL, MECHANICAL, ELECTRICAL, AND PLUMBING DRAWINGS. THIS COORDINATION IS NOT THE RESPONSIBILITY OF THE STRUCTURAL ENGINEER OF RECORD (SER). SHOULD ANY DISCREPANCIES BECOME APPARENT, THE CONTRACTOR SHALL NOTIFY KSE ENGINEERING, P.C. BEFORE CONSTRUCTION BEGINS. IT IS THE INTENT OF THE ENGINEER LISTED ON THESE DOCUMENTS THAT THESE DOCUMENTS BE ACCURATE, PROVIDING LICENSED PROFESSIONALS CLEAR INFORMATION. EVERY ATTEMPT HAS BEEN MADE TO PREVENT ERROR. THE BUILDER AND ALL SUBCONTRACTORS ARE REQUIRED TO REVIEW ALL OF THE INFORMATION CONTAINED IN THESE DOCUMENTS PRIOR TO THE COMMENCEMENT OF ANY WORK. THE ENGINEER IS NOT RESPONSIBLE FOR ANY PLAN ERRORS, OMISSIONS, OR MISINTERPRETATIONS UNDETECTED AND NOT REPORTED TO THE ENGINEER PRIOR TO CONSTRUCTION. ALL CONSTRUCTION MUST BE IN ACCORDANCE TO THE INFORMATION FOUND IN THESE DOCUMENTS.

DESIGN SPECIFICATIONS:

DESIGN BUILDING CODE (REFERRED TO HEREIN AS 'THE BUILDING CODE'):
 • 2018 NORTH CAROLINA RESIDENTIAL CODE. WALL BRACING PER INTERNATIONAL RESIDENTIAL CODE 2015 EDITION

DESIGN LIVE LOADS:
 • ROOF = 20 PSF (LOAD DURATION FACTOR=1.25)
 • UNINHABITABLE ATTICS WITH LIMITED STORAGE = 20 PSF (WHERE SPECIFIED ON PLANS)
 • HABITABLE ATTICS AND ATTICS SERVED WITH FIXED STAIRS = 30 PSF
 • FLOOR = 40 PSF
 • FLOOR (SLEEPING AREAS) = 30 PSF
 • DECK/BALCONY = 40 PSF
 • STAIRS = 40 PSF

DESIGN DEAD LOADS:
 • ROOF TRUSS = 17 PSF (TC=7, BC=10)
 • FLOOR TRUSS = 15 PSF (TC=10, BC=5)
 • FLOOR JOIST = 10 PSF
 • STANDARD BRICK = 40 PSF
 • QUEEN ANNE BRICK = 25 PSF

NOTE: STRUCTURAL FRAMING HAS NOT BEEN DESIGNED FOR TILE, GRANITE, MARBLE OR OTHER MATERIALS HEAVIER THAN THE ABOVE LOADING UNLESS SPECIFICALLY NOTED ON PLANS.

DESIGN WIND LOADS:
 • ULTIMATE WIND SPEED = 115 MPH
 • EXPOSURE CATEGORY = B

ASSUMED SOIL BEARING CAPACITY = 2000 PSF

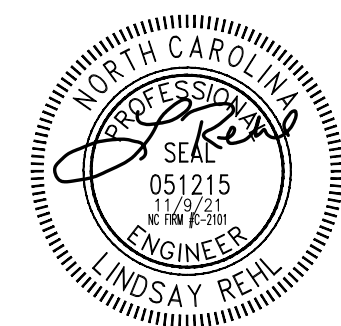
ASSUMED LATERAL SOIL PRESSURE = 45 PCF

FROST DEPTH = 12" MINIMUM

SEISMIC DESIGN CATEGORY = B

ENGINEERED LUMBER SHALL HAVE THE FOLLOWING MINIMUM DESIGN VALUES:

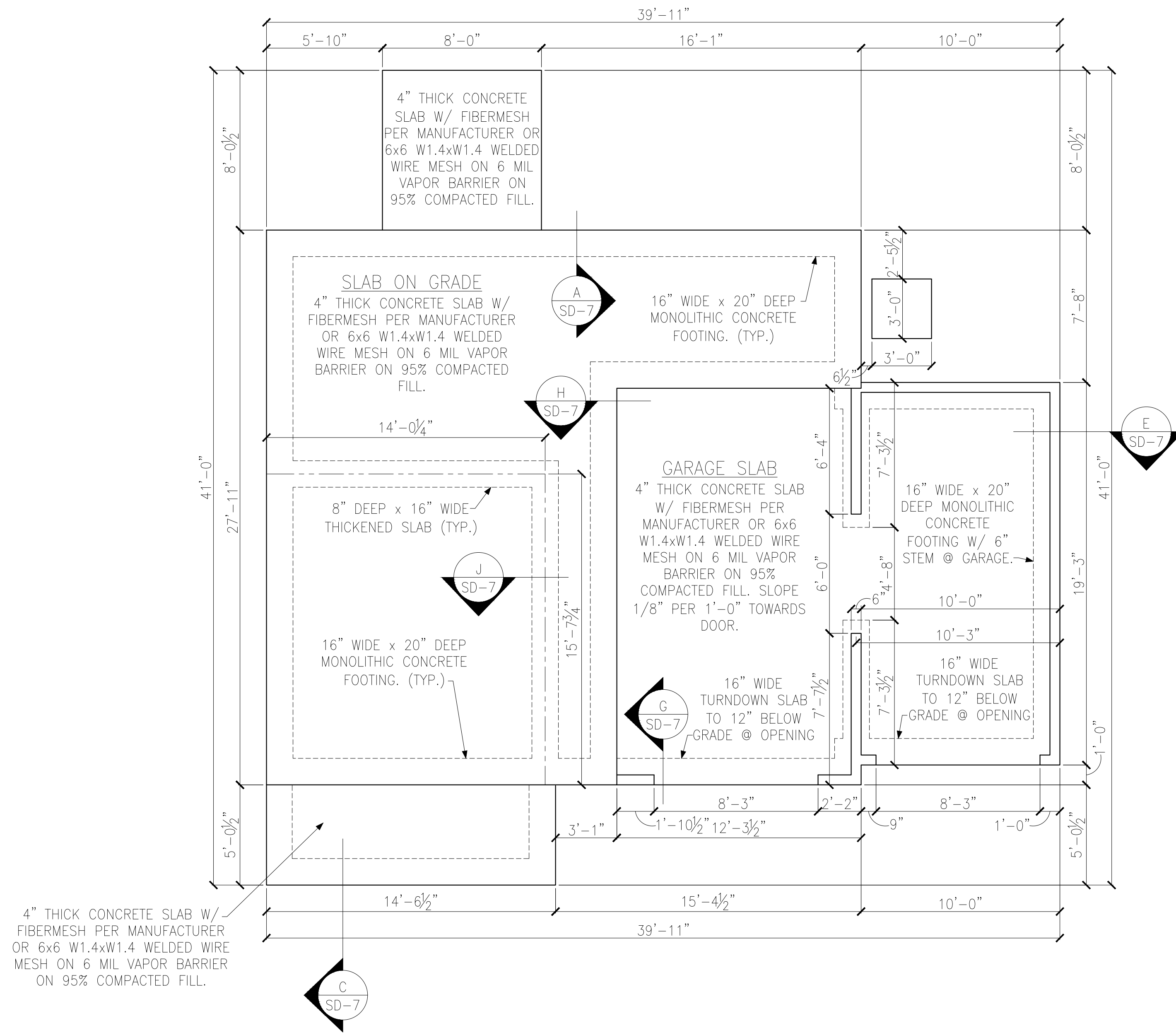
- BCI 4500s SERIES (SERIES AND SPACING PER PLANS)
- LVL: E=2,000,000 PSI, F_b=3,100 PSI, F_v=285 PSI, F_c=750 PSI



Cover Sheet
 1508 - RH
 115 M.P.H.
 North Carolina

Project #: 170-19001
 Designed By: JPS
 Checked By:
 Issue Date: 6/27/19
 Re-Issue: 2/17/20
 Scale: 1/8"=1'-0" @ 11x17
 1/4"=1'-0" @ 22x34

S-0



MONOLITHIC SLAB FOUNDATION PLAN
ELEVATION 'B' w/ 2-CAR GARAGE

LEGEND

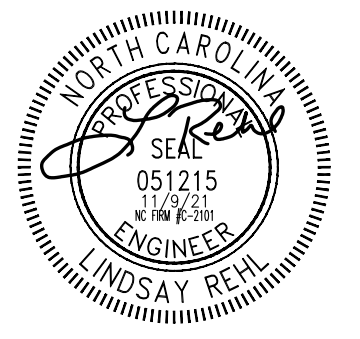
- PROVIDE SOLID BLOCKING WITHIN FLOOR SYSTEM TO MATCH POST SIZE ABOVE.
- BEARING WALL ABOVE
- INTERIOR BEARING WALL
- BRACED WALL PANEL (SEE KSE STRUCTURAL DETAILS SET FOR BRACED WALL PANEL SHEATHING FASTENING & BLOCKING DETAILS)
- 48" WSP
- SEE HOLDOWN SCHEDULE AND DETAILS ON SD-2 FOR TYPICAL INSTALLATION

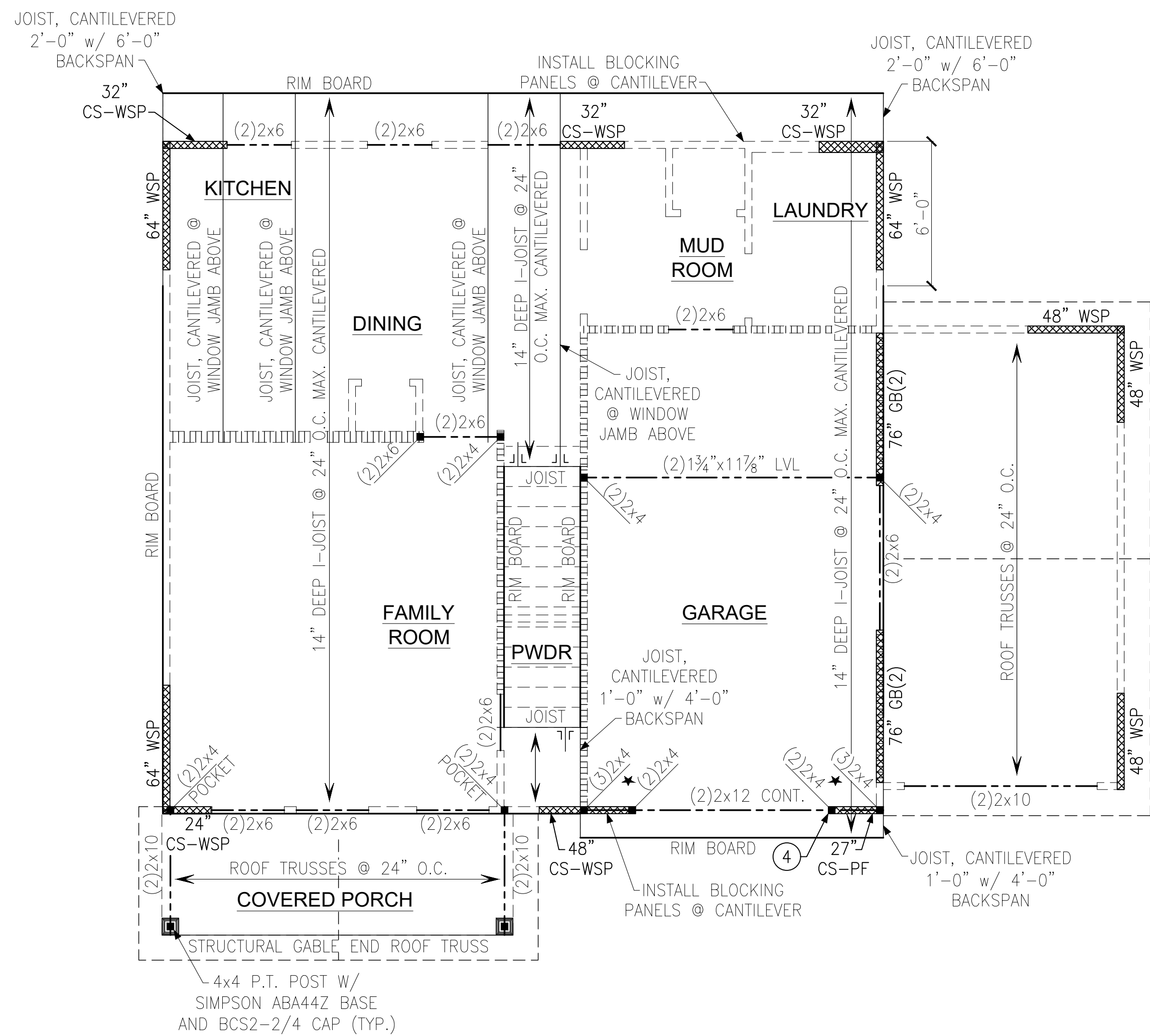
REFER TO KSE STRUCTURAL DETAILS SET FOR GENERAL STRUCTURAL NOTES AND TYPICAL DETAILS. SEE ARCHITECTURAL PLANS FOR DIMENSIONS NOT SHOWN.



Monolithic Slab Foundation Plan
Elevation 'B' w/ 2-Car Garage
1508 - RH
115 M.P.H.
North Carolina

Project #:	170-19001
Designed By:	JPS
Checked By:	
Issue Date:	6/27/19
Re-Issue:	2/17/20
Scale:	1/8"=1'-0" @ 11x17 1/4"=1'-0" @ 22x34





SECOND FLOOR FRAMING PLAN
 ELEVATION 'B' w/ 2-CAR GARAGE

LEGEND

- ★ → PROVIDE SOLID BLOCKING WITHIN FLOOR SYSTEM TO MATCH POST SIZE ABOVE.
- → BEARING WALL ABOVE
- → INTERIOR BEARING WALL
- ▨ → BRACED WALL PANEL (SEE KSE STRUCTURAL DETAILS SET FOR BRACED WALL PANEL SHEATHING FASTENING & BLOCKING DETAILS)
- 48" WSP

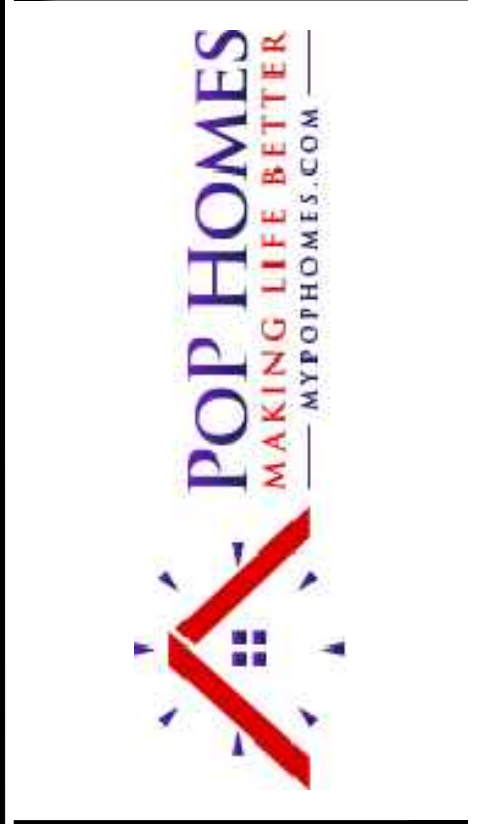
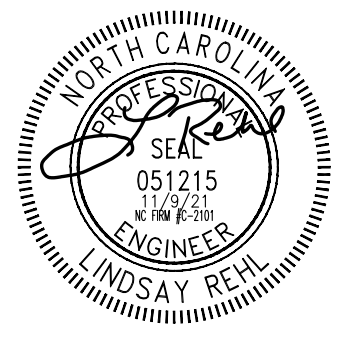
REFER TO KSE STRUCTURAL DETAILS SET FOR GENERAL STRUCTURAL NOTES AND TYPICAL DETAILS

PLAN DESIGNED WITH 8" NOMINAL WALL PLATE HEIGHT

FLOOR FRAMING TO BE 14" DEEP BCI 4500S SERIES. SPACING PER SUPPLIER.

KEYNOTES:

④ INSTALL ONE PANEL CS-PF PORTAL FRAME PER DETAIL A OR B/SD-4.



Project #: 170-19001

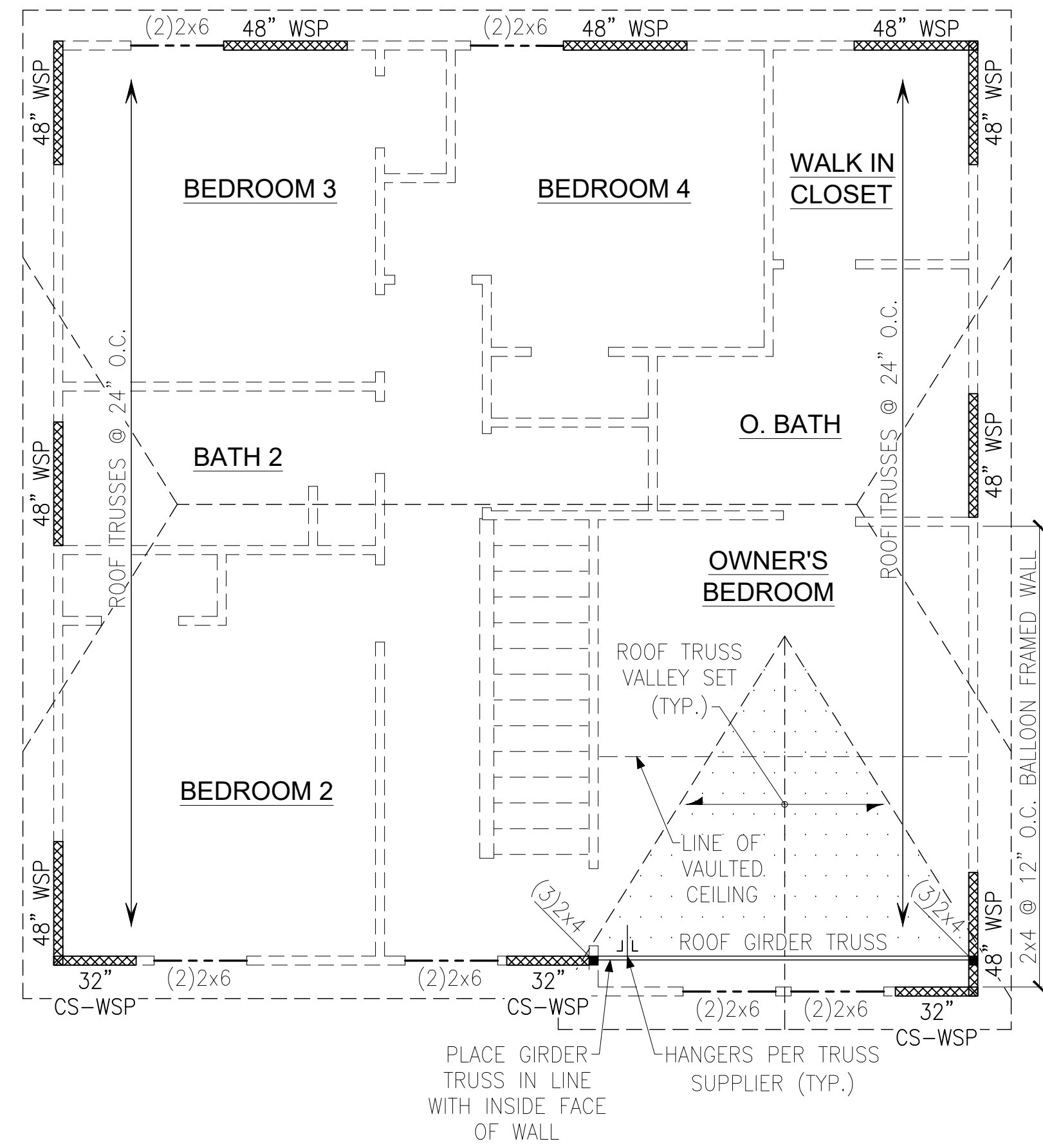
Designed By: JPS

Checked By:

Issue Date: 6/27/19

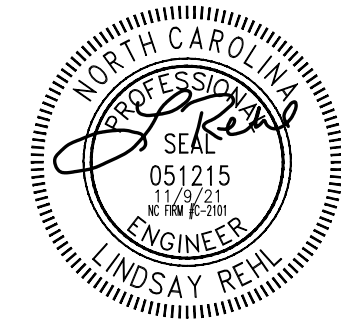
Re-Issue: 2/17/20

Scale: 1/8"=1'-0" @ 11x17
 1/4"=1'-0" @ 22x34



ROOF FRAMING PLAN
ELEVATION 'B'

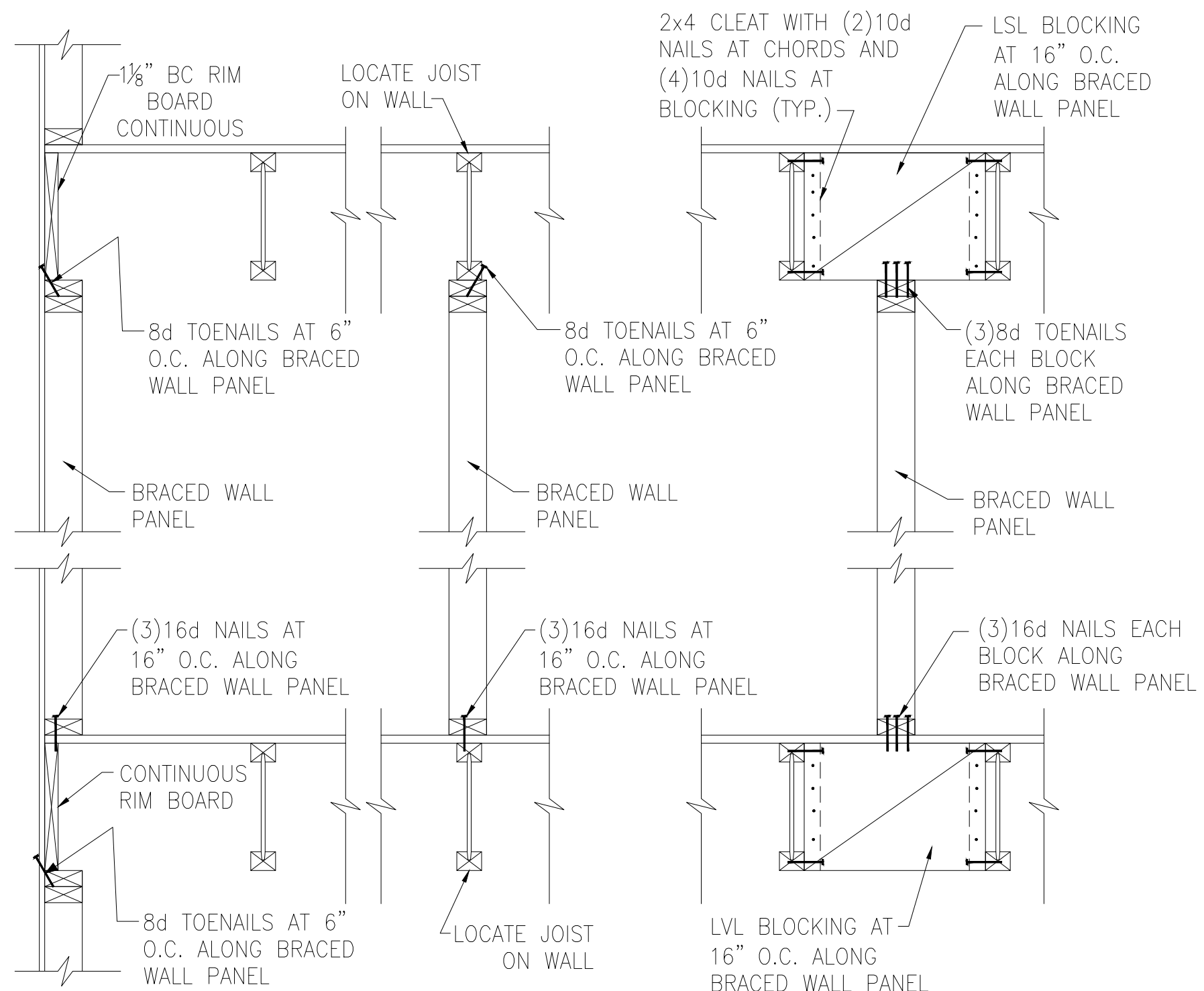
LEGEND	
	PROVIDE SOLID BLOCKING WITHIN FLOOR SYSTEM TO MATCH POST SIZE ABOVE.
	BEARING WALL ABOVE
	INTERIOR BEARING WALL
	BRACED WALL PANEL (SEE KSE STRUCTURAL DETAILS SET FOR BRACED WALL PANEL SHEATHING FASTENING & BLOCKING DETAILS)
	48" WSP
REFER TO KSE STRUCTURAL DETAILS SET FOR GENERAL STRUCTURAL NOTES AND TYPICAL DETAILS	
PLAN DESIGNED WITH 8' NOMINAL WALL PLATE HEIGHT	



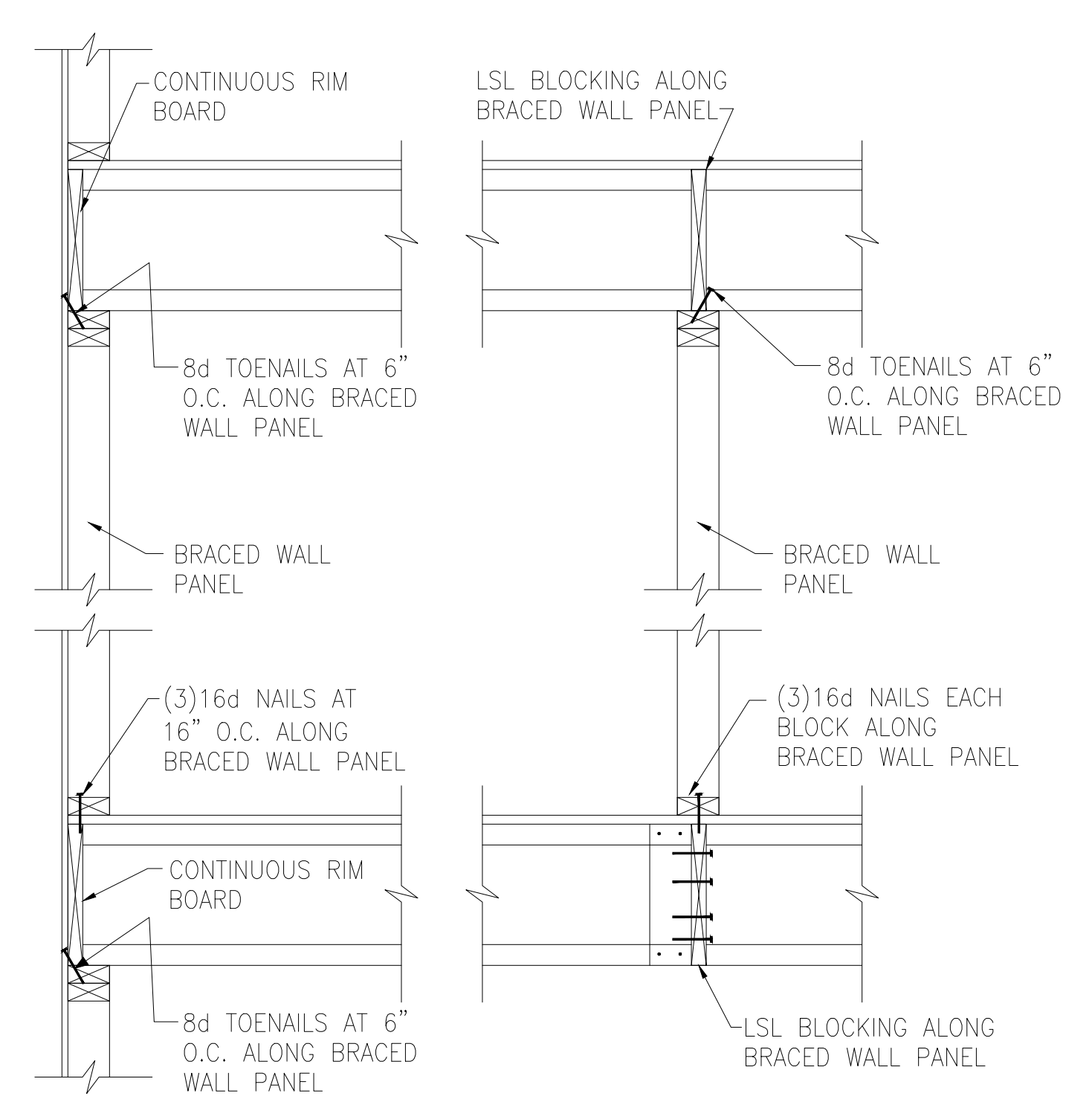
Roof Framing Plan
Elevation 'B'
1508 - RH
115 M.P.H.
North Carolina

Project #: 170-19001
Designed By: JPS
Checked By:
Issue Date: 6/27/19
Re-Issue: 2/17/20
Scale: 1/8"=1'-0" @ 11x17
1/4"=1'-0" @ 22x34

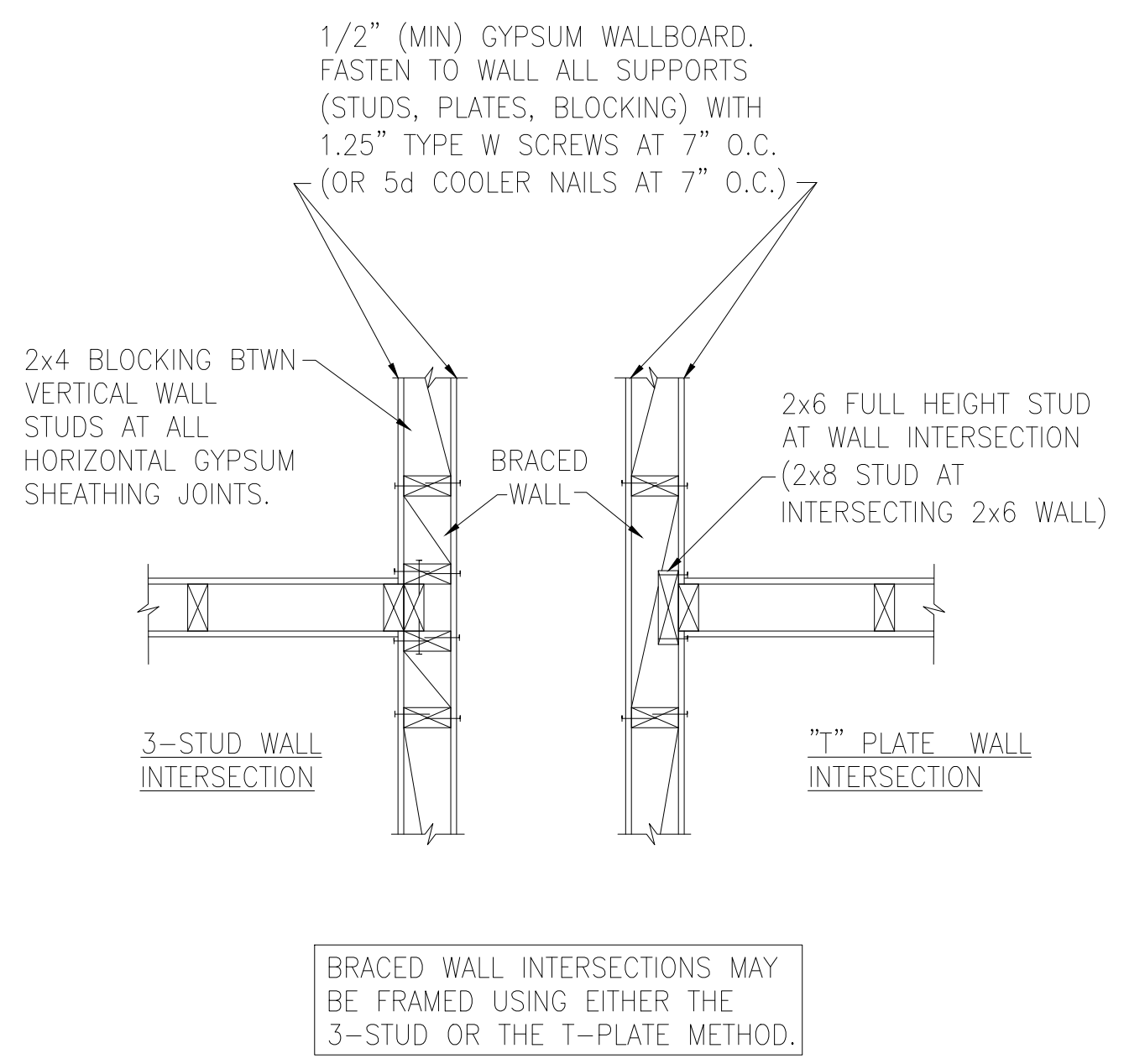




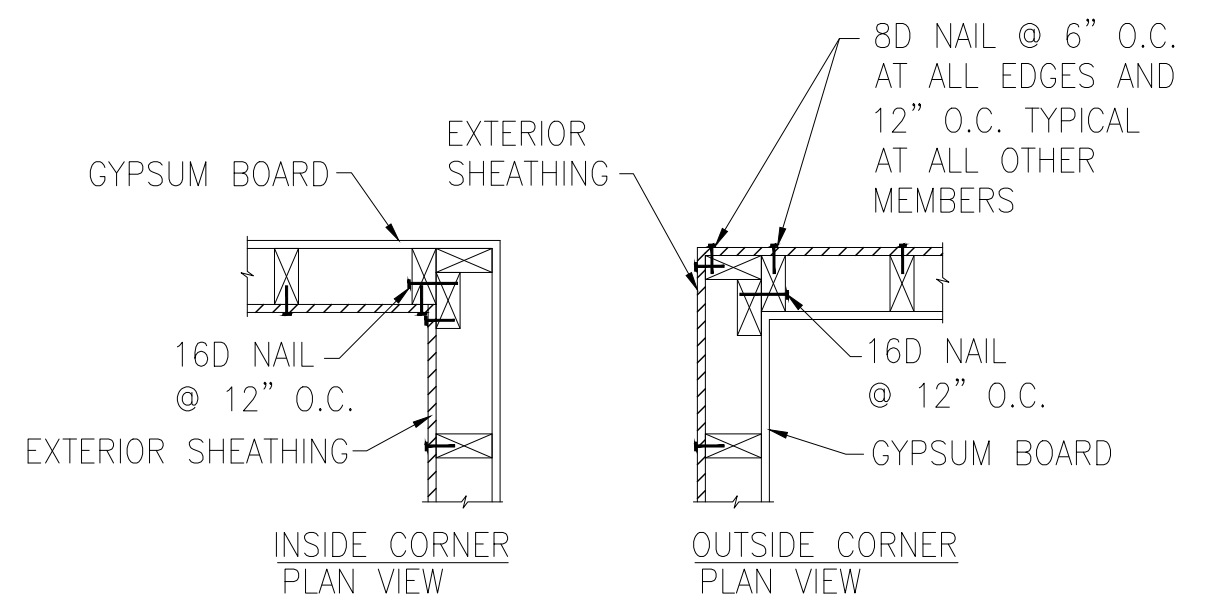
A TYPICAL BRACED WALL PANEL TO FLOOR/CEILING CONNECTION
BRACED WALL PANELS PARALLEL TO I-JOISTS



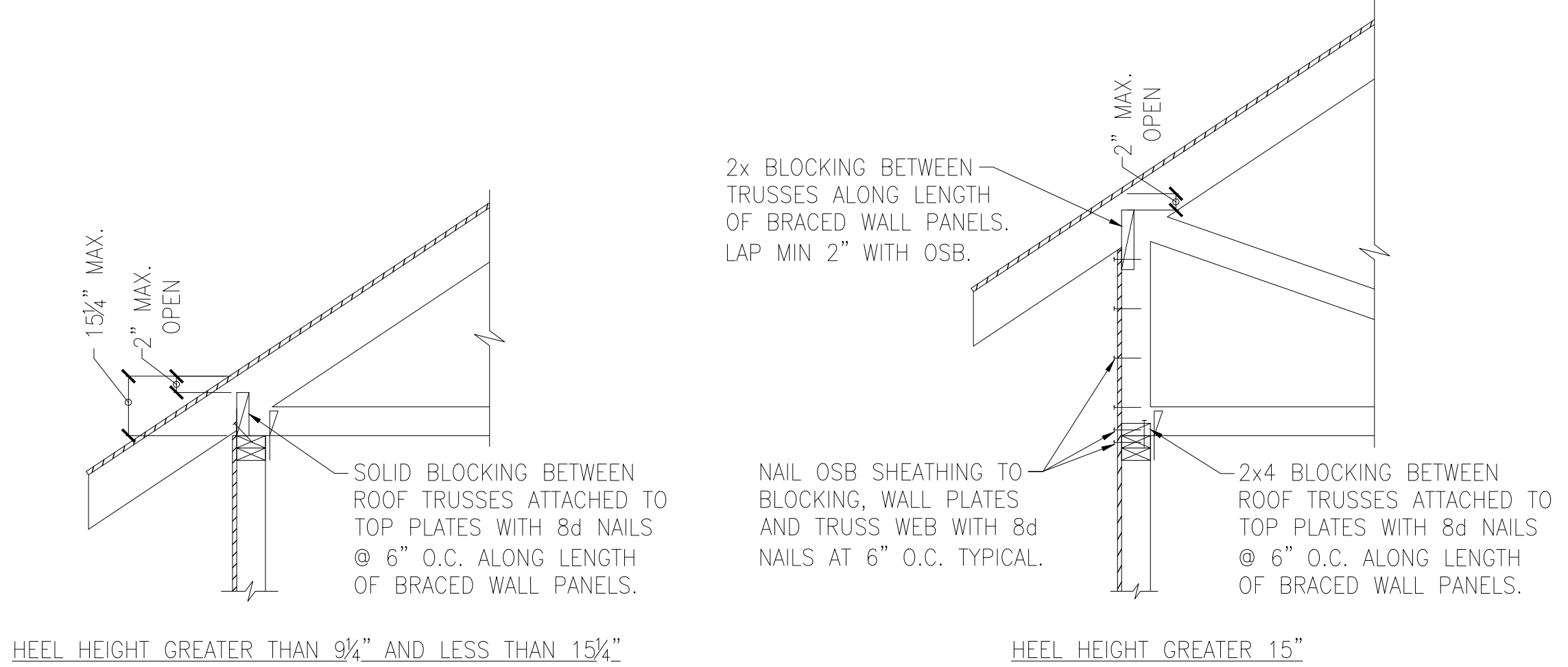
B TYPICAL BRACED WALL PANEL TO FLOOR/CEILING CONNECTION
BRACED WALL PANELS PERPENDICULAR TO I-JOISTS



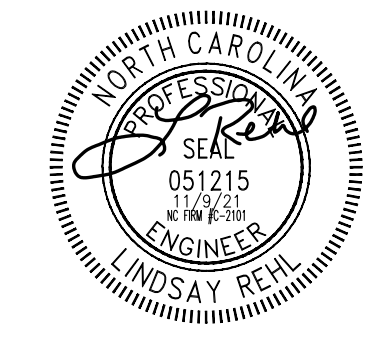
C METHOD GB(1) AND GB(2) INTERSECTION DETAILS

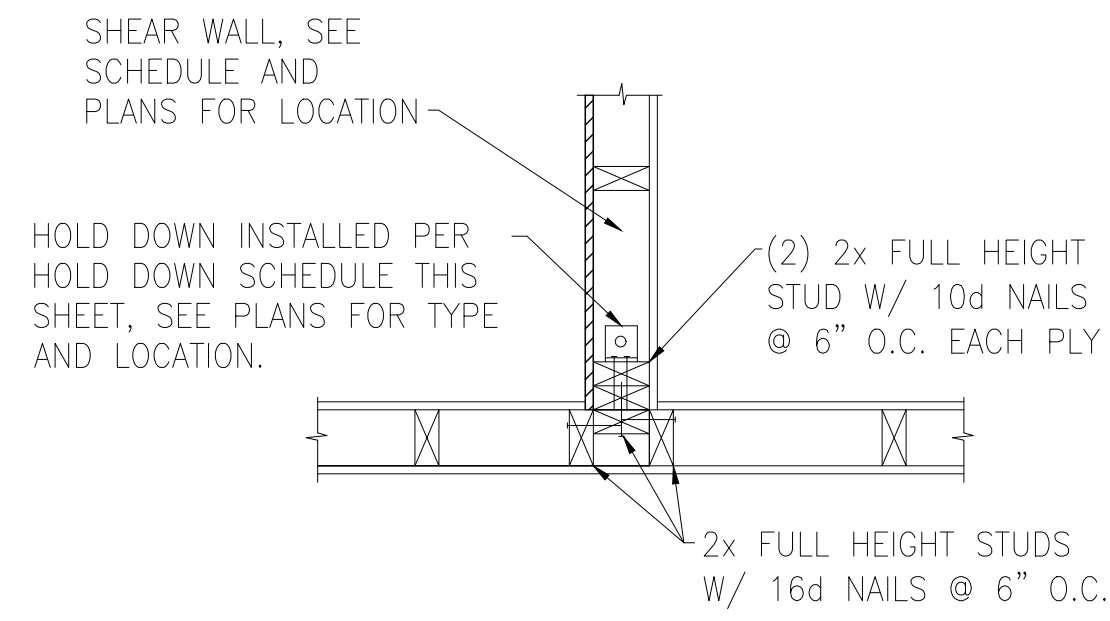


D TYPICAL EXTERIOR CORNER WALL FRAMING

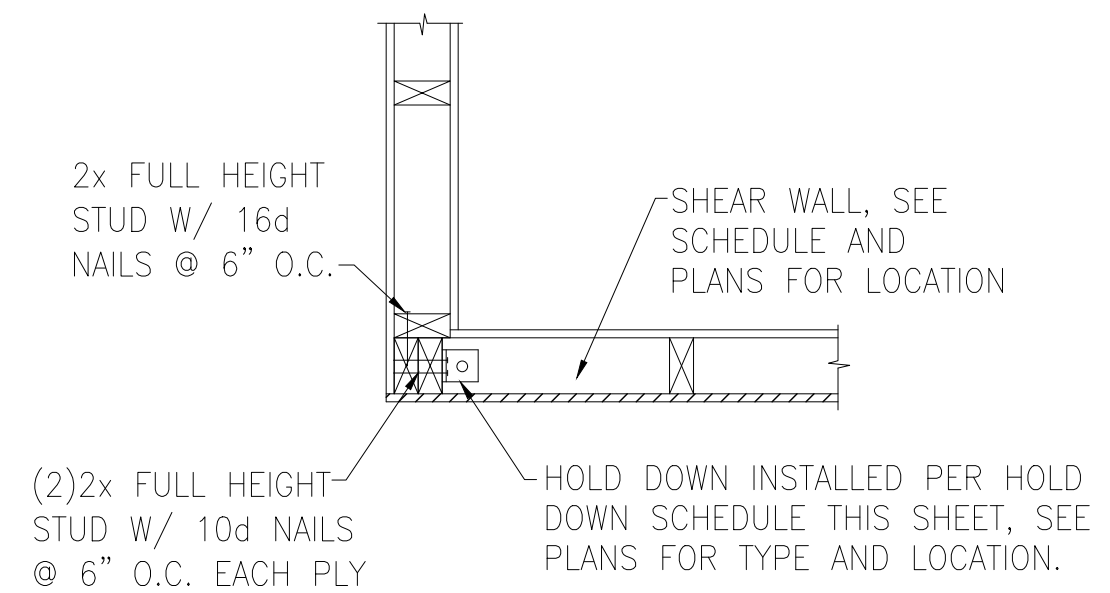


E ROOF TRUSS BEARING/BLOCKING AT BRACED WALL PANELS
ONLY REQUIRED AT BRACED WALL PANELS

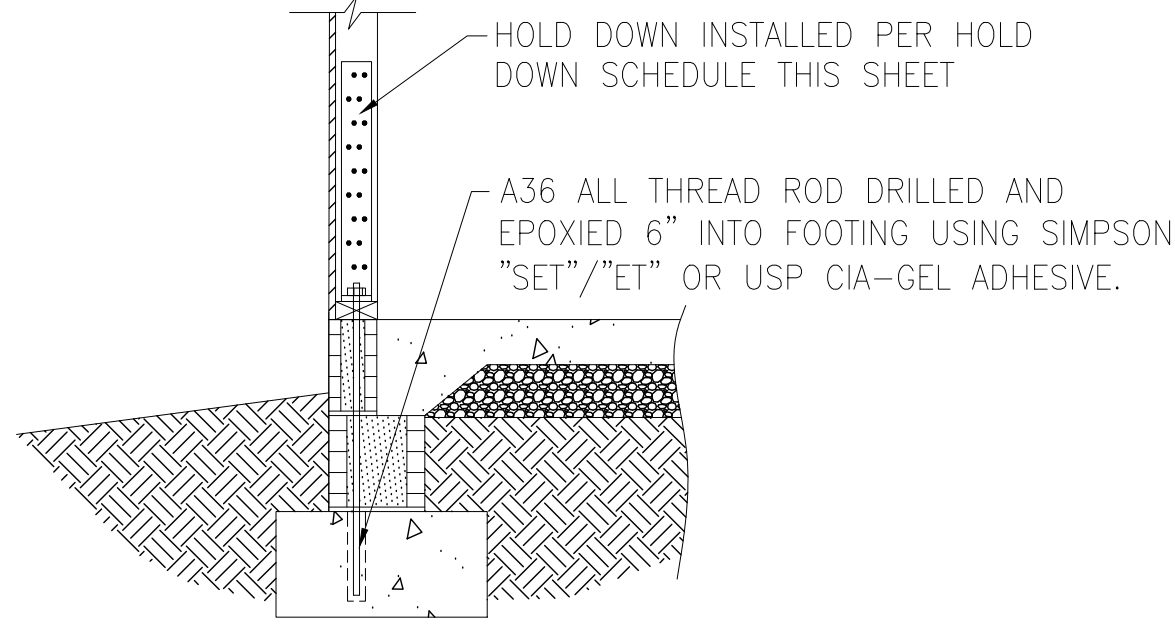




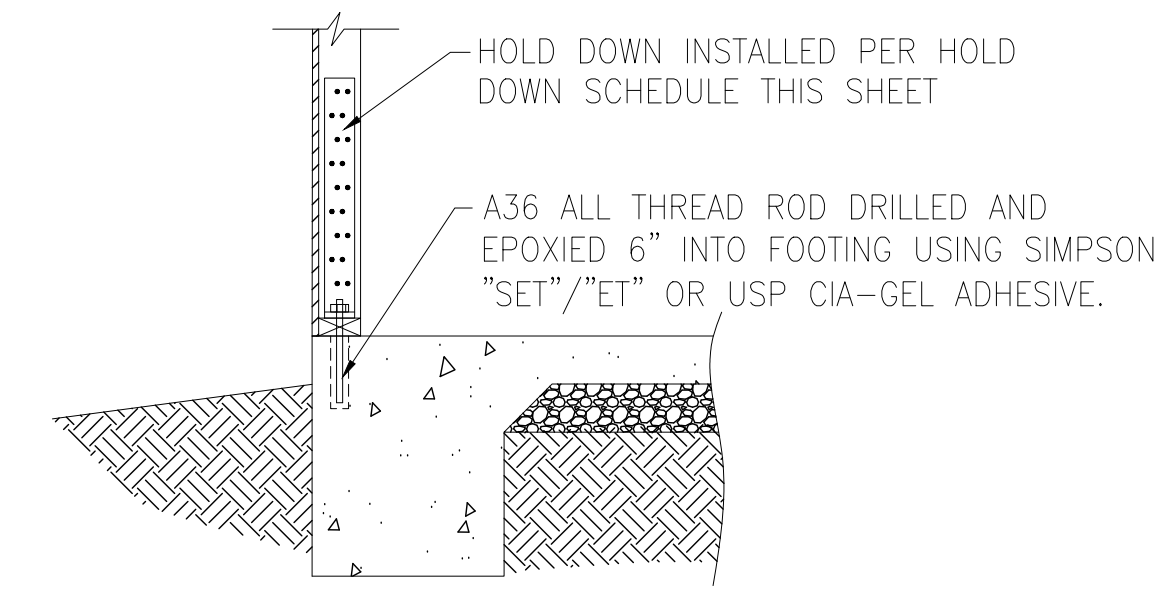
A TYPICAL HOLD DOWN DETAIL



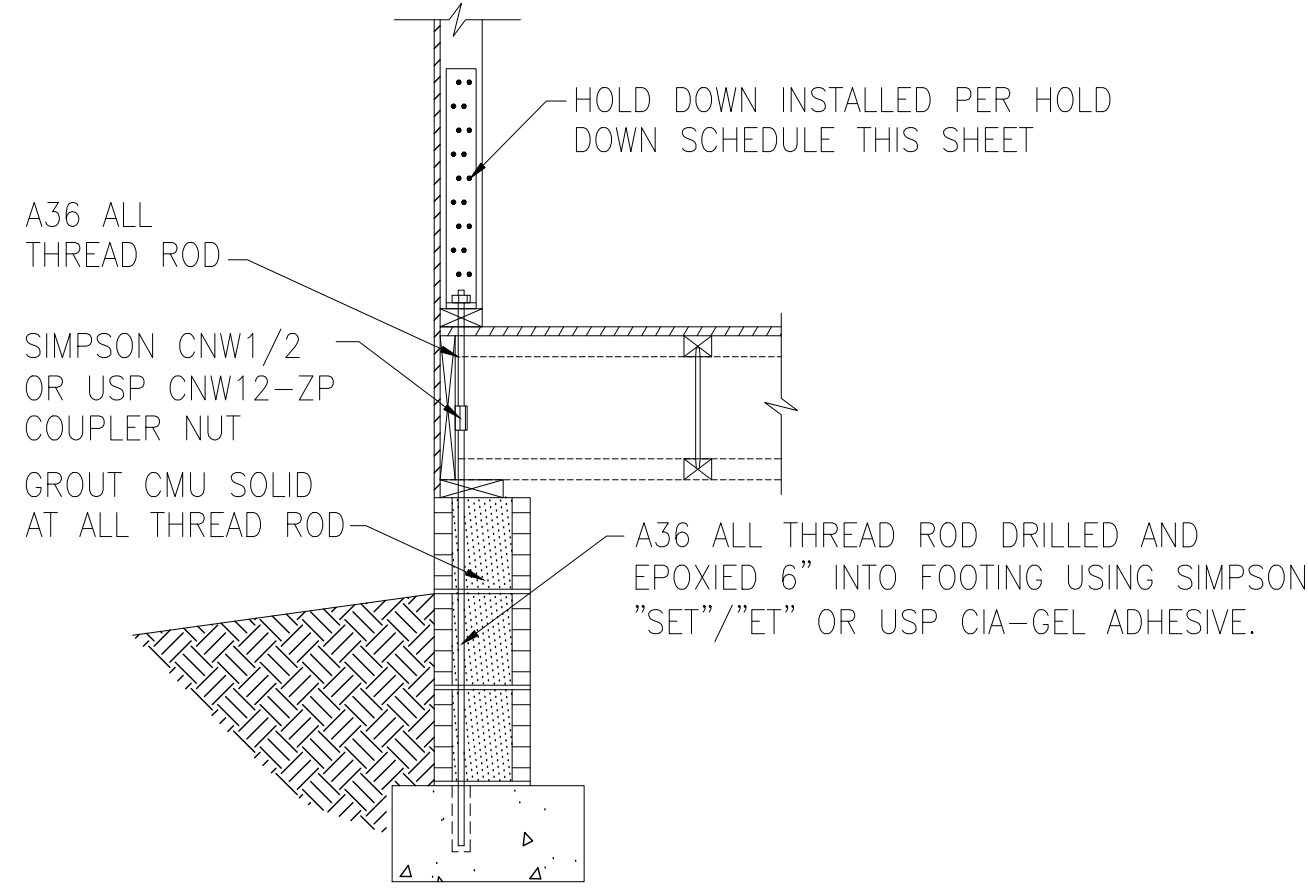
B TYPICAL HOLD DOWN DETAIL



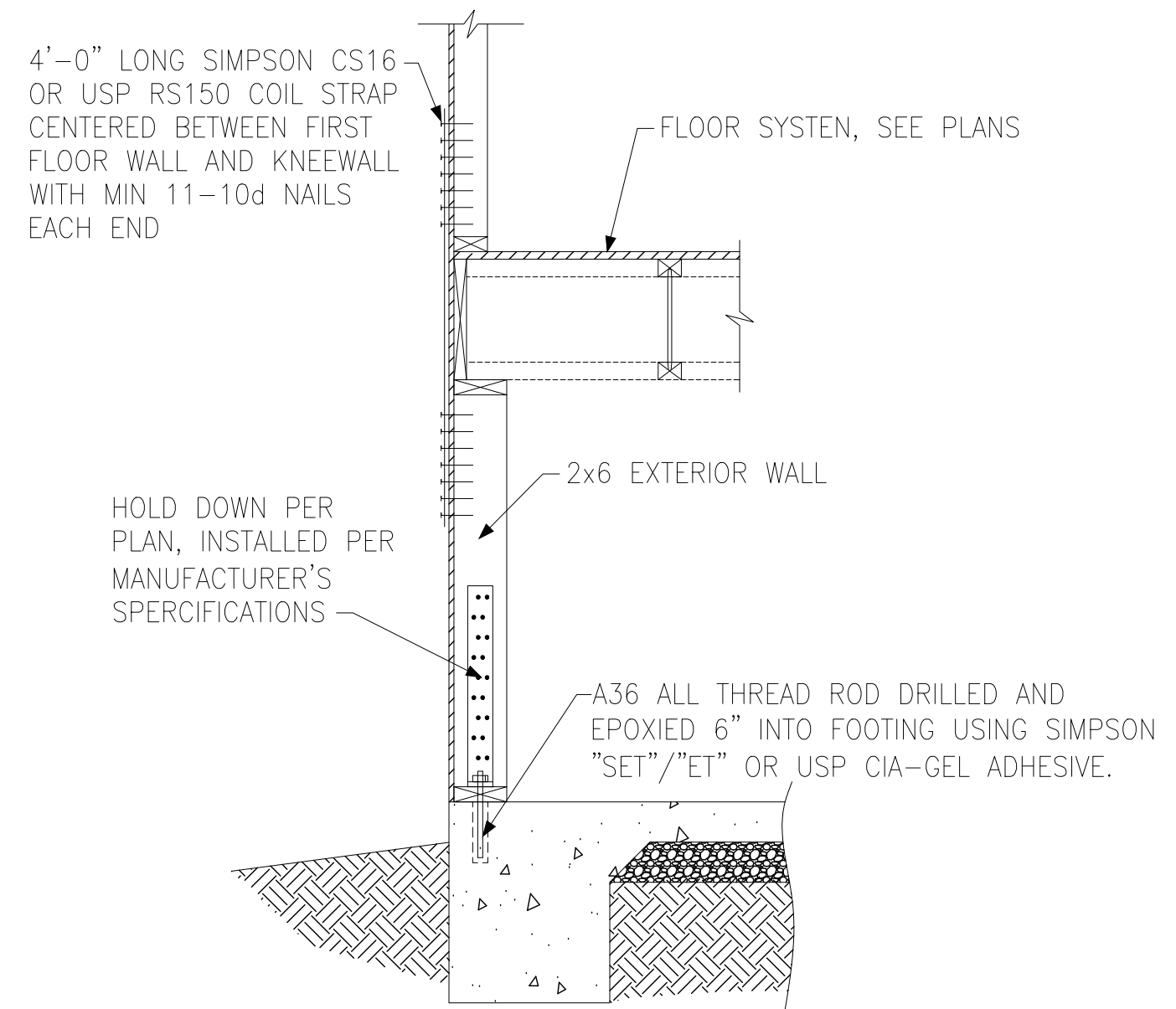
C HOLD DOWN AT STEMWALL SLAB



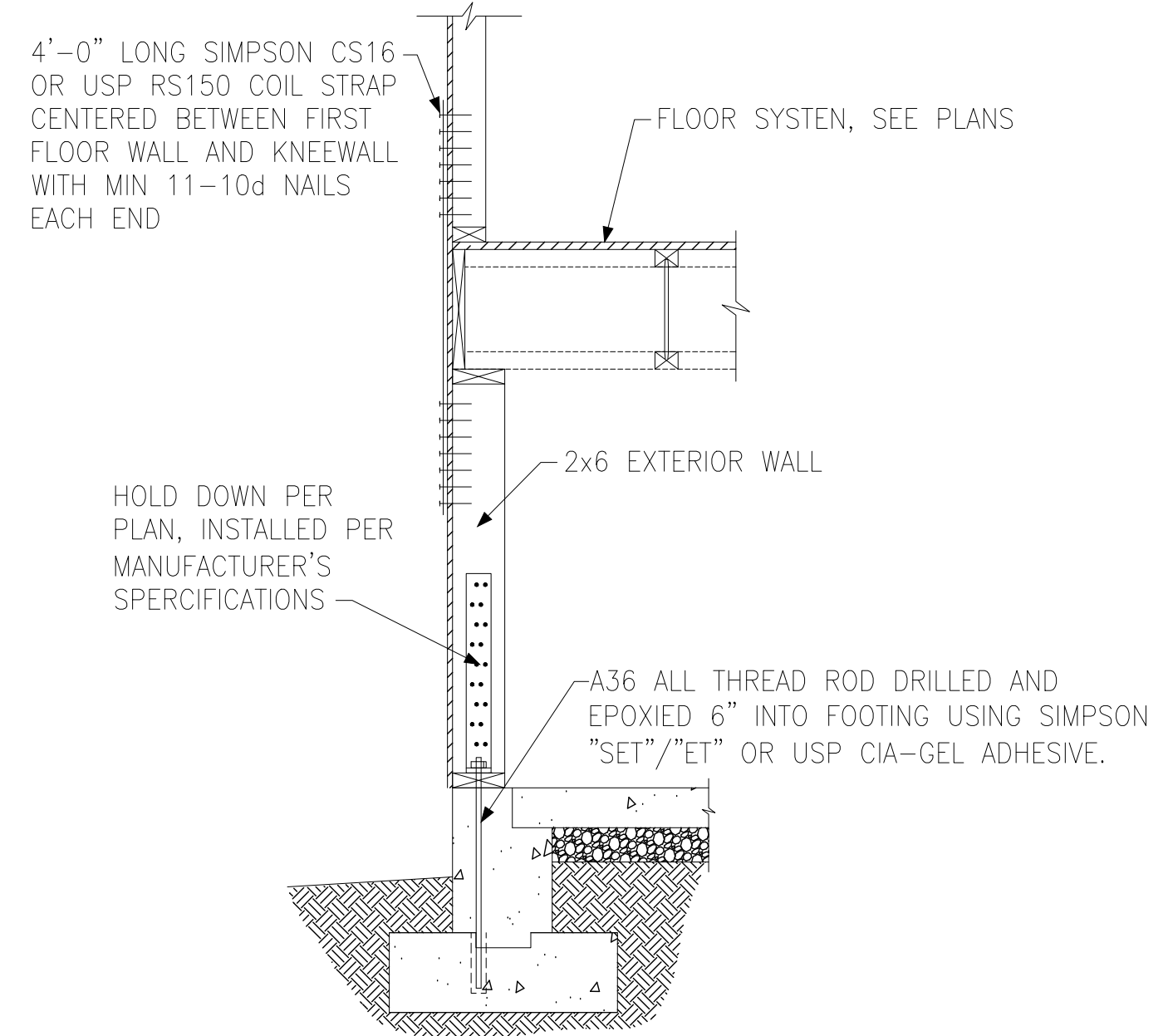
D HOLD DOWN AT MONOLITHIC SLAB



E HOLD DOWN AT CRAWL FOUNDATION



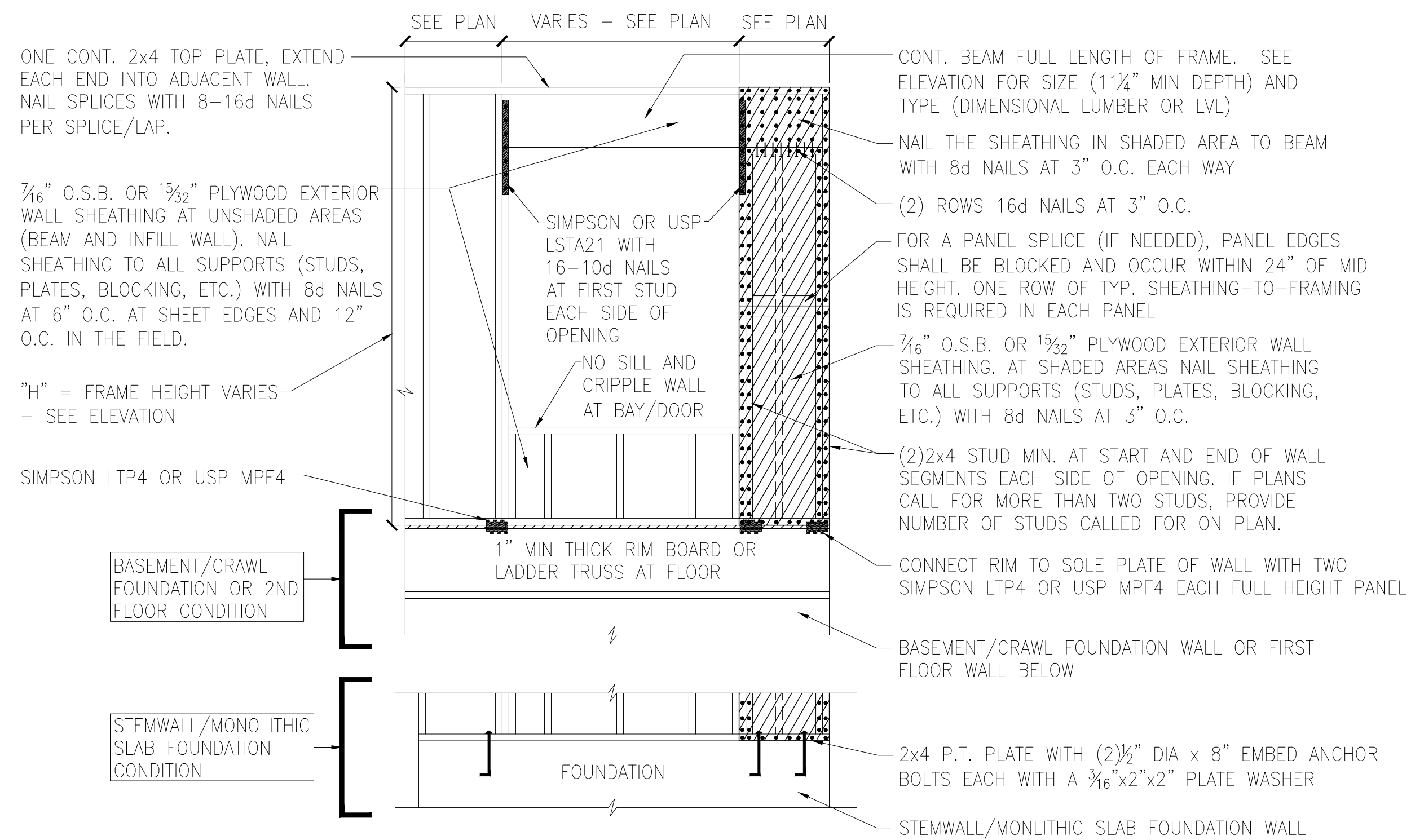
F HOLD DOWN AT BASEMENT MONOLITHIC TURN-DOWN



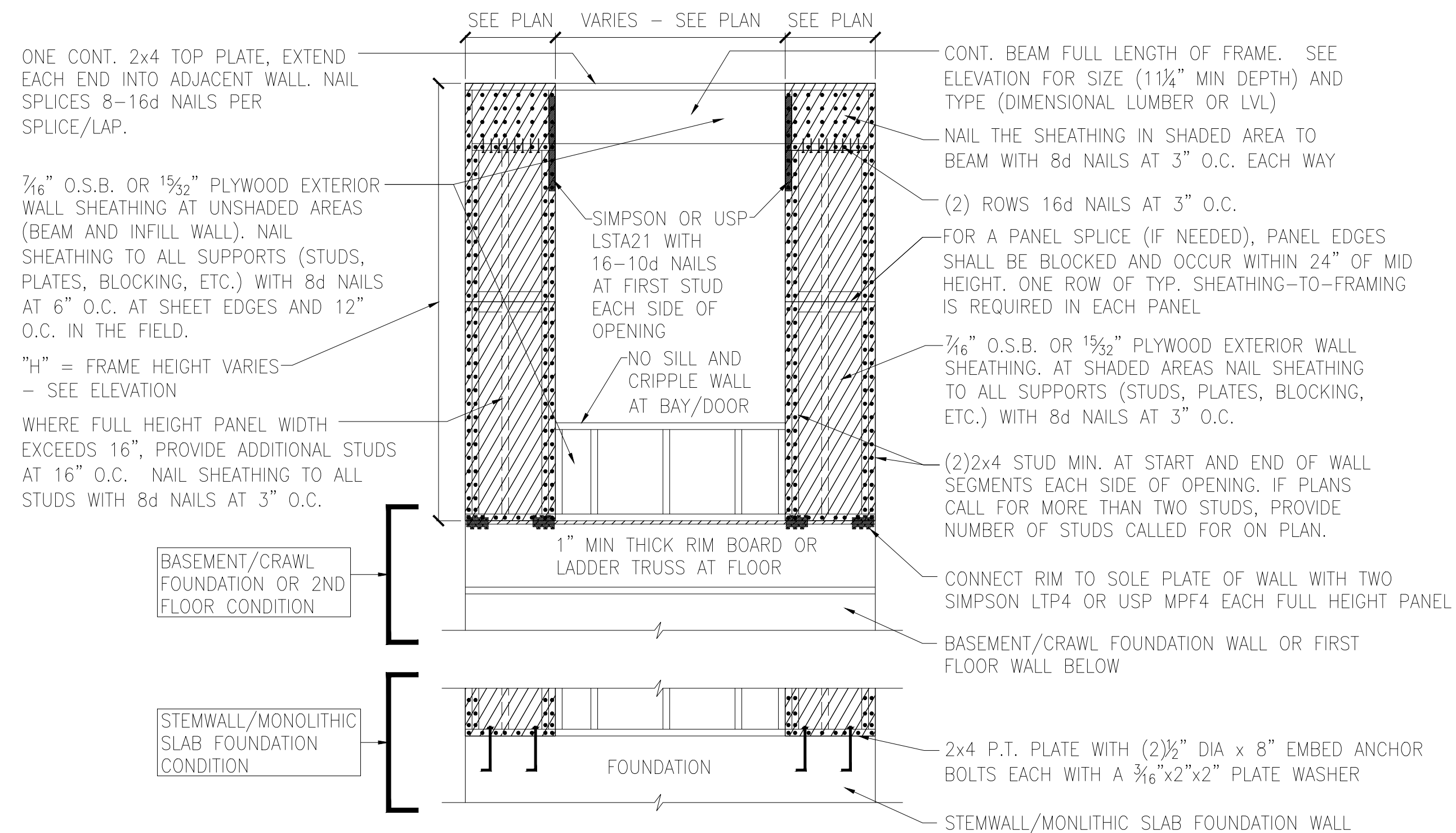
G HOLD DOWN AT BASEMENT STEM WALL

HOLD DOWN SCHEDULE			
HOLD DOWN		ALL TREAD ROD	FASTENERS
SIMPSON	USP		
LTT20B	LTS20B	½" DIA.	(10)10d NAILS
HTT4	HTT16	⅝" DIA.	(18)16dx2½" LONG NAILS
HTT5	HTT45	⅝" DIA.	(26)16dx2½" LONG NAILS

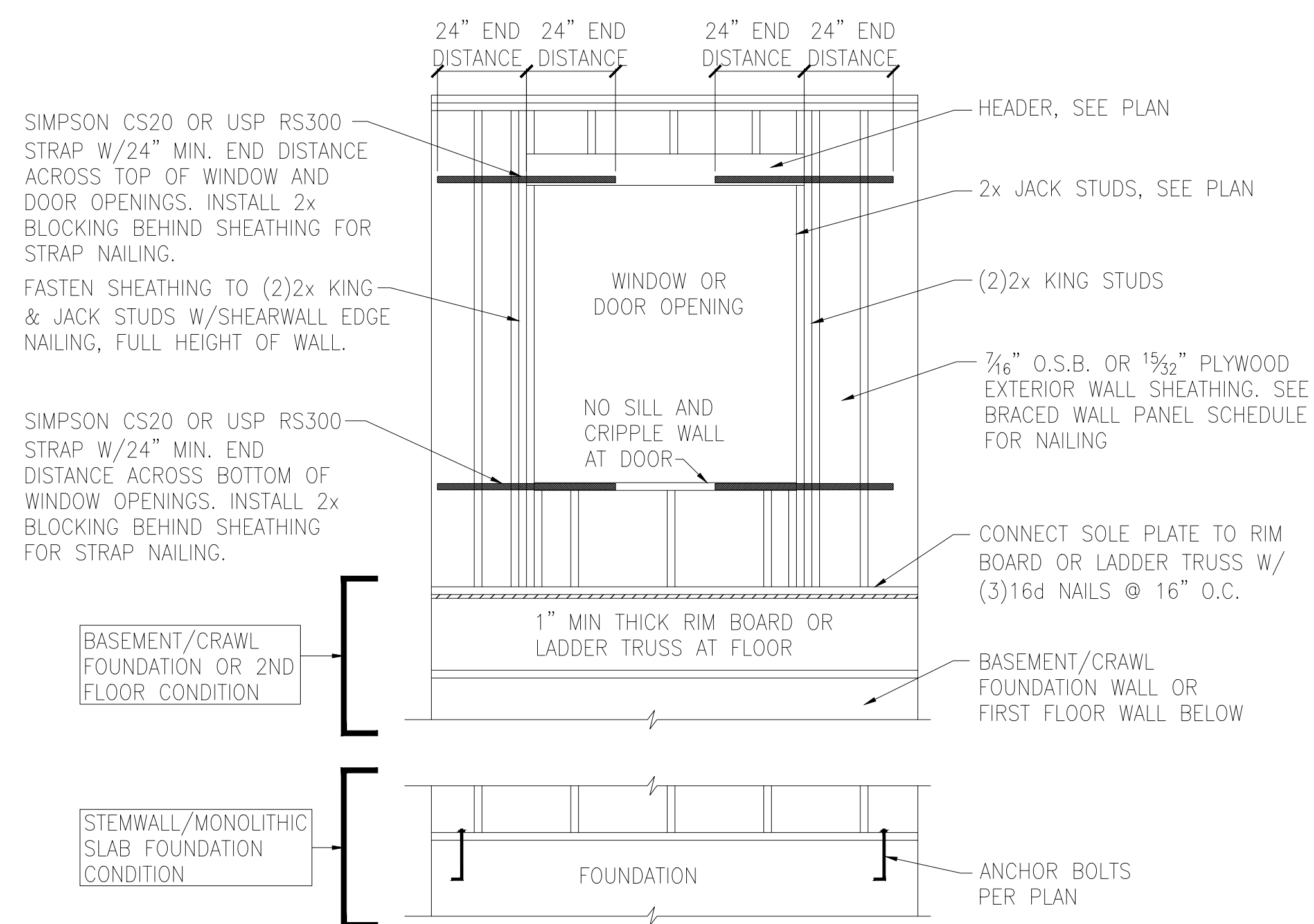




A METHOD CS-PF: CONTINUOUS PORTAL FRAME PANEL CONSTRUCTION
ONE BRACED WALL SEGMENT



B METHOD CS-PF: CONTINUOUS PORTAL FRAME PANEL CONSTRUCTION
TWO BRACED WALL SEGMENTS



C WINDOW OR DOOR REINFORCEMENT IN ENGINEERED SHEAR WALL
ONLY REQUIRED WHERE SPECIFIED ON PLANS

BRACED WALL PANEL AND ENGINEERED SHEAR WALL SCHEDULE			
PANEL TYPES	PANEL TYPE	MATERIAL	FASTENERS
BWP	INTERMITTENT WOOD STRUCTURAL PANEL	7/16" OSB	6D OR 8D COMMON NAILS AT 6" O.C. AT SHEET EDGES AND 12" O.C. AT INTERMEDIATE SUPPORTS. ENGINEERED ALTERNATIVE: 16 GAGE BY 1.75" LONG STAPLES AT 3" O.C. AT SHEET EDGES AND 6" O.C. AT INTERMEDIATE SUPPORTS
GB(1)	INTERMITTENT GYPSUM BOARD (SHEATHING ONE FACE OF WALL)	1/2" GYPSUM	1.5" LONG GALV. ROOFING NAILS, 6d COMMON NAILS, OR 1.25" LONG TYPE W DRYWALL SCREWS AT 7" O.C. AT SHEET EDGES AND INTERMEDIATE SUPPORTS.
GB(1)-4	INTERMITTENT GYPSUM BOARD (SHEATHING ONE FACE OF WALL)	1/2" GYPSUM	1.5" LONG GALV. ROOFING NAILS, 6d COMMON NAILS, OR 1.25" LONG TYPE W DRYWALL SCREWS AT 4" O.C. AT SHEET EDGES AND INTERMEDIATE SUPPORTS.
GB(2)	INTERMITTENT GYPSUM BOARD (SHEATHING BOTH FACES OF WALL)	1/2" GYPSUM	1.5" LONG GALV. ROOFING NAILS, 6d COMMON NAILS, OR 1.25" LONG TYPE W DRYWALL SCREWS AT 7" O.C. AT SHEET EDGES AND INTERMEDIATE SUPPORTS.
CS-BWP	CONTINUOUS SHEATHED WOOD STRUCTURAL PANEL	7/16" OSB	6D OR 8D COMMON NAILS AT 6" O.C. AT SHEET EDGES AND 12" O.C. AT INTERMEDIATE SUPPORTS. ENGINEERED ALTERNATIVE: 16 GAGE BY 1.75" LONG STAPLES AT 3" O.C. AT SHEET EDGES AND 6" O.C. AT INTERMEDIATE SUPPORTS
CS-PF	CONTINUOUS SHEATHED PORTAL FRAME	7/16" OSB	NAILING PER DETAIL
CS-EPF	PORTAL FRAME WITH HOLD DOWNS	7/16" OSB	NAILING PER DETAIL
CS-ESW(1)	ENGINEERED SHEAR WALL, TYPE 1	7/16" OSB	8D COMMON NAILS AT 6" O.C. AT SHEET EDGES AND 12" O.C. AT INTERMEDIATE SUPPORTS. CONTINUOUS OSB AROUND DOOR/WINDOW OPENINGS
CS-ESW(2)	ENGINEERED SHEAR WALL, TYPE 2	7/16" OSB	8D COMMON NAILS AT 4" O.C. AT SHEET EDGES AND 12" O.C. AT INTERMEDIATE SUPPORTS. CONTINUOUS OSB AROUND DOOR/WINDOW OPENINGS
CS-ESW(3)	ENGINEERED SHEAR WALL, TYPE 3	7/16" OSB	8D COMMON NAILS AT 3" O.C. AT SHEET EDGES AND 12" O.C. AT INTERMEDIATE SUPPORTS. CONTINUOUS OSB AROUND DOOR/WINDOW OPENINGS

BRACED WALL PANEL NOTES:

- ALL BRACED WALL PANELS, EXCEPT GB(1) & GB(2), SHALL HAVE 2x BLOCKING BETWEEN WALL STUDS AT ALL HORIZONTAL SHEET EDGES.
- PROVIDE NAILING/BLOCKING ABOVE AND BELOW ALL BRACED WALL PANELS PER KSE BRACED WALL DETAILS.
- SHEATH ALL EXTERIOR WALLS OF THE HOUSE WITH 7/16" O.S.B., OR 1/2" PLYWOOD, FASTENED PER IRC. AT EXTERIOR CORNERS, SHEATHING SHALL BE FASTENED PER KSE BRACED WALL DETAILS. AT INTERIOR WALL INTERSECTIONS, FASTEN STUDS & WALL BRACING PER KSE BRACED WALL DETAILS.
- BRACED WALL PANELS AND ENGINEERED SHEAR WALLS ARE PROVIDED PER IRC. PANEL LENGTHS SHOWN ON PLANS ARE THE MINIMUM LENGTH REQUIRED.

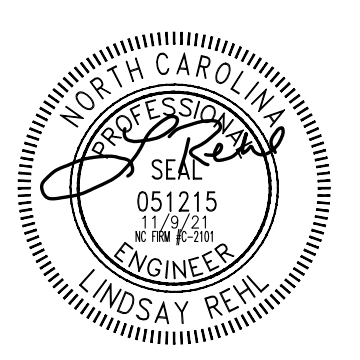
KSE ENGINEERING
1900 AM DRIVE, SUITE 201, QUAKERTOWN, PA 18951
www.kse-eng.com
(215) 804-4449

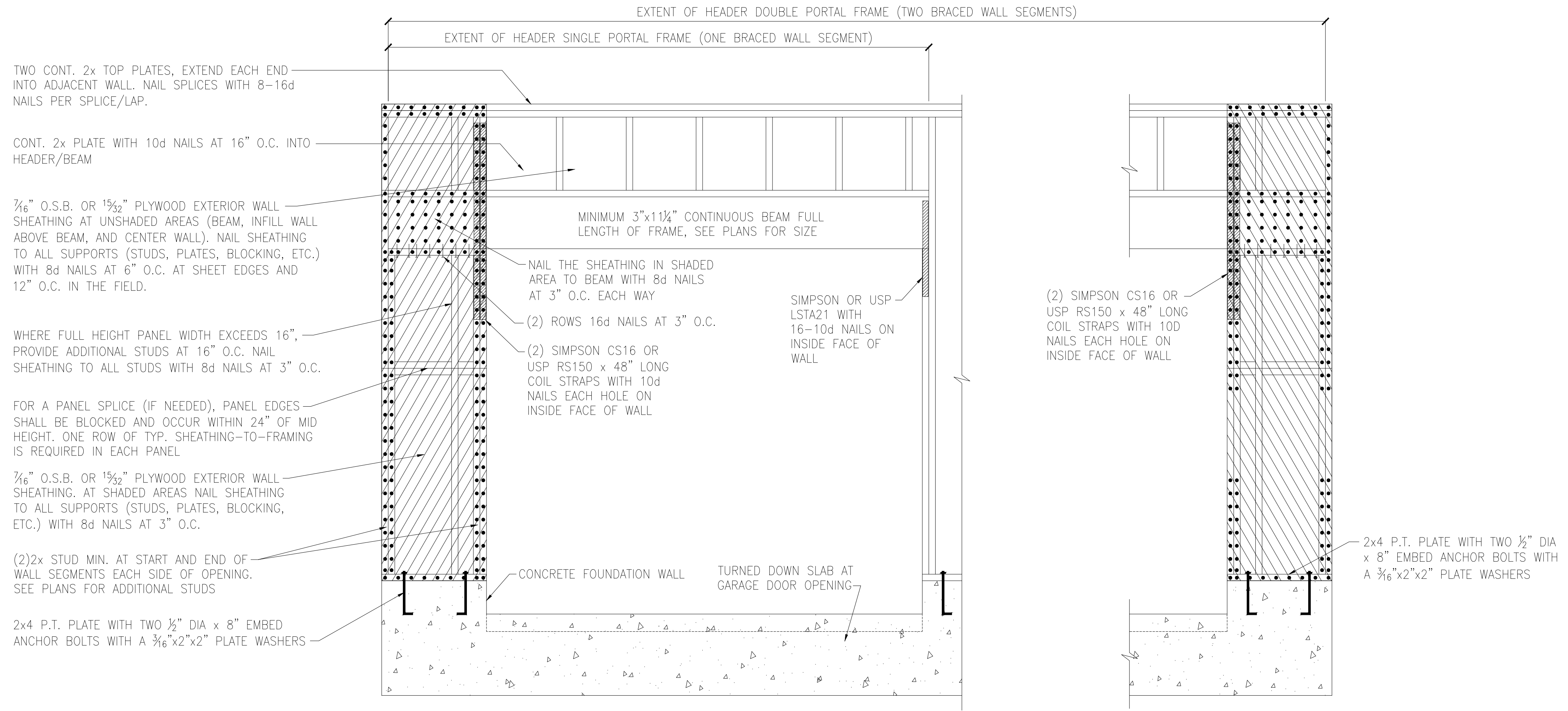
POP HOMES
MAKING LIFE BETTER
MYPOPHOMES.COM

Braced Wall Notes & Details

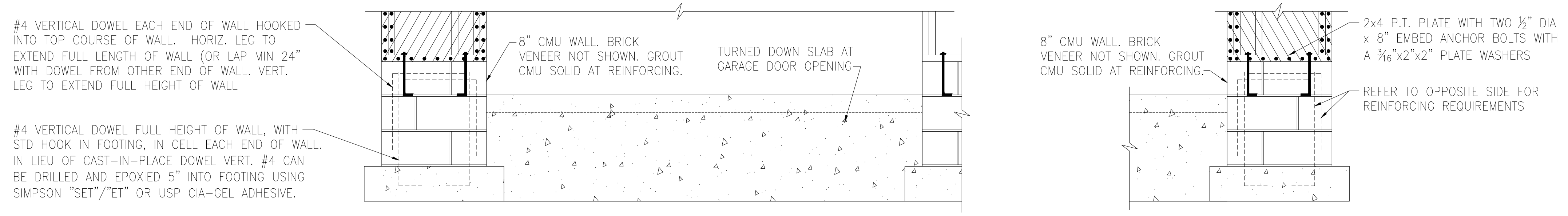
Project #: 170-19001
Designed By: JPS
Checked By:
Issue Date: 6/27/19
Re-Issue: 11/9/21
Scale: 1/8"=1'-0" @ 11x17
1/4"=1'-0" @ 22x34

1508 - RH
115 M.P.H.
North Carolina

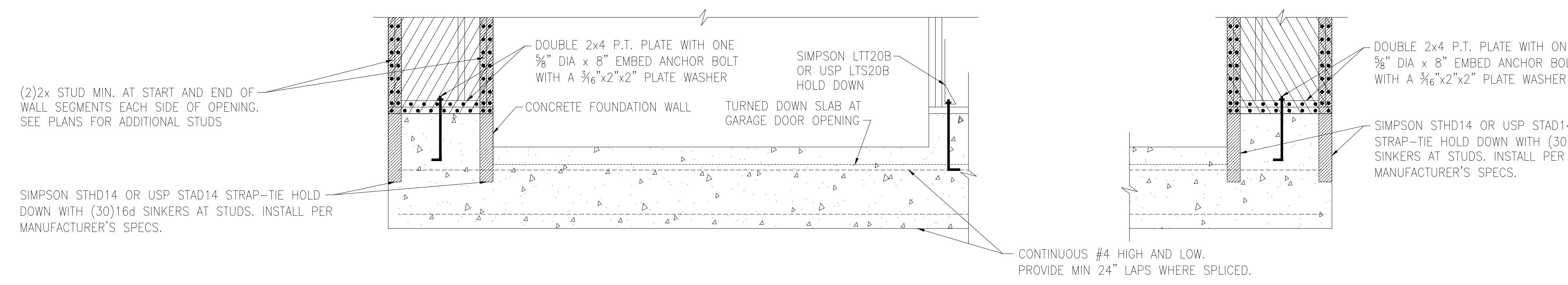




(A) METHOD CS-PF: CONTINUOUS PORTAL FRAME PANEL CONSTRUCTION
MONOLITHIC SLAB OR BASEMENT FOUNDATION

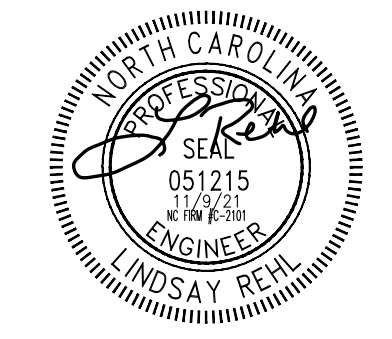


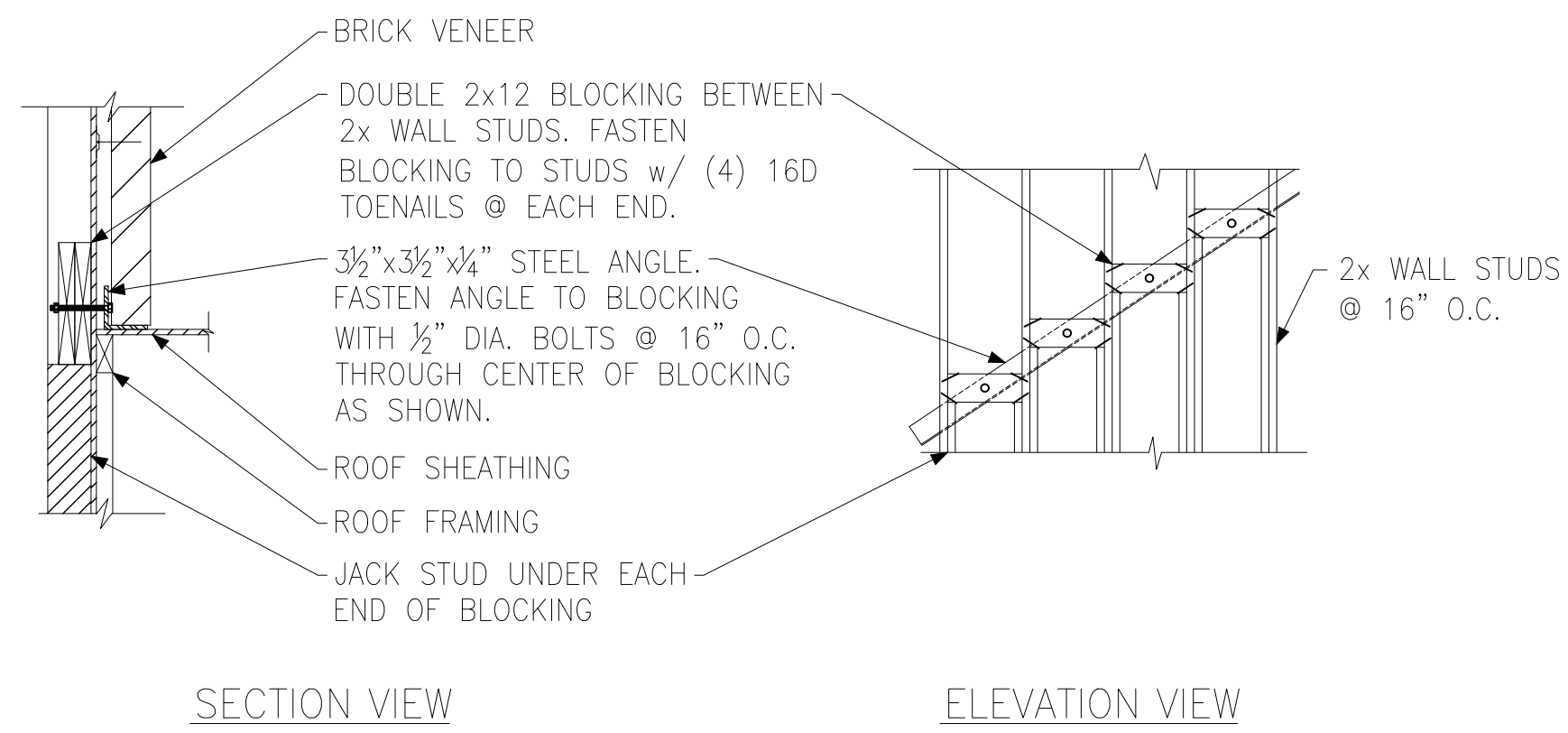
(B) METHOD CS-PF: CONTINUOUS PORTAL FRAME PANEL CONSTRUCTION
STEM WALL SLAB OR CRAWL SPACE FOUNDATION



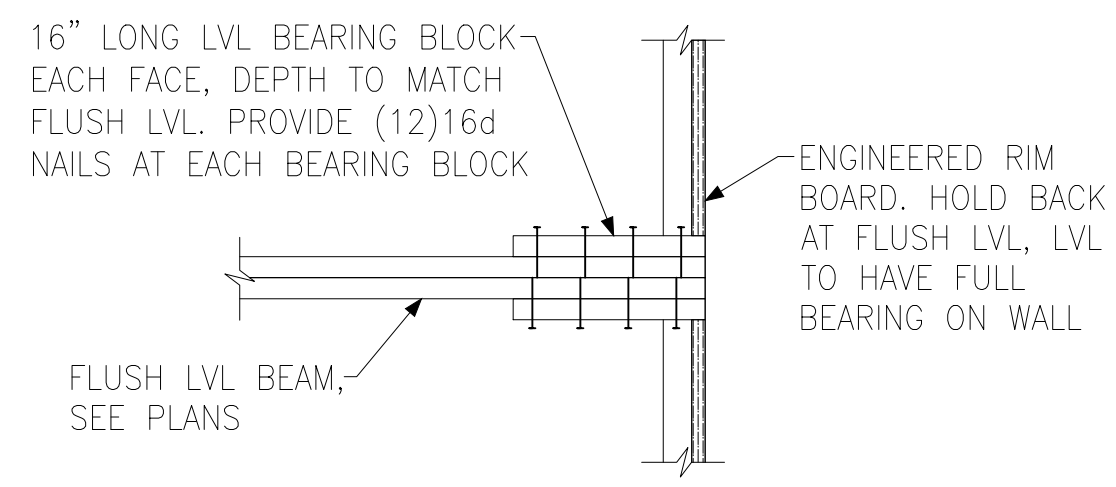
(C) METHOD CS-EPF: ENGINEERED PORTAL FRAME WITH HOLD-DOWNS

CONTINUOUS #4 HIGH AND LOW. PROVIDE MIN 24" LAPS WHERE SPLICED.

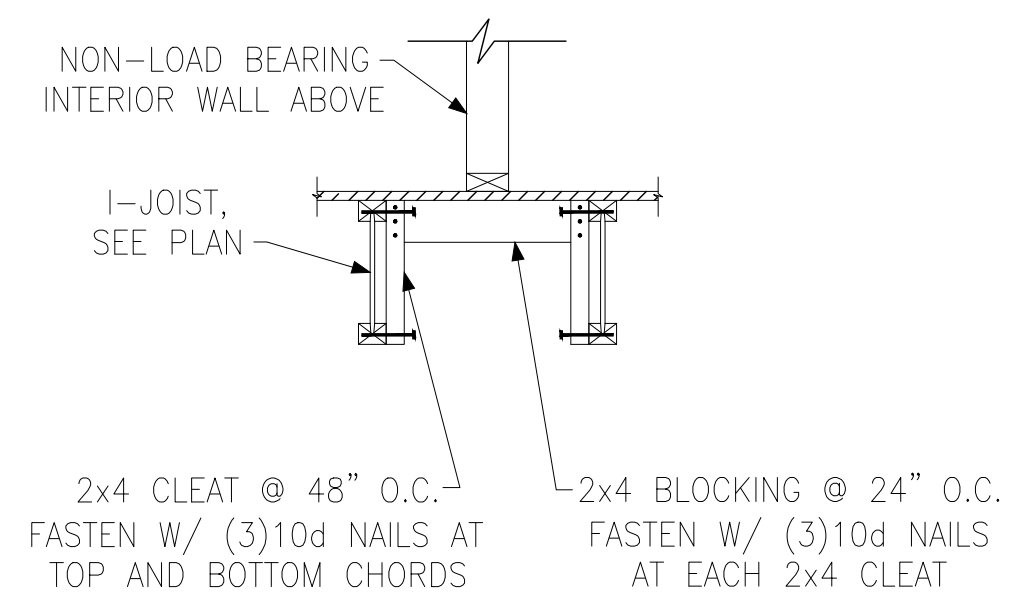




A BRICK LEDGER CONNECTION DETAIL

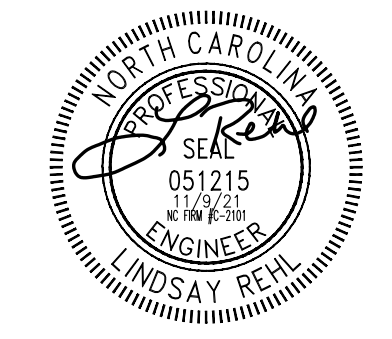


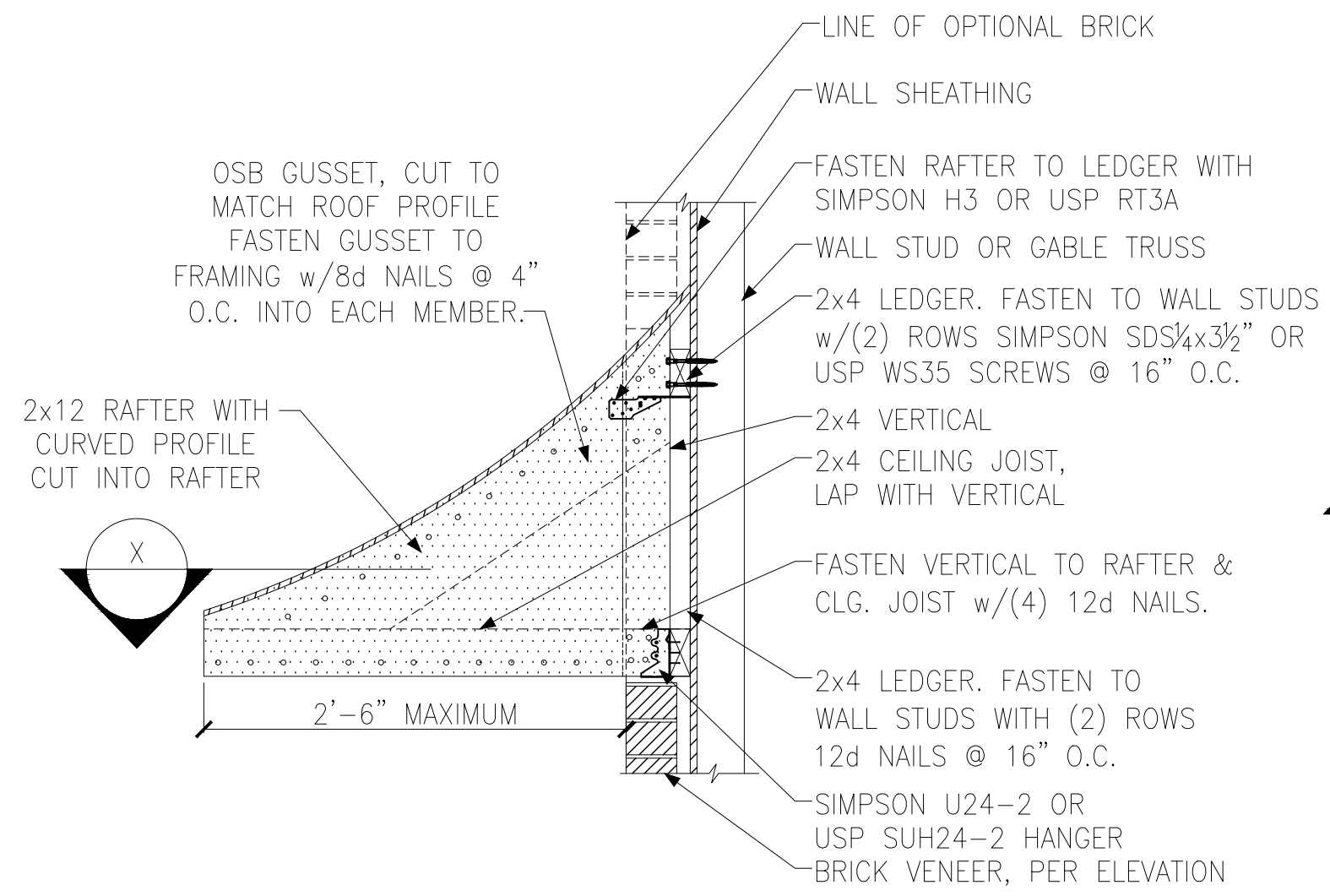
B BEARING ENHANCER FLUSH LVL



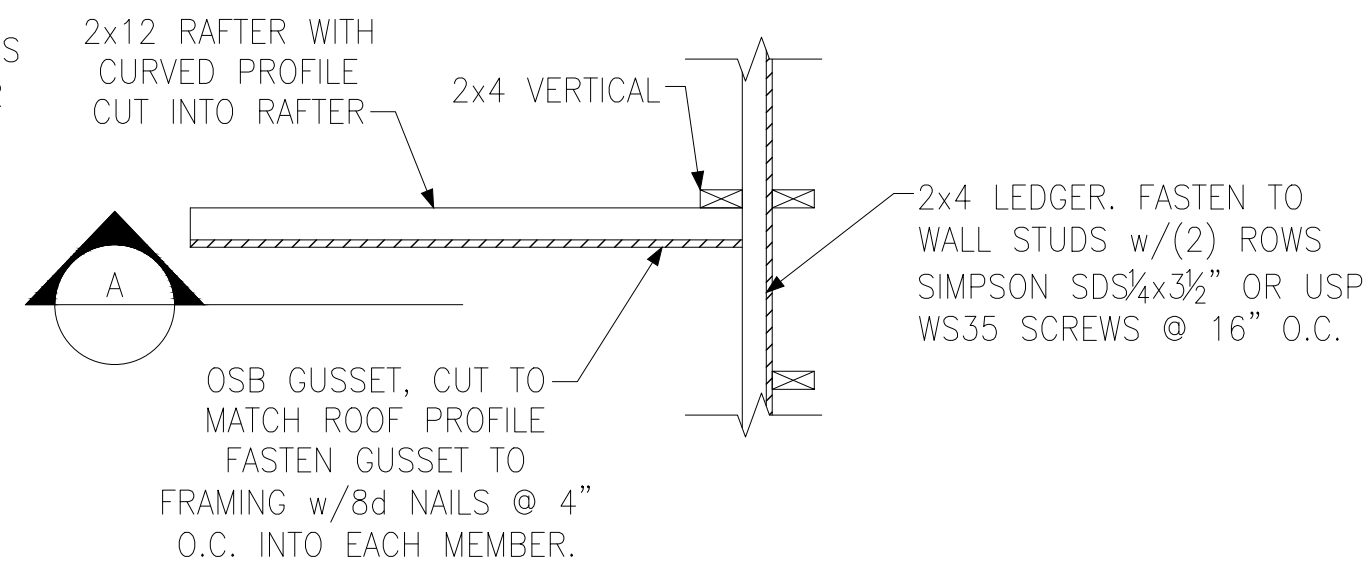
C I-JOIST LADDER BLOCKING AS REQUIRED @ PARALLEL WALLS

WALL STUD SIZE, HEIGHT & SPACING SCHEDULE						
STUD SIZE	BEARING WALLS				NONBEARING WALLS	
	LATERALLY UNSUPPORTED STUD HEIGHT	MAXIMUM SPACING WHEN SUPPORTING A ROOF-CEILING ASSEMBLY OR A HABITABLE ATTIC ASSEMBLY, ONLY	MAXIMUM SPACING WHEN SUPPORTING ONE FLOOR, PLUS A ROOF-CEILING ASSEMBLY OR A HABITABLE ATTIC ASSEMBLY	MAXIMUM SPACING WHEN SUPPORTING TWO FLOORS, PLUS A ROOF-CEILING ASSEMBLY OR A HABITABLE ATTIC ASSEMBLY	LATERALLY UNSUPPORTED STUD HEIGHT	MAXIMUM SPACING
2x4	10'-0"	24"	16"	-	14'-0"	24"
2x6	10'-0"	24"	24"	16"	20'-0"	24"

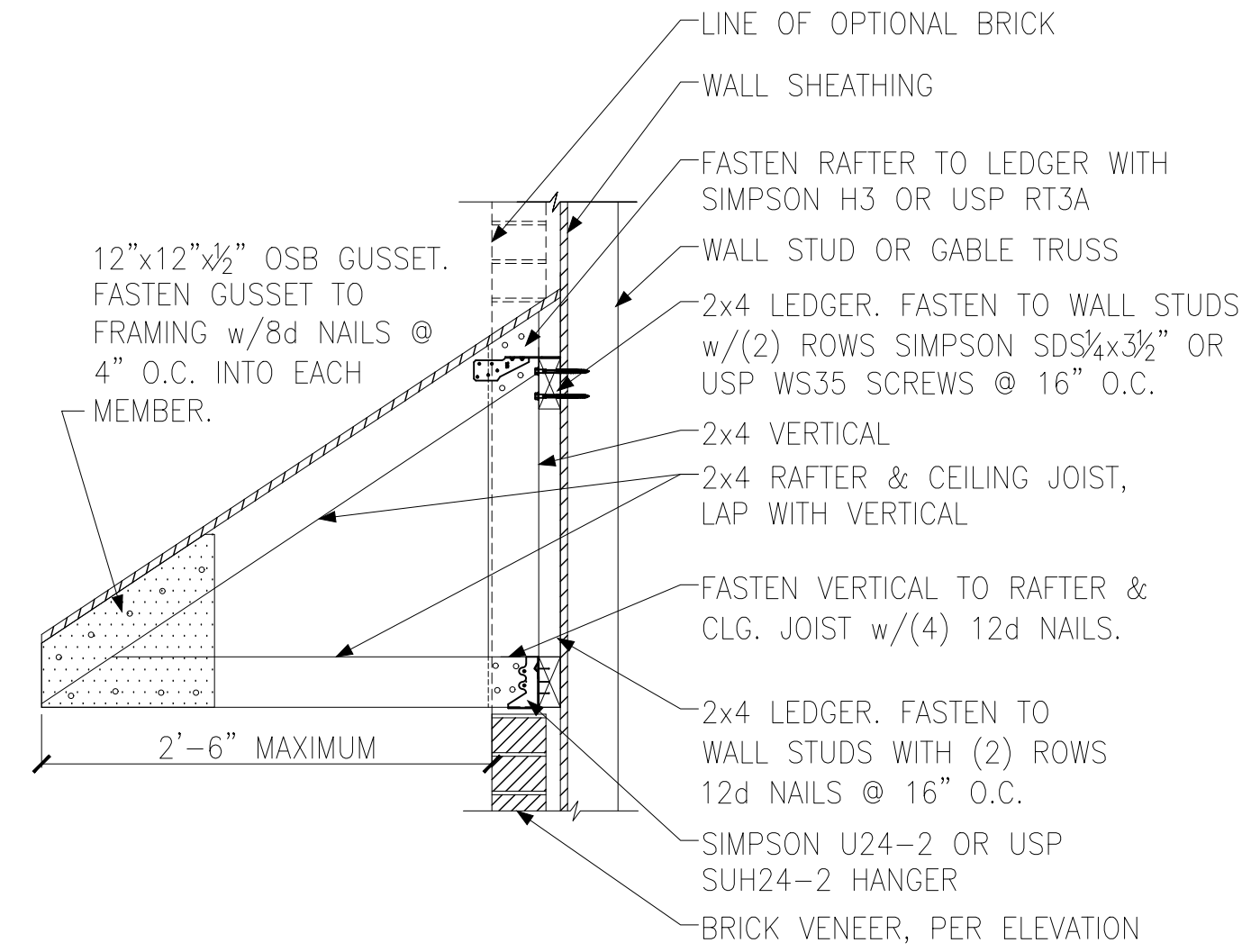




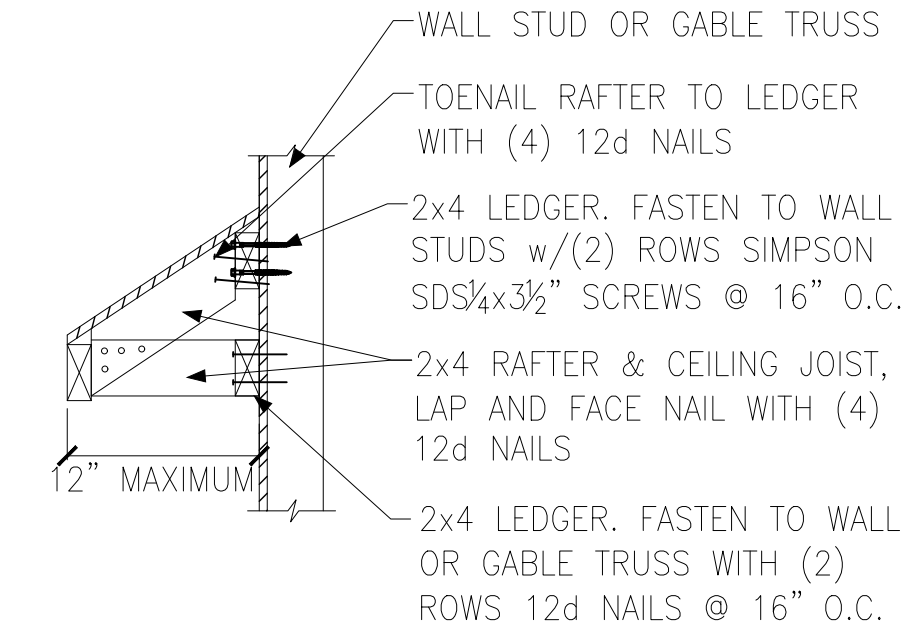
A PENT ROOF DETAIL
CURVED ROOF



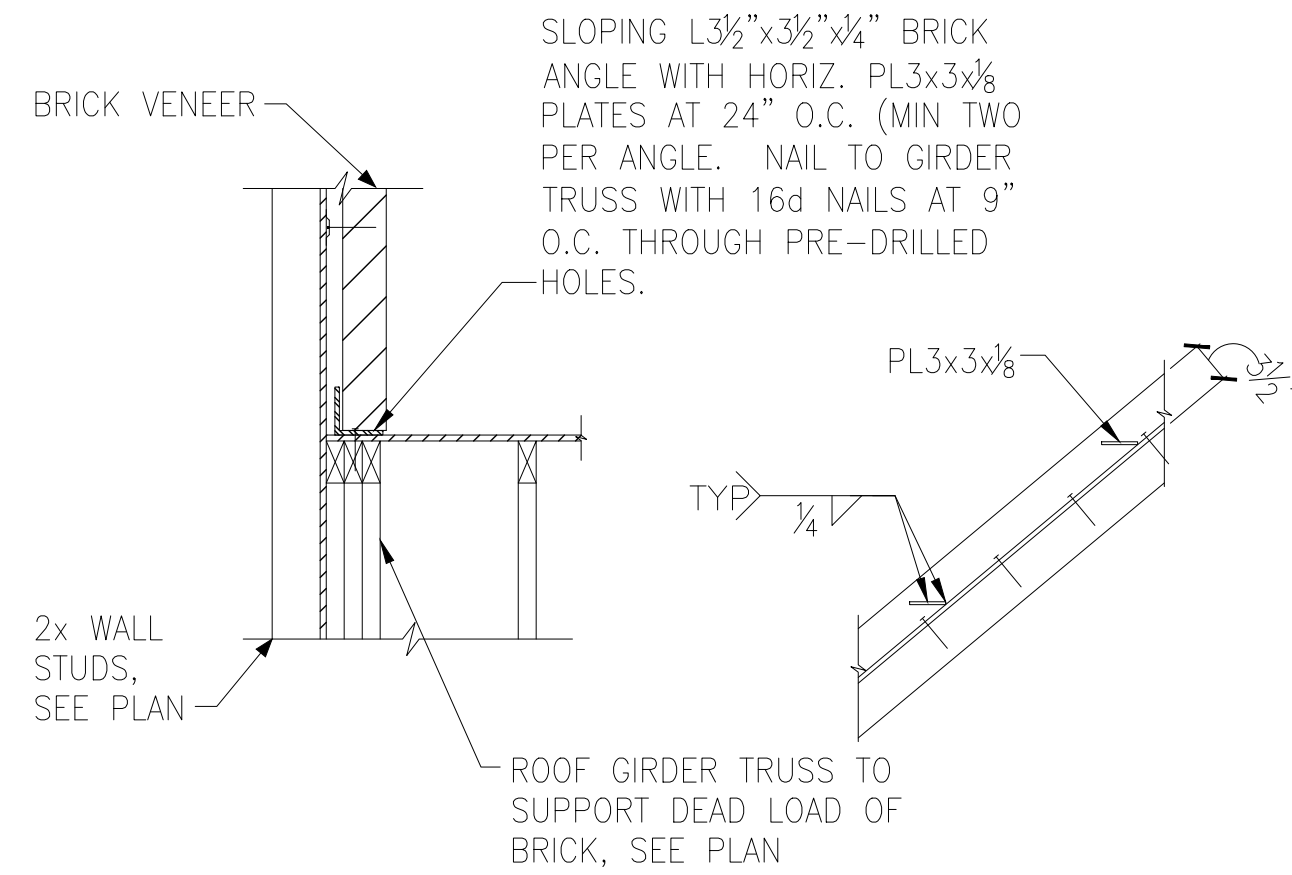
X SECTION
CURVED ROOF



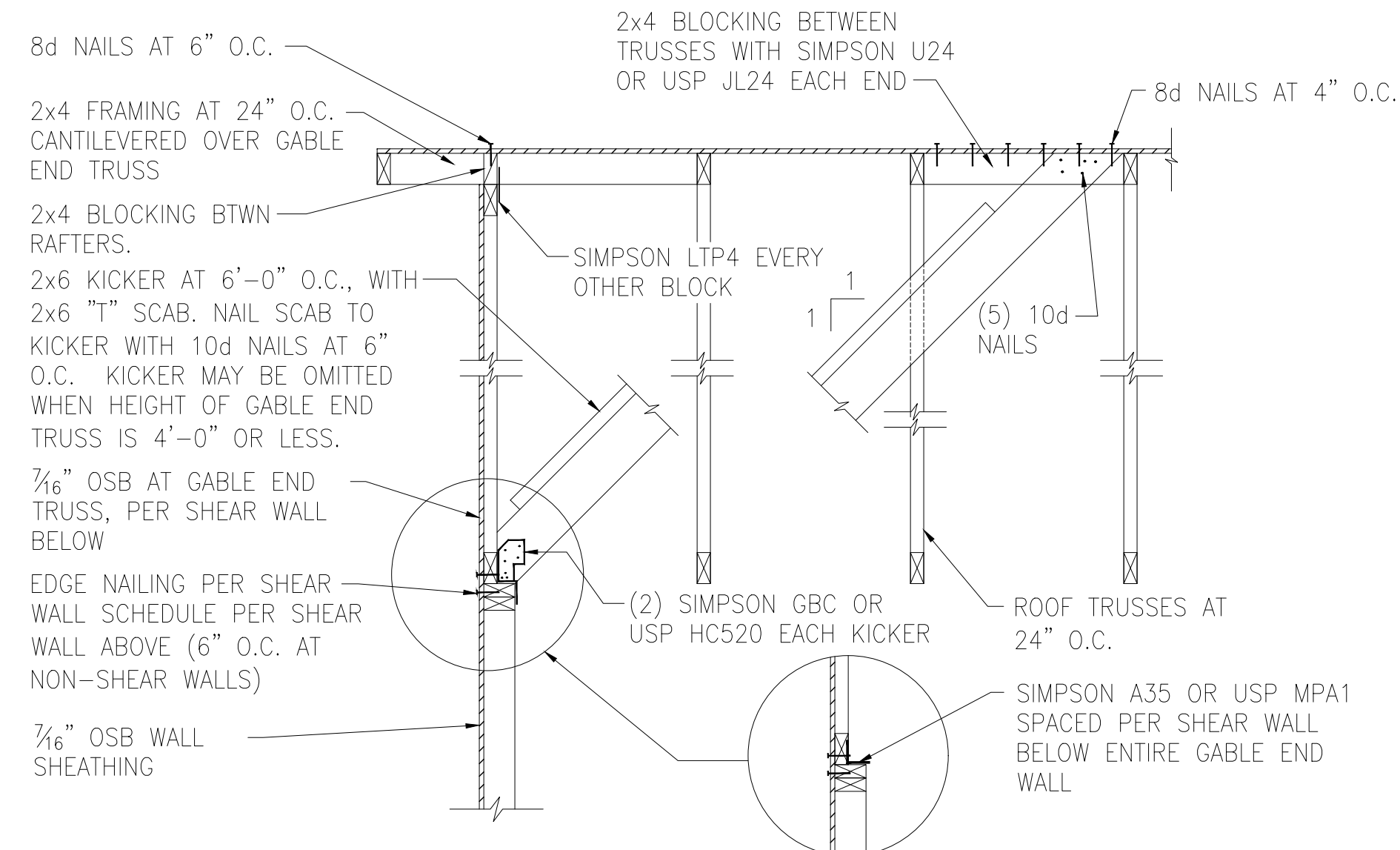
B PENT ROOF DETAIL
STRAIGHT ROOF



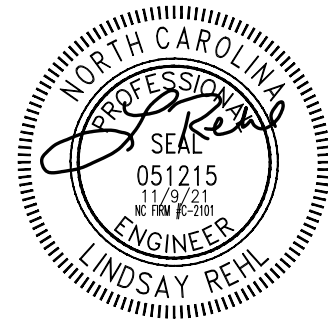
C EYEBROW ROOF DETAIL
STRAIGHT ROOF

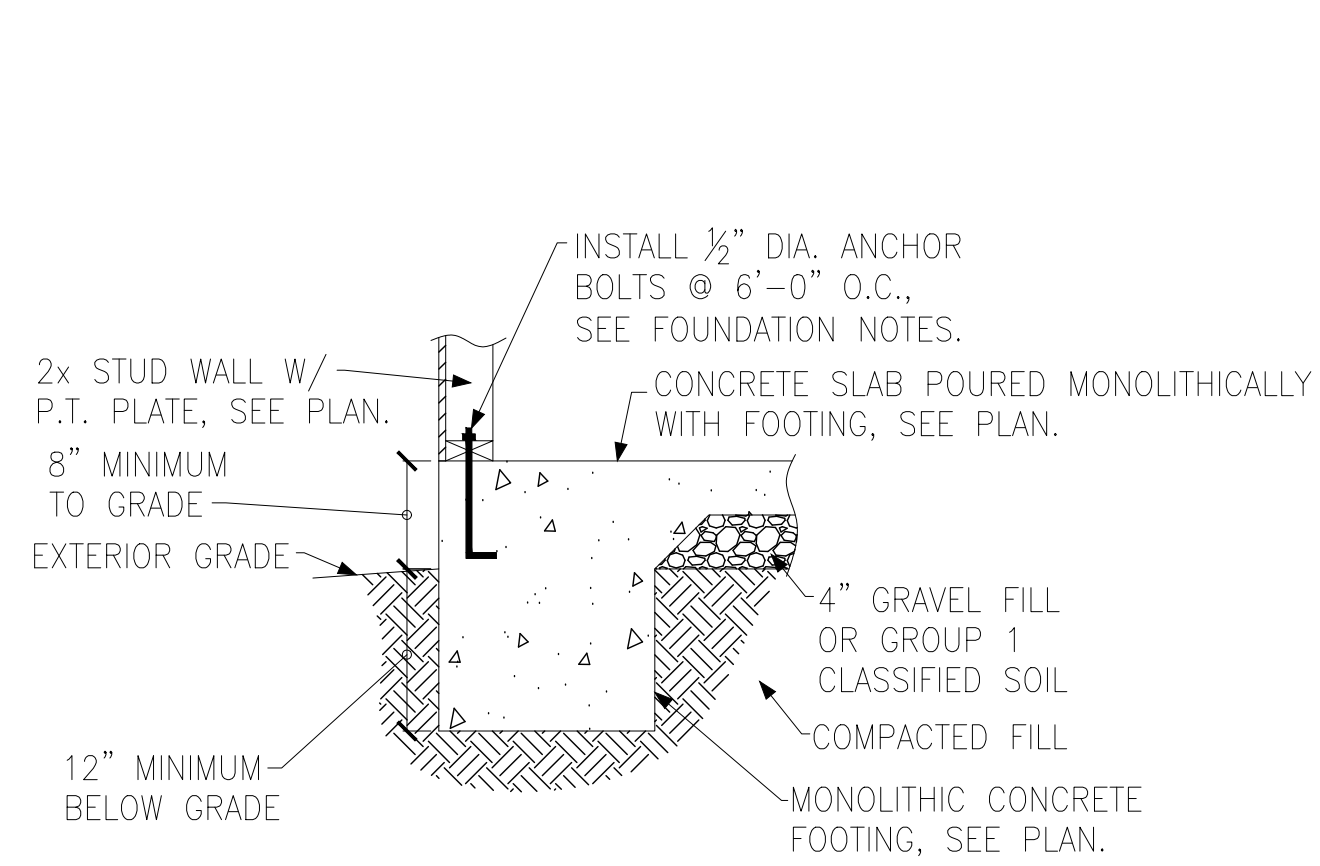


D TRUSS DETAIL

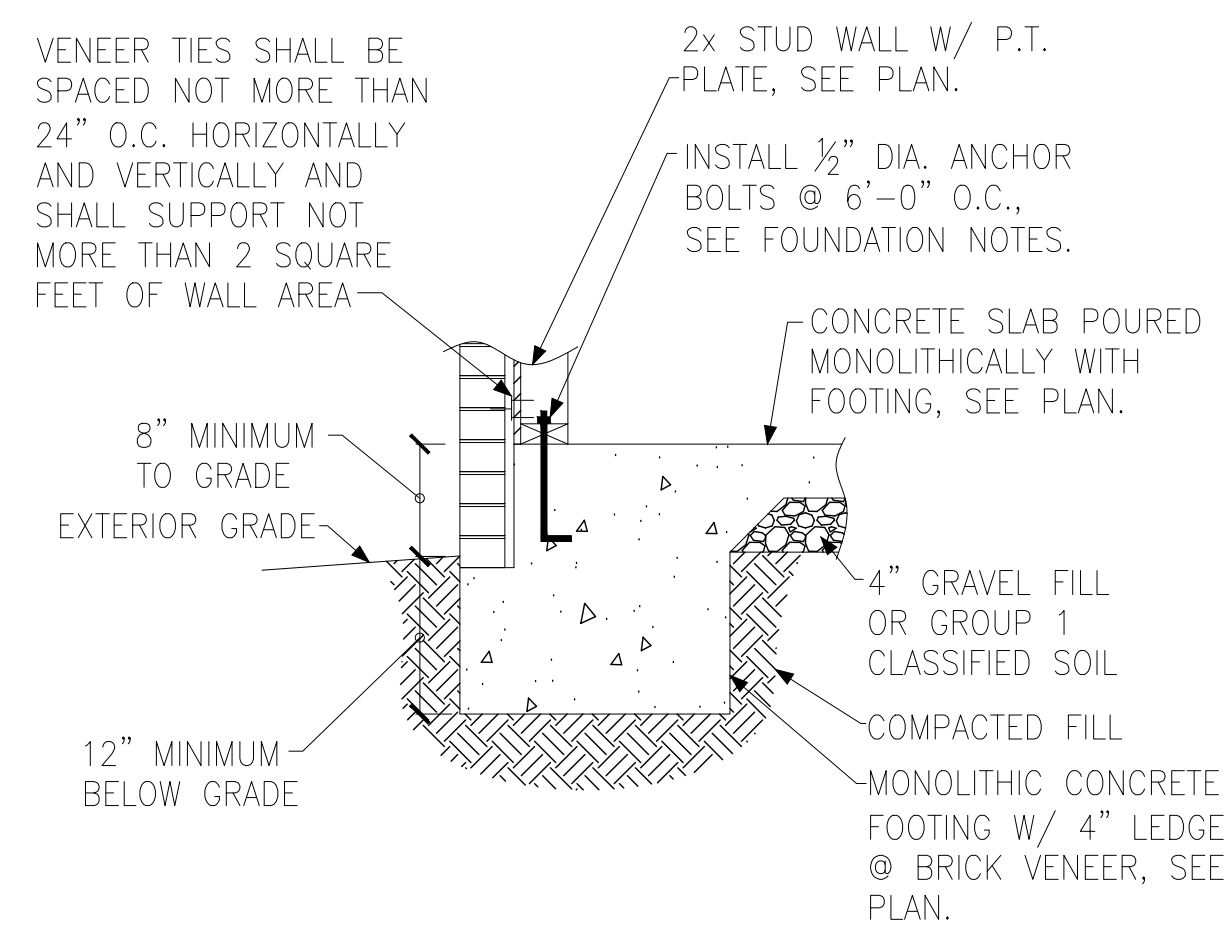


E GABLE END WALL DETAIL

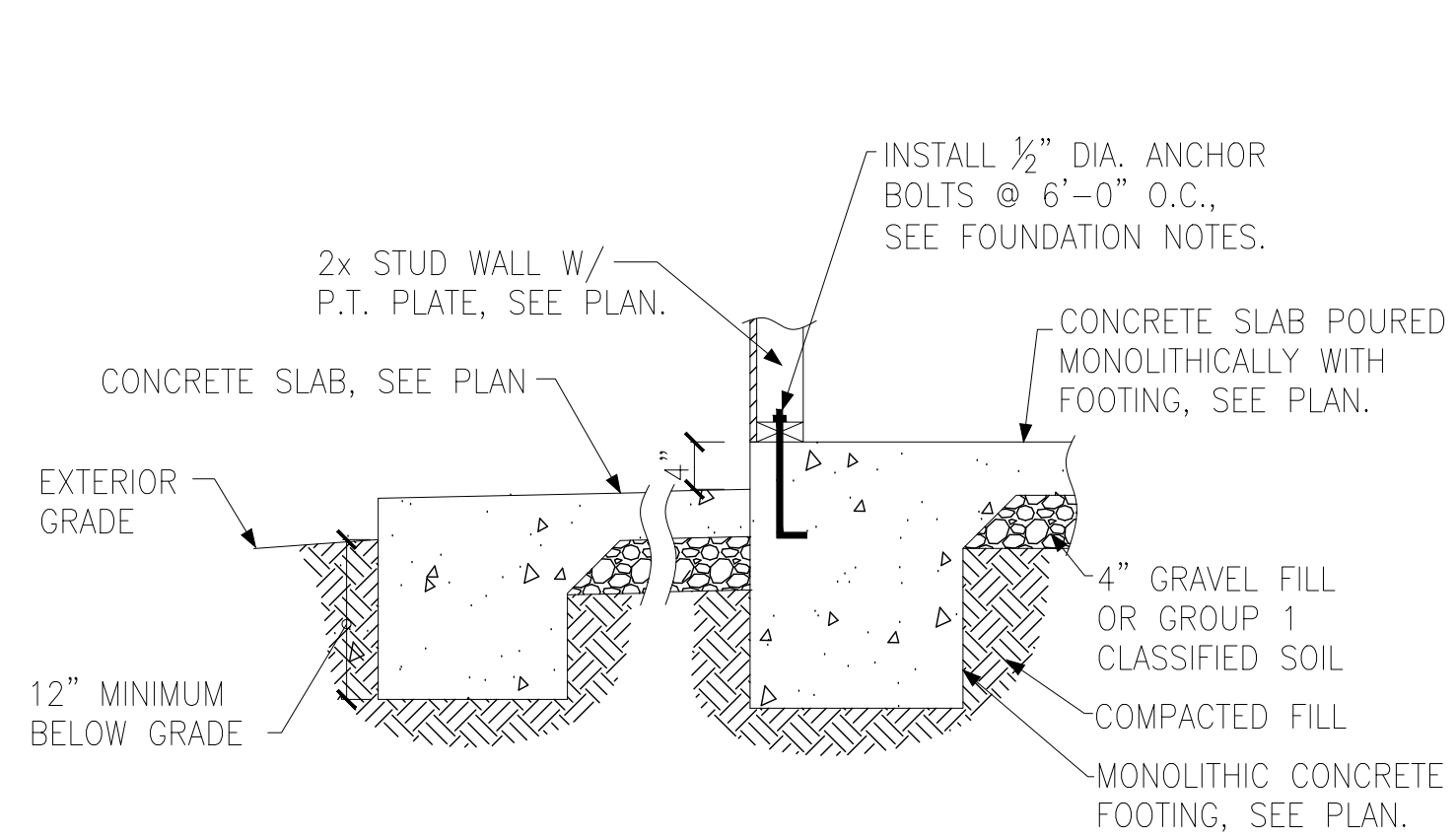




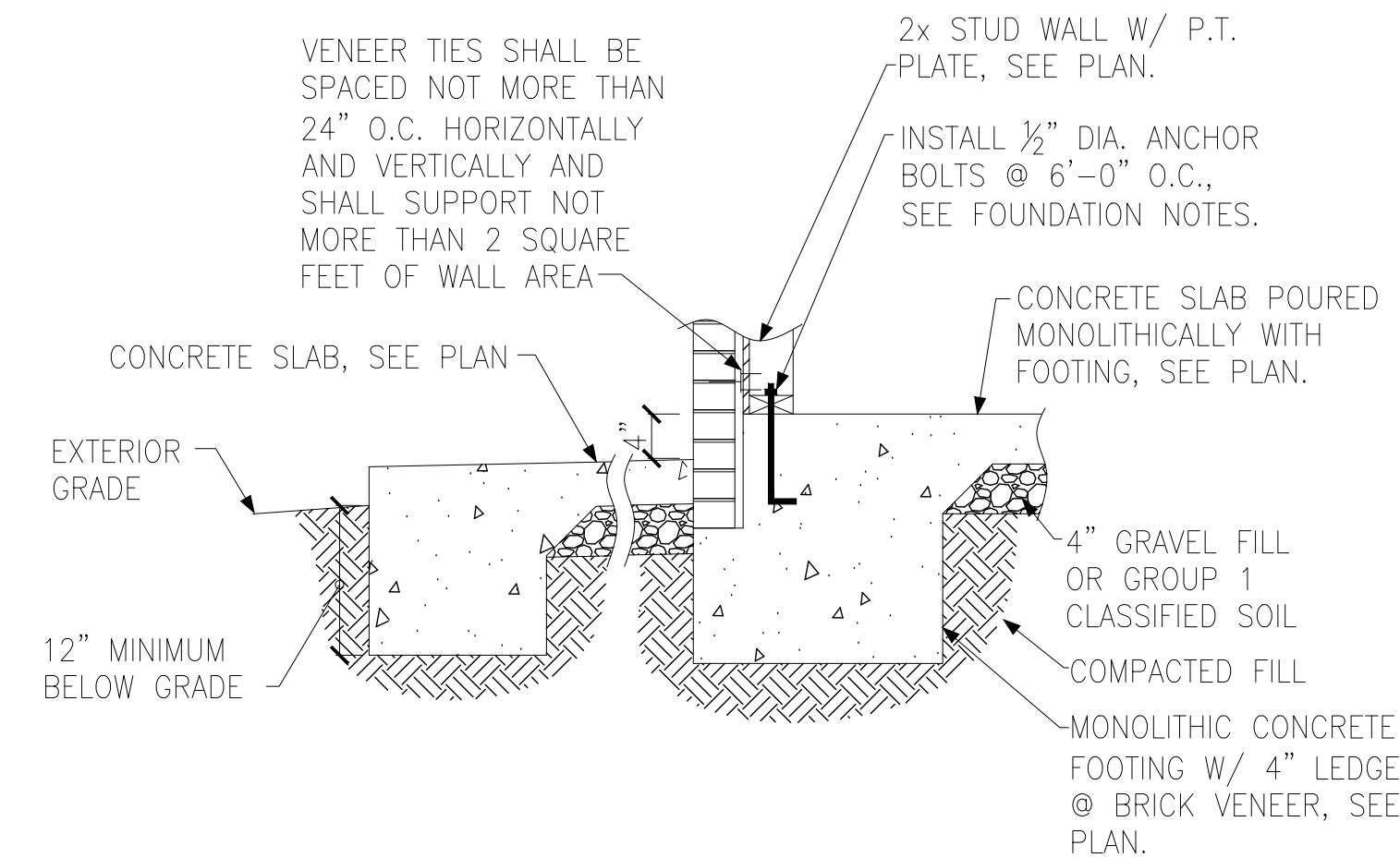
A FOUNDATION SECTION
EXTERIOR WALL



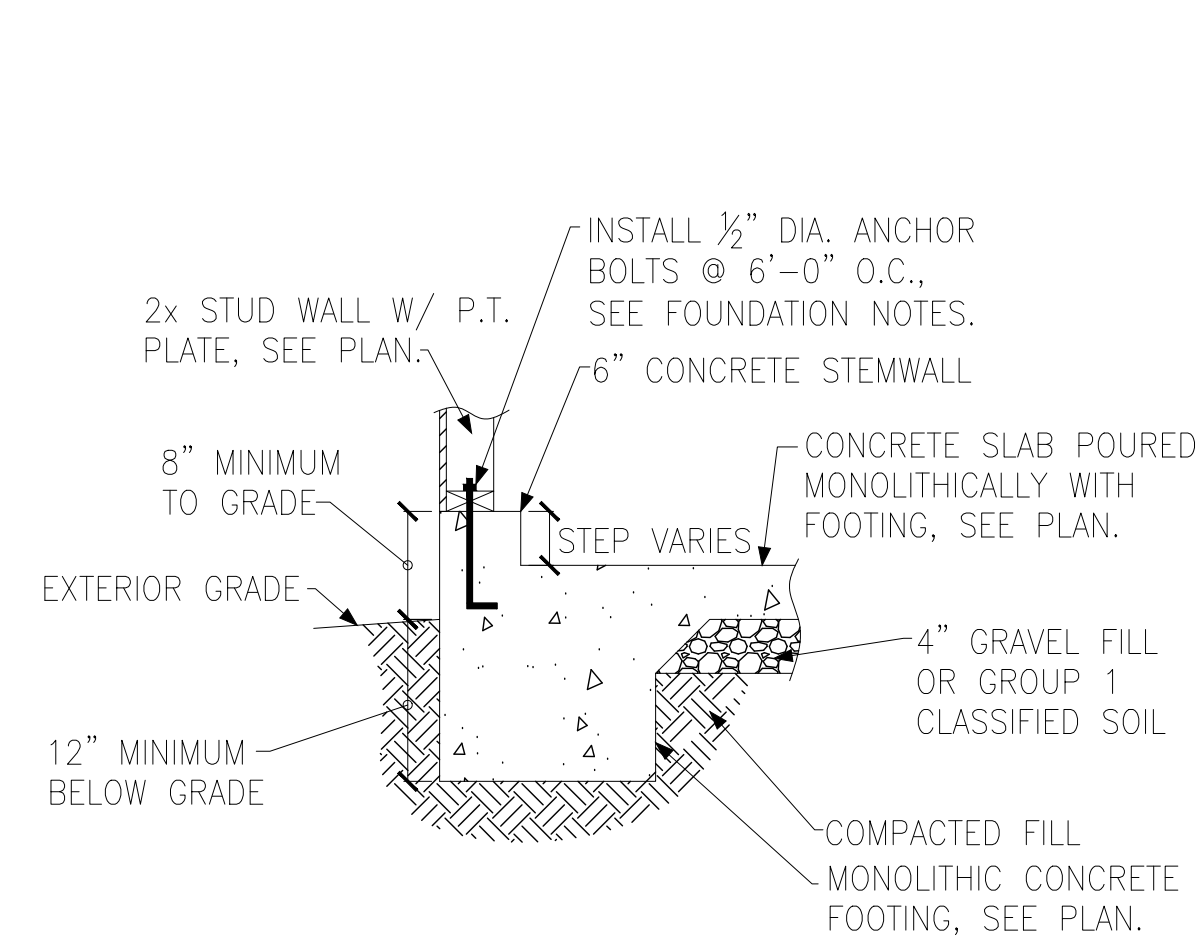
B FOUNDATION SECTION
EXTERIOR WALL @ BRICK VENEER



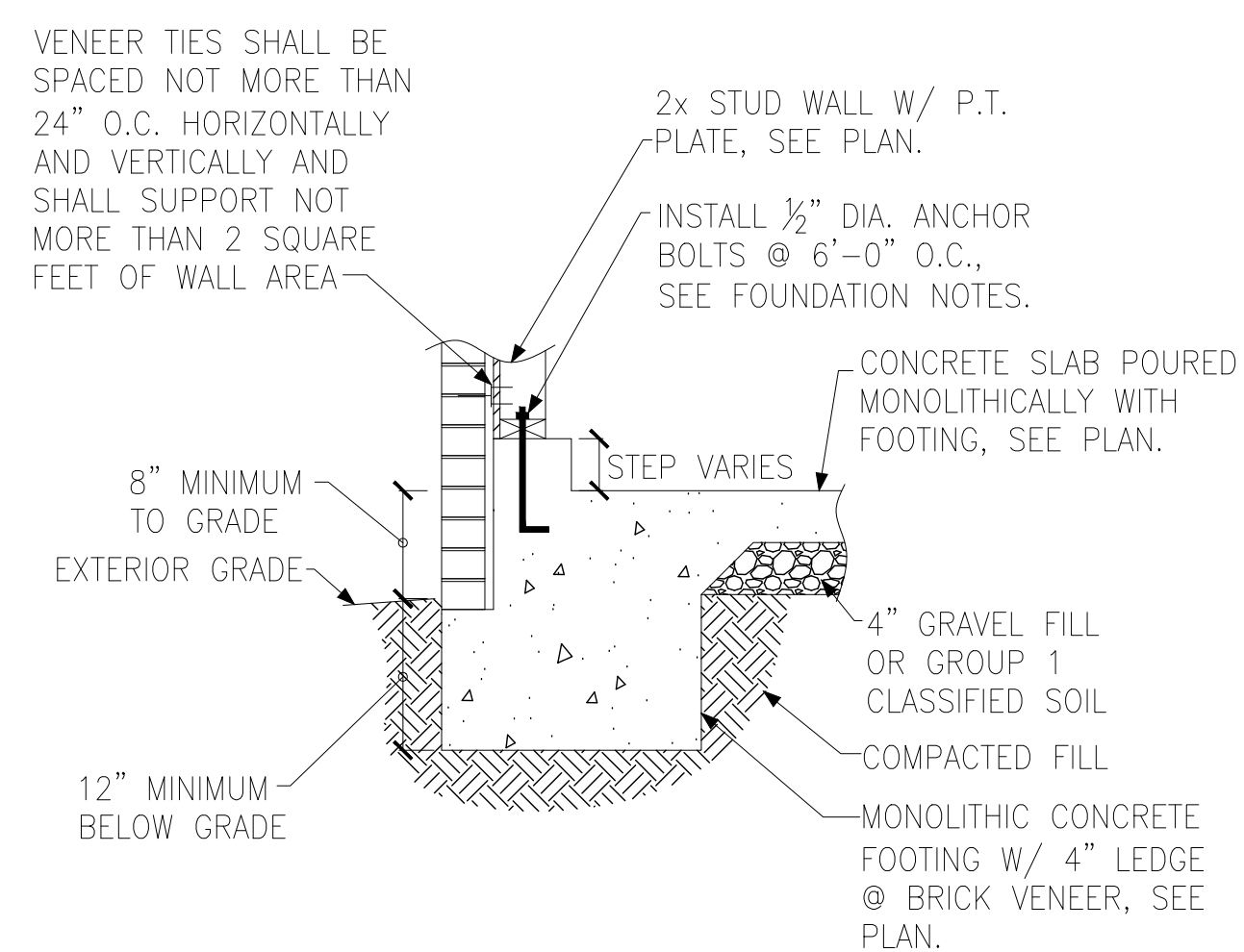
C FOUNDATION SECTION
EXTERIOR WALL AT PORCH



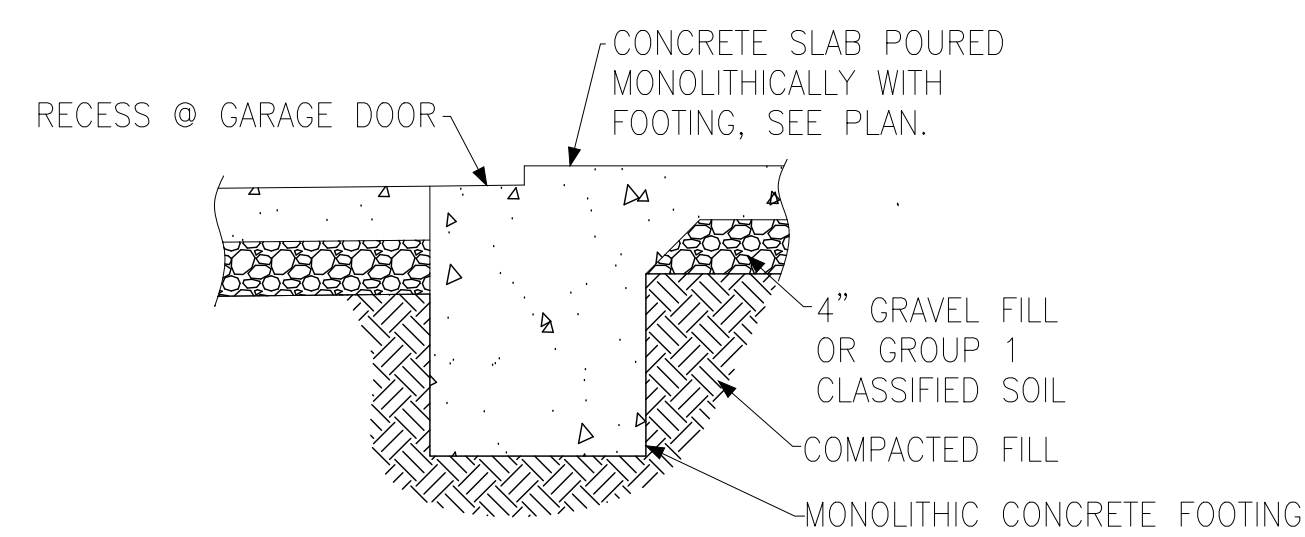
D FOUNDATION SECTION
EXTERIOR WALL AT PORCH W/ BRICK VENEER



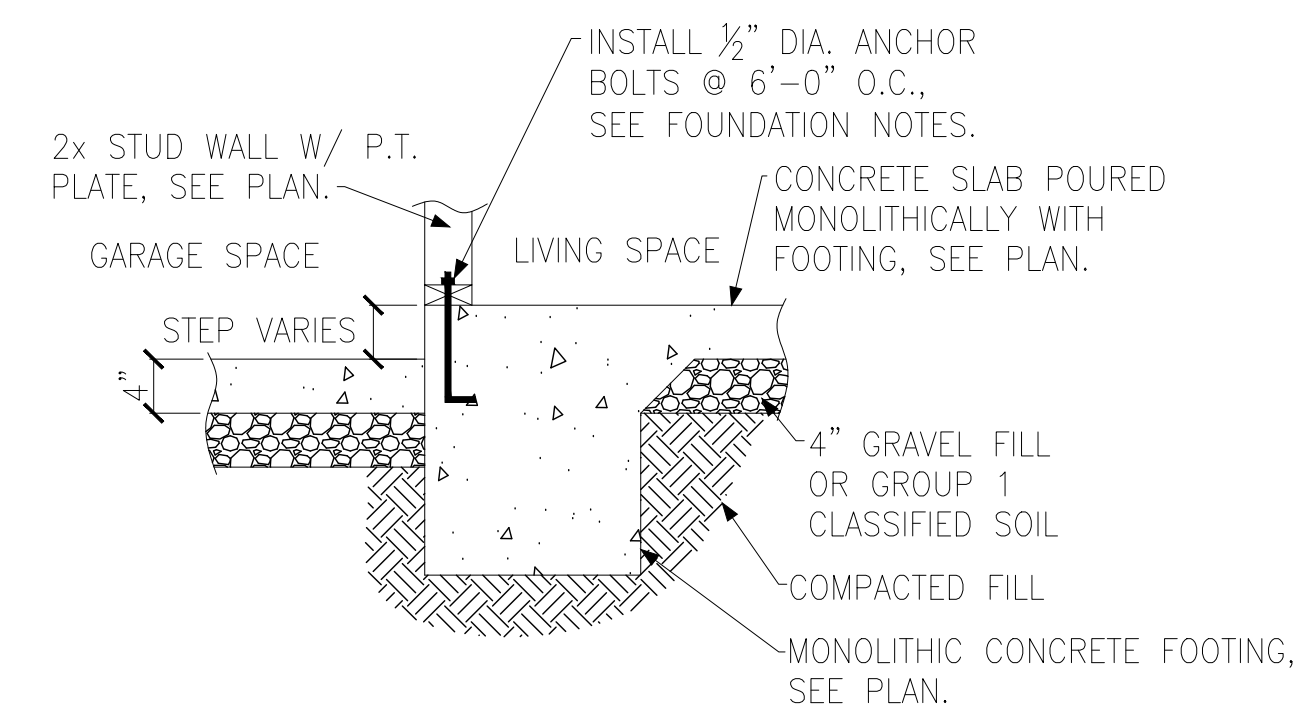
E FOUNDATION SECTION
EXTERIOR GARAGE WALL



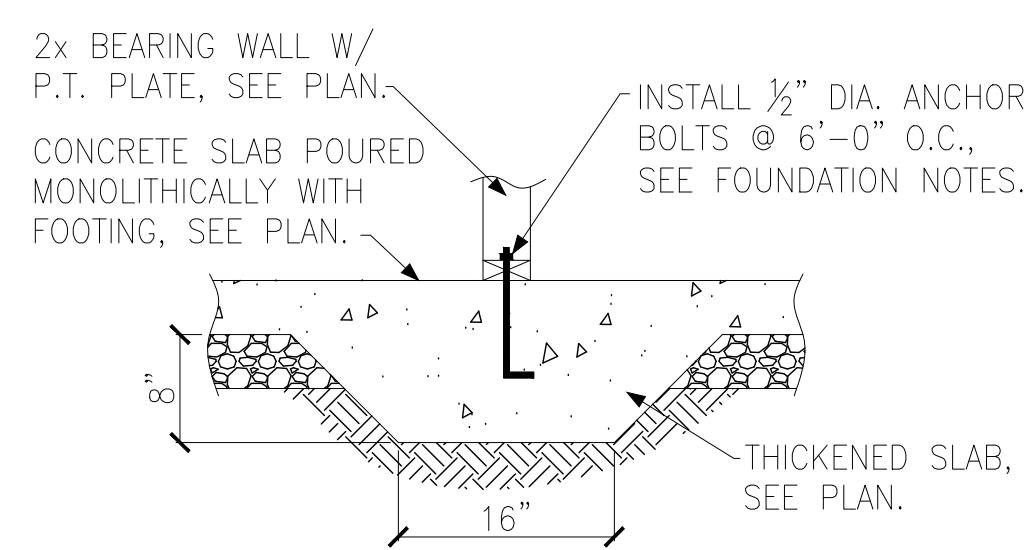
F FOUNDATION SECTION
EXTERIOR GARAGE WALL @ BRICK VENEER



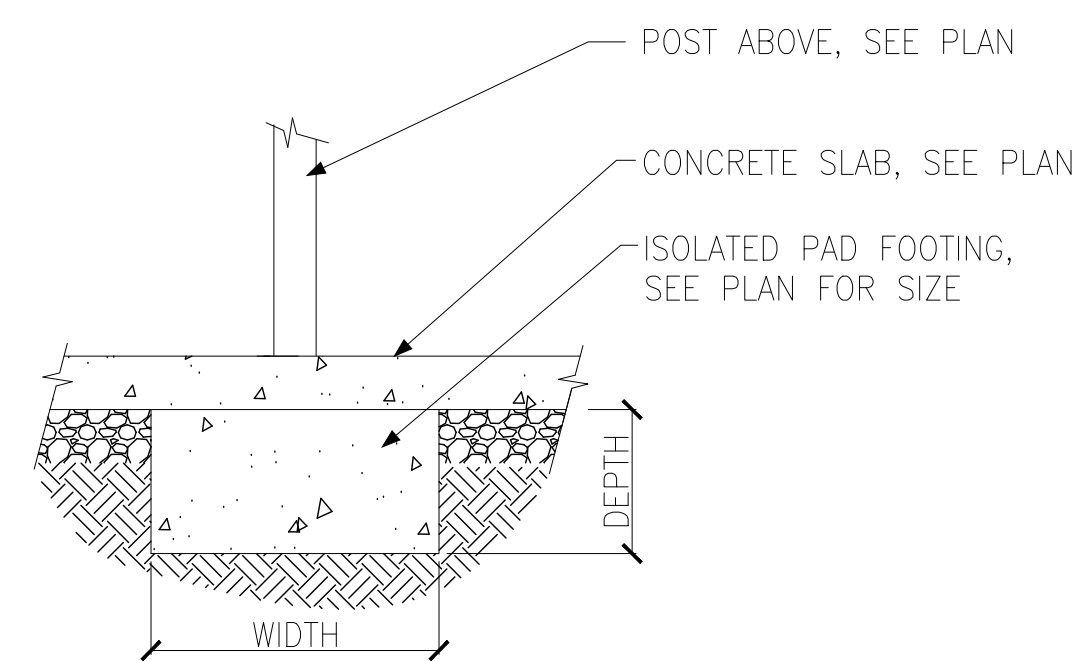
G GARAGE DOOR SECTION
GARAGE DOOR



H THICKENED SLAB
AT GARAGE



J THICKENED SLAB SECTION
INTERIOR BEARING WALL



K ISOLATED PAD FOOTING
INTERIOR COLUMN

