

LOT 19 WATSON RIDGE INVENTORY MARKED

EMBARK DREAM FINDERS HOMES

PLAN REVISIONS

11-08-11 COMPLETED CONSTRUCTION DOCUMENTS INCLUDING CLIENT REVIEW COMMENTS.

11-16-11 MIRRORED PLANS TO CREATE LEFT HAND GARAGE VERSION.

09-14-18 STANDARD CLIENT CHANGES PER CLIENT WALK-THRU NOTES DATED 08-30-18. CHANGES INCLUDE BUT NOT LIMITED TO THE FOLLOWING: REMOVE OPT. LAUNDRY TUB, REMOVE KITCHEN ISLAND KNEEWALLS, CHANGE KITCHEN ISLAND COUNTER TOP TO HAVE 12" OVERHANGS, REMOVE O.H.C. ABOVE FRIDGE, ADD PLUMBING DROP UNDER CABINET, REMOVE GARAGE SERVICE DOORS, REMOVE OPT. RAILING AT STAIRS, REVISE ALL SECONDARY CLOSETS AND LINENS TO HAVE BI-FOLD DOORS, REVISE OPT. E-CENTER TO HAVE 18" DRAWER BANK EACH SIDE WITH 32" KNEE SPACE WITH 2 USB OUTLETS, REMOVE WINDOW GRIDS AT SIDES AND REAR ELEVATIONS, CHANGE ALL GARAGE DOORS TO 16 PANEL DOORS, REVISE DATA DROPS TO BE 1 PHONE IN KITCHEN AND 1 T.V. IN OWNER'S SUITE AND GATHERING ROOM ONLY, REMOVE COVERED PORCH OPTION, REVISE KITCHEN LIGHTING TO BE 4-BULB FLUORESCENT LIGHT.

PLAN SPECIFIC CHANGES INCLUDE BUT NOT LIMITED TO THE FOLLOWING: REMOVE OPT. DOOR AT OWNER'S SUITE, REMOVE OPT. WINDOW AT BACK AND SIDE WALLS OF GATHERING ROOM, REMOVE O.H.C. ABOVE REF. AND SIDE WALL.

ELEVATION 'A' - REMOVE PICTURE FRAMING AT FRONT PORCH AND ADD PILASTER COLUMN, CHANGE HIP ROOF AT REAR OF HOUSE TO GABLE WITH FLUSH OVERHANG.
ELEVATION 'B' - REMOVE DECORATIVE GABLE BRACKET AT TOP GABLE AND REPLACE WITH TYPICAL GABLE BRACKET, CHANGE HIP ROOF AT REAR OF HOUSE TO GABLE WITH FLUSH OVERHANG.
ELEVATION 'C' - CHANGE HIP AT REAR OF HOUSE TO GABLE WITH FLUSH OVERHANG.

02-04-20 ADJUSTED THE PATIO/PAD TO MEASURE 10' X 8' AND ADJUSTED DIMENSIONS OF CONCRETE PAD/PATIO.
VERIFIED HDR. HGT. WAS AT LEAST 1'-0" ON ALL EXTERIOR WINDOWS.
VERIFIED ROOM SIZES AND DIMENSIONS.
CHANGED WASHER, DRYER, AND REFRIGERATOR TO OPTIONAL COMPONENTS.
VERIFIED MASTERS WAS CHANGED TO OWNER'S THROUGHOUT PLAN.
CHANGED FRONT DOOR ON ELEVATION C TO 2-PANEL INSTEAD OF 3-PANEL DOOR.
ADDED ROOF VENT CALCULATIONS OF ALL ELEVATION.
CHANGED 2X4 WALL AT REAR OF THE GARAGE TO 2X6 WALL.
UPDATED SLAB INTERFACE PLAN AND OPTIONS.
ADDED OPT. DBL OVEN TO PLANS IN KITCHEN.
ADDED INSULATION DETAIL TO PLAN SHEETS.
ADDED 3-0 5-0 WINDOW AT OWNER'S BEDROOM FOR VENTILATION PURPOSES.
CHANGE ALL CEILING FANS TO OPTIONAL.
REVISED CUTSHEETS.

06-01-20 REMOVED HANSEN BOX AND DRYER VENT.
GATHERING WAS CHANGED TO FAMILY, CAFE WAS CHANGED TO CASUAL DINING, AND FLEX ROOM WAS CHANGED TO STUDY.
CREATED NEW SHEET FOR FLOOR PLAN OPTIONS.
UPDATED CUTSHEETS.
CHANGED 2X4 WALL AT LEFT, BACK AND FRONT GARAGE WALLS TO 2X6.
REMOVED OUTLETS, PHONES AND TV'S FROM ELECTRICAL PLANS.
ADDED CARBON MONOXIDE DETECTOR AT BEDROOMS.
CREATED ELEVATION ARTS AND CRAFTS 'D'.
CHANGED CORNER BOARDS ON ELEVATIONS TO BE 1X4 TRIM BOARD.
SHOWED COACH LIGHTS ON ELEVATIONS.
ADDED DIAGONAL DIMENSIONS ON SLAB INTERFACE PLAN.
REVISED ROOM DIMENSIONS FOR THE FOLLOWING ROOMS:
GARAGE WAS 11'-4"x20'-8", NOW 11'-2"x20'-6"
FAMILY ROOM WAS 13'-6"x14'-8", NOW 13'-6"x14'-1"
REVISED SF. AS FOLLOWS:
LIVING WAS 1724 SF, NOW 1725 SF.
GARAGE WAS 249 SF, NOW IS 248 SF.
FRONT PORCH AT ELEVATION B WAS 63 SF, NOW IS 73 SF.
REMOVED ELEVATION C ON 01-09-2020
REMOVED ROUNDING AT SQ. FT. BLOCK. PORCH A WAS 63 SF, NOW IS 65 SF. PORCH B WAS 73 SF, NOW IS 72 SF.
CHANGED SHUTTERS TO BE 14" WIDE.
REMOVED OPT. FRIEZE BOARD AT REAR AND SIDE ELEVATIONS.
CREATED LEFT HAND GARAGE VERSION.

06-08-20 ADDED WINDOW SCHEDULE
CHANGED OWNER'S BATH DOOR TO 2'6"
CHANGED GARAGE WALL FROM 2X6 TO 2X4
ADDED DETAIL FOR DECORATIVE BRACKET ON ELEVATION A, ELEVATION B, & ELEVATION D
CHANGED COLUMNS TO MATCH STANDARD COLUMNS ACROSS ALL FURL PLANS
REMOVED COLUMN BASE FROM ELEVATION D AND CREATED FULL HEIGHT 8" SQUARE COLUMN
REMOVED GARAGE SHAKE FROM ELEVATION D
CHANGED LINEN HALL DOOR FROM 2/6 BIFOLD TO 2/6 STD.
CHANGED LINEN DOOR FROM 2/0 BIFOLD TO 2/0 STD.
CHANGED OWNER'S BATH LINEN DOOR FROM 2/6 BIFOLD TO 2/6 STD.
CHANGED COATS DOOR FROM 2/6 BIFOLD TO 2/6 STD.
CHANGED BED 2 CLOSET DOOR FROM 2/6 BIFOLD TO 2/6 STD.
CHANGED BED 3 CLOSET DOOR FROM 2/6 BIFOLD TO 2/6 STD.
CHANGED OWNER'S BEDROOM DOOR FROM 2/8 STD. TO 2/6 STD.
REMOVED OPTIONAL DOUBLE OVEN

12-01-22 ADDED ELEVATION D2 SHOWING BRICK COLUMN AND D3 SHOWING STONE COLUMN.
ADDED SQUARE FOOTAGE BLOCK FOR D2 AND D3 ELEVATIONS.
VERIFIED AND UPDATED OPTIONAL OWNER'S BATH 2 & 3 LAYOUTS
CHANGING OF FIRST FLOOR CEILING HEIGHT FROM 9'-0" TO 8'0" CEILING HEIGHT
SQUARE FOOTAGE OF FRONT PORCH ON ELEVATION 'D' CHANGED TO 126 SQ. FT.
SQUARE FOOTAGE OF FRONT PORCH ON ELEVATION 'D2' CHANGED TO 136 SQ. FT.
SQUARE FOOTAGE OF FRONT PORCH ON ELEVATION 'D3' CHANGED TO 136 SQ. FT.

12-01-22 CHANGED GARDEN TUB OF OPTIONAL OWNER'S BATH 2 FROM 66" TO 60"
CHANGED GARDEN TUB OF OPTIONAL OWNER'S BATH 3 FROM 66" TO 60"
CHANGED WINDOW HEAD HEIGHTS TO 85"
ADDED (6) OPTIONAL LED CAN LIGHTS IN KITCHEN (01-15-23)

SQUARE FOOTAGE	
HEATED AREAS	ELEV 'A'
LIVING	1725 SQ. FT.
TOTAL HEATED SF	1725 SQ. FT.
UNHEATED AREAS	
GARAGE	248 SQ. FT.
COVERED AREAS	
FRONT PORCH	65 SQ. FT.
UNCOVERED AREAS	
PAD	16 SQ. FT.
HEATED OPTIONS	
UNHEATED OPTIONS	
OPTIONAL PATIO	80 SQ. FT.
OPTIONAL 1-CAR GARAGE	240 SQ. FT.

SQUARE FOOTAGE	
HEATED AREAS	ELEV 'B'
LIVING	1725 SQ. FT.
TOTAL HEATED SF	1725 SQ. FT.
UNHEATED AREAS	
GARAGE	248 SQ. FT.
COVERED AREAS	
FRONT PORCH	72 SQ. FT.
UNCOVERED AREAS	
PAD	16 SQ. FT.
HEATED OPTIONS	
UNHEATED OPTIONS	
OPTIONAL PATIO	80 SQ. FT.
OPTIONAL 1-CAR GARAGE	240 SQ. FT.

SQUARE FOOTAGE	
HEATED AREAS	ELEV 'D'
LIVING	1725 SQ. FT.
TOTAL HEATED SF	1725 SQ. FT.
UNHEATED AREAS	
GARAGE	248 SQ. FT.
COVERED AREAS	
FRONT PORCH	126 SQ. FT.
UNCOVERED AREAS	
PAD	16 SQ. FT.
HEATED OPTIONS	
UNHEATED OPTIONS	
OPTIONAL PATIO	80 SQ. FT.
OPTIONAL 1-CAR GARAGE	240 SQ. FT.

SQUARE FOOTAGE	
HEATED AREAS	ELEV 'D2'
LIVING	1725 SQ. FT.
TOTAL HEATED SF	1725 SQ. FT.
UNHEATED AREAS	
GARAGE	248 SQ. FT.
COVERED AREAS	
FRONT PORCH	136 SQ. FT.
UNCOVERED AREAS	
PAD	16 SQ. FT.
HEATED OPTIONS	
UNHEATED OPTIONS	
OPTIONAL PATIO	80 SQ. FT.
OPTIONAL 1-CAR GARAGE	240 SQ. FT.

SQUARE FOOTAGE	
HEATED AREAS	ELEV 'D3'
LIVING	1725 SQ. FT.
TOTAL HEATED SF	1725 SQ. FT.
UNHEATED AREAS	
GARAGE	248 SQ. FT.
COVERED AREAS	
FRONT PORCH	136 SQ. FT.
UNCOVERED AREAS	
PAD	16 SQ. FT.
HEATED OPTIONS	
UNHEATED OPTIONS	
OPTIONAL PATIO	80 SQ. FT.
OPTIONAL 1-CAR GARAGE	240 SQ. FT.



JOB NUMBER	27167.03
CAD FILE NAME	EMBARK-R
ISSUED	11-08-17
REVISED	11-17-17
	09-14-18
	02-04-20
	06-01-20
	06-08-20
	12-01-22
	12-07-22

DRAWINGS ON 11"x17" SHEET ARE ONE HALF THE SCALE NOTED

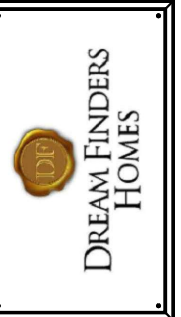
EMBARK (GARAGE RIGHT)
DREAM FINDERS HOMES

1724

REVISION LOG

SHEET
CS

ISSUANCE OF PLANS FROM THIS DRAFTER'S OFFICE SHALL NOT RELIEVE THE BUILDER OF RESPONSIBILITY TO REVIEW AND VERIFY ALL NOTES, DIMENSIONS, AND ADHERENCE TO APPLICABLE BUILDING CODES PRIOR TO COMMENCEMENT OF ANY CONSTRUCTION.
ANY DISCREPANCY OF ERROR IN NOTES, DIMENSIONS, OR ADHERENCE TO APPLICABLE BUILDING CODES SHALL BE BROUGHT TO THE ATTENTION OF THE DRAFTER'S OFFICE FOR CORRECTION BEFORE COMMENCEMENT OF ANY CONSTRUCTION.
ANY REVISIONS OR CHANGES, NOT RELATED TO THE CORRECTION OF ERRORS THAT ARE MADE AFTER THE FINAL PLANS HAVE BEEN COMPLETED SHALL BE SUBJECT TO ADDITIONAL FEES.
IF ANY MODIFICATIONS ARE MADE TO THESE PLANS BY ANY OTHER PARTY OTHER THAN THE DRAFTER'S OFFICE, THE DRAFTER SHALL NOT BE HELD RESPONSIBLE.



JOB NUMBER	27167.03
CAD FILE NAME	EMBARK-R
ISSUED	11-08-17
REVISED	11-12-17
	09-14-18
	02-04-20
	06-01-20
	06-08-20
	12-01-22
	12-07-22

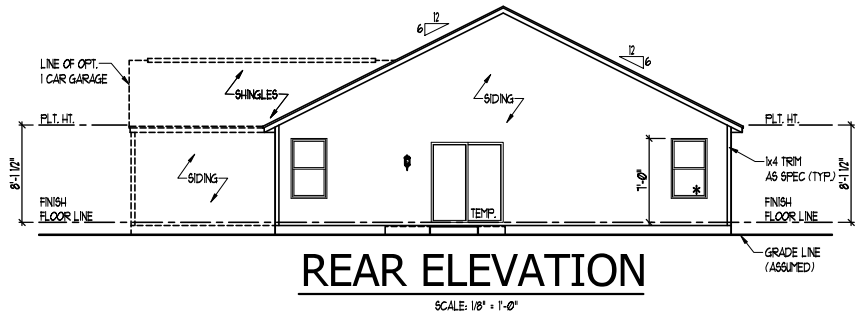
DRAWINGS ON 11"x17" SHEET ARE ONE HALF THE SCALE NOTED

EMBARK (GARAGE RIGHT)
DREAM FINDERS HOMES

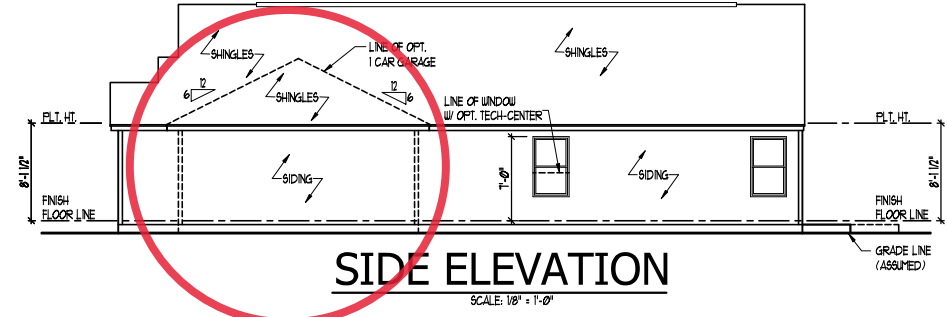
1724

TITLE
FRONT ELEVATION
REAR AND SIDE ELEVATIONS
SECTIONAL
ROOF PLAN
MISC DETAILS

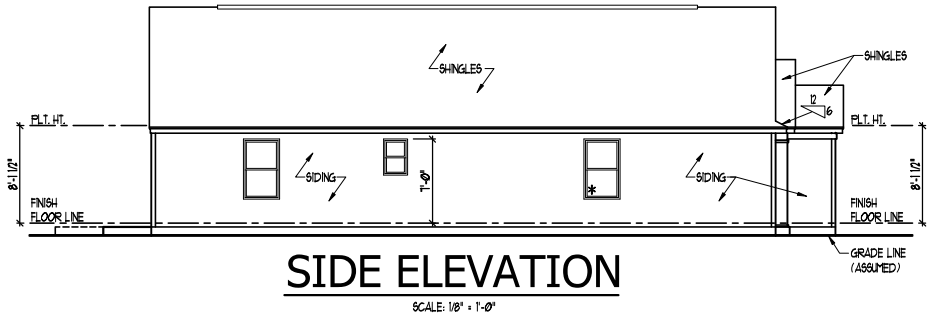
SHEET
A3.1



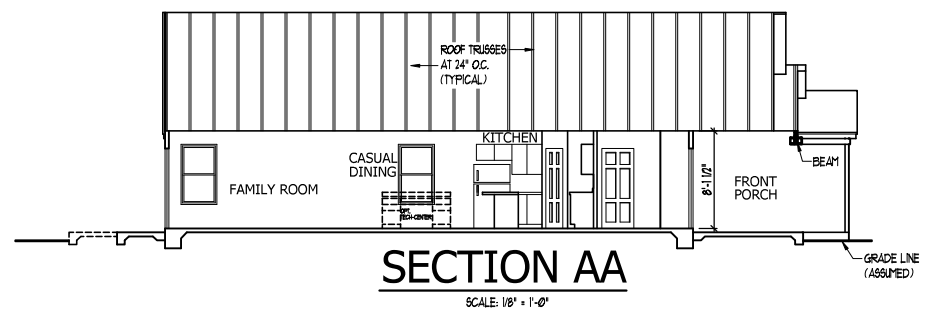
REAR ELEVATION
SCALE: 1/8" = 1'-0"



SIDE ELEVATION
SCALE: 1/8" = 1'-0"



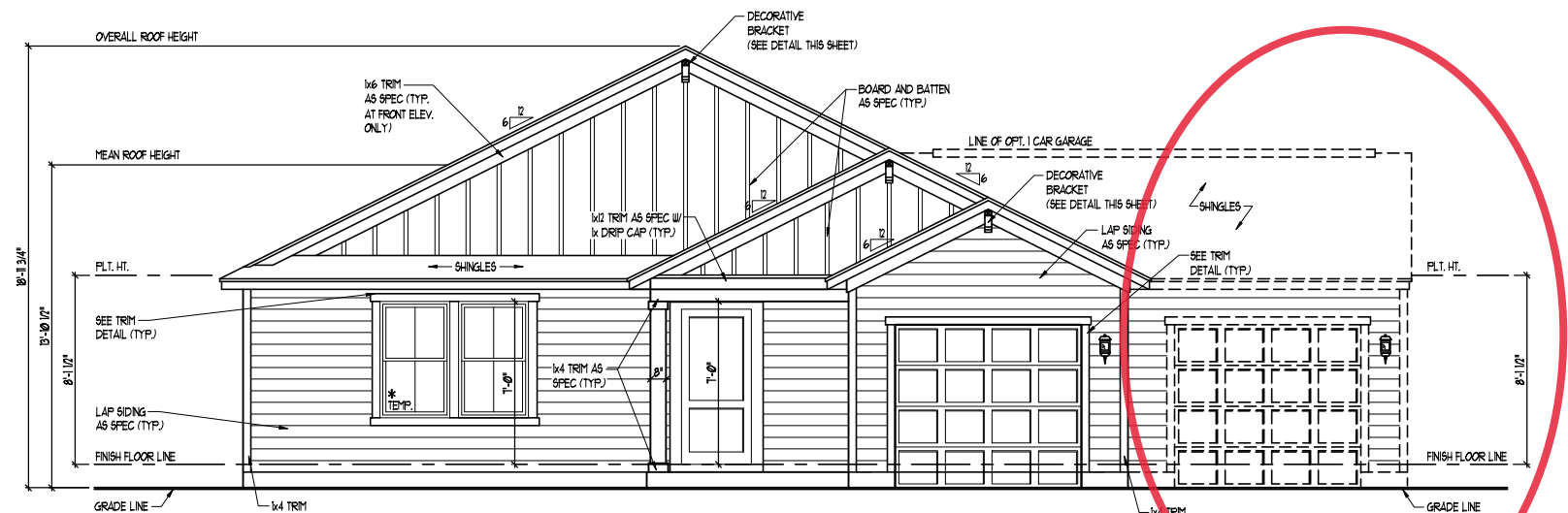
SIDE ELEVATION
SCALE: 1/8" = 1'-0"



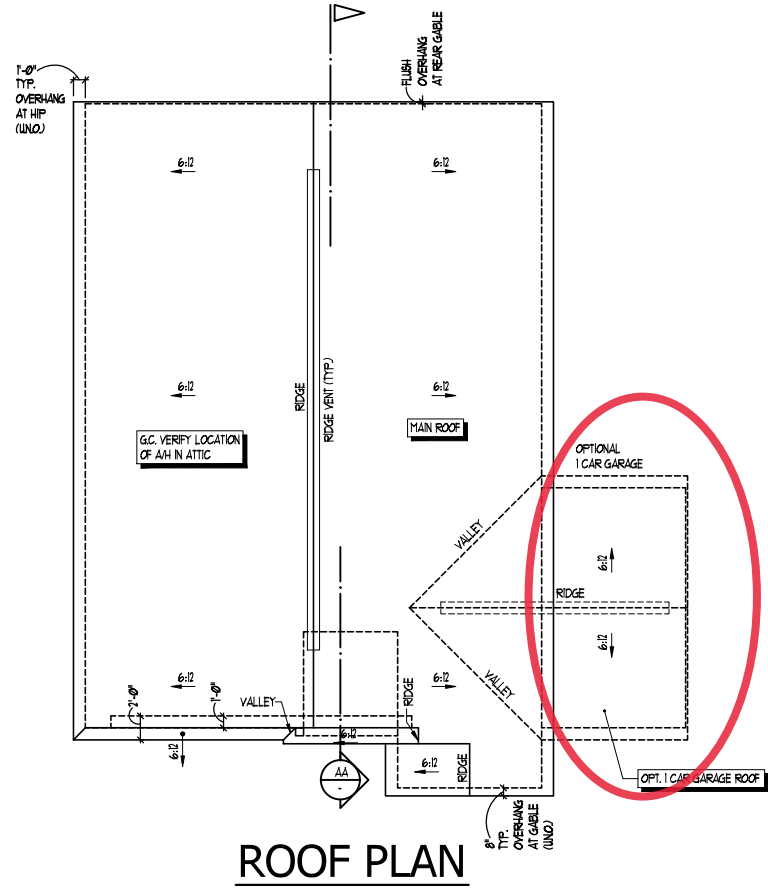
SECTION AA
SCALE: 1/8" = 1'-0"

ISSUANCE OF PLANS FROM THIS DRAFTER'S OFFICE SHALL NOT RELIEVE THE BUILDER OF RESPONSIBILITY TO REVIEW AND VERIFY ALL NOTES, DIMENSIONS, AND ADHERENCE TO APPLICABLE BUILDING CODES PRIOR TO COMMENCEMENT OF ANY CONSTRUCTION.
ANY DISCREPANCY OF ERROR IN NOTES, DIMENSIONS, OR ADHERENCE TO APPLICABLE BUILDING CODES SHALL BE BROUGHT TO THE ATTENTION OF THE DRAFTER'S OFFICE FOR CORRECTION BEFORE COMMENCEMENT OF ANY CONSTRUCTION.
ANY REVISIONS OR CHANGES NOT RELATED TO THE CORRECTION OF ERRORS THAT ARE MADE AFTER THE FINAL PLANS HAVE BEEN COMPLETED SHALL BE SUBJECT TO ADDITIONAL FEES.
IF ANY MODIFICATIONS ARE MADE TO THESE PLANS BY ANY OTHER PARTY OTHER THAN THE DRAFTER'S OFFICE, THE DRAFTER SHALL NOT BE HELD RESPONSIBLE.

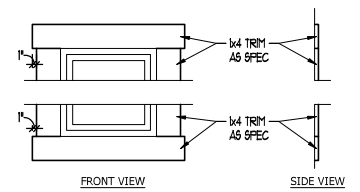
TOTAL UNDER ROOF AREA:	2045 SQ. FT. / 300 =	2045 SQ. FT.
VENTING AREA REQUIRED:		682 SQ. FT.
TOTAL REQUIREMENTS:	LOWER: 341 UPPER: 341	
LOWER AREA VENTING		
SOFFIT VENT	SIZE: PER UNIT: # UNITS: PROVIDED:	
	1041 S07FL 127'-2"	5.21
LOWER AREA VENTING PROVIDED: -		
UPPER AREA VENTING		
RIDGE VENT	SIZE: PER UNIT: # UNITS: PROVIDED:	
	125 S07LJ 40'-0"	5.00
UPPER AREA VENTING PROVIDED: -		
TOTAL AREA PROVIDED		
SOFFIT AND RIDGE VENT		10.21



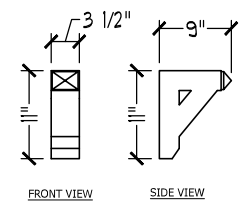
FRONT ELEVATION B
SCALE: 1/8" = 1'-0"



ROOF PLAN
SCALE: 1/8" = 1'-0"



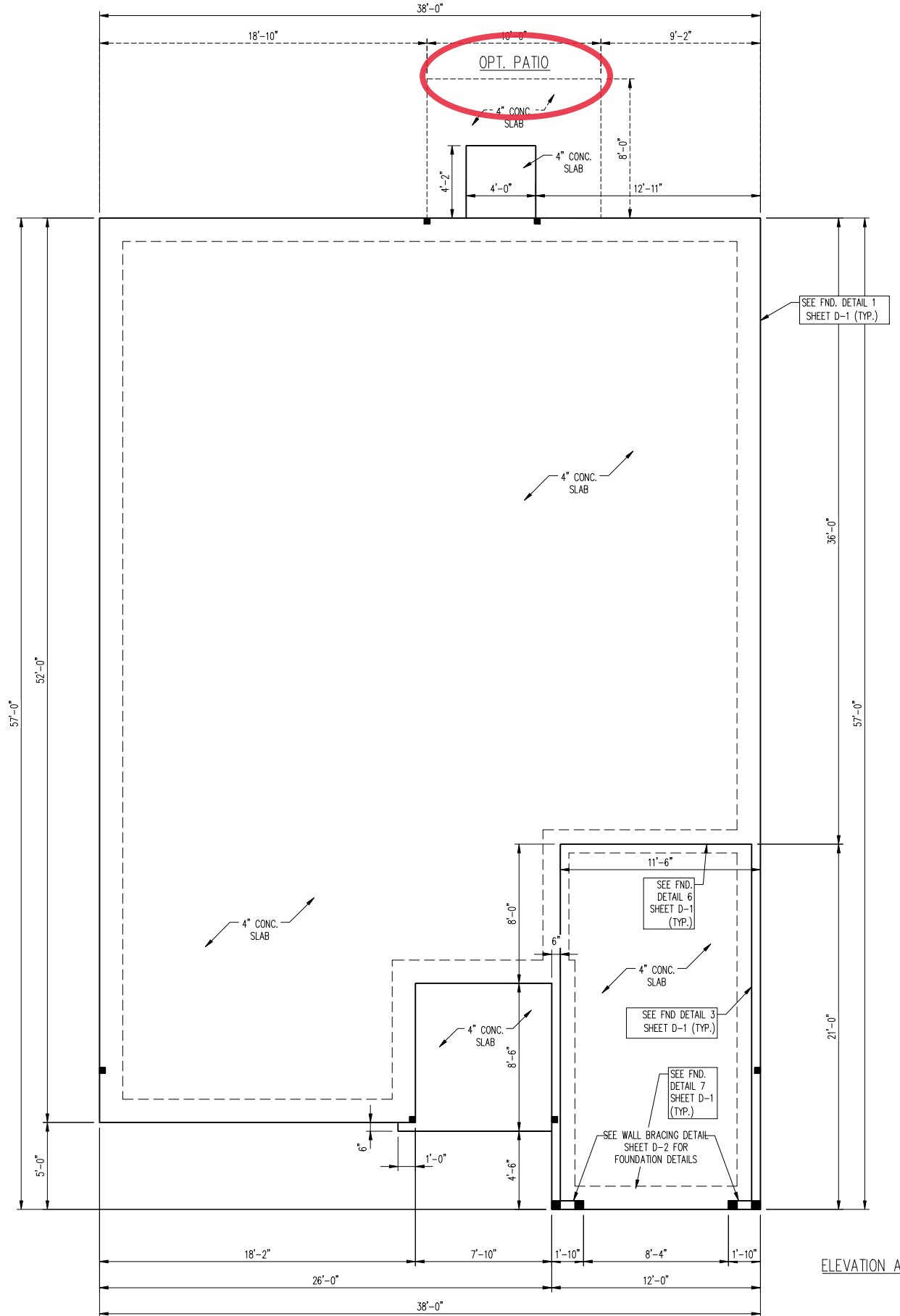
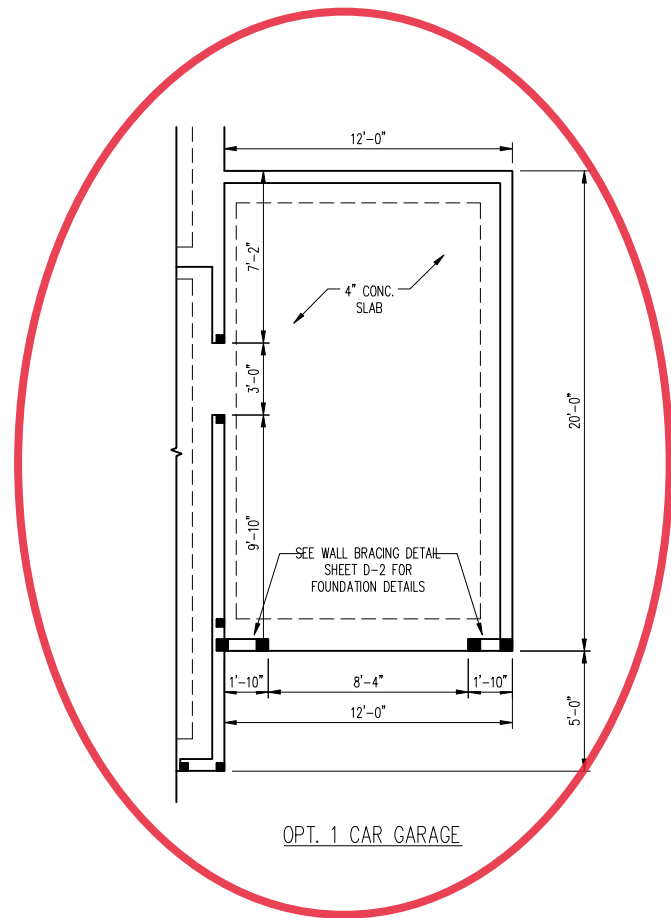
TRIM DETAIL
SCALE: NTS



BRACKET DETAIL
SCALE: 1" = 1'-0"

ELEVATION "B" - FARMHOUSE

SCALE NOTE:
LARGE FORMAT PRINTS ARE TO SCALE AS NOTED.
11" x 17" PRINTS ARE ONE HALF THE NOTED SCALE



- 150 MPH ULTIMATE DESIGN WIND SPEED
NOTES FOR LESS THAN
30' MEAN ROOF HEIGHT:
- ENGINEER'S SEAL APPLIES ONLY TO STRUCTURAL COMPONENTS. ENGINEER'S SEAL DOES NOT CERTIFY DIMENSIONAL ACCURACY OR ARCHITECTURAL LAYOUT INCLUDING ROOF SYSTEM.
 - STRUCTURAL DESIGN PER NORTH CAROLINA RESIDENTIAL CODE, 2018 EDITION WITH SPECIAL CONSIDERATION TO CHAPTER 45 ("HIGH WIND ZONES" FOR 150 MPH WINDS).
 - BUILDER IS TO PROVIDE FRAMING CONNECTIONS AS REQUIRED BY CHAPTER 45 ("HIGH WIND ZONES" FOR 150 MPH WINDS) OF THE NORTH CAROLINA RESIDENTIAL CODE, 2018 EDITION.
 - FOUNDATION ANCHORAGE TO COMPLY WITH SECTION 4504 OF THE NORTH CAROLINA RESIDENTIAL CODE, 2018 EDITION.
 - MEAN ROOF HEIGHT IS LESS THAN 30 FEET.
 - WALL CLADDING DESIGNED FOR +24.3 PSF AND -32 PSF (+/- INDICATE POSITIVE / NEGATIVE PRESSURE (TYP.)).
 - ROOF CLADDING DESIGNED FOR +22.2 PSF AND -28 PSF FOR ROOF PITCHES 7/12 TO 12/12 AND +14 PSF AND -57 PSF FOR ROOF PITCHED 2.25/12 TO 7/12.
 - 7/16" OSB SHEATHING IS REQUIRED ON ALL EXTERIOR WALLS.
 - WALLS TO BE BRACED IN ACCORDANCE WITH SECTION R602.10 OF THE NORTH CAROLINA RESIDENTIAL CODE, 2018 EDITION AND AS NOTED ON PLANS.
 - ENERGY EFFICIENCY COMPLIANCE AND INSULATION VALUES OF THE BUILDING TO BE IN ACCORDANCE WITH CHAPTER 11 OF THE NCRC, 2018 EDITION.

- 120 MPH ULTIMATE DESIGN WIND SPEED
NOTES FOR LESS THAN
30' MEAN ROOF HEIGHT:
- ENGINEER'S SEAL APPLIES ONLY TO STRUCTURAL COMPONENTS. ENGINEER'S SEAL DOES NOT CERTIFY DIMENSIONAL ACCURACY OR ARCHITECTURAL LAYOUT INCLUDING ROOF SYSTEM.
 - STRUCTURAL DESIGN PER NORTH CAROLINA RESIDENTIAL CODE, 2018 EDITION.
 - INSTALL 1/2" ANCHOR BOLTS 6'-0" O.C. AND WITHIN 1'-0" FROM END OF EACH CORNER. ANCHOR BOLTS MUST EXTEND A MINIMUM OF 7" INTO MASONRY OR CONCRETE. LOCATE BOLT WITHIN MIDDLE THIRD OF PLATE WIDTH.
 - MEAN ROOF HEIGHT IS LESS THAN 30 FEET.
 - EXTERIOR WALLS DESIGNED FOR 120 MPH WINDS.
 - WALL CLADDING DESIGNED FOR +15.5 PSF AND -20 PSF (+/- INDICATE POSITIVE / NEGATIVE PRESSURE (TYP.)).
 - ROOF CLADDING DESIGNED FOR +14.2 PSF AND -18 PSF FOR ROOF PITCHES 7/12 TO 12/12 AND +10 PSF AND -36 PSF FOR ROOF PITCHED 2.25/12 TO 7/12.
 - INSTALL 7/16" OSB SHEATHING ON ALL EXTERIOR WALLS OF ALL STORIES IN ACCORDANCE WITH SECTION R602.10.3 OF THE NCRC, 2018 EDITION. SEE THE WALL BRACING NOTES AND DETAIL SHEET FOR MORE INFORMATION.
 - ENERGY EFFICIENCY COMPLIANCE AND INSULATION VALUES OF THE BUILDING TO BE IN ACCORDANCE WITH CHAPTER 11 OF THE NCRC, 2018 EDITION.
 - REFER TO NOTES AND DETAIL SHEETS FOR ADDITIONAL STRUCTURAL INFORMATION.

PROFESSIONAL SEAL
33736
ENGINEER
MATTHEW G. STROTHER

DATE: DECEMBER 14, 2022
SCALE: 1/4" = 1'-0"
DRAWN BY: DAVIS BEWS DESIGN CO.
ENGINEERED BY: WFB

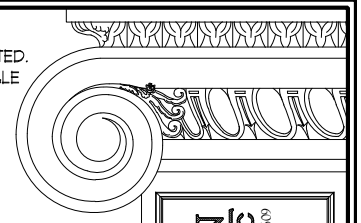
S-1.2a
MONO SLAB
FOUNDATION PLAN

12/14/2022

J.S. THOMPSON
ENGINEERING, INC
333 EAST SIX FORKS ROAD, SUITE 180 RALEIGH, NC 27609
PHONE: (919) 7899919 FAX: (919) 7899921
N.C. LICENSE NO.: C-1733

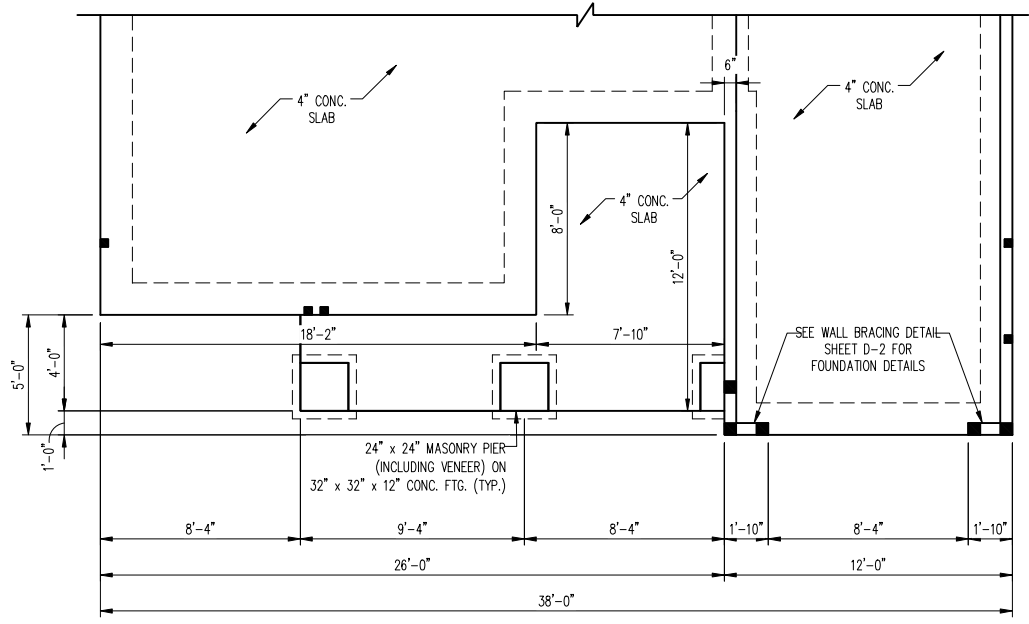
EMBARK
DREAM FINDERS HOMES

SCALE NOTE:
 LARGE FORMAT PRINTS ARE TO SCALE AS NOTED.
 11" x 17" PRINTS ARE ONE HALF THE NOTED SCALE

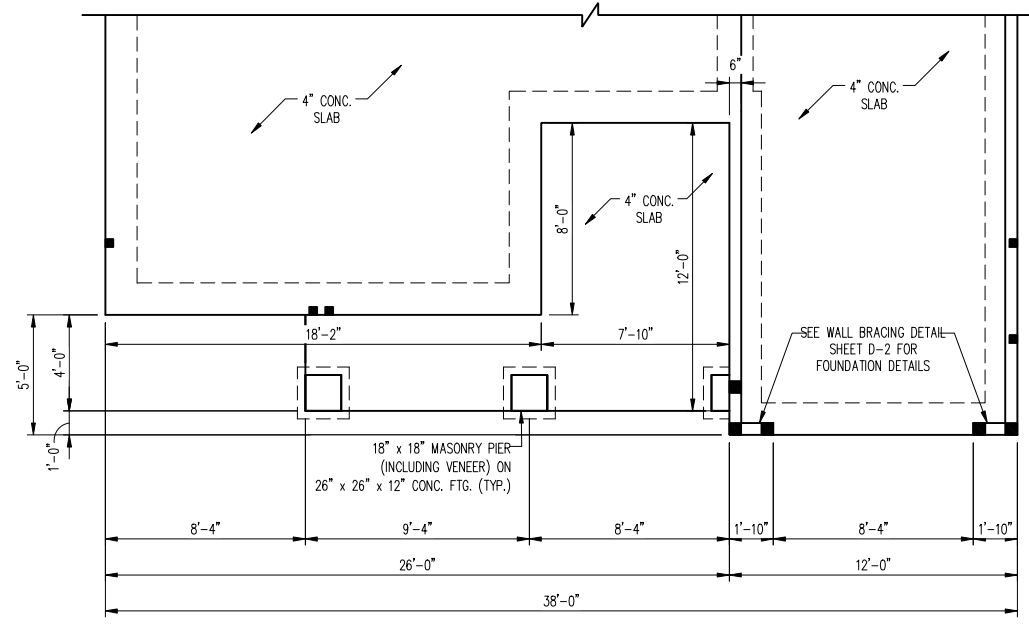


**J.S. THOMPSON
 ENGINEERING, INC**
 333 EAST SIX FORKS ROAD, SUITE 180 RALEIGH, NC 27609
 PHONE: (919) 7899919 FAX: (919) 7899921
 N.C. LICENSE NO.: C-1733

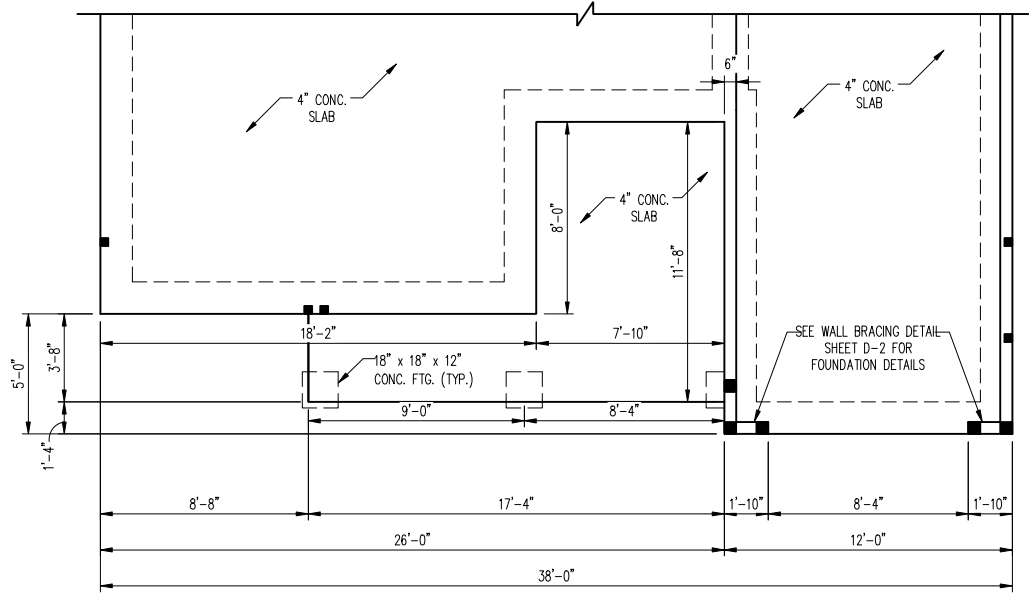
EMBARK
 DREAM FINDERS HOMES



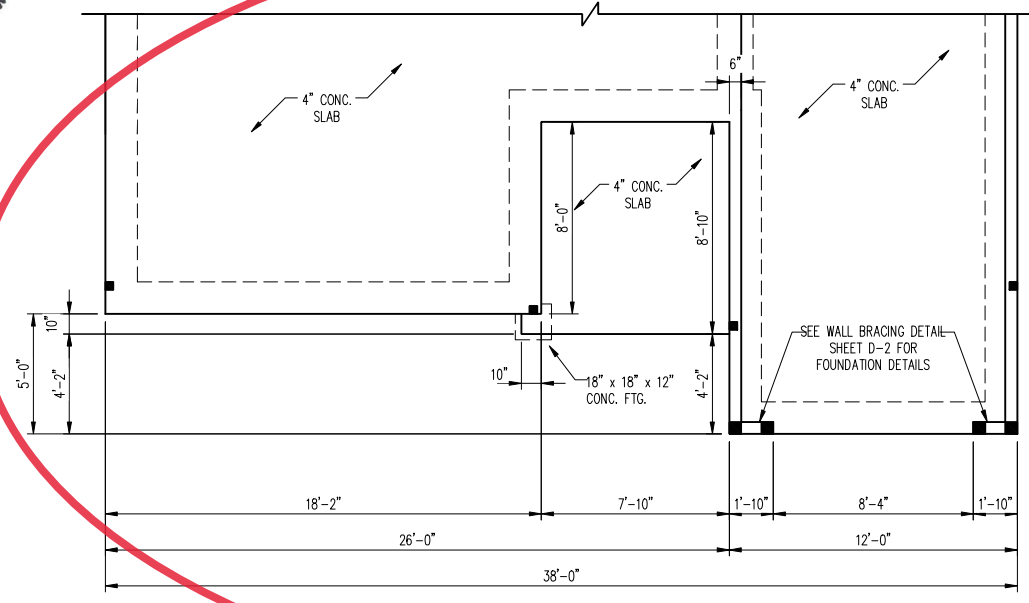
ELEVATION D2



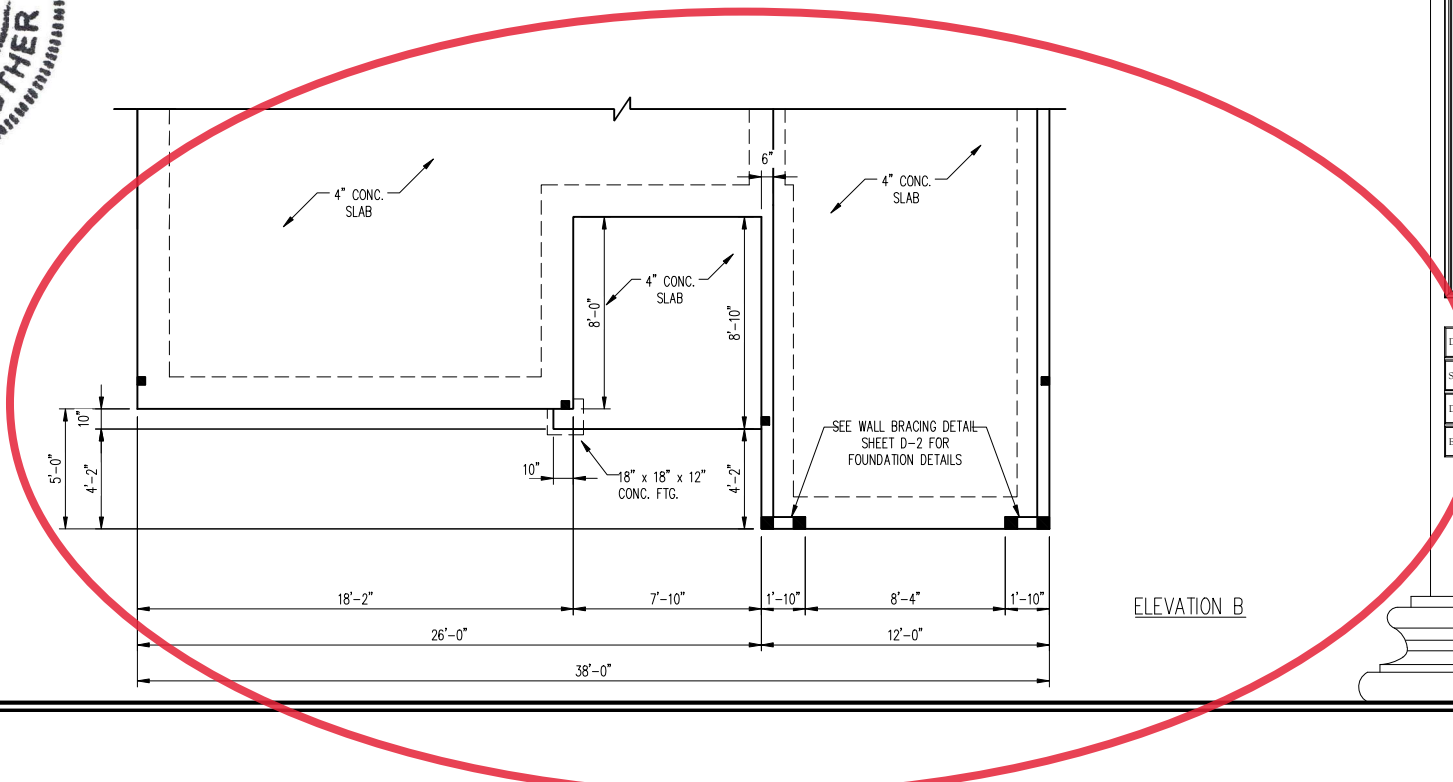
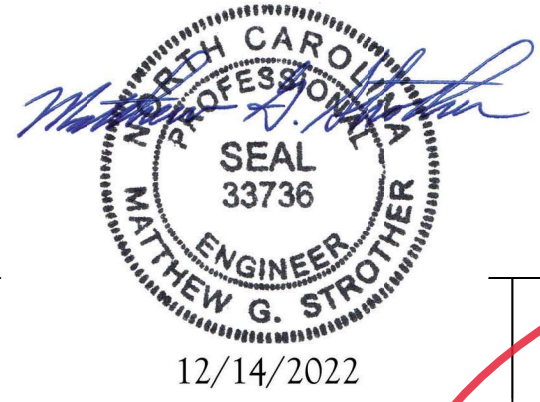
ELEVATION D3



ELEVATION D



ELEVATION B



DATE: DECEMBER 14, 2022
SCALE: 1/4" = 1'-0"
DRAWN BY: DAVIS BEWS DESIGN CO.
ENGINEERED BY: WFB

S-1.2b
 MONO SLAB
 FOUNDATION PLAN

JOB NUMBER	27167.03
CAD FILE NAME	EMBARK-R
ISSUED	11-08-17
REVISED	11-17-17
	09-14-18
	02-04-20
	06-01-20
	06-08-20
	12-01-22
	12-07-22

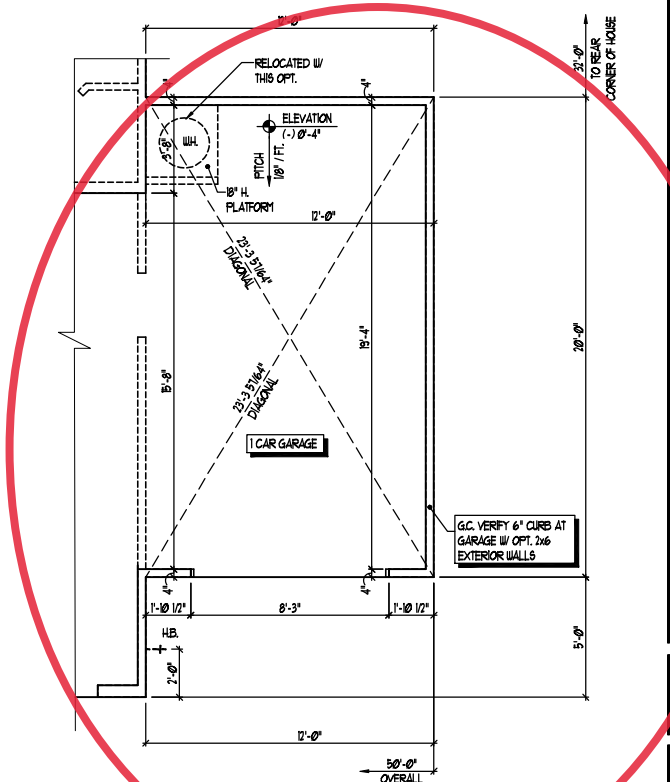
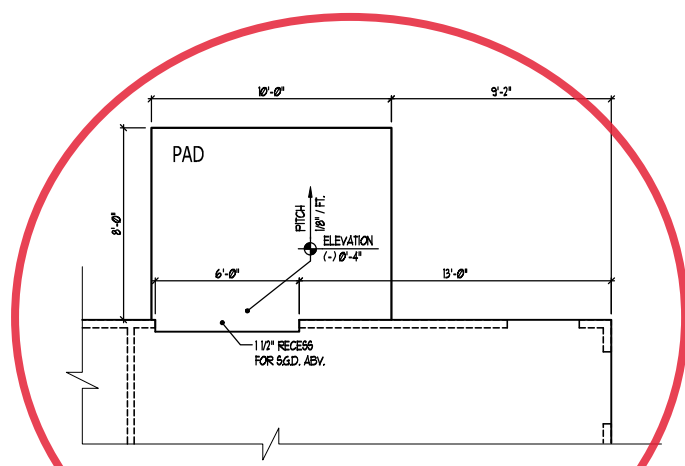
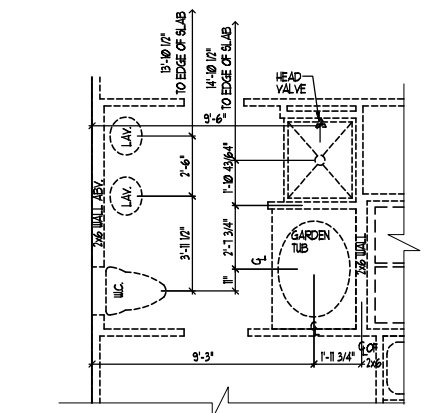
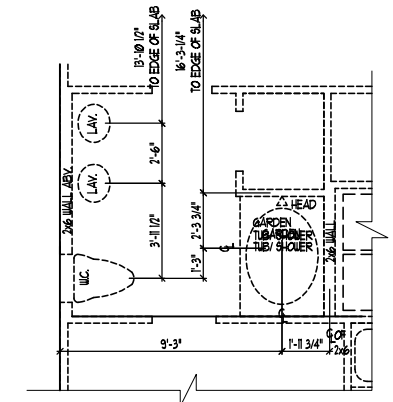
DRAWINGS ON 11"x17" SHEET ARE ONE HALF THE SCALE NOTED

EMBARK (GARAGE RIGHT)
DREAM FINDERS HOMES

1724

TITLE
SLAB INTERFACE PLAN

SHEET
A1.1



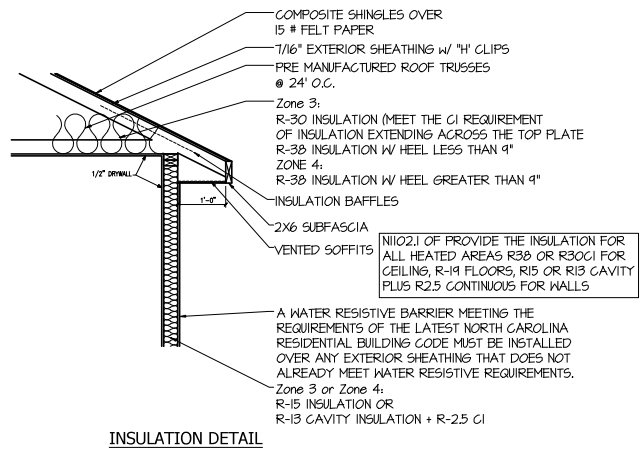
OPT. SLAB INTERFACE PLANS

ISSUANCE OF PLANS FROM THIS DRAFTER'S OFFICE SHALL NOT RELIEVE THE BUILDER OF RESPONSIBILITY TO REVIEW AND VERIFY ALL NOTES, DIMENSIONS, AND ADHERENCE TO APPLICABLE BUILDING CODES PRIOR TO COMMENCEMENT OF ANY CONSTRUCTION.
ANY DISCREPANCY OF ERROR IN NOTES, DIMENSIONS, OR ADHERENCE TO APPLICABLE BUILDING CODES SHALL BE BROUGHT TO THE ATTENTION OF THE DRAFTER'S OFFICE FOR CORRECTION BEFORE COMMENCEMENT OF ANY CONSTRUCTION.
ANY REVISIONS OR CHANGES, NOT RELATED TO THE CORRECTION OF ERRORS THAT ARE MADE AFTER THE FINAL PLANS HAVE BEEN COMPLETED SHALL BE SUBJECT TO ADDITIONAL FEES.
IF ANY MODIFICATIONS ARE MADE TO THESE PLANS BY ANY OTHER PARTY OTHER THAN THE DRAFTER'S OFFICE, THE DRAFTER SHALL NOT BE HELD RESPONSIBLE.

WINDOW SCHEDULE

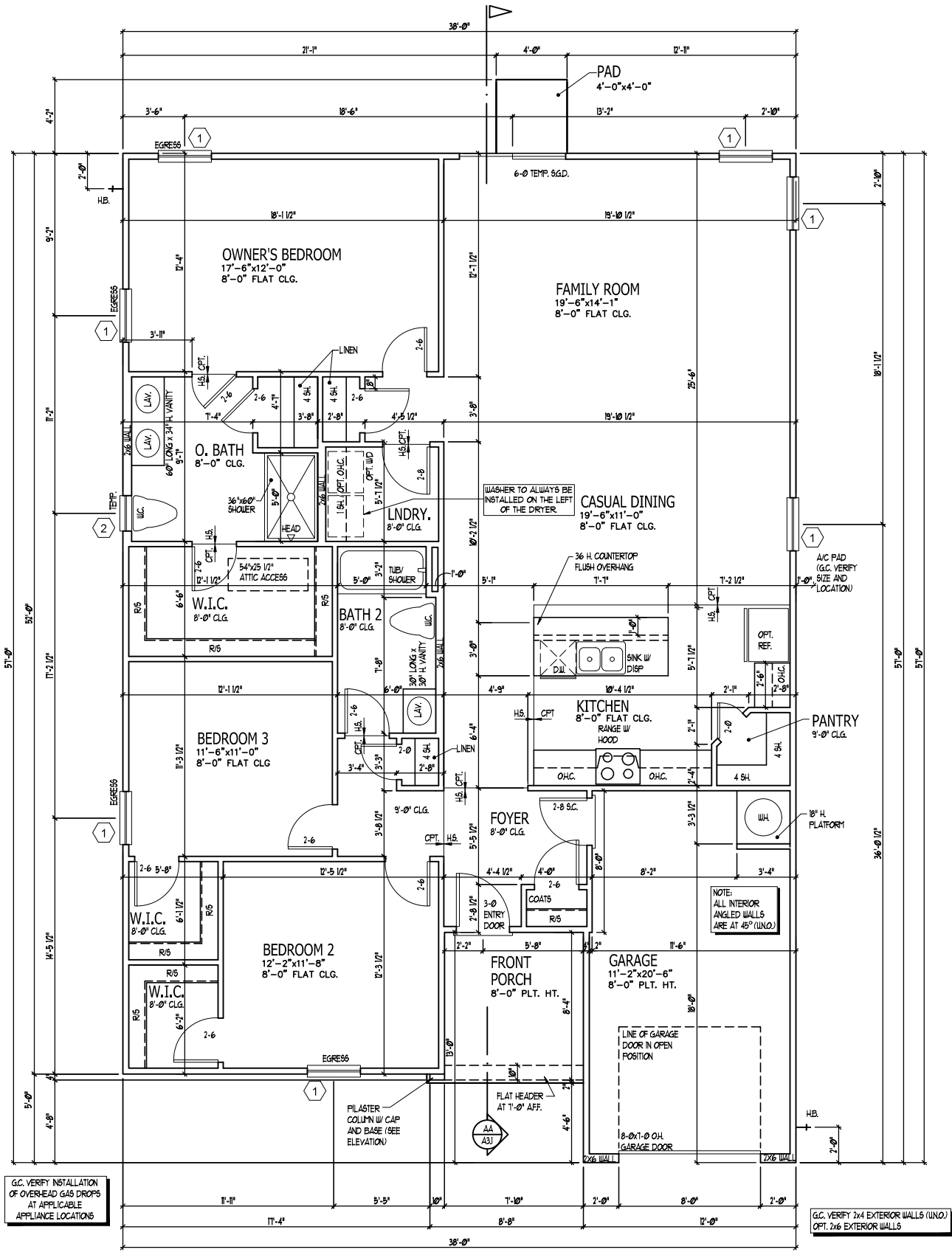
MARK	SIZE		TYPE	HEAD HEIGHT
	WIDTH	HEIGHT		
(1)	3'0"	5'0"	SINGLE HUNG	7'0"
(2)	2'0"	3'0"	SINGLE HUNG	7'0"
(3)	3'0"	3'0"	SINGLE HUNG	7'0"

SEE PLAN FOR NOTES ON EGRESS, TEMP., & ETC.



CHANGED WINDOW HEAD HEIGHTS TO 85"
ADDED (6) OPTIONAL LED CAN LIGHTS IN

SQUARE FOOTAGE	
HEATED AREAS	ELEV 'A'
LIVING	1725 SQ. FT.
TOTAL HEATED SF	1725 SQ. FT.
UNHEATED AREAS	
GARAGE	248 SQ. FT.
COVERED AREAS	
FRONT PORCH	65 SQ. FT.
UNCOVERED AREAS	
PAD	16 SQ. FT.
HEATED OPTIONS	
UNHEATED OPTIONS	
OPTIONAL PATIO	80 SQ. FT.



ISSUANCE OF PLANS FROM THIS DRAFTER'S OFFICE SHALL NOT RELIEVE THE BUILDER OF RESPONSIBILITY TO REVIEW AND VERIFY ALL NOTES, DIMENSIONS, AND ADHERENCE TO APPLICABLE BUILDING CODES PRIOR TO COMMENCEMENT OF ANY CONSTRUCTION.
 ANY DISCREPANCY OF ERROR IN NOTES, DIMENSIONS, OR ADHERENCE TO APPLICABLE BUILDING CODES SHALL BE BROUGHT TO THE ATTENTION OF THE DRAFTER'S OFFICE FOR CORRECTION BEFORE COMMENCEMENT OF ANY CONSTRUCTION.
 ANY REVISIONS OR CHANGES, NOT RELATED TO THE CORRECTION OF ERRORS THAT ARE MADE AFTER THE FINAL PLANS HAVE BEEN COMPLETED SHALL BE SUBJECT TO ADDITIONAL FEES.
 IF ANY MODIFICATIONS ARE MADE TO THESE PLANS BY ANY OTHER PARTY OTHER THAN THE DRAFTER'S OFFICE, THE DRAFTER SHALL NOT BE HELD RESPONSIBLE.



JOB NUMBER	27167.03
CAD FILE NAME	EMBARK-R
ISSUED	11-08-17
REVISED	11-17-17
	09-14-18
	02-04-20
	06-01-20
	06-08-20
	12-01-22
	12-07-22

DRAWINGS ON 11"x17" SHEET ARE ONE HALF THE SCALE NOTED

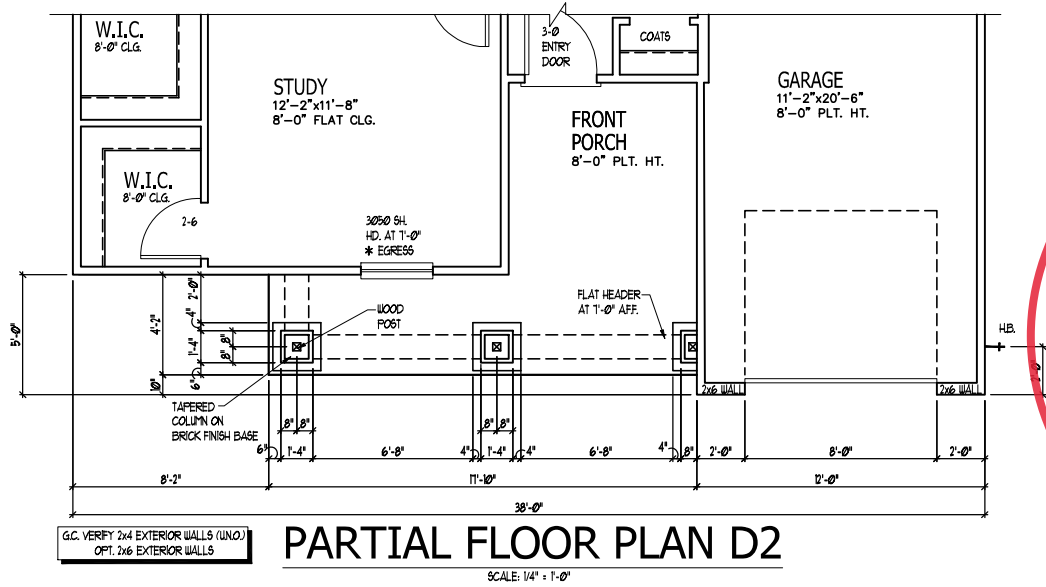
EMBARK (GARAGE RIGHT)
 DREAM FINDERS HOMES

1724

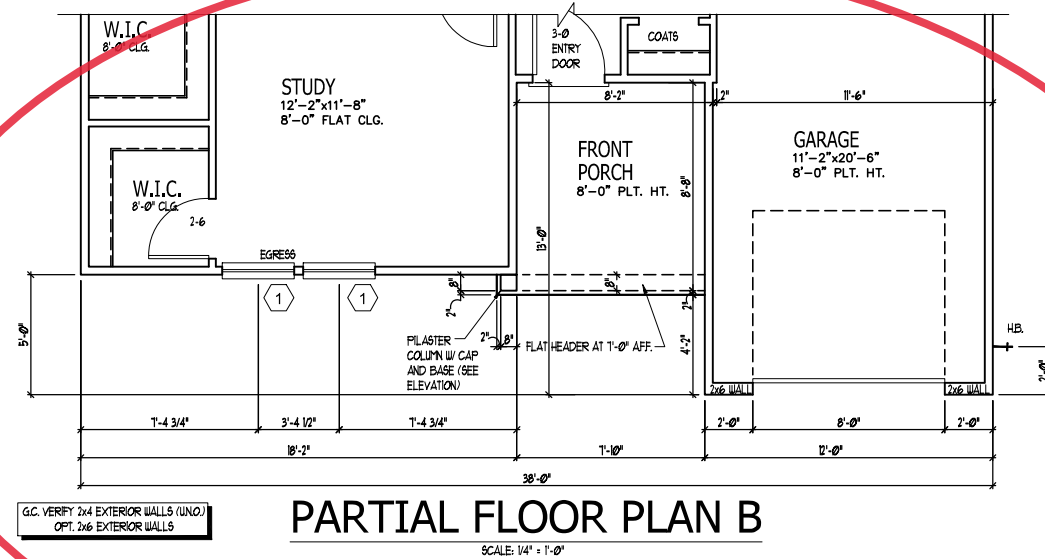
TITLE
FLOOR PLAN

SHEET
A2.0

FLOOR PLAN A



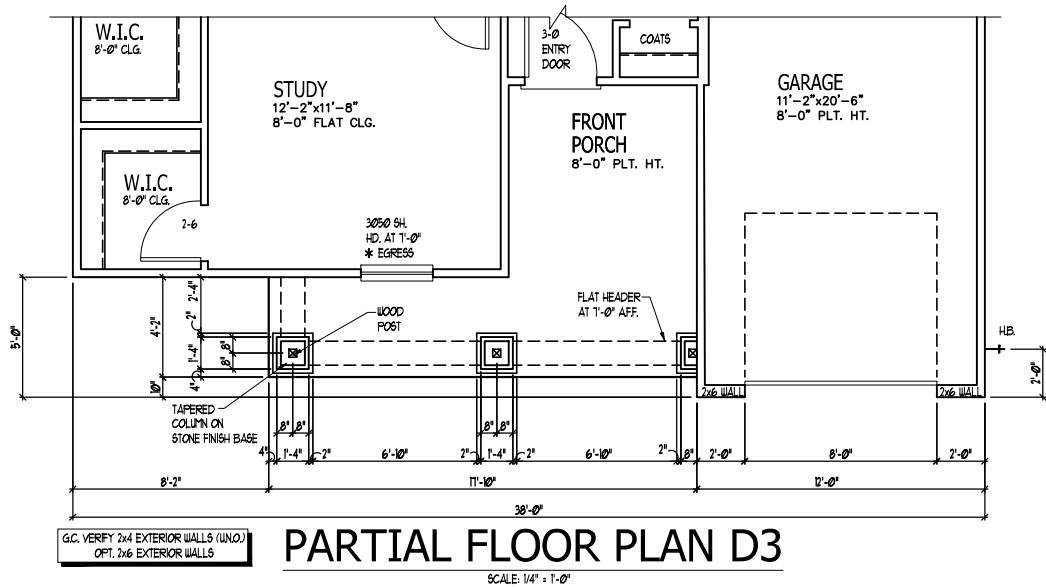
SQUARE FOOTAGE	
HEATED AREAS	ELEV 'D2'
LIVING	1725 SQ. FT.
TOTAL HEATED SF	1725 SQ. FT.
UNHEATED AREAS	
GARAGE	248 SQ. FT.
COVERED AREAS	
FRONT PORCH	136 SQ. FT.
UNCOVERED AREAS	
PAD	16 SQ. FT.
HEATED OPTIONS	
UNHEATED OPTIONS	
OPTIONAL PATIO	80 SQ. FT.
OPTIONAL LOAD GARAGE	240 SQ. FT.



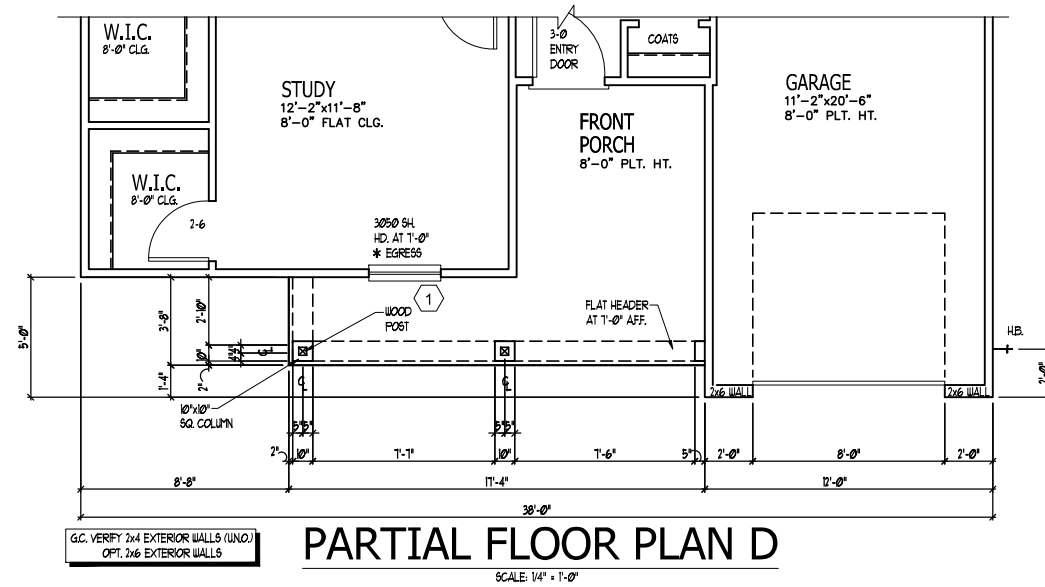
SQUARE FOOTAGE	
HEATED AREAS	ELEV 'B'
LIVING	1725 SQ. FT.
TOTAL HEATED SF	1725 SQ. FT.
UNHEATED AREAS	
GARAGE	248 SQ. FT.
COVERED AREAS	
FRONT PORCH	72 SQ. FT.
UNCOVERED AREAS	
PAD	16 SQ. FT.
HEATED OPTIONS	
UNHEATED OPTIONS	
OPTIONAL PATIO	80 SQ. FT.
OPTIONAL LOAD GARAGE	240 SQ. FT.

WINDOW SCHEDULE				
MARK	SIZE		TYPE	HEAD HEIGHT
	WIDTH	HEIGHT		
1	3'-0"	5'-0"	SINGLE HUNG	7'-0"
2	2'-0"	3'-0"	SINGLE HUNG	7'-0"
3	3'-0"	3'-0"	SINGLE HUNG	7'-0"

SEE PLAN FOR NOTES ON EGRESS, TEMP., & ETC.



SQUARE FOOTAGE	
HEATED AREAS	ELEV 'D3'
LIVING	1725 SQ. FT.
TOTAL HEATED SF	1725 SQ. FT.
UNHEATED AREAS	
GARAGE	248 SQ. FT.
COVERED AREAS	
FRONT PORCH	136 SQ. FT.
UNCOVERED AREAS	
PAD	16 SQ. FT.
HEATED OPTIONS	
UNHEATED OPTIONS	
OPTIONAL PATIO	80 SQ. FT.
OPTIONAL LOAD GARAGE	240 SQ. FT.



SQUARE FOOTAGE	
HEATED AREAS	ELEV 'D'
LIVING	1725 SQ. FT.
TOTAL HEATED SF	1725 SQ. FT.
UNHEATED AREAS	
GARAGE	248 SQ. FT.
COVERED AREAS	
FRONT PORCH	126 SQ. FT.
UNCOVERED AREAS	
PAD	16 SQ. FT.
HEATED OPTIONS	
UNHEATED OPTIONS	
OPTIONAL PATIO	80 SQ. FT.
OPTIONAL LOAD GARAGE	240 SQ. FT.

ISSUANCE OF PLANS FROM THIS DRAFTER'S OFFICE SHALL NOT RELIEVE THE BUILDER OF RESPONSIBILITY TO REVIEW AND VERIFY ALL NOTES, DIMENSIONS, AND ADHERENCE TO APPLICABLE BUILDING CODES PRIOR TO COMMENCEMENT OF ANY CONSTRUCTION.
 ANY DISCREPANCY OF ERROR IN NOTES, DIMENSIONS OR ADHERENCE TO APPLICABLE BUILDING CODES SHALL BE BROUGHT TO THE ATTENTION OF THE DRAFTER'S OFFICE FOR CORRECTION BEFORE COMMENCEMENT OF ANY CONSTRUCTION.
 ANY REVISIONS OR CHANGES NOT RELATED TO THE CORRECTION OF ERRORS THAT ARE MADE AFTER THE FINAL PLANS HAVE BEEN COMPLETED SHALL BE SUBJECT TO ADDITIONAL FEES.
 IF ANY MODIFICATIONS ARE MADE TO THESE PLANS BY ANY OTHER PARTY OTHER THAN THE DRAFTER'S OFFICE, THE DRAFTER SHALL NOT BE HELD RESPONSIBLE.



JOB NUMBER	27167.03
CAD FILE NAME	EMBARK-R
ISSUED	11-08-17
REVISED	11-12-17
	09-14-18
	02-04-20
	06-01-20
	06-08-20
	12-01-22
	12-07-22

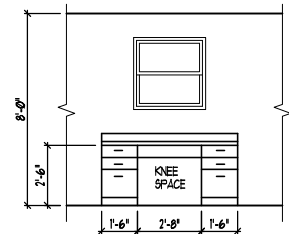
DRAWINGS ON 11"x17" SHEET ARE ONE HALF THE SCALE NOTED

EMBARK (GARAGE RIGHT)
DREAM FINDERS HOMES

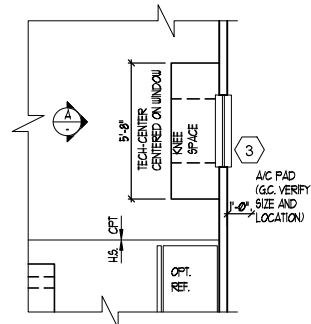
1724

TITLE
FLOOR PLAN OPTIONS

SHEET
A2.1

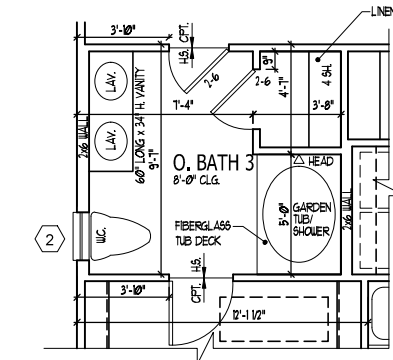


OPT. TECH - CENTER



OPT. TECH - CENTER AT CASUAL DINING

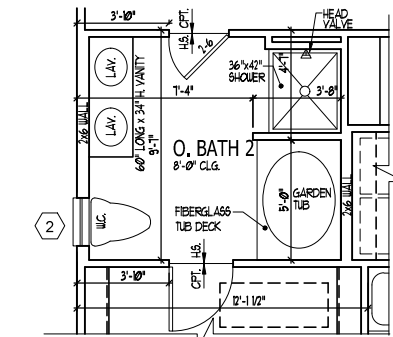
SCALE: 1/4" = 1'-0"



OPT. OWNER'S BATH 3

SCALE: 1/4" = 1'-0"

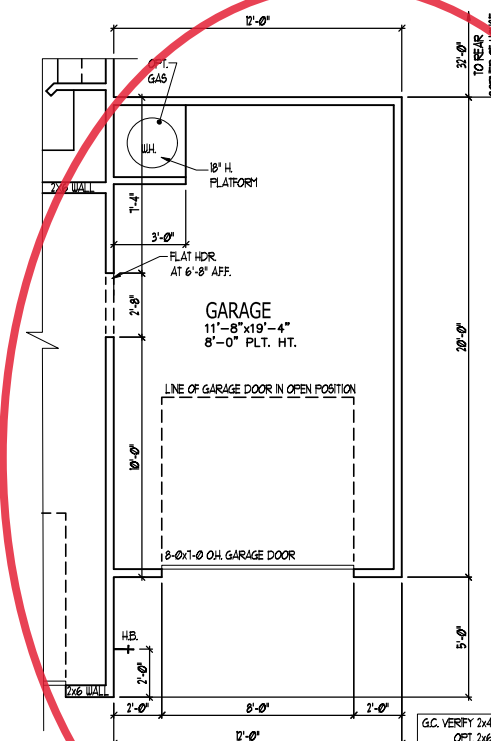
G.C. VERIFY 2x4 EXTERIOR WALLS (UNO.)
OPT. 2x6 EXTERIOR WALLS



OPT. OWNER'S BATH 2

SCALE: 1/4" = 1'-0"

G.C. VERIFY 2x4 EXTERIOR WALLS (UNO.)
OPT. 2x6 EXTERIOR WALLS

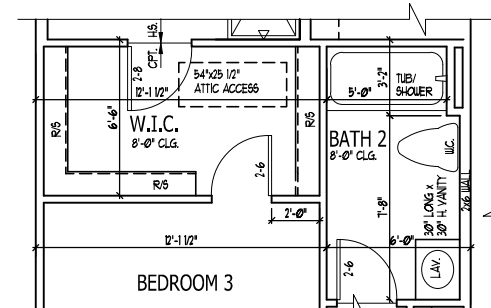


OPT.1 CAR GARAGE

SCALE: 1/4" = 1'-0"

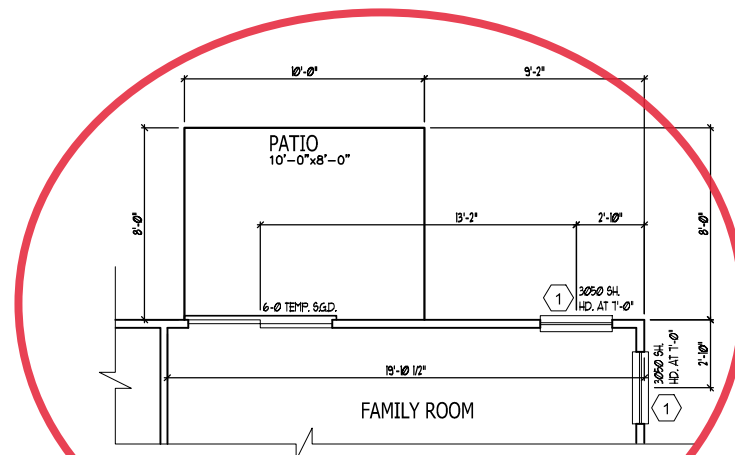
WINDOW SCHEDULE				
MARK	SIZE		TYPE	HEAD HEIGHT
	WIDTH	HEIGHT		
1	3'-0"	5'-0"	SINGLE HUNG	7'-0"
2	2'-0"	3'-0"	SINGLE HUNG	7'-0"
3	3'-0"	3'-0"	SINGLE HUNG	7'-0"

SEE PLAN FOR NOTES ON EGRESS, TEMP., & ETC.



OPT. DOOR FROM BEDROOM 3 TO WIC

SCALE: 1/4" = 1'-0"



OPT. PATIO

SCALE: 1/4" = 1'-0"

ISSUANCE OF PLANS FROM THIS DRAFTER'S OFFICE SHALL NOT RELIEVE THE BUILDER OF RESPONSIBILITY TO REVIEW AND VERIFY ALL NOTES, DIMENSIONS, AND ADHERENCE TO APPLICABLE BUILDING CODES PRIOR TO COMMENCEMENT OF ANY CONSTRUCTION.
ANY DISCREPANCY OF ERROR IN NOTES, DIMENSIONS, OR ADHERENCE TO APPLICABLE BUILDING CODES SHALL BE BROUGHT TO THE ATTENTION OF THE DRAFTER'S OFFICE FOR CORRECTION BEFORE COMMENCEMENT OF ANY CONSTRUCTION.
ANY REVISIONS OR CHANGES, NOT RELATED TO THE CORRECTION OF ERRORS THAT ARE MADE AFTER THE FINAL PLANS HAVE BEEN COMPLETED SHALL BE SUBJECT TO ADDITIONAL FEES.
IF ANY MODIFICATIONS ARE MADE TO THESE PLANS BY ANY OTHER PARTY OTHER THAN THE DRAFTER'S OFFICE, THE DRAFTER SHALL NOT BE HELD RESPONSIBLE.



JOB NUMBER	27167.03
CAD FILE NAME	EMBARK-R
ISSUED	11-08-17
REVISED	11-17-17
	09-14-18
	02-04-20
	06-01-20
	06-08-20
	12-01-22
	12-07-22

DRAWINGS ON 11"x17" SHEET ARE ONE HALF THE SCALE NOTED

EMBARK (GARAGE RIGHT) DREAM FINDERS HOMES

1724

TITLE FLOOR PLAN OPTIONS

SHEET **A2.2**

OPT. FLOOR PLANS



JOB NUMBER	27167.03
CAD FILE NAME	EMBARK-R
ISSUED	11-08-17
REVISED	11-17-17
	09-14-18
	02-04-20
	06-01-20
	06-08-20
	12-01-22
	12-07-22

DRAWINGS ON 11"x17" SHEET ARE ONE HALF THE SCALE NOTED

EMBARK (GARAGE RIGHT)
DREAM FINDERS HOMES

1724

TITLE
ELECTRICAL PLAN

SHEET
E1.0

ELECTRICAL KEY

- DUPLEX CONVENIENCE OUTLET
- DUPLEX OUTLET ABOVE COUNTER
- WEATHERPROOF DUPLEX OUTLET
- GROUND FAULT INTERRUPTER DUPLEX OUTLET
- HALF-SWITCHED DUPLEX OUTLET
- SPECIAL PURPOSE OUTLET
- DUPLEX OUTLET IN FLOOR
- 220 VOLT OUTLET
- WALL SWITCH
- THREE-WAY SWITCH
- FOUR-WAY SWITCH
- DIMMER SWITCH
- CEILING MOUNTED INCANDESCENT LIGHT FIXTURE
- WALL MOUNTED INCANDESCENT LIGHT FIXTURE
- RECESSED INCANDESCENT LIGHT FIXTURE
- LED CAN LIGHT
- LIGHT FIXTURE WITH PULL CHAIN
- TRACK LIGHT
- FLUORESCENT LIGHT FIXTURE
- EXHAUST FAN
- EXHAUST FAN/LIGHT COMBINATION
- ELECTRIC DOOR OPERATOR (OPTIONAL)
- CHIMES (OPTIONAL)
- PUSH-BUTTON SWITCH (OPTIONAL)
- CARBON MONOXIDE DETECTOR
- SMOKE DETECTOR
- SMOKE / CARBON MONO. COMBO DETECTOR
- TELEPHONE (OPTIONAL)
- TELEVISION (OPTIONAL)
- THERMOSTAT
- ELECTRIC METER
- ELECTRIC PANEL
- DISCONNECT SWITCH
- SPEAKER (OPTIONAL)
- ROUGH-IN FOR OPT. CEILING FAN
- CEILING MOUNTED INCANDESCENT LIGHT FIXTURE w/ ROUGH-IN FOR OPT. CEILING FAN

NOTES:

1. PROVIDE AND INSTALL GROUND FAULT CIRCUIT INTERRUPTERS (GFI) AS INDICATED ON PLANS OR AS ITEM NO. 4 AND 5 BELOW INDICATES.
2. UNLESS OTHERWISE INDICATED, INSTALL SWITCHES AND RECEPTACLES AT THE FOLLOWING HEIGHTS ABOVE FINISHED FLOOR:
SWITCHES... 42"
OUTLETS... 14"
TELEPHONE... 34" (UNLESS ABV. COUNTERTOP)
TELEVISION... 34"
3. ALL SMOKE DETECTORS SHALL BE HARDWIRED INTO AN ELECTRICAL POWER SOURCE AND SHALL BE EQUIPPED WITH A MONITORED BATTERY BACKUP. PROVIDE AND INSTALL LOCALLY CERTIFIED SMOKE DETECTORS.
4. ALL 15A AND 20A RECEPTACLES IN SLEEPING ROOMS, FAMILY ROOMS, DINING ROOMS, LIVING ROOMS, PARLORS, LIBRARIES, DEN, SUNROOMS, RECREATION ROOMS, CLOSETS, HALLWAYS, AND SIMILAR AREAS WILL REQUIRE A COMBINATION TYPE AFCI DEVICE AND TAMPER-PROOF RECEPTACLES PER NEC 201.406.2 AND 406.3
5. ALL 15A AND 20A 120V RECEPTACLES LOCATED IN THE GARAGE AND UTILITY ROOMS SHALL BE GFCI PROTECTED (GFI).
6. IT IS THE RESPONSIBILITY OF THE LICENSED ELECTRICIAN TO ENSURE THAT ALL ELECTRICAL WORK IS IN FULL COMPLIANCE WITH NFPA 70, NEC, 201, AND ALL APPLICABLE LOCAL STANDARDS, CODES, AND ORDINANCES.
7. EVERY BUILDING HAVING A FOSSIL FUEL-BURNING HEATER OR APPLIANCE, FIREPLACE, OR AN ATTACHED GARAGE SHALL HAVE AN OPERATIONAL CARBON MONOXIDE DETECTOR INSTALLED WITHIN 10 FEET OF EACH ROOM USED FOR SLEEPING PURPOSES.
8. ALARMS SHALL RECEIVE THEIR PRIMARY POWER FROM THE BUILDING WIRING WHEN SUCH WIRING IS SERVED FROM THE LOCAL POWER UTILITY. SUCH ALARMS SHALL HAVE BATTERY BACKUP. COMBINATION SMOKE/CARBON MONOXIDE ALARMS SHALL BE LISTED OR LABELED BY A NATIONALLY RECOGNIZED TESTING LABORATORY.

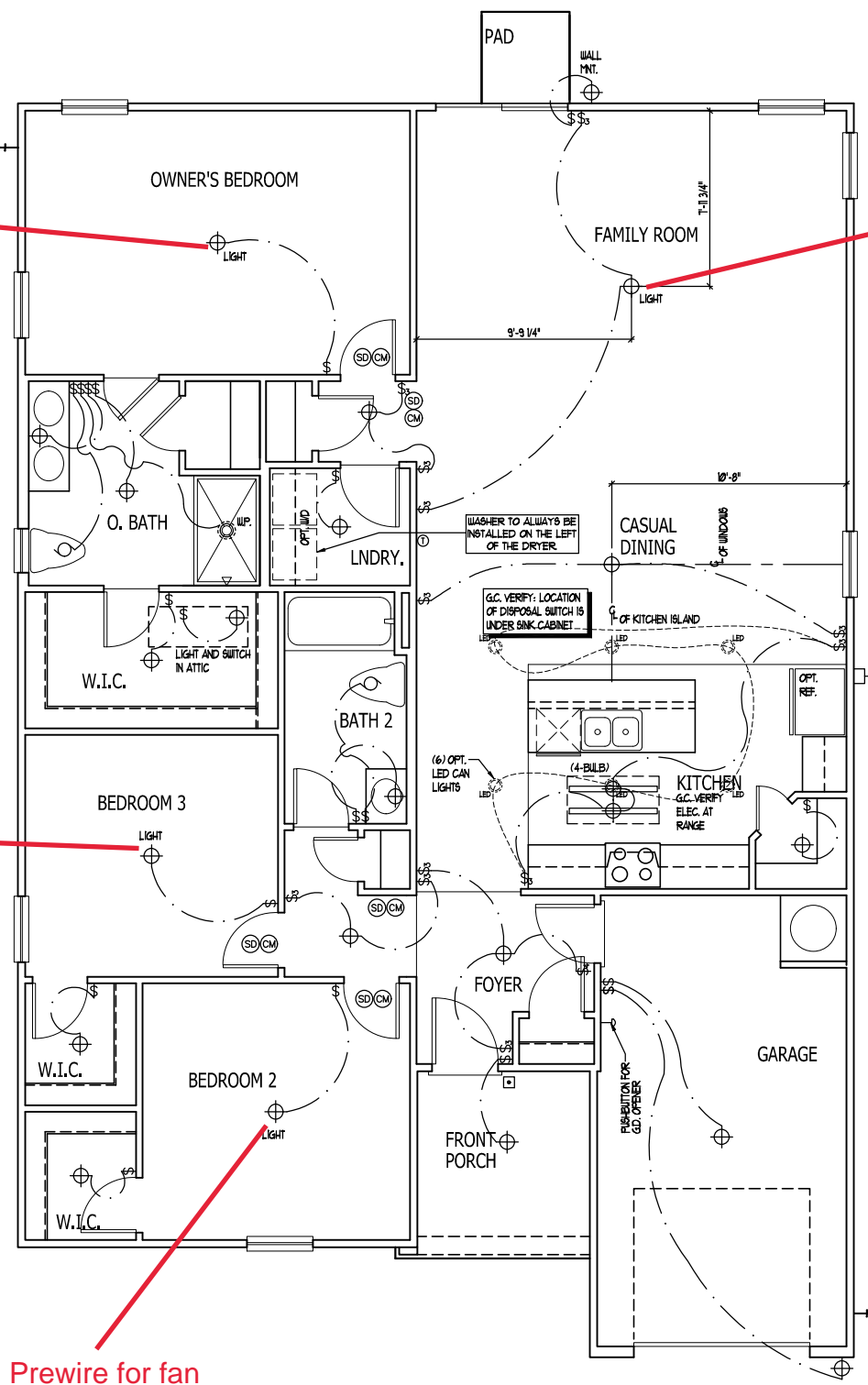
ISSUANCE OF PLANS FROM THIS DRAFTER'S OFFICE SHALL NOT RELIEVE THE BUILDER OF RESPONSIBILITY TO REVIEW AND VERIFY ALL NOTES, DIMENSIONS, AND ADHERENCE TO APPLICABLE BUILDING CODES PRIOR TO COMMENCEMENT OF ANY CONSTRUCTION.
ANY DISCREPANCY OF ERROR IN NOTES, DIMENSIONS, OR ADHERENCE TO APPLICABLE BUILDING CODES SHALL BE BROUGHT TO THE ATTENTION OF THE DRAFTER'S OFFICE FOR CORRECTION BEFORE COMMENCEMENT OF ANY CONSTRUCTION.
ANY REVISIONS OR CHANGES NOT RELATED TO THE CORRECTION OF ERRORS THAT ARE MADE AFTER THE FINAL PLANS HAVE BEEN COMPLETED SHALL BE SUBJECT TO ADDITIONAL FEES.
IF ANY MODIFICATIONS ARE MADE TO THESE PLANS BY ANY OTHER PARTY OTHER THAN THE DRAFTER'S OFFICE, THE DRAFTER SHALL NOT BE HELD RESPONSIBLE.

Fan with light kit

Fan with light kit

Prewire for fan

Prewire for fan



FLOOR PLAN
SCALE: 1/4" = 1'-0"

ELECTRICAL PLAN A
SIMILAR AT ELEVATION B

JOB NUMBER	27167.03
CAD FILE NAME	EMBARK-R
ISSUED	11-08-17
REVISED	11-12-17
	09-14-18
	02-04-20
	06-01-20
	06-08-20
	12-01-22
	12-07-22

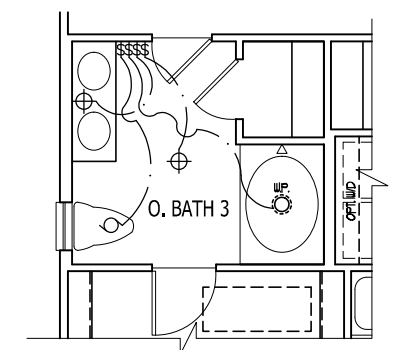
DRAWINGS ON 11"x17" SHEET ARE ONE HALF THE SCALE NOTED

EMBARK (GARAGE RIGHT)
DREAM FINDERS HOMES

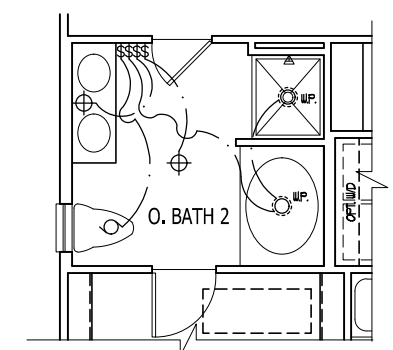
1724

TITLE
ELECTRICAL PLAN OPTIONS

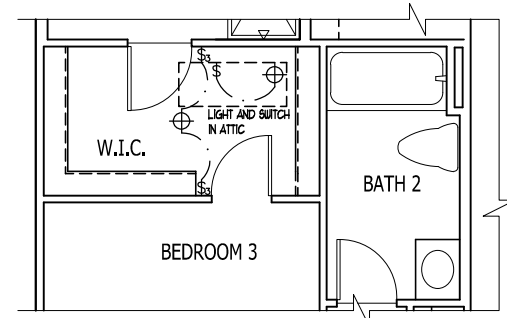
SHEET
E1.1



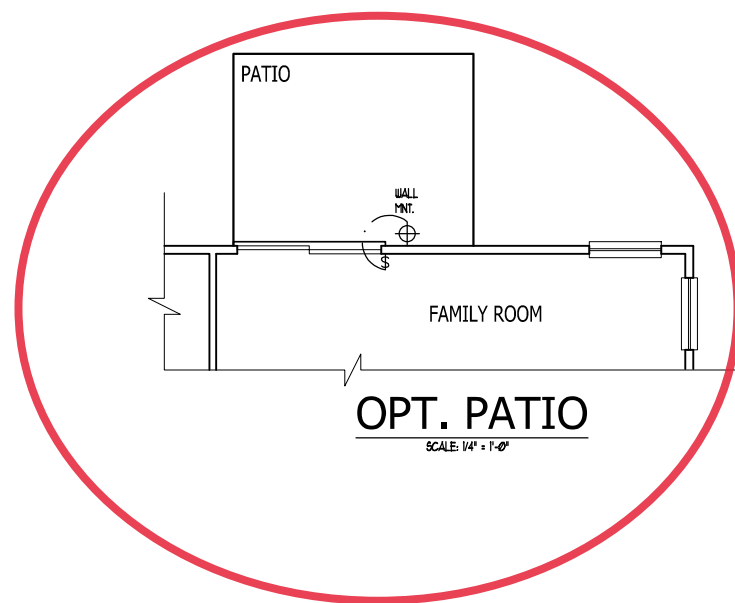
OPT. OWNER'S BATH 3
SCALE: 1/4" = 1'-0"



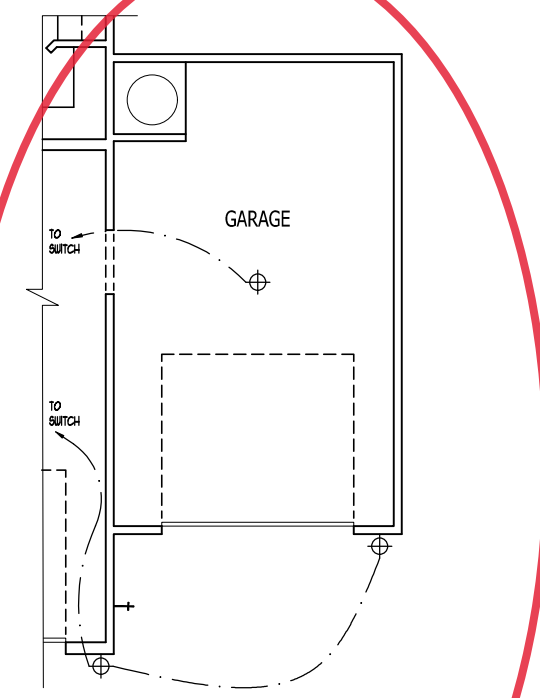
OPT. OWNER'S BATH 2
SCALE: 1/4" = 1'-0"



OPT. DOOR FROM BEDROOM 3 TO WIC
SCALE: 1/4" = 1'-0"



OPT. PATIO
SCALE: 1/4" = 1'-0"



OPT.1 CAR GARAGE
SCALE: 1/4" = 1'-0"

ELECTRICAL KEY

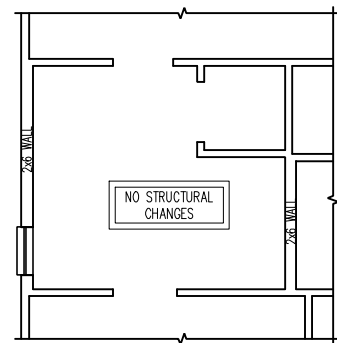
- DUPLEX CONVENIENCE OUTLET
- DUPLEX OUTLET ABOVE COUNTER
- WEATHERPROOF DUPLEX OUTLET
- GROUND FAULT INTERRUPTER DUPLEX OUTLET
- HALF-SWITCHED DUPLEX OUTLET
- SPECIAL PURPOSE OUTLET
- DUPLEX OUTLET IN FLOOR
- 220 VOLT OUTLET
- WALL SWITCH
- THREE-WAY SWITCH
- FOUR-WAY SWITCH
- DIMMER SWITCH
- CEILING MOUNTED INCANDESCENT LIGHT FIXTURE
- WALL MOUNTED INCANDESCENT LIGHT FIXTURE
- RECESSED INCANDESCENT LIGHT FIXTURE
- LED CAN LIGHT
- LIGHT FIXTURE WITH FULL CHAIN
- TRACK LIGHT
- FLUORESCENT LIGHT FIXTURE
- EXHAUST FAN
- EXHAUST FAN/LIGHT COMBINATION
- ELECTRIC DOOR OPERATOR (OPTIONAL)
- CHIMES (OPTIONAL)
- PUSH-BUTTON SWITCH (OPTIONAL)
- CARBON MONOXIDE DETECTOR
- SMOKE DETECTOR
- SMOKE / CARBON MONO. COMBO DETECTOR
- TELEPHONE (OPTIONAL)
- TELEVISION (OPTIONAL)
- THERMOSTAT
- ELECTRIC METER
- ELECTRIC PANEL
- DISCONNECT SWITCH
- SPEAKER (OPTIONAL)
- ROUGH-IN FOR OPT. CEILING FAN
- CEILING MOUNTED INCANDESCENT LIGHT FIXTURE w/ ROUGH-IN FOR OPT. CEILING FAN

- NOTES:**
- PROVIDE AND INSTALL GROUND FAULT CIRCUIT INTERRUPTERS (GFI) AS INDICATED ON PLANS OR AS ITEM NO. 4 AND 5 BELOW INDICATES.
 - UNLESS OTHERWISE INDICATED, INSTALL SWITCHES AND RECEPTACLES AT THE FOLLOWING HEIGHTS ABOVE FINISHED FLOOR:
SWITCHES... 42"
OUTLETS... 14"
TELEPHONE... 34" (UNLESS ABV COUNTERTOP)
TELEVISION... 34"
 - ALL SMOKE DETECTORS SHALL BE HARDWIRED INTO AN ELECTRICAL POWER SOURCE AND SHALL BE EQUIPPED WITH A MONITORED BATTERY BACKUP. PROVIDE AND INSTALL LOCALLY CERTIFIED SMOKE DETECTORS.
 - ALL 15A AND 20A RECEPTACLES IN SLEEPING ROOMS, FAMILY ROOMS, DINING ROOMS, LIVING ROOMS, PARLORS, LIBRARIES, DEN, SUNROOMS, RECREATION ROOMS, CLOSETS, HALLWAYS, AND SIMILAR AREAS WILL REQUIRE A COMBINATION TYPE AFCI DEVICE AND TAMPER-PROOF RECEPTACLES PER N.E.C. 2011 406.12 AND 406.13
 - ALL 15A AND 20A 120V RECEPTACLES LOCATED IN THE GARAGE AND UTILITY ROOMS SHALL BE GFCI PROTECTED (GFI).
 - IT IS THE RESPONSIBILITY OF THE LICENSED ELECTRICIAN TO ENSURE THAT ALL ELECTRICAL WORK IS IN FULL COMPLIANCE WITH N.E.P.A. 19, N.E.C. 2011, AND ALL APPLICABLE LOCAL STANDARDS, CODES, AND ORDINANCES.
 - EVERY BUILDING HAVING A FOSSIL-FUEL-BURNING HEATER OR APPLIANCE, FIREPLACE, OR AN ATTACHED GARAGE SHALL HAVE AN OPERATIONAL CARBON MONOXIDE DETECTOR INSTALLED WITHIN 10 FEET OF EACH ROOM USED FOR SLEEPING PURPOSES.
 - ALARMS SHALL RECEIVE THEIR PRIMARY POWER FROM THE BUILDING WIRING WHEN SUCH WIRING IS SERVED FROM THE LOCAL POWER UTILITY. SUCH ALARMS SHALL HAVE BATTERY BACKUP. COMBINATION SMOKE/CARBON MONOXIDE ALARMS SHALL BE LISTED OR LABELED BY A NATIONALLY RECOGNIZED TESTING LABORATORY.

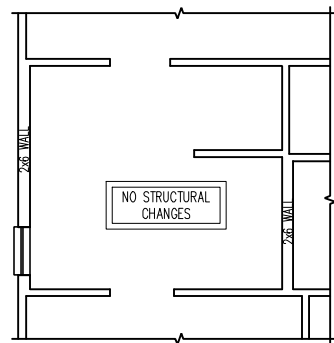
ISSUANCE OF PLANS FROM THIS DRAFTER'S OFFICE SHALL NOT RELIEVE THE BUILDER OF RESPONSIBILITY TO REVIEW AND VERIFY ALL NOTES, DIMENSIONS, AND ADHERENCE TO APPLICABLE BUILDING CODES PRIOR TO COMMENCEMENT OF ANY CONSTRUCTION.
ANY DISCREPANCY OF ERROR IN NOTES, DIMENSIONS, OR ADHERENCE TO APPLICABLE BUILDING CODES SHALL BE BROUGHT TO THE ATTENTION OF THE DRAFTER'S OFFICE FOR CORRECTION BEFORE COMMENCEMENT OF ANY CONSTRUCTION.
ANY REVISIONS OR CHANGES, NOT RELATED TO THE CORRECTION OF ERRORS THAT ARE MADE AFTER THE FINAL PLANS HAVE BEEN COMPLETED SHALL BE SUBJECT TO ADDITIONAL FEES.
IF ANY MODIFICATIONS ARE MADE TO THESE PLANS BY ANY OTHER PARTY OTHER THAN THE DRAFTER'S OFFICE, THE DRAFTER SHALL NOT BE HELD RESPONSIBLE.



12/14/2022



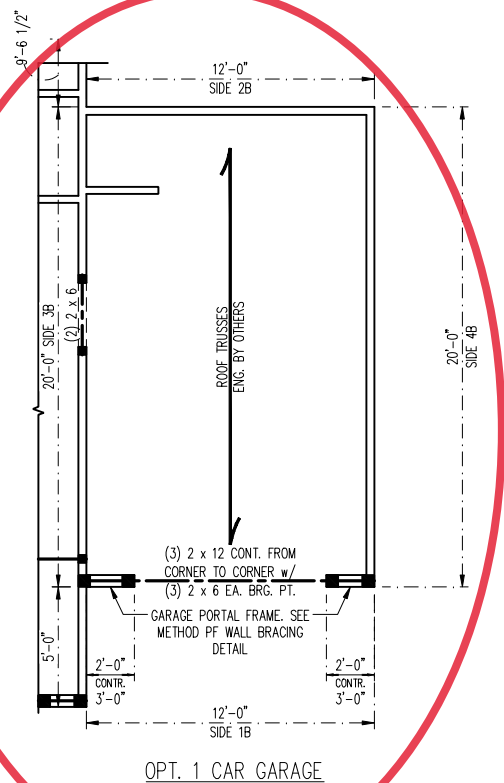
OPT. OWNER'S BATH 3



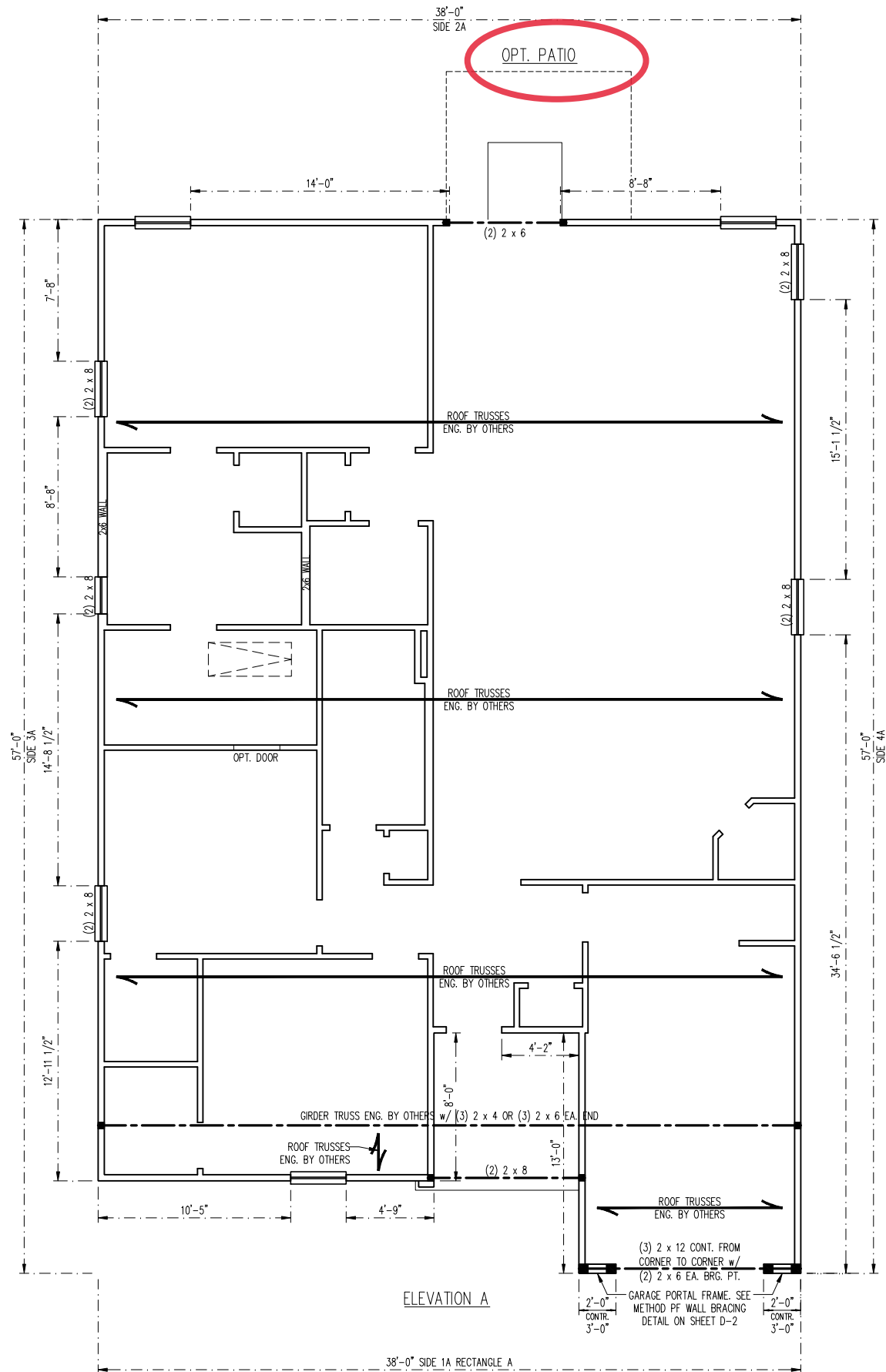
OPT. OWNER'S BATH 2

LEGEND	
CONT	CONTINUOUS
XJ	EXTRA JOIST
DJ	DOUBLE JOIST
TJ	TRIPLE JOIST
EA	EACH
()	NUMBER OF STUDS
DSP	DOUBLE STUD POCKET
TSP	TRIPLE STUD POCKET
OC	ON CENTER
SPF	SPRUCE PINE FIR
SYP	SOUTHERN YELLOW PINE
TRTD	PRESSURE TREATED
TYP	TYPICAL
UNO	UNLESS NOTED OTHERWISE

***NOTE:** ALL EXTERIOR WALLS AND ATTIC WALLS ARE TO BE 2 x 4 SPF #2 @ 24" O.C. 2 x 6 SPF #2 @ 24" O.C. EXTERIOR WALLS MAY BE CONSTRUCTED IN LIEU OF 2 x 4 WALLS (UNO). ALL INTERIOR LOAD BEARING AND NON-LOAD BEARING WALLS ARE TO BE 2 x 4 SPF #2 @ 24" O.C. (UNO).



OPT. 1 CAR GARAGE



ELEVATION A

SCALE NOTE:
LARGE FORMAT PRINTS ARE TO SCALE AS NOTED.
11" x 17" PRINTS ARE ONE HALF THE NOTED SCALE

BRACED WALL DESIGN NOTES:

- BRACED WALL DESIGN PER SECTION R602.10 OF THE NCR 2018 EDITION.
- CS-WSP REFERS TO "CONTINUOUS SHEATHING - WOOD STRUCTURAL PANELS" CONTRACTOR IS TO INSTALL 7/16" OSB ON ALL EXTERIOR WALLS ATTACHED w/ 8d NAILS SPACED 6" O.C. ALONG PANEL EDGES AND 12" O.C. IN THE FIELD.
- *GB REFERS TO "GYPSUM BOARD" CONTRACTOR IS TO INSTALL 1/2" (MIN.) GYPSUM WALL BOARD WHERE NOTED ON THE PLANS. FASTEN GB WITH 1 1/4" SCREWS OR 1 5/8" NAILS SPACED 7" O.C. ALONG PANEL EDGES AND IN THE FIELD INCLUDING TOP AND BOTTOM PLATES.
- BRACED WALL DESIGN APPLIED IN WIND ZONES UP TO 130 MPH. FOR HIGH WIND ZONES, BRACE WALLS ARE TO BE CONSTRUCTED IN ACCORDANCE WITH CHAPTER 45 OF THE NCR 2018 EDITION.
- SEE NOTES AND DETAIL SHEETS FOR ADDITIONAL BRACED WALL INFORMATION.

BRACED WALL DESIGN

RECTANGLE A		RECTANGLE B	
SIDE 1A	METHOD: CS-WSP/PF	SIDE 1B	METHOD: PF
TOTAL REQUIRED LENGTH: 12.76'	TOTAL PROVIDED LENGTH: 25.33'	TOTAL REQUIRED LENGTH: 4.8'	TOTAL PROVIDED LENGTH: 6'
SIDE 2A	METHOD: CS-WSP	SIDE 2B	METHOD: CS-WSP
TOTAL REQUIRED LENGTH: 12.76'	TOTAL PROVIDED LENGTH: 16.67'	TOTAL REQUIRED LENGTH: 4.8'	TOTAL PROVIDED LENGTH: 12'
SIDE 3A	METHOD: CS-WSP	SIDE 3B/4A COMBINED	METHOD: CS-WSP
TOTAL REQUIRED LENGTH: 8.74'	TOTAL PROVIDED LENGTH: 57'	TOTAL REQUIRED LENGTH: 12.1'	TOTAL PROVIDED LENGTH: 26.67'
SIDE 4A	METHOD: CS-WSP	SIDE 4B	METHOD: CS-WSP
TOTAL REQUIRED LENGTH: 8.74'	TOTAL PROVIDED LENGTH: 59.67'	TOTAL REQUIRED LENGTH: 3.36'	TOTAL PROVIDED LENGTH: 16'

STRUCTURAL NOTES:

- ALL FRAMING LUMBER TO BE SPF #2 (UNO). ALL TREATED LUMBER TO BE SYP #2 (UNO).
- ALL LOAD BEARING HEADERS TO BE (2) 2 x 6 (UNO).
- WINDOW AND DOOR HEADERS TO BE SUPPORTED w/ (1) JACK STUD AND (1) KING STUD EA. END (UNO.). SEE TABLE R602.7.5 FOR ADDITIONAL KING STUD REQUIREMENTS.
- SQUARES DENOTE POINT LOADS WHICH REQUIRE SOLID BLOCKING TO GIRDER OR FOUNDATION. ALL SQUARES TO BE (2) STUDS (UNO.).
- FOR HIGH WIND ZONES, ALL EXTERIOR WALLS TO BE SHEATHED WITH 7/16" OSB SHEATHING WITH JOINTS BLOCKED AND SECURED WITH 8d NAILS AT 3" O.C. ALONG EDGES AND 6" O.C. IN THE FIELD.
- FOR HIGH WIND ZONES, SECURE ALL EXTERIOR WALL SHEATHING PANELS TO DOUBLE TOP PLATES, BANDS, JOISTS, AND GRIDDERS WITH (2) ROWS OF 8d NAILS STAGGERED AT 3" O.C. PANELS SHALL EXTEND 12" BEYOND CONSTRUCTION JOINTS AND SHALL OVERLAP GRIDDERS AND DOUBLE SILL PLATES THEIR FULL DEPTH.
- ALL 4 x 4 POSTS SHALL BE ANCHORED TO SLABS w/ SIMPSON ABU44 POST BASES (OR EQUAL) AND 6 x 6 POSTS w/ ABU66 POST BASES (OR EQUAL) (UNO). ALL 4 x 4 AND 6 x 6 POSTS TO BE INSTALLED WITH 700 LB CAPACITY UPLIFT CONNECTORS AT TOP (UNO).
- FOR FIBERGLASS, ALUMINUM, OR COLUMN ENG. BY OTHERS, SECURE TO SLAB w/ (2) METAL ANGLES USING 2" CONC. SCREWS. FASTEN ANGLES TO COLUMNS w/ 1/4" THROUGH BOLTS w/ NUTS AND WASHERS. LOCATE ANGLES ON OPPOSITE SIDES OF COLUMN. THROUGH BOLTS MUST BE INSTALLED PRIOR TO SETTING COLUMN.
- REFER TO NOTES AND DETAIL SHEETS FOR ADDITIONAL STRUCTURAL INFORMATION.

TABLE R602.7.5
MINIMUM NUMBER OF FULL HEIGHT KING STUDS AT EACH END OF HEADERS IN EXTERIOR WALLS

HEADER SPAN (FEET)	MINIMUM NUMBER OF FULL HEIGHT STUDS (KINGS)
UP TO 3'	1
> 3' TO 6'	2
> 6' TO 9'	3
> 9' TO 12'	4
> 12' TO 15'	5

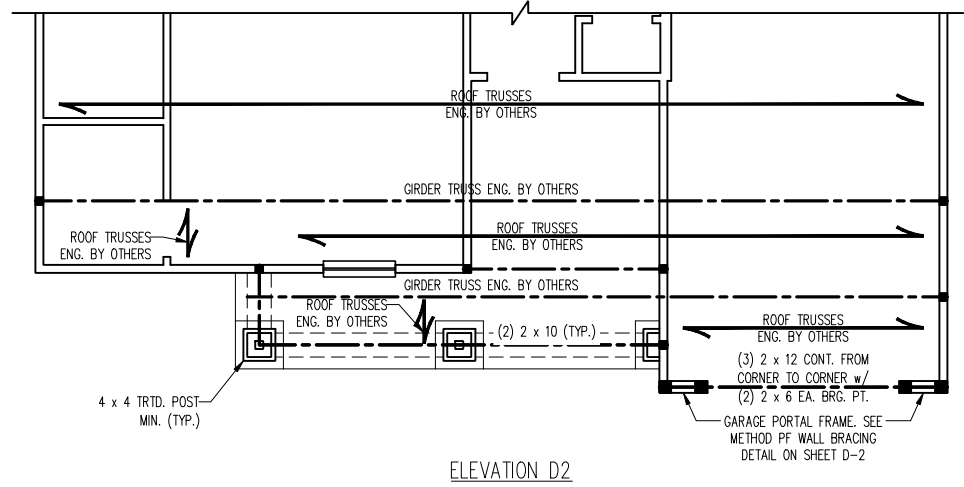
J.S. THOMPSON ENGINEERING, INC
33 EAST SIX FORKS ROAD, SUITE 180 RALEIGH, NC 27609
PHONE: (919) 7899919 FAX: (919) 7899921
N.C. LICENSE NO.: C-1733

EMBARK DREAM FINDERS HOMES

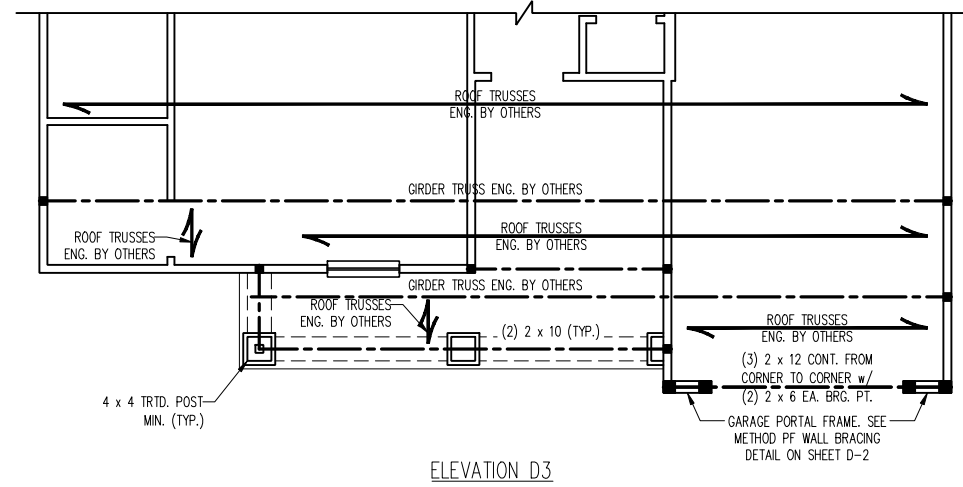
DATE: DECEMBER 14, 2022
SCALE: 1/4" = 1'-0"
DRAWN BY: DAVIS BEWS DESIGN CO.
ENGINEERED BY: WFB

S-2a
ATTIC FLOOR FRAMING PLAN

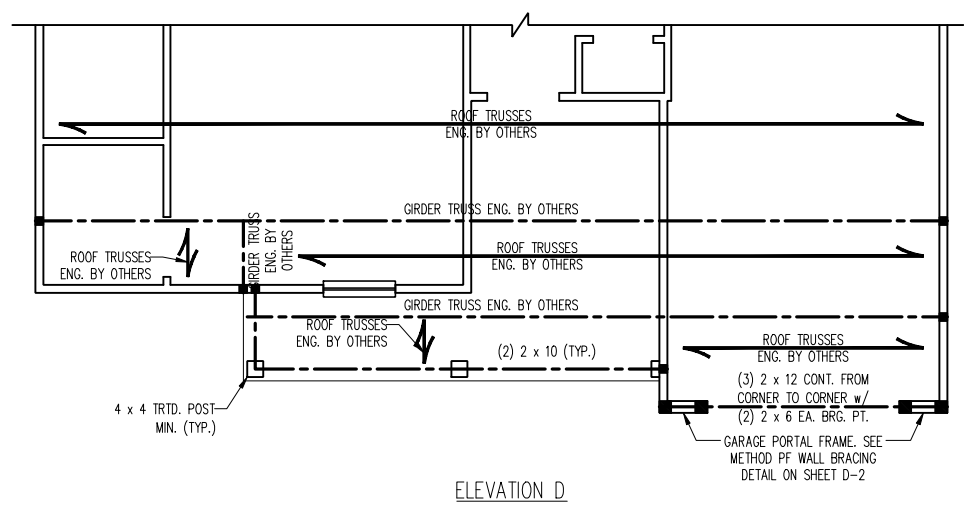
SCALE NOTE:
 LARGE FORMAT PRINTS ARE TO SCALE AS NOTED.
 11" x 17" PRINTS ARE ONE HALF THE NOTED SCALE



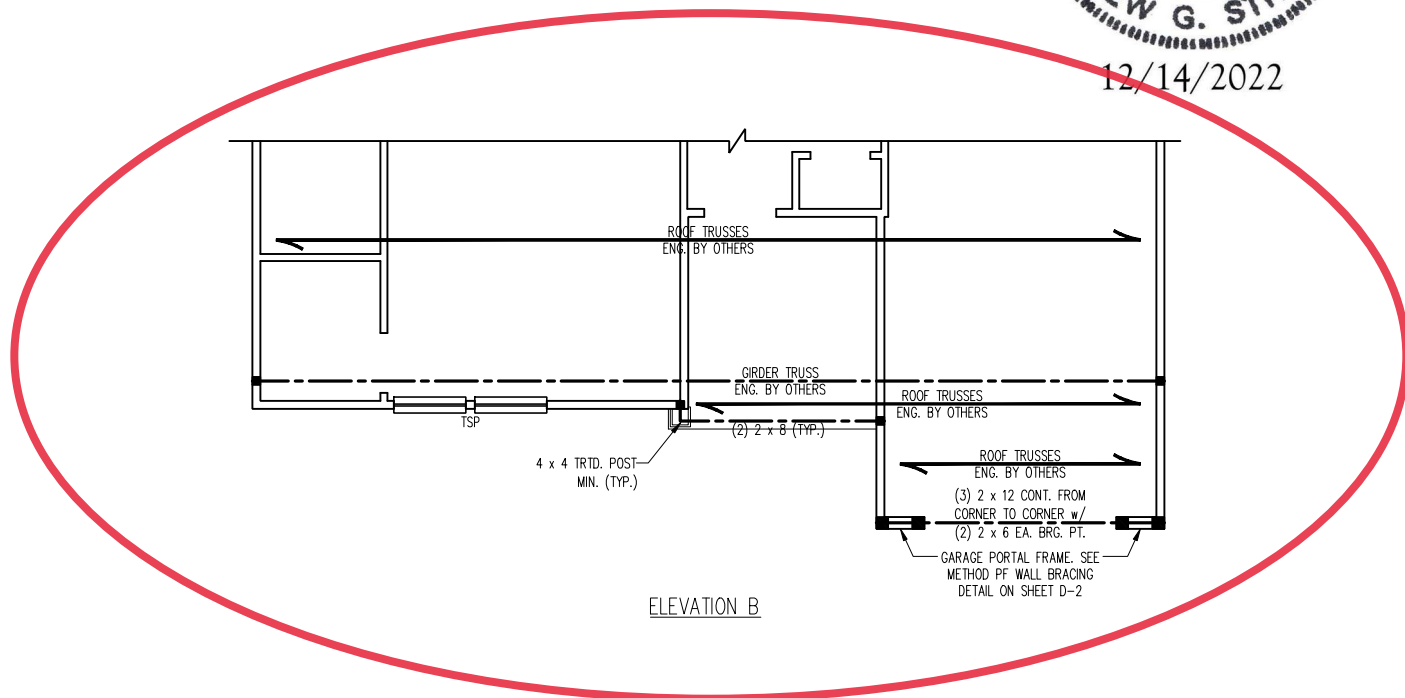
ELEVATION D2



ELEVATION D3



ELEVATION D



ELEVATION B

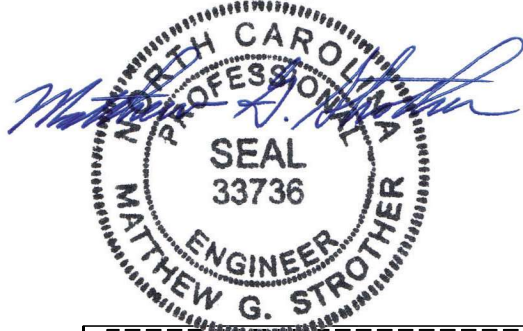
NORTH CAROLINA
 PROFESSIONAL
 SEAL
 33736
 ENGINEER
 MATTHEW G. STROTHER
 12/14/2022

J.S. THOMPSON
ENGINEERING, INC
 33 EAST SIX FORKS ROAD, SUITE 180 RALEIGH, NC 27609
 PHONE: (919) 7899919 FAX: (919) 7899921
 N.C. LICENSE NO.: C-1733

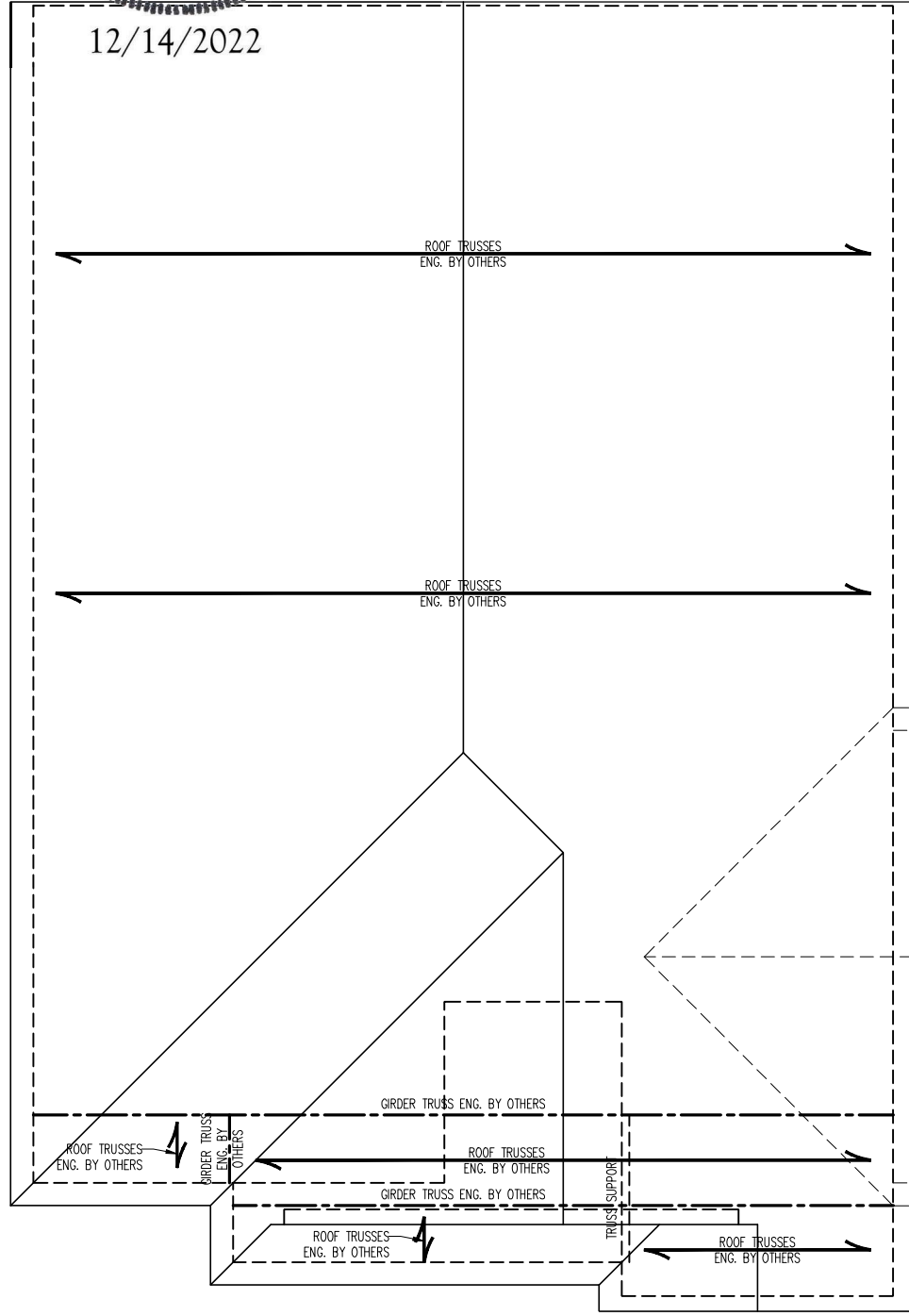
EMBARK
 DREAM FINDERS HOMES

DATE: DECEMBER 14, 2022
 SCALE: 1/4" = 1'-0"
 DRAWN BY: DAVIS BEWS DESIGN CO.
 ENGINEERED BY: WFB

S-2b
 ATTIC FLOOR
 FRAMING PLAN



12/14/2022

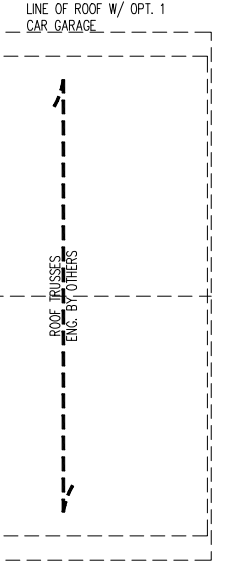


ELEVATIONS D, D2 & D3

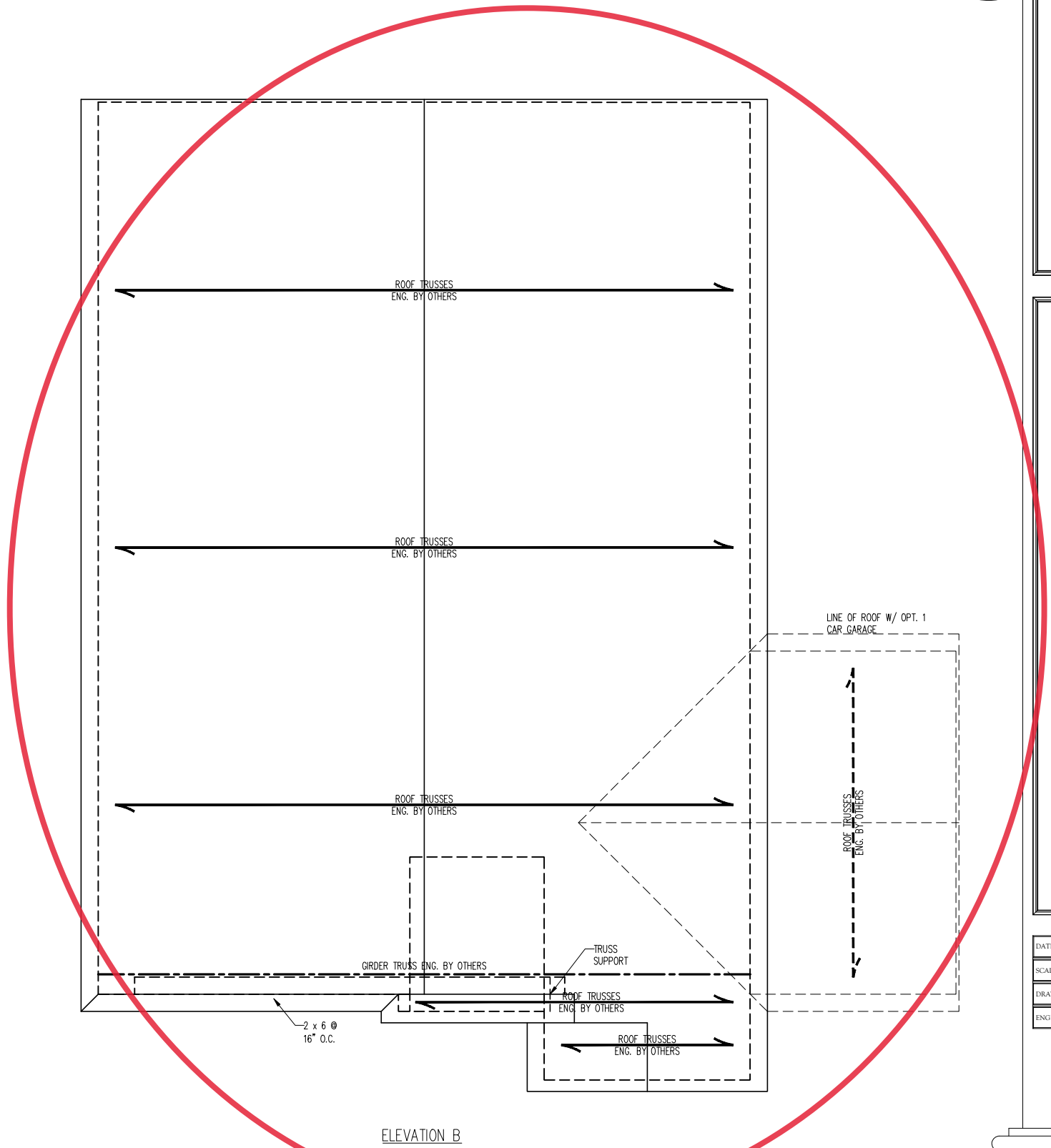
- STRUCTURAL NOTES:**
1. ALL FRAMING LUMBER TO BE #2 SPF (UNO).
 2. CIRCLES DENOTE (3) 2 x 4 POSTS FOR ROOF SUPPORT.
 3. FRAME DORMER WALLS ON TOP OF DOUBLE OR TRIPLE RAFTERS.
 4. HIP SPICES ARE TO BE SPACED A MIN. OF 8'-0". FASTEN MEMBERS WITH THREE ROWS OF 12d NAILS @ 16" O.C. (TYP.)
 5. STICK FRAME OVER-FRAMED ROOF SECTIONS W/ 2 x 8 RIDGES, 2 x 6 RAFTERS @ 16" O.C. AND FLAT 2 x 10 VALLEYS OR USE VALLEY TRUSSES.
 6. FASTEN FLAT VALLEYS TO RAFTERS OR TRUSSES WITH SIMPSON H2.5A HURRICANE TIES @ 32" O.C. MAX. PASS HURRICANE TIES THROUGH NOTCH IN ROOF SHEATHING. EACH RAFTER IS TO BE FASTENED TO THE FLAT VALLEY WITH A MIN. OF (6) 12d TOE NAILS.
 7. REFER TO SECTION R802.11 OF THE 2018 NRC FOR REQUIRED UPLIFT RESISTANCE AT RAFTERS AND TRUSSES.
 8. REFER TO NOTES AND DETAIL SHEETS FOR ADDITIONAL STRUCTURAL INFORMATION.

LEGEND

XT	EXTRA TRUSS
TS	TRUSS SUPPORT
XR	EXTRA RAFTER
RS	RAFTER SUPPORT
CONT	CONTINUOUS
EA	EACH
OC	ON CENTER
SPF	SPRUCE PINE FIR
SYP	SOUTHERN YELLOW PINE
TYP	TYPICAL
UNO	UNLESS NOTED OTHERWISE



SCALE NOTE:
LARGE FORMAT PRINTS ARE TO SCALE AS NOTED.
11" x 17" PRINTS ARE ONE HALF THE NOTED SCALE



ELEVATION B

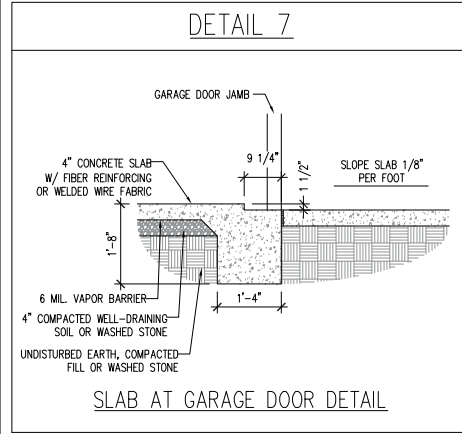
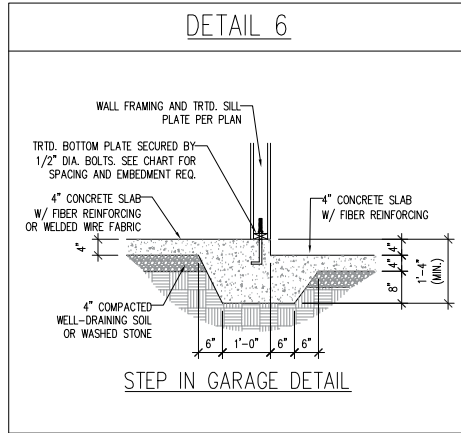
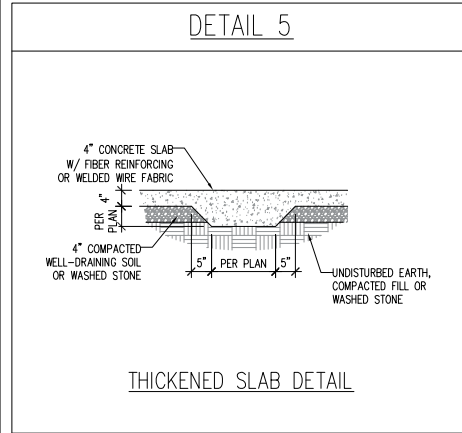
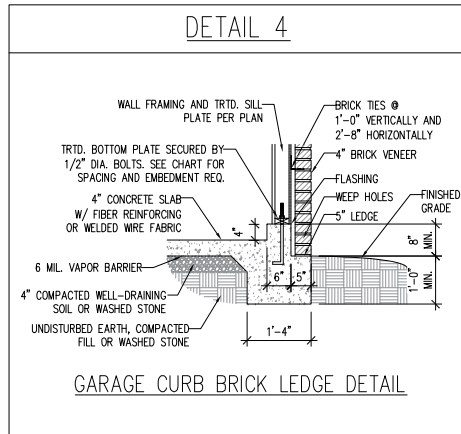
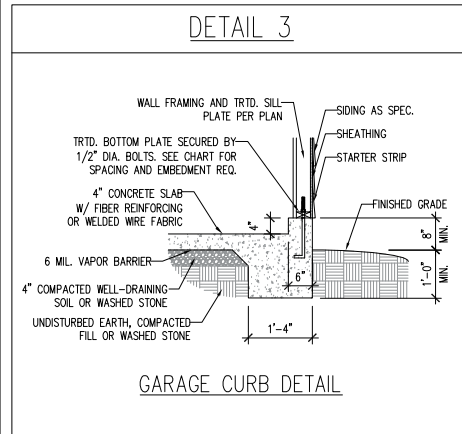
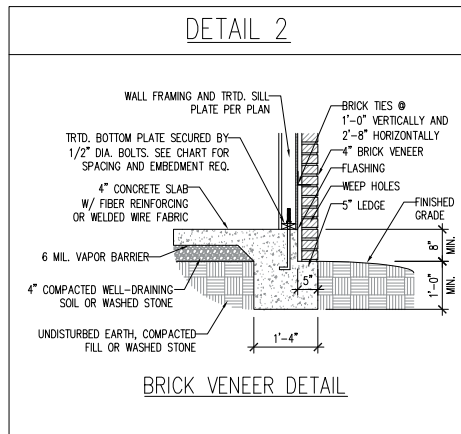
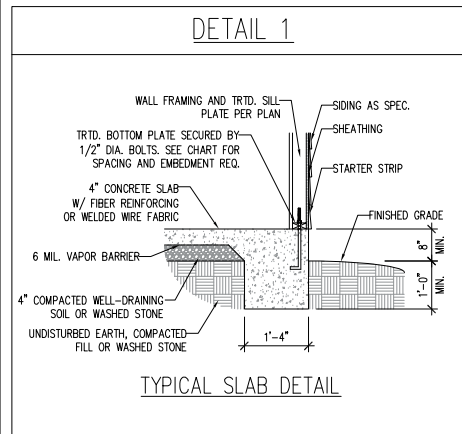
J.S. THOMPSON ENGINEERING, INC
33 EAST SIX FORKS ROAD, SUITE 180 RALEIGH, NC 27609
PHONE: (919) 7899919 FAX: (919) 7899921
N.C. LICENSE NO.: C-1733

EMBARK
DREAM FINDERS HOMES

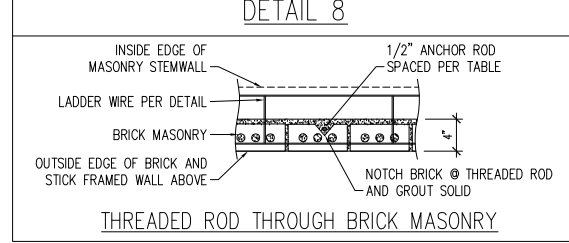
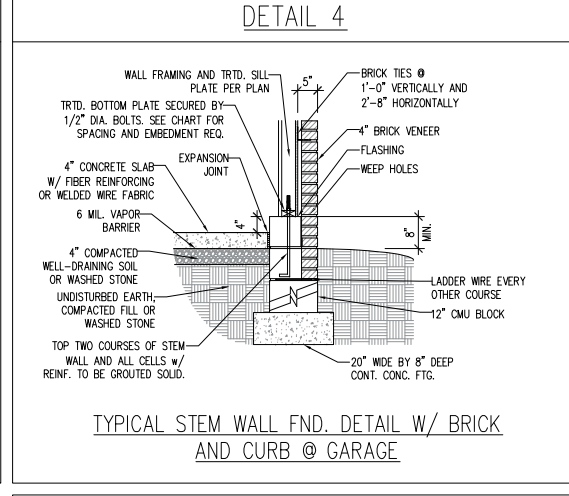
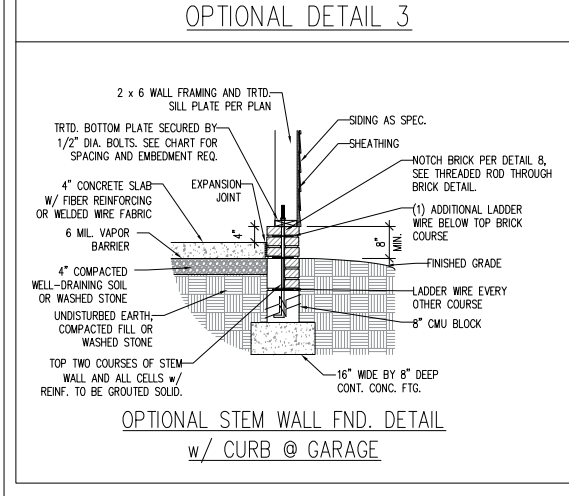
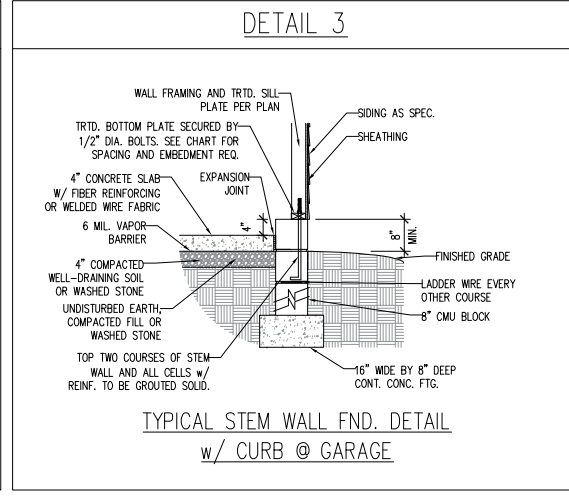
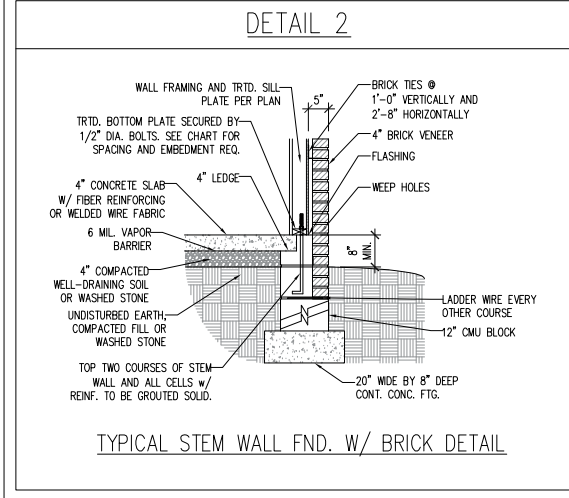
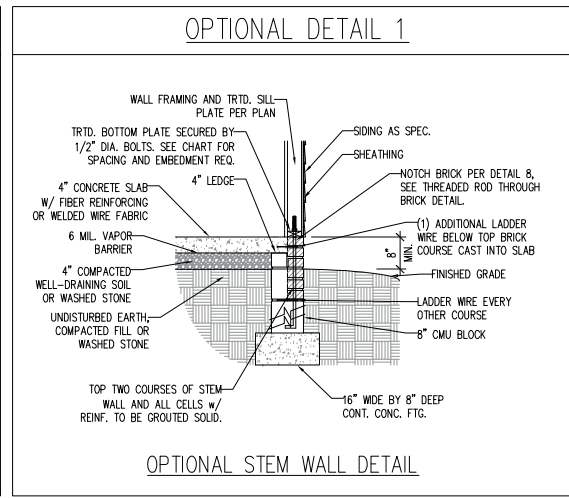
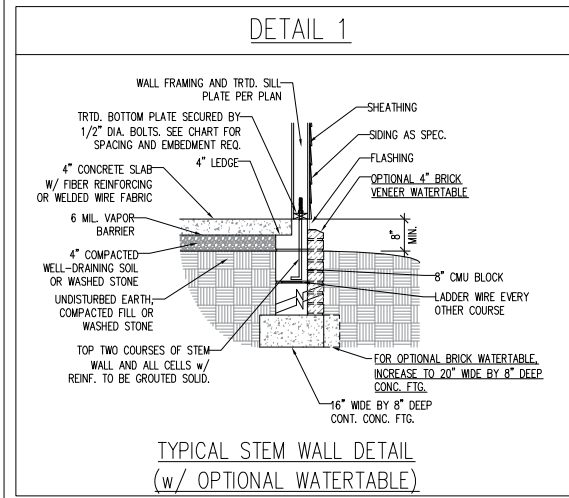
DATE: DECEMBER 14, 2022
SCALE: 1/4" = 1'-0"
DRAWN BY: DAVIS BEWS DESIGN CO.
ENGINEERED BY: WFB

S-3b
ROOF FRAMING PLAN

MONOLITHIC SLAB DETAILS



STEM WALL DETAILS



MASONRY STEM WALL SPECIFICATIONS

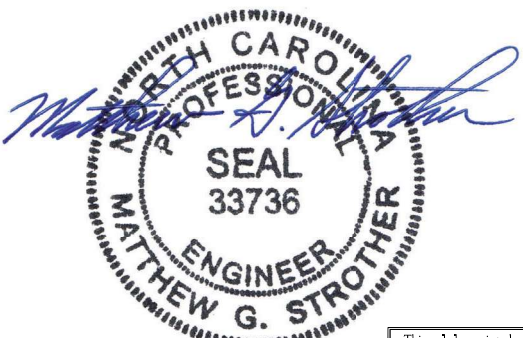
WALL HEIGHT (FEET)	MASONRY WALL TYPE			
	8" CMU	4" BRICK AND 4" CMU	4" BRICK AND 8" CMU	12" CMU
2 AND BELOW	UNGROUTED	GROUT SOLID	UNGROUTED	UNGROUTED
3	UNGROUTED	GROUT SOLID	UNGROUTED	UNGROUTED
4	GROUT SOLID	GROUT SOLID w/ #4 REBAR @ 48" O.C.	GROUT SOLID	GROUT SOLID w/ #4 REBAR @ 64" O.C.
5	GROUT SOLID w/ #4 REBAR @ 36" O.C.	NOT APPLICABLE	GROUT SOLID w/ #4 REBAR @ 36" O.C.	GROUT SOLID w/ #4 REBAR @ 64" O.C.
6	GROUT SOLID w/ #4 REBAR @ 24" O.C.	NOT APPLICABLE	GROUT SOLID w/ #4 REBAR @ 24" O.C.	GROUT SOLID w/ #4 REBAR @ 64" O.C.
7 AND GREATER	ENGINEERED DESIGN BASED ON SITE CONDITIONS			

- STRUCTURAL NOTES:
1. WALL HEIGHT MEASURED FROM TOP OF FOOTING TO TOP OF THE WALL.
 2. THE MULTIPLE WYTHES TOGETHER WITH LADDER WIRE AT 16" O.C. VERTICALLY.
 3. CHART APPLICABLE FOR HOUSE FOUNDATION ONLY. CONSULT ENGINEER FOR DESIGN OF GARAGE FOUNDATION NOT COMMON TO HOUSE.
 4. BACKFILL OF CLEAN #57 / #67 WASHED STONE IS ALLOWABLE.
 5. BACKFILL OF WELL DRAINED OR SAND - GRAVEL MIXTURE SOILS (45 PSF/FT BELOW GRADE) CLASSIFIED AS GROUP 1 ACCORDING TO UNIFIED SOILS CLASSIFICATION SYSTEM IN ACCORDANCE WITH TABLE R405.1 OF THE 2018 INTERNATIONAL RESIDENTIAL CODE ARE ALLOWABLE.
 6. PREP SLAB PER R506.2.1 AND R506.2.2 BASE OF THE 2018 INTERNATIONAL RESIDENTIAL CODE.
 7. MINIMUM 24" LAP SPLICE LENGTH.
 8. LOCATE REBAR IN CENTER OF FOUNDATION WALL.
 9. WHERE REQUIRED, FILL BLOCK SOLID WITH TYPE "S" MORTAR OR 3000 PSI GROUT. USE OF "LOW LIFT GROUTING" METHOD REQUIRED WHEN FILLING WALLS WITH GROUT AT HEIGHTS OF 5' AND GREATER.

ANCHOR SPACING AND EMBEDMENT

WIND ZONE	120 MPH	130 MPH
SPACING	6'-0" O.C. INSTALL MIN. (2) ANCHORS PER PLATE SECTION AND (1) ANCHOR WITHIN 12" OF CORNERS	4'-0" O.C. INSTALL MIN. (2) ANCHORS PER PLATE SECTION AND (1) ANCHOR WITHIN 12" OF CORNERS
EMBEDMENT	7"	15" INTO MASONRY 7" INTO CONCRETE

NOTE:
THREADED ROD WITH EPOXY, SIMPSON TITEN HD, OR APPROVED ANCHORS SPACED AS REQUIRED TO PROVIDE EQUIVALENT ANCHORAGE TO 1/2" DIAMETER ANCHOR BOLTS MAY BE USED IN LIEU OF 1/2" ANCHOR BOLTS.



12/14/2022

This sealed page is to be used in conjunction with a full plan set engineered by J.S. Thompson Engineering, Inc. only. Use of this individual sealed page within architectural pages or shop drawings by others is a punishable offense under N.C. Statute § 89C-23

J.S. THOMPSON ENGINEERING, INC.
333 EAST SIX FORKS ROAD, SUITE 180 RALEIGH, NC 27609
PHONE: (919) 789-9919 FAX: (919) 789-9921
N.C. LICENSE NO.: C-1713

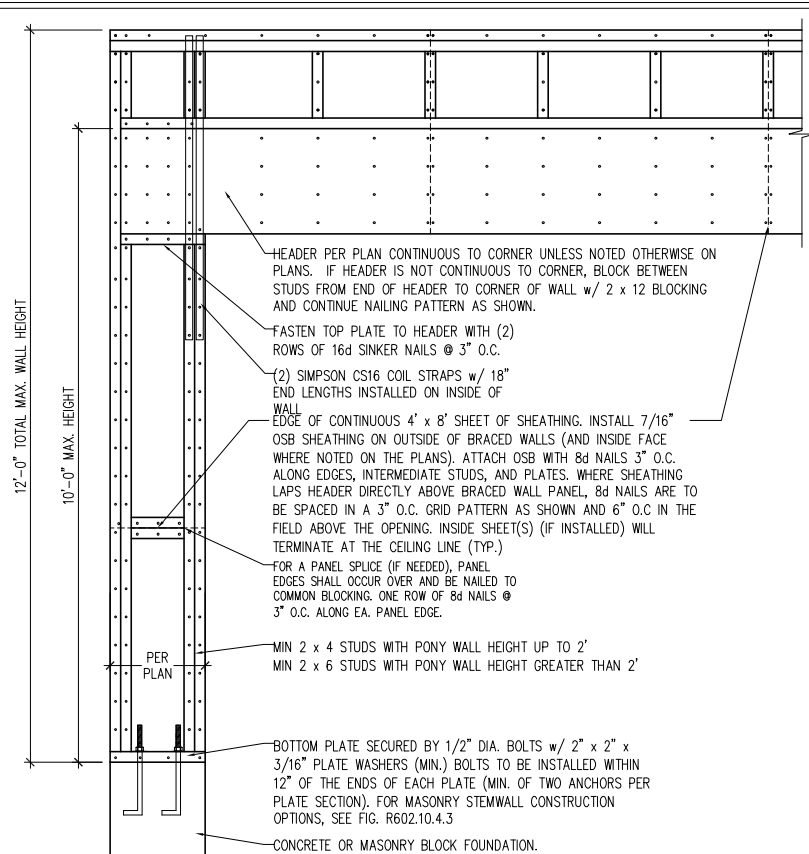
120 MPH - 130 MPH ULTIMATE DESIGN WIND SPEED
FOUNDATION DETAILS
DREAM FINDERS HOMES

DATE: NOVEMBER 28, 2022
SCALE: NTS
DRAWN BY: JST
ENGINEERED BY: JST

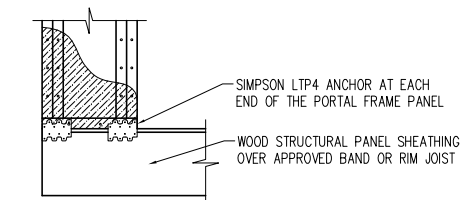
D-1
FOUNDATION DETAILS

GENERAL WALL BRACING NOTES:

1. WALL BRACING DESIGNED IN ACCORDANCE WITH CHAPTER 6 OF THE 2018 NC RESIDENTIAL BUILDING CODE (NRC). TABLES AND FIGURES REFERENCED ARE FROM THE 2018 NRC.
2. SEE THIS SHEET FOR GENERAL DETAILS. REFER TO THE 2018 NRC FOR ADDITIONAL INFORMATION AS NEEDED.
3. BRACED EXTERIOR WALLS SUPPORTING ROOF TRUSSES AND RAFTERS, INCLUDING STORIES BELOW THE TOP FLOOR, HAVE BEEN DESIGNED PER R602.3.5 (3). WALL SHEATHING AND FASTENERS HAVE BEEN DESIGNED TO RESIST COMBINED UPLIFT AND SHEAR FORCES IN ACCORDANCE WITH ACCEPTED ENGINEERED PRACTICE.
4. SEE STRUCTURAL SHEETS FOR BRACED WALL LOCATIONS, DIMENSIONS, HOLD DOWN TYPE AND LOCATIONS, BRACED WALL LINE KEY WITH WALL DESIGN SUMMARY OF REQUIRED/PROVIDED TOTALS FOR EACH WALL LINE AND ANY SPECIAL NOTES OR REQUIREMENTS.
5. ALL EXTERIOR WALLS ARE TO BE SHEATHED WITH CS-WSP IN ACCORDANCE WITH SECTION R602.10.3 UNLESS NOTED OTHERWISE.
6. ALL EXTERIOR AND INTERIOR WALLS TO HAVE 1/2" GYPSUM INSTALLED. WHEN NOT USING METHOD "GB", GYPSUM TO BE FASTENED PER TABLE R702.3.5. METHOD GB TO BE FASTENED PER TABLE R602.10.1
7. CS-WSP REFERS TO THE "CONTINUOUS SHEATHING - WOOD STRUCTURAL PANELS" WALL BRACING METHOD. 7/16" OSB SHEATHING IS TO BE INSTALLED ON ALL EXTERIOR WALLS ATTACHED w/ 6d COMMON NAILS OR 8d (2 1/2" LONG x 0.113" DIAMETER) NAILS SPACED 6" O.C. ALONG PANEL EDGES AND 12" O.C. IN THE FIELD (U.N.O.).
8. GB REFERS TO THE "GYPSUM BOARD" WALL BRACING METHOD. 1/2" (MIN.) GYPSUM WALL BOARD IS TO BE INSTALLED ON BOTH SIDES OF THE BRACED WALL FASTENED WITH 1 1/4" SCREWS OR 1 5/8" NAILS SPACED 7" O.C. ALONG PANEL EDGES INCLUDING TOP AND BOTTOM PLATES AND INTERMEDIATE SUPPORTS (U.N.O.). VERIFY ALL FASTENER OPTIONS FOR 1/2" AND 5/8" GYPSUM PRIOR TO CONSTRUCTION. FOR INTERIOR FASTENER OPTIONS SEE TABLE R702.3.5. FOR EXTERIOR FASTENER OPTIONS SEE TABLE R602.3(1). EXTERIOR GB TO BE INSTALLED VERTICALLY.
9. REQUIRED BRACED WALL LENGTH FOR EACH SIDE OF THE CIRCUMSCRIBED RECTANGLE ARE INTERPOLATED PER TABLE R602.10.3. METHOD CS-WSP CONTRIBUTES ITS ACTUAL LENGTH, METHOD GB CONTRIBUTES .5 ITS ACTUAL LENGTH, AND METHOD PF CONTRIBUTES 1.5 TIMES ITS ACTUAL LENGTH.

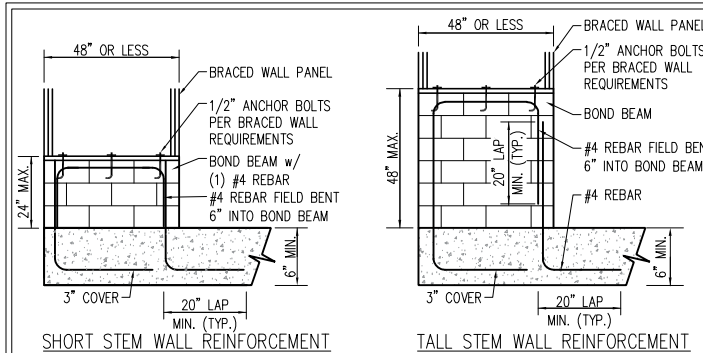


OVER CONCRETE OR MASONRY BLOCK FOUNDATION

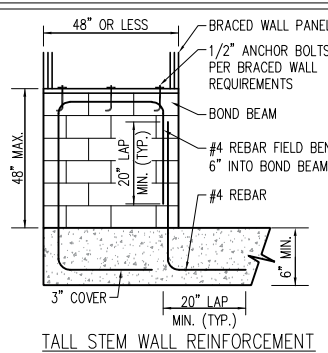


OVER RAISED WOOD FLOOR - FRAMING ANCHOR OPTION
* APPLICABLE w/ GREATER THAN 12" KNEE WALL HEIGHTS IN CRAWL SPACE AND ABOVE FRAMED BASEMENT WALLS *

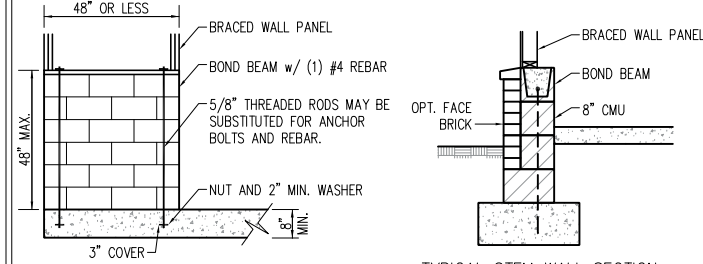
METHOD PF-PORTAL FRAME DETAIL ①



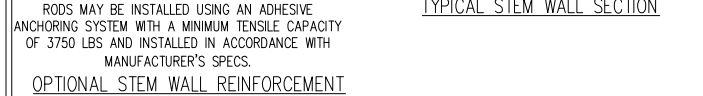
SHORT STEM WALL REINFORCEMENT



TALL STEM WALL REINFORCEMENT



TYPICAL STEM WALL SECTION

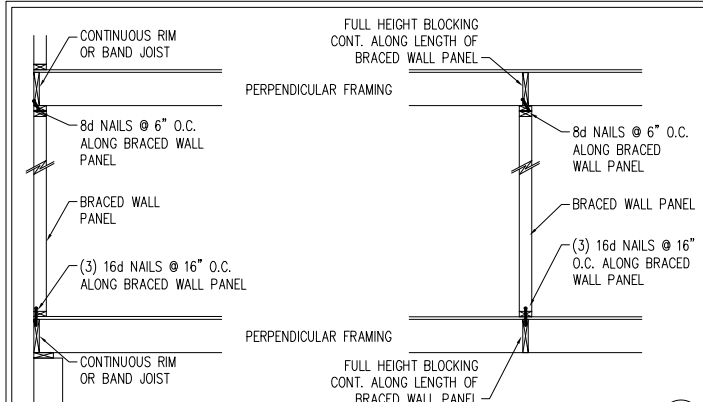


OPTIONAL STEM WALL REINFORCEMENT

NOTE: GROUT BOND BEAMS AND ALL CELLS WHICH CONTAIN REBAR, THREADED RODS AND ANCHOR BOLTS

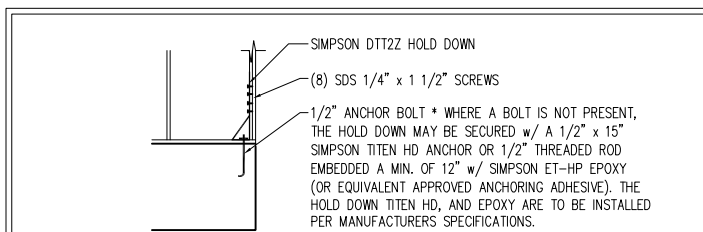
MASONRY STEM WALLS SUPPORTING BRACED WALL PANELS ②

PER FIGURE R602.10.4.3



BRACED WALL PANEL CONNECTION WHEN PERPENDICULAR TO FLOOR/CEILING FRAMING ③

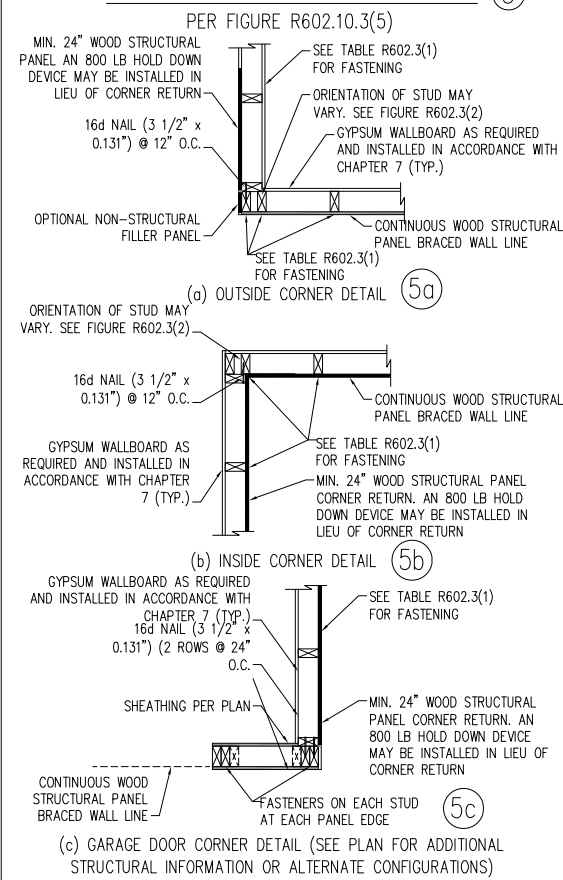
PER FIGURE R602.10.4.4(1)



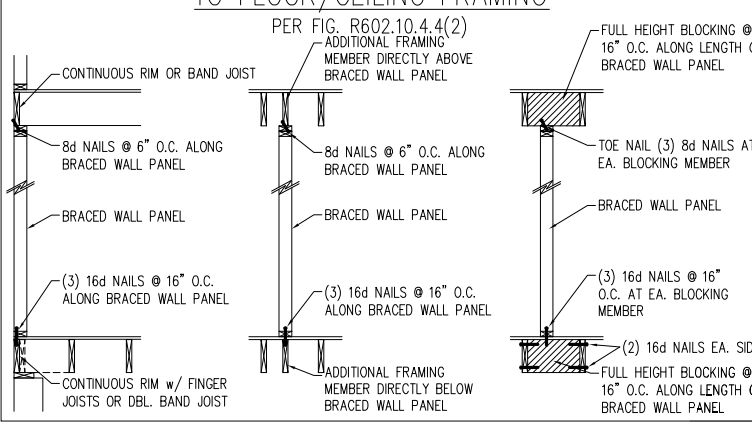
HOLD DOWN DETAIL FOR MASONRY FOUNDATION OR MONOLITHIC SLAB ④

* APPLICABLE ONLY WHERE SPECIFIED ON PLAN *

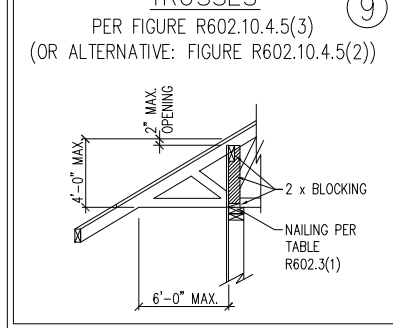
TYPICAL EXTERIOR CORNER FRAMING FOR CONTINUOUS SHEATHING ⑤



BRACED WALL PANEL CONNECTION WHEN PARALLEL TO FLOOR/CEILING FRAMING ⑥

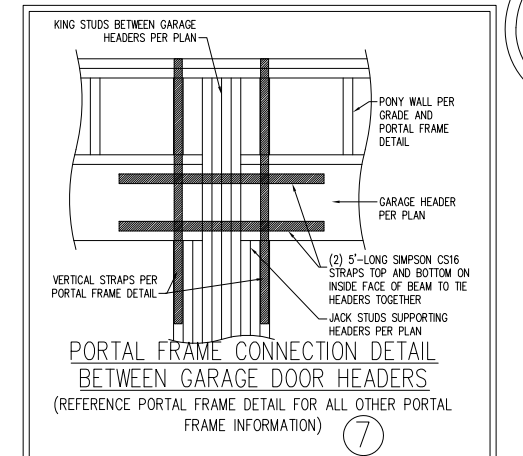


BRACED WALL PANEL CONNECTION TO PERPENDICULAR ROOF TRUSSES ⑨

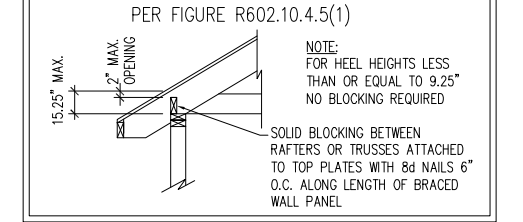


PER FIGURE R602.10.4.5(3) (OR ALTERNATIVE: FIGURE R602.10.4.5(2))

SCALE NOTE:
LARGE FORMAT PRINTS ARE TO SCALE AS NOTED.
11" x 17" PRINTS ARE ONE HALF THE NOTED SCALE.

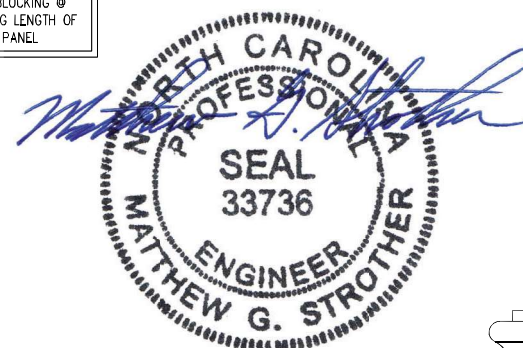


BRACED WALL PANEL CONNECTION TO PERPENDICULAR RAFTERS ⑧



PER FIGURE R602.10.4.5(1)

NOTE:
FOR HEEL HEIGHTS LESS THAN OR EQUAL TO 9.25' NO BLOCKING REQUIRED
SOLID BLOCKING BETWEEN RAFTERS OR TRUSSES ATTACHED TO TOP PLATES WITH 8d NAILS 6" O.C. ALONG LENGTH OF BRACED WALL PANEL



12/14/2022

J.S. THOMPSON ENGINEERING, INC
331 EAST SIX FORKS ROAD, SUITE 100, RALEIGH, NC 27601
PHONE: (919) 799-9119 FAX: (919) 799-9121
N.C. LICENSE NO. 01733

120 MPH - 130 MPH ULTIMATE DESIGN WIND SPEED
WALL BRACING NOTES AND DETAILS
DREAM FINDERS HOMES

DATE: NOVEMBER 28, 2022
SCALE: 1/4" = 1'-0"
DRAWN BY: JST
ENGINEERED BY: JST

D-2
BRACED WALL NOTES AND DETAILS AND PF DETAIL

This sealed page is to be used in conjunction with a full plan set engineered by J.S. Thompson Engineering, Inc. only. Use of this individual sealed page within architectural pages or shop drawings by others is a punishable offense under N.C. Statute § 89C-23

SCALE NOTE:
LARGE FORMAT PRINTS ARE TO SCALE AS NOTED.
11" x 17" PRINTS ARE ONE HALF THE NOTED SCALE

GENERAL NOTES

- ENGINEER'S SEAL APPLIES ONLY TO STRUCTURAL COMPONENTS INCLUDING ROOF RAFTERS, HIPS, VALLEYS, RIDGES, FLOORS, WALLS, BEAMS, HEADERS, COLUMNS, CANTILEVERS, OFFSET LOAD BEARING WALLS, PIERS, GIRDER SYSTEM AND FOOTING. ENGINEER'S SEAL DOES NOT CERTIFY DIMENSIONAL ACCURACY OF ARCHITECTURAL LAYOUT INCLUDING ROOF. ENGINEER'S SEAL DOES NOT APPLY TO I-JOIST OR FLOOR/ROOF TRUSS LAYOUT DESIGN AND ACCURACY.
- ALL CONSTRUCTION SHALL CONFORM TO THE LATEST REQUIREMENTS OF THE NORTH CAROLINA RESIDENTIAL CODE (NRCR), 2018 EDITION, PLUS ALL LOCAL CODES AND REGULATIONS. THE STRUCTURAL ENGINEER IS NOT RESPONSIBLE FOR, AND WILL NOT HAVE CONTROL OF, CONSTRUCTION MEANS, METHODS, TECHNIQUES, SEQUENCES OR PROCEDURES, OR SAFETY PRECAUTIONS AND PROGRAMS IN CONNECTION WITH THE CONSTRUCTION WORK. NOR WILL THE ENGINEER BE RESPONSIBLE FOR THE CONTRACTORS FAILURE TO CARRY OUT THE CONSTRUCTION WORK IN ACCORDANCE WITH THE CONTRACT DOCUMENTS.
- STRUCTURAL DESIGN BASED ON THE PROVISIONS OF THE NRCR, 2018 EDITION (R301.4 - R301.7)

DESIGN CRITERIA:	LIVE LOAD (PSF)	DEAD LOAD (PSF)	DEFLECTION (IN)
ATTIC WITH LIMITED STORAGE	20	10	L/240 (L/360 w/ BRITTLE FINISHES)
ATTIC WITHOUT STORAGE	10	10	L/360
DECKS	40	10	L/360
EXTERIOR BALCONIES	40	10	L/360
FIRE ESCAPES	40	10	L/360
HANDRAILS/GUARDRAILS	200	10	L/360
PASSENGER VEHICLE GARAGE	50	10	L/360
ROOMS OTHER THAN SLEEPING ROOM	40	10	L/360
SLEEPING ROOMS	30	10	L/360
STAIRS	40	10	L/360
WIND LOAD	(BASED ON TABLE R301.2(4) WIND ZONE AND EXPOSURE)		
GROUND SNOW LOAD: P _g	20 (PSF)		

- I-JOIST SYSTEMS DESIGNED WITH 12 PSF DEAD LOAD AND DEFLECTION (IN) OF L/480
- FLOOR TRUSS SYSTEMS DESIGNED WITH 15 PSF DEAD LOAD

- FOR 115 AND 120 MPH WIND ZONES, FOUNDATION ANCHORAGE IS TO COMPLY WITH SECTION R403.1.6 OF THE NRCR, 2018 EDITION. FOR 130 MPH, 140 MPH, AND 150 MPH WIND ZONES, FOUNDATION ANCHORAGE IS TO COMPLY WITH SECTION 4504 OF THE NRCR, 2018 EDITION.
- ENERGY EFFICIENCY COMPLIANCE AND INSULATION VALUES OF THE BUILDING TO BE IN ACCORDANCE WITH CHAPTER 11 OF THE NRCR, 2018 EDITION.

FOOTING AND FOUNDATION NOTES

- FOUNDATION DESIGN BASED ON A MINIMUM ALLOWABLE BEARING CAPACITY OF 2000 PSF. CONTACT GEOTECHNICAL ENGINEER IF BEARING CAPACITY IS NOT ACHIEVED.
- FOR ALL CONCRETE SLABS AND FOOTINGS, THE AREA WITHIN THE PERIMETER OF THE BUILDING ENVELOPE SHALL HAVE ALL VEGETATION, TOP SOIL AND FOREIGN MATERIAL REMOVED. FILL MATERIAL SHALL BE FREE OF VEGETATION AND FOREIGN MATERIAL. THE FILL SHALL BE COMPACTED TO ASSURE UNIFORM SUPPORT OF THE SLAB, AND EXCEPT WHERE APPROVED, THE FILL DEPTHS SHALL NOT EXCEED 24" FOR CLEAN SAND OR GRAVEL. A 4" THICK BASED COURSE CONSISTING OF CLEAN GRADED SAND OR GRAVEL SHALL BE PLACED. A BASE COURSE IS NOT REQUIRED WHERE A CONCRETE SLAB IS INSTALLED ON WELL-DRAINED OR SAND-GRAVEL MIXTURE SOILS CLASSIFIED AS GROUP 1, ACCORDING TO THE UNITED SOIL CLASSIFICATION SYSTEM IN ACCORDANCE WITH TABLE R405.1 OF THE NRCR, 2018 EDITION.
- PROPERLY DEWATER EXCAVATION PRIOR TO POURING CONCRETE WHEN BOTTOM OF CONCRETE SLAB IS AT OR BELOW WATER TABLE. IF APPLICABLE, 3/4" - 1" DEEP CONTROL JOINTS ARE TO BE SAWED WITHIN 4 TO 12 HOURS OF CONCRETE FINISHING AND WALL LOCATIONS HAVE BEEN MARKED. ADJUST WHERE NECESSARY.
- CONCRETE SHALL CONFORM TO SECTION R402.2 OF THE NRCR, 2018 EDITION. CONCRETE REINFORCING STEEL TO BE ASTM A615 GRADE 60. WELDED WIRE FABRIC TO BE ASTM A185. MAINTAIN A MINIMUM CONCRETE COVER AROUND REINFORCING STEEL OF 3" IN FOOTINGS AND 1 1/2" IN SLABS. FOR POURED CONCRETE WALLS, CONCRETE COVER FOR REINFORCING STEEL MEASURED FROM THE INSIDE FACE OF THE WALL SHALL NOT BE LESS THAN 3/4". CONCRETE COVER FOR REINFORCING STEEL MEASURED FROM THE OUTSIDE FACE OF THE WALL SHALL NOT BE LESS THAN 1 1/2" FOR #5 BARS OR SMALLER, AND NOT LESS THAN 2" FOR #6 BARS OR LARGER.
- MASONRY UNITS TO CONFORM TO ACE 530/ASCE 5/TMS 402. MORTAR SHALL CONFORM TO ASTM C270.
- THE UNSUPPORTED HEIGHT OF MASONRY PIERS SHALL NOT EXCEED FOUR TIMES THEIR LEAST DIMENSION FOR UNFILLED HOLLOW CONCRETE MASONRY UNITS AND TEN TIMES THEIR LEAST DIMENSION FOR SOLID OR SOLID FILLED PIERS. PERS MAY BE FILLED SOLID WITH CONCRETE OR TYPE M OR S MORTAR. PIERS AND WALLS SHALL BE CAPPED WITH 8" OF SOLID MASONRY.
- THE CENTER OF EACH OF THE PIERS SHALL BEAR IN THE MIDDLE THIRD OF ITS RESPECTIVE FOOTING. EACH GIRDER SHALL BEAR IN THE MIDDLE THIRD OF THE PIERS.
- ALL CONCRETE AND MASONRY FOUNDATION WALLS ARE TO BE CONSTRUCTED IN ACCORDANCE WITH THE PROVISIONS OF SECTION R404 OF THE NRCR, 2018 EDITION OR IN ACCORDANCE WITH ACI 318, ACI 332, NCMA TR68-A OR ACE 530/ASCE 5/TMS 402. MASONRY FOUNDATION WALLS ARE TO BE REINFORCED PER TABLE R404.1.1(1), R404.1.1(2), R404.1.1(3), OR R404.1.1(4) OF THE NRCR, 2018 EDITION. CONCRETE FOUNDATION WALLS ARE TO BE REINFORCED PER TABLE R404.1.1(5) OF THE NRCR, 2018 EDITION. STEP CONCRETE FOUNDATION WALLS TO 2 x 6 FRAMED WALLS AT 16" O.C. WHERE GRADE PERMITS (UNO).

This sealed page is to be used in conjunction with a full plan set engineered by J.S. Thompson Engineering, Inc. only. Use of this individual sealed page within architectural pages or shop drawings by others is a punishable offense under N.C. Statute § 89C-23

FRAMING NOTES

- ALL FRAMING LUMBER SHALL BE #2 SPF MINIMUM (F_b = 875 PSI, F_v = 375 PSI, E = 1600000 PSI) UNLESS NOTED OTHERWISE (UNO). ALL TREATED LUMBER SHALL BE #2 SYP MINIMUM (F_b = 975 PSI, F_v = 175 PSI, E = 1600000 PSI) UNLESS NOTED OTHERWISE (UNO).
- LAMINATED VENEER LUMBER (LVL) SHALL HAVE THE FOLLOWING MINIMUM PROPERTIES: F_b = 2600 PSI, F_v = 285 PSI, E = 1900000 PSI. LAMINATED STRAND LUMBER (LSL) SHALL HAVE THE FOLLOWING MINIMUM PROPERTIES: F_b = 2325 PSI, F_v = 310 PSI, E = 1550000 PSI. PARALLEL STRAND LUMBER (PSL) UP TO 7" DEPTH SHALL HAVE THE FOLLOWING MINIMUM PROPERTIES: F_c = 2500 PSI, E = 1800000 PSI. PARALLEL STRAND LUMBER (PSL) MORE THAN 7" DEPTH SHALL HAVE THE FOLLOWING MINIMUM PROPERTIES: F_c = 2900 PSI, E = 2000000 PSI. INSTALL ALL CONNECTIONS PER MANUFACTURER'S SPECIFICATIONS.
- STRUCTURAL STEEL SHALL CONFORM TO THE FOLLOWING ASTM SPECIFICATIONS
 - W AND WT SHAPES: ASTM A992
 - CHANNELS AND ANGLES: ASTM A36
 - PLATES AND BARS: ASTM A36
 - HOLLOW STRUCTURAL SECTIONS: ASTM A500 GRADE B
 - STEEL PIPE: ASTM A53, GRADE B, TYPE E OR S

- STEEL BEAMS SHALL BE SUPPORTED AT EACH END WITH A MINIMUM BEARING LENGTH OF 3 1/2" AND FULL FLANGE WIDTH (UNO). PROVIDE SOLID BEARING FROM BEAM SUPPORT TO FOUNDATION. BEAMS SHALL BE ATTACHED AT THE BOTTOM FLANGE TO EACH SUPPORT AS FOLLOWS (UNO):
 - WOOD FRAMING (2) 1/2" DIA. x 4" LONG LAG SCREWS
 - CONCRETE (2) 1/2" DIA. x 4" WEDGE ANCHORS
 - MASONRY (FULLY GROUTED) (2) 1/2" DIA. x 4" LONG SIMPSON TITEN HD ANCHORS
 - STEEL PIPE COLUMN (4) 3/4" DIA. A325 BOLTS OR 3/16" FILLET WELD

LATERAL SUPPORT IS CONSIDERED ADEQUATE PROVIDING THE JOISTS ARE TOE NAILED TO THE 2x NAILER ON TOP OF THE STEEL BEAM, AND THE 2x NAILER IS SECURED TO THE TOP OF THE STEEL BEAM w/ (2) ROWS OF SELF TAPPING SCREWS @ 16" O.C. OR (2) ROWS OF 1/2" DIAMETER BOLTS @ 16" O.C. IF 1/2" BOLTS ARE USED TO FASTEN THE NAILER, THE STEEL BEAM SHALL BE FABRICATED w/ (2) ROWS OF 9/16" DIAMETER HOLES @ 16" O.C.

- SQUARES DENOTE POINT LOADS WHICH REQUIRE SOLID BLOCKING TO GIRDER OR FOUNDATION. SHADED SQUARES DENOTE POINT LOADS FROM ABOVE WHICH REQUIRE SOLID BLOCKING TO SUPPORTING MEMBER BELOW.
- ALL LOAD BEARING HEADERS TO CONFORM TO TABLE R602.7(1) AND R602.7(2) OF THE NRCR, 2018 EDITION OR BE (2) 2 x 6 WITH (1) JACK AND (1) KING STUD EACH END (UNO), WHICHEVER IS GREATER ALL HEADERS TO BE SECURED TO EACH JACK STUD WITH (4) 8d NAILS. ALL BEAMS TO BE SUPPORTED WITH (2) STUDS AT EACH BEARING POINT (UNO). INSTALL KING STUDS PER SECTION R602.7.5 OF THE NORTH CAROLINA RESIDENTIAL CODE, 2018 EDITION.
- ALL BEAMS, HEADERS, OR GIRDER TRUSSES PARALLEL TO WALL ARE TO BEAR FULLY ON (1) JACK OR (2) STUDS MINIMUM OR THE NUMBER OF JACKS OR STUDS NOTED. ALL BEAMS OR GIRDER TRUSSES PERPENDICULAR TO WALL AND SUPPORTED BY (3) STUDS OR LESS ARE TO HAVE 1 1/2" MINIMUM BEARING (UNO). ALL BEAMS OR GIRDER TRUSSES PERPENDICULAR TO WALL AND SUPPORTED BY MORE THAN (3) STUDS OR OTHER NOTED COLUMN ARE TO BEAR FULLY ON SUPPORT COLUMN FOR ENTIRE WALL DEPTH (UNO). BEAM ENDS THAT BUTT INTO ONE ANOTHER ARE TO EACH BEAR EQUAL LENGTHS (UNO).
- FLITCH BEAMS SHALL BE BOLTED TOGETHER USING 1/2" DIAMETER BOLTS (ASTM A307) WITH WASHERS PLACED AT THREADED END OF BOLT. BOLTS SHALL BE SPACED AT 24" CENTERS (MAXIMUM), AND STAGGERED AT TOP AND BOTTOM OF BEAM (2" EDGE DISTANCE), WITH (2) BOLTS LOCATED AT 6" FROM EACH END (UNO).
- ALL I-JOIST OR TRUSS LAYOUTS ARE TO BE IN COMPLIANCE WITH THE OVERALL DESIGN SPECIFIED ON THE PLANS. ALL DEVIATIONS ARE TO BE BROUGHT TO THE ATTENTION OF THE ENGINEER OF RECORD PRIOR TO INSTALLATION.
- BRACED WALL PANELS SHALL BE CONSTRUCTED ACCORDING TO THE NORTH CAROLINA RESIDENTIAL CODE 2018 EDITION WALL BRACING CRITERIA. THE AMOUNT, LENGTH, AND LOCATION OF BRACING SHALL COMPLY WITH ALL APPLICABLE TABLES IN SECTION R602.10.
- PROVIDE DOUBLE JOIST UNDER ALL WALLS PARALLEL TO FLOOR JOISTS. PROVIDE SUPPORT UNDER ALL WALLS PARALLEL TO FLOOR TRUSSES OR I-JOISTS PER MANUFACTURER'S SPECIFICATIONS. INSTALL BLOCKING BETWEEN JOISTS OR TRUSSES FOR POINT LOAD SUPPORT FOR ALL POINT LOADS ALONG OFFSET LOAD LINES.
- FOR ALL HEADERS SUPPORTING BRICK VENEER THAT ARE LESS THAN 8'-0" IN LENGTH, REST A 6" x 4" x 5/16" STEEL ANGLE WITH 6" MINIMUM EMBEDMENT AT SIDES FOR BRICK SUPPORT (U.N.O). FOR ALL HEADERS 8'-0" AND GREATER IN LENGTH, BOLT A 6" x 4" x 5/16" STEEL ANGLE TO HEADER WITH 1/2" LAG SCREWS AT 12" O.C. STAGGERED FOR BRICK SUPPORT. FOR ALL BRICK SUPPORT AT ROOF LINES, BOLT A 6" x 4" x 5/16" STEEL ANGLE TO (2) 2 x 10 BLOCKING INSTALLED w/ (4) 12d NAILS EA. PLY BETWEEN WALL STUDS WITH (2) ROWS OF 1/2" LAG SCREWS AT 12" O.C. STAGGERED AND IN ACCORDANCE WITH SECTION R703.8.2.1 OF THE NRCR, 2018 EDITION.
- FOR STICK FRAMED ROOFS: CIRCLES DENOTE (3) 2 x 4 POSTS FOR ROOF MEMBER SUPPORT. HIP SPLICES ARE TO BE SPACED A MINIMUM OF 8'-0". FASTEN MEMBERS WITH THREE ROWS OF 12d NAILS AT 16" O.C. FRAME DORMER WALLS ON TOP OF DOUBLE OR TRIPLE RAFTERS AS SHOWN (UNO).
- FOR TRUSSED ROOFS: FRAME DORMER WALLS ON TOP OF 2 x 4 LADDER FRAMING AT 24" O.C. BETWEEN ADJACENT ROOF TRUSSES. STICK FRAME OVER-FRAMED ROOF SECTIONS WITH 2 x 8 RIDGES, 2 x 6 RAFTERS AT 16" O.C. AND FLAT 2 x 10 VALLEYS (UNO).
- ALL 4 x 4 AND 6 x 6 POSTS TO BE INSTALLED WITH 700 LB CAPACITY UPLIFT CONNECTORS TOP AND BOTTOM (UNO). POSTS MAY BE SECURED USING ONE SIMPSON H6 OR LTS12 UPLIFT CONNECTOR FASTENED TO THE BAND AT THE BOTTOM AND THE BEAM AT THE TOP OF EACH POST. ONE 16" SECTION OF SIMPSON CS16 COIL STRAPPING WITH (8) 8d HDG NAILS AT EACH END MAY BE USED IN LIEU OF EACH TWIST STRAP IF DESIRED. FOR MASONRY OR CONCRETE FOUNDATION USE SIMPSON POST BASE.



12/14/2022

J.S. THOMPSON ENGINEERING, INC
333 EAST SIX FORKS ROAD, SUITE 180 RALEIGH, NC 27609
PHONE: (919) 789-9919 FAX: (919) 789-9921
N.C. LICENSE NO.: CJ713

120 MPH - 130 MPH ULTIMATE DESIGN WIND SPEED
STANDARD STRUCTURAL NOTES
DREAM FINDERS HOMES

DATE: NOVEMBER 28, 2022
SCALE: NTS
DRAWN BY: JST
ENGINEERED BY: JST

S-O
STRUCTURAL
NOTES