

PRELIMINARY: DO NOT USE FOR CONSTRUCTION

**Engineering** **Tech** ASSOCIATES, P.A.

STRUCTURAL ENGINEERS  
 License No. C-3870  
 318 W Millbrook Rd. Unit 201  
 Raleigh, North Carolina 27609  
 Phone (919) 844-1661

TRIPLE A HOMES			
SCOPE	RAFTER FRAMING/BRICK SUPPORT	REV #	REF PROJ #
LOC	17 COTTON FARMS	DATE	

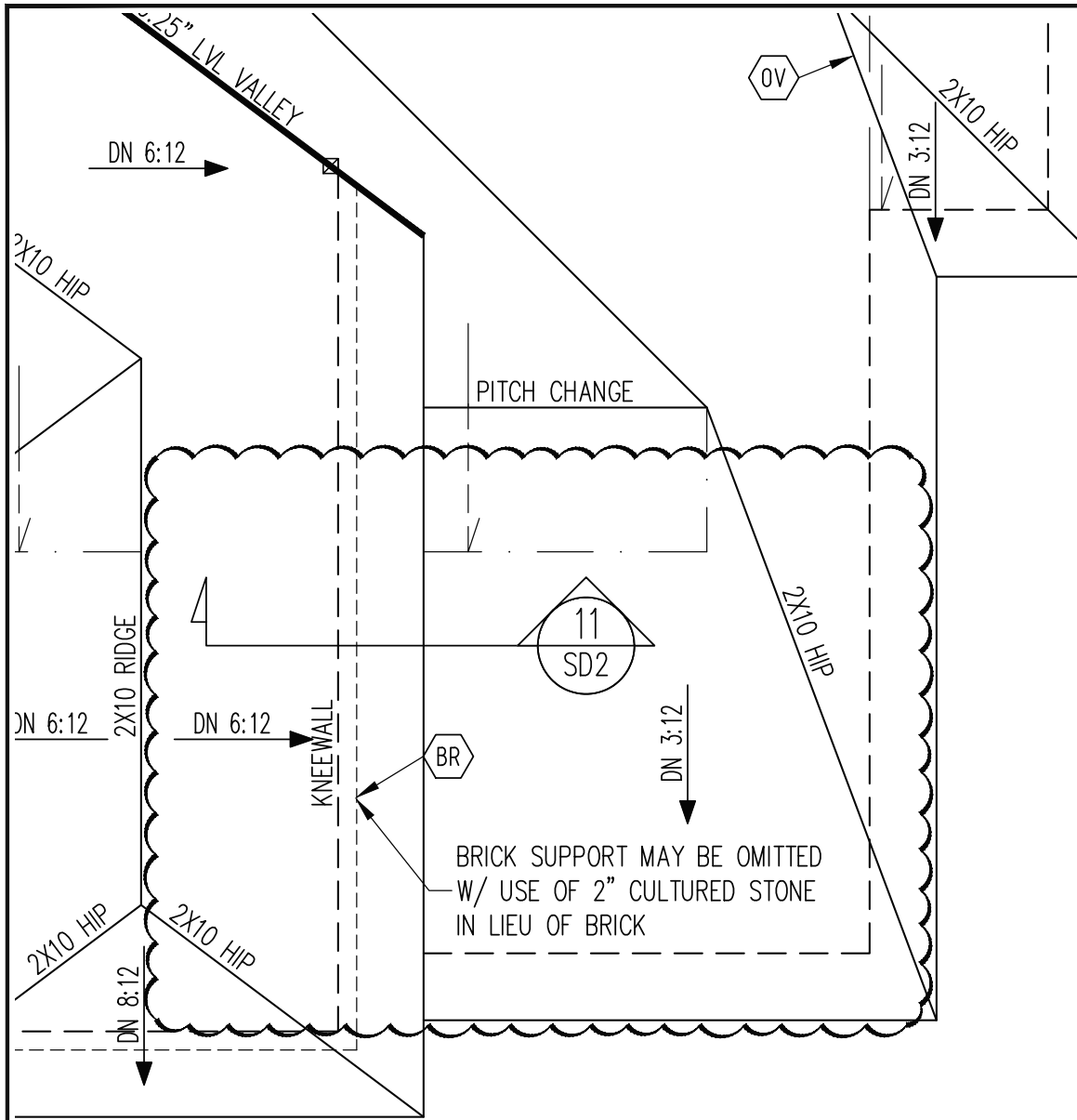
ENG: RJS/CR  
 DATE: 10/30/2024

PARENT  
 24-28-019

PROJECT NO.  
 24-76-149

SHEET NO.  
 SL1

1 of 3



PRELIMINARY: DO NOT USE FOR CONSTRUCTION

**Engineering**  
**Tech**  
 ASSOCIATES, P.A.

STRUCTURAL ENGINEERS  
 License No. C-3870  
 318 W Millbrook Rd. Unit 201  
 Raleigh, North Carolina 27609  
 Phone (919) 844-1661

TRIPLE A HOMES			
SCOPE	RAFTER FRAMING/BRICK SUPPORT	REV #	REF PROJ #
LOC	17 COTTON FARMS	DATE	

ENG: RJS/CR  
 DATE: 10/30/2024

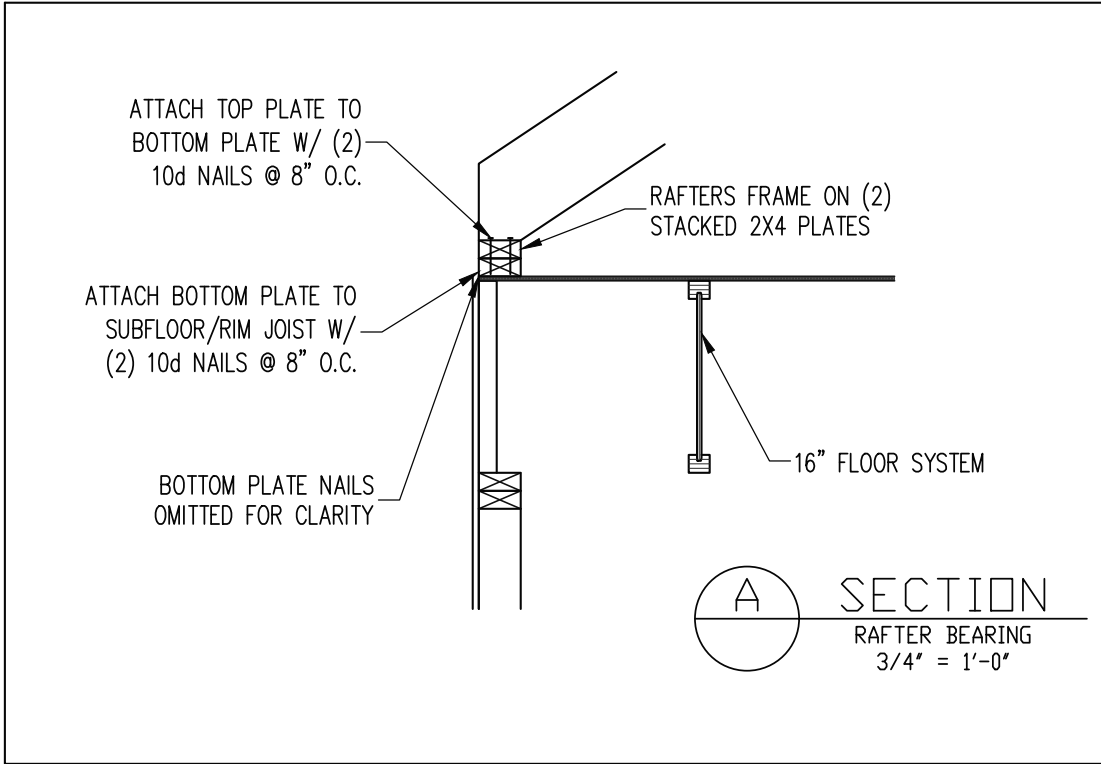
PARENT  
 24-28-019

PROJECT NO.  
 24-76-149

SHEET NO.  
 SL2

2 of 3

PRELIMINARY: DO  
NOT USE FOR  
CONSTRUCTION



**Engineering**  
**Lech**  
ASSOCIATES, P.A.

STRUCTURAL ENGINEERS  
License No. C-3870  
318 W Millbrook Rd. Unit 201  
Raleigh, North Carolina 27609  
Phone (919) 844-1661

TRIPLE A HOMES			
SCOPE	RAFTER FRAMING/BRICK SUPPORT	REV #	REF PROJ #
LOC	17 COTTON FARMS	DATE	

ENG: RJS/CR  
DATE: 10/30/2024

PARENT  
24-28-019

PROJECT NO.  
24-76-149

SHEET NO.  
SL3

3 of 3