

Trenco
818 Soundside Rd
Edenton, NC 27932

Re: J0824-4469
Lot 8 HNC

The truss drawing(s) referenced below have been prepared by Truss Engineering Co. under my direct supervision based on the parameters provided by Comtech, Inc - Fayetteville.

Pages or sheets covered by this seal: I67541196 thru I67541224

My license renewal date for the state of North Carolina is December 31, 2024.

North Carolina COA: C-0844



August 14, 2024

Gilbert, Eric

IMPORTANT NOTE: The seal on these truss component designs is a certification that the engineer named is licensed in the jurisdiction(s) identified and that the designs comply with ANSI/TPI 1. These designs are based upon parameters shown (e.g., loads, supports, dimensions, shapes and design codes), which were given to MiTek or TRENCO. Any project specific information included is for MiTek's or TRENCO's customers file reference purpose only, and was not taken into account in the preparation of these designs. MiTek or TRENCO has not independently verified the applicability of the design parameters or the designs for any particular building. Before use, the building designer should verify applicability of design parameters and properly incorporate these designs into the overall building design per ANSI/TPI 1, Chapter 2.

Job J0824-4469	Truss A1	Truss Type COMMON	Qty 1	Ply 1	Lot 8 HNC	167541196
-------------------	-------------	----------------------	----------	----------	-----------	-----------

Comtech, Inc. Fayetteville, NC - 28314,

8.630 s Jul 12 2024 MiTek Industries, Inc. Wed Aug 14 09:08:59 2024 Page 1

ID: _09zqKsf9De2KKt15adaCvyCKWg-RfC?PsB70Hq3NSgPqnL8w3uITXbGKWwCDoi7J4zJC?f

0-11-0	10-6-0	20-8-8	30-11-0	41-5-0	42-4-0
0-11-0	10-6-0	10-2-8	10-2-8	10-6-0	0-11-0

Scale = 1:74.5

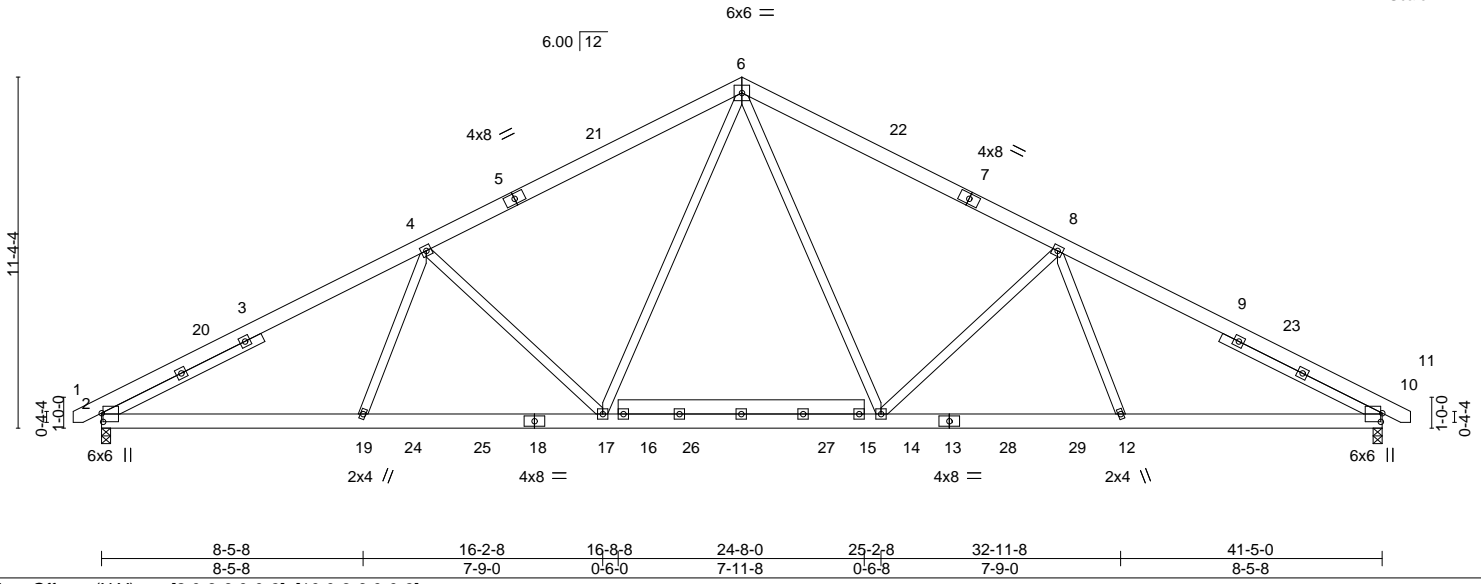


Plate Offsets (X,Y)--	[2:0-3-6,0-0-9], [10:0-3-6,0-0-9]				
LOADING (psf)	SPACING- 2-0-0	CSI.	DEFL. in (loc) l/defl L/d	PLATES	GRIP
TCLL 20.0	Plate Grip DOL 1.15	TC 0.60	Vert(LL) -0.12 14-17 >999 360	MT20	244/190
TCDL 10.0	Lumber DOL 1.15	BC 0.46	Vert(CT) -0.22 14-17 >999 240		
BCLL 0.0 *	Rep Stress Incr NO	WB 0.80	Horz(CT) 0.08 10 n/a n/a		
BCDL 10.0	Code IRC2015/TPI2014	Matrix-S	Wind(LL) 0.06 17 >999 240	Weight: 320 lb	FT = 20%

LUMBER-	BRACING-
TOP CHORD 2x6 SP No.1	TOP CHORD Structural wood sheathing directly applied or 4-5-0 oc purlins.
BOT CHORD 2x6 SP No.1	BOT CHORD Rigid ceiling directly applied or 10-0-0 oc bracing.
WEBS 2x4 SP No.2 *Except* 15-16: 2x6 SP No.1	
SLIDER Left 2x4 SP No.2 5-9-5, Right 2x4 SP No.2 5-9-5	

REACTIONS. (size) 10=0-3-8, 2=0-3-8
 Max Horz 2=143(LC 9)
 Max Uplift 10=109(LC 13), 2=109(LC 12)
 Max Grav 10=1706(LC 2), 2=1706(LC 2)

FORCES. (lb) - Max. Comp./Max. Ten. - All forces 250 (lb) or less except when shown.
 TOP CHORD 2-4=-2921/559, 4-6=-2346/591, 6-8=-2346/591, 8-10=-2921/559
 BOT CHORD 2-19=-351/2536, 17-19=-386/2454, 14-17=-128/1699, 12-14=-379/2402, 10-12=-344/2483
 WEBS 6-14=-122/836, 8-14=-695/301, 8-12=0/352, 4-19=0/352, 6-17=-122/836, 4-17=-695/301

- NOTES-**
- 1) Unbalanced roof live loads have been considered for this design.
 - 2) Wind: ASCE 7-10; Vult=130mph Vasd=103mph; TCDL=6.0psf; BCDL=6.0psf; h=15ft; Cat. II; Exp C; Enclosed; MWFRS (envelope) and C-C Exterior(2) -0-9-2 to 3-7-11, Interior(1) 3-7-11 to 20-8-8, Exterior(2) 20-8-8 to 25-1-5, Interior(1) 25-1-5 to 42-2-2 zone; C-C for members and forces & MWFRS for reactions shown; Lumber DOL=1.60 plate grip DOL=1.60
 - 3) All plates are 4x4 MT20 unless otherwise indicated.
 - 4) This truss has been designed for a 10.0 psf bottom chord live load nonconcurrent with any other live loads.
 - 5) * This truss has been designed for a live load of 30.0psf on the bottom chord in all areas where a rectangle 3-6-0 tall by 2-0-0 wide will fit between the bottom chord and any other members, with BCDL = 10.0psf.
 - 6) Provide mechanical connection (by others) of truss to bearing plate capable of withstanding 109 lb uplift at joint 10 and 109 lb uplift at joint 2.



August 14, 2024

<p>WARNING - Verify design parameters and READ NOTES ON THIS AND INCLUDED MITEK REFERENCE PAGE MII-7473 rev. 1/2/2023 BEFORE USE.</p> <p>Design valid for use only with MiTek® connectors. This design is based only upon parameters shown, and is for an individual building component, not a truss system. Before use, the building designer must verify the applicability of design parameters and properly incorporate this design into the overall building design. Bracing indicated is to prevent buckling of individual truss web and/or chord members only. Additional temporary and permanent bracing is always required for stability and to prevent collapse with possible personal injury and property damage. For general guidance regarding the fabrication, storage, delivery, erection and bracing of trusses and truss systems, see ANSI/TPH Quality Criteria and DSB-22 available from Truss Plate Institute (www.tpinst.org) and BCSI Building Component Safety Information available from the Structural Building Component Association (www.sbcacomponents.com)</p>	<p>ENGINEERING BY</p> <p>TRENCO</p> <p>A MITEK Affiliate</p> <p>818 Soundside Road Edenton, NC 27932</p>
--	---

Job J0824-4469	Truss A1A	Truss Type COMMON	Qty 3	Ply 1	Lot 8 HNC	167541197
-------------------	--------------	----------------------	----------	----------	-----------	-----------

Comtech, Inc. Fayetteville, NC - 28314,

8.630 s Jul 12 2024 MiTek Industries, Inc. Wed Aug 14 09:08:59 2024 Page 1

ID: _09zqKsf9De2KKt15adaCvyCKWg-RfC?PsB70Hq3NSgPqnL8w3uITXbGKWrCDoi7J4zJC?f

0-11-0	10-6-0	20-8-8	30-11-0	41-5-0	42-4-0
0-11-0	10-6-0	10-2-8	10-2-8	10-6-0	0-11-0

Scale = 1:74.5

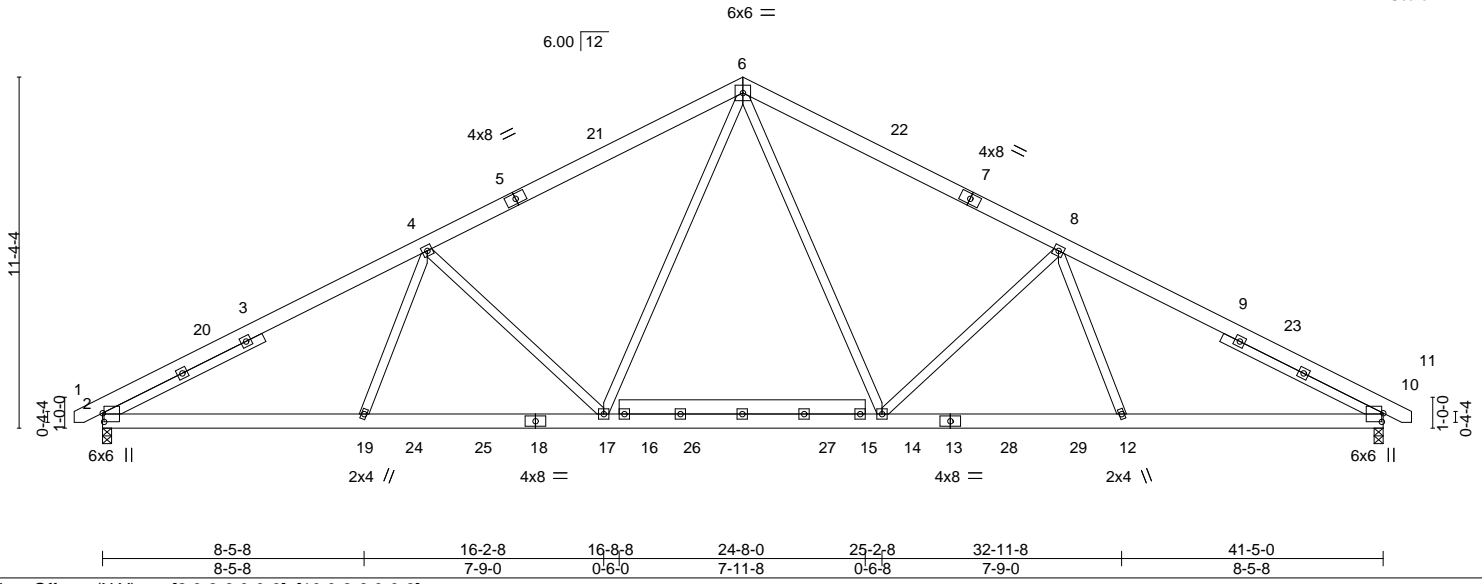


Plate Offsets (X,Y)--	[2:0-3-6,0-0-9], [10:0-3-6,0-0-9]				
LOADING (psf)	SPACING- 2-3-0	CSI.	DEFL. in (loc) l/defl L/d	PLATES	GRIP
TCLL 20.0	Plate Grip DOL 1.15	TC 0.71	Vert(LL) -0.13 14-17 >999 360	MT20	244/190
TCDL 10.0	Lumber DOL 1.15	BC 0.52	Vert(CT) -0.24 14-17 >999 240		
BCLL 0.0 *	Rep Stress Incr NO	WB 0.90	Horz(CT) 0.09 10 n/a n/a		
BCDL 10.0	Code IRC2015/TPI2014	Matrix-S	Wind(LL) 0.06 17 >999 240	Weight: 320 lb	FT = 20%

LUMBER-	BRACING-
TOP CHORD 2x6 SP No.1	TOP CHORD Structural wood sheathing directly applied or 3-11-4 oc purlins.
BOT CHORD 2x6 SP No.1	BOT CHORD Rigid ceiling directly applied or 10-0-0 oc bracing.
WEBS 2x4 SP No.2 *Except* 15-16: 2x6 SP No.1	
SLIDER Left 2x4 SP No.2 5-9-5, Right 2x4 SP No.2 5-9-5	

REACTIONS.	(size) 10=0-3-8, 2=0-3-8
	Max Horz 2=161(LC 9)
	Max Uplift 10=123(LC 13), 2=123(LC 12)
	Max Grav 10=1920(LC 2), 2=1920(LC 2)

FORCES. (lb) - Max. Comp./Max. Ten. - All forces 250 (lb) or less except when shown.
TOP CHORD 2-4=-3286/629, 4-6=-2639/664, 6-8=-2639/664, 8-10=-3286/628
BOT CHORD 2-19=-395/2853, 17-19=-434/2760, 14-17=-143/1911, 12-14=-426/2702, 10-12=-387/2793
WEBS 6-14=-138/941, 8-14=-782/338, 8-12=0/396, 4-19=0/396, 6-17=-138/941, 4-17=-782/338

- NOTES-**
- 1) Unbalanced roof live loads have been considered for this design.
 - 2) Wind: ASCE 7-10; Vult=130mph Vasd=103mph; TCDL=6.0psf; BCDL=6.0psf; h=15ft; Cat. II; Exp C; Enclosed; MWFRS (envelope) and C-C Exterior(2) -0-9-2 to 3-7-11, Interior(1) 3-7-11 to 20-8-8, Exterior(2) 20-8-8 to 25-1-5, Interior(1) 25-1-5 to 42-2-2 zone; C-C for members and forces & MWFRS for reactions shown; Lumber DOL=1.60 plate grip DOL=1.60
 - 3) All plates are 4x4 MT20 unless otherwise indicated.
 - 4) This truss has been designed for a 10.0 psf bottom chord live load nonconcurrent with any other live loads.
 - 5) * This truss has been designed for a live load of 30.0psf on the bottom chord in all areas where a rectangle 3-6-0 tall by 2-0-0 wide will fit between the bottom chord and any other members, with BCDL = 10.0psf.
 - 6) Provide mechanical connection (by others) of truss to bearing plate capable of withstanding 123 lb uplift at joint 10 and 123 lb uplift at joint 2.



August 14, 2024

Job J0824-4469	Truss A1GE	Truss Type GABLE	Qty 1	Ply 1	Lot 8 HNC	167541198
					Job Reference (optional)	

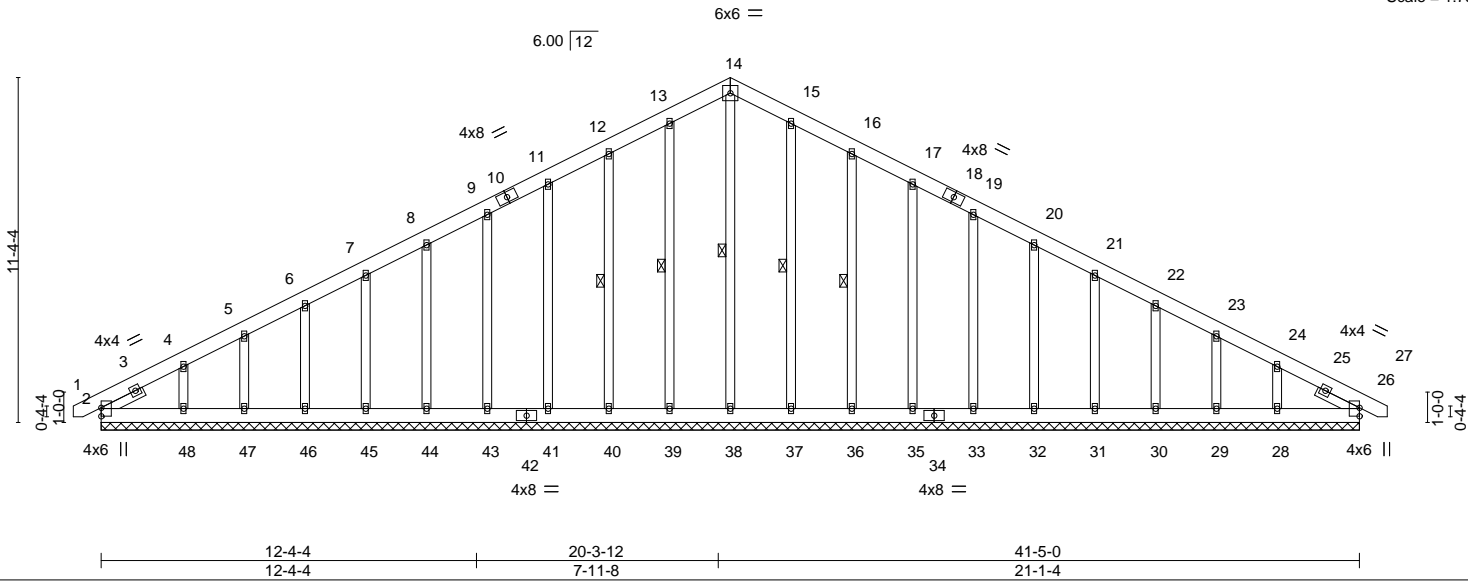
Comtech, Inc. Fayetteville, NC - 28314,

8.630 s Jul 12 2024 MiTek Industries, Inc. Wed Aug 14 09:09:00 2024 Page 1

ID: _09zqKsf9De2KkT15adaCvyCKWg-RfC?PsB70Hq3NSgPqnL8w3uITXbGKWrcDoi7J4zJC?f

-0-11-0	20-8-8	41-5-0	42-4-0
0-11-0	20-8-8	20-8-8	0-11-0

Scale = 1:75.8



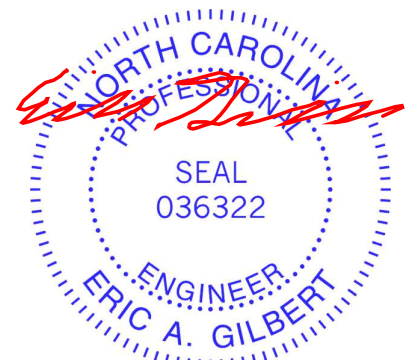
LOADING (psf)	SPACING-	2-0-0	CSI.	DEFL.	in (loc)	l/defl	L/d	PLATES	GRIP
TCLL 20.0	Plate Grip DOL	1.15	TC 0.06	Vert(LL)	0.00	26	n/r	MT20	244/190
TCDL 10.0	Lumber DOL	1.15	BC 0.03	Vert(CT)	0.00	26	n/r		
BCLL 0.0 *	Rep Stress Incr	YES	WB 0.12	Horz(CT)	0.01	26	n/a		
BCDL 10.0	Code IRC2015/TPI2014		Matrix-S						
								Weight: 376 lb	FT = 20%

LUMBER-	BRACING-
TOP CHORD 2x6 SP No.1	TOP CHORD Structural wood sheathing directly applied or 6-0-0 oc purlins.
BOT CHORD 2x6 SP No.1	BOT CHORD Rigid ceiling directly applied or 10-0-0 oc bracing.
OTHERS 2x4 SP No.2	WEBS 1 Row at midpt 14-38, 13-39, 12-40, 15-37, 16-36
SLIDER Left 2x4 SP No.2 1-6-4, Right 2x4 SP No.2 1-6-4	

REACTIONS. All bearings 41-5-0.
 (lb) - Max Horz 2=217(LC 16)
 Max Uplift All uplift 100 lb or less at joint(s) 2, 39, 40, 41, 43, 44, 45, 46, 47, 37, 36, 35, 33, 32, 31, 30, 29 except 48=-168(LC 12), 28=-147(LC 13)
 Max Grav All reactions 250 lb or less at joint(s) 2, 26, 38, 39, 40, 41, 43, 44, 45, 46, 47, 48, 37, 36, 35, 33, 32, 31, 30, 29, 28

FORCES. (lb) - Max. Comp./Max. Ten. - All forces 250 (lb) or less except when shown.
 TOP CHORD 2-4=-296/98, 11-12=-115/271, 12-13=-138/334, 13-14=-149/371, 14-15=-149/371, 15-16=-138/334, 16-17=-115/271

- NOTES-**
- 1) Unbalanced roof live loads have been considered for this design.
 - 2) Wind: ASCE 7-10; Vult=130mph Vasd=103mph; TC DL=6.0psf; BCDL=6.0psf; h=15ft; Cat. II; Exp C; Enclosed; MWFRS (envelope) gable end zone and C-C Exterior(2) zone; C-C for members and forces & MWFRS for reactions shown; Lumber DOL=1.60 plate grip DOL=1.60
 - 3) Truss designed for wind loads in the plane of the truss only. For studs exposed to wind (normal to the face), see Standard Industry Gable End Details as applicable, or consult qualified building designer as per ANSI/TPI 1.
 - 4) All plates are 2x4 MT20 unless otherwise indicated.
 - 5) Gable requires continuous bottom chord bearing.
 - 6) Gable studs spaced at 2-0-0 oc.
 - 7) This truss has been designed for a 10.0 psf bottom chord live load nonconcurrent with any other live loads.
 - 8) * This truss has been designed for a live load of 30.0psf on the bottom chord in all areas where a rectangle 3-6-0 tall by 2-0-0 wide will fit between the bottom chord and any other members.
 - 9) Provide mechanical connection (by others) of truss to bearing plate capable of withstanding 100 lb uplift at joint(s) 2, 39, 40, 41, 43, 44, 45, 46, 47, 37, 36, 35, 33, 32, 31, 30, 29 except (jt=lb) 48=168, 28=147.



August 14, 2024

Job J0824-4469	Truss A2	Truss Type COMMON	Qty 7	Ply 1	Lot 8 HNC	167541199
-------------------	-------------	----------------------	----------	----------	-----------	-----------

Comtech, Inc. Fayetteville, NC - 28314,

8.630 s Jul 12 2024 MiTek Industries, Inc. Wed Aug 14 09:09:01 2024 Page 1

ID: _09zqKsf9De2KkT15adaCvyCKWg-RfC?PsB70Hq3NSgPqnL8w3uITXbGKWrcDoi7J4zJC?f



Scale = 1:72.8

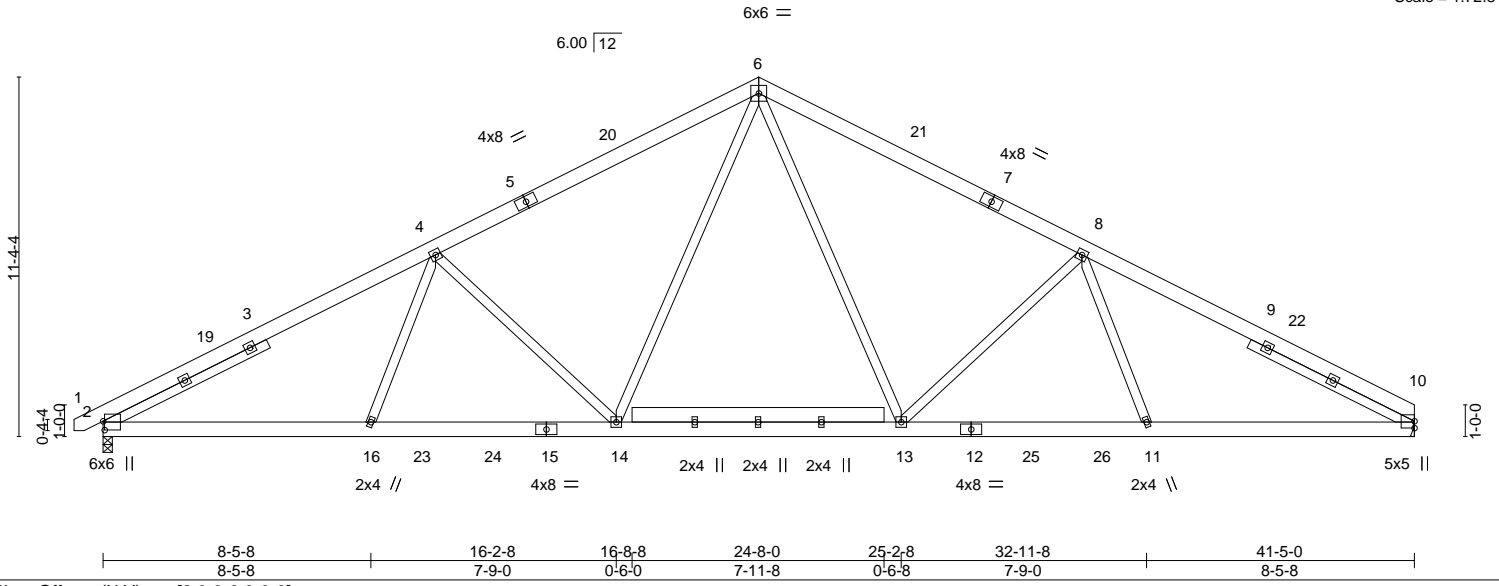


Plate Offsets (X,Y)--	[2:0-3-6,0-0-9]
-----------------------	-----------------

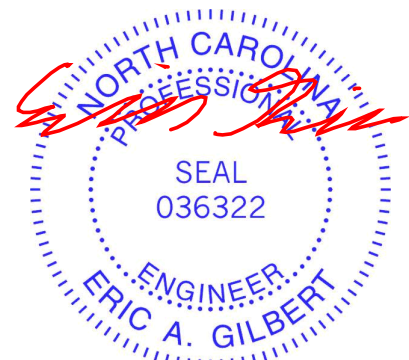
LOADING (psf)	SPACING-	CSI.	DEFL.	PLATES	GRIP
TCLL 20.0	2-0-0	TC 0.49	in (loc) l/defl L/d	MT20	244/190
TCDL 10.0	Plate Grip DOL 1.15	BC 0.38	Vert(LL) -0.10 14-16 >999 360		
BCLL 0.0 *	Lumber DOL 1.15	WB 0.80	Vert(CT) -0.21 13-14 >999 240		
BCDL 10.0	Rep Stress Incr YES	Matrix-S	Horz(CT) 0.08 10 n/a n/a		
	Code IRC2015/TPI2014		Wind(LL) 0.06 14 >999 240	Weight: 318 lb	FT = 20%

LUMBER-	BRACING-
TOP CHORD 2x6 SP No.1	TOP CHORD Structural wood sheathing directly applied or 4-6-11 oc purlins.
BOT CHORD 2x6 SP No.1	BOT CHORD Rigid ceiling directly applied or 10-0-0 oc bracing.
WEBS 2x4 SP No.2 *Except* 17-18: 2x6 SP No.1	
SLIDER Left 2x4 SP No.2 5-9-5, Right 2x4 SP No.2 5-9-5	

REACTIONS. (size) 2=0-3-8, 10=Mechanical
 Max Horz 2=-145(LC 8)
 Max Uplift 2=-109(LC 12), 10=-99(LC 13)
 Max Grav 2=1703(LC 1), 10=1656(LC 1)

FORCES. (lb) - Max. Comp./Max. Ten. - All forces 250 (lb) or less except when shown.
 TOP CHORD 2-4=-2822/560, 4-6=-2225/589, 6-8=-2225/597, 8-10=-2824/570
 BOT CHORD 2-16=-337/2381, 14-16=-371/2321, 13-14=-115/1599, 11-13=-375/2323, 10-11=-340/2384
 WEBS 6-13=-123/717, 8-13=-694/303, 8-11=0/347, 6-14=-122/716, 4-14=-691/302, 4-16=0/342

- NOTES-**
- 1) Unbalanced roof live loads have been considered for this design.
 - 2) Wind: ASCE 7-10; Vult=130mph Vasd=103mph; TCDL=6.0psf; BCDL=6.0psf; h=15ft; Cat. II; Exp C; Enclosed; MWFRS (envelope) and C-C Exterior(2) -0-9-2 to 3-7-11, Interior(1) 3-7-11 to 20-8-8, Exterior(2) 20-8-8 to 25-1-5, Interior(1) 25-1-5 to 41-5-0 zone; C-C for members and forces & MWFRS for reactions shown; Lumber DOL=1.60 plate grip DOL=1.60
 - 3) All plates are 4x4 MT20 unless otherwise indicated.
 - 4) This truss has been designed for a 10.0 psf bottom chord live load nonconcurrent with any other live loads.
 - 5) * This truss has been designed for a live load of 30.0psf on the bottom chord in all areas where a rectangle 3-6-0 tall by 2-0-0 wide will fit between the bottom chord and any other members, with BCDL = 10.0psf.
 - 6) Refer to girder(s) for truss to truss connections.
 - 7) Provide mechanical connection (by others) of truss to bearing plate capable of withstanding 100 lb uplift at joint(s) 10 except (jt=lb) 2=109.



August 14, 2024

WARNING - Verify design parameters and READ NOTES ON THIS AND INCLUDED MITEK REFERENCE PAGE MII-7473 rev. 1/2/2023 BEFORE USE.

Design valid for use only with MiTek® connectors. This design is based only upon parameters shown, and is for an individual building component, not a truss system. Before use, the building designer must verify the applicability of design parameters and properly incorporate this design into the overall building design. Bracing indicated is to prevent buckling of individual truss web and/or chord members only. Additional temporary and permanent bracing is always required for stability and to prevent collapse with possible personal injury and property damage. For general guidance regarding the fabrication, storage, delivery, erection and bracing of trusses and truss systems, see **ANSI/TPH Quality Criteria and DSB-22** available from Truss Plate Institute (www.tpinst.org) and **BCSI Building Component Safety Information** available from the Structural Building Component Association (www.sbcacomponents.com)

ENGINEERING BY
TRENCO
 A MITEK Affiliate

818 Soundside Road
 Edenton, NC 27932

Job	Truss	Truss Type	Qty	Ply	Lot 8 HNC	167541201
J0824-4469	A3GE	GABLE	1	1		
Comtech, Inc. Fayetteville, NC - 28314,						Job Reference (optional)

Comtech, Inc. Fayetteville, NC - 28314,

8.630 s Jul 12 2024 MiTek Industries, Inc. Wed Aug 14 09:09:02 2024 Page 1

ID: _09zqKsf9De2KkT15adaCvyCKWg-RfC?PsB70Hq3NSgPqnL8w3uITXbGKWrcDoi7J4zJC?f



Scale = 1:75.3

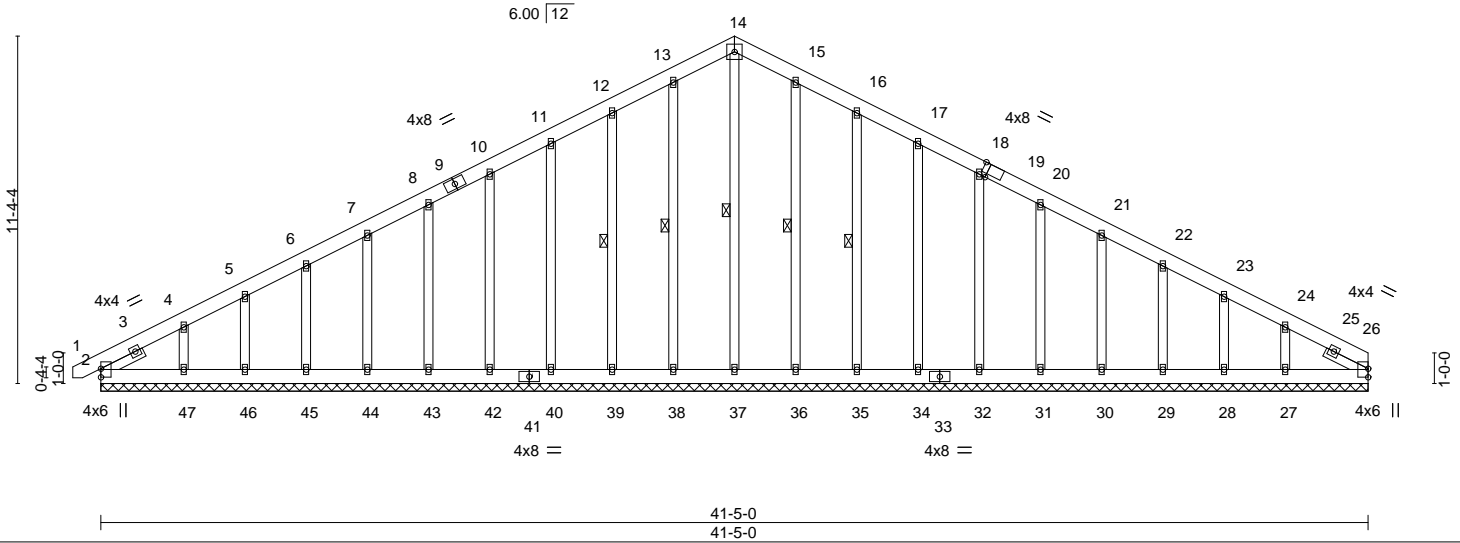


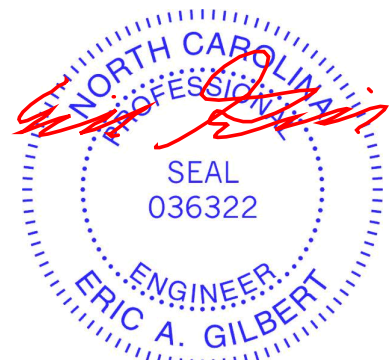
Plate Offsets (X,Y)--	[19:0-2-2,Edge]						
LOADING (psf)	SPACING-	2-0-0	CSI.	DEFL.	in (loc)	l/defl	L/d
TCLL 20.0	Plate Grip DOL	1.15	TC 0.06	Vert(LL)	-0.00	1	n/r 120
TCDL 10.0	Lumber DOL	1.15	BC 0.03	Vert(CT)	0.00	1	n/r 120
BCLL 0.0 *	Rep Stress Incr	YES	WB 0.12	Horz(CT)	0.01	26	n/a n/a
BCDL 10.0	Code IRC2015/TPI2014		Matrix-S				
							PLATES MT20
							GRIP 244/190
							Weight: 374 lb FT = 20%

LUMBER-	BRACING-
TOP CHORD 2x6 SP No.1	TOP CHORD Structural wood sheathing directly applied or 6-0-0 oc purlins.
BOT CHORD 2x6 SP No.1	BOT CHORD Rigid ceiling directly applied or 10-0-0 oc bracing.
OTHERS 2x4 SP No.2	WEBS 1 Row at midpt 14-37, 13-38, 12-39, 15-36, 16-35
SLIDER Left 2x4 SP No.2 1-6-4, Right 2x4 SP No.2 1-6-4	

REACTIONS. All bearings 41-5-0.
 (lb) - Max Horz 2--223(LC 17)
 Max Uplift All uplift 100 lb or less at joint(s) 2, 38, 39, 40, 42, 43, 44, 45, 46, 36, 35, 34, 32, 31, 30, 29, 28 except 47--168(LC 12), 27--151(LC 13)
 Max Grav All reactions 250 lb or less at joint(s) 2, 26, 37, 38, 39, 40, 42, 43, 44, 45, 46, 47, 36, 35, 34, 32, 31, 30, 29, 28, 27

FORCES. (lb) - Max. Comp./Max. Ten. - All forces 250 (lb) or less except when shown.
 TOP CHORD 2-4--294/99, 11-12--115/274, 12-13--138/338, 13-14--149/374, 14-15--149/374, 15-16--138/338, 16-17--115/274

- NOTES-**
- 1) Unbalanced roof live loads have been considered for this design.
 - 2) Wind: ASCE 7-10; Vult=130mph Vasd=103mph; TC DL=6.0psf; BCDL=6.0psf; h=15ft; Cat. II; Exp C; Enclosed; MWFRS (envelope) gable end zone and C-C Exterior(2) zone; C-C for members and forces & MWFRS for reactions shown; Lumber DOL=1.60 plate grip DOL=1.60
 - 3) Truss designed for wind loads in the plane of the truss only. For studs exposed to wind (normal to the face), see Standard Industry Gable End Details as applicable, or consult qualified building designer as per ANSI/TPI 1.
 - 4) All plates are 2x4 MT20 unless otherwise indicated.
 - 5) Gable requires continuous bottom chord bearing.
 - 6) Gable studs spaced at 2-0-0 oc.
 - 7) This truss has been designed for a 10.0 psf bottom chord live load nonconcurrent with any other live loads.
 - 8) * This truss has been designed for a live load of 30.0psf on the bottom chord in all areas where a rectangle 3-6-0 tall by 2-0-0 wide will fit between the bottom chord and any other members.
 - 9) Provide mechanical connection (by others) of truss to bearing plate capable of withstanding 100 lb uplift at joint(s) 2, 38, 39, 40, 42, 43, 44, 45, 46, 36, 35, 34, 32, 31, 30, 29, 28 except (jt=lb) 47=168, 27=151.



August 14, 2024

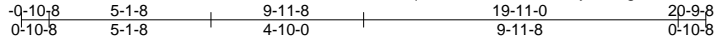
<p>WARNING - Verify design parameters and READ NOTES ON THIS AND INCLUDED MITEK REFERENCE PAGE MII-7473 rev. 1/2/2023 BEFORE USE.</p> <p>Design valid for use only with MiTek® connectors. This design is based only upon parameters shown, and is for an individual building component, not a truss system. Before use, the building designer must verify the applicability of design parameters and properly incorporate this design into the overall building design. Bracing indicated is to prevent buckling of individual truss web and/or chord members only. Additional temporary and permanent bracing is always required for stability and to prevent collapse with possible personal injury and property damage. For general guidance regarding the fabrication, storage, delivery, erection and bracing of trusses and truss systems, see ANSI/TPI1 Quality Criteria and DSB-22 available from Truss Plate Institute (www.tpinst.org) and BCSI Building Component Safety Information available from the Structural Building Component Association (www.sbcacomponents.com)</p>	<p>ENGINEERING BY</p> <p>TRENCO</p> <p>A MITTEK Affiliate</p> <p>818 Soundside Road Edenton, NC 27932</p>
---	--

Job J0824-4469	Truss B1GE	Truss Type GABLE	Qty 1	Ply 1	Lot 8 HNC Job Reference (optional)	167541202
-------------------	---------------	---------------------	----------	----------	---------------------------------------	-----------

Comtech, Inc. Fayetteville, NC - 28314,

8.630 s Jul 12 2024 MiTek Industries, Inc. Wed Aug 14 09:09:03 2024 Page 1

ID: _09zqKsf9De2KkT15adaCvyCKWg-RfC?PsB70Hq3NSgPqnL8w3uITXbGKWrcDoi7J4zJC?f



4x6 =

Scale = 1:72.9

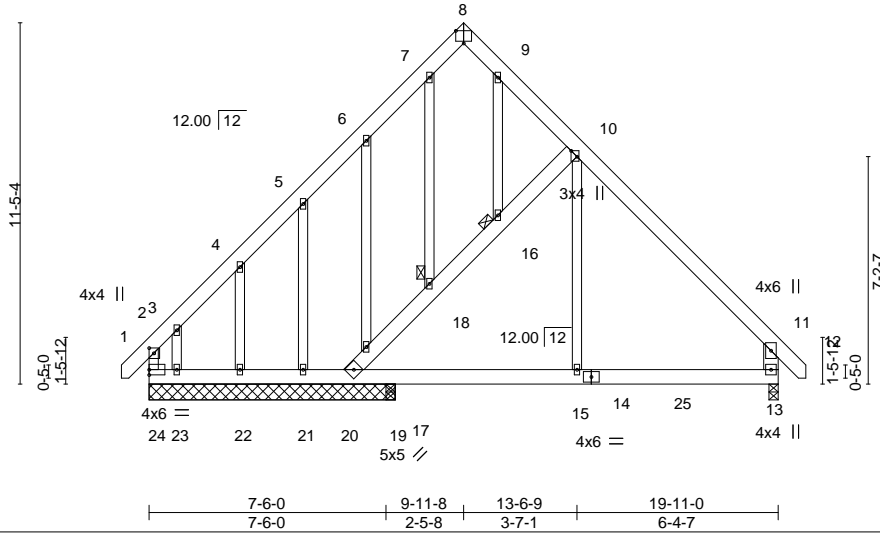


Plate Offsets (X,Y)--	[2:0-2-0,0-1-12], [8:0-3-0,Edge], [10:0-2-4,Edge]
-----------------------	---

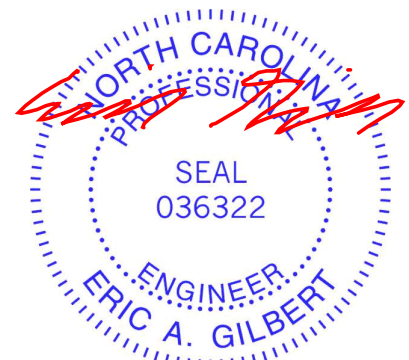
LOADING (psf)	SPACING-	CSI.	DEFL.	PLATES	GRIP
TCLL 20.0	2-0-0	TC 0.31	in (loc) l/defl L/d	MT20	244/190
TCDL 10.0	Plate Grip DOL 1.15	BC 0.15	Vert(LL) -0.02 13-15 >999 360		
BCLL 0.0 *	Lumber DOL 1.15	WB 0.18	Vert(CT) -0.03 13-15 >999 240		
BCDL 10.0	Rep Stress Incr YES	Matrix-R	Horz(CT) 0.00 13 n/a n/a		
	Code IRC2015/TPI2014		Wind(LL) -0.02 16 >999 240	Weight: 198 lb	FT = 20%

LUMBER-	BRACING-
TOP CHORD 2x6 SP No.1	TOP CHORD Structural wood sheathing directly applied or 6-0-0 oc purlins, except end verticals.
BOT CHORD 2x6 SP No.1	BOT CHORD Rigid ceiling directly applied or 10-0-0 oc bracing.
WEBS 2x4 SP No.2 *Except*	JOINTS 1 Brace at Jt(s): 18, 16
OTHERS 11-13: 2x6 SP No.1 2x4 SP No.2	

REACTIONS. All bearings 7-9-8 except (jt=length) 13=0-3-8, 17=0-3-8.
 (lb) - Max Horz 24=370(LC 11)
 Max Uplift All uplift 100 lb or less at joint(s) 13 except 24=-195(LC 10), 20=-264(LC 13), 21=-178(LC 12), 22=-132(LC 12), 23=-616(LC 12)
 Max Grav All reactions 250 lb or less at joint(s) 21, 22 except 24=796(LC 12), 13=695(LC 20), 20=494(LC 20), 23=264(LC 10), 17=324(LC 3)

FORCES. (lb) - Max. Comp./Max. Ten. - All forces 250 (lb) or less except when shown.
 TOP CHORD 2-3=-594/305, 3-4=-368/166, 4-5=-252/59, 10-11=-621/66, 11-13=-593/162, 2-24=-485/261
 BOT CHORD 23-24=-232/374, 22-23=-234/375, 21-22=-235/375, 20-21=-235/376, 17-20=0/398, 15-17=0/398, 13-15=0/398, 19-20=-638/304, 18-19=-521/296, 16-18=-511/313, 10-16=-494/319
 WEBS 10-15=0/263, 3-23=-239/311

- NOTES-**
- Unbalanced roof live loads have been considered for this design.
 - Wind: ASCE 7-10; Vult=130mph Vasd=103mph; TC DL=6.0psf; BCDL=6.0psf; h=15ft; Cat. II; Exp C; Enclosed; MWFRS (envelope) gable end zone and C-C Exterior(2) zone; end vertical left and right exposed; C-C for members and forces & MWFRS for reactions shown; Lumber DOL=1.60 plate grip DOL=1.60
 - Truss designed for wind loads in the plane of the truss only. For studs exposed to wind (normal to the face), see Standard Industry Gable End Details as applicable, or consult qualified building designer as per ANSI/TPI 1.
 - All plates are 2x4 MT20 unless otherwise indicated.
 - Gable studs spaced at 2-0-0 oc.
 - This truss has been designed for a 10.0 psf bottom chord live load nonconcurrent with any other live loads.
 - * This truss has been designed for a live load of 30.0psf on the bottom chord in all areas where a rectangle 3-6-0 tall by 2-0-0 wide will fit between the bottom chord and any other members, with BCDL = 10.0psf.
 - Provide mechanical connection (by others) of truss to bearing plate capable of withstanding 100 lb uplift at joint(s) 13 except (jt=lb) 24=195, 20=264, 21=178, 22=132, 23=616.



August 14, 2024

<p>WARNING - Verify design parameters and READ NOTES ON THIS AND INCLUDED MITEK REFERENCE PAGE MII-7473 rev. 1/2/2023 BEFORE USE.</p> <p>Design valid for use only with MiTek® connectors. This design is based only upon parameters shown, and is for an individual building component, not a truss system. Before use, the building designer must verify the applicability of design parameters and properly incorporate this design into the overall building design. Bracing indicated is to prevent buckling of individual truss web and/or chord members only. Additional temporary and permanent bracing is always required for stability and to prevent collapse with possible personal injury and property damage. For general guidance regarding the fabrication, storage, delivery, erection and bracing of trusses and truss systems, see ANSI/TPI Quality Criteria and DSB-22 available from Truss Plate Institute (www.tpinst.org) and BCSI Building Component Safety Information available from the Structural Building Component Association (www.sbcacomponents.com)</p>	<p>818 Soundside Road Edenton, NC 27932</p>
--	---

Job J0824-4469	Truss B2GRD	Truss Type COMMON GIRDER	Qty 1	Ply 2	Lot 8 HNC 167541203
-------------------	----------------	-----------------------------	----------	----------	------------------------

Comtech, Inc. Fayetteville, NC - 28314,

8.630 s Jul 12 2024 MiTek Industries, Inc. Wed Aug 14 09:09:04 2024 Page 1

ID:_09zqKsf9De2KkT15adaCvyCKWg-RfC?PsB70Hq3NSgPqnL8w3uITXbGKWrcDoi7J4zJC?f

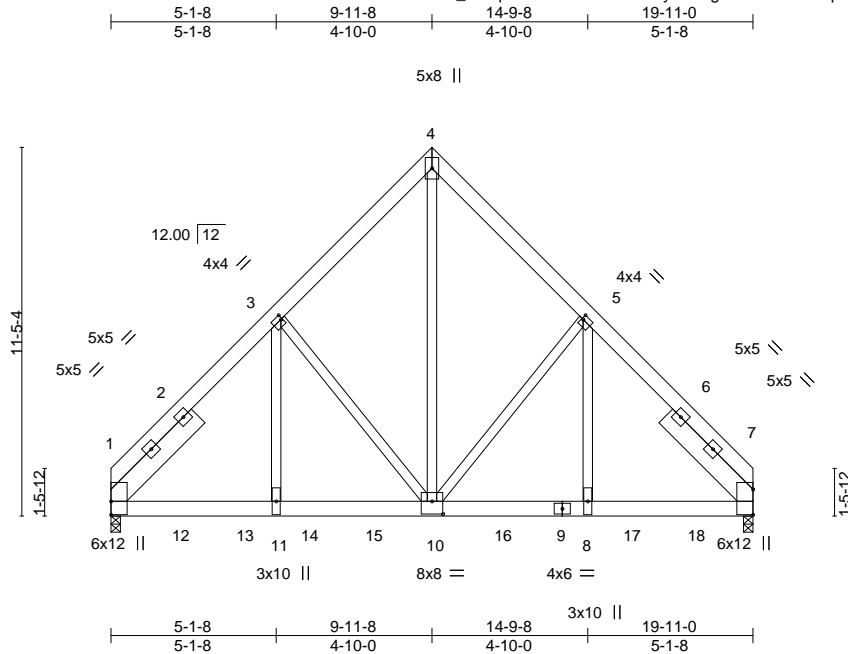


Plate Offsets (X,Y)--	[3:0-0-8,0-1-12], [5:0-0-8,0-1-12], [10:0-4-0,0-4-12]
-----------------------	---

LOADING (psf)	SPACING-	2-0-0	CSI.	DEFL.	in (loc)	l/defl	L/d	PLATES	GRIP
TCLL 20.0	Plate Grip DOL	1.15	TC 0.57	Vert(LL)	-0.08 10-11	>999	360	MT20	244/190
TCDL 10.0	Lumber DOL	1.15	BC 0.52	Vert(CT)	-0.16 10-11	>999	240		
BCLL 0.0 *	Rep Stress Incr	NO	WB 0.94	Horz(CT)	0.04 7	n/a	n/a		
BCDL 10.0	Code IRC2015/TP12014		Matrix-S	Wind(LL)	0.06 10-11	>999	240	Weight: 383 lb	FT = 20%

LUMBER-	BRACING-
TOP CHORD 2x6 SP 2400F 2.0E	TOP CHORD Structural wood sheathing directly applied or 6-0-0 oc purlins.
BOT CHORD 2x6 SP 2400F 2.0E	BOT CHORD Rigid ceiling directly applied or 10-0-0 oc bracing.
WEBS 2x4 SP No.2	
SLIDER Left 2x8 SP No.1 3-9-7, Right 2x8 SP No.1 3-9-7	

REACTIONS. (size) 1=0-3-8, 7=0-3-8
 Max Horz 1=-261(LC 25)
 Max Uplift 1=-526(LC 9), 7=-534(LC 8)
 Max Grav 1=8096(LC 1), 7=8223(LC 1)

FORCES. (lb) - Max. Comp./Max. Ten. - All forces 250 (lb) or less except when shown.
 TOP CHORD 1-3=-8843/621, 3-4=-5944/536, 4-5=-5946/536, 5-7=-8824/619
 BOT CHORD 1-11=-440/5686, 10-11=-440/5697, 8-10=-330/5691, 7-8=-329/5680
 WEBS 4-10=-631/7689, 5-10=-2288/326, 5-8=-220/4112, 3-10=-2297/326, 3-11=-221/4141

- NOTES-**
- 2-ply truss to be connected together with 10d (0.131"x3") nails as follows:
 Top chords connected as follows: 2x6 - 2 rows staggered at 0-9-0 oc.
 Bottom chords connected as follows: 2x6 - 2 rows staggered at 0-5-0 oc.
 Webs connected as follows: 2x4 - 1 row at 0-9-0 oc.
 - All loads are considered equally applied to all plies, except if noted as front (F) or back (B) face in the LOAD CASE(S) section. Ply to ply connections have been provided to distribute only loads noted as (F) or (B), unless otherwise indicated.
 - Unbalanced roof live loads have been considered for this design.
 - Wind: ASCE 7-10; Vult=130mph Vasd=103mph; TC DL=6.0psf; BCDL=6.0psf; h=15ft; Cat. II; Exp C; Enclosed; MWFRS (envelope); end vertical left and right exposed; Lumber DOL=1.60 plate grip DOL=1.60
 - This truss has been designed for a 10.0 psf bottom chord live load nonconcurrent with any other live loads.
 - * This truss has been designed for a live load of 30.0psf on the bottom chord in all areas where a rectangle 3-6-0 tall by 2-0-0 wide will fit between the bottom chord and any other members.
 - Provide mechanical connection (by others) of truss to bearing plate capable of withstanding 100 lb uplift at joint(s) except (jt=lb) 1=526, 7=534.
 - Hanger(s) or other connection device(s) shall be provided sufficient to support concentrated load(s) 1636 lb down and 119 lb up at 2-0-12, 1636 lb down and 119 lb up at 4-0-12, 1636 lb down and 119 lb up at 6-0-12, 1636 lb down and 119 lb up at 8-0-12, 1636 lb down and 119 lb up at 10-0-12, 1636 lb down and 119 lb up at 12-0-12, 1636 lb down and 119 lb up at 14-0-12, and 1636 lb down and 119 lb up at 16-0-12, and 1636 lb down and 119 lb up at 18-0-12 on bottom chord. The design/selection of such connection device(s) is the responsibility of others.

LOAD CASE(S) Standard
 1) Dead + Roof Live (balanced): Lumber Increase=1.15, Plate Increase=1.15



August 14, 2024

Continued on page 2

WARNING - Verify design parameters and READ NOTES ON THIS AND INCLUDED MITEK REFERENCE PAGE MII-7473 rev. 1/2/2023 BEFORE USE.
 Design valid for use only with MiTek® connectors. This design is based only upon parameters shown, and is for an individual building component, not a truss system. Before use, the building designer must verify the applicability of design parameters and properly incorporate this design into the overall building design. Bracing indicated is to prevent buckling of individual truss web and/or chord members only. Additional temporary and permanent bracing is always required for stability and to prevent collapse with possible personal injury and property damage. For general guidance regarding the fabrication, storage, delivery, erection and bracing of trusses and truss systems, see **ANSI/TPH Quality Criteria and DSB-22** available from Truss Plate Institute (www.tpinst.org) and **BCSI Building Component Safety Information** available from the Structural Building Component Association (www.sbcacomponents.com)

ENGINEERING BY
TRENCO
 A MiTek Affiliate

818 Soundside Road
 Edenton, NC 27932

Job J0824-4469	Truss B2GRD	Truss Type COMMON GIRDER	Qty 1	Ply 2	Lot 8 HNC Job Reference (optional)	I67541203
-------------------	----------------	-----------------------------	----------	-----------------	---------------------------------------	-----------

Comtech, Inc. Fayetteville, NC - 28314,

8.630 s Jul 12 2024 MiTek Industries, Inc. Wed Aug 14 09:09:04 2024 Page 2
ID: _09zqKsf9De2KkT15adaCvyCKWg-RfC?PsB70Hq3NSgPqnL8w3uITXbGKWrCDoi7J4zJC?f

LOAD CASE(S) Standard

Uniform Loads (plf)

Vert: 1-4=-60, 4-7=-60, 1-7=-20

Concentrated Loads (lb)

Vert: 9=-1636(B) 10=-1636(B) 12=-1636(B) 13=-1636(B) 14=-1636(B) 15=-1636(B) 16=-1636(B) 17=-1636(B) 18=-1636(B)

WARNING - Verify design parameters and READ NOTES ON THIS AND INCLUDED MITEK REFERENCE PAGE MII-7473 rev. 1/2/2023 BEFORE USE.

Design valid for use only with MiTek® connectors. This design is based only upon parameters shown, and is for an individual building component, not a truss system. Before use, the building designer must verify the applicability of design parameters and properly incorporate this design into the overall building design. Bracing indicated is to prevent buckling of individual truss web and/or chord members only. Additional temporary and permanent bracing is always required for stability and to prevent collapse with possible personal injury and property damage. For general guidance regarding the fabrication, storage, delivery, erection and bracing of trusses and truss systems, see **ANSI/TP1 Quality Criteria and DSB-22** available from Truss Plate Institute (www.tpinst.org) and **BCSI Building Component Safety Information** available from the Structural Building Component Association (www.sbcacomponents.com)



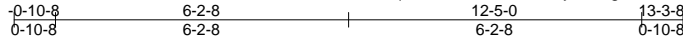
818 Soundside Road
Edenton, NC 27932

Job J0824-4469	Truss C1GE	Truss Type GABLE	Qty 1	Ply 1	Lot 8 HNC Job Reference (optional)	167541204
-------------------	---------------	---------------------	----------	----------	---------------------------------------	-----------

Comtech, Inc. Fayetteville, NC - 28314,

8.630 s Jul 12 2024 MiTek Industries, Inc. Wed Aug 14 09:09:04 2024 Page 1

ID:_09zqKsf9De2KkT15adaCvyCKWg-RfC?PsB70Hq3NSgPqnL8w3uITXbGKWrCDoi7J4zJC?f



4x6 =

Scale = 1:48.8

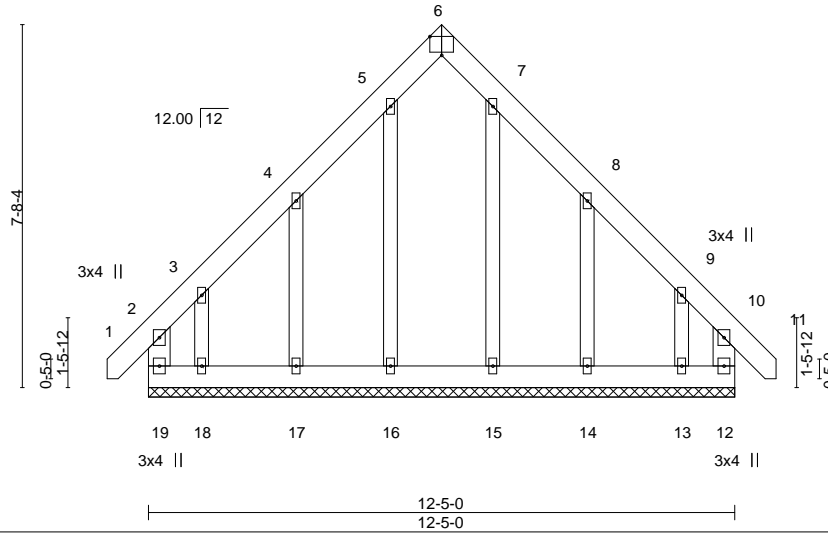


Plate Offsets (X,Y)--	[6:0-3-0,Edge]							
LOADING (psf)	SPACING-	2-0-0	CSI.	DEFL.	in (loc)	l/defl	L/d	PLATES
TCLL 20.0	Plate Grip DOL	1.15	TC 0.07	Vert(LL)	-0.00	10	n/r	MT20
TCDL 10.0	Lumber DOL	1.15	BC 0.06	Vert(CT)	-0.00	10	n/r	244/190
BCLL 0.0 *	Rep Stress Incr	YES	WB 0.08	Horz(CT)	0.00	12	n/a	
BCDL 10.0	Code IRC2015/TPI2014		Matrix-R					
								Weight: 114 lb FT = 20%

LUMBER-	BRACING-
TOP CHORD 2x6 SP No.1	TOP CHORD Structural wood sheathing directly applied or 6-0-0 oc purlins, except end verticals.
BOT CHORD 2x6 SP No.1	BOT CHORD Rigid ceiling directly applied or 10-0-0 oc bracing.
WEBS 2x6 SP No.1	
OTHERS 2x4 SP No.2	

REACTIONS. All bearings 12-5-0.
 (lb) - Max Horz 19=259(LC 11)
 Max Uplift All uplift 100 lb or less at joint(s) except 19=200(LC 10), 12=-167(LC 11), 17=-162(LC 12), 18=-322(LC 12), 14=-164(LC 13), 13=-314(LC 13)
 Max Grav All reactions 250 lb or less at joint(s) 16, 17, 15, 14 except 19=308(LC 9), 12=287(LC 13), 18=279(LC 10), 13=258(LC 11)

FORCES. (lb) - Max. Comp./Max. Ten. - All forces 250 (lb) or less except when shown.

- NOTES-**
- 1) Unbalanced roof live loads have been considered for this design.
 - 2) Wind: ASCE 7-10; Vult=130mph Vasd=103mph; TCDL=6.0psf; BCDL=6.0psf; h=15ft; Cat. II; Exp C; Enclosed; MWFRS (envelope) gable end zone and C-C Exterior(2) zone; end vertical left and right exposed; C-C for members and forces & MWFRS for reactions shown; Lumber DOL=1.60 plate grip DOL=1.60
 - 3) Truss designed for wind loads in the plane of the truss only. For studs exposed to wind (normal to the face), see Standard Industry Gable End Details as applicable, or consult qualified building designer as per ANSI/TPI 1.
 - 4) All plates are 2x4 MT20 unless otherwise indicated.
 - 5) Gable requires continuous bottom chord bearing.
 - 6) Truss to be fully sheathed from one face or securely braced against lateral movement (i.e. diagonal web).
 - 7) Gable studs spaced at 2-0-0 oc.
 - 8) This truss has been designed for a 10.0 psf bottom chord live load nonconcurrent with any other live loads.
 - 9) * This truss has been designed for a live load of 30.0psf on the bottom chord in all areas where a rectangle 3-6-0 tall by 2-0-0 wide will fit between the bottom chord and any other members.
 - 10) Provide mechanical connection (by others) of truss to bearing plate capable of withstanding 200 lb uplift at joint 19, 167 lb uplift at joint 12, 162 lb uplift at joint 17, 322 lb uplift at joint 18, 164 lb uplift at joint 14 and 314 lb uplift at joint 13.



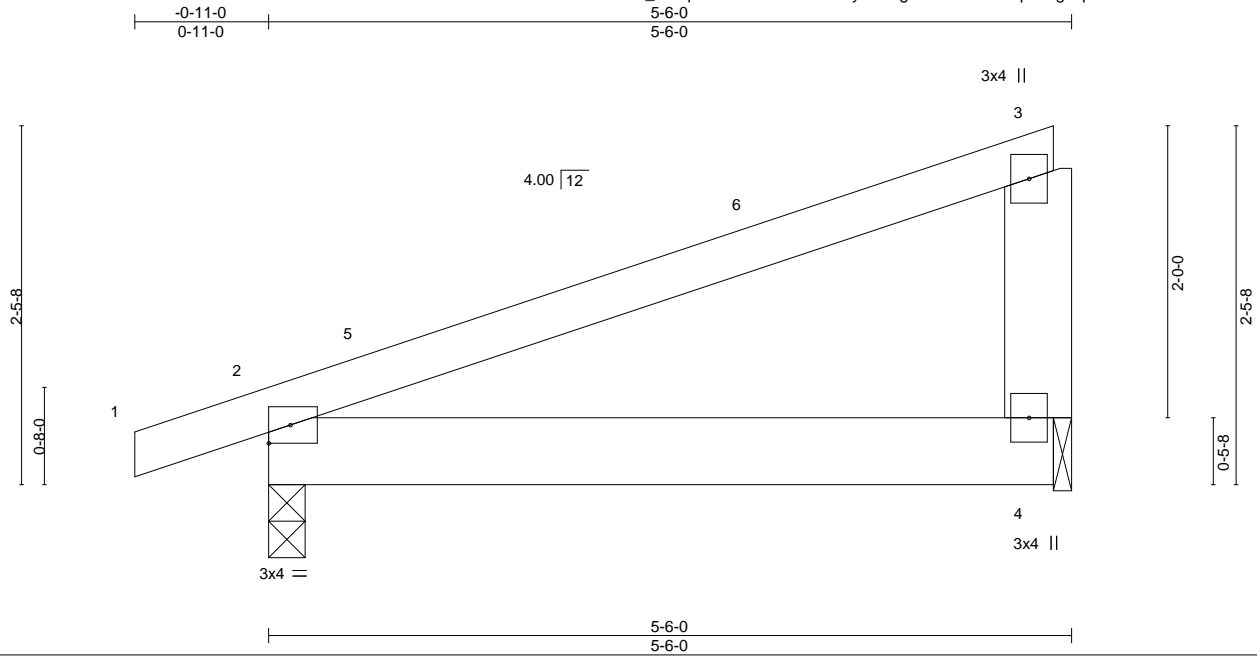
August 14, 2024

Job J0824-4469	Truss D1	Truss Type MONOPICH	Qty 4	Ply 1	Lot 8 HNC	167541205
-------------------	-------------	------------------------	----------	----------	-----------	-----------

Comtech, Inc. Fayetteville, NC - 28314,

8.630 s Jul 12 2024 MiTek Industries, Inc. Wed Aug 14 09:09:05 2024 Page 1

ID: _09zqKsf9De2KkT15adaCvyCKWg-RfC?PsB70Hq3NSgPqnL8w3uITXbGKWrcDoi7J4zJC?f



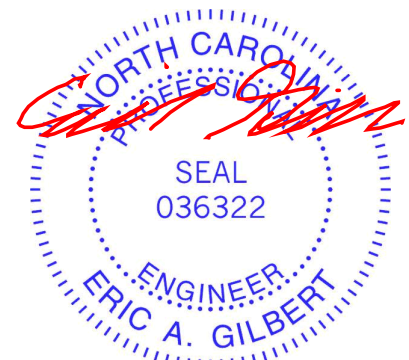
LOADING (psf)	SPACING-	CSI.	DEFL.	in (loc)	l/defl	L/d	PLATES	GRIP
TCLL 20.0	2-0-0	TC 0.35	Vert(LL)	-0.01	2-4	>999	MT20	244/190
TCDL 10.0	Plate Grip DOL 1.15	BC 0.26	Vert(CT)	-0.02	2-4	>999		
BCLL 0.0 *	Lumber DOL 1.15	WB 0.00	Horz(CT)	0.00		n/a		
BCDL 10.0	Rep Stress Incr YES	Matrix-P	Wind(LL)	0.00	2	****	Weight: 27 lb	FT = 20%
	Code IRC2015/TPI2014							

LUMBER-	BRACING-
TOP CHORD 2x4 SP No.1	TOP CHORD Structural wood sheathing directly applied or 5-6-0 oc purlins, except end verticals.
BOT CHORD 2x6 SP No.1	BOT CHORD Rigid ceiling directly applied or 10-0-0 oc bracing.
WEBS 2x6 SP No.1	

REACTIONS. (size) 2=0-3-0, 4=0-1-8
 Max Horz 2=68(LC 8)
 Max Uplift 2=-50(LC 8), 4=-34(LC 12)
 Max Grav 2=275(LC 1), 4=200(LC 1)

FORCES. (lb) - Max. Comp./Max. Ten. - All forces 250 (lb) or less except when shown.

- NOTES-**
- 1) Wind: ASCE 7-10; Vult=130mph Vasd=103mph; TCDL=6.0psf; BCDL=6.0psf; h=15ft; Cat. II; Exp C; Enclosed; MWFRS (envelope) and C-C Exterior(2) -0-11-0 to 3-5-13, Interior(1) 3-5-13 to 5-3-4 zone; C-C for members and forces & MWFRS for reactions shown; Lumber DOL=1.60 plate grip DOL=1.60
 - 2) This truss has been designed for a 10.0 psf bottom chord live load nonconcurrent with any other live loads.
 - 3) * This truss has been designed for a live load of 30.0psf on the bottom chord in all areas where a rectangle 3-6-0 tall by 2-0-0 wide will fit between the bottom chord and any other members.
 - 4) Bearing at joint(s) 4 considers parallel to grain value using ANSI/TPI 1 angle to grain formula. Building designer should verify capacity of bearing surface.
 - 5) Provide mechanical connection (by others) of truss to bearing plate at joint(s) 4.
 - 6) Provide mechanical connection (by others) of truss to bearing plate capable of withstanding 50 lb uplift at joint 2 and 34 lb uplift at joint 4.



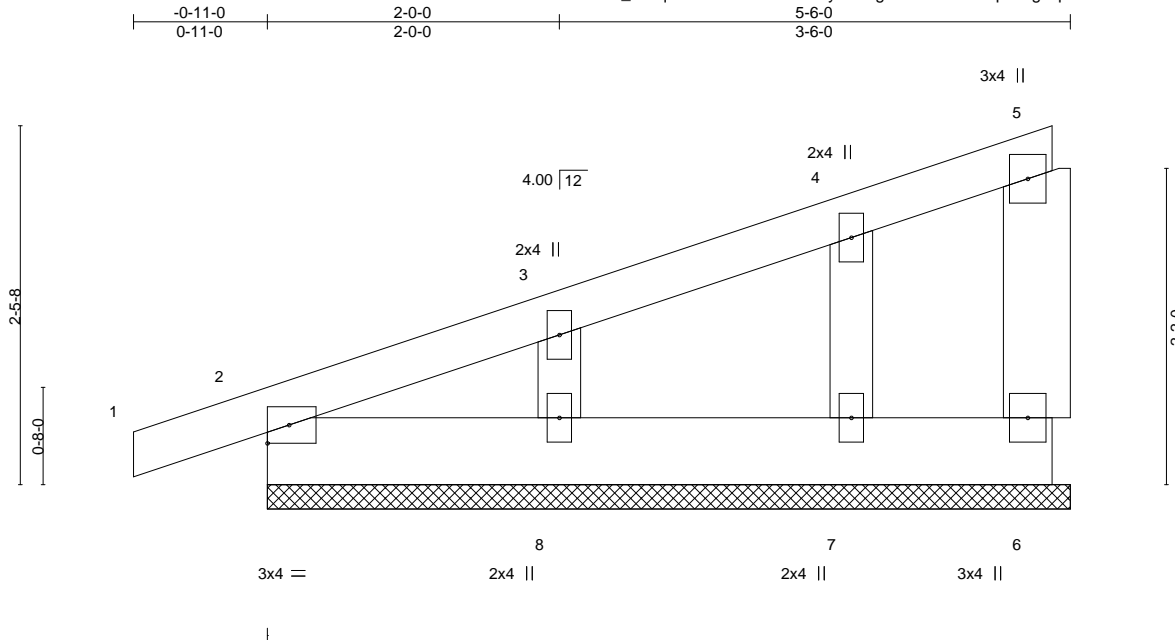
August 14, 2024

Job J0824-4469	Truss D1GE	Truss Type GABLE	Qty 1	Ply 1	Lot 8 HNC	I67541206
					Job Reference (optional)	

Comtech, Inc. Fayetteville, NC - 28314,

8.630 s Jul 12 2024 MiTek Industries, Inc. Wed Aug 14 09:09:05 2024 Page 1

ID: _09zqKsf9De2KkT15adaCvyCKWg-RfC?PsB70Hq3NSgPqnL8w3uITXbGKWrCDoi7J4zJC?f



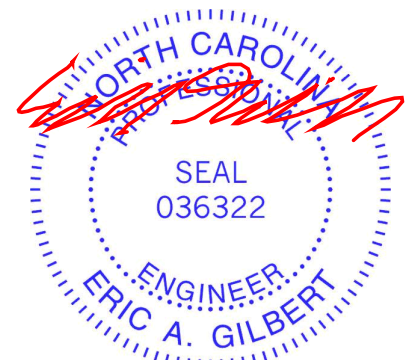
LOADING (psf)	SPACING-	2-0-0	CSI.	DEFL.	in (loc)	l/defl	L/d	PLATES	GRIP
TCLL 20.0	Plate Grip DOL	1.15	TC 0.04	Vert(LL)	0.00	1	n/r	MT20	244/190
TCDL 10.0	Lumber DOL	1.15	BC 0.01	Vert(CT)	-0.00	1	n/r		
BCLL 0.0 *	Rep Stress Incr	YES	WB 0.03	Horz(CT)	0.00		n/a		
BCDL 10.0	Code IRC2015/TPI2014		Matrix-P					Weight: 29 lb	FT = 20%

LUMBER-	BRACING-
TOP CHORD 2x4 SP No.1	TOP CHORD Structural wood sheathing directly applied or 5-6-0 oc purlins, except end verticals.
BOT CHORD 2x6 SP No.1	BOT CHORD Rigid ceiling directly applied or 10-0-0 oc bracing.
WEBS 2x6 SP No.1 *Except*	
3-8: 2x4 SP No.2	
OTHERS 2x4 SP No.2	

REACTIONS. All bearings 5-6-0.
 (lb) - Max Horz 2=97(LC 8)
 Max Uplift All uplift 100 lb or less at joint(s) 6, 2, 7, 8
 Max Grav All reactions 250 lb or less at joint(s) 6, 2, 7, 8

FORCES. (lb) - Max. Comp./Max. Ten. - All forces 250 (lb) or less except when shown.

- NOTES-**
- 1) Wind: ASCE 7-10; Vult=130mph Vasd=103mph; TCDL=6.0psf; BCDL=6.0psf; h=15ft; Cat. II; Exp C; Enclosed; MWFRS (envelope) gable end zone and C-C Exterior(2) zone; C-C for members and forces & MWFRS for reactions shown; Lumber DOL=1.60 plate grip DOL=1.60
 - 2) Truss designed for wind loads in the plane of the truss only. For studs exposed to wind (normal to the face), see Standard Industry Gable End Details as applicable, or consult qualified building designer as per ANSI/TPI 1.
 - 3) Gable requires continuous bottom chord bearing.
 - 4) Gable studs spaced at 2-0-0 oc.
 - 5) This truss has been designed for a 10.0 psf bottom chord live load nonconcurrent with any other live loads.
 - 6) * This truss has been designed for a live load of 30.0psf on the bottom chord in all areas where a rectangle 3-6-0 tall by 2-0-0 wide will fit between the bottom chord and any other members.
 - 7) Provide mechanical connection (by others) of truss to bearing plate capable of withstanding 100 lb uplift at joint(s) 6, 2, 7, 8.



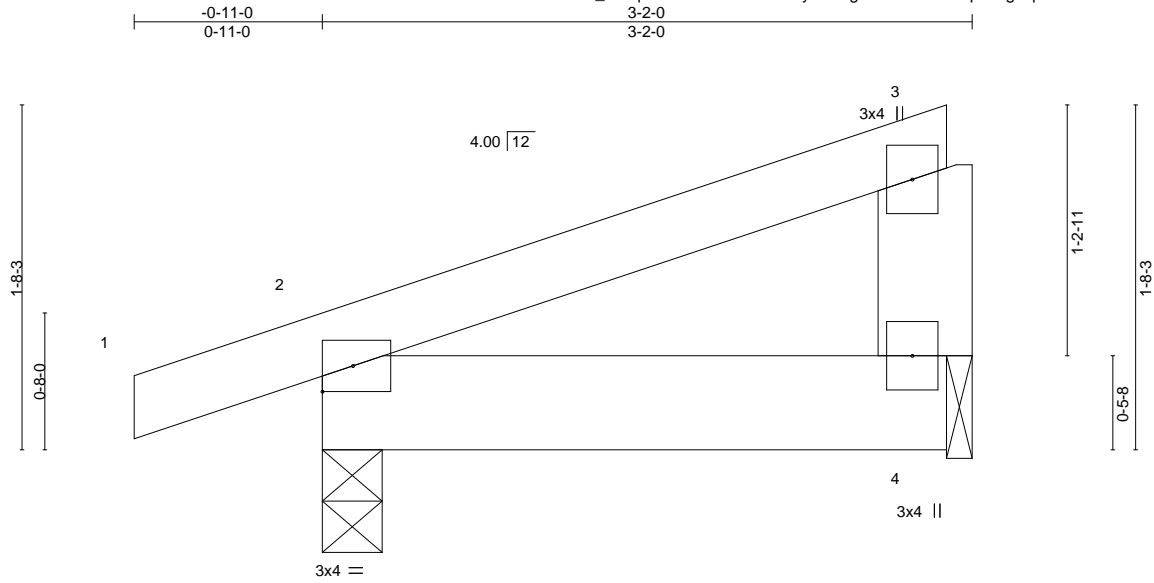
August 14, 2024

Job J0824-4469	Truss D2	Truss Type MONOPITCH	Qty 7	Ply 1	Lot 8 HNC	167541207
-------------------	-------------	-------------------------	----------	----------	-----------	-----------

Comtech, Inc. Fayetteville, NC - 28314,

8.630 s Jul 12 2024 MiTek Industries, Inc. Wed Aug 14 09:09:05 2024 Page 1

ID: _09zqKsf9De2KkT15adaCvyCKWg-RfC?PsB70Hq3NSgPqnL8w3uITXbGKWrcDoi7J4zJC?f



Scale = 1:11.2

LOADING (psf)	SPACING-	2-0-0	CSI.	DEFL.	in (loc)	l/defl	L/d	PLATES	GRIP
TCLL 20.0	Plate Grip DOL	1.15	TC 0.07	Vert(LL)	-0.00	2	>999	MT20	244/190
TCDL 10.0	Lumber DOL	1.15	BC 0.13	Vert(CT)	-0.00	2-4	>999		
BCLL 0.0 *	Rep Stress Incr	YES	WB 0.00	Horz(CT)	0.00		n/a		
BCDL 10.0	Code IRC2015/TPI2014		Matrix-P	Wind(LL)	0.00	2	****	Weight: 16 lb	FT = 20%

LUMBER-
TOP CHORD 2x4 SP No.1
BOT CHORD 2x6 SP No.1
WEBS 2x6 SP No.1

BRACING-
TOP CHORD Structural wood sheathing directly applied or 3-2-0 oc purlins, except end verticals.
BOT CHORD Rigid ceiling directly applied or 10-0-0 oc bracing.

REACTIONS. (size) 2=0-3-8, 4=0-1-8
Max Horz 2=60(LC 8)
Max Uplift 2=82(LC 8), 4=40(LC 12)
Max Grav 2=188(LC 1), 4=100(LC 1)

FORCES. (lb) - Max. Comp./Max. Ten. - All forces 250 (lb) or less except when shown.

NOTES-

- 1) Wind: ASCE 7-10; Vult=130mph Vasd=103mph; TC DL=6.0psf; BCDL=6.0psf; h=15ft; Cat. II; Exp C; Enclosed; MWFRS (envelope) gable end zone and C-C Exterior(2) zone; C-C for members and forces & MWFRS for reactions shown; Lumber DOL=1.60 plate grip DOL=1.60
- 2) This truss has been designed for a 10.0 psf bottom chord live load nonconcurrent with any other live loads.
- 3) * This truss has been designed for a live load of 30.0psf on the bottom chord in all areas where a rectangle 3-6-0 tall by 2-0-0 wide will fit between the bottom chord and any other members.
- 4) Bearing at joint(s) 4 considers parallel to grain value using ANSI/TPI 1 angle to grain formula. Building designer should verify capacity of bearing surface.
- 5) Provide mechanical connection (by others) of truss to bearing plate at joint(s) 4.
- 6) Provide mechanical connection (by others) of truss to bearing plate capable of withstanding 100 lb uplift at joint(s) 2, 4.



August 14, 2024

WARNING - Verify design parameters and READ NOTES ON THIS AND INCLUDED MITEK REFERENCE PAGE MII-7473 rev. 1/2/2023 BEFORE USE.

Design valid for use only with MiTek® connectors. This design is based only upon parameters shown, and is for an individual building component, not a truss system. Before use, the building designer must verify the applicability of design parameters and properly incorporate this design into the overall building design. Bracing indicated is to prevent buckling of individual truss web and/or chord members only. Additional temporary and permanent bracing is always required for stability and to prevent collapse with possible personal injury and property damage. For general guidance regarding the fabrication, storage, delivery, erection and bracing of trusses and truss systems, see **ANSI/TPI1 Quality Criteria and DSB-22** available from Truss Plate Institute (www.tpinst.org) and **BCSI Building Component Safety Information** available from the Structural Building Component Association (www.sbcacomponents.com)



818 Soundside Road
Edenton, NC 27932

Job J0824-4469	Truss D2A	Truss Type MONOPITCH	Qty 3	Ply 1	Lot 8 HNC	167541208
-------------------	--------------	-------------------------	----------	----------	-----------	-----------

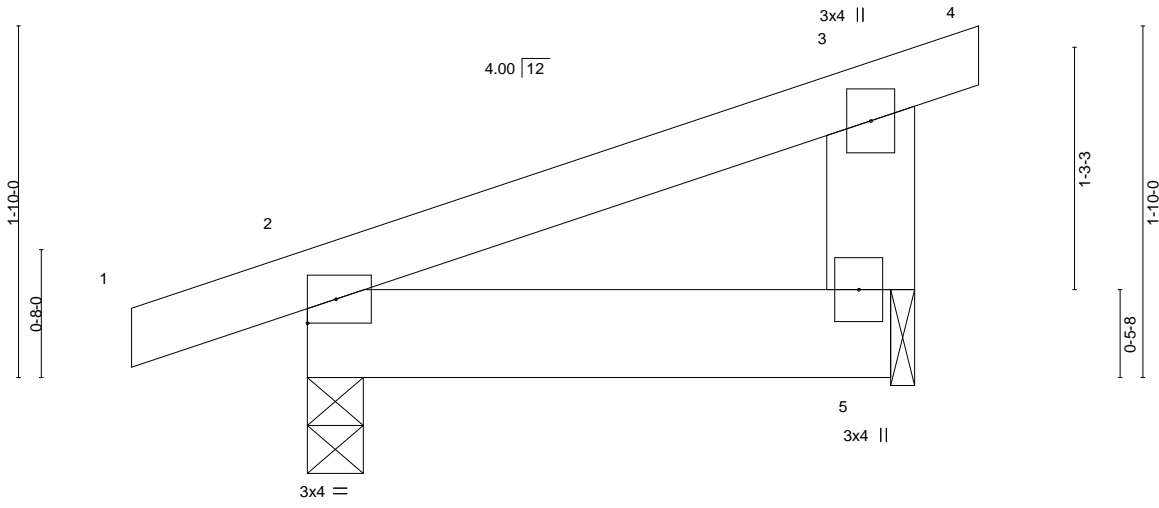
Comtech, Inc. Fayetteville, NC - 28314,

8.630 s Jul 12 2024 MiTek Industries, Inc. Wed Aug 14 09:09:06 2024 Page 1

ID: _09zqKsf9De2KkT15adaCvyCKWg-RfC?PsB70Hq3NSgPqnL8w3uITXbGKWrCDoi7J4zJC?f



Scale: 1"=1'



LOADING (psf)	SPACING-	2-0-0	CSI.	DEFL.	in (loc)	l/defl	L/d	PLATES	GRIP	
TCLL 20.0	Plate Grip DOL	1.15	TC 0.07	Vert(LL)	-0.00	2	>999	360	MT20	244/190
TCDL 10.0	Lumber DOL	1.15	BC 0.13	Vert(CT)	-0.00	2-5	>999	240		
BCLL 0.0 *	Rep Stress Incr	YES	WB 0.00	Horz(CT)	0.00		n/a	n/a		
BCDL 10.0	Code IRC2015/TPI2014		Matrix-P	Wind(LL)	0.00	2	****	240		
									Weight: 16 lb	FT = 20%

LUMBER-
 TOP CHORD 2x4 SP No.1
 BOT CHORD 2x6 SP No.1
 WEBS 2x6 SP No.1

BRACING-
 TOP CHORD Structural wood sheathing directly applied or 3-2-0 oc purlins, except end verticals.
 BOT CHORD Rigid ceiling directly applied or 10-0-0 oc bracing.

REACTIONS. (size) 2=0-3-8, 5=0-1-8
 Max Horz 2=68(LC 8)
 Max Uplift 2=77(LC 8), 5=61(LC 12)
 Max Grav 2=184(LC 1), 5=137(LC 1)

FORCES. (lb) - Max. Comp./Max. Ten. - All forces 250 (lb) or less except when shown.

NOTES-

- 1) Wind: ASCE 7-10; Vult=130mph Vasd=103mph; TC DL=6.0psf; BCDL=6.0psf; h=15ft; Cat. II; Exp C; Enclosed; MWFRS (envelope) gable end zone and C-C Exterior(2) zone; C-C for members and forces & MWFRS for reactions shown; Lumber DOL=1.60 plate grip DOL=1.60
- 2) This truss has been designed for a 10.0 psf bottom chord live load nonconcurrent with any other live loads.
- 3) * This truss has been designed for a live load of 30.0psf on the bottom chord in all areas where a rectangle 3-6-0 tall by 2-0-0 wide will fit between the bottom chord and any other members.
- 4) Bearing at joint(s) 5 considers parallel to grain value using ANSI/TPI 1 angle to grain formula. Building designer should verify capacity of bearing surface.
- 5) Provide mechanical connection (by others) of truss to bearing plate at joint(s) 5.
- 6) Provide mechanical connection (by others) of truss to bearing plate capable of withstanding 100 lb uplift at joint(s) 2, 5.



August 14, 2024

WARNING - Verify design parameters and READ NOTES ON THIS AND INCLUDED MITEK REFERENCE PAGE MII-7473 rev. 1/2/2023 BEFORE USE.
 Design valid for use only with MiTek® connectors. This design is based only upon parameters shown, and is for an individual building component, not a truss system. Before use, the building designer must verify the applicability of design parameters and properly incorporate this design into the overall building design. Bracing indicated is to prevent buckling of individual truss web and/or chord members only. Additional temporary and permanent bracing is always required for stability and to prevent collapse with possible personal injury and property damage. For general guidance regarding the fabrication, storage, delivery, erection and bracing of trusses and truss systems, see **ANSI/TPI1 Quality Criteria and DSB-22** available from Truss Plate Institute (www.tpinst.org) and **BCSI Building Component Safety Information** available from the Structural Building Component Association (www.sbcacomponents.com)

ENGINEERING BY
TRENCO
 A MiTek Affiliate
 818 Soundside Road
 Edenton, NC 27932

Job	Truss	Truss Type	Qty	Ply	Lot 8 HNC	167541209
J0824-4469	G1	COMMON	4	1		

Comtech, Inc. Fayetteville, NC - 28314,

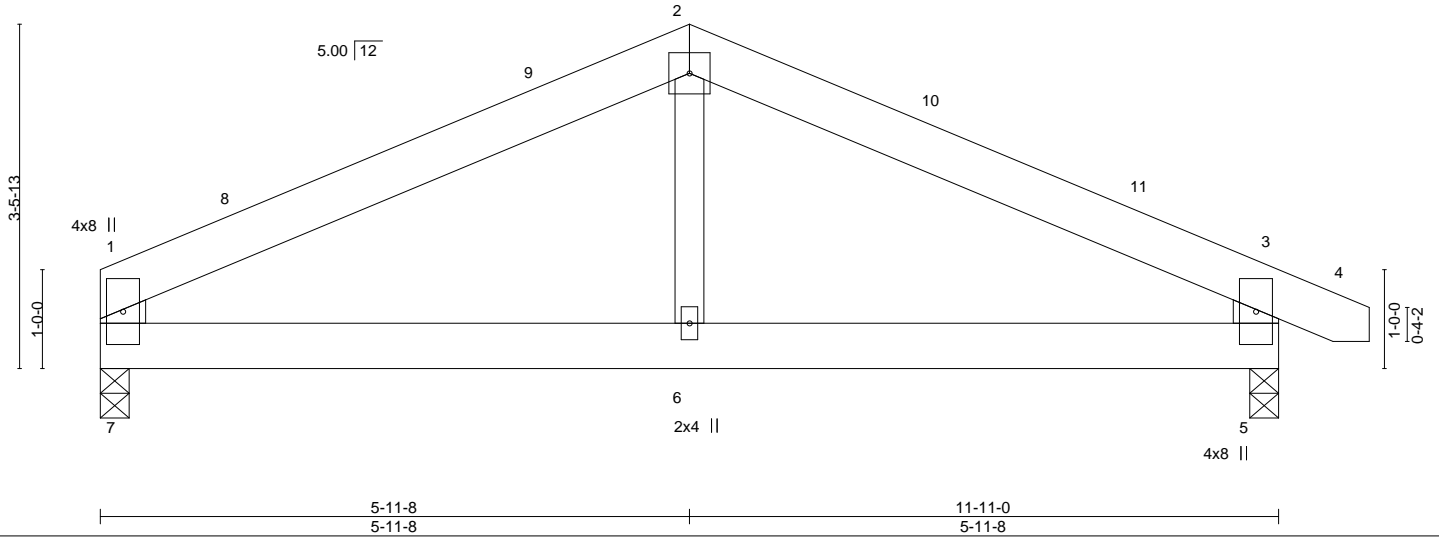
8.630 s Jul 12 2024 MiTek Industries, Inc. Wed Aug 14 09:09:06 2024 Page 1

ID: Dm7ZyERNI?2o6wzIFxt7?MyCJDH-RfC?PsB70Hq3NSgPqnL8w3ulTXbGKWrCDoi7J4zJC?f



5x5 =

Scale = 1:23.3



LOADING (psf)	SPACING-	2-0-0	CSI.	DEFL.	in (loc)	l/defl	L/d	PLATES	GRIP
TCLL 20.0	Plate Grip DOL	1.15	TC 0.16	Vert(LL)	-0.01	6	>999	MT20	244/190
TCDL 10.0	Lumber DOL	1.15	BC 0.13	Vert(CT)	-0.02	6	>999		
BCLL 0.0 *	Rep Stress Incr	YES	WB 0.05	Horz(CT)	0.00	5	n/a		
BCDL 10.0	Code IRC2015/TPI2014		Matrix-R	Wind(LL)	0.01	6	>999		
								Weight: 66 lb	FT = 20%

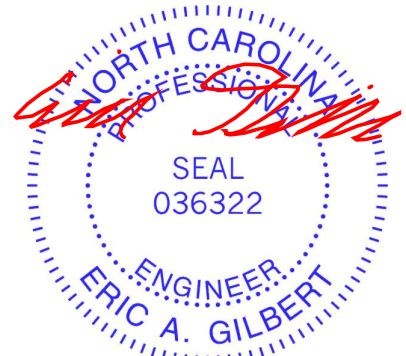
LUMBER-
 TOP CHORD 2x6 SP No.1
 BOT CHORD 2x6 SP No.1
 WEBS 2x6 SP No.1 *Except*
 2-6: 2x4 SP No.2

BRACING-
 TOP CHORD Structural wood sheathing directly applied or 6-0-0 oc purlins, except end verticals.
 BOT CHORD Rigid ceiling directly applied or 10-0-0 oc bracing.

REACTIONS. (size) 7=0-3-8, 5=0-3-8
 Max Horz 7=-39(LC 13)
 Max Uplift 7=-28(LC 12), 5=-41(LC 13)
 Max Grav 7=456(LC 1), 5=519(LC 1)

FORCES. (lb) - Max. Comp./Max. Ten. - All forces 250 (lb) or less except when shown.
 TOP CHORD 1-2=-564/223, 2-3=-568/215, 1-7=-379/208, 3-5=-447/270
 BOT CHORD 6-7=-113/453, 5-6=-113/453

- NOTES-**
- 1) Unbalanced roof live loads have been considered for this design.
 - 2) Wind: ASCE 7-10; Vult=130mph Vasd=103mph; TC DL=6.0psf; BC DL=6.0psf; h=15ft; Cat. II; Exp C; Enclosed; MWFRS (envelope) and C-C Exterior(2) 0-2-12 to 4-7-9, Interior(1) 4-7-9 to 5-11-8, Exterior(2) 5-11-8 to 10-4-5, Interior(1) 10-4-5 to 12-7-13 zone; C-C for members and forces & MWFRS for reactions shown; Lumber DOL=1.60 plate grip DOL=1.60
 - 3) This truss has been designed for a 10.0 psf bottom chord live load nonconcurrent with any other live loads.
 - 4) * This truss has been designed for a live load of 30.0psf on the bottom chord in all areas where a rectangle 3-6-0 tall by 2-0-0 wide will fit between the bottom chord and any other members.
 - 5) Provide mechanical connection (by others) of truss to bearing plate capable of withstanding 100 lb uplift at joint(s) 7, 5.



August 14, 2024

WARNING - Verify design parameters and READ NOTES ON THIS AND INCLUDED MITEK REFERENCE PAGE MII-7473 rev. 1/2/2023 BEFORE USE.
 Design valid for use only with MiTek® connectors. This design is based only upon parameters shown, and is for an individual building component, not a truss system. Before use, the building designer must verify the applicability of design parameters and properly incorporate this design into the overall building design. Bracing indicated is to prevent buckling of individual truss web and/or chord members only. Additional temporary and permanent bracing is always required for stability and to prevent collapse with possible personal injury and property damage. For general guidance regarding the fabrication, storage, delivery, erection and bracing of trusses and truss systems, see **ANSI/TPH Quality Criteria and DSB-22** available from Truss Plate Institute (www.tpinst.org) and **BCSI Building Component Safety Information** available from the Structural Building Component Association (www.sbcacomponents.com)



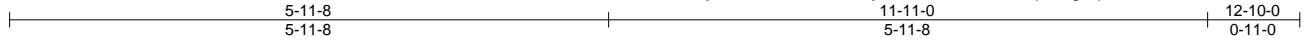
818 Soundside Road
 Edenton, NC 27932

Job J0824-4469	Truss G1GE	Truss Type GABLE	Qty 1	Ply 1	Lot 8 HNC	167541210
-------------------	---------------	---------------------	----------	----------	-----------	-----------

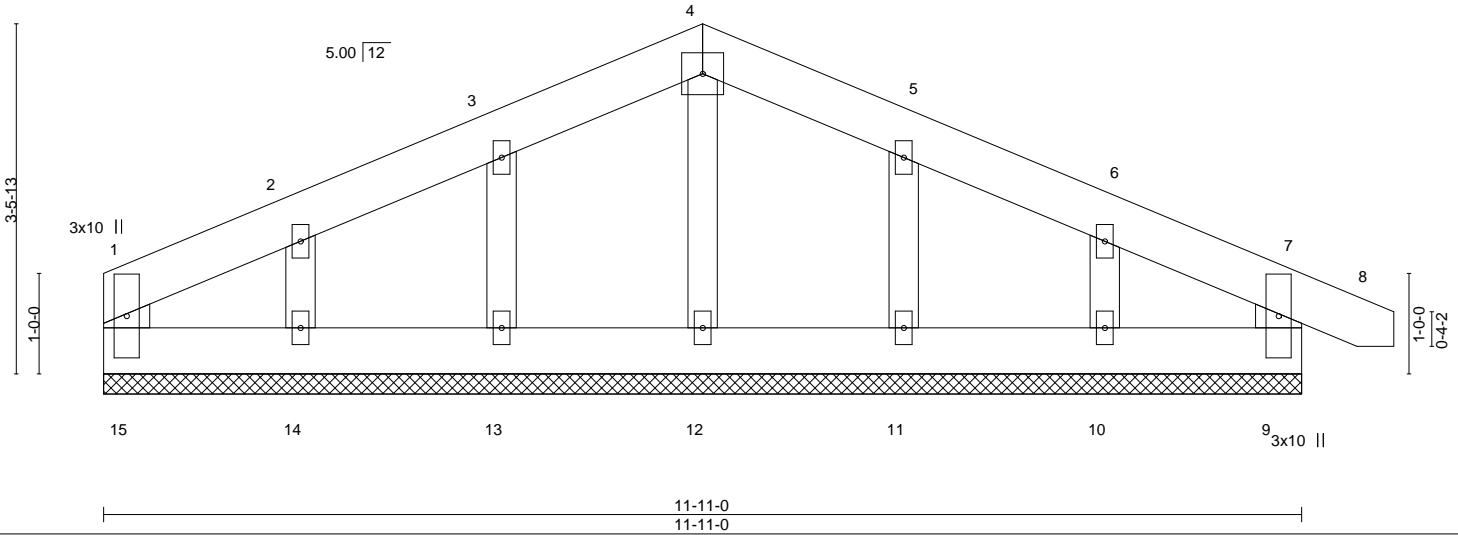
Comtech, Inc. Fayetteville, NC - 28314,

8.630 s Jul 12 2024 MiTek Industries, Inc. Wed Aug 14 09:09:06 2024 Page 1

ID: Dm7ZyERNI?2o6wzIFxt7?MyCJDH-RfC?PsB70Hq3NSgPqnL8w3ulTXbGKWrCDoi7J4zJC?f



Scale = 1:22.9



LOADING (psf)	SPACING-	2-0-0	CSI.	DEFL.	in (loc)	l/defl	L/d	PLATES	GRIP
TCLL 20.0	Plate Grip DOL	1.15	TC 0.02	Vert(LL)	-0.00	7	n/r	MT20	244/190
TCDL 10.0	Lumber DOL	1.15	BC 0.01	Vert(CT)	-0.00	7	n/r		
BCLL 0.0 *	Rep Stress Incr	YES	WB 0.02	Horz(CT)	0.00	9	n/a		
BCDL 10.0	Code IRC2015/TPI2014		Matrix-R					Weight: 74 lb	FT = 20%

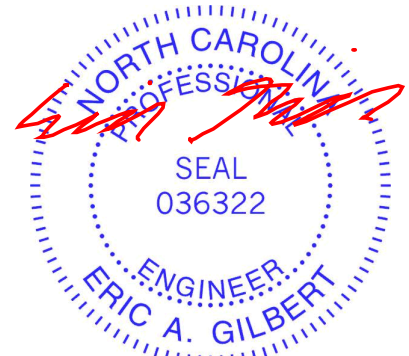
LUMBER-
 TOP CHORD 2x6 SP No.1
 BOT CHORD 2x6 SP No.1
 WEBS 2x6 SP No.1
 OTHERS 2x4 SP No.2

BRACING-
 TOP CHORD Structural wood sheathing directly applied or 6-0-0 oc purlins, except end verticals.
 BOT CHORD Rigid ceiling directly applied or 10-0-0 oc bracing.

REACTIONS. All bearings 11-11-0.
 (lb) - Max Horz 15--64(LC 13)
 Max Uplift All uplift 100 lb or less at joint(s) 15, 9, 13, 14, 11, 10
 Max Grav All reactions 250 lb or less at joint(s) 15, 9, 12, 13, 14, 11, 10

FORCES. (lb) - Max. Comp./Max. Ten. - All forces 250 (lb) or less except when shown.

- NOTES-**
- Unbalanced roof live loads have been considered for this design.
 - Wind: ASCE 7-10; Vult=130mph Vasd=103mph; TCDL=6.0psf; BCDL=6.0psf; h=15ft; Cat. II; Exp C; Enclosed; MWFRS (envelope) gable end zone and C-C Exterior(2) zone; C-C for members and forces & MWFRS for reactions shown; Lumber DOL=1.60 plate grip DOL=1.60
 - Truss designed for wind loads in the plane of the truss only. For studs exposed to wind (normal to the face), see Standard Industry Gable End Details as applicable, or consult qualified building designer as per ANSI/TPI 1.
 - All plates are 2x4 MT20 unless otherwise indicated.
 - Gable requires continuous bottom chord bearing.
 - Truss to be fully sheathed from one face or securely braced against lateral movement (i.e. diagonal web).
 - Gable studs spaced at 2-0-0 oc.
 - This truss has been designed for a 10.0 psf bottom chord live load nonconcurrent with any other live loads.
 - * This truss has been designed for a live load of 30.0psf on the bottom chord in all areas where a rectangle 3-6-0 tall by 2-0-0 wide will fit between the bottom chord and any other members.
 - Provide mechanical connection (by others) of truss to bearing plate capable of withstanding 100 lb uplift at joint(s) 15, 9, 13, 14, 11, 10.



August 14, 2024

WARNING - Verify design parameters and READ NOTES ON THIS AND INCLUDED MITEK REFERENCE PAGE MII-7473 rev. 1/2/2023 BEFORE USE.
 Design valid for use only with MiTek® connectors. This design is based only upon parameters shown, and is for an individual building component, not a truss system. Before use, the building designer must verify the applicability of design parameters and properly incorporate this design into the overall building design. Bracing indicated is to prevent buckling of individual truss web and/or chord members only. Additional temporary and permanent bracing is always required for stability and to prevent collapse with possible personal injury and property damage. For general guidance regarding the fabrication, storage, delivery, erection and bracing of trusses and truss systems, see **ANSI/TPI1 Quality Criteria and DSB-22** available from Truss Plate Institute (www.tpinst.org) and **BCSI Building Component Safety Information** available from the Structural Building Component Association (www.sbcacomponents.com)



818 Soundside Road
 Edenton, NC 27932

Job J0824-4469	Truss P1	Truss Type MONOPITCH	Qty 7	Ply 1	Lot 8 HNC	I67541211
					Job Reference (optional)	

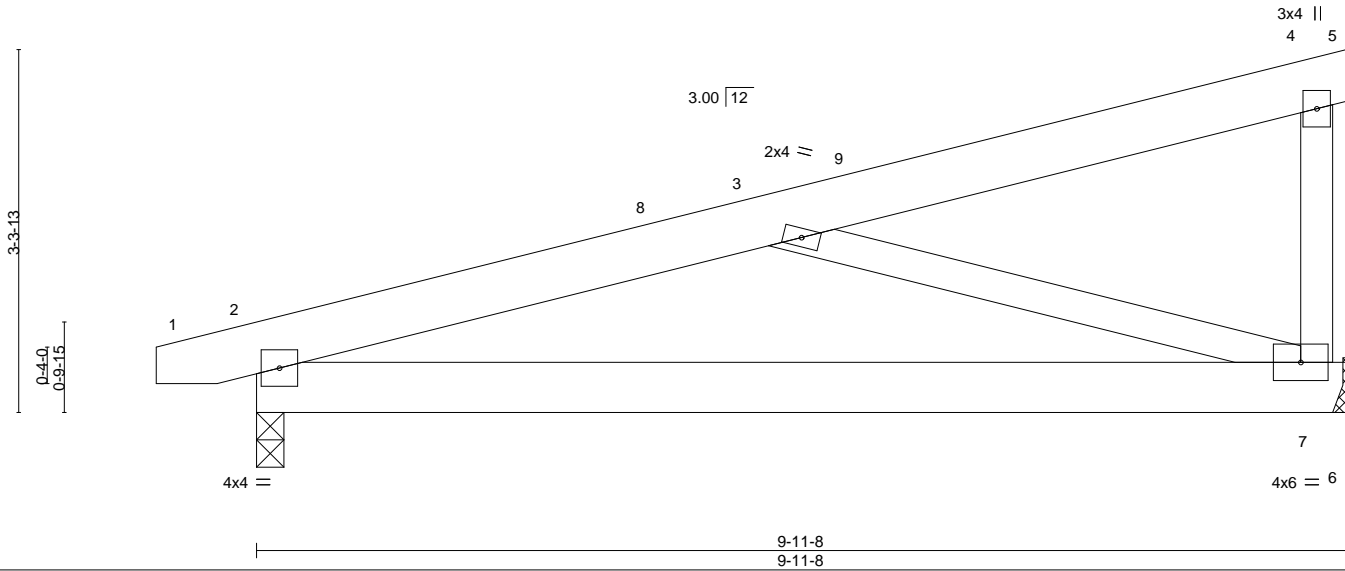
Comtech, Inc. Fayetteville, NC - 28314,

8.630 s Jul 12 2024 MiTek Industries, Inc. Wed Aug 14 09:09:07 2024 Page 1

ID:Dm7ZyERNI?2o6wzIFxt7?MyCJDH-RfC?PsB70Hq3NSgPqnL8w3ulTXbGKWrCDoi7J4zJC?f



Scale = 1:21.1



LOADING (psf)	SPACING-	2-0-0	CSI.	DEFL.	in (loc)	l/defl	L/d	PLATES	GRIP
TCLL 20.0	Plate Grip DOL	1.15	TC 0.61	Vert(LL)	-0.07 2-7	>999	360	MT20	244/190
TCDL 10.0	Lumber DOL	1.15	BC 0.29	Vert(CT)	-0.14 2-7	>817	240		
BCLL 0.0 *	Rep Stress Incr	YES	WB 0.24	Horz(CT)	0.00 7	n/a	n/a		
BCDL 10.0	Code IRC2015/TPI2014		Matrix-S	Wind(LL)	0.15 2-7	>742	240	Weight: 61 lb	FT = 20%

LUMBER-
 TOP CHORD 2x6 SP No.1
 BOT CHORD 2x6 SP No.1
 WEBS 2x4 SP No.2

BRACING-
 TOP CHORD Structural wood sheathing directly applied or 6-0-0 oc purlins, except end verticals.
 BOT CHORD Rigid ceiling directly applied or 9-6-15 oc bracing.

REACTIONS. (size) 7=Mechanical, 2=0-3-0
 Max Horz 2=87(LC 12)
 Max Uplift 7=161(LC 8), 2=163(LC 8)
 Max Grav 7=392(LC 1), 2=430(LC 1)

FORCES. (lb) - Max. Comp./Max. Ten. - All forces 250 (lb) or less except when shown.
 TOP CHORD 2-3=-622/393
 BOT CHORD 2-7=-490/568
 WEBS 3-7=-552/433

- NOTES-**
- 1) Wind: ASCE 7-10; Vult=130mph Vasd=103mph; TC DL=6.0psf; BCDL=6.0psf; h=15ft; Cat. II; Exp C; Enclosed; MWFRS (envelope) and C-C Exterior(2) -0-7-11 to 3-9-2, Interior(1) 3-9-2 to 9-11-8 zone; porch left exposed; C-C for members and forces & MWFRS for reactions shown; Lumber DOL=1.60 plate grip DOL=1.60
 - 2) This truss has been designed for a 10.0 psf bottom chord live load nonconcurrent with any other live loads.
 - 3) * This truss has been designed for a live load of 30.0psf on the bottom chord in all areas where a rectangle 3-6-0 tall by 2-0-0 wide will fit between the bottom chord and any other members.
 - 4) Refer to girder(s) for truss to truss connections.
 - 5) Provide mechanical connection (by others) of truss to bearing plate capable of withstanding 100 lb uplift at joint(s) except (jt=lb) 7=161, 2=163.



August 14, 2024

WARNING - Verify design parameters and READ NOTES ON THIS AND INCLUDED MITEK REFERENCE PAGE MII-7473 rev. 1/2/2023 BEFORE USE.
 Design valid for use only with MiTek® connectors. This design is based only upon parameters shown, and is for an individual building component, not a truss system. Before use, the building designer must verify the applicability of design parameters and properly incorporate this design into the overall building design. Bracing indicated is to prevent buckling of individual truss web and/or chord members only. Additional temporary and permanent bracing is always required for stability and to prevent collapse with possible personal injury and property damage. For general guidance regarding the fabrication, storage, delivery, erection and bracing of trusses and truss systems, see **ANSI/TPI1 Quality Criteria and DSB-22** available from Truss Plate Institute (www.tpinst.org) and **BCSI Building Component Safety Information** available from the Structural Building Component Association (www.sbcacomponents.com)



818 Soundside Road
 Edenton, NC 27932

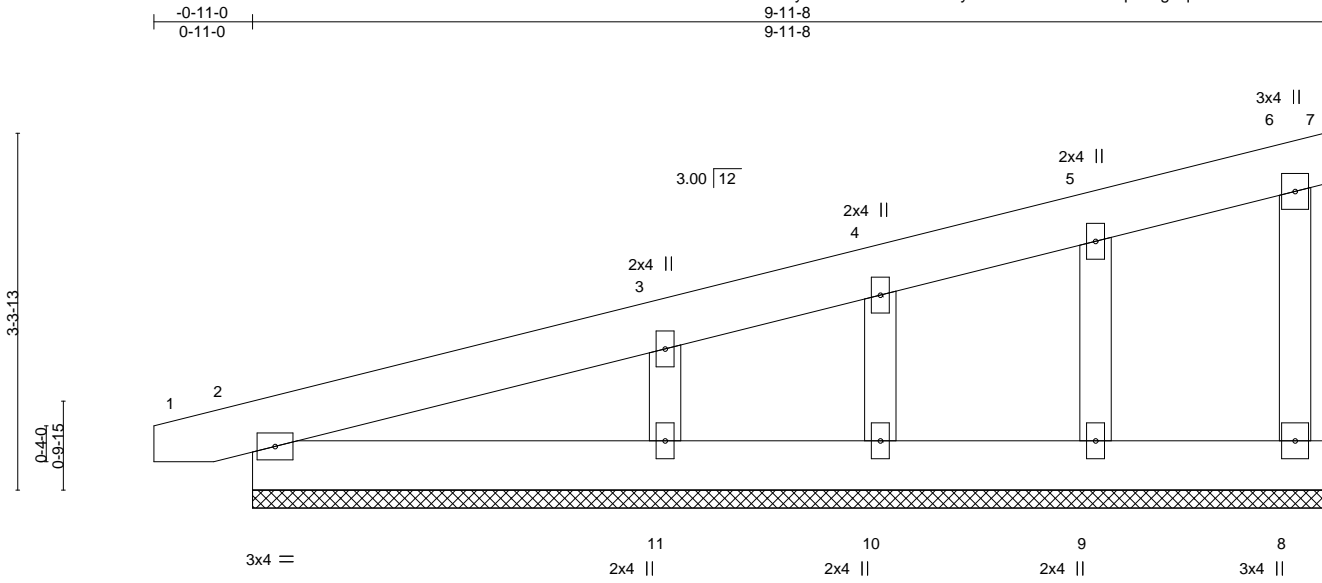
Job J0824-4469	Truss P1GE	Truss Type GABLE	Qty 1	Ply 1	Lot 8 HNC Job Reference (optional)	I67541212
-------------------	---------------	---------------------	----------	----------	---------------------------------------	-----------

Comtech, Inc. Fayetteville, NC - 28314,

8.630 s Jul 12 2024 MiTek Industries, Inc. Wed Aug 14 09:09:07 2024 Page 1

ID:Dm7ZyERNI?2o6wzIFxt?MyCJDH-RfC?PsB70Hq3NSgPqnL8w3uITXbGKWrCDoi7J4zJC?f
9-11-8
9-11-8

Scale = 1:21.4



LOADING (psf)	SPACING-	2-0-0	CSI.	DEFL.	in (loc)	l/defl	L/d	PLATES	GRIP
TCLL 20.0	Plate Grip DOL	1.15	TC 0.05	Vert(LL)	-0.00	1	n/r	MT20	244/190
TCDL 10.0	Lumber DOL	1.15	BC 0.03	Vert(CT)	0.00	1	n/r		
BCLL 0.0 *	Rep Stress Incr	YES	WB 0.03	Horz(CT)	-0.00	7	n/a		
BCDL 10.0	Code IRC2015/TPI2014		Matrix-S					Weight: 59 lb	FT = 20%

LUMBER-
TOP CHORD 2x6 SP No.1
BOT CHORD 2x6 SP No.1
WEBS 2x4 SP No.2
OTHERS 2x4 SP No.2

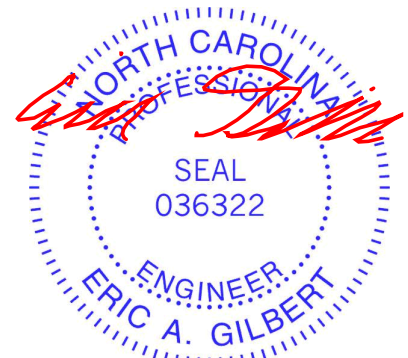
BRACING-
TOP CHORD Structural wood sheathing directly applied or 6-0-0 oc purlins, except end verticals.
BOT CHORD Rigid ceiling directly applied or 10-0-0 oc bracing.

REACTIONS. All bearings 9-11-8.
(lb) - Max Horz 2=125(LC 12)
Max Uplift All uplift 100 lb or less at joint(s) 7, 8, 2, 9, 10 except 11=109(LC 12)
Max Grav All reactions 250 lb or less at joint(s) 7, 8, 2, 9, 10 except 11=303(LC 1)

FORCES. (lb) - Max. Comp./Max. Ten. - All forces 250 (lb) or less except when shown.

NOTES-

- 1) Wind: ASCE 7-10; Vult=130mph Vasd=103mph; TC DL=6.0psf; BCDL=6.0psf; h=15ft; Cat. II; Exp C; Enclosed; MWFRS (envelope) gable end zone and C-C Exterior(2) zone; C-C for members and forces & MWFRS for reactions shown; Lumber DOL=1.60 plate grip DOL=1.60
- 2) Truss designed for wind loads in the plane of the truss only. For studs exposed to wind (normal to the face), see Standard Industry Gable End Details as applicable, or consult qualified building designer as per ANSI/TPI 1.
- 3) Gable requires continuous bottom chord bearing.
- 4) Gable studs spaced at 2-0-0 oc.
- 5) This truss has been designed for a 10.0 psf bottom chord live load nonconcurrent with any other live loads.
- 6) * This truss has been designed for a live load of 30.0psf on the bottom chord in all areas where a rectangle 3-6-0 tall by 2-0-0 wide will fit between the bottom chord and any other members.
- 7) Provide mechanical connection (by others) of truss to bearing plate capable of withstanding 100 lb uplift at joint(s) 7, 8, 2, 9, 10 except (jt=lb) 11=109.



August 14, 2024

WARNING - Verify design parameters and READ NOTES ON THIS AND INCLUDED MITEK REFERENCE PAGE MII-7473 rev. 1/2/2023 BEFORE USE.

Design valid for use only with MiTek® connectors. This design is based only upon parameters shown, and is for an individual building component, not a truss system. Before use, the building designer must verify the applicability of design parameters and properly incorporate this design into the overall building design. Bracing indicated is to prevent buckling of individual truss web and/or chord members only. Additional temporary and permanent bracing is always required for stability and to prevent collapse with possible personal injury and property damage. For general guidance regarding the fabrication, storage, delivery, erection and bracing of trusses and truss systems, see **ANSI/TPI1 Quality Criteria and DSB-22** available from Truss Plate Institute (www.tpinst.org) and **BCSI Building Component Safety Information** available from the Structural Building Component Association (www.sbcacomponents.com)



818 Soundside Road
Edenton, NC 27932

Job J0824-4469	Truss VB1	Truss Type Valley	Qty 1	Ply 1	Lot 8 HNC	167541213
-------------------	--------------	----------------------	----------	----------	-----------	-----------

Comtech, Inc. Fayetteville, NC - 28314,

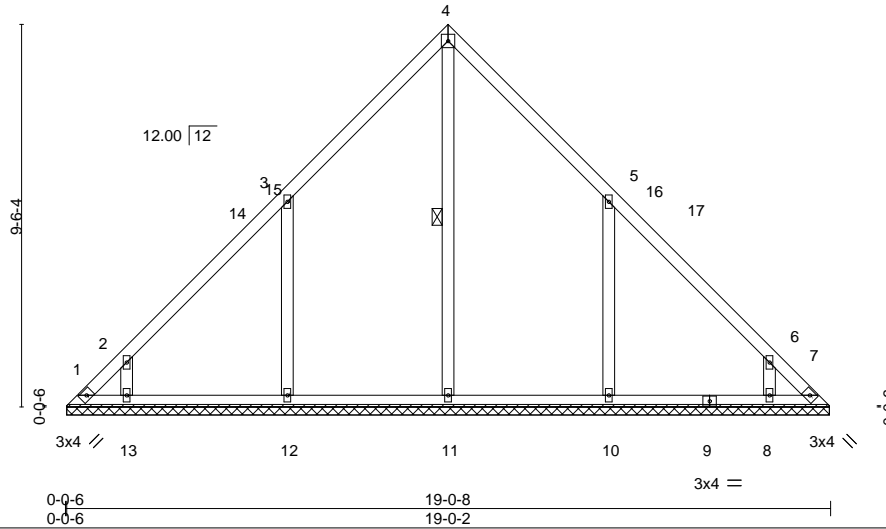
8.630 s Jul 12 2024 MiTek Industries, Inc. Wed Aug 14 09:09:08 2024 Page 1

ID: _09zqKsf9De2KkT15adaCvyCKWg-RfC?PsB70Hq3NSgPqnL8w3uITXbGKWrcDoi7J4zJC?f



4x4 =

Scale = 1:57.3



LOADING (psf)	SPACING-	2-0-0	CSI.	DEFL.	in (loc)	l/defl	L/d	PLATES	GRIP	
TCLL 20.0	Plate Grip DOL	1.15	TC 0.16	Vert(LL)	n/a	-	n/a	999	MT20	244/190
TCDL 10.0	Lumber DOL	1.15	BC 0.19	Vert(CT)	n/a	-	n/a	999		
BCLL 0.0 *	Rep Stress Incr	YES	WB 0.18	Horz(CT)	0.00	7	n/a	n/a		
BCDL 10.0	Code IRC2015/TPI2014		Matrix-S						Weight: 98 lb	FT = 20%

LUMBER-
 TOP CHORD 2x4 SP No.1
 BOT CHORD 2x4 SP No.1
 OTHERS 2x4 SP No.2

BRACING-
 TOP CHORD Structural wood sheathing directly applied or 6-0-0 oc purlins.
 BOT CHORD Rigid ceiling directly applied or 10-0-0 oc bracing.
 WEBS 1 Row at midpt 4-11

REACTIONS. All bearings 18-11-12.
 (lb) - Max Horz 1=-220(LC 8)
 Max Uplift All uplift 100 lb or less at joint(s) except 1=-142(LC 10), 7=-106(LC 11), 12=-185(LC 12), 13=-133(LC 12), 10=-184(LC 13), 8=-133(LC 13)
 Max Grav All reactions 250 lb or less at joint(s) 1, 7 except 11=433(LC 22), 12=490(LC 19), 13=281(LC 19), 10=489(LC 20), 8=282(LC 20)

FORCES. (lb) - Max. Comp./Max. Ten. - All forces 250 (lb) or less except when shown.
 TOP CHORD 1-2=-271/235, 6-7=-271/235
 WEBS 3-12=-405/309, 2-13=-314/267, 5-10=-405/309, 6-8=-314/267

NOTES-

- Unbalanced roof live loads have been considered for this design.
- Wind: ASCE 7-10; Vult=130mph Vasd=103mph; TCCL=6.0psf; BCDL=6.0psf; h=15ft; Cat. II; Exp C; Enclosed; MWFRS (envelope) and C-C Exterior(2) 0-4-4 to 4-9-0, Interior(1) 4-9-0 to 9-6-4, Exterior(2) 9-6-4 to 13-11-1, Interior(1) 13-11-1 to 18-8-5 zone; C-C for members and forces & MWFRS for reactions shown; Lumber DOL=1.60 plate grip DOL=1.60
- All plates are 2x4 MT20 unless otherwise indicated.
- Gable requires continuous bottom chord bearing.
- This truss has been designed for a 10.0 psf bottom chord live load nonconcurrent with any other live loads.
- * This truss has been designed for a live load of 30.0psf on the bottom chord in all areas where a rectangle 3-6-0 tall by 2-0-0 wide will fit between the bottom chord and any other members, with BCDL = 10.0psf.
- Provide mechanical connection (by others) of truss to bearing plate capable of withstanding 142 lb uplift at joint 1, 106 lb uplift at joint 7, 185 lb uplift at joint 12, 133 lb uplift at joint 13, 184 lb uplift at joint 10 and 133 lb uplift at joint 8.



August 14, 2024

WARNING - Verify design parameters and READ NOTES ON THIS AND INCLUDED MITEK REFERENCE PAGE MII-7473 rev. 1/2/2023 BEFORE USE.

Design valid for use only with MiTek® connectors. This design is based only upon parameters shown, and is for an individual building component, not a truss system. Before use, the building designer must verify the applicability of design parameters and properly incorporate this design into the overall building design. Bracing indicated is to prevent buckling of individual truss web and/or chord members only. Additional temporary and permanent bracing is always required for stability and to prevent collapse with possible personal injury and property damage. For general guidance regarding the fabrication, storage, delivery, erection and bracing of trusses and truss systems, see **ANSI/TP1 Quality Criteria and DSB-22** available from Truss Plate Institute (www.tpinst.org) and **BCSI Building Component Safety Information** available from the Structural Building Component Association (www.sbcacomponents.com)



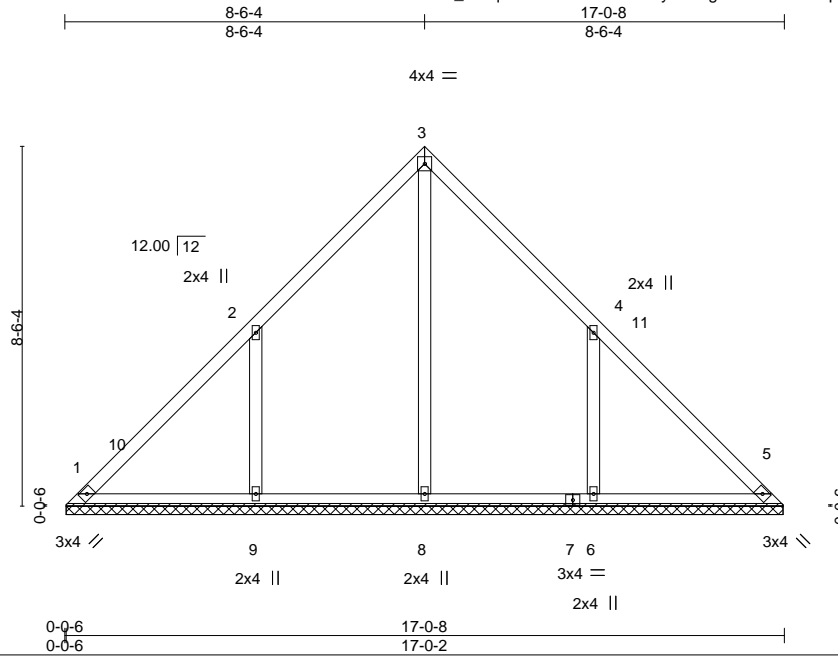
818 Soundside Road
 Edenton, NC 27932

Job J0824-4469	Truss VB2	Truss Type Valley	Qty 1	Ply 1	Lot 8 HNC Job Reference (optional)	167541214
-------------------	--------------	----------------------	----------	----------	---------------------------------------	-----------

Comtech, Inc. Fayetteville, NC - 28314,

8.630 s Jul 12 2024 MiTek Industries, Inc. Wed Aug 14 09:09:08 2024 Page 1

ID: _09zqKsf9De2KkT15adaCvyCKWg-RfC?PsB70Hq3NSgPqnL8w3uITXbGKWrCDoi7J4zJC?f



Scale = 1:54.6

LOADING (psf)	SPACING-	2-0-0	CSI.	DEFL.	in (loc)	l/defl	L/d	PLATES	GRIP
TCLL 20.0	Plate Grip DOL	1.15	TC 0.20	Vert(LL)	n/a	-	n/a	MT20	244/190
TCDL 10.0	Lumber DOL	1.15	BC 0.18	Vert(CT)	n/a	-	n/a		
BCLL 0.0 *	Rep Stress Incr	YES	WB 0.16	Horz(CT)	0.00	5	n/a		
BCDL 10.0	Code IRC2015/TPI2014		Matrix-S					Weight: 83 lb	FT = 20%

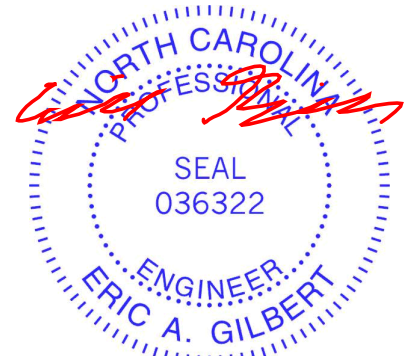
LUMBER-
 TOP CHORD 2x4 SP No.1
 BOT CHORD 2x4 SP No.1
 OTHERS 2x4 SP No.2

BRACING-
 TOP CHORD Structural wood sheathing directly applied or 6-0-0 oc purlins.
 BOT CHORD Rigid ceiling directly applied or 10-0-0 oc bracing.

REACTIONS. All bearings 16-11-12.
 (lb) - Max Horz 1=-196(LC 10)
 Max Uplift All uplift 100 lb or less at joint(s) 1 except 9=-205(LC 12), 6=-205(LC 13)
 Max Grav All reactions 250 lb or less at joint(s) 1, 5 except 8=416(LC 22), 9=532(LC 19), 6=532(LC 20)

FORCES. (lb) - Max. Comp./Max. Ten. - All forces 250 (lb) or less except when shown.
 WEBS 2-9=-441/329, 4-6=-441/329

- NOTES-**
- Unbalanced roof live loads have been considered for this design.
 - Wind: ASCE 7-10; Vult=130mph Vasd=103mph; TC DL=6.0psf; BCDL=6.0psf; h=15ft; Cat. II; Exp C; Enclosed; MWFRS (envelope) and C-C Exterior(2) 0-4-4 to 4-6-4, Interior(1) 4-6-4 to 8-6-4, Exterior(2) 8-6-4 to 12-11-1, Interior(1) 12-11-1 to 16-8-5 zone; C-C for members and forces & MWFRS for reactions shown; Lumber DOL=1.60 plate grip DOL=1.60
 - Gable requires continuous bottom chord bearing.
 - This truss has been designed for a 10.0 psf bottom chord live load nonconcurrent with any other live loads.
 - * This truss has been designed for a live load of 30.0psf on the bottom chord in all areas where a rectangle 3-6-0 tall by 2-0-0 wide will fit between the bottom chord and any other members, with BCDL = 10.0psf.
 - Provide mechanical connection (by others) of truss to bearing plate capable of withstanding 100 lb uplift at joint(s) 1 except (jt=lb) 9=205, 6=205.



August 14, 2024

WARNING - Verify design parameters and READ NOTES ON THIS AND INCLUDED MITEK REFERENCE PAGE MII-7473 rev. 1/2/2023 BEFORE USE.
 Design valid for use only with MiTek® connectors. This design is based only upon parameters shown, and is for an individual building component, not a truss system. Before use, the building designer must verify the applicability of design parameters and properly incorporate this design into the overall building design. Bracing indicated is to prevent buckling of individual truss web and/or chord members only. Additional temporary and permanent bracing is always required for stability and to prevent collapse with possible personal injury and property damage. For general guidance regarding the fabrication, storage, delivery, erection and bracing of trusses and truss systems, see **ANSI/TPH Quality Criteria and DSB-22** available from Truss Plate Institute (www.tpinst.org) and **BCSI Building Component Safety Information** available from the Structural Building Component Association (www.sbcacomponents.com)



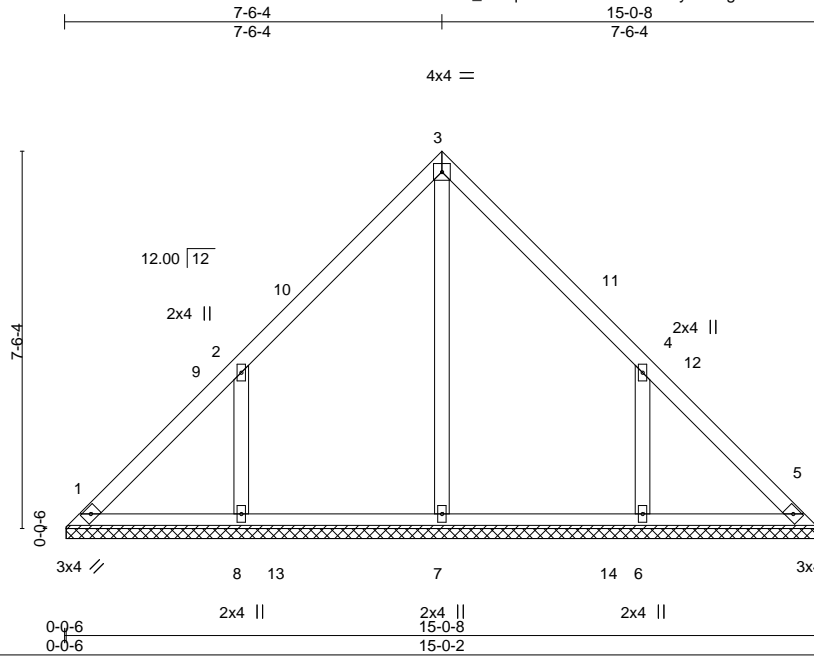
818 Soundside Road
 Edenton, NC 27932

Job	Truss	Truss Type	Qty	Ply	Lot 8 HNC	167541215
J0824-4469	VB3	Valley	1	1		

Comtech, Inc. Fayetteville, NC - 28314,

8.630 s Jul 12 2024 MiTek Industries, Inc. Wed Aug 14 09:09:09 2024 Page 1

ID: _09zqKsf9De2KkT15adaCvyCKWg-RfC?PsB70Hq3NSgPqnL8w3uITXbGKWrCDoi7J4zJC?f



Scale = 1:45.9

LOADING (psf)	SPACING-	2-0-0	CSI.	DEFL.	in (loc)	l/defl	L/d	PLATES	GRIP	
TCLL 20.0	Plate Grip DOL	1.15	TC 0.16	Vert(LL)	n/a	-	n/a	999	MT20	244/190
TCDL 10.0	Lumber DOL	1.15	BC 0.18	Vert(CT)	n/a	-	n/a	999		
BCLL 0.0 *	Rep Stress Incr	YES	WB 0.12	Horz(CT)	0.00	5	n/a	n/a		
BCDL 10.0	Code IRC2015/TPI2014		Matrix-S						Weight: 72 lb	FT = 20%

LUMBER-
TOP CHORD 2x4 SP No.1
BOT CHORD 2x4 SP No.1
OTHERS 2x4 SP No.2

BRACING-
TOP CHORD Structural wood sheathing directly applied or 6-0-0 oc purlins.
BOT CHORD Rigid ceiling directly applied or 10-0-0 oc bracing.

REACTIONS. All bearings 14-11-12.
(lb) - Max Horz 1=172(LC 8)
Max Uplift All uplift 100 lb or less at joint(s) 1, 5 except 8=180(LC 12), 6=180(LC 13)
Max Grav All reactions 250 lb or less at joint(s) 1, 5 except 7=412(LC 22), 8=447(LC 19), 6=447(LC 20)

FORCES. (lb) - Max. Comp./Max. Ten. - All forces 250 (lb) or less except when shown.
WEBS 2-8=390/303, 4-6=390/303

- NOTES-**
- Unbalanced roof live loads have been considered for this design.
 - Wind: ASCE 7-10; Vult=130mph Vasd=103mph; TCDL=6.0psf; BCDL=6.0psf; h=15ft; Cat. II; Exp C; Enclosed; MWFRS (envelope) and C-C Exterior(2) 0-4-4 to 4-9-0, Interior(1) 4-9-0 to 7-6-4, Exterior(2) 7-6-4 to 11-11-1, Interior(1) 11-11-1 to 14-8-5 zone; C-C for members and forces & MWFRS for reactions shown; Lumber DOL=1.60 plate grip DOL=1.60
 - Gable requires continuous bottom chord bearing.
 - This truss has been designed for a 10.0 psf bottom chord live load nonconcurrent with any other live loads.
 - * This truss has been designed for a live load of 30.0psf on the bottom chord in all areas where a rectangle 3-6-0 tall by 2-0-0 wide will fit between the bottom chord and any other members, with BCDL = 10.0psf.
 - Provide mechanical connection (by others) of truss to bearing plate capable of withstanding 100 lb uplift at joint(s) 1, 5 except (jt=lb) 8=180, 6=180.



August 14, 2024

WARNING - Verify design parameters and READ NOTES ON THIS AND INCLUDED MITEK REFERENCE PAGE MII-7473 rev. 1/2/2023 BEFORE USE.

Design valid for use only with MiTek® connectors. This design is based only upon parameters shown, and is for an individual building component, not a truss system. Before use, the building designer must verify the applicability of design parameters and properly incorporate this design into the overall building design. Bracing indicated is to prevent buckling of individual truss web and/or chord members only. Additional temporary and permanent bracing is always required for stability and to prevent collapse with possible personal injury and property damage. For general guidance regarding the fabrication, storage, delivery, erection and bracing of trusses and truss systems, see **ANSI/TPH Quality Criteria and DSB-22** available from Truss Plate Institute (www.tpinst.org) and **BCSI Building Component Safety Information** available from the Structural Building Component Association (www.sbcacomponents.com)



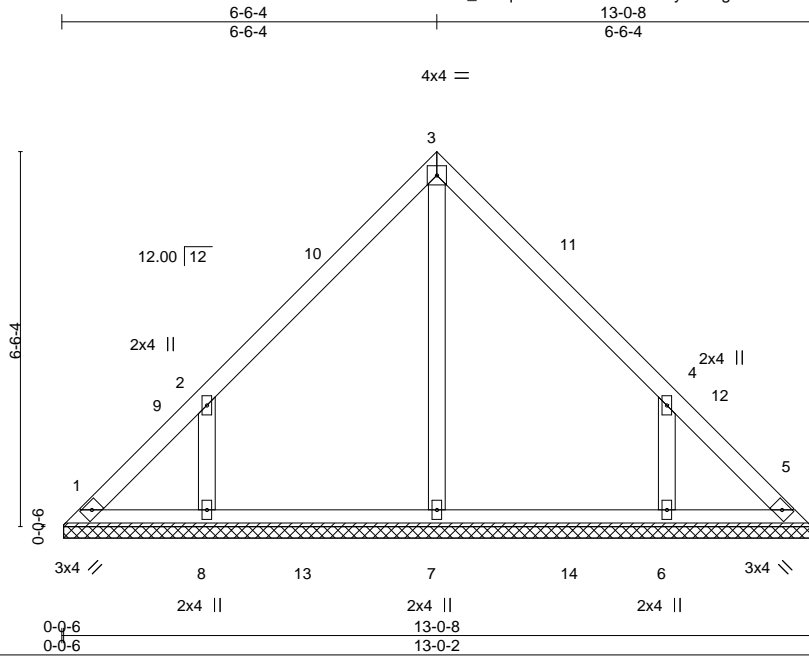
818 Soundside Road
Edenton, NC 27932

Job	Truss	Truss Type	Qty	Ply	Lot 8 HNC	167541216
J0824-4469	VB4	Valley	1	1		

Comtech, Inc. Fayetteville, NC - 28314,

8.630 s Jul 12 2024 MiTek Industries, Inc. Wed Aug 14 09:09:09 2024 Page 1

ID: _09zqKsf9De2KkT15adaCvyCKWg-RfC?PsB70Hq3NSgPqnL8w3uITXbGKWrCDoi7J4zJC?f



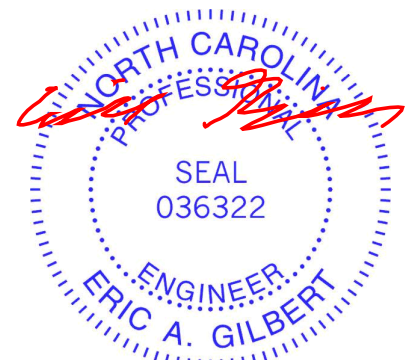
LOADING (psf)	SPACING-	2-0-0	CSI.	DEFL.	in (loc)	l/defl	L/d	PLATES	GRIP	
TCLL 20.0	Plate Grip DOL	1.15	TC 0.14	Vert(LL)	n/a	-	n/a	999	MT20	244/190
TCDL 10.0	Lumber DOL	1.15	BC 0.15	Vert(CT)	n/a	-	n/a	999		
BCLL 0.0 *	Rep Stress Incr	YES	WB 0.09	Horz(CT)	0.00	5	n/a	n/a		
BCDL 10.0	Code IRC2015/TPI2014		Matrix-S						Weight: 60 lb	FT = 20%

LUMBER-	BRACING-
TOP CHORD 2x4 SP No.1	TOP CHORD Structural wood sheathing directly applied or 6-0-0 oc purlins.
BOT CHORD 2x4 SP No.1	BOT CHORD Rigid ceiling directly applied or 10-0-0 oc bracing.
OTHERS 2x4 SP No.2	

REACTIONS. All bearings 12-11-12.
 (lb) - Max Horz 1=148(LC 8)
 Max Uplift All uplift 100 lb or less at joint(s) 1, 5 except 8=163(LC 12), 6=163(LC 13)
 Max Grav All reactions 250 lb or less at joint(s) 1, 5 except 7=385(LC 19), 8=374(LC 19), 6=374(LC 20)

FORCES. (lb) - Max. Comp./Max. Ten. - All forces 250 (lb) or less except when shown.
WEBS 2-8=-358/290, 4-6=-358/290

- NOTES-**
- Unbalanced roof live loads have been considered for this design.
 - Wind: ASCE 7-10; Vult=130mph Vasd=103mph; TCDL=6.0psf; BCDL=6.0psf; h=15ft; Cat. II; Exp C; Enclosed; MWFRS (envelope) and C-C Exterior(2) 0-4-4 to 4-9-0, Interior(1) 4-9-0 to 6-6-4, Exterior(2) 6-6-4 to 10-11-1, Interior(1) 10-11-1 to 12-8-5 zone; C-C for members and forces & MWFRS for reactions shown; Lumber DOL=1.60 plate grip DOL=1.60
 - Gable requires continuous bottom chord bearing.
 - This truss has been designed for a 10.0 psf bottom chord live load nonconcurrent with any other live loads.
 - * This truss has been designed for a live load of 30.0psf on the bottom chord in all areas where a rectangle 3-6-0 tall by 2-0-0 wide will fit between the bottom chord and any other members, with BCDL = 10.0psf.
 - Provide mechanical connection (by others) of truss to bearing plate capable of withstanding 100 lb uplift at joint(s) 1, 5 except (jt=lb) 8=163, 6=163.



August 14, 2024

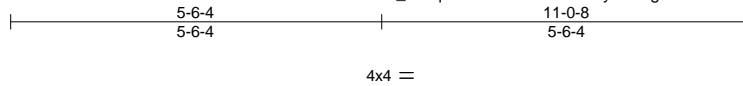
<p>WARNING - Verify design parameters and READ NOTES ON THIS AND INCLUDED MITEK REFERENCE PAGE MII-7473 rev. 1/2/2023 BEFORE USE.</p> <p>Design valid for use only with MiTek® connectors. This design is based only upon parameters shown, and is for an individual building component, not a truss system. Before use, the building designer must verify the applicability of design parameters and properly incorporate this design into the overall building design. Bracing indicated is to prevent buckling of individual truss web and/or chord members only. Additional temporary and permanent bracing is always required for stability and to prevent collapse with possible personal injury and property damage. For general guidance regarding the fabrication, storage, delivery, erection and bracing of trusses and truss systems, see ANSI/TPH Quality Criteria and DSB-22 available from Truss Plate Institute (www.tpinst.org) and BCSI Building Component Safety Information available from the Structural Building Component Association (www.sbcacomponents.com)</p>	<p>ENGINEERING BY</p> <p>TRENCO</p> <p>A MiTek Affiliate</p> <p>818 Soundside Road Edenton, NC 27932</p>
--	---

Job J0824-4469	Truss VB5	Truss Type Valley	Qty 1	Ply 1	Lot 8 HNC Job Reference (optional)	167541217
-------------------	--------------	----------------------	----------	----------	---------------------------------------	-----------

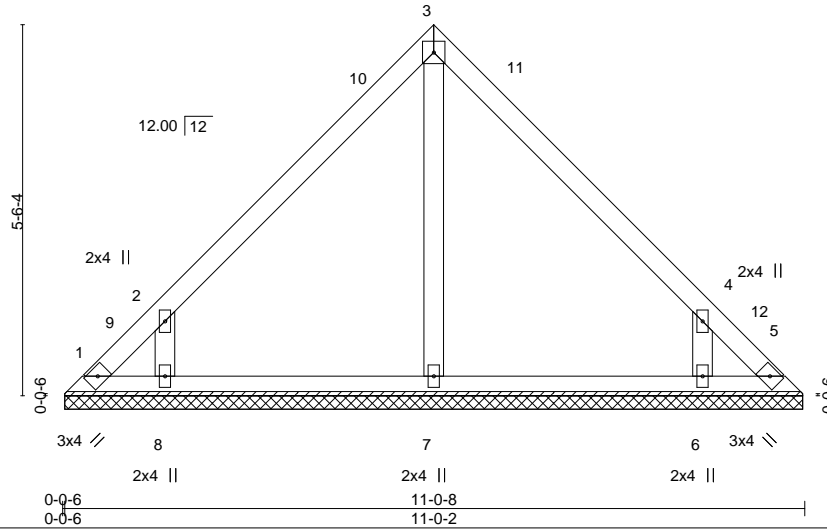
Comtech, Inc. Fayetteville, NC - 28314,

8.630 s Jul 12 2024 MiTek Industries, Inc. Wed Aug 14 09:09:09 2024 Page 1

ID: _09zqKsf9De2kKT15adaCvyCKWg-RfC?PsB70Hq3NSgPqnL8w3uITXbGKWrCDoi7J4zJC?f



Scale = 1:34.3



LOADING (psf)	SPACING-	2-0-0	CSI.	DEFL.	in (loc)	l/defl	L/d	PLATES	GRIP
TCLL 20.0	Plate Grip DOL	1.15	TC 0.15	Vert(LL)	n/a	-	n/a	MT20	244/190
TCDL 10.0	Lumber DOL	1.15	BC 0.09	Vert(CT)	n/a	-	n/a		
BCLL 0.0 *	Rep Stress Incr	YES	WB 0.06	Horz(CT)	0.00	5	n/a		
BCDL 10.0	Code IRC2015/TPI2014		Matrix-S					Weight: 48 lb	FT = 20%

LUMBER-
TOP CHORD 2x4 SP No.1
BOT CHORD 2x4 SP No.1
OTHERS 2x4 SP No.2

BRACING-
TOP CHORD Structural wood sheathing directly applied or 6-0-0 oc purlins.
BOT CHORD Rigid ceiling directly applied or 10-0-0 oc bracing.

REACTIONS. All bearings 10-11-12.
(lb) - Max Horz 1=124(LC 8)
Max Uplift All uplift 100 lb or less at joint(s) 1, 5 except 8=167(LC 12), 6=167(LC 13)
Max Grav All reactions 250 lb or less at joint(s) 1, 5, 7 except 8=349(LC 19), 6=349(LC 20)

FORCES. (lb) - Max. Comp./Max. Ten. - All forces 250 (lb) or less except when shown.
WEBS 2-8=-376/320, 4-6=-376/320

- NOTES-**
- Unbalanced roof live loads have been considered for this design.
 - Wind: ASCE 7-10; Vult=130mph Vasd=103mph; TCDL=6.0psf; BCDL=6.0psf; h=15ft; Cat. II; Exp C; Enclosed; MWFRS (envelope) and C-C Exterior(2) 0-4-4 to 4-9-0, Interior(1) 4-9-0 to 5-6-4, Exterior(2) 5-6-4 to 9-11-1, Interior(1) 9-11-1 to 10-8-5 zone; C-C for members and forces & MWFRS for reactions shown; Lumber DOL=1.60 plate grip DOL=1.60
 - Gable requires continuous bottom chord bearing.
 - This truss has been designed for a 10.0 psf bottom chord live load nonconcurrent with any other live loads.
 - * This truss has been designed for a live load of 30.0psf on the bottom chord in all areas where a rectangle 3-6-0 tall by 2-0-0 wide will fit between the bottom chord and any other members.
 - Provide mechanical connection (by others) of truss to bearing plate capable of withstanding 100 lb uplift at joint(s) 1, 5 except (jt=lb) 8=167, 6=167.



August 14, 2024

WARNING - Verify design parameters and READ NOTES ON THIS AND INCLUDED MITEK REFERENCE PAGE MII-7473 rev. 1/2/2023 BEFORE USE.
Design valid for use only with MiTek® connectors. This design is based only upon parameters shown, and is for an individual building component, not a truss system. Before use, the building designer must verify the applicability of design parameters and properly incorporate this design into the overall building design. Bracing indicated is to prevent buckling of individual truss web and/or chord members only. Additional temporary and permanent bracing is always required for stability and to prevent collapse with possible personal injury and property damage. For general guidance regarding the fabrication, storage, delivery, erection and bracing of trusses and truss systems, see **ANSI/TPH Quality Criteria and DSB-22** available from Truss Plate Institute (www.tpinst.org) and **BCSI Building Component Safety Information** available from the Structural Building Component Association (www.sbcacomponents.com)



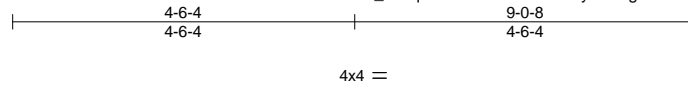
818 Soundside Road
Edenton, NC 27932

Job J0824-4469	Truss VB6	Truss Type Valley	Qty 1	Ply 1	Lot 8 HNC Job Reference (optional)	167541218
-------------------	--------------	----------------------	----------	----------	---------------------------------------	-----------

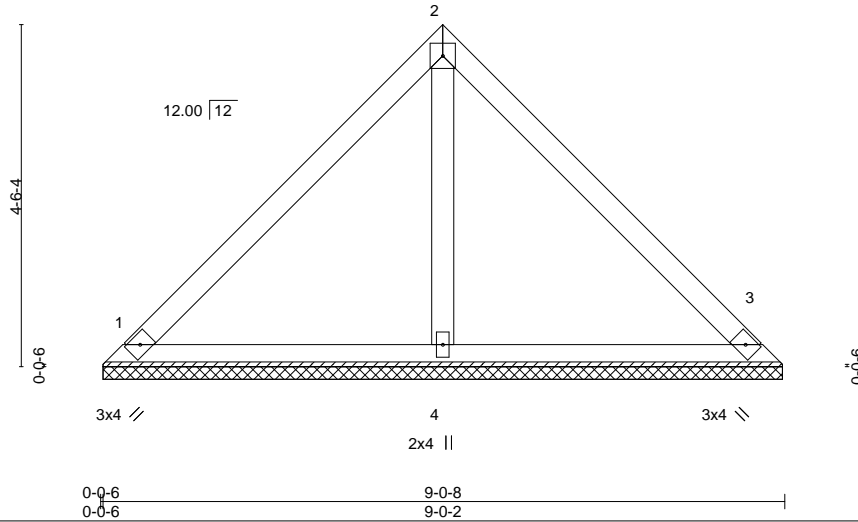
Comtech, Inc. Fayetteville, NC - 28314,

8.630 s Jul 12 2024 MiTek Industries, Inc. Wed Aug 14 09:09:10 2024 Page 1

ID: _09zqKsf9De2KkT15adaCvyCKWg-RfC?PsB70Hq3NSgPqnL8w3uITXbGKWrCDoi7J4zJC?f



Scale = 1:30.5



LOADING (psf)	SPACING-	2-0-0	CSI.	DEFL.	in (loc)	l/defl	L/d	PLATES	GRIP
TCLL 20.0	Plate Grip DOL	1.15	TC 0.30	Vert(LL)	n/a	-	n/a	MT20	244/190
TCDL 10.0	Lumber DOL	1.15	BC 0.13	Vert(CT)	n/a	-	n/a		
BCLL 0.0 *	Rep Stress Incr	YES	WB 0.05	Horz(CT)	0.00	3	n/a		
BCDL 10.0	Code IRC2015/TPI2014		Matrix-P					Weight: 37 lb	FT = 20%

LUMBER-
TOP CHORD 2x4 SP No.1
BOT CHORD 2x4 SP No.1
OTHERS 2x4 SP No.2

BRACING-
TOP CHORD Structural wood sheathing directly applied or 6-0-0 oc purlins.
BOT CHORD Rigid ceiling directly applied or 10-0-0 oc bracing.

REACTIONS. (size) 1=8-11-12, 3=8-11-12, 4=8-11-12
Max Horz 1=100(LC 9)
Max Uplift 1=-36(LC 13), 3=-36(LC 13)
Max Grav 1=203(LC 1), 3=203(LC 1), 4=261(LC 1)

FORCES. (lb) - Max. Comp./Max. Ten. - All forces 250 (lb) or less except when shown.

NOTES-

- 1) Unbalanced roof live loads have been considered for this design.
- 2) Wind: ASCE 7-10; Vult=130mph Vasd=103mph; TCDL=6.0psf; BCDL=6.0psf; h=15ft; Cat. II; Exp C; Enclosed; MWFRS (envelope) and C-C Exterior(2) zone; C-C for members and forces & MWFRS for reactions shown; Lumber DOL=1.60 plate grip DOL=1.60
- 3) Gable requires continuous bottom chord bearing.
- 4) This truss has been designed for a 10.0 psf bottom chord live load nonconcurrent with any other live loads.
- 5) * This truss has been designed for a live load of 30.0psf on the bottom chord in all areas where a rectangle 3-6-0 tall by 2-0-0 wide will fit between the bottom chord and any other members.
- 6) Provide mechanical connection (by others) of truss to bearing plate capable of withstanding 100 lb uplift at joint(s) 1, 3.



August 14, 2024

WARNING - Verify design parameters and READ NOTES ON THIS AND INCLUDED MITEK REFERENCE PAGE MII-7473 rev. 1/2/2023 BEFORE USE.

Design valid for use only with MiTek® connectors. This design is based only upon parameters shown, and is for an individual building component, not a truss system. Before use, the building designer must verify the applicability of design parameters and properly incorporate this design into the overall building design. Bracing indicated is to prevent buckling of individual truss web and/or chord members only. Additional temporary and permanent bracing is always required for stability and to prevent collapse with possible personal injury and property damage. For general guidance regarding the fabrication, storage, delivery, erection and bracing of trusses and truss systems, see **ANSI/TPH Quality Criteria and DSB-22** available from Truss Plate Institute (www.tpinst.org) and **BCSI Building Component Safety Information** available from the Structural Building Component Association (www.sbcacomponents.com)



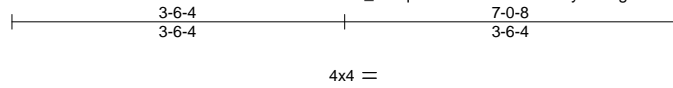
818 Soundside Road
Edenton, NC 27932

Job J0824-4469	Truss VB7	Truss Type Valley	Qty 1	Ply 1	Lot 8 HNC Job Reference (optional)	167541219
-------------------	--------------	----------------------	----------	----------	---------------------------------------	-----------

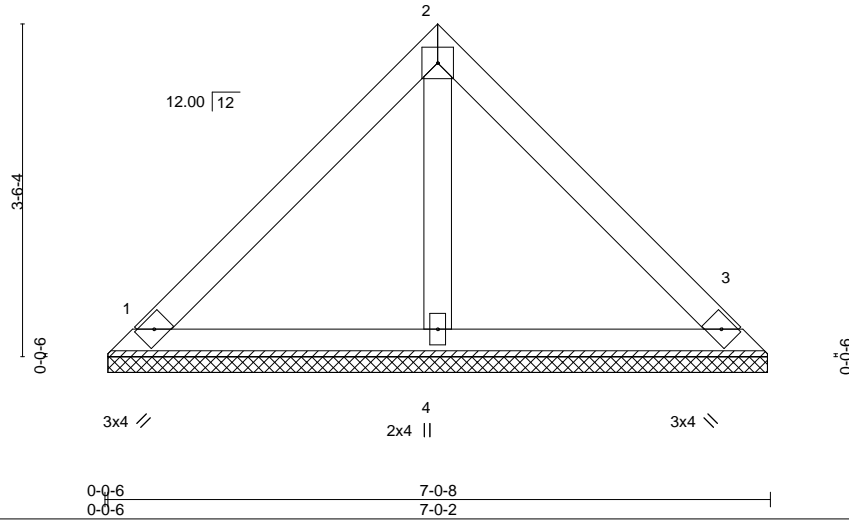
Comtech, Inc. Fayetteville, NC - 28314,

8.630 s Jul 12 2024 MiTek Industries, Inc. Wed Aug 14 09:09:10 2024 Page 1

ID: _09zqKsf9De2KkT15adaCvyCKWg-RfC?PsB70Hq3NSgPqnL8w3uITXbGKWrcDoi7J4zJC?f



Scale = 1:24.4



LOADING (psf)	SPACING-	2-0-0	CSI.	DEFL.	in (loc)	l/defl	L/d	PLATES	GRIP
TCLL 20.0	Plate Grip DOL	1.15	TC 0.17	Vert(LL)	n/a	-	n/a	MT20	244/190
TCDL 10.0	Lumber DOL	1.15	BC 0.08	Vert(CT)	n/a	-	n/a		
BCLL 0.0 *	Rep Stress Incr	YES	WB 0.02	Horz(CT)	0.00	3	n/a		
BCDL 10.0	Code IRC2015/TPI2014		Matrix-P					Weight: 28 lb	FT = 20%

LUMBER-
 TOP CHORD 2x4 SP No.1
 BOT CHORD 2x4 SP No.1
 OTHERS 2x4 SP No.2

BRACING-
 TOP CHORD Structural wood sheathing directly applied or 6-0-0 oc purlins.
 BOT CHORD Rigid ceiling directly applied or 10-0-0 oc bracing.

REACTIONS. (size) 1=6-11-12, 3=6-11-12, 4=6-11-12
 Max Horz 1=76(LC 9)
 Max Uplift 1=28(LC 13), 3=28(LC 13)
 Max Grav 1=154(LC 1), 3=154(LC 1), 4=198(LC 1)

FORCES. (lb) - Max. Comp./Max. Ten. - All forces 250 (lb) or less except when shown.

NOTES-

- 1) Unbalanced roof live loads have been considered for this design.
- 2) Wind: ASCE 7-10; Vult=130mph Vasd=103mph; TC DL=6.0psf; BCDL=6.0psf; h=15ft; Cat. II; Exp C; Enclosed; MWFRS (envelope) and C-C Exterior(2) zone; C-C for members and forces & MWFRS for reactions shown; Lumber DOL=1.60 plate grip DOL=1.60
- 3) Gable requires continuous bottom chord bearing.
- 4) This truss has been designed for a 10.0 psf bottom chord live load nonconcurrent with any other live loads.
- 5) * This truss has been designed for a live load of 30.0psf on the bottom chord in all areas where a rectangle 3-6-0 tall by 2-0-0 wide will fit between the bottom chord and any other members.
- 6) Provide mechanical connection (by others) of truss to bearing plate capable of withstanding 100 lb uplift at joint(s) 1, 3.



August 14, 2024

WARNING - Verify design parameters and READ NOTES ON THIS AND INCLUDED MITEK REFERENCE PAGE MII-7473 rev. 1/2/2023 BEFORE USE.

Design valid for use only with MiTek® connectors. This design is based only upon parameters shown, and is for an individual building component, not a truss system. Before use, the building designer must verify the applicability of design parameters and properly incorporate this design into the overall building design. Bracing indicated is to prevent buckling of individual truss web and/or chord members only. Additional temporary and permanent bracing is always required for stability and to prevent collapse with possible personal injury and property damage. For general guidance regarding the fabrication, storage, delivery, erection and bracing of trusses and truss systems, see **ANSI/TP1 Quality Criteria and DSB-22** available from Truss Plate Institute (www.tpinst.org) and **BCSI Building Component Safety Information** available from the Structural Building Component Association (www.sbcacomponents.com)



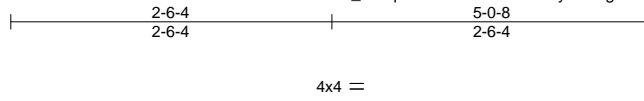
818 Soundside Road
 Edenton, NC 27932

Job J0824-4469	Truss VB8	Truss Type Valley	Qty 1	Ply 1	Lot 8 HNC Job Reference (optional)	167541220
-------------------	--------------	----------------------	----------	----------	---------------------------------------	-----------

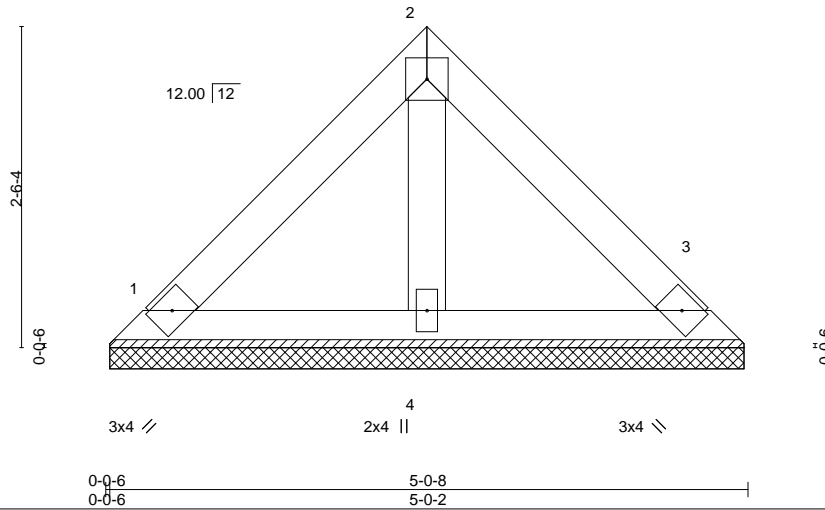
Comtech, Inc. Fayetteville, NC - 28314,

8.630 s Jul 12 2024 MiTek Industries, Inc. Wed Aug 14 09:09:11 2024 Page 1

ID: _09zqKsf9De2KkT15adaCvyCKWg-RfC?PsB70Hq3NSgPqnL8w3uITXbGKWwCDoi7J4zJC?f



Scale = 1:18.1



LOADING (psf)	SPACING-	2-0-0	CSI.	DEFL.	in (loc)	l/defl	L/d	PLATES	GRIP	
TCLL 20.0	Plate Grip DOL	1.15	TC 0.07	Vert(LL)	n/a	-	n/a	999	MT20	244/190
TCDL 10.0	Lumber DOL	1.15	BC 0.04	Vert(CT)	n/a	-	n/a	999		
BCLL 0.0 *	Rep Stress Incr	YES	WB 0.01	Horz(CT)	0.00	3	n/a	n/a		
BCDL 10.0	Code IRC2015/TPI2014		Matrix-P						Weight: 19 lb	FT = 20%

LUMBER-
 TOP CHORD 2x4 SP No.1
 BOT CHORD 2x4 SP No.1
 OTHERS 2x4 SP No.2

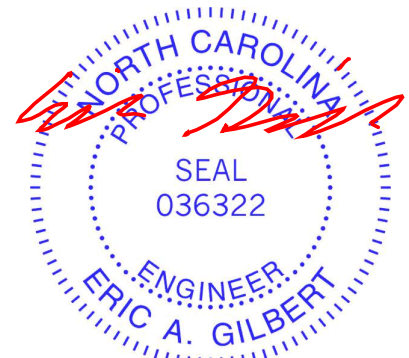
BRACING-
 TOP CHORD Structural wood sheathing directly applied or 5-0-8 oc purlins.
 BOT CHORD Rigid ceiling directly applied or 10-0-0 oc bracing.

REACTIONS. (size) 1=4-11-12, 3=4-11-12, 4=4-11-12
 Max Horz 1=52(LC 9)
 Max Uplift 1=-19(LC 13), 3=-19(LC 13)
 Max Grav 1=106(LC 1), 3=106(LC 1), 4=136(LC 1)

FORCES. (lb) - Max. Comp./Max. Ten. - All forces 250 (lb) or less except when shown.

NOTES-

- 1) Unbalanced roof live loads have been considered for this design.
- 2) Wind: ASCE 7-10; Vult=130mph Vasd=103mph; TC DL=6.0psf; BCDL=6.0psf; h=15ft; Cat. II; Exp C; Enclosed; MWFRS (envelope) and C-C Exterior(2) zone; C-C for members and forces & MWFRS for reactions shown; Lumber DOL=1.60 plate grip DOL=1.60
- 3) Gable requires continuous bottom chord bearing.
- 4) This truss has been designed for a 10.0 psf bottom chord live load nonconcurrent with any other live loads.
- 5) * This truss has been designed for a live load of 30.0psf on the bottom chord in all areas where a rectangle 3-6-0 tall by 2-0-0 wide will fit between the bottom chord and any other members.
- 6) Provide mechanical connection (by others) of truss to bearing plate capable of withstanding 100 lb uplift at joint(s) 1, 3.



August 14, 2024

WARNING - Verify design parameters and READ NOTES ON THIS AND INCLUDED MITEK REFERENCE PAGE MII-7473 rev. 1/2/2023 BEFORE USE.

Design valid for use only with MiTek® connectors. This design is based only upon parameters shown, and is for an individual building component, not a truss system. Before use, the building designer must verify the applicability of design parameters and properly incorporate this design into the overall building design. Bracing indicated is to prevent buckling of individual truss web and/or chord members only. Additional temporary and permanent bracing is always required for stability and to prevent collapse with possible personal injury and property damage. For general guidance regarding the fabrication, storage, delivery, erection and bracing of trusses and truss systems, see **ANSI/TPH Quality Criteria and DSB-22** available from Truss Plate Institute (www.tpinst.org) and **BCSI Building Component Safety Information** available from the Structural Building Component Association (www.sbcacomponents.com)



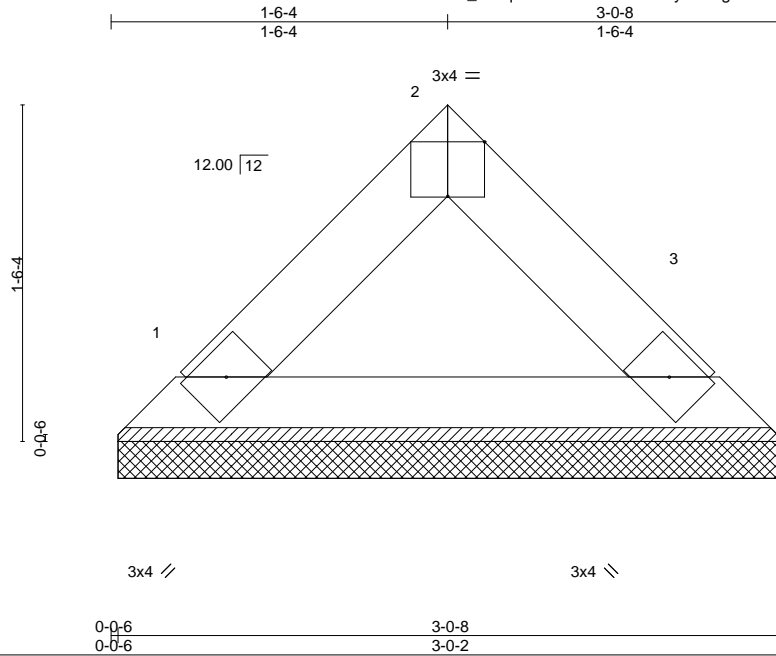
818 Soundside Road
 Edenton, NC 27932

Job J0824-4469	Truss VB9	Truss Type Valley	Qty 1	Ply 1	Lot 8 HNC Job Reference (optional)	167541221
-------------------	--------------	----------------------	----------	----------	---------------------------------------	-----------

Comtech, Inc, Fayetteville, NC - 28314,

8.630 s Jul 12 2024 MiTek Industries, Inc. Wed Aug 14 09:09:11 2024 Page 1

ID: _09zqKsf9De2KkT15adaCvyCKWg-RfC?PsB70Hq3NSgPqnL8w3uITXbGKWrcDoi7J4zJC?f



Scale = 1:10.4

Plate Offsets (X,Y)-- [2:0-2-0,Edge]		CSI.		DEFL.				PLATES	GRIP
LOADING (psf)	SPACING-	2-0-0	TC	in	(loc)	l/defl	L/d	MT20	244/190
TCLL 20.0	Plate Grip DOL	1.15	0.02	Vert(LL)	n/a	-	n/a		
TCDL 10.0	Lumber DOL	1.15	0.05	Vert(CT)	n/a	-	n/a		
BCLL 0.0 *	Rep Stress Incr	YES	0.00	Horz(CT)	0.00	3	n/a		
BCDL 10.0	Code	IRC2015/TPI2014	Matrix-P					Weight: 10 lb	FT = 20%

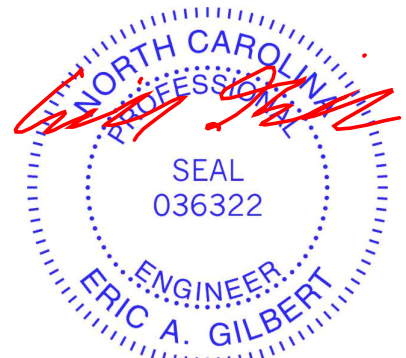
LUMBER-
 TOP CHORD 2x4 SP No.1
 BOT CHORD 2x4 SP No.1

BRACING-
 TOP CHORD Structural wood sheathing directly applied or 3-0-8 oc purlins.
 BOT CHORD Rigid ceiling directly applied or 10-0-0 oc bracing.

REACTIONS. (size) 1=2-11-12, 3=2-11-12
 Max Horz 1=28(LC 8)
 Max Uplift 1=3(LC 13), 3=3(LC 13)
 Max Grav 1=94(LC 1), 3=94(LC 1)

FORCES. (lb) - Max. Comp./Max. Ten. - All forces 250 (lb) or less except when shown.

- NOTES-**
- 1) Unbalanced roof live loads have been considered for this design.
 - 2) Wind: ASCE 7-10; Vult=130mph Vasd=103mph; TCDL=6.0psf; BCDL=6.0psf; h=15ft; Cat. II; Exp C; Enclosed; MWFRS (envelope) and C-C Exterior(2) zone; C-C for members and forces & MWFRS for reactions shown; Lumber DOL=1.60 plate grip DOL=1.60
 - 3) Gable requires continuous bottom chord bearing.
 - 4) This truss has been designed for a 10.0 psf bottom chord live load nonconcurrent with any other live loads.
 - 5) * This truss has been designed for a live load of 30.0psf on the bottom chord in all areas where a rectangle 3-6-0 tall by 2-0-0 wide will fit between the bottom chord and any other members.
 - 6) Provide mechanical connection (by others) of truss to bearing plate capable of withstanding 100 lb uplift at joint(s) 1, 3.



August 14, 2024

WARNING - Verify design parameters and READ NOTES ON THIS AND INCLUDED MITEK REFERENCE PAGE MII-7473 rev. 1/2/2023 BEFORE USE.
 Design valid for use only with MiTek® connectors. This design is based only upon parameters shown, and is for an individual building component, not a truss system. Before use, the building designer must verify the applicability of design parameters and properly incorporate this design into the overall building design. Bracing indicated is to prevent buckling of individual truss web and/or chord members only. Additional temporary and permanent bracing is always required for stability and to prevent collapse with possible personal injury and property damage. For general guidance regarding the fabrication, storage, delivery, erection and bracing of trusses and truss systems, see **ANSI/TP1 Quality Criteria and DSB-22** available from Truss Plate Institute (www.tpinst.org) and **BCSI Building Component Safety Information** available from the Structural Building Component Association (www.sbcacomponents.com)

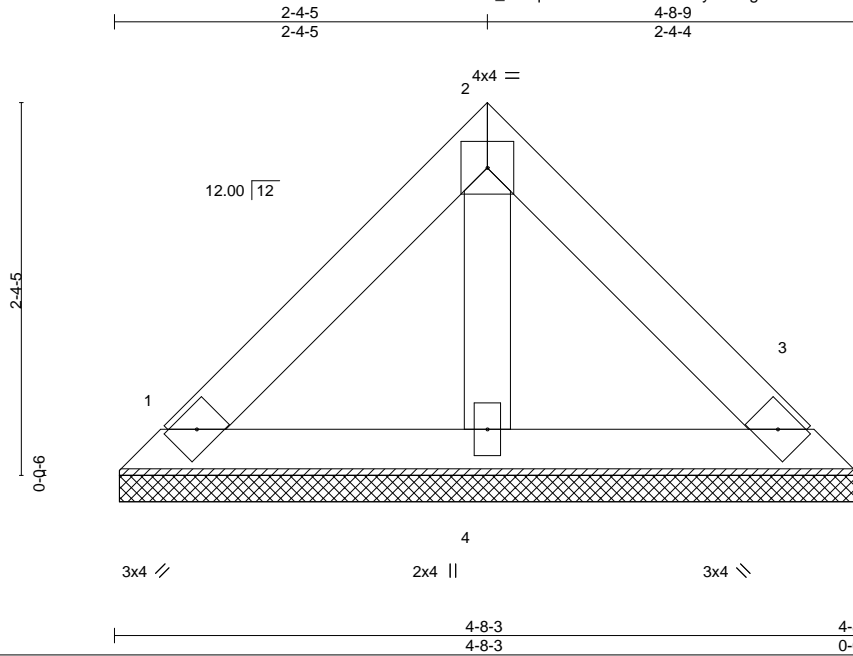
ENGINEERING BY
TRENCO
 A MiTek Affiliate
 818 Soundside Road
 Edenton, NC 27932

Job J0824-4469	Truss VD1	Truss Type VALLEY	Qty 1	Ply 1	Lot 8 HNC Job Reference (optional)	I67541222
-------------------	--------------	----------------------	----------	----------	---------------------------------------	-----------

Comtech, Inc. Fayetteville, NC - 28314,

8.630 s Jul 12 2024 MiTek Industries, Inc. Wed Aug 14 09:09:11 2024 Page 1

ID: _09zqKsf9De2KkT15adaCvyCKWg-RfC?PsB70Hq3NSgPqnL8w3uITXbGKWrCDoi7J4zJC?f



Scale = 1:14.6

LOADING (psf)	SPACING-	CSL.	DEFL.	in (loc)	l/defl	L/d	PLATES	GRIP
TCLL 20.0	2-0-0	TC 0.06	Vert(LL)	n/a	-	n/a	MT20	244/190
TCDL 10.0	Plate Grip DOL 1.15	BC 0.03	Vert(CT)	n/a	-	n/a		
BCLL 0.0 *	Lumber DOL 1.15	WB 0.01	Horz(CT)	0.00	3	n/a		
BCDL 10.0	Rep Stress Incr YES	Matrix-P					Weight: 18 lb	FT = 20%
	Code IRC2015/TPI2014							

LUMBER-
 TOP CHORD 2x4 SP No.1
 BOT CHORD 2x4 SP No.1
 OTHERS 2x4 SP No.2

BRACING-
 TOP CHORD Structural wood sheathing directly applied or 4-8-9 oc purlins.
 BOT CHORD Rigid ceiling directly applied or 10-0-0 oc bracing.

REACTIONS. (size) 1=4-7-13, 3=4-7-13, 4=4-7-13
 Max Horz 1=60(LC 8)
 Max Uplift 1=34(LC 13), 3=34(LC 13)
 Max Grav 1=98(LC 1), 3=98(LC 1), 4=125(LC 1)

FORCES. (lb) - Max. Comp./Max. Ten. - All forces 250 (lb) or less except when shown.

NOTES-

- 1) Unbalanced roof live loads have been considered for this design.
- 2) Wind: ASCE 7-10; Vult=130mph Vasd=103mph; TC DL=6.0psf; BC DL=6.0psf; h=15ft; Cat. II; Exp C; Enclosed; MWFRS (envelope) gable end zone and C-C Exterior(2) zone; C-C for members and forces & MWFRS for reactions shown; Lumber DOL=1.60 plate grip DOL=1.60
- 3) Gable requires continuous bottom chord bearing.
- 4) This truss has been designed for a 10.0 psf bottom chord live load nonconcurrent with any other live loads.
- 5) * This truss has been designed for a live load of 30.0psf on the bottom chord in all areas where a rectangle 3-6-0 tall by 2-0-0 wide will fit between the bottom chord and any other members.
- 6) Provide mechanical connection (by others) of truss to bearing plate capable of withstanding 100 lb uplift at joint(s) 1, 3.



August 14, 2024

WARNING - Verify design parameters and READ NOTES ON THIS AND INCLUDED MITEK REFERENCE PAGE MII-7473 rev. 1/2/2023 BEFORE USE.

Design valid for use only with MiTek® connectors. This design is based only upon parameters shown, and is for an individual building component, not a truss system. Before use, the building designer must verify the applicability of design parameters and properly incorporate this design into the overall building design. Bracing indicated is to prevent buckling of individual truss web and/or chord members only. Additional temporary and permanent bracing is always required for stability and to prevent collapse with possible personal injury and property damage. For general guidance regarding the fabrication, storage, delivery, erection and bracing of trusses and truss systems, see **ANSI/TP1 Quality Criteria and DSB-22** available from Truss Plate Institute (www.tpinst.org) and **BCSI Building Component Safety Information** available from the Structural Building Component Association (www.sbcacomponents.com)



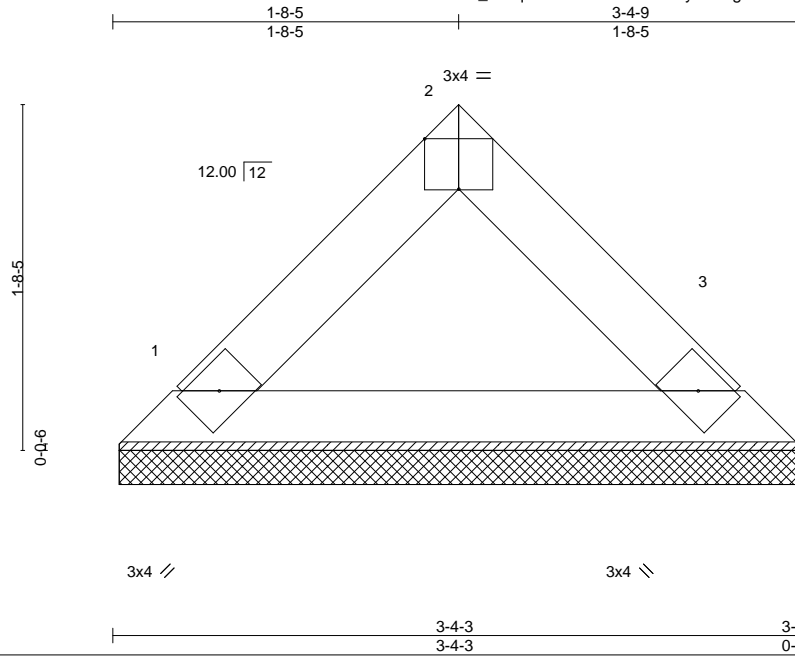
818 Soundside Road
 Edenton, NC 27932

Job J0824-4469	Truss VD2	Truss Type Valley	Qty 1	Ply 1	Lot 8 HNC	167541223
-------------------	--------------	----------------------	----------	----------	-----------	-----------

Comtech, Inc. Fayetteville, NC - 28314,

8.630 s Jul 12 2024 MiTek Industries, Inc. Wed Aug 14 09:09:12 2024 Page 1

ID: _09zqKsf9De2KkT15adaCvyCKWg-RfC?PsB70Hq3NSgPqnL8w3uITXbGKWrCDoi7J4zJC?f



Scale = 1:11.3

Plate Offsets (X,Y)-- [2:0-2-0,Edge]		CSI.		DEFL.				PLATES	GRIP
LOADING (psf)	SPACING-	2-0-0	TC	in	(loc)	l/defl	L/d	MT20	244/190
TCLL 20.0	Plate Grip DOL	1.15	0.03	Vert(LL)	n/a	-	n/a		
TCDL 10.0	Lumber DOL	1.15	0.06	Vert(CT)	n/a	-	n/a		
BCLL 0.0 *	Rep Stress Incr	YES	0.00	Horz(CT)	0.00	3	n/a		
BCDL 10.0	Code IRC2015/TPI2014		Matrix-P					Weight: 11 lb	FT = 20%

LUMBER-
TOP CHORD 2x4 SP No.1
BOT CHORD 2x4 SP No.1

BRACING-
TOP CHORD Structural wood sheathing directly applied or 3-4-9 oc purlins.
BOT CHORD Rigid ceiling directly applied or 10-0-0 oc bracing.

REACTIONS. (size) 1=3-3-13, 3=3-3-13
Max Horz 1=32(LC 8)
Max Uplift 1=3(LC 12), 3=3(LC 12)
Max Grav 1=107(LC 1), 3=107(LC 1)

FORCES. (lb) - Max. Comp./Max. Ten. - All forces 250 (lb) or less except when shown.

NOTES-

- 1) Unbalanced roof live loads have been considered for this design.
- 2) Wind: ASCE 7-10; Vult=130mph Vasd=103mph; TC DL=6.0psf; BCDL=6.0psf; h=15ft; Cat. II; Exp C; Enclosed; MWFRS (envelope) and C-C Exterior(2) zone; C-C for members and forces & MWFRS for reactions shown; Lumber DOL=1.60 plate grip DOL=1.60
- 3) Gable requires continuous bottom chord bearing.
- 4) This truss has been designed for a 10.0 psf bottom chord live load nonconcurrent with any other live loads.
- 5) * This truss has been designed for a live load of 30.0psf on the bottom chord in all areas where a rectangle 3-6-0 tall by 2-0-0 wide will fit between the bottom chord and any other members.
- 6) Provide mechanical connection (by others) of truss to bearing plate capable of withstanding 100 lb uplift at joint(s) 1, 3.



August 14, 2024

WARNING - Verify design parameters and READ NOTES ON THIS AND INCLUDED MITEK REFERENCE PAGE MII-7473 rev. 1/2/2023 BEFORE USE.

Design valid for use only with MiTek® connectors. This design is based only upon parameters shown, and is for an individual building component, not a truss system. Before use, the building designer must verify the applicability of design parameters and properly incorporate this design into the overall building design. Bracing indicated is to prevent buckling of individual truss web and/or chord members only. Additional temporary and permanent bracing is always required for stability and to prevent collapse with possible personal injury and property damage. For general guidance regarding the fabrication, storage, delivery, erection and bracing of trusses and truss systems, see **ANSI/TP1 Quality Criteria and DSB-22** available from Truss Plate Institute (www.tpinst.org) and **BCSI Building Component Safety Information** available from the Structural Building Component Association (www.sbcacomponents.com)



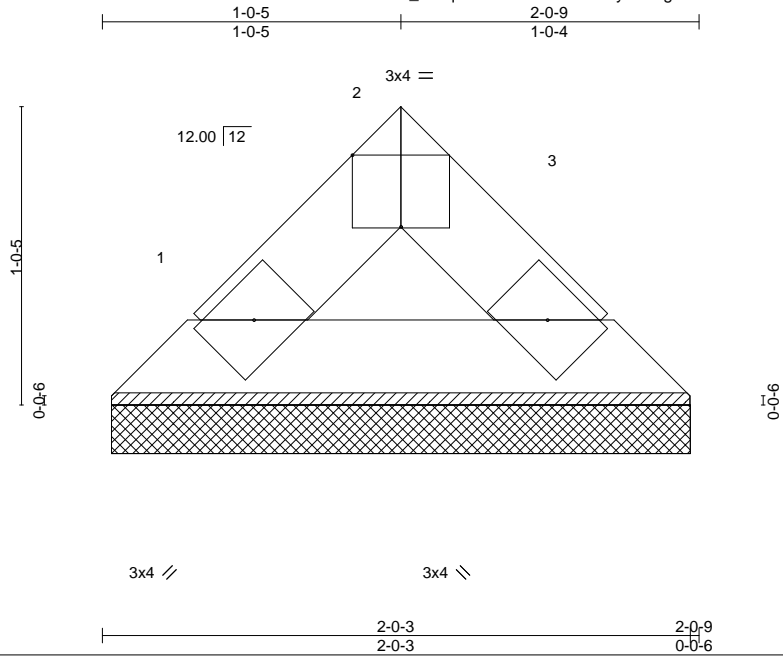
818 Soundside Road
Edenton, NC 27932

Job J0824-4469	Truss VD3	Truss Type VALLEY	Qty 1	Ply 1	Lot 8 HNC Job Reference (optional)	167541224
-------------------	--------------	----------------------	----------	----------	---------------------------------------	-----------

Comtech, Inc. Fayetteville, NC - 28314,

8.630 s Jul 12 2024 MiTek Industries, Inc. Wed Aug 14 09:09:12 2024 Page 1

ID: _09zqKsf9De2KkT15adaCvyCKWg-RfC?PsB70Hq3NSgPqnL8w3uITXbGKWrCDoi7J4zJC?f



Scale = 1:7.9

Plate Offsets (X,Y)--	[2:0-2-0,Edge]						
LOADING (psf)	SPACING-	2-0-0	CSI.	DEFL.	in (loc)	l/defl	L/d
TCLL 20.0	Plate Grip DOL	1.15	TC 0.01	Vert(LL)	n/a	-	n/a 999
TCDL 10.0	Lumber DOL	1.15	BC 0.01	Vert(CT)	n/a	-	n/a 999
BCLL 0.0 *	Rep Stress Incr	YES	WB 0.00	Horz(CT)	0.00	3	n/a n/a
BCDL 10.0	Code IRC2015/TPI2014		Matrix-P				
							PLATES
							MT20
							244/190
							Weight: 6 lb
							FT = 20%

LUMBER-		BRACING-	
TOP CHORD	2x4 SP No.1	TOP CHORD	Structural wood sheathing directly applied or 2-0-9 oc purlins.
BOT CHORD	2x4 SP No.1	BOT CHORD	Rigid ceiling directly applied or 10-0-0 oc bracing.

REACTIONS. (size) 1=1-11-13, 3=1-11-13
 Max Horz 1=-16(LC 8)
 Max Uplift 1=-2(LC 12), 3=-2(LC 12)
 Max Grav 1=54(LC 1), 3=54(LC 1)

FORCES. (lb) - Max. Comp./Max. Ten. - All forces 250 (lb) or less except when shown.

NOTES-

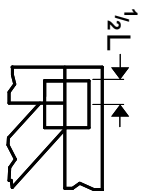
- 1) Unbalanced roof live loads have been considered for this design.
- 2) Wind: ASCE 7-10; Vult=130mph Vasd=103mph; TCDL=6.0psf; BCDL=6.0psf; h=15ft; Cat. II; Exp C; Enclosed; MWFRS (envelope) and C-C Exterior(2) zone; C-C for members and forces & MWFRS for reactions shown; Lumber DOL=1.60 plate grip DOL=1.60
- 3) Gable requires continuous bottom chord bearing.
- 4) This truss has been designed for a 10.0 psf bottom chord live load nonconcurrent with any other live loads.
- 5) * This truss has been designed for a live load of 30.0psf on the bottom chord in all areas where a rectangle 3-6-0 tall by 2-0-0 wide will fit between the bottom chord and any other members.
- 6) Provide mechanical connection (by others) of truss to bearing plate capable of withstanding 100 lb uplift at joint(s) 1, 3.



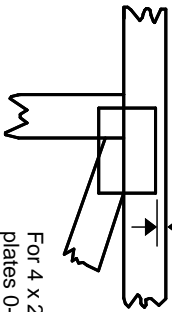
August 14, 2024

Symbols

PLATE LOCATION AND ORIENTATION



Center plate on joint unless x, y offsets are indicated. Dimensions are in ft-in-sixteenths. Apply plates to both sides of truss and fully embed teeth.



For 4 x 2 orientation, locate plates 0- 1/16" from outside edge of truss.



This symbol indicates the required direction of slots in connector plates.

* Plate location details available in MITek software or upon request.

PLATE SIZE

4 X 4

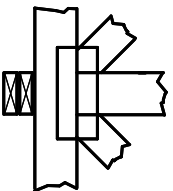
The first dimension is the plate width measured perpendicular to slots. Second dimension is the length parallel to slots.

LATERAL BRACING LOCATION



Indicated by symbol shown and/or by text in the bracing section of the output. Use T or I bracing if indicated.

BEARING



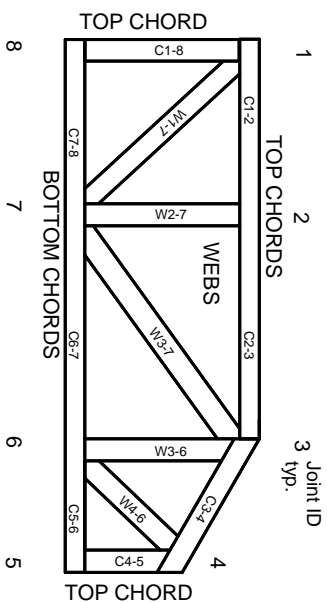
Indicates location where bearings (supports) occur. Icons vary but reaction section indicates joint number/letter where bearings occur. Min size shown is for crushing only.

Industry Standards:

ANSI/TP1: National Design Specification for Metal Plate Connected Wood Truss Construction.
DSB-22: Design Standard for Bracing.
BCSI: Building Component Safety Information, Guide to Good Practice for Handling, Installing, Restraining & Bracing of Metal Plate Connected Wood Trusses.

Numbering System

6-4-8 dimensions shown in ft-in-sixteenths (Drawings not to scale)



JOINTS ARE GENERALLY NUMBERED/LETTERED CLOCKWISE AROUND THE TRUSS STARTING AT THE JOINT FARTHEST TO THE LEFT.

CHORDS AND WEBS ARE IDENTIFIED BY END JOINT NUMBERS/LETTERS.

Product Code Approvals

ICC-ES Reports:

ESR-1988, ESR-2362, ESR-2685, ESR-3282
ESR-4722, ESL-1388

Design General Notes

Trusses are designed for wind loads in the plane of the truss unless otherwise shown.

Lumber design values are in accordance with ANSI/TP1 section 6.3. These truss designs rely on lumber values established by others.

© 2023 MITek® All Rights Reserved

MITek

ENGINEERING BY
TRENGO
A MITek Affiliate

MITek Engineering Reference Sheet: MIL-7473 rev. 1/2/2023

General Safety Notes

Failure to Follow Could Cause Property Damage or Personal Injury

1. Additional stability/bracing for truss system, e.g. diagonal or X-bracing, is always required. See BCSI.
2. Truss bracing must be designed by an engineer. For wide truss spacing, individual lateral braces themselves may require bracing, or alternative Tor I bracing should be considered.
3. Never exceed the design loading shown and never stack materials on inadequately braced trusses.
4. Provide copies of this truss design to the building designer, erection supervisor, property owner and all other interested parties.
5. Cut members to bear tightly against each other.
6. Place plates on each face of truss at each joint and embed fully. Knots and wane at joint locations are regulated by ANSI/TP1 1.
7. Design assumes trusses will be suitably protected from the environment in accord with ANSI/TP1 1.
8. Unless otherwise noted, moisture content of lumber shall not exceed 19% at time of fabrication.
9. Unless expressly noted, this design is not applicable for use with fire retardant, preservative treated, or green lumber.
10. Camber is a non-structural consideration and is the responsibility of truss fabricator. General practice is to camber for dead load deflection.
11. Plate type, size, orientation and location dimensions indicated are minimum plating requirements.
12. Lumber used shall be of the species and size, and in all respects, equal to or better than that specified.
13. Top chords must be sheathed or purlins provided at spacing indicated on design.
14. Bottom chords require lateral bracing at 10 ft. spacing, or less, if no ceiling is installed, unless otherwise noted.
15. Connections not shown are the responsibility of others.
16. Do not cut or alter truss member or plate without prior approval of an engineer.
17. Install and load vertically unless indicated otherwise.
18. Use of green or treated lumber may pose unacceptable environmental, health or performance risks. Consult with project engineer before use.
19. Review all portions of this design (front, back, words and pictures) before use. Reviewing pictures alone is not sufficient.
20. Design assumes manufacture in accordance with ANSI/TP1 1 Quality Criteria.
21. The design does not take into account any dynamic or other loads other than those expressly stated.