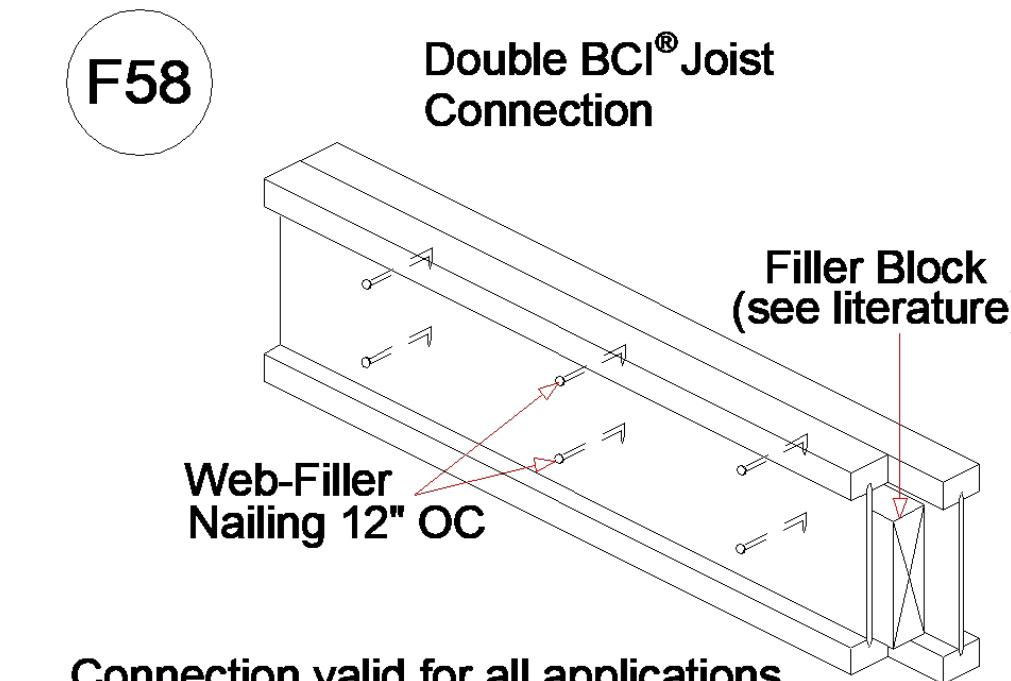


Connector Summary			
Qty	Manuf	Product	Flange
1	Simpson	HHUS410	None
3		HUC3514	None
13	Simpson	IUS2.37/14	None
3	Simpson	MIT3514-2	None

Products				
PlotID	Length	Product	Plies	Net Qty
J2-1	27-0-0	14" BCI® 6000s-1.8	1	3
J2-2	27-0-0	14" BCI® 6000s-1.8	2	4
J2-3	21-0-0	14" BCI® 6000s-1.8	1	5
J2-4	21-0-0	14" BCI® 6000s-1.8	2	2
J2-5	18-0-0	14" BCI® 6000s-1.8	1	31
J2-6	13-0-0	14" BCI® 6000s-1.8	1	4
J2-7	9-0-0	14" BCI® 6000s-1.8	1	2
J2-8	6-0-0	14" BCI® 6000s-1.8	1	7
J2-9	6-0-0	14" BCI® 6000s-1.8	2	2
BM2-1	8-0-0	1-3/4" x 9-1/2" VERSA-LAM® 2.0 3100 SP	2	2
BM2-2	10-0-0	1-3/4" x 11-7/8" VERSA-LAM® 2.0 3100 SP	2	2
BM2-3	10-0-0	1-3/4" x 14" VERSA-LAM® 2.0 3100 SP	2	2
BM2-4	8-0-0	1-3/4" x 14" VERSA-LAM® 2.0 3100 SP	2	2
BM2-5	22-0-0	1-3/4" x 18" VERSA-LAM® 2.0 3100 SP	3	3
Rim1	12-0-0	1-1/8" x 14" BC RIM BOARD OSB	1	17
Blk1	2-0-0	14" BLOCKING	1	35

Connect all 2-ply joists in the field per detail F58.



FOR PERMIT

Client:	MATTAMY HOMES-RALEIGH	LEVEL
Job:	LOT 61 PROVIDENCE CREEK	
Plan Information:	SHENANDOAH-CR	
	OPTIONS	
NOT TO SCALE	Date: DATE	
Drawn By: MBB	Job #: 24-0289-J02	Sales Rep: KYLE GIBSON
		Phone:

▲ = LEFT END OF TRUSS

REVISIONS:



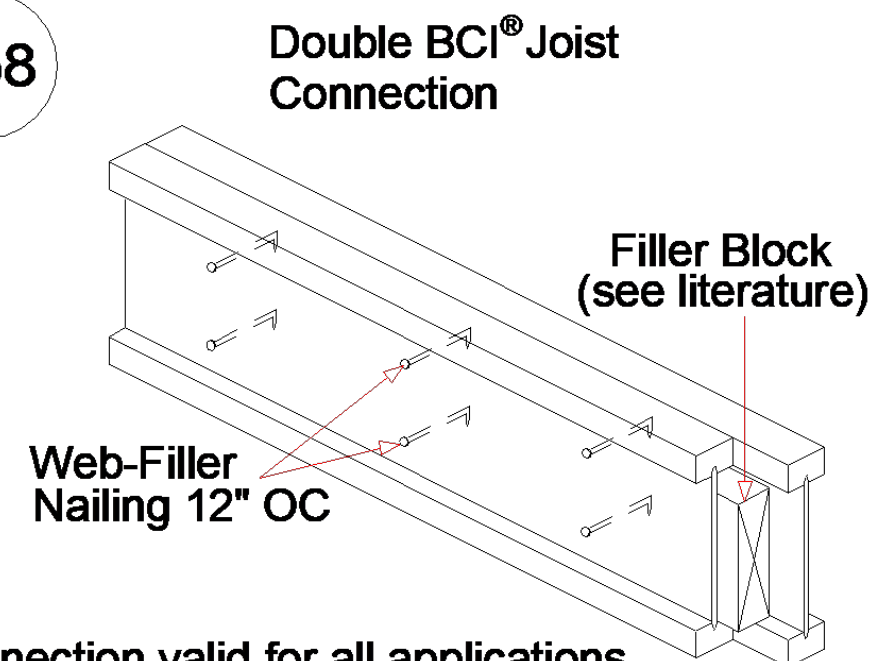
Moncks Corner/Easley, SC (800) 475-3999
Sparta, NC (336) 372-2226

Connector Summary			
Flange	Product	Manuf	Qty
None	HHUS410	Simpson	1
None	HUC3514		3
None	IUS2.37/14	Simpson	13
None	MIT3514-2	Simpson	3

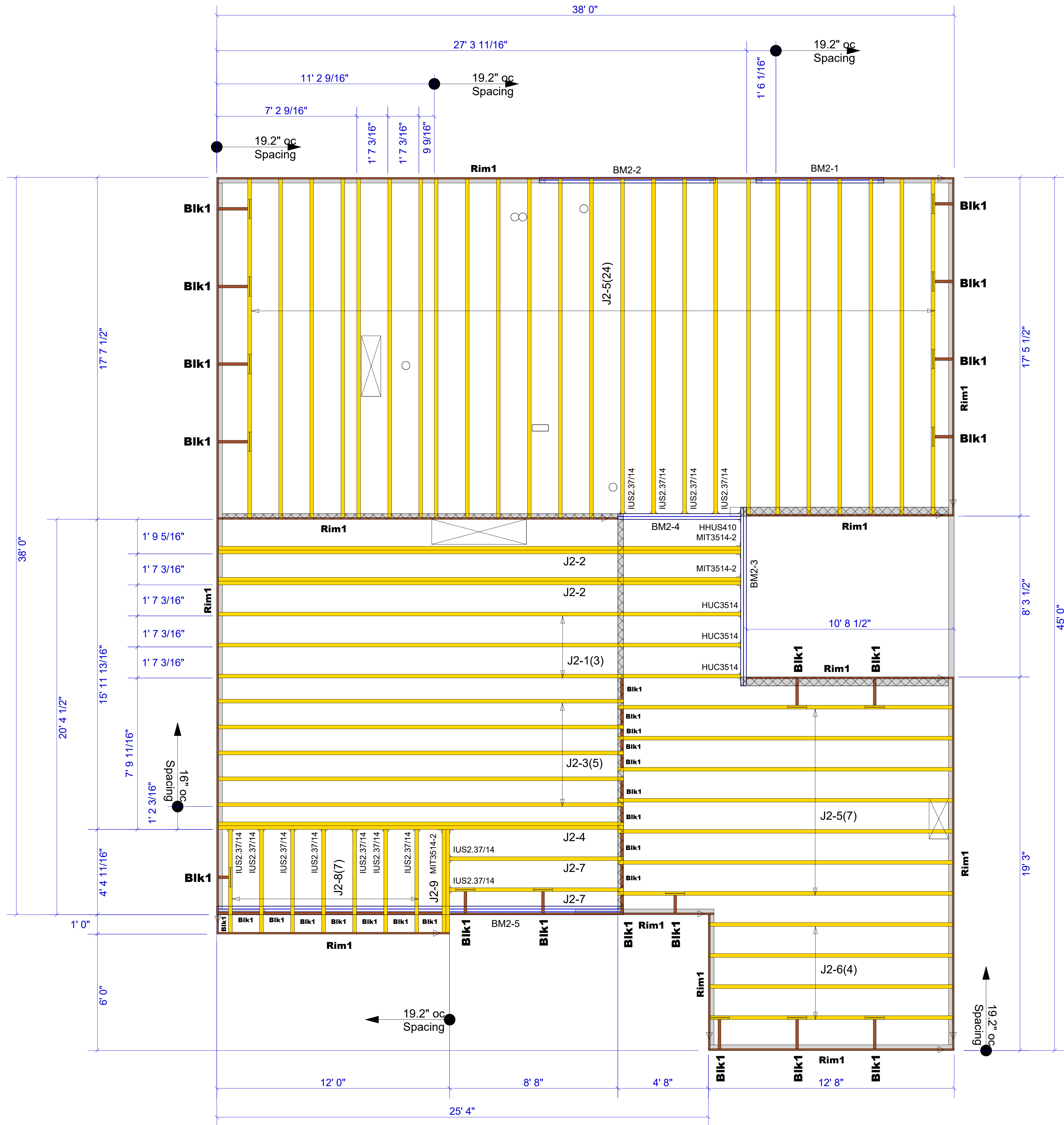
Products				
Net Qty	Plies	Product	Length	PlotID
3	1	14" BCI® 6000s-1.8	27-0-0	J2-1
4	2	14" BCI® 6000s-1.8	27-0-0	J2-2
5	1	14" BCI® 6000s-1.8	21-0-0	J2-3
2	2	14" BCI® 6000s-1.8	21-0-0	J2-4
31	1	14" BCI® 6000s-1.8	18-0-0	J2-5
4	1	14" BCI® 6000s-1.8	13-0-0	J2-6
2	1	14" BCI® 6000s-1.8	9-0-0	J2-7
7	1	14" BCI® 6000s-1.8	6-0-0	J2-8
2	2	14" BCI® 6000s-1.8	6-0-0	J2-9
2	2	1-3/4" x 9-1/2" VERSA-LAM® 2.0 3100 SP	8-0-0	BM2-1
2	2	1-3/4" x 11-7/8" VERSA-LAM® 2.0 3100 SP	10-0-0	BM2-2
2	2	1-3/4" x 14" VERSA-LAM® 2.0 3100 SP	10-0-0	BM2-3
2	2	1-3/4" x 14" VERSA-LAM® 2.0 3100 SP	8-0-0	BM2-4
3	3	1-3/4" x 18" VERSA-LAM® 2.0 3100 SP	22-0-0	BM2-5
17	1	1-1/8" x 14" BC RIM BOARD OSB	12-0-0	Rim1
35	1	14" BLOCKING	2-0-0	Blk1

Connect all 2-ply joists in the field per detail F58.

F58



Connection valid for all applications. Contact Boise EWP Engineering for specific conditions.



▲ = LEFT END OF TRUSS

REVISIONS:



Moncks Corner/Easley, SC (800) 475-3999
Sparta, NC (336) 372-2226

FOR PERMIT

Client:	MATTAMY HOMES-RALEIGH	LEVEL
Job:	LOT 61 PROVIDENCE CREEK	
Plan Information:	SHENANDOAH-CR	
	OPTIONS	
NOT TO SCALE	Date: DATE	
Drawn By: MBB	Job #: 24-0269-J02	Sales Rep: KYLE GIBSON
		Phone: