

RE: J1023-6082  
 Lot A Hobby Rd

Trenco  
 818 Soundside Rd  
 Edenton, NC 27932

**Site Information:**

Customer: Project Name: J1023-6082  
 Lot/Block: Model:  
 Address: Subdivision:  
 City: State:

**General Truss Engineering Criteria & Design Loads (Individual Truss Design Drawings Show Special Loading Conditions):**

Design Code: IRC2015/TPI2014 Design Program: MiTek 20/20 8.4  
 Wind Code: ASCE 7-10 Wind Speed: 120 mph  
 Roof Load: 40.0 psf Floor Load: N/A psf

This package includes 26 individual, dated Truss Design Drawings and 0 Additional Drawings.

No.	Seal#	Truss Name	Date	No.	Seal#	Truss Name	Date
1	I59138444	A01	6/23/2023	21	I59138464	J07	6/23/2023
2	I59138445	A01A	6/23/2023	22	I59138465	J07GE	6/23/2023
3	I59138446	A01AG	6/23/2023	23	I59138466	M01	6/23/2023
4	I59138447	A02	6/23/2023	24	I59138467	M01SG	6/23/2023
5	I59138448	A02A	6/23/2023	25	I59138468	PB01	6/23/2023
6	I59138449	B01	6/23/2023	26	I59138469	PB01GE	6/23/2023
7	I59138450	B01GR	6/23/2023				
8	I59138451	B01SG	6/23/2023				
9	I59138452	C01	6/23/2023				
10	I59138453	C01GE	6/23/2023				
11	I59138454	C02	6/23/2023				
12	I59138455	C02GE	6/23/2023				
13	I59138456	D01	6/23/2023				
14	I59138457	D01GE	6/23/2023				
15	I59138458	D02	6/23/2023				
16	I59138459	D03	6/23/2023				
17	I59138460	E01	6/23/2023				
18	I59138461	E01SG	6/23/2023				
19	I59138462	G01	6/23/2023				
20	I59138463	G01GE	6/23/2023				

The truss drawing(s) referenced above have been prepared by Truss Engineering Co. under my direct supervision based on the parameters provided by Comtech, Inc - Fayetteville.  
 Truss Design Engineer's Name: Gilbert, Eric  
 My license renewal date for the state of North Carolina is December 31, 2023.  
 North Carolina COA: C-0844

IMPORTANT NOTE: The seal on these truss component designs is a certification that the engineer named is licensed in the jurisdiction(s) identified and that the designs comply with ANSI/TPI 1. These designs are based upon parameters shown (e.g., loads, supports, dimensions, shapes and design codes), which were given to TRENCO. Any project specific information included is for TRENCO customers file reference purpose only, and was not taken into account in the preparation of these designs. TRENCO has not independently verified the applicability of the design parameters or the designs for any particular building. Before use, the building designer should verify applicability of design parameters and properly incorporate these designs into the overall building design per ANSI/TPI 1, Chapter 2.

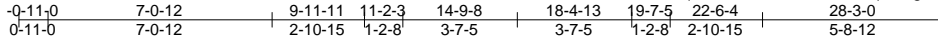


Job J1023-6082	Truss A01	Truss Type ATTIC	Qty 3	Ply 1	Lot A Hobby Rd Job Reference (optional)	I59138444
-------------------	--------------	---------------------	----------	----------	--	-----------

Comtech, Inc. Fayetteville, NC - 28314,

8.430 s Jan 6 2022 MiTek Industries, Inc. Thu Jun 22 18:11:24 2023 Page 1

ID:wAaOiCu?enbzDIvzeiq6d3zFzeT-RfC?PsB70Hq3NSgPqnL8w3uITXbGKwRCDoi7J4zJC?f



Scale = 1:72.6

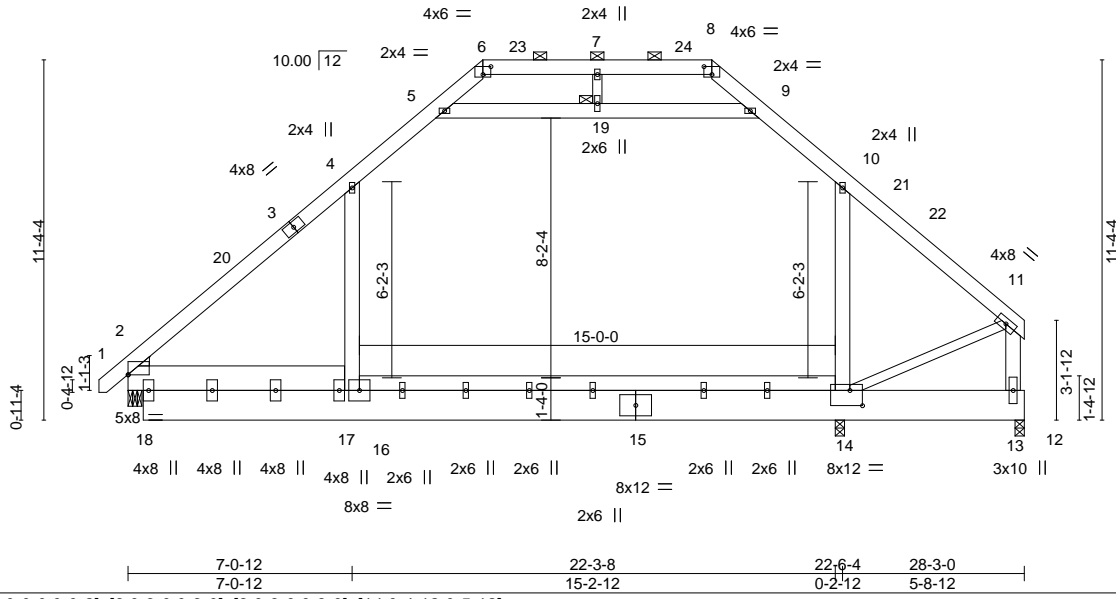


Plate Offsets (X,Y)--	[2:0-0,0,0-2], [6:0-3,0,0-3-0], [8:0-3,0,0-3-0], [14:0-4-12,0-5-12]
-----------------------	---

LOADING (psf)	SPACING-	2-0-0	CSI.	DEFL.	in (loc)	l/defl	L/d	PLATES	GRIP
TCLL 20.0	Plate Grip DOL	1.15	TC 0.81	Vert(LL)	-0.28 14-16	>948	360	MT20	244/190
TCDL 10.0	Lumber DOL	1.15	BC 0.96	Vert(CT)	-0.48 14-16	>558	240		
BCLL 0.0 *	Rep Stress Incr	YES	WB 0.31	Horz(CT)	-0.03 14	n/a	n/a		
BCDL 10.0	Code IRC2015/TP12014		Matrix-S	Wind(LL)	0.08 14-16	>999	240		
								Weight: 349 lb	FT = 20%

LUMBER-	BRACING-
TOP CHORD 2x6 SP No.1	TOP CHORD Structural wood sheathing directly applied or 4-4-9 oc purlins, except end verticals, and 2-0-0 oc purlins (6-0-0 max.): 6-8.
BOT CHORD 2x12 SP No.1 *Except* 14-16: 2x6 SP No.1, 2-17: 2x10 SP No.1	BOT CHORD Rigid ceiling directly applied or 2-2-0 oc bracing.
WEBS 2x6 SP No.1 *Except* 11-14,7-19: 2x4 SP No.2	JOINTS 1 Brace at Jt(s): 19
WEDGE Left: 2x4 SP No.3	

**REACTIONS.** (size) 14=0-3-8, 13=0-3-8, 2=0-5-4  
 Max Horz 2=202(LC 9)  
 Max Uplift 14=-14(LC 13)  
 Max Grav 14=944(LC 21), 13=1300(LC 20), 2=1705(LC 20)

**FORCES.** (lb) - Max. Comp./Max. Ten. - All forces 250 (lb) or less except when shown.  
 TOP CHORD 2-4=-1790/0, 4-5=-1218/95, 5-6=-377/233, 8-9=-415/207, 9-10=-1242/100,  
 10-11=-1723/0, 11-13=-1821/0, 6-7=-251/401, 7-8=-251/401  
 BOT CHORD 2-16=0/1237, 14-16=0/1215  
 WEBS 5-19=-1458/0, 9-19=-1458/0, 4-16=0/653, 10-14=-199/490, 11-14=0/1316

- NOTES-**
- 1) Unbalanced roof live loads have been considered for this design.
  - 2) Wind: ASCE 7-10; Vult=120mph Vasd=95mph; TCDL=6.0psf; BCDL=6.0psf; h=15ft; Cat. II; Exp C; Enclosed; MWFRS (envelope) and C-C Exterior(2) -0-9-9 to 3-7-4, Interior(1) 3-7-4 to 11-2-3, Exterior(2) 11-2-3 to 17-4-14, Interior(1) 17-4-14 to 18-4-13, Exterior(2) 18-4-13 to 24-7-8, Interior(1) 24-7-8 to 27-10-12 zone; end vertical left exposed; C-C for members and forces & MWFRS for reactions shown; Lumber DOL=1.60 plate grip DOL=1.60
  - 3) Provide adequate drainage to prevent water ponding.
  - 4) This truss has been designed for a 10.0 psf bottom chord live load nonconcurrent with any other live loads.
  - 5) \* This truss has been designed for a live load of 30.0psf on the bottom chord in all areas where a rectangle 3-6-0 tall by 2-0-0 wide will fit between the bottom chord and any other members.
  - 6) Ceiling dead load (10.0 psf) on member(s). 4-5, 9-10, 5-19, 9-19; Wall dead load (5.0psf) on member(s).4-16, 10-14
  - 7) Bottom chord live load (40.0 psf) and additional bottom chord dead load (10.0 psf) applied only to room. 14-16
  - 8) Provide mechanical connection (by others) of truss to bearing plate capable of withstanding 14 lb uplift at joint 14.
  - 9) Graphical purlin representation does not depict the size or the orientation of the purlin along the top and/or bottom chord.
  - 10) Attic room checked for L/360 deflection.



June 23, 2023

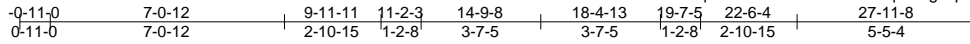
<p><b>WARNING - Verify design parameters and READ NOTES ON THIS AND INCLUDED MITEK REFERENCE PAGE MII-7473 rev. 1/2/2023 BEFORE USE.</b></p> <p>Design valid for use only with MiTek® connectors. This design is based only upon parameters shown, and is for an individual building component, not a truss system. Before use, the building designer must verify the applicability of design parameters and properly incorporate this design into the overall building design. Bracing indicated is to prevent buckling of individual truss web and/or chord members only. Additional temporary and permanent bracing is always required for stability and to prevent collapse with possible personal injury and property damage. For general guidance regarding the fabrication, storage, delivery, erection and bracing of trusses and truss systems, see <b>ANSI/TP1 Quality Criteria and DSB-22</b> available from Truss Plate Institute (www.tpinst.org) and <b>BCSI Building Component Safety Information</b> available from the Structural Building Component Association (www.sbcacomponents.com)</p>	<p>ENGINEERING BY</p> <p><b>TRENCO</b></p> <p>A MiTek Affiliate</p> <p>818 Soundside Road Edenton, NC 27932</p>
--	---

Job J1023-6082	Truss A01A	Truss Type ATTIC	Qty 3	Ply 1	Lot A Hobby Rd Job Reference (optional)	I59138445
-------------------	---------------	---------------------	----------	----------	--	-----------

Comtech, Inc. Fayetteville, NC - 28314,

8.430 s Jan 6 2022 MiTek Industries, Inc. Thu Jun 22 18:11:25 2023 Page 1

ID:wAaOiCu?enbzDIvzeiq6d3zFzeT-RfC?PsB70Hq3NSgPqnL8w3uITXbGKwRCDoi7J4zJC?f



Scale = 1:69.5

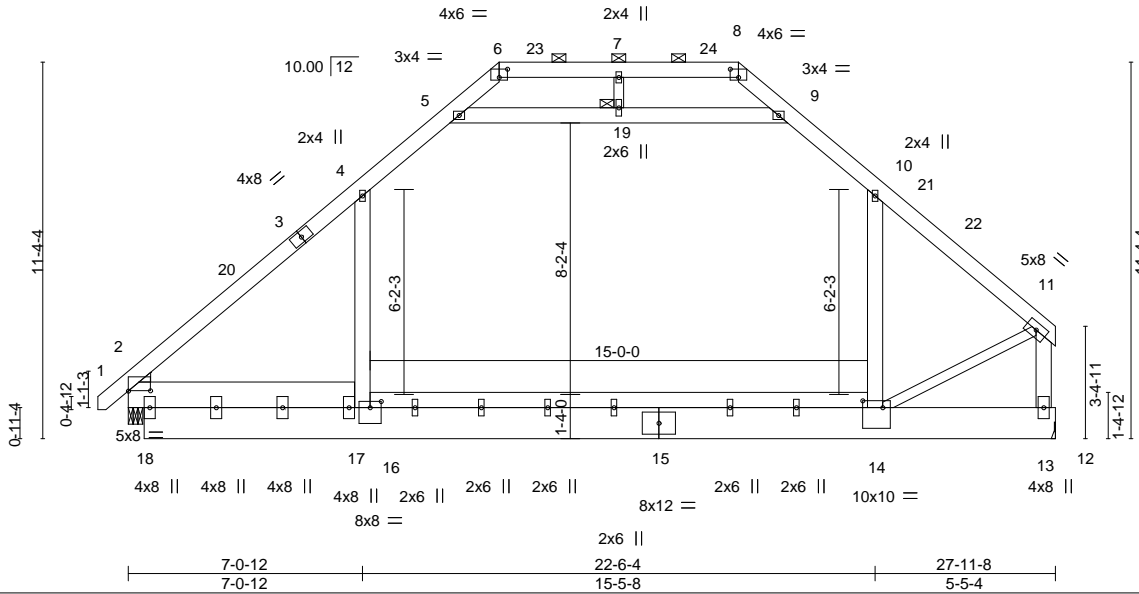


Plate Offsets (X,Y)--	[2:0-8-0,0-0-2], [6:0-3-0,0-3-0], [8:0-3-0,0-3-0], [14:0-7-4,0-2-8], [16:0-4-0,0-2-4]
-----------------------	---

LOADING (psf)	SPACING-	2-0-0	CSI.	DEFL.	in (loc)	l/defl	L/d	PLATES	GRIP
TCLL 20.0	Plate Grip DOL	1.15	TC 0.96	Vert(LL)	-0.28 14-16	>999	360	MT20	244/190
TCDL 10.0	Lumber DOL	1.15	BC 0.80	Vert(CT)	-0.47 14-16	>698	240		
BCLL 0.0 *	Rep Stress Incr	YES	WB 0.40	Horz(CT)	-0.02 13	n/a	n/a		
BCDL 10.0	Code IRC2015/TP12014		Matrix-S	Wind(LL)	0.07 14-16	>999	240		
								Weight: 347 lb	FT = 20%

LUMBER-	BRACING-
TOP CHORD 2x6 SP No.1 *Except* 8-11: 2x6 SP 2400F 2.0E	TOP CHORD Structural wood sheathing directly applied, except end verticals, and 2-0-0 oc purlins (6-0-0 max.): 6-8.
BOT CHORD 2x12 SP No.1 *Except* 14-16: 2x6 SP No.1, 2-17: 2x10 SP No.1	BOT CHORD Rigid ceiling directly applied or 7-8-13 oc bracing.
WEBS 2x6 SP No.1 *Except* 11-14,7-19: 2x4 SP No.2	JOINTS 1 Brace at Jt(s): 19
WEDGE Left: 2x4 SP No.3	

REACTIONS.	(size)
	13=Mechanical, 2=0-5-4
	Max Horz 2=202(LC 9)
	Max Grav 13=1863(LC 2), 2=1810(LC 20)

FORCES.	(lb) - Max. Comp./Max. Ten. - All forces 250 (lb) or less except when shown.
TOP CHORD	2-4=-2152/0, 4-5=-1400/87, 5-6=-289/389, 8-9=-317/380, 9-10=-1410/87, 10-11=-2003/0, 11-13=-2212/0, 6-7=-127/621, 7-8=-127/621
BOT CHORD	2-16=0/1411, 14-16=0/1401
WEBS	5-19=-1884/0, 9-19=-1884/0, 4-16=0/914, 10-14=-9/815, 11-14=0/1536

- NOTES-**
- 1) Unbalanced roof live loads have been considered for this design.
  - 2) Wind: ASCE 7-10; Vult=120mph Vasd=95mph; TCDL=6.0psf; BCDL=6.0psf; h=15ft; Cat. II; Exp C; Enclosed; MWFRS (envelope) and C-C Exterior(2) -0-9-9 to 3-7-4, Interior(1) 3-7-4 to 11-2-3, Exterior(2) 11-2-3 to 17-4-14, Interior(1) 17-4-14 to 18-4-13, Exterior(2) 18-4-13 to 24-7-8, Interior(1) 24-7-8 to 27-7-4 zone; end vertical left exposed; C-C for members and forces & MWFRS for reactions shown; Lumber DOL=1.60 plate grip DOL=1.60
  - 3) Provide adequate drainage to prevent water ponding.
  - 4) This truss has been designed for a 10.0 psf bottom chord live load nonconcurrent with any other live loads.
  - 5) \* This truss has been designed for a live load of 30.0psf on the bottom chord in all areas where a rectangle 3-6-0 tall by 2-0-0 wide will fit between the bottom chord and any other members.
  - 6) Ceiling dead load (10.0 psf) on member(s). 4-5, 9-10, 5-19, 9-19; Wall dead load (5.0psf) on member(s).4-16, 10-14
  - 7) Bottom chord live load (40.0 psf) and additional bottom chord dead load (10.0 psf) applied only to room. 14-16
  - 8) Refer to girder(s) for truss to truss connections.
  - 9) Graphical purlin representation does not depict the size or the orientation of the purlin along the top and/or bottom chord.
  - 10) Attic room checked for L/360 deflection.



June 23, 2023

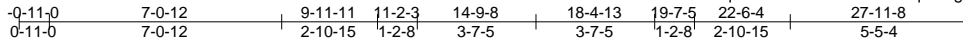
<p><b>WARNING - Verify design parameters and READ NOTES ON THIS AND INCLUDED MITEK REFERENCE PAGE MII-7473 rev. 1/2/2023 BEFORE USE.</b></p> <p>Design valid for use only with MiTek® connectors. This design is based only upon parameters shown, and is for an individual building component, not a truss system. Before use, the building designer must verify the applicability of design parameters and properly incorporate this design into the overall building design. Bracing indicated is to prevent buckling of individual truss web and/or chord members only. Additional temporary and permanent bracing is always required for stability and to prevent collapse with possible personal injury and property damage. For general guidance regarding the fabrication, storage, delivery, erection and bracing of trusses and truss systems, see <b>ANSI/TP1 Quality Criteria and DSB-22</b> available from Truss Plate Institute (www.tpinst.org) and <b>BCSI Building Component Safety Information</b> available from the Structural Building Component Association (www.sbcacomponents.com)</p>	<p>ENGINEERING BY <b>TRENCO</b> A MiTek Affiliate</p> <p>818 Soundside Road Edenton, NC 27932</p>
--	---

Job J1023-6082	Truss A01AG	Truss Type GABLE	Qty 1	Ply 1	Lot A Hobby Rd Job Reference (optional)	I59138446
-------------------	----------------	---------------------	----------	----------	--	-----------

Comtech, Inc. Fayetteville, NC - 28314,

8.430 s Jan 6 2022 MiTek Industries, Inc. Thu Jun 22 18:11:27 2023 Page 1

ID:wAaOiCu?enbzDIvzeiq6d3zFzeT-RfC?PsB70Hq3NSgPqnL8w3uITXbGKWrCDoi7J4zJC?f



Scale = 1:70.0

Plate Offsets (X,Y)-- [2:0-4-9,0-3-6], [6:0-3-0,0-3-0], [16:0-4-0,0-3-8]

LOADING (psf)	SPACING-	CSI.	DEFL.	PLATES	GRIP
TCLL 20.0	2-0-0	TC 0.42	in (loc) l/defl L/d	MT20	244/190
TCDL 10.0	Plate Grip DOL 1.15	BC 0.33	Vert(LL) -0.00 1 n/r 120		
BCLL 0.0 *	Lumber DOL 1.15	WB 0.34	Vert(CT) -0.00 1 n/r 120		
BCDL 10.0	Rep Stress Incr YES	Matrix-S	Horz(CT) 0.00 16 n/a n/a		
	Code IRC2015/TPI2014			Weight: 357 lb	FT = 20%

**LUMBER-**  
TOP CHORD 2x6 SP No.1  
BOT CHORD 2x12 SP No.1 \*Except\*  
19-21: 2x6 SP No.1, 2-22: 2x10 SP No.1  
WEBS 2x6 SP No.1  
OTHERS 2x4 SP No.2  
WEDGE  
Left: 2x6 SP No.2

**BRACING-**  
TOP CHORD Structural wood sheathing directly applied or 6-0-0 oc purlins, except end verticals, and 2-0-0 oc purlins (6-0-0 max.): 6-10.  
BOT CHORD Rigid ceiling directly applied or 10-0-0 oc bracing.  
JOINTS 1 Brace at Jt(s): 24, 25, 26

**REACTIONS.** All bearings 27-11-8.  
(lb) - Max Horz 2=252(LC 9)  
Max Uplift All uplift 100 lb or less at joint(s) 2, 16 except 21=114(LC 12), 17=559(LC 1), 18=1355(LC 18)  
Max Grav All reactions 250 lb or less at joint(s) 17 except 2=522(LC 1), 21=1469(LC 20), 19=2136(LC 18), 16=980(LC 1)

**FORCES.** (lb) - Max. Comp./Max. Ten. - All forces 250 (lb) or less except when shown.  
TOP CHORD 2-4=-563/219, 4-5=-615/195, 5-6=-887/109, 10-11=-906/143, 11-12=-619/185, 12-13=-255/109, 13-14=-406/35, 14-15=-569/56, 15-16=-544/38, 6-7=-822/116, 7-8=-822/116, 8-9=-822/116, 9-10=-825/115  
BOT CHORD 2-21=-27/288, 19-21=-27/288, 18-19=-27/288, 17-18=-27/288, 16-17=-27/288  
WEBS 5-26=-109/557, 25-26=-109/557, 24-25=-109/557, 23-24=-109/557, 11-23=-104/537, 4-21=-704/223, 12-19=-762/0

- NOTES-**
- 1) Unbalanced roof live loads have been considered for this design.
  - 2) Wind: ASCE 7-10; Vult=120mph Vasd=95mph; TCDL=6.0psf; BCDL=6.0psf; h=15ft; Cat. II; Exp C; Enclosed; MWFRS (envelope) gable end zone and C-C Exterior(2) zone; end vertical left exposed;C-C for members and forces & MWFRS for reactions shown; Lumber DOL=1.60 plate grip DOL=1.60
  - 3) Truss designed for wind loads in the plane of the truss only. For studs exposed to wind (normal to the face), see Standard Industry Gable End Details as applicable, or consult qualified building designer as per ANSI/TPI 1.
  - 4) Provide adequate drainage to prevent water ponding.
  - 5) All plates are 2x6 MT20 unless otherwise indicated.
  - 6) Gable requires continuous bottom chord bearing.
  - 7) Gable studs spaced at 2-0-0 oc.
  - 8) This truss has been designed for a 10.0 psf bottom chord live load nonconcurrent with any other live loads.
  - 9) \* This truss has been designed for a live load of 30.0psf on the bottom chord in all areas where a rectangle 3-6-0 tall by 2-0-0 wide will fit between the bottom chord and any other members, with BCDL = 10.0psf.
  - 10) Ceiling dead load (10.0 psf) on member(s). 4-5, 11-12, 5-26, 25-26, 24-25, 23-24, 11-23; Wall dead load (5.0psf) on member(s).4-21, 12-19
  - 11) Provide mechanical connection (by others) of truss to bearing plate capable of withstanding 100 lb uplift at joint(s) 2, 16 except 21=559, 18=1355.



June 23,2023

**WARNING - Verify design parameters and READ NOTES ON THIS AND INCLUDED MITEK REFERENCE PAGE MII-7473 rev. 1/2/2023 BEFORE USE.**  
Design valid for use only with MiTek® connectors. This design is based only upon parameters shown, and is for an individual building component, not a truss system. Before use, the building designer must verify the applicability of design parameters and properly incorporate this design into the overall building design. Bracing indicated is to prevent buckling of individual truss web and/or chord members only. Additional temporary and permanent bracing is always required for stability and to prevent collapse with possible personal injury and property damage. For general guidance regarding the fabrication, storage, delivery, erection and bracing of trusses and truss systems, see **ANSI/TPI1 Quality Criteria and DSB-22** available from Truss Plate Institute (www.tpinst.org) and **BCSI Building Component Safety Information** available from the Structural Building Component Association (www.sbcacomponents.com)

**TRENCO** ENGINEERING BY  
A MiTek Affiliate  
818 Soundside Road  
Edenton, NC 27932

Job J1023-6082	Truss A01AG	Truss Type GABLE	Qty 1	Ply 1	Lot A Hobby Rd I59138446 Job Reference (optional)
-------------------	----------------	---------------------	----------	----------	---

Comtech, Inc. Fayetteville, NC - 28314,

8.430 s Jan 6 2022 MiTek Industries, Inc. Thu Jun 22 18:11:28 2023 Page 2  
ID:wAaOiCu?enbzdIvzeiq6d3zFzeT-RfC?PsB70Hq3NSgPqnL8w3uITXbGKWrCDoi7J4zJC?f

**NOTES-**

- 12) Beveled plate or shim required to provide full bearing surface with truss chord at joint(s) 2.
- 13) Graphical purlin representation does not depict the size or the orientation of the purlin along the top and/or bottom chord.
- 14) This truss has large uplift reaction(s) from gravity load case(s). Proper connection is required to secure truss against upward movement at the bearings. Building designer must provide for uplift reactions indicated.
- 15) Attic room checked for L/360 deflection.

**WARNING - Verify design parameters and READ NOTES ON THIS AND INCLUDED MITEK REFERENCE PAGE MII-7473 rev. 1/2/2023 BEFORE USE.**

Design valid for use only with MiTek® connectors. This design is based only upon parameters shown, and is for an individual building component, not a truss system. Before use, the building designer must verify the applicability of design parameters and properly incorporate this design into the overall building design. Bracing indicated is to prevent buckling of individual truss web and/or chord members only. Additional temporary and permanent bracing is always required for stability and to prevent collapse with possible personal injury and property damage. For general guidance regarding the fabrication, storage, delivery, erection and bracing of trusses and truss systems, see **ANSI/TP1 Quality Criteria and DSB-22** available from Truss Plate Institute ([www.tpinst.org](http://www.tpinst.org)) and **BCSI Building Component Safety Information** available from the Structural Building Component Association ([www.sbcacomponents.com](http://www.sbcacomponents.com))



818 Soundside Road  
Edenton, NC 27932

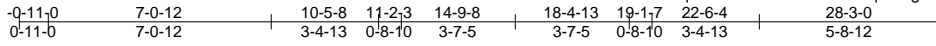
Job J1023-6082	Truss A02	Truss Type ATTIC	Qty 1	Ply 2	Lot A Hobby Rd	I59138447
-------------------	--------------	---------------------	----------	----------	----------------	-----------

Comtech, Inc. Fayetteville, NC - 28314,

8.430 s Jan 6 2022 MiTek Industries, Inc. Thu Jun 22 18:11:30 2023 Page 1

ID:wAaOiCu?enbzdVlzeiq6d3zFzeT-RfC?PsB70Hq3NSgPqnL8w3uITXbGKWrCDoi7J4zJC?f

Job Reference (optional)



Scale = 1:73.0

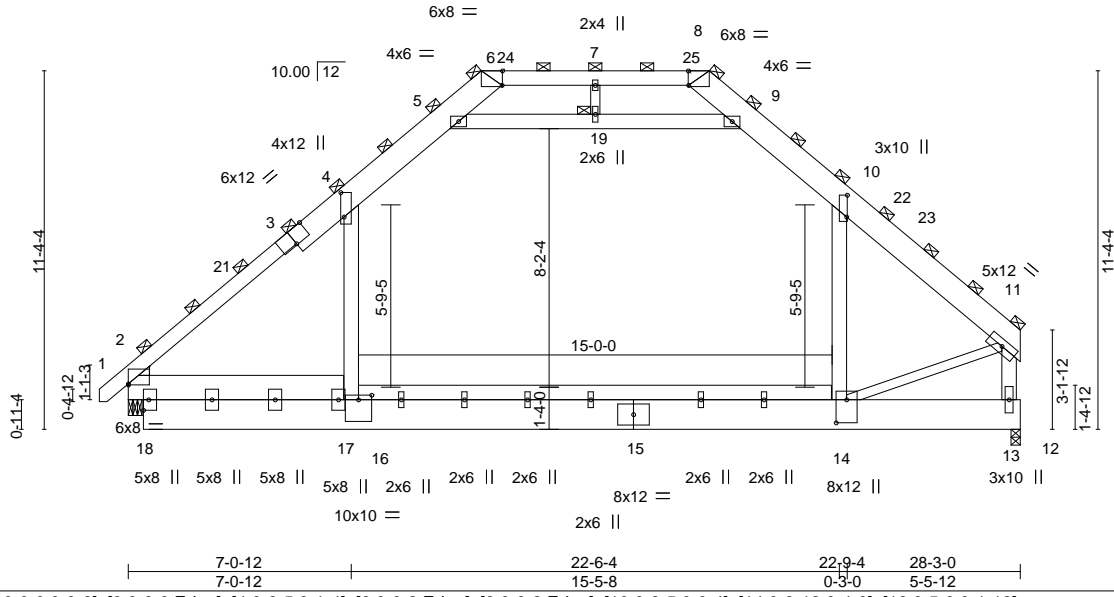


Plate Offsets (X,Y)--	[2:0-0-0,0-0-6], [3:0-6-0,Edge], [4:0-9-5,0-1-4], [6:0-0-2,Edge], [8:0-0-2,Edge], [10:0-8-5,0-0-4], [14:0-8-12,0-4-0], [16:0-5-0,0-1-12]
-----------------------	--

LOADING (psf)	SPACING-	CSI.	DEFL.	PLATES	GRIP
TCLL 20.0	5-2-0	TC 0.67	in (loc) l/defl L/d	MT20	244/190
TCDL 10.0	Plate Grip DOL 1.15	BC 0.90	Vert(LL) -0.29 14-16 >999 360		
BCLL 0.0 *	Lumber DOL 1.15	WB 0.64	Vert(CT) -0.46 14-16 >720 240		
BCDL 10.0	Rep Stress Incr NO	Matrix-S	Horz(CT) -0.02 13 n/a n/a		
	Code IRC2015/TPI2014		Wind(LL) 0.07 14-16 >999 240	Weight: 760 lb	FT = 20%

LUMBER-	BRACING-
TOP CHORD 2x10 SP 2400F 2.0E *Except*	TOP CHORD 2-0-0 oc purlins (6-0-0 max.), except end verticals
6-8: 2x6 SP No.1, 1-3: 2x6 SP 2400F 2.0E	(Switched from sheeted: Spacing > 2-8-0).
BOT CHORD 2x12 SP No.1 *Except*	BOT CHORD Rigid ceiling directly applied or 10-0-0 oc bracing.
12-15: 2x12 SP 2400F 2.0E, 16-20: 2x6 SP No.1, 2-17: 2x10 SP No.1	JOINTS 1 Brace at Jt(s): 6, 8, 11, 19
WEBS 2x6 SP No.1 *Except*	
11-14,7-19: 2x4 SP No.2	
WEDGE	
Left: 2x4 SP No.3	

**REACTIONS.** (size) 13=0-3-8, 2=0-5-4  
 Max Horz 2=522(LC 9)  
 Max Grav 13=6088(LC 2), 2=7190(LC 2)

**FORCES.** (lb) - Max. Comp./Max. Ten. - All forces 250 (lb) or less except when shown.  
 TOP CHORD 2-4=-6877/0, 4-5=-4324/154, 5-6=-502/1810, 8-9=-574/1709, 9-10=-4427/149,  
 10-11=-6487/0, 11-13=-6667/0, 6-7=-20/2640, 7-8=-20/2640  
 BOT CHORD 2-16=0/4684, 14-16=0/4528  
 WEBS 5-19=-6968/0, 9-19=-6968/0, 4-16=0/3748, 10-14=0/3255, 11-14=0/4736, 7-19=0/485

- NOTES-**
- 2-ply truss to be connected together with 10d (0.131"x3") nails as follows:  
 Top chords connected as follows: 2x6 - 2 rows staggered at 0-9-0 oc, 2x10 - 2 rows staggered at 0-9-0 oc.  
 Bottom chords connected as follows: 2x10 - 2 rows staggered at 0-9-0 oc, 2x12 - 2 rows staggered at 0-9-0 oc.  
 Webs connected as follows: 2x6 - 2 rows staggered at 0-9-0 oc, 2x4 - 1 row at 0-9-0 oc.
  - All loads are considered equally applied to all plies, except if noted as front (F) or back (B) face in the LOAD CASE(S) section. Ply to ply connections have been provided to distribute only loads noted as (F) or (B), unless otherwise indicated.
  - Unbalanced roof live loads have been considered for this design.
  - Wind: ASCE 7-10; Vult=120mph Vasd=95mph; TCDL=6.0psf; BCDL=6.0psf; h=15ft; Cat. II; Exp C; Enclosed; MWFRS (envelope) and C-C Exterior(2) 0-9-9 to 3-7-4, Interior(1) 3-7-4 to 11-6-2, Exterior(2) 11-6-2 to 17-8-12, Interior(1) 17-8-12 to 18-0-14, Exterior(2) 18-0-14 to 24-3-9, Interior(1) 24-3-9 to 27-10-15 zone; end vertical left exposed; C-C for members and forces & MWFRS for reactions shown; Lumber DOL=1.60 plate grip DOL=1.60
  - Provide adequate drainage to prevent water ponding.
  - This truss has been designed for a 10.0 psf bottom chord live load nonconcurrent with any other live loads.
  - \* This truss has been designed for a live load of 30.0psf on the bottom chord in all areas where a rectangle 3-6-0 tall by 2-0-0 wide will fit between the bottom chord and any other members.
  - Ceiling dead load (10.0 psf) on member(s). 4-5, 9-10, 5-19, 9-19; Wall dead load (5.0psf) on member(s). 4-16, 10-14
  - Bottom chord live load (40.0 psf) and additional bottom chord dead load (10.0 psf) applied only to room. 14-16
  - Graphical purlin representation does not depict the size or the orientation of the purlin along the top and/or bottom chord.
  - Attic room checked for L/360 deflection.



June 23, 2023

**LOAD CASE(S)** Standard

**WARNING - Verify design parameters and READ NOTES ON THIS AND INCLUDED MITEK REFERENCE PAGE MII-7473 rev. 1/2/2023 BEFORE USE.**  
 Design valid for use only with MiTek® connectors. This design is based only upon parameters shown, and is for an individual building component, not a truss system. Before use, the building designer must verify the applicability of design parameters and properly incorporate this design into the overall building design. Bracing indicated is to prevent buckling of individual truss web and/or chord members only. Additional temporary and permanent bracing is always required for stability and to prevent collapse with possible personal injury and property damage. For general guidance regarding the fabrication, storage, delivery, erection and bracing of trusses and truss systems, see **ANSI/TP1 Quality Criteria and DSB-22** available from Truss Plate Institute (www.tpinst.org) and **BCSI Building Component Safety Information** available from the Structural Building Component Association (www.sbcacomponents.com)

**TRENCO** ENGINEERING BY  
 A MiTek Affiliate  
 818 Soundside Road  
 Edenton, NC 27932

Job J1023-6082	Truss A02	Truss Type ATTIC	Qty 1	Ply <b>2</b>	Lot A Hobby Rd I59138447 Job Reference (optional)
-------------------	--------------	---------------------	----------	-----------------	---

Comtech, Inc. Fayetteville, NC - 28314,

8.430 s Jan 6 2022 MiTek Industries, Inc. Thu Jun 22 18:11:30 2023 Page 2  
ID:wAaOiCu?enbzDlvzeiq6d3zFzeT-RfC?PsB70Hq3NSgPqnL8w3uITXbGKWrCDoi7J4zJC?f

**LOAD CASE(S)** Standard

1) Dead + Roof Live (balanced): Lumber Increase=1.15, Plate Increase=1.15

Uniform Loads (plf)

Vert: 2-16=-155(F=-104), 14-16=-103, 13-14=-117(F=-65), 12-13=-52, 1-4=-155, 4-5=-207, 5-6=-155, 8-9=-155, 9-10=-207, 10-11=-155, 5-9=-52, 6-8=-155

Drag: 4-16=-26, 10-14=-26

**WARNING - Verify design parameters and READ NOTES ON THIS AND INCLUDED MITEK REFERENCE PAGE MII-7473 rev. 1/2/2023 BEFORE USE.**

Design valid for use only with MiTek® connectors. This design is based only upon parameters shown, and is for an individual building component, not a truss system. Before use, the building designer must verify the applicability of design parameters and properly incorporate this design into the overall building design. Bracing indicated is to prevent buckling of individual truss web and/or chord members only. Additional temporary and permanent bracing is always required for stability and to prevent collapse with possible personal injury and property damage. For general guidance regarding the fabrication, storage, delivery, erection and bracing of trusses and truss systems, see **ANSI/TP1 Quality Criteria and DSB-22** available from Truss Plate Institute ([www.tpinst.org](http://www.tpinst.org)) and **BCSI Building Component Safety Information** available from the Structural Building Component Association ([www.sbcacomponents.com](http://www.sbcacomponents.com))



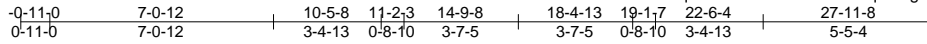
818 Soundside Road  
Edenton, NC 27932

Job J1023-6082	Truss A02A	Truss Type ATTIC	Qty 1	Ply 2	Lot A Hobby Rd Job Reference (optional)	159138448
-------------------	---------------	---------------------	----------	----------	--	-----------

Comtech, Inc. Fayetteville, NC - 28314,

8.430 s Jan 6 2022 MiTek Industries, Inc. Thu Jun 22 18:11:31 2023 Page 1

ID:wAaOiCu?enbzdIvzeiq6d3zFzeT-RfC?PsB70Hq3NSgPqnL8w3uITXbGKWRCDoi7J4zJC?f



Scale = 1:72.7

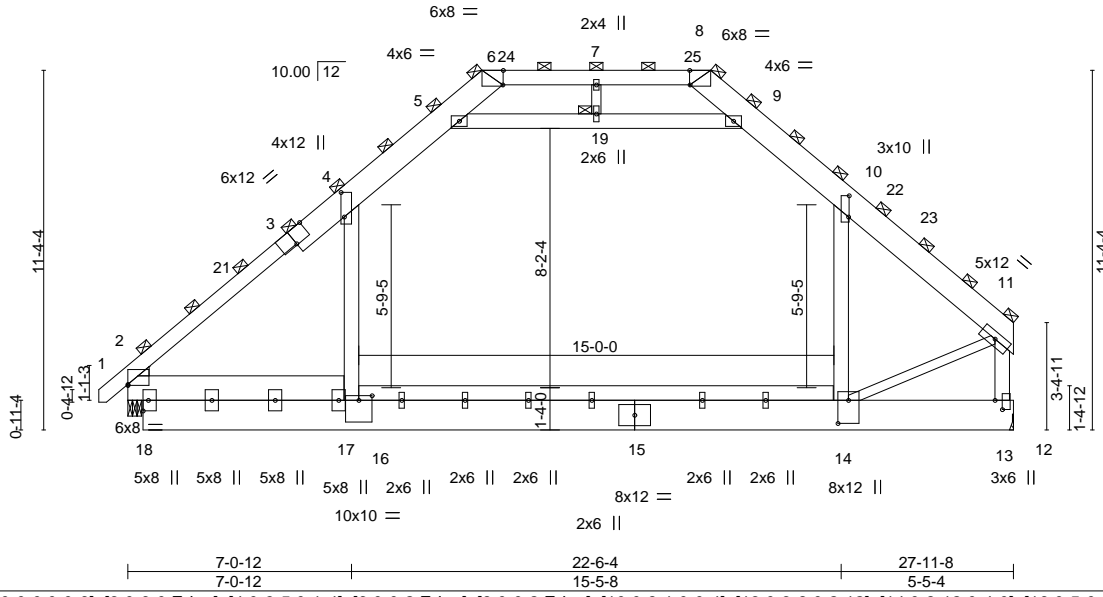


Plate Offsets (X,Y)--	[2:0-0-0,0-0-6], [3:0-6-0,Edge], [4:0-9-5,0-1-4], [6:0-0-2,Edge], [8:0-0-2,Edge], [10:0-8-1,0-0-4], [13:0-3-8,0-2-12], [14:0-8-12,0-4-0], [16:0-5-0,0-1-12]
-----------------------	---

LOADING (psf)	SPACING-	5-2-0	CSI.	DEFL.	in (loc)	l/defl	L/d	PLATES	GRIP
TCLL 20.0	Plate Grip DOL	1.15	TC 0.67	Vert(LL)	-0.28 14-16	>999	360	MT20	244/190
TCDL 10.0	Lumber DOL	1.15	BC 0.90	Vert(CT)	-0.46 14-16	>711	240		
BCLL 0.0 *	Rep Stress Incr	NO	WB 0.65	Horz(CT)	-0.02 13	n/a	n/a		
BCDL 10.0	Code IRC2015/TPI2014		Matrix-S	Wind(LL)	0.07 14-16	>999	240	Weight: 755 lb	FT = 20%

LUMBER-	BRACING-
TOP CHORD 2x10 SP 2400F 2.0E *Except* 6-8: 2x6 SP No.1, 1-3: 2x6 SP 2400F 2.0E	TOP CHORD 2-0-0 oc purlins (6-0-0 max.), except end verticals (Switched from sheeted: Spacing > 2-8-0).
BOT CHORD 2x12 SP No.1 *Except* 12-15: 2x12 SP 2400F 2.0E, 16-20: 2x6 SP No.1, 2-17: 2x10 SP No.1	BOT CHORD Rigid ceiling directly applied or 10-0-0 oc bracing.
WEBS 2x6 SP No.1 *Except* 11-14,7-19: 2x4 SP No.2	JOINTS 1 Brace at Jt(s): 6, 8, 11, 19

WEDGE Left: 2x4 SP No.3

REACTIONS. (size) 13=Mechanical, 2=0-5-4  
Max Horz 2=522(LC 9)  
Max Grav 13=6043(LC 2), 2=7126(LC 2)

FORCES. (lb) - Max. Comp./Max. Ten. - All forces 250 (lb) or less except when shown.

TOP CHORD 2-4=-6727/0, 4-5=-4233/158, 5-6=-548/1746, 8-9=-630/1632, 9-10=-4349/153,  
10-11=-6317/0, 11-13=-6830/0, 6-7=-88/2546, 7-8=-88/2546

BOT CHORD 2-16=0/4581, 14-16=0/4419

WEBS 5-19=-6771/0, 9-19=-6771/0, 4-16=0/3661, 10-14=0/3154, 11-14=0/4830, 7-19=0/478

- NOTES-
- 2-ply truss to be connected together with 10d (0.131"x3") nails as follows:  
Top chords connected as follows: 2x6 - 2 rows staggered at 0-9-0 oc, 2x10 - 2 rows staggered at 0-9-0 oc.  
Bottom chords connected as follows: 2x10 - 2 rows staggered at 0-9-0 oc, 2x12 - 2 rows staggered at 0-9-0 oc.  
Webs connected as follows: 2x6 - 2 rows staggered at 0-9-0 oc, 2x4 - 1 row at 0-9-0 oc.
  - All loads are considered equally applied to all plies, except if noted as front (F) or back (B) face in the LOAD CASE(S) section. Ply to ply connections have been provided to distribute only loads noted as (F) or (B), unless otherwise indicated.
  - Unbalanced roof live loads have been considered for this design.
  - Wind: ASCE 7-10; Vult=120mph Vasd=95mph; TCDL=6.0psf; BCDL=6.0psf; h=15ft; Cat. II; Exp C; Enclosed; MWFRS (envelope) and C-C Exterior(2) 0-9-9 to 3-7-4, Interior(1) 3-7-4 to 11-6-2, Exterior(2) 11-6-2 to 17-8-12, Interior(1) 17-8-12 to 18-0-14, Exterior(2) 18-0-14 to 24-3-9, Interior(1) 24-3-9 to 27-7-7 zone; end vertical left exposed; C-C for members and forces & MWFRS for reactions shown; Lumber DOL=1.60 plate grip DOL=1.60
  - Provide adequate drainage to prevent water ponding.
  - This truss has been designed for a 10.0 psf bottom chord live load nonconcurrent with any other live loads.
  - \* This truss has been designed for a live load of 30.0psf on the bottom chord in all areas where a rectangle 3-6-0 tall by 2-0-0 wide will fit between the bottom chord and any other members.
  - Ceiling dead load (10.0 psf) on member(s). 4-5, 9-10, 5-19, 9-19; Wall dead load (5.0psf) on member(s). 4-16, 10-14
  - Bottom chord live load (40.0 psf) and additional bottom chord dead load (10.0 psf) applied only to room. 14-16
  - Refer to girder(s) for truss to truss connections.
  - Graphical purlin representation does not depict the size or the orientation of the purlin along the top and/or bottom chord.
  - Attic room checked for L/360 deflection.



June 23, 2023

Continued on page 2

**LOAD CASE(S)** Standard

**WARNING - Verify design parameters and READ NOTES ON THIS AND INCLUDED MITEK REFERENCE PAGE MII-7473 rev. 1/2/2023 BEFORE USE.**

Design valid for use only with MiTek® connectors. This design is based only upon parameters shown, and is for an individual building component, not a truss system. Before use, the building designer must verify the applicability of design parameters and properly incorporate this design into the overall building design. Bracing indicated is to prevent buckling of individual truss web and/or chord members only. Additional temporary and permanent bracing is always required for stability and to prevent collapse with possible personal injury and property damage. For general guidance regarding the fabrication, storage, delivery, erection and bracing of trusses and truss systems, see **ANSI/TPH Quality Criteria and DSB-22** available from Truss Plate Institute (www.tpinst.org) and **BCSI Building Component Safety Information** available from the Structural Building Component Association (www.sbcacomponents.com)

ENGINEERING BY  
**TRENCO**  
A MiTek Affiliate

818 Soundside Road  
Edenton, NC 27932



Job J1023-6082	Truss A02A	Truss Type ATTIC	Qty 1	Ply <b>2</b>	Lot A Hobby Rd I59138448 Job Reference (optional)
-------------------	---------------	---------------------	----------	-----------------	---

Comtech, Inc. Fayetteville, NC - 28314,

8.430 s Jan 6 2022 MiTek Industries, Inc. Thu Jun 22 18:11:32 2023 Page 2  
ID:wAaOiCu?enbzDlvzeiq6d3zFzeT-RfC?PsB70Hq3NSgPqnL8w3uITXbGKWrCDoi7J4zJC?f

**LOAD CASE(S)** Standard

1) Dead + Roof Live (balanced): Lumber Increase=1.15, Plate Increase=1.15

Uniform Loads (plf)

Vert: 2-16=-155(F=-104), 14-16=-103, 13-14=-117(F=-65), 12-13=-52, 1-4=-155, 4-5=-207, 5-6=-155, 8-9=-155, 9-10=-207, 10-11=-155, 5-9=-52, 6-8=-155

Drag: 4-16=-26, 10-14=-26

**WARNING - Verify design parameters and READ NOTES ON THIS AND INCLUDED MITEK REFERENCE PAGE MII-7473 rev. 1/2/2023 BEFORE USE.**

Design valid for use only with MiTek® connectors. This design is based only upon parameters shown, and is for an individual building component, not a truss system. Before use, the building designer must verify the applicability of design parameters and properly incorporate this design into the overall building design. Bracing indicated is to prevent buckling of individual truss web and/or chord members only. Additional temporary and permanent bracing is always required for stability and to prevent collapse with possible personal injury and property damage. For general guidance regarding the fabrication, storage, delivery, erection and bracing of trusses and truss systems, see **ANSI/TP1 Quality Criteria and DSB-22** available from Truss Plate Institute ([www.tpinst.org](http://www.tpinst.org)) and **BCSI Building Component Safety Information** available from the Structural Building Component Association ([www.sbcacomponents.com](http://www.sbcacomponents.com))



818 Soundside Road  
Edenton, NC 27932

Job J1023-6082	Truss B01	Truss Type COMMON	Qty 2	Ply 1	Lot A Hobby Rd Job Reference (optional)	I59138449
-------------------	--------------	----------------------	----------	----------	--	-----------

Comtech, Inc. Fayetteville, NC - 28314,

8.430 s Jan 6 2022 MiTek Industries, Inc. Thu Jun 22 18:11:33 2023 Page 1



5x5 =

Scale = 1:70.5

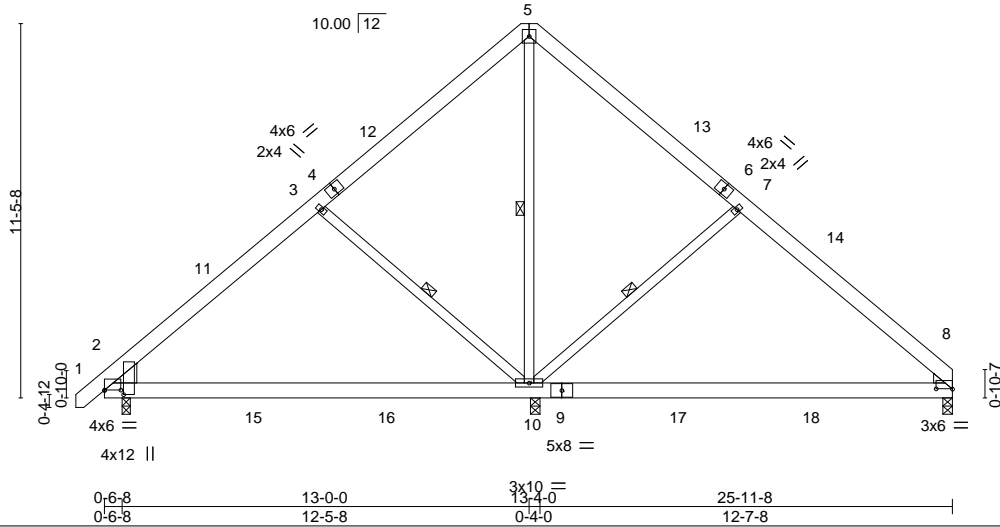


Plate Offsets (X,Y)-- [2:0-1-9,0-7-0], [2:0-6-0,0-0-1], [8:0-6-0,0-0-2]

LOADING (psf)	SPACING-	CSI.	DEFL.	PLATES	GRIP
TCLL 20.0	2-0-0	TC 0.37	in (loc) l/defl L/d	MT20	244/190
TCDL 10.0	Plate Grip DOL 1.15	BC 0.61	Vert(LL) -0.20 8-10 >750 360		
BCLL 0.0 *	Lumber DOL 1.15	WB 0.20	Vert(CT) -0.34 8-10 >455 240		
BCDL 10.0	Rep Stress Incr YES	Matrix-S	Horz(CT) 0.01 8 n/a n/a		
	Code IRC2015/TPI2014		Wind(LL) 0.31 2-10 >495 240	Weight: 186 lb	FT = 20%

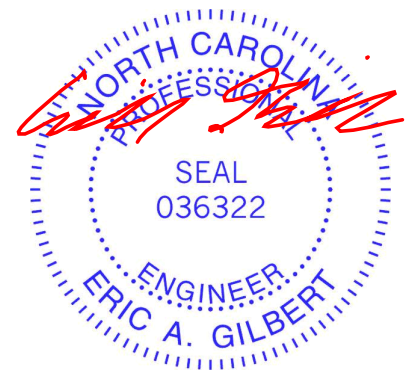
**LUMBER-**  
 TOP CHORD 2x6 SP No.1  
 BOT CHORD 2x6 SP No.1  
 WEBS 2x4 SP No.2  
 WEDGE  
 Left: 2x8 SP No.1 , Right: 2x4 SP No.2

**BRACING-**  
 TOP CHORD Structural wood sheathing directly applied or 6-0-0 oc purlins.  
 BOT CHORD Rigid ceiling directly applied or 10-0-0 oc bracing.  
 WEBS 1 Row at midpt 3-10, 5-10, 7-10

**REACTIONS.** (size) 10=0-3-8, 8=0-3-8, 2=0-3-0  
 Max Horz 2=232(LC 9)  
 Max Uplift 10=-32(LC 12), 2=-21(LC 8)  
 Max Grav 10=1244(LC 2), 8=503(LC 20), 2=524(LC 23)

**FORCES.** (lb) - Max. Comp./Max. Ten. - All forces 250 (lb) or less except when shown.  
 TOP CHORD 2-3=-411/94, 7-8=-409/78  
 BOT CHORD 2-10=-138/337, 8-10=0/255  
 WEBS 3-10=-430/299, 5-10=-361/35, 7-10=-435/237

- NOTES-**
- 1) Unbalanced roof live loads have been considered for this design.
  - 2) Wind: ASCE 7-10; Vult=120mph Vasd=95mph; TCDL=6.0psf; BCDL=6.0psf; h=15ft; Cat. II; Exp C; Enclosed; MWFRS (envelope) and C-C Exterior(2) -0-9-1 to 3-7-12, Interior(1) 3-7-12 to 13-0-0, Exterior(2) 13-0-0 to 17-4-13, Interior(1) 17-4-13 to 25-9-12 zone; porch left exposed; C-C for members and forces & MWFRS for reactions shown; Lumber DOL=1.60 plate grip DOL=1.60
  - 3) This truss has been designed for a 10.0 psf bottom chord live load nonconcurrent with any other live loads.
  - 4) \* This truss has been designed for a live load of 30.0psf on the bottom chord in all areas where a rectangle 3-6-0 tall by 2-0-0 wide will fit between the bottom chord and any other members, with BCDL = 10.0psf.
  - 5) Provide mechanical connection (by others) of truss to bearing plate capable of withstanding 100 lb uplift at joint(s) 10, 2.



Job J1023-6082	Truss B01GR	Truss Type COMMON	Qty 1	Ply 2	Lot A Hobby Rd Job Reference (optional)	159138450
-------------------	----------------	----------------------	----------	----------	--	-----------

Comtech, Inc. Fayetteville, NC - 28314,

8.430 s Jan 6 2022 MiTek Industries, Inc. Thu Jun 22 18:11:35 2023 Page 1

ID:wAaOiCu?enbzDlvzeiq6d3zFzeT-RfC?PsB70Hq3NSgPqnL8w3uITXbGKWrCDoi7J4zJC?f



5x5 =

Scale = 1:69.9

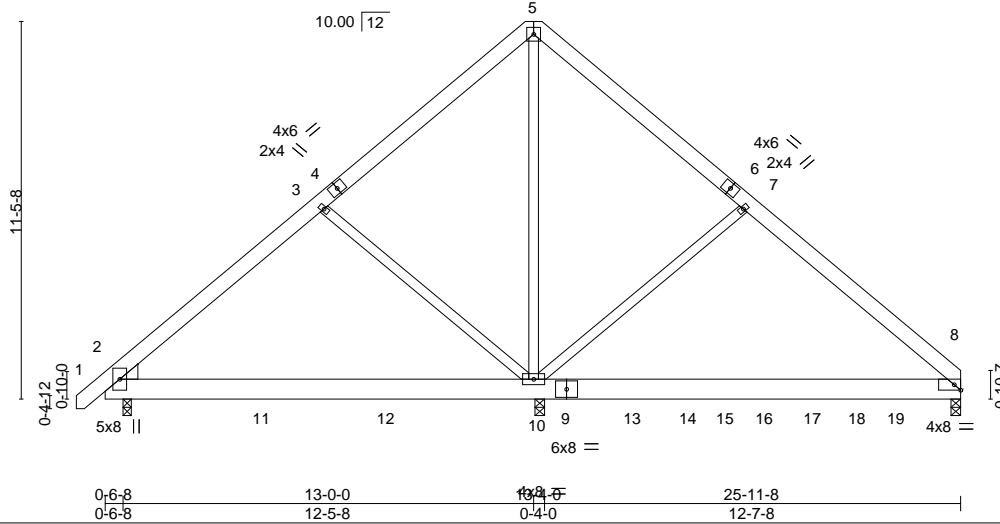


Plate Offsets (X,Y)--	[8:0-2-6,Edge]
-----------------------	----------------

LOADING (psf)	SPACING-	CSI.	DEFL.	PLATES	GRIP
TCLL 20.0	2-0-0	TC 0.23	in (loc) l/defl L/d	MT20	244/190
TCDL 10.0	Plate Grip DOL 1.15	BC 0.62	Vert(LL) -0.15 8-10 >999 360		
BCLL 0.0 *	Lumber DOL 1.15	WB 0.15	Vert(CT) -0.32 8-10 >485 240		
BCDL 10.0	Rep Stress Incr NO	Matrix-S	Horz(CT) 0.00 8 n/a n/a		
	Code IRC2015/TPI2014		Wind(LL) -0.12 8-10 >999 240	Weight: 407 lb	FT = 20%

LUMBER-	BRACING-
TOP CHORD 2x6 SP No.1	TOP CHORD Structural wood sheathing directly applied or 6-0-0 oc purlins.
BOT CHORD 2x8 SP No.1	BOT CHORD Rigid ceiling directly applied or 10-0-0 oc bracing.
WEBS 2x4 SP No.2	
WEDGE	
Left: 2x6 SP No.1	

**REACTIONS.** (size) 10=0-3-8, 8=0-3-8, 2=0-3-0  
 Max Horz 2=232(LC 5)  
 Max Uplift 2=-102(LC 24)  
 Max Grav 10=2110(LC 33), 8=1067(LC 34), 2=439(LC 18)

**FORCES.** (lb) - Max. Comp./Max. Ten. - All forces 250 (lb) or less except when shown.  
 TOP CHORD 2-3=-429/70, 7-8=-432/41  
 BOT CHORD 2-10=-162/337, 8-10=0/312  
 WEBS 3-10=-374/222, 5-10=-346/18, 7-10=-474/178

- NOTES-**
- 2-ply truss to be connected together with 10d (0.131"x3") nails as follows:  
 Top chords connected as follows: 2x6 - 2 rows staggered at 0-9-0 oc.  
 Bottom chords connected as follows: 2x8 - 2 rows staggered at 0-9-0 oc.  
 Webs connected as follows: 2x4 - 1 row at 0-9-0 oc.
  - All loads are considered equally applied to all plies, except if noted as front (F) or back (B) face in the LOAD CASE(S) section. Ply to ply connections have been provided to distribute only loads noted as (F) or (B), unless otherwise indicated.
  - Unbalanced roof live loads have been considered for this design.
  - Wind: ASCE 7-10; Vult=120mph Vasd=95mph; TCDL=6.0psf; BCDL=6.0psf; h=15ft; Cat. II; Exp C; Enclosed; MWFRS (envelope); porch left exposed; Lumber DOL=1.60 plate grip DOL=1.60
  - This truss has been designed for a 10.0 psf bottom chord live load nonconcurrent with any other live loads.
  - \* This truss has been designed for a live load of 30.0psf on the bottom chord in all areas where a rectangle 3-6-0 tall by 2-0-0 wide will fit between the bottom chord and any other members, with BCDL = 10.0psf.
  - Provide mechanical connection (by others) of truss to bearing plate capable of withstanding 100 lb uplift at joint(s) except (jt=lb) 2=102.
  - Hanger(s) or other connection device(s) shall be provided sufficient to support concentrated load(s) 239 lb down at 13-10-12, 238 lb down at 15-10-12, 238 lb down at 17-10-12, 238 lb down at 19-10-12, and 238 lb down at 21-10-12, and 238 lb down at 23-10-12 on bottom chord. The design/selection of such connection device(s) is the responsibility of others.

**LOAD CASE(S)** Standard  
 1) Dead + Roof Live (balanced): Lumber Increase=1.15, Plate Increase=1.15  
 Uniform Loads (plf)  
 Vert: 1-5=-60, 5-8=-60, 2-8=-20



Continued on page 2

<p><b>WARNING - Verify design parameters and READ NOTES ON THIS AND INCLUDED MITEK REFERENCE PAGE MII-7473 rev. 1/2/2023 BEFORE USE.</b></p> <p>Design valid for use only with MiTek® connectors. This design is based only upon parameters shown, and is for an individual building component, not a truss system. Before use, the building designer must verify the applicability of design parameters and properly incorporate this design into the overall building design. Bracing indicated is to prevent buckling of individual truss web and/or chord members only. Additional temporary and permanent bracing is always required for stability and to prevent collapse with possible personal injury and property damage. For general guidance regarding the fabrication, storage, delivery, erection and bracing of trusses and truss systems, see <b>ANSI/TPH Quality Criteria and DSB-22</b> available from Truss Plate Institute (www.tpinst.org) and <b>BCSI Building Component Safety Information</b> available from the Structural Building Component Association (www.sbcacomponents.com)</p>	<p>ENGINEERING BY  <b>TRENCO</b>          A MiTek Affiliate</p> <p>818 Soundside Road          Edenton, NC 27932</p>
--	--

Job J1023-6082	Truss B01GR	Truss Type COMMON	Qty 1	Ply <b>2</b>	Lot A Hobby Rd I59138450 Job Reference (optional)
-------------------	----------------	----------------------	----------	-----------------	---

Comtech, Inc. Fayetteville, NC - 28314,

8.430 s Jan 6 2022 MiTek Industries, Inc. Thu Jun 22 18:11:35 2023 Page 2  
ID:wAaOiCu?enbzdIvzeiq6d3zFzeT-RfC?PsB70Hq3NSgPqnL8w3uITXbGKWrCDoi7J4zJC?f

**LOAD CASE(S)** Standard

Concentrated Loads (lb)

Vert: 9=-234(F) 13=-234(F) 15=-234(F) 16=-234(F) 18=-234(F) 19=-234(F)

**WARNING - Verify design parameters and READ NOTES ON THIS AND INCLUDED MITEK REFERENCE PAGE MII-7473 rev. 1/2/2023 BEFORE USE.**

Design valid for use only with MiTek® connectors. This design is based only upon parameters shown, and is for an individual building component, not a truss system. Before use, the building designer must verify the applicability of design parameters and properly incorporate this design into the overall building design. Bracing indicated is to prevent buckling of individual truss web and/or chord members only. Additional temporary and permanent bracing is always required for stability and to prevent collapse with possible personal injury and property damage. For general guidance regarding the fabrication, storage, delivery, erection and bracing of trusses and truss systems, see **ANSI/TP1 Quality Criteria and DSB-22** available from Truss Plate Institute ([www.tpinst.org](http://www.tpinst.org)) and **BCSI Building Component Safety Information** available from the Structural Building Component Association ([www.sbcacomponents.com](http://www.sbcacomponents.com))



818 Soundside Road  
Edenton, NC 27932

Job J1023-6082	Truss B01SG	Truss Type KINGPOST	Qty 1	Ply 1	Lot A Hobby Rd Job Reference (optional)	I59138451
-------------------	----------------	------------------------	----------	----------	--	-----------

Comtech, Inc. Fayetteville, NC - 28314,

8.430 s Jan 6 2022 MiTek Industries, Inc. Thu Jun 22 18:11:36 2023 Page 1

ID:wAaOiCu?enbzdVlzeiq6d3zFzeT-RfC?PsB70Hq3NSgPqnL8w3uITXbGKWrCDoi7J4zJC?f



Scale = 1:75.4

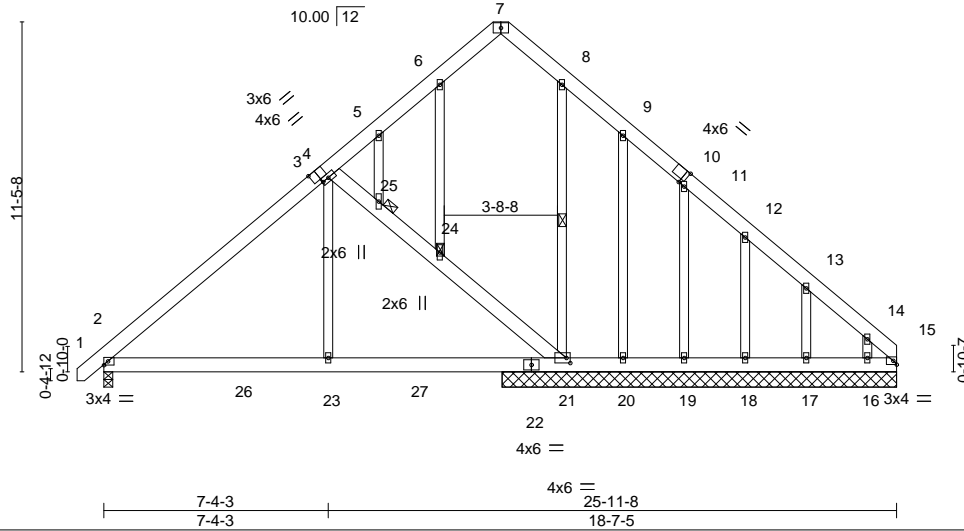


Plate Offsets (X,Y)--	[3:0-3-0,Edge], [10:0-1-8,Edge], [21:0-1-8,0-2-0]
-----------------------	---

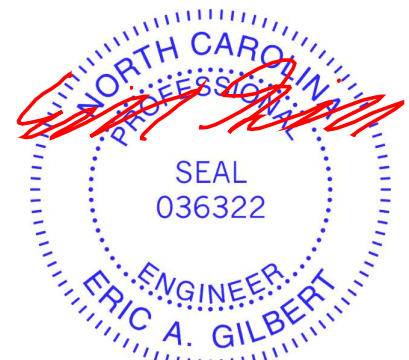
LOADING (psf)	SPACING-	2-0-0	CSI.	DEFL.	in (loc)	l/defl	L/d	PLATES	GRIP
TCLL 20.0	Plate Grip DOL	1.15	TC 0.20	Vert(LL)	-0.02	2-23	>999	MT20	244/190
TCDL 10.0	Lumber DOL	1.15	BC 0.22	Vert(CT)	-0.04	2-23	>999		
BCLL 0.0 *	Rep Stress Incr	YES	WB 0.18	Horz(CT)	0.01	15	n/a		
BCDL 10.0	Code IRC2015/TPI2014		Matrix-S	Wind(LL)	0.04	2-23	>999		
								Weight: 231 lb	FT = 20%

LUMBER-	BRACING-
TOP CHORD 2x6 SP No.1	TOP CHORD Structural wood sheathing directly applied or 6-0-0 oc purlins.
BOT CHORD 2x6 SP No.1	BOT CHORD Rigid ceiling directly applied or 10-0-0 oc bracing.
WEBS 2x4 SP No.2 *Except* 4-21: 2x6 SP No.1	WEBS 1 Row at midpt 8-21
	JOINTS 1 Brace at Jt(s): 24, 25

**REACTIONS.** All bearings 12-11-0 except (jt=length) 2=0-3-8.  
 (lb) - Max Horz 2=287(LC 9)  
 Max Uplift All uplift 100 lb or less at joint(s) 21, 19, 18, 17, 2 except 15=131(LC 11), 20=154(LC 13), 16=182(LC 13)  
 Max Grav All reactions 250 lb or less at joint(s) 20, 19, 18, 17, 16 except 15=379(LC 13), 21=716(LC 2), 2=735(LC 2)

**FORCES.** (lb) - Max. Comp./Max. Ten. - All forces 250 (lb) or less except when shown.  
 TOP CHORD 2-4=-815/305, 4-5=-268/60, 12-13=-265/127, 13-14=-359/201, 14-15=-495/295  
 BOT CHORD 2-23=-127/653, 21-23=-127/653, 20-21=-203/344, 19-20=-203/344, 18-19=-203/344, 17-18=-203/344, 16-17=-202/344, 15-16=-202/344  
 WEBS 4-25=-631/530, 24-25=-596/505, 21-24=-634/523, 4-23=-276/477

- NOTES-**
- Unbalanced roof live loads have been considered for this design.
  - Wind: ASCE 7-10; Vult=120mph Vasd=95mph; TCDL=6.0psf; BCDL=6.0psf; h=15ft; Cat. II; Exp C; Enclosed; MWFRS (envelope) gable end zone and C-C Exterior(2) zone; porch left exposed; C-C for members and forces & MWFRS for reactions shown; Lumber DOL=1.60 plate grip DOL=1.60
  - All plates are 2x4 MT20 unless otherwise indicated.
  - This truss has been designed for a 10.0 psf bottom chord live load nonconcurrent with any other live loads.
  - \* This truss has been designed for a live load of 30.0psf on the bottom chord in all areas where a rectangle 3-6-0 tall by 2-0-0 wide will fit between the bottom chord and any other members, with BCDL = 10.0psf.
  - Provide mechanical connection (by others) of truss to bearing plate capable of withstanding 100 lb uplift at joint(s) 21, 19, 18, 17, 2 except (jt=lb) 15=131, 20=154, 16=182.



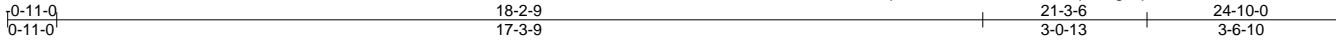
June 23, 2023



Job J1023-6082	Truss C01GE	Truss Type GABLE	Qty 1	Ply 1	Lot A Hobby Rd I59138453
-------------------	----------------	---------------------	----------	----------	-----------------------------

Comtech, Inc. Fayetteville, NC - 28314,

8.430 s Jan 6 2022 MiTek Industries, Inc. Thu Jun 22 18:11:39 2023 Page 1  
ID:wAaOiCu?enbzDlvzeiq6d3zFzeT-RfC?PsB70Hq3NSgPqnL8w3uITXbGKWrCDoi7J4zJC?f



Scale = 1:43.0

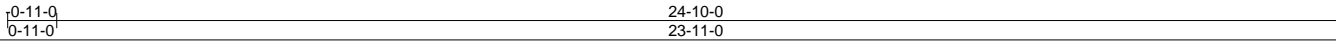
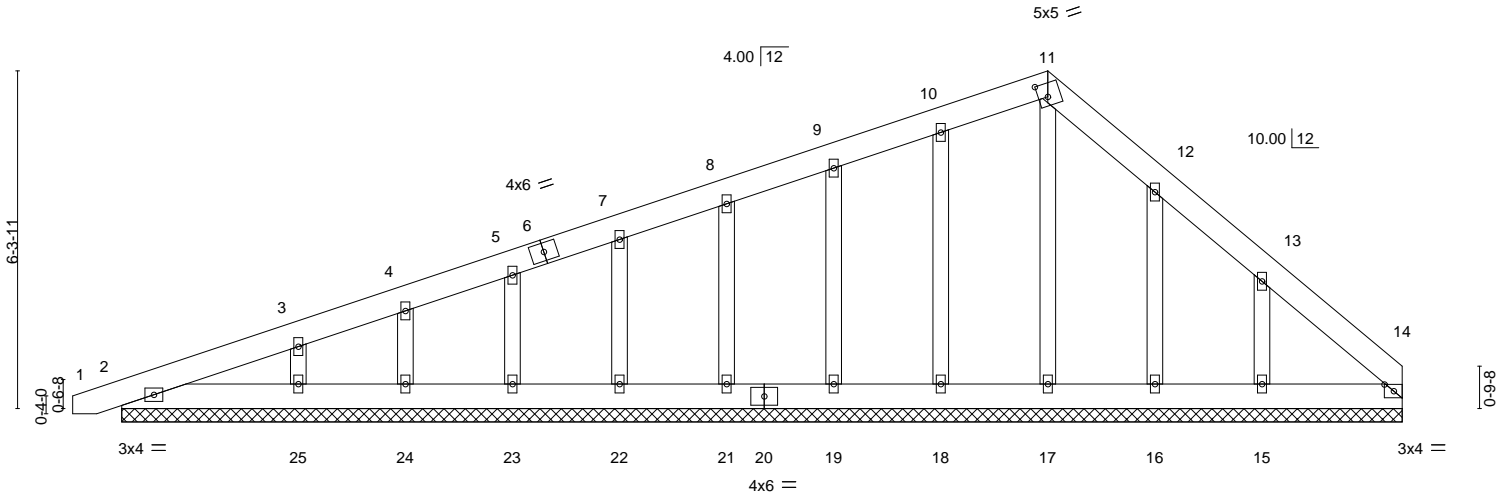


Plate Offsets (X, Y)-- [11:0-2-1,0-3-0], [14:0-2-2,0-1-8]

LOADING (psf)	SPACING-	2-0-0	CSI.	DEFL.	in (loc)	l/defl	L/d	PLATES	GRIP
TCLL 20.0	Plate Grip DOL	1.15	TC 0.03	Vert(LL)	-0.00	1	n/r	MT20	244/190
TCDL 10.0	Lumber DOL	1.15	BC 0.02	Vert(CT)	0.00	1	n/r		
BCLL 0.0 *	Rep Stress Incr	YES	WB 0.05	Horz(CT)	0.00	14	n/a		
BCDL 10.0	Code IRC2015/TPI2014		Matrix-S						
								Weight: 167 lb	FT = 20%

LUMBER-	BRACING-
TOP CHORD 2x6 SP No.1	TOP CHORD Structural wood sheathing directly applied or 6-0-0 oc purlins.
BOT CHORD 2x6 SP No.1 *Except* 2-20: 2x6 SP 2400F 2.0E	BOT CHORD Rigid ceiling directly applied or 10-0-0 oc bracing.
OTHERS 2x4 SP No.2	

**REACTIONS.** All bearings 23-11-0.  
 (lb) - Max Horz 2=178(LC 9)  
 Max Uplift All uplift 100 lb or less at joint(s) 2, 18, 19, 21, 22, 23, 24, 25, 16 except 15=136(LC 13)  
 Max Grav All reactions 250 lb or less at joint(s) 14, 2, 17, 18, 19, 21, 22, 23, 24, 16, 15 except 25=259(LC 23)

**FORCES.** (lb) - Max. Comp./Max. Ten. - All forces 250 (lb) or less except when shown.

- NOTES-**
- Unbalanced roof live loads have been considered for this design.
  - Wind: ASCE 7-10; Vult=120mph Vasd=95mph; TCDL=6.0psf; BCDL=6.0psf; h=15ft; Cat. II; Exp C; Enclosed; MWFRS (envelope) gable end zone and C-C Exterior(2) zone; C-C for members and forces & MWFRS for reactions shown; Lumber DOL=1.60 plate grip DOL=1.60
  - Truss designed for wind loads in the plane of the truss only. For studs exposed to wind (normal to the face), see Standard Industry Gable End Details as applicable, or consult qualified building designer as per ANSI/TPI 1.
  - All plates are 2x4 MT20 unless otherwise indicated.
  - Gable requires continuous bottom chord bearing.
  - Gable studs spaced at 2-0-0 oc.
  - This truss has been designed for a 10.0 psf bottom chord live load nonconcurrent with any other live loads.
  - \* This truss has been designed for a live load of 30.0psf on the bottom chord in all areas where a rectangle 3-6-0 tall by 2-0-0 wide will fit between the bottom chord and any other members.
  - Provide mechanical connection (by others) of truss to bearing plate capable of withstanding 100 lb uplift at joint(s) 2, 18, 19, 21, 22, 23, 24, 25, 16 except (jt=lb) 15=136.
  - See Standard Industry Piggyback Truss Connection Detail for Connection to base truss as applicable, or consult qualified building designer.



Job J1023-6082	Truss C02	Truss Type ROOF SPECIAL	Qty 6	Ply 1	Lot A Hobby Rd	I59138454
-------------------	--------------	----------------------------	----------	----------	----------------	-----------

Comtech, Inc. Fayetteville, NC - 28314,

8.430 s Jan 6 2022 MiTek Industries, Inc. Thu Jun 22 18:11:41 2023 Page 1

ID:wAaOiCu?enbzDlvzeiq6d3zFzeT-RfC?PsB70Hq3NSgPqnL8w3ulTXbGKWrCDoi7J4zJC?f



4x6 =

Scale = 1:42.7

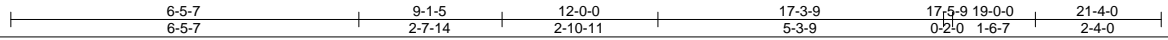
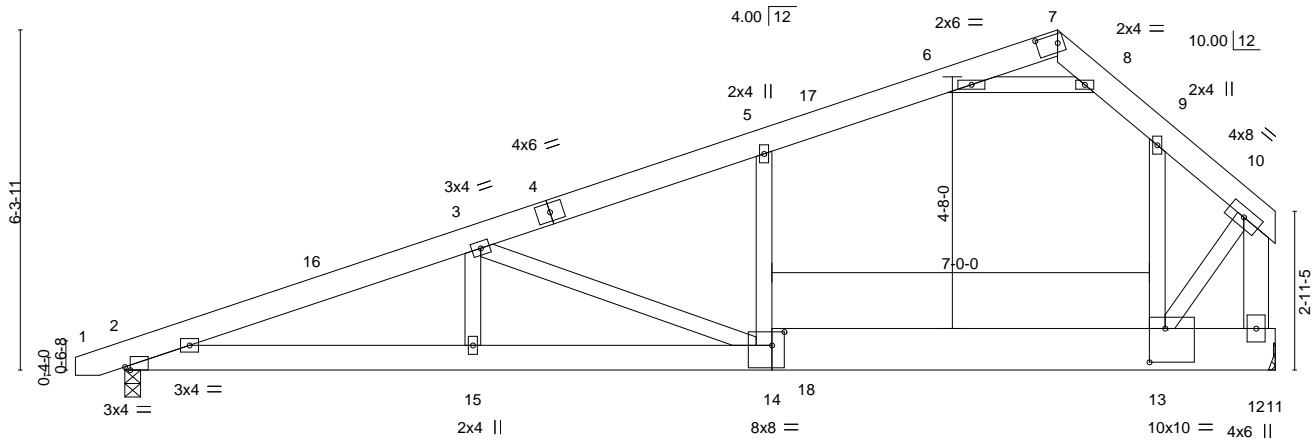


Plate Offsets (X, Y)-- [2:0-1-3,Edge], [7:0-4-10,0-2-0], [13:0-3-8,0-7-8], [14:0-2-12,0-3-0]

LOADING (psf)	SPACING-	2-0-0	CSI.	DEFL.	in (loc)	l/defl	L/d	PLATES	GRIP
TCLL 20.0	Plate Grip DOL	1.15	TC 0.44	Vert(LL)	-0.17	14-15	>999	MT20	244/190
TCDL 10.0	Lumber DOL	1.15	BC 0.67	Vert(CT)	-0.34	14-15	>727		
BCLL 0.0 *	Rep Stress Incr	YES	WB 0.65	Horz(CT)	0.02	12	n/a		
BCDL 10.0	Code IRC2015/TP12014		Matrix-S	Wind(LL)	0.13	14-15	>999	Weight: 157 lb	FT = 20%

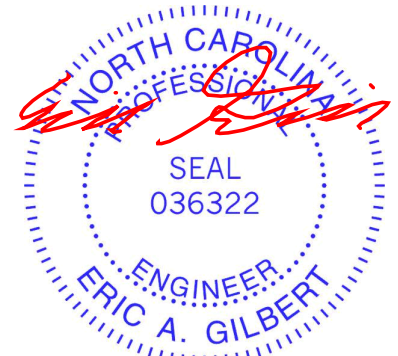
**LUMBER-**  
TOP CHORD 2x6 SP No.1  
BOT CHORD 2x6 SP 2400F 2.0E \*Except\*  
11-14: 2x10 SP No.1  
WEBS 2x4 SP No.2 \*Except\*  
10-12: 2x6 SP No.1, 5-14,6-8: 2x4 SP No.1

**BRACING-**  
TOP CHORD Structural wood sheathing directly applied or 5-5-7 oc purlins, except end verticals.  
BOT CHORD Rigid ceiling directly applied or 8-8-13 oc bracing.

**REACTIONS.** (size) 2=0-3-8, 12=Mechanical  
Max Horz 2=126(LC 9)  
Max Uplift 2=-51(LC 8), 12=-17(LC 8)  
Max Grav 2=885(LC 1), 12=957(LC 2)

**FORCES.** (lb) - Max. Comp./Max. Ten. - All forces 250 (lb) or less except when shown.  
TOP CHORD 2-3=-1995/233, 3-5=-979/148, 5-6=-856/188, 6-7=-56/639, 7-8=-12/394, 8-9=-798/206,  
9-10=-1134/174, 10-12=-1916/266  
BOT CHORD 2-15=-258/1830, 14-15=-258/1829, 13-14=-111/862  
WEBS 3-15=0/376, 6-8=-1479/260, 3-14=-1131/174, 9-13=0/478, 10-13=-184/1441

- NOTES-**
- 1) Unbalanced roof live loads have been considered for this design.
  - 2) Wind: ASCE 7-10; Vult=120mph Vasd=95mph; TCDL=6.0psf; BCDL=6.0psf; h=15ft; Cat. II; Exp C; Enclosed; MWFRS (envelope) and C-C Exterior(2) -0-8-5 to 3-8-8, Interior(1) 3-8-8 to 17-3-9, Exterior(2) 17-3-9 to 20-11-12 zone; C-C for members and forces & MWFRS for reactions shown; Lumber DOL=1.60 plate grip DOL=1.60
  - 3) This truss has been designed for a 10.0 psf bottom chord live load nonconcurrent with any other live loads.
  - 4) \* This truss has been designed for a live load of 30.0psf on the bottom chord in all areas where a rectangle 3-6-0 tall by 2-0-0 wide will fit between the bottom chord and any other members, with BCDL = 10.0psf.
  - 5) Refer to girder(s) for truss to truss connections.
  - 6) Provide mechanical connection (by others) of truss to bearing plate capable of withstanding 100 lb uplift at joint(s) 2, 12.
  - 7) See Standard Industry Piggyback Truss Connection Detail for Connection to base truss as applicable, or consult qualified building designer.



June 23, 2023

**WARNING - Verify design parameters and READ NOTES ON THIS AND INCLUDED MITEK REFERENCE PAGE MII-7473 rev. 1/2/2023 BEFORE USE.**  
Design valid for use only with MiTek® connectors. This design is based only upon parameters shown, and is for an individual building component, not a truss system. Before use, the building designer must verify the applicability of design parameters and properly incorporate this design into the overall building design. Bracing indicated is to prevent buckling of individual truss web and/or chord members only. Additional temporary and permanent bracing is always required for stability and to prevent collapse with possible personal injury and property damage. For general guidance regarding the fabrication, storage, delivery, erection and bracing of trusses and truss systems, see **ANSI/TPH Quality Criteria and DSB-22** available from Truss Plate Institute (www.tpinst.org) and **BCSI Building Component Safety Information** available from the Structural Building Component Association (www.sbcacomponents.com)



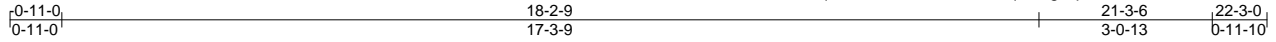
818 Soundside Road  
Edenton, NC 27932



Job J1023-6082	Truss C02GE	Truss Type GABLE	Qty 1	Ply 1	Lot A Hobby Rd Job Reference (optional)	I59138455
-------------------	----------------	---------------------	----------	----------	--	-----------

Comtech, Inc. Fayetteville, NC - 28314,

8.430 s Jan 6 2022 MiTek Industries, Inc. Thu Jun 22 18:11:42 2023 Page 1  
ID:wAaOiCu?enbzdIvzeiq6d3zFzeT-RfC?PsB70Hq3NSgPqnL8w3uITXbGKWrCDoi7J4zJC?f



Scale = 1:40.8

Plate Offsets (X,Y)--		[11:0-2-1,0-3-0]			
<b>LOADING</b> (psf)	<b>SPACING-</b> 2-0-0	<b>CSI.</b>	<b>DEFL.</b> in (loc) l/defl L/d	<b>PLATES</b>	<b>GRIP</b>
TCLL 20.0	Plate Grip DOL 1.15	TC 0.03	Vert(LL) -0.00 1 n/r 120	MT20	244/190
TCDL 10.0	Lumber DOL 1.15	BC 0.01	Vert(CT) 0.00 1 n/r 120		
BCLL 0.0 *	Rep Stress Incr YES	WB 0.06	Horz(CT) 0.00 14 n/a n/a		
BCDL 10.0	Code IRC2015/TPI2014	Matrix-S		Weight: 156 lb	FT = 20%

**LUMBER-**  
 TOP CHORD 2x6 SP No.1  
 BOT CHORD 2x6 SP No.1 \*Except\*  
 2-19: 2x6 SP 2400F 2.0E  
 WEBS 2x6 SP No.1  
 OTHERS 2x4 SP No.2

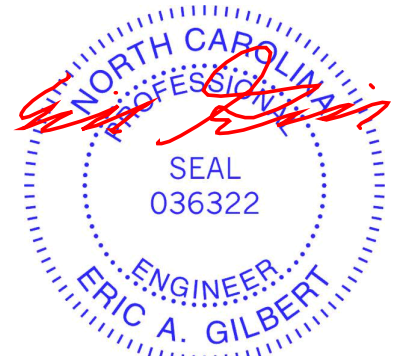
**BRACING-**  
 TOP CHORD Structural wood sheathing directly applied or 6-0-0 oc purlins, except end verticals.  
 BOT CHORD Rigid ceiling directly applied or 10-0-0 oc bracing.

**REACTIONS.** All bearings 21-4-0.  
 (lb) - Max Horz 2=171(LC 9)  
 Max Uplift All uplift 100 lb or less at joint(s) 2, 14, 17, 18, 20, 21, 22, 23, 24, 15  
 Max Grav All reactions 250 lb or less at joint(s) 2, 14, 16, 17, 18, 20, 21, 22, 23, 15 except 24=259(LC 23)

**FORCES.** (lb) - Max. Comp./Max. Ten. - All forces 250 (lb) or less except when shown.

**NOTES-**

- 1) Unbalanced roof live loads have been considered for this design.
- 2) Wind: ASCE 7-10; Vult=120mph Vasd=95mph; TCDL=6.0psf; BCDL=6.0psf; h=15ft; Cat. II; Exp C; Enclosed; MWFRS (envelope) gable end zone and C-C Exterior(2) zone; C-C for members and forces & MWFRS for reactions shown; Lumber DOL=1.60 plate grip DOL=1.60
- 3) Truss designed for wind loads in the plane of the truss only. For studs exposed to wind (normal to the face), see Standard Industry Gable End Details as applicable, or consult qualified building designer as per ANSI/TPI 1.
- 4) All plates are 2x4 MT20 unless otherwise indicated.
- 5) Gable requires continuous bottom chord bearing.
- 6) Gable studs spaced at 2-0-0 oc.
- 7) This truss has been designed for a 10.0 psf bottom chord live load nonconcurrent with any other live loads.
- 8) \* This truss has been designed for a live load of 30.0psf on the bottom chord in all areas where a rectangle 3-6-0 tall by 2-0-0 wide will fit between the bottom chord and any other members.
- 9) Provide mechanical connection (by others) of truss to bearing plate capable of withstanding 100 lb uplift at joint(s) 2, 14, 17, 18, 20, 21, 22, 23, 24, 15.
- 10) See Standard Industry Piggyback Truss Connection Detail for Connection to base truss as applicable, or consult qualified building designer.



June 23, 2023

**WARNING - Verify design parameters and READ NOTES ON THIS AND INCLUDED MITEK REFERENCE PAGE MII-7473 rev. 1/2/2023 BEFORE USE.**

Design valid for use only with MiTek® connectors. This design is based only upon parameters shown, and is for an individual building component, not a truss system. Before use, the building designer must verify the applicability of design parameters and properly incorporate this design into the overall building design. Bracing indicated is to prevent buckling of individual truss web and/or chord members only. Additional temporary and permanent bracing is always required for stability and to prevent collapse with possible personal injury and property damage. For general guidance regarding the fabrication, storage, delivery, erection and bracing of trusses and truss systems, see **ANSI/TPI Quality Criteria and DSB-22** available from Truss Plate Institute (www.tpinst.org) and **BCSI Building Component Safety Information** available from the Structural Building Component Association (www.sbcacomponents.com)



818 Soundside Road  
 Edenton, NC 27932

Job J1023-6082	Truss D01	Truss Type ROOF TRUSS	Qty 1	Ply 1	Lot A Hobby Rd Job Reference (optional)	I59138456
-------------------	--------------	--------------------------	----------	----------	--	-----------

Comtech, Inc. Fayetteville, NC - 28314,

8.430 s Jan 6 2022 MiTek Industries, Inc. Thu Jun 22 18:11:44 2023 Page 1

ID:wAaOiCu?enbzDlvzeiq6d3zFzeT-RfC?PsB70Hq3NSgPqnL8w3uITXbGKWRCDoi7J4zJC?f



5x10 M18AHS =

Scale = 1:77.1

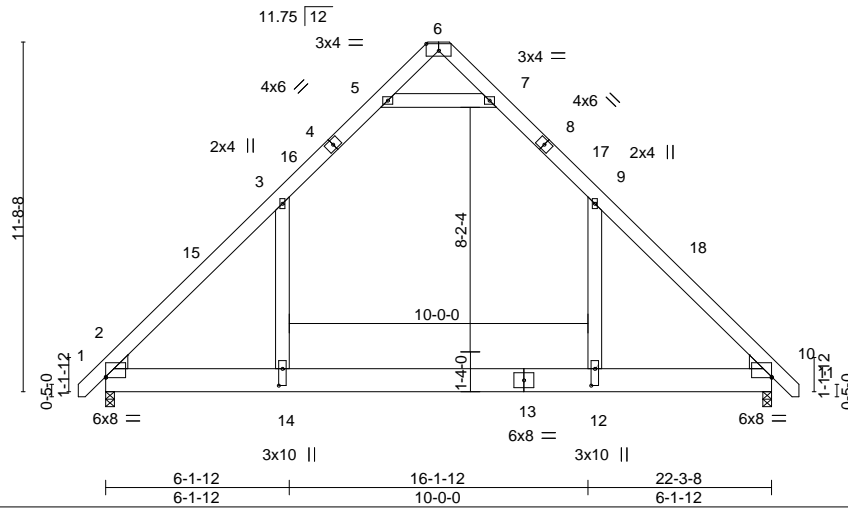


Plate Offsets (X, Y)--	[2:0-0-0,0-0-6], [6:0-5-0,Edge], [10:Edge,0-0-6], [12:0-6-12,0-1-8], [14:0-6-12,0-1-8]
------------------------	--

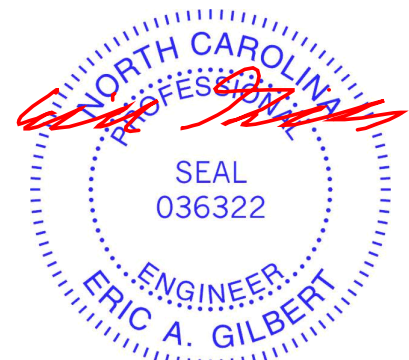
LOADING (psf)	SPACING-	2-0-0	CSI.	DEFL.	in (loc)	l/defl	L/d	PLATES	GRIP
TCLL 20.0	Plate Grip DOL	1.15	TC 0.58	Vert(LL)	-0.22 12-14	>999	360	MT20	244/190
TCDL 10.0	Lumber DOL	1.15	BC 0.68	Vert(CT)	-0.42 12-14	>630	240	M18AHS	186/179
BCLL 0.0 *	Rep Stress Incr	YES	WB 0.11	Horz(CT)	0.01 10	n/a	n/a		
BCDL 10.0	Code IRC2015/TPI2014		Matrix-S	Wind(LL)	0.09 12-14	>999	240		Weight: 205 lb FT = 20%

LUMBER-	BRACING-
TOP CHORD 2x6 SP 2400F 2.0E	TOP CHORD Structural wood sheathing directly applied or 6-0-0 oc purlins.
BOT CHORD 2x10 SP No.1	BOT CHORD Rigid ceiling directly applied or 10-0-0 oc bracing.
WEBS 2x6 SP No.1	
WEDGE	
Left: 2x6 SP No.2 , Right: 2x6 SP No.2	

**REACTIONS.** (size) 2=0-3-8, 10=0-3-8  
 Max Horz 2=235(LC 10)  
 Max Grav 2=1425(LC 20), 10=1425(LC 21)

**FORCES.** (lb) - Max. Comp./Max. Ten. - All forces 250 (lb) or less except when shown.  
 TOP CHORD 2-3=-1777/0, 3-5=-971/86, 5-6=-10/618, 6-7=-10/618, 7-9=-971/86, 9-10=-1777/0  
 BOT CHORD 2-14=0/1036, 12-14=0/1036, 10-12=0/1036  
 WEBS 3-14=0/810, 9-12=0/810, 5-7=-1761/127

- NOTES-**
- 1) Unbalanced roof live loads have been considered for this design.
  - 2) Wind: ASCE 7-10; Vult=120mph Vasd=95mph; TCDL=6.0psf; BCDL=6.0psf; h=15ft; Cat. II; Exp C; Enclosed; MWFRS (envelope) and C-C Exterior(2) -0-9-10 to 3-7-3, Interior(1) 3-7-3 to 11-1-12, Exterior(2) 11-1-12 to 15-6-9, Interior(1) 15-6-9 to 23-1-2 zone; C-C for members and forces & MWFRS for reactions shown; Lumber DOL=1.60 plate grip DOL=1.60
  - 3) All plates are MT20 plates unless otherwise indicated.
  - 4) This truss has been designed for a 10.0 psf bottom chord live load nonconcurrent with any other live loads.
  - 5) \* This truss has been designed for a live load of 30.0psf on the bottom chord in all areas where a rectangle 3-6-0 tall by 2-0-0 wide will fit between the bottom chord and any other members.
  - 6) Ceiling dead load (10.0 psf) on member(s). 3-5, 7-9, 5-7; Wall dead load (5.0psf) on member(s). 3-14, 9-12
  - 7) Bottom chord live load (40.0 psf) and additional bottom chord dead load (10.0 psf) applied only to room. 12-14
  - 8) Attic room checked for L/360 deflection.



June 23, 2023

<p><b>WARNING - Verify design parameters and READ NOTES ON THIS AND INCLUDED MITEK REFERENCE PAGE MII-7473 rev. 1/2/2023 BEFORE USE.</b></p> <p>Design valid for use only with MiTek® connectors. This design is based only upon parameters shown, and is for an individual building component, not a truss system. Before use, the building designer must verify the applicability of design parameters and properly incorporate this design into the overall building design. Bracing indicated is to prevent buckling of individual truss web and/or chord members only. Additional temporary and permanent bracing is always required for stability and to prevent collapse with possible personal injury and property damage. For general guidance regarding the fabrication, storage, delivery, erection and bracing of trusses and truss systems, see <b>ANSI/TP1 Quality Criteria and DSB-22</b> available from Truss Plate Institute (www.tpinst.org) and <b>BCSI Building Component Safety Information</b> available from the Structural Building Component Association (www.sbcacomponents.com)</p>	<p>ENGINEERING BY</p> <p>A MiTek Affiliate</p> <p>818 Soundside Road Edenton, NC 27932</p>
--	--

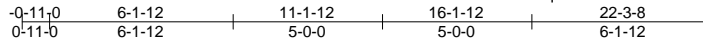


Job J1023-6082	Truss D02	Truss Type ROOF TRUSS	Qty 6	Ply 1	Lot A Hobby Rd I59138458
-------------------	--------------	--------------------------	----------	----------	-----------------------------

Comtech, Inc. Fayetteville, NC - 28314,

8.430 s Jan 6 2022 MiTek Industries, Inc. Thu Jun 22 18:11:48 2023 Page 1

ID:wAaOiCu?enbzDlvzeiq6d3zFzeT-RfC?PsB70Hq3NSgPqnL8w3uITXbGKwRCDoi7J4zJC?f



5x10 M18AHS =

Scale = 1:77.1

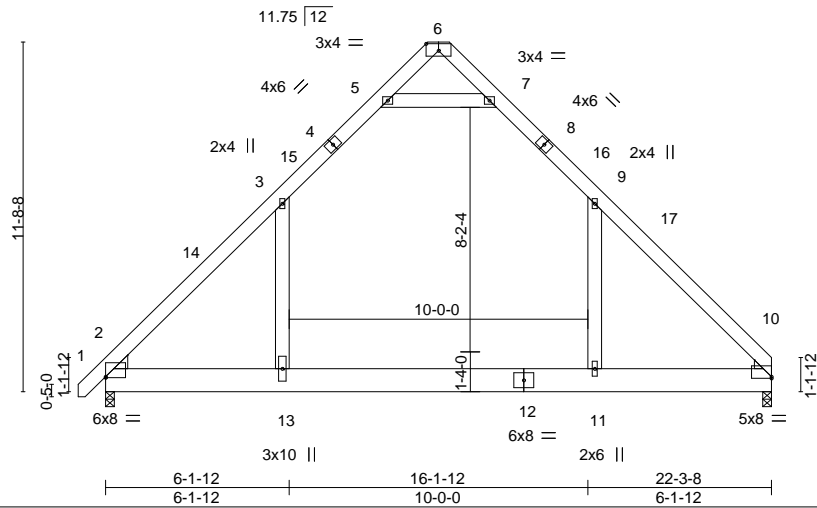


Plate Offsets (X,Y)--	[2:0-0-0,0-0-6], [6:0-5-0,Edge], [10:0-0-0,0-0-10]
-----------------------	--

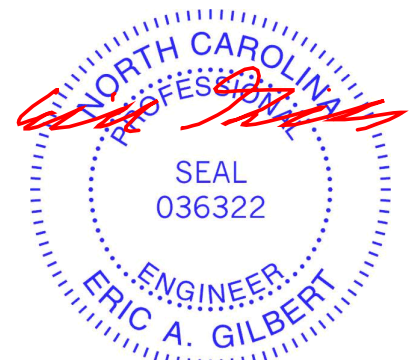
LOADING (psf)	SPACING-	CSI.	DEFL.	PLATES	GRIP
TCLL 20.0	2-0-0	TC 0.59	in (loc) l/defl L/d	MT20 244/190	M18AHS 186/179
TCDL 10.0	Plate Grip DOL 1.15	BC 0.69	Vert(LL) -0.23 11-13 >999 360		
BCLL 0.0 *	Lumber DOL 1.15	WB 0.11	Vert(CT) -0.43 11-13 >620 240		
BCDL 10.0	Rep Stress Incr YES	Matrix-S	Horz(CT) 0.01 10 n/a n/a		
	Code IRC2015/TPI2014		Wind(LL) 0.10 11-13 >999 240	Weight: 202 lb	FT = 20%

LUMBER-	BRACING-
TOP CHORD 2x6 SP 2400F 2.0E	TOP CHORD Structural wood sheathing directly applied or 6-0-0 oc purlins.
BOT CHORD 2x10 SP No.1	BOT CHORD Rigid ceiling directly applied or 10-0-0 oc bracing.
WEBS 2x6 SP No.1	
WEDGE	
Left: 2x6 SP No.2 , Right: 2x4 SP No.3	

**REACTIONS.** (size) 2=0-3-8, 10=0-3-8  
 Max Horz 2=233(LC 9)  
 Max Grav 2=1426(LC 20), 10=1374(LC 20)

**FORCES.** (lb) - Max. Comp./Max. Ten. - All forces 250 (lb) or less except when shown.  
 TOP CHORD 2-3=-1780/0, 3-5=-968/86, 5-6=-19/628, 6-7=-11/623, 7-9=-974/91, 9-10=-1748/0  
 BOT CHORD 2-13=0/1032, 11-13=0/1032, 10-11=0/1032  
 WEBS 3-13=0/816, 9-11=0/771, 5-7=-1772/141

- NOTES-**
- 1) Unbalanced roof live loads have been considered for this design.
  - 2) Wind: ASCE 7-10; Vult=120mph Vasd=95mph; TCDL=6.0psf; BCDL=6.0psf; h=15ft; Cat. II; Exp C; Enclosed; MWFRS (envelope) and C-C Exterior(2) -0-9-10 to 3-7-3, Interior(1) 3-7-3 to 11-1-12, Exterior(2) 11-1-12 to 15-6-9, Interior(1) 15-6-9 to 22-1-12 zone;C-C for members and forces & MWFRS for reactions shown; Lumber DOL=1.60 plate grip DOL=1.60
  - 3) All plates are MT20 plates unless otherwise indicated.
  - 4) This truss has been designed for a 10.0 psf bottom chord live load nonconcurrent with any other live loads.
  - 5) \* This truss has been designed for a live load of 30.0psf on the bottom chord in all areas where a rectangle 3-6-0 tall by 2-0-0 wide will fit between the bottom chord and any other members.
  - 6) Ceiling dead load (10.0 psf) on member(s). 3-5, 7-9, 5-7; Wall dead load (5.0psf) on member(s).3-13, 9-11
  - 7) Bottom chord live load (40.0 psf) and additional bottom chord dead load (10.0 psf) applied only to room. 11-13
  - 8) Attic room checked for L/360 deflection.



June 23, 2023

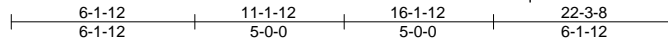
<p><b>WARNING - Verify design parameters and READ NOTES ON THIS AND INCLUDED MITEK REFERENCE PAGE MII-7473 rev. 1/2/2023 BEFORE USE.</b></p> <p>Design valid for use only with MiTek® connectors. This design is based only upon parameters shown, and is for an individual building component, not a truss system. Before use, the building designer must verify the applicability of design parameters and properly incorporate this design into the overall building design. Bracing indicated is to prevent buckling of individual truss web and/or chord members only. Additional temporary and permanent bracing is always required for stability and to prevent collapse with possible personal injury and property damage. For general guidance regarding the fabrication, storage, delivery, erection and bracing of trusses and truss systems, see <b>ANSI/TP1 Quality Criteria and DSB-22</b> available from Truss Plate Institute (www.tpinst.org) and <b>BCSI Building Component Safety Information</b> available from the Structural Building Component Association (www.sbcacomponents.com)</p>	<p>ENGINEERING BY</p> <p><b>TRENCO</b></p> <p>A MiTek Affiliate</p> <p>818 Soundside Road Edenton, NC 27932</p>
--	---

Job J1023-6082	Truss D03	Truss Type ROOF TRUSS	Qty 1	Ply 1	Lot A Hobby Rd Job Reference (optional)	I59138459
-------------------	--------------	--------------------------	----------	----------	--	-----------

Comtech, Inc. Fayetteville, NC - 28314,

8.430 s Jan 6 2022 MiTek Industries, Inc. Thu Jun 22 18:11:50 2023 Page 1

ID:wAaOiCu?enbzdIvzeiq6d3zFzeT-RfC?PsB70Hq3NSgPqnL8w3uITXbGKWrCDoi7J4zJC?f



5x10 M18AHS =

Scale = 1:77.1

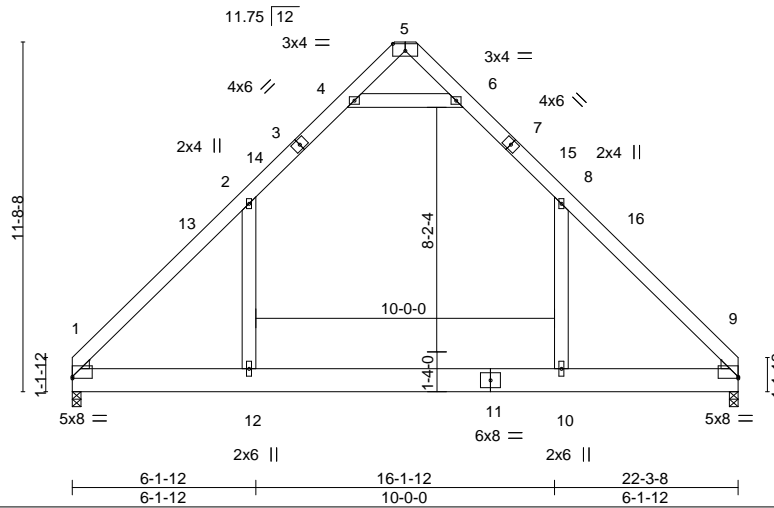


Plate Offsets (X,Y)-- [1:0-0-0,0-0-10], [5:0-5-0,Edge], [9:Edge,0-0-10]

LOADING (psf)	SPACING-	CSI.	DEFL.	PLATES	GRIP
TCLL 20.0	2-0-0	TC 0.59	in (loc) l/defl L/d	MT20 244/190	M18AHS 186/179
TCDL 10.0	Plate Grip DOL 1.15	BC 0.70	Vert(LL) -0.23 10-12 >999 360	Weight: 198 lb	FT = 20%
BCLL 0.0 *	Lumber DOL 1.15	WB 0.11	Vert(CT) -0.43 10-12 >610 240		
BCDL 10.0	Rep Stress Incr YES	Matrix-S	Horz(CT) 0.01 9 n/a n/a		
	Code IRC2015/TPI2014		Wind(LL) 0.10 10-12 >999 240		

**LUMBER-**  
TOP CHORD 2x6 SP 2400F 2.0E  
BOT CHORD 2x10 SP No.1  
WEBS 2x6 SP No.1  
WEDGE  
Left: 2x4 SP No.3 , Right: 2x4 SP No.3

**BRACING-**  
TOP CHORD Structural wood sheathing directly applied or 6-0-0 oc purlins.  
BOT CHORD Rigid ceiling directly applied or 10-0-0 oc bracing.

**REACTIONS.** (size) 1=0-3-8, 9=0-3-8  
Max Horz 1=228(LC 9)  
Max Grav 1=1375(LC 21), 9=1375(LC 20)

**FORCES.** (lb) - Max. Comp./Max. Ten. - All forces 250 (lb) or less except when shown.  
TOP CHORD 1-2=-1751/0, 2-4=-971/90, 4-5=-20/632, 5-6=-20/633, 6-8=-971/90, 8-9=-1751/0  
BOT CHORD 1-12=0/1032, 10-12=0/1032, 9-10=0/1032  
WEBS 2-12=0/776, 8-10=0/776, 4-6=-1781/144

- NOTES-**
- Unbalanced roof live loads have been considered for this design.
  - Wind: ASCE 7-10; Vult=120mph Vasd=95mph; TCDL=6.0psf; BCDL=6.0psf; h=15ft; Cat. II; Exp C; Enclosed; MWFRS (envelope) and C-C Exterior(2) 0-1-12 to 4-6-9, Interior(1) 4-6-9 to 11-1-12, Exterior(2) 11-1-12 to 15-6-9, Interior(1) 15-6-9 to 22-1-12 zone; C-C for members and forces & MWFRS for reactions shown; Lumber DOL=1.60 plate grip DOL=1.60
  - All plates are MT20 plates unless otherwise indicated.
  - This truss has been designed for a 10.0 psf bottom chord live load nonconcurrent with any other live loads.
  - \* This truss has been designed for a live load of 30.0psf on the bottom chord in all areas where a rectangle 3-6-0 tall by 2-0-0 wide will fit between the bottom chord and any other members.
  - Ceiling dead load (10.0 psf) on member(s). 2-4, 6-8, 4-6; Wall dead load (5.0psf) on member(s). 2-12, 8-10
  - Bottom chord live load (40.0 psf) and additional bottom chord dead load (10.0 psf) applied only to room. 10-12
  - Attic room checked for L/360 deflection.



June 23, 2023

**WARNING - Verify design parameters and READ NOTES ON THIS AND INCLUDED MITEK REFERENCE PAGE MII-7473 rev. 1/2/2023 BEFORE USE.**  
Design valid for use only with MiTek® connectors. This design is based only upon parameters shown, and is for an individual building component, not a truss system. Before use, the building designer must verify the applicability of design parameters and properly incorporate this design into the overall building design. Bracing indicated is to prevent buckling of individual truss web and/or chord members only. Additional temporary and permanent bracing is always required for stability and to prevent collapse with possible personal injury and property damage. For general guidance regarding the fabrication, storage, delivery, erection and bracing of trusses and truss systems, see **ANSI/TPH Quality Criteria and DSB-22** available from Truss Plate Institute (www.tpinst.org) and **BCSI Building Component Safety Information** available from the Structural Building Component Association (www.sbcacomponents.com)



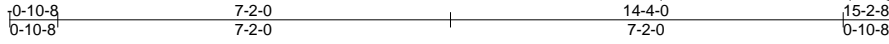
818 Soundside Road  
Edenton, NC 27932

Job J1023-6082	Truss E01	Truss Type COMMON	Qty 1	Ply 1	Lot A Hobby Rd I59138460
-------------------	--------------	----------------------	----------	----------	-----------------------------

Comtech, Inc. Fayetteville, NC - 28314,

8.430 s Jan 6 2022 MiTek Industries, Inc. Thu Jun 22 18:11:51 2023 Page 1

ID:wAaOiCu?enbzdIvzeiq6d3zFzeT-RfC?PsB70Hq3NSgPqnL8w3uITXbGKWrCDoi7J4zJC?f



5x5 =

Scale = 1:42.0

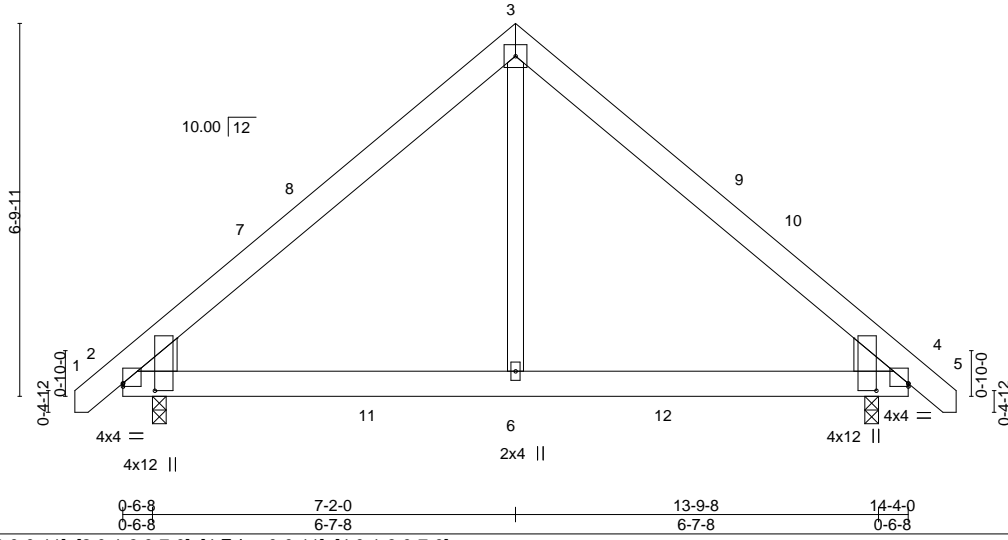


Plate Offsets (X,Y)-- [2:0-0-0,0-0-11], [2:0-1-9,0-7-0], [4:Edge,0-0-11], [4:0-1-9,0-7-0]

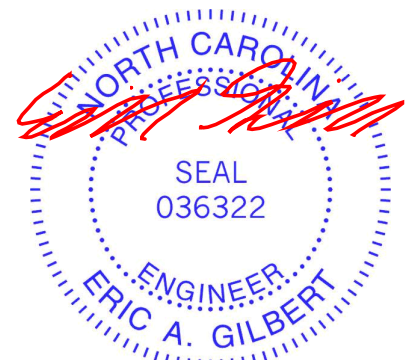
LOADING (psf)	SPACING-	2-0-0	CSI.	DEFL.	in	(loc)	l/defl	L/d	PLATES	GRIP
TCLL 20.0	Plate Grip DOL	1.15	TC 0.23	Vert(LL)	-0.02	2-6	>999	360	MT20	244/190
TCDL 10.0	Lumber DOL	1.15	BC 0.35	Vert(CT)	-0.04	2-6	>999	240		
BCLL 0.0 *	Rep Stress Incr	YES	WB 0.24	Horz(CT)	0.01	4	n/a	n/a		
BCDL 10.0	Code IRC2015/TPI2014		Matrix-S	Wind(LL)	0.04	4-6	>999	240	Weight: 97 lb	FT = 20%

LUMBER-	BRACING-
TOP CHORD 2x6 SP No.1	TOP CHORD Structural wood sheathing directly applied or 6-0-0 oc purlins.
BOT CHORD 2x6 SP No.1	BOT CHORD Rigid ceiling directly applied or 10-0-0 oc bracing.
WEBS 2x4 SP No.2	
WEDGE	
Left: 2x8 SP No.1 , Right: 2x8 SP No.1	

**REACTIONS.** (size) 2=0-3-0, 4=0-3-0  
 Max Horz 2=-135(LC 10)  
 Max Uplift 2=-39(LC 9), 4=-39(LC 8)  
 Max Grav 2=658(LC 2), 4=658(LC 2)

**FORCES.** (lb) - Max. Comp./Max. Ten. - All forces 250 (lb) or less except when shown.  
 TOP CHORD 2-3=-709/452, 3-4=-709/452  
 BOT CHORD 2-6=-192/461, 4-6=-192/461  
 WEBS 3-6=-371/475

- NOTES-**
- Unbalanced roof live loads have been considered for this design.
  - Wind: ASCE 7-10; Vult=120mph Vasd=95mph; TCDL=6.0psf; BCDL=6.0psf; h=15ft; Cat. II; Exp C; Enclosed; MWFRS (envelope) and C-C Exterior(2) -0-9-1 to 3-7-12, Interior(1) 3-7-12 to 7-2-0, Exterior(2) 7-2-0 to 11-6-13, Interior(1) 11-6-13 to 15-1-1 zone; porch left and right exposed; C-C for members and forces & MWFRS for reactions shown; Lumber DOL=1.60 plate grip DOL=1.60
  - This truss has been designed for a 10.0 psf bottom chord live load nonconcurrent with any other live loads.
  - \* This truss has been designed for a live load of 30.0psf on the bottom chord in all areas where a rectangle 3-6-0 tall by 2-0-0 wide will fit between the bottom chord and any other members, with BCDL = 10.0psf.
  - Provide mechanical connection (by others) of truss to bearing plate capable of withstanding 100 lb uplift at joint(s) 2, 4.

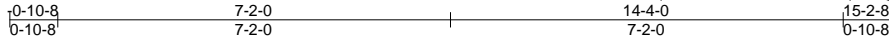


June 23, 2023

Job J1023-6082	Truss E01SG	Truss Type GABLE	Qty 1	Ply 1	Lot A Hobby Rd I59138461
-------------------	----------------	---------------------	----------	----------	-----------------------------

Comtech, Inc. Fayetteville, NC - 28314,

8.430 s Jan 6 2022 MiTek Industries, Inc. Thu Jun 22 18:11:53 2023 Page 1  
ID:wAaOiCu?enbzdVlzeiq6d3zFzeT-RfC?PsB70Hq3NSgPqnL8w3uITXbGKWrCDoi7J4zJC?f



5x5 =

Scale = 1:42.0

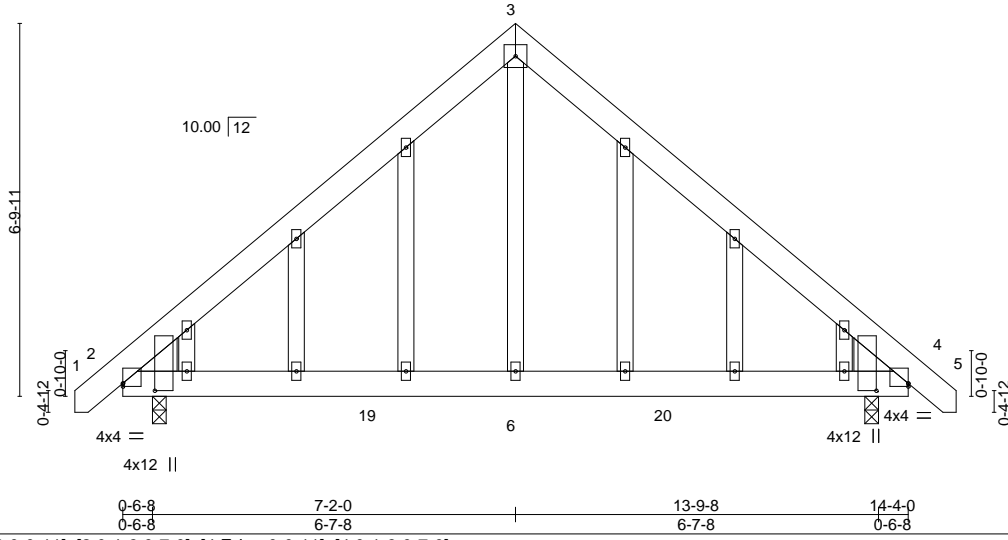


Plate Offsets (X,Y)-- [2:0-0-0,0-0-11], [2:0-1-9,0-7-0], [4:Edge,0-0-11], [4:0-1-9,0-7-0]

LOADING (psf)	SPACING-	2-0-0	CSI.	DEFL.	in (loc)	l/defl	L/d	PLATES	GRIP
TCLL 20.0	Plate Grip DOL	1.15	TC 0.23	Vert(LL)	-0.02	2-6	>999	MT20	244/190
TCDL 10.0	Lumber DOL	1.15	BC 0.35	Vert(CT)	-0.04	2-6	>999		
BCLL 0.0 *	Rep Stress Incr	YES	WB 0.24	Horz(CT)	0.01	4	n/a		
BCDL 10.0	Code IRC2015/TPI2014		Matrix-S	Wind(LL)	0.04	4-6	>999		
								Weight: 119 lb	FT = 20%

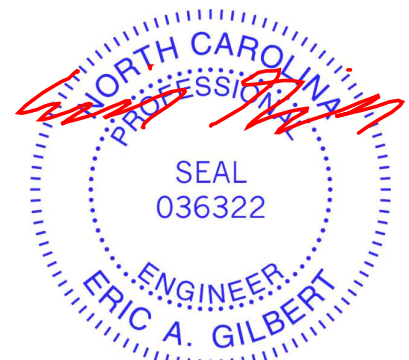
**LUMBER-**  
TOP CHORD 2x6 SP No.1  
BOT CHORD 2x6 SP No.1  
WEBS 2x4 SP No.2  
OTHERS 2x4 SP No.2  
WEDGE  
Left: 2x8 SP No.1 , Right: 2x8 SP No.1

**BRACING-**  
TOP CHORD Structural wood sheathing directly applied or 6-0-0 oc purlins.  
BOT CHORD Rigid ceiling directly applied or 10-0-0 oc bracing.

**REACTIONS.** (size) 2=0-3-0, 4=0-3-0  
Max Horz 2=-169(LC 10)  
Max Uplift 2=-78(LC 12), 4=-78(LC 13)  
Max Grav 2=658(LC 2), 4=658(LC 2)

**FORCES.** (lb) - Max. Comp./Max. Ten. - All forces 250 (lb) or less except when shown.  
TOP CHORD 2-3=-709/462, 3-4=-709/462  
BOT CHORD 2-6=-198/468, 4-6=-198/468  
WEBS 3-6=-375/475

- NOTES-**
- 1) Unbalanced roof live loads have been considered for this design.
  - 2) Wind: ASCE 7-10; Vult=120mph Vasd=95mph; TCDL=6.0psf; BCDL=6.0psf; h=15ft; Cat. II; Exp C; Enclosed; MWFRS (envelope) gable end zone and C-C Exterior(2) zone; porch left and right exposed;C-C for members and forces & MWFRS for reactions shown; Lumber DOL=1.60 plate grip DOL=1.60
  - 3) Truss designed for wind loads in the plane of the truss only. For studs exposed to wind (normal to the face), see Standard Industry Gable End Details as applicable, or consult qualified building designer as per ANSI/TPI 1.
  - 4) All plates are 2x4 MT20 unless otherwise indicated.
  - 5) Gable studs spaced at 2-0-0 oc.
  - 6) This truss has been designed for a 10.0 psf bottom chord live load nonconcurrent with any other live loads.
  - 7) \* This truss has been designed for a live load of 30.0psf on the bottom chord in all areas where a rectangle 3-6-0 tall by 2-0-0 wide will fit between the bottom chord and any other members, with BCDL = 10.0psf.
  - 8) Provide mechanical connection (by others) of truss to bearing plate capable of withstanding 100 lb uplift at joint(s) 2, 4.



June 23, 2023

**WARNING - Verify design parameters and READ NOTES ON THIS AND INCLUDED MITEK REFERENCE PAGE MII-7473 rev. 1/2/2023 BEFORE USE.**  
Design valid for use only with MiTek® connectors. This design is based only upon parameters shown, and is for an individual building component, not a truss system. Before use, the building designer must verify the applicability of design parameters and properly incorporate this design into the overall building design. Bracing indicated is to prevent buckling of individual truss web and/or chord members only. Additional temporary and permanent bracing is always required for stability and to prevent collapse with possible personal injury and property damage. For general guidance regarding the fabrication, storage, delivery, erection and bracing of trusses and truss systems, see **ANSI/TPH Quality Criteria and DSB-22** available from Truss Plate Institute (www.tpinst.org) and **BCSI Building Component Safety Information** available from the Structural Building Component Association (www.sbcacomponents.com)

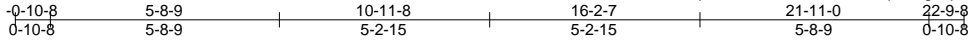
ENGINEERING BY  
**TRENCO**  
A MiTek Affiliate  
818 Soundside Road  
Edenton, NC 27932

Job J1023-6082	Truss G01	Truss Type COMMON	Qty 5	Ply 1	Lot A Hobby Rd I59138462
-------------------	--------------	----------------------	----------	----------	-----------------------------

Comtech, Inc. Fayetteville, NC - 28314,

8.430 s Jan 6 2022 MiTek Industries, Inc. Thu Jun 22 18:11:54 2023 Page 1

ID:wAaOiCu?enbzDlvzeiq6d3zFzeT-RfC?PsB70Hq3NSgPqnL8w3uITXbGKWrCDoi7J4zJC?f



5x5 =

Scale = 1:57.5

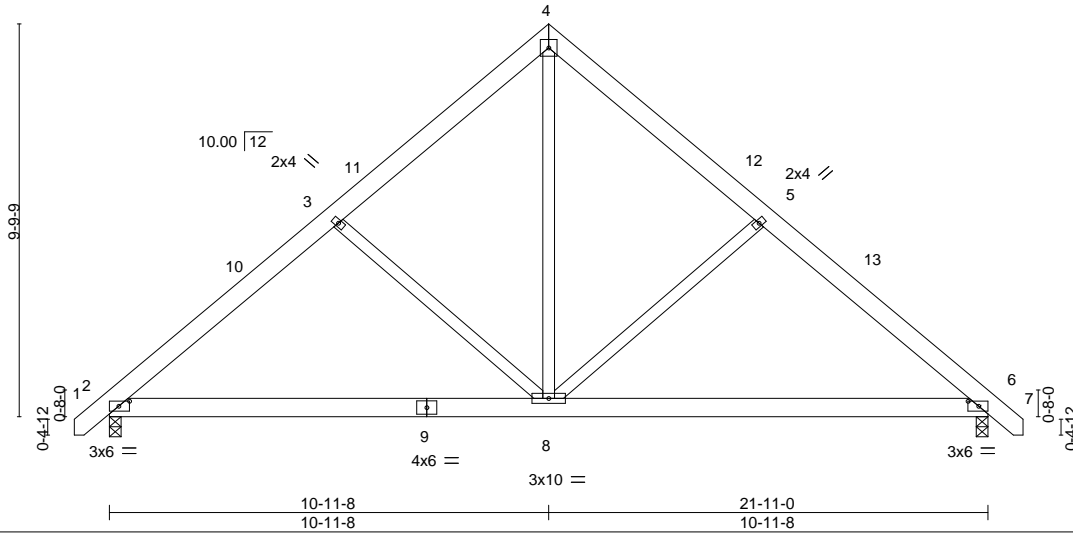


Plate Offsets (X,Y)--	[2:0-3-3,0-1-8], [6:0-3-3,0-1-8]
-----------------------	----------------------------------

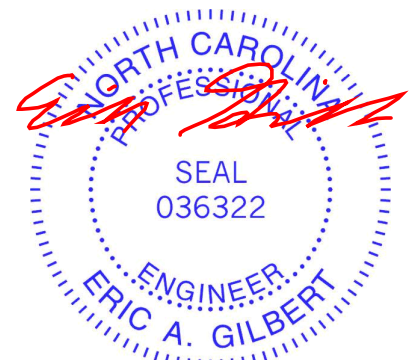
LOADING (psf)	SPACING-	CSI.	DEFL.	PLATES	GRIP
TCLL 20.0	2-0-0	TC 0.13	in (loc) l/defl L/d	MT20	244/190
TCDL 10.0	Plate Grip DOL 1.15	BC 0.38	Vert(LL) -0.07 2-8 >999 360		
BCLL 0.0 *	Lumber DOL 1.15	WB 0.29	Vert(CT) -0.14 2-8 >999 240		
BCDL 10.0	Rep Stress Incr YES	Matrix-S	Horz(CT) 0.01 6 n/a n/a		
	Code IRC2015/TPI2014		Wind(LL) 0.01 2-8 >999 240	Weight: 157 lb	FT = 20%

LUMBER-	BRACING-
TOP CHORD 2x6 SP No.1	TOP CHORD Structural wood sheathing directly applied or 6-0-0 oc purlins.
BOT CHORD 2x6 SP No.1	BOT CHORD Rigid ceiling directly applied or 10-0-0 oc bracing.
WEBS 2x4 SP No.2	

**REACTIONS.** (size) 2=0-3-8, 6=0-3-8  
 Max Horz 2=199(LC 11)  
 Max Uplift 2=-2(LC 12), 6=-2(LC 13)  
 Max Grav 2=919(LC 1), 6=919(LC 1)

**FORCES.** (lb) - Max. Comp./Max. Ten. - All forces 250 (lb) or less except when shown.  
 TOP CHORD 2-3=-1047/190, 3-4=-816/205, 4-5=-816/205, 5-6=-1047/190  
 BOT CHORD 2-8=-39/781, 6-8=-34/739  
 WEBS 4-8=-118/707, 5-8=-340/204, 3-8=-340/204

- NOTES-**
- 1) Unbalanced roof live loads have been considered for this design.
  - 2) Wind: ASCE 7-10; Vult=120mph Vasd=95mph; TCDL=6.0psf; BCDL=6.0psf; h=15ft; Cat. II; Exp C; Enclosed; MWFRS (envelope) and C-C Exterior(2) -0-9-1 to 3-7-12, Interior(1) 3-7-12 to 10-11-8, Exterior(2) 10-11-8 to 15-4-5, Interior(1) 15-4-5 to 22-8-1 zone:C-C for members and forces & MWFRS for reactions shown; Lumber DOL=1.60 plate grip DOL=1.60
  - 3) This truss has been designed for a 10.0 psf bottom chord live load nonconcurrent with any other live loads.
  - 4) \* This truss has been designed for a live load of 30.0psf on the bottom chord in all areas where a rectangle 3-6-0 tall by 2-0-0 wide will fit between the bottom chord and any other members.
  - 5) Provide mechanical connection (by others) of truss to bearing plate capable of withstanding 100 lb uplift at joint(s) 2, 6.



June 23, 2023

<p><b>WARNING - Verify design parameters and READ NOTES ON THIS AND INCLUDED MITEK REFERENCE PAGE MII-7473 rev. 1/2/2023 BEFORE USE.</b></p> <p>Design valid for use only with MiTek® connectors. This design is based only upon parameters shown, and is for an individual building component, not a truss system. Before use, the building designer must verify the applicability of design parameters and properly incorporate this design into the overall building design. Bracing indicated is to prevent buckling of individual truss web and/or chord members only. Additional temporary and permanent bracing is always required for stability and to prevent collapse with possible personal injury and property damage. For general guidance regarding the fabrication, storage, delivery, erection and bracing of trusses and truss systems, see <b>ANSI/TPH Quality Criteria and DSB-22</b> available from Truss Plate Institute (www.tpinst.org) and <b>BCSI Building Component Safety Information</b> available from the Structural Building Component Association (www.sbcacomponents.com)</p>	<p>ENGINEERING BY</p> <p><b>TRENCO</b></p> <p>A MITEK Affiliate</p> <p>818 Soundside Road Edenton, NC 27932</p>
--	---



Job J1023-6082	Truss G01GE	Truss Type GABLE	Qty 1	Ply 1	Lot A Hobby Rd Job Reference (optional)	I59138463
-------------------	----------------	---------------------	----------	----------	--	-----------

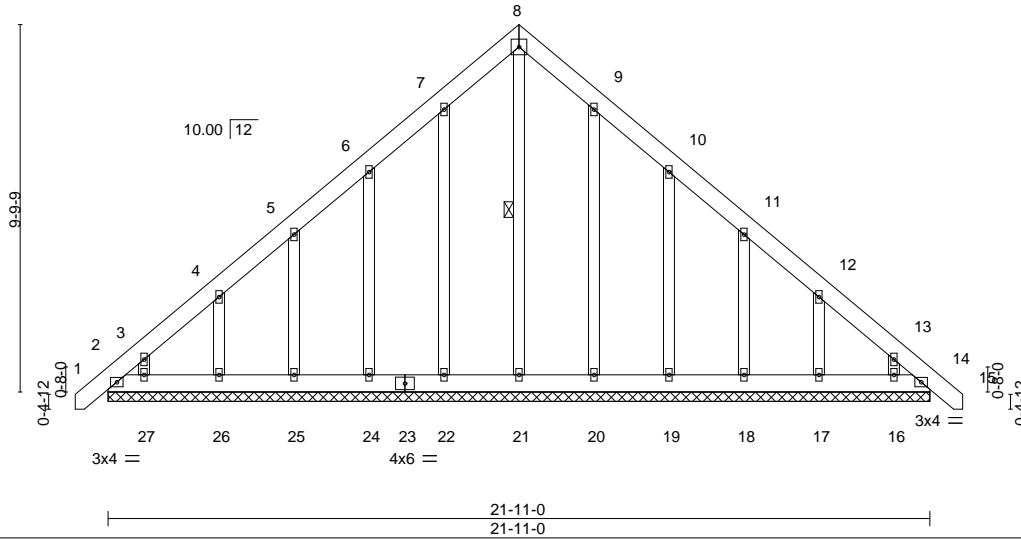
Comtech, Inc. Fayetteville, NC - 28314,

8.430 s Jan 6 2022 MiTek Industries, Inc. Thu Jun 22 18:11:56 2023 Page 1

0-10-8 10-11-8 21-11-0 22-9-8  
 0-10-8 10-11-8 10-11-8 0-10-8

5x5 =

Scale = 1:61.4



<b>LOADING</b> (psf)	<b>SPACING-</b>	2-0-0	<b>CSI.</b>	<b>DEFL.</b>	in (loc)	l/defl	L/d	<b>PLATES</b>	<b>GRIP</b>
TCLL 20.0	Plate Grip DOL	1.15	TC 0.03	Vert(LL)	-0.00	14	n/r	MT20	244/190
TCDL 10.0	Lumber DOL	1.15	BC 0.02	Vert(CT)	0.00	14	n/r		
BCLL 0.0 *	Rep Stress Incr	YES	WB 0.13	Horz(CT)	0.00	14	n/a		
BCDL 10.0	Code IRC2015/TPI2014		Matrix-S					Weight: 195 lb	FT = 20%

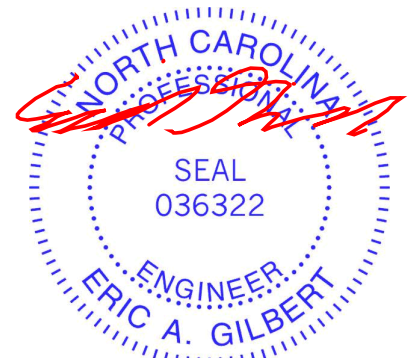
**LUMBER-**  
 TOP CHORD 2x6 SP No.1  
 BOT CHORD 2x6 SP No.1  
 OTHERS 2x4 SP No.2

**BRACING-**  
 TOP CHORD Structural wood sheathing directly applied or 6-0-0 oc purlins.  
 BOT CHORD Rigid ceiling directly applied or 10-0-0 oc bracing.  
 WEBS 1 Row at midpt 8-21

**REACTIONS.** All bearings 21-11-0.  
 (lb) - Max Horz 2=249(LC 11)  
 Max Uplift All uplift 100 lb or less at joint(s) 2, 14, 22, 24, 25, 26, 27, 20, 19, 18, 17, 16  
 Max Grav All reactions 250 lb or less at joint(s) 2, 14, 21, 22, 24, 25, 26, 27, 20, 19, 18, 17, 16

**FORCES.** (lb) - Max. Comp./Max. Ten. - All forces 250 (lb) or less except when shown.  
 TOP CHORD 2-3=-311/193, 13-14=-265/182

- NOTES-**
- Unbalanced roof live loads have been considered for this design.
  - Wind: ASCE 7-10; Vult=120mph Vasd=95mph; TCDL=6.0psf; BCDL=6.0psf; h=15ft; Cat. II; Exp C; Enclosed; MWFRS (envelope) gable end zone and C-C Exterior(2) zone; C-C for members and forces & MWFRS for reactions shown; Lumber DOL=1.60 plate grip DOL=1.60
  - Truss designed for wind loads in the plane of the truss only. For studs exposed to wind (normal to the face), see Standard Industry Gable End Details as applicable, or consult qualified building designer as per ANSI/TPI 1.
  - All plates are 2x4 MT20 unless otherwise indicated.
  - Gable requires continuous bottom chord bearing.
  - Gable studs spaced at 2-0-0 oc.
  - This truss has been designed for a 10.0 psf bottom chord live load nonconcurrent with any other live loads.
  - \* This truss has been designed for a live load of 30.0psf on the bottom chord in all areas where a rectangle 3-6-0 tall by 2-0-0 wide will fit between the bottom chord and any other members.
  - Provide mechanical connection (by others) of truss to bearing plate capable of withstanding 100 lb uplift at joint(s) 2, 14, 22, 24, 25, 26, 27, 20, 19, 18, 17, 16.



June 23, 2023

**WARNING - Verify design parameters and READ NOTES ON THIS AND INCLUDED MITEK REFERENCE PAGE MII-7473 rev. 1/2/2023 BEFORE USE.**  
 Design valid for use only with MiTek® connectors. This design is based only upon parameters shown, and is for an individual building component, not a truss system. Before use, the building designer must verify the applicability of design parameters and properly incorporate this design into the overall building design. Bracing indicated is to prevent buckling of individual truss web and/or chord members only. Additional temporary and permanent bracing is always required for stability and to prevent collapse with possible personal injury and property damage. For general guidance regarding the fabrication, storage, delivery, erection and bracing of trusses and truss systems, see **ANSI/TPI Quality Criteria and DSB-22** available from Truss Plate Institute (www.tpinst.org) and **BCSI Building Component Safety Information** available from the Structural Building Component Association (www.sbccomponents.com)



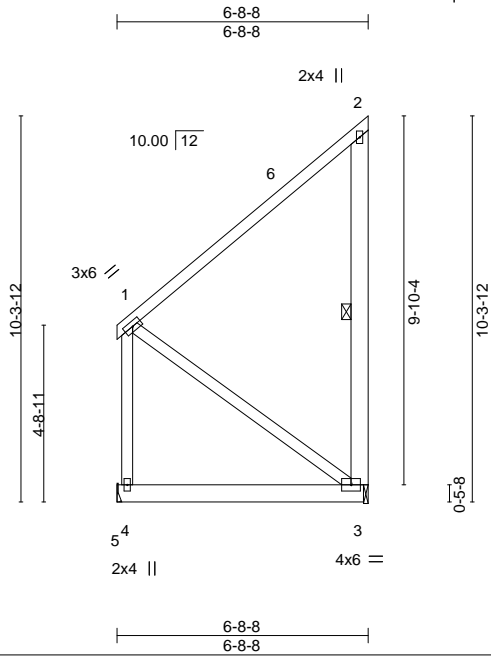
818 Soundside Road  
 Edenton, NC 27932

Job J1023-6082	Truss J07	Truss Type Jack-Closed	Qty 6	Ply 1	Lot A Hobby Rd I59138464
-------------------	--------------	---------------------------	----------	----------	-----------------------------

Comtech, Inc. Fayetteville, NC - 28314,

8.430 s Jan 6 2022 MiTek Industries, Inc. Thu Jun 22 18:11:57 2023 Page 1

ID:wAaOiCu?enbzDlvzeiq6d3zFzeT-RfC?PsB70Hq3NSgPqnL8w3uITXbGKWrCDoi7J4zJC?f



Scale = 1:61.5

LOADING (psf)	SPACING-	CSI.	DEFL.	in (loc)	l/defl	L/d	PLATES	GRIP
TCLL 20.0	2-0-0 Plate Grip DOL 1.15	TC 0.59	Vert(LL) -0.02	3-4	>999	360	MT20	244/190
BCLL 10.0	Lumber DOL 1.15	BC 0.15	Vert(CT) -0.04	3-4	>999	240		
BCLL 0.0 *	Rep Stress Incr YES	WB 0.21	Horz(CT) -0.00	3	n/a	n/a		
BCDL 10.0	Code IRC2015/TPI2014	Matrix-P	Wind(LL) 0.00	4	****	240		
							Weight: 68 lb	FT = 20%

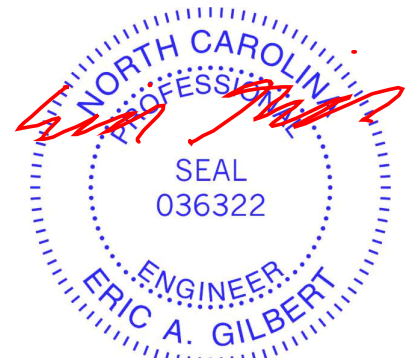
**LUMBER-**  
TOP CHORD 2x4 SP No.1  
BOT CHORD 2x6 SP No.1  
WEBS 2x4 SP No.2 \*Except\*  
2-3: 2x6 SP No.1

**BRACING-**  
TOP CHORD Structural wood sheathing directly applied or 6-0-0 oc purlins, except end verticals.  
BOT CHORD Rigid ceiling directly applied or 10-0-0 oc bracing.  
WEBS 1 Row at midpt 2-3

**REACTIONS.** (size) 4=Mechanical, 3=0-1-8  
Max Horz 4=144(LC 12)  
Max Uplift 3=-176(LC 12)  
Max Grav 4=257(LC 21), 3=302(LC 19)

**FORCES.** (lb) - Max. Comp./Max. Ten. - All forces 250 (lb) or less except when shown.  
WEBS 1-3=-217/275

- NOTES-**
- 1) Wind: ASCE 7-10; Vult=120mph Vasd=95mph; TCDL=6.0psf; BCDL=6.0psf; h=15ft; Cat. II; Exp C; Enclosed; MWFRS (envelope) and C-C Exterior(2) 0-3-4 to 4-8-1, Interior(1) 4-8-1 to 6-5-12 zone; C-C for members and forces & MWFRS for reactions shown; Lumber DOL=1.60 plate grip DOL=1.60
  - 2) This truss has been designed for a 10.0 psf bottom chord live load nonconcurrent with any other live loads.
  - 3) \* This truss has been designed for a live load of 30.0psf on the bottom chord in all areas where a rectangle 3-6-0 tall by 2-0-0 wide will fit between the bottom chord and any other members.
  - 4) Refer to girder(s) for truss to truss connections.
  - 5) Bearing at joint(s) 3 considers parallel to grain value using ANSI/TPI 1 angle to grain formula. Building designer should verify capacity of bearing surface.
  - 6) Provide mechanical connection (by others) of truss to bearing plate at joint(s) 3.
  - 7) Provide mechanical connection (by others) of truss to bearing plate capable of withstanding 100 lb uplift at joint(s) except (jt=lb) 3=176.



June 23, 2023

**WARNING - Verify design parameters and READ NOTES ON THIS AND INCLUDED MITEK REFERENCE PAGE MII-7473 rev. 1/2/2023 BEFORE USE.**  
Design valid for use only with MiTek® connectors. This design is based only upon parameters shown, and is for an individual building component, not a truss system. Before use, the building designer must verify the applicability of design parameters and properly incorporate this design into the overall building design. Bracing indicated is to prevent buckling of individual truss web and/or chord members only. Additional temporary and permanent bracing is always required for stability and to prevent collapse with possible personal injury and property damage. For general guidance regarding the fabrication, storage, delivery, erection and bracing of trusses and truss systems, see **ANSI/TPI1 Quality Criteria and DSB-22** available from Truss Plate Institute (www.tpinst.org) and **BCSI Building Component Safety Information** available from the Structural Building Component Association (www.sbcacomponents.com)



818 Soundside Road  
Edenton, NC 27932

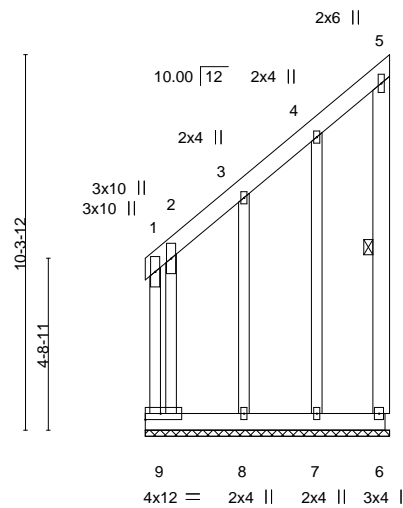
Job J1023-6082	Truss J07GE	Truss Type GABLE	Qty 1	Ply 1	Lot A Hobby Rd Job Reference (optional)	I59138465
-------------------	----------------	---------------------	----------	----------	--	-----------

Comtech, Inc. Fayetteville, NC - 28314,

8.430 s Jan 6 2022 MiTek Industries, Inc. Thu Jun 22 18:11:59 2023 Page 1

ID:wAaOiCu?enbZDlvzeiq6d3zFzeT-RfC?PsB70Hq3NSgPqnL8w3uITXbGKWrCDoi7J4zJC?f  
6-8-8  
6-8-8

Scale = 1:63.3



LOADING (psf)	SPACING-	2-0-0	CSI.	DEFL.	in (loc)	l/defl	L/d	PLATES	GRIP
TCLL 20.0	Plate Grip DOL	1.15	TC 0.52	Vert(LL)	n/a	-	n/a	MT20	244/190
TCDL 10.0	Lumber DOL	1.15	BC 0.08	Vert(CT)	n/a	-	n/a		
BCLL 0.0 *	Rep Stress Incr	YES	WB 0.56	Horz(CT)	-0.00	6	n/a		
BCDL 10.0	Code IRC2015/TPI2014		Matrix-R					Weight: 91 lb	FT = 20%

**LUMBER-**

TOP CHORD 2x6 SP No.1  
 BOT CHORD 2x6 SP No.1  
 WEBS 2x4 SP No.2 \*Except\*  
 5-6: 2x6 SP No.1  
 OTHERS 2x4 SP No.2

**BRACING-**

TOP CHORD Structural wood sheathing directly applied or 6-0-0 oc purlins, except end verticals.  
 BOT CHORD Rigid ceiling directly applied or 10-0-0 oc bracing.  
 WEBS 1 Row at midpt 5-6

**REACTIONS.**

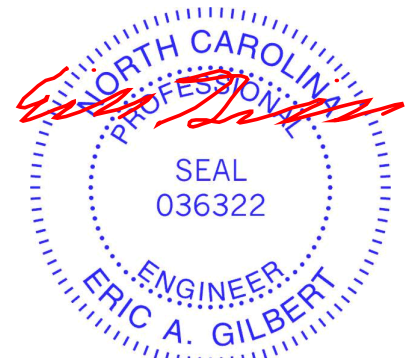
All bearings 6-8-8.  
 (lb) - Max Horz 9=206(LC 12)  
 Max Uplift All uplift 100 lb or less at joint(s) except 9=-141(LC 10), 6=-191(LC 12), 8=-655(LC 12)  
 Max Grav All reactions 250 lb or less at joint(s) 6, 7 except 9=532(LC 12), 8=361(LC 19)

**FORCES.** (lb) - Max. Comp./Max. Ten. - All forces 250 (lb) or less except when shown.

TOP CHORD 1-9=-885/1101, 1-2=-503/629, 2-3=-445/362  
 WEBS 3-8=-542/598, 2-9=-1570/1220

**NOTES-**

- 1) Wind: ASCE 7-10; Vult=120mph Vasd=95mph; TCDL=6.0psf; BCDL=6.0psf; h=15ft; Cat. II; Exp C; Enclosed; MWFRS (envelope) gable end zone and C-C Exterior(2) zone; C-C for members and forces & MWFRS for reactions shown; Lumber DOL=1.60 plate grip DOL=1.60
- 2) Truss designed for wind loads in the plane of the truss only. For studs exposed to wind (normal to the face), see Standard Industry Gable End Details as applicable, or consult qualified building designer as per ANSI/TPI 1.
- 3) Gable requires continuous bottom chord bearing.
- 4) Truss to be fully sheathed from one face or securely braced against lateral movement (i.e. diagonal web).
- 5) Gable studs spaced at 2-0-0 oc.
- 6) This truss has been designed for a 10.0 psf bottom chord live load nonconcurrent with any other live loads.
- 7) \* This truss has been designed for a live load of 30.0psf on the bottom chord in all areas where a rectangle 3-6-0 tall by 2-0-0 wide will fit between the bottom chord and any other members.
- 8) Provide mechanical connection (by others) of truss to bearing plate capable of withstanding 141 lb uplift at joint 9, 191 lb uplift at joint 6 and 655 lb uplift at joint 8.



June 23, 2023

**WARNING - Verify design parameters and READ NOTES ON THIS AND INCLUDED MITEK REFERENCE PAGE MII-7473 rev. 1/2/2023 BEFORE USE.**

Design valid for use only with MiTek® connectors. This design is based only upon parameters shown, and is for an individual building component, not a truss system. Before use, the building designer must verify the applicability of design parameters and properly incorporate this design into the overall building design. Bracing indicated is to prevent buckling of individual truss web and/or chord members only. Additional temporary and permanent bracing is always required for stability and to prevent collapse with possible personal injury and property damage. For general guidance regarding the fabrication, storage, delivery, erection and bracing of trusses and truss systems, see **ANSI/TPI1 Quality Criteria and DSB-22** available from Truss Plate Institute (www.tpinst.org) and **BCSI Building Component Safety Information** available from the Structural Building Component Association (www.sbcacomponents.com)



818 Soundside Road  
 Edenton, NC 27932



Job J1023-6082	Truss M01SG	Truss Type GABLE	Qty 1	Ply 1	Lot A Hobby Rd Job Reference (optional)	I59138467
-------------------	----------------	---------------------	----------	----------	--	-----------

Comtech, Inc. Fayetteville, NC - 28314,

8.430 s Jan 6 2022 MiTek Industries, Inc. Thu Jun 22 18:12:01 2023 Page 1  
ID:wAaOiCu?enbzdIvzeiq6d3zFzeT-RfC?PsB70Hq3NSgPqnL8w3uITXbGKWrcDoi7J4zJC?f



Scale = 1:21.4

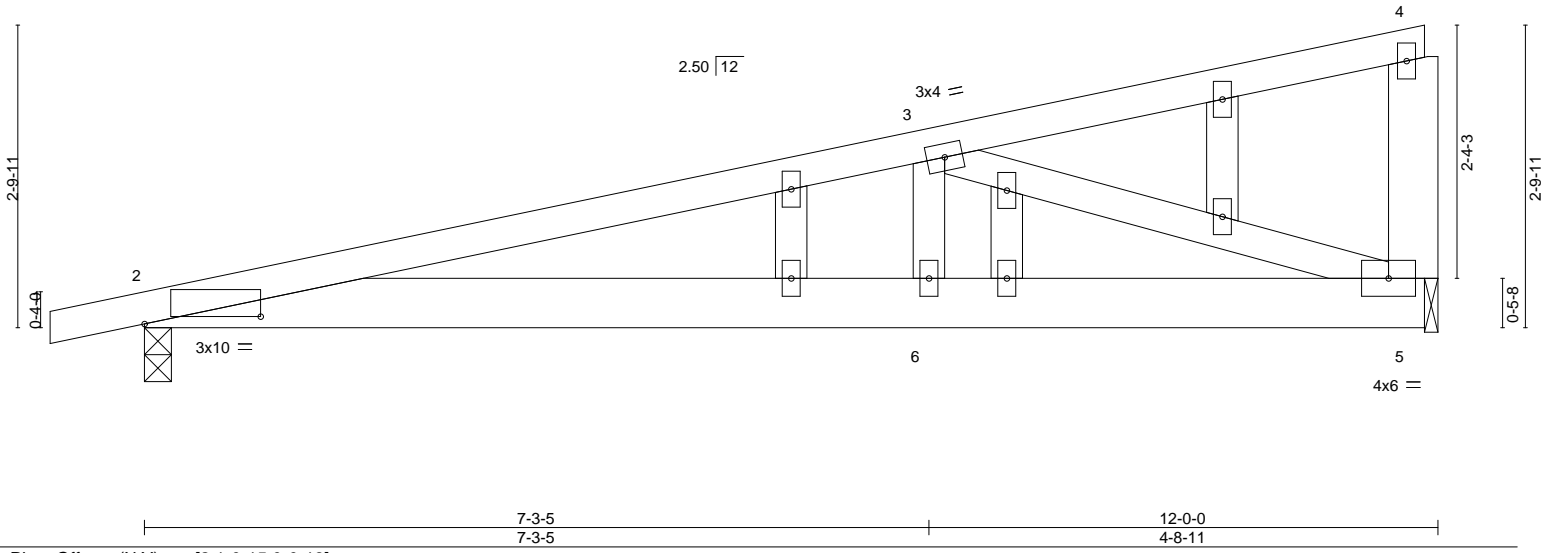


Plate Offsets (X,Y)--	[2:1-0-15,0-0-13]									
<b>LOADING</b> (psf)	<b>SPACING-</b>	2-0-0	<b>CSI.</b>	<b>DEFL.</b>	in	(loc)	l/defl	L/d	<b>PLATES</b>	<b>GRIP</b>
TCLL 20.0	Plate Grip DOL	1.15	TC 0.39	Vert(LL)	0.09	2-6	>999	240	MT20	244/190
TCDL 10.0	Lumber DOL	1.15	BC 0.29	Vert(CT)	-0.09	2-6	>999	240		
BCLL 0.0 *	Rep Stress Incr	YES	WB 0.39	Horz(CT)	0.01	5	n/a	n/a		
BCDL 10.0	Code IRC2015/TP12014		Matrix-S						Weight: 64 lb	FT = 20%

**LUMBER-**  
TOP CHORD 2x4 SP No.1  
BOT CHORD 2x6 SP No.1  
WEBS 2x4 SP No.2 \*Except\*  
4-5: 2x6 SP No.1  
OTHERS 2x4 SP No.2

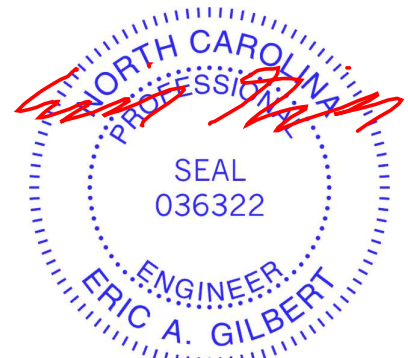
**BRACING-**  
TOP CHORD Structural wood sheathing directly applied or 5-3-1 oc purlins, except end verticals.  
BOT CHORD Rigid ceiling directly applied or 7-4-1 oc bracing.

**REACTIONS.** (size) 2=0-3-0, 5=0-1-8  
Max Horz 2=108(LC 8)  
Max Uplift 2=-236(LC 8), 5=-211(LC 8)  
Max Grav 2=528(LC 1), 5=463(LC 1)

**FORCES.** (lb) - Max. Comp./Max. Ten. - All forces 250 (lb) or less except when shown.  
TOP CHORD 2-3=-1094/974  
BOT CHORD 2-6=-1029/1030, 5-6=-1029/1030  
WEBS 3-6=-277/272, 3-5=-1056/1056

**NOTES-**

- 1) Wind: ASCE 7-10; Vult=120mph Vasd=95mph; TCDL=6.0psf; BCDL=6.0psf; h=15ft; Cat. II; Exp C; Enclosed; MWFRS (envelope) gable end zone and C-C Exterior(2) zone; porch left and right exposed; C-C for members and forces & MWFRS for reactions shown; Lumber DOL=1.60 plate grip DOL=1.60
- 2) Truss designed for wind loads in the plane of the truss only. For studs exposed to wind (normal to the face), see Standard Industry Gable End Details as applicable, or consult qualified building designer as per ANSI/TPI 1.
- 3) All plates are 2x4 MT20 unless otherwise indicated.
- 4) Gable studs spaced at 2-0-0 oc.
- 5) This truss has been designed for a 10.0 psf bottom chord live load nonconcurrent with any other live loads.
- 6) \* This truss has been designed for a live load of 30.0psf on the bottom chord in all areas where a rectangle 3-6-0 tall by 2-0-0 wide will fit between the bottom chord and any other members.
- 7) Bearing at joint(s) 5 considers parallel to grain value using ANSI/TPI 1 angle to grain formula. Building designer should verify capacity of bearing surface.
- 8) Provide mechanical connection (by others) of truss to bearing plate at joint(s) 5.
- 9) Provide mechanical connection (by others) of truss to bearing plate capable of withstanding 236 lb uplift at joint 2 and 211 lb uplift at joint 5.



June 23, 2023

**WARNING - Verify design parameters and READ NOTES ON THIS AND INCLUDED MITEK REFERENCE PAGE MII-7473 rev. 1/2/2023 BEFORE USE.**

Design valid for use only with MiTek® connectors. This design is based only upon parameters shown, and is for an individual building component, not a truss system. Before use, the building designer must verify the applicability of design parameters and properly incorporate this design into the overall building design. Bracing indicated is to prevent buckling of individual truss web and/or chord members only. Additional temporary and permanent bracing is always required for stability and to prevent collapse with possible personal injury and property damage. For general guidance regarding the fabrication, storage, delivery, erection and bracing of trusses and truss systems, see **ANSI/TPI1 Quality Criteria and DSB-22** available from Truss Plate Institute (www.tpinst.org) and **BCSI Building Component Safety Information** available from the Structural Building Component Association (www.sbcacomponents.com)



818 Soundside Road  
Edenton, NC 27932

Job J1023-6082	Truss PB01	Truss Type PIGGYBACK	Qty 8	Ply 1	Lot A Hobby Rd I59138468
-------------------	---------------	-------------------------	----------	----------	-----------------------------

Comtech, Inc. Fayetteville, NC - 28314,

8.430 s Jan 6 2022 MiTek Industries, Inc. Thu Jun 22 18:12:02 2023 Page 1

ID:wAaOiCu?enbzDlvzeiq6d3zFzeT-RfC?PsB70Hq3NSgPqnL8w3uITXbGKWrCDoi7J4zJC?f

Job Reference (optional)

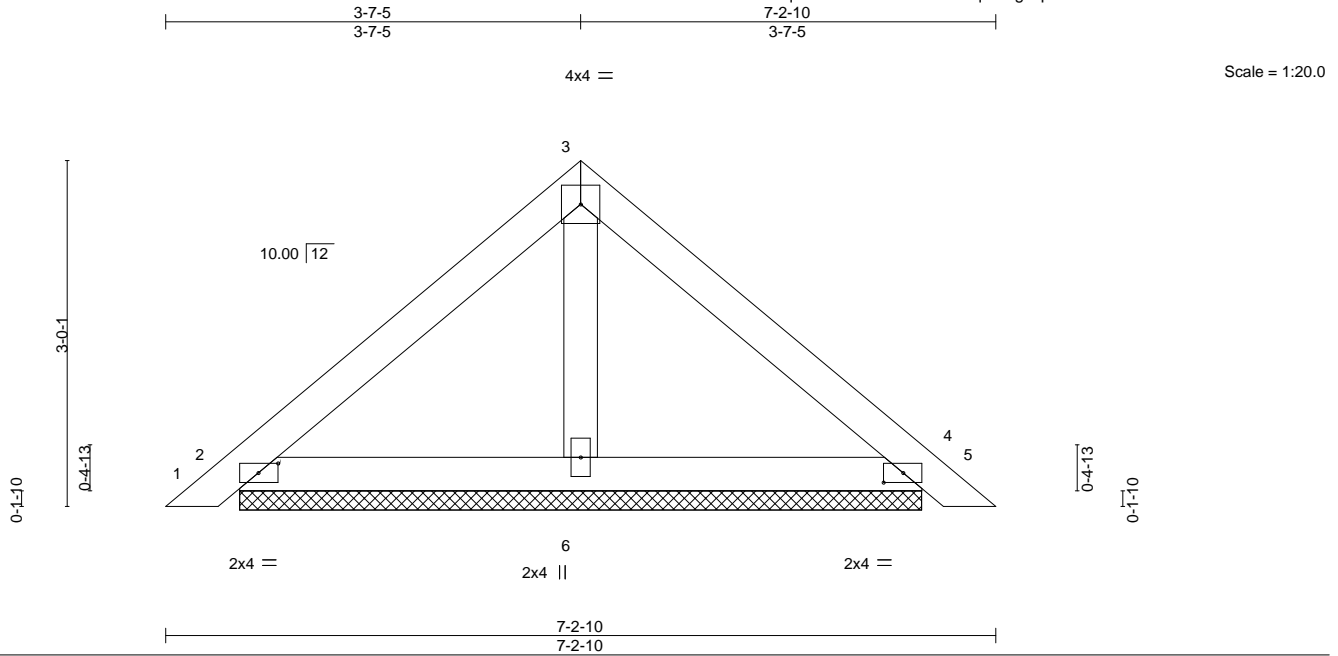


Plate Offsets (X,Y)--	[2:0-2-1,0-1-0], [4:0-2-1,0-1-0]
-----------------------	----------------------------------

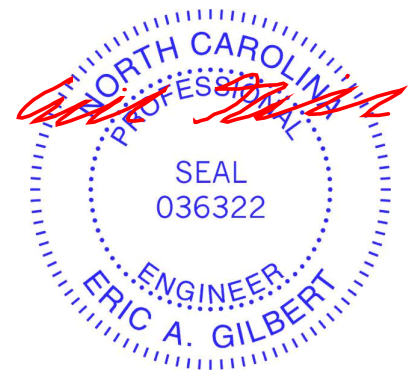
LOADING (psf)	SPACING-	CSI.	DEFL.	PLATES	GRIP
TCLL 20.0	2-0-0	TC 0.12	in (loc) l/defl L/d	MT20	244/190
TCDL 10.0	Plate Grip DOL 1.15	BC 0.07	Vert(LL) 0.00 5 n/r 120		
BCLL 0.0 *	Lumber DOL 1.15	WB 0.02	Vert(CT) 0.01 5 n/r 120		
BCDL 10.0	Rep Stress Incr YES	Matrix-P	Horz(CT) 0.00 4 n/a n/a		
	Code IRC2015/TPI2014			Weight: 26 lb	FT = 20%

LUMBER-	BRACING-
TOP CHORD 2x4 SP No.1	TOP CHORD Structural wood sheathing directly applied or 6-0-0 oc purlins.
BOT CHORD 2x4 SP No.1	BOT CHORD Rigid ceiling directly applied or 10-0-0 oc bracing.
OTHERS 2x4 SP No.2	

**REACTIONS.** (size) 2=5-11-3, 4=5-11-3, 6=5-11-3  
 Max Horz 2=58(LC 11)  
 Max Uplift 2=-17(LC 12), 4=-23(LC 13)  
 Max Grav 2=164(LC 1), 4=164(LC 1), 6=196(LC 1)

**FORCES.** (lb) - Max. Comp./Max. Ten. - All forces 250 (lb) or less except when shown.

- NOTES-**
- 1) Unbalanced roof live loads have been considered for this design.
  - 2) Wind: ASCE 7-10; Vult=120mph Vasd=95mph; TCDL=6.0psf; BCDL=6.0psf; h=15ft; Cat. II; Exp C; Enclosed; MWFRS (envelope) and C-C Exterior(2) zone; C-C for members and forces & MWFRS for reactions shown; Lumber DOL=1.60 plate grip DOL=1.60
  - 3) This truss has been designed for a 10.0 psf bottom chord live load nonconcurrent with any other live loads.
  - 4) \* This truss has been designed for a live load of 30.0psf on the bottom chord in all areas where a rectangle 3-6-0 tall by 2-0-0 wide will fit between the bottom chord and any other members.
  - 5) Provide mechanical connection (by others) of truss to bearing plate capable of withstanding 17 lb uplift at joint 2 and 23 lb uplift at joint 4.
  - 6) Non Standard bearing condition. Review required.
  - 7) See Standard Industry Piggyback Truss Connection Detail for Connection to base truss as applicable, or consult qualified building designer.



June 23, 2023

Job	Truss	Truss Type	Qty	Ply	Lot A Hobby Rd	159138469
J1023-6082	PB01GE	GABLE	1	1	Job Reference (optional)	

Comtech, Inc. Fayetteville, NC - 28314,

8.430 s Jan 6 2022 MiTek Industries, Inc. Thu Jun 22 18:12:03 2023 Page 1  
 ID:wAaOiCu?enbzDlvzeiq6d3zFzeT-RfC?PsB70Hq3NSgPqnL8w3uITXbGKWrCDoi7J4zJC?f

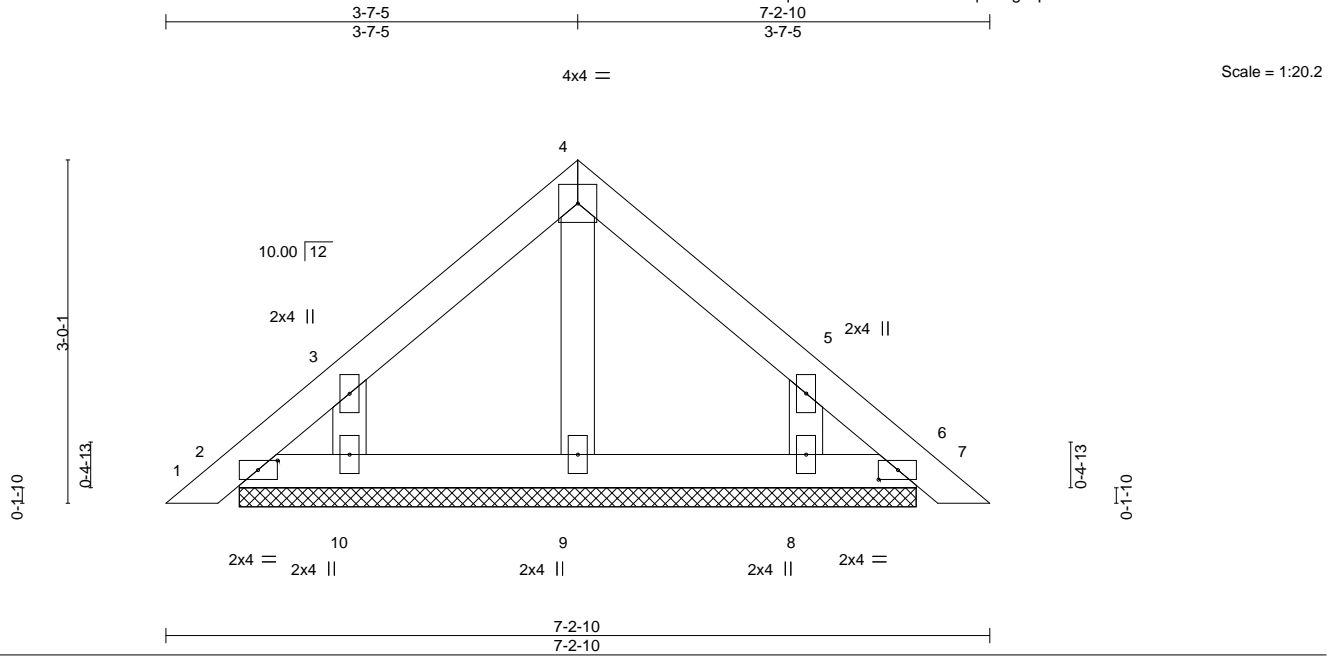


Plate Offsets (X,Y)--	[2:0-2-1,0-1-0], [5:0-0-0,0-0-0], [6:0-2-1,0-1-0]
-----------------------	---

LOADING (psf)	SPACING-	CSI.	DEFL.	PLATES	GRIP
TCLL 20.0	2-0-0	TC 0.03	in (loc) l/defl L/d	MT20	244/190
TCDL 10.0	Plate Grip DOL 1.15	BC 0.02	Vert(LL) -0.00 6 n/r 120		
BCLL 0.0 *	Lumber DOL 1.15	WB 0.02	Vert(CT) -0.00 6 n/r 120		
BCDL 10.0	Rep Stress Incr YES	Matrix-P	Horz(CT) 0.00 6 n/a n/a		
	Code IRC2015/TPI2014			Weight: 28 lb	FT = 20%

LUMBER-	BRACING-
TOP CHORD 2x4 SP No.1	TOP CHORD Structural wood sheathing directly applied or 6-0-0 oc purlins.
BOT CHORD 2x4 SP No.1	BOT CHORD Rigid ceiling directly applied or 10-0-0 oc bracing.
OTHERS 2x4 SP No.2	

**REACTIONS.** All bearings 5-11-3.  
 (lb) - Max Horz 2=72(LC 11)  
 Max Uplift All uplift 100 lb or less at joint(s) 2, 6, 10, 8  
 Max Grav All reactions 250 lb or less at joint(s) 2, 6, 9, 10, 8

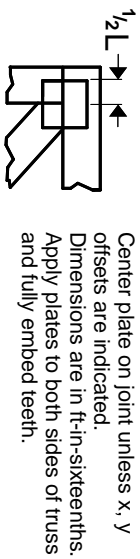
**FORCES.** (lb) - Max. Comp./Max. Ten. - All forces 250 (lb) or less except when shown.

- NOTES-**
- Unbalanced roof live loads have been considered for this design.
  - Wind: ASCE 7-10; Vult=120mph Vasd=95mph; TCDL=6.0psf; BCDL=6.0psf; h=15ft; Cat. II; Exp C; Enclosed; MWFRS (envelope) gable end zone and C-C Exterior(2) zone; C-C for members and forces & MWFRS for reactions shown; Lumber DOL=1.60 plate grip DOL=1.60
  - Truss designed for wind loads in the plane of the truss only. For studs exposed to wind (normal to the face), see Standard Industry Gable End Details as applicable, or consult qualified building designer as per ANSI/TPI 1.
  - Gable studs spaced at 2-0-0 oc.
  - This truss has been designed for a 10.0 psf bottom chord live load nonconcurrent with any other live loads.
  - \* This truss has been designed for a live load of 30.0psf on the bottom chord in all areas where a rectangle 3-6-0 tall by 2-0-0 wide will fit between the bottom chord and any other members.
  - Provide mechanical connection (by others) of truss to bearing plate capable of withstanding 100 lb uplift at joint(s) 2, 6, 10, 8.
  - Non Standard bearing condition. Review required.
  - See Standard Industry Piggyback Truss Connection Detail for Connection to base truss as applicable, or consult qualified building designer.

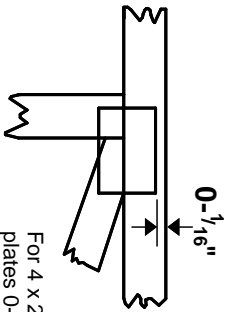


# Symbols

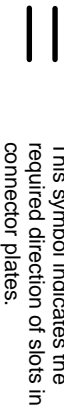
## PLATE LOCATION AND ORIENTATION



Center plate on joint unless x, y offsets are indicated. Dimensions are in ft-in-sixteenths. Apply plates to both sides of truss and fully embed teeth.



For 4 x 2 orientation, locate plates 0- 1/16\" from outside edge of truss.



This symbol indicates the required direction of slots in connector plates.

\* Plate location details available in MITek software or upon request.

## PLATE SIZE

4 X 4

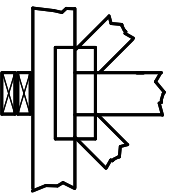
The first dimension is the plate width measured perpendicular to slots. Second dimension is the length parallel to slots.

## LATERAL BRACING LOCATION



Indicated by symbol shown and/or by text in the bracing section of the output. Use T or I bracing if indicated.

## BEARING



Indicates location where bearings (supports) occur. Icons vary but reaction section indicates joint number/letter where bearings occur. Min size shown is for crushing only.

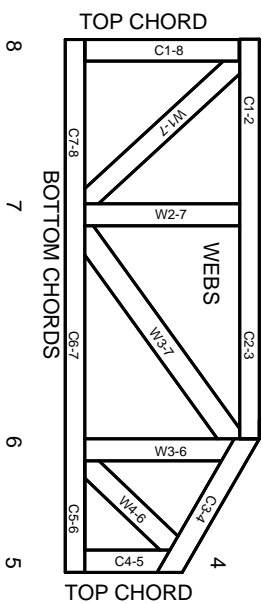
## Industry Standards:

ANSI/TP1: National Design Specification for Metal Plate Connected Wood Truss Construction.  
DSB-22: Design Standard for Bracing.  
BCSI: Building Component Safety Information, Guide to Good Practice for Handling, Installing, Restraining & Bracing of Metal Plate Connected Wood Trusses.

# Numbering System



1 TOP CHORDS  
2 JOINT ID TYP.



JOINTS ARE GENERALLY NUMBERED/LETTERED CLOCKWISE AROUND THE TRUSS STARTING AT THE JOINT FARTHEST TO THE LEFT.

CHORDS AND WEBS ARE IDENTIFIED BY END JOINT NUMBERS/LETTERS.

# Product Code Approvals

ICC-ES Reports:

ESR-1988, ESR-2362, ESR-2685, ESR-3282  
ESR-4722, ESL-1388

# Design General Notes

Trusses are designed for wind loads in the plane of the truss unless otherwise shown.

Lumber design values are in accordance with ANSI/TP1 section 6.3. These truss designs rely on lumber values established by others.

© 2023 MITek® All Rights Reserved

**MITek**

ENGINEERING BY  
**TRENGO**  
A MITek Affiliate

MITek Engineering Reference Sheet: MIL-7473 rev. 1/2/2023

# General Safety Notes

## Failure to Follow Could Cause Property Damage or Personal Injury

1. Additional stability/bracing for truss system, e.g. diagonal or X-bracing, is always required. See BCSI.
2. Truss bracing must be designed by an engineer. For wide truss spacing, individual lateral braces themselves may require bracing, or alternative Tor I bracing should be considered.
3. Never exceed the design loading shown and never stack materials on inadequately braced trusses.
4. Provide copies of this truss design to the building designer, erection supervisor, property owner and all other interested parties.
5. Cut members to bear tightly against each other.
6. Place plates on each face of truss at each joint and embed fully. Knots and wane at joint locations are regulated by ANSI/TP1 1.
7. Design assumes trusses will be suitably protected from the environment in accord with ANSI/TP1 1.
8. Unless otherwise noted, moisture content of lumber shall not exceed 19% at time of fabrication.
9. Unless expressly noted, this design is not applicable for use with fire retardant, preservative treated, or green lumber.
10. Camber is a non-structural consideration and is the responsibility of truss fabricator. General practice is to camber for dead load deflection.
11. Plate type, size, orientation and location dimensions indicated are minimum plating requirements.
12. Lumber used shall be of the species and size, and in all respects, equal to or better than that specified.
13. Top chords must be sheathed or purlins provided at spacing indicated on design.
14. Bottom chords require lateral bracing at 10 ft. spacing, or less, if no ceiling is installed, unless otherwise noted.
15. Connections not shown are the responsibility of others.
16. Do not cut or alter truss member or plate without prior approval of an engineer.
17. Install and load vertically unless indicated otherwise.
18. Use of green or treated lumber may pose unacceptable environmental, health or performance risks. Consult with project engineer before use.
19. Review all portions of this design (front, back, words and pictures) before use. Reviewing pictures alone is not sufficient.
20. Design assumes manufacture in accordance with ANSI/TP1 1 Quality Criteria.
21. The design does not take into account any dynamic or other loads other than those expressly stated.