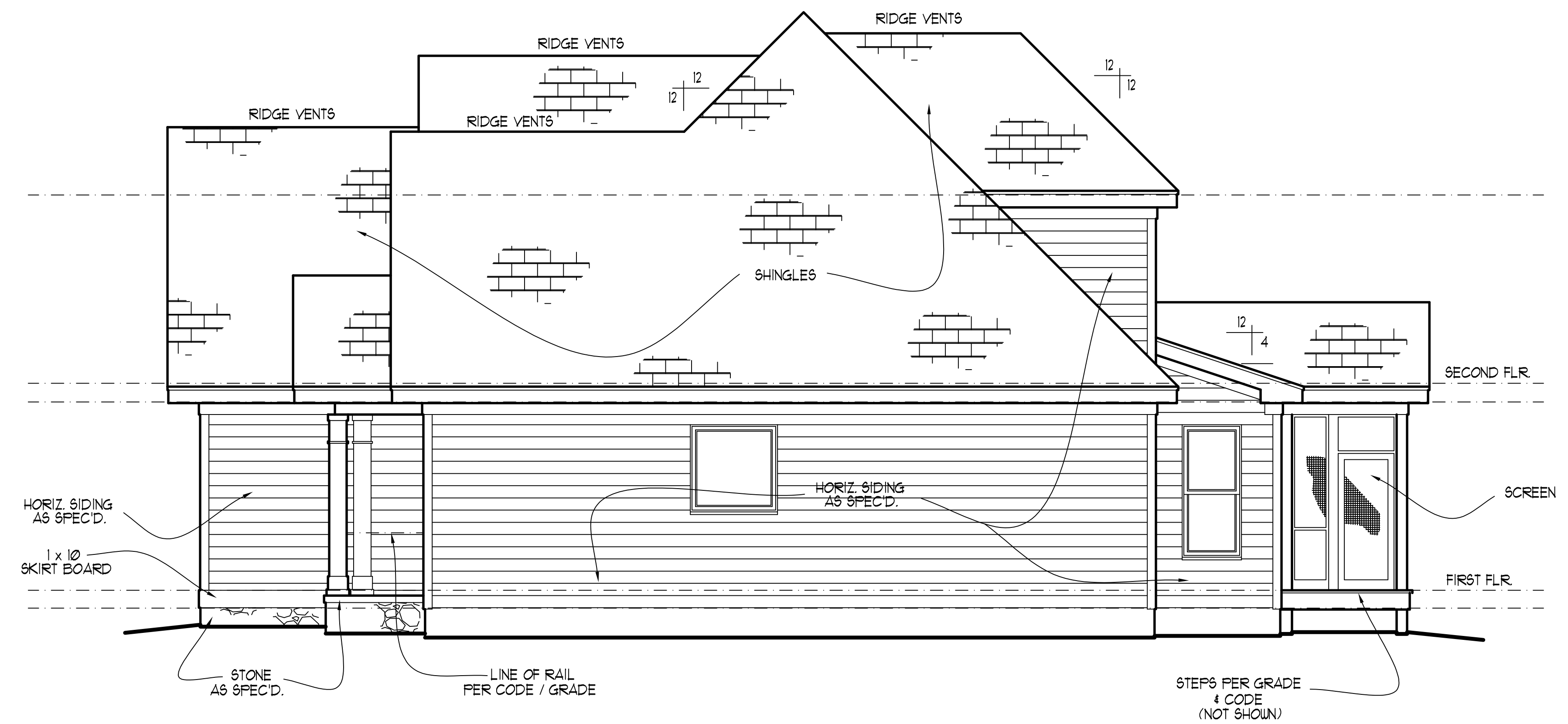
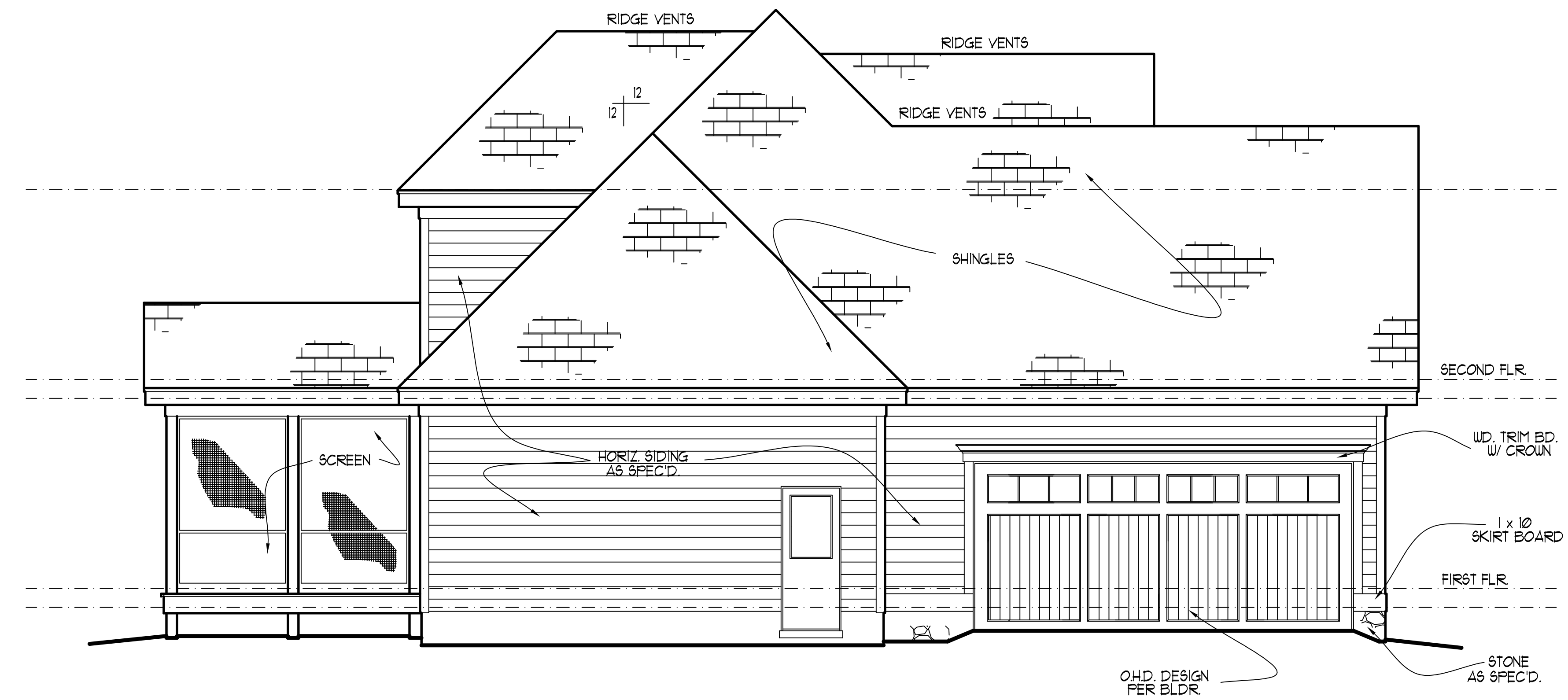


NOTE!!
 MURPHY GARNOW DESIGN GROUP, INC. HEREBY EXPRESSLY RESERVES ITS COPYRIGHT AND OTHER PROPERTY RIGHTS TO THESE PLANS. THESE PLANS ARE TO BE USED FOR THE CONSTRUCTION OF (ONE) RESIDENCE ONLY. ANY OTHER USE, CHANGE AND/OR REPRODUCTION IN ANY FORM WILL RENDER THESE PLANS FRAUDULENT.

ALL DIMENSIONS, SITE CONDITIONS & CODES ARE TO BE VERIFIED BEFORE CONSTR. BEGINS. ONCE CONSTR. HAS BEGUN MURPHY GARNOW DESIGN GROUP, INC. WILL NOT ASSUME ANY LIABILITY FOR ANY EXPENSES ASSOCIATED WITH ERRORS & OMISSIONS.



RIGHT ELEVATION
 SCALE: -----1/4" = 1'-0"



LEFT ELEVATION
 SCALE: -----1/4" = 1'-0"

MURPHY GARNOW DESIGN GROUP, INC.
 1140-500 KILPAKE FARM ROAD
 CARY, NORTH CAROLINA 27511
 (919) 481-9115 FAX: (919) 481-6970
 www.murphygarnowdesign.com

HALCYON HOMES
 COTTON FARM
 LOT #58

DRAWN BY: TUG
 DATE: 2-22-10
 FILE NAME: B1-2-2625

| REVISIONS | |
|-----------|-----------|
| 1-6-11 | TUG PLAN |
| 4-3-14 | TUG PLAN |
| 1-23-15 | TUG ELEV. |
| 2-4-15 | TUG ELEV. |
| 1-11-23 | TUG ELEV. |

© COPYRIGHT 2023 MURPHY GARNOW DESIGN GROUP, INC. ALL RIGHTS RESERVED

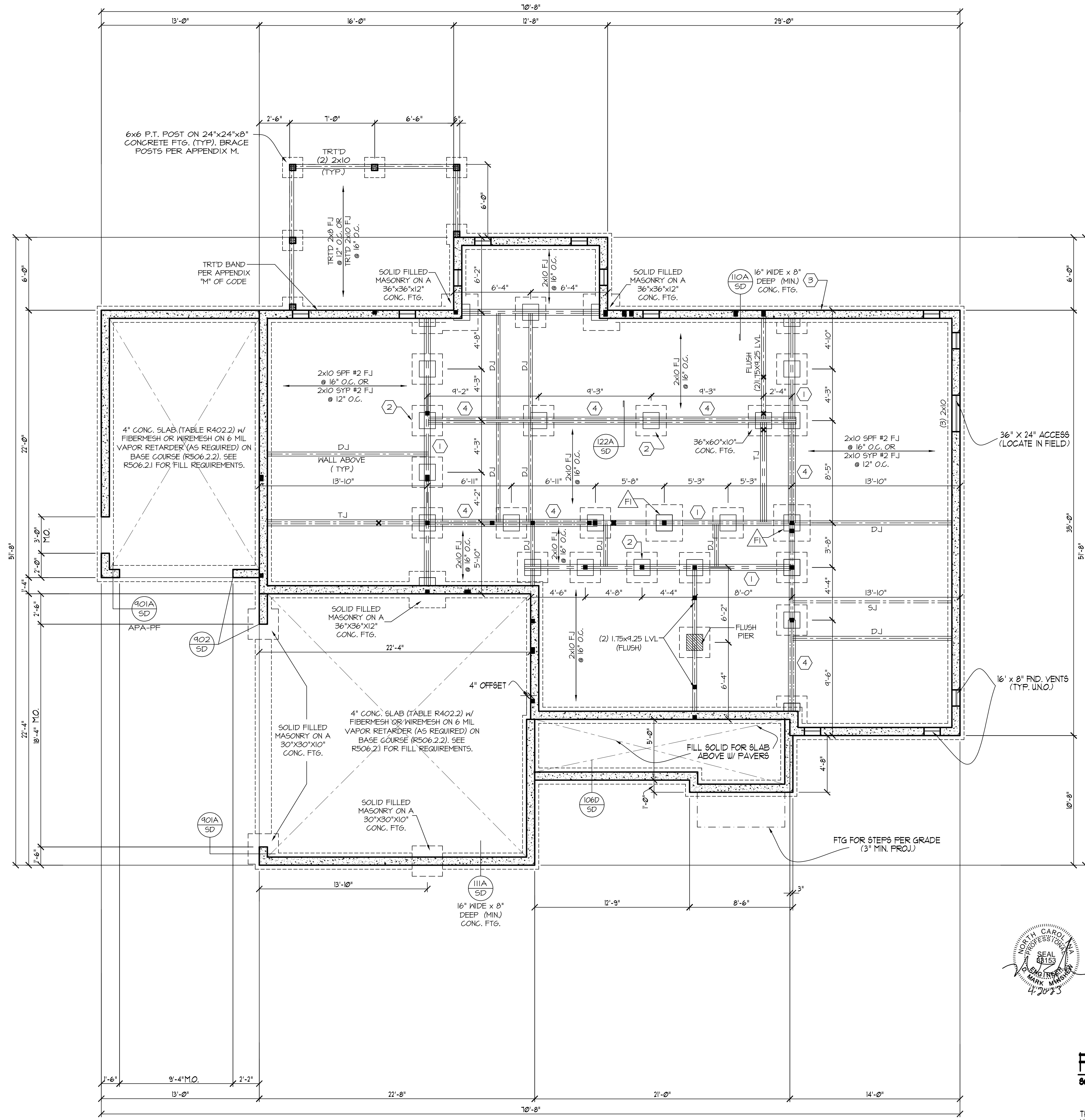
HOUSE NAME:

HOUSE NUMBER:

PAGE NUMBER:

2 OF 8

THESE PLANS MEET THE REQUIREMENTS OF THE INTERNATIONAL RESIDENTIAL CODE 2015 EDITION NORTH CAROLINA RESIDENTIAL CODE 2018 EDITION.



NOTE!!
 MURPHY GARNOW DESIGN GROUP, INC. HEREBY EXPRESSLY RESERVES ITS COPYRIGHT AND OTHER PROPERTY RIGHTS TO THESE PLANS. THESE PLANS ARE TO BE USED FOR THE CONSTRUCTION OF (ONE) RESIDENCE ONLY, ANY OTHER USE, CHANGE AND/OR REPRODUCTION IN ANY FORM WILL RENDER THESE PLANS FRAUDULENT.

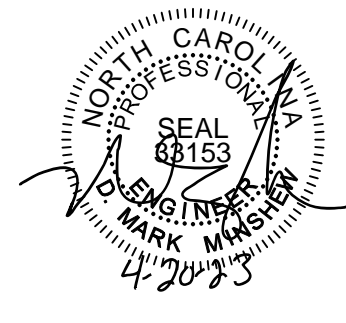
FND. VENTILATION
 1806 = 1204 sq. ft. REQUIRED;
 1500
 OR
 1800 = 1200 sq. ft. REQUIRED;
 1500
 WITH APPROVED VAPOR RETARDER MATERIAL AND OPENINGS PLACED FOR CROSS VENTILATION
 * ONE VENTILATION OPENING SHALL BE WITHIN 3 FEET OF EACH CORNER OF THE BUILDING

FOUNDATION STRUCTURAL NOTES
 NC (2018 NCRG); Wind: 115-120 mph - GRAVL

- (3) 2x10 SYP #2 OR SFF #2 GIRDER, TYPICAL UNO.
- CONCRETE BLOCK PIER SIZE SHALL BE:
 SIZE HOLLOW SOLID
 8x16 UP TO 32" UP TO 5'-0"
 12x16 UP TO 48" UP TO 9'-0"
 16x16 UP TO 64" UP TO 12'-0"
 24x24 UP TO 96"
 * WITH 30" x 30" x 10" CONCRETE FOOTINGS, UNO.
- WALL FOOTING AS FOLLOWS
 DEPTH: 8" - UP TO 2 STORY
 10" - 3 STORY
 WIDTH:
 SIDING: 16" - UP TO 2 STORY
 20" - 3 STORY
 BRICK: 16" - 1 STORY
 20" - 2 STORY
 24" - 3 STORY
 * FOR FOUNDATION WALL HEIGHT AND BACKFILL REQUIREMENTS, REFER TO CODE TABLE R404.11 (1 THRU 4) NOTE: ASSUMED SOIL BEARING CAPACITY = 2000 PSF. CONTRACTOR MUST VERIFY SITE CONDITIONS AND CONTACT SOILS ENGINEER IF MARGINAL OR UNSTABLE SOILS ARE ENCOUNTERED.
- (4) 2x10 SFF #2 OR SYP #2 GIRDER
- (2) 1.75x9.25 LVL OR LSL GIRDER
- (3) 1.75x9.25 LVL OR LSL GIRDER
- DESIGNATES A SIGNIFICANT POINT LOAD TO HAVE SOLID BLOCKING TO PIER. SOLID BLOCK ALL BEAM BEARING POINTS NOTED TO HAVE THREE OR MORE STUDS TO FND, TYPICAL.
- ABBREVIATIONS:
 "S.J." = SINGLE JOIST
 "D.J." = DOUBLE JOIST
 "T.J." = TRIPLE JOIST
- ADJUST SUBFLOOR THICKNESS OR JOIST SPACING AS REQ'D FOR FLOOR FINISH MATERIALS.

▲ 16"x16" SOLID FILLED MASONRY PIER ON A 36"x36"x12" CONG. FTG.

FRAMING NOTE: ALL DIMENSIONAL LUMBER ON THIS SHEET MAY BE SFF #2 OR SYP #2, UNLESS SPECIFICALLY NOTED OTHERWISE.



STRUCTURAL DESIGN BY:
 SOUTHERN ENGINEERS, P.A.
 3716 BENSON DRIVE RALEIGH, NC 27609
 LICENSE: C-4712, PHONE: 919-878-1611
 PROJECT #: 23-1268

- Engineers seal applies only to structural components on this document. Seal does not include construction means, methods, techniques, sequences, procedures or safety precautions.
- Any deviations or discrepancies on plans are to be brought to the immediate attention of Southern Engineers. Failure to do so will void Southern Engineer's liability.
- Seal is valid for a project permitted within one year from date of seal.
- Use of these plans constitutes approval of terms and conditions as defined in the customer agreement.

FOUNDATION PLAN
 SCALE: ----- 1/4"=1'-0"

THESE PLANS MEET THE REQUIREMENTS OF THE NORTH CAROLINA RESIDENTIAL CODE 2018 EDITION.

ALL DIMENSIONS, SITE CONDITIONS & CODES ARE TO BE VERIFIED BEFORE CONSTR. BEGINS. ONCE CONSTR. HAS BEGUN MURPHY GARNOW DESIGN GROUP, INC. WILL NOT ASSUME ANY LIABILITY FOR ANY EXPENSES ASSOCIATED WITH ERRORS & OMISSIONS.

MURPHY GARNOW DESIGN GROUP, INC.
 1140-500 KILPAKE FARM ROAD
 CARY, NORTH CAROLINA 27511
 (919) 481-9115 FAX: (919) 481-6970
 www.murphygarnowdesign.com

HALCYON HOMES
 COTTON FARM
 LOT #58

DRAWN BY: TUG
DATE: 2-22-10
FILE NAME: B51-2-2625

| REVISIONS | |
|-----------|-----------|
| 1-6-11 | TUG PLAN |
| 4-3-14 | TUG PLAN |
| 1-23-15 | TUG ELEV. |
| 2-4-15 | TUG ELEV. |
| 1-11-23 | TUG ELEV. |

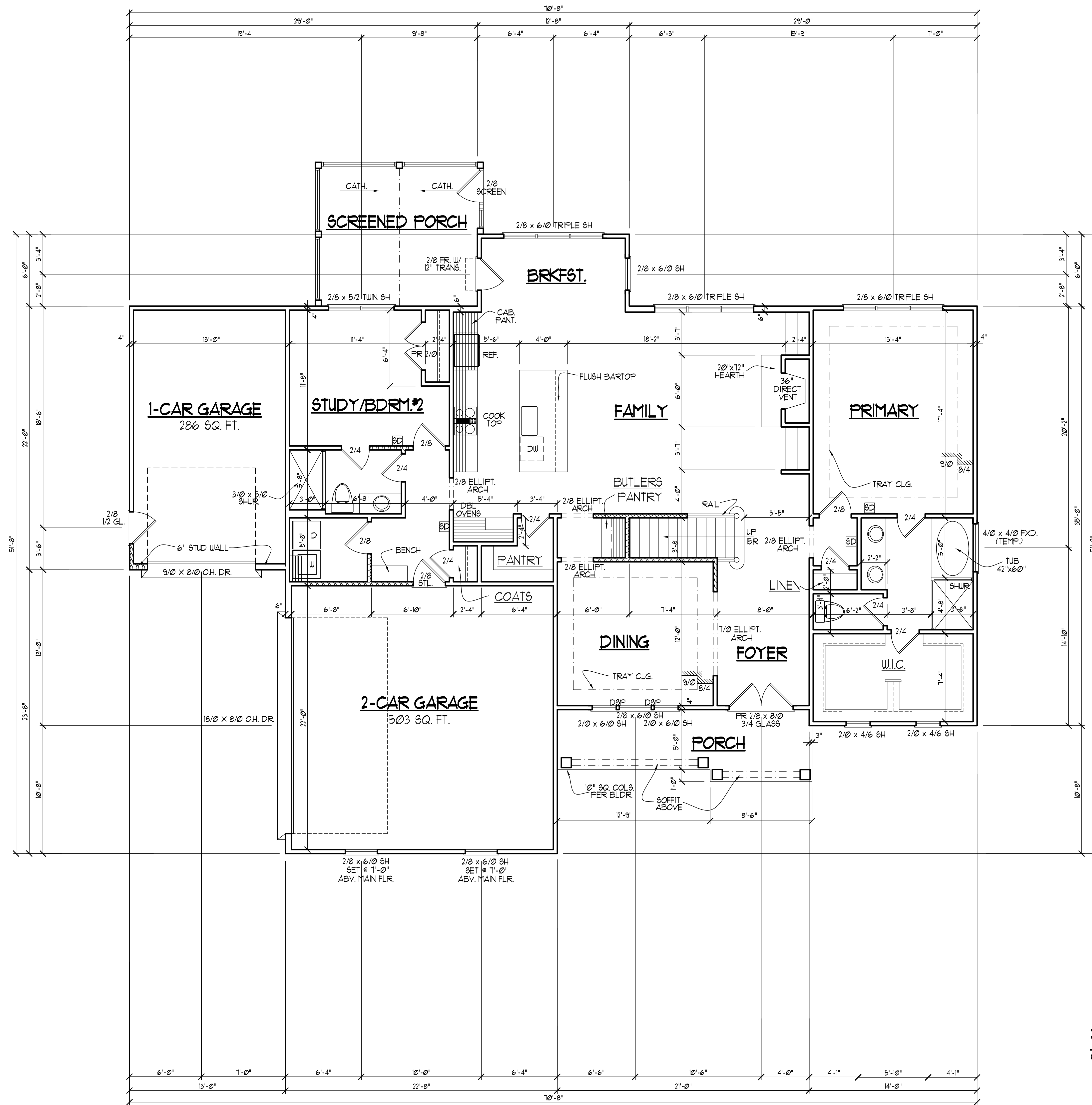
© COPYRIGHT 2023 MURPHY GARNOW DESIGN GROUP, INC. ALL RIGHTS RESERVED

HOUSE NAME:

HOUSE NUMBER:

PAGE NUMBER:

3 OF 8



NOTE!!
 MURPHY GARNOW DESIGN GROUP, INC. HEREBY EXPRESSLY RESERVES ITS COPYRIGHT AND OTHER PROPERTY RIGHTS TO THESE PLANS. THESE PLANS ARE TO BE USED FOR THE CONSTRUCTION OF (ONE) RESIDENCE ONLY. ANY OTHER USE, CHANGE AND/OR REPRODUCTION IN ANY FORM WILL RENDER THESE PLANS FRAUDULENT.

ALL DIMENSIONS, SITE CONDITIONS & CODES ARE TO BE VERIFIED BEFORE CONSTR. BEGINS. ONCE CONSTR. HAS BEGUN MURPHY GARNOW DESIGN GROUP, INC. WILL NOT ASSUME ANY LIABILITY FOR ANY EXPENSES ASSOCIATED WITH ERRORS & OMISSIONS.

- FIRST FLOOR NOTES:**
- 1) 9'-0" CLG. HGT. (TYP.) UNO.
 - 2) SET WINDOWS @ 1'-10" AFF. (TYP.) UNO.
 - 3) STAIRS: UP 15 RISERS @ 8" (+) (TYP.) UNO.
 - 4) PROVIDE 5/8" TYPE 'X' GYPSUM @ GARAGE CEILING ADJACENT TO HTD. SPACES. PROVIDE 1/2" GYPSUM @ GARAGE WALLS ADJACENT TO HTD. SPACES.
 - 5) ALL WALLS FIGURED AT 4" WIDTHS FOR STUDS, 9" WIDTHS FOR STUD/BRICK (TYP.) UNO.
 - 6) VERIFY ROUGH OPENINGS, SPECS. FOR CODE REQUIREMENTS WITH WINDOW MANUF.
 - 7) SD = SMOKE DETECTOR

SQUARE FOOTAGE

| | HTD. | UNHTD. |
|------------------|-------------|-------------|
| FIRST FLR. | 1806 | 789 |
| SECOND FLR. | 819 | 828 |
| TOTAL | 2625 | 1617 |
| MISC. | | |
| • PORCH | | 114 |
| • SCREENED PORCH | | 165 |
| • | | |
| • | | |

WINDW. FALL PROTECTION NOTES:
 SEE CODE SECTIONS R612 THRU R612.4 FOR WINDOW FALL PROTECTION DEVICE REQUIREMENTS IF WINDOW SILL IS LESS THAN 24" ABV. FLR. WITH A 6'-0" OR GREATER DISTANCE TO A SURFACE OUTSIDE AND BELOW THE WINDOW.

MURPHY GARNOW DESIGN GROUP, INC.
 1140-500 KILPAKE FARM ROAD
 CARY, NORTH CAROLINA 27511
 (919) 481-9115 FAX: (919) 481-6970
 www.murphygarnowdesign.com

HALCYON HOMES
 COTTON FARM
 LOT #58

DRAWN BY: TUG
 DATE: 2-22-10
 FILE NAME: B1-2-2625

| REVISIONS | TUG | PLAN |
|-----------|-----|-------|
| 1-6-11 | TUG | PLAN |
| 4-3-14 | TUG | PLAN |
| 1-23-15 | TUG | ELEV. |
| 2-4-15 | TUG | ELEV. |
| 1-11-23 | TUG | ELEV. |

© COPYRIGHT 2023 MURPHY GARNOW DESIGN GROUP, INC. ALL RIGHTS RESERVED

HOUSE NAME:

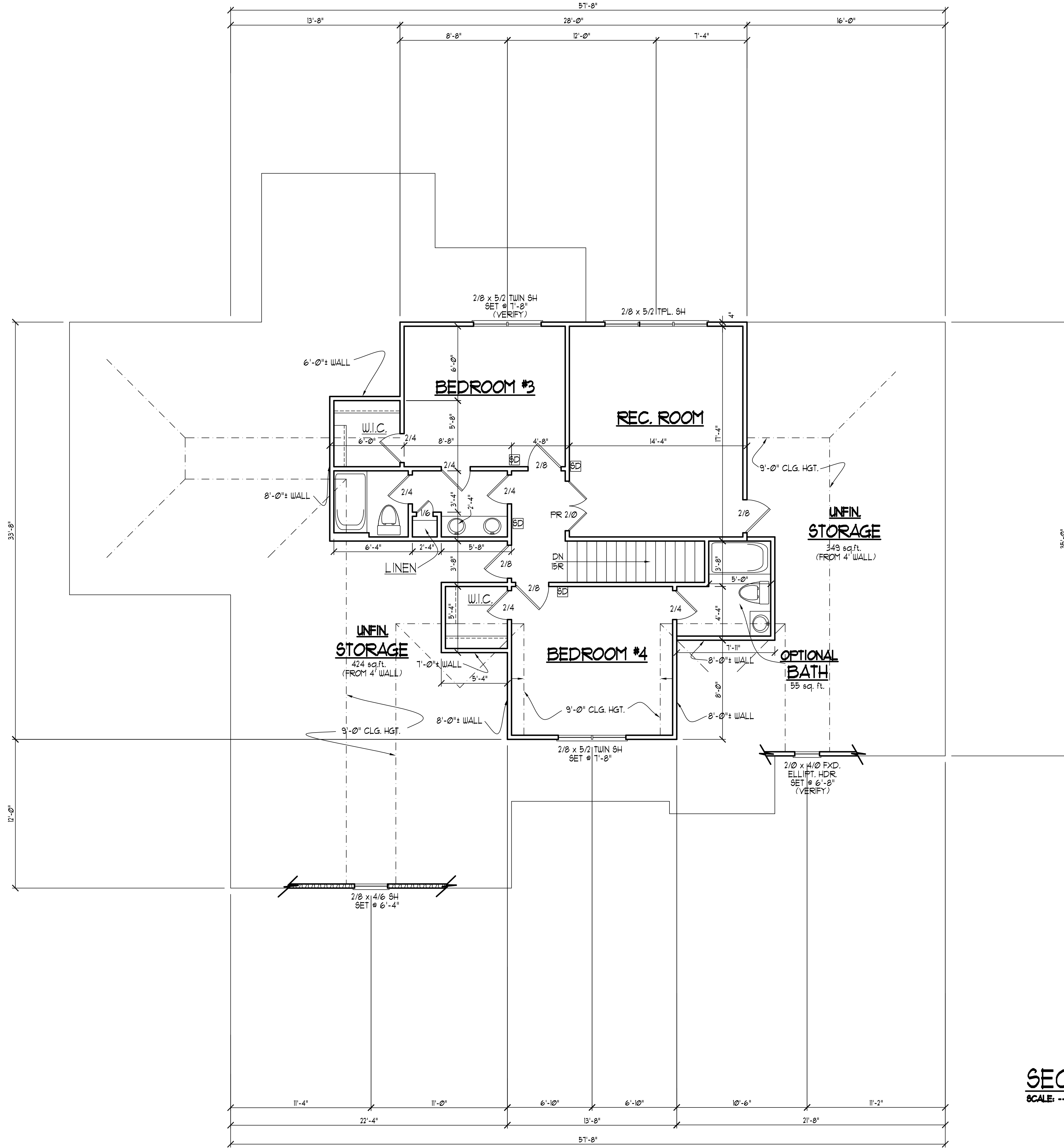
HOUSE NUMBER:

PAGE NUMBER:

4 OF 8

FIRST FLOOR PLAN
 SCALE:1/4" = 1'-0"

THESE PLANS MEET THE REQUIREMENTS OF THE INTERNATIONAL RESIDENTIAL CODE 2015 EDITION NORTH CAROLINA RESIDENTIAL CODE 2018 EDITION.



NOTE!!
 MURPHY GARNOW DESIGN GROUP, INC. HEREBY EXPRESSLY RESERVES ITS COPYRIGHT AND OTHER PROPERTY RIGHTS TO THESE PLANS. THESE PLANS ARE TO BE USED FOR THE CONSTRUCTION OF (ONE) RESIDENCE ONLY. ANY OTHER USE, CHANGE AND/OR REPRODUCTION IN ANY FORM WILL RENDER THESE PLANS FRAUDULENT.

SECOND FLOOR NOTES:

- 1) 9'-0" CLG. HGT. (TYP.) UNO.
- 2) SET WINDOWS @ 1'-4" AFF. (TYP.) UNO.
- 3) STAIRS: UP 15 RISERS @ 8" (+) (TYP.) UNO.
- 4) ALL WALLS FIGURED AT 4" WIDTHS FOR STUDS, 9" WIDTHS FOR STUD/BRICK (TYP.) UNO.
- 5) VERIFY ROUGH OPNG'S, SPECS. FOR CODE REQUIREMENTS WITH WINDOW MANUF.
- 6) SD = SMOKE DETECTOR

ALL DIMENSIONS, SITE CONDITIONS & CODES ARE TO BE VERIFIED BEFORE CONSTR. BEGINS. ONCE CONSTR. HAS BEGUN MURPHY GARNOW DESIGN GROUP, INC. WILL NOT ASSUME ANY LIABILITY FOR ANY EXPENSES ASSOCIATED WITH ERRORS & OMISSIONS.

MURPHY GARNOW DESIGN GROUP, INC.
 1140-500 KILPAKE FARM ROAD
 CARY, NORTH CAROLINA 27511
 (919) 481-9115 FAX: (919) 481-6970
 www.murphygarnowdesign.com

HALCYON HOMES
 COTTON FARM
 LOT #58

DRAWN BY: TUG
 DATE: 2-22-10
 FILE NAME: B1-2-2625

| REVISIONS | DATE | BY |
|-----------|------|-------|
| 1-6-11 | TUG | PLAN |
| 4-3-14 | TUG | PLAN |
| 1-23-15 | TUG | ELEV. |
| 2-4-15 | TUG | ELEV. |
| 1-11-23 | TUG | ELEV. |

© COPYRIGHT 2023 MURPHY GARNOW DESIGN GROUP, INC. ALL RIGHTS RESERVED

HOUSE NAME:

HOUSE NUMBER:

PAGE NUMBER:

5 OF 8

SECOND FLOOR PLAN
 SCALE: -----1/4" = 1'-0"

THESE PLANS MEET THE REQUIREMENTS OF THE INTERNATIONAL RESIDENTIAL CODE 2015 EDITION NORTH CAROLINA RESIDENTIAL CODE 2018 EDITION.

NOTE!!

MURPHY GARNOW DESIGN GROUP, INC. HEREBY EXPRESSLY RESERVES ITS COPYRIGHT AND OTHER PROPERTY RIGHTS TO THESE PLANS. THESE PLANS ARE TO BE USED FOR THE CONSTRUCTION OF (ONE) RESIDENCE ONLY. ANY OTHER USE, CHANGE AND/OR REPRODUCTION IN ANY FORM WILL RENDER THESE PLANS FRAUDULENT.

ALL DIMENSIONS, SITE CONDITIONS & CODES ARE TO BE VERIFIED BEFORE CONSTR. BEGINS. ONCE CONSTR. HAS BEGUN MURPHY GARNOW DESIGN GROUP, INC. WILL NOT ASSUME ANY LIABILITY FOR ANY EXPENSES ASSOCIATED WITH ERRORS & OMISSIONS.

MURPHY GARNOW DESIGN GROUP, INC.
1140-500 KILPAKE FARM ROAD
CARY, NORTH CAROLINA 27511
(919) 481-9115 FAX: (919) 481-6970
www.murphygarnowdesign.com

HALCYON HOMES
COTTON FARM
LOT #58

DRAWN BY: TUG
DATE: 2-22-10
FILE NAME: B1-2-2625

| REVISIONS | |
|-----------|-----------|
| 1-6-11 | TUG PLAN |
| 4-3-14 | TUG PLAN |
| 1-23-15 | TUG ELEV. |
| 2-4-15 | TUG ELEV. |
| 1-11-23 | TUG ELEV. |

© COPYRIGHT 2023 MURPHY GARNOW DESIGN GROUP, INC. ALL RIGHTS RESERVED

HOUSE NAME:

HOUSE NUMBER:

PAGE NUMBER:

6 OF 8

FRAMING NOTES

- NC (2018 NRCG); Wind: 115-120 mph
- BRACING METHOD AND TYPE: CONTINUOUSLY SHEATHED WSP. CS-WSP. NOTE THAT THE WALL BRACING AMOUNT PROVIDED ON THE PLANS (DETAILS AND SPECIFICATIONS) IS GREATER THAN THE AMOUNT OF WALL BRACING REQUIRED BY SECTION R602.10 OF THE CODE. SEE NOTES BELOW FOR DETAILS AND SPECIFICATIONS FOR WALL BRACING AND WALL FRAMING.
 - EXTERIOR WALL SHEATHING: WALLS TO BE BRACED BY SHEATHING WALLS ON ALL STORIES WITH WOOD STRUCTURAL PANEL SHEATHING (WSP) (EXPOSURE 1: 1/8" EXPOSURE C: 15/32"). SHEATHING SHALL BE ATTACHED WITH 8d NAILS AT A 6"X12" NAILING PATTERN (6" OC AT PANEL EDGES AND 12" OC AT INTERMEDIATE SUPPORTS). INSTALL BLOCKING AT ALL PANEL EDGES.
 - WSP SHEATHING SHALL EXTEND TO THE UPPERMOST DOUBLE BEARING PLATE. BLOCK AT ROOF PER SECTION R602.10.4.5 AND ATTACH BRACED WALLS PER CODE. WSP SHEATHING BETWEEN FLOORS SHALL BE SPliced ALONG CONTINUOUS BAND OR THE WSP SHEATHING MAY BE SPliced ACROSS STUDS (CONTINUOUS ACROSS FLOOR SYSTEM) WITH BLOCKING AT PANEL EDGES (MINIMUM 12" BEYOND FLOOR BREAK) OR OTHER APPROVED METHOD.
 - "HD" = HOLD-DOWN: HOLD-DOWN DEVICE (NOTED AS "HD" ON PLANS) SHALL BE AN 800 POUND CAPACITY ASSEMBLY AS NOTED ON PLANS. SEE DETAILS FOR HD ASSEMBLY.
**GROUND/FIRST FLOOR: USE "HD HOLD-DOWN DETAIL" ON SD SHEET (OR EQUIV.)
**UPPER FLOORS: ATTACH BASE OF KING STUD WITH A SIMPSON CS20 OR CSHP20 STRAP DOWN ACROSS THE BAND AND DOWN TO A STUD BELOW OR HEADER BELOW. EXTEND STRAP "T" MIN ALONG EACH STUD (OR HEADER) AND ATTACH EACH END W/ (1) 8d NAILS.
 - INTERIOR BRACED WALL: (NOTED AS "IBW" ON PLANS) ATTACH 1/2" GYPSUM BOARD (GB) ON EACH SIDE OF WALL WITH A MIN. OF 5d COOLER NAILS OR #6 SCREWS @ 7" O.C. ALONG THE EDGES AND AT INTERMEDIATE SUPPORTS.
 - INTERIOR BRACED WALL-WOOD STRUCTURAL PANEL: (NOTED AS "IBW-WSP" ON PLANS). ATTACH ONE SIDE WITH 3/4" WSP SHEATHING WITH 8d NAILS AT A 6"X12" NAILING PATTERN (6" OC AT PANEL EDGES AND 12" OC AT INTERMEDIATE SUPPORTS). INSTALL BLOCKING AT ALL PANEL EDGES. ATTACH GB OVER WSP AS REQUIRED. ATTACH OPPOSITE SIDE WITH 1/2" GB WITH A MIN. OF 5d COOLER NAILS OR #6 SCREWS @ 7" OC ALONG THE EDGES AND AT INTERMEDIATE SUPPORTS.

HEADER/BEAM & COLUMN NOTES

- ALL EXTERIOR AND LOAD BEARING HEADERS SHALL BE MIN. (2)2x6 (4" WALL) OR (3)2x6 (6" WALL) WITH (1) SUPPORT STUD, UNLESS NOTED OTHERWISE.
- THE NUMBER SHOWN AT BEAM AND HEADER SUPPORTS INDICATES THE NUMBER OF SUPPORT STUDS REQUIRED IN STUD POCKET OR COLUMN. THE NUMBER OF KING STUDS AT EACH END OF HEADERS IN EXTERIOR WALLS SHALL BE ACCORDING TO ITEM "d" IN TABLE R602.3(5) OR AS BELOW PER NCD01 COMMENTARY "KING STUDS AT WALL OPENINGS" REVISED 1-4-2020:
 - UP TO 3' SPAN: (1) KING STUD
 - OVER 3' UP TO 6' SPAN: (2) KING STUDS
 - OVER 6' UP TO 9' SPAN: (3) KING STUDS
 - OVER 9' UP TO 12' SPAN: (4) KING STUDS
 - OVER 12' UP TO 15' SPAN: (5) KING STUDS

PORCH POST NOTES:

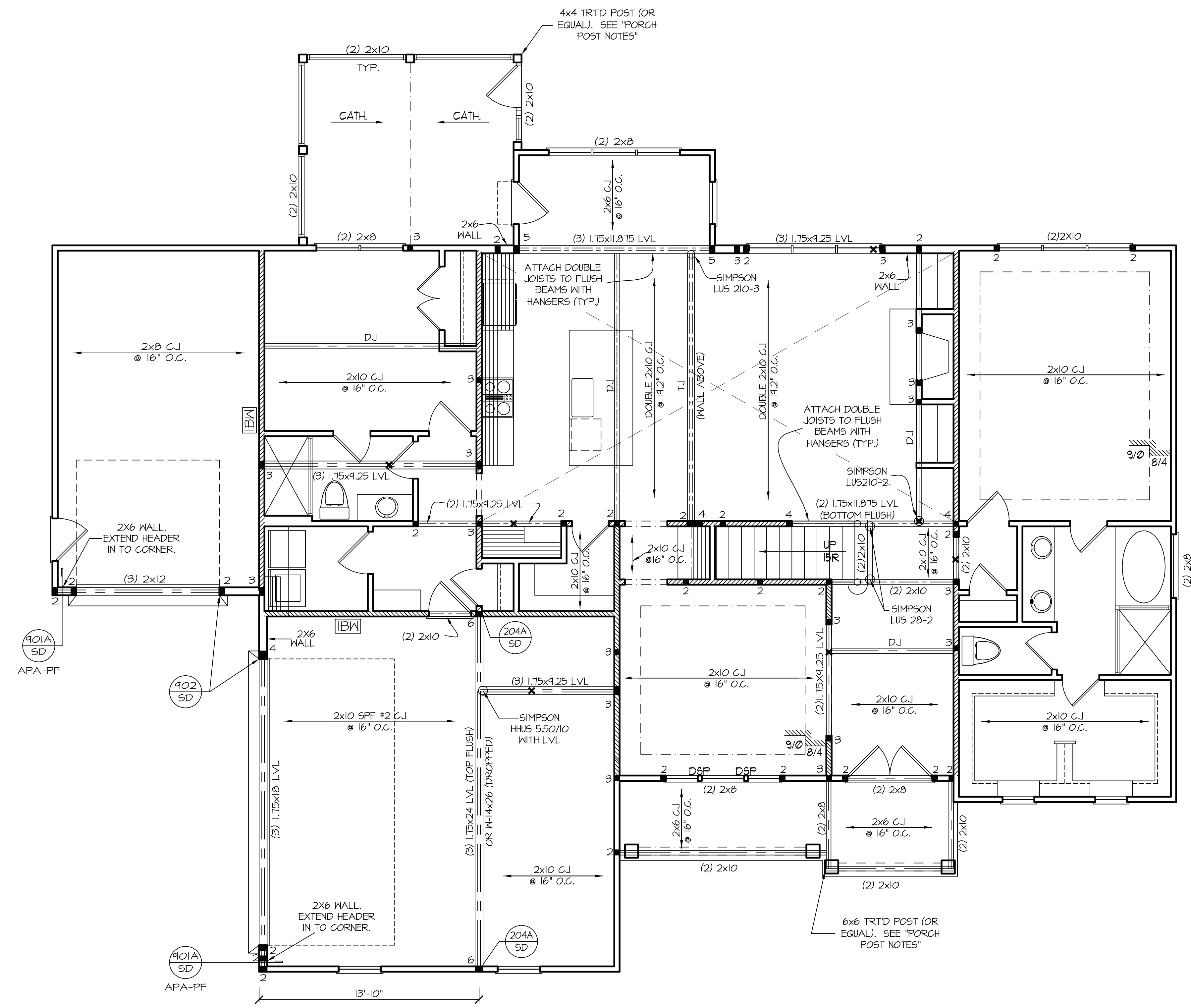
- 4x4 (6x6) TRTD POST (OR EQUAL).
 - ATTACH TRUSSES (RAFTERS) AT PORCH WITH HURRICANE CONNECTORS.
 - POST CAP: SIMPSON AC4-MAX (AC6-MAX)
 - POST CAP AT CORNER: (2) SIMPSON LCE4 (MITER HEADER AT CORNER). HIGH WIND; ADD (1) SIMPSON H6.
 - POST BASE: SIMPSON ABU44 (ABU66).
 - 3.1. MONO: 3/8" ANCHOR (EMBED 1')
 - 3.2. CML: 3/8" ANCHOR (EXTEND TO FOOTING - HIGH WIND ONLY)
 - POST BASE, WOOD FOUNDATION: (2) SIMPSON CS16 STRAPS AT POSTS. EXTEND 12" ONTO EACH POST (UPPER AND LOWER) OR TO GIRDER.
- NOTE: EQUIVALENT POST CAP AND BASE ACCEPTABLE.

FRAMING NOTE: ALL DIMENSIONAL LUMBER ON THIS SHEET MAY BE SPF #2 OR SYP #2, UNLESS SPECIFICALLY NOTED OTHERWISE.

STRUCTURAL DESIGN BY:
SOUTHERN ENGINEERS, P.A.
3716 BENSON DRIVE RALEIGH, NC 27609
LICENSE: C-4772, PHONE: 919-878-1617
PROJECT #: 23-1268



- Engineers seal applies only to structural components on this document. Seal does not include construction means, methods, techniques, sequences, procedures or safety precautions.
- Any deviations or discrepancies on plans are to be brought to the immediate attention of Southern Engineers. Failure to do so will void Southern Engineer's liability.
- Seal is valid for a project permitted within one year from date of seal.
- Use of these plans constitutes approval of terms and conditions as defined in the customer agreement.



FIRST FLOOR CEILING STRUCTURAL PLAN
SCALE: 1/4" = 1'-0" 3'-0" C.L.G. Hgt.

THESE PLANS MEET THE REQUIREMENTS OF THE NORTH CAROLINA RESIDENTIAL CODE 2018 EDITION.

NOTE!!

MURPHY GARNOW DESIGN GROUP, INC. HEREBY EXPRESSLY RESERVES ITS COPYRIGHT AND OTHER PROPERTY RIGHTS TO THESE PLANS. THESE PLANS ARE TO BE USED FOR THE CONSTRUCTION OF (ONE) RESIDENCE ONLY. ANY OTHER USE, CHANGE AND/OR REPRODUCTION IN ANY FORM WILL RENDER THESE PLANS FRAUDULENT.

ALL DIMENSIONS, SITE CONDITIONS & CODES ARE TO BE VERIFIED BEFORE CONSTR. BEGINS. ONCE CONSTR. HAS BEGUN MURPHY GARNOW DESIGN GROUP, INC. WILL NOT ASSUME ANY LIABILITY FOR ANY EXPENSES ASSOCIATED WITH ERRORS & OMISSIONS.

FRAMING NOTES

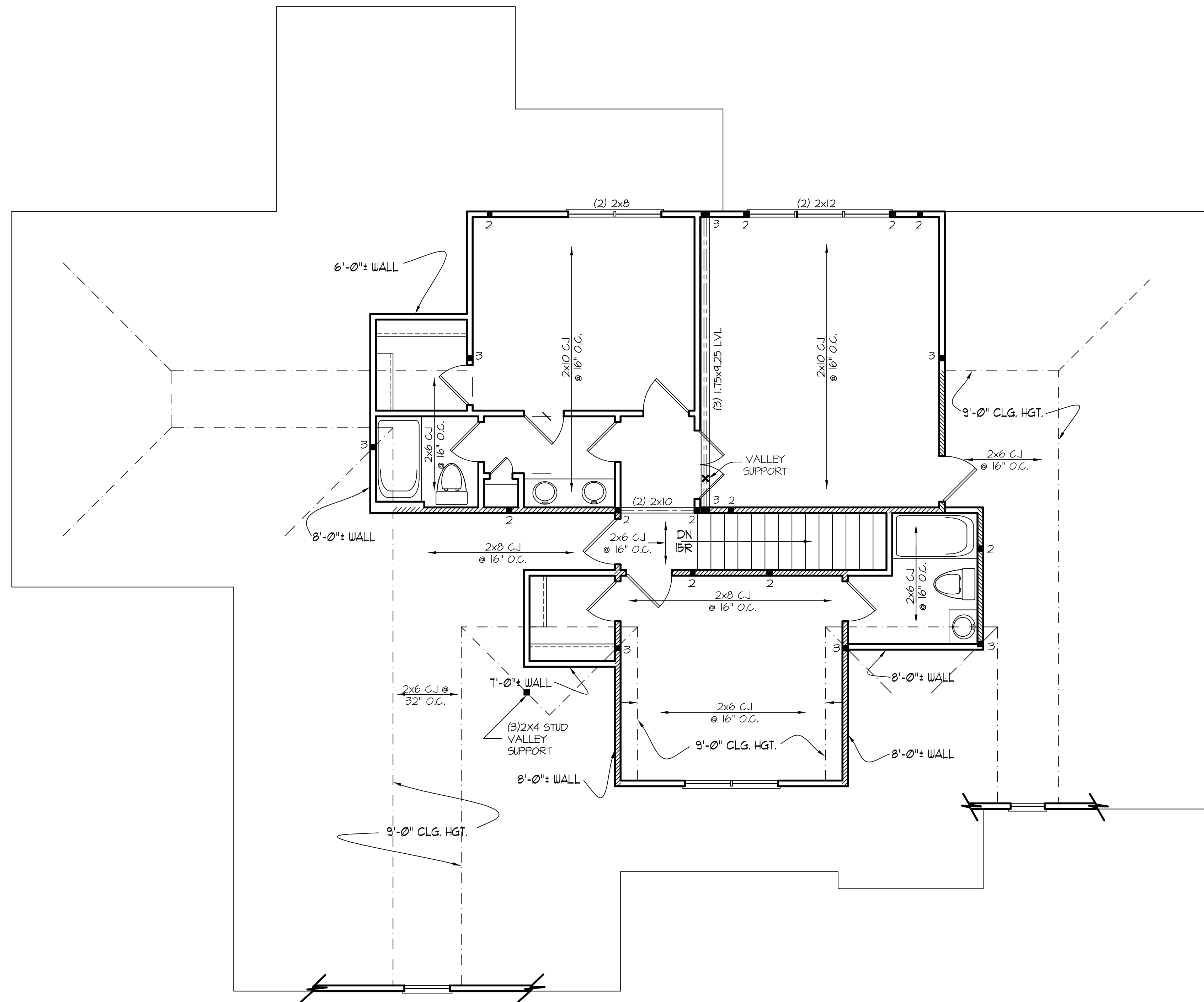
NC (2018 NRCG); Wind: 115-120 mph

- BRACING METHOD AND TYPE: CONTINUOUSLY SHEATHED WSP. CS-WSP. NOTE THAT THE WALL BRACING AMOUNT PROVIDED ON THE PLANS (DETAILS AND SPECIFICATIONS) IS GREATER THAN THE AMOUNT OF WALL BRACING REQUIRED BY SECTION R602.10 OF THE CODE. SEE NOTES BELOW FOR DETAILS AND SPECIFICATIONS FOR WALL BRACING AND WALL FRAMING.
- EXTERIOR WALL SHEATHING: WALLS SHALL BE BRACED BY SHEATHING WALLS ON ALL STORIES WITH WOOD STRUCTURAL PANEL SHEATHING (WSP) (EXPOSURE B: 1/8" EXPOSURE C: 15/32"). SHEATHING SHALL BE ATTACHED WITH 8d NAILS AT A 6"/12" NAILING PATTERN (6" OC AT PANEL EDGES AND 12" OC AT INTERMEDIATE SUPPORTS). INSTALL BLOCKING AT ALL PANEL EDGES.
- WSP SHEATHING SHALL EXTEND TO THE UPPERMOST DOUBLE BEARING PLATE. BLOCK AT ROOF PER SECTION R602.10.4.5 AND ATTACH BRACED WALLS PER CODE. WSP SHEATHING BETWEEN FLOORS SHALL BE SPLICED ALONG CONTINUOUS BAND OR THE WSP SHEATHING MAY BE SPLICED ACROSS STUDS (CONTINUOUS ACROSS FLOOR SYSTEM) WITH BLOCKING AT PANEL EDGES (MINIMUM 12" BEYOND FLOOR BREAK) OR OTHER APPROVED METHOD.
- "HD" = HOLD-DOWN: HOLD-DOWN DEVICE (NOTED AS "HD" ON PLANS) SHALL BE AN 800 POUND CAPACITY ASSEMBLY AS NOTED ON PLANS. SEE DETAILS FOR HD ASSEMBLY.
**GROUND/FIRST FLOOR: USE "HD HOLD-DOWN DETAIL" ON SD SHEET (OR EQUIV.)
**UPPER FLOORS: ATTACH BASE OF KING STUD WITH A SIMPSON CS20 OR CSH20 STRAP DOWN ACROSS THE BAND AND DOWN TO A STUD BELOW OR HEADER BELOW. EXTEND STRAP 1" MIN ALONG EACH STUD (OR HEADER) AND ATTACH EACH END W/ (1) 8d NAILS.
- INTERIOR BRACED WALL: (NOTED AS "IBW" ON PLANS) ATTACH 1/2" GYPSUM BOARD (GB) ON EACH SIDE OF WALL WITH A MIN. OF 5d COOLER NAILS OR #6 SCREWS @ 12" O.C. ALONG THE EDGES AND AT INTERMEDIATE SUPPORTS.
- INTERIOR BRACED WALL-WOOD STRUCTURAL PANEL: (NOTED AS "IBW-WSP" ON PLANS). ATTACH ONE SIDE WITH 3/4" WSP SHEATHING WITH 8d NAILS AT A 6"/12" NAILING PATTERN (6" OC AT PANEL EDGES AND 12" OC AT INTERMEDIATE SUPPORTS). INSTALL BLOCKING AT ALL PANEL EDGES. ATTACH GB OVER WSP AS REQUIRED. ATTACH OPPOSITE SIDE WITH 1/2" GB WITH A MIN. OF 5d COOLER NAILS OR #6 SCREWS @ 12" OC ALONG THE EDGES AND AT INTERMEDIATE SUPPORTS.

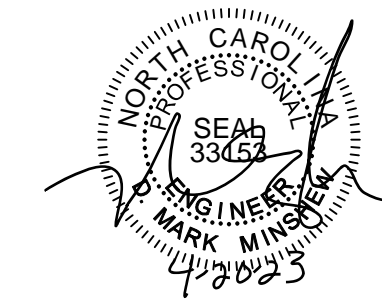
HEADER/BEAM & COLUMN NOTES

- ALL EXTERIOR AND LOAD BEARING HEADERS SHALL BE MIN. (2)2x6 (4" WALL) OR (3)2x6 (6" WALL) WITH (1) SUPPORT STUD, UNLESS NOTED OTHERWISE.
- THE NUMBER SHOWN AT BEAM AND HEADER SUPPORTS INDICATES THE NUMBER OF SUPPORT STUDS REQUIRED IN STUD POCKET OR COLUMN. THE NUMBER OF KING STUDS AT EACH END OF HEADERS IN EXTERIOR WALLS SHALL BE ACCORDING TO ITEM "d" IN TABLE R602.3(5) OR AS BELOW PER NCDG COMMENTARY "KING STUDS AT WALL OPENINGS" REVISED 1-4-2020:
 - UP TO 3' SPAN: (1) KING STUD
 - OVER 3' UP TO 6' SPAN: (2) KING STUDS
 - OVER 6' UP TO 9' SPAN: (3) KING STUDS
 - OVER 9' UP TO 12' SPAN: (4) KING STUDS
 - OVER 12' UP TO 15' SPAN: (5) KING STUDS

FRAMING NOTE: ALL DIMENSIONAL LUMBER ON THIS SHEET MAY BE SPF #2 OR GYP #2, UNLESS SPECIFICALLY NOTED OTHERWISE.



STRUCTURAL DESIGN BY:
SOUTHERN ENGINEERS, P.A.
3716 BENSON DRIVE RALEIGH, NC 27609
LICENSE: C-4772, PHONE: 919-878-1617
PROJECT #: 23-1268



- Engineers seal applies only to structural components on this document. Seal does not include construction means, methods, techniques, sequences, procedures or safety precautions.
- Any deviations or discrepancies on plans are to be brought to the immediate attention of Southern Engineers. Failure to do so will void Southern Engineer's liability.
- Seal is valid for a project permitted within one year from date of seal.
- Use of these plans constitutes approval of terms and conditions as defined in the customer agreement.

SECOND FLOOR CEILING STRUCTURAL PLAN
SCALE: 1/4" = 1'-0" 9'-0" CLG. HGT.

THESE PLANS MEET THE REQUIREMENTS OF THE NORTH CAROLINA RESIDENTIAL CODE 2018 EDITION.

MURPHY GARNOW DESIGN GROUP, INC.
1140-500 KILPAKE FARM ROAD
CARY, NORTH CAROLINA 27511
(919) 481-9115 FAX: (919) 481-6970
www.murphygarnowdesign.com

HALCYON HOMES
COTTON FARM
LOT #58

DRAWN BY: TUG
DATE: 2-22-10
FILE NAME: B7-2-2625

| REVISIONS | DATE | BY |
|-----------|------|-------|
| 1-6-11 | TUG | PLAN |
| 4-3-14 | TUG | PLAN |
| 1-23-15 | TUG | ELEV. |
| 2-4-15 | TUG | ELEV. |
| 1-11-23 | TUG | ELEV. |

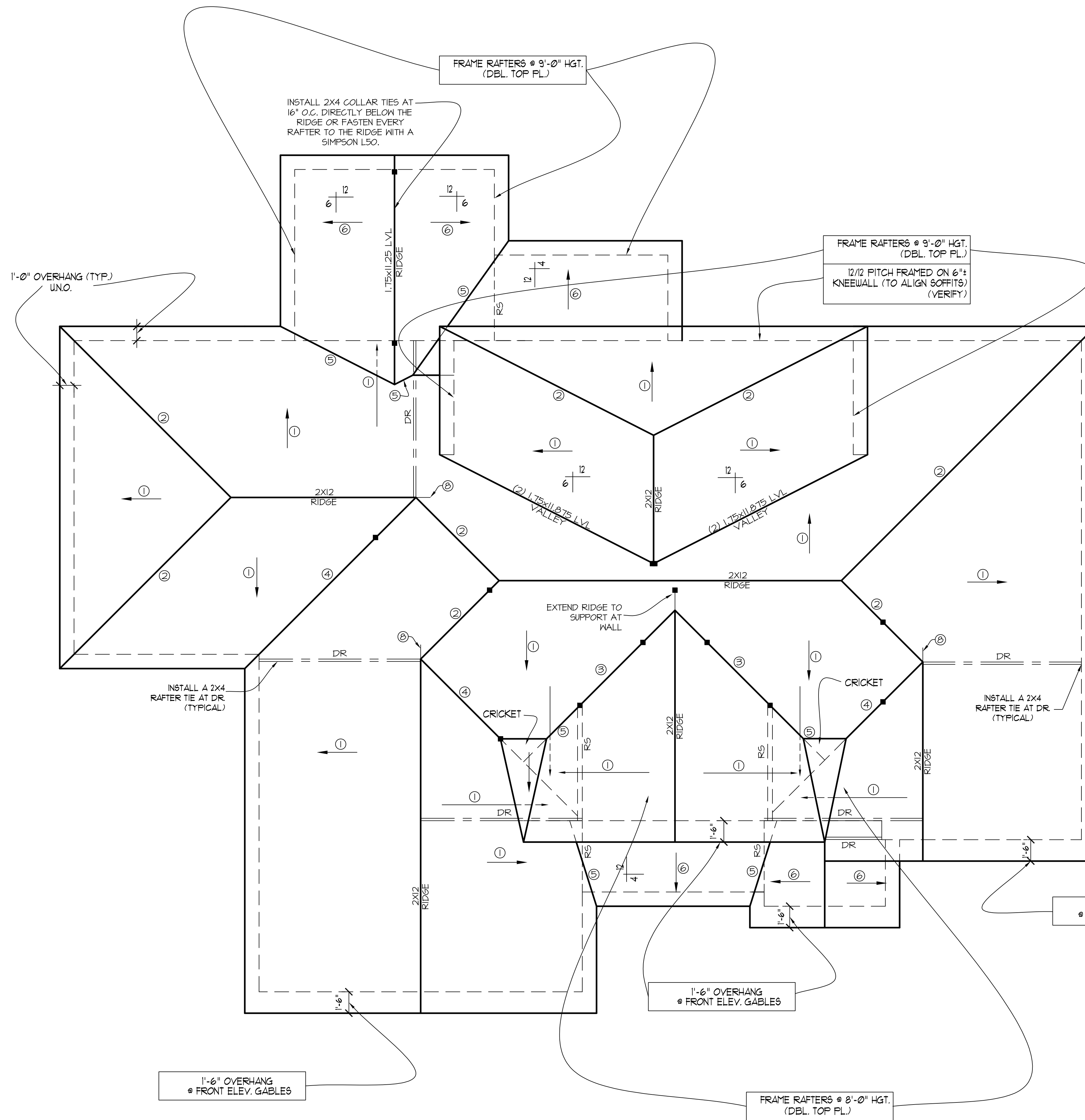
© COPYRIGHT 2023 MURPHY GARNOW DESIGN GROUP, INC. ALL RIGHTS RESERVED

HOUSE NAME:

HOUSE NUMBER:

PAGE NUMBER:

7 OF 8



NOTE!!
 MURPHY GARNOW DESIGN GROUP, INC. HEREBY EXPRESSLY RESERVES ITS COPYRIGHT AND OTHER PROPERTY RIGHTS TO THESE PLANS. THESE PLANS ARE TO BE USED FOR THE CONSTRUCTION OF (ONE) RESIDENCE ONLY. ANY OTHER USE, CHANGE AND/OR REPRODUCTION IN ANY FORM WILL RENDER THESE PLANS FRAUDULENT.

ALL DIMENSIONS, SITE CONDITIONS & CODES ARE TO BE VERIFIED BEFORE CONSTR. BEGINS. ONCE CONSTR. HAS BEGUN MURPHY GARNOW DESIGN GROUP, INC. WILL NOT ASSUME ANY LIABILITY FOR ANY EXPENSES ASSOCIATED WITH ERRORS & OMISSIONS.

ROOF FRAMING NOTES:

- 1) ALL ROOF PITCHES TO BE 12/12 (TYP.) UNO.
- 2) PROVIDE 2x4 COLLAR BEAMS EVERY OTHER RAFTER (TYP.)
- 3) PROVIDE "HURRICANE CLIPS" AT ALL VALLEYS AND OPPOSING DBL. RAFTERS
- 4) PROVIDE DBL. HEADERS AND TRIMMERS AT ALL ROOF OPENINGS (EX: DORMERS, SKYLIGHTS, CHIMNEYS ETC.)
- 5) 2x8 RAFTERS @ CATH. OR VAULTED CLGS. TO BE FURRED DOWN OR USE DEEPER RAFTERS (VERIFY BRNG. HGT. FOR PROPER INSULATION PER CODE)
- 6) VERIFY ALL RAFTER BRNG. HGTs. BEFORE CONSTR. HAS BEGUN

ROOF FRAMING NOTES:
 NC (2018 NRC): Wind: 115-120 mph

- 1) 2x8 RAFTERS @ 16" O.C. WITH 2x10 RIDGE, UNO.
- 2) 2x10 OR 1.75x1.875 LVL HIP. (2) 2x10 HIPs MAY BE SPLICED WITH A MIN. 6'-0" OVERLAP AT CENTER
- 3) (2) 2x10 OR 1.75x1.875 LVL VALLEY. DO NOT SPLICE VALLEYS
- 4) 1.75x1.875 LVL OR (2) 1.75x1.875 LVL VALLEY
- 5) FALSE FRAME VALLEY ON 2x10 FLAT PLATE
- 6) 2x6 RAFTERS @ 16" O.C. W/ 2x8 RIDGE, UNO.
- 7) 2x10 RAFTERS @ 16" O.C. W/ 2x12 RIDGE, UNO.
- 8) EXTEND RIDGE 12" BEYOND INTERSECTION

- "SR" = SINGLE RAFTER
- "DR" = DOUBLE RAFTER
- "TR" = TRIPLE RAFTER
- "RS" = ROOF SUPPORT
- "■" = (3) STUD OR 4x4 POST FOR ROOF SUPPORT (USE 2X6 STUDS OR 6X6 POST FOR SUPPORT OVER 10'-0" IN HEIGHT)
- ATTACH VAULTED RAFTERS WITH HURRICANE CLIPS; SIMPSON "H-25A" OR EQUIVALENT. TIES TO BE INSTALLED ON THE OUTSIDE FACE OF FRAMING.
- INSTALL RAFTER TIES AND COLLAR TIES PER SECTION R802.3.1 OF THE 2018 NC RESIDENTIAL CODE.

FRAMING NOTE: ALL DIMENSIONAL LUMBER ON THIS SHEET MAY BE SPF #2 OR SYP #2, UNLESS SPECIFICALLY NOTED OTHERWISE.

MURPHY GARNOW DESIGN GROUP, INC.
 1140-500 KILPAKE FARM ROAD
 CARY, NORTH CAROLINA 27511
 (919) 481-9115 FAX (919) 481-6970
 www.murphygarnowdesign.com

HALCYON HOMES
 COTTON FARM
 LOT #58

DRAWN BY: TUG
 DATE: 2-22-10
 FILE NAME: B1-2-2625

| REVISIONS | |
|-----------|-----------|
| 1-6-11 | TUG PLAN |
| 4-3-14 | TUG PLAN |
| 1-23-15 | TUG ELEV. |
| 2-4-15 | TUG ELEV. |
| 1-11-23 | TUG ELEV. |

© COPYRIGHT 2023 MURPHY GARNOW DESIGN GROUP, INC. ALL RIGHTS RESERVED

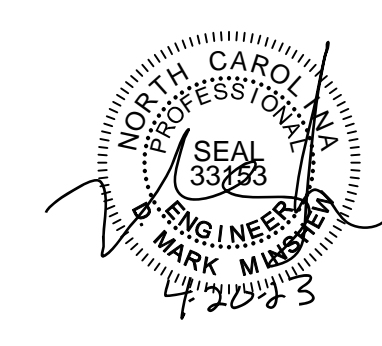
HOUSE NAME:

HOUSE NUMBER:

PAGE NUMBER:

8 OF 8

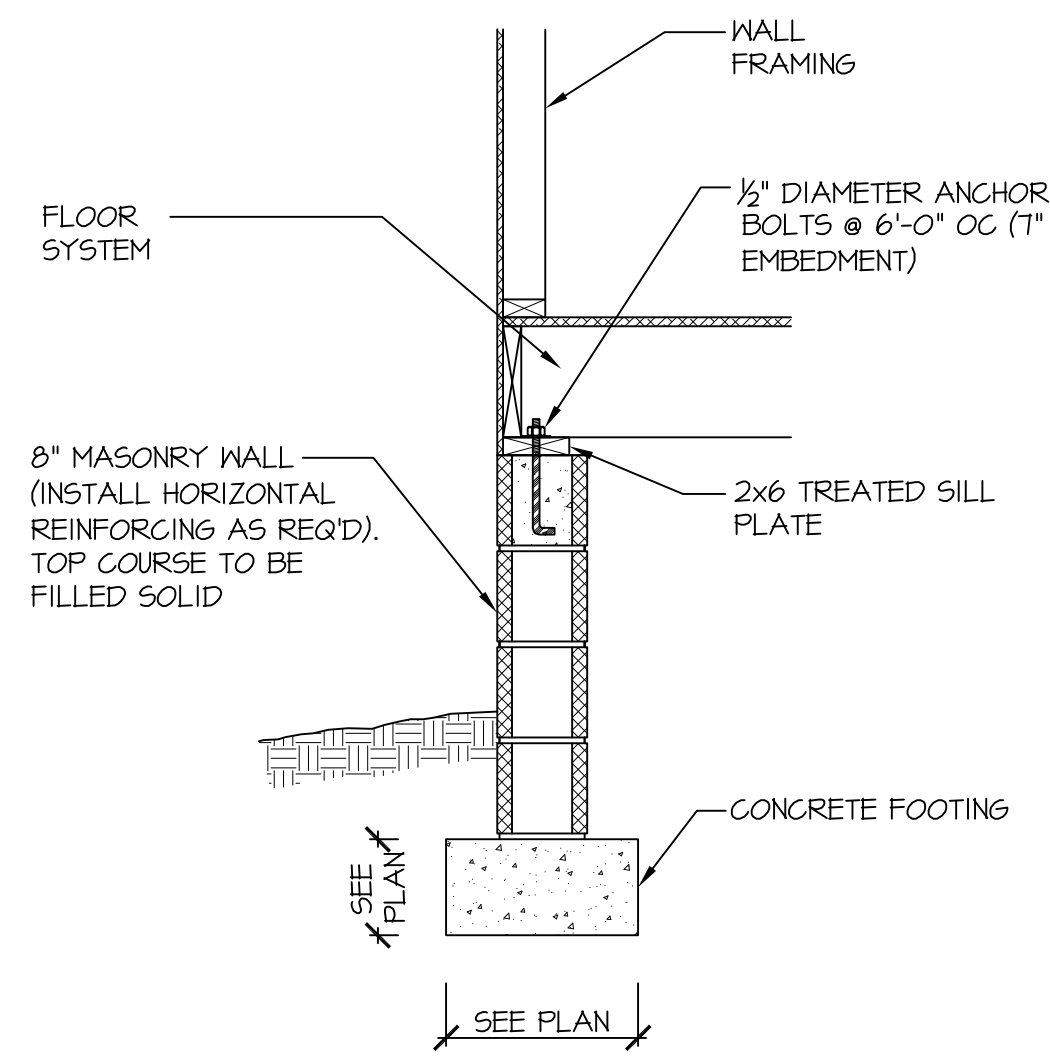
STRUCTURAL DESIGN BY:
 SOUTHERN ENGINEERS, P.A.
 3716 BENSON DRIVE RALEIGH, NC 27609
 LICENSE: C-4772, PHONE: 919-878-1617
 PROJECT #: 23-1268



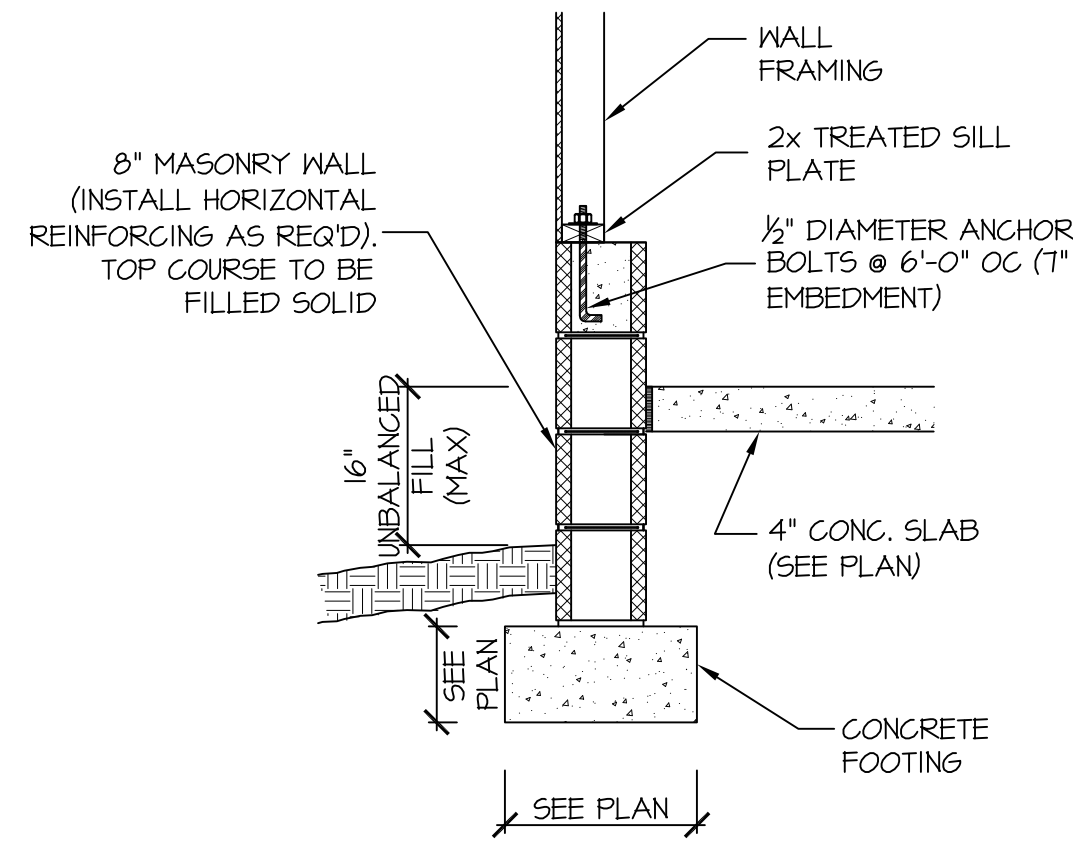
- Engineers seal applies only to structural components on this document. Seal does not include construction means, methods, techniques, sequences, procedures or safety precautions.
- Any deviations or discrepancies on plans are to be brought to the immediate attention of Southern Engineers. Failure to do so will void Southern Engineer's liability.
- Seal is valid for a project permitted within one year from date of seal.
- Use of these plans constitutes approval of terms and conditions as defined in the customer agreement.

ROOF FRAMING PLAN
 SCALE:1/4" = 1'-0"

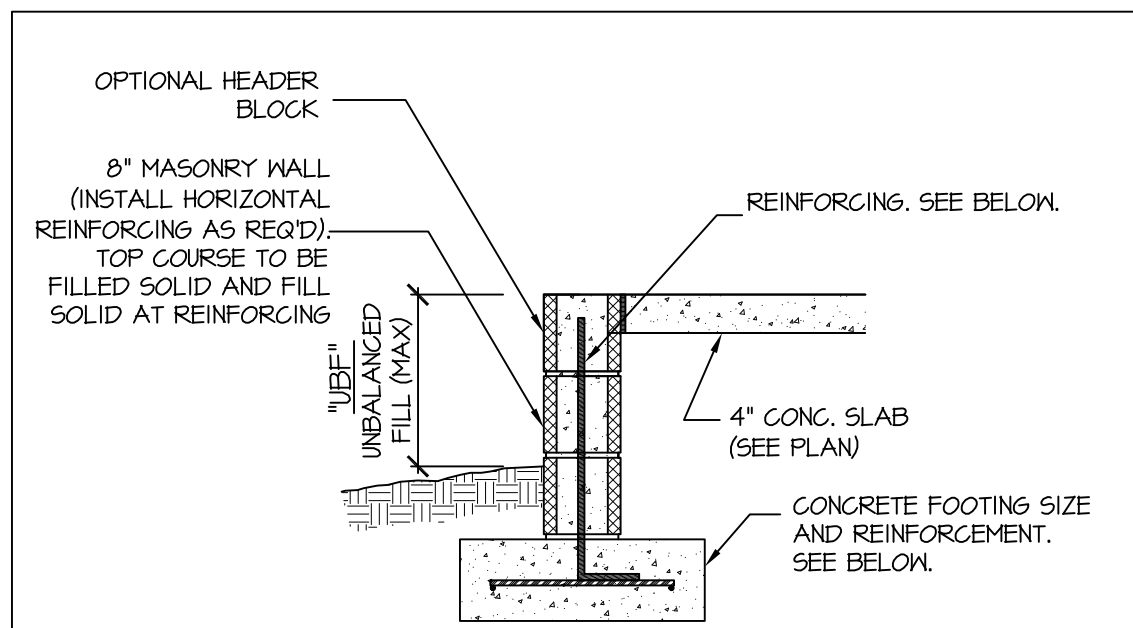
THESE PLANS MEET THE REQUIREMENTS OF THE NORTH CAROLINA RESIDENTIAL CODE 2018 EDITION.



115-120 MPH 110A SD CRAWL SPACE FOOTING (SIDING OR EQUAL)



115-120 MPH 111A SD GARAGE WALL FOOTING (SIDING OR EQUAL)

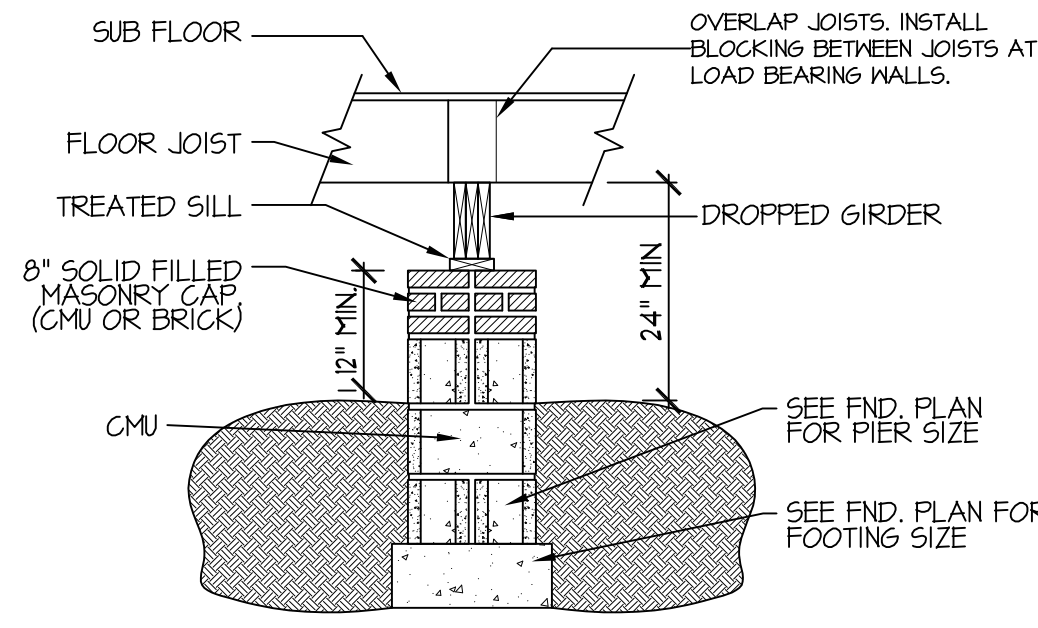


115-120 MPH 106D SD FILLED PORCH WALL

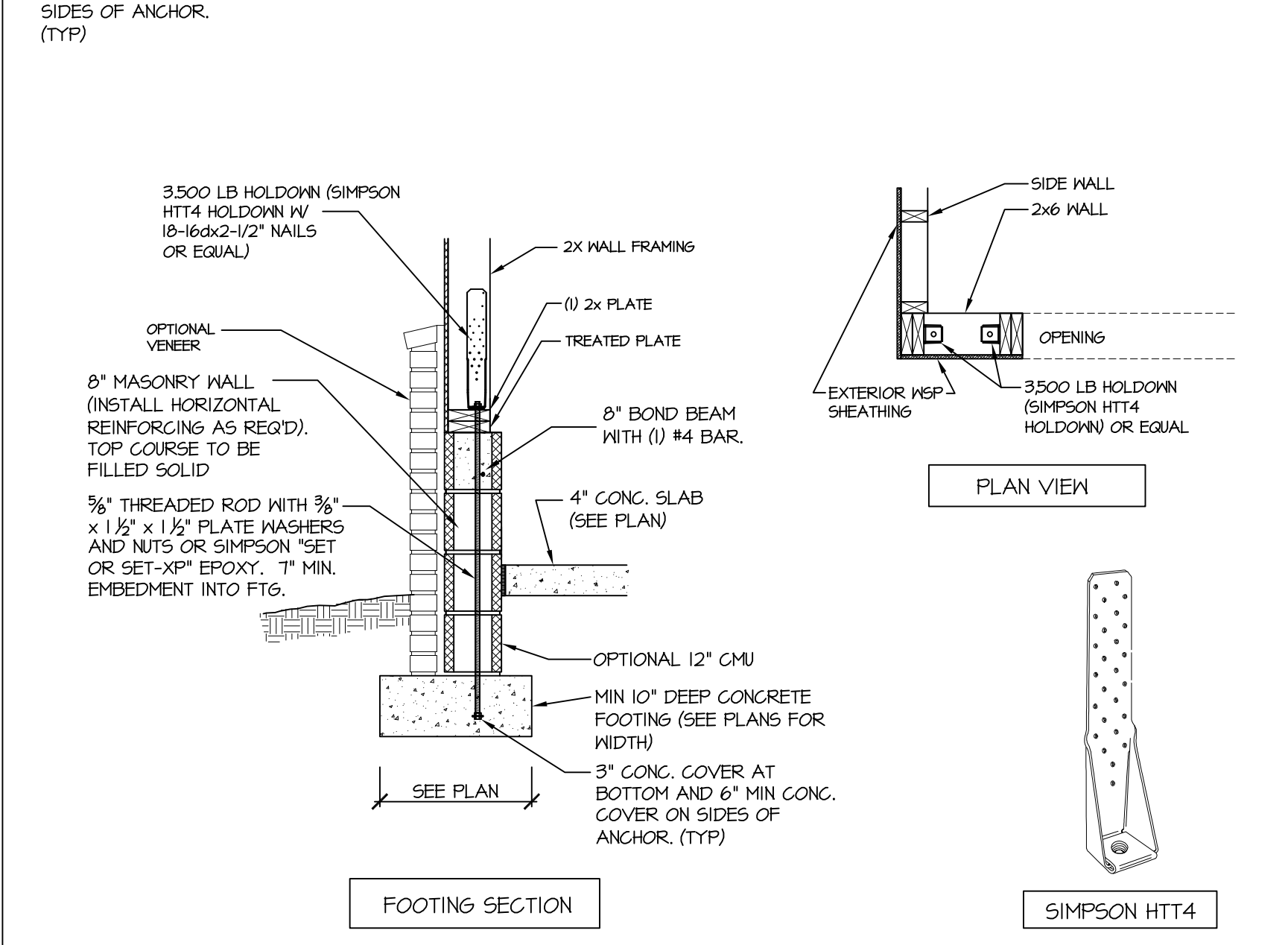
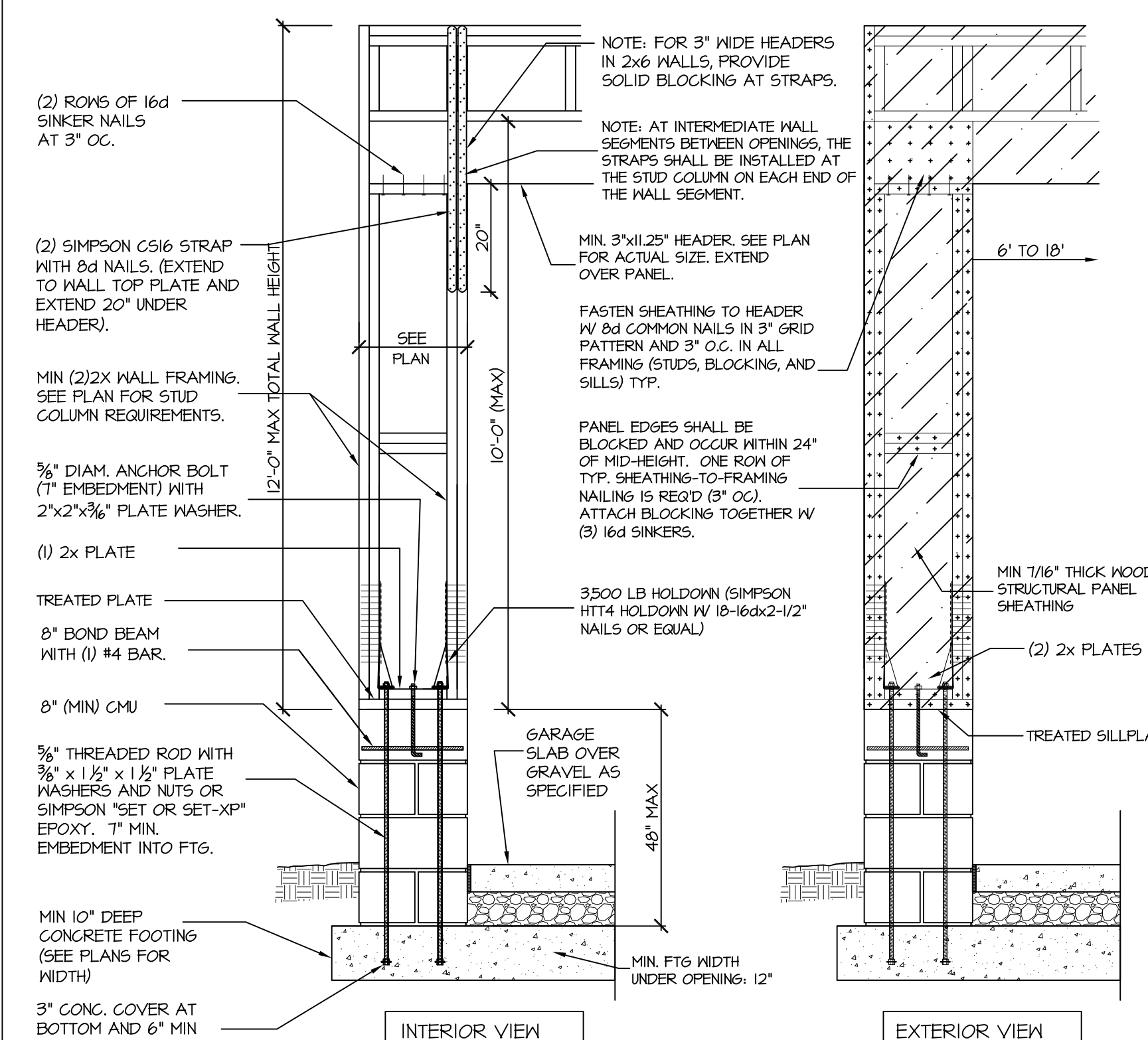
UBF = UP TO 16' → 8" MASONRY (UN-REINFORCED) ON 16" WIDE BY 8" DEEP (MIN) CONG. FTG.

UBF = 16" UP TO 24" → REINFORCE WALL W/ #4 BAR @ 32" O.C. BEND 6" INTO FTG. 24" WIDE BY 10" DEEP CONG FTG REINFORCED W/ (3) #4 BAR OR (2) #5 BAR CONTINUOUS WITH #4 TIES @ 48" O.C.

UBF = 24" UP TO 48" → REINFORCE WALL W/ #5 BAR @ 32" O.C. BEND 12" IN TO FTG. 32" WIDE BY 10" DEEP CONG FTG REINFORCED W/ (4) #4 BAR OR (3) #5 BAR CONTINUOUS WITH #4 TIES @ 32" O.C.



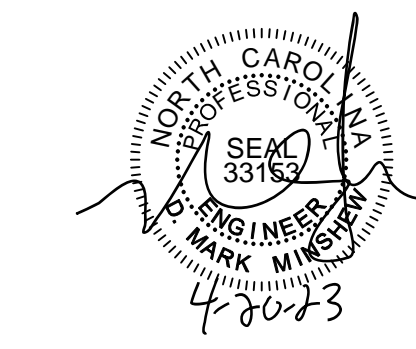
122A SD DROPPED GIRDER NTS



SECTION 401A SD APA PORTAL FRAME W/ HOLD-DOWNS
DETAIL AND APPLICATION BASED ON APA TT-100F WITH USE OF TABLE I FOR APA PORTAL FRAME WITH HOLD-DOWN CAPACITIES.

STRUCTURAL NOTES
NC (2018 NCR/C); Wind: 115-120 mph

- ENGINEER'S SEAL APPLIES ONLY TO STRUCTURAL COMPONENTS INCLUDING ROOF RAFTERS, HIPs, VALLEYS, RIDGES, FLOORS, WALLS, BEAMS AND HEADERS, COLLINGs, CANTILEVERS, OFFSET LOAD BEARING WALLS, PIER & GIRDER SYSTEM, FOOTING, AND PILING SYSTEM. ENGINEER'S SEAL DOES NOT CERTIFY DIMENSIONAL ACCURACY OR ARCHITECTURAL LAYOUT INCLUDING ROOF SYSTEM. ALL REQUIREMENTS FOR PROFESSIONAL CERTIFICATION SHALL BE PROVIDED BY THE APPROPRIATE PROFESSIONAL. SOUTHERN ENGINEERS, P.A. CERTIFIES ONLY THE STRUCTURAL COMPONENTS AS SPECIFICALLY STATED.
- ALL CONSTRUCTION SHALL CONFORM TO THE LATEST REQUIREMENTS OF THE 2018 NC RESIDENTIAL CODE PLUS ALL LOCAL CODES AND REGULATIONS. THE STRUCTURAL ENGINEER IS NOT RESPONSIBLE FOR, AND WILL NOT HAVE CONTROL OF, CONSTRUCTION MEANS, METHODS, TECHNIQUES, SEQUENCES OR PROCEDURES, OR FOR SAFETY PRECAUTIONS AND PROGRAMS IN CONNECTION WITH THE CONSTRUCTION WORK, NOR WILL THE ENGINEER BE RESPONSIBLE FOR THE CONTRACTOR'S FAILURE TO CARRY OUT THE CONSTRUCTION WORK IN ACCORDANCE WITH THE CONTRACT DOCUMENTS. "CONSTRUCTION REVIEW" SERVICES ARE NOT PART OF OUR CONTRACT. ALL MEMBERS SHALL BE FRAMED ANCHORED, TIED AND BRACED IN ACCORDANCE WITH GOOD CONSTRUCTION PRACTICE AND THE BUILDING CODE.
- DESIGN LOADS (LISTED AS: LIVE LOAD, DEAD LOAD, DEFLECTION)
 - ROOMS OTHER THAN SLEEPING ROOMS: (40 PSF, 10 PSF, L/360)
 - SLEEPING ROOMS: (30 PSF, 10 PSF, L/360)
 - ATTIC WITH PERMANENT STAIR: (40 PSF, 10 PSF, L/360)
 - ATTIC WITHOUT PERMANENT STAIR: (20 PSF, 10 PSF, L/360)
 - ATTIC WITHOUT STORAGE: (10 PSF, 10 PSF, L/240)
 - STAIRS: (40 PSF, 10 PSF, L/360)
 - DECKS AND EXTERIOR BALCONIES: (40 PSF, 10 PSF, L/360)
 - PASSENGER VEHICLE GARAGES: (30 PSF, 10 PSF, L/360)
 - SNOW: (20 PSF)
- WALLS SHALL BE BRACED BY SHEATHING WALLS ON ALL STORIES WITH WOOD STRUCTURAL PANELS. SEE FRAMING NOTES FOR THICKNESS AND NAILING REQUIREMENTS.
- SEE APPENDIX M (DCA6) FOR EXTERIOR DECK REQUIREMENTS INCLUDING ATTACHMENTS FOR LATERAL LOADS.
- CONCRETE SHALL HAVE A MINIMUM 28 DAY STRENGTH OF 3000 PSI AND A MAXIMUM SLUMP OF 5 INCHES UNLESS NOTED OTHERWISE (NO). AIR ENTRAINMENT PER TABLE 402.2. ALL CONCRETE SHALL BE PROPORTIONED, MIXED, HANDLED, SAMPLED, TESTED, AND PLACED IN ACCORDANCE WITH ACI STANDARDS. ALL SAMPLES FOR PUMPING SHALL BE TAKEN FROM THE EXIT END OF THE PUMP. CONTROL JOINTS IN SLABS SHALL BE SPACED ON A GRID OF +30 TIMES THE DEPTH (D). CONTROL JOINTS SHALL BE SAWCUT TO A DEPTH OF 1/2 (I.E. 4" CONCRETE SLABS SHALL HAVE 1/4" DEEP CONTROL JOINTS SAWCUT IN SLAB ON A +10'-0" x +10'-0" GRID).
- ALLOWABLE SOIL BEARING PRESSURE ASSUMED TO BE 2000 PSF. THE CONTRACTOR MUST CONTACT A GEOTECHNICAL ENGINEER AND THE STRUCTURAL ENGINEER IF UNSATISFACTORY SUBSURFACE CONDITIONS ARE ENCOUNTERED. THE SURFACE AREA ADJACENT TO THE FOUNDATION WALL SHALL BE PROVIDED WITH ADEQUATE DRAINAGE, AND SHALL BE GRADED SO AS TO DRAIN SURFACE WATER AWAY FROM FOUNDATION WALLS.
- ALL FRAMING LUMBER SHALL BE SPF #2 (Fb = 875 PSI) UNLESS NOTED OTHERWISE (NO). ALL TREATED LUMBER SHALL BE SYP # 2. PLATE MATERIAL MAY BE SPF # 3 OR SYP #3 (Fcp/perp) = 425 PSI - MIN.
- L.V.L. SHALL BE LAMINATED VENEER LUMBER; Fb=2600 PSI, Fv=205 PSI, E=1.9x10⁶ PSI.
 - P.S.L. SHALL BE PARALLEL STRAND LUMBER; Fb=2400 PSI, Fv=240 PSI, E=2.0x10⁶ PSI.
 - L.S.L. SHALL BE LAMINATED STRAND LUMBER; Fb=2250 PSI, Fv=400 PSI, E=1.55x10⁶ PSI. INSTALL ALL CONNECTIONS PER MANUFACTURER'S INSTRUCTIONS.
- ALL ROOF TRUSS AND I-JOIST LAYOUTS SHALL BE PREPARED IN ACCORDANCE WITH THE SEALED STRUCTURAL DRAWINGS. TRUSSES AND I-JOISTS SHALL BE INSTALLED ACCORDING TO THE MANUFACTURER'S SPECIFICATIONS. ANY CHANGE IN TRUSS OR I-JOIST LAYOUT SHALL BE COORDINATED WITH SOUTHERN ENGINEERS.
- ALL STRUCTURAL STEEL SHALL BE ASTM A-36. STEEL BEAMS SHALL BE SUPPORTED AT EACH END WITH A MINIMUM BEARING LENGTH OF 3 1/2" INCHES AND FULL FLANGE WIDTH. PROVIDE SOLID BEARING FROM BEAM SUPPORT TO FOUNDATION. BEAMS SHALL BE ATTACHED TO EACH SUPPORT WITH TWO LAG SCREWS (1/2" DIAMETER x 4" LONG). LATERAL SUPPORT IS CONSIDERED ADEQUATE PROVIDING THE JOIST ARE TOE NAILED TO THE SOLE PLATE, AND SOLE PLATE IS NAILED OR BOLTED TO THE BEAM FLANGE @ 48" O.C. ALL STEEL TUBING SHALL BE ASTM A500.
- REBAR SHALL BE DEFORMED STEEL, ASTM#615, GRADE 60. LAP ALL REBAR SPLICES 30 BAR DIAMETERS.
- FLITCH BEAMS SHALL BE BOLTED TOGETHER USING (2) ROWS OF 1/2" DIAMETER BOLTS (ASTM A325) WITH WASHERS PLACED UNDER THE THREADED END OF BOLT. BOLTS SHALL BE SPACED AT 24" O.C. (MAX), AND STAGGERED AT THE TOP AND BOTTOM OF BEAM (2" EDGE DISTANCE), WITH 2 BOLTS LOCATED AT 6" FROM EACH END.
- BRICK LINTELS (WHEN REQUIRED) SHALL BE 3 1/2"x3 1/2"x14" STEEL ANGLE FOR UP TO 6'-0" SPAN AND 6"x4"x5/16" STEEL ANGLE WITH 6" LEG VERTICAL FOR SPANS UP TO 9'-0". SEE PLANS FOR SPANS OVER 9'-0". SEE ALSO SECTION RT03.0.3 LINTELS.



STRUCTURAL DESIGN BY:
SOUTHERN ENGINEERS, P.A.
3716 BENSON DRIVE RALEIGH, NC 27609
LICENSE: C-4772, PHONE: 919-878-1617
PROJECT #: 23-1268

- Engineers seal applies only to structural components on this document. Seal does not include construction means, methods, techniques, sequences, procedures or safety precautions.
- Any deviations or discrepancies on plans are to be brought to the immediate attention of Southern Engineers. Failure to do so will void Southern Engineer's liability.
- Seal is valid for a project permitted within one year from date of seal.
- Use of these plans constitutes approval of terms and conditions as defined in the customer agreement.

ALL DIMENSIONS, SITE CONDITIONS & CODES ARE TO BE VERIFIED BEFORE CONSTR. BEGINS. ONCE CONSTR. HAS BEGUN MURPHY GARNOW DESIGN GROUP, INC. WILL NOT ASSUME ANY LIABILITY FOR ANY EXPENSES ASSOCIATED WITH ERRORS & OMISSIONS.

MURPHY GARNOW DESIGN GROUP, INC.
1140-500 KILPAPE FARM ROAD
CARY, NORTH CAROLINA 27511
(919) 481-9115 FAX: (919) 481-6970
www.murphygarnowdesign.com

HALCYON HOMES
COTTON FARM
LOT #58

DRAWN BY: TUG
DATE: 2-22-10
FILE NAME: B1-2-2625

| REVISIONS | |
|-----------|-----------|
| 1-6-11 | TUG PLAN |
| 4-3-14 | TUG PLAN |
| 1-23-15 | TUG ELEV. |
| 2-4-15 | TUG ELEV. |
| 1-11-23 | TUG ELEV. |

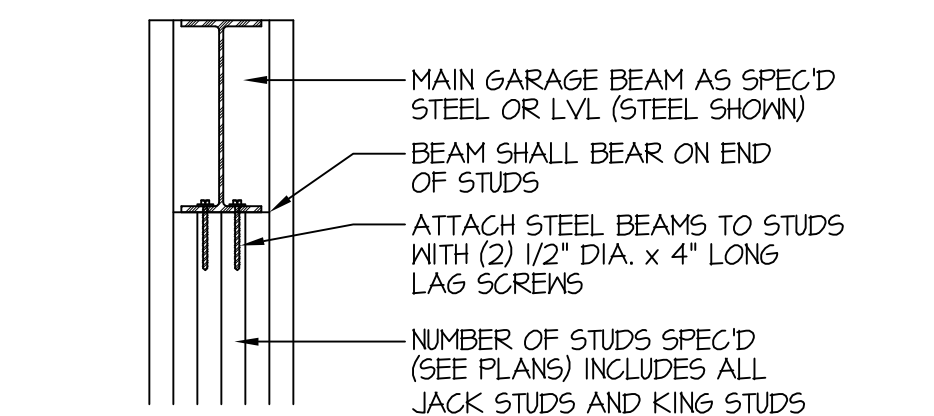
© COPYRIGHT 2023 MURPHY GARNOW DESIGN GROUP, INC. ALL RIGHTS RESERVED

HOUSE NAME:

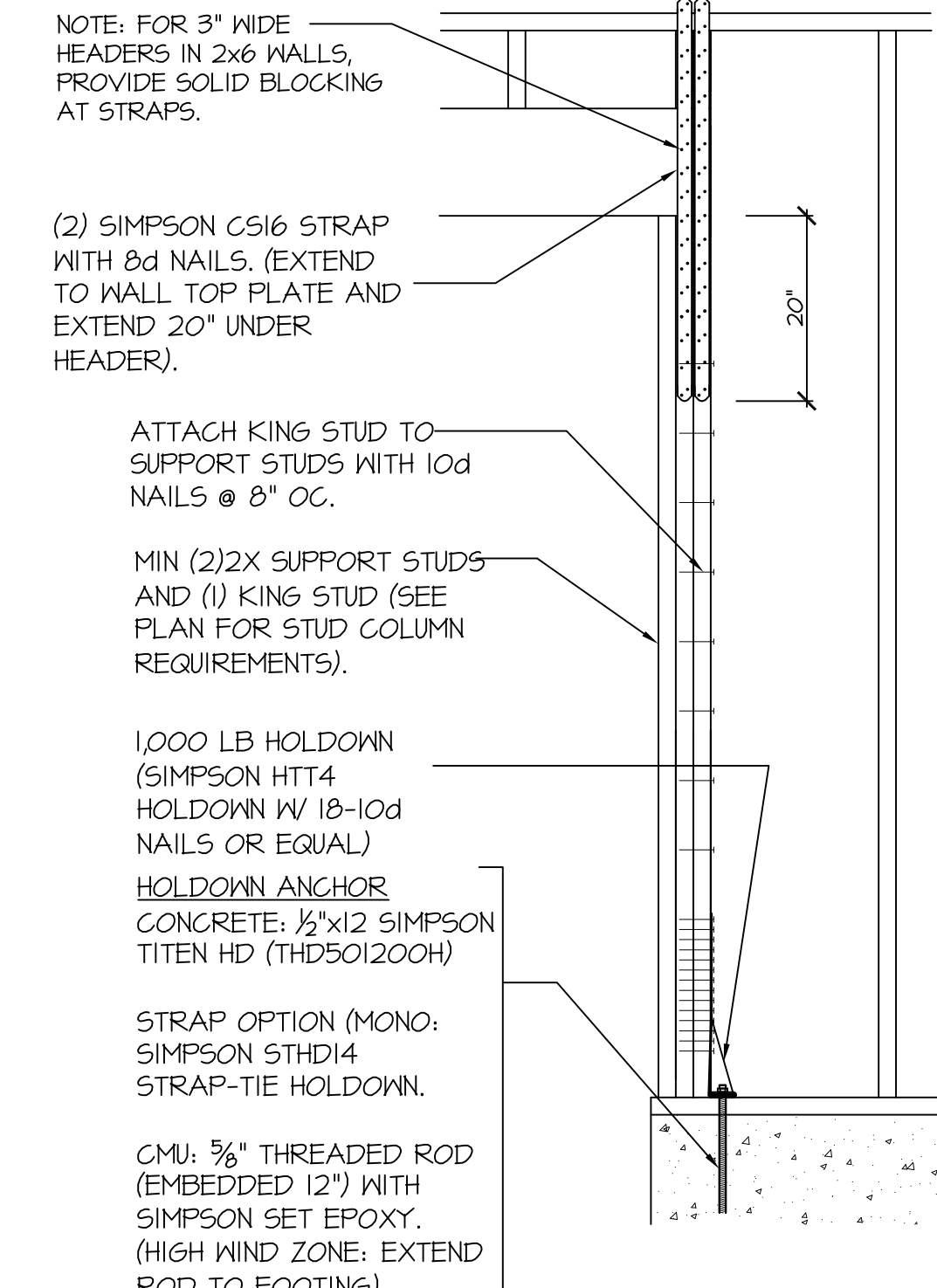
HOUSE NUMBER:

PAGE NUMBER:

SD



204A SD TYP. GARAGE BEAM BEARING NTS



402 SD END CONDITION DETAIL
(FOR USE WITH SINGLE APA PORTAL FRAME CONDITION) DETAIL AND APPLICATION BASED ON APA TT-100F WITH USE OF TABLE I FOR APA PORTAL FRAME WITH HOLD-DOWN CAPACITIES.