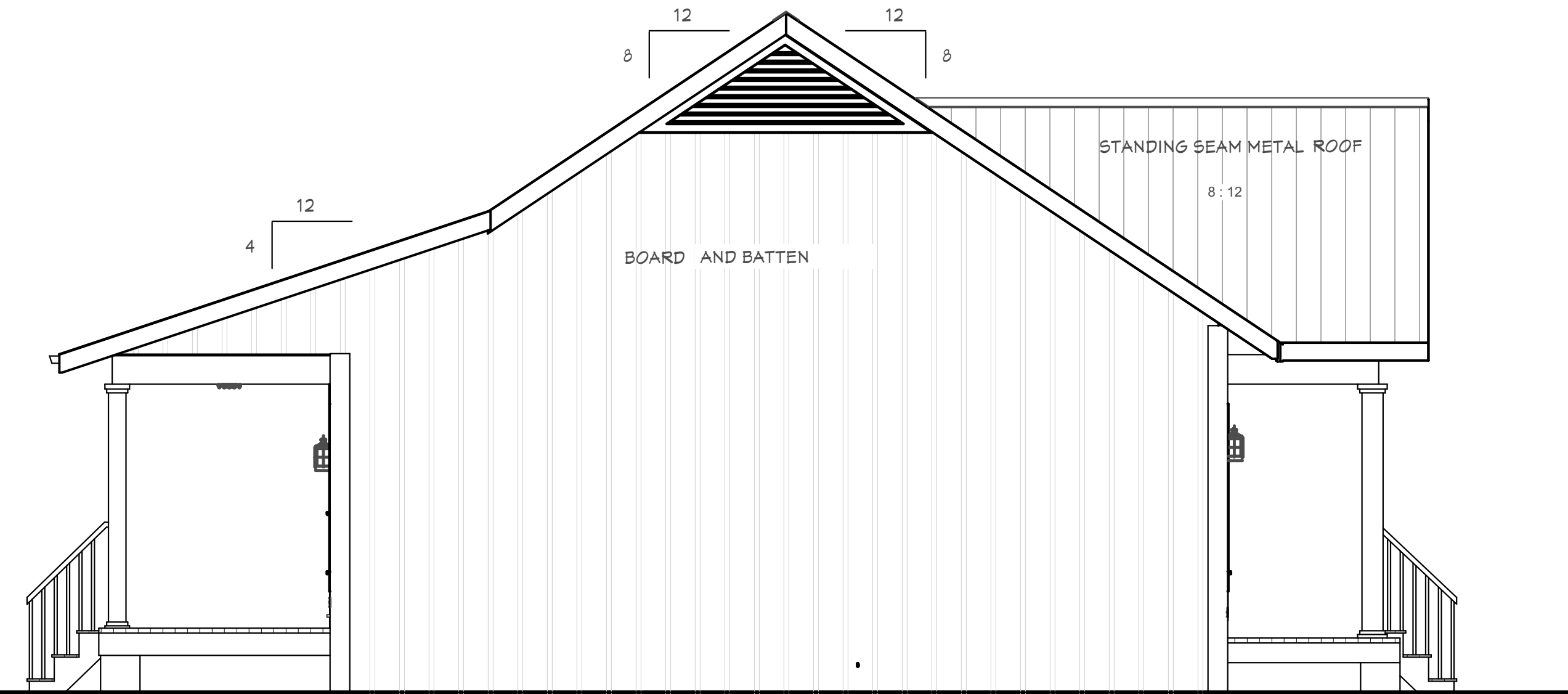


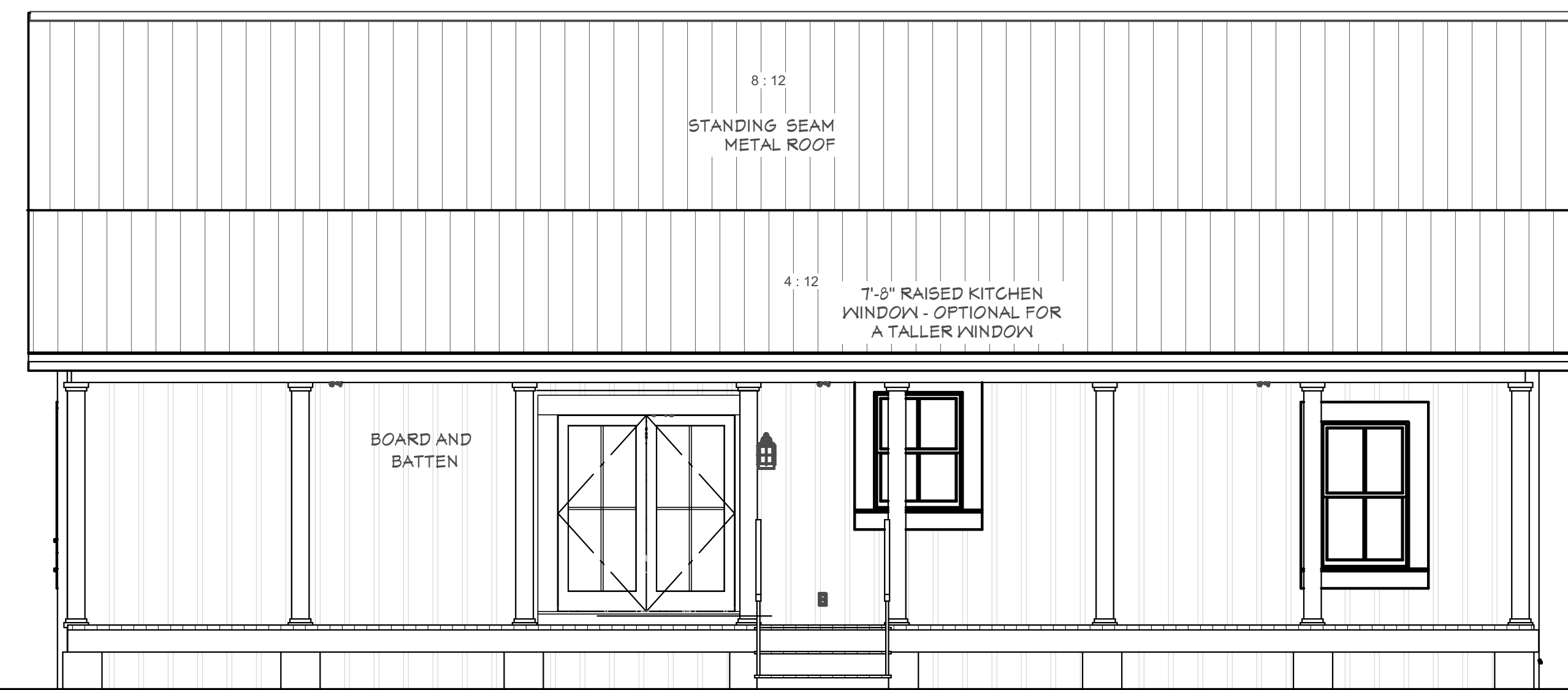
RIGHT ELEVATION



LEFT ELEVATION



FRONT ELEVATION



REAR ELEVATION

ELEVATION SHEET

NOTICE: ANY DISCREPANCIES, ERRORS AND/OR OMISSIONS IN THE NOTES, DIMENSIONS, AND/OR DRAWINGS CONTAINED ON THESE DOCUMENTS SHALL BE BROUGHT TO THE ATTENTION OF THE DESIGNER PRIOR TO THE COMMENCEMENT OF CONSTRUCTION. PRECEDING WITH CONSTRUCTION CONSTITUTES THE ACCEPTANCE OF THE DOCUMENTS AND ANY DISCREPANCIES, ERRORS AND/OR OMISSIONS BECOME THE RESPONSIBILITY OF THE BUILDING CONTRACTOR.



COPYRIGHT NOTICE

DesignHouse Inc. expressly reserves its copyright and all other rights to all ideas, designs, drawings, plans and specifications. These plans are NOT to be reproduced, changed or copied in any form or manner whatsoever, nor are they to be assigned to any third party, without first obtaining written permission and consent of DesignHouse Inc./ Debra Purvis. Clients rights are limited to a one-time use to construct a single house on a lot per contract.



RESIDENTIAL DESIGNERS

294 North Magnolia Drive
Niggins, MS 39457
601-928-3234



For God loved the world, that he gave his only begotten son, that whosoever believeth in him should not perish, but have everlasting life. -John 3:16

PLAN NUMBER

1502-RRR

Copyright - DesignHouse Inc.

07/01/2015

on Date noted above.

SCALE - 1/4"=1'-0"

SQUARE FT.

Heated Area 1500

Covered Porches
532

Area does not include Ext. Finishes

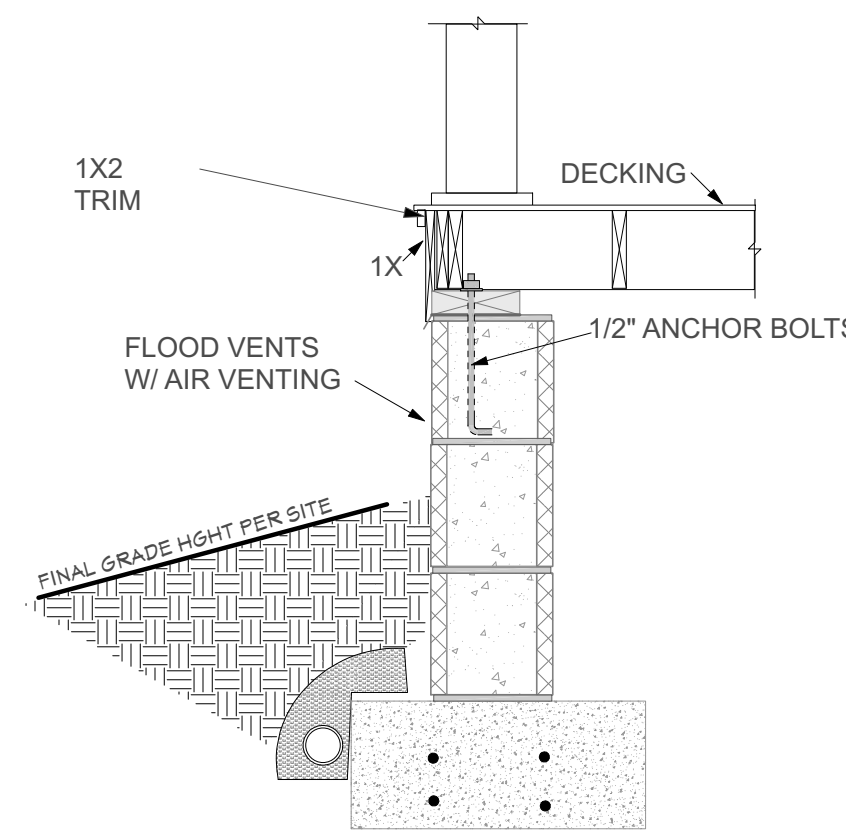
REVISIONS

DATE	REVISION MADE

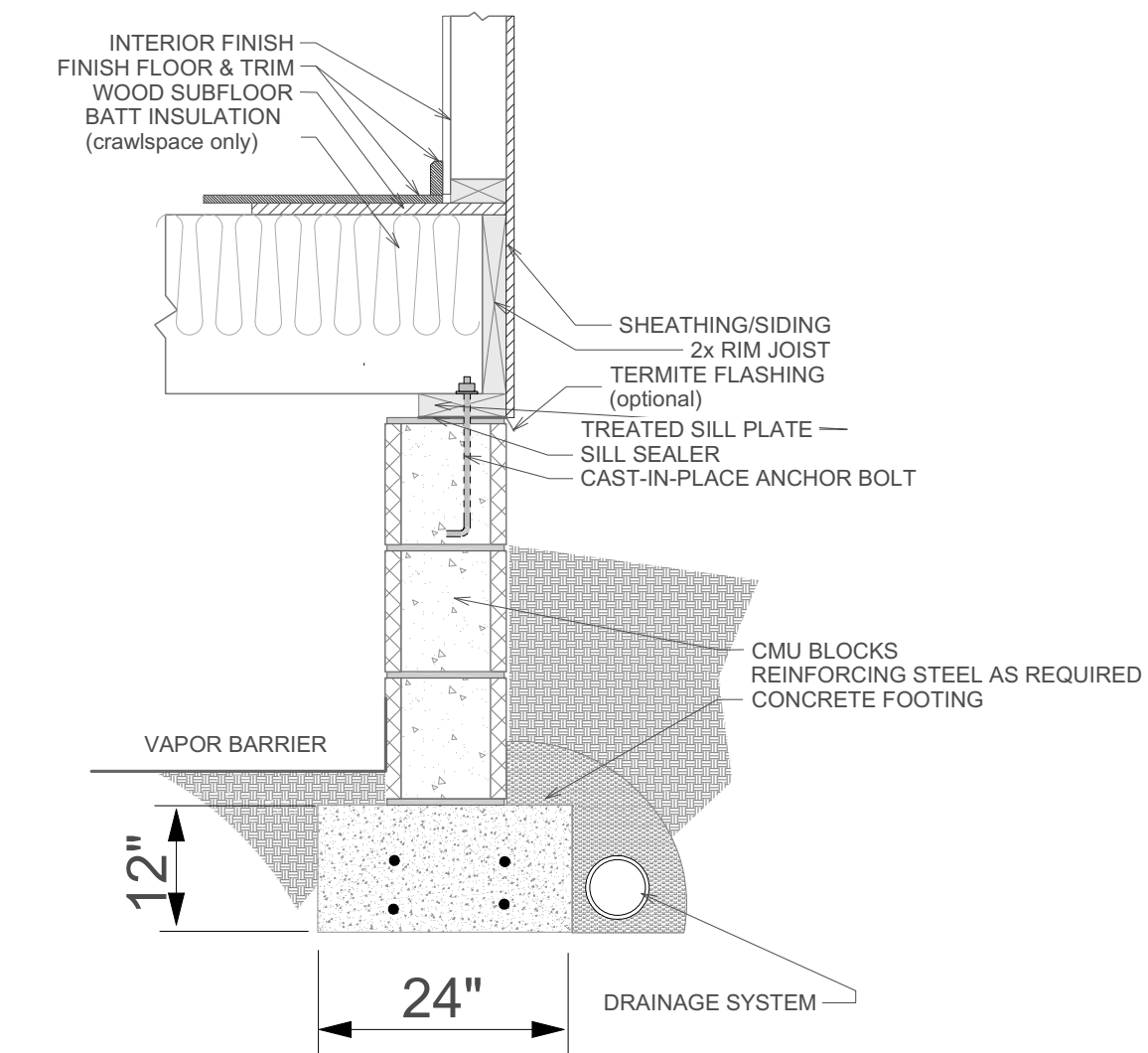
Table 2. Maximum Joist Spans (L_j)

Species	Size	Joist Spacing (o.c.)					
		Without Overhangs ¹			With Overhangs up to L _j /4 ²		
		12"	16"	24"	12"	16"	24"
Southern Pine	2x8	13' - 8"	12' - 5"	10' - 2"	10' - 9"	10' - 9"	10' - 2"
	2x10	17' - 5"	15' - 10"	13' - 1"	15' - 6"	15' - 6"	13' - 1"
	2x12	18' - 0"	18' - 0"	15' - 5"	18' - 0"	18' - 0"	15' - 5"
Douglas Fir-Larch, Hem-Fir, SPF ³	2x8	12' - 6"	11' - 1"	9' - 1"	9' - 5"	9' - 5"	9' - 1"
	2x10	15' - 8"	13' - 7"	11' - 1"	13' - 7"	13' - 7"	11' - 1"
	2x12	18' - 0"	15' - 9"	12' - 10"	18' - 0"	15' - 9"	12' - 10"
Redwood, Western Cedars, Ponderosa Pine ⁴ , Red Pine ⁴	2x8	11' - 8"	10' - 7"	8' - 8"	8' - 6"	8' - 6"	8' - 6"
	2x10	14' - 11"	13' - 0"	10' - 7"	12' - 3"	12' - 3"	10' - 7"
	2x12	17' - 5"	15' - 1"	12' - 4"	16' - 5"	15' - 1"	12' - 4"

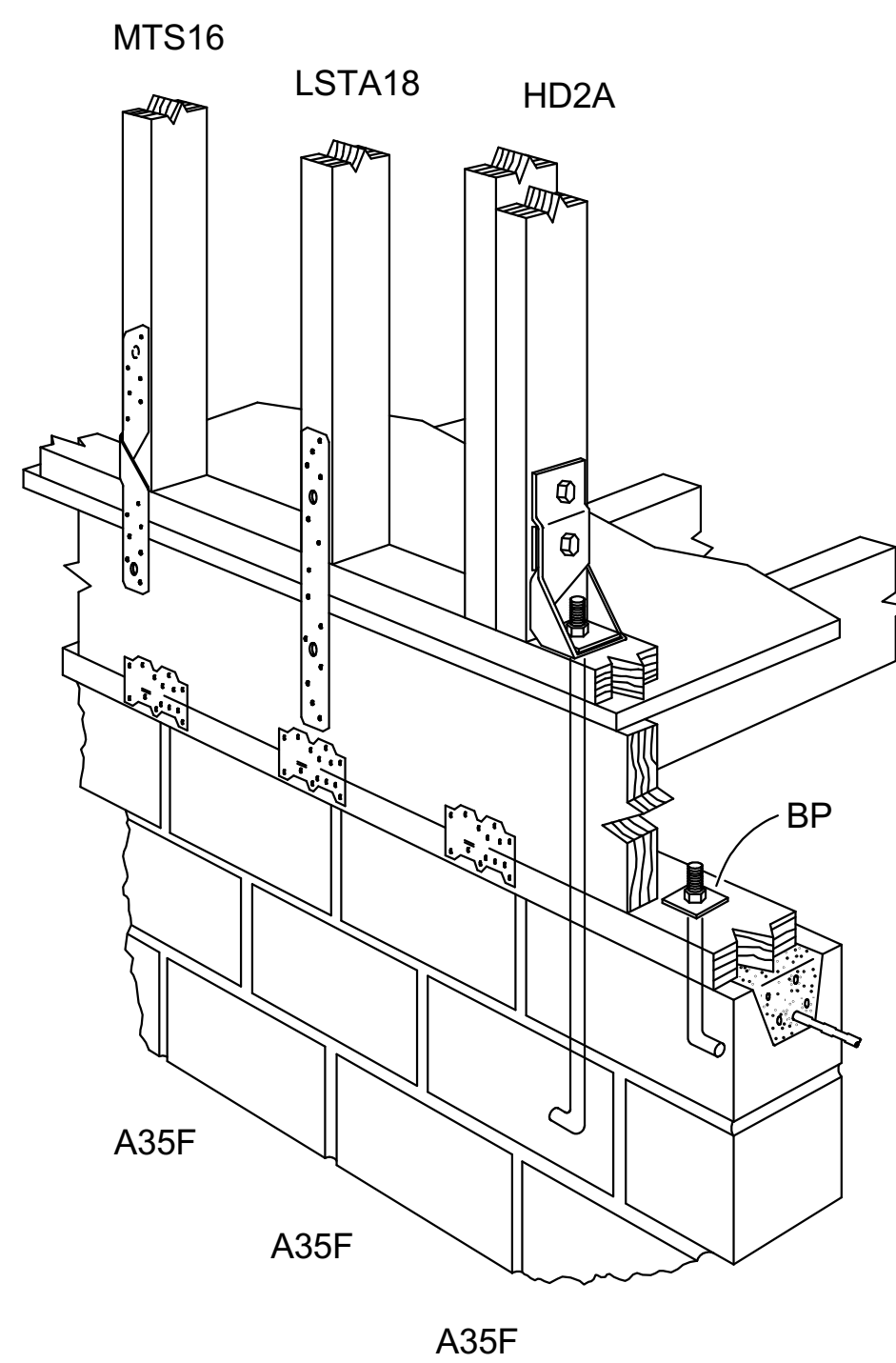
1. Assumes 40 psf live load, 10 psf dead load, L/360 deflection, No. 2 grade, and wet service conditions. See Figure 1B.
 2. Assumes 40 psf live load, 10 psf dead load, L/180 cantilever deflection with 220 lb point load, No. 2 grade, and wet service conditions. See Figure 1A and Figure 2.
 3. Incising assumed for refractory species including Douglas fir-larch, hem-fir, and spruce-pine-fir.
 4. Design values based on northern species with no incising assumed.



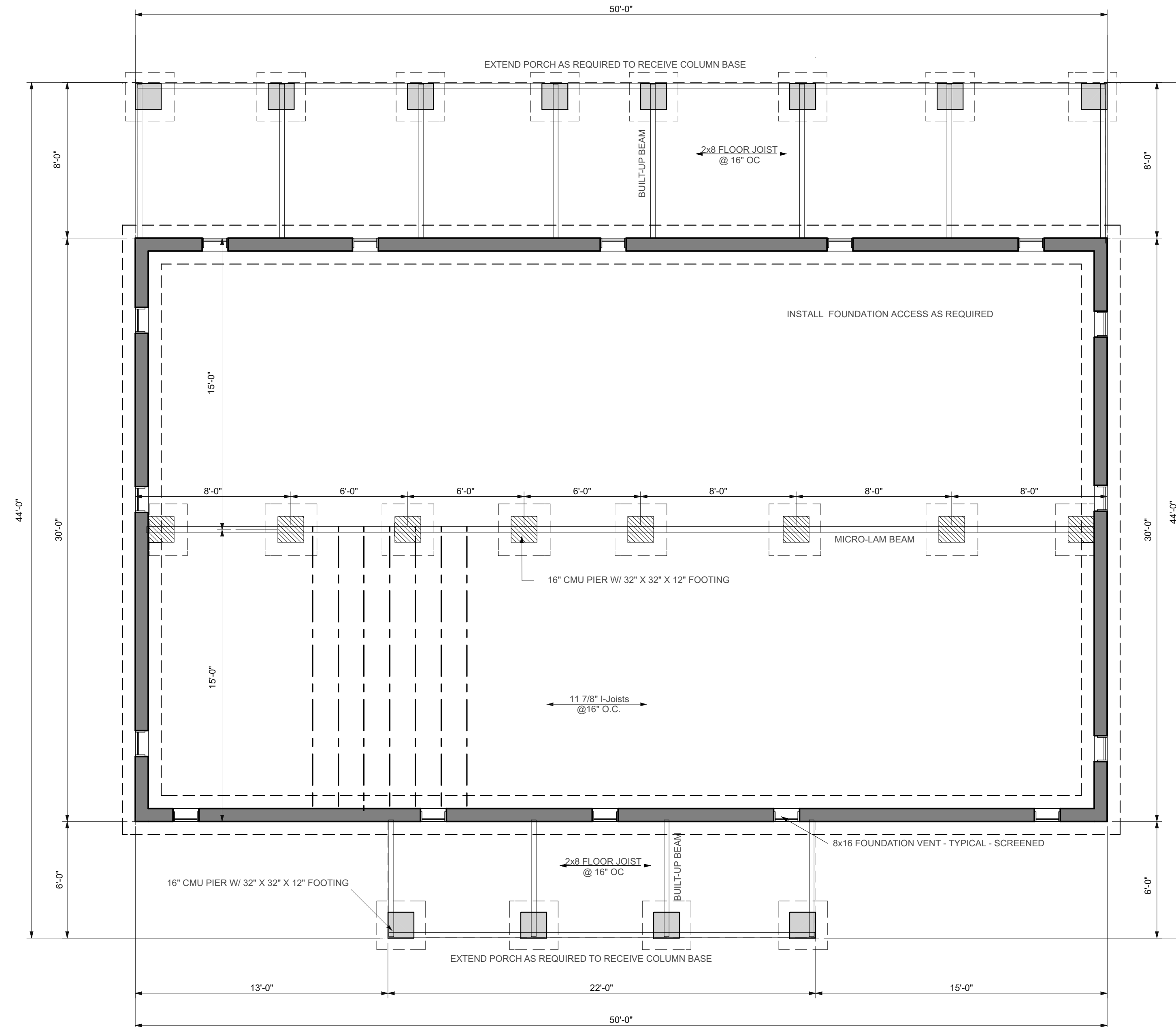
Typical Porch Detail - NTS



Typical CMU Crawl Space



Simpson Strong-Tie Floor-to-Floor Connections



CRAWL SPACE FOUNDATION

NOTICE: ANY DISCREPANCIES, ERRORS AND/OR OMISSIONS IN THE NOTES, DIMENSIONS, AND/OR DRAWINGS CONTAINED ON THESE DOCUMENTS SHALL BE BROUGHT TO THE ATTENTION OF THE DESIGNER PRIOR TO THE COMMENCEMENT OF CONSTRUCTION. PRECEDING WITH CONSTRUCTION CONSTITUTES THE ACCEPTANCE OF THE DOCUMENTS AND ANY DISCREPANCIES, ERRORS AND/OR OMISSIONS BECOME THE RESPONSIBILITY OF THE BUILDING CONTRACTOR.



COPYRIGHT NOTICE

DesignHouse Inc. expressly reserves its copyright and all other rights to all ideas, designs, drawings, plans and specifications. These plans are NOT to be reproduced, changed or copied in any form or manner whatsoever, nor are they to be assigned to any third party, without first obtaining written permission and consent of DesignHouse Inc./ Debra Purvis. Clients rights are limited to a one-time use to construct a single house on a lot per contract.



RESIDENTIAL DESIGNERS
 224 North Magnolia Drive
 Niggins, MS 39457
 601-928-3234



For God loved the world, that he gave his only begotten son, that whosoever believeth in him should not perish, but have everlasting life. -John 3:16

PLAN NUMBER

1502

Copyright - DesignHouse Inc.
 07/01/2015
 on Date noted above.

SCALE - 1/4"=1'-0"

SQUARE FT.

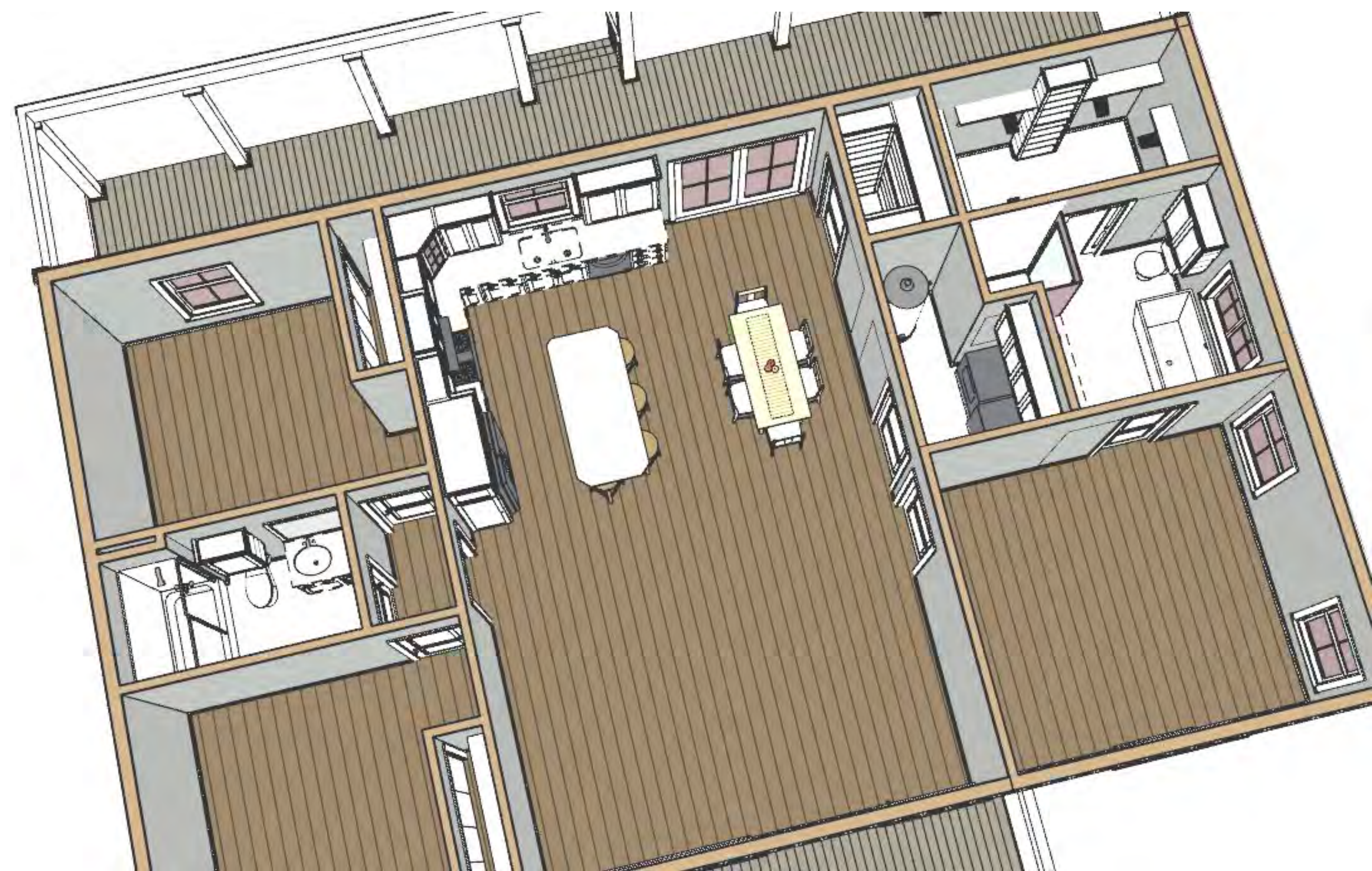
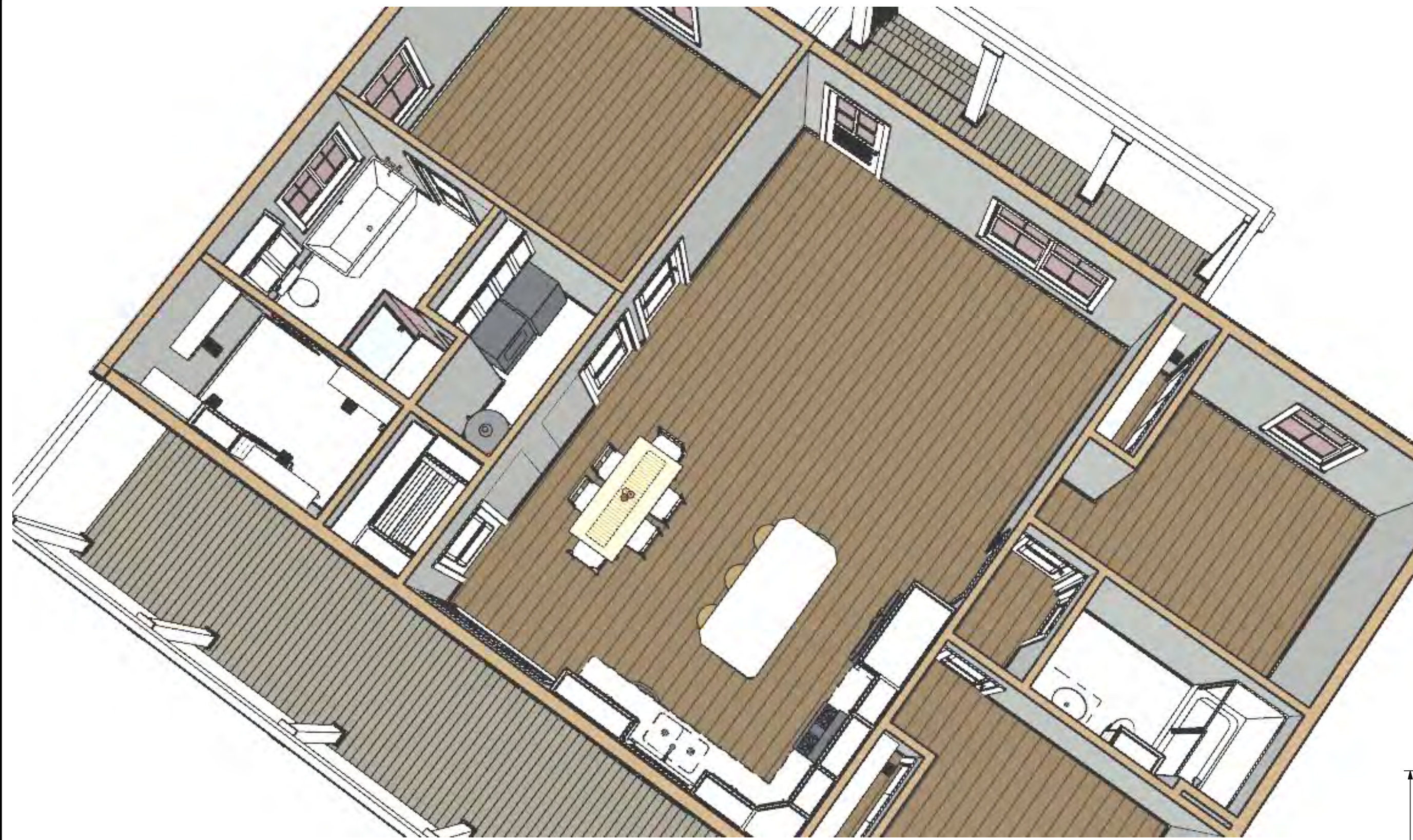
Heated Area 1500

Covered Porches 532

Area does not include Ext. Finishes

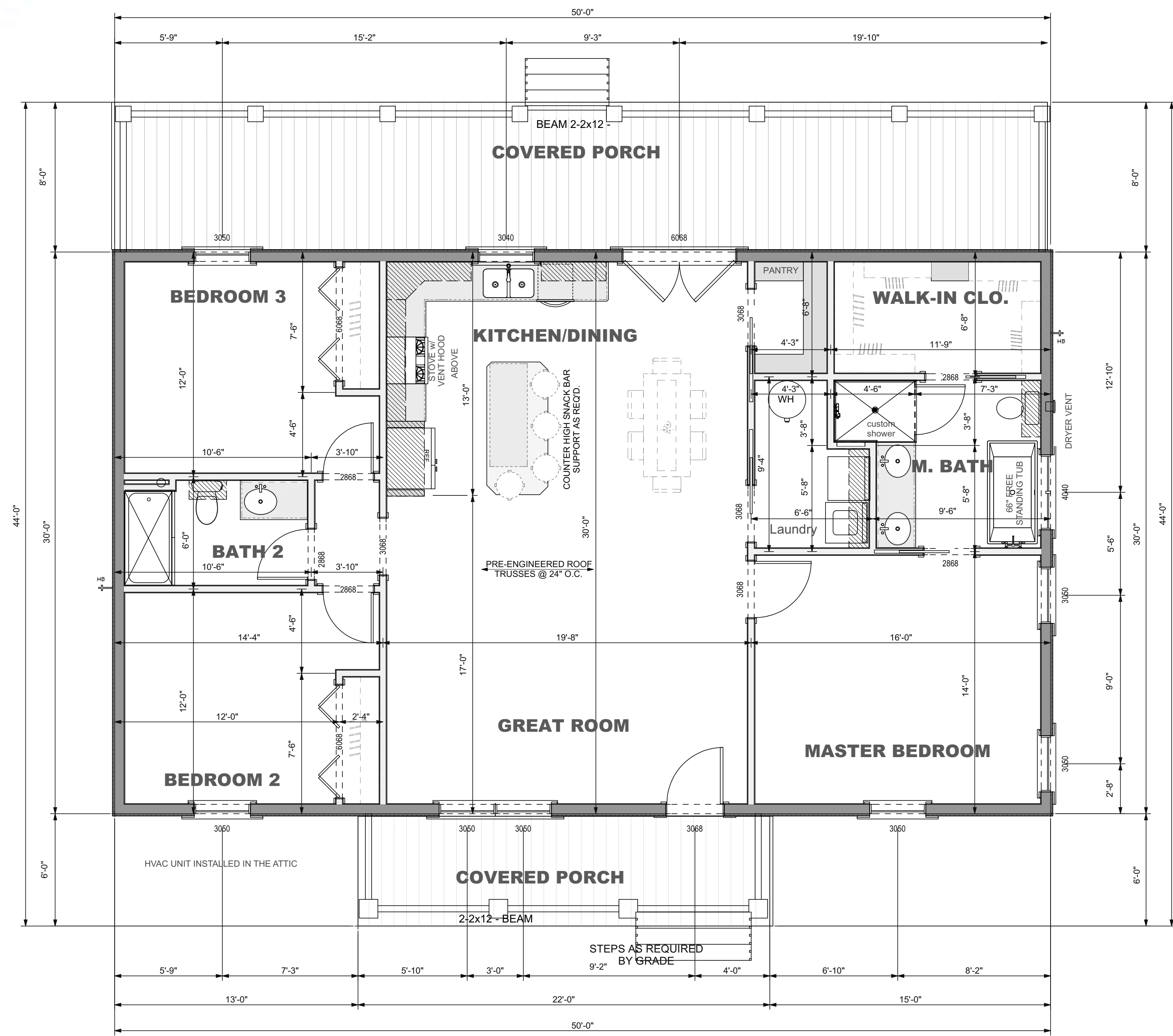
REVISIONS

DATE	REVISION MADE



DOOR SCHEDULE			
QTY	SIZE	DIMENSIONS	DESCRIPTION
2	2868	32"X80"X1 3/8"	POCKET-2 PANEL DOOR
2	3068	36"X80"X1 3/8"	POCKET-2 PANEL DOOR
1	3068	36"X80"X1 3/8"	DOORWAY
3	2868	32"X80"X1 3/8"	HINGED-2 PANEL DOOR
1	3068	36"X80"X1 3/8"	HINGED-2 PANEL DOOR
2	6068	(4) 18"X80"X1 3/8"	4 DR. BIFOLD-SLAB
1	6068	(2) 36"X80"X1 3/4"	EXT. DOUBLE HINGED-GLASS PANEL
1	3068	36"X80"X1 3/4"	EXT. HINGED-DOOR EOP

WINDOW SCHEDULE			
QTY	SIZE	DIMENSIONS	DESCRIPTION
1	1616	116"X16"	FIXED GLASS
1	3040	36"X48"	SINGLE HUNG
7	3050	36"X60"	SINGLE HUNG
1	4040	48"X48"	DOUBLE CASEMENT-LHL/RHR



FLOOR PLAN SHEET

NOTICE: ANY DISCREPANCIES, ERRORS AND/OR OMISSIONS IN THE NOTES, DIMENSIONS, AND/OR DRAWINGS CONTAINED ON THESE DOCUMENTS SHALL BE BROUGHT TO THE ATTENTION OF THE DESIGNER PRIOR TO THE COMMENCEMENT OF CONSTRUCTION. PRECEDING WITH CONSTRUCTION CONSTITUTES THE ACCEPTANCE OF THE DOCUMENTS AND ANY DISCREPANCIES, ERRORS AND/OR OMISSIONS BECOME THE RESPONSIBILITY OF THE BUILDING CONTRACTOR.



COPYRIGHT NOTICE

DesignHouse Inc. expressly reserves its copyright and all other rights to all ideas, designs, drawings, plans and specifications. These plans are NOT to be reproduced, changed or copied in any form or manner whatsoever, nor are they to be assigned to any third party, without first obtaining written permission and consent of DesignHouse Inc./ Debra Purvis. Clients rights are limited to a one-time use to construct a single house on a lot per contract.



RESIDENTIAL DESIGNERS
 294 North Magnolia Drive
 N. Higgins, MS 39457
 601-928-3234



PLAN NUMBER

1502

Copyright - DesignHouse Inc.
 07/01/2015
 on Date noted above.

SCALE - 1/4"=1'-0"

SQUARE FT.

Heated Area 1500
 Covered Porches 532

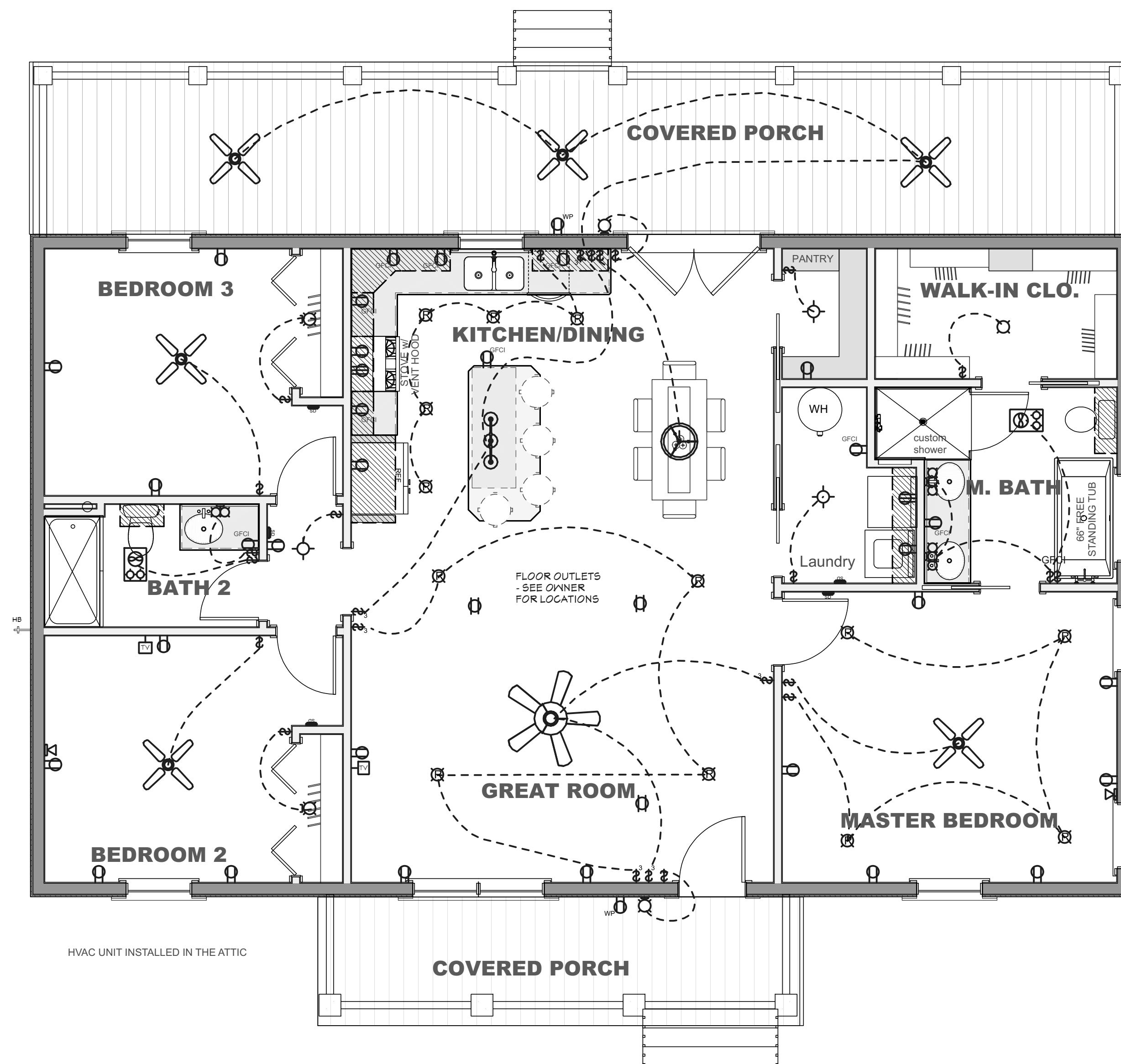
REVISIONS

DATE	REVISION MADE

NOTE:

- INSTALL SECURITY SYSTEM AS PER OWNERS SPECIFICATIONS
- INSTALL CENTRAL VAC SYSTEM AS REQUIRED TO ACCESS ALL AREAS OF THE HOME
- INSTALL SMOKE DETECTORS IN EACH BEDROOM AND IN HALLS LEADING TO SAID BEDROOMS
- INSTALL AFCI OUTLETS IN ALL BEDROOMS
- VERIFY FLOOR OUTLET LOCATIONS WITH HOMEOWNER
- CONSULT HOMEOWNER FOR LOCATION OF ELECTRICAL PANEL
- KITCHEN** - INSTALL ACCENT LIGHTING ABOVE WALL CABINETS. SWITCH LOCATION AS PER OWNERS REQUIREMENTS.
- LIVING ROOM** - INSTALL ACCENT LIGHTING ABOVE WALL CABINETS. SWITCH LOCATION AS PER OWNERS REQUIREMENTS.

DESCRIPTION	SYMBOL
Ceiling Fan	
Ventilation Fans: Ceiling Mounted, Wall Mounted	
Ceiling Mounted Light Fixtures: Surface/Pendant, Recessed, Heat Lamp, Low Voltage	
Wall Mounted Light Fixtures: Flush Mounted, Wall Sconce	
Chandelier Light Fixture	
Fluorescent Light Fixture	
240V Receptacle	
110V Receptacles: Duplex, Weather Proof, GFCI	
Switches: Single Pole, Weather Proof, 3-Way, 4-Way	
Switches: Dimmer, Timer	
Audio Video: Control Panel, Switch	
Speakers: Ceiling Mounted, Wall Mounted	
Wall Jacks: CAT5, CAT5 + TV, TV/Cable	
Telephone Jack	
Intercom	
Thermostat	
Door Chime, Door Bell Button	
Smoke Detectors: Ceiling Mounted, Wall Mounted	
Electrical Breaker Panel	



ELECTRICAL SHEET

NOTICE: ANY DISCREPANCIES, ERRORS AND/OR OMISSIONS IN THE NOTES, DIMENSIONS, AND/OR DRAWINGS CONTAINED ON THESE DOCUMENTS SHALL BE BROUGHT TO THE ATTENTION OF THE DESIGNER PRIOR TO THE COMMENCEMENT OF CONSTRUCTION. PRECEDING WITH CONSTRUCTION CONSTITUTES THE ACCEPTANCE OF THE DOCUMENTS AND ANY DISCREPANCIES, ERRORS AND/OR OMISSIONS BECOME THE RESPONSIBILITY OF THE BUILDING CONTRACTOR.



COPYRIGHT NOTICE

DesignHouse Inc. expressly reserves its copyright and all other rights to all ideas, designs, drawings, plans and specifications. These plans are NOT to be reproduced, changed or copied in any form or manner whatsoever, nor are they to be assigned to any third party, without first obtaining written permission and consent of DesignHouse Inc./ Debra Purvis. Clients rights are limited to a one-time use to construct a single house on a lot per contract.



RESIDENTIAL DESIGNERS
 294 North Magnolia Drive
 Niggins, MS 39477
 601-928-3234



PLAN NUMBER

1502

Copyright - DesignHouse Inc.
 07/01/2015
 on Date noted above.

SCALE - 1/4"=1'-0"

SQUARE FT.

Heated Area 1500

Covered Porches 532

Area does not Including Ext. Finishes

REVISIONS

DATE	REVISION MADE

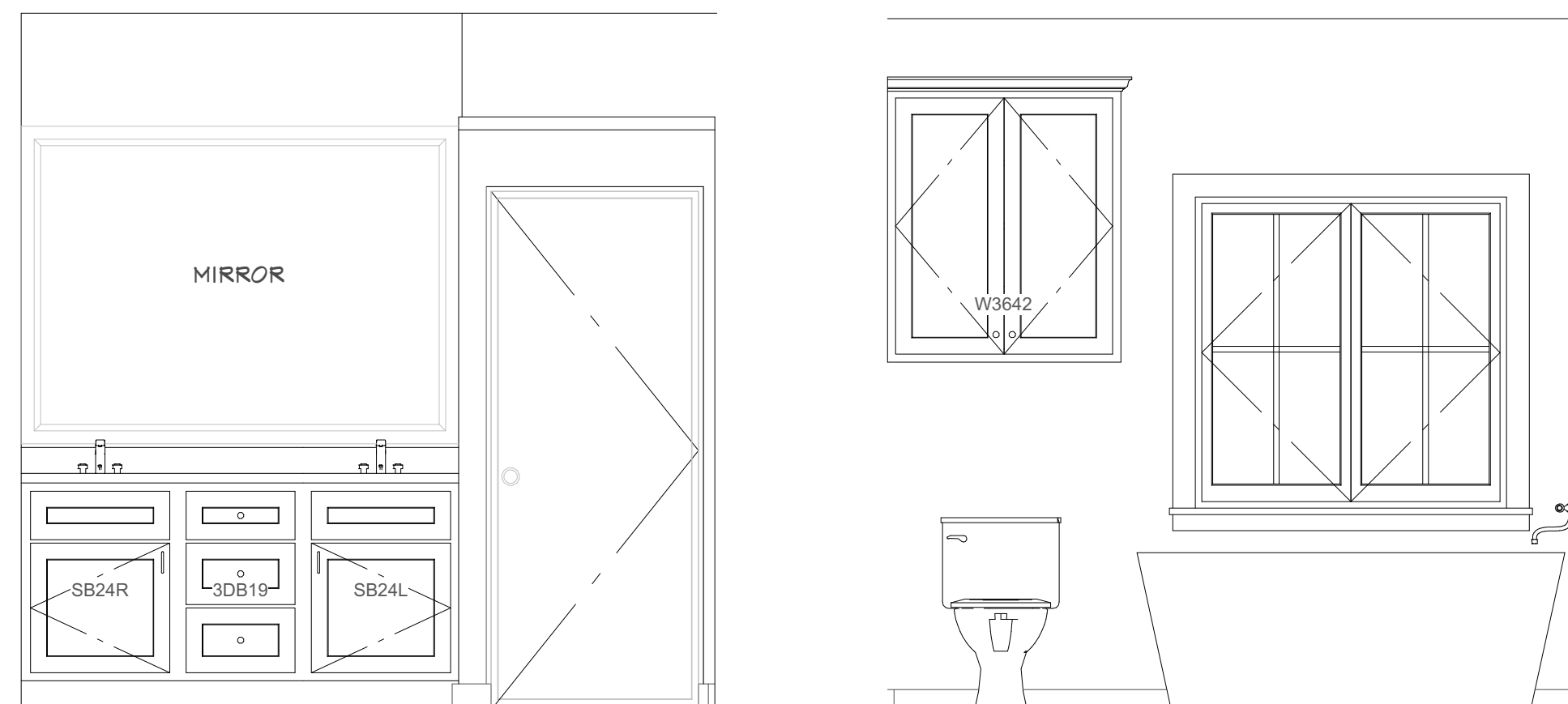
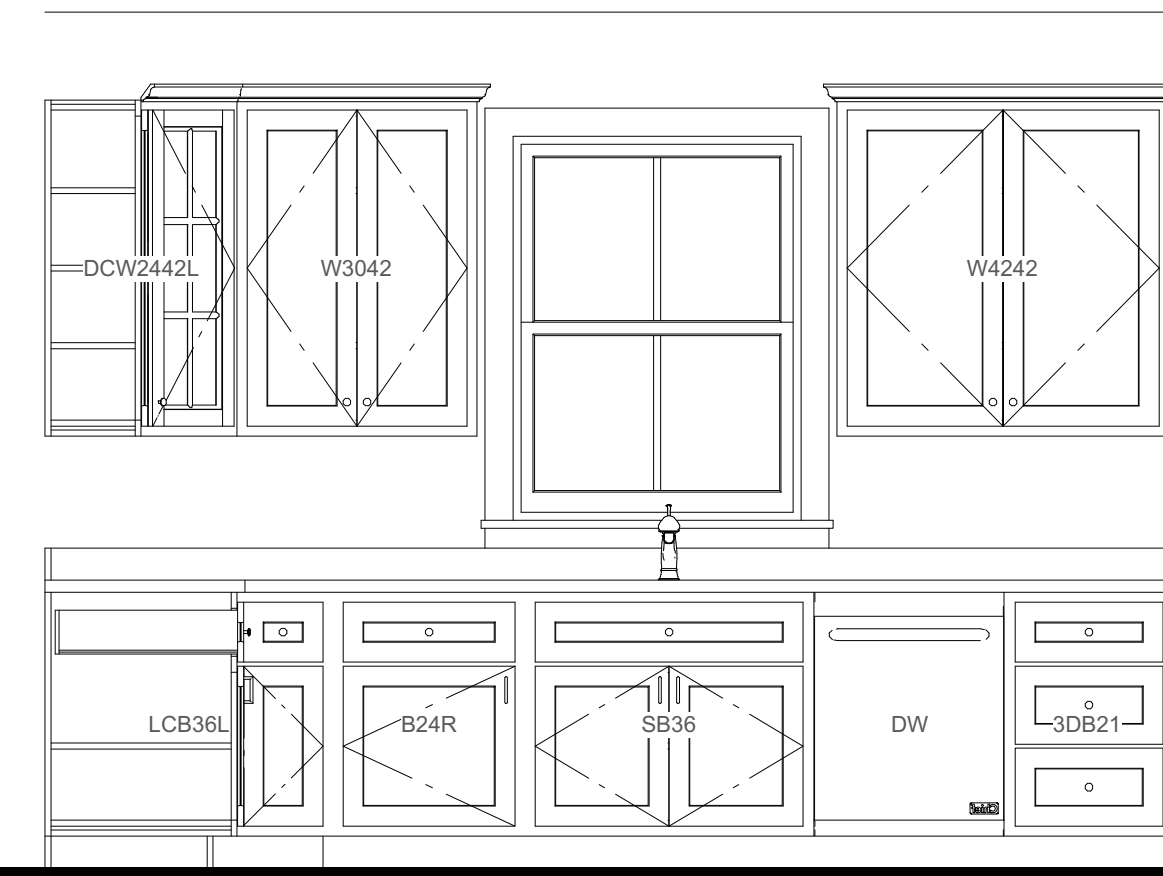
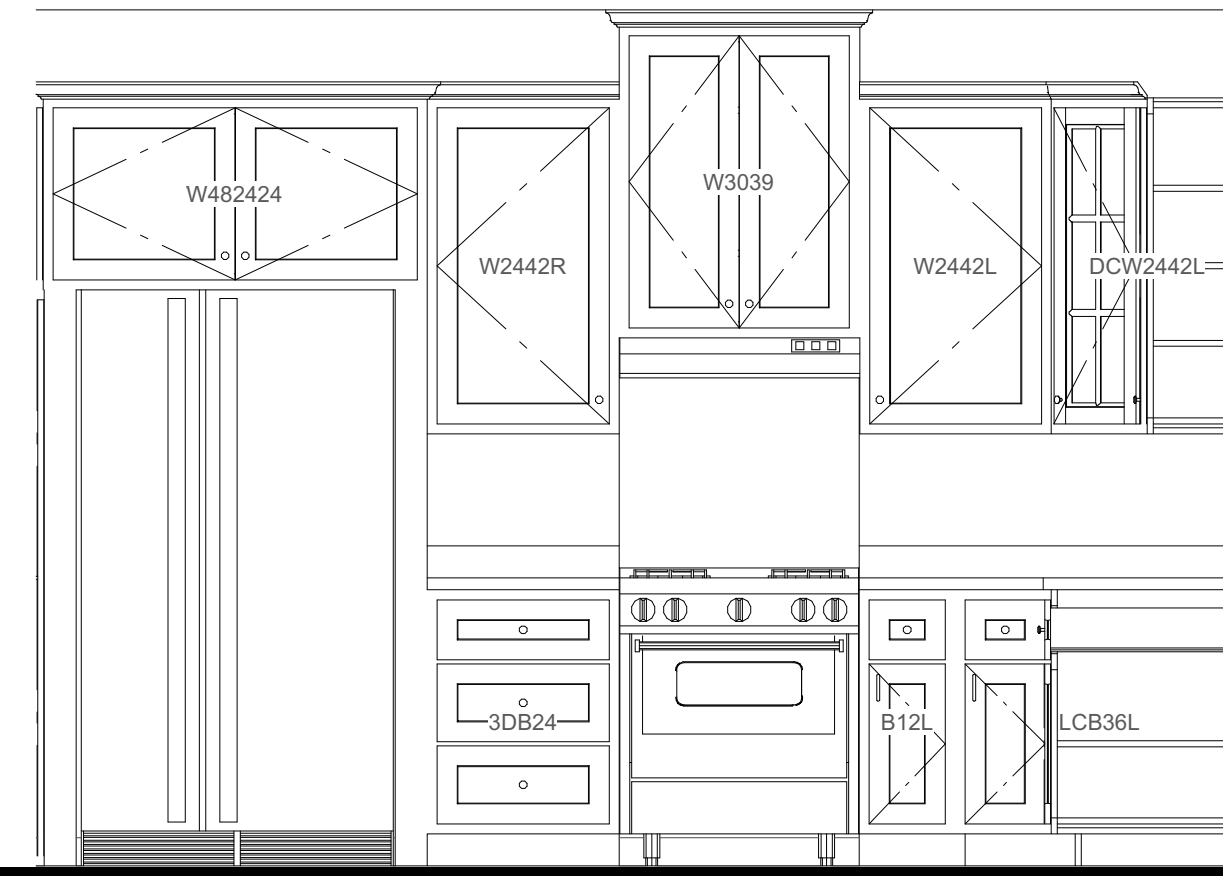
KITCHEN

ISLAND - SUPPORT EXTENDED END AS REQUIRED.

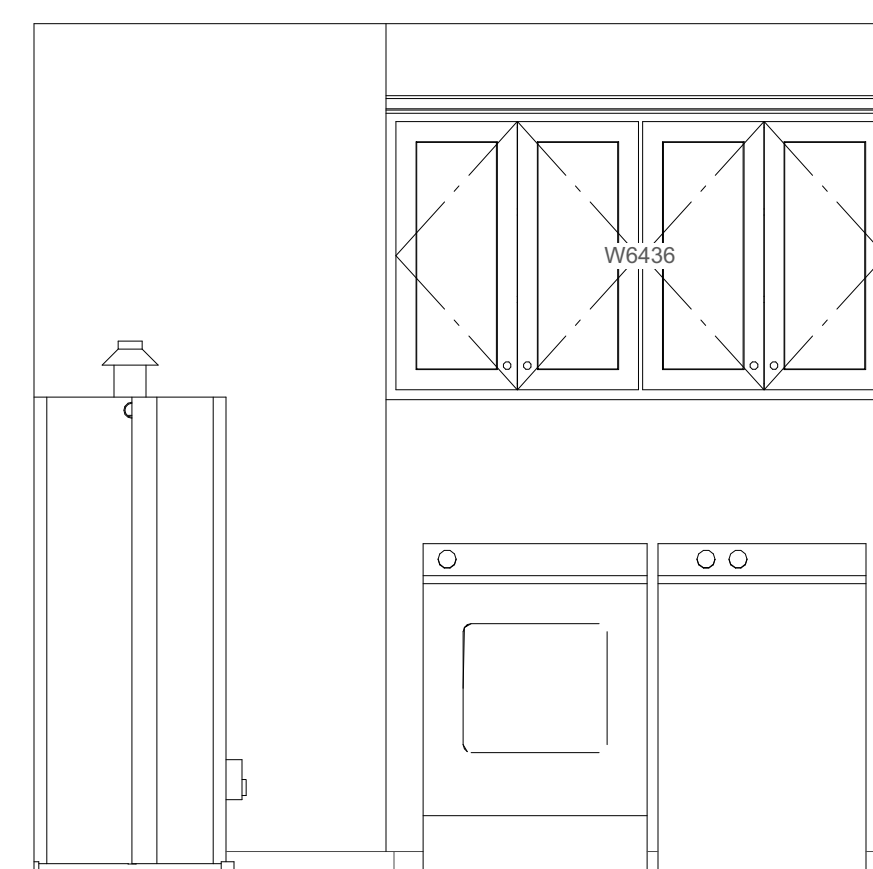
extend counter for counter high snack bar support as req'd



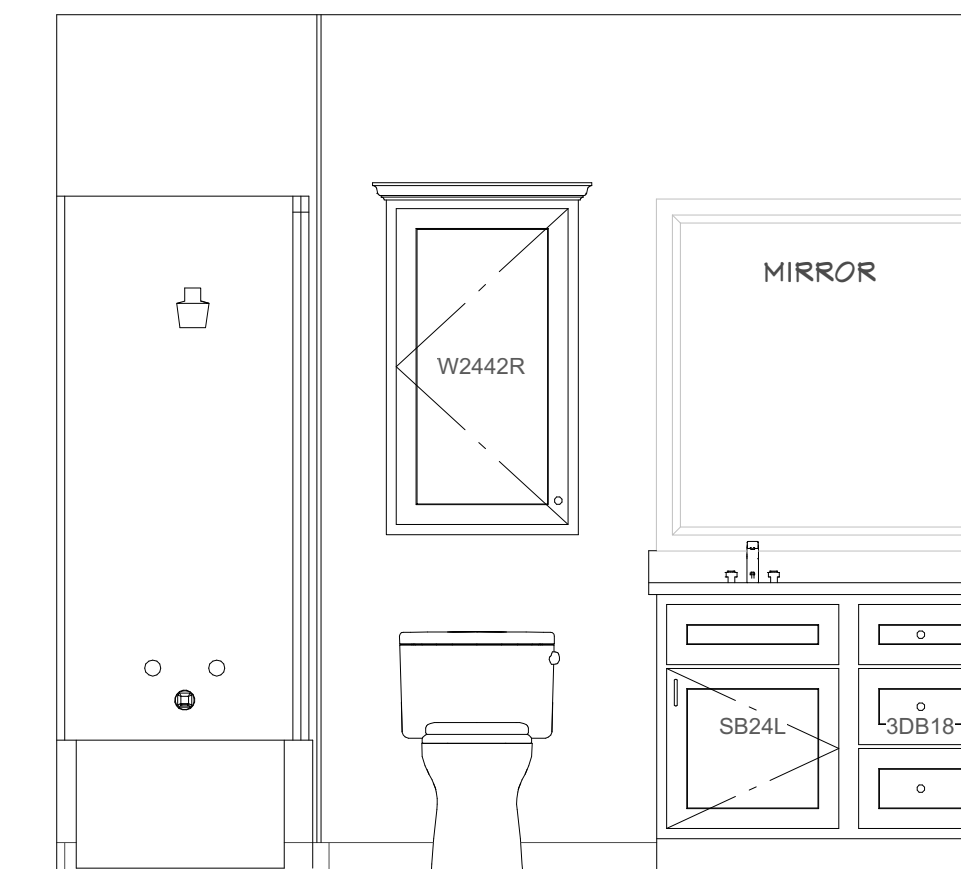
LEFT SIDE OF REF.



MASTER BATH



LAUNDRY



BATH 2



MILLWORK SHEET

NOTICE: ANY DISCREPANCIES, ERRORS AND/OR OMISSIONS IN THE NOTES, DIMENSIONS, AND/OR DRAWINGS CONTAINED ON THESE DOCUMENTS SHALL BE BROUGHT TO THE ATTENTION OF THE DESIGNER PRIOR TO THE COMMENCEMENT OF CONSTRUCTION. PRECEDING WITH CONSTRUCTION CONSTITUTES THE ACCEPTANCE OF THE DOCUMENTS AND ANY DISCREPANCIES, ERRORS AND/OR OMISSIONS BECOME THE RESPONSIBILITY OF THE BUILDING CONTRACTOR.



COPYRIGHT NOTICE

DesignHouse Inc. expressly reserves its copyright and all other rights to all ideas, designs, drawings, plans and specifications. These plans are NOT to be reproduced, changed or copied in any form or manner whatsoever, nor are they to be assigned to any third party, without first obtaining written permission and consent of DesignHouse Inc./ Debra Purvis. Clients rights are limited to a one-time use to construct a single house on a lot per contract.



RESIDENTIAL DESIGNERS
294 North Magnolia Drive
Niggins, MS 39457
601-928-3234



PLAN NUMBER

1502

Copyright - DesignHouse Inc.
07/01/2015
on Date noted above.

SCALE - 1/2"=1'-0"

SQUARE FT.

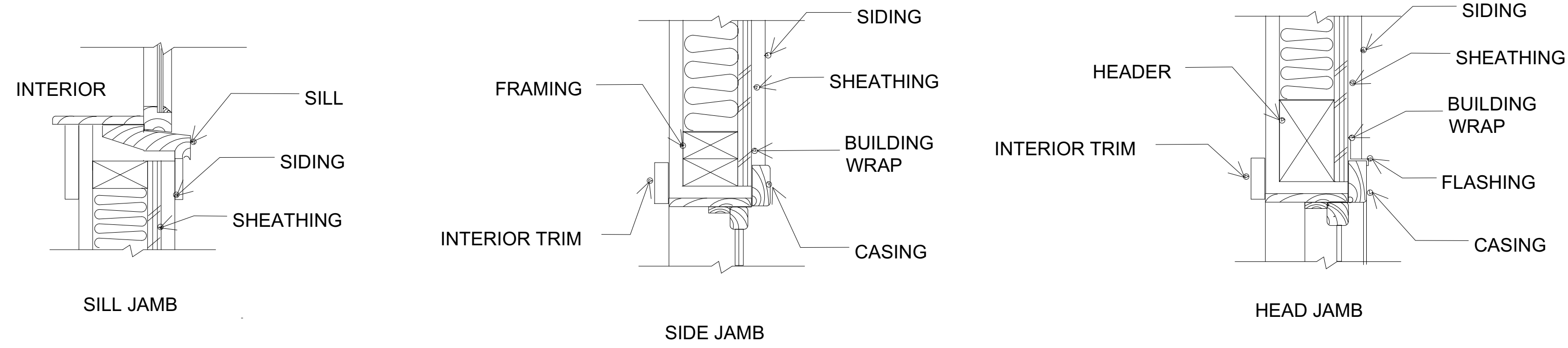
Heated Area 1500

Covered Porches 532

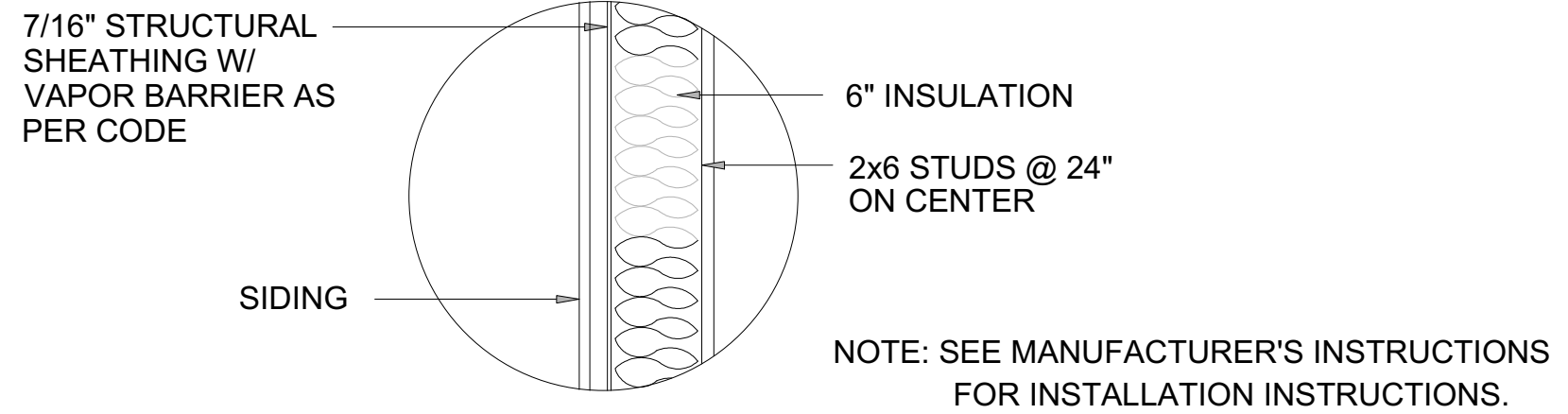
Area does not Including Ext. Finishes

REVISIONS

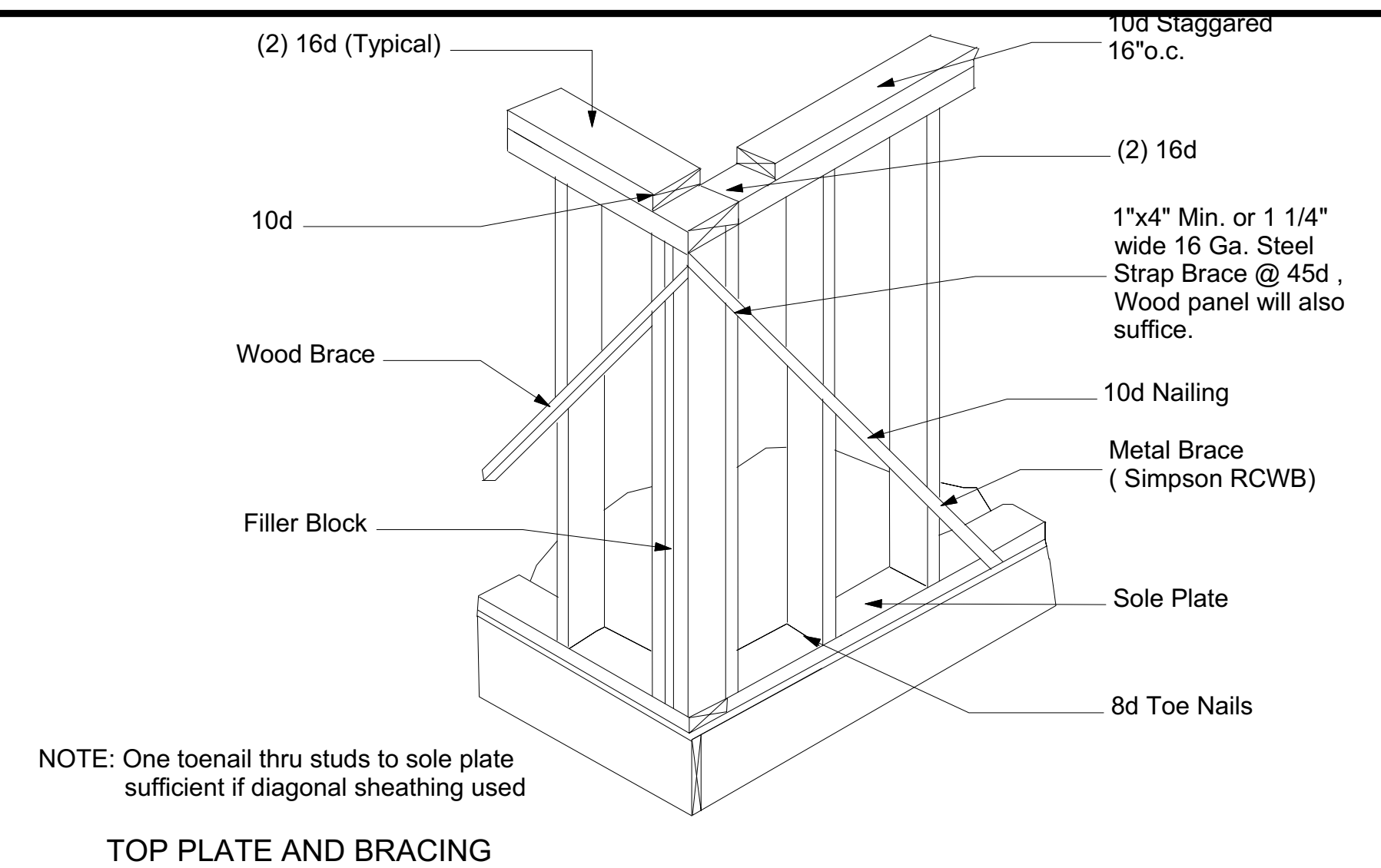
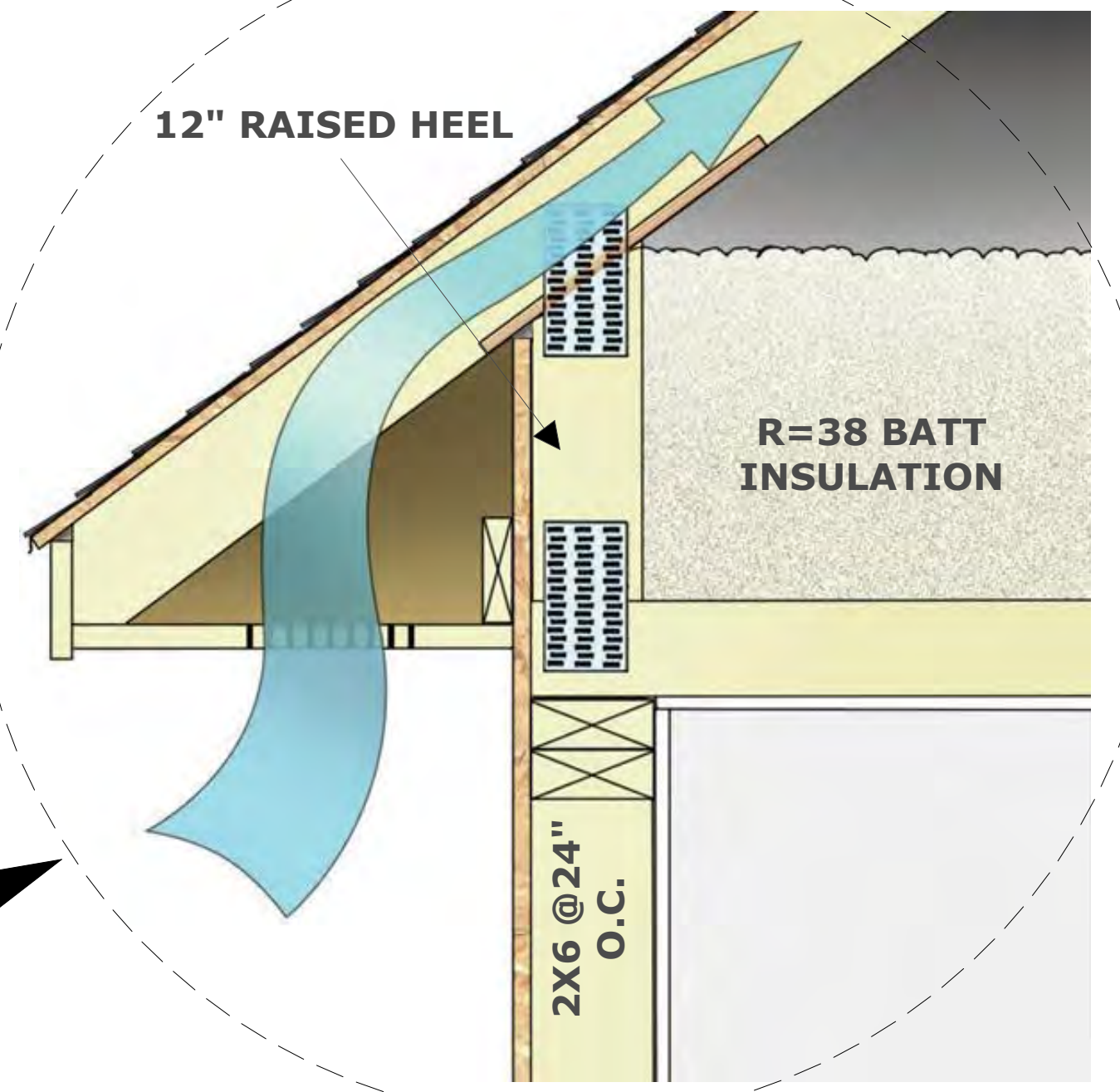
DATE REVISION MADE



TYPICAL WOODEN WINDOWS-JAMBS



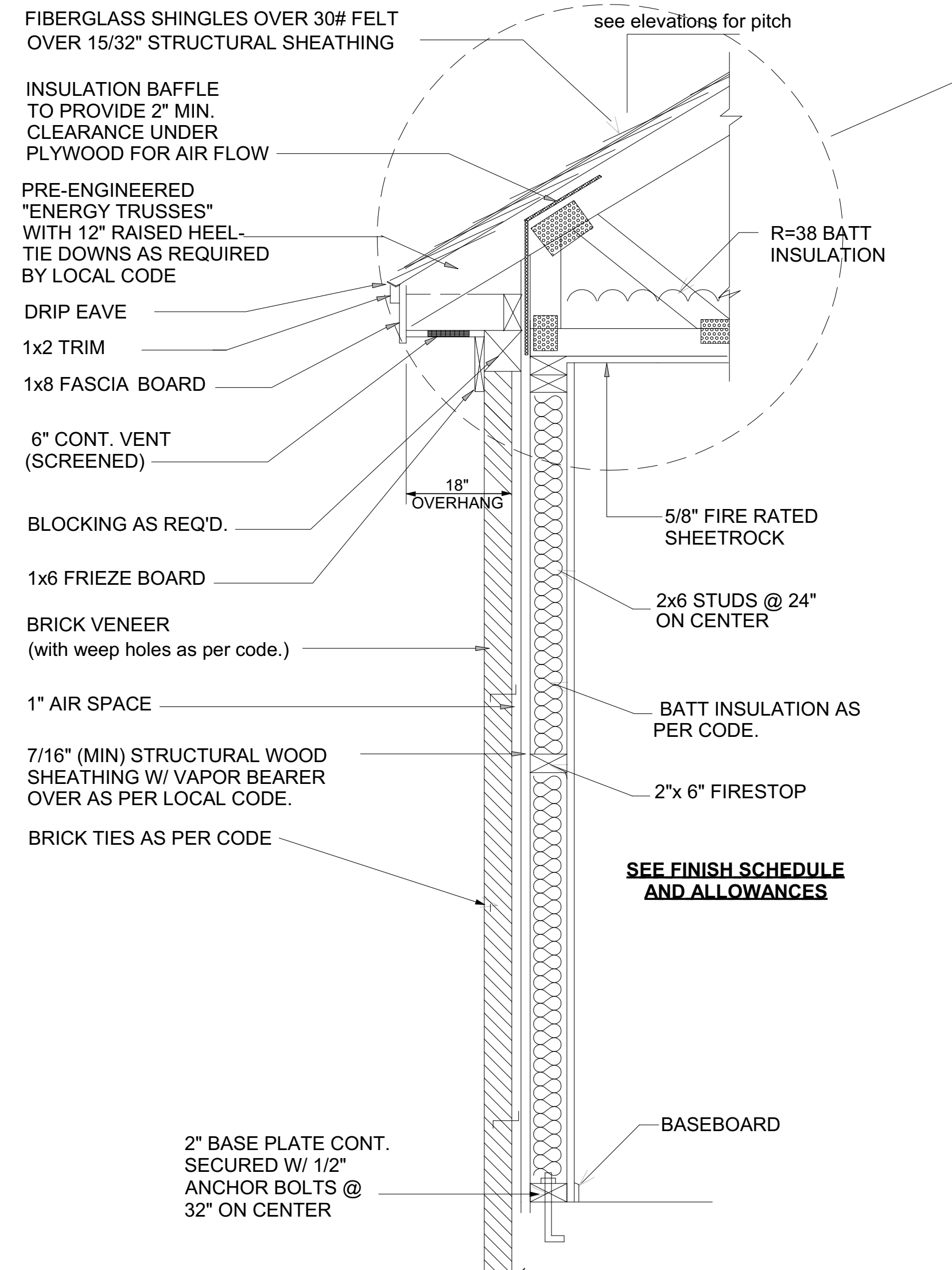
TYPICAL WALL SECTION WITH SIDING



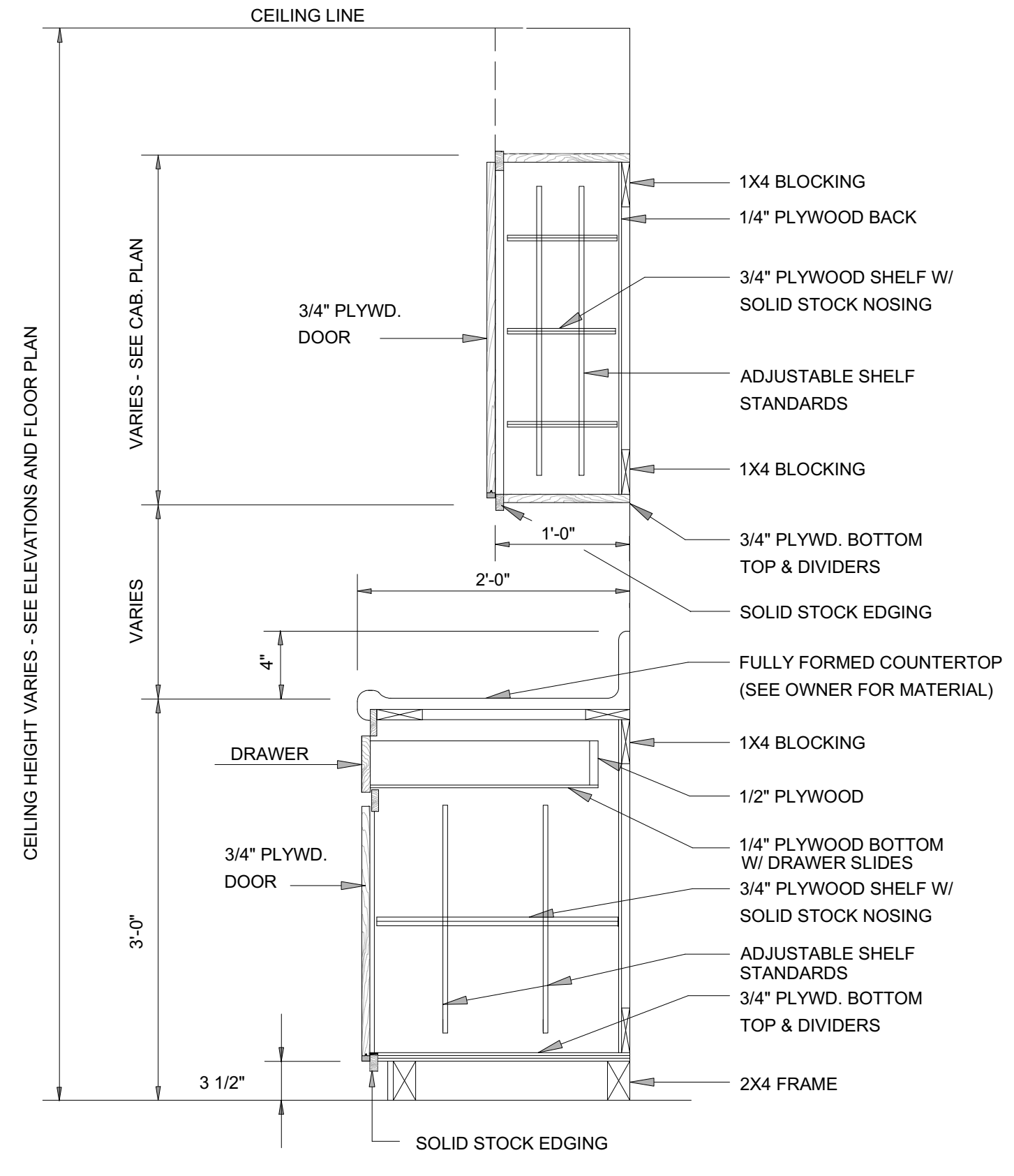
NOTE: One toenail thru studs to sole plate sufficient if diagonal sheathing used

TOP PLATE AND BRACING

ALLOWANCE SCHEDULE	
(ALL ALLOWANCES ARE CONTRACTOR PRICES) NOTE: INSERT PRICE AS DESIRED	
BRICK	
ALLOWANCE TO PURCHASE PER THOUSAND	\$.00
ROOFING	
ALLOWANCE TO PURCHASE PER SQUARE	\$.00
CERAMIC TILE	
ALLOWANCE TO PURCHASE AND INSTALL PER SQ. FT.	\$.00
VINYL COMPOSITION TILE	
ALLOWANCE TO PURCHASE AND INSTALL PER SQ. YD.	\$.00
SHEET VINYL	
ALLOWANCE TO PURCHASE AND INSTALL PER SQ. YD.	\$.00
CARPET AND PAD	
ALLOWANCE TO PURCHASE AND INSTALL PER SQ. YD.	\$.00
PLUMBING FIXTURES	(EXCLUDING ALL BATH AND KITCHEN COUNTERTOPS AND SINKS.)
ALLOWANCE TO PURCHASE LUMP SUM	\$.00
LIGHTING FIXTURES	
ALLOWANCE TO PURCHASE LUMP SUM	\$.00
KITCHEN APPLIANCES	
ALLOWANCE TO PURCHASE LUMP SUM	\$.00
CEILING FANS	
ALLOWANCE TO PURCHASE PER EACH	\$.00
FINISH HARDWARE	OTHER
ALLOWANCE TO PURCHASE LUMP SUM	\$.00
	unit \$.00



TYPICAL BRICK WALL SECTION



TYPICAL KITCHEN CABINET

ALL DIMENSIONS ARE PROPOSED ONLY. THE EXACT DIMENSIONS SHALL BE CHECKED ON SITE FOR FINAL SIZING OF ALL CABINETS AND MILLWORK.
OWNER TO CHOOSE STYLE OF CABINET DOORS AND ANY TRIM TO BE USED AROUND THE TOP OF EACH.

INTERIOR FINISH SCHEDULE							
ROOM	FLOOR COVERING	WALLS	CEILING	BASE TRIM	DOOR & WINDOW TRIM	CEILING MOULD	REMARKS
GARAGE	CARPET AND PAD						
STORAGE	VINYL COMP. TILE						
SUNROOM	CERAMIC TILE						
KITCHEN	SHEET VINYL						
EATING	HARDWOOD FLOORING						
DINING	BRICK PAVERS						
LIVING	CONCRETE SMOOTH FINISH						
FOYER/ENTRY	CONCRETE EXPOSED AGGREGATE						
STUDY	2X6 TREATED TONGUE AND GROOVE V-JOINT						
FAMILY ROOM	2X6 TREATED 5/8\"/>						
STAIRS	1/2\"/>						
MASTER BEDROOM	1/2\"/>						
BEDROOM 2	1/2\"/>						
BEDROOM 3	1/2\"/>						
BEDROOM 4	1/2\"/>						
MASTER BATH	1/2\"/>						
BATH 2	1/2\"/>						
BATH 3	1/2\"/>						
BATH 4	1/2\"/>						
1/2 BATH	1/2\"/>						
DRESSING ROOM 1	1/2\"/>						
DRESSING ROOM 2	1/2\"/>						

NOTICE: ANY DISCREPANCIES, ERRORS AND OR OMISSIONS IN THE NOTES, DIMENSIONS, AND/OR DRAWINGS CONTAINED ON THESE DOCUMENTS SHALL BE BROUGHT TO THE ATTENTION OF THE DESIGNER PRIOR TO THE COMMENCEMENT OF CONSTRUCTION. PRECEDING WITH CONSTRUCTION CONSTITUTES THE ACCEPTANCE OF THE DOCUMENTS AND ANY DISCREPANCIES, ERRORS AND/OR OMISSIONS BECOME THE RESPONSIBILITY OF THE BUILDING CONTRACTOR.



COPYRIGHT NOTICE

DesignHouse Inc. expressly reserves its copyright and all other rights to all ideas, designs, drawings, plans and specifications. These plans are NOT to be reproduced, changed or copied in any form or manner whatsoever, nor are they to be assigned to any third party, without first obtaining written permission and consent of DesignHouse Inc./ Debra Purvis. Clients rights are limited to a one-time use to construct a single house on a lot per contract.



RESIDENTIAL DESIGNERS
294 North Magnolia Drive
Niggins, MS 39457
601-928-3234



PLAN NUMBER

1502

Copyright - DesignHouse Inc.

07/01/2015

on Date noted above.

SCALE - 1/4"=1'-0"

SQUARE FT.

Heated Area 1500

Covered Porches 532

Area does not include Ext. Finishes

REVISIONS

DATE REVISION MADE

THERMAL COMPONENT CRITERIA (U-FACTOR AND R-VALUE)					
MAX. GLAZING U-FACTOR	MINIMUM INSULATION R-VALUE				
	CEILINGS	WALLS	FLOORS	BASEMENT WALLS	CRAWL SPACE WALLS
.75	R-26	R-13	R-11	R-5	R-5
WINDBORNE DEBRIS PROTECTION FASTENING SCHEDULE FOR WOOD STRUCTURAL PANELS					
FASTENER TYPE	FASTENER SPACING				
	PANEL SPAN < 4 FT.	4 FT. PANEL SPAN < 6 FT.	6 FT. PANEL SPAN < 8 FT.		
2 1/2" #6 WOOD SCREWS	16"	12"	9"		
2 1/2" #8 WOOD SCREWS	16"	16"	12"		

WINDOWS IN BUILDINGS LOCATED IN WINDBORNE DEBRIS REGIONS SHALL HAVE GLAZED OPENING PROTECTED FROM WINDBORNE DEBRIS. WOOD STRUCTURAL WITH A MIN. THICKNESS OF 7/16" AND A MAX. SPAN OF 8' SHALL BE PERMITTED FOR OPENING PROTECTION IN ONE & TWO STORY BUILDINGS. PANELS SHALL BE PRECUT TO COVER THE GLAZED OPENINGS WITH ATTACHMENT HARDWARE PROVIDED.

HEADER SPANS FOR INTERIOR LOAD BEARING WALLS				
HEADER SUPPORTING	SIZE	BUILDING WIDTH		
		12	24	36
		SPANS (ft.-in.)		
ONE FLOOR (CENTER BEARING)	2-2x4	4'-4"	3'-1"	2'-6"
	2-2x6	6'-5"	4'-6"	3'-8"
	2-2x8	8'-1"	5'-9"	4'-8"
	2-2x10	9'-11"	7'-0"	5'-9"
	2-2x12	11'-6"	8'-1"	6'-7"
	3-2x8	10'-2"	7'-2"	5'-10"
	3-2x10	12'-5"	8'-9"	7'-2"
	3-2x12	14'-4"	10'-2"	8'-3"
	4-2x8	11'-6"	8'-3"	6'-9"
	4-2x10	14'-4"	10'-1"	8'-3"
TWO FLOORS ONLY (CENTER BEARING)	4-2x12	*	11'-9"	9'-7"
	2-2x4	2'-10"	2'-1"	1'-8"
	2-2x6	4'-2"	3'-1"	2'-6"
	2-2x8	5'-4"	3'-11"	3'-3"
	2-2x10	6'-6"	4'-9"	3'-11"
	2-2x12	7'-6"	5'-6"	4'-7"
	3-2x8	6'-8"	4'-10"	4'-0"
	3-2x10	8'-1"	6'-0"	4'-11"
	3-2x12	9'-5"	6'-11"	5'-9"
	4-2x8	7'-8"	5'-8"	4'-8"
4-2x10	9'-4"	6'-10"	5'-8"	
4-2x12	10'-10"	8'-0"	6'-7"	

* MAX. SPAN EXCEEDS 16' (SPANS LIMITED TO 16')

NOTE:
ALL HEADERS SHALL HAVE SOLID BLOCKING

HEADER NAILING SCHEDULE			
DESCRIPTION	NUM. OF COM. NAILS	NUM. OF BOX NAILS	SPACING
HEAD TO HEAD (FACE-NAILED)	8d	10d	6" O.C. EDGES/ 12" O.C. FIELD

WALL SHEATHING OR CLADDING REQ. FOR WIND LOAD - EXP. B				
SHEATHING LOCATION	STUD SPAC.	E	F	MAX. NAIL SPAC. FOR 8d COM. NAILS OR 10d BOX NAILS (INCHES O.C.)
		INTERIOR ZONE	12" O.C.	
	16" O.C.	6	12	
	24" O.C.	6	12	
PERIMETER EDGE ZONE	12" O.C.	6	12	
	16" O.C.	6	12	
	24" O.C.	6	12	
130 MPH WINDS - EXPOSURE "B" (TYP.)				
ROOF SHEATHING OR CLADDING REQ. FOR WIND LOAD - EXP. B				
SHEATHING LOCATION	RAFTER/ TRUSS SPAC.	E	F	MAX. NAIL SPAC. FOR 8d COM. NAILS OR 10d BOX NAILS (INCHES O.C.)
		INTERIOR ZONE	12" O.C.	
	16" O.C.	6	12	
	24" O.C.	6	12	
PERIMETER EDGE ZONE	12" O.C.	6	12	
	16" O.C.	6	6	
	24" O.C.	6	6	
130 MPH WINDS - EXPOSURE "B" (TYP.)				

HEADER SPANS - EXPOSURE B FOR EXTERIOR LOAD BEARING WALLS		
HEADER SIZE	SPAN	NO. FULL HT STUDS REQ. @ EA. END
2-2x4	4'-7"	2
2-2x6	5'-6"	2
2-2x8	6'-1"	3
2-2x10	6'-8"	3
2-2x12	7'-1"	3
3-2x8	7'-5"	3
3-2x10	8'-3"	3
3-2x12	8'-8"	3
4-2x8	8'-7"	3
4-2x10	9'-6"	3
4-2x12	10'-0"	4

NOTE:
BUILDING WIDTH IS MEASURED PERPENDICULAR TO THE RIDGE. FOR WIDTHS BETWEEN THOSE SHOWN, SPANS ARE PERMITTED TO BE INTERPOLATED.
ALL HEADERS SHALL HAVE SOLID BLOCKING
VERIFY WITH LOCAL CODES FOR THE AREA IN WHICH HOUSE IS TO BE BUILT-THESE CHARTS ARE FOR 130 MPH WINDS WITH EXPOSURE B

SILL OF BOTTOM PLATE TO FND. CONNECTIONS RESISTING UPLIFT LOADS - 130 MPH WINDS EXP. B			
BOTTOM PLATE TO FND. ANCHOR BOLT CONNECTION RESISTING	FOUNDATION SUPPORTING	MAX. ANCHOR BOLT SPACING (IN.)	
		8' END ZONES	INTERIOR ZONES
UPLIFT LOADS	1-3 STORIES	28	33

SILL OF BOTTOM PLATE TO FND. CONNECTIONS RESISTING SHEAR LOADS - 130 MPH WINDS EXP. B			
BOTTOM PLATE TO FND. ANCHOR BOLT CONNECTION RESISTING	FOUNDATION SUPPORTING	MAX. ANCHOR BOLT SPACING (IN.)	
		1/2" ANC. BOLTS	5/8" ANC. BOLTS
SHEAR LOADS	1-3 STORIES	30	45

STANDARD STRONG-WALL MODELS						
MODEL NO.	W (in.)	H (in.)	T (in.)	NUMBER OF MUDSILL ANCHORS	HOLDOWN ANCHOR BOLTS	ASSEMBLED WALL WEIGHT (lbs)
SW18x8	18	93 1/4"	3 1/2	2-5/8"φ	2-SSTB28	85
SW24x8	24	93 1/4"	3 1/2	2-5/8"φ	2-SSTB28	91
SW32x8	32	93 1/4"	3 1/2	2-5/8"φ	2-SSTB28	116
SW48x8	48	93 1/4"	3 1/2	3-5/8"φ	2-SSTB28	149
SW18x9	18	105 1/4"	3 1/2	2-5/8"φ	2-SSTB28	94
SW24x9	24	105 1/4"	3 1/2	2-5/8"φ	2-SSTB28	101
SW32x9	32	105 1/4"	3 1/2	2-5/8"φ	2-SSTB28	128
SW48x9	48	105 1/4"	3 1/2	3-5/8"φ	2-SSTB28	165
SW24x10	24	117 1/4"	3 1/2	2-5/8"φ	2-SSTB28	111
SW32x10	32	117 1/4"	3 1/2	2-5/8"φ	2-SSTB28	134
SW48x10	48	117 1/4"	3 1/2	3-5/8"φ	2-SSTB28	171
SW24x6	24	141 1/4"	5 1/2	2-5/8"φ	2-SSTB28	167
SW32x6	32	141 1/4"	5 1/2	2-5/8"φ	2-SSTB28	201
SW48x6	48	141 1/4"	5 1/2	3-5/8"φ	2-SSTB28	256

HOLD DOWNS

HOLD DOWNS ARE REQUIRED AT THE END OF EACH CEMENTED SHEARWALL SEGMENT OR AT THE END OF A PERFORATED SHEARWALL. WHEN FULL HEIGHT SHEARWALL SEGMENTS MEET AT A CORNER, A SINGLE HOLD DOWN SHALL BE PERMITTED TO BE USED TO RESIST THE OVERTURNING FORCES IN BOTH DIRECTIONS WHEN THE CORNER FRAMING IN THE ADJOINING WALL IS FASTENED TOGETHER TO TRANSFER THE UPLIFT LOAD. SEE TYPICAL HOLD DOWN DETAIL.

UPLIFT CONNECTIONS

ROOF ASSEMBLY TO WALL ASSEMBLY:

UPLIFT CONNECTIONS SHALL BE FROM RAFTER OR TRUSS TO WALL STUD. WHEN RAFTERS OR TRUSSES ARE NOT LOCATED DIRECTLY ABOVE STUDS, RAFTERS SHALL BE ATTACHED TO THE WALL PLATE AND THE WALL TOP PLATE SHALL BE ATTACHED TO THE WALL STUD WITH UPLIFT CONNECTIONS. UPLIFT CONNECTIONS SHALL BE IN ACCORDANCE WITH TABLE.

WALL ASSEMBLY TO FOUNDATION:

FIRST FLOOR WALL STUDS SHALL BE CONNECTED TO THE FOUNDATION, SILL PLATE, OR BOTTOM PLATE A MINIMUM OF A 1 1/4" x 20 GA. ASTM A653 GRADE 33 STEEL STRAP SHALL BE NAILED TO THE WALL STUDS AND HAVE A MINIMUM EMBEDMENT OF 7" IN CONCRETE FOUNDATIONS AND SLABS-ON-GRADE, 15" IN MASONRY BLOCK FOUNDATIONS, OR BE LAPPED UNDER THE BOTTOM PLATE. 3" SQUARE WASHERS SHALL BE USED ON THE ANCHOR BOLTS AND ANCHOR BOLT SPACING SHALL NOT EXCEED THE REQUIREMENTS. STEEL STRAPS EMBEDDED OR IN CONTACT WITH SLAB-ON-GRADE OR MASONRY BLOCK FOUNDATIONS SHALL BE HOT DIPPED GALV. AFTER FABRICATION, OR MFG. FROM G185 OR Z450 GALV. STL. CONNECTIONS SHALL BE IN ACCORDANCE WITH TABLE.

SIMPSON BUILDING CONNECTORS

ROOF RAFTER TO TOP PLATE
ROOF RIDGE
TOP PLATE TO STUD
FLOOR TO FLOOR
STUD TO SILL PLATE

HEADERS

TRUSS TO HEADER
HEADER TO JACK STUDS
HEADER & WINDOW SILL
TO JACK
JACK STUD TO SILL PLATE

H8
MSTA24
SP6
MSTA36
SP6

MTS16
LSTA9
A23

SPH6

JACK STUD REQUIREMENTS - FOR INTERIOR LOAD BEARING WALLS						
HEADER SUPPORTING	HEADER SPAN (ft.)	ROOF SPAN (ft.)				
		12 FEET				
		3"	4.5"	5"	6.5"	
NO JACK STUDS REQ.						
ROOF & CLG.	2	1	1	1	1	
	4	1	1	1	1	
	6	2	1	2	2	
	8	2	2	2	2	
	10	3	2	2	2	
	12	3	2	2	2	
	14	4	3	2	2	
	16	4	3	2	2	
	ROOF & CLG. AND 1 CENTER BEARING FLOOR	2	1	1	1	1
		4	2	1	1	1
6		2	2	2	1	
8		3	2	2	3	
10		4	3	2	2	
12		4	3	3	2	
14		5	3	3	3	
16	5	4	3	3		

HEADER WIDTH - 3" (2-2x), 4.5" (3-2x), 5", 6.5" (4-2x).

ROOF UNDERLAYMENT APPLICATION

FOR ROOF SLOPES FROM TWO UNITS VERTICAL IN 12 UNITS HORIZONTAL (17% SLOPE), UP TO FOUR UNITS VERTICAL IN 12 UNITS HORIZONTAL (33% SLOPE), UNDERLAYMENT SHALL BE TWO LAYERS APPLIED IN THE FOLLOWING MANNER:

APPLY A 19" STRIP OF UNDERLAYMENT FELT PARALLEL WITH AND STARTING AT THE EAVES, FASTENED SUFFICIENTLY TO HOLD IN PLACE. STARTING AT THE EAVE, APPLY 36" WIDE SHEETS OF UNDERLAYMENT, OVERLAPPING SUCCESSIVE SHEETS 19", AND FASTENED SUFFICIENTLY TO HOLD IN PLACE.

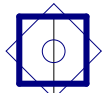
FOR ROOF SLOPES OF FOUR UNITS VERTICAL (33% SLOPE), OR GREATER, UNDERLAYMENT SHALL BE ONE LAYER APPLIED SHINGLE FASHION, PARALLEL TO AND STARTING FROM THE EAVE AND LAPPED 2", FASTENED SUFFICIENTLY TO HOLD IN PLACE. END LAPS SHALL BE OFFSET BY 6".

JACK STUD REQUIREMENTS - FOR INTERIOR LOAD BEARING WALLS														
HEADER SUPPORTING	HEADER SPAN (ft.)	ROOF SPAN (ft.)												
		12 FEET				24 FEET				36 FEET				
		3"	4.5"	5"	6.5"	3"	4.5"	5"	6.5"	3"	4.5"	5"	6.5"	
NO JACK STUDS REQ.														
ROOF & CLG.	2	1	1	1	1	1	1	1	1	1	1	1	1	
	4	1	1	1	1	1	1	1	1	1	1	1	1	
	6	1	1	1	1	1	1	1	1	2	1	1	1	
	8	1	1	1	1	2	1	1	1	2	2	2	1	
	10	1	1	1	1	2	2	1	1	2	2	2	2	
	12	1	1	1	1	2	2	2	1	3	2	2	2	
	14	2	1	1	1	3	2	2	2	3	3	3	2	
	16	2	1	1	1	3	2	2	2	4	3	3	2	
	ROOF & CLG. AND 1 CENTER BEARING FLOOR	2	1	1	1	1	1	1	1	1	2	1	1	1
		4	1	1	1	1	2	1	1	1	3	2	2	2
6		2	1	1	1	3	2	2	2	4	3	3	2	
8		2	2	1	1	3	2	2	2	5	3	3	3	
10		2	2	2	1	4	3	3	2	6	4	4	3	
12		3	2	2	2	5	3	3	3	7	5	4	4	
14		3	2	2	2	5	4	3	3	8	5	5	4	
16	4	3	2	2	6	4	4	3	9	6	5	5		

HEADER WIDTH - 3" (2-2x), 4.5" (3-2x), 5", 6.5" (4-2x).

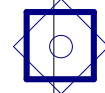
2018 INTERNATIONAL RESIDENTIAL CODE® CONSTRUCTION SPECIFICATIONS AND METHODOLOGIES

IMPORTANT NOTE: THESE NOTES AND SPECIFICATIONS ARE PROVIDED BY DesignHouse Inc - AS A SERVICE TO THEIR CUSTOMERS TO PROVIDE THE MOST POPULAR CODE TOPICS. THE INFORMATION AND METHODOLOGIES PREPARED HEREIN ARE IN ACCORDANCE TO AND REFERENCED TO THE 2018 INTERNATIONAL RESIDENTIAL CODE®. THE INFORMATION IS ALSO A GENERAL SUMMARIZATION OF THE CODE AND IT IS RECOMMENDED THAT YOU BECOME FAMILIAR WITH THE FULL EXTENT OF THE ACTUAL CODE. THE NOTES AND SPECIFICATIONS MAY HAVE TO BE AMENDED DUE TO VARIATIONS IN LOCAL CODES AND GEOLOGICAL CONDITIONS. IT IS THE RESPONSIBILITY OF THE CONTRACTOR AND/OR HOMEOWNER TO MAKE THE NECESSARY MODIFICATIONS TO ENSURE CODE COMPLIANCE AND STRUCTURAL INTEGRITY. IT IS RECOMMENDED THAT YOU CONSULT A LOCAL ARCHITECT OR ENGINEER OF YOUR CHOICE AND CHECK WITH LOCAL BUILDING OFFICIALS PRIOR TO THE START OF ACTUAL CONSTRUCTION. SPECIAL ENGINEERING MAY REQUIRE THAT THESE SPECIFICATIONS BE CHANGED OR AMENDED TO COMPLY WITH SEISMIC, WIND, OR OTHER SPECIAL CONDITIONS AS REQUIRED BY LOCAL CONSTRUCTION METHODOLOGIES AND LOCAL CODES.

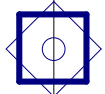


IMPORTANT DISCLAIMER
THE ENCLOSED INFORMATION IS INTENDED TO ASSIST AND INFORM YOU THROUGH THE CONSTRUCTION OF YOUR HOME. YOUR CONSTRUCTION PLANS HAVE BEEN DRAWN TO PRESCRIBE TO INDUSTRY STANDARDS. THESE PROFESSIONAL STANDARDS DETERMINE HOW CONSTRUCTION PLANS ARE DRAWN AND WHAT INFORMATION THEY INCLUDE. CONSTRUCTION PLANS ARE INTENDED AS A TECHNICAL GUIDE TO PROFESSIONAL CONTRACTORS AND ARE NOT INTENDED TO BE A SET OF STEP-BY-STEP INSTRUCTIONS. THEREFORE, IF YOU ARE PLANNING TO BUILD YOUR HOME WITHOUT THE SERVICED OF A PROFESSIONAL BUILDER, WE SUGGEST THAT YOU BECOME THOROUGHLY FAMILIAR WITH READING CONSTRUCTION PLANS OR CONSIDER CONSULTING A CONSTRUCTION SPECIALIST.

GREAT CARE AND EFFORT GOES INTO THE CREATION OF THE DESIGN OF YOUR CONSTRUCTION PLANS. HOWEVER, BECAUSE OF THE IMPOSSIBILITY OF PROVIDING ANY PERSONAL AND/OR "ON-SITE" CONSULTATION, SUPERVISION AND CONTROL OVER THE ACTUAL CONSTRUCTION, AND BECAUSE OF THE GREAT VARIANCES IN LOCAL BUILDING CODE REQUIREMENTS AND OTHER LOCATION BUILDING AND WEATHER CONDITIONS, DesignHouse Inc - NOR THE AGENTS OR EMPLOYEES ASSUMES NO RESPONSIBILITY FOR ANY DAMAGES INCLUDING BUT NOT LIMITED TO, ANY DEFICIENCIES, OMISSIONS, OR ERRORS IN THE DESIGN. IN ANY CASE, ANY DISCREPANCIES, ERRORS, AND/OR OMISSIONS IN THE DIMENSIONS, AND/OR DRAWINGS CONTAINED IN THE CONSTRUCTION PLANS SHALL BE BROUGHT TO THE ATTENTION OF DesignHouse Inc. PRIOR TO COMMENCEMENT OF CONSTRUCTION. PROCEEDING WITH CONSTRUCTION CONSTITUTES THE ACCEPTANCE OF THE CONSTRUCTION DOCUMENTS 'AS IS' AND ANY DISCREPANCIES, ERRORS, AND/OR OMISSIONS BECOME THE SOLE RESPONSIBILITY OF THE PURCHASER. IF ANY ERRORS ARE DISCOVERED PRIOR TO CONSTRUCTION DesignHouse Inc - WILL BE GIVEN FULL OPPORTUNITY TO CORRECT ANY ERRORS AND/OR OMISSIONS TO THE CONSTRUCTION PLANS. IN ANY OR ALL CIRCUMSTANCES, THE MAXIMUM FINANCIAL LIABILITY TO ENTER DesignHouse Inc CAN NOT EXCEED THE TOTAL PLAN PURCHASE.

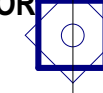


PROFESSIONAL SEAL
THOUGH EVERY EFFORT WAS MADE TO MAKE THE CONSTRUCTION DOCUMENTS FOLLOW THE I.R.C. NATIONAL CODE METHODOLOGIES, A FEW STATES AND CITIES HAVE PASSED BI-LAWS REGARDING CONSTRUCTION PLANS THAT WOULD BE SUBMITTED TO YOU LOCAL MUNICIPALITY AND USED FOR THE CONSTRUCTION OF YOUR HOME. THESE BI-LAWS REQUIRE THE CONSTRUCTION PLANS TO BE REVIEWED AND/OR PREPARED, INSPECTED, AND SEALED (OR STAMPED) BY A LICENSED ARCHITECT IN YOUR STATE. IT IS ADVISED THAT YOU CONTACT YOUR MUNICIPALITY'S BUILDING DEPARTMENT FOR INSTRUCTIONS TO COMPLY WITH THEIR CONSTRUCTION PLANS REVIEW PROCESS. COPYRIGHTS
REPRODUCTION OF THESE CONSTRUCTION PLANS, EITHER IN WHOLE OR IN PART, INCLUDING ANY FORM COPYING AND/OR PREPARATION OF A DERIVATIVE WORKS THEREOF, FOR ANY REASON IS STRICTLY PROHIBITED. THE PURCHASE OF A SET OF CONSTRUCTION PLANS IN NO WAY TRANSFERS ANY COPYRIGHT OR OTHER OWNERSHIP INTEREST IN IT TO THE PURCHASER EXCEPT FOR A LIMITED LICENSING RELEASE TO USE THE SAID PLAN SET FOR CONSTRUCTING ONE AND ONLY ONE DWELLING UNIT. THE PURCHASE OF ADDITIONAL SETS OF THE SAID PLANS AT A REDUCED PRICE FROM THE ORIGINAL SET OR AS PART OF A MULTIPLE SET PACKAGE DOES NOT CONVEY TO THE PURCHASER A LICENCE TO CONSTRUCT MORE THAN ONE DWELLING. SIMILARLY, THE PURCHASE OF REPRODUCIBLE CONSTRUCTION PLANS (A.K.A. SEPIAS, MYLARS, OR VELLUMS) CARRIES THE SAME COPYRIGHT PROTECTION AS MENTIONED ABOVE. IT IS GENERALLY ALLOW TO MAKE A MAXIMUM OF 10 COPIES FOR THE CONSTRUCTION OF S SINGLE DWELLING ONLY. TO USE ANY PLAN MORE THAN ONCE, AND TO AVOID AND COPYRIGHT/LICENCE INFIRNGMENT.IT IS NECESSARY TO CONTACT THE ORIGINAL DESIGNER TO RECEIVE AND LICENCE FOR ANY EXTENDED USAGE. WHEREAS A PURCHASER OF REPRODUCIBLE'S IS GRANTED A LICENCE TO MAKE COPIES, IT SHOULD BE NOTED THAT AS COPYRIGHTED MATERIALS, MAKING PHOTOCOPIES FROM CONSTRUCTION PANS IS ILLEGAL. COPYRIGHT AND LICENSE OF CONSTRUCTION PLANS EXISTS TO PROTECT ALL PARTIES. IT RESPECTS AND SUPPORTS THE INTELLECTUAL PROPERTY OF THE ORIGINAL ARCHITECT AND/OR DESIGNER, THEREBY KEEPING IT POSSIBLE TO OFFER PRE-DRAWN PLANS AT AFFORDABLE PRICES COPYRIGHT LAW FOR PRE-DRAWN CONSTRUCTION PLANS IS NOW BEING VIGOROUSLY ENFORCED. COPYRIGHT INFRINGEMENT COULD LEAD TO FINES OF UP TO \$100,000 PER VIOLATION.
GENERAL SITE NOTES



1. CONTRACTOR TO VERIFY LOCATIONS OF SITE UTILITIES, REQUIREMENTS, AND CONNECTIONS FEES. OWNER, CONTRACTOR AND SUB-CONTACTORS TO PAY ALL OF THEIR RELATED CONSTRUCTION PERMIT FEES AS AGREED UPON BETWEEN THE OWNER AND CONTRACTOR.
2. BEFORE EXCAVATION, THE CONTRACTOR SHALL EXAMINE ALL DRAWINGS, MAPS, AND BUILDING SITE OF EXITING FACILITY TO DETERMINE THE ROUTES OF ALL UNDERGROUND UTILITIES.

BEFORE DIGGING COMMENCES IT IS ADVISED THAT THE OWNER AND OR CONTRACTOR CALL THEIR STATES UTILITY LOCATOR FACILITATOR.
3. IT IS RECOMMENDED THAT THE SITES SOIL BE TESTED FOR COMPRESSION RATING TO DETERMINE FOUNDATION AND FOOTING DESIGN. CONCRETE FOUNDATIONS AND FOOTING DESIGN SHALL BE IN ACCORDANCE TO CHAPTER 4 OF THE I.R.C. CODE. SEE FOUNDATION SECTION ON THIS PAGE FOR MORE DETAIL.
4. CONSULT A LOCAL CIVIL ENGINEER FOR SITE PLANS AND SURVEYS OF EXISTING PROPERTY. A LANDSCAPE ARCHITECT SHOULD BE CONSULTED FOR MORE EXTENSIVE LANDSCAPE DESIGNS.
CHAPTER 3 :: BUILDING PLANNING
SECTION R304 MINIMUM ROOM AREAS
R304.1 MINIMUM AREA.
HABITABLE ROOMS SHALL HAVE A FLOOR AREA OF NOT LESS THAN 70 SQUARE FEET (6.5 M2).
EXCEPTION: KITCHENS.
R304.2 MINIMUM DIMENSIONS.
HABITABLE ROOMS SHALL BE NOT LESS THAN 7 FEET (2134 MM) IN ANY HORIZONTAL DIMENSION.
EXCEPTION: KITCHENS.
R304.3 HEIGHT EFFECT ON ROOM AREA.
PORTIONS OF A ROOM WITH A SLOPING CEILING MEASURING LESS THAN 5 FEET (1524 MM) OR A FURRED CEILING MEASURING LESS THAN 7 FEET (2134 MM) FROM THE FINISHED FLOOR TO THE FINISHED CEILING SHALL NOT BE CONSIDERED AS CONTRIBUTING TO THE MINIMUM REQUIRED HABITABLE AREA FOR THAT ROOM.
SECTION R305 CEILING HEIGHT
R305.1 MINIMUM HEIGHT.
HABITABLE SPACE, HALLWAYS AND PORTIONS OF BASEMENTS CONTAINING THESE SPACES SHALL HAVE A CEILING HEIGHT OF NOT LESS THAN 7 FEET (2134 MM).
BATHROOMS, TOILET ROOMS AND LAUNDRY ROOMS SHALL HAVE A CEILING HEIGHT OF NOT LESS THAN 6 FEET 8 INCHES (2032 MM).
NOTE: SEE SECTION R305.1 FOR EXCEPTIONS
R305.1.1 BASEMENTS.
PORTIONS OF BASEMENTS THAT DO NOT CONTAIN HABITABLE SPACE OR HALLWAYS SHALL HAVE A CEILING HEIGHT OF NOT LESS THAN 6 FEET 8 INCHES (2032 MM).
EXCEPTION: AT BEAMS, GIRDERS, DUCTS OR OTHER OBSTRUCTIONS, THE CEILING HEIGHT SHALL BE NOT LESS THAN 6 FEET 4 INCHES (1931 MM) FROM THE FINISHED FLOOR.
SECTION R306 SANITATION
R306.1 TOILET FACILITIES.
EVERY DWELLING UNIT SHALL BE PROVIDED WITH A WATER CLOSET, LAVATORY, AND A BATHTUB OR SHOWER.
R306.2 KITCHEN.
EACH DWELLING UNIT SHALL BE PROVIDED WITH A KITCHEN AREA AND EVERY KITCHEN AREA SHALL BE PROVIDED WITH A SINK.
R306.3 SEWAGE DISPOSAL.
PLUMBING FIXTURES SHALL BE CONNECTED TO A SANITARY SEWER OR TO AN APPROVED PRIVATE SEWAGE DISPOSAL SYSTEM.
R306.4 WATER SUPPLY TO FIXTURES.
PLUMBING FIXTURES SHALL BE CONNECTED TO AN APPROVED WATER SUPPLY. KITCHEN SINKS, LAVATORIES, BATHTUBS, SHOWERS, BIDETS, LAUNDRY TUBS AND WASHING MACHINE OUTLETS SHALL BE PROVIDED WITH HOT AND COLD WATER.
SECTION R307 TOILET, BATH, AND SHOWER SPACES
R307.1 SPACE REQUIRED. FIXTURES SHALL BE SPACED IN ACCORDANCE WITH FIGURE R307.1, AND IN ACCORDANCE WITH THE REQUIREMENTS OF SECTION P2705.1.
R307.2 BATHTUB AND SHOWER SPACES. BATHTUB AND SHOWER FLOORS AND WALLS ABOVE BATHTUBS WITH INSTALLED SHOWER HEADS AND IN SHOWER COMPARTMENTS SHALL BE FINISHED WITH A NONABSORBENT SURFACE. SUCH WALL SURFACES SHALL EXTEND TO A HEIGHT OF NOT LESS THAN 6 FEET (1829 MM) ABOVE THE FLOOR.



SECTION R308 GLAZING
R308.4 HAZARDOUS LOCATIONS.
THE LOCATIONS SPECIFIED IN SECTIONS R308.4.1 THROUGH R308.4.7 SHALL BE CONSIDERED TO BE SPECIFIC HAZARDOUS LOCATIONS FOR THE PURPOSES OF GLAZING.
R308.4.1 GLAZING IN DOORS.
GLAZING IN FIXED AND OPERABLE PANELS OF SWINGING, SLIDING AND BI-FOLD DOORS SHALL BE CONSIDERED TO BE A HAZARDOUS LOCATION.
NOTE: SEE SECTION 308.4.1 FOR EXCEPTIONS
R308.4.2 GLAZING ADJACENT TO DOORS.
GLAZING IN AN INDIVIDUAL FIXED OR OPERABLE PANEL ADJACENT TO A DOOR SHALL BE CONSIDERED TO BE A HAZARDOUS LOCATION WHERE THE BOTTOM EXPOSED EDGE OF THE GLAZING IS LESS THAN 60 INCHES (1524 MM) ABOVE THE FLOOR OR WALKING SURFACE AND IT MEETS EITHER OF THE FOLLOWING CONDITIONS:
1. WHERE THE GLAZING IS WITHIN 24 INCHES (610 MM) OF EITHER SIDE OF THE DOOR IN THE PLANE OF THE DOOR IN A CLOSED POSITION.
2. WHERE THE GLAZING IS ON A WALL LESS THAN 180 DEGREES (3.14 RAD) FROM THE PLANE OF THE DOOR IN A CLOSED POSITION AND WITHIN 24 INCHES (610 MM) OF THE HINGE SIDE OF AN IN-SWINGING DOOR.
EXCEPTIONS:
1. DECORATIVE GLAZING.
2. WHERE THERE IS AN INTERVENING WALL OR OTHER PERMANENT BARRIER BETWEEN THE DOOR AND THE GLAZING.
3. WHERE ACCESS THROUGH THE DOOR IS TO A CLOSET OR STORAGE AREA 3 FEET (914 MM) OR LESS IN DEPTH. GLAZING IN THIS APPLICATION SHALL COMPLY WITH SECTION R308.4.3.
4. GLAZING THAT IS ADJACENT TO THE FIXED PANEL OF PATIO DOORS.
R308.4.3 GLAZING IN WINDOWS.
GLAZING IN AN INDIVIDUAL FIXED OR OPERABLE PANEL THAT MEETS ALL OF THE FOLLOWING CONDITIONS SHALL BE CONSIDERED TO BE A HAZARDOUS LOCATION:
1. THE EXPOSED AREA OF AN INDIVIDUAL PANE IS LARGER THAN 9 SQUARE FEET (0.836 M2).
2. THE BOTTOM EDGE OF THE GLAZING IS LESS THAN 18 INCHES (457 MM) ABOVE THE FLOOR.
3. THE TOP EDGE OF THE GLAZING IS MORE THAN 36 INCHES 4. (914 MM) ABOVE THE FLOOR.
5. ONE OR MORE WALKING SURFACES ARE WITHIN 36 INCHES (914 MM), MEASURED HORIZONTALLY AND IN A STRAIGHT LINE, OF THE GLAZING.
NOTE: SEE SECTION R308.4.3. FOR EXCEPTIONS
R308.4.4 GLAZING IN GUARDS AND RAILINGS.
GLAZING IN GUARDS AND RAILINGS, INCLUDING STRUCTURAL BALUSTER PANELS AND NONSTRUCTURAL IN-FILL PANELS, REGARDLESS OF AREA OR HEIGHT ABOVE A WALKING SURFACE SHALL BE CONSIDERED TO BE A HAZARDOUS LOCATION.
R308.4.4.1 STRUCTURAL GLASS BALUSTER PANELS.
GUARDS WITH STRUCTURAL GLASS BALUSTER PANELS SHALL BE INSTALLED WITH AN ATTACHED TOP RAIL OR HANDRAIL. THE TOP RAIL OR HANDRAIL SHALL BE SUPPORTED BY NOT LESS THAN THREE GLASS BALUSTER PANELS, OR SHALL BE OTHERWISE SUPPORTED TO REMAIN IN PLACE SHOULD ONE GLASS BALUSTER PANEL FAIL.
NOTE: SEE SECTION 308.4.4.1 FOR EXCEPTIONS.
R308.4.5 GLAZING AND WET SURFACES.
GLAZING IN WALLS, ENCLOSURES OR FENCES CONTAINING OR FACING HOT TUBS, SPAS, WHIRLPOOLS, SAUNAS, STEAM ROOMS, BATHTUBS, SHOWERS AND INDOOR OR OUTDOOR SWIMMING POOLS WHERE THE BOTTOM EXPOSED EDGE OF THE GLAZING IS LESS THAN 60 INCHES (1524 MM) MEASURED VERTICALLY ABOVE ANY STANDING OR WALKING SURFACE SHALL BE CONSIDERED A HAZARDOUS LOCATION. THIS SHALL APPLY TO SINGLE GLAZING AND ALL PANES IN MULTIPLE GLAZING.
NOTE: SEE SECTION 308.4.5 FOR EXCEPTIONS.
R308.4.6 GLAZING ADJACENT TO STAIRS AND RAMPS.
GLAZING WHERE THE BOTTOM EXPOSED EDGE OF THE GLAZING IS LESS THAN 36 INCHES (914 MM) ABOVE THE PLANE OF THE ADJACENT WALKING SURFACE OF STAIRWAYS, LANDINGS BETWEEN FLIGHTS OF STAIRS AND RAMPS SHALL BE CONSIDERED TO BE A HAZARDOUS LOCATION.
NOTE: SEE SECTION 308.4.6 FOR EXCEPTIONS.
R308.4.7 GLAZING ADJACENT TO THE BOTTOM STAIR LANDING.
GLAZING ADJACENT TO THE LANDING AT THE BOTTOM OF A STAIRWAY WHERE THE GLAZING IS LESS THAN 36 INCHES (914 MM) ABOVE THE LANDING AND WITHIN A 60-INCH (1524 MM) HORIZONTAL ARC LESS THAN 180 DEGREES FROM THE BOTTOM TREAD NOSING SHALL BE CONSIDERED TO BE A HAZARDOUS LOCATION.
SEE SECTION 308.4.7 FOR EXCEPTION

R308.5 SITE-BUILT WINDOWS.
SITE-BUILT WINDOWS SHALL COMPLY WITH SECTION 2404 OF THE INTERNATIONAL BUILDING CODE.
R308.6 SKYLIGHTS AND SLOPED GLAZING.
SKYLIGHTS AND SLOPED GLAZING SHALL COMPLY WITH THE FOLLOWING SECTIONS.
R308.6.1 DEFINITIONS. THE FOLLOWING TERMS ARE DEFINED IN CHAPTER 2:
-SKYLIGHT, UNIT.
-SKYLIGHTS AND SLOPED GLAZING.
-TUBULAR DAYLIGHTING DEVICE (TDD).
SECTION R309 GARAGES AND CARPORTS
R309.1 FLOOR SURFACE.
GARAGE FLOOR SURFACES SHALL BE OF APPROVED NONCOMBUSTIBLE MATERIAL. THE AREA OF FLOOR USED FOR PARKING OF AUTOMOBILES OR OTHER VEHICLES SHALL BE SLOPED TO FACILITATE THE MOVEMENT OF LIQUIDS TO A DRAIN OR TOWARD THE MAIN VEHICLE ENTRY DOORWAY.
R309.2 CARPORTS.
CARPORTS SHALL BE OPEN ON NOT LESS THAN TWO SIDES. CARPORT FLOOR SURFACES SHALL BE OF APPROVED NONCOMBUSTIBLE MATERIAL. CARPORTS NOT OPEN ON TWO OR MORE SIDES SHALL BE CONSIDERED TO BE A GARAGE AND SHALL COMPLY WITH THE PROVISIONS OF THIS SECTION FOR GARAGES. THE AREA OF FLOOR USED FOR PARKING OF AUTOMOBILES OR OTHER VEHICLES SHALL BE SLOPED TO FACILITATE THE MOVEMENT OF LIQUIDS TO A DRAIN OR TOWARD THE MAIN VEHICLE ENTRY DOORWAY.
EXCEPTION: ASPHALT SURFACES SHALL BE PERMITTED AT GROUND LEVEL IN CARPORTS.
R309.4 AUTOMATIC GARAGE DOOR OPENERS.
AUTOMATIC GARAGE DOOR OPENERS, IF PROVIDED, SHALL BE LISTED AND LABELED IN ACCORDANCE WITH UL 325.
R309.5 FIRE SPRINKLERS.
PRIVATE GARAGES SHALL BE PROTECTED BY FIRE SPRINKLERS WHERE THE GARAGE WALL HAS BEEN DESIGNED BASED ON TABLE REPLACEMENT (12). NOTE A. SPRINKLERS IN GARAGES SHALL BE CONNECTED TO AN AUTOMATIC SPRINKLER SYSTEM THAT COMPLIES WITH SECTION P2904. GARAGE SPRINKLERS SHALL BE RESIDENTIAL SPRINKLERS OR QUICK-RESPONSE SPRINKLERS, DESIGNED TO PROVIDE A DENSITY OF 0.05 GPM/FT2. GARAGE DOORS SHALL NOT BE CONSIDERED OBSTRUCTIONS WITH RESPECT TO SPRINKLER PLACEMENT.
SECTION R310 EMERGENCY ESCAPE AND RESCUE OPENINGS
R310.1 EMERGENCY ESCAPE AND RESCUE OPENING REQUIRED.
BASEMENTS, HABITABLE ATTICS AND EVERY SLEEPING ROOM SHALL HAVE NOT LESS THAN ONE OPERABLE EMERGENCY ESCAPE AND RESCUE OPENING. WHERE BASEMENTS CONTAIN ONE OR MORE SLEEPING ROOMS, AN EMERGENCY ESCAPE AND RESCUE OPENING SHALL BE REQUIRED IN EACH SLEEPING ROOM. EMERGENCY ESCAPE AND RESCUE OPENINGS SHALL OPEN DIRECTLY INTO A PUBLIC WAY, OR TO A YARD OR COURT THAT OPENS TO A PUBLIC WAY.
NOTE: SEE SECTION R310.1 FOR EXCEPTION
R310.1.1 OPERATIONAL CONSTRAINTS AND OPENING CONTROL DEVICES.
EMERGENCY ESCAPE AND RESCUE OPENINGS SHALL BE OPERATIONAL FROM THE INSIDE OF THE ROOM WITHOUT THE USE OF KEYS, TOOLS OR SPECIAL KNOWLEDGE. WINDOW OPENING CONTROL DEVICES ON WINDOWS SERVING AS A REQUIRED EMERGENCY ESCAPE AND RESCUE OPENING SHALL COMPLY WITH ASTM F2090.
R310.2 EMERGENCY ESCAPE AND RESCUE OPENINGS.
EMERGENCY ESCAPE AND RESCUE OPENINGS SHALL HAVE MINIMUM DIMENSIONS AS SPECIFIED IN THIS SECTION.
R310.2.1 MINIMUM OPENING AREA.
EMERGENCY AND ESCAPE RESCUE OPENINGS SHALL HAVE A NET CLEAR OPENING OF NOT LESS THAN 5.7 SQUARE FEET (0.530 M2). THE NET CLEAR OPENING DIMENSIONS REQUIRED BY THIS SECTION SHALL BE OBTAINED BY THE NORMAL OPERATION OF THE EMERGENCY ESCAPE AND RESCUE OPENING FROM THE INSIDE. THE NET CLEAR HEIGHT OF THE OPENING SHALL BE NOT LESS THAN 24 INCHES (610 MM) AND THE NET CLEAR WIDTH SHALL BE NOT LESS THAN 20 INCHES (508 MM).
EXCEPTION: GRADE FLOOR OPENINGS OR BELOW-GRADE OPENINGS SHALL HAVE A NET CLEAR OPENING AREA OF NOT LESS THAN 5 SQUARE FEET (0.465 M2).

R310.2.2 WINDOW SILL HEIGHT.
WHERE A WINDOW IS PROVIDED AS THE EMERGENCY ESCAPE AND RESCUE OPENING, IT SHALL HAVE A SILL HEIGHT OF NOT MORE THAN 44 INCHES (1118 MM) ABOVE THE FLOOR; WHERE THE SILL HEIGHT IS BELOW GRADE, IT SHALL BE PROVIDED WITH A WINDOW WELL IN ACCORDANCE WITH SECTION R310.2.3.
R310.2.3 WINDOW WELLS.
THE HORIZONTAL AREA OF THE WINDOW WELL SHALL BE NOT LESS THAN 9 SQUARE FEET (0.9 M2), WITH A HORIZONTAL PROJECTION AND WIDTH OF NOT LESS THAN 36 INCHES (914 MM). THE AREA OF THE WINDOW WELL SHALL ALLOW THE EMERGENCY ESCAPE AND RESCUE OPENING TO BE FULLY OPENED.
NOTE: SEE SECTION 310.2.3 FOR EXCEPTION
R310.2.3.1 LADDER AND STEPS.
WINDOW WELLS WITH A VERTICAL DEPTH GREATER THAN 44 INCHES (1118 MM) SHALL BE EQUIPPED WITH A PERMANENTLY AFFIXED LADDER OR STEPS USABLE WITH THE WINDOW IN THE FULLY OPEN POSITION. LADDERS OR STEPS REQUIRED BY THIS SECTION SHALL NOT BE REQUIRED TO COMPLY WITH SECTIONS R311.7. LADDERS OR RUNGS SHALL HAVE AN INSIDE WIDTH OF NOT LESS THAN 12 INCHES (305 MM), SHALL PROJECT NOT LESS THAN 3 INCHES (76 MM) FROM THE WALL AND SHALL BE SPACED NOT MORE THAN 18 INCHES (457 MM) ON CENTER VERTICALLY FOR THE FULL HEIGHT OF THE WINDOW WELL.
R310.2.3.2 DRAINAGE.
WINDOW WELLS SHALL BE DESIGNED FOR PROPER DRAINAGE BY CONNECTING TO THE BUILDING'S FOUNDATION DRAINAGE SYSTEM REQUIRED BY SECTION R405.1 OR BY AN APPROVED ALTERNATIVE METHOD.
NOTE: SEE SECTION 310.2.3.2 FOR EXCEPTION
R310.2.4 EMERGENCY ESCAPE AND RESCUE OPENINGS UNDER DECKS AND PORCHES.
EMERGENCY ESCAPE AND RESCUE OPENINGS INSTALLED UNDER DECKS AND PORCHES SHALL BE FULLY OPENABLE AND PROVIDE A PATH NOT LESS THAN 36 INCHES (914 MM) IN HEIGHT TO A YARD OR COURT.
R310.2.5 REPLACEMENT WINDOWS.
REPLACEMENT WINDOWS INSTALLED IN BUILDINGS MEETING THE SCOPE OF THIS CODE SHALL BE EXEMPT FROM THE MAXIMUM SILL HEIGHT REQUIREMENTS OF SECTION R310.2.2 AND THE REQUIREMENTS OF SECTION R310.2.1, PROVIDED THAT THE REPLACEMENT WINDOW MEETS THE FOLLOWING CONDITIONS:
1. THE REPLACEMENT WINDOW IS THE MANUFACTURER'S LARGEST STANDARD SIZE WINDOW THAT WILL FIT WITHIN THE EXISTING FRAME OR EXISTING ROUGH OPENING. THE REPLACEMENT WINDOW IS OF THE SAME OPERATING STYLE AS THE EXISTING WINDOW OR A STYLE THAT PROVIDES FOR AN EQUAL OR GREATER WINDOW OPENING AREA THAN THE EXISTING WINDOW.
2. THE REPLACEMENT WINDOW IS NOT PART OF A CHANGE OF OCCUPANCY.
R310.3 EMERGENCY ESCAPE AND RESCUE DOORS.
WHERE A DOOR IS PROVIDED AS THE REQUIRED EMERGENCY ESCAPE AND RESCUE OPENING, IT SHALL BE A SIDE-HINGED DOOR OR A SLIDER WHERE THE OPENING IS BELOW THE ADJACENT GRADE, IT SHALL BE PROVIDED WITH AN AREA WELL.
R310.3.1 MINIMUM DOOR OPENING SIZE.
THE MINIMUM NET CLEAR HEIGHT OPENING FOR ANY DOOR THAT SERVES AS AN EMERGENCY AND ESCAPE RESCUE OPENING SHALL BE IN ACCORDANCE WITH SECTION R310.2.1.
R310.3.2 AREA WELLS.
AREA WELLS SHALL HAVE A WIDTH OF NOT LESS THAN 36 INCHES (914 MM). THE AREA WELL SHALL BE SIZED TO ALLOW THE EMERGENCY ESCAPE AND RESCUE DOOR TO BE FULLY OPENED.
R310.3.2.1 LADDER AND STEPS.
AREA WELLS WITH A VERTICAL DEPTH GREATER THAN 44 INCHES (1118 MM) SHALL BE EQUIPPED WITH A PERMANENTLY AFFIXED LADDER OR STEPS USABLE WITH THE DOOR IN THE FULLY OPEN POSITION. LADDERS OR STEPS REQUIRED BY THIS SECTION SHALL NOT BE REQUIRED TO COMPLY WITH SECTION R311.7. LADDERS OR RUNGS SHALL HAVE AN INSIDE WIDTH OF NOT LESS THAN 12 INCHES (305 MM), SHALL PROJECT NOT LESS THAN 3 INCHES (76 MM) FROM THE WALL AND SHALL BE SPACED NOT MORE THAN 18 INCHES (457 MM) ON CENTER VERTICALLY FOR THE FULL HEIGHT OF THE EXTERIOR STAIRWELL.
R310.3.2.2 DRAINAGE.
AREA WELLS SHALL BE DESIGNED FOR PROPER DRAINAGE BY CONNECTING TO THE BUILDING'S FOUNDATION DRAINAGE SYSTEM REQUIRED BY SECTION R405.1 OR BY AN APPROVED ALTERNATIVE METHOD.
NOTE: SEE SECTION 310.3.2.1 FOR EXCEPTION
R310.4 BARS, GRILLES, COVERS AND SCREENS.
WHERE BARS, GRILLES, COVERS, SCREENS OR SIMILAR DEVICES ARE PLACED OVER EMERGENCY ESCAPE AND RESCUE OPENINGS, AREA WELLS, OR WINDOW WELLS, THE MINIMUM NET CLEAR OPENING SIZE SHALL COMPLY WITH SECTIONS R310.2.1 THROUGH R310.2.3, AND SUCH DEVICES SHALL BE RELEASABLE OR REMOVABLE FROM THE INSIDE WITHOUT THE USE OF A KEY, TOOL, SPECIAL KNOWLEDGE OR FORCE GREATER THAN THAT REQUIRED FOR THE NORMAL OPERATION OF THE ESCAPE AND RESCUE OPENING.

R310.5 DWELLING ADDITIONS.
WHERE DWELLING ADDITIONS CONTAIN SLEEPING ROOMS, AN EMERGENCY ESCAPE AND RESCUE OPENING SHALL BE PROVIDED IN EACH NEW SLEEPING ROOM. WHERE DWELLING ADDITIONS HAVE BASEMENTS, AN EMERGENCY ESCAPE AND RESCUE OPENING SHALL BE PROVIDED IN THE NEW BASEMENT.
NOTE: SEE SECTION 310.5 FOR EXCEPTIONS
R310.6 ALTERATIONS OR REPAIRS OF EXISTING BASEMENTS.
AN EMERGENCY ESCAPE AND RESCUE OPENING IS NOT REQUIRED WHERE EXISTING BASEMENTS UNDERGO ALTERATIONS OR REPAIRS.
NOTE: SEE SECTION 310.6 FOR EXCEPTION
SECTION R311 MEANS OF EGRESS
R311.1 MEANS OF EGRESS.
DWELLINGS SHALL BE PROVIDED WITH A MEANS OF EGRESS IN ACCORDANCE WITH THIS SECTION. THE MEANS OF EGRESS SHALL PROVIDE A CONTINUOUS AND UNOBSTRUCTED PATH OF VERTICAL AND HORIZONTAL EGRESS TRAVEL FROM ALL PORTIONS OF THE DWELLING TO THE REQUIRED EGRESS DOOR WITHOUT REQUIRING TRAVEL THROUGH A GARAGE. THE REQUIRED EGRESS DOOR SHALL OPEN DIRECTLY INTO A PUBLIC WAY OR TO A YARD OR COURT THAT OPENS TO A PUBLIC WAY.
R311.2 EGRESS DOOR.
NOT LESS THAN ONE EGRESS DOOR SHALL BE PROVIDED FOR EACH DWELLING UNIT. THE EGRESS DOOR SHALL BE SIDE-HINGED, AND SHALL PROVIDE A CLEAR WIDTH OF NOT LESS THAN 32 INCHES (813 MM) WHERE MEASURED BETWEEN THE FACE OF THE DOOR AND THE STOP, WITH THE DOOR OPEN 90 DEGREES (1.57 RAD). THE CLEAR HEIGHT OF THE DOOR OPENING SHALL BE NOT LESS THAN 78 INCHES (1981 MM) IN HEIGHT MEASURED FROM THE TOP OF THE THRESHOLD TO THE BOTTOM OF THE STOP. OTHER DOORS SHALL NOT BE REQUIRED TO COMPLY WITH THESE MINIMUM DIMENSIONS. EGRESS DOORS SHALL BE READILY OPEN-ABLE FROM INSIDE THE DWELLING WITHOUT THE USE OF A KEY OR SPECIAL KNOWLEDGE OR EFFORT.
R311.3 FLOORS AND LANDINGS AT EXTERIOR DOORS.
THERE SHALL BE A LANDING OR FLOOR ON EACH SIDE OF EACH EXTERIOR DOOR. THE WIDTH OF EACH LANDING SHALL BE NOT LESS THAN THE DOOR SERVED.
LANDINGS SHALL HAVE A DIMENSION OF NOT LESS THAN 36 INCHES (914 MM) MEASURED IN THE DIRECTION OF TRAVEL. THE SLOPE AT EXTERIOR LANDINGS SHALL NOT EXCEED 1/4 UNIT VERTICAL IN 12 UNITS HORIZONTAL (2 PERCENT).
NOTE: SEE SECTION 311.3. FOR EXCEPTION
R311.3.1 FLOOR ELEVATIONS AT THE REQUIRED EGRESS DOORS.
LANDINGS OR FINISHED FLOORS AT THE REQUIRED EGRESS DOOR SHALL BE NOT MORE THAN 1/12 INCHES (38 MM) LOWER THAN THE TOP OF THE THRESHOLD.
NOTE: SEE SECTION 311.3.1 FOR EXCEPTION
R311.3.2 FLOOR ELEVATIONS AT OTHER EXTERIOR DOORS.
DOORS OTHER THAN THE REQUIRED EGRESS DOOR SHALL BE PROVIDED WITH LANDINGS OR FLOORS NOT MORE THAN 7/34 INCHES (196 MM) BELOW THE TOP OF THE THRESHOLD.
NOTE: SEE SECTION 311.3.2. FOR EXCEPTION
R311.3.3 STORM AND SCREEN DOORS.
STORM AND SCREEN DOORS SHALL BE PERMITTED TO SWING OVER EXTERIOR STAIRS AND LANDINGS.
R311.4 VERTICAL EGRESS.
EGRESS FROM HABITABLE LEVELS INCLUDING HABITABLE ATTIC AND BASEMENTS THAT ARE NOT PROVIDED WITH AN EGRESS DOOR IN ACCORDANCE WITH SECTION R311.2 SHALL BE BY A RAMP IN ACCORDANCE WITH SECTION R311.8 OR A STAIRWAY IN ACCORDANCE WITH SECTION R311.7.
R311.5 LANDING, DECK, BALCONY AND STAIR CONSTRUCTION, AND ATTACHMENT
EXTERIOR LANDINGS, DECKS, BALCONIES, STAIRS AND SIMILAR FACILITIES SHALL BE POSITIVELY ANCHORED TO THE PRIMARY STRUCTURE TO RESIST BOTH VERTICAL AND LATERAL FORCES OR SHALL BE DESIGNED TO BE SELF-SUPPORTING. ATTACHMENT SHALL NOT BE ACCOMPLISHED BY USE OF TOENAILS OR NAILS SUBJECT TO WITHDRAWAL.
R311.6 HALLWAYS.
THE WIDTH OF A HALLWAY SHALL BE NOT LESS THAN 3 FEET (914 MM).

R311.7 STAIRWAYS.
R311.7.1 WIDTH.
STAIRWAYS SHALL BE NOT LESS THAN 36 INCHES (914 MM) IN CLEAR WIDTH AT ALL POINTS ABOVE THE PERMITTED HANDRAIL HEIGHT AND BELOW THE REQUIRED HEADROOM HEIGHT. THE CLEAR WIDTH OF STAIRWAYS AT AND BELOW THE HANDRAIL HEIGHT, INCLUDING TREADS AND LANDINGS, SHALL BE NOT LESS THAN 31 1/2 INCHES (787 MM) WHERE A HANDRAIL IS INSTALLED ON ONE SIDE AND 27 INCHES (698 MM) WHERE HANDRAILS ARE INSTALLED ON BOTH SIDES.
NOTE: SEE SECTION 311.7. FOR EXCEPTION
R311.7.2 HEADROOM.
THE HEADROOM IN STAIRWAYS SHALL BE NOT LESS THAN 6 FEET 8 INCHES (2032 MM) MEASURED VERTICALLY FROM THE SLOPED LINE ADJOINING THE TREAD NOSING OR FROM THE FLOOR SURFACE OF THE LANDING OR PLATFORM ON THAT PORTION OF THE STAIRWAY.
NOTE: SEE SECTION 311.7.2 FOR EXCEPTIONS
R311.7.3 VERTICAL RISE.
A FLIGHT OF STAIRS SHALL NOT HAVE A VERTICAL RISE LARGER THAN 151 INCHES (3835 MM) BETWEEN FLOOR LEVELS OR LANDINGS

R311.7.4 WALK-LINE.
THE WALK-LINE ACROSS WINDER TREADS AND LANDINGS SHALL BE CONCENTRIC TO THE TURN AND PARALLEL TO THE DIRECTION OF TRAVEL ENTERING AND EXITING THE TURN. THE WALKLINE SHALL BE LOCATED 12 INCHES (305 MM) FROM THE INSIDE OF THE TURN. THE 12-INCH (305mm) DIMENSION SHALL BE MEASURED FROM THE WIDEST POINT OF THE CLEAR STAIR WIDTH AT THE WALKING SURFACE. WHERE WINDERS ARE ADJACENT WITHIN A FLIGHT, THE POINT OF THE WIDEST CLEAR STAIR WIDTH OF THE ADJACENT WINDERS SHALL BE USED.
R311.7.5 STAIR TREADS AND RISERS.
STAIR TREADS AND RISERS SHALL MEET THE REQUIREMENTS OF THIS SECTION. FOR THE PURPOSES OF THIS SECTION, DIMENSIONS AND DIMENSIONED SURFACES SHALL BE EXCLUSIVE OF CARPETS, RUGS OR RUNNERS.

R311.7.5.1 RISERS.
THE RISER HEIGHT SHALL BE NOT MORE THAN 73/4 INCHES (196 MM). THE RISER SHALL BE MEASURED VERTICALLY BETWEEN LEADING EDGES OF THE ADJACENT TREADS. THE GREATEST RISER HEIGHT WITHIN ANY FLIGHT OF STAIRS SHALL NOT EXCEED THE SMALLEST BY MORE THAN 3/8 INCH (9.5 MM). RISERS SHALL BE VERTICAL OR SLOPED FROM THE UNDERSIDE OF THE NOSING OF THE TREAD ABOVE AT AN ANGLE NOT MORE THAN 30 DEGREES (0.51 RAD) FROM THE VERTICAL. AT OPEN RISERS, OPENINGS LOCATED MORE THAN 30 INCHES (762 MM), AS MEASURED VERTICALLY, TO THE FLOOR OR GRADE BELOW SHALL NOT PERMIT THE PASSAGE OF 4-INCH-DIA (102 MM) SPHERE.
NOTE: SEE SECTION 311.5.1 FOR EXCEPTIONS
R311.7.5.2 TREADS.
THE TREAD DEPTH SHALL BE NOT LESS THAN 10 INCHES (254 MM). THE TREAD DEPTH SHALL BE MEASURED HORIZONTALLY BETWEEN THE VERTICAL PLANES OF THE FOREMOST PROJECTION OF ADJACENT TREADS AND AT A RIGHT ANGLE TO THE TREAD'S LEADING EDGE. THE GREATEST TREAD DEPTH WITHIN ANY FLIGHT OF STAIRS SHALL NOT EXCEED THE SMALLEST BY MORE THAN 3/8 INCH (9.5 MM).

R311.7.5.2.1 WINDER TREADS.
WINDER TREADS SHALL HAVE A TREAD DEPTH OF NOT LESS THAN 10 INCHES (254MM) MEASURED BETWEEN THE VERTICAL PLANES OF THE FOREMOST PROJECTION OF ADJACENT TREADS AT THE INTERSECTIONS WITH THE WALK-LINE. WINDER TREADS SHALL HAVE A TREAD DEPTH OF NOT LESS THAN 6 INCHES (152 MM) AT ANY POINT WITHIN THE CLEAR WIDTH OF THE STAIR. WITHIN ANY FLIGHT OF STAIRS, THE LARGEST WINDER TREAD DEPTH AT THE WALK-LINE SHALL NOT EXCEED THE SMALLEST WINDER TREAD BY MORE THAN 3/8 INCH (9.5 MM). CONSISTENTLY SHAPED WINDERS AT THE WALK-LINE SHALL BE ALLOWED WITHIN THE SAME FLIGHT OF STAIRS AS RECTANGULAR TREADS AND SHALL NOT BE REQUIRED TO BE WITHIN 3/8 INCH (9.5 MM) OF THE RECTANGULAR TREAD DEPTH.
NOTE: SEE SECTION 311.7.5.2.1 FOR EXCEPTION
R311.7.5.3 NOSINGS.
NOSINGS AT TREADS, LANDINGS AND FLOORS OF STAIRWAYS SHALL HAVE A RADIUS OF CURVATURE AT THE NOSING NOT GREATER THAN 9/16 INCH (14 MM) OR A BEVEL NOT GREATER THAN 1/4 INCH (12.7 MM). A NOSING PROJECTION NOT LESS THAN 3/4 INCH (19 MM) AND NOT MORE THAN 11/4 INCHES (32 MM) SHALL BE PROVIDED ON STAIRWAYS. THE GREATEST NOSING PROJECTION SHALL NOT EXCEED THE SMALLEST NOSING PROJECTION BY MORE THAN 3/8 INCH (9.5 MM) WITHIN A STAIRWAY.
NOTE: SEE SECTION 311.7.5.3 FOR EXCEPTION

R311.7.5.4 EXTERIOR PLASTIC COMPOSITE STAIR TREADS.
PLASTIC COMPOSITE EXTERIOR STAIR TREADS SHALL COMPLY WITH THE PROVISIONS OF THIS SECTION AND SECTION R507.2.2
R311.7.6 LANDINGS FOR STAIRWAYS.
THERE SHALL BE A FLOOR OR LANDING AT THE TOP AND BOTTOM OF EACH STAIRWAY. THE WIDTH PERPENDICULAR TO THE DIRECTION OF TRAVEL SHALL BE NOT LESS THAN THE WIDTH OF THE FLIGHT SERVED. FOR LANDINGS OF SHAPES OTHER THAN SQUARE OR RECTANGULAR, THE DEPTH AT THE WALK LINE AND THE TOTAL AREA SHALL BE NOT LESS THAN THAT OF A QUARTER CIRCLE WITH A RADIUS EQUAL TO THE REQUIRED LANDING WIDTH. WHERE THE STAIRWAY HAS A STRAIGHT RUN, THE DEPTH IN THE DIRECTION OF TRAVEL SHALL BE NOT LESS THAN 36 INCHES (914 MM).
NOTE: SEE SECTION 311.7.6 FOR EXCEPTION
R311.7.7 STAIRWAY WALKING SURFACE.
THE WALKING SURFACE OF TREADS AND LANDINGS OF STAIRWAYS SHALL BE SLOPED NOT STEEPER THAN ONE UNIT VERTICAL IN 48 INCHES HORIZONTAL (2-PERCENT SLOPE).
R311.7.8 HANDRAILS.
HANDRAILS SHALL BE PROVIDED ON NOT LESS THAN ONE SIDE OF EACH FLIGHT OF STAIRS WITH FOUR OR MORE RISERS.
R311.7.8.1 HEIGHT.
HANDRAIL HEIGHT, MEASURED VERTICALLY FROM THE SLOPED PLANE ADJOINING THE TREAD NOSING, OR FINISH SURFACE OF RAMP SLOPE, SHALL BE NOT LESS THAN 34 INCHES (864 MM) AND NOT MORE THAN 38 INCHES (965 MM).
NOTE: SEE SECTION 311.7.8.1 FOR EXCEPTIONS
R311.7.8.2 HANDRAIL PROJECTION.
HANDRAILS SHALL NOT PROJECT MORE THAN 4 1/2 INCHES (114 MM) ON EITHER SIDE OF THE STAIRWAY.
NOTE: SEE SECTION 311.7.8.2 FOR EXCEPTIONS
R311.7.8.3 HANDRAIL CLEARANCE.
HANDRAILS ADJACENT TO A WALL SHALL HAVE A SPACE OF NOT LESS THAN 1 1/2 INCHES (38 MM) BETWEEN THE WALL AND THE HANDRAILS.

R311.7.8.4 CONTINUITY.
HANDRAILS SHALL BE CONTINUOUS FOR THE FULL LENGTH OF THE FLIGHT, FROM A POINT DIRECTLY ABOVE THE TOP RISER OF THE FLIGHT TO A POINT DIRECTLY ABOVE THE LOWEST RISER OF THE FLIGHT. HANDRAIL ENDS SHALL BE RETURNED OR SHALL TERMINATE IN NEWEL POSTS OR SAFETY TERMINALS
NOTE: SEE SECTION 311.7.8.2 FOR EXCEPTIONS
R311.7.8.5 GRIP-SIZE.
REQUIRED HANDRAILS SHALL BE OF ONE OF THE FOLLOWING TYPES OR PROVIDE EQUIVALENT GRASPABILITY.
NOTE: SEE R3117.8.3 FOR TYPE I AND TYPE II HANDRAILS.
R311.7.8.6 EXTERIOR PLASTIC COMPOSITE HANDRAILS.
PLASTIC COMPOSITE EXTERIOR HANDRAILS SHALL COMPLY WITH THE REQUIREMENTS OF SECTION R507.2.2.
R311.7.9 ILLUMINATION.
STAIRWAYS SHALL BE PROVIDED WITH ILLUMINATION IN ACCORDANCE WITH SECTION R303.7 AND R303.8.
R311.7.10 SPECIAL STAIRWAYS.
SPIRAL STAIRWAYS AND BULKHEAD ENCLOSURE STAIRWAYS SHALL COMPLY WITH THE REQUIREMENTS OF SECTION R311.7 EXCEPT AS SPECIFIED IN SECTIONS R311.7.10.1 AND R311.7.10.2.
R311.7.10.1 SPIRAL STAIRWAYS.
THE CLEAR WIDTH AT AND BELOW THE HANDRAILS AT SPIRAL STAIRWAYS SHALL BE NOT LESS THAN 26 INCHES (660 MM) AND THE WALK-LINE RADIUS SHALL BE NOT GREATER THAN 24 1/2 INCHES (622 MM). EACH TREAD SHALL HAVE A DEPTH OF NOT LESS THAN 6 3/4 INCHES (171 MM) AT THE WALK-LINE. TREADS SHALL BE IDENTICAL, AND THE RISE SHALL BE NOT MORE THAN 9 1/2 INCHES (241 MM). HEADROOM SHALL BE NOT LESS THAN 6 FEET 6 INCHES (1982 MM).
R311.7.10.2 BULKHEAD ENCLOSURE STAIRWAYS.
STAIRWAYS SERVING BULKHEAD ENCLOSURES, NOT PART OF THE REQUIRED BUILDING EGRESS, PROVIDING ACCESS FROM THE OUTSIDE GRADE LEVEL TO THE BASEMENT SHALL BE EXEMPT FROM THE REQUIREMENTS OF SECTIONS R311.3 AND R311.7 WHERE THE HEIGHT FROM THE BASEMENT FINISHED FLOOR LEVEL TO GRADE ADJACENT TO THE STAIRWAY IS NOT MORE THAN 8 FEET (2438 MM) AND THE GRADE LEVEL OPENING TO THE STAIRWAY IS COVERED BY A BULKHEAD ENCLOSURE WITH HINGED DOORS OR OTHER APPROVED MEANS.
NOTE: SEE SECTION R311.7.11 THROUGH R311.7.12.2 FOR ALTERNATING TREAD DEVICES AND SHIPS LADDERS.

R311.8 RAMPS
R311.8.1 MAXIMUM SLOPE.
RAMPS SERVING THE EGRESS DOOR REQUIRED BY SECTION R311.2 SHALL HAVE A SLOPE OF NOT MORE THAN 1 UNIT VERTICAL IN 12 UNITS HORIZONTAL (8.3-PERCENT SLOPE). OTHER RAMPS SHALL HAVE A MAXIMUM SLOPE OF 1 UNIT VERTICAL IN 8 UNITS HORIZONTAL (12.5 PERCENT).

EXCEPTION: WHERE IT IS TECHNICALLY INFEASIBLE TO COMPLY BECAUSE OF SITE CONSTRAINTS, RAMPS SHALL HAVE A SLOPE OF NOT MORE THAN 1 UNIT VERTICAL IN 8 UNITS HORIZONTAL (12.5 PERCENT).
R311.8.2 LANDINGS REQUIRED.
THERE SHALL BE A FLOOR OR LANDING AT THE TOP AND BOTTOM OF EACH RAMP, WHERE DOORS OPEN ONTO RAMPS, AND WHERE RAMPS CHANGE DIRECTIONS. THE WIDTH OF THE LANDING PERPENDICULAR TO THE RAMP SLOPE SHALL BE NOT LESS THAN 36 INCHES (914 MM).
R311.8.3 HANDRAILS REQUIRED.
HANDRAILS SHALL BE PROVIDED ON NOT LESS THAN ONE SIDE OF RAMPS EXCEEDING A SLOPE OF ONE UNIT VERTICAL IN 12 UNITS HORIZONTAL (8.33-PERCENT SLOPE).
R311.8.3.1 HEIGHT.
HANDRAIL HEIGHT, MEASURED ABOVE THE FINISHED SURFACE OF THE RAMP SLOPE, SHALL BE NOT LESS THAN 34 INCHES (864 MM) AND NOT MORE THAN 38 INCHES (965 MM).
R311.8.3.2 GRIP SIZE.
HANDRAILS ON RAMPS SHALL COMPLY WITH SECTION R311.7.8.5.
R311.8.3.3 CONTINUITY.
HANDRAILS WHERE REQUIRED ON RAMPS SHALL BE CONTINUOUS FOR THE FULL LENGTH OF THE RAMP. HANDRAIL ENDS SHALL BE RETURNED OR SHALL TERMINATE IN NEWEL POSTS OR SAFETY TERMINALS. HANDRAILS ADJACENT TO A WALL SHALL HAVE A SPACE OF NOT LESS THAN 1 1/2 INCHES (38 MM) BETWEEN THE WALL AND THE HANDRAILS.

SECTION R312
GUARDS AND WINDOW FALL PROTECTION
R312.1 GUARDS.
GUARDS SHALL BE PROVIDED IN ACCORDANCE WITH SECTIONS R312.1.1 THROUGH R312.1.4.
R312.1.1 WHERE REQUIRED.
GUARDS SHALL BE PROVIDED FOR THOSE PORTIONS OF OPEN-SIDED WALKING SURFACES, INCLUDING STAIRS, RAMPS AND LANDINGS, THAT ARE LOCATED MORE THAN 30 INCHES (762 MM) MEASURED VERTICALLY TO THE FLOOR OR GRADE BELOW AT ANY POINT WITHIN 36 INCHES (914 MM) HORIZONTALLY TO THE EDGE OF THE OPEN SIDE. INSECT SCREENING SHALL NOT BE CONSIDERED AS A GUARD.
R312.1.2 HEIGHT.
REQUIRED GUARDS AT OPEN-SIDED WALKING SURFACES, INCLUDING STAIRS, PORCHES, BALCONIES OR LANDINGS, SHALL BE NOT LESS THAN 36 INCHES (914 MM) IN HEIGHT AS MEASURED VERTICALLY ABOVE THE ADJACENT WALKING SURFACE OR THE LINE CONNECTING THE NOSINGS.
NOTE: SEE SECTION 312.1.2 FOR EXCEPTIONS
R312.1.3 OPENING LIMITATIONS.
REQUIRED GUARDS SHALL NOT HAVE OPENINGS FROM THE WALKING SURFACE TO THE REQUIRED GUARD HEIGHT THAT ALLOW PASSAGE OF A SPHERE 4 INCHES (102 mm) IN DIAMETER.
NOTE: SEE SECTION 312.1.3 FOR EXCEPTIONS
R312.1.4 EXTERIOR PLASTIC COMPOSITE GUARDS.
PLASTIC COMPOSITE EXTERIOR GUARDS SHALL COMPLY WITH THE REQUIREMENTS OF SECTION R317.4.
R312.2 WINDOW FALL PROTECTION.
WINDOW FALL PROTECTION SHALL BE PROVIDED IN ACCORDANCE WITH SECTIONS R312.2.1 AND R312.2.2.
R312.2.1 WINDOW SILLS.
IN DWELLING UNITS, WHERE THE TOP OF THE SILL OF AN OPERABLE WINDOW OPENING IS LOCATED LESS THAN 24 INCHES (610 MM) ABOVE THE FINISHED FLOOR AND GREATER THAN 72 INCHES (1829 MM) ABOVE THE FINISHED GRADE OR OTHER SURFACE BELOW ON THE EXTERIOR OF THE BUILDING, THE OPERABLE WINDOW SHALL COMPLY WITH ONE OF THE FOLLOWING:
1. OPERABLE WINDOW OPENINGS WILL NOT ALLOW A 4-INCH-DIAMETER (102 MM) SPHERE TO PASS THROUGH WHERE THE OPENINGS ARE IN THEIR LARGEST OPENED POSITION.
2. OPERABLE WINDOWS ARE PROVIDED WITH WINDOW FALL PREVENTION DEVICES THAT COMPLY WITH ASTM F2090.
3. OPERABLE WINDOWS THAT ARE PROVIDED WITH WINDOW 4. OPENING CONTROL DEVICES THAT COMPLY WITH SECTION R312.2.2.

R312.2.2 WINDOW OPENING CONTROL DEVICES.
WINDOW OPENING CONTROL DEVICES SHALL COMPLY WITH ASTM F2090. THE WINDOW OPENING CONTROL DEVICE, AFTER OPERATION TO RELEASE THE CONTROL DEVICE ALLOWING THE WINDOW TO FULLY OPEN, SHALL NOT REDUCE THE NET CLEAR OPENING AREA OF THE WINDOW UNIT TO LESS THAN THE AREA REQUIRED BY SECTION R310.2.1.

SECTION R313
AUTOMATIC FIRE SPRINKLER SYSTEMS
313.1 TOWNHOUSE AUTOMATIC FIRE SPRINKLER SYSTEMS.
AN AUTOMATIC RESIDENTIAL FIRE SPRINKLER SYSTEM SHALL BE INSTALLED IN TOWNHOUSES.
NOTE: SEE SECTION 313.1 FOR EXCEPTION
R313.1.1 DESIGN AND INSTALLATION.
AUTOMATIC RESIDENTIAL FIRE SPRINKLER SYSTEMS FOR TOWNHOUSES SHALL BE DESIGNED AND INSTALLED IN ACCORDANCE WITH SECTION P2904 OR NFPA 13D.
R313.2 ONE- AND TWO-FAMILY DWELLINGS AUTOMATIC FIRE SPRINKLER SYSTEMS.
AN AUTOMATIC RESIDENTIAL FIRE SPRINKLER SYSTEM SHALL BE INSTALLED IN ONE- AND TWO-FAMILY DWELLINGS.
NOTE: SEE SECTION 313.2 FOR EXCEPTION
R313.2.1 DESIGN AND INSTALLATION.
AUTOMATIC RESIDENTIAL FIRE SPRINKLER SYSTEMS SHALL BE DESIGNED AND INSTALLED IN ACCORDANCE WITH SECTION P2904 OR NFPA 13D.
SECTION R314 SMOKE ALARMS
R314.1 GENERAL.
SMOKE ALARMS SHALL COMPLY WITH NFPA 72 AND SECTION R314.
R314.1.1 LISTINGS.
SMOKE ALARMS SHALL BE LISTED IN ACCORDANCE WITH UL 217. COMBINATION SMOKE AND CARBON MONOXIDE ALARMS SHALL BE LISTED IN ACCORDANCE WITH UL 217 AND UL 2034.
R314.2 WHERE REQUIRED.
SMOKE ALARMS SHALL BE PROVIDED IN ACCORDANCE WITH THIS SECTION.

R314.2.1 NEW CONSTRUCTION.
SMOKE ALARMS SHALL BE PROVIDED IN DWELLING UNITS.
R314.2.2 ALTERATIONS, REPAIRS AND ADDITIONS.
WHERE ALTERATIONS, REPAIRS OR ADDITIONS REQUIRING A PERMIT OCCUR, THE INDIVIDUAL DWELLING UNIT SHALL BE EQUIPPED WITH SMOKE ALARMS LOCATED AS REQUIRED FOR NEW DWELLINGS.
NOTE: SEE SECTION 314.2.2 FOR EXCEPTIONS
R314.3 LOCATION.
SMOKE ALARMS SHALL BE INSTALLED IN THE FOLLOWING LOCATIONS:
1. IN EACH SLEEPING ROOM.
2. OUTSIDE EACH SEPARATE SLEEPING AREA IN THE IMMEDIATE VICINITY OF THE BEDROOMS.
3. ON EACH ADDITIONAL STORY OF THE DWELLING, INCLUDING BASEMENTS AND HABITABLE ATTICS AND NOT INCLUDING CRAWL SPACES AND UNINHABITABLE ATTICS. IN DWELLINGS OR DWELLING UNITS WITH SPLIT LEVELS AND WITHOUT AN INTERVENING DOOR BETWEEN THE ADJACENT LEVELS, A SMOKE ALARM INSTALLED ON THE UPPER LEVEL SHALL SUFFICE FOR THE ADJACENT LOWER LEVEL PROVIDED THAT THE LOWER LEVEL IS LESS THAN ONE FULL STORY BELOW THE UPPER LEVEL.
4. SMOKE ALARMS SHALL BE INSTALLED NOT LESS THAN 3 FEET (914 MM) HORIZONTALLY FROM THE DOOR OR OPENING OF A BATHROOM THAT CONTAINS A BATHTUB OR SHOWER UNLESS THIS WOULD PREVENT PLACEMENT OF A SMOKE ALARM REQUIRED BY THIS SECTION.

R314.3.1 INSTALLATION NEAR COOKING APPLIANCES.
SMOKE ALARMS SHALL NOT BE INSTALLED IN THE FOLLOWING LOCATIONS UNLESS THIS WOULD PREVENT PLACEMENT OF A SMOKE ALARM IN A LOCATION REQUIRED BY SECTION R314.3.
1. IONIZATION SMOKE ALARMS SHALL NOT BE INSTALLED LESS THAN 20 FEET (6096 MM) HORIZONTALLY FROM A PERMANENTLY INSTALLED COOKING APPLIANCE.
2. IONIZATION SMOKE ALARMS WITH AN ALARM-SILENCING SWITCH SHALL NOT BE INSTALLED LESS THAN 10 FEET (3048 mm) HORIZONTALLY FROM A PERMANENTLY INSTALLED COOKING APPLIANCE.
3. PHOTOELECTRIC SMOKE ALARMS SHALL NOT BE INSTALLED LESS THAN 6 FEET (1828 MM) HORIZONTALLY FROM A PERMANENTLY INSTALLED COOKING APPLIANCE.

R314.4 INTERCONNECTION.
WHERE MORE THAN ONE SMOKE ALARM IS REQUIRED TO BE INSTALLED WITHIN AN INDIVIDUAL DWELLING UNIT IN ACCORDANCE WITH SECTION R314.3, THE ALARM DEVICES SHALL BE INTERCONNECTED IN SUCH A MANNER THAT THE ACTUATION OF ONE ALARM WILL ACTIVATE ALL OF THE ALARMS IN THE INDIVIDUAL DWELLING UNIT. PHYSICAL INTERCONNECTION OF SMOKE ALARMS SHALL NOT BE REQUIRED WHERE LISTED WIRELESS ALARMS ARE INSTALLED AND ALL ALARMS SOUND UPON ACTIVATION OF ONE ALARM.
R314.5 COMBINATION ALARMS.
COMBINATION SMOKE AND CARBON MONOXIDE ALARMS SHALL BE PERMITTED TO BE USED IN LIEU OF SMOKE ALARMS.
R314.6 POWER SOURCE.
SMOKE ALARMS SHALL RECEIVE THEIR PRIMARY POWER FROM THE BUILDING WIRING WHERE SUCH WIRING IS SERVED FROM A COMMERCIAL SOURCE AND, WHERE PRIMARY POWER IS INTERRUPTED, SHALL RECEIVE POWER FROM A BATTERY. WIRING SHALL BE PERMANENT AND WITHOUT A DISCONNECTING SWITCH OTHER THAN THOSE REQUIRED FOR OVERCURRENT PROTECTION.
NOTE: SEE SECTION 314.6 FOR EXCEPTIONS
R314.7 FIRE ALARM SYSTEMS
FIRE ALARM SYSTEMS SHALL BE PERMITTED TO BE USED IN LIEU OF SMOKE ALARMS AND SHALL COMPLY WITH SECTIONS R314.7.1 THROUGH R314.7.4.
SECTION R315 CARBON MONOXIDE ALARMS
R315.1 GENERAL.
CARBON MONOXIDE ALARMS SHALL COMPLY WITH SECTION R315.
R315.1.1 LISTINGS.
CARBON MONOXIDE ALARMS SHALL BE LISTED IN ACCORDANCE WITH UL 2034. COMBINATION CARBON MONOXIDE AND SMOKE ALARMS SHALL BE LISTED IN ACCORDANCE WITH UL 2034 AND UL 217.
R315.2 WHERE REQUIRED.
CARBON MONOXIDE ALARMS SHALL BE PROVIDED IN ACCORDANCE WITH SECTIONS R315.2.1 AND R315.2.2.
R315.2.1 NEW CONSTRUCTION.
FOR NEW CONSTRUCTION, CARBON MONOXIDE ALARMS SHALL BE PROVIDED IN DWELLING UNITS WHERE EITHER OR BOTH OF THE FOLLOWING CONDITIONS EXIST.

1. THE DWELLING UNIT CONTAINS A FUEL-FIRED APPLIANCE.
2. THE DWELLING UNIT HAS AN ATTACHED GARAGE WITH AN OPENING THAT COMMUNICATES WITH THE DWELLING UNIT.
R315.2.2 ALTERATIONS, REPAIRS AND ADDITIONS.
WHERE ALTERATIONS, REPAIRS OR ADDITIONS REQUIRING A PERMIT OCCUR, THE INDIVIDUAL DWELLING UNIT SHALL BE EQUIPPED WITH CARBON MONOXIDE ALARMS LOCATED AS REQUIRED FOR NEW DWELLINGS.
EXCEPTIONS:
NOTE: SEE SECTION 315.2.2 FOR EXCEPTIONS
R315.3 LOCATION.
CARBON MONOXIDE ALARMS IN DWELLING UNITS SHALL BE INSTALLED OUTSIDE OF EACH SEPARATE SLEEPING AREA IN THE IMMEDIATE VICINITY OF THE BEDROOMS. WHERE A FUEL-BURNING APPLIANCE IS LOCATED WITHIN A BEDROOM OR ITS ATTACHED BATHROOM, A CARBON MONOXIDE ALARM SHALL BE INSTALLED WITHIN THE BEDROOM.
R315.4 COMBINATION ALARMS.
COMBINATION CARBON MONOXIDE AND SMOKE ALARMS SHALL BE PERMITTED TO BE USED IN LIEU OF CARBON MONOXIDE ALARMS.
R315.5 INTERCONNECTIVITY.
WHERE MORE THAN ONE CARBON MONOXIDE ALARM IS REQUIRED TO BE INSTALLED WITHIN AN INDIVIDUAL DWELLING UNIT IN ACCORDANCE WITH SECTION R315.3, THE ALARM DEVICES SHALL BE INTERCONNECTED IN SUCH A MANNER THAT THE ACTUATION OF ONE ALARM WILL ACTIVATE ALL OF THE ALARMS IN THE INDIVIDUAL DWELLING UNIT. PHYSICAL INTERCONNECTION OF CARBON MONOXIDE ALARMS SHALL NOT BE REQUIRED WHERE LISTED WIRELESS ALARMS ARE INSTALLED AND ALL ALARMS SOUND UPON ACTIVATION OF ONE ALARM.
NOTE: SEE SECTION 315.5 FOR EXCEPTIONS
R315.6 POWER SOURCE.
CARBON MONOXIDE ALARMS SHALL RECEIVE THEIR PRIMARY POWER FROM THE BUILDING WIRING WHERE SUCH WIRING IS SERVED FROM A COMMERCIAL SOURCE AND, WHERE PRIMARY POWER IS INTERRUPTED, SHALL RECEIVE POWER FROM A BATTERY. WIRING SHALL BE PERMANENT AND WITHOUT A DISCONNECTING SWITCH OTHER THAN THOSE REQUIRED FOR OVER-CURRENT PROTECTION.
NOTE: SEE SECTION 315.5 FOR EXCEPTIONS
R315.7 CARBON MONOXIDE DETECTION SYSTEMS.
CARBON MONOXIDE DETECTION SYSTEMS SHALL BE PERMITTED TO BE USED IN LIEU OF CARBON MONOXIDE ALARMS AND SHALL COMPLY WITH SECTIONS R315.6.1 THROUGH R315.6.4.

SECTION R321
ELEVATORS AND PLATFORM LIFTS
R321.1 ELEVATORS.
WHERE PROVIDED, PASSENGER ELEVATORS, LIMITED- USE AND LIMITED-APPLICATION ELEVATORS OR PRIVATE RESIDENCE ELEVATORS SHALL COMPLY WITH ASME A17.1/CSA B44.
SECTION R322
FLOOD-RESISTANT CONSTRUCTION
R322.1 GENERAL.
BUILDINGS AND STRUCTURES CONSTRUCTED IN WHOLE OR IN PART IN FLOOD HAZARD AREAS, INCLUDING A OR V ZONES AND COASTAL A ZONES, AS ESTABLISHED IN TABLE R301.2(1), AND SUBSTANTIAL IMPROVEMENT AND REPAIR OF SUBSTANTIAL DAMAGE OF BUILDINGS AND STRUCTURES IN FLOOD HAZARD AREAS, SHALL BE DESIGNED AND CONSTRUCTED IN ACCORDANCE WITH THE PROVISIONS CONTAINED IN THIS SECTION. BUILDINGS AND STRUCTURES THAT ARE LOCATED IN MORE THAN ONE FLOOD HAZARD AREA SHALL COMPLY WITH THE PROVISIONS ASSOCIATED WITH THE MOST RESTRICTIVE FLOOD HAZARD AREA. BUILDINGS AND STRUCTURES LOCATED IN WHOLE OR IN PART IN IDENTIFIED FLOODWAYS SHALL BE DESIGNED AND CONSTRUCTED IN ACCORDANCE WITH ASCE 24.
R322.1.2 STRUCTURAL SYSTEMS.
STRUCTURAL SYSTEMS OF BUILDINGS AND STRUCTURES SHALL BE DESIGNED, CONNECTED AND ANCHORED TO RESIST FLOTATION, COLLAPSE OR PERMANENT LATERAL MOVEMENT DUE TO STRUCTURAL LOADS AND STRESSES FROM FLOODING EQUAL TO THE DESIGN FLOOD ELEVATION.
R322.1.3 FLOOD-RESISTANT CONSTRUCTION.
BUILDINGS AND STRUCTURES ERRECTED IN AREAS PRONE TO FLOODING SHALL BE CONSTRUCTED BY METHODS AND PRACTICES THAT MINIMIZE FLOOD DAMAGE.
R322.1.4 ESTABLISHING THE DESIGN FLOOD ELEVATION.
THE DESIGN FLOOD ELEVATION SHALL BE USED TO DEFINE FLOOD HAZARD AREAS. AT A MINIMUM, THE DESIGN FLOOD ELEVATION SHALL BE THE HIGHER OF THE FOLLOWING:
1. THE BASE FLOOD ELEVATION AT THE DEPTH OF PEAK ELEVATION OF FLOODING, INCLUDING WAVE HEIGHT, THAT HAS A 1 PERCENT (100-YEAR FLOOD) OR GREATER CHANCE OF BEING EQUALED OR EXCEEDED IN ANY GIVEN YEAR.
2. THE ELEVATION OF THE DESIGN FLOOD ASSOCIATED WITH THE AREA DESIGNATED ON A FLOOD HAZARD MAP ADOPTED BY THE COMMUNITY, OR OTHERWISE LEGALLY DESIGNATED. FOR DETERMINING DESIGN FLOOD ELEVATIONS AND IMPACTS REFER TO SECTIONS R322.1.4.1 AND R322.1.4.2
R322.1.5 LOWEST FLOOR.
THE LOWEST FLOOR SHALL BE THE LOWEST FLOOR OF THE LOWEST ENCLOSED AREA, INCLUDING BASEMENT, AND EXCLUDING ANY UNFINISHED FLOOD-RESISTANT ENCLOSURE THAT IS USEABLE SOLELY FOR VEHICLE PARKING, BUILDING ACCESS OR LIMITED STORAGE PROVIDED THAT SUCH ENCLOSURE IS NOT BUILT SO AS TO RENDER THE BUILDING OR STRUCTURE IN VIOLATION OF THIS SECTION.

R322.1.6 PROTECTION OF MECHANICAL, PLUMBING AND ELECTRICAL SYSTEMS.
ELECTRICAL SYSTEMS, EQUIPMENT AND COMPONENTS; HEATING, VENTILATING, AIR CONDITIONING; PLUMBING APPLIANCES AND PLUMBING FIXTURES; DUCT SYSTEMS; AND OTHER SERVICE EQUIPMENT SHALL BE LOCATED AT OR ABOVE THE ELEVATION REQUIRED IN SECTION R322.2 OR R322.3. IF REPLACED AS PART OF A SUBSTANTIAL IMPROVEMENT, ELECTRICAL SYSTEMS, EQUIPMENT AND COMPONENTS; HEATING, VENTILATING, AIR CONDITIONING AND PLUMBING APPLIANCES AND PLUMBING FIXTURES; DUCT SYSTEMS; AND OTHER SERVICE EQUIPMENT SHALL MEET THE REQUIREMENTS OF THIS SECTION. SYSTEMS, FIXTURES, AND EQUIPMENT AND COMPONENTS SHALL NOT BE MOUNTED ON OR PENETRATE THROUGH WALLS INTENDED TO BREAK AWAY UNDER FLOOD LOADS.
NOTE: SEE SECTION 322.1.6 FOR EXCEPTION
R322.1.7 PROTECTION OF WATER SUPPLY AND SANITARY SEWAGE SYSTEMS.
NEW AND REPLACEMENT WATER SUPPLY SYSTEMS SHALL BE DESIGNED TO MINIMIZE OR ELIMINATE INFILTRATION OF FLOOD WATERS INTO THE SYSTEMS IN ACCORDANCE WITH THE PLUMBING PROVISIONS OF THIS CODE. NEW AND REPLACEMENT SANITARY SEWAGE SYSTEMS SHALL BE DESIGNED TO MINIMIZE OR ELIMINATE INFILTRATION OF FLOODWATERS INTO SYSTEMS AND DISCHARGES FROM SYSTEMS INTO FLOODWATERS IN ACCORDANCE WITH THE PLUMBING PROVISIONS OF THIS CODE AND CHAPTER 3 OF THE INTERNATIONAL PRIVATE SEWAGE DISPOSAL CODE.

R322.1.7 PROTECTION OF WATER SUPPLY AND SANITARY SEWAGE SYSTEMS.
NEW AND REPLACEMENT WATER SUPPLY SYSTEMS SHALL BE DESIGNED TO MINIMIZE OR ELIMINATE INFILTRATION OF FLOOD WATERS INTO THE SYSTEMS IN ACCORDANCE WITH THE PLUMBING PROVISIONS OF THIS CODE. NEW AND REPLACEMENT SANITARY SEWAGE SYSTEMS SHALL BE DESIGNED TO MINIMIZE OR ELIMINATE INFILTRATION OF FLOODWATERS INTO SYSTEMS AND DISCHARGES FROM SYSTEMS INTO FLOODWATERS IN ACCORDANCE WITH THE PLUMBING PROVISIONS OF THIS CODE AND CHAPTER 3 OF THE INTERNATIONAL PRIVATE SEWAGE DISPOSAL CODE.

R322.1.8 FLOOD-RESISTANT MATERIALS. BUILDING MATERIALS AND INSTALLATION METHODS USED FOR FLOORING AND INTERIOR AND EXTERIOR WALLS AND WALL COVERINGS BELOW THE ELEVATION REQUIRED IN SECTION R322.2 OR R322.3 SHALL BE FLOOD DAMAGE- RESISTANT MATERIALS THAT CONFORM TO THE PROVISIONS OF FEMA TB-2. SEE SECTION R322.2 FOR FLOOD HAZARD AREAS (INCLUDING A ZONES).

R322.2.2 ENCLOSED AREA BELOW DESIGN FLOOD ELEVATION. ENCLOSED AREAS, INCLUDING CRAWL SPACES, THAT ARE BELOW THE DESIGN FLOOD ELEVATION SHALL:

1. BE USED SOLELY FOR PARKING OF VEHICLES, BUILDING ACCESS OR STORAGE.
2. BE PROVIDED WITH FLOOD OPENINGS THAT MEET THE FOLLOWING CRITERIA AND ARE INSTALLED IN ACCORDANCE WITH SECTION R322.2.2.1 SECTIONS 2.1 THROUGH 2.3, AS WELL AS, SECTIONS:
-R322.2.2.1 FOR INSTALLATION OF OPENINGS.
-R322.2.3 FOUNDATION DESIGN AND CONSTRUCTION.
-R322.2.4 TANKS.

REFER TO SECTION R322.3 FOR COASTAL HIGH-HAZARD AREAS (INCLUDING V ZONES AND COASTAL A ZONES, WHERE DESIGNATED), INCLUDING:

R322.3.1 LOCATION AND SITE PREPARATION

R322.3.2 ELEVATION REQUIREMENTS

R322.3.3 FOUNDATIONS

R322.3.4 CONCRETE SLABS

R322.3.5 WALLS BELOW DESIGN FLOOD ELEVATION

R322.3.6 ENCLOSED AREAS BELOW DESIGN FLOOD ELEVATION.

R322.3.7 STAIRWAYS AND RAMPS

R322.3.8 DECKS AND PORCHES

R322.3.9 CONSTRUCTION DOCUMENTS

R322.3.10 TANKS

R322.1.8 FLOOD-RESISTANT MATERIALS. BUILDING MATERIALS AND INSTALLATION METHODS USED FOR FLOORING AND INTERIOR AND EXTERIOR WALLS AND WALL COVERINGS BELOW THE ELEVATION REQUIRED IN SECTION R322.2 OR R322.3 SHALL BE FLOOD DAMAGE- RESISTANT MATERIALS THAT CONFORM TO THE PROVISIONS OF FEMA TB-2. SEE SECTION R322.2 FOR FLOOD HAZARD AREAS (INCLUDING A ZONES).

R322.2.2 ENCLOSED AREA BELOW DESIGN FLOOD ELEVATION. ENCLOSED AREAS, INCLUDING CRAWL SPACES, THAT ARE BELOW THE DESIGN FLOOD ELEVATION SHALL:

1. BE USED SOLELY FOR PARKING OF VEHICLES, BUILDING ACCESS OR STORAGE.
2. BE PROVIDED WITH FLOOD OPENINGS THAT MEET THE FOLLOWING CRITERIA AND ARE INSTALLED IN ACCORDANCE WITH SECTION R322.2.2.1 SECTIONS 2.1 THROUGH 2.3, AS WELL AS, SECTIONS:
-R322.2.2.1 FOR INSTALLATION OF OPENINGS.
-R322.2.3 FOUNDATION DESIGN AND CONSTRUCTION.
-R322.2.4 TANKS.

REFER TO SECTION R322.3 FOR COASTAL HIGH-HAZARD AREAS (INCLUDING V ZONES AND COASTAL A ZONES, WHERE DESIGNATED), INCLUDING:

R322.3.1 LOCATION AND SITE PREPARATION

R322.3.2 ELEVATION REQUIREMENTS

R322.3.3 FOUNDATIONS

R322.3.4 CONCRETE SLABS

R322.3.5 WALLS BELOW DESIGN FLOOD ELEVATION

R322.3.6 ENCLOSED AREAS BELOW DESIGN FLOOD ELEVATION.

R322.3.7 STAIRWAYS AND RAMPS

R322.3.8 DECKS AND PORCHES

R322.3.9 CONSTRUCTION DOCUMENTS

R322.3.10 TANKS

SECTION R323 STORM SHELTERS

R323.1 GENERAL. THIS SECTION APPLIES TO STORM SHELTERS WHERE CONSTRUCTED AS SEPARATE DETACHED BUILDINGS OR WHERE CONSTRUCTED AS SAFE ROOMS WITHIN BUILDINGS FOR THE PURPOSE OF PROVIDING REFUGE FROM STORMS THAT PRODUCE HIGH WINDS, SUCH AS TORNADOS AND HURRICANES. IN ADDITION TO OTHER APPLICABLE REQUIREMENTS IN THIS CODE, STORM SHELTERS SHALL BE CONSTRUCTED IN ACCORDANCE WITH ICC/NSSA-500.

SECTION R326 SWIMMING POOLS, SPAS AND HOT TUBS

R326.1 GENERAL. THE DESIGN AND CONSTRUCTION OF POOLS AND SPAS SHALL COMPLY

CHAPTER 4 :: FOUNDATIONS

SECTION R401 GENERAL

R401.2 REQUIREMENTS. FOUNDATION CONSTRUCTION SHALL BE CAPABLE OF ACCOMMODATING ALL LOADS IN ACCORDANCE WITH SECTION R301 AND OF TRANSMITTING THE RESULTING LOADS TO THE SUPPORTING SOIL. FILL SOILS THAT SUPPORT FOOTINGS AND FOUNDATIONS SHALL BE DESIGNED, INSTALLED AND TESTED IN ACCORDANCE WITH ACCEPTED ENGINEERING PRACTICE.

R401.3 DRAINAGE. SURFACE DRAINAGE SHALL BE DIVERTED TO A STORM SEWER CONVEYANCE OR OTHER APPROVED POINT OF COLLECTION THAT DOES NOT CREATE A HAZARD. LOTS SHALL BE GRADED TO DRAIN SURFACE WATER AWAY FROM FOUNDATION WALLS. THE GRADE SHALL FALL NOT FEWER THAN 6 INCHES (152 MM) WITHIN THE FIRST 10 FEET (3048 MM).

NOTE: SEE SECTION R401.3 FOR EXCEPTIONS

R401.4 SOIL TESTS. WHERE QUANTIFIABLE DATA CREATED BY ACCEPTED SOIL SCIENCE METHODOLOGIES INDICATE EXPANSIVE SOILS, COMPRESSIBLE SOILS, SHIFTING SOILS, OR OTHER QUESTIONABLE SOIL CHARACTERISTICS ARE LIKELY TO BE PRESENT, THE BUILDING OFFICIAL SHALL DETERMINE WHETHER TO REQUIRE A SOIL TEST TO DETERMINE THE SOIL'S CHARACTERISTICS AT A PARTICULAR LOCATION. THIS TEST SHALL BE DONE BY AN APPROVED AGENCY USING AN APPROVED METHOD.

SECTION R402 MATERIALS

R402.1 WOOD FOUNDATIONS. WOOD FOUNDATION SYSTEMS SHALL BE DESIGNED AND INSTALLED IN ACCORDANCE WITH THE PROVISIONS OF THIS CODE.

R402.1.1 FASTENERS. FASTENERS USED BELOW GRADE TO ATTACH PLYWOOD TO THE EXTERIOR SIDE OF EXTERIOR BASEMENT OR CRAWLSPACE WALL STUDS, OR FASTENERS USED IN KNEE WALL CONSTRUCTION, SHALL BE OF TYPE 304 OR 316 STAINLESS STEEL. FASTENERS USED ABOVE GRADE TO ATTACH PLYWOOD AND ALL LUMBER-TOLUMBER FASTENERS EXCEPT THOSE USED IN KNEE WALL CONSTRUCTION SHALL BE OF TYPE 304 OR 316 STAINLESS STEEL, SILICON BRONZE, COPPER, HOT-DIPPED GALVANIZED (ZINC COATED) STEEL NAILS, OR HOT-TUMBLE GALVANIZED (ZINC COATED) STEEL NAILS. ELECTRO-GALVANIZED STEEL NAILS AND GALVANIZED (ZINC COATED) STEEL STAPLES SHALL NOT BE PERMITTED.

R402.1.2 WOOD TREATMENT. LUMBER AND PLYWOOD SHALL BE PRESSURE-PRESERVATIVE TREATED AND DRIED AFTER TREATMENT IN ACCORDANCE WITH AWPA U1 (COMMODITY SPECIFICATION A, SPECIAL REQUIREMENT 4.2), AND SHALL BEAR THE LABEL OF AN ACCREDITED AGENCY. WHERE LUMBER OR PLYWOOD IS CUT OR DRILLED AFTER TREATMENT, THE TREATED SURFACE SHALL BE FIELD TREATED WITH COPPER NAPHTHENATE, THE CONCENTRATION OF WHICH SHALL CONTAIN NOT LESS THAN 2-PERCENT COPPER METAL, BY REPEATED BRUSHING, DIPPING OR SOAKING UNTIL THE WOOD CANNOT ABSORB MORE PRESERVATIVE.

R402.2 CONCRETE. CONCRETE SHALL HAVE A MINIMUM SPECIFIED COMPRESSIVE STRENGTH OF F #SC, AS SHOWN IN TABLE R402.2. CONCRETE SUBJECT TO MODERATE OR SEVERE WEATHERING AS INDICATED IN TABLE R301.2(1) SHALL BE AIR ENTRAINED AS SPECIFIED IN TABLE R402.2. THE MAXIMUM WEIGHT OF FLY ASH, OTHER POZZOLANS, SILICA FUME, SLAG OR BLENDED CEMENTS THAT IS INCLUDED IN CONCRETE MIXTURES FOR GARAGE FLOOR SLABS AND FOR EXTERIOR PORCHES, CARPORT SLABS AND STEPS THAT WILL BE EXPOSED TO DEICING CHEMICALS SHALL NOT EXCEED THE PERCENTAGES OF THE TOTAL WEIGHT OF CEMENTITIOUS MATERIALS SPECIFIED IN SECTION 19.3.3.4 OF ACI MATERIALS USED TO PRODUCE CONCRETE AND TESTING THEREOF SHALL COMPLY WITH THE APPLICABLE STANDARDS LISTED IN CHAPTERS 19 AND 20 OF ACI 318 OR ACI 332. R402.2.1 SECTION 403 FOOTINGS

R403.1 GENERAL. ALL EXTERIOR WALLS SHALL BE SUPPORTED ON CONTINUOUS SOLID OR FULLY GROUTED MASONRY OR CONCRETE FOOTINGS, CRUSHED STONE FOOTINGS, WOOD FOUNDATIONS, OR OTHER APPROVED STRUCTURAL SYSTEMS THAT SHALL BE OF SUFFICIENT DESIGN TO ACCOMMODATE ALL LOADS ACCORDING TO SECTION R301 AND TO TRANSMIT THE RESULTING LOADS TO THE SOIL WITHIN THE LIMITATIONS AS DETERMINED FROM THE CHARACTER OF THE SOIL. FOOTINGS SHALL BE SUPPORTED ON UNDISTURBED NATURAL SOILS OR ENGINEERED FILL. CONCRETE FOOTINGS SHALL BE DESIGNED AND CONSTRUCTED IN ACCORDANCE WITH THE PROVISIONS OF SECTION R403 OR IN ACCORDANCE WITH ACI 332.

R403.1.1 MINIMUM SIZE. THE MINIMUM WIDTH, W, AND THICKNESS, T, FOR CONCRETE FOOTINGS SHALL BE IN ACCORDANCE WITH TABLES R403.1(1) THROUGH R403.1(3) AND FIGURE R403.1(1) OR R403.1.3, AS APPLICABLE. THE FOOTING WIDTH SHALL BE BASED ON THE LOAD-BEARING VALUE OF THE SOIL IN ACCORDANCE WITH TABLE R401.4.1. FOOTING PROJECTIONS, P, SHALL BE NOT LESS THAN 2 INCHES (51 MM) AND SHALL NOT EXCEED THE THICKNESS OF THE FOOTING. FOOTING THICKNESS AND PROJECTION FOR FIREPLACES SHALL BE IN ACCORDANCE WITH SECTION R1001.2. THE SIZE OF FOOTINGS SUPPORTING PIERS AND COLUMNS SHALL BE BASED ON THE TRIBUTARY LOAD AND ALLOWABLE SOIL PRESSURE IN ACCORDANCE WITH TABLE R401.4.1. FOOTINGS FOR WOOD FOUNDATIONS SHALL BE IN ACCORDANCE WITH THE DETAILS SET FORTH IN SECTION R403.2, AND FIGURES R403.1(2) AND R403.1(3). FOYTINGS FOR PRECAST FOUNDATIONS SHALL BE IN ACCORDANCE WITH THE DETAILS SET FORTH IN SECTION R403.4, TABLE R403.4, AND FIGURES R403.4(1) AND R403.4(2). REFER TO THESE SECTIONS FOR THE FOLLOWING TOPICS:

-R403.1.2 CONTINUOUS FOOTING IN SEISMIC DESIGN CATEGORIES D0, D1 AND D2.

-R403.1.3 FOOTING AND STEM WALL REINFORCING IN SEISMIC DESIGN CATEGORIES D0, D1, AND D2.

-R403.1.3.4 INTERIOR BEARING AND BRACED WALL PANEL FOOTINGS IN SEISMIC DESIGN CATEGORIES D0, D1 AND D2.

-R403.1.3.5 REINFORCEMENT.

-R403.1.3.6 ISOLATED CONCRETE FOOTINGS.

R403.1.4 MINIMUM DEPTH. EXTERIOR FOOTINGS SHALL BE PLACED NOT LESS THAN 12 INCHES (305 MM) BELOW THE UNDISTURBED GROUND SURFACE. WHERE APPLICABLE, THE DEPTH OF FOOTINGS SHALL ALSO CONFORM TO SECTIONS R403.1.4.1 THROUGH R403.1.4.2.

R403.1.4.1 FROST PROTECTION. EXCEPT WHERE OTHERWISE PROTECTED FROM FROST, FOUNDATION WALLS, PIERS AND OTHER PERMANENT SUPPORTS OF BUILDINGS AND STRUCTURES SHALL BE PROTECTED FROM FROST BY ONE OR MORE OF THE FOLLOWING METHODS:

1. EXTENDED BELOW THE FROST LINE SPECIFIED IN TABLE R301.2.(1).
2. CONSTRUCTED IN ACCORDANCE WITH SECTION R403.3.
3. CONSTRUCTED IN ACCORDANCE WITH ASCE 32.
4. ERECTED NO SOLID ROCK.

FOOTINGS SHALL NOT BEAR ON FROZEN SOIL UNLESS THE FROZEN CONDITION IS PERMANENT.

NOTE: SEE SECTION R403.1.4.1 FOR EXCEPTIONS

R403.1.5 SLOPE. THE TOP SURFACE OF FOOTINGS SHALL BE LEVEL. THE BOTTOM SURFACE OF FOOTINGS SHALL NOT HAVE A SLOPE EXCEEDING ONE UNIT VERTICAL IN 10 UNITS HORIZONTAL (10-PERCENT SLOPE). FOOTINGS SHALL BE STEPPED WHERE IT IS NECESSARY TO CHANGE THE ELEVATION OF THE TOP SURFACE OF THE FOOTINGS OR WHERE THE SLOPE OF THE BOTTOM SURFACE OF THE FOOTINGS WILL EXCEED ONE UNIT VERTICAL IN 10 UNITS HORIZONTAL (10-PERCENT SLOPE).

R403.1.6 FOUNDATION ANCHORAGE. WOOD SILL PLATES AND WOOD WALLS SUPPORTED DIRECTLY ON CONTINUOUS FOUNDATIONS SHALL BE ANCHORED TO THE FOUNDATION IN ACCORDANCE WITH THIS SECTION. COLD-FORMED STEEL FRAMING SHALL BE ANCHORED DIRECTLY TO THE FOUNDATION OR FASTENED TO WOOD SILL PLATES IN ACCORDANCE WITH SECTION R505.3.1 OR R603.3.1, AS APPLICABLE. WOOD SILL PLATES SUPPORTING COLD-FORMED STEEL FRAMING SHALL BE ANCHORED TO THE FOUNDATION IN ACCORDANCE WITH THIS SECTION.

WOOD SOLE PLATES AT ALL EXTERIOR WALLS ON MONOLITHIC SLABS, WOOD SOLE PLATES OF BRACED WALL PANELS AT BUILDING INTERIORS ON MONOLITHIC SLABS AND ALL WOOD SILL PLATES SHALL BE ANCHORED TO THE FOUNDATION WITH MINIMUM 1/2-INCH DIAMETER (12.7 MM) ANCHOR BOLTS SPACED NOT GREATER THAN 6 FEET (1829 MM) ON CENTER OR APPROVED ANCHORS OR ANCHOR STRAPS SPACED AS REQUIRED TO PROVIDE EQUIVALENT ANCHORAGE TO 1/2-INCH-DIAMETER (12.7 MM) ANCHOR BOLTS. BOLTS SHALL EXTEND NOT LESS THAN 7 INCHES (178 MM) INTO CONCRETE OR GROUTED CELLS OF CONCRETE MASONRY UNITS. THE BOLTS SHALL BE LOCATED IN THE MIDDLE THIRD OF THE WIDTH OF THE PLATE. A NUT AND WASHER SHALL BE TIGHTENED ON EACH ANCHOR BOLT. THERE SHALL BE NOT FEWER THAN TWO BOLTS PER PLATE SECTION WITH ONE BOLT LOCATED NOT MORE THAN 12 INCHES (305 MM) OR LESS THAN SEVEN BOLT DIAMETERS FROM EACH END OF THE PLATE SECTION. INTERIOR BEARING WALL SOLE PLATES ON MONOLITHIC SLAB FOUNDATION THAT ARE NOT PART OF A BRACED WALL PANEL SHALL BE POSITIVELY ANCHORED WITH APPROVED FASTENERS. SILL PLATES AND SOLE PLATES SHALL BE PROTECTED AGAINST DECAY AND TERMITES WHERE REQUIRED BY SECTIONS R317 AND R318.

NOTE: SEE SECTION 403.1.6 FOR EXCEPTIONS

R403.1.6.1 FOUNDATION ANCHORAGE IN SEISMIC DESIGN CATEGORIES C, D0, D1 AND D2. IN ADDITION TO THE REQUIREMENTS OF SECTION R403.1.6, THE FOLLOWING REQUIREMENTS SHALL APPLY TO WOOD LIGHT-FRAME STRUCTURES IN SEISMIC DESIGN CATEGORIES D0, D1 AND D2 AND WOOD LIGHT-FRAME TOWNHOUSES IN SEISMIC DESIGN CAT. C.

NOTE: SEE SECTION 403.1.6.1 FOR REQUIREMENTS

R403.1.7 FOOTINGS ON OR ADJACENT TO SLOPES. THE PLACEMENT OF BUILDINGS AND STRUCTURES ON OR ADJACENT TO SLOPES STEEPER THAN ONE UNIT VERTICAL IN THREE UNITS HORIZONTAL (33.3-PERCENT SLOPE) SHALL CONFORM TO SECTIONS R403.1.7.1 THROUGH R403.1.7.4

R403.1.8 FOUNDATIONS ON EXPANSIVE SOILS. FOUNDATION AND FLOOR SLABS FOR BUILDINGS LOCATED ON EXPANSIVE SOILS SHALL BE DESIGNED IN ACCORDANCE WITH SECTION 1808.6 OF THE INTERNATIONAL BUILDING CODE.

NOTE: SEE SECTION 403.1.8 FOR EXCEPTION AND EXPANSIVE SOILS CLASSIFICATIONS.

R403.2 FOOTINGS FOR WOOD FOUNDATIONS. FOOTINGS FOR WOOD FOUNDATIONS SHALL BE IN ACCORDANCE WITH FIGURES R403.1(2) AND R403.1(3). GRAVEL SHALL BE WASHED AND WELL GRADED. THE MAXIMUM SIZE STONE SHALL NOT EXCEED 3/4 INCH (19.1 MM). GRAVEL SHALL BE FREE FROM ORGANIC, CLAYEY OR SILTY SOILS. SAND SHALL BE COARSE, NOT SMALLER THAN 1/16-INCH (1.6 MM) GRAINS AND SHALL BE FREE FROM ORGANIC, CLAYEY OR SILTY SOILS. CRUSHED STONE SHALL HAVE A MAXIMUM SIZE OF 1/2 INCH (12.7 MM).

R403.3 FROST-PROTECTED SHALLOW FOUNDATIONS. FOR BUILDINGS WHERE THE MONTHLY MEAN TEMPERATURE OF THE BUILDING IS MAINTAINED AT NOT LESS THAN 64°F (18°C), FOOTINGS ARE NOT REQUIRED TO EXTEND BELOW THE FROST LINE WHERE PROTECTED FROM FROST BY INSULATION IN ACCORDANCE WITH FIGURE R403.3(1) AND TABLE R403.3(1). FOUNDATIONS PROTECTED FROM FROST IN ACCORDANCE WITH FIGURE R403.3(1) AND TABLE R403.3(1) SHALL NOT BE USED FOR UNHEATED SPACES SUCH AS PORCHES, UTILITY ROOMS, GARAGES AND CARPORTS, AND SHALL NOT BE ATTACHED TO BASEMENTS OR CRAWL SPACES THAT ARE NOT MAINTAINED AT A MINIMUM MONTHLY MEAN TEMPERATURE OF 64°F (18°C). REFER TO SECTION 403 FOR THE FOLLOWING AREAS:

-R403.3.1 FOUNDATIONS ADJOINING FROST-PROTECTED SHALLOW FOUNDATIONS

-R403.3.2 PROTECTION OF HORIZONTAL INSULATION BELOW GROUND.

-R403.3.3 DRAINAGE.

-R403.3.4 TERMITES PROTECTION.

R403.4 FOOTINGS FOR PRECAST CONCRETE FOUNDATIONS. FOOTINGS FOR PRECAST CONCRETE FOUNDATIONS SHALL COMPLY WITH SECTION R403.4.

SECTION 404 FOUNDATION AND RETAINING WALLS

R404.1 CONCRETE AND MASONRY FOUNDATION WALLS. REFER TO SECTION 404.1 FOR FURTHER SPECIFICATIONS, NOTES AND DESIGN CRITERIA FOR CONCRETE AND MASONRY FOUNDATION WALLS.

R404.2 WOOD FOUNDATION WALLS. REFER TO SECTION 404.2 FOR FURTHER SPECIFICATIONS, NOTES AND DESIGN CRITERIA FOR WOOD FOUNDATION WALLS.

R404.3 WOOD SILL PLATES. WOOD SILL PLATES SHALL BE NOT LESS THAN 2-INCH BY 4-INCH (51 MM BY 102 MM) NOMINAL LUMBER. SILL PLATE ANCHORAGE SHALL BE IN ACCORDANCE WITH SECTIONS R403.1.6 AND R602.11.

R404.4 RETAINING WALLS. RETAINING WALLS THAT ARE NOT LATEROALLY SUPPORTED AT THE TOP AND THAT RETAIN IN EXCESS OF 48 INCHES (1219 MM) OF UNBALANCED FILL, OR RETAINING WALLS EXCEEDING 24 INCHES (610 MM) IN HEIGHT THAT RESIST LATERAL LOADS IN ADDITION TO SOIL, SHALL BE DESIGNED IN ACCORDANCE WITH ACCEPTED ENGINEERING PRACTICE TO ENSURE STABILITY AGAINST OVERTURNING, SLIDING, EXCESSIVE FOUNDATION PRESSURE AND WATER UPLIFT. RETAINING WALLS SHALL BE DESIGNED FOR A SAFETY FACTOR OF 1.5 AGAINST LATERAL SLIDING AND OVERTURNING. THIS SECTION SHALL NOT APPLY TO FOUNDATION WALLS SUPPORTING BUILDINGS.

R404.5 PRECAST CONCRETE FOUNDATION WALLS. REFER TO SECTION 404.5 FOR FURTHER SPECIFICATIONS, NOTES AND DESIGN CRITERIA FOR PRECAST CONCRETE FOUNDATION WALLS.

SECTION R405 FOUNDATION DRAINAGE

R405.1 CONCRETE OR MASONRY FOUNDATIONS. DRAINS SHALL BE PROVIDED AROUND CONCRETE OR MASONRY FOUNDATIONS THAT RETAIN EARTH AND ENCLOSE HABITABLE OR USABLE SPACES LOCATED BELOW GRADE. DRAINAGE TILES, GRAVEL OR CRUSHED STONE DRAINS, PERFORATED PIPE OR OTHER APPROVED SYSTEMS OR MATERIALS SHALL BE INSTALLED AT OR BELOW THE TOP OF THE FOOTING OR BELOW THE BOTTOM OF THE SLAB AND SHALL DISCHARGE BY GRAVITY OR MECHANICAL MEANS INTO AN APPROVED DRAINAGE SYSTEM. GRAVEL OR CRUSHED STONE DRAINS SHALL EXTEND NOT LESS THAN 1 FOOT (305 MM) BEYOND THE OUTSIDE EDGE OF THE FOOTING AND 6 INCHES (152 MM) ABOVE THE TOP OF THE FOOTING AND BE COVERED WITH AN APPROVED FILTER MEMBRANE MATERIAL. THE TOP OF OPEN JOINTS OF DRAIN TILES SHALL BE PROTECTED WITH STRIPS OF BUILDING PAPER. EXCEPT WHERE OTHERWISE RECOMMENDED BY THE DRAIN MANUFACTURER, PERFORATED DRAINS SHALL BE SURROUNDED WITH AN APPROVED FILTER MEMBRANE OR THE FILTER MEMBRANE SHALL COVER THE WASHED GRAVEL OR CRUSHED ROCK COVERING THE DRAIN. DRAINAGE TILES OR PERFORATED PIPE SHALL BE PLACED ON NOT LESS THAN 2 INCHES (51 MM) OF WASHED GRAVEL OR CRUSHED ROCK NOT LESS THAN ONE SIEVE SIZE LARGER THAN THE TILE JOINT OPENING OR PERFORATION AND COVERED WITH NOT LESS THAN 6 INCHES (152 MM) OF THE SAME MATERIAL.

REFER TO SECTION 405 FOR FURTHER SPECIFICATIONS, NOTES AND DESIGN CRITERIA FOR PRECAST CONCRETE FOUNDATION WALLS.

SECTION R406 FOUNDATION WATER-PROOFING AND DAMP-PROOFING

REFER TO SECTION 406 FOR FURTHER SPECIFICATIONS, NOTES AND DESIGN CRITERIA FOR WATER-PROOFING AND DAMP-PROOFING FOUNDATIONS INCLUDING THE FOLLOWING AREAS:

-R406.1 CONCRETE AND MASONRY FOUNDATION DAMPPROOFING.

-R406.2 CONCRETE AND MASONRY FOUNDATION WATERPROOFING.

-R406.3 DAMPPROOFING FOR WOOD FOUNDATIONS.

-R406.4 PRECAST CONCRETE FOUNDATION SYSTEM DAMPPROOFING.

SECTION R407 COLUMNS

REFER TO SECTION 407 FOR FURTHER SPECIFICATIONS, NOTES AND DESIGN CRITERIA FOR COLUMNS INCLUDING THE FOLLOWING AREAS:

-R407.1 WOOD COLUMN PROTECTION.

-R407.2 STEEL COLUMN PROTECTION.

-R407.3 STRUCTURAL REQUIREMENTS.

SECTION R408 UNDER-FLOOR SPACE

REFER TO SECTION 408 FOR FURTHER SPECIFICATIONS, NOTES AND DESIGN CRITERIA FOR UNDER-FLOOR SPACE INCLUDING THE FOLLOWING AREA:

-R408.1 VENTILATION.

-R408.2 OPENINGS FOR UNDER-FLOOR VENTILATION.

-R408.3 UN-VENTED CRAWL SPACE.

-R408.4 ACCESS.

-R408.5 REMOVAL OF DEBRIS.

-R408.6 FINISHED GRADE.

-R408.7 FLOOD RESISTANCE.

CHAPTER 5 :: FLOORS

SECTION R501 GENERAL

R501.1 APPLICATION. THE PROVISIONS OF THIS CHAPTER SHALL CONTROL THE DESIGN AND CONSTRUCTION OF THE FLOORS FOR BUILDINGS, INCLUDING THE FLOORS OF ATTIC SPACES USED TO HOUSE MECHANICAL OR PLUMBING FIXTURES AND EQUIPMENT.

R501.2 REQUIREMENTS. FLOOR CONSTRUCTION SHALL BE CAPABLE OF ACCOMMODATING ALL LOADS IN ACCORDANCE WITH SECTION R301 AND OF TRANSMITTING THE RESULTING LOADS TO THE SUPPORTING STRUCTURAL ELEMENTS.

SECTION R502 WOOD FLOOR FRAMING

R502.1 GENERAL. WOOD AND WOOD-BASED PRODUCTS USED FOR LOAD-SUPPORTING PURPOSES SHALL CONFORM TO THE APPLICABLE PROVISIONS OF THIS SECTION. SEE SECTIONS 502.1.1 THROUGH 502.1.7 FOR FURTHER SPECIFICATIONS.

R502.2 DESIGN AND CONSTRUCTION. FLOORS SHALL BE DESIGNED AND CONSTRUCTED IN ACCORDANCE WITH THE PROVISIONS OF THIS CHAPTER, FIGURE R502.2 AND SECTIONS R317 AND R318 OR IN ACCORDANCE WITH ANSI AWC NDS. SEE SECTIONS 502.2.1 THROUGH 502.2.2 FOR FURTHER SPECIFICATIONS.

R502.3 ALLOWABLE JOIST SPANS. SPANS FOR FLOOR JOISTS SHALL BE IN ACCORDANCE WITH TABLES R502.3.1(1) AND R502.3.1(2). FOR OTHER GRADES AND SPECIES AND FOR OTHER LOADING CONDITIONS, REFER TO THE AWC STJR. SEE SECTIONS 502.3.1 THROUGH 502.3.3 FOR FURTHER SPECIFICATIONS.

R502.4 JOISTS UNDER BEARING PARTITIONS. JOISTS UNDER PARALLEL BEARING PARTITIONS SHALL BE OF ADEQUATE SIZE TO SUPPORT THE LOAD.DOUBLE JOISTS, SIZED TO ADEQUATELY SUPPORT THE LOAD, THAT ARE SEPARATED TO PERMIT THE INSTALLATION OF PIPING OR VENTS SHALL BE FULL DEPTH SOLID BLOCKED WITH LUMBER NOT LESS THAN 2 INCHES (51 MM) IN NOMINAL THICKNESS SPACED NOT MORE THAN 4 FEET (1219 MM) ON CENTER. BEARING PARTITIONS PERPENDICULAR TO JOISTS SHALL NOT BE OFFSET FROM SUPPORTING GIRDERS, WALLS OR PARTITIONS MORE THAN THE JOIST DEPTH UNLESS SUCH JOISTS ARE OF SUFFICIENT SIZE TO CARRY THE ADDITIONAL LOAD.

R502.5 ALLOWABLE GIRDER AND HEADER SPANS. THE ALLOWABLE SPANS OF GIRDERS AND HEADERS FABRICATED OF DIMENSION LUMBER SHALL NOT EXCEED THE VALUES SET FORTH IN TABLES R602.7(1), R602.7(2) AND R602.7(3).

R502.6 BEARING. THE ENDS OF EACH JOIST, BEAM OR GIRDER SHALL HAVE NOT LESS THAN 1 1/2 INCHES (38 MM) OF BEARING ON WOOD OR METAL, NOT LESS THAN 3 INCHES (76 MM) OF BEARING ON MASONRY OR CONCRETEOR BE SUPPORTED BY APPROVED JOIST HANGERS. ALTERNATIVELY, THE ENDS OF JOISTS SHALL BE SUPPORTED ON A 1-INCH BY 4-INCH (25 MM BY 102 MM) RIBBON STRIP AND SHALL BE NAILED TO THE ADJACENT STUD. THE BEARING ON MASONRY OR CONCRETE SHALL BE DIRECT, OR A SILL PLATE OF 2-INCH-MINIMUM (51 mm) NOMINAL THICKNESS SHALL BE PROVIDED UNDER THE JOIST, BEAM OR GIRDER. THE SILL PLATE SHALL PROVIDE A MINIMUM NOMINAL BEARING AREA OF 48 SQUARE INCHES (30 865 MM2). SEE SECTIONS 502.6.1 THROUGH 502.6.2 FOR FURTHER SPECIFICATIONS. REFER TO THE IRC FOR FURTHER INFORMATION ON THE FOLLOWING AREAS:

-R502.7 LATERAL RESTRAINT AT SUPPORTS.

-R502.8 CUTTING, DRILLING AND NOTCHING.

-R502.9 FASTENING.

-R502.10 FRAMING OF OPENINGS.

-R502.11 WOOD TRUSSES.

-R502.12 DRAFTSTOPPING REQUIRED.

-R502.13 FIREBLOCKING REQUIRED.

REFER TO THE IRC FOR THE FOLLOWING SECTIONS:

SECTION 503 FLOOR SHEATHING

SECTION 504 PRESSURE PRESERVATIVE TREATED WOOD FLOORS

SECTION 505 COLD-FORMED STEEL FLOOR FRAMING

SECTION R506 CONCRETE FLOORS (ON GROUND)

R506.1 GENERAL. CONCRETE SLAB-ON-GROUND FLOORS SHALL BE DESIGNED AND CONSTRUCTED IN ACCORDANCE WITH THE PROVISIONS OF THIS SECTION OR ACI 332. FLOORS SHALL BE A MINIMUM 3 1/2 INCHES (89 MM) THICK (FOR EXPANSIVE SOILS. SEE SECTION R403.1.8). THE SPECIFIED COMPRESSIVE STRENGTH OF CONCRETE SHALL BE AS SET FORTH IN SECTION R402.2.

R506.2 SITE PREPARATION. THE AREA WITHIN THE FOUNDATION WALLS SHALL HAVE ALL VEGETATION, TOP SOIL AND FOREIGN MATERIAL REMOVED.

R506.2.1 FILL. FILL MATERIAL SHALL BE FREE OF VEGETATION AND FOREIGN MATERIAL. THE FILL SHALL BE COMPACTED TO ENSURE UNIFORM SUPPORT OF THE SLAB, AND EXCEPT WHERE APPROVED, THE FILL DEPTHS SHALL NOT EXCEED 24 INCHES (610 MM) FOR CLEAN SAND OR GRAVEL AND 8 INCHES (203 MM) FOR EARTH.

R506.2.2 BASE.
A 4-INCH-THICK (102 MM) BASE COURSE CONSISTING OF CLEAN GRADED SAND, GRAVEL, CRUSHED STONE, CRUSHED CONCRETE OR CRUSHED BLAST-FURNACE SLAG PASSING A 2-INCH (51 MM) SIEVE SHALL BE PLACED ON THE PREPARED SUBGRADE WHERE THE SLAB IS BELOW GRADE.
NOTE: SEE SECTION 506.2.2 FOR EXCEPTION
R506.2.3 VAPOR RETARDER.
A 6-MIL (0.006 INCH; 152 MM) POLYETHYLENE OR APPROVED VAPOR RETARDER WITH JOINTS LAPPED NOT LESS THAN 6 INCHES (152 MM) SHALL BE PLACED BETWEEN THE CONCRETE FLOOR SLAB AND THE BASE COURSE OR THE PREPARED SUBGRADE WHERE A BASE COURSE DOES NOT EXIST.
NOTE: SEE SECTION R506.2.3 FOR EXCEPTIONS
R506.2.4 REINFORCEMENT SUPPORT.
WHERE PROVIDED IN SLABS-ON-GROUND, REINFORCEMENT SHALL BE SUPPORTED TO REMAIN IN PLACE FROM THE CENTER TO UPPER ONE-THIRD OF THE SLAB FOR THE DURATION OF THE CONCRETE PLACEMENT.
SECTION R507 DECKS
R507.1 DECKS.
WOOD-FRAMED DECKS SHALL BE IN ACCORDANCE WITH THIS SECTION. FOR DECKS USING MATERIALS AND CONDITIONS NOT PRESCRIBED IN THIS SECTIONS, REFER TO SECTION R301.
R507.2 MATERIALS.
MATERIALS USED FOR THE CONSTRUCTION OF DECKS SHALL COMPLY WITH THIS SECTION.
R507.2.1 WOOD MATERIALS.
WOOD MATERIALS SHALL BE NO. 2 GRADE OR BETTER LUMBER PRESERVATIVE-TREATED IN ACCORDANCE WITH SECTION R317, OR APPROVED, NATURALLY DURABLE LUMBER, AND TERMITE PROTECTED WHERE REQUIRED IN ACCORDANCE WITH SECTION R318. WHERE DESIGN IN ACCORDANCE WITH SECTION R301 IS PROVIDED, WOOD STRUCTURAL MEMBERS SHALL BE DESIGNED USING THE WET SERVICE FACTOR DEFINED IN AWC NDS. CUTS, NOTCHES, AND DRILLED HOLES OF PRESERVATIVE TREATED WOOD MEMBERS SHALL BE TREATED IN ACCORDANCE WITH SECTION R317.1.1. ALL PRESERVATIVE-TREATED WOOD PRODUCTS IN CONTACT WITH THE GROUND SHALL BE LABELED FOR SUCH USAGE.
R507.2.1.1 ENGINEERED WOOD PRODUCTS.
ENGINEERED WOOD PRODUCTS SHALL BE IN ACCORDANCE WITH SECTION R502.
R507.2.2 PLASTIC COMPOSITE DECK BOARDS, STAIR TREADS, GUARDS, OR HANDRAILS.
PLASTIC COMPOSITE EXTERIOR DECK BOARDS, STAIR TREADS, GUARDS AND HANDRAILS SHALL COMPLY WITH THE REQUIREMENTS OF ASTM D7032 AND SECTION R507.3. SEE SECTIONS R507.2.2.1 THROUGH R507.2.2.5 AND SECTIONS R507.2.3 THROUGH R507.2.5 FOR FURTHER SPECIFICATIONS.
R507.2.3 FASTENERS AND CONNECTORS.
METAL FASTENERS AND CONNECTORS USED FOR ALL DECKS SHALL BE IN ACCORDANCE WITH SECTION R317.3 AND TABLE R507.2.3.
R507.3 FOOTINGS
REFER TO THE IRC FOR INFORMATION REGARDING FOOTINGS.
R507.4 DECK POSTS.
FOR SINGLE-LEVEL WOOD-FRAMED DECKS WITH BEAMS SIZED IN ACCORDANCE WITH TABLE R507.5, DECK POST SIZE SHALL BE IN ACCORDANCE WITH TABLE R507.4.
R507.4.1 DECK POST TO FOOTING CONNECTION.
WHERE POSTS BEAR ON CONCRETE FOOTINGS IN ACCORDANCE WITH SECTION R403 AND FIGURE R507.4.1, LATERAL RESTRAINT SHALL BE PROVIDED BY MANUFACTURED CONNECTORS OR A MINIMUM POST EMBEDMENT OF 12 INCHES (305 MM) IN SURROUNDING SOILS OR CONCRETE PIERS. OTHER FOOTING SYSTEMS SHALL BE PERMITTED.
NOTE: SEE SECTION R507.4.1 FOR EXCEPTIONS
R507.5 DECK BEAMS.
MAXIMUM ALLOWABLE SPANS FOR WOOD DECK BEAMS, AS SHOWN IN FIGURE R507.5, SHALL BE IN ACCORDANCE WITH TABLE R507.5. BEAM PILES SHALL BE FASTENED WITH TWO ROWS OF 10D (3-INCH X 0.128-INCH) NAILS MINIMUM AT 16 INCHES (406 MM) ON CENTER ALONG EACH EDGE. BEAMS SHALL BE PERMITTED TO CANTILEVER AT EACH END UP TO ONE-FOURTH OF THE ALLOWABLE BEAM SPAN. DECK BEAMS OF OTHER MATERIALS SHALL BE PERMITTED WHERE DESIGNED IN ACCORDANCE WITH ACCEPTED ENGINEERING PRACTICES.
R507.7 DECKING.
MAXIMUM ALLOWABLE SPACING FOR JOISTS SUPPORTING DECKING SHALL BE IN ACCORDANCE WITH TABLE R507.7. WOOD DECKING SHALL BE ATTACHED TO EACH SUPPORTING MEMBER WITH NOT LESS THAN TWO 8D THREADED NAILS OR TWO NO. 8 WOOD SCREWS. OTHER APPROVED DECKING OR FASTENER SYSTEMS SHALL BE INSTALLED IN ACCORDANCE WITH THE MANUFACTURER'S INSTALLATION REQUIREMENTS.

R507.8 VERTICAL AND LATERAL SUPPORTS.
WHERE SUPPORTED BY ATTACHMENT TO AN EXTERIOR WALL, DECKS SHALL BE POSITIVELY ANCHORED TO THE PRIMARY STRUCTURE AND DESIGNED FOR BOTH VERTICAL AND LATERAL LOADS. SUCH ATTACHMENT SHALL NOT BE ACCOMPLISHED BY THE USE OF TOENAILS OR NAILS SUBJECT TO WITHDRAWAL. FOR DECKS WITH CANTILEVERED FRAMING MEMBERS, CONNECTION TO EXTERIOR WALLS OR OTHER FRAMING MEMBERS SHALL BE DESIGNED AND CONSTRUCTED TO RESIST UPLIFT RESULTING FROM THE FULL LIVE LOAD SPECIFIED IN TABLE R301.5 ACTING ON THE CANTILEVERED PORTION OF THE DECK. WHERE POSITIVE CONNECTION TO THE PRIMARY BUILDING STRUCTURE CANNOT BE VERIFIED DURING INSPECTION, DECKS SHALL BE SELF-SUPPORTING.
R507.8.1 DECK POST TO DECK FOOTING.
POSTS SHALL BEAR ON FOOTINGS IN ACCORDANCE WITH SECTION R403 AND FIGURE R507.8.1. POSTS SHALL BE RESTRAINED TO PREVENT LATERAL DISPLACEMENT AT THE BOTTOM SUPPORT. SUCH LATERAL RESTRAINT SHALL BE PROVIDED BY MANUFACTURED CONNECTORS INSTALLED IN ACCORDANCE WITH SECTION R507 AND THE MANUFACTURERS' INSTRUCTIONS OR A MINIMUM POST EMBEDMENT OF 12 INCHES (305 MM) IN SURROUNDING SOILS OR CONCRETE PIERS.
CHAPTER 6 :: WALL CONSTRUCTION
SECTION R601 GENERAL
R601.1 APPLICATION.
THE PROVISIONS OF THIS CHAPTER SHALL CONTROL THE DESIGN AND CONSTRUCTION OF WALLS AND PARTITIONS FOR BUILDINGS.
R601.2 REQUIREMENTS.
WALL CONSTRUCTION SHALL BE CAPABLE OF ACCOMMODATING ALL LOADS IMPOSED IN ACCORDANCE WITH SECTION R301 AND OF TRANSMITTING THE RESULTING LOADS TO THE SUPPORTING STRUCTURAL ELEMENTS.
SECTION R602 WOOD WALL FRAMING
R602.1 GENERAL.
WOOD AND WOOD-BASED PRODUCTS USED FOR LOAD SUPPORTING PURPOSES SHALL CONFORM TO THE APPLICABLE PROVISIONS OF THIS SECTION. SEE SECTIONS 602.6.1 THROUGH 602.6.10 FOR FURTHER SPECIFICATIONS.
R602.2 GRADE. STUDS SHALL BE A MINIMUM NO. 3, STANDARD OR STUD GRADE LUMBER.
NOTE: SEE SECTION 506.2.2 FOR EXCEPTION
R602.3 DESIGN AND CONSTRUCTION.
EXTERIOR WALLS OF WOODFRAME CONSTRUCTION SHALL BE DESIGNED AND CONSTRUCTED IN ACCORDANCE WITH THE PROVISIONS OF THIS CHAPTER AND FIGURES R602.3(1) AND R602.3(2). OR IN ACCORDANCE WITH AWC NDS. COMPONENTS OF EXTERIOR WALLS SHALL BE FASTENED IN ACCORDANCE WITH TABLES R602.3(1) THROUGH R602.3(4). WALL SHEATHING SHALL BE FASTENED DIRECTLY TO FRAMING MEMBERS AND, WHERE PLACED ON THE EXTERIOR SIDE OF AN EXTERIOR WALL, SHALL BE CAPABLE OF RESISTING THE WIND PRESSURES LISTED IN TABLE R301.2(2) ADJUSTED FOR HEIGHT AND EXPOSURE USING TABLE R301.2(3) AND SHALL CONFORM TO THE REQUIREMENTS OF TABLE R602.3(3). WALL SHEATHING USED ONLY FOR EXTERIOR WALL COVERING PURPOSES SHALL COMPLY WITH SECTION R703. STUDS SHALL BE CONTINUOUS FROM SUPPORT AT THE SOLE PLATE TO A SUPPORT AT THE TOP PLATE TO RESIST LOADS PERPENDICULAR TO THE WALL. THE SUPPORT SHALL BE FOUNDATION OR FLOOR, CEILING OR ROOF DIAPHRAGM OR SHALL BE DESIGNED IN ACCORDANCE WITH ACCEPTED ENGINEERING PRACTICE.
NOTE: SEE SECTION 506.2.3 FOR EXCEPTION
SEE SECTIONS 602.3.1 THROUGH 602.3.5 FOR FURTHER SPECIFICATIONS.
REFER TO THE IRC FOR FURTHER INFORMATION ON THE FOLLOWING AREAS:
R602.4 INTERIOR LOAD-BEARING WALLS.
R602.5 INTERIOR NONBEARING WALLS.
R602.6 DRILLING AND NOTCHING OF STUDS.
R602.7 HEADERS.
R602.8 FIREBLOCKING REQUIRED.
R602.9 CRIPPLE WALLS.
R602.10 WALL BRACING.
BUILDINGS SHALL BE BRACED IN ACCORDANCE WITH THIS SECTION OR, WHEN APPLICABLE, SECTION R602.12. WHERE A BUILDING, OR PORTION THEREOF, DOES NOT COMPLY WITH ONE OR MORE OF THE BRACING REQUIREMENTS IN THIS SECTION, THOSE PORTIONS SHALL BE DESIGNED AND CONSTRUCTED IN ACCORDANCE WITH SECTION R301.1.
REFER TO SECTION 602.10.1 THROUGH 602.10.12 FOR BRACED WALL PANELS, DESIGN AND CRITERIA.

REFER TO THE IRC FOR THE FOLLOWING SECTIONS:
SECTION 603 COLD-FORMED STEEL WALL FRAMING
SECTION 604 WOOD STRUCTURAL PANELS
SECTION 605 PARTICLEBOARD
SECTION 606 GENERAL MASONRY CONSTRUCTION
SECTION 607 GLASS UNIT MASONRY
SECTION 608 EXTERIOR CONC. WALL CONSTRUCTION
SECTION 609 (SEE BELOW)
SECTION R610 STRUCTURAL INSULATED PANEL WALL CONSTRUCTION
SECTION R609 EXTERIOR WINDOWS AND DOORS.
R609.1 GENERAL.
THIS SECTION PRESCRIBES PERFORMANCE AND CONSTRUCTION REQUIREMENTS FOR EXTERIOR WINDOWS AND DOORS INSTALLED IN WALLS, WINDOWS AND DOORS SHALL BE INSTALLED AND FLASHED IN ACCORDANCE WITH THE FENESTRATION MANUFACTURER'S WRITTEN INSTRUCTIONS. WINDOW AND DOOR OPENINGS SHALL BE FLASHED IN ACCORDANCE WITH SECTION R703.4. WRITTEN INSTALLATION INSTRUCTIONS SHALL BE PROVIDED BY THE FENESTRATION MANUFACTURER FOR EACH WINDOW OR DOOR.
R609.2 PERFORMANCE. EXTERIOR WINDOWS AND DOORS SHALL BE CAPABLE OF RESISTING THE DESIGN WIND LOADS SPECIFIED IN TABLE R301.2(2) ADJUSTED FOR HEIGHT AND EXPOSURE IN ACCORDANCE WITH TABLE R301.2(3) OR DETERMINED IN ACCORDANCE WITH ASCE 7 USING THE ALLOWABLE STRESS DESIGN LOAD COMBINATIONS OF ASCE 7. FOR EXTERIOR WINDOWS AND DOORS TESTED IN ACCORDANCE WITH SECTIONS R609.3 AND R609.5, REQUIRED DESIGN WIND PRESSURES DETERMINED FROM ASCE 7 USING THE ULTIMATE STRENGTH DESIGN (USD) ARE PERMITTED TO BE MULTIPLIED BY 0.6. DESIGN WIND LOADS FOR EXTERIOR GLAZING NOT PART OF A LABELED ASSEMBLY SHALL BE PERMITTED TO BE DETERMINED IN ACCORDANCE WITH CHAPTER 24 OF THE IRC. DESIGN WIND LOADS FOR EXTERIOR GLAZING NOT PART OF A LABELED ASSEMBLY SHALL BE PERMITTED TO BE DETERMINED IN ACCORDANCE WITH CHAPTER 24 OF THE INTERNATIONAL BUILDING CODE.
R609.4 GARAGE DOORS.
GARAGE DOORS SHALL BE TESTED IN ACCORDANCE WITH EITHER ASTM E330 OR ANSIDASMA 108, AND SHALL MEET THE ACCEPTANCE CRITERIA OF ANSIDASMA 108.
CHAPTER 7 :: INTERIOR COVERING
R702.1 GENERAL.
INTERIOR COVERINGS OR WALL FINISHES SHALL BE INSTALLED IN ACCORDANCE WITH THIS CHAPTER AND TABLE R702.1(1), TABLE R702.1(2), TABLE R702.1(3) AND TABLE R702.3.5. INTERIOR MASONRY VENEER SHALL COMPLY WITH THE REQUIREMENTS OF SECTION R703.7.1 FOR SUPPORT AND SECTION R703.7.4 FOR ANCHORAGE, EXCEPT AN AIRSPACE IS NOT REQUIRED. INTERIOR FINISHES AND MATERIALS SHALL CONFORM TO THE FLAME SPREAD AND SMOKE DEVELOPMENT REQUIREMENTS OF SECTION R302.9.
SEE SECTIONS 702.2 THROUGH 702.7 FOR FURTHER SPECIFICATIONS.
SECTION R703 EXTERIOR COVERING
R703.1 GENERAL.
EXTERIOR WALLS SHALL PROVIDE THE BUILDING WITH A WEATHER-RESISTANT EXTERIOR WALL ENVELOPE. THE EXTERIOR WALL ENVELOPE SHALL INCLUDE FLASHING AS DESCRIBED IN SECTION R703.4.
R703.2 WATER-RESISTIVE BARRIER.
ONE LAYER OF NO. 15 ASPHALT FELT, FREE FROM HOLES AND BREAKS, COMPLYING WITH ASTM D226 FOR TYPE 1 FELT OR OTHER APPROVED WATER-RESISTIVE BARRIER SHALL BE APPLIED OVER STUDS OR SHEATHING OF ALL EXTERIOR WALLS. NO. 15 ASPHALT FELT SHALL BE APPLIED HORIZONTALLY, WITH THE UPPER LAYER LAPPED OVER THE LOWER LAYER NOT LESS THAN 2 INCHES (51 MM), WHERE JOINTS OCCUR, FELT SHALL BE LAPPED NOT LESS THAN 6 INCHES (152 MM). OTHER APPROVED MATERIALS SHALL BE INSTALLED IN ACCORDANCE WITH THE WATER-RESISTIVE BARRIER MANUFACTURER'S INSTALLATION INSTRUCTIONS. NO. 15 ASPHALT FELT OR OTHER APPROVED WATER-RESISTIVE BARRIER MATERIAL SHALL BE CONTINUOUS TO THE TOP OF WALLS AND TERMINATED AT PENETRATIONS AND BUILDING APPENDAGES IN A MANNER TO MEET THE REQUIREMENTS OF THE EXTERIOR WALL ENVELOPE AS DESCRIBED IN SECTION R703.1.
R703.3.3 FASTENERS.
EXTERIOR WALL COVERINGS AND ROOF OVERHANG SOFFITS SHALL BE SECURELY FASTENED WITH ALUMINUM, GALVANIZED, STAINLESS STEEL OR RUST-PREVENTATIVE COATED NAILS OR STAPLES IN ACCORDANCE WITH TABLE R703.3(1) OR WITH OTHER APPROVED CORROSION-RESISTANT FASTENERS IN ACCORDANCE WITH THE WALL COVERING MANUFACTURER'S INSTALLATION INSTRUCTIONS. NAILS AND STAPLES SHALL COMPLY WITH ASTM F1667. NAILS SHALL BE T-HEAD, MODIFIED ROUND HEAD, OR ROUND HEAD WITH SMOOTH OR DEFORMED SHANKS. STAPLES SHALL HAVE A MINIMUM CROWN WIDTH OF 7/16 INCH (11.1 MM) OUTSIDE DIAMETER AND BE MANUFACTURED OF MINIMUM 16-GAUGE WIRE. WHERE FIBERBOARD, GYPSUM, OR FOAM PLASTIC SHEATHING BACKING IS USED, NAILS OR STAPLES SHALL BE DRIVEN INTO THE STUDS. WHERE WOOD OR WOOD STRUCTURAL PANEL SHEATHING IS USED, FASTENERS SHALL BE DRIVEN INTO STUDS UNLESS OTHERWISE PERMITTED TO BE DRIVEN INTO SHEATHING IN ACCORDANCE WITH EITHER THE SIDING MANUFACTURER'S INSTALLATION INSTRUCTIONS OR TABLE R703.3.2.

R703.4 FLASHING.
APPROVED CORROSION-RESISTANT FLASHING SHALL BE APPLIED SHINGLE-FASHION IN A MANNER TO PREVENT ENTRY OF WATER INTO THE WALL CAVITY OR PENETRATION OF WATER TO THE BUILDING STRUCTURAL FRAMING COMPONENTS. SELF-ADHERED MEMBRANES USED AS FLASHING SHALL COMPLY WITH AAMA 711. FLUID-APPLIED MEMBRANES USED AS FLASHING IN EXTERIOR WALLS SHALL COMPLY WITH AAMA 714. THE FLASHING SHALL EXTEND TO THE SURFACE OF THE EXTERIOR WALL FINISH. APPROVED CORROSION-RESISTANT FLASHINGS SHALL BE INSTALLED AT THE FOLLOWING LOCATIONS:
1. EXTERIOR WINDOW AND DOOR OPENINGS. FLASHING AT EXTERIOR WINDOW AND DOOR OPENINGS SHALL EXTEND TO THE SURFACE OF THE EXTERIOR WALL FINISH OR TO THE WATER-RESISTIVE BARRIER COMPLYING WITH SECTION 703.2 FOR SUBSEQUENT DRAINAGE. MECHANICALLY ATTACHED FLEXIBLE FLASHINGS SHALL COMPLY WITH AAMA 712. FLASHING AT EXTERIOR WINDOW AND DOOR OPENINGS SHALL BE INSTALLED IN ACCORDANCE WITH ONE OR MORE OF THE FOLLOWING:
REFER TO SECTION 1.1 THROUGH 1.3 FOR FURTHER SPECIFICATIONS.
REFER TO THE IRC FOR FURTHER INFORMATION ON THE FOLLOWING AREAS:
-R703.5 WOOD, HARDBOARD AND WOOD STRUCTURAL PANEL SIDING.
-R703.6 WOOD SHAKES AND SHINGLES.
-R703.7 EXTERIOR PLASTER.
-R703.8 ANCHORED STONE AND MASONRY VENEER, GENERAL.
-R703.9 EXTERIOR INSULATION AND FINISH SYSTEM (EIFS)/EIFS WITH DRAINAGE.
-R703.10 FIBER CEMENT SIDING.
-R703.11 VINYL SIDING.
-R703.12 ADHERED MASONRY VENEER INSTALLATION.
-R703.13 INSULATED VINYL SIDING.
-R703.14 POLYPROPYLENE SIDING.
-R703.15 CLADDING ATTACHMENT OVER FOAM SHEATHING TO WOOD FRAMING.
-R703.16 CLADDING ATTACHMENT OVER FOAM SHEATHING TO COLD-FORMED STEEL FRAMING.
-R703.17 CLADDING ATTACHMENT OVER FOAM SHEATHING TO MASONRY OR CONCRETE WALL CONSTRUCTION.
CHAPTER 8 :: WOOD ROOF FRAMING
R802.1 GENERAL.
WOOD AND WOOD-BASED PRODUCTS USED FOR LOAD SUPPORTING PURPOSES SHALL CONFORM TO THE APPLICABLE PROVISIONS OF THIS SECTION.
SEE SECTIONS 802.1.1 THROUGH 802.1.7 FOR FURTHER SPECIFICATIONS.
R802.2 DESIGN AND CONSTRUCTION.
THE FRAMING DETAILS REQUIRED IN SECTION R802 APPLY TO ROOFS HAVING A MINIMUM SLOPE OF THREE UNITS VERTICAL IN 12 UNITS HORIZONTAL (25-PERCENT SLOPE) OR GREATER. ROOF-CEILINGS SHALL BE DESIGNED AND CONSTRUCTED IN ACCORDANCE WITH THE PROVISIONS OF THIS CHAPTER AND FIGURES R606.11(1), R606.11(2) AND R606.11(3) OR IN ACCORDANCE WITH AWC NDS. COMPONENTS OF ROOF-CEILINGS SHALL BE FASTENED IN ACCORDANCE WITH TABLE R602.3(1).
R802.3 FRAMING DETAILS.
RAFTERS SHALL BE FRAMED NOT MORE THAN 1 1/2-INCHES (38 MM) OFFSET FROM EACH OTHER TO RIDGE BOARD OR DIRECTLY OPPOSITE FROM EACH OTHER WITH A GUSSET PLATE AS A TIE. RIDGE BOARD SHALL BE NOT LESS THAN 1-INCH (25 MM) NOMINAL THICKNESS AND NOT LESS IN DEPTH THAN THE CUT END OF THE RAFTER. AT VALLEYS AND HIPS THERE SHALL BE A VALLEY OR HIP RAFTER NOT LESS THAN 2-INCH (51 MM) NOMINAL THICKNESS AND NOT LESS IN DEPTH THAN THE CUT END OF THE RAFTER. HIP AND VALLEY RAFTERS SHALL BE SUPPORTED AT THE RIDGE BY A BRACE TO A BEARING PARTITION OR BE DESIGNED TO CARRY AND DISTRIBUTE THE SPECIFIC LOAD AT THAT POINT. WHERE THE ROOF PITCH IS LESS THAN THREE UNITS VERTICAL IN 12 UNITS HORIZONTAL (25-PERCENT SLOPE), STRUCTURAL MEMBERS THAT SUPPORT RAFTERS AND CEILING JOISTS, SUCH AS RIDGE BEAMS, HIPS AND VALLEYS, SHALL BE DESIGNED AS BEAMS.
REFER TO THE IRC FOR FURTHER INFORMATION ON THE FOLLOWING AREAS:
R802.4 ALLOWABLE CEILING JOIST SPANS.
R802.5 ALLOWABLE RAFTER SPANS.
R802.6 BEARING.
R802.7 CUTTING, DRILLING AND NOTCHING.
R802.8 LATERAL SUPPORT.
R802.9 FRAMING OF OPENINGS.

R802.10 WOOD TRUSSES.
R802.10.1 TRUSS DESIGN DRAWINGS. TRUSS DESIGN DRAWINGS, PREPARED IN CONFORMANCE TO SECTION R802.10.1, SHALL BE PROVIDED TO THE BUILDING OFFICIAL AND APPROVED PRIOR TO INSTALLATION. TRUSS DESIGN DRAWINGS SHALL BE PROVIDED WITH THE SHIPMENT OF TRUSSES DELIVERED TO THE JOB SITE. TRUSS DESIGN DRAWINGS SHALL INCLUDE, AT A MINIMUM, THE FOLLOWING INFORMATION:
REFER TO SECTION 802.10.1 (1-12 FOR MINIMUM INFORMATION)
R802.10.2 DESIGN.
WOOD TRUSSES SHALL BE DESIGNED IN ACCORDANCE WITH ACCEPTED ENGINEERING PRACTICE. THE DESIGN AND MANUFACTURE OF METAL-PLATE-CONNECTED WOOD TRUSSES SHALL COMPLY WITH ANSIT/PTI 1. THE TRUSS DESIGN DRAWINGS SHALL BE PREPARED BY A REGISTERED PROFESSIONAL WHERE REQUIRED BY THE STATUTES OF THE JURISDICTION IN WHICH THE PROJECT IS TO BE CONSTRUCTED IN ACCORDANCE WITH SECTION R106.1.
R802.10.3 BRACING.
TRUSSES SHALL BE BRACED TO PREVENT ROTATION AND PROVIDE LATERAL STABILITY IN ACCORDANCE WITH THE REQUIREMENTS SPECIFIED IN THE CONSTRUCTION DOCUMENTS FOR THE BUILDING AND ON THE INDIVIDUAL TRUSS DESIGN DRAWINGS. IN THE ABSENCE OF SPECIFIC BRACING REQUIREMENTS, TRUSSES SHALL BE BRACED IN ACCORDANCE WITH ACCEPTED INDUSTRY PRACTICE SUCH AS THE SECA BUILDING COMPONENT SAFETY INFORMATION (BDSI) GUIDE TO GOOD PRACTICE FOR HANDLING, INSTALLING & BRACING OF METAL PLATE CONNECTED WOOD TRUSSES.
R802.10.4 ALTERATIONS TO TRUSSES.
TRUSS MEMBERS SHALL NOT BE CUT, NOTCHED, DRILLED, SPLICED OR OTHERWISE ALTERED IN ANY WAY WITHOUT THE APPROVAL OF A REGISTERED DESIGN PROFESSIONAL. ALTERATIONS RESULTING IN THE ADDITION OF LOAD SUCH AS HVAC EQUIPMENT WATER HEATER THAT EXCEEDS THE DESIGN LOAD FOR THE TRUSS SHALL NOT BE PERMITTED WITHOUT VERIFICATION THAT THE TRUSS IS CAPABLE OF SUPPORTING SUCH ADDITIONAL LOADING.
R802.11 ROOF TIE-DOWN.
R802.11.1 UPLIFT RESISTANCE. ROOF ASSEMBLIES SHALL HAVE UPLIFT RESISTANCE IN ACCORDANCE WITH SECTIONS R802.11.1.1 AND R802.11.1.2. WHERE THE UPLIFT FORCE DOES NOT EXCEED 200 POUNDS (90.8 KG), RAFTERS AND TRUSSES SPACED NOT MORE THAN 24 INCHES (610 MM) ON CENTER SHALL BE PERMITTED TO BE ATTACHED TO THEIR SUPPORTING WALL ASSEMBLIES IN ACCORDANCE WITH TABLE R602.3(1), WHERE THE BASIC WIND SPEED DOES NOT EXCEED 115 MPH, THE WIND EXPOSURE CATEGORY IS B, THE ROOF PITCH IS 5:12 (42-PERCENT SLOPE) OR GREATER, AND THE ROOF SPAN IS 32 FEET (9754 MM) OR LESS, RAFTERS AND TRUSSES SPACED NOT MORE THAN 24 INCHES (610 MM) ON CENTER SHALL BE PERMITTED TO BE ATTACHED TO THEIR SUPPORTING WALL ASSEMBLIES IN ACCORDANCE WITH TABLE R602.3(1).
R802.11.1.1 TRUSS UPLIFT RESISTANCE.
TRUSSES SHALL BE ATTACHED TO SUPPORTING WALL ASSEMBLIES BY CONNECTIONS CAPABLE OF RESISTING UPLIFT FORCES AS SPECIFIED ON THE TRUSS DESIGN DRAWINGS FOR THE ULTIMATE DESIGN WIND SPEED AS DETERMINED BY FIGURE R301.2(5)A AND LISTED IN TABLE R301.2(1) OR AS SHOWN ON THE CONSTRUCTION DOCUMENTS. UPLIFT FORCES SHALL BE PERMITTED TO BE DETERMINED AS SPECIFIED BY TABLE R802.11, IF APPLICABLE, OR AS DETERMINED BY ACCEPTED ENGINEERING PRACTICE.
R802.11.1.2 RAFTER UPLIFT RESISTANCE.
INDIVIDUAL RAFTERS SHALL BE ATTACHED TO SUPPORTING WALL ASSEMBLIES BY CONNECTIONS CAPABLE OF RESISTING UPLIFT FORCES AS DETERMINED BY TABLE R802.11 OR AS DETERMINED BY ACCEPTED ENGINEERING PRACTICE. CONNECTIONS FOR BEAMS USED IN A ROOF SYSTEM SHALL BE DESIGNED IN ACCORDANCE WITH ACCEPTED ENGINEERING PRACTICE.
REFER TO THE IRC FOR THE FOLLOWING SECTIONS:
SECTION 803 ROOF SHEATHING
SECTION 804 COLD-FORMED STEEL ROOF FRAMING
SECTION 805 CEILING FINISHES
R805.1 CEILING INSTALLATION.
CEILINGS SHALL BE INSTALLED IN ACCORDANCE WITH THE REQUIREMENTS FOR INTERIOR WALL FINISHES AS PROVIDED IN SECTION R702.

SECTION R806
ROOF VENTILATION
R806.1 VENTILATION REQUIRED. ENCLOSED ATTICS AND ENCLOSED RAFTER SPACES FORMED WHERE CEILINGS ARE APPLIED DIRECTLY TO THE UNDERSIDE OF ROOF RAFTERS SHALL HAVE CROSS VENTILATION FOR EACH SEPARATE SPACE BY VENTILATING OPENINGS PROTECTED AGAINST THE ENTRANCE OF RAIN OR SNOW. VENTILATION OPENINGS SHALL HAVE A LEAST DIMENSION OF 1/16 INCH (1.6 MM) MINIMUM AND 1/4 INCH (6.4 MM) MAXIMUM. VENTILATION OPENINGS SHALL HAVE A LEAST DIMENSION LARGER THAN 1/4 INCH (6.4 MM) SHALL BE PROVIDED WITH CORROSION-RESISTANT WIRE CLOTH SCREENING, HARDWARE CLOTH PERFORATED VINYL OR SIMILAR MATERIAL WITH OPENINGS HAVING A LEAST DIMENSION OF 1/16 INCH (1.6 MM) MINIMUM AND 1/4 INCH (6.4 MM) MAXIMUM. OPENINGS IN ROOF FRAMING MEMBERS SHALL CONFORM TO THE REQUIREMENTS OF SECTION R802.7. REQUIRED VENTILATION OPENINGS SHALL OPEN DIRECTLY TO THE OUTSIDE AIR AND SHALL BE PROTECTED TO PREVENT THE ENTRY OF BIRDS, RODENTS, SNAKES, AND OTHER SIMILAR CREATURES.
R806.2 MINIMUM VENT AREA.
THE MINIMUM NET FREE VENTILATING AREA SHALL BE 1/150 OF THE AREA OF THE VENTED SPACE.
NOTE: SEE SECTION 806.2 FOR EXCEPTION
R806.3 VENT AND INSULATION CLEARANCE.
WHERE EAVE OR CORNICE VENTS ARE INSTALLED, BLOCKING, BRIDGING, AND INSULATION SHALL NOT BLOCK THE FREE FLOW OF AIR. NOT LESS THAN A 1-INCH (25 MM) SPACE SHALL BE PROVIDED BETWEEN THE INSULATION AND THE ROOF SHEATHING AND AT THE LOCATION OF THE VENT.
R806.4 INSTALLATION AND WEATHER PROTECTION.
VENTILATORS SHALL BE INSTALLED IN ACCORDANCE WITH MANUFACTURER'S INSTRUCTIONS. INSTALLATION OF VENTILATORS IN ROOF SYSTEMS SHALL BE IN ACCORDANCE WITH THE REQUIREMENTS OF SECTION R903. INSTALLATION OF VENTILATORS IN WALL SYSTEMS SHALL BE IN ACCORDANCE WITH THE REQUIREMENTS OF SECTION R703.1.
R806.5 UNVENTED ATTIC AND UNVENTED ENCLOSED RAFTER ASSEMBLIES.
UNVENTED ATTICS AND UNVENTED ENCLOSED ROOF FRAMING ASSEMBLIES CREATED BY CEILINGS THAT ARE APPLIED DIRECTLY TO THE UNDERSIDE OF THE ROOF FRAMING MEMBERS AND STRUCTURAL ROOF SHEATHING APPLIED DIRECTLY TO THE TOP OF THE ROOF FRAMING MEMBERS/RAFTERS, SHALL BE PERMITTED WHERE ALL THE FOLLOWING CONDITIONS ARE MET:
SEE CONDITIONS 806.5 (1 THROUGH 5)
SECTION R907 ATTIC ACCESS
R907.1 ATTIC ACCESS.
BUILDINGS WITH COMBUSTIBLE CEILING OR ROOF CONSTRUCTION SHALL HAVE AN ATTIC ACCESS OPENING TO ATTIC AREAS THAT HAVE A VERTICAL HEIGHT OF 30 INCHES (762 MM) OR GREATER OVER AN AREA OF NOT LESS THAN 30 SQUARE FEET (2.8 M²). THE VERTICAL HEIGHT SHALL BE MEASURED FROM THE TOP OF THE CEILING FRAMING MEMBERS TO THE UNDERSIDE OF THE ROOF FRAMING MEMBERS.
THE ROUGH-FRAMED OPENING SHALL BE NOT LESS THAN 22 INCHES BY 30 INCHES (559 MM BY 762 MM) AND SHALL BE LOCATED IN A HALLWAY OR OTHER LOCATION WITH READY ACCESS. WHERE LOCATED IN A WALL, THE OPENING SHALL BE NOT LESS THAN 22 INCHES WIDE BY 30 INCHES HIGH (559 MM WIDE BY 762 MM HIGH). WHERE THE ACCESS IS LOCATED IN A CEILING, MINIMUM UNOBSTRUCTED HEADROOM IN THE ATTIC SPACE SHALL BE 30 INCHES (762 MM) AT SOME POINT ABOVE THE ACCESS MEASURED VERTICALLY FROM THE BOTTOM OF CEILING FRAMING MEMBERS. SEE SECTION M1305.1.3 FOR ACCESS REQUIREMENTS WHERE MECHANICAL EQUIPMENT IS LOCATED IN ATTICS.
CHAPTER 9 :: ROOF ASSEMBLIES
SECTION R901 GENERAL
R901.1 SCOPE. THE PROVISIONS OF THIS CHAPTER SHALL GOVERN THE DESIGN, MATERIALS, CONSTRUCTION AND QUALITY OF ROOF ASSEMBLIES.
CHAPTER 10 :: CHIMNEYS & FIREPLACES
R1001.1 GENERAL.
MASONRY FIREPLACES SHALL BE CONSTRUCTED IN ACCORDANCE WITH THIS SECTION AND THE APPLICABLE PROVISIONS OF CHAPTERS 3 AND 4.

