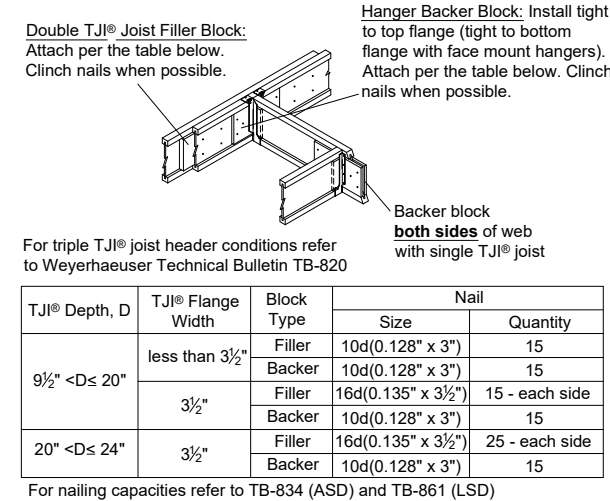
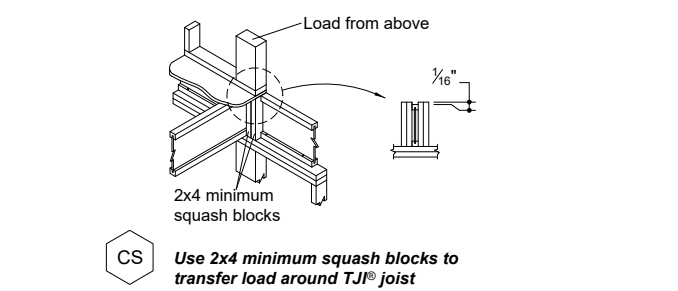
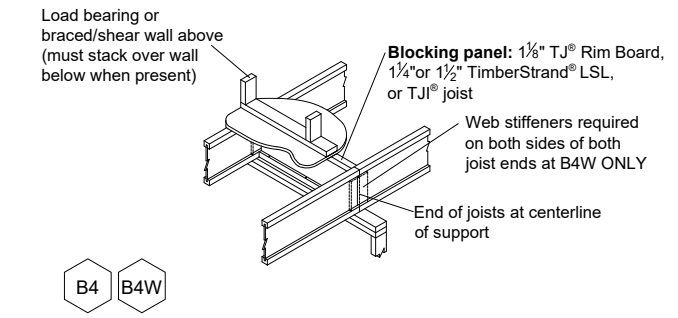
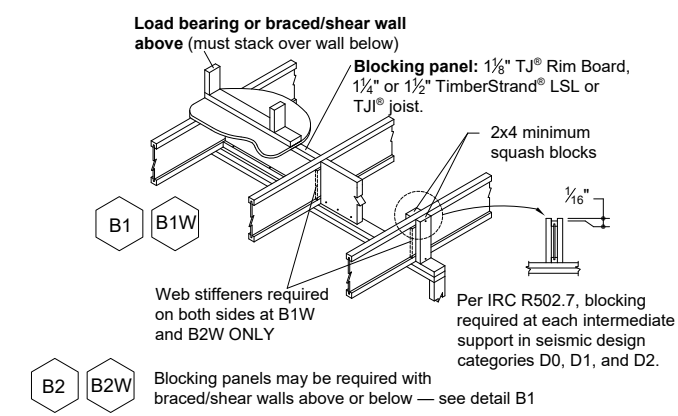


For A3.1-A3.3 installation specifications see Rim Board Details and Installation in Weyerhaeuser Installation Guide for Floor and Roof Framing, T3-9001.



TJI® Depth, D	TJI® Flange Width	Block Type	Nail Size	Quantity
9 1/2" <Ds 20"	less than 3 1/2"	Filler	10d(0.128" x 3")	15
		Backer	10d(0.128" x 3")	15
20" <Ds 24"	3 1/2"	Filler	16d(0.135" x 3 1/2")	15 - each side
		Backer	10d(0.128" x 3")	15
20" <Ds 24"	3 1/2"	Filler	16d(0.135" x 3 1/2")	25 - each side
		Backer	10d(0.128" x 3")	15

For nailing capacities refer to TB-834 (ASD) and TB-861 (LSD)

With top mount hangers, backer block required only for downward loads exceeding 250 (DSF factored) lbs or for uplift conditions. For filler and backer block sizes see Weyerhaeuser Installation Guide for Floor and Roof Framing, T3-9001.

WARNING

Joists are unstable until braced laterally

Bracing Includes:

- Blocking
- Hangers
- Sheathing
- Rim Board
- Stud Lines
- Rim Joist



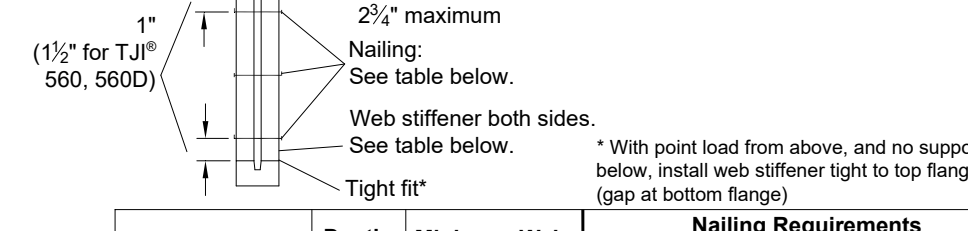
WARNING NOTES:

Lack of proper bracing during construction can result in serious accidents. Observe the following guidelines:

- All blocking, hangers, rim boards and rim joists at the end supports of the TJI joists must be completely installed and properly nailed.
- Lateral strength, like braced end wall or an existing deck, must be established at the ends of the bay. This can also be accomplished by a temporary or permanent deck (sheathing) fastened to the first 4 feet of joists at the end of the bay.
- Safety bracing of 144 (minimum) must be nailed to a braced end wall or sheathed area (as in note 2) and to each joist. Install bracing with 2 - 8d (0.113" x 2 1/2") nails each joist and end support at 8" on center (6" for TJI 110 joists). Without this bracing, blocking sideways or outward is highly probable under light construction loads - such as a worker or one layer of unbraced sheathing.
- Sheathing must be completely attached to each TJI joist before additional loads can be placed on the system.
- Ends of cantilevers require safety bracing on both the top and bottom flanges.
- The flanges must remain straight within 1/2" from true alignment.
- See www.ty.com for additional installation information.

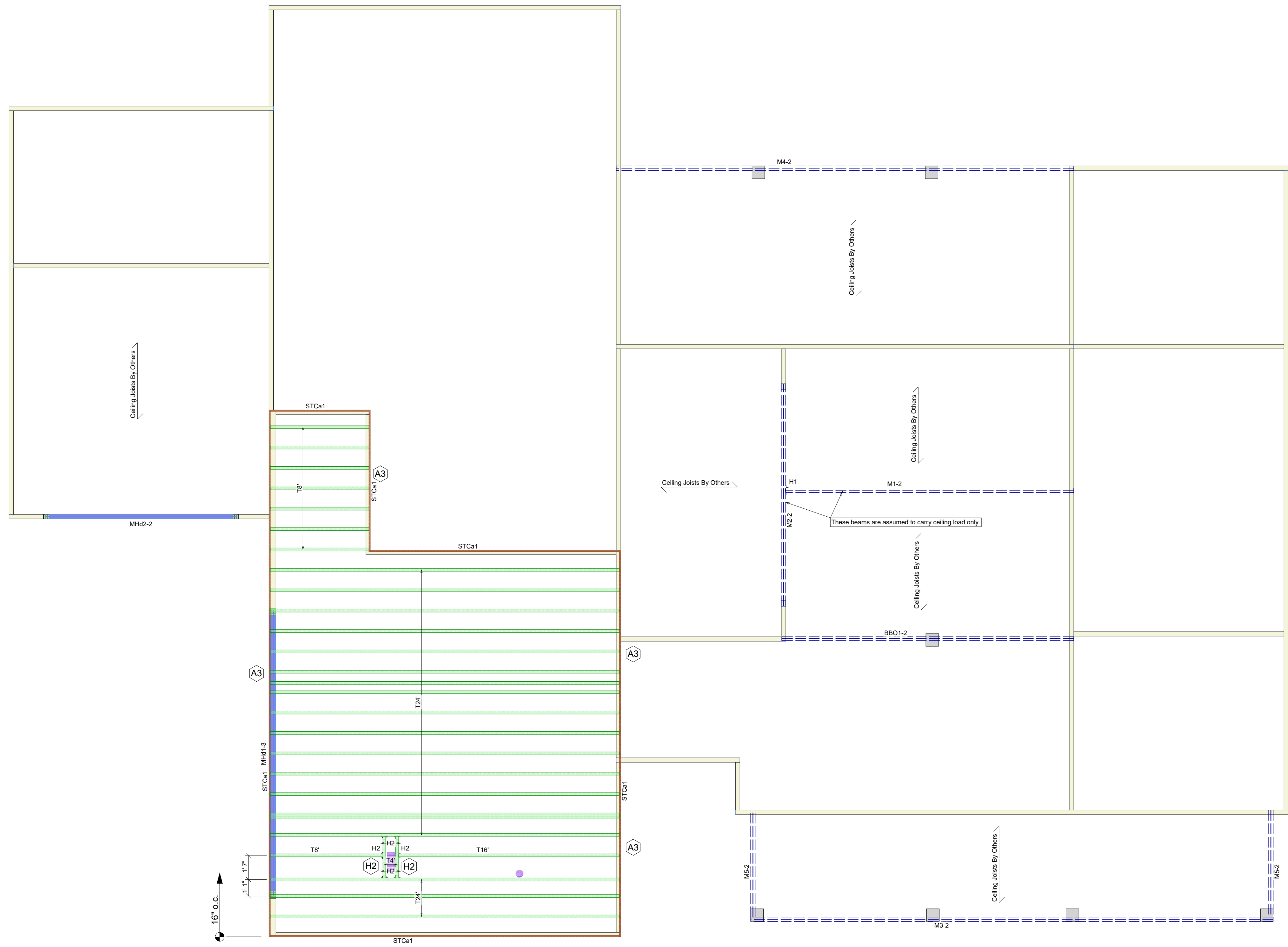
Weyerhaeuser, Microlam, Parallam, TimberStrand, TJI, TJ, and TrusJoist are registered trademarks of Weyerhaeuser NR. © 2022 Weyerhaeuser NR Company. All rights reserved.

WEB STIFFENER ATTACHMENT



TJI® Joist Series	Depth (in.)	Minimum Web Stiffener Size	Nailing Requirements	
			Type	Number Nails End Intermediate
110	All	3/8" x 2 1/2" (0.113" x 2 1/2")	8d	
	All		3	3
210	All	7/8" x 2 1/2" (0.135" x 2 1/2")	16d	
	All		6	11
230 & 360	All	2x4 (0.135" x 3 1/2")	16d	
	All		6	13
560	18"	2x4 (0.135" x 3 1/2")	4	4
	20"		5	5
560D	22"	2x4 (0.135" x 3 1/2")	6	11
	24"		6	13

- (1) PS1 or PS2 sheathing, face grain vertical
- (2) Construction grade or better
- (3) Web stiffeners are always required for 22" and 24" TJI® 560D Joists



Second Floor Framing Plan

Scale: 1/4" = 1'-0"

Framing Connector Summary					
PlotID	Qty	Manuf	Product	Backer Blks	Web Stiff
H1	1	Simpson	HU416	No	No
H2	6	Simpson	IUS2-3716	2	No

Products				
PlotID	Length	Product	Piles	Net Qty
T24	24' 0"	16" TJI 360 joist	1	19
T16	16' 0"	16" TJI 360 joist	1	1
T8	8' 0"	16" TJI 360 joist	1	8
T4	4' 0"	16" TJI 360 joist	1	2
M1-2	20' 0"	1 3/4" x 14' 2.0E Microlam LVL	2	2
M2-2	16' 0"	1 3/4" x 14' 2.0E Microlam LVL	2	2
M3-2	36' 0"	1 3/4" x 9' 1/4' 2.0E Microlam LVL	2	2
M4-2	30' 0"	1 3/4" x 9' 1/4' 2.0E Microlam LVL	2	2
M5-2	8' 0"	1 3/4" x 9' 1/4' 2.0E Microlam LVL	2	4
STCa1	16' 0"	1 1/8" x 16" TJI Rim Board	1	8

Wall Framing				
PlotID	Length	Product	Piles	Net Qty
MH41-3	20' 0"	1 3/4" x 16' 2.0E Microlam LVL	3	3
MH42-2	14' 0"	1 3/4" x 11' 7/8" 2.0E Microlam LVL	2	2

Accessories				
PlotID	Length	Product	Piles	Net Qty
1' 10"		7/8" or 1" net Backer Blocks	1	4
1' 0"		7/8" or 1" net Backer Blocks	1	4
		23/32"x48"x96" Weyerhaeuser Edge Gold Panel (0/24) T&G SF	1	22

Total Lengths				
Length	Product	Piles	Net Qty	
544' 0"	16" TJI 360 joist			
60' 0"	1 3/4" x 16' 2.0E Microlam LVL			
72' 0"	1 3/4" x 14' 2.0E Microlam LVL			
28' 0"	1 3/4" x 11' 7/8" 2.0E Microlam LVL			
164' 0"	1 3/4" x 9' 1/4' 2.0E Microlam LVL			
128' 0"	1 1/8" x 16" TJI Rim Board			
11' 4"	7/8" or 1" net Backer Blocks			

LEVEL NOTES	
Current Date:	12/18/2023
File Name:	SR-322451.rvt
Level Name:	2nd Floor
Building Code - Design Methodology:	IBC 2021
Members with Design Overrides:	
TJI-Pro Rating (Weighted Average):	49
Minimum Level TJI - Pro Rating & Joist:	TJI-Pro rating = 45, joist = T24(5T4)
Maximum Level TJI - Pro Rating & Joist:	TJI-Pro rating = 74, joist = T8(5B7)
FLOOR	
Floor Container:	FC1
Use/Occupancy:	Residential/Living Areas
Floor Area Loading is:	20.0 lb/ft² Live Load & 10.0 lb/ft² Dead Load
Maximum Allowed Deflection:	L/480 Live Load & L/240 Total Load
TJI-Pro Rating Information:	
Weighted Average:	49
Directly Applied Ceiling:	Gypsum 1/2"
Decking Attachment:	Glue and Nail
Decking Material:	23/32"x48"x96" Weyerhaeuser Edge Gold Panel (0/24) T&G SF
Perpendicular Partition:	No
Strapping at max 8' o.c.:	None
Blocking at max 8' o.c.:	No
Poured Flooring:	No
An additional 20 psf LL has been added to account for floor load in the non-attic area.	

GENERAL NOTES:

- Joists may be shifted up to 3" from on center spacing to avoid hanger interference, flush beams and/or plumbing drops. **DO NOT CUT JOIST FLANGES.**
- All EWP beams have been designed assuming full width support of the members/piles, unless noted otherwise.
- This drawing may contain deviations from the original project documents. It is the responsibility of the contractor to notify the project Design Professional of these deviations to verify conformance with the original design intent of the project.
- This layout is intended for the use of TrusJoist engineered wood products only. The substitution of other wood products with this layout is NOT PERMITTED. Please identify the TJI, TimberStrand® LSL, Microlam® LVL and Parallam® PSL stamps on the product to ensure that this layout is valid for the products actually installed.
- Only header openings and roof loads which affect Weyerhaeuser product sizes have been denoted on this layout. In addition to and 'CS' detail callouts shown, solid blocking and/or squash blocks are required to provide vertical load transfer from all concentrated load locations to foundation below. See Pocket Framers Guide for appropriate detail(s).

SYMBOL LEGEND	
	Bearing Length Requirement
	Line Load
	Point Load
	Area Load
	Member By Others
	Closure By Others
	Under Load Above
	Toilet/Shower Plumbing Drop
	Tub Plumbing Drop
	Walls Above
	Detail Callout Label

188 Hobby Road
Harrington Properties

Latest Revision Date:
Revision Comments:
Revised By:
Drawn By:
Original Date:

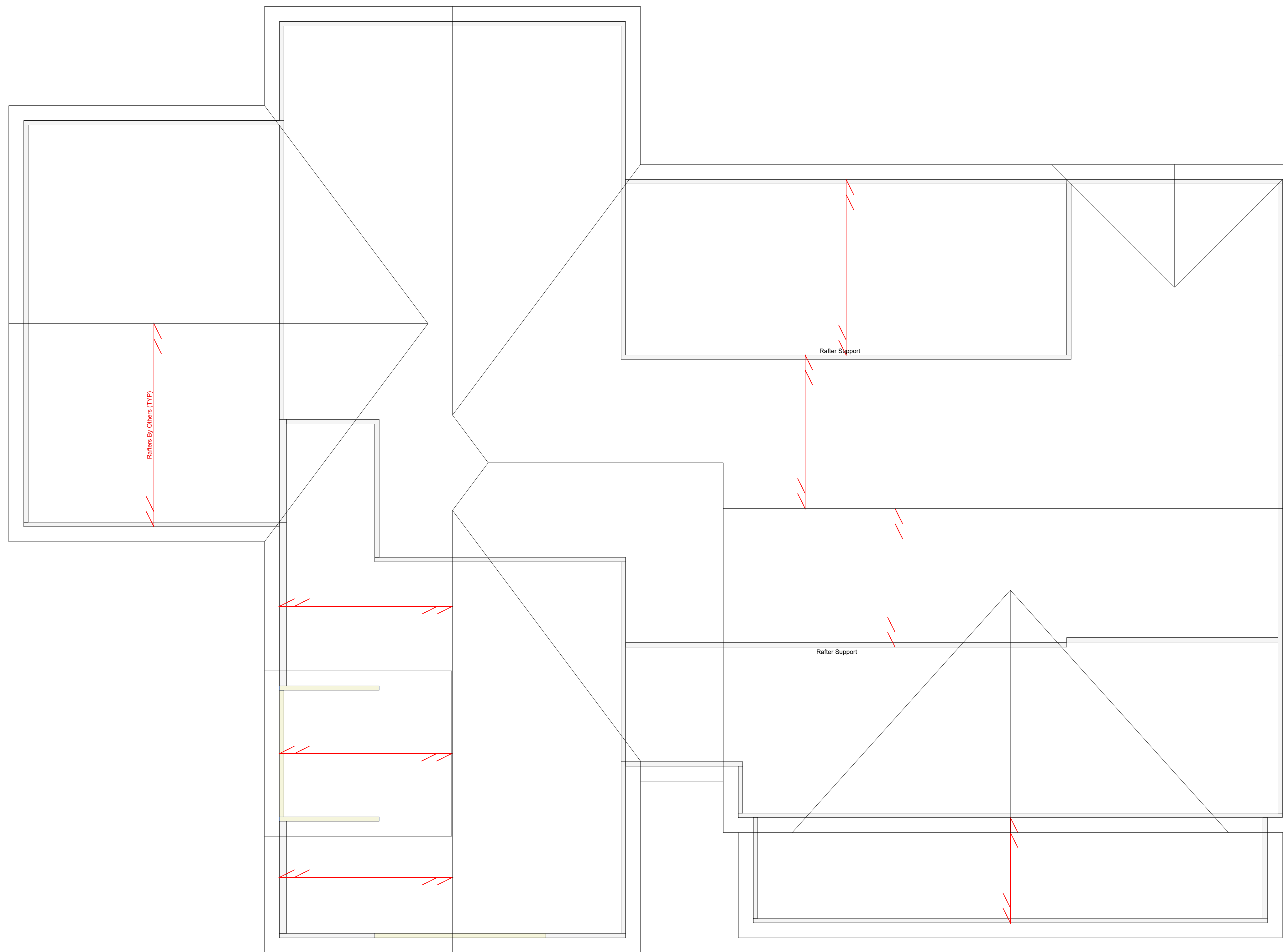
12/18/2023
Chuck T.

Structural Drawings Prepared By:
Diane Rives Designs
9/26/2023

NC

R23-255894
SR-322451

Sheet
1 of 2



Roof Framing Assumptions
Scale: 1/4" = 1'-0"

WARNING

Joists are unstable until braced laterally

Bracing Includes:

- Blocking
- Hangers
- Sheathing
- Rim Board
- Stud Lines
- Rim Joist



DO NOT walk on joists until braced. INJURY MAY RESULT.



DO NOT walk on joists that are lying flat.



DO NOT stack building materials on unsheathed joists. Stack only over beams or walls.

WARNING NOTES:

Lack of proper bracing during construction can result in serious accidents. Observe the following guidelines:

1. All blocking, hangers, rim boards and rim joists at the end supports of the TJI joists must be completely installed and properly nailed.
2. Lateral strength, like braced end wall or an existing deck, must be established at the ends of the bay. This can also be accomplished by a temporary or permanent deck (sheathing) fastened to the first 4 feet of joists at the end of the bay.
3. Safety bracing of 1x4 (minimum) must be nailed to a braced end wall or sheathed area (as in note 2) and to each joist. Install bracing with 2 - 8d, 0.113" x 2.57" nails each joist and end support at 8 ft on center (6 ft for TJI 110 joists). Without this bracing, blocking sideways or collapse is highly probable under light construction loads - such as a worker or one layer of unnailed sheathing.
4. Sheathing must be completely attached to each TJI joist before additional loads can be placed on the system.
5. Ends of cantilevers require safety bracing on both the top and bottom flanges.
6. The flanges must remain straight within 1/2" from true alignment.
7. See www.tji.com for additional installation information.

Weyerhaeuser, Microllam, Parallam, TimberStrand, TJI, TJI, and Trus Joist are registered trademarks of Weyerhaeuser NR. © 2022 Weyerhaeuser NR Company. All rights reserved.

SYMBOL LEGEND

- Bearing Length Requirement
- Line Load
- Point Load
- Area Load
- Member By Others
- Closure By Others
- Under Load Above
- Toilet/Shower Plumbing Drop
- Tub Plumbing Drop
- Walls Above
- Detail Callout Label

GENERAL NOTES:

- ❖ Joists may be shifted up to 3" from on center spacing to avoid hanger interference, flush beams and/or plumbing drops. **DO NOT CUT JOIST FLANGES.**
- ❖ All EWP beams have been designed assuming full width support of the members/piles, unless noted otherwise.
- ❖ This drawing may contain deviations from the original project documents. It is the responsibility of the contractor to notify the project Design Professional of these deviations to verify conformance with the original design intent of the project.
- ❖ This layout is intended for the use of TrusJoist engineered wood products only. The substitution of other wood products with this layout is NOT PERMITTED. Please identify the TJI, TimberStrand® LSL, Microllam® LVL and Parallam® PSL stamps on the product to ensure that this layout is valid for the products actually installed.
- ❖ Only header openings and roof loads which affect Weyerhaeuser product sizes have been denoted on this layout. In addition to and 'CS' detail callouts shown, solid blocking and/or squash blocks are required to provide vertical load transfer from all concentrated load locations to foundation below. See Pocket Framers Guide for appropriate detail(s).



These placement plans have been prepared based on project information provided to Weyerhaeuser, and are not to be used for construction without the review and approval of a design professional as required by the local authority having jurisdiction or building codes. The proper authority is to review these placement plans and confirm they are consistent with the intent of the overall project design. Copyright 2020 Weyerhaeuser NR Company. All rights reserved. Any unauthorized copying or reproduction will constitute an infringement of copyright.

Architectural Drawings Prepared By: Diane Rives Designs
9/26/2023

Structural Drawings Prepared By: N/A
N/A

Latest Revision Date:	
Revision Comments:	
Revised By:	Chuck T.
Drawn By:	12/18/2023
Original Date:	NC

188 Hobby Road	
Harrington Properties	
R23-255894	
SR-322451	
Sheet 2 of 2	