

RE: J0923-5025
 Weaver/Lot 48 West Pointe/Harnett

Trenco
 818 Soundside Rd
 Edenton, NC 27932

Site Information:

Customer: Project Name: J0923-5025
 Lot/Block: Model:
 Address: Subdivision:
 City: State:

General Truss Engineering Criteria & Design Loads (Individual Truss Design Drawings Show Special Loading Conditions):

Design Code: IRC2015/TPI2014 Design Program: MiTek 20/20 8.4
 Wind Code: ASCE 7-10 Wind Speed: 130 mph
 Roof Load: 40.0 psf Floor Load: N/A psf

This package includes 27 individual, dated Truss Design Drawings and 0 Additional Drawings.

No.	Seal#	Truss Name	Date	No.	Seal#	Truss Name	Date
1	I60846455	A1	9/19/2023	21	I60846475	VA9	9/19/2023
2	I60846456	A1A	9/19/2023	22	I60846476	VA10	9/19/2023
3	I60846457	A1GE	9/19/2023	23	I60846477	VA11	9/19/2023
4	I60846458	A2	9/19/2023	24	I60846478	VP1	9/19/2023
5	I60846459	A3	9/19/2023	25	I60846479	VP2	9/19/2023
6	I60846460	A4	9/19/2023	26	I60846480	VP3	9/19/2023
7	I60846461	A4A	9/19/2023	27	I60846481	VP4	9/19/2023
8	I60846462	A4GE	9/19/2023				
9	I60846463	P1	9/19/2023				
10	I60846464	P1GE	9/19/2023				
11	I60846465	PB1	9/19/2023				
12	I60846466	PB1GE	9/19/2023				
13	I60846467	VA1	9/19/2023				
14	I60846468	VA2	9/19/2023				
15	I60846469	VA3	9/19/2023				
16	I60846470	VA4	9/19/2023				
17	I60846471	VA5	9/19/2023				
18	I60846472	VA6	9/19/2023				
19	I60846473	VA7	9/19/2023				
20	I60846474	VA8	9/19/2023				

The truss drawing(s) referenced above have been prepared by Truss Engineering Co. under my direct supervision based on the parameters provided by Comtech, Inc - Fayetteville.
 Truss Design Engineer's Name: Gilbert, Eric
 My license renewal date for the state of North Carolina is December 31, 2023.
 North Carolina COA: C-0844

IMPORTANT NOTE: The seal on these truss component designs is a certification that the engineer named is licensed in the jurisdiction(s) identified and that the designs comply with ANSI/TPI 1. These designs are based upon parameters shown (e.g., loads, supports, dimensions, shapes and design codes), which were given to TRENCO. Any project specific information included is for TRENCO customers file reference purpose only, and was not taken into account in the preparation of these designs. TRENCO has not independently verified the applicability of the design parameters or the designs for any particular building. Before use, the building designer should verify applicability of design parameters and properly incorporate these designs into the overall building design per ANSI/TPI 1, Chapter 2.



September 19, 2023

Job J0923-5025	Truss A1	Truss Type PIGGYBACK BASE	Qty 5	Ply 1	Weaver/Lot 48 West Pointe/Harnett Job Reference (optional)	160846455
-------------------	-------------	------------------------------	----------	----------	---	-----------

Comtech, Inc. Fayetteville, NC - 28314,

8.430 s Jan 6 2022 MiTek Industries, Inc. Mon Sep 18 13:14:55 2023 Page 1

ID:Jh9ByfjRPPU?mMRDxzGWXKyZ53p-RfC?PsB70Hq3NSgPqnL8w3uITXbGKWrcDoi7J4zJC?f

0-10-8	10-4-12	21-9-0	29-6-0	37-3-0	47-6-0	55-0-0	61-6-0	62-4-8
0-10-8	10-4-12	11-4-4	7-9-0	7-9-0	10-3-0	7-6-0	6-6-0	0-10-8

Scale = 1:114.6

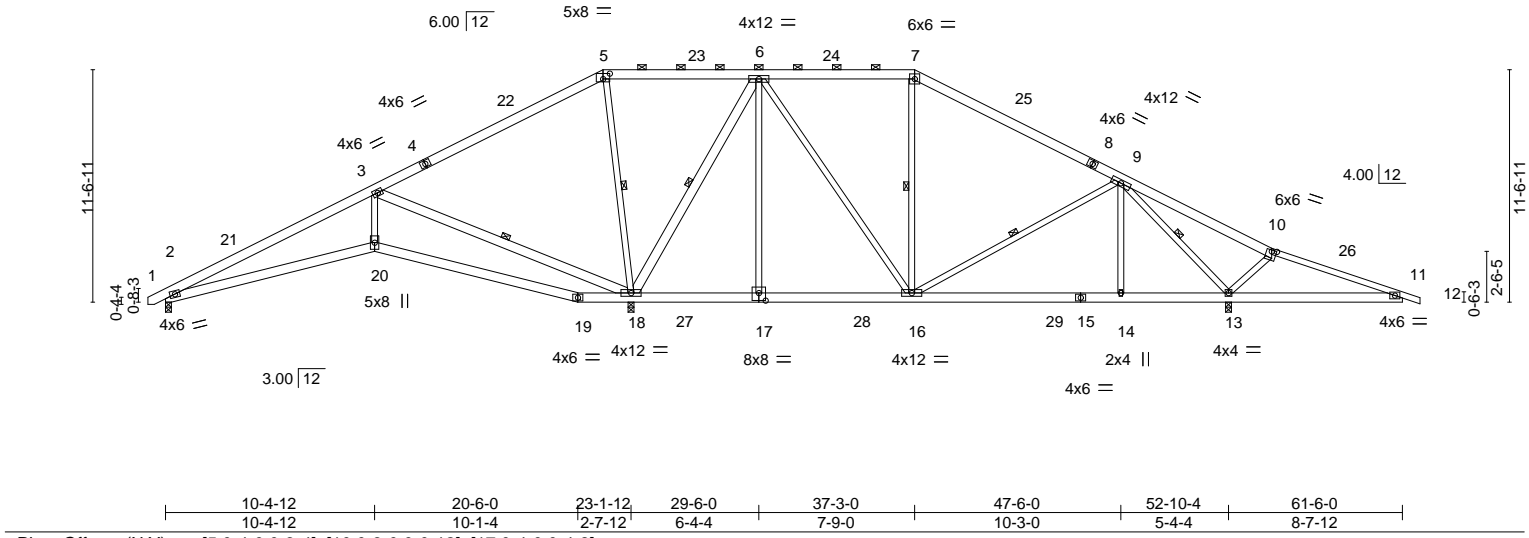


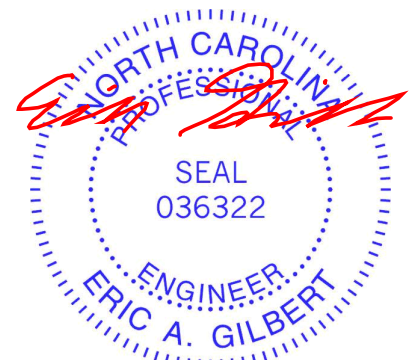
Plate Offsets (X,Y)--	[5:0-4-0,0-3-4], [10:0-3-0,0-0-12], [17:0-4-0,0-4-8]				
LOADING (psf)	SPACING- 2-0-0	CSI.	DEFL. in (loc) l/defl L/d	PLATES	GRIP
TCLL 20.0	Plate Grip DOL 1.15	BC 0.63	Vert(LL) -0.12 19-20 >999 360	MT20	244/190
TCDL 10.0	Lumber DOL 1.15	TC 0.35	Vert(CT) -0.24 19-20 >999 240		
BCLL 0.0 *	Rep Stress Incr YES	WB 0.67	Horz(CT) 0.04 18 n/a n/a		
BCDL 10.0	Code IRC2015/TPI2014	Matrix-S	Wind(LL) 0.05 2-20 >999 240	Weight: 471 lb	FT = 20%

LUMBER-	BRACING-
TOP CHORD 2x6 SP No.1 *Except* 10-12: 2x4 SP No.1	TOP CHORD Structural wood sheathing directly applied or 6-0-0 oc purlins, except 2-0-0 oc purlins (6-0-0 max.): 5-7.
BOT CHORD 2x6 SP No.1	BOT CHORD Rigid ceiling directly applied or 6-0-0 oc bracing.
WEBS 2x4 SP No.2 *Except* 6-18,3-18: 2x6 SP No.1	WEBS 1 Row at midpt 5-18, 6-18, 9-16, 7-16, 3-18, 9-13


REACTIONS. (size) 2=0-3-8, 18=0-3-8, 13=0-3-8
 Max Horz 2=-149(LC 10)
 Max Uplift 2=-13(LC 13), 18=-237(LC 12), 13=-203(LC 13)
 Max Grav 2=495(LC 23), 18=2864(LC 1), 13=1867(LC 24)

FORCES. (lb) - Max. Comp./Max. Ten. - All forces 250 (lb) or less except when shown.
 TOP CHORD 2-3=-623/0, 3-5=-195/1123, 5-6=-90/1009, 6-7=-456/253, 7-9=-637/247,
 9-10=-854/1241, 10-11=-844/958
 BOT CHORD 2-20=0/602, 19-20=0/601, 18-19=0/530, 17-18=-338/345, 16-17=-338/345,
 14-16=-10/496, 13-14=-10/496, 11-13=-846/853
 WEBS 5-18=-971/342, 6-18=-1481/300, 9-14=0/288, 6-17=0/365, 6-16=-117/779,
 7-16=-427/228, 3-18=-1394/284, 3-20=0/712, 9-13=-1997/730

- NOTES-**
- 1) Unbalanced roof live loads have been considered for this design.
 - 2) Wind: ASCE 7-10; Vult=130mph Vasd=103mph; TCCL=6.0psf; BCDL=6.0psf; h=15ft; Cat. II; Exp C; Enclosed; MWFRS (envelope) and C-C Exterior(2) -0-8-10 to 3-8-3, Interior(1) 3-8-3 to 21-9-0, Exterior(2) 21-9-0 to 26-1-13, Interior(1) 26-1-13 to 37-3-0, Exterior(2) 37-3-0 to 41-7-12, Interior(1) 41-7-12 to 62-4-8 zone; cantilever right exposed ;C-C for members and forces & MWFRS for reactions shown; Lumber DOL=1.60 plate grip DOL=1.60
 - 3) WARNING: This long span truss requires extreme care and experience for proper and safe handling and erection. For general handling and erection guidance, see Guide to Good Practice for Handling, Installing & Bracing of Metal Plate Connected Wood Trusses ("BCSI"), jointly produced by SBCA and TPI. The building owner or the owner's authorized agent shall contract with a qualified registered design professional for the design and inspection of the temporary installation restraint/bracing and the permanent individual truss member restraint/bracing. MiTek assumes no responsibility for truss manufacture, handling, erection, or bracing.
 - 4) Provide adequate drainage to prevent water ponding.
 - 5) This truss has been designed for a 10.0 psf bottom chord live load nonconcurrent with any other live loads.
 - 6) * This truss has been designed for a live load of 20.0psf on the bottom chord in all areas where a rectangle 3-6-0 tall by 2-0-0 wide will fit between the bottom chord and any other members, with BCDL = 10.0psf.
 - 7) Bearing at joint(s) 2 considers parallel to grain value using ANSI/TPI 1 angle to grain formula. Building designer should verify capacity of bearing surface.
 - 8) Provide mechanical connection (by others) of truss to bearing plate capable of withstanding 13 lb uplift at joint 2, 237 lb uplift at joint 18 and 203 lb uplift at joint 13.
 - 9) See Standard Industry Piggyback Truss Connection Detail for Connection to base truss as applicable, or consult qualified building designer on page 2.



September 19,2023

<p>WARNING - Verify design parameters and READ NOTES ON THIS AND INCLUDED MITEK REFERENCE PAGE MII-7473 rev. 1/2/2023 BEFORE USE.</p> <p>Design valid for use only with MiTek® connectors. This design is based only upon parameters shown, and is for an individual building component, not a truss system. Before use, the building designer must verify the applicability of design parameters and properly incorporate this design into the overall building design. Bracing indicated is to prevent buckling of individual truss web and/or chord members only. Additional temporary and permanent bracing is always required for stability and to prevent collapse with possible personal injury and property damage. For general guidance regarding the fabrication, storage, delivery, erection and bracing of trusses and truss systems, see ANSI/TPI Quality Criteria and DSB-22 available from Truss Plate Institute (www.tpinst.org) and BCSI Building Component Safety Information available from the Structural Building Component Association (www.sbcacomponents.com)</p>	 <p>818 Soundside Road Edenton, NC 27932</p>
--	---

Job J0923-5025	Truss A1	Truss Type PIGGYBACK BASE	Qty 5	Ply 1	Weaver/Lot 48 West Pointe/Harnett I60846455 Job Reference (optional)
-------------------	-------------	------------------------------	----------	----------	--

Comtech, Inc. Fayetteville, NC - 28314,

8.430 s Jan 6 2022 MiTek Industries, Inc. Mon Sep 18 13:14:55 2023 Page 2
ID:Jh9ByfjRPPU?mMRDxzGWXKyZ53p-RfC?PsB70Hq3NSgPqnL8w3uITXbGKWrCDoi7J4zJC?f

NOTES-

10) Graphical purlin representation does not depict the size or the orientation of the purlin along the top and/or bottom chord.

WARNING - Verify design parameters and READ NOTES ON THIS AND INCLUDED MITEK REFERENCE PAGE MII-7473 rev. 1/2/2023 BEFORE USE.

Design valid for use only with MiTek® connectors. This design is based only upon parameters shown, and is for an individual building component, not a truss system. Before use, the building designer must verify the applicability of design parameters and properly incorporate this design into the overall building design. Bracing indicated is to prevent buckling of individual truss web and/or chord members only. Additional temporary and permanent bracing is always required for stability and to prevent collapse with possible personal injury and property damage. For general guidance regarding the fabrication, storage, delivery, erection and bracing of trusses and truss systems, see **ANSI/TP1 Quality Criteria and DSB-22** available from Truss Plate Institute (www.tpinst.org) and **BCSI Building Component Safety Information** available from the Structural Building Component Association (www.sbcacomponents.com)



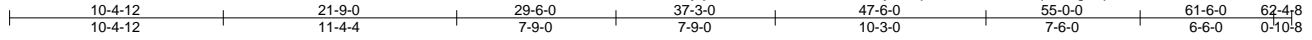
818 Soundside Road
Edenton, NC 27932

Job J0923-5025	Truss A1A	Truss Type PIGGYBACK BASE	Qty 1	Ply 1	Weaver/Lot 48 West Pointe/Harnett Job Reference (optional)	160846456
-------------------	--------------	------------------------------	----------	----------	---	-----------

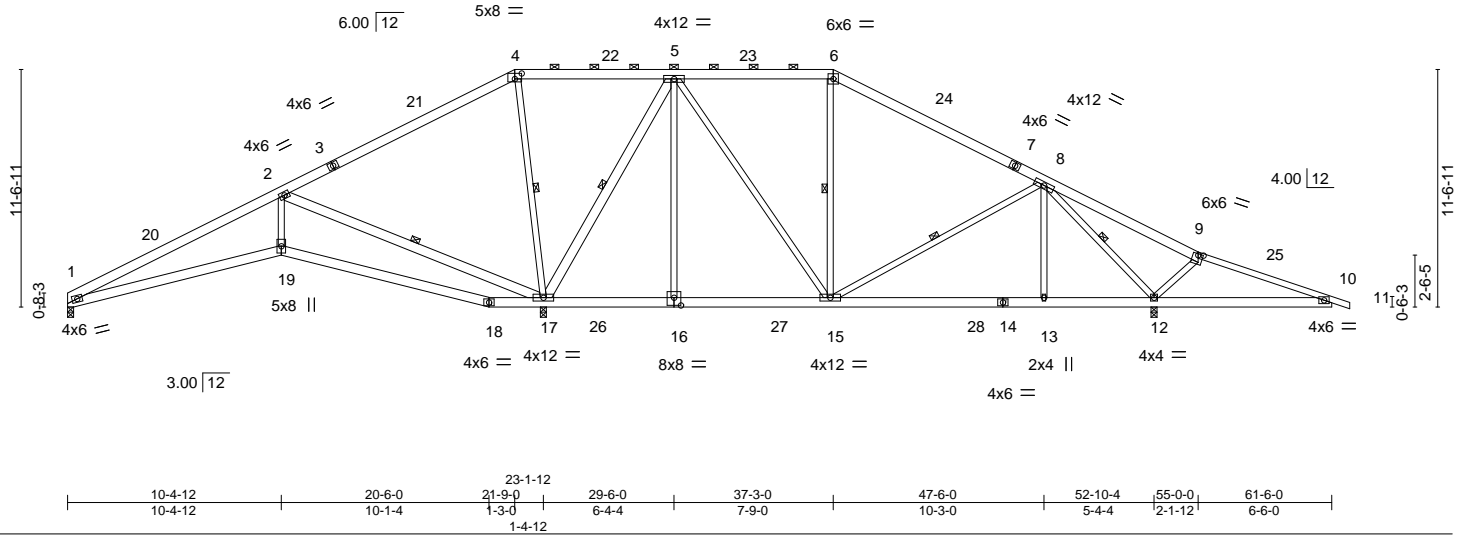
Comtech, Inc. Fayetteville, NC - 28314,

8.430 s Jan 6 2022 MiTek Industries, Inc. Mon Sep 18 13:14:57 2023 Page 1

ID:Jh9ByfjRPPU?mMRDxzGWXKyZ53p-RfC?PsB70Hq3NSgPqnL8w3uITXbGKWrCDoi7J4zJC?f



Scale = 1:112.1



LOADING (psf)	SPACING-	2-0-0	CSI.	DEFL.	in (loc)	l/defl	L/d	PLATES	GRIP
TCLL 20.0	Plate Grip DOL	1.15	TC 0.63	Vert(LL)	-0.12 18-19	>999	360	MT20	244/190
TCDL 10.0	Lumber DOL	1.15	BC 0.36	Vert(CT)	-0.24 18-19	>999	240		
BCLL 0.0 *	Rep Stress Incr	YES	WB 0.68	Horz(CT)	0.04 17	n/a	n/a		
BCDL 10.0	Code IRC2015/TPI2014		Matrix-S	Wind(LL)	0.05 1-19	>999	240	Weight: 469 lb	FT = 20%

LUMBER-	BRACING-
TOP CHORD 2x6 SP No.1 *Except* 9-11: 2x4 SP No.1	TOP CHORD Structural wood sheathing directly applied or 6-0-0 oc purlins, except 2-0-0 oc purlins (6-0-0 max.): 4-6.
BOT CHORD 2x6 SP No.1	BOT CHORD Rigid ceiling directly applied or 6-0-0 oc bracing.
WEBS 2x4 SP No.2 *Except* 5-17,2-17: 2x6 SP No.1	WEBS 1 Row at midpt 4-17, 5-17, 8-15, 6-15, 2-17, 8-12

REACTIONS. (size) 1=0-3-8, 17=0-3-8, 12=0-3-8
 Max Horz 1=-149(LC 10)
 Max Uplift 1=-12(LC 13), 17=-238(LC 12), 12=-203(LC 13)
 Max Grav 1=440(LC 23), 17=2868(LC 1), 12=1866(LC 24)

FORCES. (lb) - Max. Comp./Max. Ten. - All forces 250 (lb) or less except when shown.
 TOP CHORD 1-2=-622/0, 2-4=-195/1126, 4-5=-91/1012, 5-6=-455/252, 6-8=-637/246, 8-9=-854/1241, 9-10=-844/958
 BOT CHORD 1-19=0/601, 18-19=0/600, 17-18=0/529, 16-17=-340/345, 15-16=-340/345, 13-15=-10/496, 12-13=-10/496, 10-12=-846/853
 WEBS 4-17=-971/341, 5-17=-1482/307, 8-13=0/288, 5-16=0/365, 5-15=-122/780, 6-15=-428/231, 2-17=-1399/287, 2-19=0/714, 8-12=-1997/730

- NOTES-**
- 1) Unbalanced roof live loads have been considered for this design.
 - 2) Wind: ASCE 7-10; Vult=130mph Vasd=103mph; TC DL=6.0psf; BCDL=6.0psf; h=15ft; Cat. II; Exp C; Enclosed; MWFRS (envelope) and C-C Exterior(2) 0-1-12 to 4-6-9, Interior(1) 4-6-9 to 21-9-0, Exterior(2) 21-9-0 to 26-1-13, Interior(1) 26-1-13 to 37-3-0, Exterior(2) 37-3-0 to 41-7-12, Interior(1) 41-7-12 to 62-4-8 zone; cantilever right exposed ;C-C for members and forces & MWFRS for reactions shown; Lumber DOL=1.60 plate grip DOL=1.60
 - 3) WARNING: This long span truss requires extreme care and experience for proper and safe handling and erection. For general handling and erection guidance, see Guide to Good Practice for Handling, Installing & Bracing of Metal Plate Connected Wood Trusses ("BCSI"), jointly produced by SBCA and TPI. The building owner or the owner's authorized agent shall contract with a qualified registered design professional for the design and inspection of the temporary installation restraint/bracing and the permanent individual truss member restraint/bracing. MiTek assumes no responsibility for truss manufacture, handling, erection, or bracing.
 - 4) Provide adequate drainage to prevent water ponding.
 - 5) This truss has been designed for a 10.0 psf bottom chord live load nonconcurrent with any other live loads.
 - 6) * This truss has been designed for a live load of 20.0psf on the bottom chord in all areas where a rectangle 3-6-0 tall by 2-0-0 wide will fit between the bottom chord and any other members, with BCDL = 10.0psf.
 - 7) Bearing at joint(s) 1 considers parallel to grain value using ANSI/TPI 1 angle to grain formula. Building designer should verify capacity of bearing surface.
 - 8) Provide mechanical connection (by others) of truss to bearing plate capable of withstanding 12 lb uplift at joint 1, 238 lb uplift at joint 17 and 203 lb uplift at joint 12.
 - 9) Graphical purlin representation does not depict the size or the orientation of the purlin along the top and/or bottom chord.



September 19,2023

Job J0923-5025	Truss A1GE	Truss Type GABLE	Qty 1	Ply 1	Weaver/Lot 48 West Pointe/Harnett Job Reference (optional)	160846457
-------------------	---------------	---------------------	----------	----------	---	-----------

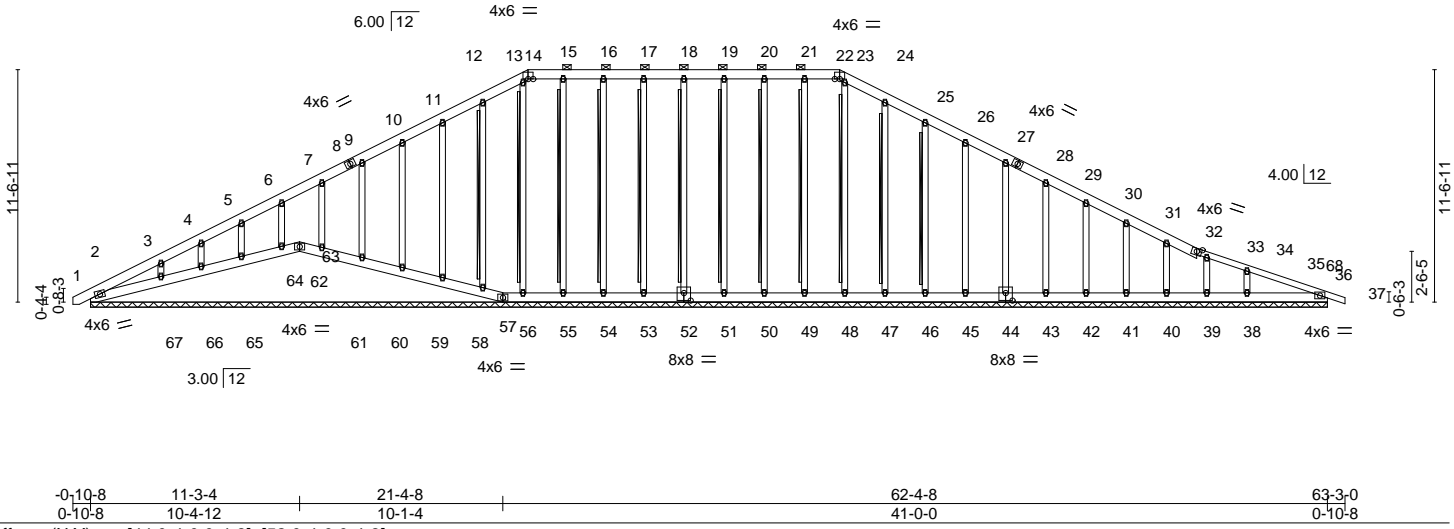
Comtech, Inc. Fayetteville, NC - 28314,

8.430 s Jan 6 2022 MiTek Industries, Inc. Mon Sep 18 13:15:00 2023 Page 1

ID:Jh9ByfjRPPU?mMRDxzGWXKyZ53p-RfC?PsB70Hq3NSgPqnL8w3uITXbGKWrCDoi7J4zJC?f

-0-10-8	22-7-8	38-1-8	55-10-8	62-4-8	63-3-0
0-10-8	21-9-0	15-5-15	17-9-0	6-6-0	0-10-8

Scale = 1:114.6



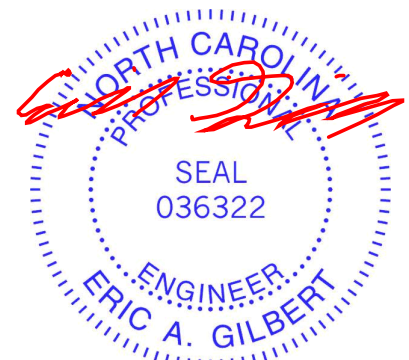
LOADING (psf)	SPACING-	CSL	DEFL.	PLATES	GRIP
TCLL 20.0	2-0-0	TC 0.11	in (loc) l/defl L/d	MT20	244/190
TCDL 10.0	Plate Grip DOL 1.15	BC 0.05	Vert(LL) 0.00 37 n/r 120		
BCLL 0.0 *	Lumber DOL 1.15	WB 0.14	Vert(CT) 0.00 37 n/r 120		
BCDL 10.0	Rep Stress Incr YES	Matrix-S	Horz(CT) 0.01 36 n/a n/a		
	Code IRC2015/TP12014			Weight: 574 lb	FT = 20%

LUMBER-	BRACING-
TOP CHORD 2x6 SP No.1 *Except* 33-37: 2x4 SP No.1	TOP CHORD Structural wood sheathing directly applied or 6-0-0 oc purlins, except 2-0-0 oc purlins (6-0-0 max.): 14-22.
BOT CHORD 2x6 SP No.1	BOT CHORD Rigid ceiling directly applied or 10-0-0 oc bracing.
OTHERS 2x4 SP No.2	WEBS T-Brace: 2x4 SPF No.2 - 18-52, 17-53, 16-54, 15-55, 13-56, 12-58, 19-51, 20-50, 21-49, 23-48, 24-47, 25-46
	Fasten (2X) T and I braces to narrow edge of web with 10d (0.131"x3") nails, 6in o.c., with 3in minimum end distance. Brace must cover 90% of web length.

REACTIONS. All bearings 61-6-0.
(lb) - Max Horz 2=228(LC 12)
Max Uplift All uplift 100 lb or less at joint(s) 2, 57, 52, 53, 54, 55, 58, 59, 60, 61, 62, 64, 65, 66, 51, 50, 49, 47, 46, 45, 44, 43, 42, 41, 40, 39, 36 except 67=142(LC 12), 38=117(LC 13)
Max Grav All reactions 250 lb or less at joint(s) 2, 63, 57, 52, 53, 54, 55, 56, 58, 59, 60, 61, 62, 64, 65, 66, 51, 50, 49, 48, 47, 46, 45, 44, 43, 42, 41, 40, 39, 36 except 67=274(LC 23), 38=316(LC 24)

FORCES. (lb) - Max. Comp./Max. Ten. - All forces 250 (lb) or less except when shown.
TOP CHORD 2-3=-308/128, 9-10=-90/270, 10-11=-110/328, 11-12=-131/388, 12-13=-150/441, 13-14=-141/400, 14-15=-138/425, 15-16=-138/425, 16-17=-138/425, 17-18=-138/425, 18-19=-138/425, 19-20=-138/425, 20-21=-138/425, 21-22=-138/425, 22-23=-141/400, 23-24=-150/429, 24-25=-131/376, 25-26=-110/316, 26-27=-90/258
WEBS 3-67=-194/267

- NOTES-**
- 1) Unbalanced roof live loads have been considered for this design.
 - 2) Wind: ASCE 7-10; Vult=130mph Vasd=103mph; TC DL=6.0psf; BCDL=6.0psf; h=15ft; Cat. II; Exp C; Enclosed; MWFRS (envelope) gable end zone and C-C Corner(3) -0-8-10 to 3-6-0, Exterior(2) 3-6-0 to 21-9-0, Corner(3) 21-9-0 to 26-1-13, Exterior(2) 26-1-13 to 37-3-0, Corner(3) 37-3-0 to 41-6-0, Exterior(2) 41-6-0 to 62-4-8 zone; C-C for members and forces & MWFRS for reactions shown; Lumber DOL=1.60 plate grip DOL=1.60
 - 3) Truss designed for wind loads in the plane of the truss only. For studs exposed to wind (normal to the face), see Standard Industry Gable End Details as applicable, or consult qualified building designer as per ANSI/TP1 1.
 - 4) WARNING: This long span truss requires extreme care and experience for proper and safe handling and erection. For general handling and erection guidance, see Guide to Good Practice for Handling, Installing & Bracing of Metal Plate Connected Wood Trusses ("BCSI"), jointly produced by SBCA and TPI. The building owner or the owner's authorized agent shall contract with a qualified registered design professional for the design and inspection of the temporary installation restraint/bracing and the permanent individual truss member restraint/bracing. MiTek assumes no responsibility for truss manufacture, handling, erection, or bracing.
 - 5) Provide adequate drainage to prevent water ponding.



September 19, 2023

WARNING - Verify design parameters and READ NOTES ON THIS AND INCLUDED MITEK REFERENCE PAGE MII-7473 rev. 1/2/2023 BEFORE USE.

Design valid for use only with MiTek® connectors. This design is based only upon parameters shown, and is for an individual building component, not a truss system. Before use, the building designer must verify the applicability of design parameters and properly incorporate this design into the overall building design. Bracing indicated is to prevent buckling of individual truss web and/or chord members only. Additional temporary and permanent bracing is always required for stability and to prevent collapse with possible personal injury and property damage. For general guidance regarding the fabrication, storage, delivery, erection and bracing of trusses and truss systems, see **ANSI/TP1 Quality Criteria and DSB-22** available from Truss Plate Institute (www.tpinst.org) and **BCSI Building Component Safety Information** available from the Structural Building Component Association (www.sbcacomponents.com)

TRENCO
ENGINEERING BY
A MiTek Affiliate
818 Soundside Road
Edenton, NC 27932

Job	Truss	Truss Type	Qty	Ply	Weaver/Lot 48 West Pointe/Harnnett	I60846457
J0923-5025	A1GE	GABLE	1	1	Job Reference (optional)	

Comtech, Inc. Fayetteville, NC - 28314,

8.430 s Jan 6 2022 MiTek Industries, Inc. Mon Sep 18 13:15:00 2023 Page 2
 ID:Jh9ByfjRPPU?mMRDxzGWXKyZ53p-RfC?PsB70Hq3NSgPqnL8w3uITXbGKWrCDoi7J4zJC?f

NOTES-

- 7) Gable requires continuous bottom chord bearing.
- 8) Gable studs spaced at 2-0-0 oc.
- 9) This truss has been designed for a 10.0 psf bottom chord live load nonconcurrent with any other live loads.
- 10) * This truss has been designed for a live load of 20.0psf on the bottom chord in all areas where a rectangle 3-6-0 tall by 2-0-0 wide will fit between the bottom chord and any other members.
- 11) Provide mechanical connection (by others) of truss to bearing plate capable of withstanding 100 lb uplift at joint(s) 2, 57, 52, 53, 54, 55, 58, 59, 60, 61, 62, 64, 65, 66, 51, 50, 49, 47, 46, 45, 44, 43, 42, 41, 40, 39, 36 except (jt=lb) 67=142, 38=117.
- 12) See Standard Industry Piggyback Truss Connection Detail for Connection to base truss as applicable, or consult qualified building designer.
- 13) Graphical purlin representation does not depict the size or the orientation of the purlin along the top and/or bottom chord.
- 14) Warning: Additional permanent and stability bracing for truss system (not part of this component design) is always required.

WARNING - Verify design parameters and READ NOTES ON THIS AND INCLUDED MITEK REFERENCE PAGE MII-7473 rev. 1/2/2023 BEFORE USE.

Design valid for use only with MiTek® connectors. This design is based only upon parameters shown, and is for an individual building component, not a truss system. Before use, the building designer must verify the applicability of design parameters and properly incorporate this design into the overall building design. Bracing indicated is to prevent buckling of individual truss web and/or chord members only. Additional temporary and permanent bracing is always required for stability and to prevent collapse with possible personal injury and property damage. For general guidance regarding the fabrication, storage, delivery, erection and bracing of trusses and truss systems, see **ANSI/TP1 Quality Criteria and DSB-22** available from Truss Plate Institute (www.tpinst.org) and **BCSI Building Component Safety Information** available from the Structural Building Component Association (www.sbcacomponents.com)



818 Soundside Road
 Edenton, NC 27932

Job J0923-5025	Truss A2	Truss Type PIGGYBACK BASE	Qty 3	Ply 1	Weaver/Lot 48 West Pointe/Harnett Job Reference (optional)	160846458
-------------------	-------------	------------------------------	----------	----------	---	-----------

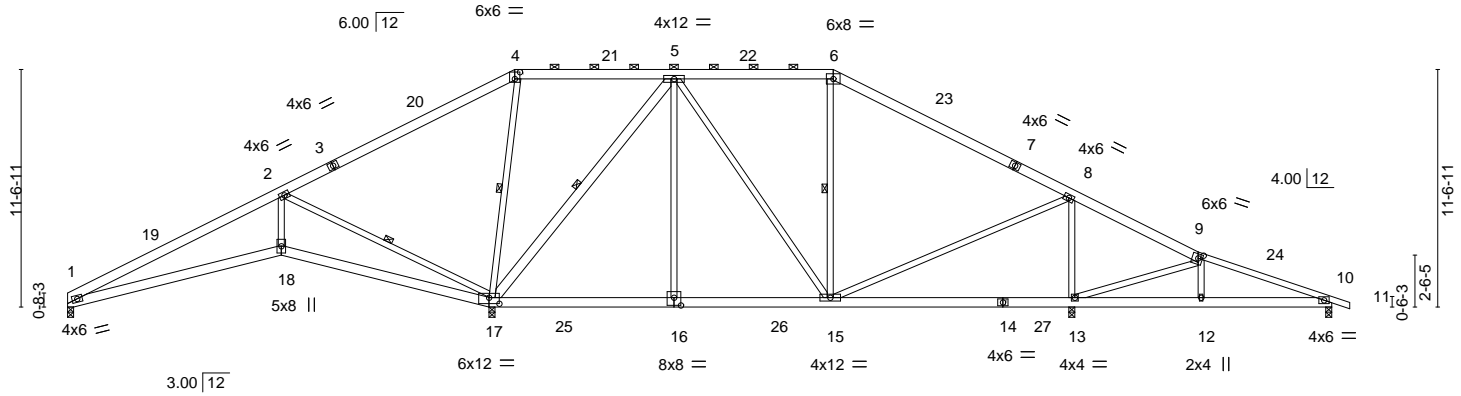
Comtech, Inc. Fayetteville, NC - 28314,

8.430 s Jan 6 2022 MiTek Industries, Inc. Mon Sep 18 13:15:03 2023 Page 1

ID:Jh9ByfjRPPU?mMRDxzGWXKyZ53p-RfC?PsB70Hq3NSgPqnL8w3uITXbGKWrCDoi7J4zJC?f

10-4-12	21-9-0	29-6-0	37-3-0	48-10-4	55-0-0	61-6-0	62-4-8
10-4-12	11-4-4	7-9-0	7-9-0	11-7-4	6-1-12	6-6-0	0-10-8

Scale = 1:112.1



10-4-12	20-6-0	20-7-12	29-6-0	37-3-0	48-10-4	55-0-0	61-6-0
10-4-12	10-1-4	0-1-12	8-10-4	7-9-0	11-7-4	6-1-12	6-6-0

Plate Offsets (X, Y)-- [4:0-3-0,0-4-0], [9:0-2-8,0-2-8], [16:0-4-0,0-4-8], [17:0-6-0,0-3-8]

LOADING (psf)	SPACING-	2-0-0	CSI.	DEFL.	in (loc)	l/defl	L/d	PLATES	GRIP
TCLL 20.0	Plate Grip DOL	1.15	TC 0.63	Vert(LL)	-0.10	1-18	>999	MT20	244/190
TCDL 10.0	Lumber DOL	1.15	BC 0.33	Vert(CT)	-0.21	1-18	>999		
BCLL 0.0 *	Rep Stress Incr	YES	WB 0.69	Horz(CT)	0.03	10	n/a		
BCDL 10.0	Code IRC2015/TPI2014		Matrix-S	Wind(LL)	0.04	1-18	>999		
								Weight: 455 lb	FT = 20%

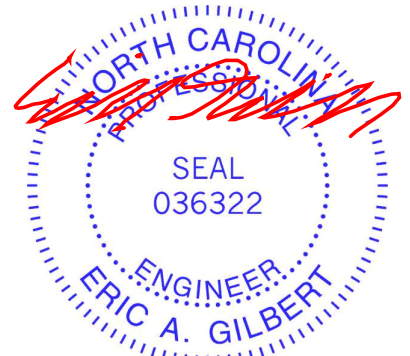
LUMBER-
TOP CHORD 2x6 SP No.1 *Except*
9-11: 2x4 SP No.1
BOT CHORD 2x6 SP No.1
WEBS 2x4 SP No.2 *Except*
5-17: 2x6 SP No.1

BRACING-
TOP CHORD Structural wood sheathing directly applied or 6-0-0 oc purlins, except 2-0-0 oc purlins (6-0-0 max.): 4-6.
BOT CHORD Rigid ceiling directly applied or 6-0-0 oc bracing.
WEBS 1 Row at midpt 4-17, 5-17, 6-15, 2-17

REACTIONS. All bearings 0-3-8.
(lb) - Max Horz 1=-149(LC 10)
Max Uplift All uplift 100 lb or less at joint(s) 1, 10 except 17=-172(LC 12), 13=-161(LC 13)
Max Grav All reactions 250 lb or less at joint(s) except 1=366(LC 23), 17=2672(LC 1), 13=1624(LC 24), 10=446(LC 24)

FORCES. (lb) - Max. Comp./Max. Ten. - All forces 250 (lb) or less except when shown.
TOP CHORD 1-2=-261/110, 2-4=-105/1120, 4-5=0/774, 5-6=-506/333, 6-8=-710/264, 8-9=0/303, 9-10=-515/100
BOT CHORD 16-17=-88/387, 15-16=-88/387, 12-13=-13/413, 10-12=-10/421
WEBS 4-17=-971/305, 5-17=-1386/264, 5-15=-92/461, 8-15=-6/654, 8-13=-1220/387, 5-16=0/485, 6-15=-393/196, 2-17=-1160/324, 2-18=0/455, 9-13=-560/150

- NOTES-**
- Unbalanced roof live loads have been considered for this design.
 - Wind: ASCE 7-10; Vult=130mph Vasd=103mph; TCCL=6.0psf; BCDL=6.0psf; h=15ft; Cat. II; Exp C; Enclosed; MWFRS (envelope) and C-C Exterior(2) 0-1-12 to 4-6-9, Interior(1) 4-6-9 to 21-9-0, Exterior(2) 21-9-0 to 26-1-13, Interior(1) 26-1-13 to 37-3-0, Exterior(2) 37-3-0 to 41-7-12, Interior(1) 41-7-12 to 62-4-8 zone; C-C for members and forces & MWFRS for reactions shown; Lumber DOL=1.60 plate grip DOL=1.60
 - WARNING:** This long span truss requires extreme care and experience for proper and safe handling and erection. For general handling and erection guidance, see Guide to Good Practice for Handling, Installing & Bracing of Metal Plate Connected Wood Trusses ("BCSI"), jointly produced by SBCA and TPI. The building owner or the owner's authorized agent shall contract with a qualified registered design professional for the design and inspection of the temporary installation restraint/bracing and the permanent individual truss member restraint/bracing. MiTek assumes no responsibility for truss manufacture, handling, erection, or bracing.
 - Provide adequate drainage to prevent water ponding.
 - This truss has been designed for a 10.0 psf bottom chord live load nonconcurrent with any other live loads.
 - * This truss has been designed for a live load of 20.0psf on the bottom chord in all areas where a rectangle 3-6-0 tall by 2-0-0 wide will fit between the bottom chord and any other members, with BCDL = 10.0psf.
 - Bearing at joint(s) 1 considers parallel to grain value using ANSI/TPI 1 angle to grain formula. Building designer should verify capacity of bearing surface.
 - Provide mechanical connection (by others) of truss to bearing plate capable of withstanding 100 lb uplift at joint(s) 1, 10 except (jt=lb) 17=172, 13=161.
 - Graphical purlin representation does not depict the size or the orientation of the purlin along the top and/or bottom chord.



September 19, 2023

WARNING - Verify design parameters and READ NOTES ON THIS AND INCLUDED MITEK REFERENCE PAGE MII-7473 rev. 1/2/2023 BEFORE USE.

Design valid for use only with MiTek® connectors. This design is based only upon parameters shown, and is for an individual building component, not a truss system. Before use, the building designer must verify the applicability of design parameters and properly incorporate this design into the overall building design. Bracing indicated is to prevent buckling of individual truss web and/or chord members only. Additional temporary and permanent bracing is always required for stability and to prevent collapse with possible personal injury and property damage. For general guidance regarding the fabrication, storage, delivery, erection and bracing of trusses and truss systems, see **ANSI/TPI Quality Criteria and DSB-22** available from Truss Plate Institute (www.tpinst.org) and **BCSI Building Component Safety Information** available from the Structural Building Component Association (www.sbcacomponents.com)



818 Soundside Road
Edenton, NC 27932

Job J0923-5025	Truss A3	Truss Type PIGGYBACK BASE	Qty 4	Ply 1	Weaver/Lot 48 West Pointe/Harnett	160846459
					Job Reference (optional)	

Comtech, Inc. Fayetteville, NC - 28314,

8.430 s Jan 6 2022 MiTek Industries, Inc. Mon Sep 18 13:15:04 2023 Page 1

ID:Jh9ByfjRPPU?mMRDxzGWXKyZ53p-RfC?PsB70Hq3NSgPqnL8w3uITXbGKwrcDoi7J4zJC?f



Scale = 1:105.7

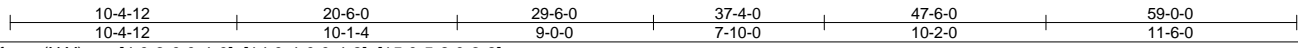
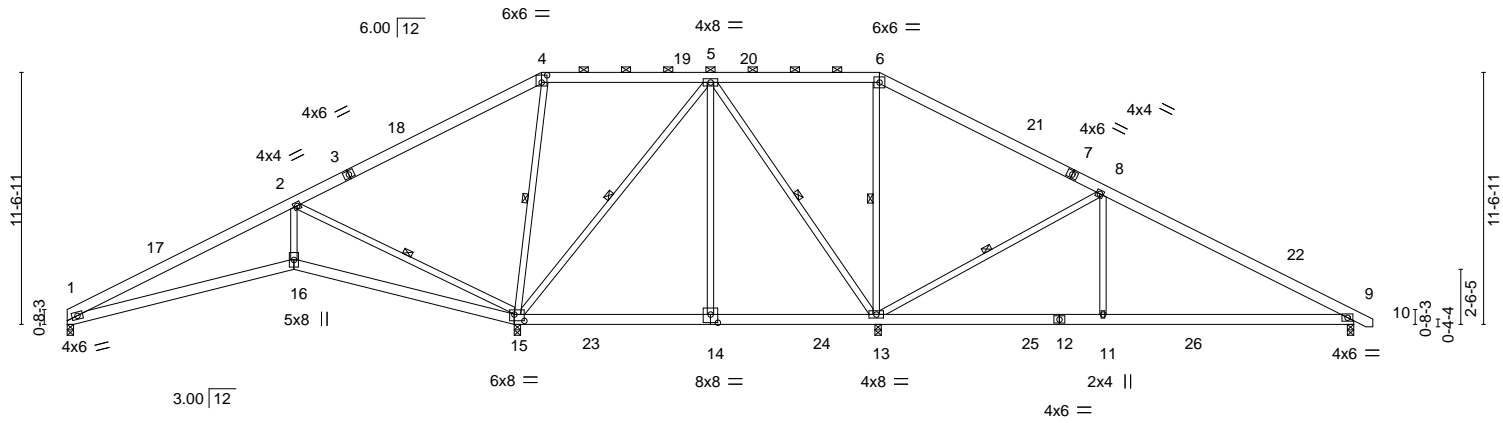


Plate Offsets (X, Y)-- [4:0-3-0,0-4-0], [14:0-4-0,0-4-8], [15:0-5-8,0-3-8]

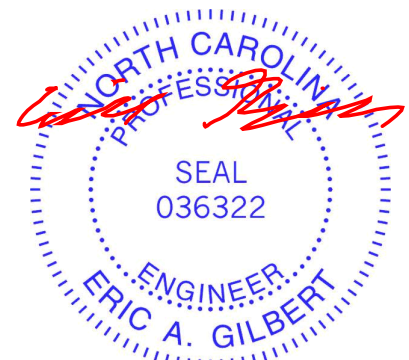
LOADING (psf)	SPACING- 2-0-0	CSI.	DEFL. in (loc) l/defl L/d	PLATES	GRIP
TCLL 20.0	Plate Grip DOL 1.15	TC 0.63	Vert(LL) -0.10 9-11 >999 360	MT20	244/190
TCDL 10.0	Lumber DOL 1.15	BC 0.38	Vert(CT) -0.23 9-11 >999 240		
BCLL 0.0 *	Rep Stress Incr YES	WB 0.77	Horz(CT) 0.04 9 n/a n/a		
BCDL 10.0	Code IRC2015/TPI2014	Matrix-S	Wind(LL) 0.06 9-11 >999 240	Weight: 426 lb	FT = 20%

LUMBER-	BRACING-
TOP CHORD 2x6 SP No.1	TOP CHORD Structural wood sheathing directly applied or 6-0-0 oc purlins, except 2-0-0 oc purlins (10-0-0 max.): 4-6.
BOT CHORD 2x6 SP No.1	BOT CHORD Rigid ceiling directly applied or 6-0-0 oc bracing.
WEBS 2x4 SP No.2	WEBS 1 Row at midpt 2-15, 4-15, 5-15, 5-13, 6-13, 8-13

REACTIONS. All bearings 0-3-8.
 (lb) - Max Horz 1=147(LC 10)
 Max Uplift All uplift 100 lb or less at joint(s) 1 except 15=219(LC 12), 13=111(LC 13), 9=102(LC 13)
 Max Grav All reactions 250 lb or less at joint(s) except 1=389(LC 23), 15=2162(LC 23), 13=1918(LC 26), 9=691(LC 24)

FORCES. (lb) - Max. Comp./Max. Ten. - All forces 250 (lb) or less except when shown.
 TOP CHORD 1-2=-351/92, 2-4=-107/1077, 4-5=0/739, 5-6=0/573, 6-8=0/708, 8-9=-740/169
 BOT CHORD 1-16=-60/274, 15-16=-59/269, 14-15=-392/261, 13-14=-392/261, 11-13=-17/558, 9-11=-17/558
 WEBS 2-16=0/481, 2-15=-1200/354, 4-15=-948/323, 5-15=-690/107, 5-14=0/496, 5-13=-620/139, 6-13=-730/252, 8-13=-1215/356, 8-11=0/523

- NOTES-**
- Unbalanced roof live loads have been considered for this design.
 - Wind: ASCE 7-10; Vult=130mph Vasd=103mph; TCDL=6.0psf; BCDL=6.0psf; h=15ft; Cat. II; Exp C; Enclosed; MWFRS (envelope) and C-C Exterior(2) 0-1-12 to 4-6-9, Interior(1) 4-6-9 to 21-9-0, Exterior(2) 21-9-0 to 27-11-11, Interior(1) 27-11-11 to 37-3-0, Exterior(2) 37-3-0 to 43-5-10, Interior(1) 43-5-10 to 59-8-10 zone;C-C for members and forces & MWFRS for reactions shown; Lumber DOL=1.60 plate grip DOL=1.60
 - Provide adequate drainage to prevent water ponding.
 - This truss has been designed for a 10.0 psf bottom chord live load nonconcurrent with any other live loads.
 - * This truss has been designed for a live load of 20.0psf on the bottom chord in all areas where a rectangle 3-6-0 tall by 2-0-0 wide will fit between the bottom chord and any other members, with BCDL = 10.0psf.
 - Bearing at joint(s) 1 considers parallel to grain value using ANSI/TPI 1 angle to grain formula. Building designer should verify capacity of bearing surface.
 - Provide mechanical connection (by others) of truss to bearing plate capable of withstanding 100 lb uplift at joint(s) 1 except (jt=lb) 15=219, 13=111, 9=102.
 - Graphical purlin representation does not depict the size or the orientation of the purlin along the top and/or bottom chord.



WARNING - Verify design parameters and READ NOTES ON THIS AND INCLUDED MITEK REFERENCE PAGE MII-7473 rev. 1/2/2023 BEFORE USE.
 Design valid for use only with MiTek® connectors. This design is based only upon parameters shown, and is for an individual building component, not a truss system. Before use, the building designer must verify the applicability of design parameters and properly incorporate this design into the overall building design. Bracing indicated is to prevent buckling of individual truss web and/or chord members only. Additional temporary and permanent bracing is always required for stability and to prevent collapse with possible personal injury and property damage. For general guidance regarding the fabrication, storage, delivery, erection and bracing of trusses and truss systems, see **ANSI/TPI1 Quality Criteria and DSB-22** available from Truss Plate Institute (www.tpinst.org) and **BCSI Building Component Safety Information** available from the Structural Building Component Association (www.sbcacomponents.com)

ENGINEERING BY
TRENCO
 A MITTEK Affiliate
 818 Soundside Road
 Edenton, NC 27932

Job J0923-5025	Truss A4	Truss Type PIGGYBACK BASE	Qty 2	Ply 1	Weaver/Lot 48 West Pointe/Harnett Job Reference (optional)	160846460
-------------------	-------------	------------------------------	----------	----------	---	-----------

Comtech, Inc. Fayetteville, NC - 28314,

8.430 s Jan 6 2022 MiTek Industries, Inc. Mon Sep 18 13:15:06 2023 Page 1

ID:Jh9ByfjRPPU?mMRDxzGWXKyZ53p-RfC?PsB70Hq3NSgPqnL8w3uITXbGKwrcDoi7J4zJC?f

-0-10-8	11-6-0	21-9-0	29-6-0	37-3-0	47-6-0	59-0-0	59-10-8
0-10-8	11-6-0	10-3-0	7-9-0	7-9-0	10-3-0	11-6-0	0-10-8

Scale = 1:106.2

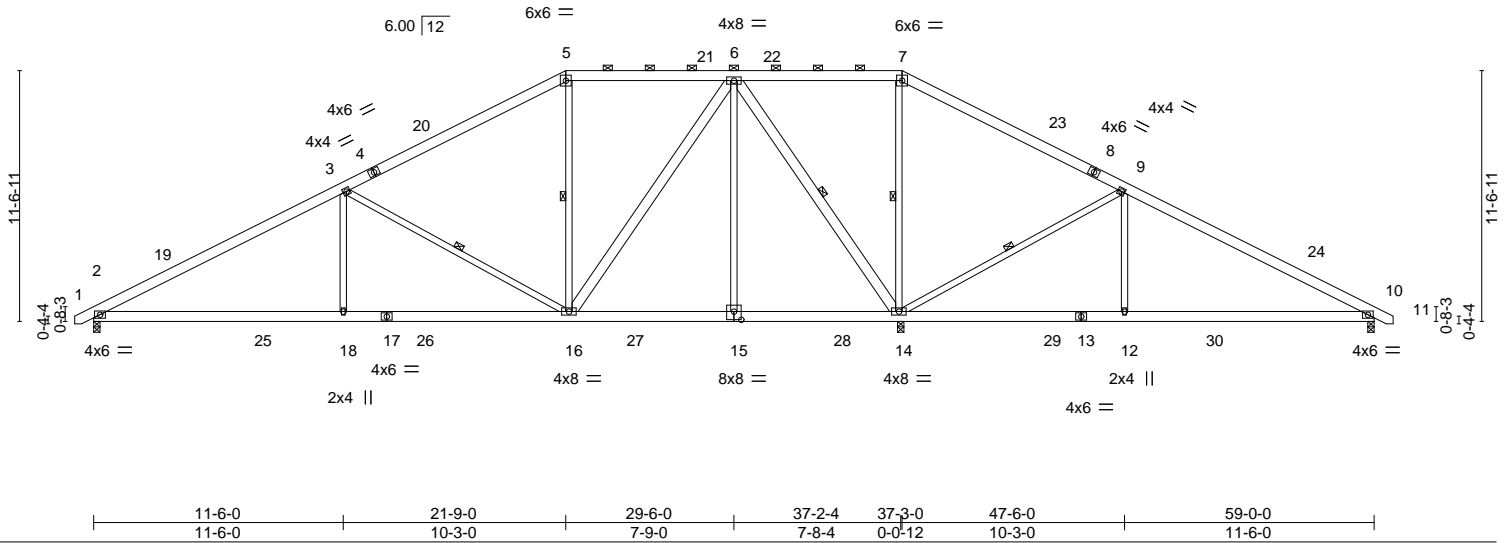


Plate Offsets (X,Y)--	[15:0-4-0,0-4-8]				
LOADING (psf)	SPACING- 2-0-0	CSI.	DEFL. in (loc) l/defl L/d	PLATES	GRIP
TCLL 20.0	Plate Grip DOL 1.15	TC 0.63	Vert(LL) -0.11 2-18 >999 360	MT20	244/190
TCDL 10.0	Lumber DOL 1.15	BC 0.49	Vert(CT) -0.26 2-18 >999 240		
BCLL 0.0 *	Rep Stress Incr YES	WB 0.87	Horz(CT) 0.03 14 n/a n/a		
BCDL 10.0	Code IRC2015/TPI2014	Matrix-S	Wind(LL) 0.08 2-18 >999 240	Weight: 452 lb	FT = 20%

LUMBER-	BRACING-
TOP CHORD 2x6 SP No.1	TOP CHORD Structural wood sheathing directly applied or 4-7-12 oc purlins, except
BOT CHORD 2x6 SP No.1 *Except* 15-17,13-15: 2x6 SP 2400F 2.0E	2-0-0 oc purlins (6-0-0 max.): 5-7.
WEBS 2x4 SP No.2 *Except* 6-16,6-14: 2x6 SP No.1	BOT CHORD Rigid ceiling directly applied or 6-0-0 oc bracing.
	WEBS 1 Row at midpt 3-16, 5-16, 6-14, 7-14, 9-14


REACTIONS. (size) 2=0-3-8, 14=0-3-8, 10=0-3-8
 Max Horz 2=146(LC 11)
 Max Uplift 2=-105(LC 12), 14=-16(LC 12), 10=-103(LC 13)
 Max Grav 2=1297(LC 23), 14=3293(LC 2), 10=551(LC 24)

FORCES. (lb) - Max. Comp./Max. Ten. - All forces 250 (lb) or less except when shown.
 TOP CHORD 2-3=-2045/438, 3-5=-1014/360, 5-6=-761/410, 6-7=0/993, 7-9=-78/1191, 9-10=-428/372
 BOT CHORD 2-18=-268/1737, 16-18=-268/1737, 12-14=-273/261, 10-12=-273/261
 WEBS 3-18=0/519, 3-16=-1181/351, 6-16=-229/1034, 6-15=0/421, 6-14=-1943/432,
 7-14=-916/297, 9-14=-1221/360, 9-12=0/519

- NOTES-**
- Unbalanced roof live loads have been considered for this design.
 - Wind: ASCE 7-10; Vult=130mph Vasd=103mph; TC DL=6.0psf; BCDL=6.0psf; h=15ft; Cat. II; Exp C; Enclosed; MWFRS (envelope) and C-C Exterior(2) -0-8-10 to 3-8-3, Interior(1) 3-8-3 to 21-9-0, Exterior(2) 21-9-0 to 27-11-11, Interior(1) 27-11-11 to 37-3-0, Exterior(2) 37-3-0 to 43-5-10, Interior(1) 43-5-10 to 59-8-10 zone;C-C for members and forces & MWFRS for reactions shown; Lumber DOL=1.60 plate grip DOL=1.60
 - Provide adequate drainage to prevent water ponding.
 - This truss has been designed for a 10.0 psf bottom chord live load nonconcurrent with any other live loads.
 - * This truss has been designed for a live load of 20.0psf on the bottom chord in all areas where a rectangle 3-6-0 tall by 2-0-0 wide will fit between the bottom chord and any other members, with BCDL = 10.0psf.
 - Provide mechanical connection (by others) of truss to bearing plate capable of withstanding 100 lb uplift at joint(s) 14 except (jt=lb) 2=105, 10=103.
 - See Standard Industry Piggyback Truss Connection Detail for Connection to base truss as applicable, or consult qualified building designer.
 - Graphical purlin representation does not depict the size or the orientation of the purlin along the top and/or bottom chord.



September 19, 2023

<p>WARNING - Verify design parameters and READ NOTES ON THIS AND INCLUDED MITEK REFERENCE PAGE MII-7473 rev. 1/2/2023 BEFORE USE.</p> <p>Design valid for use only with MiTek® connectors. This design is based only upon parameters shown, and is for an individual building component, not a truss system. Before use, the building designer must verify the applicability of design parameters and properly incorporate this design into the overall building design. Bracing indicated is to prevent buckling of individual truss web and/or chord members only. Additional temporary and permanent bracing is always required for stability and to prevent collapse with possible personal injury and property damage. For general guidance regarding the fabrication, storage, delivery, erection and bracing of trusses and truss systems, see ANSI/TPH Quality Criteria and DSB-22 available from Truss Plate Institute (www.tpinst.org) and BCSI Building Component Safety Information available from the Structural Building Component Association (www.sbcacomponents.com)</p>	 <p>818 Soundside Road Edenton, NC 27932</p>
--	---

Job	Truss	Truss Type	Qty	Ply	Weaver/Lot 48 West Pointe/Harnett	160846461
J0923-5025	A4A	PIGGYBACK BASE	5	1	Job Reference (optional)	

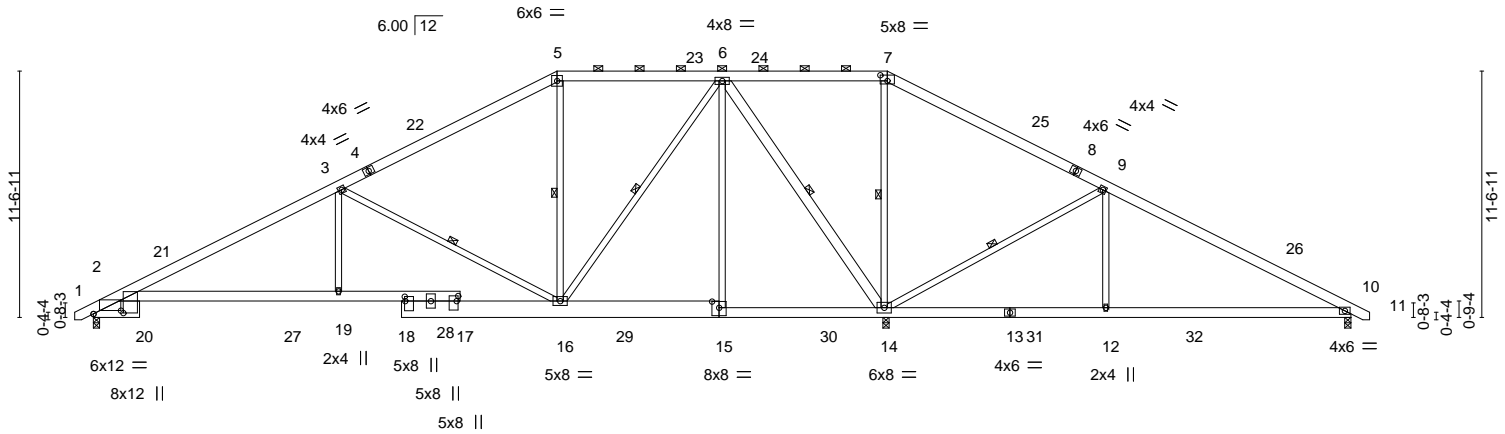
Comtech, Inc. Fayetteville, NC - 28314,

8.430 s Jan 6 2022 MiTek Industries, Inc. Mon Sep 18 13:15:07 2023 Page 1

ID:Jh9ByfjRPPU?mMRDxzGWXKyZ53p-RfC?PsB70Hq3NSgPqnL8w3uITXbGKwRCDoi7J4zJC?f

-0-10-8	11-6-0	21-9-0	29-6-0	37-3-0	47-6-0	59-0-0	59-10-8
0-10-8	11-6-0	10-3-0	7-9-0	7-9-0	10-3-0	11-6-0	0-10-8

Scale = 1:108.1



11-6-0	21-9-0	29-6-0	37-2-4	37-3-0	47-6-0	59-0-0
11-6-0	10-3-0	7-9-0	7-8-4	0-0-12	10-3-0	11-6-0

Plate Offsets (X,Y)-- [2:0-0-8,1-4-13], [2:1-3-7,0-1-14], [7:0-4-0,0-3-4], [15:0-4-0,0-3-8], [17:0-2-15,0-0-14], [18:0-2-8,0-0-5]

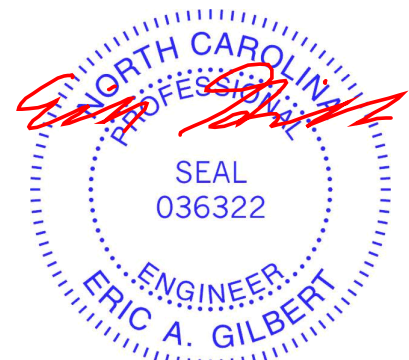
LOADING (psf)	SPACING-	2-0-0	CSI.	DEFL.	in (loc)	l/defl	L/d	PLATES	GRIP
TCLL 20.0	Plate Grip DOL	1.15	TC 0.69	Vert(LL)	-0.19	2-19	>999	MT20	244/190
TCDL 10.0	Lumber DOL	1.15	BC 0.61	Vert(CT)	-0.40	2-19	>999		
BCLL 0.0 *	Rep Stress Incr	YES	WB 0.94	Horz(CT)	0.10	14	n/a		
BCDL 10.0	Code IRC2015/TP12014		Matrix-S	Wind(LL)	0.15	2-19	>999		
								Weight: 474 lb	FT = 20%

LUMBER-	BRACING-
TOP CHORD 2x6 SP No.1	TOP CHORD Structural wood sheathing directly applied or 4-8-13 oc purlins, except
BOT CHORD 2x6 SP 2400F 2.0E *Except* 2-20,15-18; 2x10 SP No.1	2-0-0 oc purlins (6-0-0 max.): 5-7.
WEBS 2x4 SP No.2 *Except* 6-14: 2x6 SP No.1	BOT CHORD Rigid ceiling directly applied or 6-0-0 oc bracing.
	WEBS 1 Row at midpt 3-16, 5-16, 6-16, 6-14, 7-14, 9-14

REACTIONS. (size) 2=0-3-8, 14=0-3-8, 10=0-3-8
 Max Horz 2=148(LC 11)
 Max Uplift 2=-90(LC 12), 14=-57(LC 12), 10=-226(LC 23)
 Max Grav 2=1131(LC 23), 14=3662(LC 2), 10=402(LC 24)

FORCES. (lb) - Max. Comp./Max. Ten. - All forces 250 (lb) or less except when shown.
 TOP CHORD 2-3=-1905/437, 3-5=-636/300, 5-6=-421/358, 6-7=-45/1494, 7-9=-172/1731, 9-10=-173/976
 BOT CHORD 2-19=-281/1609, 16-19=-263/1609, 15-16=-379/255, 14-15=-381/254, 12-14=-809/202, 10-12=-809/202
 WEBS 3-19=0/635, 3-16=-1395/403, 5-16=-294/156, 6-16=-250/1159, 6-15=0/444, 6-14=-2089/461, 7-14=-1175/339, 9-14=-1232/361, 9-12=0/522

- NOTES-**
- 1) Unbalanced roof live loads have been considered for this design.
 - 2) Wind: ASCE 7-10; Vult=130mph Vasd=103mph; TCCL=6.0psf; BCDL=6.0psf; h=15ft; Cat. II; Exp C; Enclosed; MWFRS (envelope) and C-C Exterior(2) -0-8-10 to 3-8-3, Interior(1) 3-8-3 to 21-9-0, Exterior(2) 21-9-0 to 27-11-11, Interior(1) 27-11-11 to 37-3-0, Exterior(2) 37-3-0 to 43-5-10, Interior(1) 43-5-10 to 59-8-10 zone; C-C for members and forces & MWFRS for reactions shown; Lumber DOL=1.60 plate grip DOL=1.60
 - 3) Provide adequate drainage to prevent water ponding.
 - 4) This truss has been designed for a 10.0 psf bottom chord live load nonconcurrent with any other live loads.
 - 5) * This truss has been designed for a live load of 20.0psf on the bottom chord in all areas where a rectangle 3-6-0 tall by 2-0-0 wide will fit between the bottom chord and any other members, with BCDL = 10.0psf.
 - 6) Provide mechanical connection (by others) of truss to bearing plate capable of withstanding 100 lb uplift at joint(s) 2, 14 except (jt=lb) 10=226.
 - 7) See Standard Industry Piggyback Truss Connection Detail for Connection to base truss as applicable, or consult qualified building designer.
 - 8) Graphical purlin representation does not depict the size or the orientation of the purlin along the top and/or bottom chord.



September 19, 2023

<p>WARNING - Verify design parameters and READ NOTES ON THIS AND INCLUDED MITEK REFERENCE PAGE MII-7473 rev. 1/2/2023 BEFORE USE.</p> <p>Design valid for use only with MiTek® connectors. This design is based only upon parameters shown, and is for an individual building component, not a truss system. Before use, the building designer must verify the applicability of design parameters and properly incorporate this design into the overall building design. Bracing indicated is to prevent buckling of individual truss web and/or chord members only. Additional temporary and permanent bracing is always required for stability and to prevent collapse with possible personal injury and property damage. For general guidance regarding the fabrication, storage, delivery, erection and bracing of trusses and truss systems, see ANSI/TP1 Quality Criteria and DSB-22 available from Truss Plate Institute (www.tpinst.org) and BCSI Building Component Safety Information available from the Structural Building Component Association (www.sbcacomponents.com)</p>	<p>ENGINEERING BY</p> <p>TRENCO</p> <p>A MiTek Affiliate</p> <p>818 Soundside Road Edenton, NC 27932</p>
--	---

Job	Truss	Truss Type	Qty	Ply	Weaver/Lot 48 West Pointe/Harnett	160846462
J0923-5025	A4GE	GABLE	1	1	Job Reference (optional)	

Comtech, Inc. Fayetteville, NC - 28314,

8.430 s Jan 6 2022 MiTek Industries, Inc. Mon Sep 18 13:15:10 2023 Page 1

ID:Jh9ByfjRPPU?mMRDxzGWXKyZ53p-RfC?PsB70Hq3NSgPqnL8w3uITXbGKwrcDoi7J4zJC?f

-0-10-8	22-7-8	38-1-8	59-10-8	60-9-0
0-10-8	21-9-0	15-5-15	21-9-0	0-10-8

Scale = 1:106.2

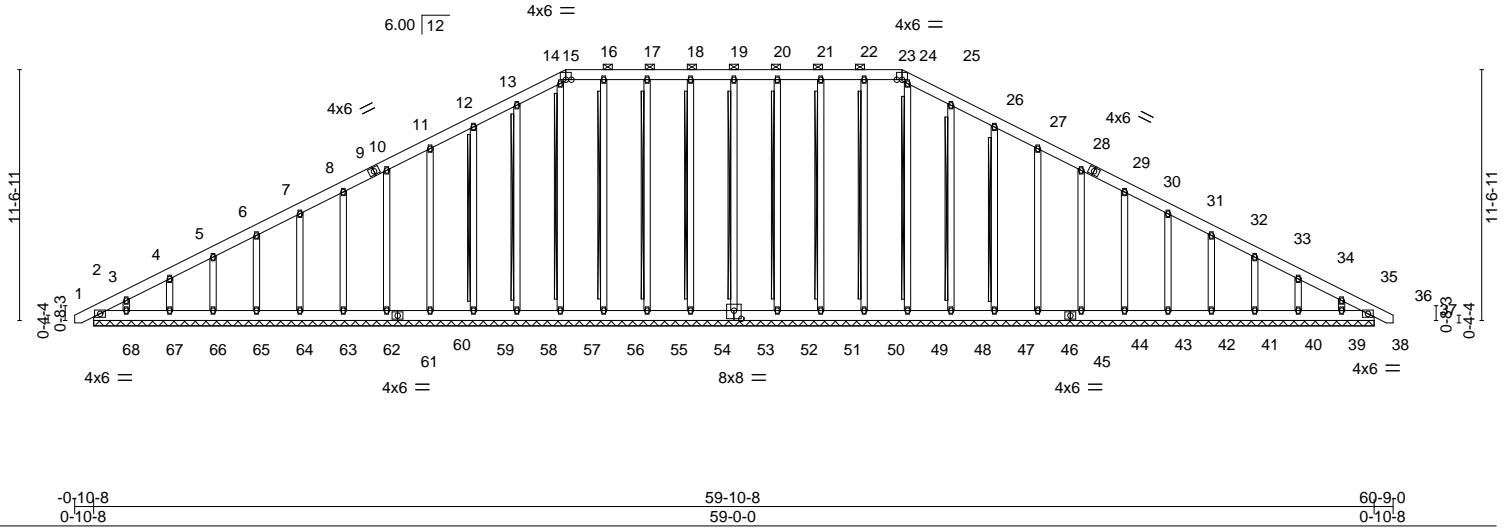


Plate Offsets (X,Y)--	[53:0-4-0-0-4-8]				
LOADING (psf)	SPACING-	2-0-0	CSI.	DEFL.	PLATES
TCLL 20.0	Plate Grip DOL 1.15		TC 0.06	in (loc) l/defl L/d	MT20
TCDL 10.0	Lumber DOL 1.15		BC 0.02	Vert(LL) -0.00 36 n/r 120	GRIP 244/190
BCLL 0.0 *	Rep Stress Incr YES		WB 0.13	Vert(CT) 0.00 36 n/r 120	
BCDL 10.0	Code IRC2015/TP12014		Matrix-S	Horz(CT) 0.01 36 n/a n/a	
					Weight: 585 lb FT = 20%

LUMBER-
 TOP CHORD 2x6 SP No.1
 BOT CHORD 2x6 SP No.1
 OTHERS 2x4 SP No.2

BRACING-
 TOP CHORD Structural wood sheathing directly applied or 6-0-0 oc purlins, except 2-0-0 oc purlins (6-0-0 max.): 15-23.
 BOT CHORD Rigid ceiling directly applied or 10-0-0 oc bracing.
 WEBS T-Brace: 2x4 SPF No.2 - 19-53, 18-54, 17-55, 16-56, 14-57, 13-58, 12-59, 20-52, 21-51, 22-50, 24-49, 25-48, 26-47
 Fasten (2X) T and I braces to narrow edge of web with 10d (0.131"x3") nails, 6in o.c., with 3in minimum end distance.
 Brace must cover 90% of web length.

REACTIONS. All bearings 59-0-0.
 (lb) - Max Horz 2=228(LC 16)
 Max Uplift All uplift 100 lb or less at joint(s) 2, 53, 54, 55, 56, 58, 59, 60, 62, 63, 64, 65, 66, 67, 68, 52, 51, 50, 48, 47, 46, 44, 43, 42, 41, 40, 39, 38
 Max Grav All reactions 250 lb or less at joint(s) 2, 36, 53, 54, 55, 56, 57, 58, 59, 60, 62, 63, 64, 65, 66, 67, 68, 52, 51, 50, 49, 48, 47, 46, 44, 43, 42, 41, 40, 39, 38

FORCES. (lb) - Max. Comp./Max. Ten. - All forces 250 (lb) or less except when shown.
 TOP CHORD 2-3=-338/109, 3-4=-272/105, 10-11=-86/256, 11-12=-107/314, 12-13=-128/374, 13-14=-146/427, 14-15=-138/389, 15-16=-135/413, 16-17=-135/413, 17-18=-135/413, 18-19=-135/413, 19-20=-135/413, 20-21=-135/413, 21-22=-135/413, 22-23=-135/413, 23-24=-138/389, 24-25=-146/430, 25-26=-128/377, 26-27=-107/317, 27-28=-86/259

NOTES-

- 1) Unbalanced roof live loads have been considered for this design.
- 2) Wind: ASCE 7-10; Vult=130mph Vasd=103mph; TC DL=6.0psf; BCDL=6.0psf; h=15ft; Cat. II; Exp C; Enclosed; MWFRS (envelope) gable end zone and C-C Corner(3) -0-8-10 to 3-6-0, Exterior(2) 3-6-0 to 21-9-0, Corner(3) 21-9-0 to 26-1-13, Exterior(2) 26-1-13 to 37-3-0, Corner(3) 37-3-0 to 41-6-0, Exterior(2) 41-6-0 to 59-8-10 zone; C-C for members and forces & MWFRS for reactions shown; Lumber DOL=1.60 plate grip DOL=1.60
- 3) Truss designed for wind loads in the plane of the truss only. For studs exposed to wind (normal to the face), see Standard Industry Gable End Details as applicable, or consult qualified building designer as per ANSI/TPI 1.
- 4) Provide adequate drainage to prevent water ponding.
- 5) All plates are 2x4 MT20 unless otherwise indicated.
- 6) Gable requires continuous bottom chord bearing.
- 7) Gable studs spaced at 2-0-0 oc.
- 8) This truss has been designed for a 10.0 psf bottom chord live load nonconcurrent with any other live loads.
- 9) * This truss has been designed for a live load of 20.0psf on the bottom chord in all areas where a rectangle 3-6-0 tall by 2-0-0 wide will fit between the bottom chord and any other members.
- 10) Provide mechanical connection (by others) of truss to bearing plate capable of withstanding 100 lb uplift at joint(s) 2, 53, 54, 55, 56, 58, 59, 60, 62, 63, 64, 65, 66, 67, 68, 52, 51, 50, 48, 47, 46, 44, 43, 42, 41, 40, 39, 38.

Continued on page 2



WARNING - Verify design parameters and READ NOTES ON THIS AND INCLUDED MITEK REFERENCE PAGE MII-7473 rev. 1/2/2023 BEFORE USE.
 Design valid for use only with MiTek® connectors. This design is based only upon parameters shown, and is for an individual building component, not a truss system. Before use, the building designer must verify the applicability of design parameters and properly incorporate this design into the overall building design. Bracing indicated is to prevent buckling of individual truss web and/or chord members only. Additional temporary and permanent bracing is always required for stability and to prevent collapse with possible personal injury and property damage. For general guidance regarding the fabrication, storage, delivery, erection and bracing of trusses and truss systems, see **ANSI/TPI1 Quality Criteria and DSB-22** available from Truss Plate Institute (www.tpinst.org) and **BCSI Building Component Safety Information** available from the Structural Building Component Association (www.sbcacomponents.com)



818 Soundside Road
 Edenton, NC 27932

Job J0923-5025	Truss A4GE	Truss Type GABLE	Qty 1	Ply 1	Weaver/Lot 48 West Pointe/Harnett Job Reference (optional)	I60846462
-------------------	---------------	---------------------	----------	----------	---	-----------

Comtech, Inc. Fayetteville, NC - 28314,

8.430 s Jan 6 2022 MiTek Industries, Inc. Mon Sep 18 13:15:10 2023 Page 2
ID:Jh9ByfjRPPU?mMRDxzGWXKyZ53p-RfC?PsB70Hq3NSgPqnL8w3uITXbGKWrCDoi7J4zJC?f

NOTES-

- 11) See Standard Industry Piggyback Truss Connection Detail for Connection to base truss as applicable, or consult qualified building designer.
- 12) Graphical purlin representation does not depict the size or the orientation of the purlin along the top and/or bottom chord.
- 13) Warning: Additional permanent and stability bracing for truss system (not part of this component design) is always required.

WARNING - Verify design parameters and READ NOTES ON THIS AND INCLUDED MITEK REFERENCE PAGE MII-7473 rev. 1/2/2023 BEFORE USE.

Design valid for use only with MiTek® connectors. This design is based only upon parameters shown, and is for an individual building component, not a truss system. Before use, the building designer must verify the applicability of design parameters and properly incorporate this design into the overall building design. Bracing indicated is to prevent buckling of individual truss web and/or chord members only. Additional temporary and permanent bracing is always required for stability and to prevent collapse with possible personal injury and property damage. For general guidance regarding the fabrication, storage, delivery, erection and bracing of trusses and truss systems, see **ANSI/TP1 Quality Criteria and DSB-22** available from Truss Plate Institute (www.tpinst.org) and **BCSI Building Component Safety Information** available from the Structural Building Component Association (www.sbcacomponents.com)



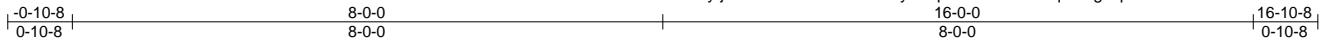
818 Soundside Road
Edenton, NC 27932

Job J0923-5025	Truss P1	Truss Type COMMON	Qty 4	Ply 1	Weaver/Lot 48 West Pointe/Harnett Job Reference (optional)	160846463
-------------------	-------------	----------------------	----------	----------	---	-----------

Comtech, Inc. Fayetteville, NC - 28314,

8.430 s Jan 6 2022 MiTek Industries, Inc. Mon Sep 18 13:15:11 2023 Page 1

ID:Jh9ByfjRPPU?mMRDxzGWXKyZ53p-RfC?PsB70Hq3NSgPqnL8w3uITXbGKWrCDoi7J4zJC?f



Scale = 1:31.2

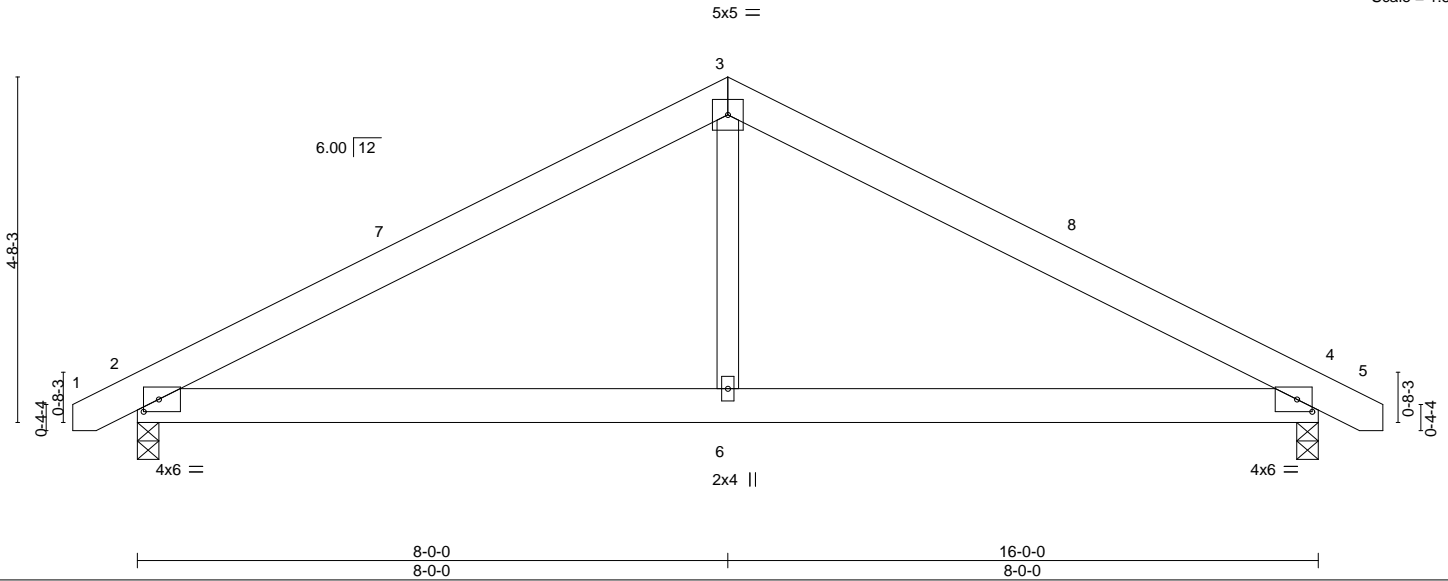


Plate Offsets (X, Y)--	[2:0-2-8,0-2-0], [4:0-2-8,0-2-0]
------------------------	----------------------------------

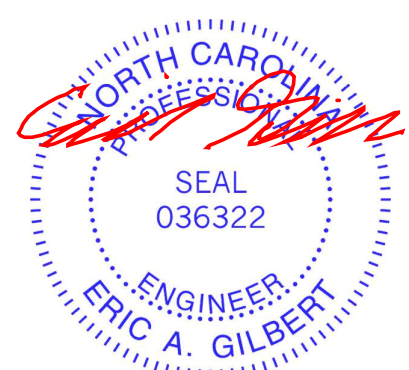
LOADING (psf)	SPACING-	CSI.	DEFL.	PLATES	GRIP
TCLL 20.0	2-0-0	TC 0.29	in (loc) l/defl L/d	MT20	244/190
TCDL 10.0	Plate Grip DOL 1.15	BC 0.24	Vert(LL) 0.06 4-6 >999 240		
BCLL 0.0 *	Lumber DOL 1.15	WB 0.13	Vert(CT) -0.05 4-6 >999 240		
BCDL 10.0	Rep Stress Incr YES	Matrix-S	Horz(CT) 0.01 4 n/a n/a		
	Code IRC2015/TPI2014			Weight: 90 lb	FT = 20%

LUMBER-	BRACING-
TOP CHORD 2x6 SP No.1	TOP CHORD Structural wood sheathing directly applied or 6-0-0 oc purlins.
BOT CHORD 2x6 SP No.1	BOT CHORD Rigid ceiling directly applied or 9-5-12 oc bracing.
WEBS 2x4 SP No.2	

REACTIONS. (size) 2=0-3-8, 4=0-3-8
 Max Horz 2=-57(LC 10)
 Max Uplift 2=-142(LC 9), 4=-142(LC 8)
 Max Grav 2=680(LC 1), 4=680(LC 1)

FORCES. (lb) - Max. Comp./Max. Ten. - All forces 250 (lb) or less except when shown.
 TOP CHORD 2-3=-876/845, 3-4=-876/843
 BOT CHORD 2-6=-619/679, 4-6=-619/679
 WEBS 3-6=-478/381

- NOTES-**
- Unbalanced roof live loads have been considered for this design.
 - Wind: ASCE 7-10; Vult=130mph Vasd=103mph; TC=6.0psf; BCDL=6.0psf; h=15ft; Cat. II; Exp C; Enclosed; MWFRS (envelope) and C-C Exterior(2) -0-8-10 to 3-8-3, Interior(1) 3-8-3 to 8-0-0, Exterior(2) 8-0-0 to 12-4-13, Interior(1) 12-4-13 to 16-8-10 zone; porch left and right exposed; C-C for members and forces & MWFRS for reactions shown; Lumber DOL=1.60 plate grip DOL=1.60
 - This truss has been designed for a 10.0 psf bottom chord live load nonconcurrent with any other live loads.
 - * This truss has been designed for a live load of 20.0psf on the bottom chord in all areas where a rectangle 3-6-0 tall by 2-0-0 wide will fit between the bottom chord and any other members.
 - Provide mechanical connection (by others) of truss to bearing plate capable of withstanding 100 lb uplift at joint(s) except (jt=lb) 2=142, 4=142.
 - See Standard Industry Piggyback Truss Connection Detail for Connection to base truss as applicable, or consult qualified building designer.



September 19, 2023

WARNING - Verify design parameters and READ NOTES ON THIS AND INCLUDED MITEK REFERENCE PAGE MII-7473 rev. 1/2/2023 BEFORE USE.

Design valid for use only with MiTek® connectors. This design is based only upon parameters shown, and is for an individual building component, not a truss system. Before use, the building designer must verify the applicability of design parameters and properly incorporate this design into the overall building design. Bracing indicated is to prevent buckling of individual truss web and/or chord members only. Additional temporary and permanent bracing is always required for stability and to prevent collapse with possible personal injury and property damage. For general guidance regarding the fabrication, storage, delivery, erection and bracing of trusses and truss systems, see **ANSI/TPH Quality Criteria and DSB-22** available from Truss Plate Institute (www.tpinst.org) and **BCSI Building Component Safety Information** available from the Structural Building Component Association (www.sbcacomponents.com)

ENGINEERING BY
TRENCO
 A MiTek Affiliate

818 Soundside Road
 Edenton, NC 27932

Job J0923-5025	Truss P1GE	Truss Type GABLE	Qty 1	Ply 1	Weaver/Lot 48 West Pointe/Harnett Job Reference (optional)	I60846464
-------------------	---------------	---------------------	----------	----------	---	-----------

Comtech, Inc. Fayetteville, NC - 28314,

8.430 s Jan 6 2022 MiTek Industries, Inc. Mon Sep 18 13:15:12 2023 Page 1

ID:Jh9ByfjRPPU?mMRDxzGWXKyZ53p-RfC?PsB70Hq3NSgPqnL8w3uITXbGKWrcDoi7J4zJC?f



Scale = 1:29.4

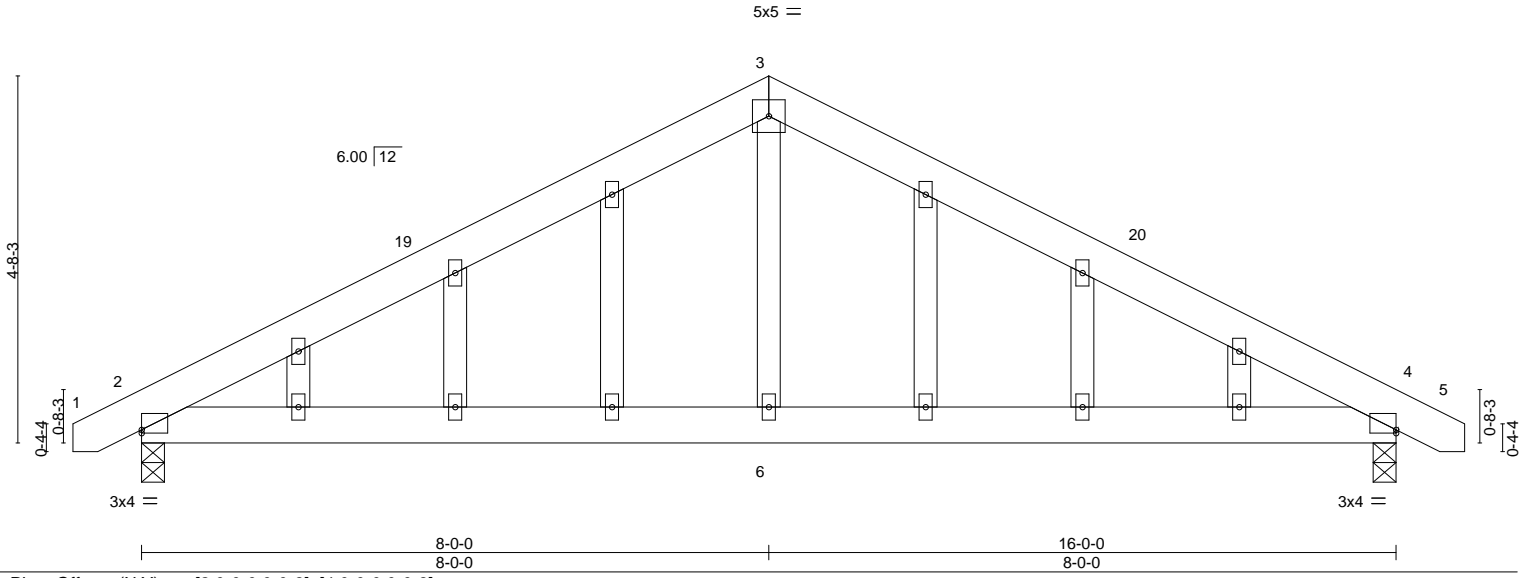


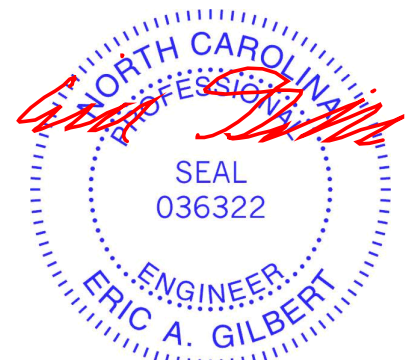
Plate Offsets (X, Y)--	[2:0-0-0,0-0-8], [4:0-0-0,0-0-8]				
LOADING (psf)	SPACING- 2-0-0	CSI.	DEFL. in (loc) l/defl L/d	PLATES	GRIP
TCLL 20.0	Plate Grip DOL 1.15	TC 0.29	Vert(LL) -0.02 4-6 >999 360	MT20	244/190
TCDL 10.0	Lumber DOL 1.15	BC 0.24	Vert(CT) -0.05 4-6 >999 240		
BCLL 0.0 *	Rep Stress Incr YES	WB 0.09	Horz(CT) 0.01 4 n/a n/a		
BCDL 10.0	Code IRC2015/TP12014	Matrix-S	Wind(LL) 0.03 2-6 >999 240	Weight: 106 lb	FT = 20%

LUMBER-	BRACING-
TOP CHORD 2x6 SP No.1	TOP CHORD Structural wood sheathing directly applied or 6-0-0 oc purlins.
BOT CHORD 2x6 SP No.1	BOT CHORD Rigid ceiling directly applied or 10-0-0 oc bracing.
WEBS 2x4 SP No.2	
OTHERS 2x4 SP No.2	

REACTIONS. (size) 2=0-3-8, 4=0-3-8
 Max Horz 2=-88(LC 13)
 Max Uplift 2=-153(LC 12), 4=-153(LC 13)
 Max Grav 2=680(LC 1), 4=680(LC 1)

FORCES. (lb) - Max. Comp./Max. Ten. - All forces 250 (lb) or less except when shown.
 TOP CHORD 2-3=-876/238, 3-4=-876/237
 BOT CHORD 2-6=-78/679, 4-6=-78/679
 WEBS 3-6=0/381

- NOTES-**
- 1) Unbalanced roof live loads have been considered for this design.
 - 2) Wind: ASCE 7-10; Vult=130mph Vasd=103mph; TCDL=6.0psf; BCDL=6.0psf; h=15ft; Cat. II; Exp C; Enclosed; MWFRS (envelope) gable end zone and C-C Exterior(2) -0-8-10 to 3-8-3, Interior(1) 3-8-3 to 8-0-0, Exterior(2) 8-0-0 to 12-4-13, Interior(1) 12-4-13 to 16-8-10 zone; C-C for members and forces & MWFRS for reactions shown; Lumber DOL=1.60 plate grip DOL=1.60
 - 3) Truss designed for wind loads in the plane of the truss only. For studs exposed to wind (normal to the face), see Standard Industry Gable End Details as applicable, or consult qualified building designer as per ANSI/TPI 1.
 - 4) All plates are 2x4 MT20 unless otherwise indicated.
 - 5) Gable studs spaced at 2-0-0 oc.
 - 6) This truss has been designed for a 10.0 psf bottom chord live load nonconcurrent with any other live loads.
 - 7) * This truss has been designed for a live load of 20.0psf on the bottom chord in all areas where a rectangle 3-6-0 tall by 2-0-0 wide will fit between the bottom chord and any other members.
 - 8) Provide mechanical connection (by others) of truss to bearing plate capable of withstanding 100 lb uplift at joint(s) except (jt=lb) 2=153, 4=153.
 - 9) See Standard Industry Piggyback Truss Connection Detail for Connection to base truss as applicable, or consult qualified building designer.



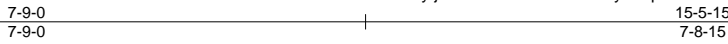
September 19, 2023

Job J0923-5025	Truss PB1	Truss Type PIGGYBACK	Qty 20	Ply 1	Weaver/Lot 48 West Pointe/Harnett I60846465
-------------------	--------------	-------------------------	-----------	----------	--

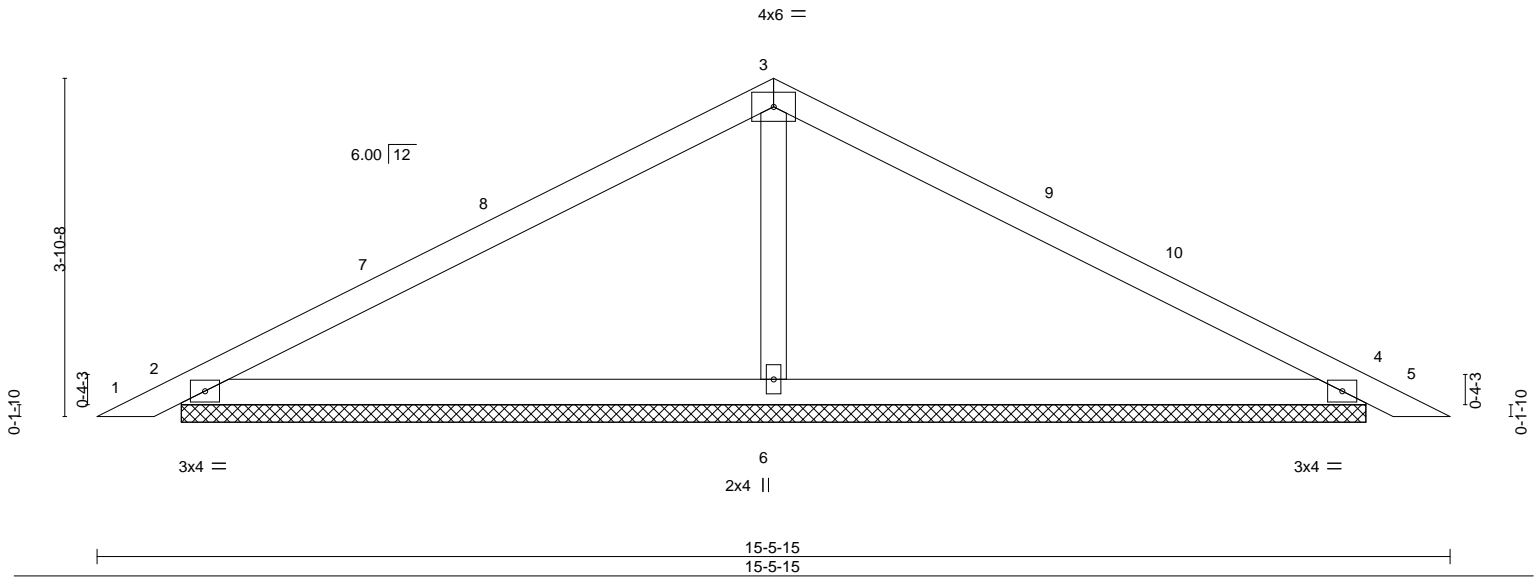
Comtech, Inc. Fayetteville, NC - 28314,

8.430 s Jan 6 2022 MiTek Industries, Inc. Mon Sep 18 13:15:13 2023 Page 1

ID:Jh9ByfjRPPU?mMRDxzGWXKyZ53p-RfC?PsB70Hq3NSgPqnL8w3uITXbGKWrcDoi7J4zJC?f



Scale = 1:26.4



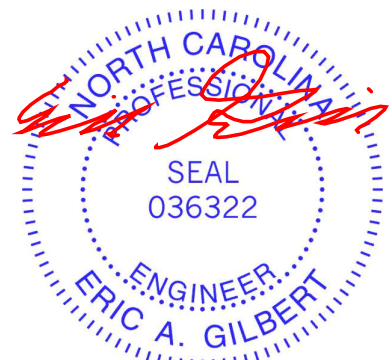
LOADING (psf)	SPACING-	CSI.	DEFL.	in (loc)	l/defl	L/d	PLATES	GRIP
TCLL 20.0	2-0-0	TC 0.48	Vert(LL)	0.03	5	n/r	MT20	244/190
TCDL 10.0	Plate Grip DOL 1.15	BC 0.33	Vert(CT)	0.05	5	n/r		
BCLL 0.0 *	Lumber DOL 1.15	WB 0.08	Horz(CT)	0.00	4	n/a		
BCDL 10.0	Rep Stress Incr YES	Matrix-S					Weight: 51 lb	FT = 20%
	Code IRC2015/TPI2014							

LUMBER-	BRACING-
TOP CHORD 2x4 SP No.1	TOP CHORD Structural wood sheathing directly applied or 6-0-0 oc purlins.
BOT CHORD 2x4 SP No.1	BOT CHORD Rigid ceiling directly applied or 10-0-0 oc bracing.
OTHERS 2x4 SP No.2	

REACTIONS. (size) 2=13-6-13, 4=13-6-13, 6=13-6-13
 Max Horz 2=-48(LC 10)
 Max Uplift 2=-42(LC 12), 4=-51(LC 13)
 Max Grav 2=291(LC 23), 4=291(LC 24), 6=586(LC 1)

FORCES. (lb) - Max. Comp./Max. Ten. - All forces 250 (lb) or less except when shown.
WEBS 3-6=-379/187

- NOTES-**
- Unbalanced roof live loads have been considered for this design.
 - Wind: ASCE 7-10; Vult=130mph Vasd=103mph; TCDL=6.0psf; BCDL=6.0psf; h=15ft; Cat. II; Exp C; Enclosed; MWFRS (envelope) and C-C Exterior(2) 0-3-15 to 4-8-11, Interior(1) 4-8-11 to 7-9-0, Exterior(2) 7-9-0 to 12-1-12, Interior(1) 12-1-12 to 15-2-0 zone; C-C for members and forces & MWFRS for reactions shown; Lumber DOL=1.60 plate grip DOL=1.60
 - Gable requires continuous bottom chord bearing.
 - This truss has been designed for a 10.0 psf bottom chord live load nonconcurrent with any other live loads.
 - * This truss has been designed for a live load of 20.0psf on the bottom chord in all areas where a rectangle 3-6-0 tall by 2-0-0 wide will fit between the bottom chord and any other members.
 - Provide mechanical connection (by others) of truss to bearing plate capable of withstanding 100 lb uplift at joint(s) 2, 4.
 - See Standard Industry Piggyback Truss Connection Detail for Connection to base truss as applicable, or consult qualified building designer.



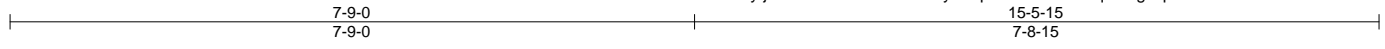
September 19, 2023

<p>WARNING - Verify design parameters and READ NOTES ON THIS AND INCLUDED MITEK REFERENCE PAGE MII-7473 rev. 1/2/2023 BEFORE USE.</p> <p>Design valid for use only with MiTek® connectors. This design is based only upon parameters shown, and is for an individual building component, not a truss system. Before use, the building designer must verify the applicability of design parameters and properly incorporate this design into the overall building design. Bracing indicated is to prevent buckling of individual truss web and/or chord members only. Additional temporary and permanent bracing is always required for stability and to prevent collapse with possible personal injury and property damage. For general guidance regarding the fabrication, storage, delivery, erection and bracing of trusses and truss systems, see ANSI/TP1 Quality Criteria and DSB-22 available from Truss Plate Institute (www.tpinst.org) and BCSI Building Component Safety Information available from the Structural Building Component Association (www.sbcacomponents.com)</p>	<p>ENGINEERING BY</p> <p>A MiTek Affiliate</p> <p>818 Soundside Road Edenton, NC 27932</p>
--	--

Job J0923-5025	Truss PB1GE	Truss Type GABLE	Qty 2	Ply 1	Weaver/Lot 48 West Pointe/Harnett I60846466
-------------------	----------------	---------------------	----------	----------	--

Comtech, Inc. Fayetteville, NC - 28314,

8.430 s Jan 6 2022 MiTek Industries, Inc. Mon Sep 18 13:15:14 2023 Page 1
ID:Jh9ByfjRPPU?mMRDxzGWXKyZ53p-RfC?PsB70Hq3NSgPqnL8w3uITXbGKWrcDoi7J4zJC?f



Scale = 1:26.1

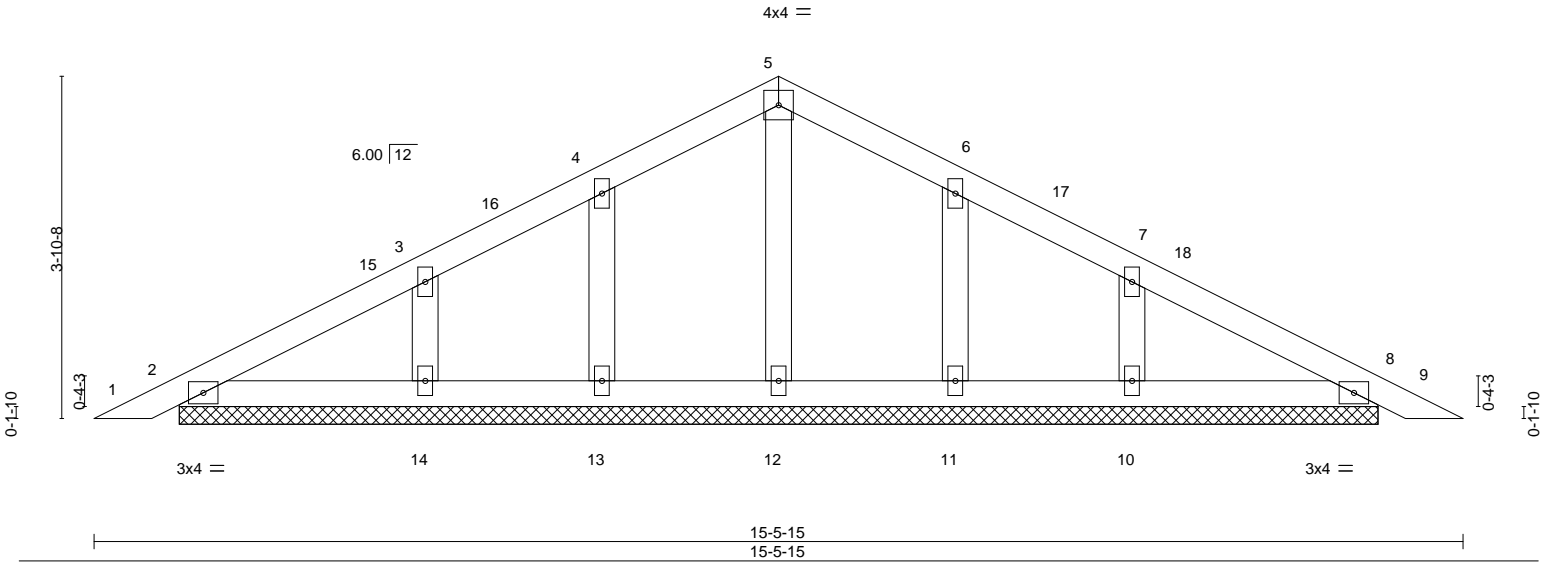


Plate Offsets (X, Y)--	[6:0-0-0,0-0-0], [7:0-0-0,0-0-0]
------------------------	----------------------------------

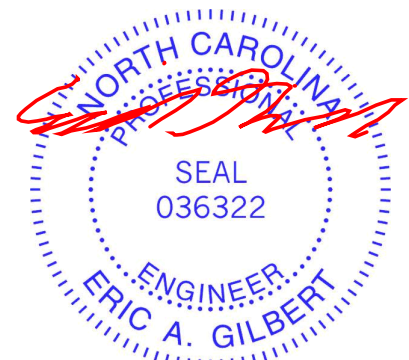
LOADING (psf)	SPACING-	CSI.	DEFL.	PLATES	GRIP
TCLL 20.0	2-0-0	TC 0.07	in (loc) l/defl L/d	MT20	244/190
TCDL 10.0	Plate Grip DOL 1.15	BC 0.04	Vert(LL) 0.00 8 n/r 120		
BCLL 0.0 *	Lumber DOL 1.15	WB 0.04	Vert(CT) 0.00 9 n/r 120		
BCDL 10.0	Rep Stress Incr YES	Matrix-S	Horz(CT) 0.00 8 n/a n/a		
	Code IRC2015/TPI2014			Weight: 61 lb	FT = 20%

LUMBER-	BRACING-
TOP CHORD 2x4 SP No.1	TOP CHORD Structural wood sheathing directly applied or 6-0-0 oc purlins.
BOT CHORD 2x4 SP No.1	BOT CHORD Rigid ceiling directly applied or 10-0-0 oc bracing.
OTHERS 2x4 SP No.2	

REACTIONS. All bearings 13-6-13.
 (lb) - Max Horz 2=75(LC 16)
 Max Uplift All uplift 100 lb or less at joint(s) 2, 8, 13, 14, 11, 10
 Max Grav All reactions 250 lb or less at joint(s) 2, 8, 12, 13, 14, 11, 10

FORCES. (lb) - Max. Comp./Max. Ten. - All forces 250 (lb) or less except when shown.

- NOTES-**
- Unbalanced roof live loads have been considered for this design.
 - Wind: ASCE 7-10; Vult=130mph Vasd=103mph; TCDL=6.0psf; BCDL=6.0psf; h=15ft; Cat. II; Exp C; Enclosed; MWFRS (envelope) gable end zone and C-C Corner(3) 0-3-15 to 4-8-11, Exterior(2) 4-8-11 to 7-9-0, Corner(3) 7-9-0 to 12-1-12, Exterior(2) 12-1-12 to 15-2-0 zone; C-C for members and forces & MWFRS for reactions shown; Lumber DOL=1.60 plate grip DOL=1.60
 - Truss designed for wind loads in the plane of the truss only. For studs exposed to wind (normal to the face), see Standard Industry Gable End Details as applicable, or consult qualified building designer as per ANSI/TPI 1.
 - All plates are 2x4 MT20 unless otherwise indicated.
 - Gable requires continuous bottom chord bearing.
 - Gable studs spaced at 2-0-0 oc.
 - This truss has been designed for a 10.0 psf bottom chord live load nonconcurrent with any other live loads.
 - * This truss has been designed for a live load of 20.0psf on the bottom chord in all areas where a rectangle 3-6-0 tall by 2-0-0 wide will fit between the bottom chord and any other members.
 - Provide mechanical connection (by others) of truss to bearing plate capable of withstanding 100 lb uplift at joint(s) 2, 8, 13, 14, 11, 10.
 - See Standard Industry Piggyback Truss Connection Detail for Connection to base truss as applicable, or consult qualified building designer.



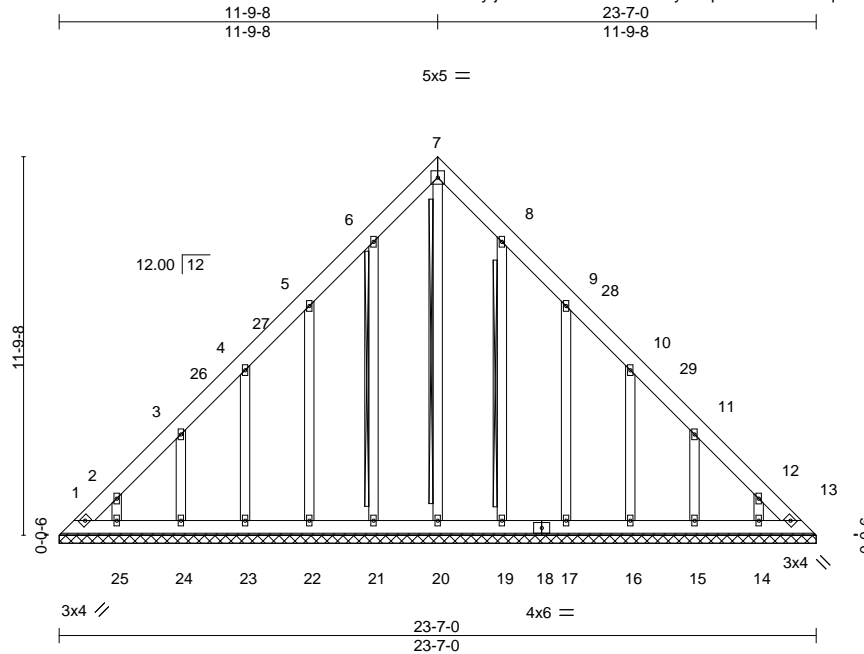
September 19, 2023

<p>WARNING - Verify design parameters and READ NOTES ON THIS AND INCLUDED MITEK REFERENCE PAGE MII-7473 rev. 1/2/2023 BEFORE USE.</p> <p>Design valid for use only with MiTek® connectors. This design is based only upon parameters shown, and is for an individual building component, not a truss system. Before use, the building designer must verify the applicability of design parameters and properly incorporate this design into the overall building design. Bracing indicated is to prevent buckling of individual truss web and/or chord members only. Additional temporary and permanent bracing is always required for stability and to prevent collapse with possible personal injury and property damage. For general guidance regarding the fabrication, storage, delivery, erection and bracing of trusses and truss systems, see ANSI/TPI1 Quality Criteria and DSB-22 available from Truss Plate Institute (www.tpinst.org) and BCSI Building Component Safety Information available from the Structural Building Component Association (www.sbcacomponents.com)</p>	<p>ENGINEERING BY</p> <p>TRENCO</p> <p>A MiTek Affiliate</p> <p>818 Soundside Road Edenton, NC 27932</p>
---	---

Job J0923-5025	Truss VA1	Truss Type GABLE	Qty 1	Ply 1	Weaver/Lot 48 West Pointe/Harnett 160846467
					Job Reference (optional)

Comtech, Inc. Fayetteville, NC - 28314,

8.430 s Jan 6 2022 MiTek Industries, Inc. Mon Sep 18 13:15:16 2023 Page 1
ID:Jh9ByfjRPPU?mMRDxzGWXKyZ53p-RfC?PsB70Hq3NSgPqnL8w3uITXbGKWrcDoi7J4zJC?f



Scale = 1:71.8

LOADING (psf)	SPACING-	2-0-0	CSI.	DEFL.	in (loc)	l/defl	L/d	PLATES	GRIP
TCLL 20.0	Plate Grip DOL	1.15	TC 0.04	Vert(LL)	n/a	-	n/a	MT20	244/190
TCDL 10.0	Lumber DOL	1.15	BC 0.03	Vert(CT)	n/a	-	n/a		
BCLL 0.0 *	Rep Stress Incr	YES	WB 0.17	Horz(CT)	0.01	13	n/a		
BCDL 10.0	Code IRC2015/TPI2014		Matrix-S						
								Weight: 217 lb	FT = 20%

LUMBER-

TOP CHORD 2x6 SP No.1
BOT CHORD 2x6 SP No.1
OTHERS 2x4 SP No.2

BRACING-

TOP CHORD Structural wood sheathing directly applied or 6-0-0 oc purlins.
BOT CHORD Rigid ceiling directly applied or 10-0-0 oc bracing.
WEBS T-Brace: 2x4 SPF No.2 - 7-20, 6-21, 8-19
Fasten (2X) T and I braces to narrow edge of web with 10d (0.131"x3") nails, 6in o.c., with 3in minimum end distance.
Brace must cover 90% of web length.

REACTIONS. All bearings 23-7-0.

(lb) - Max Horz 1=337(LC 9)
Max Uplift All uplift 100 lb or less at joint(s) 19 except 1=164(LC 10), 13=-114(LC 11), 21=-103(LC 12), 22=-154(LC 12), 23=-138(LC 12), 24=-140(LC 12), 25=-125(LC 12), 17=-157(LC 13), 16=-138(LC 13), 15=-140(LC 13), 14=-125(LC 13)
Max Grav All reactions 250 lb or less at joint(s) 20, 21, 22, 23, 24, 25, 19, 17, 16, 15, 14 except 1=335(LC 12), 13=301(LC 13)

FORCES. (lb) - Max. Comp./Max. Ten. - All forces 250 (lb) or less except when shown.

TOP CHORD 1-2=-483/291, 2-3=-378/237, 11-12=-330/208, 12-13=-436/291
BOT CHORD 1-25=-215/330, 24-25=-217/331, 23-24=-218/331, 22-23=-219/331, 21-22=-219/332, 20-21=-219/332, 19-20=-219/332, 17-19=-219/331, 16-17=-219/331, 15-16=-218/331, 14-15=-217/330, 13-14=-215/328

NOTES-

- 1) Unbalanced roof live loads have been considered for this design.
- 2) Wind: ASCE 7-10; Vult=130mph Vasd=103mph; TCDL=6.0psf; BCDL=6.0psf; h=15ft; Cat. II; Exp C; Enclosed; MWFRS (envelope) gable end zone and C-C Exterior(2) 0-6-10 to 4-11-7, Interior(1) 4-11-7 to 11-9-8, Exterior(2) 11-9-8 to 16-2-5, Interior(1) 16-2-5 to 23-0-6 zone; C-C for members and forces & MWFRS for reactions shown; Lumber DOL=1.60 plate grip DOL=1.60
- 3) All plates are 2x4 MT20 unless otherwise indicated.
- 4) Gable requires continuous bottom chord bearing.
- 5) This truss has been designed for a 10.0 psf bottom chord live load nonconcurrent with any other live loads.
- 6) * This truss has been designed for a live load of 20.0psf on the bottom chord in all areas where a rectangle 3-6-0 tall by 2-0-0 wide will fit between the bottom chord and any other members.
- 7) Provide mechanical connection (by others) of truss to bearing plate capable of withstanding 100 lb uplift at joint(s) 19 except (jt=lb) 1=164, 13=114, 21=103, 22=154, 23=138, 24=140, 25=125, 17=157, 16=138, 15=140, 14=125.
- 8) Warning: Additional permanent and stability bracing for truss system (not part of this component design) is always required.



September 19, 2023

WARNING - Verify design parameters and READ NOTES ON THIS AND INCLUDED MITEK REFERENCE PAGE MII-7473 rev. 1/2/2023 BEFORE USE.

Design valid for use only with MiTek® connectors. This design is based only upon parameters shown, and is for an individual building component, not a truss system. Before use, the building designer must verify the applicability of design parameters and properly incorporate this design into the overall building design. Bracing indicated is to prevent buckling of individual truss web and/or chord members only. Additional temporary and permanent bracing is always required for stability and to prevent collapse with possible personal injury and property damage. For general guidance regarding the fabrication, storage, delivery, erection and bracing of trusses and truss systems, see **ANSI/TPH Quality Criteria and DSB-22** available from Truss Plate Institute (www.tpinst.org) and **BCSI Building Component Safety Information** available from the Structural Building Component Association (www.sbcacomponents.com)

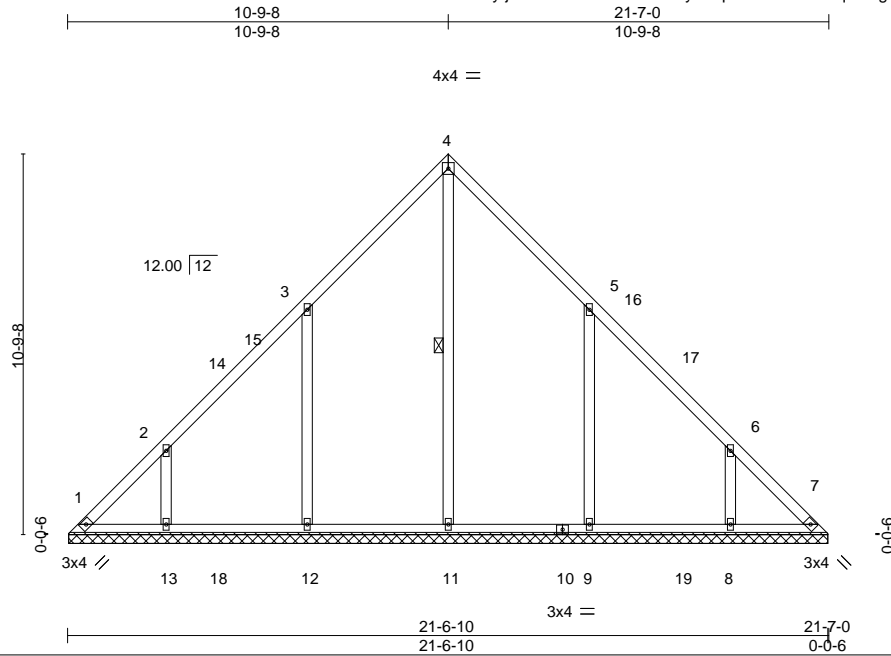


818 Soundside Road
Edenton, NC 27932

Job J0923-5025	Truss VA2	Truss Type VALLEY	Qty 1	Ply 1	Weaver/Lot 48 West Pointe/Harnnett 160846468
-------------------	--------------	----------------------	----------	----------	---

Comtech, Inc. Fayetteville, NC - 28314,

8.430 s Jan 6 2022 MiTek Industries, Inc. Mon Sep 18 13:15:19 2023 Page 1
ID:Jh9ByfjRPPU?mMRDxzGWXKyZ53p-RfC?PsB70Hq3NSgPqnL8w3uITXbGKWrcDoi7J4zJC?f



Scale = 1:65.3

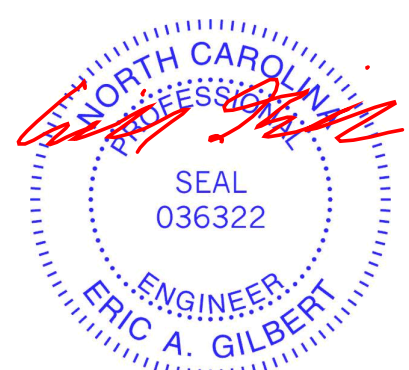
Plate Offsets (X, Y)--	[5:0-0-0,0-0-0], [6:0-0-0,0-0-0]				
LOADING (psf)	SPACING- 2-0-0	CSI.	DEFL. in (loc) l/defl L/d	PLATES	GRIP
TCLL 20.0	Plate Grip DOL 1.15	TC 0.16	Vert(LL) n/a - n/a 999	MT20	244/190
TCDL 10.0	Lumber DOL 1.15	BC 0.12	Vert(CT) n/a - n/a 999		
BCLL 0.0 *	Rep Stress Incr YES	WB 0.29	Horz(CT) 0.01 7 n/a n/a		
BCDL 10.0	Code IRC2015/TPI2014	Matrix-S		Weight: 116 lb	FT = 20%

LUMBER-	BRACING-
TOP CHORD 2x4 SP No.1	TOP CHORD Structural wood sheathing directly applied or 6-0-0 oc purlins.
BOT CHORD 2x4 SP No.1	BOT CHORD Rigid ceiling directly applied or 10-0-0 oc bracing.
OTHERS 2x4 SP No.2	WEBS 1 Row at midpt 4-11

REACTIONS. All bearings 21-6-4.
 (lb) - Max Horz 1=250(LC 8)
 Max Uplift All uplift 100 lb or less at joint(s) 1, 7 except 12=183(LC 12), 13=144(LC 12), 9=183(LC 13), 8=144(LC 13)
 Max Grav All reactions 250 lb or less at joint(s) 1, 7 except 11=362(LC 22), 12=518(LC 19), 13=347(LC 19), 9=518(LC 20), 8=347(LC 20)

FORCES. (lb) - Max. Comp./Max. Ten. - All forces 250 (lb) or less except when shown.
 TOP CHORD 1-2=273/217, 6-7=250/217
 WEBS 3-12=403/307, 2-13=326/262, 5-9=-403/307, 6-8=-326/262

- NOTES-**
- 1) Unbalanced roof live loads have been considered for this design.
 - 2) Wind: ASCE 7-10; Vult=130mph Vasd=103mph; TCDL=6.0psf; BCDL=6.0psf; h=15ft; Cat. II; Exp C; Enclosed; MWFRS (envelope) and C-C Exterior(2) 0-4-4 to 4-9-0, Interior(1) 4-9-0 to 10-9-8, Exterior(2) 10-9-8 to 15-2-5, Interior(1) 15-2-5 to 21-2-12 zone; C-C for members and forces & MWFRS for reactions shown; Lumber DOL=1.60 plate grip DOL=1.60
 - 3) All plates are 2x4 MT20 unless otherwise indicated.
 - 4) Gable requires continuous bottom chord bearing.
 - 5) This truss has been designed for a 10.0 psf bottom chord live load nonconcurrent with any other live loads.
 - 6) * This truss has been designed for a live load of 20.0psf on the bottom chord in all areas where a rectangle 3-6-0 tall by 2-0-0 wide will fit between the bottom chord and any other members, with BCDL = 10.0psf.
 - 7) Provide mechanical connection (by others) of truss to bearing plate capable of withstanding 100 lb uplift at joint(s) 1, 7 except (jt=lb) 12=183, 13=144, 9=183, 8=144.



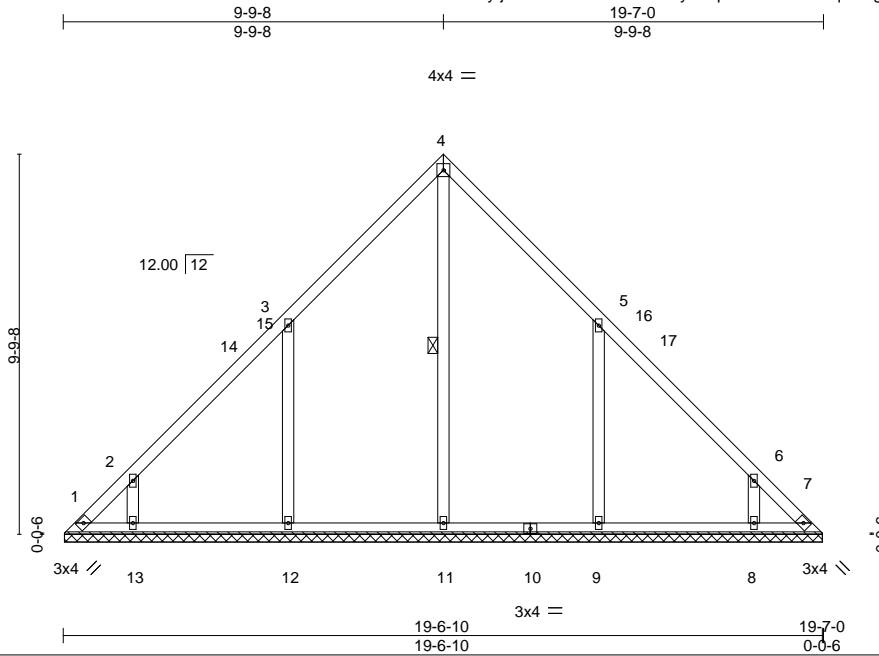
September 19, 2023

<p>WARNING - Verify design parameters and READ NOTES ON THIS AND INCLUDED MITEK REFERENCE PAGE MII-7473 rev. 1/2/2023 BEFORE USE.</p> <p>Design valid for use only with MiTek® connectors. This design is based only upon parameters shown, and is for an individual building component, not a truss system. Before use, the building designer must verify the applicability of design parameters and properly incorporate this design into the overall building design. Bracing indicated is to prevent buckling of individual truss web and/or chord members only. Additional temporary and permanent bracing is always required for stability and to prevent collapse with possible personal injury and property damage. For general guidance regarding the fabrication, storage, delivery, erection and bracing of trusses and truss systems, see ANSI/TPH Quality Criteria and DSB-22 available from Truss Plate Institute (www.tpinst.org) and BCSI Building Component Safety Information available from the Structural Building Component Association (www.sbcacomponents.com)</p>	<p>ENGINEERING BY</p> <p>TRENCO</p> <p>A MiTek Affiliate</p> <p>818 Soundside Road Edenton, NC 27932</p>
--	---

Job J0923-5025	Truss VA3	Truss Type VALLEY	Qty 1	Ply 1	Weaver/Lot 48 West Pointe/Harnnett Job Reference (optional)	I60846469
-------------------	--------------	----------------------	----------	----------	--	-----------

Comtech, Inc. Fayetteville, NC - 28314,

8.430 s Jan 6 2022 MiTek Industries, Inc. Mon Sep 18 13:15:20 2023 Page 1
ID:Jh9ByfjRPPU?mMRDxzGWXKyZ53p-RfC?PsB70Hq3NSgPqnL8w3uITXbGKWrcDoi7J4zJC?f



Scale = 1:59.3

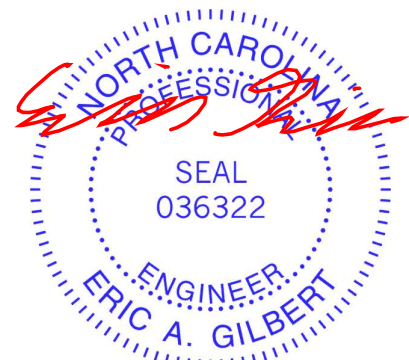
Plate Offsets (X, Y)--	[5:0-0-0,0-0-0], [6:0-0-0,0-0-0]				
LOADING (psf)	SPACING- 2-0-0	CSI.	DEFL. in (loc) l/defl L/d	PLATES	GRIP
TCLL 20.0	Plate Grip DOL 1.15	TC 0.16	Vert(LL) n/a - n/a 999	MT20	244/190
TCDL 10.0	Lumber DOL 1.15	BC 0.14	Vert(CT) n/a - n/a 999		
BCLL 0.0 *	Rep Stress Incr YES	WB 0.20	Horz(CT) 0.00 7 n/a n/a		
BCDL 10.0	Code IRC2015/TPI2014	Matrix-S		Weight: 102 lb	FT = 20%

LUMBER-	BRACING-
TOP CHORD 2x4 SP No.1	TOP CHORD Structural wood sheathing directly applied or 6-0-0 oc purlins.
BOT CHORD 2x4 SP No.1	BOT CHORD Rigid ceiling directly applied or 10-0-0 oc bracing.
OTHERS 2x4 SP No.2	WEBS 1 Row at midpt 4-11

REACTIONS. All bearings 19-6-4.
 (lb) - Max Horz 1=-226(LC 8)
 Max Uplift All uplift 100 lb or less at joint(s) 7 except 1=-125(LC 10), 12=-185(LC 12), 13=-132(LC 12), 9=-185(LC 13), 8=-132(LC 13)
 Max Grav All reactions 250 lb or less at joint(s) 1, 7 except 11=368(LC 22), 12=461(LC 19), 13=286(LC 19), 9=460(LC 20), 8=286(LC 20)

FORCES. (lb) - Max. Comp./Max. Ten. - All forces 250 (lb) or less except when shown.
 TOP CHORD 1-2=-267/225, 6-7=-259/225
 WEBS 3-12=-406/309, 2-13=-307/258, 5-9=-406/309, 6-8=-307/259

- NOTES-**
- 1) Unbalanced roof live loads have been considered for this design.
 - 2) Wind: ASCE 7-10; Vult=130mph Vasd=103mph; TCDL=6.0psf; BCDL=6.0psf; h=15ft; Cat. II; Exp C; Enclosed; MWFRS (envelope) and C-C Exterior(2) 0-4-4 to 4-9-0, Interior(1) 4-9-0 to 9-9-8, Exterior(2) 9-9-8 to 14-2-5, Interior(1) 14-2-5 to 19-2-12 zone; C-C for members and forces & MWFRS for reactions shown; Lumber DOL=1.60 plate grip DOL=1.60
 - 3) All plates are 2x4 MT20 unless otherwise indicated.
 - 4) Gable requires continuous bottom chord bearing.
 - 5) This truss has been designed for a 10.0 psf bottom chord live load nonconcurrent with any other live loads.
 - 6) * This truss has been designed for a live load of 20.0psf on the bottom chord in all areas where a rectangle 3-6-0 tall by 2-0-0 wide will fit between the bottom chord and any other members, with BCDL = 10.0psf.
 - 7) Provide mechanical connection (by others) of truss to bearing plate capable of withstanding 100 lb uplift at joint(s) 7 except (jt=lb) 1=125, 12=185, 13=132, 9=185, 8=132.

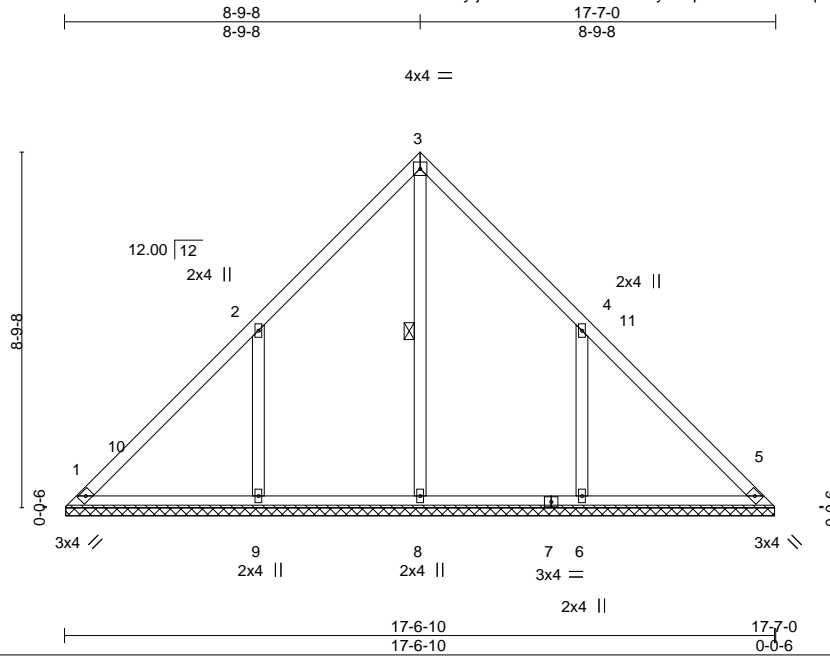


September 19, 2023

Job J0923-5025	Truss VA4	Truss Type VALLEY	Qty 1	Ply 1	Weaver/Lot 48 West Pointe/Harnnett 160846470
-------------------	--------------	----------------------	----------	----------	---

Comtech, Inc. Fayetteville, NC - 28314,

8.430 s Jan 6 2022 MiTek Industries, Inc. Mon Sep 18 13:15:21 2023 Page 1
ID:Jh9ByfjRPPU?mMRDxzGWXKyZ53p-RfC?PsB70Hq3NSgPqnL8w3uITXbGKWrcDoi7J4zJC?f



Scale = 1:57.0

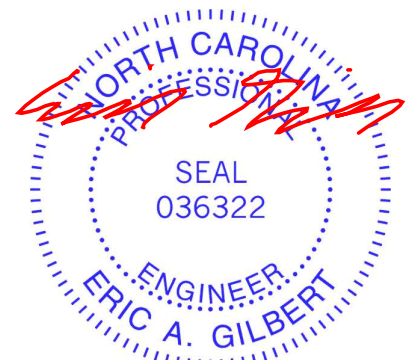
Plate Offsets (X,Y)--	[4:0-0-0,0-0-0]				
LOADING (psf)	SPACING- 2-0-0	CSI.	DEFL. in (loc) l/defl L/d	PLATES	GRIP
TCLL 20.0	Plate Grip DOL 1.15	TC 0.22	Vert(LL) n/a - n/a 999	MT20	244/190
TCDL 10.0	Lumber DOL 1.15	BC 0.13	Vert(CT) n/a - n/a 999		
BCLL 0.0 *	Rep Stress Incr YES	WB 0.15	Horz(CT) 0.00 5 n/a n/a		
BCDL 10.0	Code IRC2015/TPI2014	Matrix-S		Weight: 86 lb	FT = 20%

LUMBER-	BRACING-
TOP CHORD 2x4 SP No.1	TOP CHORD Structural wood sheathing directly applied or 6-0-0 oc purlins.
BOT CHORD 2x4 SP No.1	BOT CHORD Rigid ceiling directly applied or 10-0-0 oc bracing.
OTHERS 2x4 SP No.2	WEBS 1 Row at midpt 3-8


REACTIONS. All bearings 17-6-4.
 (lb) - Max Horz 1=-202(LC 8)
 Max Uplift All uplift 100 lb or less at joint(s) 1 except 9=-213(LC 12), 6=-213(LC 13)
 Max Grav All reactions 250 lb or less at joint(s) 1, 5 except 8=345(LC 22), 9=523(LC 19), 6=522(LC 20)

FORCES. (lb) - Max. Comp./Max. Ten. - All forces 250 (lb) or less except when shown.
 WEBS 2-9=-457/338, 4-6=-457/338

- NOTES-**
- 1) Unbalanced roof live loads have been considered for this design.
 - 2) Wind: ASCE 7-10; Vult=130mph Vasd=103mph; TCDL=6.0psf; BCDL=6.0psf; h=15ft; Cat. II; Exp C; Enclosed; MWFRS (envelope) and C-C Exterior(2) 0-4-4 to 4-9-8, Interior(1) 4-9-8 to 8-9-8, Exterior(2) 8-9-8 to 13-2-5, Interior(1) 13-2-5 to 17-2-12 zone; C-C for members and forces & MWFRS for reactions shown; Lumber DOL=1.60 plate grip DOL=1.60
 - 3) Gable requires continuous bottom chord bearing.
 - 4) This truss has been designed for a 10.0 psf bottom chord live load nonconcurrent with any other live loads.
 - 5) * This truss has been designed for a live load of 20.0psf on the bottom chord in all areas where a rectangle 3-6-0 tall by 2-0-0 wide will fit between the bottom chord and any other members, with BCDL = 10.0psf.
 - 6) Provide mechanical connection (by others) of truss to bearing plate capable of withstanding 100 lb uplift at joint(s) 1 except (jt=lb) 9=213, 6=213.



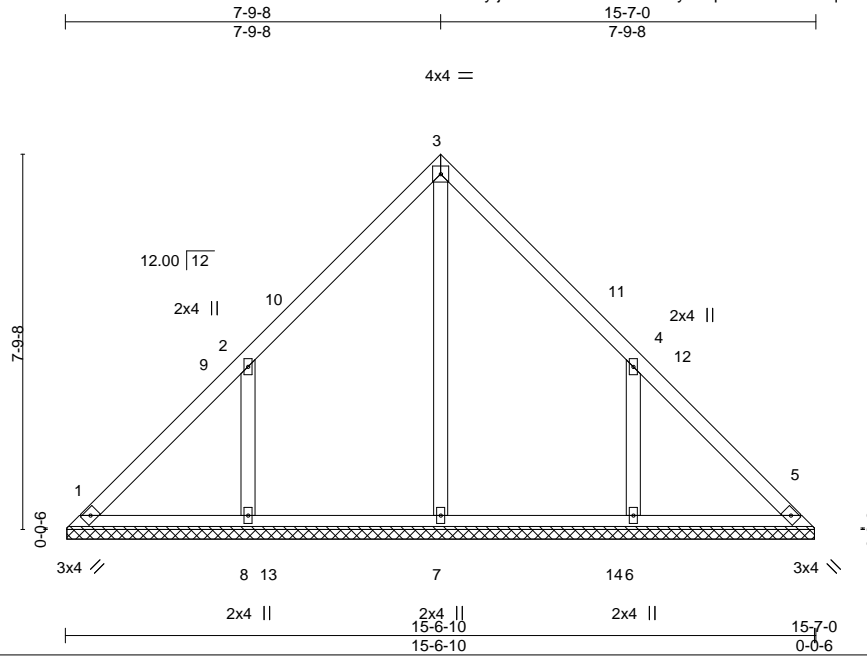
September 19, 2023

<p>WARNING - Verify design parameters and READ NOTES ON THIS AND INCLUDED MITEK REFERENCE PAGE MII-7473 rev. 1/2/2023 BEFORE USE.</p> <p>Design valid for use only with MiTek® connectors. This design is based only upon parameters shown, and is for an individual building component, not a truss system. Before use, the building designer must verify the applicability of design parameters and properly incorporate this design into the overall building design. Bracing indicated is to prevent buckling of individual truss web and/or chord members only. Additional temporary and permanent bracing is always required for stability and to prevent collapse with possible personal injury and property damage. For general guidance regarding the fabrication, storage, delivery, erection and bracing of trusses and truss systems, see ANSI/TPH Quality Criteria and DSB-22 available from Truss Plate Institute (www.tpinst.org) and BCSI Building Component Safety Information available from the Structural Building Component Association (www.sbcacomponents.com)</p>	<p>ENGINEERING BY</p>  <p>A MiTek Affiliate</p> <p>818 Soundside Road Edenton, NC 27932</p>
--	--

Job J0923-5025	Truss VA5	Truss Type VALLEY	Qty 1	Ply 1	Weaver/Lot 48 West Pointe/Harnnett 160846471
-------------------	--------------	----------------------	----------	----------	---

Comtech, Inc. Fayetteville, NC - 28314,

8.430 s Jan 6 2022 MiTek Industries, Inc. Mon Sep 18 13:15:22 2023 Page 1
ID:Jh9ByfjRPPU?mMRDxzGWXKyZ53p-RfC?PsB70Hq3NSgPqnL8w3uITXbGKWrcDoi7J4zJC?f



Scale: 1/4"=1'

Plate Offsets (X,Y)--	[4:0-0-0,0-0-0]				
LOADING (psf)	SPACING- 2-0-0	CSI.	DEFL. in (loc) l/defl L/d	PLATES	GRIP
TCLL 20.0	Plate Grip DOL 1.15	TC 0.16	Vert(LL) n/a - n/a 999	MT20	244/190
TCDL 10.0	Lumber DOL 1.15	BC 0.14	Vert(CT) n/a - n/a 999		
BCLL 0.0 *	Rep Stress Incr YES	WB 0.13	Horz(CT) 0.00 5 n/a n/a		
BCDL 10.0	Code IRC2015/TPI2014	Matrix-S		Weight: 75 lb	FT = 20%

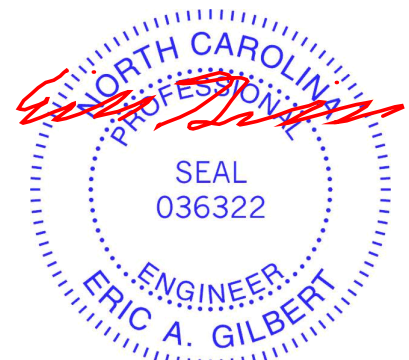
LUMBER-
TOP CHORD 2x4 SP No.1
BOT CHORD 2x4 SP No.1
OTHERS 2x4 SP No.2

BRACING-
TOP CHORD Structural wood sheathing directly applied or 6-0-0 oc purlins.
BOT CHORD Rigid ceiling directly applied or 10-0-0 oc bracing.

REACTIONS. All bearings 15-6-4.
(lb) - Max Horz 1=178(LC 10)
Max Uplift All uplift 100 lb or less at joint(s) 1 except 8=186(LC 12), 6=186(LC 13)
Max Grav All reactions 250 lb or less at joint(s) 1, 5 except 7=348(LC 22), 8=449(LC 19), 6=449(LC 20)

FORCES. (lb) - Max. Comp./Max. Ten. - All forces 250 (lb) or less except when shown.
WEBS 2-8=-403/309, 4-6=-403/309

- NOTES-**
- 1) Unbalanced roof live loads have been considered for this design.
 - 2) Wind: ASCE 7-10; Vult=130mph Vasd=103mph; TC DL=6.0psf; BC DL=6.0psf; h=15ft; Cat. II; Exp C; Enclosed; MWFRS (envelope) and C-C Exterior(2) 0-4-4 to 4-9-0, Interior(1) 4-9-0 to 7-9-8, Exterior(2) 7-9-8 to 12-2-5, Interior(1) 12-2-5 to 15-2-12 zone; C-C for members and forces & MWFRS for reactions shown; Lumber DOL=1.60 plate grip DOL=1.60
 - 3) Gable requires continuous bottom chord bearing.
 - 4) This truss has been designed for a 10.0 psf bottom chord live load nonconcurrent with any other live loads.
 - 5) * This truss has been designed for a live load of 20.0psf on the bottom chord in all areas where a rectangle 3-6-0 tall by 2-0-0 wide will fit between the bottom chord and any other members, with BCDL = 10.0psf.
 - 6) Provide mechanical connection (by others) of truss to bearing plate capable of withstanding 100 lb uplift at joint(s) 1 except (jt=lb) 8=186, 6=186.



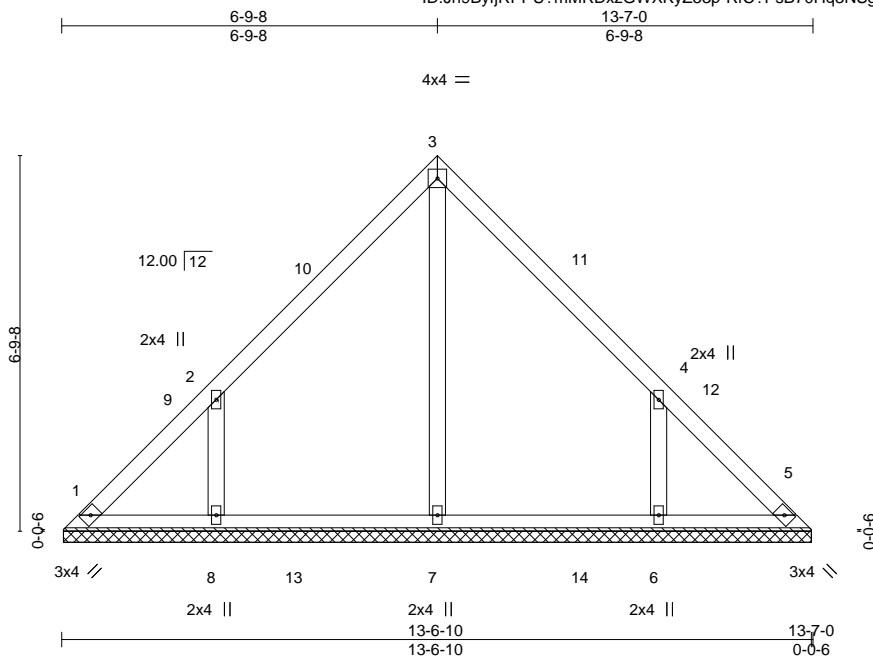
September 19, 2023

Job J0923-5025	Truss VA6	Truss Type VALLEY	Qty 1	Ply 1	Weaver/Lot 48 West Pointe/Harnett Job Reference (optional)	I60846472
-------------------	--------------	----------------------	----------	----------	---	-----------

Comtech, Inc. Fayetteville, NC - 28314,

8.430 s Jan 6 2022 MiTek Industries, Inc. Mon Sep 18 13:15:24 2023 Page 1

ID:Jh9ByfjRPPU?mMRDxzGWXKyZ53p-RfC?PsB70Hq3NSgPqnL8w3uITXbGKWrcDoi7J4zJC?f



Scale = 1:41.7

Plate Offsets (X,Y)--	[4:0-0-0,0-0-0]				
LOADING (psf)	SPACING- 2-0-0	CSI.	DEFL. in (loc) l/defl L/d	PLATES	GRIP
TCLL 20.0	Plate Grip DOL 1.15	TC 0.14	Vert(LL) n/a - n/a 999	MT20	244/190
TCDL 10.0	Lumber DOL 1.15	BC 0.12	Vert(CT) n/a - n/a 999		
BCLL 0.0 *	Rep Stress Incr YES	WB 0.10	Horz(CT) 0.00 5 n/a n/a		
BCDL 10.0	Code IRC2015/TPI2014	Matrix-S		Weight: 63 lb	FT = 20%

LUMBER-
TOP CHORD 2x4 SP No.1
BOT CHORD 2x4 SP No.1
OTHERS 2x4 SP No.2

BRACING-
TOP CHORD Structural wood sheathing directly applied or 6-0-0 oc purlins.
BOT CHORD Rigid ceiling directly applied or 10-0-0 oc bracing.

REACTIONS. All bearings 13-6-4.
(lb) - Max Horz 1=-154(LC 8)
Max Uplift All uplift 100 lb or less at joint(s) 1, 5 except 8=-166(LC 12), 6=-166(LC 13)
Max Grav All reactions 250 lb or less at joint(s) 1, 5 except 7=335(LC 19), 8=379(LC 19), 6=379(LC 20)

FORCES. (lb) - Max. Comp./Max. Ten. - All forces 250 (lb) or less except when shown.
WEBS 2-8=-364/291, 4-6=-364/292

- NOTES-**
- 1) Unbalanced roof live loads have been considered for this design.
 - 2) Wind: ASCE 7-10; Vult=130mph Vasd=103mph; TCDL=6.0psf; BCDL=6.0psf; h=15ft; Cat. II; Exp C; Enclosed; MWFRS (envelope) and C-C Exterior(2) 0-4-4 to 4-9-0, Interior(1) 4-9-0 to 6-9-8, Exterior(2) 6-9-8 to 11-2-5, Interior(1) 11-2-5 to 13-2-12 zone; C-C for members and forces & MWFRS for reactions shown; Lumber DOL=1.60 plate grip DOL=1.60
 - 3) Gable requires continuous bottom chord bearing.
 - 4) This truss has been designed for a 10.0 psf bottom chord live load nonconcurrent with any other live loads.
 - 5) * This truss has been designed for a live load of 20.0psf on the bottom chord in all areas where a rectangle 3-6-0 tall by 2-0-0 wide will fit between the bottom chord and any other members, with BCDL = 10.0psf.
 - 6) Provide mechanical connection (by others) of truss to bearing plate capable of withstanding 100 lb uplift at joint(s) 1, 5 except (jt=lb) 8=166, 6=166.



September 19, 2023

WARNING - Verify design parameters and READ NOTES ON THIS AND INCLUDED MITEK REFERENCE PAGE MII-7473 rev. 1/2/2023 BEFORE USE.
Design valid for use only with MiTek® connectors. This design is based only upon parameters shown, and is for an individual building component, not a truss system. Before use, the building designer must verify the applicability of design parameters and properly incorporate this design into the overall building design. Bracing indicated is to prevent buckling of individual truss web and/or chord members only. Additional temporary and permanent bracing is always required for stability and to prevent collapse with possible personal injury and property damage. For general guidance regarding the fabrication, storage, delivery, erection and bracing of trusses and truss systems, see **ANSI/TPH Quality Criteria and DSB-22** available from Truss Plate Institute (www.tpinst.org) and **BCSI Building Component Safety Information** available from the Structural Building Component Association (www.sbcacomponents.com)



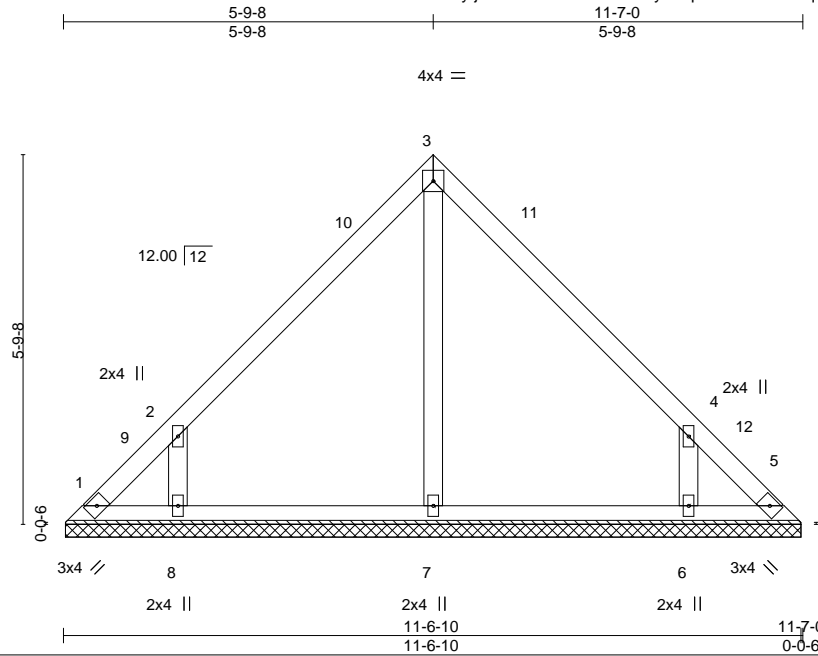
818 Soundside Road
Edenton, NC 27932

Job J0923-5025	Truss VA7	Truss Type VALLEY	Qty 1	Ply 1	Weaver/Lot 48 West Pointe/Harnett Job Reference (optional)	I60846473
-------------------	--------------	----------------------	----------	----------	---	-----------

Comtech, Inc. Fayetteville, NC - 28314,

8.430 s Jan 6 2022 MiTek Industries, Inc. Mon Sep 18 13:15:25 2023 Page 1

ID:Jh9ByfjRPPU?mMRDxzGWXKyZ53p-RfC?PsB70Hq3NSgPqnL8w3uITXbGKWrcDoi7J4zJC?f



Scale = 1:36.1

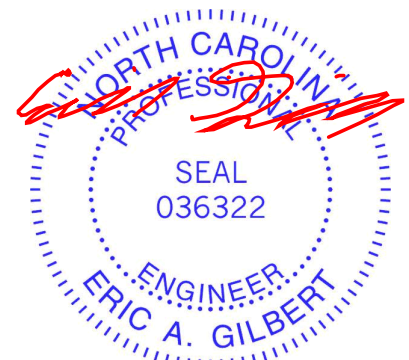
Plate Offsets (X,Y)--	[4:0-0-0,0-0-0]				
LOADING (psf)	SPACING- 2-0-0	CSI.	DEFL. in (loc) l/defl L/d	PLATES	GRIP
TCLL 20.0	Plate Grip DOL 1.15	TC 0.14	Vert(LL) n/a - n/a 999	MT20	244/190
TCDL 10.0	Lumber DOL 1.15	BC 0.09	Vert(CT) n/a - n/a 999		
BCLL 0.0 *	Rep Stress Incr YES	WB 0.07	Horz(CT) 0.00 5 n/a n/a		
BCDL 10.0	Code IRC2015/TPI2014	Matrix-S		Weight: 51 lb	FT = 20%

LUMBER-	BRACING-
TOP CHORD 2x4 SP No.1	TOP CHORD Structural wood sheathing directly applied or 6-0-0 oc purlins.
BOT CHORD 2x4 SP No.1	BOT CHORD Rigid ceiling directly applied or 10-0-0 oc bracing.
OTHERS 2x4 SP No.2	

REACTIONS. All bearings 11-6-4.
 (lb) - Max Horz 1=130(LC 8)
 Max Uplift All uplift 100 lb or less at joint(s) 1, 5 except 8=162(LC 12), 6=161(LC 13)
 Max Grav All reactions 250 lb or less at joint(s) 1, 5, 7 except 8=339(LC 19), 6=339(LC 20)

FORCES. (lb) - Max. Comp./Max. Ten. - All forces 250 (lb) or less except when shown.
 WEBS 2-8=-361/303, 4-6=-361/303

- NOTES-**
- 1) Unbalanced roof live loads have been considered for this design.
 - 2) Wind: ASCE 7-10; Vult=130mph Vasd=103mph; TC DL=6.0psf; BC DL=6.0psf; h=15ft; Cat. II; Exp C; Enclosed; MWFRS (envelope) and C-C Exterior(2) 0-4-4 to 4-9-0, Interior(1) 4-9-0 to 5-9-8, Exterior(2) 5-9-8 to 10-2-5, Interior(1) 10-2-5 to 11-2-12 zone; C-C for members and forces & MWFRS for reactions shown; Lumber DOL=1.60 plate grip DOL=1.60
 - 3) Gable requires continuous bottom chord bearing.
 - 4) This truss has been designed for a 10.0 psf bottom chord live load nonconcurrent with any other live loads.
 - 5) * This truss has been designed for a live load of 20.0psf on the bottom chord in all areas where a rectangle 3-6-0 tall by 2-0-0 wide will fit between the bottom chord and any other members.
 - 6) Provide mechanical connection (by others) of truss to bearing plate capable of withstanding 100 lb uplift at joint(s) 1, 5 except (jt=lb) 8=162, 6=161.

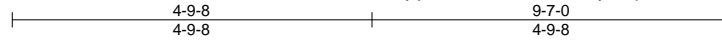


September 19, 2023

Job J0923-5025	Truss VA8	Truss Type VALLEY	Qty 1	Ply 1	Weaver/Lot 48 West Pointe/Harnett 160846474
-------------------	--------------	----------------------	----------	----------	--

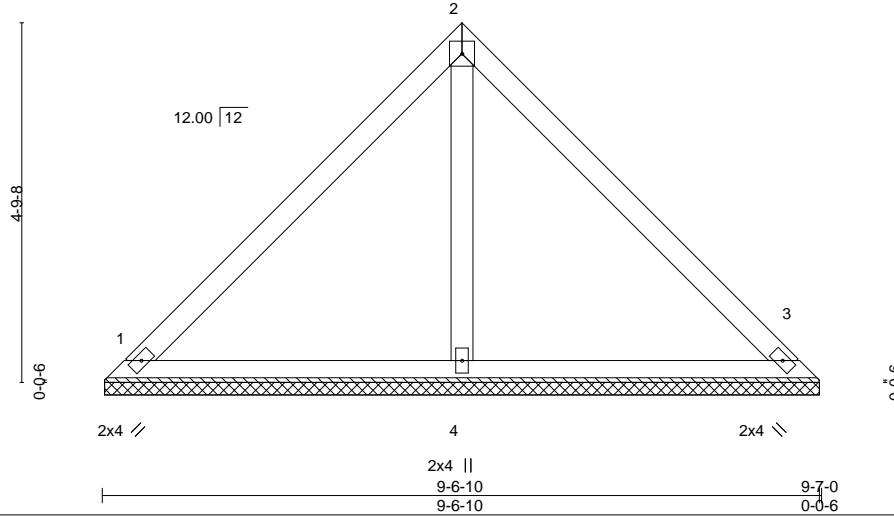
Comtech, Inc. Fayetteville, NC - 28314,

8.430 s Jan 6 2022 MiTek Industries, Inc. Mon Sep 18 13:15:26 2023 Page 1
ID:Jh9ByfjRPPU?mMRDxzGWXKyZ53p-RfC?PsB70Hq3NSgPqnL8w3uITXbGKWwCDoi7J4zJC?f



4x4 =

Scale = 1:30.7



LOADING (psf)	SPACING-	2-0-0	CSI.	DEFL.	in (loc)	l/defl	L/d	PLATES	GRIP	
TCLL 20.0	Plate Grip DOL	1.15	TC 0.22	Vert(LL)	n/a	-	n/a	999	MT20	244/190
TCDL 10.0	Lumber DOL	1.15	BC 0.15	Vert(CT)	n/a	-	n/a	999		
BCLL 0.0 *	Rep Stress Incr	YES	WB 0.06	Horz(CT)	0.00	3	n/a	n/a		
BCDL 10.0	Code IRC2015/TPI2014		Matrix-S						Weight: 39 lb	FT = 20%

LUMBER-
 TOP CHORD 2x4 SP No.1
 BOT CHORD 2x4 SP No.1
 OTHERS 2x4 SP No.2

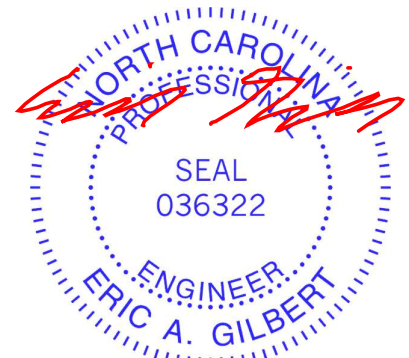
BRACING-
 TOP CHORD Structural wood sheathing directly applied or 6-0-0 oc purlins.
 BOT CHORD Rigid ceiling directly applied or 10-0-0 oc bracing.

REACTIONS. (size) 1=9-6-4, 3=9-6-4, 4=9-6-4
 Max Horz 1=-106(LC 8)
 Max Uplift 1=-26(LC 13), 3=-26(LC 13)
 Max Grav 1=201(LC 1), 3=201(LC 1), 4=308(LC 1)

FORCES. (lb) - Max. Comp./Max. Ten. - All forces 250 (lb) or less except when shown.

NOTES-

- 1) Unbalanced roof live loads have been considered for this design.
- 2) Wind: ASCE 7-10; Vult=130mph Vasd=103mph; TCDL=6.0psf; BCDL=6.0psf; h=15ft; Cat. II; Exp C; Enclosed; MWFRS (envelope) and C-C Exterior(2) zone; C-C for members and forces & MWFRS for reactions shown; Lumber DOL=1.60 plate grip DOL=1.60
- 3) Gable requires continuous bottom chord bearing.
- 4) This truss has been designed for a 10.0 psf bottom chord live load nonconcurrent with any other live loads.
- 5) * This truss has been designed for a live load of 20.0psf on the bottom chord in all areas where a rectangle 3-6-0 tall by 2-0-0 wide will fit between the bottom chord and any other members.
- 6) Provide mechanical connection (by others) of truss to bearing plate capable of withstanding 100 lb uplift at joint(s) 1, 3.



September 19, 2023

WARNING - Verify design parameters and READ NOTES ON THIS AND INCLUDED MITEK REFERENCE PAGE MII-7473 rev. 1/2/2023 BEFORE USE.

Design valid for use only with MiTek® connectors. This design is based only upon parameters shown, and is for an individual building component, not a truss system. Before use, the building designer must verify the applicability of design parameters and properly incorporate this design into the overall building design. Bracing indicated is to prevent buckling of individual truss web and/or chord members only. Additional temporary and permanent bracing is always required for stability and to prevent collapse with possible personal injury and property damage. For general guidance regarding the fabrication, storage, delivery, erection and bracing of trusses and truss systems, see **ANSI/TPH Quality Criteria and DSB-22** available from Truss Plate Institute (www.tpinst.org) and **BCSI Building Component Safety Information** available from the Structural Building Component Association (www.sbcacomponents.com)

ENGINEERING BY
TRENCO
 A MiTek Affiliate

818 Soundside Road
 Edenton, NC 27932

Job J0923-5025	Truss VA9	Truss Type VALLEY	Qty 1	Ply 1	Weaver/Lot 48 West Pointe/Harnett I60846475
-------------------	--------------	----------------------	----------	----------	--

Comtech, Inc. Fayetteville, NC - 28314,

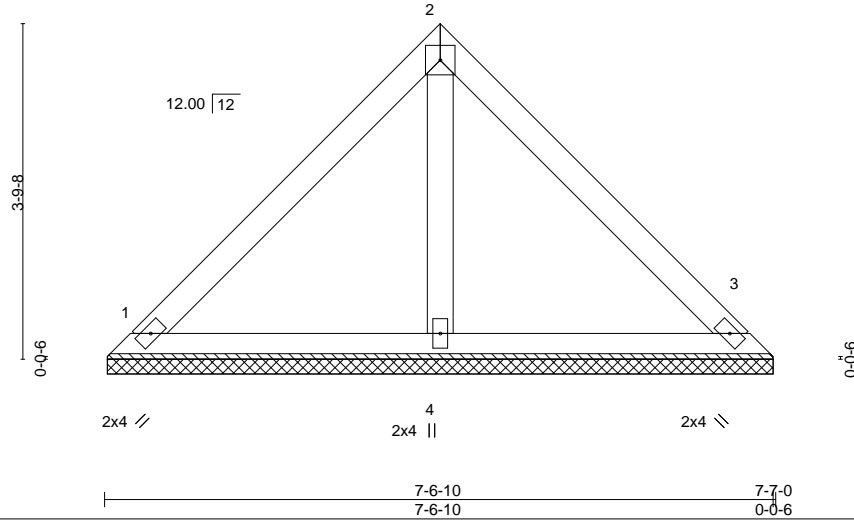
8.430 s Jan 6 2022 MiTek Industries, Inc. Mon Sep 18 13:15:26 2023 Page 1

ID:Jh9ByfjRPPU?mMRDxzGWXKyZ53p-RfC?PsB70Hq3NSgPqnL8w3uITXbGKWrcDoi7J4zJC?f



4x4 =

Scale = 1:26.0



LOADING (psf)	SPACING-	2-0-0	CSI.	DEFL.	in (loc)	l/defl	L/d	PLATES	GRIP
TCLL 20.0	Plate Grip DOL	1.15	TC 0.20	Vert(LL)	n/a	-	n/a	MT20	244/190
TCDL 10.0	Lumber DOL	1.15	BC 0.09	Vert(CT)	n/a	-	n/a		
BCLL 0.0 *	Rep Stress Incr	YES	WB 0.03	Horz(CT)	0.00	3	n/a		
BCDL 10.0	Code IRC2015/TPI2014		Matrix-P					Weight: 30 lb	FT = 20%

LUMBER-
 TOP CHORD 2x4 SP No.1
 BOT CHORD 2x4 SP No.1
 OTHERS 2x4 SP No.2

BRACING-
 TOP CHORD Structural wood sheathing directly applied or 6-0-0 oc purlins.
 BOT CHORD Rigid ceiling directly applied or 10-0-0 oc bracing.

REACTIONS. (size) 1=7-6-4, 3=7-6-4, 4=7-6-4
 Max Horz 1=82(LC 9)
 Max Uplift 1=30(LC 13), 3=30(LC 13)
 Max Grav 1=168(LC 1), 3=168(LC 1), 4=215(LC 1)

FORCES. (lb) - Max. Comp./Max. Ten. - All forces 250 (lb) or less except when shown.

NOTES-

- 1) Unbalanced roof live loads have been considered for this design.
- 2) Wind: ASCE 7-10; Vult=130mph Vasd=103mph; TC DL=6.0psf; BCDL=6.0psf; h=15ft; Cat. II; Exp C; Enclosed; MWFRS (envelope) and C-C Exterior(2) zone; C-C for members and forces & MWFRS for reactions shown; Lumber DOL=1.60 plate grip DOL=1.60
- 3) Gable requires continuous bottom chord bearing.
- 4) This truss has been designed for a 10.0 psf bottom chord live load nonconcurrent with any other live loads.
- 5) * This truss has been designed for a live load of 20.0psf on the bottom chord in all areas where a rectangle 3-6-0 tall by 2-0-0 wide will fit between the bottom chord and any other members.
- 6) Provide mechanical connection (by others) of truss to bearing plate capable of withstanding 100 lb uplift at joint(s) 1, 3.



September 19, 2023

WARNING - Verify design parameters and READ NOTES ON THIS AND INCLUDED MITEK REFERENCE PAGE MII-7473 rev. 1/2/2023 BEFORE USE.

Design valid for use only with MiTek® connectors. This design is based only upon parameters shown, and is for an individual building component, not a truss system. Before use, the building designer must verify the applicability of design parameters and properly incorporate this design into the overall building design. Bracing indicated is to prevent buckling of individual truss web and/or chord members only. Additional temporary and permanent bracing is always required for stability and to prevent collapse with possible personal injury and property damage. For general guidance regarding the fabrication, storage, delivery, erection and bracing of trusses and truss systems, see **ANSI/TPH Quality Criteria and DSB-22** available from Truss Plate Institute (www.tpinst.org) and **BCSI Building Component Safety Information** available from the Structural Building Component Association (www.sbcacomponents.com)

ENGINEERING BY
TRENCO
 A MiTek Affiliate

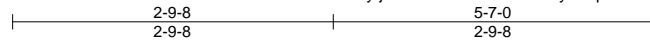
818 Soundside Road
 Edenton, NC 27932

Job J0923-5025	Truss VA10	Truss Type VALLEY	Qty 1	Ply 1	Weaver/Lot 48 West Pointe/Harnett Job Reference (optional)	I60846476
-------------------	---------------	----------------------	----------	----------	---	-----------

Comtech, Inc. Fayetteville, NC - 28314,

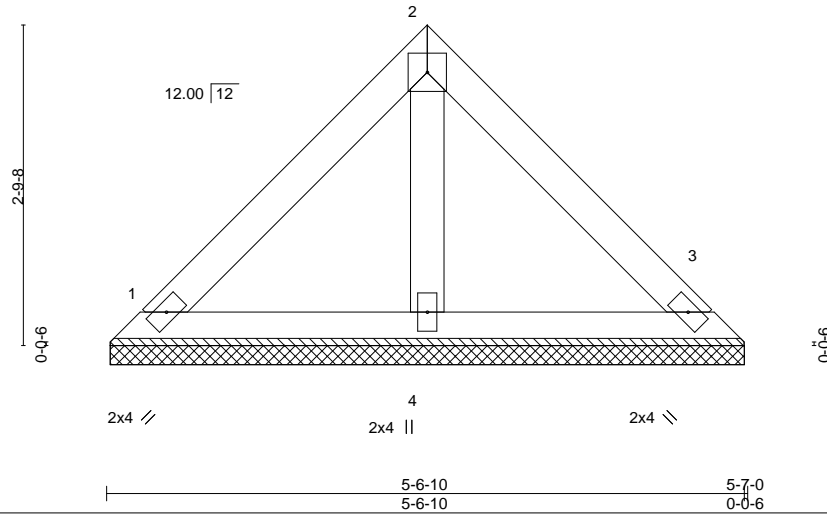
8.430 s Jan 6 2022 MiTek Industries, Inc. Mon Sep 18 13:15:17 2023 Page 1

ID:Jh9ByfjRPPU?mMRDxzGWXKyZ53p-RfC?PsB70Hq3NSgPqnL8w3uITXbGKWrcDoi7J4zJC?f



4x4 =

Scale = 1:20.1



LOADING (psf)	SPACING-	2-0-0	CSI.	DEFL.	in (loc)	l/defl	L/d	PLATES	GRIP	
TCLL 20.0	Plate Grip DOL	1.15	TC 0.10	Vert(LL)	n/a	-	n/a	999	MT20	244/190
TCDL 10.0	Lumber DOL	1.15	BC 0.04	Vert(CT)	n/a	-	n/a	999		
BCLL 0.0 *	Rep Stress Incr	YES	WB 0.01	Horz(CT)	0.00	3	n/a	n/a		
BCDL 10.0	Code IRC2015/TPI2014		Matrix-P						Weight: 22 lb	FT = 20%

LUMBER-
 TOP CHORD 2x4 SP No.1
 BOT CHORD 2x4 SP No.1
 OTHERS 2x4 SP No.2

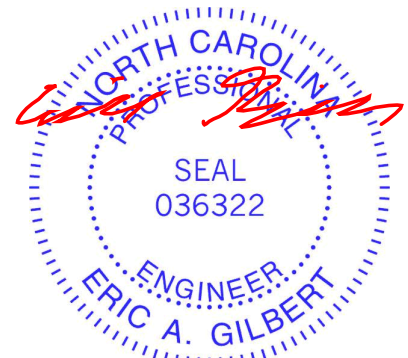
BRACING-
 TOP CHORD Structural wood sheathing directly applied or 5-7-0 oc purlins.
 BOT CHORD Rigid ceiling directly applied or 10-0-0 oc bracing.

REACTIONS. (size) 1=5-6-4, 3=5-6-4, 4=5-6-4
 Max Horz 1=-58(LC 8)
 Max Uplift 1=-21(LC 13), 3=-21(LC 13)
 Max Grav 1=119(LC 1), 3=119(LC 1), 4=153(LC 1)

FORCES. (lb) - Max. Comp./Max. Ten. - All forces 250 (lb) or less except when shown.

NOTES-

- 1) Unbalanced roof live loads have been considered for this design.
- 2) Wind: ASCE 7-10; Vult=130mph Vasd=103mph; TC DL=6.0psf; BCDL=6.0psf; h=15ft; Cat. II; Exp C; Enclosed; MWFRS (envelope) and C-C Exterior(2) zone; C-C for members and forces & MWFRS for reactions shown; Lumber DOL=1.60 plate grip DOL=1.60
- 3) Gable requires continuous bottom chord bearing.
- 4) This truss has been designed for a 10.0 psf bottom chord live load nonconcurrent with any other live loads.
- 5) * This truss has been designed for a live load of 20.0psf on the bottom chord in all areas where a rectangle 3-6-0 tall by 2-0-0 wide will fit between the bottom chord and any other members.
- 6) Provide mechanical connection (by others) of truss to bearing plate capable of withstanding 100 lb uplift at joint(s) 1, 3.



September 19, 2023

WARNING - Verify design parameters and READ NOTES ON THIS AND INCLUDED MITEK REFERENCE PAGE MII-7473 rev. 1/2/2023 BEFORE USE.

Design valid for use only with MiTek® connectors. This design is based only upon parameters shown, and is for an individual building component, not a truss system. Before use, the building designer must verify the applicability of design parameters and properly incorporate this design into the overall building design. Bracing indicated is to prevent buckling of individual truss web and/or chord members only. Additional temporary and permanent bracing is always required for stability and to prevent collapse with possible personal injury and property damage. For general guidance regarding the fabrication, storage, delivery, erection and bracing of trusses and truss systems, see **ANSI/TPH Quality Criteria and DSB-22** available from Truss Plate Institute (www.tpinst.org) and **BCSI Building Component Safety Information** available from the Structural Building Component Association (www.sbcacomponents.com)

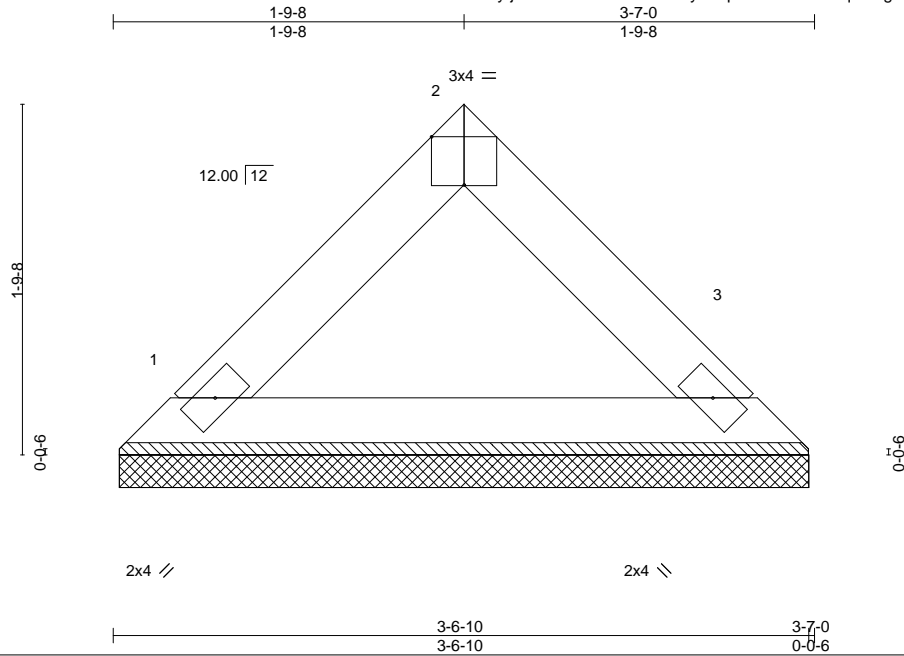


818 Soundside Road
 Edenton, NC 27932

Job J0923-5025	Truss VA11	Truss Type VALLEY	Qty 1	Ply 1	Weaver/Lot 48 West Pointe/Harnnett I60846477
-------------------	---------------	----------------------	----------	----------	---

Comtech, Inc. Fayetteville, NC - 28314,

8.430 s Jan 6 2022 MiTek Industries, Inc. Mon Sep 18 13:15:18 2023 Page 1
ID:Jh9ByfjRPPU?mMRDxzGWXKyZ53p-RfC?PsB70Hq3NSgPqnL8w3uITXbGKWrcDoi7J4zJC?f



Scale = 1:11.8

Plate Offsets (X,Y)-- [2:0-2-0,Edge]										
LOADING (psf)	SPACING-	2-0-0	CSI.	DEFL.	in (loc)	l/defl	L/d	PLATES	GRIP	
TCLL 20.0	Plate Grip DOL	1.15	TC 0.03	Vert(LL)	n/a	-	n/a	999	MT20	244/190
TCDL 10.0	Lumber DOL	1.15	BC 0.07	Vert(CT)	n/a	-	n/a	999		
BCLL 0.0 *	Rep Stress Incr	YES	WB 0.00	Horz(CT)	0.00	3	n/a	n/a		
BCDL 10.0	Code IRC2015/TPI2014		Matrix-P						Weight: 11 lb	FT = 20%

LUMBER-
TOP CHORD 2x4 SP No.1
BOT CHORD 2x4 SP No.1

BRACING-
TOP CHORD Structural wood sheathing directly applied or 3-7-0 oc purlins.
BOT CHORD Rigid ceiling directly applied or 10-0-0 oc bracing.

REACTIONS. (size) 1=3-6-4, 3=3-6-4
Max Horz 1=35(LC 11)
Max Uplift 1=4(LC 12), 3=4(LC 12)
Max Grav 1=115(LC 1), 3=115(LC 1)

FORCES. (lb) - Max. Comp./Max. Ten. - All forces 250 (lb) or less except when shown.

NOTES-

- 1) Unbalanced roof live loads have been considered for this design.
- 2) Wind: ASCE 7-10; Vult=130mph Vasd=103mph; TC DL=6.0psf; BCDL=6.0psf; h=15ft; Cat. II; Exp C; Enclosed; MWFRS (envelope) and C-C Exterior(2) zone; C-C for members and forces & MWFRS for reactions shown; Lumber DOL=1.60 plate grip DOL=1.60
- 3) Gable requires continuous bottom chord bearing.
- 4) This truss has been designed for a 10.0 psf bottom chord live load nonconcurrent with any other live loads.
- 5) * This truss has been designed for a live load of 20.0psf on the bottom chord in all areas where a rectangle 3-6-0 tall by 2-0-0 wide will fit between the bottom chord and any other members.
- 6) Provide mechanical connection (by others) of truss to bearing plate capable of withstanding 100 lb uplift at joint(s) 1, 3.



September 19, 2023

WARNING - Verify design parameters and READ NOTES ON THIS AND INCLUDED MITEK REFERENCE PAGE MII-7473 rev. 1/2/2023 BEFORE USE.

Design valid for use only with MiTek® connectors. This design is based only upon parameters shown, and is for an individual building component, not a truss system. Before use, the building designer must verify the applicability of design parameters and properly incorporate this design into the overall building design. Bracing indicated is to prevent buckling of individual truss web and/or chord members only. Additional temporary and permanent bracing is always required for stability and to prevent collapse with possible personal injury and property damage. For general guidance regarding the fabrication, storage, delivery, erection and bracing of trusses and truss systems, see **ANSI/TP1 Quality Criteria and DSB-22** available from Truss Plate Institute (www.tpinst.org) and **BCSI Building Component Safety Information** available from the Structural Building Component Association (www.sbcacomponents.com)

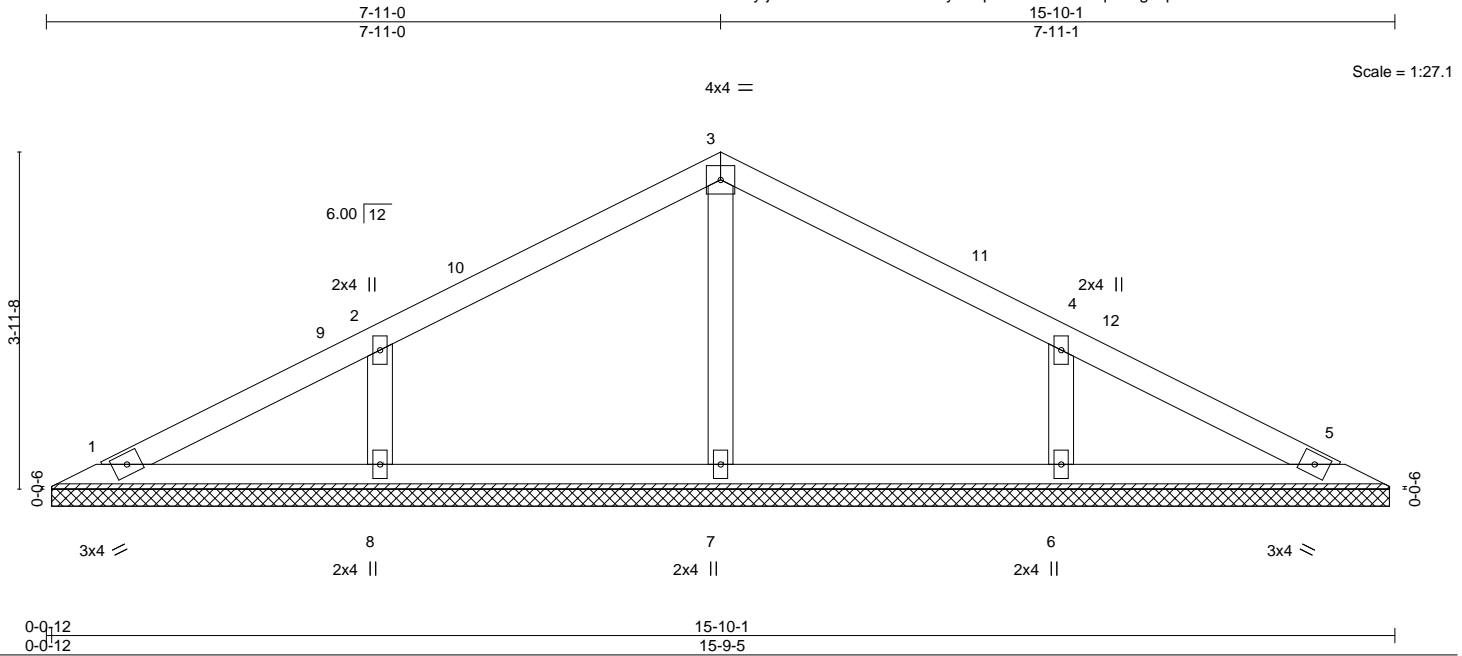


818 Soundside Road
Edenton, NC 27932

Job J0923-5025	Truss VP1	Truss Type VALLEY	Qty 1	Ply 1	Weaver/Lot 48 West Pointe/Harnett Job Reference (optional)	I60846478
-------------------	--------------	----------------------	----------	----------	---	-----------

Comtech, Inc. Fayetteville, NC - 28314,

8.430 s Jan 6 2022 MiTek Industries, Inc. Mon Sep 18 13:15:27 2023 Page 1
ID:Jh9ByfjRPPU?mMRDxzGWXKyZ53p-RfC?PsB70Hq3NSgPqnL8w3uITXbGKWrcDoi7J4zJC?f



0-0 _h 12 0-0 _l 12	15-10-1 15-9-5						
Plate Offsets (X,Y)--	[4:0-0-0,0-0-0]						
LOADING (psf)	SPACING- 2-0-0	CSI.	DEFL. in (loc) l/defl L/d	PLATES	GRIP		
TCLL 20.0	Plate Grip DOL 1.15	TC 0.15	Vert(LL) n/a - n/a 999	MT20	244/190		
TCDL 10.0	Lumber DOL 1.15	BC 0.08	Vert(CT) n/a - n/a 999				
BCLL 0.0 *	Rep Stress Incr YES	WB 0.05	Horz(CT) 0.00 5 n/a n/a				
BCDL 10.0	Code IRC2015/TPI2014	Matrix-S					
				Weight: 57 lb	FT = 20%		

LUMBER-	BRACING-
TOP CHORD 2x4 SP No.1	TOP CHORD Structural wood sheathing directly applied or 6-0-0 oc purlins.
BOT CHORD 2x4 SP No.1	BOT CHORD Rigid ceiling directly applied or 10-0-0 oc bracing.
OTHERS 2x4 SP No.2	

REACTIONS. All bearings 15-8-9.
 (lb) - Max Horz 1=48(LC 9)
 Max Uplift All uplift 100 lb or less at joint(s) 1, 8, 6
 Max Grav All reactions 250 lb or less at joint(s) 1, 5 except 7=272(LC 1), 8=344(LC 23), 6=344(LC 24)

FORCES. (lb) - Max. Comp./Max. Ten. - All forces 250 (lb) or less except when shown.
 WEBS 2-8=-260/202, 4-6=-260/202

- NOTES-**
- Unbalanced roof live loads have been considered for this design.
 - Wind: ASCE 7-10; Vult=130mph Vasd=103mph; TCDL=6.0psf; BCDL=6.0psf; h=15ft; Cat. II; Exp C; Enclosed; MWFRS (envelope) and C-C Exterior(2) 0-7-13 to 5-0-10, Interior(1) 5-0-10 to 7-11-0, Exterior(2) 7-11-0 to 12-3-13, Interior(1) 12-3-13 to 15-2-4 zone; C-C for members and forces & MWFRS for reactions shown; Lumber DOL=1.60 plate grip DOL=1.60
 - This truss has been designed for a 10.0 psf bottom chord live load nonconcurrent with any other live loads.
 - * This truss has been designed for a live load of 20.0psf on the bottom chord in all areas where a rectangle 3-6-0 tall by 2-0-0 wide will fit between the bottom chord and any other members.
 - Provide mechanical connection (by others) of truss to bearing plate capable of withstanding 100 lb uplift at joint(s) 1, 8, 6.
 - N/A



September 19, 2023

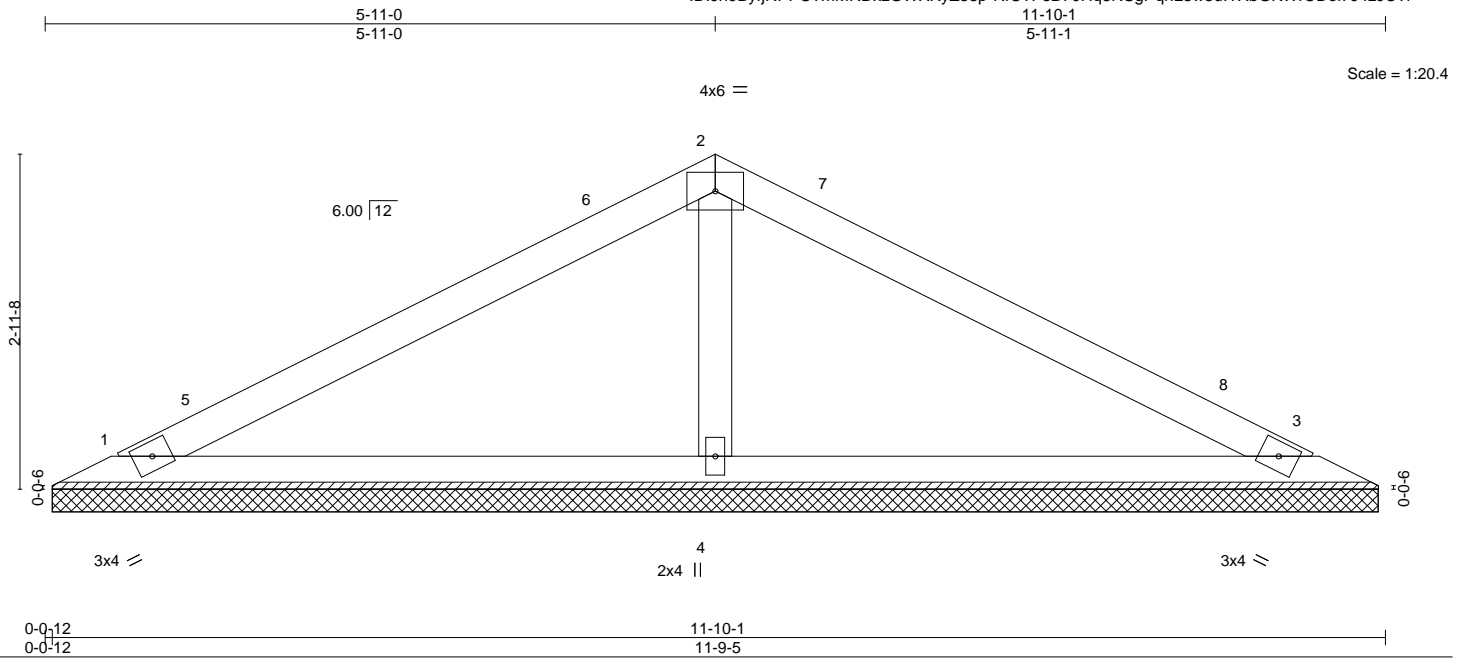
<p>WARNING - Verify design parameters and READ NOTES ON THIS AND INCLUDED MITEK REFERENCE PAGE MII-7473 rev. 1/2/2023 BEFORE USE.</p> <p>Design valid for use only with MiTek® connectors. This design is based only upon parameters shown, and is for an individual building component, not a truss system. Before use, the building designer must verify the applicability of design parameters and properly incorporate this design into the overall building design. Bracing indicated is to prevent buckling of individual truss web and/or chord members only. Additional temporary and permanent bracing is always required for stability and to prevent collapse with possible personal injury and property damage. For general guidance regarding the fabrication, storage, delivery, erection and bracing of trusses and truss systems, see ANSI/TP1 Quality Criteria and DSB-22 available from Truss Plate Institute (www.tpinst.org) and BCSI Building Component Safety Information available from the Structural Building Component Association (www.sbcacomponents.com)</p>	<p>ENGINEERING BY</p> <p>TRENCO</p> <p>A MiTek Affiliate</p> <p>818 Soundside Road Edenton, NC 27932</p>
--	---

Job J0923-5025	Truss VP2	Truss Type VALLEY	Qty 1	Ply 1	Weaver/Lot 48 West Pointe/Harnett I60846479
-------------------	--------------	----------------------	----------	----------	--

Comtech, Inc. Fayetteville, NC - 28314,

8.430 s Jan 6 2022 MiTek Industries, Inc. Mon Sep 18 13:15:28 2023 Page 1
ID:Jh9ByfjRPPU?mMRDxzGWXKyZ53p-RfC?PsB70Hq3NSgPqnL8w3uITXbGKWrcDoi7J4zJC?f

Job Reference (optional)



LOADING (psf)	SPACING-	CSI.	DEFL.	in (loc)	l/defl	L/d	PLATES	GRIP
TCLL 20.0	2-0-0	TC 0.29	Vert(LL)	n/a	-	n/a	MT20	244/190
TCDL 10.0	Plate Grip DOL 1.15	BC 0.20	Vert(CT)	n/a	-	n/a		
BCLL 0.0 *	Lumber DOL 1.15	WB 0.05	Horz(CT)	0.00	3	n/a		
BCDL 10.0	Rep Stress Incr YES	Matrix-S					Weight: 38 lb	FT = 20%
	Code IRC2015/TPI2014							

LUMBER-
TOP CHORD 2x4 SP No.1
BOT CHORD 2x4 SP No.1
OTHERS 2x4 SP No.2

BRACING-
TOP CHORD Structural wood sheathing directly applied or 6-0-0 oc purlins.
BOT CHORD Rigid ceiling directly applied or 10-0-0 oc bracing.

REACTIONS. (size) 1=11-8-9, 3=11-8-9, 4=11-8-9
Max Horz 1=-35(LC 10)
Max Uplift 1=-26(LC 12), 3=-32(LC 13)
Max Grav 1=195(LC 23), 3=195(LC 24), 4=456(LC 1)

FORCES. (lb) - Max. Comp./Max. Ten. - All forces 250 (lb) or less except when shown.
WEBS 2-4=-302/187

NOTES-

- Unbalanced roof live loads have been considered for this design.
- Wind: ASCE 7-10; Vult=130mph Vasd=103mph; TCDL=6.0psf; BCDL=6.0psf; h=15ft; Cat. II; Exp C; Enclosed; MWFRS (envelope) and C-C Exterior(2) 0-7-13 to 5-0-10, Interior(1) 5-0-10 to 5-11-0, Exterior(2) 5-11-0 to 10-3-13, Interior(1) 10-3-13 to 11-2-4 zone; C-C for members and forces & MWFRS for reactions shown; Lumber DOL=1.60 plate grip DOL=1.60
- This truss has been designed for a 10.0 psf bottom chord live load nonconcurrent with any other live loads.
- * This truss has been designed for a live load of 20.0psf on the bottom chord in all areas where a rectangle 3-6-0 tall by 2-0-0 wide will fit between the bottom chord and any other members.
- Provide mechanical connection (by others) of truss to bearing plate capable of withstanding 100 lb uplift at joint(s) 1, 3.
- N/A



September 19, 2023

WARNING - Verify design parameters and READ NOTES ON THIS AND INCLUDED MITEK REFERENCE PAGE MII-7473 rev. 1/2/2023 BEFORE USE.

Design valid for use only with MiTek® connectors. This design is based only upon parameters shown, and is for an individual building component, not a truss system. Before use, the building designer must verify the applicability of design parameters and properly incorporate this design into the overall building design. Bracing indicated is to prevent buckling of individual truss web and/or chord members only. Additional temporary and permanent bracing is always required for stability and to prevent collapse with possible personal injury and property damage. For general guidance regarding the fabrication, storage, delivery, erection and bracing of trusses and truss systems, see **ANSI/TPH Quality Criteria and DSB-22** available from Truss Plate Institute (www.tpinst.org) and **BCSI Building Component Safety Information** available from the Structural Building Component Association (www.sbcacomponents.com)

ENGINEERING BY
TRENCO
A MiTek Affiliate

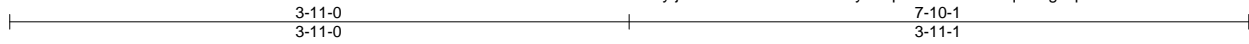
818 Soundside Road
Edenton, NC 27932

Job J0923-5025	Truss VP3	Truss Type VALLEY	Qty 1	Ply 1	Weaver/Lot 48 West Pointe/Harnett I60846480
-------------------	--------------	----------------------	----------	----------	--

Comtech, Inc. Fayetteville, NC - 28314,

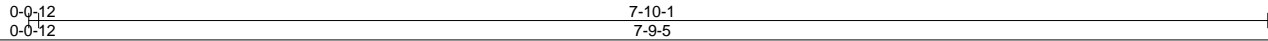
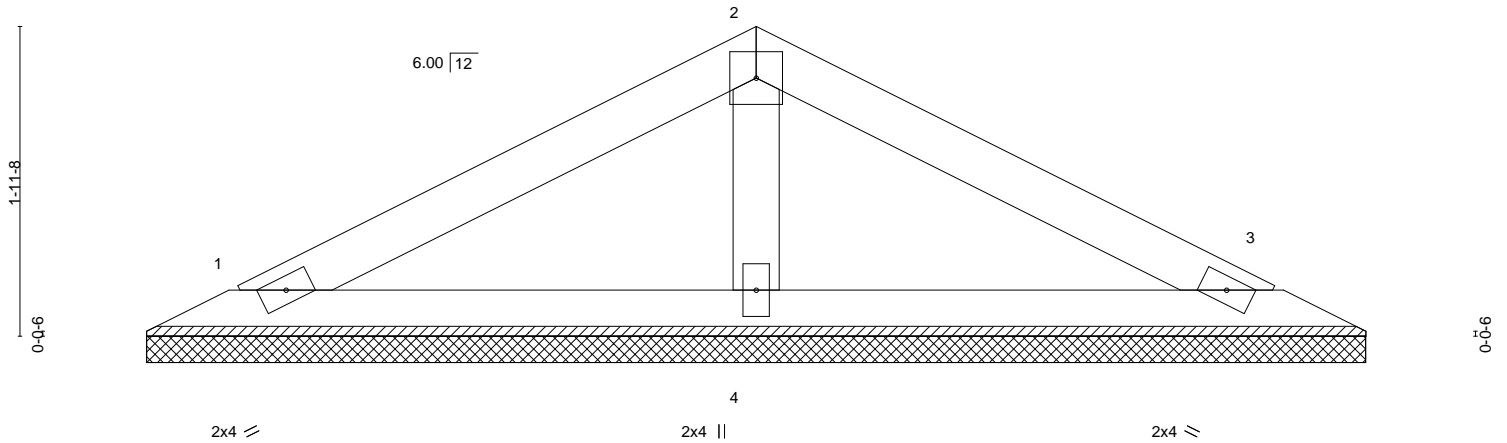
8.430 s Jan 6 2022 MiTek Industries, Inc. Mon Sep 18 13:15:29 2023 Page 1

ID:Jh9ByfjRPPU?mMRDxzGWXKyZ53p-RfC?PsB70Hq3NSgPqnL8w3uITXbGKWrcDoi7J4zJC?f



Scale = 1:14.6

4x4 =



LOADING (psf)	SPACING-	2-0-0	CSI.	DEFL.	in (loc)	l/defl	L/d	PLATES	GRIP
TCLL 20.0	Plate Grip DOL	1.15	TC 0.14	Vert(LL)	n/a	-	n/a	MT20	244/190
BCDL 10.0	Lumber DOL	1.15	BC 0.08	Vert(CT)	n/a	-	n/a		
BCLL 0.0 *	Rep Stress Incr	YES	WB 0.02	Horz(CT)	0.00	3	n/a		
BCDL 10.0	Code IRC2015/TPI2014		Matrix-P					Weight: 24 lb	FT = 20%

LUMBER-
TOP CHORD 2x4 SP No.1
BOT CHORD 2x4 SP No.1
OTHERS 2x4 SP No.2

BRACING-
TOP CHORD Structural wood sheathing directly applied or 6-0-0 oc purlins.
BOT CHORD Rigid ceiling directly applied or 10-0-0 oc bracing.

REACTIONS. (size) 1=7-8-9, 3=7-8-9, 4=7-8-9
Max Horz 1=-21(LC 8)
Max Uplift 1=-21(LC 12), 3=-25(LC 13)
Max Grav 1=133(LC 1), 3=133(LC 1), 4=256(LC 1)

FORCES. (lb) - Max. Comp./Max. Ten. - All forces 250 (lb) or less except when shown.

NOTES-

- 1) Unbalanced roof live loads have been considered for this design.
- 2) Wind: ASCE 7-10; Vult=130mph Vasd=103mph; TC DL=6.0psf; BCDL=6.0psf; h=15ft; Cat. II; Exp C; Enclosed; MWFRS (envelope) and C-C Exterior(2) zone; C-C for members and forces & MWFRS for reactions shown; Lumber DOL=1.60 plate grip DOL=1.60
- 3) This truss has been designed for a 10.0 psf bottom chord live load nonconcurrent with any other live loads.
- 4) * This truss has been designed for a live load of 20.0psf on the bottom chord in all areas where a rectangle 3-6-0 tall by 2-0-0 wide will fit between the bottom chord and any other members.
- 5) Provide mechanical connection (by others) of truss to bearing plate capable of withstanding 100 lb uplift at joint(s) 1, 3.
- 6) N/A



September 19, 2023

WARNING - Verify design parameters and READ NOTES ON THIS AND INCLUDED MITEK REFERENCE PAGE MII-7473 rev. 1/2/2023 BEFORE USE.

Design valid for use only with MiTek® connectors. This design is based only upon parameters shown, and is for an individual building component, not a truss system. Before use, the building designer must verify the applicability of design parameters and properly incorporate this design into the overall building design. Bracing indicated is to prevent buckling of individual truss web and/or chord members only. Additional temporary and permanent bracing is always required for stability and to prevent collapse with possible personal injury and property damage. For general guidance regarding the fabrication, storage, delivery, erection and bracing of trusses and truss systems, see **ANSI/TPH Quality Criteria and DSB-22** available from Truss Plate Institute (www.tpinst.org) and **BCSI Building Component Safety Information** available from the Structural Building Component Association (www.sbcacomponents.com)



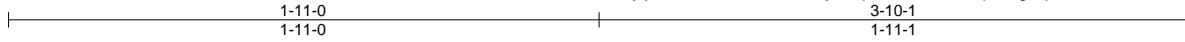
818 Soundside Road
Edenton, NC 27932

Job J0923-5025	Truss VP4	Truss Type VALLEY	Qty 1	Ply 1	Weaver/Lot 48 West Pointe/Harnett 160846481
-------------------	--------------	----------------------	----------	----------	--

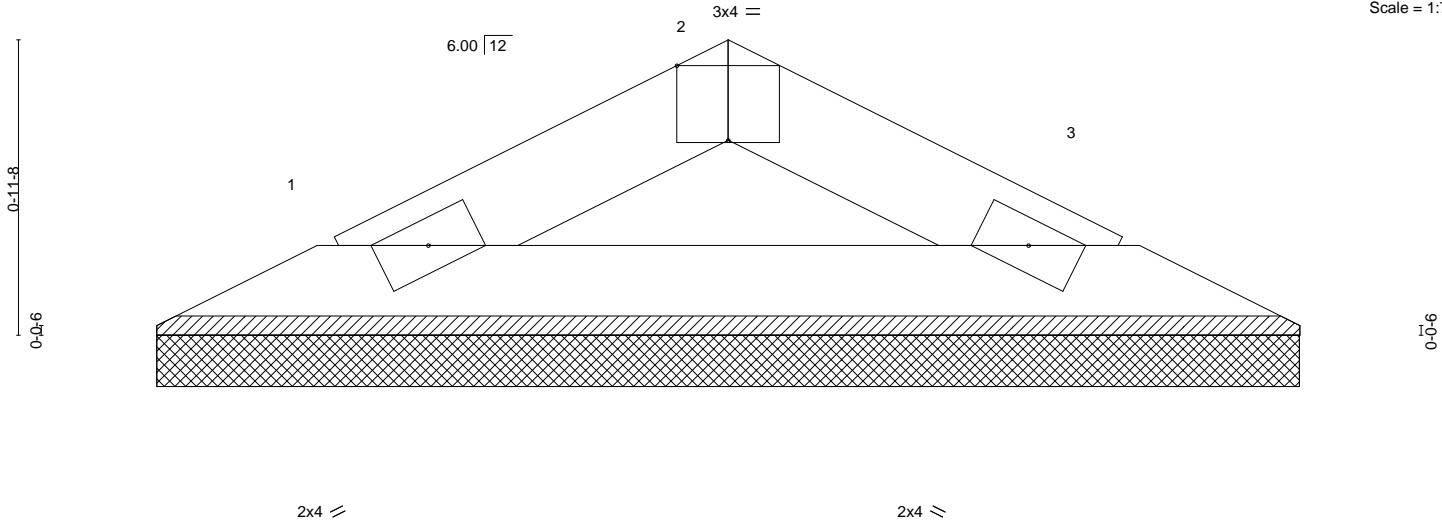
Comtech, Inc. Fayetteville, NC - 28314,

8.430 s Jan 6 2022 MiTek Industries, Inc. Mon Sep 18 13:15:30 2023 Page 1

ID:Jh9ByfjRPPU?mMRDxzGWXKyZ53p-RfC?PsB70Hq3NSgPqnL8w3uITXbGKWrcDoi7J4zJC?f



Scale = 1:7.5



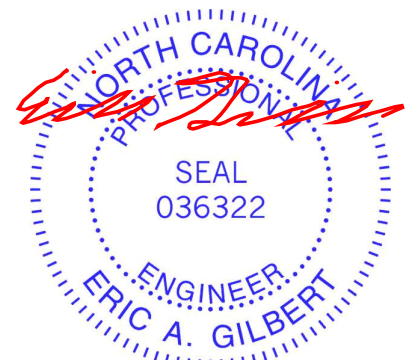
LOADING (psf)	SPACING-	CSI.	DEFL.	PLATES	GRIP
TCLL 20.0	2-0-0	TC 0.03	in (loc) l/defl L/d	MT20	244/190
TCDL 10.0	Plate Grip DOL 1.15	BC 0.06	Vert(LL) n/a - n/a 999		
BCLL 0.0 *	Lumber DOL 1.15	WB 0.00	Vert(CT) n/a - n/a 999		
BCDL 10.0	Rep Stress Incr YES	Matrix-P	Horz(CT) 0.00 3 n/a n/a		
	Code IRC2015/TPI2014			Weight: 10 lb	FT = 20%

LUMBER-	BRACING-
TOP CHORD 2x4 SP No.1	TOP CHORD Structural wood sheathing directly applied or 3-10-1 oc purlins.
BOT CHORD 2x4 SP No.1	BOT CHORD Rigid ceiling directly applied or 10-0-0 oc bracing.

REACTIONS. (size) 1=3-8-9, 3=3-8-9
 Max Horz 1=8(LC 9)
 Max Uplift 1=6(LC 12), 3=6(LC 13)
 Max Grav 1=101(LC 1), 3=101(LC 1)

FORCES. (lb) - Max. Comp./Max. Ten. - All forces 250 (lb) or less except when shown.

- NOTES-**
- 1) Unbalanced roof live loads have been considered for this design.
 - 2) Wind: ASCE 7-10; Vult=130mph Vasd=103mph; TCDL=6.0psf; BCDL=6.0psf; h=15ft; Cat. II; Exp C; Enclosed; MWFRS (envelope) and C-C Exterior(2) zone; C-C for members and forces & MWFRS for reactions shown; Lumber DOL=1.60 plate grip DOL=1.60
 - 3) This truss has been designed for a 10.0 psf bottom chord live load nonconcurrent with any other live loads.
 - 4) * This truss has been designed for a live load of 20.0psf on the bottom chord in all areas where a rectangle 3-6-0 tall by 2-0-0 wide will fit between the bottom chord and any other members.
 - 5) Provide mechanical connection (by others) of truss to bearing plate capable of withstanding 100 lb uplift at joint(s) 1, 3.
 - 6) N/A

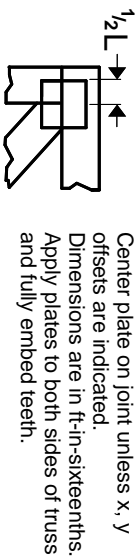


September 19, 2023

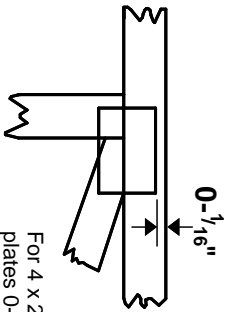
<p>WARNING - Verify design parameters and READ NOTES ON THIS AND INCLUDED MITEK REFERENCE PAGE MII-7473 rev. 1/2/2023 BEFORE USE.</p> <p>Design valid for use only with MiTek® connectors. This design is based only upon parameters shown, and is for an individual building component, not a truss system. Before use, the building designer must verify the applicability of design parameters and properly incorporate this design into the overall building design. Bracing indicated is to prevent buckling of individual truss web and/or chord members only. Additional temporary and permanent bracing is always required for stability and to prevent collapse with possible personal injury and property damage. For general guidance regarding the fabrication, storage, delivery, erection and bracing of trusses and truss systems, see ANSI/TP1 Quality Criteria and DSB-22 available from Truss Plate Institute (www.tpinst.org) and BCSI Building Component Safety Information available from the Structural Building Component Association (www.sbcacomponents.com)</p>	<p>ENGINEERING BY</p> <p>TRENCO</p> <p>A MITEK Affiliate</p> <p>818 Soundside Road Edenton, NC 27932</p>
--	---

Symbols

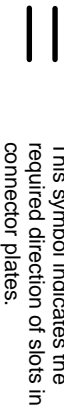
PLATE LOCATION AND ORIENTATION



Center plate on joint unless x, y offsets are indicated. Dimensions are in ft-in-sixteenths. Apply plates to both sides of truss and fully embed teeth.



For 4 x 2 orientation, locate plates 0- 1/16\" from outside edge of truss.



* Plate location details available in MITek software or upon request.

PLATE SIZE

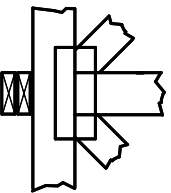
4 X 4
The first dimension is the plate width measured perpendicular to slots. Second dimension is the length parallel to slots.

LATERAL BRACING LOCATION



Indicated by symbol shown and/or by text in the bracing section of the output. Use T or I bracing if indicated.

BEARING

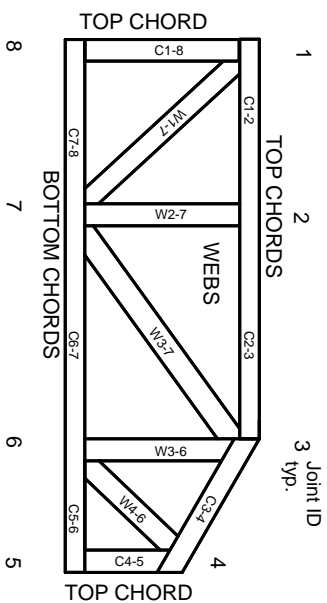


Indicates location where bearings (supports) occur. Icons vary but reaction section indicates joint number/letter where bearings occur. Min size shown is for crushing only.

Industry Standards:

ANSI/TP1: National Design Specification for Metal Plate Connected Wood Truss Construction.
DSB-22: Design Standard for Bracing.
BCSI: Building Component Safety Information, Guide to Good Practice for Handling, Installing, Restraining & Bracing of Metal Plate Connected Wood Trusses.

Numbering System



JOINTS ARE GENERALLY NUMBERED/LETTERED CLOCKWISE AROUND THE TRUSS STARTING AT THE JOINT FARTHEST TO THE LEFT.

CHORDS AND WEBS ARE IDENTIFIED BY END JOINT NUMBERS/LETTERS.

Product Code Approvals

ICC-ES Reports:

ESR-1988, ESR-2362, ESR-2685, ESR-3282
ESR-4722, ESL-1388

Design General Notes

Trusses are designed for wind loads in the plane of the truss unless otherwise shown.

Lumber design values are in accordance with ANSI/TP1 section 6.3. These truss designs rely on Lumber values established by others.

© 2023 MITek® All Rights Reserved

MITek

ENGINEERING BY
TRENGO
A MITek Affiliate

MITek Engineering Reference Sheet: MIL-7473 rev. 1/2/2023

General Safety Notes

Failure to Follow Could Cause Property Damage or Personal Injury

1. Additional stability/bracing for truss system, e.g. diagonal or X-bracing, is always required. See BCSI.
2. Truss bracing must be designed by an engineer. For wide truss spacing, individual lateral braces themselves may require bracing, or alternative Tor I bracing should be considered.
3. Never exceed the design loading shown and never stack materials on inadequately braced trusses.
4. Provide copies of this truss design to the building designer, erection supervisor, property owner and all other interested parties.
5. Cut members to bear tightly against each other.
6. Place plates on each face of truss at each joint and embed fully. Knots and wane at joint locations are regulated by ANSI/TP1 1.
7. Design assumes trusses will be suitably protected from the environment in accord with ANSI/TP1 1.
8. Unless otherwise noted, moisture content of lumber shall not exceed 19% at time of fabrication.
9. Unless expressly noted, this design is not applicable for use with fire retardant, preservative treated, or green lumber.
10. Camber is a non-structural consideration and is the responsibility of truss fabricator. General practice is to camber for dead load deflection.
11. Plate type, size, orientation and location dimensions indicated are minimum plating requirements.
12. Lumber used shall be of the species and size, and in all respects, equal to or better than that specified.
13. Top chords must be sheathed or purlins provided at spacing indicated on design.
14. Bottom chords require lateral bracing at 10 ft. spacing, or less, if no ceiling is installed, unless otherwise noted.
15. Connections not shown are the responsibility of others.
16. Do not cut or alter truss member or plate without prior approval of an engineer.
17. Install and load vertically unless indicated otherwise.
18. Use of green or treated lumber may pose unacceptable environmental, health or performance risks. Consult with project engineer before use.
19. Review all portions of this design (front, back, words and pictures) before use. Reviewing pictures alone is not sufficient.
20. Design assumes manufacture in accordance with ANSI/TP1 1 Quality Criteria.
21. The design does not take into account any dynamic or other loads other than those expressly stated.