

HOUSE PLAN ZONE, LLC.

www.HPZplans.com

Phone: 601.336.3254

IMPORTANT DISCLAIMER

THE ENCLOSED INFORMATION IS INTENDED TO ASSIST AND INFORM YOU THROUGH THE CONSTRUCTION OF YOUR HOME. YOUR CONSTRUCTION PLANS HAVE BEEN DRAWN TO PRESCRIBE TO INDUSTRY STANDARDS. THESE PROFESSIONAL STANDARDS DETERMINE HOW CONSTRUCTION PLANS ARE DRAWN AND WHAT INFORMATION THEY INCLUDE. CONSTRUCTION PLANS ARE INTENDED AS A TECHNICAL GUIDE TO PROFESSIONAL CONTRACTORS AND ARE NOT INTENDED TO BE A SET OF STEP-BY-STEP INSTRUCTIONS. THEREFORE, IF YOU ARE PLANNING TO BUILD YOUR HOME WITHOUT THE SERVICE OF A PROFESSIONAL BUILDER, WE SUGGEST THAT YOU BECOME THOROUGHLY FAMILIAR WITH READING CONSTRUCTION PLANS OR CONSIDER CONSULTING A CONSTRUCTION SPECIALIST. GREAT CARE AND EFFORT GOES INTO THE DESIGN AND CREATION OF THE CONSTRUCTION PLANS; HOWEVER, BECAUSE OF THE IMPOSSIBILITY OF PROVIDING ANY PERSONAL AND/OR "ON-SITE" CONSULTATION, SUPERVISION AND CONTROL OVER THE ACTUAL CONSTRUCTION, AND BECAUSE OF THE GREAT VARIANCES IN LOCAL BUILDING CODE REQUIREMENTS AND OTHER GEOGRAPHIC LOCATION AND WEATHER CONDITIONS, HOUSE PLAN ZONE, LLC. NOR THE AGENTS OR EMPLOYEES ASSUMES NO RESPONSIBILITY FOR ANY DAMAGES INCLUDING BUT NOT LIMITED TO, ANY DEFICIENCIES, OMISSIONS, OR ERRORS IN THE DESIGN. IN ANY CASE, ANY DISCREPANCIES, ERRORS, AND/OR OMISSIONS IN THE DIMENSIONS, AND/OR DRAWINGS CONTAINED IN THE CONSTRUCTION PLANS SHALL BE BROUGHT TO THE ATTENTION OF HOUSE PLAN ZONE, LLC. PRIOR TO COMMENCEMENT OF CONSTRUCTION. PROCEEDING WITH CONSTRUCTION CONSTITUTES THE ACCEPTANCE OF THE CONSTRUCTION DOCUMENTS "AS IS" AND ANY DISCREPANCIES, ERRORS, AND/OR OMISSIONS BECOME THE SOLE RESPONSIBILITY OF THE PURCHASER. IF ANY ERRORS ARE DISCOVERED PRIOR TO CONSTRUCTION HOUSE PLAN ZONE, LLC. WILL BE GIVEN FULL OPPORTUNITY TO CORRECT ANY ERRORS AND/OR OMISSIONS TO THE CONSTRUCTION PLANS. IN ANY OR ALL CIRCUMSTANCES, THE MAXIMUM FINANCIAL LIABILITY TO HOUSE PLAN ZONE, LLC. CAN NOT EXCEED THE TOTAL PLAN PURCHASE.

PROFESSIONAL SEAL/ ADDITIONAL DRAWINGS

THOUGH EVERY EFFORT WAS MADE TO MAKE THE CONSTRUCTION DOCUMENTS FOLLOW THE I.R.C. NATIONAL CODE METHODOLOGIES, A FEW STATES AND CITIES HAVE PASSED BI-LAWS REGARDING CONSTRUCTION PLANS THAT WOULD BE SUBMITTED TO YOUR LOCAL MUNICIPALITY AND USED FOR THE CONSTRUCTION OF YOUR HOME. THESE BI-LAWS REQUIRE THE CONSTRUCTION PLANS TO BE REVIEWED AND/OR PREPARED, INSPECTED, AND SEALED (OR STAMPED) BY A LICENSED ARCHITECT/ ENGINEER IN YOUR STATE. IT IS ADVISED THAT YOU CONTACT YOUR MUNICIPALITY'S BUILDING DEPARTMENT FOR INSTRUCTIONS TO COMPLY WITH THEIR CONSTRUCTION PLANS REVIEW PROCESS. FURTHERMORE, ADDITIONAL ITEMS SUCH AS STRUCTURAL, HVAC, PLUMBING, SITE, ENERGY EFFICIENCY DOCUMENTATION, ETC. MAY BE REQUIRED AND THESE SHALL BE PROVIDED BY A LOCAL PROFESSIONAL THAT IS FAMILIAR WITH THE REQUIREMENTS AND THESE SHALL BE PROVIDED AT THE OWNERS EXPENSE.

OTHER IMPORTANT INFORMATION

MATERIALS LIST DISCLAIMER - IF A MATERIALS LIST WAS ORDERED, IT WILL ONLY CONFORM TO THE PLAN IN ITS ORIGINAL FORMAT. ADDITIONAL OPTIONS SUCH AS 2X6 EXTERIOR WALLS, BASEMENT, OR WALKOUT BASEMENT FOUNDATIONS, THREE CAR GARAGE VERSIONS, ETC. WILL NOT BE REFLECTED IN THE LIST. WHILE IT WILL NOT MATCH THESE OPTIONS, THE LIST IS STILL A GREAT REFERENCE DOCUMENT FOR THE MATERIALS THAT WILL BE REQUIRED TO CONSTRUCT YOUR HOME.

FOUNDATIONS - MOST OF OUR FOUNDATIONS ARE DESIGNED WITH CONCRETE BLOCK STEM WALLS AND NOT POURED-IN-PLACE CONCRETE. ADDITIONALLY, THE MAJORITY OF OUR SLAB FOUNDATIONS ARE DESIGNED WITH A CHAIN WALL (RAISED) SLAB AND NOT MONOLITHIC (SLAB ON GRADE). CONTRACTOR/ LOCAL ENGINEER SHALL ADJUST DESIGN AS NEEDED FOR YOUR SPECIFIC AREA/ NEED.

SQUARE FOOTAGES - BONUS ROOMS (WHERE APPLICABLE) ARE NOT INCLUDED IN THE HEATED AREA OF THE DESIGN UNLESS SPECIFICALLY NOTED. GARAGE PLANS ARE EXCLUDED. SQUARE FOOTAGES SHOWN ARE CALCULATED TO THE OUTSIDE OF THE STUD WALL AND DO NOT INCLUDE THE EXTERIOR MATERIALS SUCH AS BRICK, STONE, OR SIDING.

DIMENSIONS - OUR PLANS ARE DIMENSIONED TO THE OUTSIDE OF THE STUD WALL ONLY AND NOT TO THE OUTSIDE OF THE BRICK LEDGE (WHERE APPLICABLE).

COPYRIGHTS

REPRODUCTION OF THESE CONSTRUCTION PLANS, EITHER IN WHOLE OR IN PART, INCLUDING ANY FORM COPYING AND/OR PREPARATION OF A DERIVATIVE WORKS THEREOF, FOR ANY REASON IS STRICTLY PROHIBITED. THE PURCHASE OF A SET OF CONSTRUCTION PLANS IN NO WAY TRANSFERS ANY COPYRIGHT OR OTHER OWNERSHIP INTEREST IN IT TO THE PURCHASER EXCEPT FOR A LIMITED LICENSING RELEASE TO USE THE SAID PLAN SET FOR CONSTRUCTING ONE AND ONLY ONE DWELLING UNIT. THE PURCHASE OF ADDITIONAL SETS OF THE SAID PLANS AT A REDUCED PRICE FROM THE ORIGINAL SET OR AS PART OF A MULTIPLE SET PACKAGE DOES NOT CONVEY TO THE PURCHASER A LICENSE TO CONSTRUCT MORE THAN ONE DWELLING. SIMILARLY, THE PURCHASE OF REPRODUCIBLE CONSTRUCTION PLANS (A.K.A. SEPIAS, MYLARS, OR VELLUMS) CARRIES THE SAME COPYRIGHT PROTECTION AS MENTIONED ABOVE. IT IS GENERALLY ALLOWED TO MAKE A MAXIMUM OF 10 COPIES FOR THE CONSTRUCTION OF A SINGLE DWELLING ONLY. TO USE ANY PLAN MORE THAN ONCE, AND TO AVOID ANY COPYRIGHT/ LICENSE INFRINGEMENT, IT IS NECESSARY TO CONTACT THE ORIGINAL DESIGNER TO RECEIVE A LICENSE FOR ANY EXTENDED USAGE. WHEREAS A PURCHASER OF REPRODUCIBLE'S IS GRANTED A LICENSE TO MAKE COPIES, IT SHOULD BE NOTED THAT AS COPYRIGHTED MATERIALS, MAKING PHOTOCOPIES FROM CONSTRUCTION PLANS IS ILLEGAL. COPYRIGHT AND LICENSEE OF CONSTRUCTION PLANS EXISTS TO PROTECT ALL PARTIES. IT RESPECTS AND SUPPORTS THE INTELLECTUAL PROPERTY OF THE ORIGINAL ARCHITECT AND/OR DESIGNER, THEREBY KEEPING IT POSSIBLE TO OFFER PRE-DRAWN PLANS AT AFFORDABLE PRICES. COPYRIGHT LAW FOR PRE-DRAWN CONSTRUCTION PLANS IS NOW BEING VIGOROUSLY ENFORCED. COPYRIGHT INFRINGEMENT COULD LEAD TO FINES OF UP TO \$100,000 PER VIOLATION.

GENERAL SITE NOTES

- CONTRACTOR TO VERIFY LOCATIONS OF SITE UTILITIES, REQUIREMENTS, AND CONNECTIONS FEES. OWNER, CONTRACTOR AND SUB-CONTRACTORS TO PAY ALL OF THEIR RELATED CONSTRUCTION PERMIT FEES AS AGREED UPON BETWEEN THE OWNER AND CONTRACTOR.
- BEFORE EXCAVATION, THE CONTRACTOR SHALL EXAMINE ALL DRAWINGS, MAPS, AND BUILDING SITE TO DETERMINE THE ROUTES OF ALL UNDERGROUND UTILITIES.
- BEFORE DIGGING COMMENCES IT IS ADVISED THAT THE OWNER AND OR CONTRACTOR CALL THEIR STATES UTILITY LOCATOR FACILITATOR.
- IT IS RECOMMENDED THAT THE SITES SOIL BE TESTED FOR COMPRESSION RATING TO DETERMINE FOUNDATION AND FOOTING DESIGN. CONCRETE FOUNDATIONS AND FOOTING DESIGN SHALL BE IN ACCORDANCE TO CHAPTER 4 OF THE I.R.C. CODE. FOUNDATION DESIGN TO BE VERIFIED BY A LOCAL PROFESSIONAL OR ENGINEER. CONSULT A LOCAL CIVIL ENGINEER FOR SITE PLANS AND SURVEYS OF EXISTING PROPERTY. A LANDSCAPE ARCHITECT SHOULD BE CONSULTED FOR MORE EXTENSIVE LANDSCAPE DESIGNS.



PLAN #: 1254-S

FOUNDATION TYPE: SLAB
EXTERIOR WALL SIZE: 2x4 EXT. WALLS

SHEET INDEX:

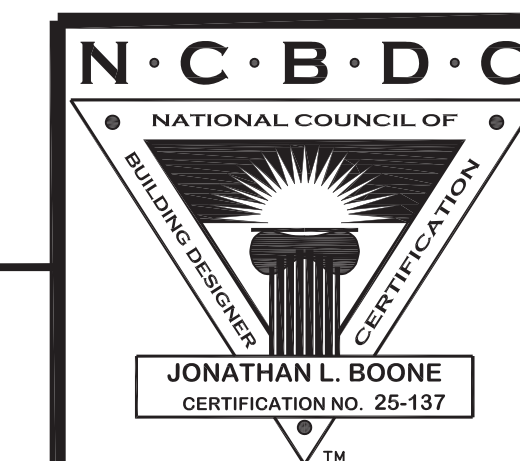
- | | |
|------------------------------------|------------------------|
| 1. COVER SHEET | N1 I.R.C. CODE SHEET |
| 2. FOUNDATION PLAN & MISC. DETAILS | N2 I.R.C. CODE SHEET |
| 3. FLOOR/ELECTRICAL PLANS | N3 I.R.C. CODE SHEET |
| 4. EXTERIOR VIEWS | N4 I.R.C. ENERGY SHEET |
| 5. SECTION/ KITCHEN CABS | |
| 6. ROOF PLAN | |

DESIGN DATA

MINIMUM SOIL BEARING CAPACITY = 2000 P.S.F. FOR GROUP II
CONCRETE MINIMUM (28 DAYS) f_c :
FOOTERS = 3000 P.S.I.
SLABS & WALLS = 3000 P.S.I.
REINFORCING STEEL: A.S.T.M. A615-60
ROOF LIVE LOAD (GROUND SNOW LOAD) = 30 P.S.F.
ROOF DEAD LOAD = 10 P.S.F.
FLOOR LIVE LOAD = 40 P.S.F.
30 P.S.F. SLEEPING AREAS
FLOOR DEAD LOAD = 10 P.S.F.
DECK LIVE LOAD = 40 P.S.F.
DECK DEAD LOAD = 10 P.S.F.
NOTE: ALL REQUIRED BRACE WALL PANELS LOCATED BY CONTRACTOR PER LOCAL CODE REQUIREMENTS.

STANDARD ABBREVIATIONS

@	AT	LT.	LIGHT
#	POUND(S)	LIN.	LINEN
APPROX.	APPROXIMATELY	MANUF.	MANUFACTURER
BASE.	BASEMENT	MAS.	MASONRY
BT	BETWEEN	MAX.	MAXIMUM
BLK	BLOCK	MTL.	METAL
BLKG	BLOCKING	MIN.	MINIMUM
BD.	BOARD	N.I.C.	NOT IN CONTRACT
BRD.	BOARD	O.C.	ON CENTER
BOT.	BOTTOM	O/C	ON CENTER
BLDG.	BUILDING	OPT.	OPTIONAL
CAB.	CABINET	O.S.B.	ORIENTED STRAND BOARD
CLG.	CEILING	OTS	OWNER TO SELECT
CLR.	CLEAR	O.T.S	OWNER TO SELECT
CLOS.	CLOSET	PG.	PAGE
COL.	COLUMN	PAN.	PANTRY
COLS.	COLUMNS	PL.	PLATE
CONC.	CONCRETE	P	PLATE
CMU	CONCRETE MASONRY UNIT	PLYWD	PLYWOOD
C.U.	CONDENSOR UNIT	PLYWD	PLYWOOD
CONN.	CONNECTION	POLY.	POLYETHYLENE
CONT.	CONTINUOUS	PSI	POUNDS PER SQUARE INCH
COVERG	COVERING	PRE-FAB	PREFABRICATED
CS	GRAVEL SPACE	RE.	REFERENCE
DECO.	DECORATIVE	REF.	REFRIGERATOR
DET.	DETAIL	REINF.	REINFORCED
DIA.	DIAMETER	R	RESISTANCE
DW	DISHWASHER	R.A.	RETURN AIR
DBL.	DOUBLE	R.A.G.	RETURN AIR GRILLE
DF	DOUGLAS FIR	REQ'D	REQUIRED
D	DRYER	SCR.	SCREEN
EA.	EACH	SHLVs.	SHELVES
ELEV.	ELEVATION	SHR.	SHOWER
ENG.	ENGINEER	SHWR.	SHOWER
FT.	FEET	SST.	SIMPSON STRONG TIE
F.F.L.	FINISHED FLOOR LINE	SP	SOUTHERN PINE
FIN.	FINISH	SPECS.	SPECIFICATIONS
FLK.	FIRE CODE	SQ.	SQUARE
F.C.	FIRE CODE	S.F.	SQUARE FOOTAGE
FLR.	FLOOR	STL.	STEEL
FTG.	FOOTING	THK.	THICK
FOUND.	FOUNDATION	THK.	THICKNESS
FND.	FOUNDATION	TBD.	TO BE DETERMINED
FR.	FREEZER	TR.	TRANSOM
GA.	GAUGE	TYP.	TYPICAL
GALV.	GALVANIZED	U.T.C.	UNDER THE COUNTER
GYP.	GYPSPUM	UTIL.	UTILITY
HDR.	HEADER	VAN.	VANITY
HVAC	HEATING, VENTILATION & AIR CONDITIONING	VERT.	VERTICAL
HT.	HEIGHT	WH	WATER HEATER
HTS.	HEIGHTS	W	WASHER
HORIZ.	HORIZONTAL	WT.	WEIGHT
IN.	INCHES	WIN.	WINDOW
INCL.	INCLUDE	WM.	WIRE MESH
INSUL.	INSULATION	W	WITH
JT.	JOINT	WD.	WOOD
JST.	JOIST	WFGM	WOOD FRAME
JSTS.	JOISTS		CONSTRUCTION MANUAL



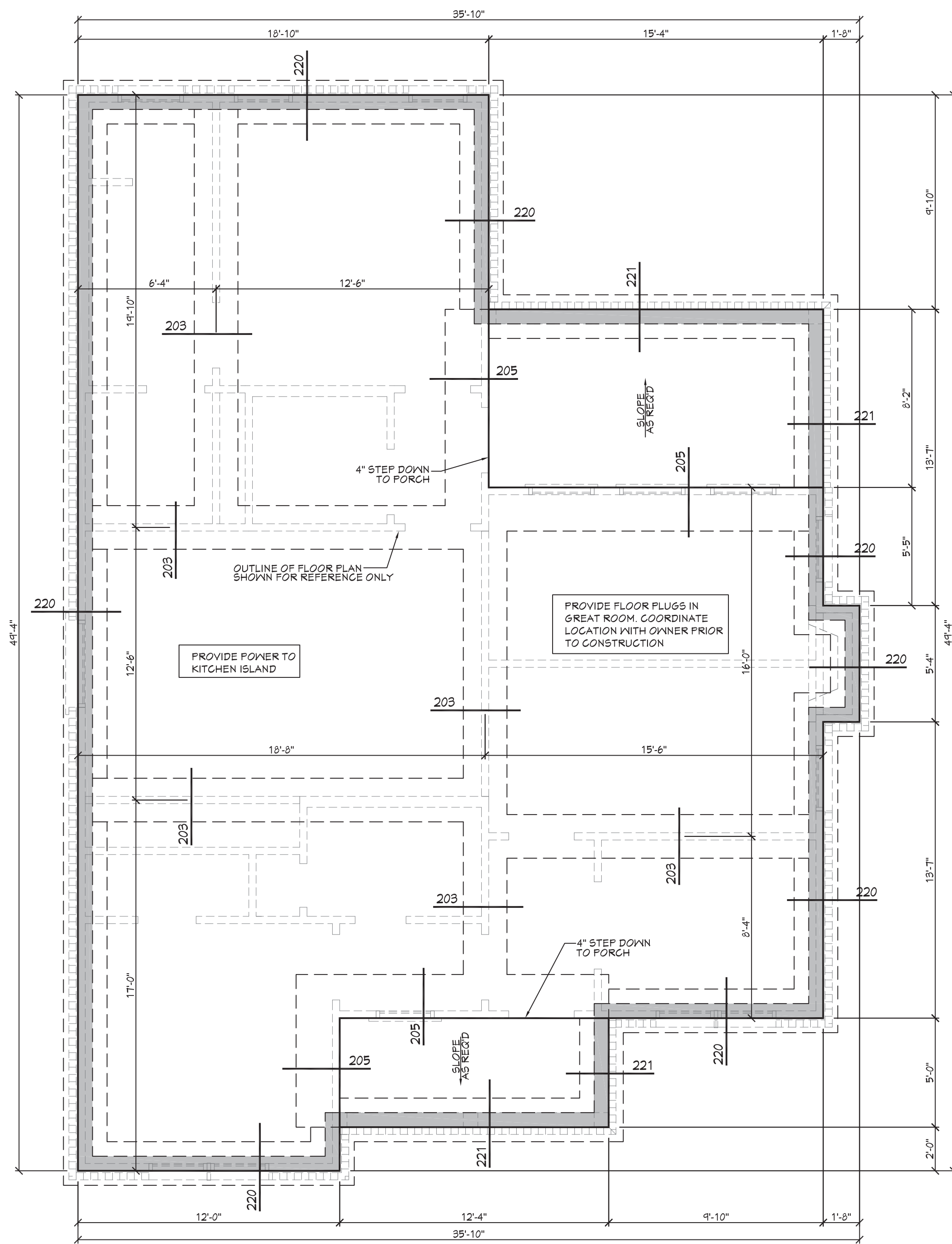
Date: 2.09.21

Drawn By: C.A.B.

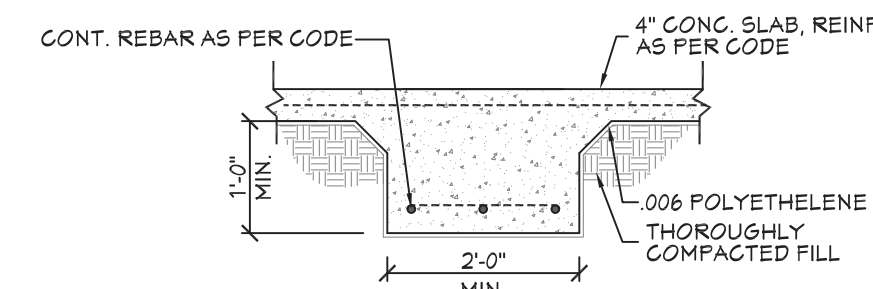
© COPYRIGHT HOUSE PLAN ZONE, LLC ALL RIGHTS RESERVED

SHEET NUMBER

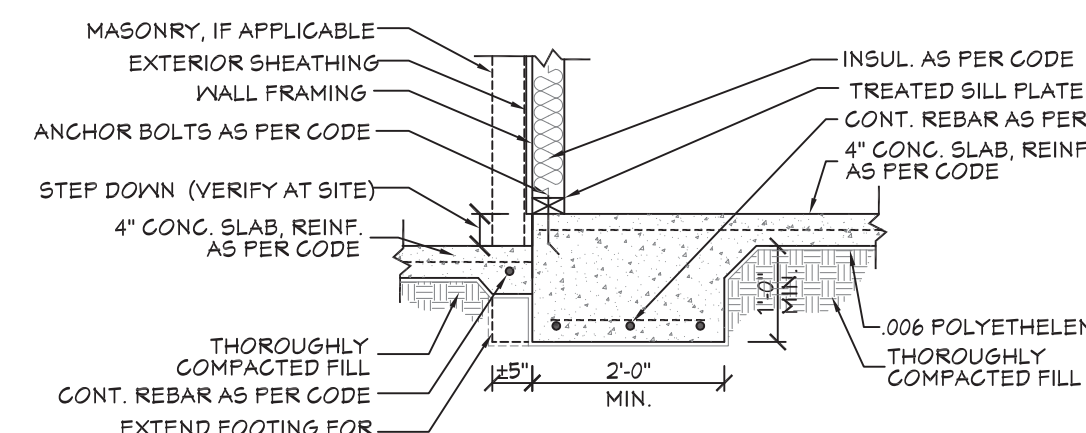
1



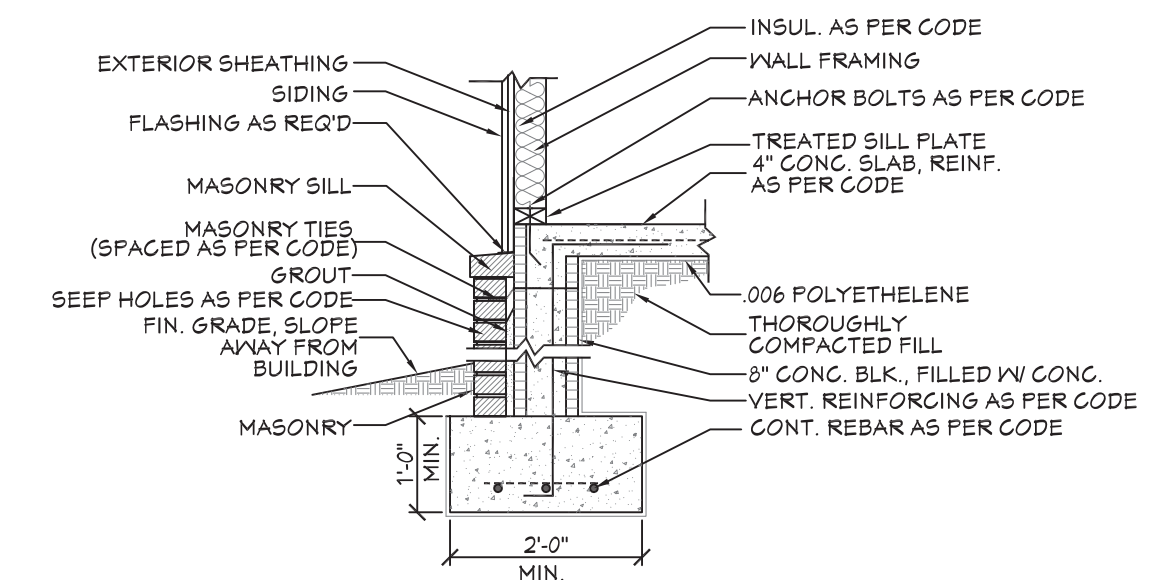
201 FOUNDATION PLAN
SCALE..... 1/4" = 1'-0"



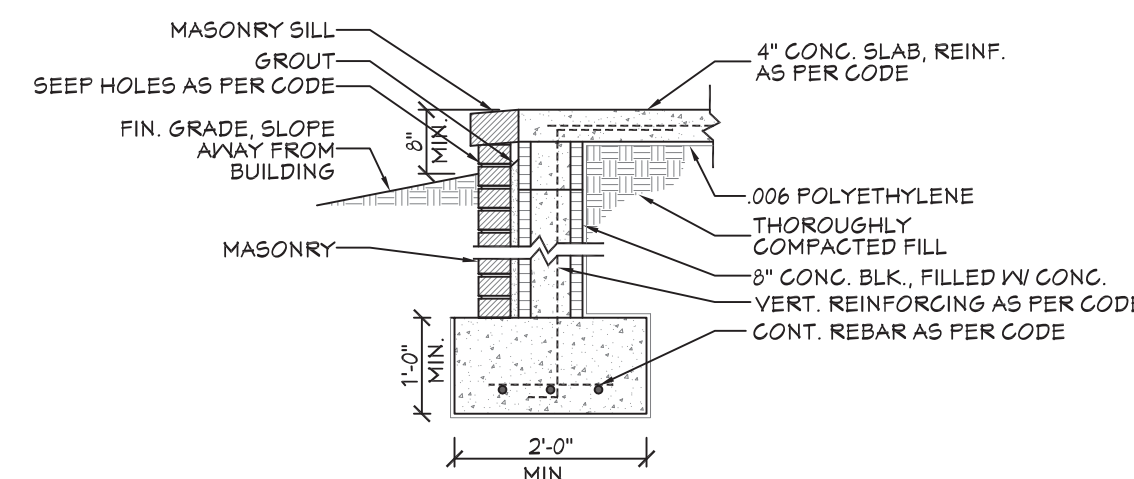
203 FTG. DET.



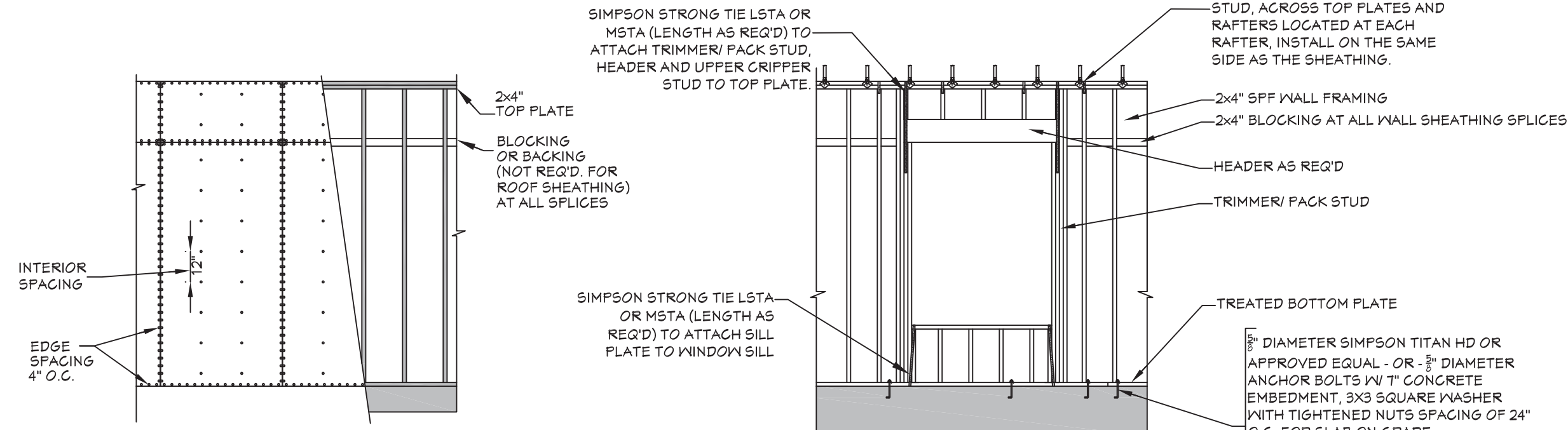
205 FTG. DET.



220 FTG. DET.



221 FTG. DET.



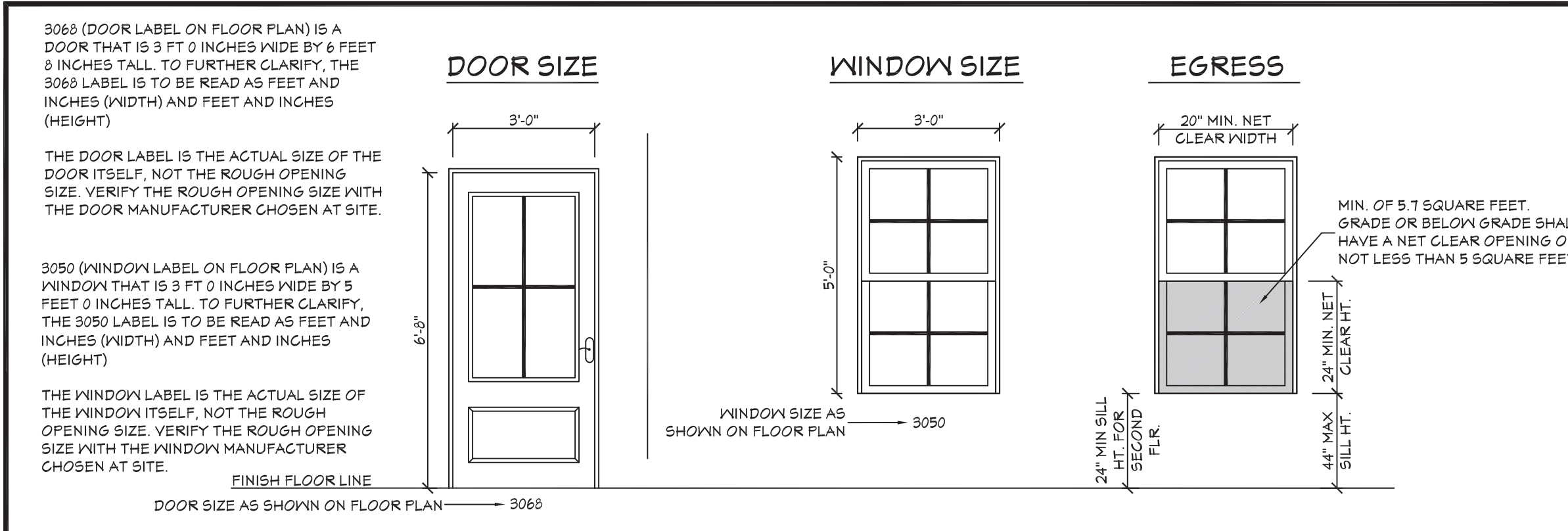
233 WALL/ROOF FASTENING DETAILS
SCALE..... 1/4" = 1'-0"

NAIL SIZE SPACING FOR WALL SHEATHING
8d NAILS MIN. OF 7/16" O.S.B. EDGE SPACING = 4" O.C. INTERIOR SPACING = 12" O.C.
NAIL SIZE SPACING FOR ROOF SHEATHING
8d NAILS MIN. OF 7/16" O.S.B. EDGE SPACING = 4" O.C. INTERIOR SPACING = 4" O.C.

NOTES:
1. ALL EXTERIOR SHEATHING TO EXTEND FROM BOTTOM OF BOTTOM PLATE TO THE TOP OF THE TOP PLATES.
2. PROVIDE 2x4 OR GREATER COLLAR TIES ON EACH RAFTER IN THE UPPER THIRD OF ATTIC AND ATTACHED TO RAFTERS WITH 5 - 10d NAILS ON EACH SIDE TO SHINGLES OR OTHER ROOF MATERIALS TO BE FASTENED AS PER MANUFACTURERS INSTRUCTIONS FOR HIGH WIND APPLICATIONS.
3. EXTERIOR WALL FINISHES TO BE INSTALLED AS PER MANUFACTURERS INSTRUCTIONS BASED ON HIGH WIND APPLICATIONS.

SLAB FOUNDATION NOTES:

- ALL FOOTING SIZES AND LOCATIONS TO BE VERIFIED BY A LICENSED STRUCTURAL ENGINEER.
- CONTRACTOR TO ADAPT PLANS AS REQUIRED TO MEET ALL APPLICABLE CODES AT SITE.
- CONTRACTOR SHALL VERIFY ALL DIMENSIONS WITH FLOOR PLAN PRIOR TO CONSTRUCTION AND MAKE ANY NECESSARY ADJUSTMENTS.
- CONTRACTOR TO PROVIDE WATERPROOFING AS REQ'D TO MEET ALL APPLICABLE CODES AND TYPICAL BUILDING PRACTICES.
- CONCRETE SLABS TO BE 4" (3000 psi MIN.), REINFORCED AS PER CODE OR AS DETERMINED BY LICENSED ENGINEER.
- ALL EXTERIOR DIMENSIONS ARE TO THE OUTSIDE OF THE STUDWALL AND DO NOT INCLUDE THE BRICK LEDGE (IF APPLICABLE)



234 OPENING SIZES/ EGRESS
SCALE..... NTS

R311.1 Means of egress. Dwellings shall be provided with a means of egress in accordance with this section. The means of egress shall provide a continuous and unobstructed path of vertical and horizontal egress travel from all portions of the dwelling to the required egress door without requiring travel through a garage. The required egress door shall open directly into a public way or to a yard or court that opens to a public way.

R310.2.1 Minimum opening area. Emergency and escape rescue openings shall have a net clear opening of not less than 5.7 square feet (0.530 m²). The net clear opening dimensions required by this section shall be obtained by the normal operation of the emergency escape and rescue opening from the inside. The net clear height opening shall be not less than 24 inches (610 mm) and the net clear width shall be not less than 20 inches (508 mm). Exception: Grade floor or below grade openings shall have a net clear opening of not less than 5 square feet (0.465 m²).

R310.2.2 Window sill height. Where a window is provided as the emergency escape and rescue opening, it shall have a sill height of not more than 44 inches (1119 mm) above the floor; where the sill height is below grade, it shall be provided with a window well in accordance with Section R310.2.3.

R310.2.3 Window wells. The horizontal area of the window well shall be not less than 9 square feet (0.9 m²), with a horizontal projection and width of not less than 36 inches (914 mm). The area of the window well shall allow the emergency escape and rescue opening to be fully opened. Exception: The ladder or steps required by Section R310.2.3.1 shall be permitted to encroach not more than 6 inches (152 mm) into the required dimensions of the window well.

R310.2.3.1 Ladder and steps. Window wells with a vertical depth greater than 44 inches (1119 mm) shall be equipped with a permanently affixed ladder or steps usable with the window in the fully open position. Ladders or steps required by this section shall not be required to comply with Sections R311.1 and R311.2. Ladders or rungs shall have an inside width of not less than 12 inches (305 mm), shall project not less than 3 inches (76 mm) from the wall and shall be spaced not more than 18 inches (457 mm) on center vertically for the full height of the window well.

R312.2 Window fall protection. Window fall protection shall be provided in accordance with Sections R312.2.1 and R312.2.2.

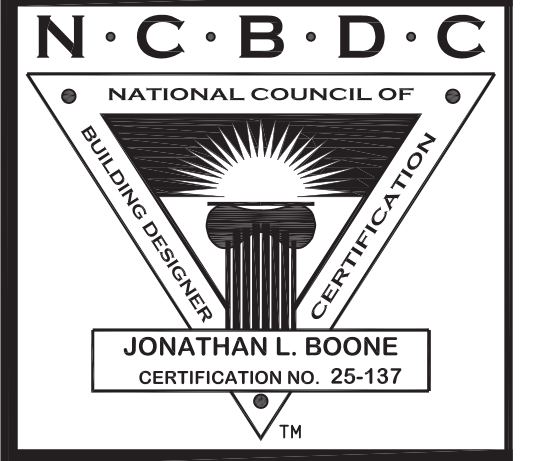
R312.2.1 Window sills. In dwelling units, where the top of the sill of an operable window opening is located less than 24 inches (610 mm) above the finished grade and greater than 72 inches (1829 mm) above the finished grade or other surface below on the exterior of the building, the operable window shall comply with one of the following:

- Operable windows with openings that will not allow a 4-inch-diameter (102 mm) sphere to pass through the opening where the opening is in its largest opened position.
- Operable windows that are provided with window fall prevention devices that comply with ASTM F 2040.
- Operable windows that are provided with window opening control devices that comply with Section R312.2.2.

R312.2.2 Window opening control devices. Window opening control devices shall comply with ASTM F 2040. The window opening control device, after operation to release the control device allowing the window to fully open, shall not reduce the net clear opening area of the window unit to less than the area required by Section R310.2.1.

Designing Homes
HOUSE PLAN ZONE
Building Relationships

Website:
www.HFZplans.com
Email:
sales@hpfzplans.com
Phone:
601.336.3254
Fax:
1.800.574.1387



Pre-Drawn Plan ID:
1254-S

Date:
2.09.21
Drawn By:
C.A.B.

© COPYRIGHT
HOUSE PLAN ZONE, LLC
ALL RIGHTS RESERVED

SHEET NUMBER
2

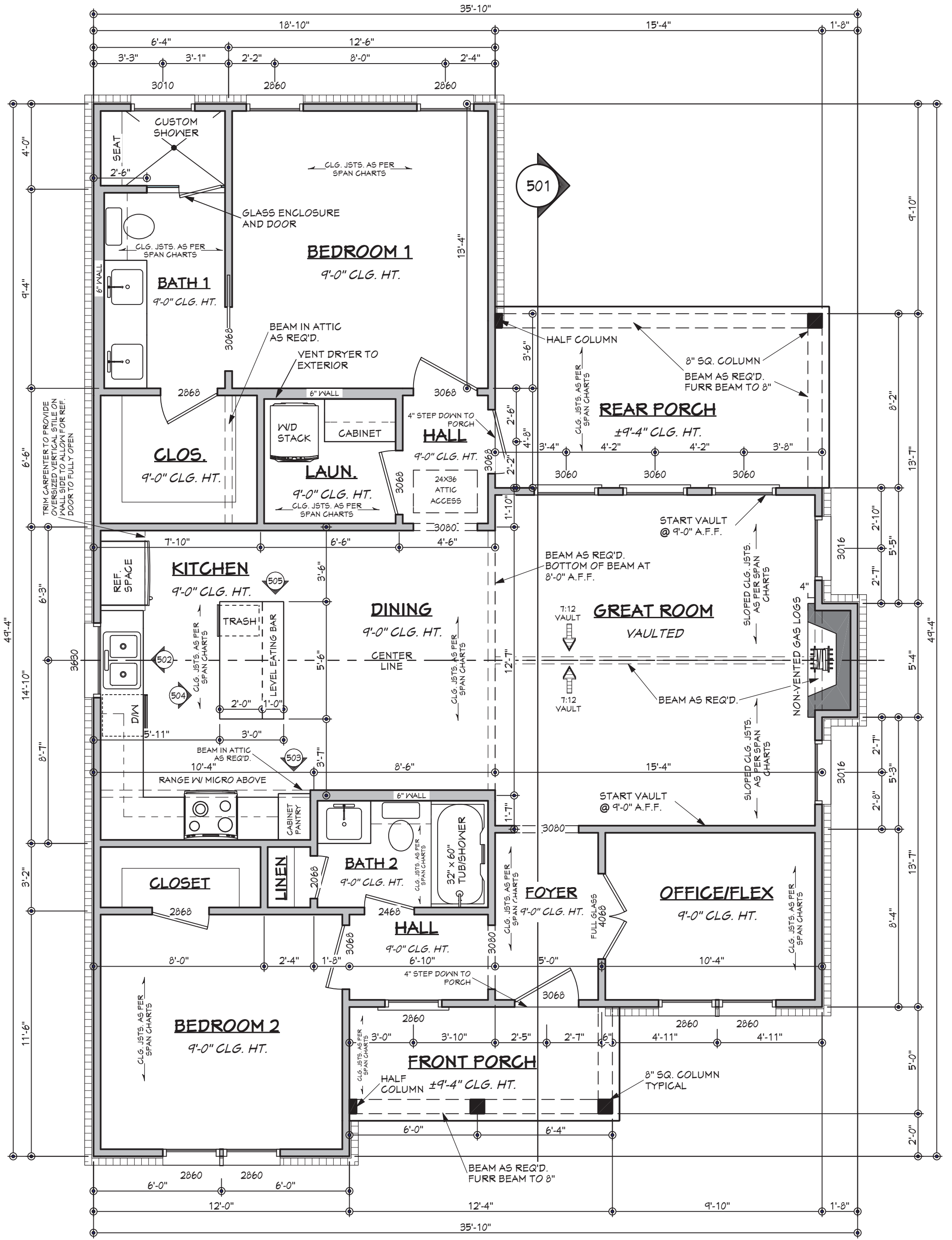
House Plan Zone, LLC has exercised great care and effort in the development of these plans and the completion of these construction documents. However, the contractor is responsible for verifying all dimensions, materials, and specifications shown on these plans. House Plan Zone, LLC is not responsible for any damages, including structural failures, resulting from omissions or deficiencies in the design. House Plan Zone, LLC highly recommends that these plans be reviewed by a licensed structural engineer in the area of construction. Other special conditions required by local building codes. All dimensions to be verified on site prior to construction. If a foundation plan has been included in these plans, it is a general note and shall be verified by a licensed engineer prior to construction.

■ **DOOR LABEL SIZE:** 3068 IS A DOOR THAT IS 3 FT 0 INCHES WIDE BY 6 FEET 8 INCHES TALL. TO FURTHER CLARIFY, THE 3068 LABEL IS TO BE READ AS FEET AND INCHES (WIDTH) AND FEET AND INCHES (HEIGHT). THE DOOR LABEL IS THE ACTUAL SIZE OF THE DOOR ITSELF, NOT THE ROUGH OPENING SIZE. VERIFY THE ROUGH OPENING SIZE WITH THE DOOR MANUFACTURER CHOSEN AT SITE.

■ **WINDOW LABEL SIZE:** 3050 IS A WINDOW THAT IS 3 FT 0 INCHES WIDE BY 5 FEET 0 INCHES TALL. TO FURTHER CLARIFY, THE 3050 LABEL IS TO BE READ AS FEET AND INCHES (WIDTH) AND FEET AND INCHES (HEIGHT). THE WINDOW LABEL IS THE ACTUAL SIZE OF THE WINDOW ITSELF, NOT THE ROUGH OPENING SIZE. VERIFY THE ROUGH OPENING SIZE WITH THE WINDOW MANUFACTURER CHOSEN AT SITE.

AREAS:	1254 S.F. HEATED
	125 S.F. UNHEATED - REAR PORCH
	62 S.F. UNHEATED - FRONT PORCH
	187 S.F. UNHEATED - TOTAL
	1441 S.F. TOTAL

SQUARE FOOTAGE CALCULATION NOTES:
 1. SQUARE FOOTAGE OF HEATED AREA IS FIGURED TO THE OUTSIDE OF THE STUD/WALL OF THE EXTERIOR WALLS (DOES NOT INCLUDE MASONRY OR OTHER EXTERIOR MATERIALS).
 2. FIREPLACES THAT PROTRUDE FROM THE EXTERIOR FOOTPRINT ARE NOT INCLUDED IN THE HEATED AREA.
 3. STAIRWELLS ARE ONLY INCLUDED IN THE FIRST FLOOR CALCULATIONS AND NOT THE SECOND FLOOR CALCULATIONS (IF APPLICABLE).



FLOOR PLAN

SCALE: 1/4" = 1'-0"

MECHANICAL NOTE:
WATER HEATER & HVAC UNIT TO BE LOCATED IN ATTIC SPACE BY CONTRACTOR.

WALL FRAMING NOTE:
ALL WALLS TO BE 2X4 @ 16" O.C. UNLESS OTHERWISE NOTED.

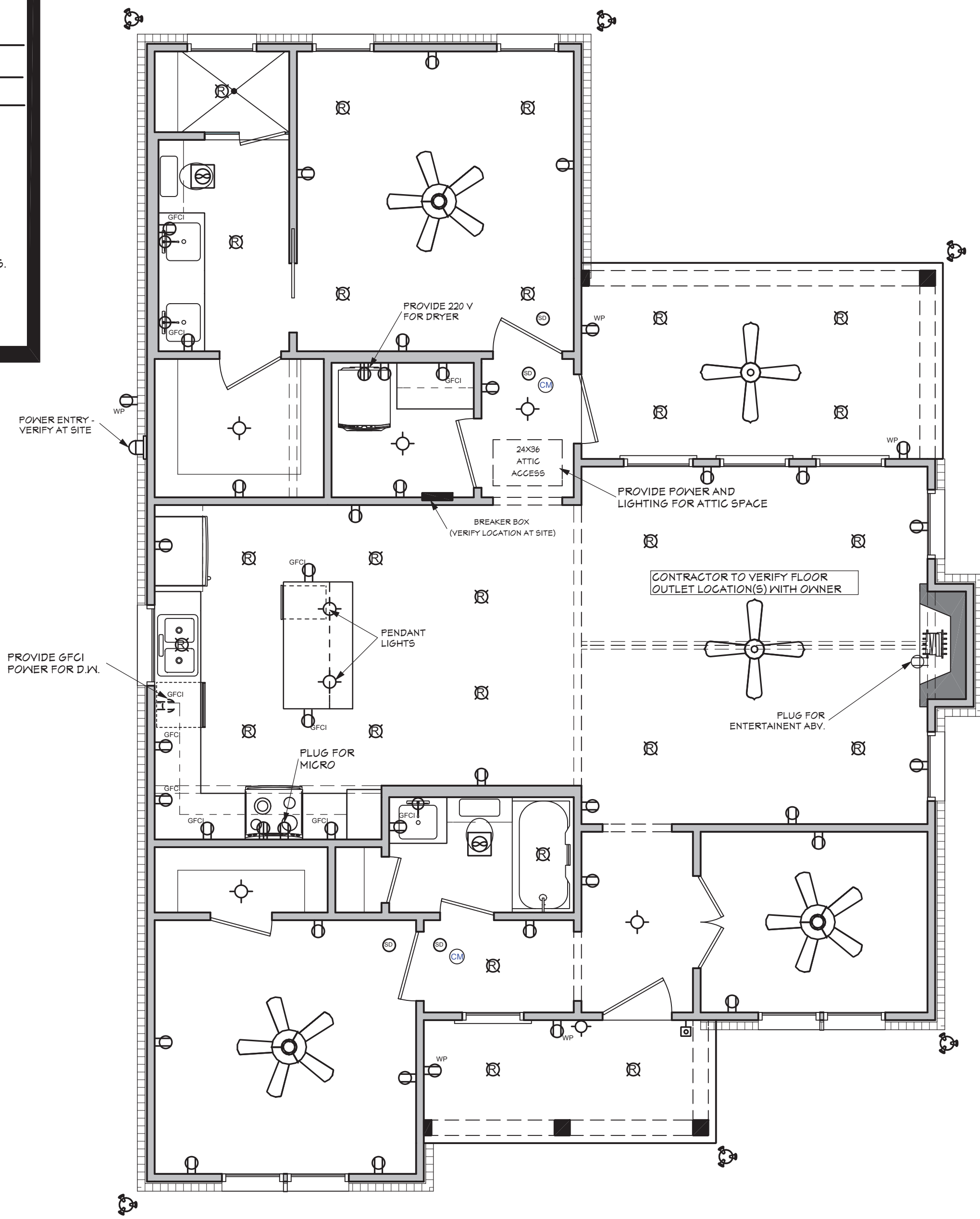
ELECTRICAL SYMBOLS LEGEND		ELECTRICAL SYMBOLS LEGEND	
SYMBOL	DESCRIPTION	SYMBOL	DESCRIPTION
[Symbol]	110 VOLT OUTLET	[Symbol]	TV SPEAKER
[Symbol]	GROUND FAULT PROTECTED OUTLET	[Symbol]	RADIO SPEAKER
[Symbol]	WEATHERPROOF OUTLET	[Symbol]	CEILING FAN ONLY, NO LIGHT KIT
[Symbol]	220 VOLT RECEPTACLE	[Symbol]	CEILING FAN WITH LIGHT KIT
[Symbol]	FLOOR OUTLET (OWNER TO LOCATE)	[Symbol]	TRACK LIGHTING (OWNER TO LOCATE)
[Symbol]	CEILING HUNG FIXTURE	[Symbol]	WALL SCONCE (OWNER TO LOCATE)
[Symbol]	OVERHANG MOUNTED FLOODLIGHTS	[Symbol]	CHANDELIER 1 (O.T.S.)
[Symbol]	WALL MOUNTED FLOODLIGHTS	[Symbol]	CHANDELIER 2 (O.T.S.)
[Symbol]	RECESSED CEILING FIXTURE	[Symbol]	UNDER COUNTER LIGHTING
[Symbol]	FLUORESCENT LIGHT	[Symbol]	EMERGENCY LIGHTING/ EXIT SIGN
[Symbol]	CARBON MONOXIDE DETECTOR		
[Symbol]	SMOKE DETECTOR		
[Symbol]	SWITCH		
[Symbol]	THREE WAY SWITCH		
[Symbol]	WALL MOUNTED LIGHT		
[Symbol]	DIMMER SWITCH (OWNER TO LOCATE)		
[Symbol]	DOOR ACTIVATED SWITCH		
[Symbol]	WEATHERPROOF OUTLET		
[Symbol]	CATS NETWORKING JACK (OWNER TO LOCATE)		
[Symbol]	TELEPHONE OUTLET (OWNER TO LOCATE)		
[Symbol]	TELEVISION OUTLET (OWNER TO LOCATE)		
[Symbol]	DOORBELL BUTTON (CONTRACTOR TO LOCATE)		
[Symbol]	THERMOSTAT (CONTRACTOR TO LOCATE)		
[Symbol]	CEILING EXHAUST FAN, VENT TO EXTERIOR		

ELECTRICAL NOTES: (2018 IRC)

- ALL WORK SHALL COMPLY WITH ALL CODES APPLICABLE AT SITE.
- SMOKE ALARMS SHALL BE INSTALLED IN THE FOLLOWING LOCATIONS: EACH SLEEPING ROOM, OUTSIDE EACH SEPARATE SLEEPING AREA IN THE IMMEDIATE VICINITY OF THE BEDROOMS, ON EACH ADDITIONAL STORY OF THE DWELLING, INCLUDING BASEMENTS AND HABITABLE ATTICS. WHEN MORE THAN ONE SMOKE ALARM IS REQUIRED TO BE INSTALLED WITHIN A DWELLING THE ALARM DEVICES SHALL BE INTERCONNECTED IN SUCH A MANNER THAT THE ACTUATION OF ONE ALARM WILL ACTIVATE ALL OF THE ALARMS IN THE UNIT. SMOKE ALARMS SHALL BE HARD WIRED WITH A BATTERY BACK UP.
- CARBON MONOXIDE ALARMS SHALL BE INSTALLED OUTSIDE OF EACH SEPARATE SLEEPING AREA IN THE IMMEDIATE VICINITY OF THE BEDROOMS IN DWELLING UNITS WITHIN WHICH FUEL-FIRED APPLIANCES ARE INSTALLED AND IN DWELLING UNITS WITH ATTACHED GARAGES.
- A 125 VOLT, SINGLE PHASE, 15-20 AMPERE RATED RECEPTACLE OUTLET SHALL BE INSTALLED AT AN ACCESSIBLE LOCATION FOR THE SERVICING OF HEATING, AIR CONDITIONING AND REFRIGERATION EQUIPMENT. THE RECEPTACLE SHALL BE LOCATED ON THE SAME LEVEL AND WITHIN 25 FEET OF THE EQUIPMENT. THE RECEPTACLE OUTLET SHALL NOT BE CONNECTED TO THE LOAD SIDE OF THE HVAC EQUIPMENT DISCONNECTING MEANS.

FLOOR PLAN NOTES: (2018 IRC)

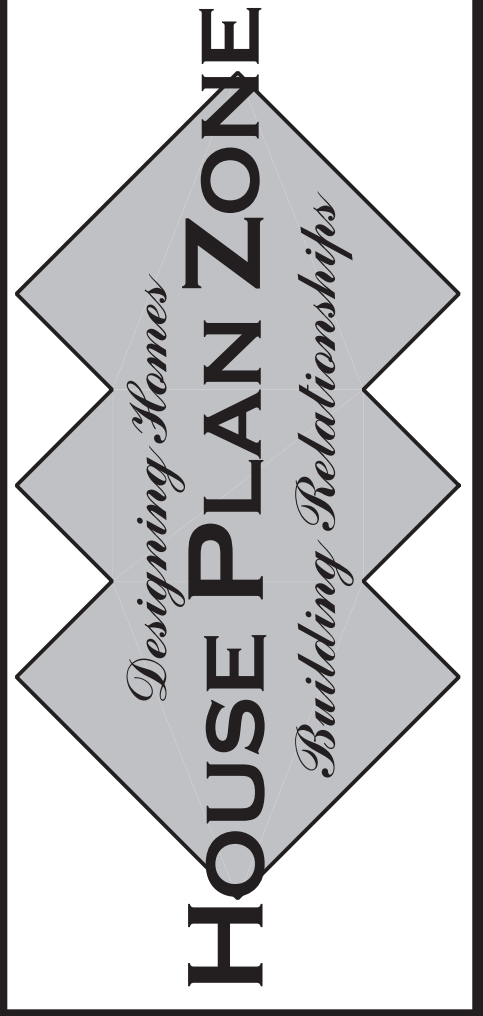
- ALL DIMENSIONS & SITE CONDITIONS TO BE VERIFIED BY CONTRACTOR PRIOR TO CONSTRUCTION.
- ALL EXTERIOR DIMENSIONS ARE TO THE OUTSIDE FACE OF THE STUD AND DO NOT INCLUDE EXTERIOR FINISHES SUCH AS SIDING, BRICK, STUCCO, ETC.
- ALL FINISHES (INTERIOR & EXTERIOR) TO BE VERIFIED WITH OWNER PRIOR TO CONSTRUCTION.
- VERIFY ALL DOOR AND WINDOW STYLES AND SIZES WITH OWNER PRIOR TO CONSTRUCTION. MANUFACTURER TO SUPPLY ALL ROUGH OPENING SIZES.
- CONTRACTOR TO VERIFY ALL CLEARANCES OF ALL DOORS, WINDOWS AND OTHER ITEMS THAT ARE CRITICAL, PRIOR TO CONSTRUCTION.
- CONTRACTOR TO ADAPT PLANS AS REQUIRED TO MEET ALL APPLICABLE CODES AT SITE.
- ALL BEAMS TO BE SIZED BY A LICENSED STRUCTURAL ENGINEER.
- PORCHES, BALCONIES OR RAISED FLOOR SURFACES LOCATED MORE THAN 30 INCHES ABOVE THE FLOOR OR GRADE BELOW AT ANY POINT WITHIN 36 INCHES HORIZONTALLY SHALL HAVE GUARDS NOT LESS THAN 36 INCHES IN HEIGHT. OPEN SIDES OF STAIRS WITH A TOTAL RISE OF MORE THAN 30 INCHES ABOVE THE FLOOR OR GRADE BELOW SHALL HAVE GUARDS NOT LESS THAN 34 INCHES IN HEIGHT MEASURED VERTICALLY FROM THE NOSING OF THE TREADS. INSECT SCREENING SHALL NOT BE CONSIDERED AS A GUARD. IRC 2018, R312.1.1 & R312.1.2
- M1305.1.2 APPLIANCES IN ATTICS. ATTICS CONTAINING APPLIANCES SHALL BE PROVIDED WITH AN OPENING AND A CLEAR AND UNOBSTRUCTED PASSAGEWAY LARGE ENOUGH TO ALLOW REMOVAL OF THE LARGEST APPLIANCE, BUT NOT LESS THAN 30 INCHES HIGH AND 22 INCHES WIDE AND NOT MORE THAN 20 FEET LONG MEASURED ALONG THE CENTERLINE OF THE PASSAGEWAY FROM THE OPENING TO THE APPLIANCE. THE PASSAGEWAY SHALL HAVE CONTINUOUS SOLID FLOORING IN ACCORDANCE WITH CHAPTER 5 NOT LESS THAN 24 INCHES WIDE. A LEVEL SERVICE SPACE AT LEAST 30 INCHES DEEP AND 30 INCHES WIDE SHALL BE PRESENT ALONG ALL SIDES OF THE APPLIANCE WHERE ACCESS IS REQUIRED. THE CLEAR ACCESS OPENING DIMENSIONS SHALL BE A MINIMUM OF 20 INCHES BY 30 INCHES, AND LARGE ENOUGH TO ALLOW REMOVAL OF THE LARGEST APPLIANCE. EXCEPTIONS: (A) THE PASSAGEWAY AND LEVEL SERVICE SPACE ARE NOT REQUIRED WHERE THE APPLIANCE CAN BE SERVICED AND REMOVED THROUGH THE REQUIRED OPENING. (B) WHERE THE PASSAGEWAY IS UNOBSTRUCTED AND NOT LESS THAN 6 FEET HIGH AND 22 INCHES WIDE FOR ITS ENTIRE LENGTH, THE PASSAGEWAY SHALL BE NOT MORE THAN 50 FEET LONG.
- APPLIANCE ACCESS FOR INSPECTION SERVICE, REPAIR AND REPLACEMENT. APPLIANCES SHALL BE ACCESSIBLE FOR INSPECTION, SERVICE, REPAIR AND REPLACEMENT WITHOUT REMOVING PERMANENT CONSTRUCTION, OTHER APPLIANCES, OR ANY OTHER PIPING OR DUCTS NOT CONNECTED TO THE APPLIANCE BEING INSPECTED, SERVICED, REPAIRED OR REPLACED. A LEVEL WORKING SPACE AT LEAST 30 INCHES DEEP AND 30 INCHES WIDE SHALL BE PROVIDED IN FRONT OF THE CONTROL SIDE TO SERVICE AN APPLIANCE. M1305.1.1
- EMERGENCY ESCAPE AND RESCUE OPENINGS SHALL BE OPERATIONAL FROM THE INSIDE OF THE ROOM WITHOUT THE USE OF KEYS, TOOLS OR SPECIAL KNOWLEDGE. WINDOW OPENING CONTROL DEVICES COMPLYING WITH ASTM F 2090 SHALL BE PERMITTED FOR USE ON WINDOWS SERVING AS A REQUIRED EMERGENCY ESCAPE AND RESCUE OPENING. ALL SLEEPING ROOMS TO HAVE AN EXTERIOR ACCESS THROUGH A DOOR OR WINDOW WITH A MINIMUM OF 5.7 SQUARE FEET NET CLEAR OPENING AS PER IRC 2018 R310.2.1. EXCEPTION: GRADE FLOOR OR BELOW GRADE OPENINGS SHALL HAVE A MINIMUM NET CLEAR OPENING OF 5 SQUARE FEET. MAXIMUM SILL HEIGHT TO BE 44 INCHES. MINIMUM NET CLEAR OPENING HEIGHT TO BE 24 INCHES. MINIMUM NET CLEAR OPENING WIDTH TO BE 20 INCHES.
- ALL RETURN AIR GRILLS ARE TO BE LOCATED TO COMPLY WITH SECTION M1602 OF THE IRC 2018.
- ALL SQUARE FOOTAGE MEASUREMENTS ARE APPROXIMATE AND MAY DIFFER FROM ACTUAL CONSTRUCTED RESIDENCE OR BUILDING. FOOTAGES SHOWN ARE TO THE OUTSIDE OF THE STUD/WALL AND DO NOT INCLUDE THE EXTERIOR FINISH MATERIAL SUCH AS SIDING, BRICK, STONE ETC.
- FIRE SPRINKLER SYSTEM TO BE DESIGNED AND INSTALLED (IF REQUIRED BY LOCAL CODES) AS PER THE IRC 2018 AND BY A LICENSED PROFESSIONAL IN THE AREA OF CONSTRUCTION.
- ALL BATHROOM EXHAUST VENTS SHALL BE VENTED DIRECTLY TO THE EXTERIOR OF THE HOME AND NOT INTO THE ATTIC. IRC 2018, M1505.2



ELECTRICAL PLAN

SCALE: 1/4" = 1'-0"

NOTE: SWITCHES AND ELECTRICAL CONNECTIONS ARE NOT SHOWN. OWNER TO LOCATE THESE ITEMS DURING ELECTRICAL WALK-THROUGH WITH ELECTRICAL CONTRACTOR AT SITE.



Website:
www.HPZplans.com

Email:
sales@hpzplans.com

Phone:
601.336.3254

Fax:
1.800.574.1387



JONATHAN L. BOONE
CERTIFICATION NO. 25-137

Pre-Drawn Plan ID:
1254-S

Date:
2.09.21

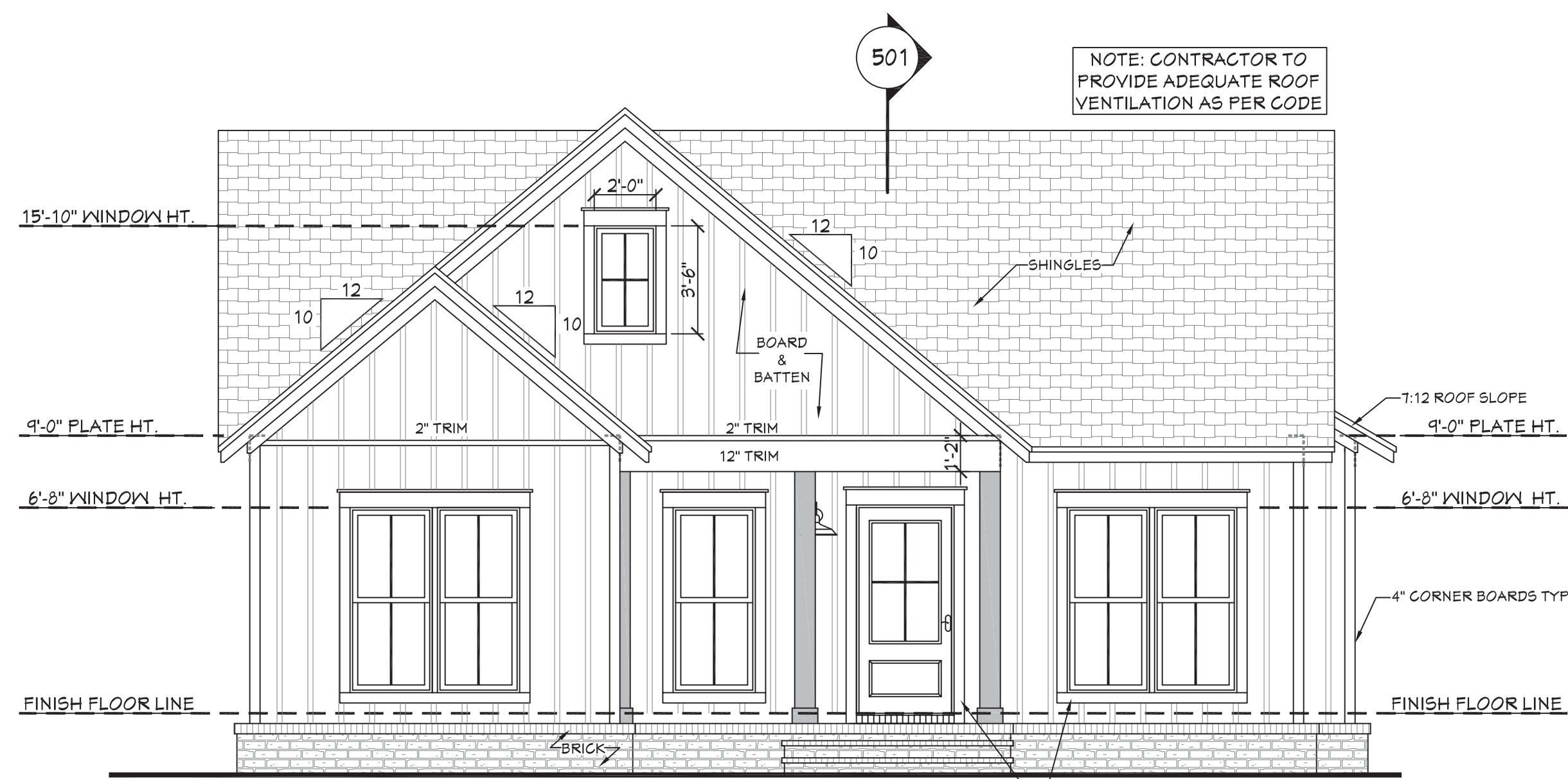
Drawn By:
C.A.B.

© COPYRIGHT
HOUSE PLAN ZONE, LLC
ALL RIGHTS RESERVED

SHEET NUMBER

3

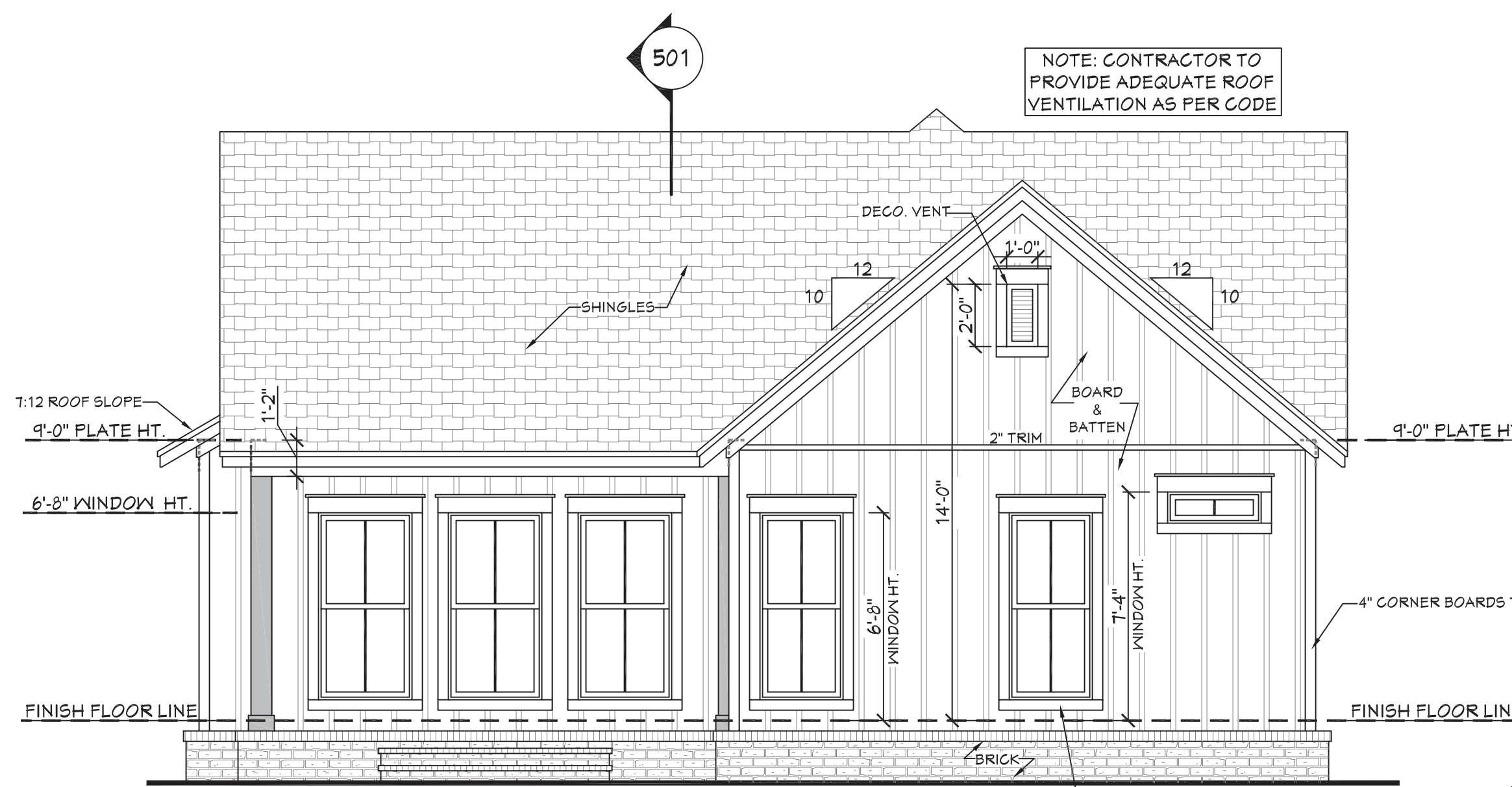
House Plan Zone, LLC has exercised great care and effort in the development of these plans and the completion of these construction documents. However, the user assumes all responsibility for any errors, omissions or deficiencies in the design. House Plan Zone, LLC highly recommends that these plans be reviewed by a licensed structural engineer in the area of construction. Other special conditions required by local building codes. All dimensions to be verified on site prior to construction. If a foundation plan has been included in these plans, it is general in nature and shall be verified by a licensed engineer prior to construction.



401

FRONT VIEW

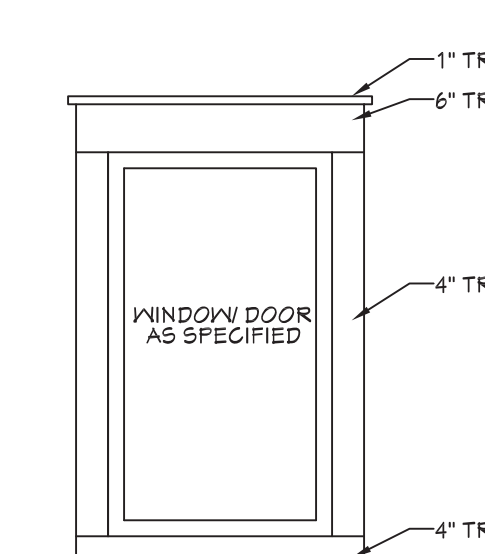
SCALE----- 1/4" = 1'-0"



402

REAR VIEW

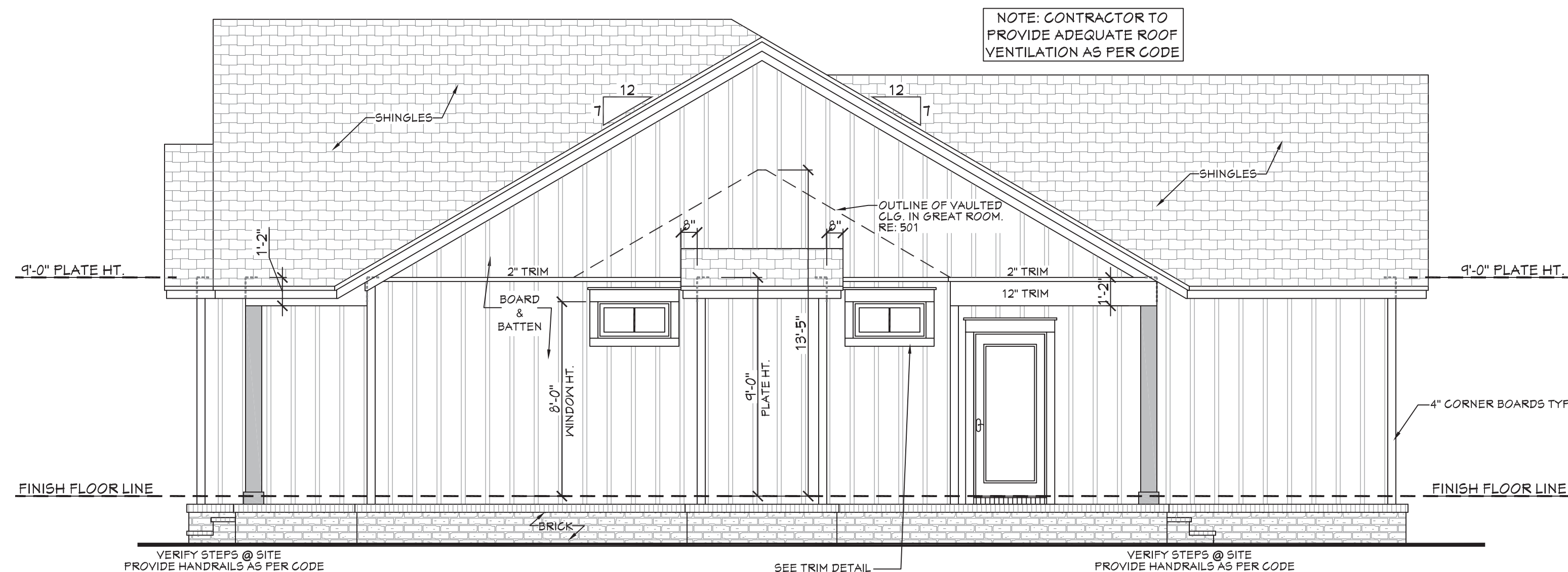
SCALE----- 1/4" = 1'-0"



405

TYPICAL TRIM DETAIL

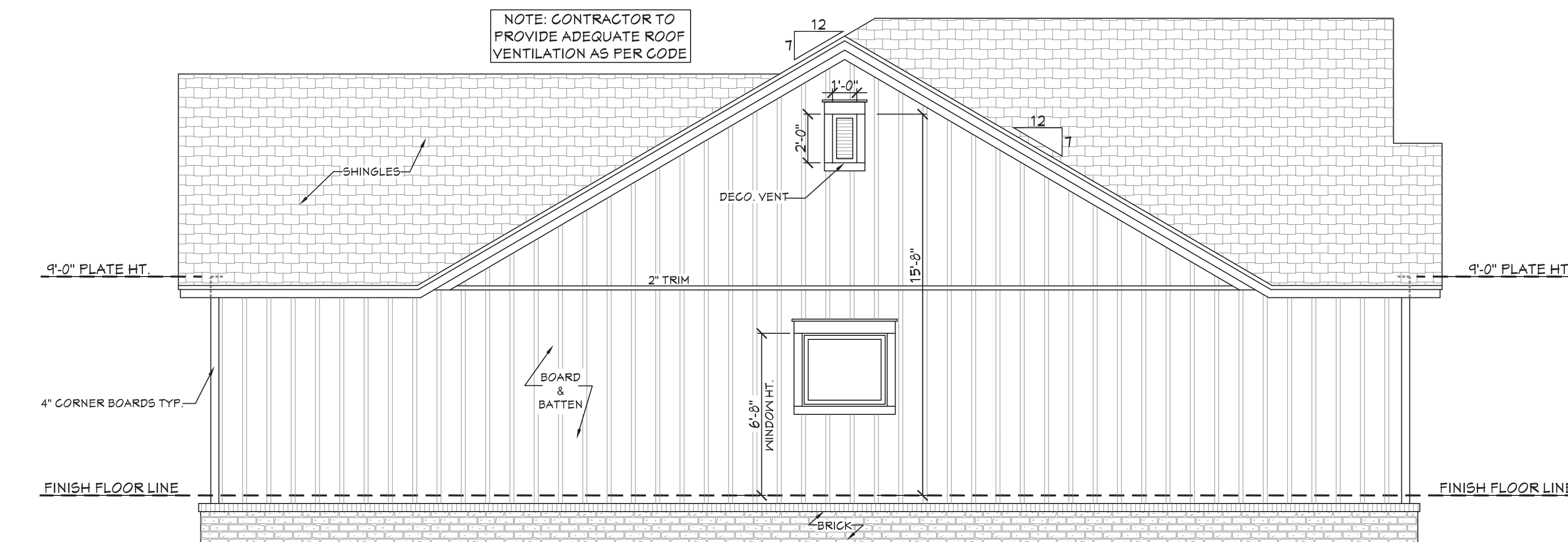
SCALE----- 1/2" = 1'-0"



403

RIGHT VIEW

SCALE----- 1/4" = 1'-0"

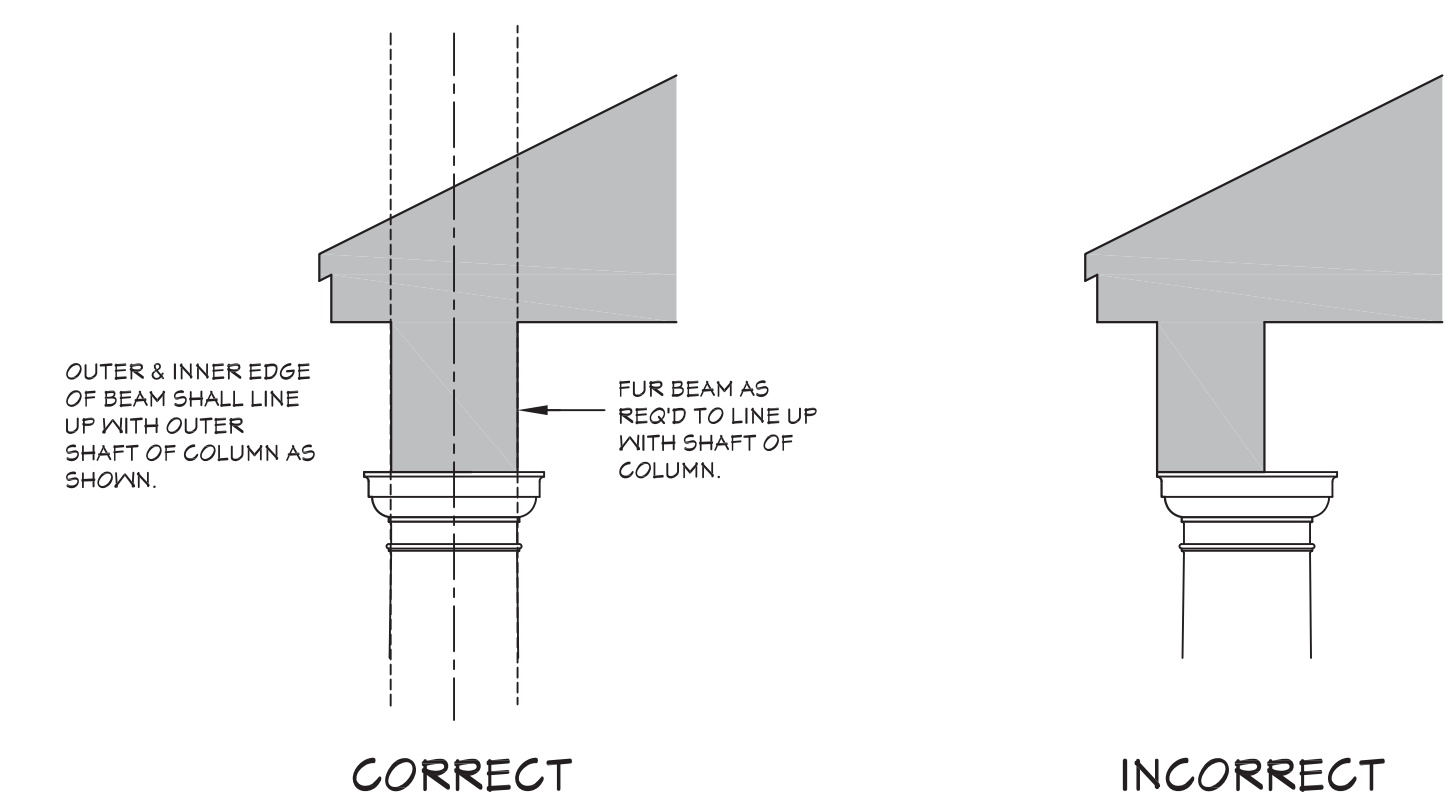


404

LEFT VIEW

SCALE----- 1/4" = 1'-0"

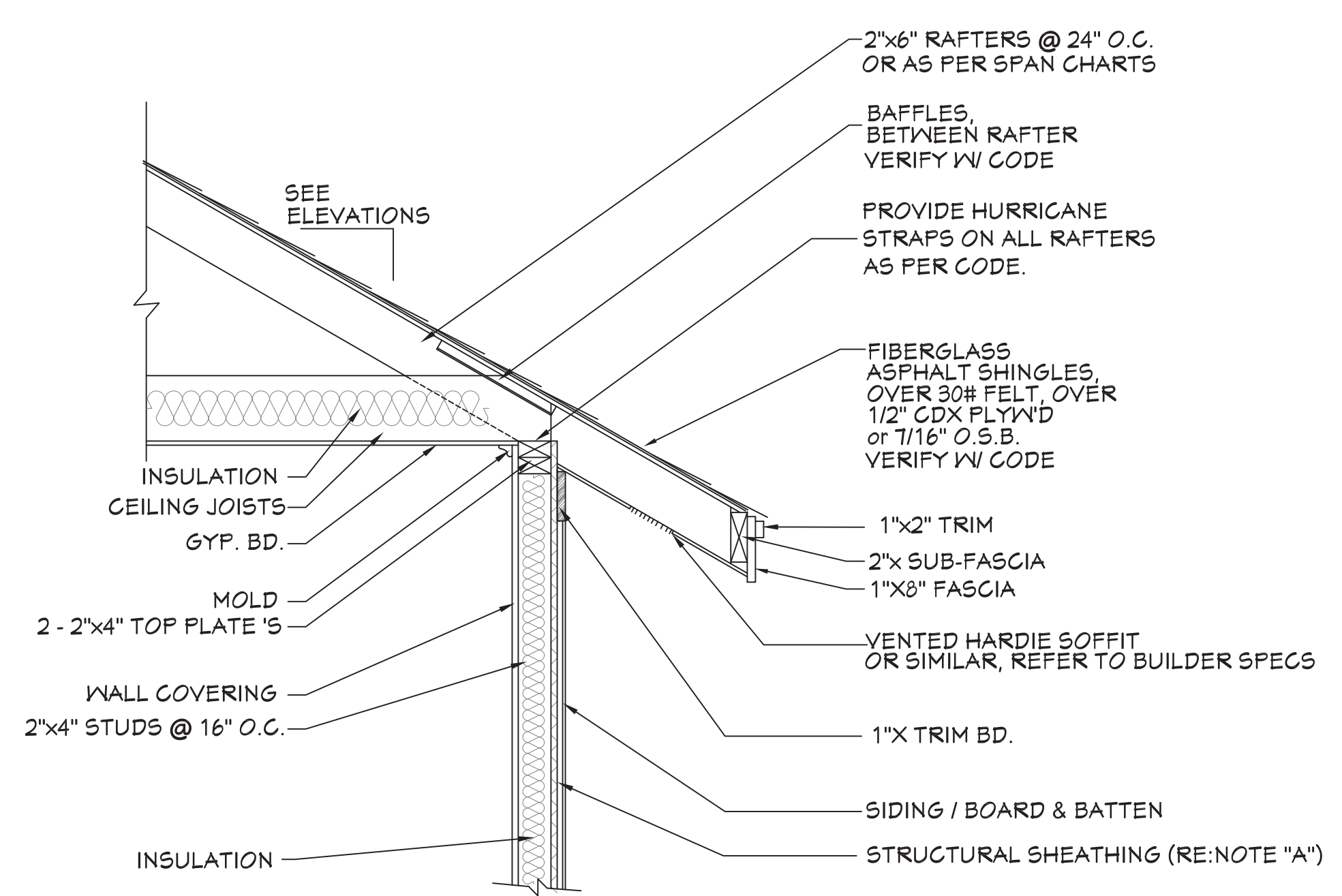
- EXTERIOR ELEVATION NOTES:**
1. CONTRACTOR TO VERIFY ALL WINDOW AND DOOR STYLES AND SIZES WITH OWNER PRIOR TO CONSTRUCTION.
 2. PROVIDE STEPS AND GUARD RAILS AS PER CODE BASED ON SITE CONDITIONS.
 3. GROUND LINES SHOWN FOR REFERENCE ONLY AND VARY DEPENDING ON SITE CONDITIONS.
 4. ALL FINISH MATERIALS TO BE VERIFIED WITH OWNER PRIOR TO CONSTRUCTION.
 5. REFER TO TYPICAL WALL DETAIL FOR FRAMING METHODS AND OTHER MISC. INFORMATION.
 6. CONTRACTOR TO PROVIDE ADEQUATE ROOF VENTILATION AS REQ'D BY CURRENT CODES.



406

COLUMN/ BEAM LOCATIONS

SCALE----- N.T.S.

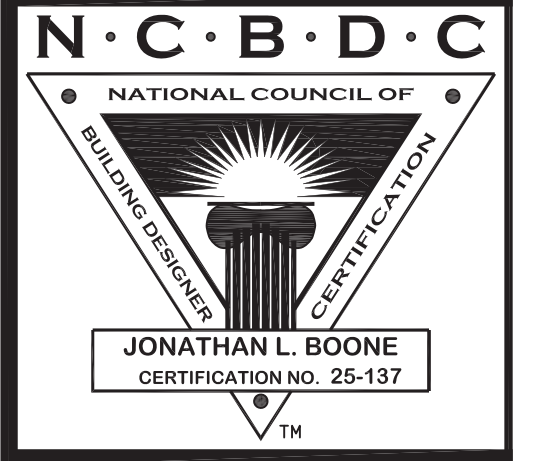


407

TYP. CORNICE DETAIL

SCALE----- 3/4" = 1'-0"

Website:
www.HPZplans.com
 Email:
sales@hpzplans.com
 Phone:
 601.336.3254
 Fax:
 1.800.574.1387



Pre-Drawn Plan ID:
1254-S

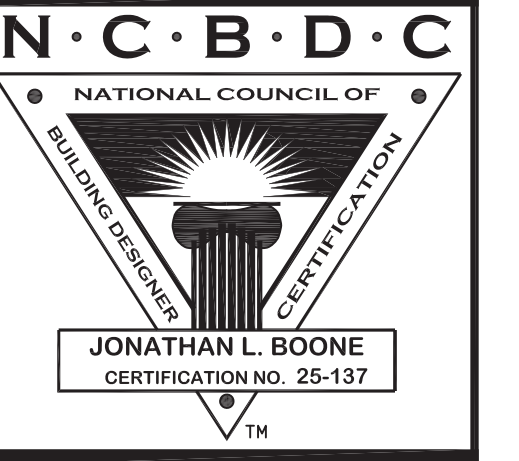
House Plan Zone, LLC has exercised great care and effort in the development of these plans and the completion of these construction documents. However, the contractor is responsible for verifying all dimensions, materials, and specifications on the job site. House Plan Zone, LLC is not responsible for any damages, including structural failures resulting from errors, omissions or deficiencies in the design. House Plan Zone, LLC highly recommends that these plans be reviewed by a licensed structural engineer in the area of construction. Other special conditions may apply to these plans. All dimensions shall be verified on site prior to construction. If a foundation plan has been included in these plans, it is general in nature and shall be verified by a licensed engineer prior to construction.

Date: 2.09.21
 Drawn By: C.A.B.

© COPYRIGHT
 HOUSE PLAN ZONE, LLC
 ALL RIGHTS RESERVED

SHEET NUMBER
4

Website:
www.HFZplans.com
 Email:
sales@hfpzplans.com
 Phone:
 601.336.3254
 Fax:
 1.800.574.1387



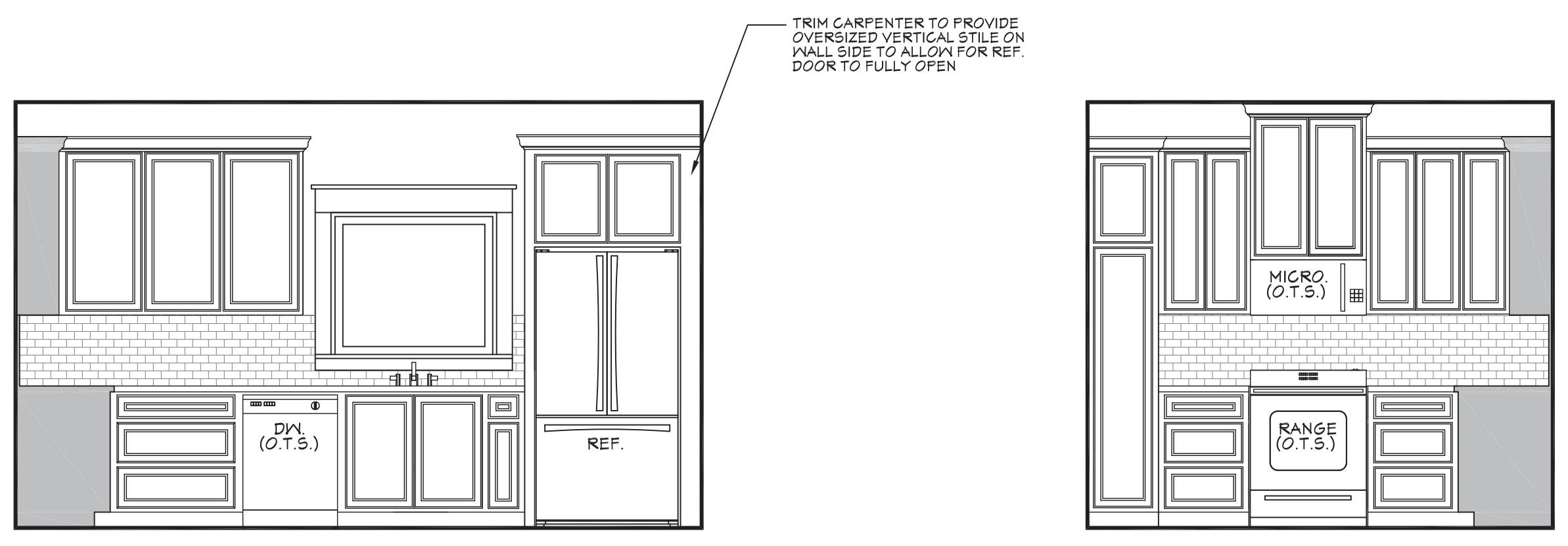
Pre-Drawn Plan ID:
1254-S

House Plan Zone, LLC has exercised great care and effort in the development of these plans and the completion of these construction documents. However, the user assumes full responsibility for any damages, including structural failures resulting from errors, omissions or deficiencies in the design. House Plan Zone, LLC highly recommends that these plans be reviewed by a licensed structural engineer in the area of construction. Other special conditions required by local building codes. All dimensions to be verified on site prior to construction. If a foundation plan has been included in these plans, it is general in nature and shall be verified by a licensed engineer prior to construction.

Date: 02.09.21
 Drawn By: C.A.B.

© COPYRIGHT
 HOUSE PLAN ZONE, LLC
 ALL RIGHTS RESERVED

SHEET NUMBER
5



502 **KITCHEN**
 SCALE----- 3/8" = 1'-0"

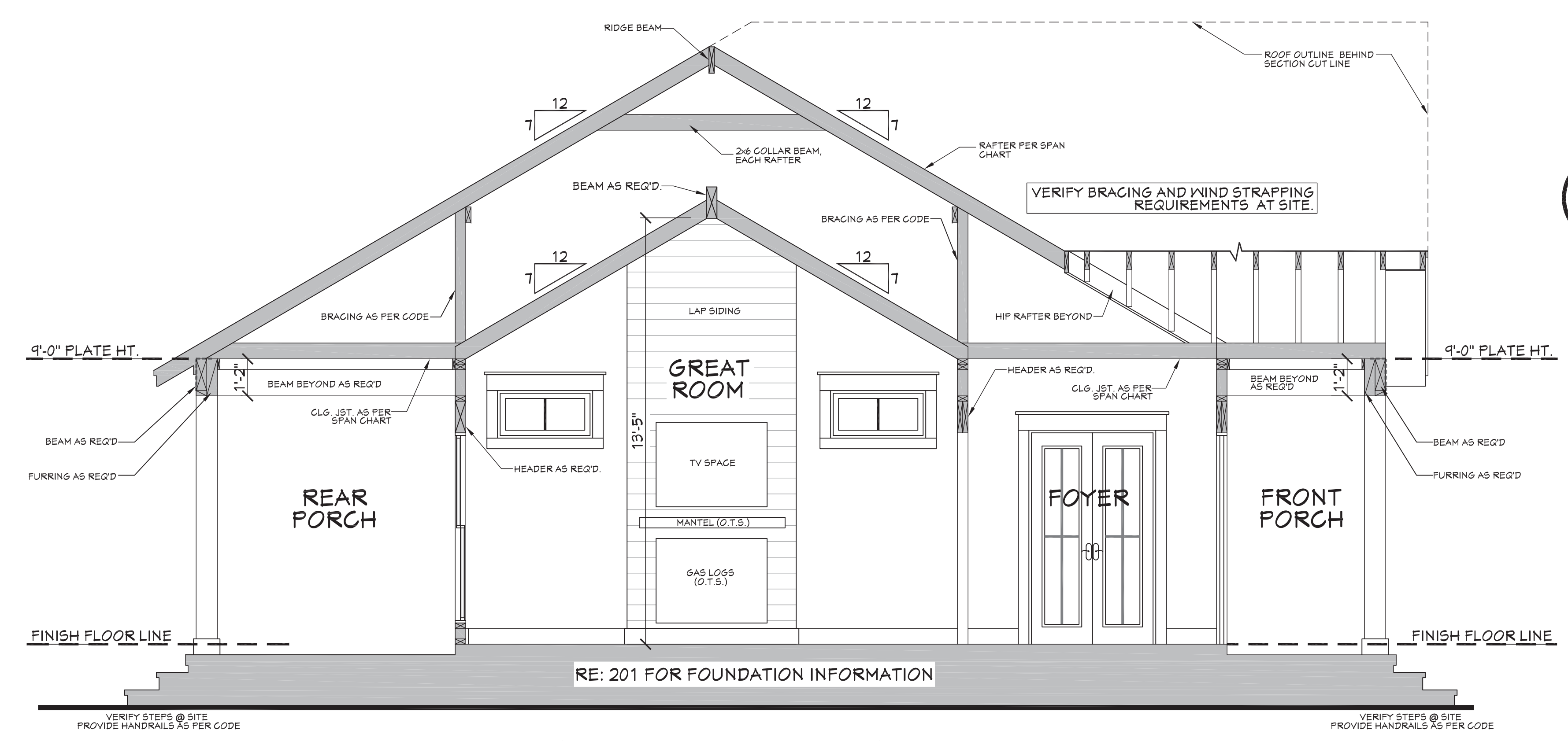
503 **KITCHEN**
 SCALE----- 3/8" = 1'-0"



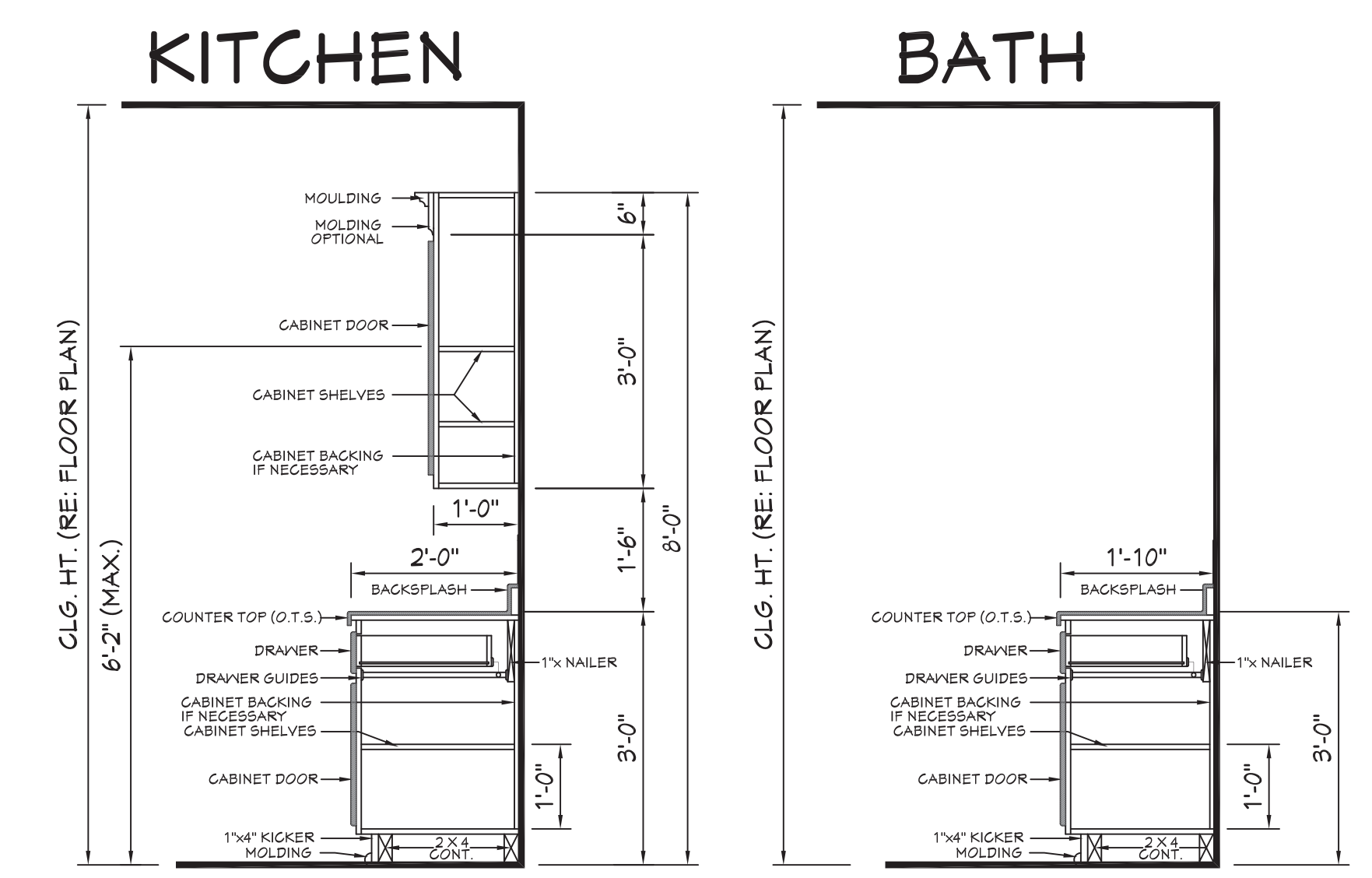
504 **KITCHEN**
 SCALE----- 3/8" = 1'-0"

505 **KITCHEN**
 SCALE----- 3/8" = 1'-0"

- CROSS SECTION NOTES:**
1. CONTRACTOR SHALL COMPLY WITH ALL APPLICABLE CODES AT SITE.
 2. ALL RIDGE BEAMS, HIP RAFTERS, & VALLEY RAFTERS TO BE 2" x 10", OR AS REQUIRED BY LOCAL ENGINEER.
 3. CONTRACTOR TO PROVIDE RAFTER BRACING TO MEET APPLICABLE CODES.
 4. CONTRACTOR TO THOROUGHLY WATERPROOF ALL EXTERIOR INTERSECTIONS AS PER CODE AND TYPICAL BUILDING PRACTICES.
 5. ALL BEAMS TO BE SIZED BY A LOCAL PROFESSIONAL OR LICENSED STRUCTURAL ENGINEER.
 6. ALL LUMBER SIZES AND SPACING TO BE VERIFIED BY CONTRACTOR PRIOR TO CONSTRUCTION.
 7. CONTRACTOR TO PROVIDE ADEQUATE ROOF VENTILATION AS REQ'D. BY CURRENT CODES.



501 **CROSS SECTION**
 SCALE----- 3/8" = 1'-0"



506 **TYP. CABINET SECTIONS**
 SCALE----- N.T.S.

CEILING JOIST SPANS

CEILING JOIST SPANS FOR SOUTHERN PINE SPECIES
(UNINHABITABLE ATTICS WITH LIMITED STORAGE,
LIVE LOAD = 20psf, L/A=240) DEAD LOAD = 10psf)

***IF HABITABLE ATTIC SPACE IS DESIRED,
REFER TO THE INTERNATIONAL RESIDENTIAL CODE, SPAN TABLES.***

SIZE	SPACING (INCHES)	VISUALLY GRADED #2 SOUTHERN PINE (MAXIMUM CEILING JOIST SPANS) (FT. - IN.)
2 x 4	12.0	9-3
	16.0	8-0
	19.2	7-4
	24.0	6-7
2 x 6	12.0	13-11
	16.0	12-0
	19.2	11-0
	24.0	9-10
2 x 8	12.0	17-7
	16.0	15-3
	19.2	13-11
	24.0	12-6
2 x 10	12.0	20-11
	16.0	18-1
	19.2	16-6
	24.0	14-4

NOTES:
The above tables are based on the IRC 2018 TABLE R802.5.1(2)

HIP/VALLEY CONVERSION

IF COMMON RAFTER ROOF PITCH IS:

RISE/RUN	SLOPE	THEN HIP/VALLEY RAFTER ROOF PITCH BECOMES:
1/12	5°	1/11 3°
2/12	10°	2/11 7°
3/12	14°	3/11 10°
4/12	18°	4/11 13°
5/12	23°	5/11 16°
6/12	27°	6/11 19°
7/12	30°	7/11 22°
8/12	34°	8/11 25°
9/12	37°	9/11 28°
10/12	40°	10/11 30°
11/12	42°	11/11 33°
12/12	45°	12/11 35°

CONVERSION CHART FOR SIMPLE ROOFS ONLY.
CHART DOES NOT APPLY FOR DUAL PITCH ROOFS.

RAFTER LENGTH CHART

ROOF PITCH	FACTOR
3/12	1.05
4/12	1.07
5/12	1.10
6/12	1.14
7/12	1.17
8/12	1.20
9/12	1.25
10/12	1.30
11/12	1.35
12/12	1.40
14/12	1.54
16/12	1.70

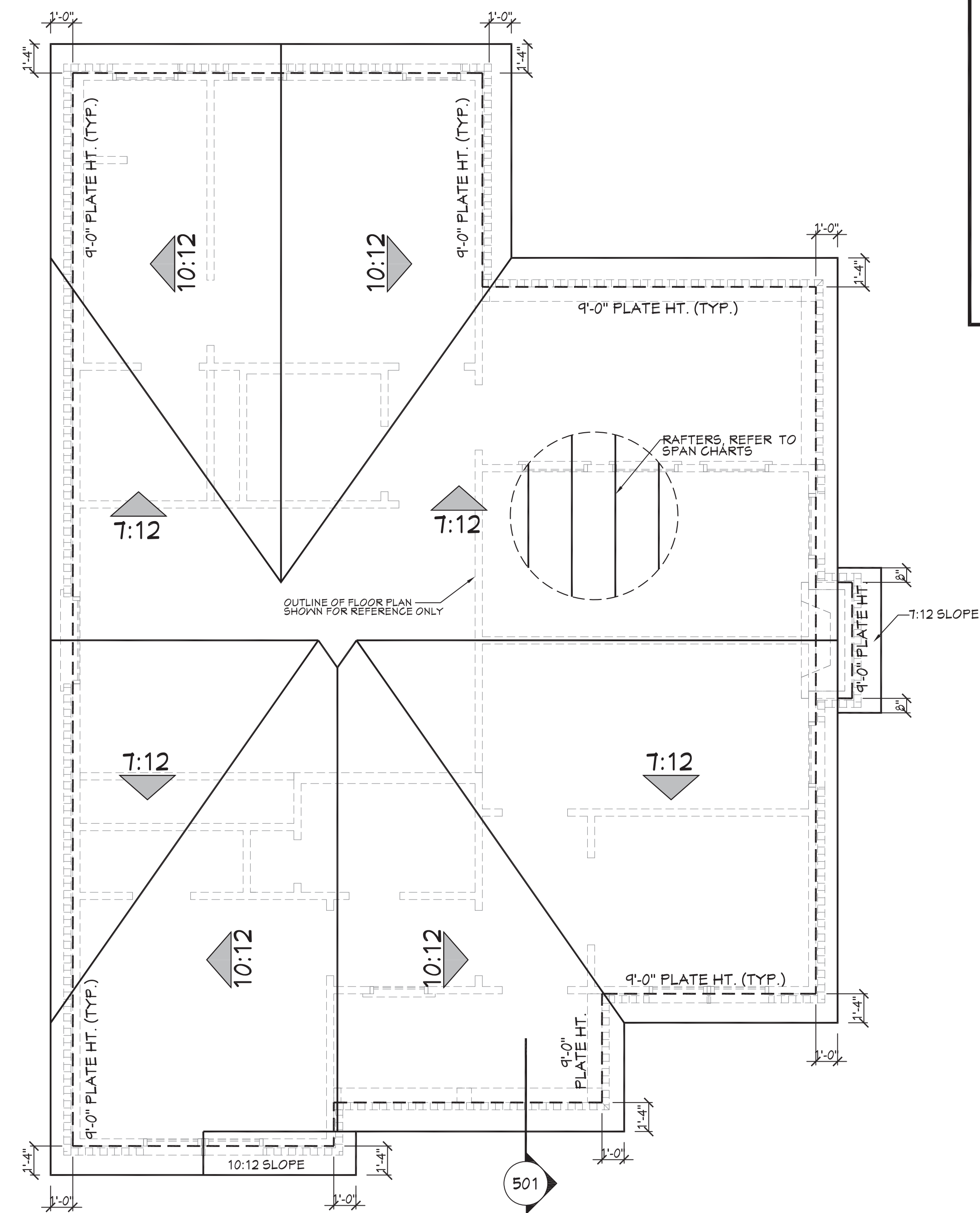
MULTIPLY HORIZONTAL SPAN OF MEMBER BY FACTOR.
CHOOSE APPROPRIATE FACTOR BY ROOF PITCH.

RAFTER SPANS

RAFTER SPANS FOR SOUTHERN PINE SPECIES
LIVE LOAD=30psf, L/A=180 DEAD LOAD = 10psf

SIZE	SPACING (INCHES)	SPANS (MAXIMUM RAFTER SPANS BETWEEN BRACING) (FT. - IN.)
2 x 6	12.0	12-11
	16.0	11-2
	19.2	10-2
	24.0	9-2
2 x 8	12.0	16-4
	16.0	14-2
	19.2	12-11
	24.0	11-7
2 x 10	12.0	19-5
	16.0	16-10
	19.2	15-4
	24.0	13-9
2 x 12	12.0	22-10
	16.0	19-10
	19.2	18-1
	24.0	16-2

NOTES:
The above tables are based on the IRC 2018 TABLE R802.4.1(3)



601 ROOF PLAN
SCALE----- 1/4" = 1'-0"

ROOF PLAN NOTES:

1. CONTRACTOR SHALL COMPLY WITH ALL APPLICABLE CODES
2. ALL RIDGE BEAMS, HIP RAFTERS, & VALLEY RAFTERS CONTRACTOR TO BE 2" X 10", No.2 S.Y.P. OR AS REQ'D BY ENGINEER.
3. ALL RAFTERS TO BE SIZED AS PER SPAN CHART.
4. CONTRACTOR TO WATERPROOF ALL ROOF INTERSECTIONS AS PER CODE.
5. CONTRACTOR TO VERIFY ALL ROOF PITCHES WITH EXTERIOR ELEVATIONS PRIOR TO CONSTRUCTION.
6. CONTRACTOR TO PROVIDE ADEQUATE ROOF VENTILATION AS PER CODE.

MAXIMUM HEADER SPANS

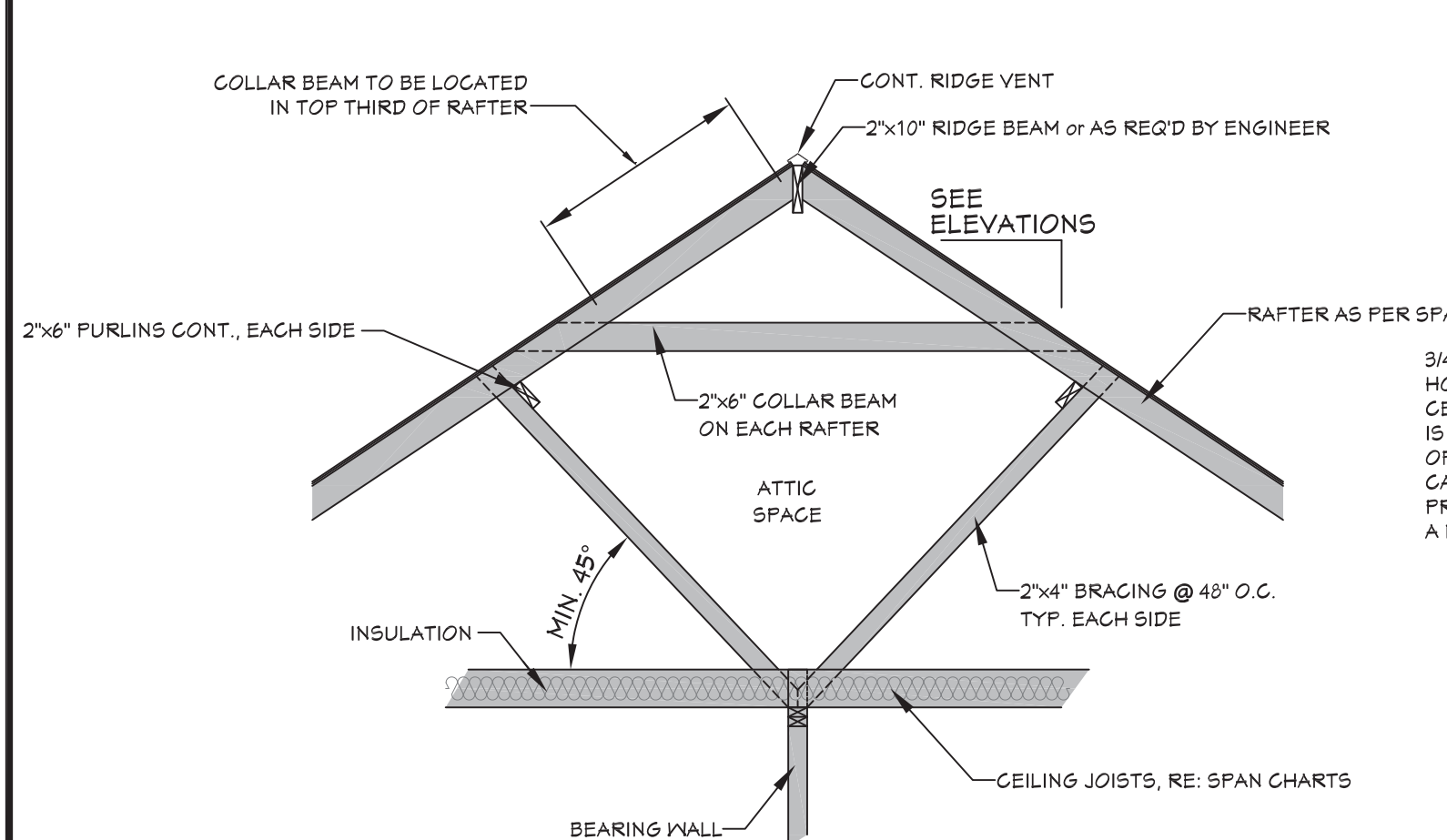
HEADER SPANS FOR EXTERIOR BEARING WALLS
SOUTHERN PINE #2 OR BETTER LIVE LOAD=30psf DEAD LOAD = 10psf

ALL SPANS ARE ASSUMING A MAXIMUM OF 24 FEET OF SUPPORTED ROOF FRAMING.

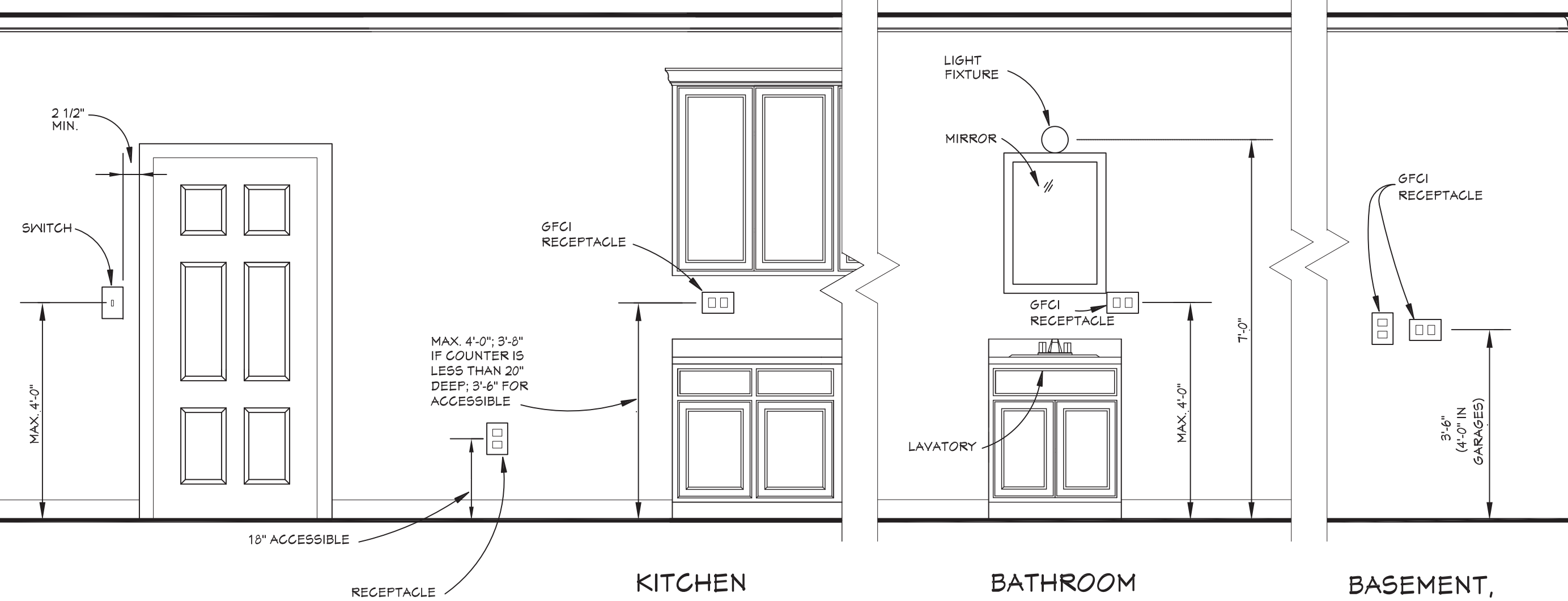
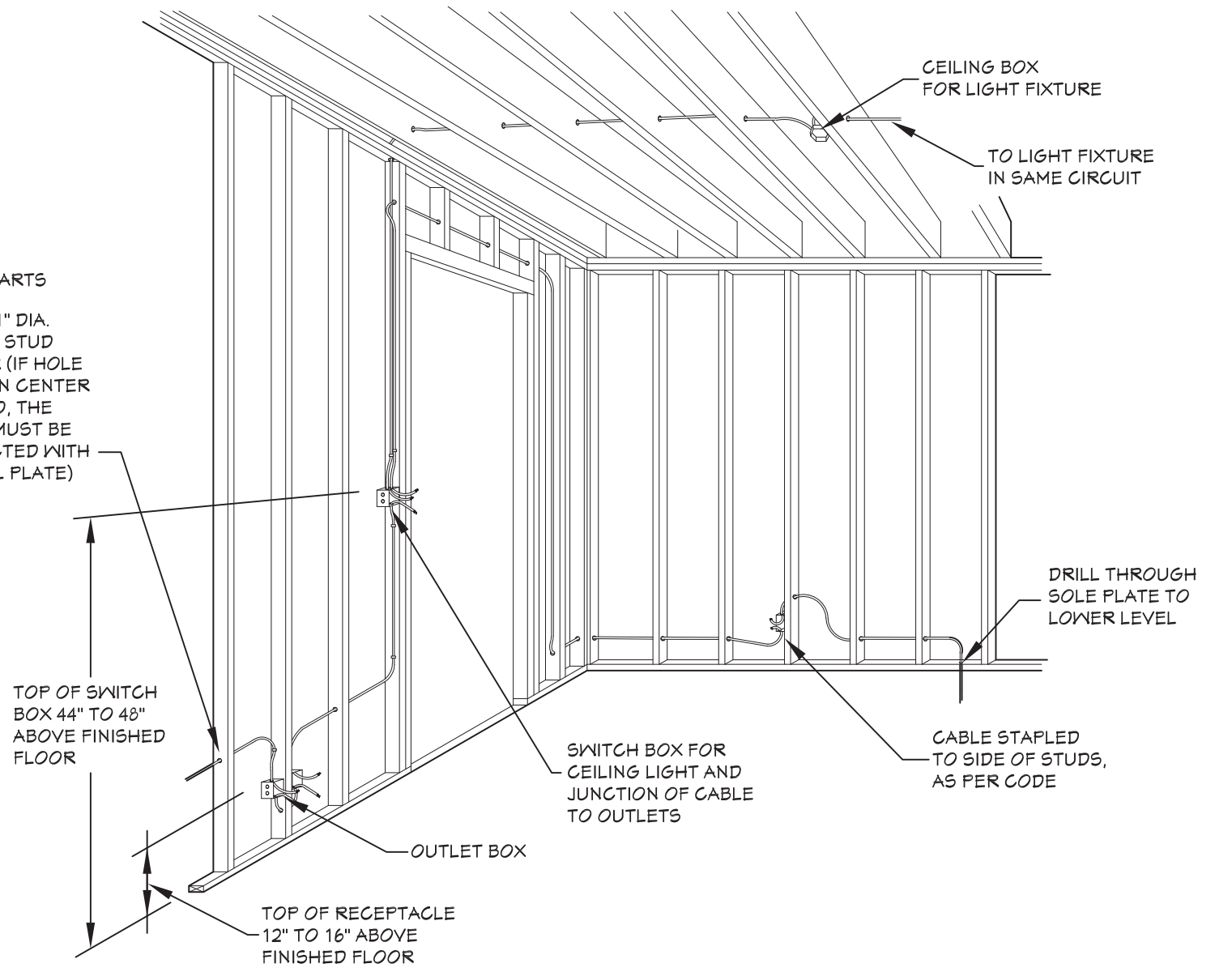
SUPPORTING ROOF AND CEILING ONLY		
SIZE NUMBER OF FLIES IN ()	MAXIMUM SPAN (FEET AND INCHES)	JACK STUDS
(2) 2 x 6	4-7	1
(2) 2 x 8	5-9	1
(2) 2 x 10	6-10	2
(2) 2 x 12	8-1	2
(3) 2 x 8	7-3	1
(3) 2 x 10	8-7	2
(3) 2 x 12	10-1	2

SUPPORTING ROOF, CEILING AND ONE CENTER BEARING FLOOR		
SIZE NUMBER OF FLIES IN ()	MAXIMUM SPAN (FEET AND INCHES)	JACK STUDS
(2) 2 x 10	5-8	2
(2) 2 x 12	6-8	2
(3) 2 x 10	7-2	2
(3) 2 x 12	8-5	2

NOTES:
1. THE ABOVE INFORMATION IS FROM THE 2018 IRC TABLE R602.7(1).
2. PLEASE REFER TO THE IRC 2018 FOR ADDITIONAL LUMBER SPECIES AND HEADER OPTIONS.
3. ALL HEADER SIZES SHALL BE DESIGNED/ VERIFIED BY A LOCAL PROFESSIONAL.



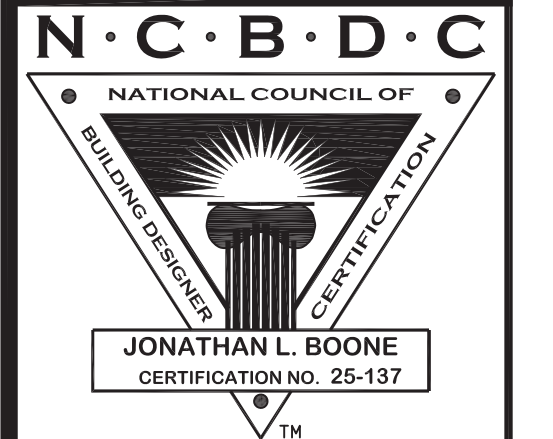
602 TYP. ROOF BRACING
SCALE----- N.T.S.



603 TYP. ELEC. DETAILS
SCALE----- N.T.S.

Designing Homes
HOUSE PLAN ZONE
 Building Relationships

Website:
www.HPZplans.com
Email:
sales@hpzplans.com
Phone:
601.336.3254
Fax:
1.800.574.1387



Pre-Drawn Plan ID:
1254-S

House Plan Zone, LLC has exercised great care and effort in the development of these plans and the completion of these construction documents. However, the user assumes full responsibility for any damages, including structural failures resulting from errors, omissions or deficiencies in the design. House Plan Zone, LLC highly recommends that these plans be reviewed by a licensed structural engineer in the area of construction. Other special conditions may be required by local building codes. All dimensions to be verified on site prior to construction. If a foundation plan has been included in these plans, it is general in nature and shall be verified by a licensed engineer prior to construction.

Date: 2.09.21
Drawn By: C.A.B.

© COPYRIGHT HOUSE PLAN ZONE, LLC ALL RIGHTS RESERVED

SHEET NUMBER
6

R502.5 ALLOWABLE GIRDER AND HEADER SPANS.
THE ALLOWABLE SPANS OF GIRDERS AND HEADERS FABRICATED OF DIMENSION LUMBER SHALL NOT EXCEED THE VALUES SET FORTH IN TABLES R502.7(1), R502.7(2) AND R502.7(3).

R502.6 BEARING.
THE ENDS OF EACH JOIST, BEAM OR GIRDER SHALL HAVE NOT LESS THAN 1/2 INCHES (38 MM) OF BEARING ON WOOD OR METAL, NOT LESS THAN 3 INCHES (76 MM) OF BEARING ON MASONRY OR CONCRETEOR BE SUPPORTED BY APPROVED JOIST HANGERS. ALTERNATIVELY, THE ENDS OF JOISTS SHALL BE SUPPORTED ON A 1-INCH BY 4-INCH (25 MM BY 102 MM) RIBBON STRIP AND SHALL BE NAILED TO THE ADJACENT STUD. THE BEARING ON MASONRY OR CONCRETE SHALL BE DIRECT, OR A SILL PLATE OF 2-INCH-MINIMUM (51 MM) NOMINAL THICKNESS SHALL BE PROVIDED UNDER THE JOIST. BEAM OR GIRDER, THE SILL PLATE SHALL PROVIDE A MINIMUM NOMINAL BEARING AREA OF 48 SQUARE INCHES (30 865 MM²). SEE SECTIONS 502.6.1 THROUGH 502.6.2 FOR FURTHER SPECIFICATIONS.

REFER TO THE IRC FOR FURTHER INFORMATION ON THE FOLLOWING AREAS:

- R502.7 LATERAL RESTRAINT AT SUPPORTS.**
- R502.8 CUTTING, DRILLING AND NOTCHING.**
- R502.9 FASTENING.**
- R502.10 FRAMING OF OPENINGS.**
- R502.11 WOOD TRUSSES.**
- R502.12 DRIFTSTOPPING REQUIRED.**
- R502.13 FIRELOCKING REQUIRED.**

REFER TO THE IRC FOR THE FOLLOWING SECTIONS:

SECTION 603 FLOOR SHEATHING
SECTION 504 PRESSURE PRESERVATIVE TREATED WOOD FLOORS
SECTION 505 COLD-FORMED STEEL FLOOR FRAMING

SECTION R506 CONCRETE FLOORS (ON GROUND)

R506.1 GENERAL.
CONCRETE SLAB-ON-GROUND FLOORS SHALL BE DESIGNED AND CONSTRUCTED IN ACCORDANCE WITH THE PROVISIONS OF THIS SECTION OR AC 332. FLOORS SHALL BE A MINIMUM 3/4 INCHES (89 MM) THICK (FOR EXPANSIVE SOILS, SEE SECTION R403.1.8), THE SPECIFIED COMPRESSIVE STRENGTH OF CONCRETE SHALL BE AS SET FORTH IN SECTION R402.2.

R506.2 SITE PREPARATION.
THE AREA WITHIN THE FOUNDATION WALLS SHALL HAVE ALL VEGETATION, TOP SOIL AND FOREIGN MATERIAL REMOVED.

R506.2.1 FILL.
FILL MATERIAL SHALL BE FREE OF VEGETATION AND FOREIGN MATERIAL. THE FILL SHALL BE COMPACTED TO ENSURE UNIFORM SUPPORT OF THE SLAB, AND EXCEPT WHERE APPROVED, THE FILL DEPTHS SHALL NOT EXCEED 24 INCHES (610 MM) FOR CLEAN SAND OR GRAVEL AND 8 INCHES (203 MM) FOR EARTH.

R506.2.2 BASE.
A 4-INCH-THICK (102 MM) BASE COURSE CONSISTING OF CLEAN GRADED SAND, GRAVEL, CRUSHED STONE, CRUSHED CONCRETE OR CRUSHED BLAST-FURNACE SLAG PASSING A 2 INCH (51 MM) SIEVE SHALL BE PLACED ON THE PREPARED SUBGRADE WHERE THE SLAB IS BELOW GRADE.

NOTE: SEE SECTION 506.2.2 FOR EXCEPTION

R506.2.3 VAPOR RETARDER.
A 6-MIL (0.006 INCH, 152 MM) POLYETHYLENE OR APPROVED VAPOR RETARDER WITH JOINTS LAPPED NOT LESS THAN 6 INCHES (152 MM) SHALL BE PLACED BETWEEN THE CONCRETE FLOOR SLAB AND THE BASE COURSE OR THE PREPARED SUBGRADE WHERE A BASE COURSE DOES NOT EXIST.

NOTE: SEE SECTION R506.2.3 FOR EXCEPTIONS

R506.2.4 REINFORCEMENT SUPPORT.
WHERE PROVIDED IN SLABS-ON-GROUND, REINFORCEMENT SHALL BE SUPPORTED TO REMAIN IN PLACE FROM THE CENTER TO UPPER ONE-THIRD OF THE SLAB FOR THE DURATION OF THE CONCRETE PLACEMENT.

SECTION R507 DECKS

R507.1 DECKS.
WOOD-FRAMED DECKS SHALL BE IN ACCORDANCE WITH THIS SECTION. FOR DECKS USING MATERIALS AND CONDITIONS NOT PRESCRIBED IN THIS SECTIONS, REFER TO SECTION R301.

R507.2 MATERIALS.
MATERIALS USED FOR THE CONSTRUCTION OF DECKS SHALL COMPLY WITH THIS SECTION.

R507.1 WOOD MATERIALS.
WOOD MATERIALS SHALL BE NO. 2 GRADE OR BETTER LUMBER. PRESERVATIVE-TREATED IN ACCORDANCE WITH SECTION R317, OR APPROVED, NATURALLY DURABLE LUMBER, AND TERMITE PROTECTED WHERE REQUIRED IN ACCORDANCE WITH SECTION R318, WHERE DESIGN IN ACCORDANCE WITH SECTION R301 IS PROVIDED. WOOD STRUCTURAL MEMBERS SHALL BE DESIGNED USING THE WET SERVICE FACTOR DEFINED IN AWC NDS. CUTS, NOTCHES, AND DRILLED HOLES OF PRESERVATIVE TREATED WOOD MEMBERS SHALL BE TREATED IN ACCORDANCE WITH SECTION R317.1.1. ALL PRESERVATIVE-TREATED WOOD PRODUCTS IN CONTACT WITH THE GROUND SHALL BE LABELED FOR SUCH USAGE.

R507.2.1.1 ENGINEERED WOOD PRODUCTS.
ENGINEERED WOOD PRODUCTS SHALL BE IN ACCORDANCE WITH SECTION R502.

R507.2.2 PLASTIC COMPOSITE DECK BOARDS, STAIR TREADS, GUARDS, OR HANDRAILS.
PLASTIC COMPOSITE EXTERIOR DECK BOARDS, STAIR TREADS, GUARDS AND HANDRAILS SHALL COMPLY WITH THE REQUIREMENTS OF ASTM D7032 AND SECTION R507.3. SEE SECTIONS R507.2.2.1 THROUGH R507.2.2.5 AND SECTIONS R507.2.3 THOUGHT R507.2.5 FOR FURTHER SPECIFICATIONS.

R507.2.3 FASTENERS AND CONNECTORS.
METAL FASTENERS AND CONNECTORS USED FOR ALL DECKS SHALL BE IN ACCORDANCE WITH SECTION R317.3 AND TABLE R507.2.3.

R507.3 FOOTINGS
REFER TO THE IRC FOR INFORMATION REGARDING FOOTINGS.

R507.4 DECK POSTS.
FOR SINGLE-LEVEL WOOD-FRAMED DECKS WITH BEAMS SIZED IN ACCORDANCE WITH TABLE R507.5, DECK POST SIZE SHALL BE IN ACCORDANCE WITH TABLE R507.4.

R507.4.1 DECK POST TO FOOTING CONNECTION.
WHERE POSTS BEAR ON CONCRETE FOOTINGS IN ACCORDANCE WITH SECTION R403 AND FIGURE R507.4.1, LATERAL RESTRAINT SHALL BE PROVIDED BY MANUFACTURED CONNECTORS OR A MINIMUM POST EMBEDMENT OF 12 INCHES (305 MM) IN SURROUNDING SOILS OR CONCRETE PIERS. OTHER FOOTING SYSTEMS SHALL BE PERMITTED.

NOTE: SEE SECTION R507.4.1 FOR EXCEPTIONS

R507.5 DECK BEAMS.
MAXIMUM ALLOWABLE SPANS FOR WOOD DECK BEAMS, AS SHOWN IN FIGURE R507.5, SHALL BE IN ACCORDANCE WITH TABLE R507.5. BEAM PLIES SHALL BE FASTENED WITH TWO ROWS OF 100 (3-INCH X 0.128-INCH) NAILS MINIMUM AT 16 INCHES (406 MM) ON CENTER ALONG EACH EDGE. BEAMS SHALL BE PERMITTED TO CANTILEVER AT EACH END UP TO ONE-FOURTH OF THE ALLOWABLE BEAM SPAN. DECK BEAMS OF OTHER MATERIALS SHALL BE PERMITTED WHERE DESIGNED IN ACCORDANCE WITH ACCEPTED ENGINEERING PRACTICES.

R507.7 DECKING.
MAXIMUM ALLOWABLE SPACING FOR JOISTS SUPPORTING DECKING SHALL BE IN ACCORDANCE WITH TABLE R507.7. WOOD DECKING SHALL BE ATTACHED TO EACH SUPPORTING MEMBER WITH NOT LESS THAN TWO 9D THREADED NAILS OR TWO NO. 8 WOOD SCREWS. OTHER APPROVED DECKING OR FASTENER SYSTEMS SHALL BE INSTALLED IN ACCORDANCE WITH THE MANUFACTURER'S INSTALLATION REQUIREMENTS.

R507.8 VERTICAL AND LATERAL SUPPORTS.
WHERE SUPPORTED BY ATTACHMENT TO AN EXTERIOR WALL, DECKS SHALL BE POSITIVELY ANCHORED TO THE PRIMARY STRUCTURE AND DESIGNED FOR BOTH VERTICAL AND LATERAL LOADS. SUCH ATTACHMENT SHALL NOT BE ACCOMPLISHED BY THE USE OF TOENAILS OR NAILS SUBJECT TO WITHDRAWAL. FOR DECKS WITH CANTILEVERED FRAMING MEMBERS, CONNECTION TO EXTERIOR WALLS OR OTHER FRAMING MEMBERS SHALL BE DESIGNED AND CONSTRUCTED TO RESIST UPLIFT RESULTING FROM THE FULL LIVE LOAD SPECIFIED IN TABLE R301.5 ACTING ON THE CANTILEVERED PORTION OF THE DECK, WHERE POSITIVE CONNECTION TO THE PRIMARY BUILDING STRUCTURE CANNOT BE VERIFIED DURING INSPECTION, DECKS SHALL BE SELF-SUPPORTING.

R507.8.1 DECK POST TO DECK FOOTING.
POSTS SHALL BEAR ON FOOTINGS IN ACCORDANCE WITH SECTION R403 AND FIGURE R507.8.1. POSTS SHALL BE RESTRAINED TO PREVENT LATERAL DISPLACEMENT AT THE BOTTOM SUPPORT. SUCH LATERAL RESTRAINT SHALL BE PROVIDED BY MANUFACTURED CONNECTORS INSTALLED IN ACCORDANCE WITH SECTION R507 AND THE MANUFACTURER'S INSTRUCTIONS OR A MINIMUM POST EMBEDMENT OF 12 INCHES (305 MM) IN SURROUNDING SOILS OR CONCRETE PIERS.

CHAPTER 6 :: WALL CONSTRUCTION

SECTION R601 GENERAL

R601.1 APPLICATION.
THE PROVISIONS OF THIS CHAPTER SHALL CONTROL THE DESIGN AND CONSTRUCTION OF WALLS AND PARTITIONS FOR BUILDINGS.

R601.2 REQUIREMENTS.
WALL CONSTRUCTION SHALL BE CAPABLE OF ACCOMMODATING ALL LOADS IMPOSED IN ACCORDANCE WITH SECTION R301 AND OF TRANSMITTING THE RESULTING LOADS TO THE SUPPORTING STRUCTURAL ELEMENTS.

SECTION R602 WOOD WALL FRAMING

R602.1 GENERAL.
WOOD AND WOOD-BASED PRODUCTS USED FOR LOAD SUPPORTING PURPOSES SHALL CONFORM TO THE APPLICABLE PROVISIONS OF THIS SECTION. SEE SECTIONS 602.6.1 THROUGH 502.6.10 FOR FURTHER SPECIFICATIONS.

R602.2 GRADE. STUDS SHALL BE A MINIMUM NO. 3, STANDARD OR STUD GRADE LUMBER.

NOTE: SEE SECTION 506.2.2 FOR EXCEPTION

R602.3 DESIGN AND CONSTRUCTION.
EXTERIOR WALLS OF WOODFRAME CONSTRUCTION SHALL BE DESIGNED AND CONSTRUCTED IN ACCORDANCE WITH THE PROVISIONS OF THIS CHAPTER AND FIGURES R602.3(1) AND R602.3(2), OR IN ACCORDANCE WITH AWC NDS, COMPONENTS OF EXTERIOR WALLS SHALL BE FASTENED IN ACCORDANCE WITH TABLES R602.3(1) THROUGH R602.3(4). WALL SHEATHING SHALL BE FASTENED DIRECTLY TO FRAMING MEMBERS AND, WHERE PLACED ON THE EXTERIOR SIDE OF AN EXTERIOR WALL, SHALL BE CAPABLE OF RESISTING THE WIND PRESSURES LISTED IN TABLE R301.2(2) ADJUSTED FOR HEIGHT AND EXPOSURE USING TABLE R301.2(3) AND SHALL CONFORM TO THE REQUIREMENTS OF TABLE R602.3(3). WALL SHEATHING USED ONLY FOR EXTERIOR WALL COVERING PURPOSES SHALL COMPLY WITH SECTION R703. STUDS SHALL BE CONTINUOUS FROM SUPPORT AT THE SOLE PLATE TO A SUPPORT AT THE TOP PLATE TO RESIST LOADS PERPENDICULAR TO THE WALL. THE SUPPORT SHALL BE FOUNDATION OR FLOOR, CEILING OR ROOF DIAHRAMG OR SHALL BE DESIGNED IN ACCORDANCE WITH ACCEPTED ENGINEERING PRACTICE.

NOTE: SEE SECTION 506.2.3 FOR EXCEPTION

SEE SECTIONS 602.3.1 THROUGH 602.3.5 FOR FURTHER SPECIFICATIONS.

REFER TO THE IRC FOR FURTHER INFORMATION ON THE FOLLOWING AREAS:

R602.4 INTERIOR LOAD-BEARING WALLS.
R602.5 INTERIOR NONBEARING WALLS.
R602.6 DRILLING AND NOTCHING OF STUDS.
R602.7 HEADERS.
R602.8 FIREBLOCKING REQUIRED.
R602.9 CRIPPLE WALLS.

R602.10 WALL BRACING.
BUILDINGS SHALL BE BRACED IN ACCORDANCE WITH THIS SECTION OR, WHEN APPLICABLE, SECTION R602.12, WHERE A BUILDING, OR PORTION THEREOF, DOES NOT COMPLY WITH ONE OR MORE OF THE BRACING REQUIREMENTS IN THIS SECTION, THOSE PORTIONS SHALL BE DESIGNED AND CONSTRUCTED IN ACCORDANCE WITH SECTION R301.1.

REFER TO SECTIONS 602.10.1 THROUGH 602.10.12 FOR BRACED WALL PANELS, DESIGN AND CRITERIA.

REFER TO THE IRC FOR THE FOLLOWING SECTIONS:

SECTION 603 COLD-FORMED STEEL WALL FRAMING
SECTION 604 WOOD STRUCTURAL PANELS
SECTION 605 PARTICLEBOARD
SECTION 606 GENERAL MASONRY CONSTRUCTION
SECTION 607 GLASS UNIT MASONRY
SECTION 608 EXTERIOR CONC. WALL CONSTRUCTION
SECTION 609 (SEE BELOW)
SECTION R610 STRUCTURAL INSULATED PANEL WALL CONSTRUCTION

SECTION R609 EXTERIOR WINDOWS AND DOORS.

R609.1 GENERAL.
THIS SECTION PRESCRIBES PERFORMANCE AND CONSTRUCTION REQUIREMENTS FOR EXTERIOR WINDOWS AND DOORS INSTALLED IN WALLS, WINDOWS AND DOORS SHALL BE INSTALLED AND FLASHED IN ACCORDANCE WITH THE FENESTRATION MANUFACTURER'S WRITTEN INSTRUCTIONS. WINDOW AND DOOR OPENINGS SHALL BE FLASHED IN ACCORDANCE WITH SECTION R703.4. WRITTEN INSTALLATION INSTRUCTIONS SHALL BE PROVIDED BY THE FENESTRATION MANUFACTURER FOR EACH WINDOW OR DOOR.

R609.2 PERFORMANCE. EXTERIOR WINDOWS AND DOORS SHALL BE CAPABLE OF RESISTING THE DESIGN WIND LOADS SPECIFIED IN TABLE R301.2(2) ADJUSTED FOR HEIGHT AND EXPOSURE IN ACCORDANCE WITH TABLE R301.2(3) OR DETERMINED IN ACCORDANCE WITH ASCE 7 USING THE ALLOWABLE STRESS DESIGN LOAD COMBINATIONS OF ASCE 7. FOR EXTERIOR WINDOWS AND DOORS TESTED IN ACCORDANCE WITH SECTIONS R609.3 AND R609.5, REQUIRED DESIGN WIND PRESSURES DETERMINED FROM ASCE 7 USING THE ULTIMATE STRENGTH DESIGN (USD) ARE PERMITTED TO BE MULTIPLIED BY 0.6. DESIGN WIND LOADS FOR EXTERIOR GLAZING NOT PART OF A LABELED ASSEMBLY SHALL BE PERMITTED TO BE DETERMINED IN ACCORDANCE WITH CHAPTER 24 OF THE IRC. DESIGN WIND LOADS FOR EXTERIOR GLAZING NOT PART OF A LABELED ASSEMBLY SHALL BE PERMITTED TO BE DETERMINED IN ACCORDANCE WITH CHAPTER 24 OF THE INTERNATIONAL BUILDING CODE.

R609.4 GARAGE DOORS.
GARAGE DOORS SHALL BE TESTED IN ACCORDANCE WITH EITHER ASTM E330 OR ANSIDASMA 108, AND SHALL MEET THE ACCEPTANCE CRITERIA OF ANSIDASMA 108.

CHAPTER 7 :: INTERIOR COVERING

R702.1 GENERAL.
INTERIOR COVERINGS OR WALL FINISHES SHALL BE INSTALLED IN ACCORDANCE WITH THIS CHAPTER AND TABLE R702.1(1), TABLE R702.1(2), TABLE R702.1(3) AND TABLE R702.3.5. INTERIOR MASONRY VENEER SHALL COMPLY WITH THE REQUIREMENTS OF SECTION R703.7.1. FOR SUPPORT AND SECTION R703.7.4 FOR ANCHORAGE, EXCEPT AN AIRSPACE IS NOT REQUIRED. INTERIOR FINISHES AND MATERIALS SHALL CONFORM TO THE FLAME SPREAD AND SMOKE DEVELOPMENT REQUIREMENTS OF SECTION R302.9. SEE SECTIONS 702.2 THROUGH 702.7 FOR FURTHER SPECIFICATIONS.

SECTION R703 EXTERIOR COVERING

R703.1 GENERAL.
EXTERIOR WALLS SHALL PROVIDE THE BUILDING WITH A WEATHER-RESISTANT EXTERIOR WALL ENVELOPE. THE EXTERIOR WALL ENVELOPE SHALL INCLUDE FLASHING AS DESCRIBED IN SECTION R703.4.

R703.2 WATER-RESISTIVE BARRIER.
ONE LAYER OF NO. 15 ASPHALT FELT, FREE FROM HOLES AND BREAKS, COMPLYING WITH ASTM D226 FOR TYPE 1 FELT OR OTHER APPROVED WATER-RESISTIVE BARRIER SHALL BE APPLIED OVER STUDS OR SHEATHING OF ALL EXTERIOR WALLS. NO. 15 ASPHALT FELT SHALL BE APPLIED HORIZONTALLY WITH THE UPPER LAYER LAPPED OVER THE LOWER LAYER NOT LESS THAN 2 INCHES (51 MM), WHERE JOINTS OCCUR, FELT SHALL BE LAPPED NOT LESS THAN 6 INCHES (152 MM). OTHER APPROVED MATERIALS SHALL BE INSTALLED IN ACCORDANCE WITH THE WATER-RESISTIVE BARRIER MANUFACTURER'S INSTALLATION INSTRUCTIONS. NO. 15 ASPHALT FELT OR OTHER APPROVED WATER-RESISTIVE BARRIER MATERIAL SHALL BE CONTINUOUS TO THE TOP OF WALLS AND TERMINATED AT PENETRATIONS AND BUILDING APPENDAGES IN A MANNER TO MEET THE REQUIREMENTS OF THE EXTERIOR WALL ENVELOPE AS DESCRIBED IN SECTION R703.1.

R703.3.3 FASTENERS.
EXTERIOR WALL COVERINGS AND ROOF OVERHANG SOFFITS SHALL BE SECURELY FASTENED WITH ALUMINUM, GALVANIZED, STAINLESS STEEL OR RUST-PREVENTATIVE COATED NAILS OR STAPLES IN ACCORDANCE WITH TABLE R703.3(1) OR WITH OTHER APPROVED CORROSION-RESISTANT FASTENERS IN ACCORDANCE WITH THE WALL COVERING MANUFACTURER'S INSTALLATION INSTRUCTIONS. NAILS AND STAPLES SHALL COMPLY WITH ASTM F1667. NAILS SHALL BE T-HEAD, MODIFIED ROUND HEAD, OR ROUND HEAD WITH SMOOTH OR DEFORMED SHANKS. STAPLES SHALL HAVE A MINIMUM CROWN WIDTH OF 7/16 INCH (11.1 MM) OUTSIDE DIAMETER AND BE MANUFACTURED OF MINIMUM 16-GAGE WIRE. WHERE FIBERGLASS GYPSUM OR FOAM PLASTIC SHEATHING BACKING IS USED, NAILS OR STAPLES SHALL BE DRIVEN INTO THE STUDS. WHERE WOOD OR WOOD STRUCTURAL PANEL SHEATHING IS USED, FASTENERS SHALL BE DRIVEN INTO STUDS UNLESS OTHERWISE PERMITTED TO BE DRIVEN INTO SHEATHING IN ACCORDANCE WITH EITHER THE SIDING MANUFACTURER'S INSTALLATION INSTRUCTIONS OR TABLE R703.3.2.

R703.4 FLASHING.
APPROVED CORROSION-RESISTANT FLASHING SHALL BE APPLIED SHINGLE-FASHION IN A MANNER TO PREVENT ENTRY OF WATER INTO THE WALL CAVITY OR PENETRATION OF WATER TO THE BUILDING STRUCTURE OR INTERIORS. FLASHING SHALL BE SELF-ADHERED MEMBRANES USED AS FLASHING SHALL COMPLY WITH AAMA 714. FLUID-APPLIED MEMBRANES USED AS FLASHING IN EXTERIOR WALLS SHALL COMPLY WITH AAMA 714. THE FLASHING SHALL EXTEND TO THE SURFACE OF THE EXTERIOR WALL FINISH. APPROVED CORROSION-RESISTANT FLASHINGS SHALL BE INSTALLED AT THE FOLLOWING LOCATIONS:

1. EXTERIOR WINDOW AND DOOR OPENINGS. FLASHING AT EXTERIOR WINDOW AND DOOR OPENINGS SHALL EXTEND TO THE SURFACE OF THE EXTERIOR WALL FINISH OR TO THE WATER-RESISTIVE BARRIER COMPLYING WITH SECTION 703.2 FOR SUBSEQUENT DRAINAGE. MECHANICALLY ATTACHED FLEXIBLE FLASHINGS SHALL COMPLY WITH AAMA 712. FLASHING AT EXTERIOR WINDOW AND DOOR OPENINGS SHALL BE INSTALLED IN ACCORDANCE WITH ONE OR MORE OF THE FOLLOWING:

REFER TO SECTION 1.1 THROUGH 1.3 FOR FURTHER SPECIFICATIONS.

REFER TO THE IRC FOR FURTHER INFORMATION ON THE FOLLOWING AREAS:

- R703.5 WOOD, HARDBOARD AND WOOD STRUCTURAL PANEL SIDING.**
- R703.6 WOOD SHAKES AND SHINGLES.**
- R703.7 EXTERIOR PLASTER.**
- R703.8 ANCHORED STONE AND MASONRY VENEER, GENERAL.**
- R703.9 EXTERIOR INSULATION AND FINISH SYSTEM (EIFS)/EIFS WITH DRAINAGE.**
- R703.10 FIBER CEMENT SIDING.**
- R703.11 VINYL SIDING.**
- R703.12 ADHERED MASONRY VENEER INSTALLATION.**
- R703.13 INSULATED VINYL SIDING.**
- R703.14 POLYPROPYLENE SIDING.**
- R703.15 CLADDING ATTACHMENT OVER FOAM SHEATHING TO WOOD FRAMING.**
- R703.16 CLADDING ATTACHMENT OVER FOAM SHEATHING TO COLD-FORMED STEEL FRAMING.**
- R703.17 CLADDING ATTACHMENT OVER FOAM SHEATHING TO MASONRY OR CONCRETE WALL CONSTRUCTION.**

CHAPTER 8 :: WOOD ROOF FRAMING

R802.1 GENERAL.
WOOD AND WOOD-BASED PRODUCTS USED FOR LOAD SUPPORTING PURPOSES SHALL CONFORM TO THE APPLICABLE PROVISIONS OF THIS SECTION.

SEE SECTIONS 802.1.1 THROUGH 802.1.7 FOR FURTHER SPECIFICATIONS.

R802.2 DESIGN AND CONSTRUCTION.
THE FRAMING DETAILS REQUIRED IN SECTION R802 APPLY TO ROOFS HAVING A MINIMUM SLOPE OF THREE UNITS VERTICAL IN 12 UNITS HORIZONTAL (25-PERCENT SLOPE) OR GREATER. ROOF-CEILINGS SHALL BE DESIGNED AND CONSTRUCTED IN ACCORDANCE WITH THE PROVISIONS OF THIS CHAPTER AND FIGURES R606.11(1), R606.11(2) AND R606.11(3) OR IN ACCORDANCE WITH AWC NDS. COMPONENTS OF ROOF-CEILINGS SHALL BE FASTENED IN ACCORDANCE WITH TABLE R602.3(1).

R802.3 FRAMING DETAILS.
RAFTERS SHALL BE FRAMED NOT MORE THAN 1 1/2-INCHES (38 MM) OFFSET FROM EACH OTHER TO RIDGE BOARD OR DIRECTLY OPPOSITE FROM EACH OTHER WITH A GUSSET PLATE AS A TIE RIDGE BOARD SHALL BE NOT LESS THAN 1-INCH (25 MM) NOMINAL THICKNESS AND NOT LESS IN DEPTH THAN THE CUT END OF THE RAFTER. AT VALLEYS AND HIPS THERE SHALL BE A VALLEY OR HIP RAFTERNOT LESS THAN 2-INCH (51 MM) NOMINAL THICKNESS AND NOT LESS IN DEPTH THAN THE CUT END OF THE RAFTER. HIP AND VALLEY RAFTERS SHALL BE SUPPORTED AT THE RIDGE BY A BRACE TO A BEARING PARTITION OR BE DESIGNED TO CARRY AND DISTRIBUTE THE SPECIFIC LOAD AT THAT POINT, WHERE THE ROOF PITCH IS LESS THAN THREE UNITS VERTICAL IN 12 UNITS HORIZONTAL (25-PERCENT SLOPE), STRUCTURAL MEMBERS THAT SUPPORT RAFTERS AND CEILING JOISTS, SUCH AS RIDGE BEAMS, HIPS AND VALLEYS, SHALL BE DESIGNED AS BEAMS.

REFER TO THE IRC FOR FURTHER INFORMATION ON THE FOLLOWING AREAS:

- R802.4 ALLOWABLE CEILING JOIST SPANS.**
- R802.5 ALLOWABLE RAFTER SPANS.**
- R802.6 BEARING.**
- R802.7 CUTTING, DRILLING AND NOTCHING.**
- R802.8 LATERAL SUPPORT.**
- R802.9 FRAMING OF OPENINGS.**

R802.10 WOOD TRUSSES.

R802.10.1 TRUSS DESIGN DRAWINGS. TRUSS DESIGN DRAWINGS, PREPARED IN CONFORMANCE TO SECTION R802.10.1, SHALL BE PROVIDED TO THE BUILDING OFFICIAL AND APPROVED PRIOR TO INSTALLATION. TRUSS DESIGN DRAWINGS SHALL BE PROVIDED WITH THE SHIPMENT OF TRUSSES DELIVERED TO THE JOB SITE. TRUSS DESIGN DRAWINGS SHALL INCLUDE, AT A MINIMUM, THE FOLLOWING INFORMATION:

REFER TO SECTION 802.10.1 (1-12 FOR MINIMUM INFORMATION)

R802.10.2 DESIGN.
WOOD TRUSSES SHALL BE DESIGNED IN ACCORDANCE WITH ACCEPTED ENGINEERING PRACTICE. THE DESIGN OF THE MANUFACTURE OF METAL-PLATE-CONNECTED WOOD TRUSSES SHALL COMPLY WITH ANSIT/P1. THE TRUSS DESIGN DRAWINGS SHALL BE PREPARED BY A REGISTERED PROFESSIONAL WHERE REQUIRED BY THE STATUTES OF THE JURISDICTION IN WHICH THE PROJECT IS TO BE CONSTRUCTED IN ACCORDANCE WITH SECTION R106.1.

R802.10.3 BRACING.
TRUSSES SHALL BE BRACED TO PREVENT ROTATION AND PROVIDE LATERAL STABILITY IN ACCORDANCE WITH THE REQUIREMENTS SPECIFIED IN THE CONSTRUCTION DOCUMENTS FOR THE BUILDING AND ON THE INDIVIDUAL TRUSS DESIGN DRAWINGS. IN THE ABSENCE OF SPECIFIC BRACING REQUIREMENTS, TRUSSES SHALL BE BRACED IN ACCORDANCE WITH ACCEPTED INDUSTRY PRACTICE SUCH AS THE SBCA BUILDING COMPONENT SAFETY INFORMATION (BDSI) GUIDE TO GOOD PRACTICE FOR HANDLING, INSTALLING & BRACING OF METAL PLATE CONNECTED WOOD TRUSSES.

R802.10.4 ALTERATIONS TO TRUSSES.
TRUSS MEMBERS SHALL NOT BE CUT, NOTCHED, DRILLED, SPLICED OR OTHERWISE ALTERED IN ANY WAY WITHOUT THE APPROVAL OF A REGISTERED DESIGN PROFESSIONAL. ALTERATIONS RESULTING IN THE ADDITION OF LOAD SUCH AS HVAC EQUIPMENT WATER HEATER THAT EXCEEDS THE DESIGN LOAD FOR THE TRUSS SHALL NOT BE PERMITTED WITHOUT VERIFICATION THAT THE TRUSS IS CAPABLE OF SUPPORTING SUCH ADDITIONAL LOADING.

R802.11 ROOF TIE-DOWN.

R802.11.1 UPLIFT RESISTANCE. ROOF ASSEMBLIES SHALL HAVE UPLIFT RESISTANCE IN ACCORDANCE WITH SECTIONS R802.11.1.1 AND R802.11.1.2, WHERE THE UPLIFT FORCE DOES NOT EXCEED 200 POUNDS (90.8 KG), RAFTERS AND TRUSSES SPACED NOT MORE THAN 24 INCHES (610 MM) ON CENTER SHALL BE PERMITTED TO BE ATTACHED TO THEIR SUPPORTING WALL ASSEMBLIES IN ACCORDANCE WITH TABLE R602.3(1), WHERE THE BASIC WIND SPEED DOES NOT EXCEED 115 MPH, THE WIND EXPOSURE CATEGORY IS B, THE ROOF PITCH IS 5:12 (42-PERCENT SLOPE) OR GREATER, AND THE ROOF SPAN IS 32 FEET (9754 MM) OR LESS, RAFTERS AND TRUSSES SPACED NOT MORE THAN 24 INCHES (610 MM) ON CENTER SHALL BE PERMITTED TO BE ATTACHED TO THEIR SUPPORTING WALL ASSEMBLIES IN ACCORDANCE WITH TABLE R602.3(1).

R802.11.1.1 TRUSS UPLIFT RESISTANCE. TRUSSES SHALL BE ATTACHED TO SUPPORTING WALL ASSEMBLIES BY CONNECTIONS CAPABLE OF RESISTING UPLIFT FORCES AS SPECIFIED ON THE TRUSS DESIGN DRAWINGS FOR THE ULTIMATE DESIGN WIND SPEED AS DETERMINED BY FIGURE R301.2(5)A AND LISTED IN TABLE R301.2(1) OR AS SHOWN ON THE CONSTRUCTION DOCUMENTS. UPLIFT FORCES SHALL BE PERMITTED TO BE DETERMINED AS SPECIFIED BY TABLE R802.11, IF APPLICABLE, OR AS DETERMINED BY ACCEPTED ENGINEERING PRACTICE.
R802.11.1.2 RAFTER UPLIFT RESISTANCE. INDIVIDUAL RAFTERS SHALL BE ATTACHED TO SUPPORTING WALL ASSEMBLIES BY CONNECTIONS CAPABLE OF RESISTING UPLIFT FORCES AS DETERMINED BY TABLE R802.11 OR AS DETERMINED BY ACCEPTED ENGINEERING PRACTICE. CONNECTIONS FOR BEAMS USED IN A ROOF SYSTEM SHALL BE DESIGNED IN ACCORDANCE WITH ACCEPTED ENGINEERING PRACTICE.

REFER TO THE IRC FOR THE FOLLOWING SECTIONS:

SECTION 803 ROOF SHEATHING
SECTION 804 COLD-FORMED STEEL ROOF FRAMING

SECTION 805 CEILING FINISHES

R805.1 CEILING INSTALLATION.
CEILINGS SHALL BE INSTALLED IN ACCORDANCE WITH THE REQUIREMENTS FOR INTERIOR WALL FINISHES AS PROVIDED IN SECTION R702.

SECTION R806

ROOF VENTILATION
R806.1 VENTILATION REQUIRED. ENCLOSED ATTICS AND ENCLOSED RAFTER SPACES FORMED WHERE CEILINGS ARE APPLIED DIRECTLY TO THE UNDERSIDE OF ROOF RAFTERS SHALL HAVE CROSS VENTILATION FOR EACH SEPARATE SPACE BY VENTILATING OPENINGS PROTECTED AGAINST THE ENTRY OF RAIN OR SNOW. VENTILATING OPENINGS SHALL HAVE A LEAST DIMENSION OF 1/16 INCH (1.6 MM) MINIMUM AND 1/4 INCH (6.4 MM) MAXIMUM. VENTILATING OPENINGS HAVING A LEAST DIMENSION LARGER THAN 1/4 INCH (6.4 MM) SHALL BE PROVIDED WITH CORROSION-RESISTANT WIRE CLOTH SCREENING, HARDWARE CLOTH PERFORATED VINYL, OR SIMILAR MATERIAL WITH OPENINGS HAVING A LEAST DIMENSION OF 1/16 INCH (1.6 MM) MINIMUM AND 1/4 INCH (6.4 MM) MAXIMUM. OPENINGS IN ROOF FRAMING MEMBERS SHALL CONFORM TO THE REQUIREMENTS OF SECTION R802.7. REQUIRED VENTILATING OPENINGS SHALL OPEN DIRECTLY TO THE OUTSIDE AIR AND SHALL BE PROTECTED TO PREVENT THE ENTRY OF BIRDS, RODENTS, SNAKES, AND OTHER SIMILAR CREATURES.

R806.2 MINIMUM VENT AREA.
THE MINIMUM NET FREE VENTILATING AREA SHALL BE 1/150 OF THE AREA OF THE VENTED SPACE.

NOTE: SEE SECTION 806.2 FOR EXCEPTION

R806.3 VENT AND INSULATION CLEARANCE.
WHERE EAVE OR CORNICE VENTS ARE INSTALLED, BLOCKING, BRIDGING, AND INSULATION SHALL NOT BLOCK THE FREE FLOW OF AIR, NOT LESS THAN A 1-INCH (25 MM) SPACE SHALL BE PROVIDED BETWEEN THE INSULATION AND THE ROOF SHEATHING AND AT THE LOCATION OF THE VENT.

R806.4 INSTALLATION AND WEATHER PROTECTION.
VENTILATORS SHALL BE INSTALLED IN ACCORDANCE WITH MANUFACTURER'S INSTRUCTIONS. INSTALLATION OF VENTILATORS IN ROOF SYSTEMS SHALL BE IN ACCORDANCE WITH THE REQUIREMENTS OF SECTION R903. INSTALLATION OF VENTILATORS IN WALL SYSTEMS SHALL BE IN ACCORDANCE WITH THE REQUIREMENTS OF SECTION R703.1.

R806.5 UNVENTED ATTIC AND UNVENTED ENCLOSED RAFTER ASSEMBLIES.
UNVENTED ATTICS AND UNVENTED ENCLOSED ROOF FRAMING ASSEMBLIES CREATED BY CEILINGS THAT ARE APPLIED DIRECTLY TO THE UNDERSIDE OF THE ROOF FRAMING MEMBERS AND STRUCTURAL ROOF SHEATHING APPLIED DIRECTLY TO THE TOP OF THE ROOF FRAMING MEMBERS/RAFTERS, SHALL BE PERMITTED WHERE ALL THE FOLLOWING CONDITIONS ARE MET:

SEE CONDITIONS 806.5 (1 THROUGH 5)

SECTION R807 ATTIC ACCESS

R807.1 ATTIC ACCESS.
BUILDINGS WITH COMBUSTIBLE CEILING OR ROOF CONSTRUCTION SHALL HAVE AN ATTIC ACCESS OPENING TO ATTIC AREAS THAT HAVE A VERTICAL HEIGHT OF 30 INCHES (762 MM) OR GREATER OVER AN AREA OF NOT LESS THAN 30 SQUARE FEET (2.8 M²), THE VERTICAL HEIGHT SHALL BE MEASURED FROM THE TOP OF THE CEILING FRAMING MEMBERS TO THE UNDERSIDE OF THE ROOF FRAMING MEMBERS.

THE ROUGH-FRAMED OPENING SHALL BE NOT LESS THAN 22 INCHES BY 30 INCHES (559 MM BY 762 MM) AND SHALL BE LOCATED IN A HALLWAY OR OTHER LOCATION WITH READY ACCESS. WHERE LOCATED IN A WALL, THE OPENING SHALL BE NOT LESS THAN 22 INCHES WIDE BY 30 INCHES HIGH (559 MM WIDE BY 762 MM HIGH). WHERE THE ACCESS IS LOCATED IN A CEILING, MINIMUM UNOBSTRUCTED HEADROOM IN THE ATTIC SPACE SHALL BE 30 INCHES (762 MM) AT SOME POINT ABOVE THE ACCESS MEASURED VERTICALLY FROM THE BOTTOM OF CEILING FRAMING MEMBERS. SEE SECTION M1305.1.3 FOR ACCESS REQUIREMENTS WHERE MECHANICAL EQUIPMENT IS LOCATED IN ATTICS.

CHAPTER 9 :: ROOF ASSEMBLIES

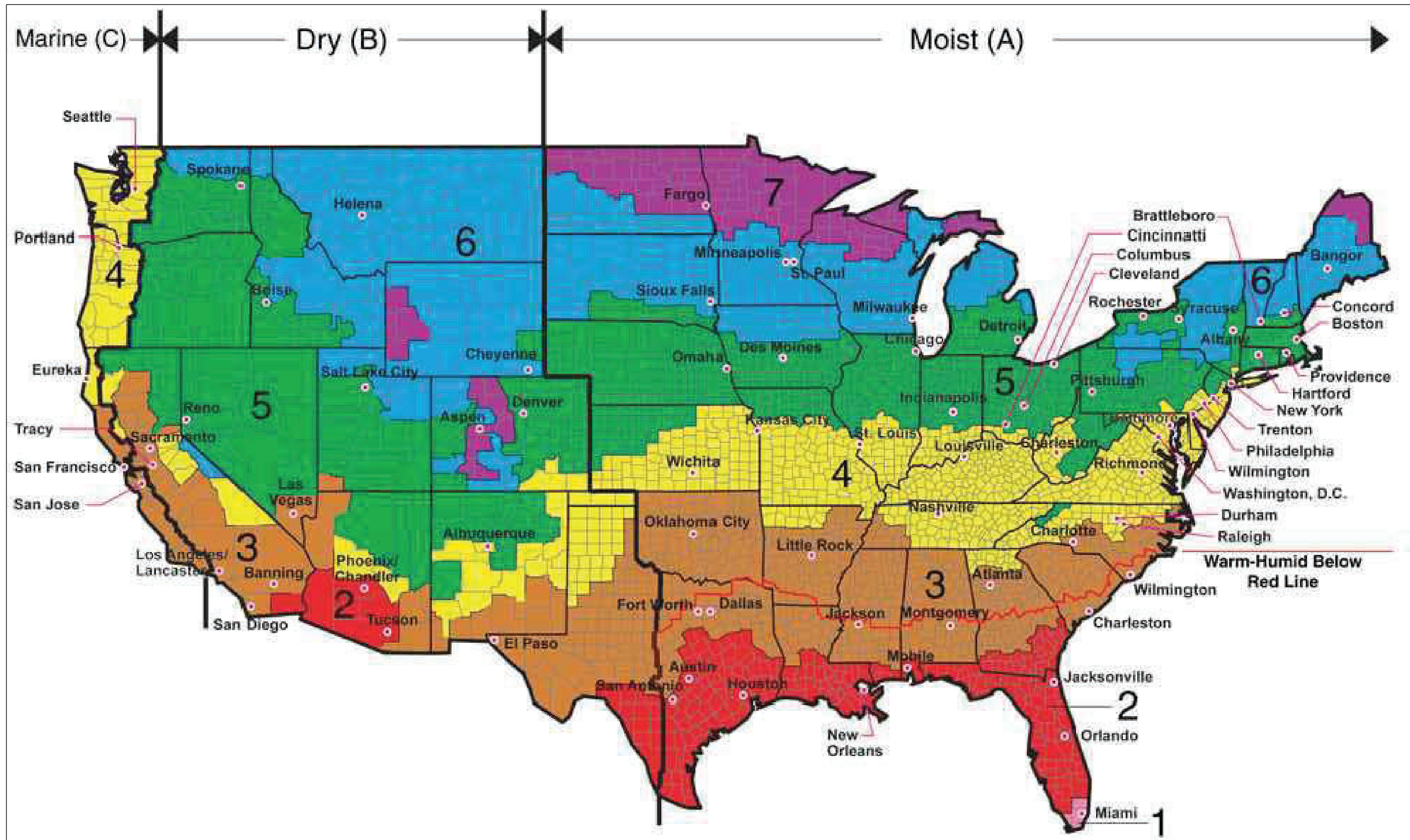
SECTION R901 GENERAL

R901.1 SCOPE. THE PROVISIONS OF THIS CHAPTER SHALL GOVERN THE DESIGN, MATERIALS, CONSTRUCTION AND QUALITY OF ROOF ASSEMBLIES.

CHAPTER 10 :: CHIMNEYS & FIREPLACES

R1001.1 GENERAL.
MASONRY FIREPLACES SHALL BE CONSTRUCTED IN ACCORDANCE WITH THIS SECTION AND THE APPLICABLE PROVISIONS OF CHAPTERS 3 AND 4.

F R IST SP NS		F R IST SP NS F R S U THERN PINE SPECIES RESIDENTIAL IN RE S I E D 40psf Δ 360 DE D 20psf	
SIZE	SP CIN INCHES	ISU S U THERN PINE M IUMUM FT. IN. F R IST SP NS	Y R DED 2 S U THERN PINE F R IST SP NS
2 x 6	12.0		10
	16.0		8 6
	1. 2		7
2 x 8	24.0		7 0
	12.0		12 6
	16.0		10 10
2 x 10	1. 2		10
	24.0		8 10
	12.0		14
2 x 12	16.0		12 10
	1. 2		11 8
	24.0		10 5
2 x 12	12.0		17 5
	16.0		15 1
	1. 2		13
	24.0		12 4



All of Alaska in Zone 7 except for the following Boroughs in Zone 8: Bethel, Dellingham, Fairbanks, N. Star, Nome North Slope, Northwest Arctic, Southeast Fairbanks, Wade Hampton, and Yukon-Koyukuk

Zone 1 includes: Hawaii, Guam, Puerto Rico, and the Virgin Islands

TABLE N1102.1.2 (R402.1.2)
INSULATION AND FENESTRATION REQUIREMENTS BY COMPONENT^a

CLIMATE ZONE	FENESTRATION U-FACTOR ^b	SKYLIGHT U-FACTOR ^b	GLAZED FENESTRATION SHGC ^{b, e}	CEILING R-VALUE	WOOD FRAME WALL R-VALUE	MASS WALL R-VALUE ^f	FLOOR R-VALUE	BASEMENT ^c WALL R-VALUE	SLAB ^d R-VALUE & DEPTH	CRAWL SPACE ^c WALL R-VALUE
1	NR	0.75	0.25	30	13	3/4	13	0	0	0
2	0.40	0.65	0.25	38	13	4/6	13	0	0	0
3	0.32	0.55	0.25	38	20 or 13 + 5h	8/13	19	5/13 ^f	0	5/13
4 except Marine	0.32	0.55	0.40	49	20 or 13 + 5h	8/13	19	10/13	10, 2 ft	10/13
5 and Marine 4	0.30	0.55	NR	49	20 or 13 + 5h	13/17	30g	15/19	10, 2 ft	15/19
6	0.30	0.55	NR	49	20 + 5 or 13 + 10h	15/20	30g	15/19	10, 4 ft	15/19
7 and 8	0.30	0.55	NR	49	20 + 5 or 13 + 10h	19/21	38g	15/19	10, 4 ft	15/19

- For SI: 1 foot = 304.8 mm.
- a. R-values are minimums. U-factors and SHGC are maximums. When insulation is installed in a cavity which is less than the label or design thickness of the insulation, the installed R-value of the insulation shall not be less than the R-value specified in the table.
- b. The fenestration U-factor column excludes skylights. The SHGC column applies to all glazed fenestration.
Exception: Skylights may be excluded from glazed fenestration SHGC requirements in Climate Zones 1 through 3 where the SHGC for such skylights does not exceed 0.30.
- c. "15/19" means R-15 continuous insulation on the interior or exterior of the home or R-19 cavity insulation at the interior of the basement wall. "15/19"^f shall be permitted to be met with R-13 cavity insulation on the interior of the basement wall plus R-5 continuous insulation on the interior or exterior of the home. "10/13" means R-10 continuous insulation on the interior or exterior of the home or R-13 cavity insulation at the interior of the basement wall.
- d. R-5 shall be added to the required slab edge R-values for heated slabs. Insulation depth shall be the depth of the footing or 2 feet, whichever is less in Zones 1 through 3 for heated slabs.
- e. There are no SHGC requirements in the Marine Zone.
- f. Basement wall insulation is not required in warm-humid locations as defined by Figure N1101.10 and Table N1101.10.
- g. Or insulation sufficient to fill the framing cavity, R-19 minimum.
- h. The first value is cavity insulation, the second value is continuous insulation, so "13+5" means R-13 cavity insulation plus R-5 continuous insulation.
- i. The second R-value applies when more than half the insulation is on the interior of the mass wall.

TABLE N1102.1.4 (R402.1.4)
EQUIVALENT U-FACTORS^a

CLIMATE ZONE	FENESTRATION U-FACTOR	SKYLIGHT U-FACTOR	CEILING U-FACTOR	FRAME WALL U-FACTOR	MASS WALL U-FACTOR ^b	FLOOR U-FACTOR	BASEMENT WALL U-FACTOR	CRAWL SPACE WALL U-FACTOR
1	0.50	0.75	0.035	0.084	0.197	0.064	0.360	0.477
2	0.40	0.65	0.030	0.084	0.165	0.064	0.360	0.477
3	0.35	0.55	0.030	0.060	0.098	0.047	0.091 ^c	0.136
4 except Marine	0.35	0.55	0.026	0.060	0.098	0.047	0.059	0.065
5 and Marine 4	0.32	0.55	0.026	0.060	0.082	0.033	0.050	0.055
6	0.32	0.55	0.026	0.045	0.060	0.033	0.050	0.055
7 and 8	0.32	0.55	0.026	0.045	0.057	0.028	0.050	0.055

- a. Nonfenestration U-factors shall be obtained from measurement, calculation or an approved source.
- b. When more than half the insulation is on the interior, the mass wall U-factors shall be a maximum of 0.17 in Zone 1, 0.14 in Zone 2, 0.12 in Zone 3, 0.087 in Zone 4 except Marine, 0.065 in Zone 5 and Marine 4, and 0.057 in Zones 6 through 8.
- c. Basement wall U-factor of 0.360 in warm-humid locations as defined by Figure N1101.10 (R301.1) and Table N1101.10 (R301.1).

TABLE N1102.4.1.1 (R402.4.1.1)
AIR BARRIER AND INSULATION INSTALLATION (a)

COMPONENT	AIR BARRIER CRITERIA	INSULATION INSTALLATION CRITERIA
General requirements	A continuous air barrier shall be installed in the building envelope. The exterior thermal envelope contains a continuous air barrier. Breaks or joints in the air barrier shall be sealed.	Air-permeable insulation shall not be used as a sealing material.
Ceiling/attic	The air barrier in any dropped ceiling or soffit shall be aligned with the insulation and any gaps in the air barrier sealed. Access openings, drop down stairs or knee wall doors to unconditioned attic spaces shall be sealed.	The insulation in any dropped ceiling/soffit shall be aligned with the air barrier.
Walls	The junction of the foundation and sill plate shall be sealed. The junction of the top plate and the top of exterior walls shall be sealed. Knee walls shall be sealed.	Cavities within corners and headers of frame walls shall be insulated by completely filling the cavity with a material having a thermal resistance of not less than R-3 per inch. Exterior thermal envelope insulation for framed walls shall be installed in substantial contact and in continuous alignment with the air barrier.
Windows, skylights and doors	The space between framing and skylights, and framing the jambs of windows and doors, shall be sealed.	
Rim joists	Rim joists shall include the air barrier.	Rim joists shall be insulated.
Floors (including above garage and cantilevered floors) and floors above garages.	The air barrier shall be installed at any exposed edge of insulation.	Floor framing cavity insulation shall be installed to maintain permanent contact with the underside of subfloor decking. Alternatively floor framing cavity insulation shall be in contact with the top side of sheathing, or continuous insulation installed on the underside of floor framing; and extending from the bottom to the top of all perimeter floor framing members.
Crawl space walls	Exposed earth in unvented crawl spaces shall be covered with a Class I vapor retarder with overlapping joints taped.	Crawl space insulation, where provided instead of floor insulation, shall be permanently attached to the walls.
Shafts, penetrations	Duct shafts, utility penetrations, and flue shafts opening to exterior or unconditioned space shall be sealed.	
Narrow cavities		Batts to be installed in narrow cavities shall be cut to fit, or narrow cavities shall be filled with insulation that on installation readily conforms to the available cavity space.
Garage separation	Air sealing shall be provided between the garage and conditioned spaces.	
Recessed lighting	Recessed light fixtures installed in the building thermal envelope shall be sealed to the finished surface.	Recessed light fixtures installed in the building thermal envelope shall be air tight and IC rated.
Plumbing and wiring		In exterior walls, batt insulation shall be cut neatly to fit around wiring and plumbing or insulation that on installation, readily conforms to available space, shall extend behind piping and wiring.
Shower/tub on exterior wall	The air barrier installed at exterior walls adjacent to showers and tubs shall separate the wall from the shower or tub.	Exterior walls adjacent to showers and tubs shall be insulated.
Electrical/phone box on exterior walls	The air barrier shall be installed behind electrical and communication boxes. Alternatively, air-sealed boxes shall be installed.	
HVAC register boots	HVAC register boots that penetrate building thermal envelope shall be sealed to the subfloor or drywall.	
Concealed sprinklers	Where required to be sealed, concealed fire sprinklers shall only be sealed in a manner that is recommended by the manufacturer. Caulking or other adhesive sealants shall not be used to fill voids between fire sprinkler cover plates and walls or ceilings.	

(a) Inspection of log walls shall be in accordance with the provisions of ICC 400.
2018 INTERNATIONAL RESIDENTIAL CODE ©

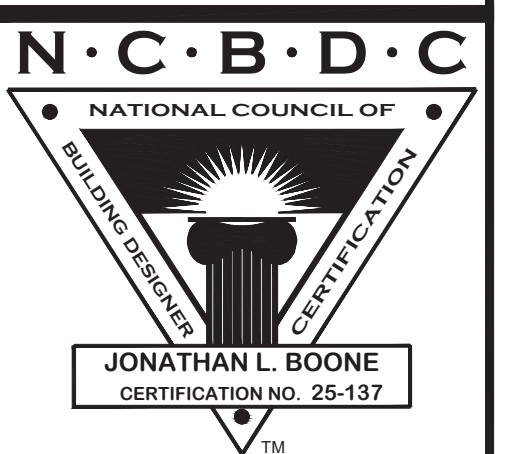
Designing Homes
HOUSE PLAN ZONE
 Building Relationships

Website:
www.HPZplans.com

Email:
sales@hpzplans.com

Phone:
601.336.3254

Fax:
1.800.574.1387



Code Year: 2018
International Residential Code
 Energy Efficiency and Conservation

Date:
02.10.20

SHEET NUMBER

N4

IMPORTANT NOTE: THESE SPECIFICATIONS ARE PROVIDED BY HOUSE PLAN ZONE, LLC AS A SERVICE TO THEIR CUSTOMERS TO PROVIDE THE MOST ACCURATE INFORMATION. HOWEVER, THE INFORMATION IS ALSO A GENERAL SUMMARY OF THE CODE AND IT IS RECOMMENDED THAT YOU BECOME FAMILIAR WITH THE FULL EXTENT OF THE ACTUAL CODE. THE NOTES AND SPECIFICATIONS MAY HAVE TO BE AMENDED DUE TO VARIATIONS IN LOCAL CODES AND GEOLOGICAL CONDITIONS. ALWAYS CONSULT WITH YOUR LOCAL BUILDING OFFICIALS PRIOR TO THE START OF ACTUAL CONSTRUCTION. SPECIAL ENGINEERING MAY REQUIRE THAT THESE SPECIFICATIONS BE CHANGED OR AMENDED TO COMPLY WITH SEISMIC, WIND, OR OTHER SPECIAL CONDITIONS AS REQUIRED BY LOCAL CONSTRUCTION METHODOLOGIES AND LOCAL CODES.