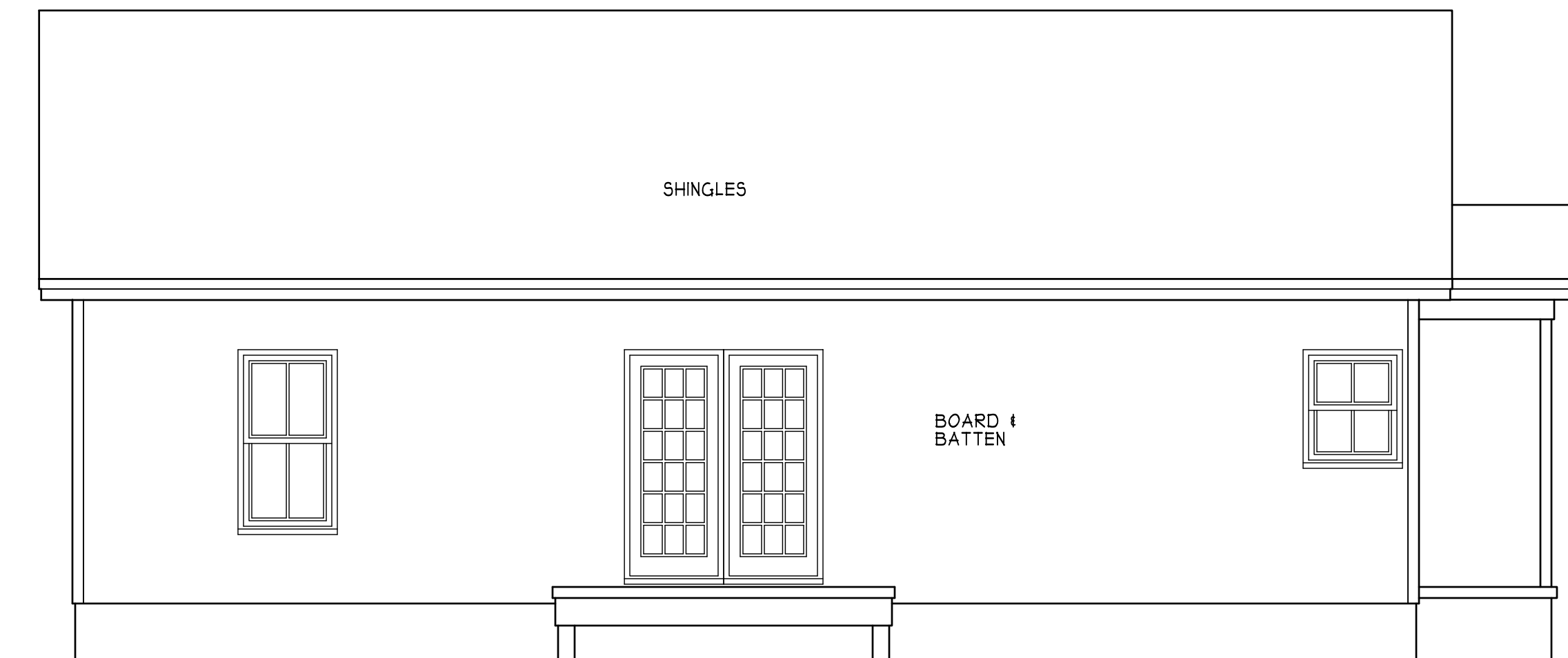
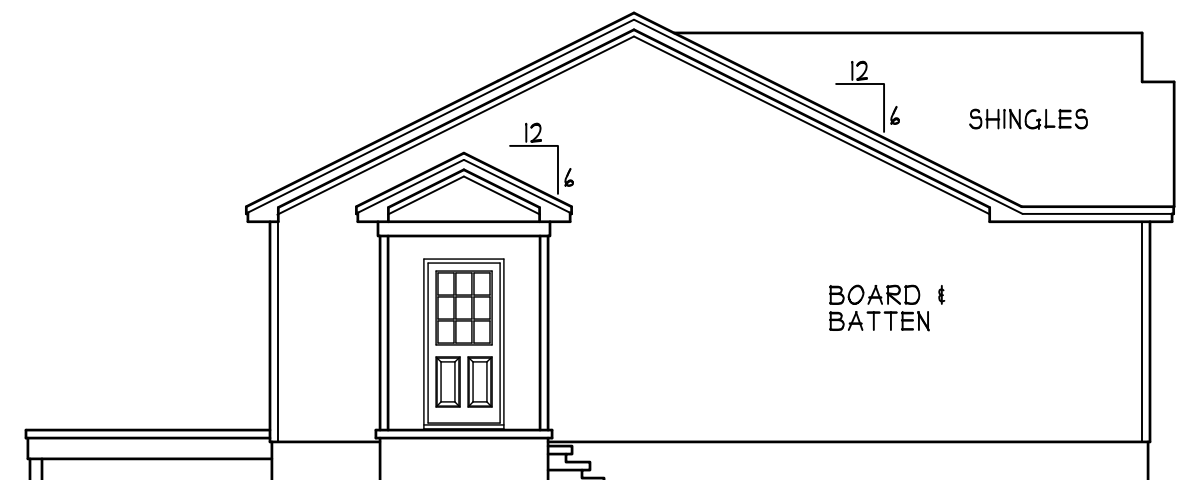


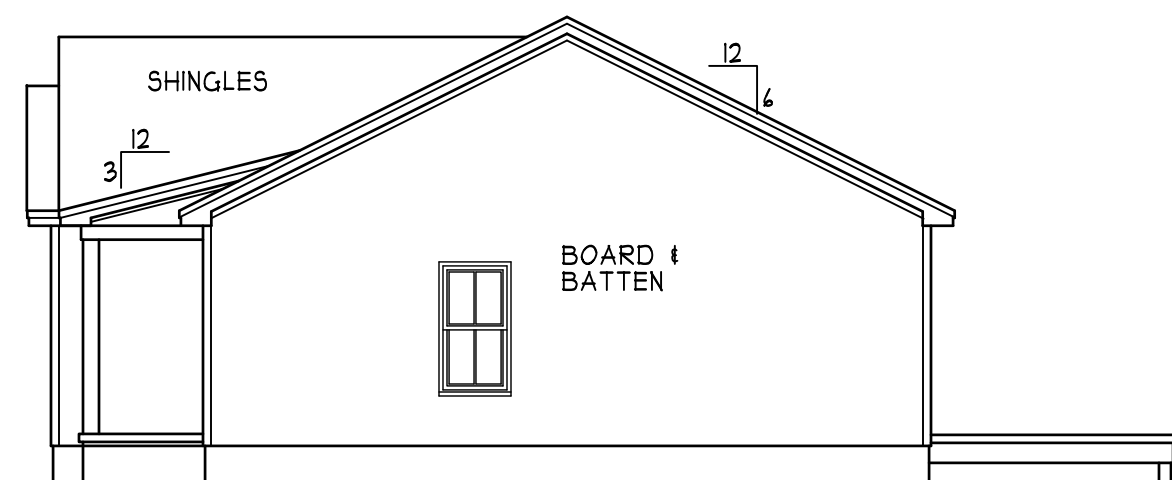
FRONT ELEVATION
SCALE 1/4" = 1'-0"



REAR ELEVATION
SCALE 1/4" = 1'-0"



LEFT ELEVATION
SCALE 1/8" = 1'-0"



RIGHT ELEVATION
SCALE 1/8" = 1'-0"

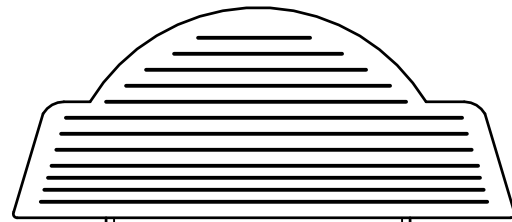
ATTIC VENTILATION:

THE NET FREE VENTILATING AREA SHALL BE NOT LESS THAN 1 TO 150 OF THE AREA OF THE SPACE VENTILATED EXCEPT THAT THE AREA MAY BE 1 TO 300, PROVIDED AT LEAST 50 PERCENT OF THE REQUIRED VENTILATING AREA IS PROVIDED BY VENTILATORS LOCATED IN THE UPPER PORTION OF THE SPACE TO BE VENTILATED AT LEAST 3 FEET ABOVE EAVE OR CORNICE VENTS WITH THE BALANCE OF THE REQUIRED VENTILATION TO BE PROVIDED BY EAVE OR CORNICE VENTS.

GROSS ATTIC AREA TO BE VENTILATED 1338 SQ.FT.
1338/150 = 8.92 SQ.FT. NET FREE AREA

ENERGY COMPLIANCE

ZONE 3 = MAX. GLAZING U-FACTOR .35
R-VALUE = CEILING R38, WALLS R15,
FLOORS R19 FOR JOHNSTON, WAYNE COUNTY
ZONE 4 = MAX. GLAZING U-FACTOR .35
R-VALUE = CEILING R38, WALLS R15,
FLOORS R19 FOR WAKE, ORANGE COUNTY

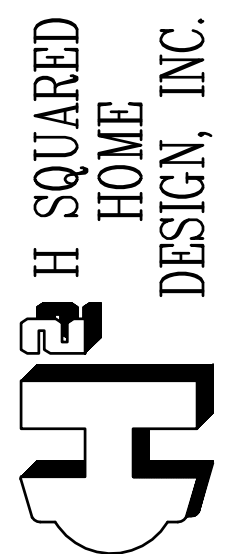


THE WALLER
SERENITY BUILT
HOMES, INC.

HEATED FOOTAGE:
#1257

SQUARE FOOTAGE:
FIRST FLOOR = 1257
FRONT PORCH = 81
SIDE STOOP = 24

DESIGNED BY:
HEATHER or
JOHNATHAN HALL
165 HEATHERSTONE CT
BENSON NC 27504
(919) 207-1403



ANY DEVIATION OF THE SPECIFIED MEASUREMENTS OR DIMENSIONS Voids H SQUARED HOME DESIGN, INC.'S LIABILITY.

THIS PLAN HAS BEEN DRAWN IN ACCORDANCE WITH NORTH CAROLINA STATE RESIDENTIAL BUILDING CODES 2018 EDITION.

THIS PLAN IS TO ONLY BE BUILT BY THE ABOVE CITED BUILDER OR HOMEOWNER. NOT FOR MULTIPLE BUILDS UNLESS APPROVED BY H SQUARED.

DATE:
10/09/2023

1 STORY

FILE:
090123

FOUNDATION STRUCTURAL NOTES:

- NC (2018 NCRS): Wind: 115-120 MPH
- ① (3) 2x10 SYP #2 OR SPF#2 GIRDER, TYPICAL UNO.
 - ② CONCRETE BLOCK PIER SIZE SHALL BE:

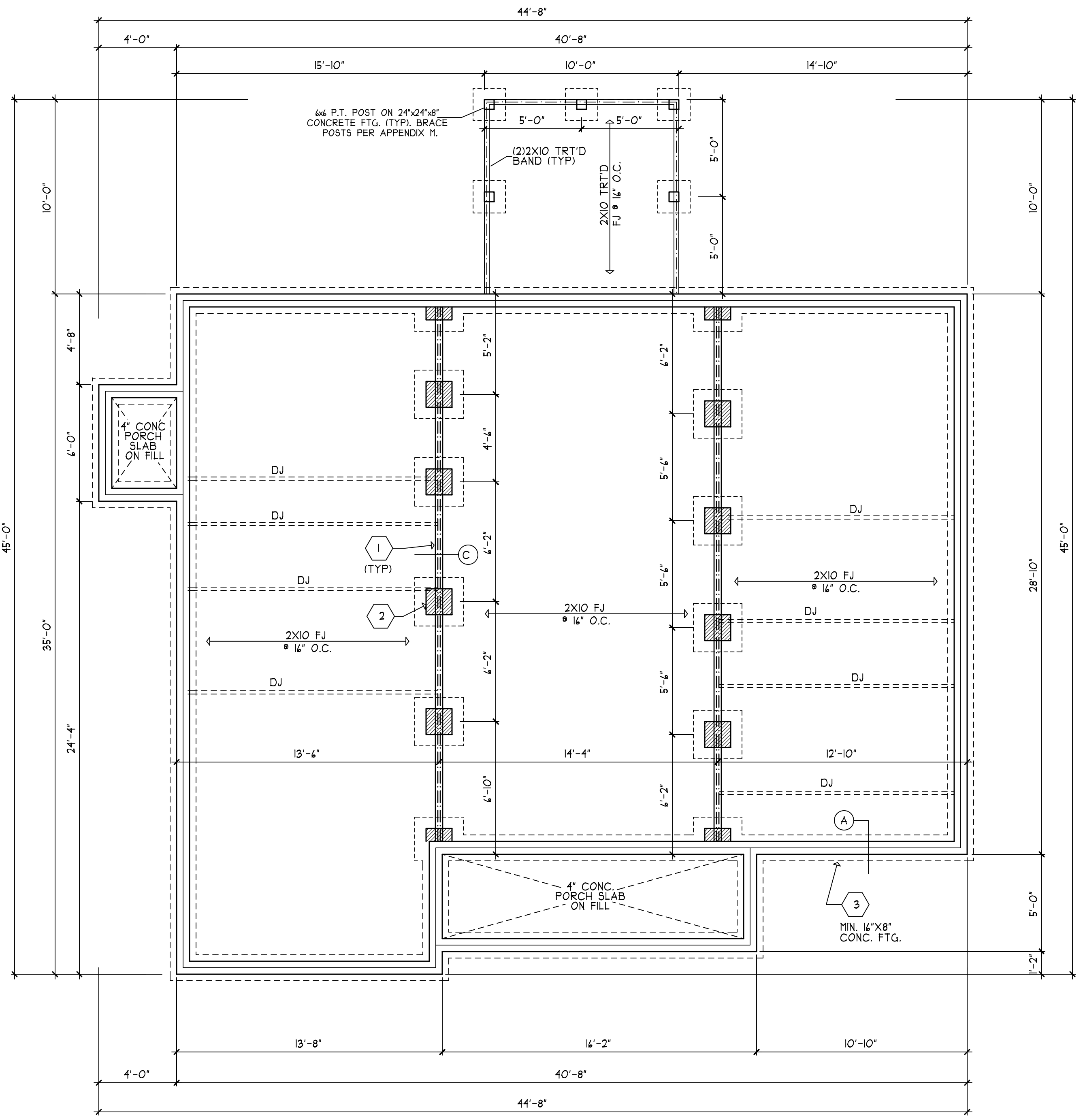
SIZE	HOLLOW MASONRY	SOLID MASONRY
8 x 16	UP TO 32" HIGH	UP TO 5'-0" HIGH
12 x 16	UP TO 48" HIGH	UP TO 9'-0" HIGH
16 x 16	UP TO 64" HIGH	UP TO 12'-0" HIGH
24 x 24	UP TO 96" HIGH	

 WITH 30" x 30" x 10" CONCRETE FOOTING, UNO.

- ③ WALL FOOTING AS FOLLOWS:
 DEPTH: 8" - UP TO 2-1/2 STORY
 10" - 3 STORY
 WIDTH: SIDING (OR EQUAL)
 - 16" - UP TO 2-1/2 STORY
 - 20" - 3 STORY
 BRICK VENEER
 - 16" - 1 STORY
 - 20" - 2 STORY
 - 24" - 3 STORY

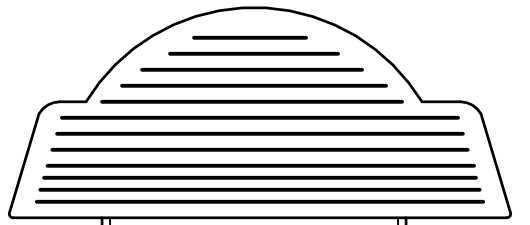
FOR FOUNDATION WALL HEIGHT AND BACKFILL REQUIREMENTS, REFER TO NORTH CAROLINA RESIDENTIAL CODE TABLE R404.11 (I THRU 4). NOTE: ASSUMED SOIL BEARING CAPACITY = 2000 PSF. CONTRACTOR MUST VERIFY SITE CONDITIONS AND CONTACT SOILS ENGINEER IF MARGINAL OR UNSTABLE SOILS ARE ENCOUNTERED.

- ④ (4) 2x10 SYP#2 OR SPF#2 GIRDER.
 - ⑤ (2) 1.75X9.25 LVL OR LSL GIRDER
 - ⑥ (3) 1.75X9.25 LVL OR LSL GIRDER
1. *■* DESIGNATES A SIGNIFICANT POINT LOAD TO HAVE SOLID BLOCKING TO PIER. SOLID BLOCK ALL BEAM BEARING POINTS NOTED TO HAVE THREE OR MORE STUDS TO FND, TYPICAL.
8. ABBREVIATIONS:
 "SJ" = SINGLE JOIST
 "DJ" = DOUBLE JOIST
 "TJ" = TRIPLE JOIST



REFERS TO BASIC DETAIL SHEET(S) FOR STANDARD DETAILS, BRACING DETAILS, AND STRUCTURAL NOTES

FOUNDATION PLAN
 SCALE 1/4" = 1'-0"

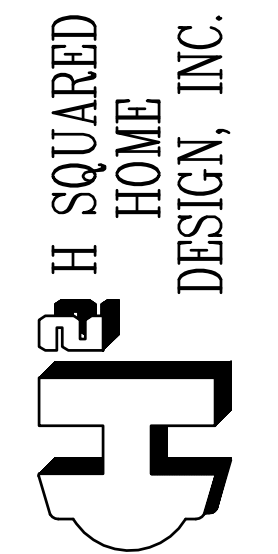


THE WALLER
SERENITY BUILT
HOMES, INC.

HEATED FOOTAGE:
#1257

SQUARE FOOTAGE:
 FIRST FLOOR = 1257
 FRONT PORCH = 81
 SIDE STOOP = 24

DESIGNED BY:
 HEATHER or
 JOHNATHAN HALL
 165 HEATHERSTONE CT
 BENSON NC 27504
 (919) 207-1403



ANY DEVIATION OF THE SPECIFIED MEASUREMENTS OR DIMENSIONS voids H SQUARED HOME DESIGN, INC.'S LIABILITY.

THIS PLAN HAS BEEN DRAWN IN ACCORDANCE WITH NORTH CAROLINA STATE RESIDENTIAL BUILDING CODES 2018 EDITION.

THIS PLAN IS TO ONLY BE BUILT BY THE ABOVE CITED BUILDER OR HOMEOWNER. NOT FOR MULTIPLE BUILDS UNLESS APPROVED BY H SQUARED.

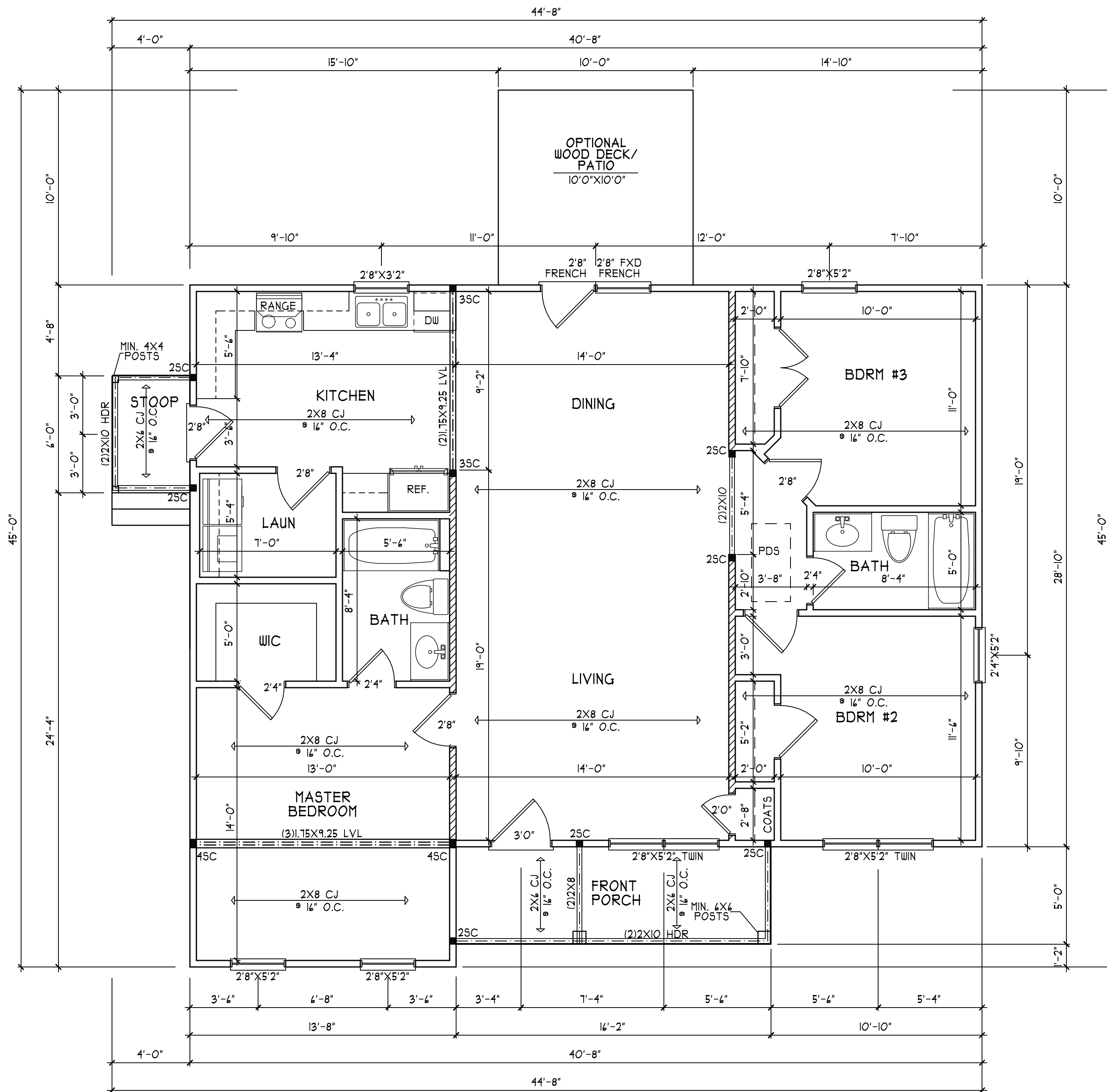
DATE:
 10/09/2023

1 STORY

FILE:
 090123

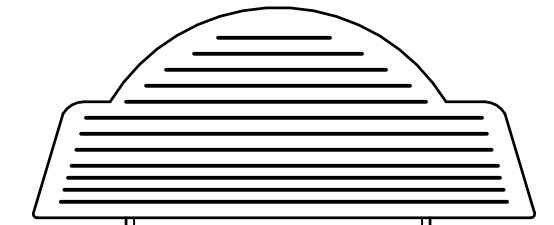
HEADER/BEAM & COLUMN NOTES

- ALL EXTERIOR AND LOAD BEARING HEADERS SHALL BE MIN. (2) 2x10 (4" WALL) OR (3) 2x10 (6" WALL) WITH (1) SUPPORT STUD, UNLESS NOTED OTHERWISE.
- THE NUMBER SHOWN AT BEAM AND HEADER SUPPORTS INDICATES THE NUMBER OF SUPPORT STUDS REQUIRED IN STUD POCKET OR COLUMN. THE NUMBER OF KING STUDS AT EACH END OF HEADERS IN EXTERIOR WALLS SHALL BE ACCORDING TO ITEM "d" IN TABLE R602.3(5) OR AS BELOW:
 - UP TO 4' SPAN: (1) KING STUD
 - OVER 4' UP TO 8' SPAN: (2) KING STUDS
 - OVER 8' UP TO 11' SPAN: (3) KING STUDS
 - OVER 11' SPAN: (4) KING STUDS



REFER TO BASIC DETAIL SHEET(S) FOR STANDARD DETAILS, BRACING DETAILS, AND STRUCTURAL NOTES

FIRST FLOOR PLAN
SCALE 1/4" = 1'-0"



THE WALLER
SERENITY BUILT
HOMES, INC.

HEATED FOOTAGE:
#1257

SQUARE FOOTAGE:
FIRST FLOOR = 1257
FRONT PORCH = 81
SIDE STOOP = 24

DESIGNED BY:
HEATHER or
JOHNATHAN HALL
165 HEATHERSTONE CT
BENSON NC 27504
(919) 207-1403

H SQUARED HOME DESIGN, INC.

ANY DEVIATION OF THE SPECIFIED MEASUREMENTS OR DIMENSIONS voids H SQUARED HOME DESIGN, INC.'S LIABILITY.

THIS PLAN HAS BEEN DRAWN IN ACCORDANCE WITH NORTH CAROLINA STATE RESIDENTIAL BUILDING CODES 2018 EDITION.

THIS PLAN IS TO ONLY BE BUILT BY THE ABOVE CITED BUILDER OR HOMEOWNER. NOT FOR MULTIPLE BUILDS UNLESS APPROVED BY H SQUARED.

DATE:
10/09/2023

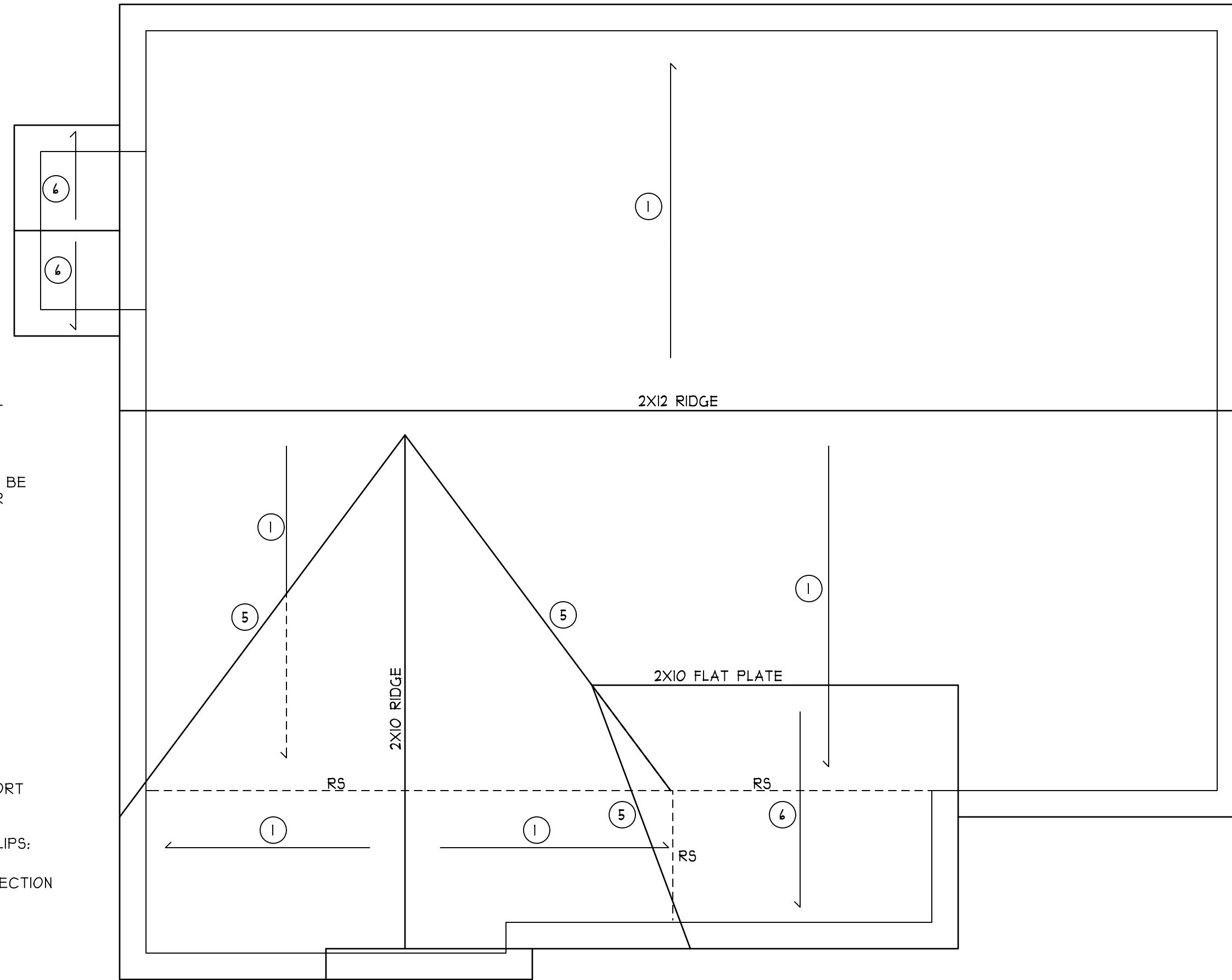
1 STORY

FILE:
090123

ROOF FRAMING NOTES:

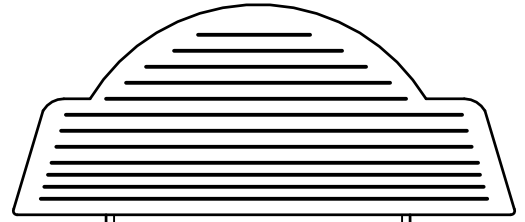
NC (2018 NCRC); Wind: 115-120 MPH

- ① ALL RAFTERS TO BE 2x8 @ 16" O.C. WITH 2x10 RIDGE, UNO.
 - ② (2) 2x10 OR 1.15x11.875 LVL HIP. (2) 2x10 HIPs MAY BE SPLICED WITH A MIN. 6'-0" OVERLAP AT CENTER
 - ③ (2) 2x10 OR 1.15x9.25 LVL VALLEY. DO NOT SPLICE VALLEYS
 - ④ 1.15x11.875 LVL VALLEY
 - ⑤ FALSE FRAME VALLEY ON 2x10 FLAT PLATE
 - ⑥ 2x6 RAFTERS @ 16" O.C. W/ 2x8 RIDGE, UNO.
 - ⑦ 2x10 RAFTERS @ 16" O.C. W/ 2x12 RIDGE, UNO.
 - ⑧ EXTEND RIDGE 12" BEYOND INTERSECTION
- "SR" = SINGLE RAFTER
 - "DR" = DOUBLE RAFTER
 - "TR" = TRIPLE RAFTER
 - "RS" = ROOF SUPPORT
 - "■" = (3) STUD OR 4x4 POST FOR ROOF SUPPORT (USE 2X6 OR 4X6 FOR SUPPORT POSTS OVER 10'-0" IN HEIGHT)
 - ATTACH VAULTED RAFTERS WITH HURRICANE CLIPS: SIMPSON "H2.5A" OR EQUIVALENT
 - INSTALL RAFTER TIES AND COLLAR TIES PER SECTION R802.3.1 OF THE 2018 NC RESIDENTIAL CODE



REFER TO BASIC DETAIL SHEET(S)
FOR STANDARD DETAILS, BRACING
DETAILS, AND STRUCTURAL NOTES

ROOF PLAN
SCALE 1/4" = 1'-0"

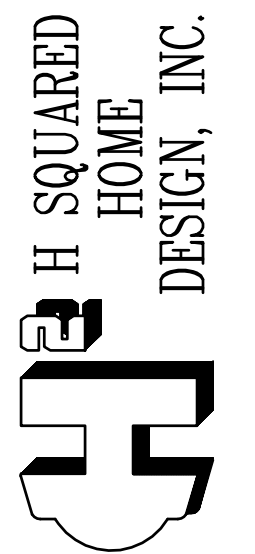


THE WALLER
SERENITY BUILT
HOMES, INC.

HEATED FOOTAGE:
#1257

SQUARE FOOTAGE:
FIRST FLOOR = 1257
FRONT PORCH = 81
SIDE STOOP = 24

DESIGNED BY:
HEATHER or
JOHNATHAN HALL
165 HEATHERSTONE CT
BENSON NC 27504
(919) 207-1403



ANY DEVIATION OF THE
SPECIFIED MEASUREMENTS
OR DIMENSIONS VOIDS
H SQUARED HOME DESIGN,
INC.'S LIABILITY.

THIS PLAN HAS BEEN DRAWN
IN ACCORDANCE WITH NORTH
CAROLINA STATE RESIDENTIAL
BUILDING CODES 2018 EDITION.

THIS PLAN IS TO
ONLY BE BUILT
BY THE ABOVE
CITED BUILDER
OR HOMEOWNER.
NOT FOR MULTIPLE
BUILDS UNLESS
APPROVED BY
H SQUARED.

DATE:
10/09/2023

1 STORY

FILE:
090123

STRUCTURAL NOTES

1) ALL CONSTRUCTION SHALL CONFORM TO THE LATEST REQUIREMENTS OF THE NORTH CAROLINA STATE RESIDENTIAL CODE - 2018 EDITION, PLUS ALL LOCAL CODES AND REGULATIONS. THE STRUCTURAL ENGINEER OR DESIGNER IS NOT RESPONSIBLE FOR, AND WILL NOT HAVE CONTROL OF, CONSTRUCTION MEANS, METHODS, TECHNIQUES, SEQUENCES OR PROCEDURES, OR FOR SAFETY PRECAUTIONS AND PROGRAMS IN CONNECTION WITH THE CONSTRUCTION WORK. NOR WILL THE ENGINEER OR DESIGNER BE RESPONSIBLE FOR THE CONTRACTOR'S FAILURE TO CARRY OUT THE CONSTRUCTION WORK IN ACCORDANCE WITH THE CONTRACT DOCUMENTS. "CONSTRUCTION REVIEW" SERVICES ARE NOT PART OF OUR CONTRACT. ALL MEMBERS SHALL BE FRAMED, ANCHORED, TIED AND BRACED IN ACCORDANCE WITH GOOD CONSTRUCTION PRACTICE AND THE BUILDING CODE.

	LIVE LOAD (PSF)	DEAD LOAD (PSF)	DEFLECTION (LL)
ROOMS OTHER THAN SLEEPING ROOMS	40	10	L/360
SLEEPING ROOMS	30	10	L/360
ATTIC WITH PERMANENT STAIR	40	10	L/360
ATTIC WITH OUT PERMANENT STAIR	20	10	L/360
ATTIC WITH OUT STORAGE	10	10	L/240
STAIRS	40	---	L/360
EXTERIOR BALCONIES	60	10	L/360
DECKS	40	10	L/360
GUARDRAILS AND HANDRAILS	200	---	----
PASSENGER VEHICLE GARAGES	50	10	L/360
FIRE ESCAPES	40	10	L/360
SNOW	20	---	----
WIND LOAD (BASED ON 115/120 MPH WIND VELOCITY & EXPOSURE B)			

3) WALL BRACING: BRACED WALL PANELS SHALL BE CONSTRUCTED ACCORDING TO SECTION R602.10.3. THE AMOUNT AND LOCATION OF BRACING SHALL COMPLY WITH TABLE R602.10.1. THE LENGTH OF BRACED PANELS SHALL BE DETERMINED BY SECTION R602.10.4. LATERAL BRACING SHALL BE SATISFIED PER METHOD 3 BY CONTINUOUSLY SHEATHING WALLS WITH STRUCTURAL SHEATHING PER SECTION R602.10.3. NOTE THAT ANY SPECIFIC BRACED WALL DETAIL SHALL BE INSTALLED AS SPECIFIED.

4) CONCRETE SHALL HAVE A MINIMUM 28 DAY STRENGTH OF 3000 PSI AND A MAXIMUM SLUMP OF 5 INCHES UNLESS NOTED OTHERWISE (UNO). AIR ENTRAINMENT PER TABLE 402.2. ALL CONCRETE SHALL BE PROPORTIONED, MIXED, HANDLED, SAMPLED, TESTED, AND PLACED IN ACCORDANCE WITH ACI STANDARDS. ALL SAMPLES FOR PUMPING SHALL BE TAKEN FROM THE EXIT END OF THE PUMP.

5) ALLOWABLE SOIL BEARING PRESSURE ASSUMED TO BE 2000 PSF. THE CONTRACTOR MUST CONTACT A GEOTECHNICAL ENGINEER AND THE STRUCTURAL ENGINEER IF UNSATISFACTORY SUBSURFACE CONDITIONS ARE ENCOUNTERED. THE SURFACE AREA ADJACENT TO THE FOUNDATION WALL SHALL BE PROVIDED WITH ADEQUATE DRAINAGE, AND SHALL BE GRADED SO AS TO DRAIN SURFACE WATER AWAY FROM FOUNDATION WALLS.

6) ALL FRAMING LUMBER SHALL BE SPF #2 (Fb = 875 PSI) UNLESS NOTED OTHERWISE (UNO). ALL TREATED LUMBER SHALL BE SYP #2 (Fb=975 PSI). PLATE MATERIAL MAY BE SPF #3 OR SYP #3 (Fc(perp) = 425 PSI - MIN).

7) ALL WOODEN BEAMS AND HEADERS SHALL HAVE THE FOLLOWING END SUPPORTS: (1) 2x4 STUD COLUMN FOR 4'-0" MAX. BEAM SPAN (UNO), (2) 2x4 STUDS FOR BEAM SPAN GREATER THAN 4'-0" (UNO).

8) L.V.L. SHALL BE LAMINATED VENEER LUMBER: Fb=2400 PSI, Fv=285 PSI, E=1.9x10⁶ PSI. P.S.L. SHALL BE PARALLEL STRAND LUMBER: Fb=2900 PSI, Fv=290 PSI, E=2.0x10⁶ PSI. L.S.L. SHALL BE LAMINATED STRAND LUMBER: Fb=2250 PSI, Fv=400 PSI, E=1.55x10⁶ PSI. INSTALL ALL CONNECTIONS PER MANUFACTURERS INSTRUCTIONS.

9) ALL ROOF TRUSS AND I-JOIST LAYOUTS SHALL BE PREPARED IN ACCORDANCE WITH ANY SEALED STRUCTURAL DRAWINGS. TRUSSES AND I-JOISTS SHALL BE INSTALLED ACCORDING TO THE MANUFACTURER'S SPECIFICATIONS. ANY CHANGE IN TRUSS OR I-JOIST LAYOUT SHALL BE COORDINATED WITH DESIGNER OR ENGINEER.

10) ALL STRUCTURAL STEEL SHALL BE ASTM A-36. STEEL BEAMS SHALL BE SUPPORTED AT EACH END WITH A MINIMUM BEARING LENGTH OF 3 1/2" INCHES AND FULL FLANGE WIDTH. PROVIDE SOLID BEARING FROM BEAM SUPPORT TO FOUNDATION. BEAMS SHALL BE ATTACHED TO EACH SUPPORT WITH TWO LAG SCREWS (1/2" DIAMETER x 4" LONG). LATERAL SUPPORT IS CONSIDERED ADEQUATE PROVIDED THE JOIST ARE TOE NAILED TO THE SOLE PLATE, AND SOLE PLATE IS NAILED OR BOLTED TO THE BEAM FLANGE @ 48" O.C. . ALL STEEL TUBING SHALL BE ASTM A500.

11) REBAR SHALL BE DEFORMED STEEL, ASTM#45, GRADE 60.

12) FLITCH BEAMS SHALL BE BOLTED TOGETHER USING (2) ROWS OF 1/2" DIAMETER BOLTS (ASTM A307) WITH WASHERS PLACED UNDER THE THREADED END OF BOLT. BOLTS SHALL BE SPACED AT 24" O.C. (MAX), AND STAGGERED AT THE TOP AND BOTTOM OF BEAM (2" EDGE DISTANCE), WITH 2 BOLTS LOCATED AT 4" FROM EACH END.

13) BRICK LINTELS SHALL BE 3 1/2"x3 1/2"x1/4" STEEL ANGLE FOR UP TO 4'-0" SPAN AND 4"x4"x1/8" STEEL ANGLE WITH 4" LEG VERTICAL FOR SPANS UP TO 9'-0". SEE PLANS FOR SPANS OVER 9'-0".

14) THE POSITIVE AND NEGATIVE DESIGN PRESSURE FOR DOORS AND WINDOWS FOR A MEAN ROOF HEIGHT OF 35 FEET OR LESS SHALL BE 25 PSF.

15) THE POSITIVE AND NEGATIVE DESIGN PRESSURES REQUIRED FOR ANY ROOF OR WALL CLADDING APPLICATION NOT SPECIFICALLY ADDRESSED IN THE NORTH CAROLINA STATE RESIDENTIAL CODE - 2018 EDITION SHALL BE AS FOLLOWS:

ROOF:
45.4 PSF - 2.25:12 PITCH OR LESS
34.8 PSF - 2.25:12 TO 1:12 PITCH
21 PSF - 1:12 TO 12:12 PITCH

WALLS:
24.1 PSF - WALLS
SEE ALSO SECTION R703.1.3 LINTELS

FOUNDATION STRUCTURAL NOTES:

NC (2018 NCRC): Wind: 115-120 MPH

(1) (3) 2x10 SYP #2 OR SPF#2 GIRDER, TYPICAL UNO.

(2) CONCRETE BLOCK PIER SIZE SHALL BE:
SIZE HOLLOW MASONRY SOLID MASONRY
8 x 16 UP TO 32' HIGH UP TO 5'-0" HIGH
12 x 16 UP TO 48' HIGH UP TO 9'-0" HIGH
16 x 16 UP TO 64' HIGH UP TO 12'-0" HIGH
24 x 24 UP TO 96' HIGH
WITH 30" x 30" x 10" CONCRETE FOOTING, UNO.

(3) WALL FOOTING AS FOLLOWS:

DEPTH: 8" - UP TO 2-1/2 STORY
10" - 3 STORY

WIDTH: SIDING (OR EQUAL)
- 16" - UP TO 2-1/2 STORY
- 20" - 3 STORY
BRICK VENEER
- 16" - 1 STORY
- 20" - 2 STORY
- 24" - 3 STORY

FOR FOUNDATION WALL HEIGHT AND BACKFILL REQUIREMENTS, REFER TO NORTH CAROLINA RESIDENTIAL CODE TABLE R404.11 (I THRU 4)
NOTE: ASSUMED SOIL BEARING CAPACITY = 2000 PSF. CONTRACTOR MUST VERIFY SITE CONDITIONS AND CONTACT SOILS ENGINEER IF MARGINAL OR UNSTABLE SOILS ARE ENCOUNTERED.

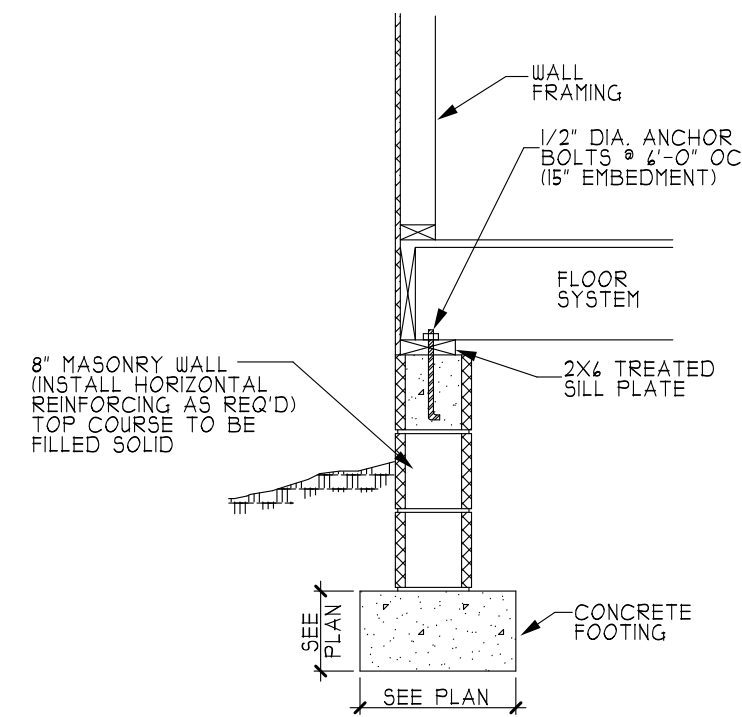
(4) 2x10 SYP#2 OR SPF#2 GIRDER.

(5) (2) 1.15x9.25 LVL OR LSL GIRDER

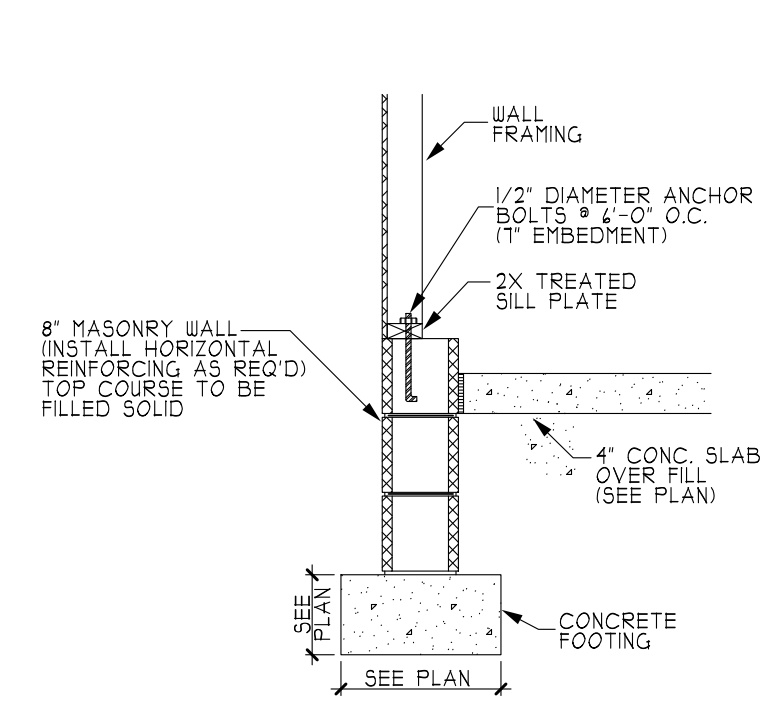
(6) (3) 1.15x9.25 LVL OR LSL GIRDER

1. ■ DESIGNATES A SIGNIFICANT POINT LOAD TO HAVE SOLID BLOCKING TO PIER. SOLID BLOCK ALL BEAM BEARING POINTS NOTED TO HAVE THREE OR MORE STUDS TO FND, TYPICAL.

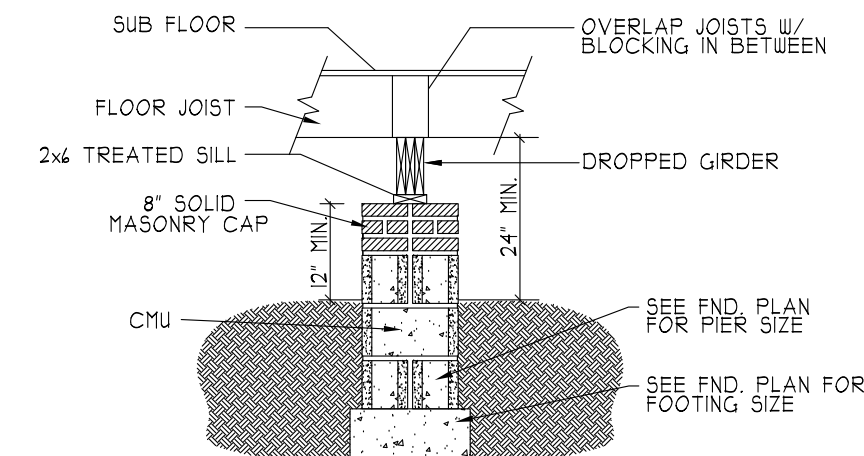
8. ABBREVIATIONS:
"SJ" = SINGLE JOIST
"DJ" = DOUBLE JOIST
"TJ" = TRIPLE JOIST



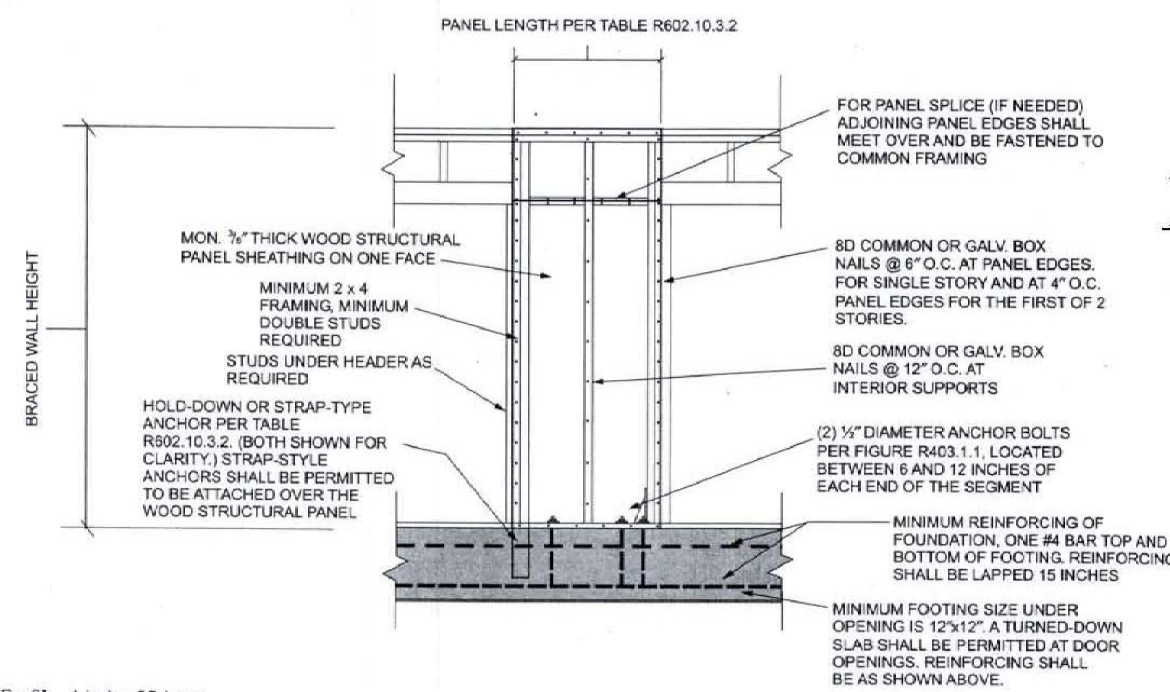
(A) CRAWL SPACE FOOTING (SIDING)



(B) GARAGE WALL FOOTING (SIDING)

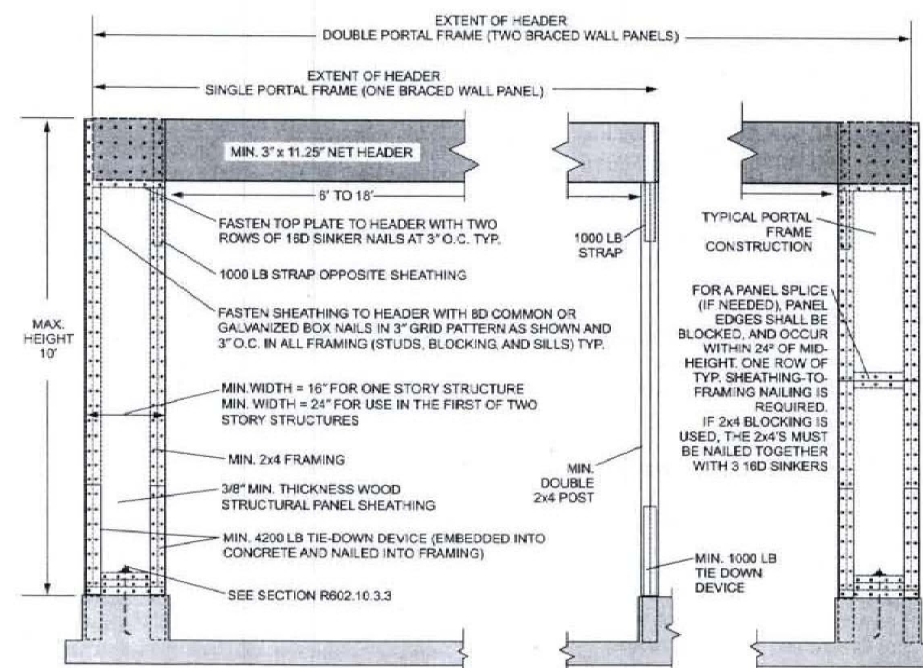


(C) DROPPED GIRDER



For SE: 1 inch = 25.4 mm.

FIGURE R602.10.3.2 ALTERNATE BRACED WALL PANEL



For SE: 1 inch = 25.4 mm, 1 foot = 304.8 mm, 1 pound force = 4.448 N.

FIGURE R602.10.3.3 METHOD PFH: PORTAL FRAME WITH HOLD-DOWNS

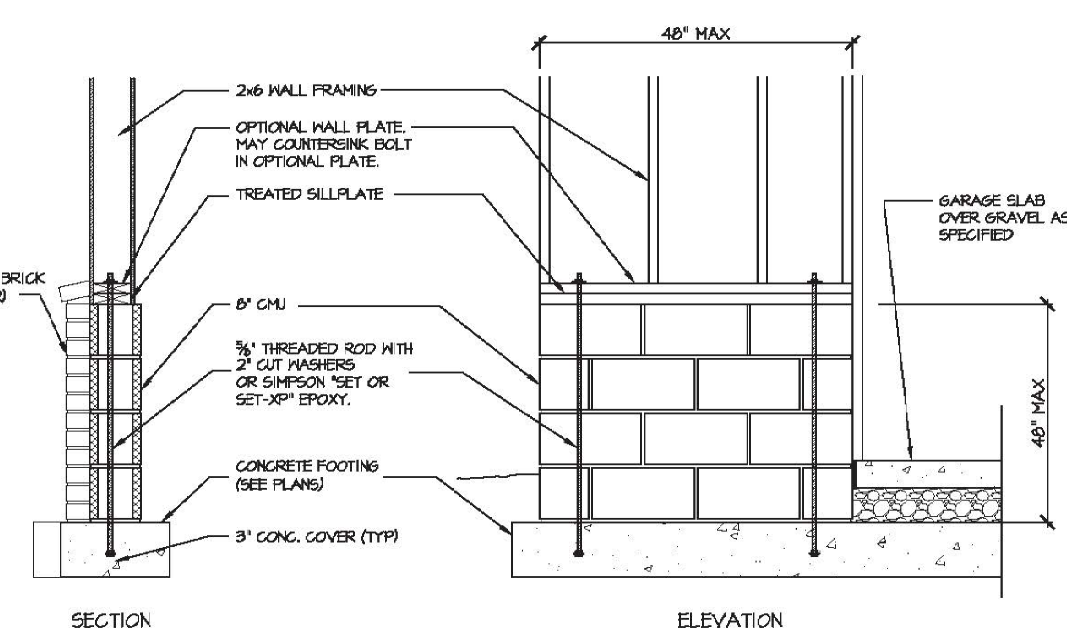
HEADER/BEAM & COLUMN NOTES

- ALL EXTERIOR AND LOAD BEARING HEADERS SHALL BE MIN. (2) 2x10 (4" WALL) OR (3) 2x10 (6" WALL) WITH (1) SUPPORT STUD, UNLESS NOTED OTHERWISE.
- THE NUMBER SHOWN AT BEAM AND HEADER SUPPORTS INDICATES THE NUMBER OF SUPPORT STUDS REQUIRED IN STUD POCKET OR COLUMN. THE NUMBER OF KING STUDS AT EACH END OF HEADERS IN EXTERIOR WALLS SHALL BE ACCORDING TO ITEM "d" IN TABLE R602.3(5) OR AS BELOW:
 - UP TO 4' SPAN: (1) KING STUD
 - OVER 4' UP TO 8' SPAN: (2) KING STUDS
 - OVER 8' UP TO 11' SPAN: (3) KING STUDS
 - OVER 11' SPAN: (4) KING STUDS

TRUSS SYSTEM REQUIREMENTS

NC (2018 NCRC):

- TRUSS SYSTEM LAYOUTS (PLACEMENT PLANS) SHALL BE DESIGNED IN ACCORDANCE WITH SEALED STRUCTURAL PLANS. ANY NEED TO CHANGE TRUSSES SHALL BE COORDINATED WITH SOUTHERN ENGINEERS.
- TRUSS SCHEMATICS (PROFILES) SHALL BE PREPARED AND SEALED BY TRUSS MANUFACTURER.
- ALL TRUSSES SHALL BE DESIGNED FOR BEARING ON SPF #2 OR #3 PLATES OR LEDGERS (UNO).
- ALL REQUIRED ANCHORS FOR TRUSSES DUE TO UPLIFT OR BEARING SHALL MEET THE REQUIREMENTS AS SPECIFIED ON THE TRUSS SCHEMATICS.



GARAGE 'WING WALL' REINFORCING PER IRC FIGURE R602.10.4.3

BASIC BUILDING
DETAIL SHEET
(115/120 MPH)

*PLEASE NOTE THAT NOT ALL DETAILS APPLY TO EVERY PLAN.

HEATHER HALL
165 HEATHERSTONE CT
BENSON NC 27504
(919) 207-1403

H SQUARED HOME DESIGN, INC.

ANY DEVIATION OF THE DETAILS OR DIMENSIONS Voids OR H SQUARED HOME DESIGN, INC.'S LIABILITY.
THIS PLAN HAS BEEN DRAWN IN ACCORDANCE WITH THE BUILDING CODES 2018 EDITION.

DATE:

FILE: