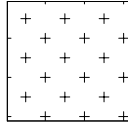


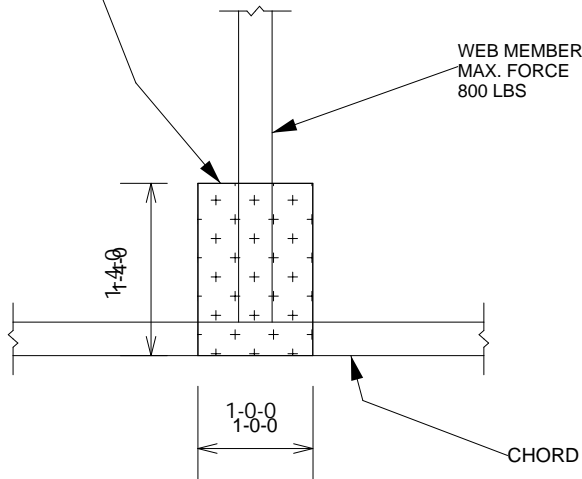


1. ALL MATERIAL IS 2x4
2. THIS DETAIL IS APPLICABLE FOR DESIGNS WITH DOLS. OF 1.15 OR 1.25 AND LUMBER SPECIES SP, DF, HF, OR SPF.
3. DETAIL SHALL BE USED FOR CONDITIONS OF A MISSING OR LOOSE CONNECTOR PLATE ONLY.
4. CHORD MATERIAL IS CONTINUOUS THROUGH JOINT, THERE IS NO MAXIMUM CHORD FORCE AND NO SPLICE PERMITTED.
5. REFER TO MITEK DESIGN DRAWING FOR WEB FORCES.



ATTACH 1/2" PLYWOOD OR OSB GUSSET (15/32" RATED SHEATHING 32/16 EXP 1) TO EACH FACE OF TRUSS WITH (0.131" X MIN 2.5") NAILS IN 3 ROWS SPACED @ 4" O.C. NAILS TO BE DRIVEN FROM BOTH FACES. STAGGER SPACING FROM FRONT TO BACK FACE FOR A NET 2" O.C. SPACING IN THE TRUSS. USE 2" MEMBER END DISTANCE.

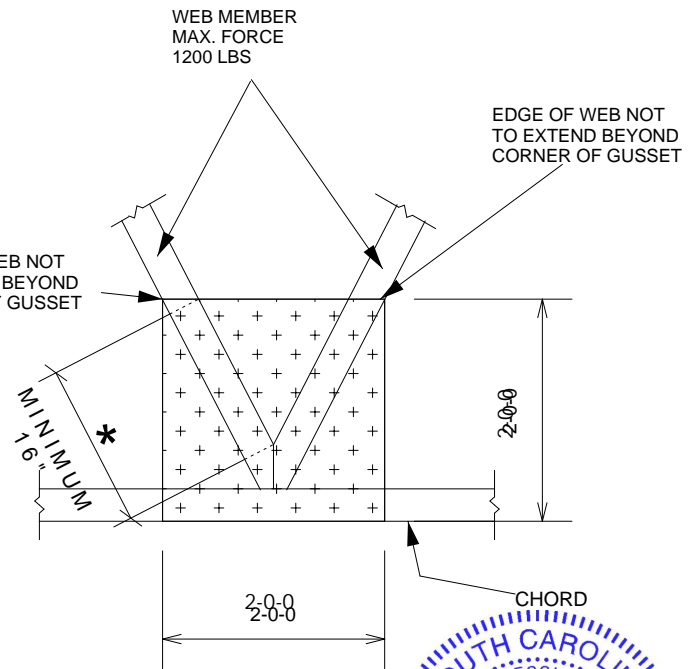
EDGE OF WEB NOT TO EXTEND BEYOND CORNER OF GUSSET



WEB MEMBER
MAX. FORCE
800 LBS

CHORD

EDGE OF WEB NOT TO EXTEND BEYOND CORNER OF GUSSET

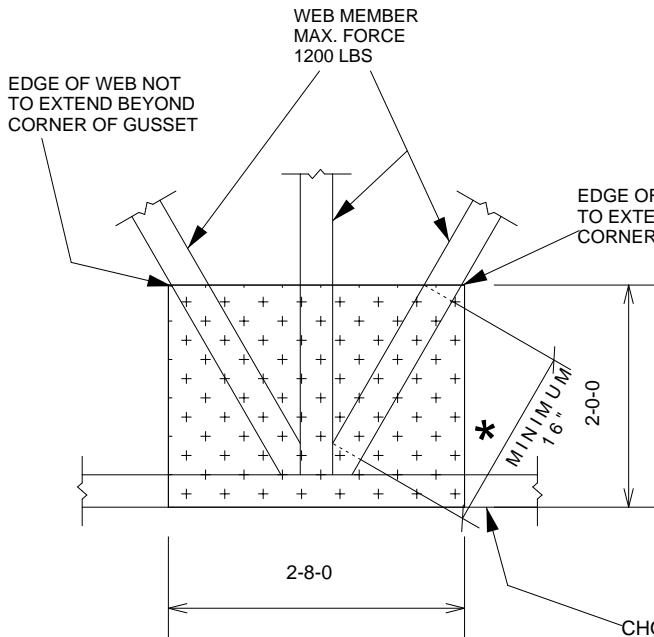


WEB MEMBER
MAX. FORCE
1200 LBS

EDGE OF WEB NOT TO EXTEND BEYOND CORNER OF GUSSET

CHORD

EDGE OF WEB NOT TO EXTEND BEYOND CORNER OF GUSSET



WEB MEMBER
MAX. FORCE
1200 LBS

EDGE OF WEB NOT TO EXTEND BEYOND CORNER OF GUSSET

CHORD



* MEASUREMENT TAKEN AT POINTS WHERE WEB ACHIEVES FULL MEMBER DEPTH (AS MEASURED PERPENDICULAR TO WEB'S SAW-MILLED EDGE)

March 17, 2023

WARNING - Verify design parameters and READ NOTES ON THIS AND INCLUDED MITEK REFERENCE PAGE MII-7473 rev. 5/19/2020 BEFORE USE.

Design valid for use only with MiTek® connectors. This design is based only upon parameters shown, and is for an individual building component, not a truss system. Before use, the building designer must verify the applicability of design parameters and properly incorporate this design into the overall building design. Bracing indicated is to prevent buckling of individual truss web and/or chord members only. Additional temporary and permanent bracing is always required for stability and to prevent collapse with possible personal injury and property damage. For general guidance regarding the fabrication, storage, delivery, erection and bracing of trusses and truss systems, see **ANSI/TPI1 Quality Criteria, DSB-89 and BCSI Building Component**

Safety Information available from Truss Plate Institute, 2670 Crain Highway, Suite 203 Waldorf, MD 20601



818 Soundside Road
Edenton, NC 27932