

RE: J0823-4514  
 Lot 6 Turlington Acres

Trenco  
 818 Soundside Rd  
 Edenton, NC 27932

**Site Information:**

Customer: Project Name: J0823-4514  
 Lot/Block: Model:  
 Address: Subdivision:  
 City: State:

**General Truss Engineering Criteria & Design Loads (Individual Truss Design Drawings Show Special Loading Conditions):**

Design Code: IRC2015/TPI2014 Design Program: MiTek 20/20 8.4  
 Wind Code: ASCE 7-10 Wind Speed: 130 mph  
 Roof Load: 40.0 psf Floor Load: N/A psf

This package includes 15 individual, dated Truss Design Drawings and 0 Additional Drawings.

| No. | Seal#     | Truss Name | Date      |
|-----|-----------|------------|-----------|
| 1   | I59244202 | A1         | 6/28/2023 |
| 2   | I59244203 | A2         | 6/28/2023 |
| 3   | I59244204 | A3         | 6/28/2023 |
| 4   | I59244205 | A4         | 6/28/2023 |
| 5   | I59244206 | B1         | 6/28/2023 |
| 6   | I59244207 | B2         | 6/28/2023 |
| 7   | I59244208 | V1         | 6/28/2023 |
| 8   | I59244209 | V2         | 6/28/2023 |
| 9   | I59244210 | V3         | 6/28/2023 |
| 10  | I59244211 | V4         | 6/28/2023 |
| 11  | I59244212 | V5         | 6/28/2023 |
| 12  | I59244213 | V6         | 6/28/2023 |
| 13  | I59244214 | V7         | 6/28/2023 |
| 14  | I59244215 | V8         | 6/28/2023 |
| 15  | I59244216 | V9         | 6/28/2023 |

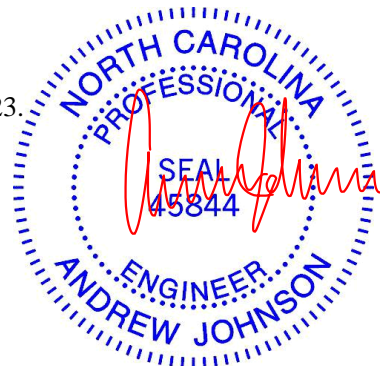
The truss drawing(s) referenced above have been prepared by Truss Engineering Co. under my direct supervision based on the parameters provided by Comtech, Inc - Fayetteville.

Truss Design Engineer's Name: Johnson, Andrew

My license renewal date for the state of North Carolina is December 31, 2023.

North Carolina COA: C-0844

IMPORTANT NOTE: The seal on these truss component designs is a certification that the engineer named is licensed in the jurisdiction(s) identified and that the designs comply with ANSI/TPI 1. These designs are based upon parameters shown (e.g., loads, supports, dimensions, shapes and design codes), which were given to TRENCO. Any project specific information included is for TRENCO customers file reference purpose only, and was not taken into account in the preparation of these designs. TRENCO has not independently verified the applicability of the design parameters or the designs for any particular building. Before use, the building designer should verify applicability of design parameters and properly incorporate these designs into the overall building design per ANSI/TPI 1, Chapter 2.



June 28, 2023

|                   |             |                                    |          |          |                                     |
|-------------------|-------------|------------------------------------|----------|----------|-------------------------------------|
| Job<br>J0823-4514 | Truss<br>A1 | Truss Type<br>COMMON SUPPORTED GAB | Qty<br>1 | Ply<br>1 | Lot 6 Turlington Acres<br>I59244202 |
|-------------------|-------------|------------------------------------|----------|----------|-------------------------------------|

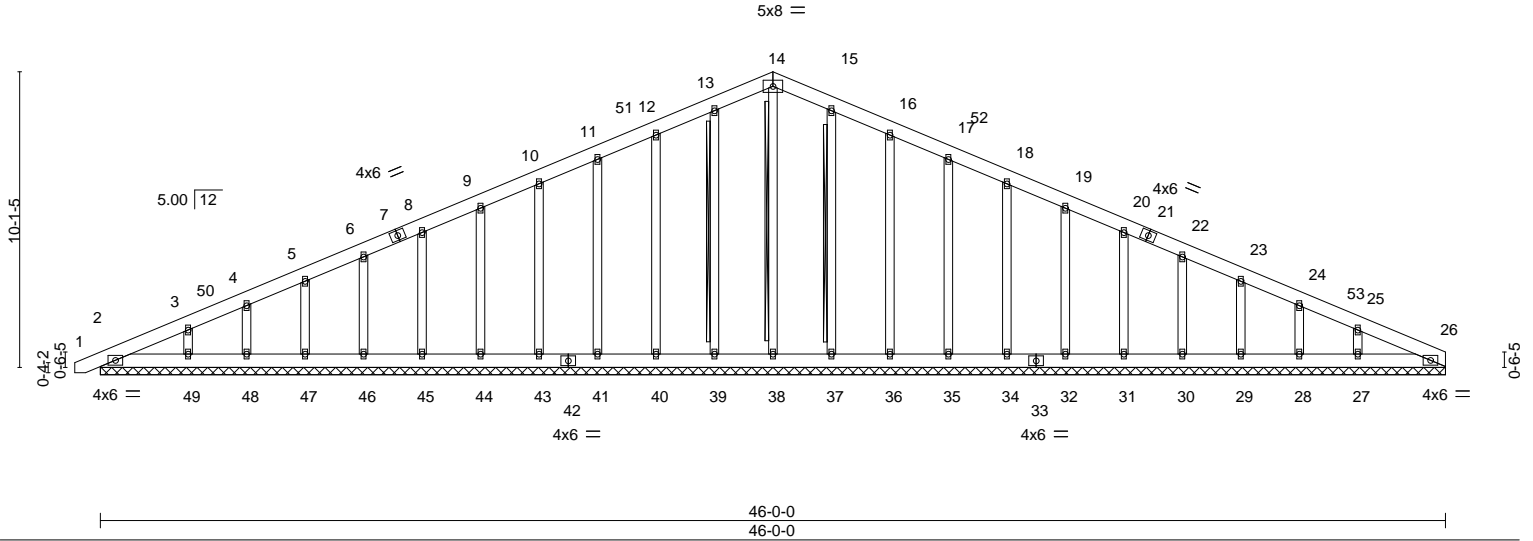
Comtech, Inc. Fayetteville, NC - 28314,

8.430 s Jan 6 2022 MiTek Industries, Inc. Wed Jun 28 14:53:35 2023 Page 1

ID:DdNRY8gEWXv7oZcqu\_L6luzDuwl-RfC?PsB70Hq3NSgPqnL8w3ulTXbGKWrCDoi7J4zJC?f

|                   |                  |                  |
|-------------------|------------------|------------------|
| -0-10-8<br>0-10-8 | 23-0-0<br>23-0-0 | 46-0-0<br>23-0-0 |
|-------------------|------------------|------------------|

Scale = 1:78.8



| LOADING (psf) | SPACING-             | CSI.     | DEFL.    | in (loc) | l/defl | L/d | PLATES         | GRIP     |
|---------------|----------------------|----------|----------|----------|--------|-----|----------------|----------|
| TCLL 20.0     | 2-0-0                | TC 0.05  | Vert(LL) | -0.00    | 1      | n/r | MT20           | 244/190  |
| TCDL 10.0     | Plate Grip DOL 1.15  | BC 0.03  | Vert(CT) | 0.00     | 1      | n/r |                |          |
| BCLL 0.0 *    | Lumber DOL 1.15      | WB 0.13  | Horz(CT) | 0.01     | 26     | n/a |                |          |
| BCDL 10.0     | Rep Stress Incr YES  | Matrix-S |          |          |        |     |                |          |
|               | Code IRC2015/TPI2014 |          |          |          |        |     | Weight: 378 lb | FT = 20% |

**LUMBER-**  
 TOP CHORD 2x6 SP No.1  
 BOT CHORD 2x6 SP No.1  
 OTHERS 2x4 SP No.2

**BRACING-**  
 TOP CHORD Structural wood sheathing directly applied or 6-0-0 oc purlins.  
 BOT CHORD Rigid ceiling directly applied or 10-0-0 oc bracing.  
 WEBS T-Brace: 2x4 SPF No.2 - 14-38, 13-39, 15-37  
 Fasten (2X) T and I braces to narrow edge of web with 10d (0.131"x3") nails, 6in o.c., with 3in minimum end distance.  
 Brace must cover 90% of web length.

**REACTIONS.** All bearings 46-0-0.  
 (lb) - Max Horz 2=204(LC 16)  
 Max Uplift All uplift 100 lb or less at joint(s) 39, 40, 41, 43, 44, 45, 46, 47, 48, 49, 37, 36, 35, 34, 32, 31, 30, 29, 28, 27, 2  
 Max Grav All reactions 250 lb or less at joint(s) 26, 38, 39, 40, 41, 43, 44, 45, 46, 47, 48, 49, 37, 36, 35, 34, 32, 31, 30, 29, 28, 27, 2

**FORCES.** (lb) - Max. Comp./Max. Ten. - All forces 250 (lb) or less except when shown.  
 TOP CHORD 10-11=-85/254, 11-12=-101/301, 12-13=-119/351, 13-14=-131/383, 14-15=-131/385, 15-16=-119/352, 16-17=-101/302, 17-18=-85/255

- NOTES-**
- 1) Unbalanced roof live loads have been considered for this design.
  - 2) Wind: ASCE 7-10; Vult=130mph Vasd=103mph; TCCL=6.0psf; BCDL=6.0psf; h=15ft; Cat. II; Exp C; Enclosed; MWFRS (envelope) gable end zone and C-C Corner(3) -0-8-5 to 3-10-14, Exterior(2) 3-10-14 to 23-0-0, Corner(3) 23-0-0 to 27-7-3, Exterior(2) 27-7-3 to 46-0-0 zone; C-C for members and forces & MWFRS for reactions shown; Lumber DOL=1.60 plate grip DOL=1.60
  - 3) Truss designed for wind loads in the plane of the truss only. For studs exposed to wind (normal to the face), see Standard Industry Gable End Details as applicable, or consult qualified building designer as per ANSI/TPI 1.
  - 4) All plates are 2x4 MT20 unless otherwise indicated.
  - 5) Gable requires continuous bottom chord bearing.
  - 6) Gable studs spaced at 2-0-0 oc.
  - 7) This truss has been designed for a 10.0 psf bottom chord live load nonconcurrent with any other live loads.
  - 8) \* This truss has been designed for a live load of 30.0psf on the bottom chord in all areas where a rectangle 3-6-0 tall by 2-0-0 wide will fit between the bottom chord and any other members.
  - 9) Provide mechanical connection (by others) of truss to bearing plate capable of withstanding 100 lb uplift at joint(s) 39, 40, 41, 43, 44, 45, 46, 47, 48, 49, 37, 36, 35, 34, 32, 31, 30, 29, 28, 27, 2.
  - 10) Warning: Additional permanent and stability bracing for truss system (not part of this component design) is always required.



June 28, 2023

**WARNING - Verify design parameters and READ NOTES ON THIS AND INCLUDED MITEK REFERENCE PAGE MII-7473 rev. 1/2/2023 BEFORE USE.**

Design valid for use only with MiTek® connectors. This design is based only upon parameters shown, and is for an individual building component, not a truss system. Before use, the building designer must verify the applicability of design parameters and properly incorporate this design into the overall building design. Bracing indicated is to prevent buckling of individual truss web and/or chord members only. Additional temporary and permanent bracing is always required for stability and to prevent collapse with possible personal injury and property damage. For general guidance regarding the fabrication, storage, delivery, erection and bracing of trusses and truss systems, see **ANSI/TPH Quality Criteria and DSB-22** available from Truss Plate Institute (www.tpinst.org) and **BCSI Building Component Safety Information** available from the Structural Building Component Association (www.sbcacomponents.com)

ENGINEERING BY  
**TRENCO**  
 A MiTek Affiliate

818 Soundside Road  
 Edenton, NC 27932

|                   |             |                      |           |          |                                     |
|-------------------|-------------|----------------------|-----------|----------|-------------------------------------|
| Job<br>J0823-4514 | Truss<br>A2 | Truss Type<br>COMMON | Qty<br>10 | Ply<br>1 | Lot 6 Turlington Acres<br>159244203 |
|-------------------|-------------|----------------------|-----------|----------|-------------------------------------|

Comtech, Inc. Fayetteville, NC - 28314,

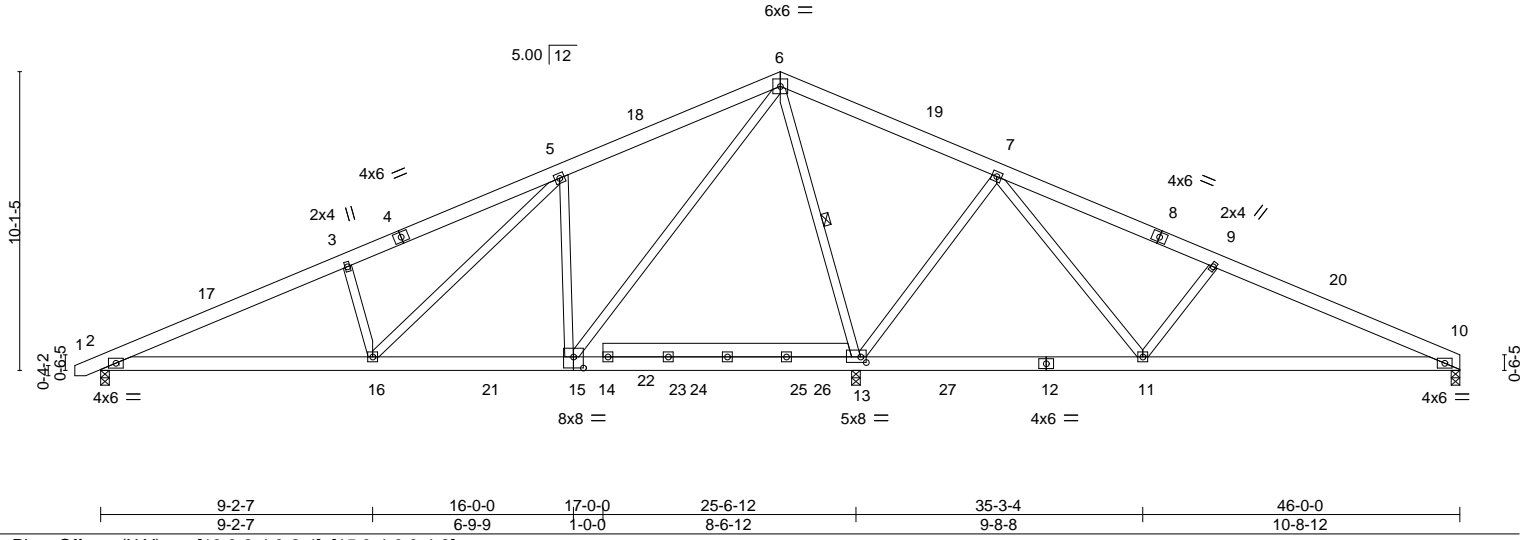
8.430 s Jan 6 2022 MiTek Industries, Inc. Wed Jun 28 14:53:36 2023 Page 1

ID:DdNRY8gEWXv7oZcqu\_L6luzDuwl-RfC?PsB70Hq3NSgPqnL8w3ulTXbGKWrCDoi7J4zJC?f

Job Reference (optional)

|                  |                |                  |                  |                   |                   |                 |
|------------------|----------------|------------------|------------------|-------------------|-------------------|-----------------|
| 0-10-8<br>0-10-8 | 8-4-3<br>8-4-3 | 15-8-2<br>7-3-14 | 23-0-0<br>7-3-14 | 30-3-14<br>7-3-14 | 37-7-13<br>7-3-14 | 46-0-0<br>8-4-3 |
|------------------|----------------|------------------|------------------|-------------------|-------------------|-----------------|

Scale = 1:78.0



|                |                 |                 |                   |                 |                   |
|----------------|-----------------|-----------------|-------------------|-----------------|-------------------|
| 9-2-7<br>9-2-7 | 16-0-0<br>6-9-9 | 17-0-0<br>1-0-0 | 25-6-12<br>8-6-12 | 35-3-4<br>9-8-8 | 46-0-0<br>10-8-12 |
|----------------|-----------------|-----------------|-------------------|-----------------|-------------------|

Plate Offsets (X,Y)-- [13:0-2-4,0-2-4], [15:0-4-0,0-4-8]

| LOADING (psf) | SPACING-             | CSI.     | DEFL.                         | PLATES         | GRIP     |
|---------------|----------------------|----------|-------------------------------|----------------|----------|
| TCLL 20.0     | 2-0-0                | TC 0.30  | in (loc) l/defl L/d           | MT20           | 244/190  |
| TCDL 10.0     | Plate Grip DOL 1.15  | BC 0.37  | Vert(LL) -0.08 10-11 >999 360 |                |          |
| BCLL 0.0 *    | Lumber DOL 1.15      | WB 0.93  | Vert(CT) -0.18 10-11 >999 240 |                |          |
| BCDL 10.0     | Rep Stress Incr YES  | Matrix-S | Horz(CT) 0.01 13 n/a n/a      |                |          |
|               | Code IRC2015/TPI2014 |          | Wind(LL) 0.04 2-16 >999 240   | Weight: 334 lb | FT = 20% |

| LUMBER-   | BRACING-   |
|---|--|
| TOP CHORD 2x6 SP No.1                           | TOP CHORD Structural wood sheathing directly applied or 5-11-9 oc purlins. |
| BOT CHORD 2x6 SP No.1                           | BOT CHORD Rigid ceiling directly applied or 6-0-0 oc bracing.              |
| WEBS 2x4 SP No.2 *Except*<br>13-14: 2x6 SP No.1 | WEBS 1 Row at midpt 6-13   |

**REACTIONS.** (size) 2=0-3-8, 13=0-3-8, 10=0-3-8  
 Max Horz 2=122(LC 16)  
 Max Uplift 2=60(LC 12), 10=81(LC 13)  
 Max Grav 2=881(LC 23), 13=2792(LC 2), 10=535(LC 24)

**FORCES.** (lb) - Max. Comp./Max. Ten. - All forces 250 (lb) or less except when shown.  
 TOP CHORD 2-3=-1462/194, 3-5=-1334/264, 5-6=-657/197, 6-7=-23/996, 7-9=-409/199,  
 9-10=-689/186  
 BOT CHORD 2-16=-123/1265, 15-16=0/571, 13-15=-397/248, 11-13=-423/165, 10-11=-100/578  
 WEBS 3-16=-457/251, 5-16=-225/874, 5-15=-806/341, 6-15=-175/1376, 6-13=-1710/297,  
 7-13=-835/300, 7-11=-127/760, 9-11=-484/273

- NOTES-**
- Unbalanced roof live loads have been considered for this design.
  - Wind: ASCE 7-10; Vult=130mph Vasd=103mph; TC DL=6.0psf; BCDL=6.0psf; h=15ft; Cat. II; Exp C; Enclosed; MWFRS (envelope) and C-C Exterior(2) -0-8-5 to 3-10-14, Interior(1) 3-10-14 to 23-0-0, Exterior(2) 23-0-0 to 27-7-3, Interior(1) 27-7-3 to 45-10-4 zone; C-C for members and forces & MWFRS for reactions shown; Lumber DOL=1.60 plate grip DOL=1.60
  - 200.0lb AC unit load placed on the bottom chord, 21-0-0 from left end, supported at two points, 5-0-0 apart.
  - All plates are 4x4 MT20 unless otherwise stated.
  - This truss has been designed for a 10.0 psf bottom chord live load nonconcurrent with any other live loads.
  - \* This truss has been designed for a live load of 30.0psf on the bottom chord in all areas where a rectangle 3-6-0 tall by 2-0-0 wide will fit between the bottom chord and any other members, with BCDL = 10.0psf.
  - Provide mechanical connection (by others) of truss to bearing plate capable of withstanding 100 lb uplift at joint(s) 2, 10.



|            |       |            |     |     |                          |           |
|------------|-------|------------|-----|-----|--------------------------|-----------|
| Job        | Truss | Truss Type | Qty | Ply | Lot 6 Burlington Acres   |           |
| J0823-4514 | A3    | COMMON     | 8   | 1   |                          | I59244204 |
|            |       |            |     |     | Job Reference (optional) |           |

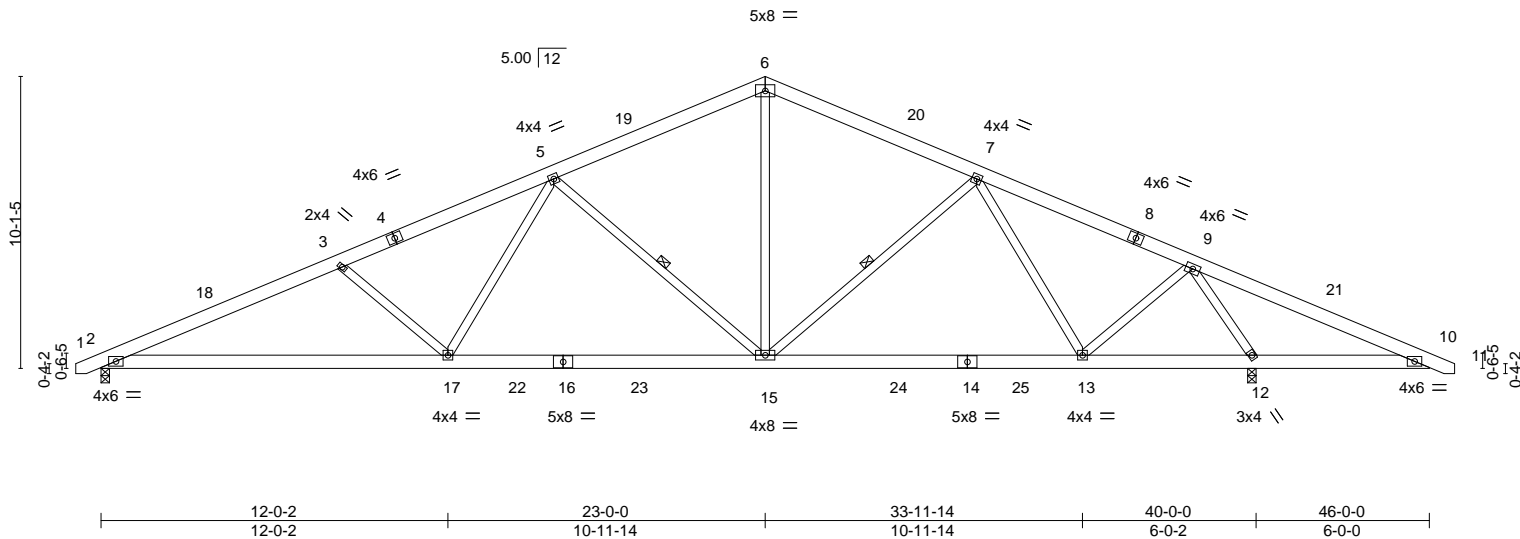
Comtech, Inc. Fayetteville, NC - 28314,

8.430 s Jan 6 2022 MiTek Industries, Inc. Wed Jun 28 14:53:37 2023 Page 1

ID:DdNRY8gEWXv7oZcqu\_L6luzDuwl-RfC?PsB70Hq3NSgPqnL8w3uITXbGKWrCDoi7J4zJC?f

|        |       |        |        |         |         |        |         |
|--------|-------|--------|--------|---------|---------|--------|---------|
| 0-10-8 | 8-4-3 | 15-8-2 | 23-0-0 | 30-3-14 | 37-7-13 | 46-0-0 | 46-10-8 |
| 0-10-8 | 8-4-3 | 7-3-14 | 7-3-14 | 7-3-14  | 7-3-14  | 8-4-3  | 0-10-8  |

Scale = 1:79.8



| LOADING (psf) | SPACING-             | 2-0-0 | CSI.     | DEFL.    | in (loc)    | l/defl | L/d | PLATES         | GRIP     |
|---------------|----------------------|-------|----------|----------|-------------|--------|-----|----------------|----------|
| TCLL 20.0     | Plate Grip DOL       | 1.15  | TC 0.37  | Vert(LL) | -0.20 15-17 | >999   | 360 | MT20           | 244/190  |
| BCDL 10.0     | Lumber DOL           | 1.15  | BC 0.59  | Vert(CT) | -0.33 2-17  | >999   | 240 |                |          |
| BCLL 0.0 *    | Rep Stress Incr      | YES   | WB 0.65  | Horz(CT) | 0.07 12     | n/a    | n/a |                |          |
| BCDL 10.0     | Code IRC2015/TPI2014 |       | Matrix-S | Wind(LL) | 0.08 17     | >999   | 240 |                |          |
|               |                      |       |          |          |             |        |     | Weight: 312 lb | FT = 20% |

**LUMBER-**

TOP CHORD 2x6 SP No.1  
 BOT CHORD 2x6 SP No.1  
 WEBS 2x4 SP No.2

**BRACING-**

TOP CHORD Structural wood sheathing directly applied or 3-10-11 oc purlins.  
 BOT CHORD Rigid ceiling directly applied or 10-0-0 oc bracing, Except:  
 6-0-0 oc bracing: 10-12.  
 WEBS 1 Row at midpt 7-15, 5-15

**REACTIONS.**

(size) 2=0-3-8, 12=0-3-8  
 Max Horz 2=118(LC 12)  
 Max Uplift 2=-127(LC 12), 12=-163(LC 9)  
 Max Grav 2=1603(LC 1), 12=2157(LC 1)

**FORCES.** (lb) - Max. Comp./Max. Ten. - All forces 250 (lb) or less except when shown.

TOP CHORD 2-3=-3237/634, 3-5=-2929/555, 5-6=-1853/445, 6-7=-1853/425, 7-9=-1658/222,  
 9-10=-623/803  
 BOT CHORD 2-17=-473/2924, 15-17=-255/2291, 13-15=-125/1683, 12-13=-15/707, 10-12=-642/652  
 WEBS 6-15=-106/1021, 7-13=-562/302, 9-13=-183/1051, 5-15=-923/291, 5-17=-40/711,  
 3-17=-481/266, 9-12=-2337/755

**NOTES-**

- 1) Unbalanced roof live loads have been considered for this design.
- 2) Wind: ASCE 7-10; Vult=130mph Vasd=103mph; TCDL=6.0psf; BCDL=6.0psf; h=15ft; Cat. II; Exp C; Enclosed; MWFRS (envelope) and C-C Exterior(2) -0-8-5 to 3-10-14, Interior(1) 3-10-14 to 23-0-0, Exterior(2) 23-0-0 to 27-7-3, Interior(1) 27-7-3 to 46-8-5 zone; cantilever right exposed ;C-C for members and forces & MWFRS for reactions shown; Lumber DOL=1.60 plate grip DOL=1.60
- 3) This truss has been designed for a 10.0 psf bottom chord live load nonconcurrent with any other live loads.
- 4) \* This truss has been designed for a live load of 30.0psf on the bottom chord in all areas where a rectangle 3-6-0 tall by 2-0-0 wide will fit between the bottom chord and any other members, with BCDL = 10.0psf.
- 5) Provide mechanical connection (by others) of truss to bearing plate capable of withstanding 100 lb uplift at joint(s) except (jt=lb) 2=127, 12=163.



June 28, 2023

**WARNING - Verify design parameters and READ NOTES ON THIS AND INCLUDED MITEK REFERENCE PAGE MII-7473 rev. 1/2/2023 BEFORE USE.**

Design valid for use only with MiTek® connectors. This design is based only upon parameters shown, and is for an individual building component, not a truss system. Before use, the building designer must verify the applicability of design parameters and properly incorporate this design into the overall building design. Bracing indicated is to prevent buckling of individual truss web and/or chord members only. Additional temporary and permanent bracing is always required for stability and to prevent collapse with possible personal injury and property damage. For general guidance regarding the fabrication, storage, delivery, erection and bracing of trusses and truss systems, see **ANSI/TPH Quality Criteria and DSB-22** available from Truss Plate Institute (www.tpinst.org) and **BCSI Building Component Safety Information** available from the Structural Building Component Association (www.sbccomponents.com)



818 Soundside Road  
 Edenton, NC 27932

|            |       |                    |     |     |                        |           |
|------------|-------|--------------------|-----|-----|------------------------|-----------|
| Job        | Truss | Truss Type         | Qty | Ply | Lot 6 Turlington Acres | 159244205 |
| J0823-4514 | A4    | MODIFIED QUEENPOST | 1   | 1   |                        |           |

Comtech, Inc. Fayetteville, NC - 28314,

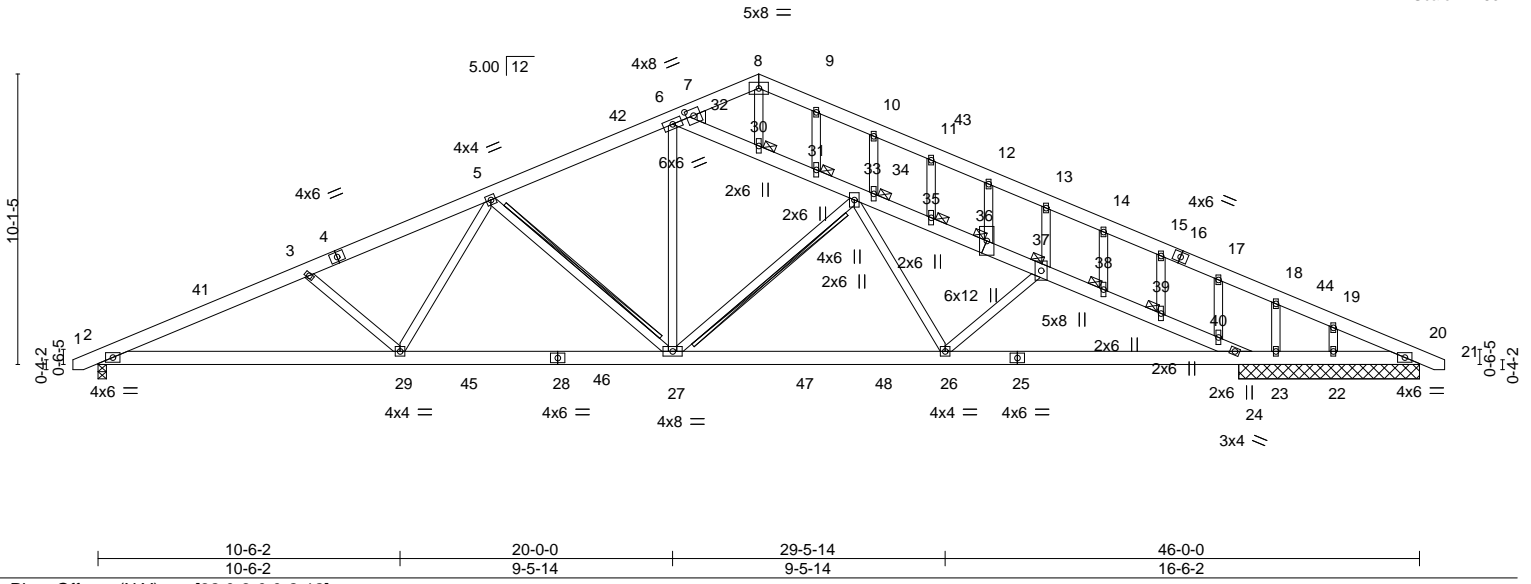
8.430 s Jan 6 2022 MiTek Industries, Inc. Wed Jun 28 14:53:38 2023 Page 1

ID:DdNRY8gEWXv7oZcqu\_L6luzDuwl-RIC?PsB70Hq3NSgPqnL8w3ulTXbGKWrCDoi7J4zJC?f

Job Reference (optional)

|        |       |        |        |        |         |         |        |         |
|--------|-------|--------|--------|--------|---------|---------|--------|---------|
| 0-10-8 | 7-4-3 | 13-8-2 | 20-0-0 | 23-0-0 | 26-3-14 | 32-7-13 | 46-0-0 | 46-10-8 |
| 0-10-8 | 7-4-3 | 6-3-14 | 6-3-14 | 3-0-0  | 3-3-14  | 6-3-14  | 13-4-3 | 0-10-8  |

Scale = 1:80.2



|                       |                      |         |            |              |             |        |     |                |             |
|-----------------------|----------------------|---------|------------|--------------|-------------|--------|-----|----------------|-------------|
| 10-6-2                | 20-0-0               | 29-5-14 | 46-0-0     |              |             |        |     |                |             |
| 10-6-2                | 9-5-14               | 9-5-14  | 16-6-2     |              |             |        |     |                |             |
| Plate Offsets (X,Y)-- | [32:0-3-0,0-2-12]    |         |            |              |             |        |     |                |             |
| <b>LOADING</b> (psf)  | <b>SPACING-</b>      | 2-0-0   | <b>CSL</b> | <b>DEFL.</b> | in (loc)    | l/defl | L/d | <b>PLATES</b>  | <b>GRIP</b> |
| TCLL 20.0             | Plate Grip DOL       | 1.15    | TC 0.30    | Vert(LL)     | -0.17 26-27 | >999   | 360 | MT20           | 244/190     |
| TCDL 10.0             | Lumber DOL           | 1.15    | BC 0.57    | Vert(CT)     | -0.32 26-27 | >999   | 240 |                |             |
| BCLL 0.0 *            | Rep Stress Incr      | YES     | WB 0.32    | Horz(CT)     | 0.10 20     | n/a    | n/a |                |             |
| BCDL 10.0             | Code IRC2015/TPI2014 |         | Matrix-S   | Wind(LL)     | 0.13 27-29  | >999   | 240 | Weight: 379 lb | FT = 20%    |

|  |  |
|--|--|
| <b>LUMBER-</b>                                       | <b>BRACING-</b>  |
| TOP CHORD 2x6 SP No.1                                | TOP CHORD Structural wood sheathing directly applied or 3-10-12 oc purlins.  |
| BOT CHORD 2x6 SP No.1                                | BOT CHORD Rigid ceiling directly applied or 10-0-0 oc bracing. Except:   |
| WEBS 2x4 SP No.2 *Except*<br>6-36,24-36: 2x6 SP No.1 | WEBS T-Brace: 2x4 SPF No.2 - 5-27, 27-33<br>Fasten (2X) T and I braces to narrow edge of web with 10d (0.131"x3") nails, 6in o.c., with 3in minimum end distance.<br>Brace must cover 90% of web length. |
|  | JOINTS 1 Brace at Jt(s): 30, 31, 34, 35, 36, 37, 38, 39  |

**REACTIONS.** All bearings 6-3-8 except (jt=length) 2=0-3-8.  
 (lb) - Max Horz 2=-200(LC 13)  
 Max Uplift All uplift 100 lb or less at joint(s) 22 except 2=-380(LC 12), 23=-460(LC 3), 24=-174(LC 13)  
 Max Grav All reactions 250 lb or less at joint(s) 22 except 2=1670(LC 1), 20=392(LC 1), 24=1709(LC 1)

**FORCES.** (lb) - Max. Comp./Max. Ten. - All forces 250 (lb) or less except when shown.  
 TOP CHORD 2-3=-3446/775, 3-5=-3132/680, 5-6=-2226/534, 6-7=-573/231, 7-8=-568/246, 8-9=-556/238, 9-10=-559/197, 10-11=-566/162, 11-12=-590/143, 12-13=-616/123, 13-14=-584/68, 14-15=-588/43, 15-17=-651/34, 17-18=-645/0, 18-19=-545/0, 19-20=-629/0  
 BOT CHORD 2-29=-818/3111, 27-29=-557/2561, 26-27=-324/2350, 24-26=-520/2949, 23-24=0/565, 22-23=0/565, 20-22=0/565  
 WEBS 6-32=-1605/445, 30-32=-1625/443, 30-31=-1541/424, 31-33=-1585/438, 33-34=-2223/479, 34-35=-2258/516, 35-36=-2280/525, 36-37=-2305/537, 37-38=-2576/690, 38-39=-2614/704, 39-40=-2602/705, 24-40=-2654/732, 3-29=-400/297, 5-29=-83/584, 5-27=-784/345, 6-27=-171/1119, 27-33=-541/232, 26-33=-121/584, 26-37=-464/351, 13-37=-255/205, 18-23=-378/196

- NOTES-**
- Unbalanced roof live loads have been considered for this design.
  - Wind: ASCE 7-10; Vult=130mph Vasd=103mph; TC DL=6.0psf; BCDL=6.0psf; h=15ft; Cat. II; Exp C; Enclosed; MWFRS (envelope) gable end zone and C-C Exterior(2) -0-8-5 to 3-10-14, Interior(1) 3-10-14 to 23-0-0, Exterior(2) 23-0-0 to 27-7-3, Interior(1) 27-7-3 to 46-8-5 zone; C-C for members and forces & MWFRS for reactions shown; Lumber DOL=1.60 plate grip DOL=1.60
  - All plates are 2x4 MT20 unless otherwise indicated.
  - This truss has been designed for a 10.0 psf bottom chord live load nonconcurrent with any other live loads.
  - \* This truss has been designed for a live load of 30.0psf on the bottom chord in all areas where a rectangle 3-6-0 tall by 2-0-0 wide will fit between the bottom chord and any other members, with BCDL = 10.0psf.
  - Provide mechanical connection (by others) of truss to bearing plate capable of withstanding 100 lb uplift at joint(s) 22 except (jt=lb) 2=380, 23=460, 24=174.
  - Warning: Additional permanent and stability bracing for truss system (not part of this component design) is always required.



**WARNING - Verify design parameters and READ NOTES ON THIS AND INCLUDED MITEK REFERENCE PAGE MII-7473 rev. 1/2/2023 BEFORE USE.**  
 Design valid for use only with MiTek® connectors. This design is based only upon parameters shown, and is for an individual building component, not a truss system. Before use, the building designer must verify the applicability of design parameters and properly incorporate this design into the overall building design. Bracing indicated is to prevent buckling of individual truss web and/or chord members only. Additional temporary and permanent bracing is always required for stability and to prevent collapse with possible personal injury and property damage. For general guidance regarding the fabrication, storage, delivery, erection and bracing of trusses and truss systems, see **ANSI/TPH Quality Criteria and DSB-22** available from Truss Plate Institute (www.tpinst.org) and **BCSI Building Component Safety Information** available from the Structural Building Component Association (www.sbcacomponents.com)

**ENGINEERING BY TRENCO**  
 A MiTek Affiliate  
 818 Soundside Road  
 Edenton, NC 27932



|                   |             |                     |          |          |                                     |
|-------------------|-------------|---------------------|----------|----------|-------------------------------------|
| Job<br>J0823-4514 | Truss<br>B1 | Truss Type<br>GABLE | Qty<br>1 | Ply<br>1 | Lot 6 Turlington Acres<br>I59244206 |
|-------------------|-------------|---------------------|----------|----------|-------------------------------------|

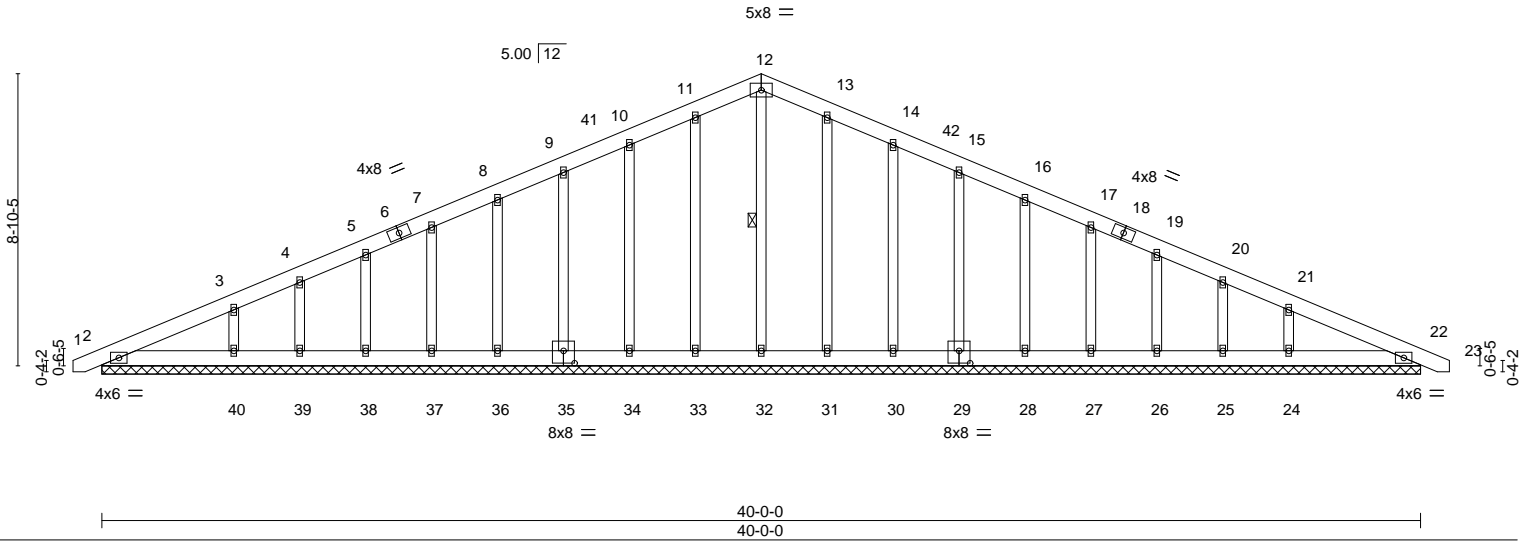
Comtech, Inc. Fayetteville, NC - 28314,

8.430 s Jan 6 2022 MiTek Industries, Inc. Wed Jun 28 14:53:39 2023 Page 1

ID:DdNRY8gEWXv7oZcqu\_L6luzDuwl-RfC?PsB70Hq3NSgPqnL8w3uITXbGKWrCDoi7J4zJC?f

|         |        |        |         |
|---------|--------|--------|---------|
| -0-10-8 | 20-0-0 | 40-0-0 | 40-10-8 |
| 0-10-8  | 20-0-0 | 20-0-0 | 0-10-8  |

Scale = 1:69.9



|                       |                                    |             |                                  |                |             |
|-----------------------|------------------------------------|-------------|----------------------------------|----------------|-------------|
| Plate Offsets (X,Y)-- | [29:0-4-0-0-4-8], [35:0-4-0-0-4-8] |             |                                  |                |             |
| <b>LOADING</b> (psf)  | <b>SPACING-</b> 2-0-0              | <b>CSI.</b> | <b>DEFL.</b> in (loc) l/defl L/d | <b>PLATES</b>  | <b>GRIP</b> |
| TCLL 20.0             | Plate Grip DOL 1.15                | TC 0.05     | Vert(LL) 0.00 23 n/r 120         | MT20           | 244/190     |
| TCDL 10.0             | Lumber DOL 1.15                    | BC 0.04     | Vert(CT) 0.00 23 n/r 120         |                |             |
| BCLL 0.0 *            | Rep Stress Incr YES                | WB 0.12     | Horz(CT) 0.01 22 n/a n/a         |                |             |
| BCDL 10.0             | Code IRC2015/TPI2014               | Matrix-S    |                                  | Weight: 312 lb | FT = 20%    |

|                       |   |
|-----------------------|---|
| <b>LUMBER-</b>        | <b>BRACING-</b>   |
| TOP CHORD 2x6 SP No.1 | TOP CHORD Structural wood sheathing directly applied or 6-0-0 oc purlins. |
| BOT CHORD 2x6 SP No.1 | BOT CHORD Rigid ceiling directly applied or 10-0-0 oc bracing.            |
| OTHERS 2x4 SP No.2    | WEBS 1 Row at midpt 12-32   |

**REACTIONS.** All bearings 40-0-0.  
 (lb) - Max Horz 2=174(LC 13)  
 Max Uplift All uplift 100 lb or less at joint(s) 2, 22, 33, 34, 35, 36, 37, 38, 39, 31, 30, 29, 28, 27, 26, 25 except 40=122(LC 12), 24=121(LC 13)  
 Max Grav All reactions 250 lb or less at joint(s) 2, 22, 32, 33, 34, 35, 36, 37, 38, 39, 31, 30, 29, 28, 27, 26, 25 except 40=315(LC 23), 24=315(LC 24)

**FORCES.** (lb) - Max. Comp./Max. Ten. - All forces 250 (lb) or less except when shown.  
 TOP CHORD 9-10=-86/257, 10-11=-104/306, 11-12=-117/342, 12-13=-117/345, 13-14=-104/310, 14-15=-86/260  
 WEBS 3-40=-222/269, 21-24=-222/269

- NOTES-**
- Unbalanced roof live loads have been considered for this design.
  - Wind: ASCE 7-10; Vult=130mph Vasd=103mph; TC DL=6.0psf; BC DL=6.0psf; h=15ft; Cat. II; Exp C; Enclosed; MWFRS (envelope) gable end zone and C-C Corner(3) -0-8-5 to 4-0-0, Exterior(2) 4-0-0 to 20-0-0, Corner(3) 20-0-0 to 24-4-13, Exterior(2) 24-4-13 to 40-8-5 zone; C-C for members and forces & MWFRS for reactions shown; Lumber DOL=1.60 plate grip DOL=1.60
  - Truss designed for wind loads in the plane of the truss only. For studs exposed to wind (normal to the face), see Standard Industry Gable End Details as applicable, or consult qualified building designer as per ANSI/TPI 1.
  - All plates are 2x4 MT20 unless otherwise indicated.
  - Gable requires continuous bottom chord bearing.
  - Gable studs spaced at 2-0-0 oc.
  - This truss has been designed for a 10.0 psf bottom chord live load nonconcurrent with any other live loads.
  - \* This truss has been designed for a live load of 30.0psf on the bottom chord in all areas where a rectangle 3-6-0 tall by 2-0-0 wide will fit between the bottom chord and any other members.
  - Provide mechanical connection (by others) of truss to bearing plate capable of withstanding 100 lb uplift at joint(s) 2, 22, 33, 34, 35, 36, 37, 38, 39, 31, 30, 29, 28, 27, 26, 25 except (jt=lb) 40=122, 24=121.



|                   |             |                      |          |          |                                     |
|-------------------|-------------|----------------------|----------|----------|-------------------------------------|
| Job<br>J0823-4514 | Truss<br>B2 | Truss Type<br>Common | Qty<br>5 | Ply<br>1 | Lot 6 Turlington Acres<br>I59244207 |
|-------------------|-------------|----------------------|----------|----------|-------------------------------------|

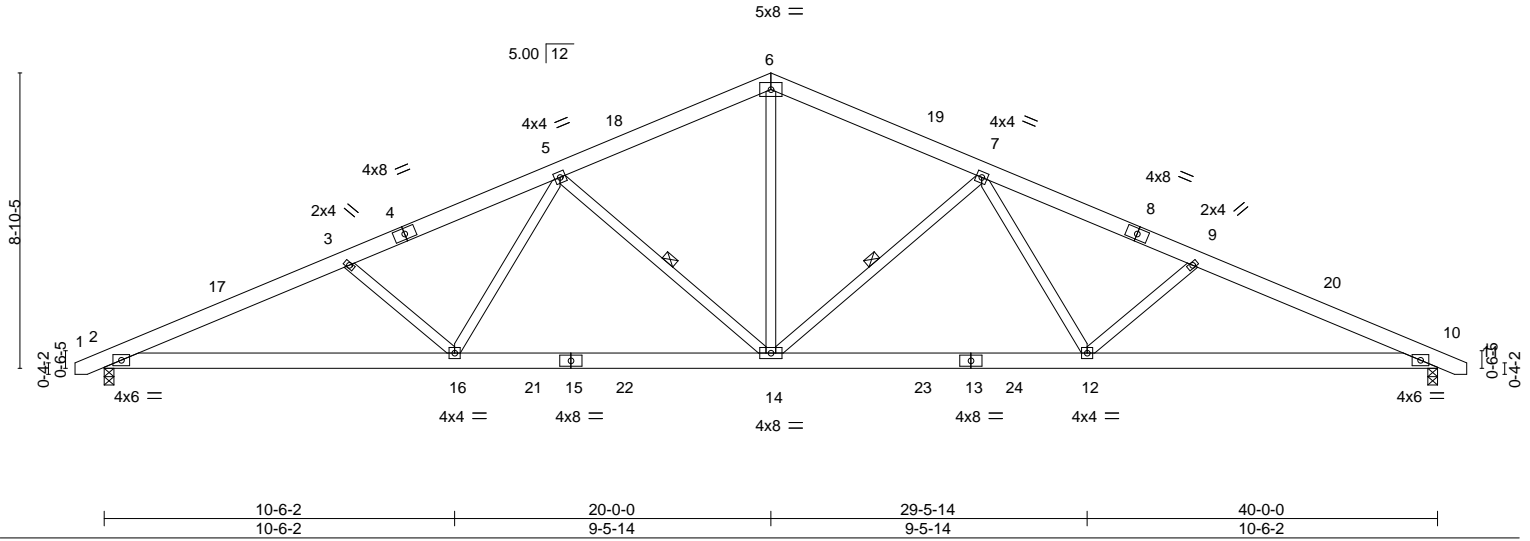
Comtech, Inc. Fayetteville, NC - 28314,

8.430 s Jan 6 2022 MiTek Industries, Inc. Wed Jun 28 14:53:40 2023 Page 1

ID:DdNRY8gEWXv7oZcqu\_L6luzDuwl-RfC?PsB70Hq3NSgPqnL8w3ulTXbGKWrCDoi7J4zJC?f

|        |       |        |        |         |         |        |         |
|--------|-------|--------|--------|---------|---------|--------|---------|
| 0-10-8 | 7-4-3 | 13-8-2 | 20-0-0 | 26-3-14 | 32-7-13 | 40-0-0 | 40-10-8 |
| 0-10-8 | 7-4-3 | 6-3-14 | 6-3-14 | 6-3-14  | 6-3-14  | 7-4-3  | 0-10-8  |

Scale = 1:69.1



| LOADING (psf) | SPACING-             | 2-0-0 | CSI.     | DEFL.    | in (loc)    | l/defl | L/d | PLATES         | GRIP     |
|---------------|----------------------|-------|----------|----------|-------------|--------|-----|----------------|----------|
| TCLL 20.0     | Plate Grip DOL       | 1.15  | TC 0.29  | Vert(LL) | -0.17 12-14 | >999   | 360 | MT20           | 244/190  |
| TCDL 10.0     | Lumber DOL           | 1.15  | BC 0.52  | Vert(CT) | -0.32 12-14 | >999   | 240 |                |          |
| BCLL 0.0 *    | Rep Stress Incr      | YES   | WB 0.31  | Horz(CT) | 0.10 10     | n/a    | n/a |                |          |
| BCDL 10.0     | Code IRC2015/TPI2014 |       | Matrix-S | Wind(LL) | 0.09 14-16  | >999   | 240 |                |          |
|               |                      |       |          |          |             |        |     | Weight: 266 lb | FT = 20% |

**LUMBER-**  
 TOP CHORD 2x6 SP No.1  
 BOT CHORD 2x6 SP No.1  
 WEBS 2x4 SP No.2

**BRACING-**  
 TOP CHORD Structural wood sheathing directly applied or 3-11-6 oc purlins.  
 BOT CHORD Rigid ceiling directly applied or 10-0-0 oc bracing.  
 WEBS 1 Row at midpt 7-14, 5-14

**REACTIONS.** (size) 2=0-3-8, 10=0-3-8  
 Max Horz 2=-103(LC 13)  
 Max Uplift 2=-112(LC 12), 10=-112(LC 13)  
 Max Grav 2=1639(LC 1), 10=1639(LC 1)

**FORCES.** (lb) - Max. Comp./Max. Ten. - All forces 250 (lb) or less except when shown.  
 TOP CHORD 2-3=-3370/704, 3-5=-3053/638, 5-6=-2145/548, 6-7=-2145/548, 7-9=-3053/638, 9-10=-3370/704  
 BOT CHORD 2-16=-547/3041, 14-16=-375/2484, 12-14=-383/2484, 10-12=-540/3041  
 WEBS 6-14=-215/1277, 7-14=-791/252, 7-12=-32/591, 9-12=-403/229, 5-14=-791/252, 5-16=-31/591, 3-16=-403/229

- NOTES-**
- 1) Unbalanced roof live loads have been considered for this design.
  - 2) Wind: ASCE 7-10; Vult=130mph Vasd=103mph; TCDL=6.0psf; BCDL=6.0psf; h=15ft; Cat. II; Exp C; Enclosed; MWFRS (envelope) and C-C Exterior(2) -0-8-5 to 3-8-8, Interior(1) 3-8-8 to 20-0-0, Exterior(2) 20-0-0 to 24-4-13, Interior(1) 24-4-13 to 40-8-5 zone; C-C for members and forces & MWFRS for reactions shown; Lumber DOL=1.60 plate grip DOL=1.60
  - 3) This truss has been designed for a 10.0 psf bottom chord live load nonconcurrent with any other live loads.
  - 4) \* This truss has been designed for a live load of 30.0psf on the bottom chord in all areas where a rectangle 3-6-0 tall by 2-0-0 wide will fit between the bottom chord and any other members, with BCDL = 10.0psf.
  - 5) Provide mechanical connection (by others) of truss to bearing plate capable of withstanding 100 lb uplift at joint(s) except (jt=lb) 2=112, 10=112.



June 28, 2023

**WARNING - Verify design parameters and READ NOTES ON THIS AND INCLUDED MITEK REFERENCE PAGE MII-7473 rev. 1/2/2023 BEFORE USE.**  
 Design valid for use only with MiTek® connectors. This design is based only upon parameters shown, and is for an individual building component, not a truss system. Before use, the building designer must verify the applicability of design parameters and properly incorporate this design into the overall building design. Bracing indicated is to prevent buckling of individual truss web and/or chord members only. Additional temporary and permanent bracing is always required for stability and to prevent collapse with possible personal injury and property damage. For general guidance regarding the fabrication, storage, delivery, erection and bracing of trusses and truss systems, see **ANSI/TPI1 Quality Criteria and DSB-22** available from Truss Plate Institute (www.tpinst.org) and **BCSI Building Component Safety Information** available from the Structural Building Component Association (www.sbcacomponents.com)

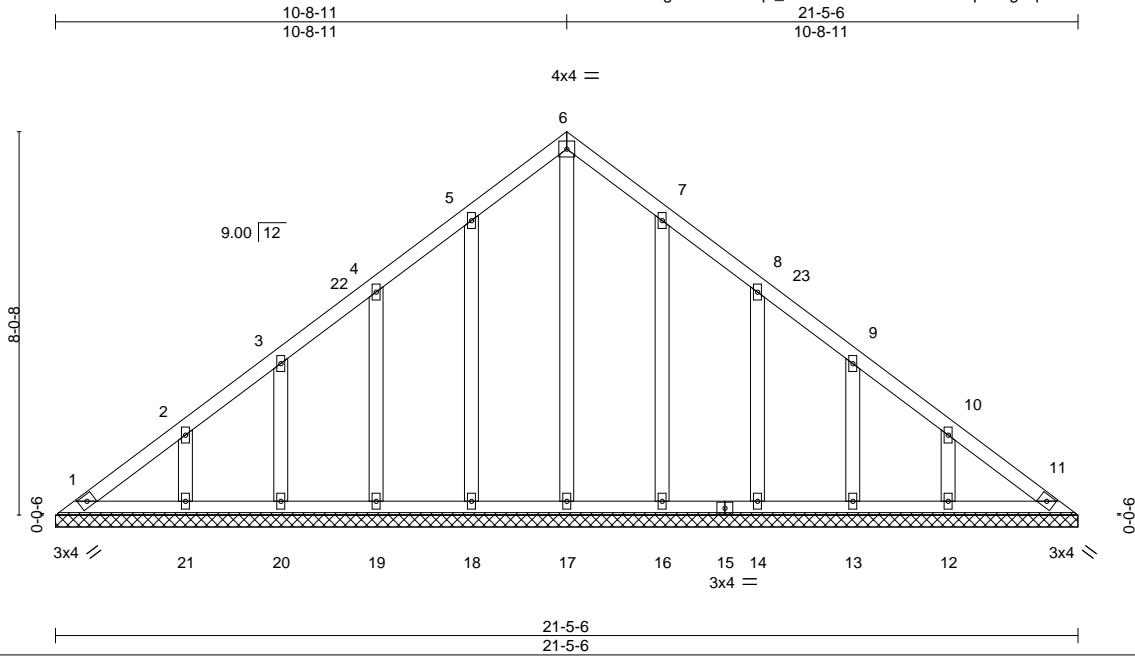
**ENGINEERING BY**  
**TRENCO**  
 A MiTek Affiliate  
 818 Soundside Road  
 Edenton, NC 27932

|                   |             |                     |          |          |                                     |
|-------------------|-------------|---------------------|----------|----------|-------------------------------------|
| Job<br>J0823-4514 | Truss<br>V1 | Truss Type<br>GABLE | Qty<br>1 | Ply<br>1 | Lot 6 Turlington Acres<br>159244208 |
|-------------------|-------------|---------------------|----------|----------|-------------------------------------|

Comtech, Inc. Fayetteville, NC - 28314,

8.430 s Jan 6 2022 MiTek Industries, Inc. Wed Jun 28 14:53:41 2023 Page 1

ID:DdNRY8gEWXv7oZcqu\_L6IuzDuwl-RfC?PsB70Hq3NSgPqnL8w3ulTXbGKWrCDoi7J4zJC?f



|                      |                      |       |             |              |          |        |     |                |             |
|----------------------|----------------------|-------|-------------|--------------|----------|--------|-----|----------------|-------------|
| <b>LOADING</b> (psf) | <b>SPACING-</b>      | 2-0-0 | <b>CSI.</b> | <b>DEFL.</b> | in (loc) | l/defl | L/d | <b>PLATES</b>  | <b>GRIP</b> |
| TCLL 20.0            | Plate Grip DOL       | 1.15  | TC 0.05     | Vert(LL)     | n/a      | -      | n/a | MT20           | 244/190     |
| TCDL 10.0            | Lumber DOL           | 1.15  | BC 0.03     | Vert(CT)     | n/a      | -      | n/a |                |             |
| BCLL 0.0 *           | Rep Stress Incr      | YES   | WB 0.18     | Horz(CT)     | 0.01     | 11     | n/a |                |             |
| BCDL 10.0            | Code IRC2015/TPI2014 |       | Matrix-S    |              |          |        |     | Weight: 126 lb | FT = 20%    |

|                       |   |
|-----------------------|---|
| <b>LUMBER-</b>        | <b>BRACING-</b>   |
| TOP CHORD 2x4 SP No.1 | TOP CHORD Structural wood sheathing directly applied or 6-0-0 oc purlins. |
| BOT CHORD 2x4 SP No.1 | BOT CHORD Rigid ceiling directly applied or 10-0-0 oc bracing.            |
| OTHERS 2x4 SP No.2    |   |

**REACTIONS.** All bearings 21-5-6.  
 (lb) - Max Horz 1=231(LC 9)  
 Max Uplift All uplift 100 lb or less at joint(s) 1, 11, 18, 20, 16, 13 except 19=102(LC 12), 21=122(LC 12), 14=103(LC 13), 12=122(LC 13)  
 Max Grav All reactions 250 lb or less at joint(s) 1, 11, 17, 18, 19, 20, 21, 16, 14, 13, 12

**FORCES.** (lb) - Max. Comp./Max. Ten. - All forces 250 (lb) or less except when shown.

- NOTES-**
- Unbalanced roof live loads have been considered for this design.
  - Wind: ASCE 7-10; Vult=130mph Vasd=103mph; TCCL=6.0psf; BCCL=6.0psf; h=15ft; Cat. II; Exp C; Enclosed; MWFRS (envelope) gable end zone and C-C Exterior(2) 0-5-5 to 4-8-11, Interior(1) 4-8-11 to 10-8-11, Exterior(2) 10-8-11 to 15-1-8, Interior(1) 15-1-8 to 21-0-2 zone; C-C for members and forces & MWFRS for reactions shown; Lumber DOL=1.60 plate grip DOL=1.60
  - All plates are 2x4 MT20 unless otherwise indicated.
  - Gable requires continuous bottom chord bearing.
  - This truss has been designed for a 10.0 psf bottom chord live load nonconcurrent with any other live loads.
  - \* This truss has been designed for a live load of 30.0psf on the bottom chord in all areas where a rectangle 3-6-0 tall by 2-0-0 wide will fit between the bottom chord and any other members.
  - Provide mechanical connection (by others) of truss to bearing plate capable of withstanding 100 lb uplift at joint(s) 1, 11, 18, 20, 16, 13 except (jt=lb) 19=102, 21=122, 14=103, 12=122.



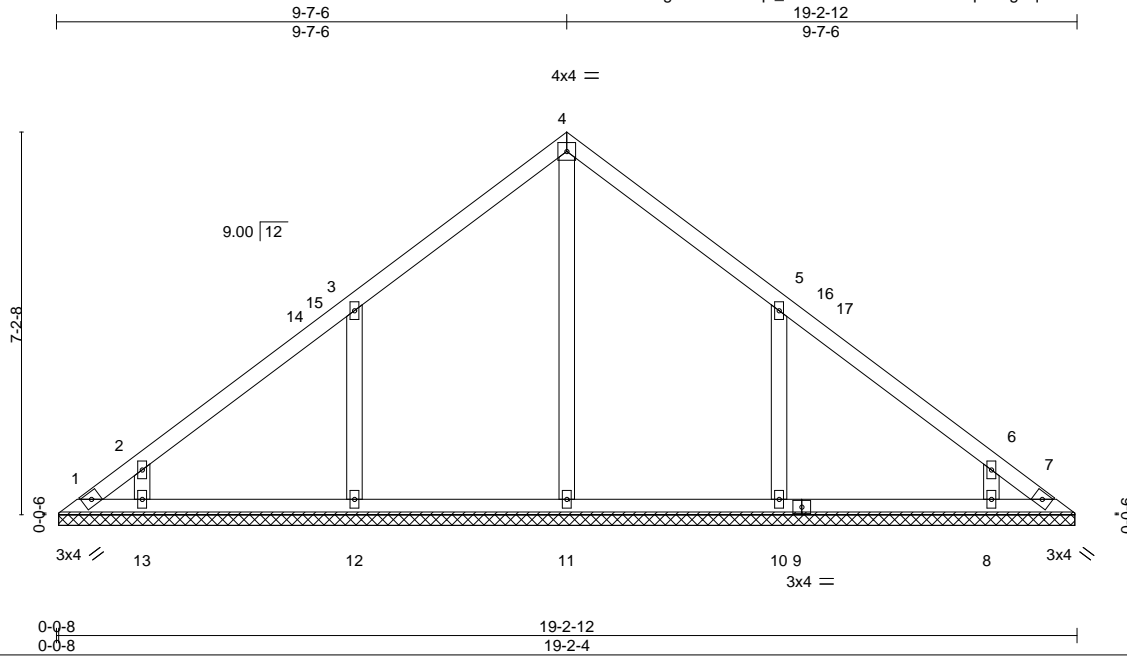


|                   |             |                      |          |          |                                     |
|-------------------|-------------|----------------------|----------|----------|-------------------------------------|
| Job<br>J0823-4514 | Truss<br>V2 | Truss Type<br>Valley | Qty<br>1 | Ply<br>1 | Lot 6 Turlington Acres<br>159244209 |
|-------------------|-------------|----------------------|----------|----------|-------------------------------------|

Comtech, Inc. Fayetteville, NC - 28314,

8.430 s Jan 6 2022 MiTek Industries, Inc. Wed Jun 28 14:53:42 2023 Page 1

ID:DdNRY8gEWXv7oZcqu\_L6IuzDuwl-RfC?PsB70Hq3NSgPqnL8w3ulTXbGKWrCDoi7J4zJC?f



Scale = 1:43.4

| LOADING (psf) | SPACING-             | 2-0-0 | CSI.     | DEFL.    | in (loc) | l/defl | L/d | PLATES        | GRIP     |         |
|---------------|----------------------|-------|----------|----------|----------|--------|-----|---------------|----------|---------|
| TCLL 20.0     | Plate Grip DOL       | 1.15  | TC 0.16  | Vert(LL) | n/a      | -      | n/a | 999           | MT20     | 244/190 |
| TCDL 10.0     | Lumber DOL           | 1.15  | BC 0.19  | Vert(CT) | n/a      | -      | n/a | 999           |          |         |
| BCLL 0.0 *    | Rep Stress Incr      | YES   | WB 0.13  | Horz(CT) | 0.00     | 7      | n/a | n/a           |          |         |
| BCDL 10.0     | Code IRC2015/TPI2014 |       | Matrix-S |          |          |        |     |               |          |         |
|               |                      |       |          |          |          |        |     | Weight: 85 lb | FT = 20% |         |

**LUMBER-**  
 TOP CHORD 2x4 SP No.1  
 BOT CHORD 2x4 SP No.1  
 OTHERS 2x4 SP No.2

**BRACING-**  
 TOP CHORD Structural wood sheathing directly applied or 6-0-0 oc purlins.  
 BOT CHORD Rigid ceiling directly applied or 10-0-0 oc bracing.

**REACTIONS.** All bearings 19-1-12.  
 (lb) - Max Horz 1=-165(LC 8)  
 Max Uplift All uplift 100 lb or less at joint(s) 1, 7, 13, 8 except 12=-122(LC 12), 10=-122(LC 13)  
 Max Grav All reactions 250 lb or less at joint(s) 1, 7 except 11=437(LC 22), 12=468(LC 19), 13=266(LC 19), 10=468(LC 20), 8=266(LC 20)

**FORCES.** (lb) - Max. Comp./Max. Ten. - All forces 250 (lb) or less except when shown.  
 WEBS 3-12=-337/230, 2-13=-259/200, 5-10=-337/230, 6-8=-259/200

**NOTES-**

- 1) Unbalanced roof live loads have been considered for this design.
- 2) Wind: ASCE 7-10; Vult=130mph Vasd=103mph; TC DL=6.0psf; BCDL=6.0psf; h=15ft; Cat. II; Exp C; Enclosed; MWFRS (envelope) and C-C Exterior(2) 0-5-5 to 4-10-1, Interior(1) 4-10-1 to 9-7-6, Exterior(2) 9-7-6 to 14-0-3, Interior(1) 14-0-3 to 18-9-7 zone; C-C for members and forces & MWFRS for reactions shown; Lumber DOL=1.60 plate grip DOL=1.60
- 3) All plates are 2x4 MT20 unless otherwise indicated.
- 4) Gable requires continuous bottom chord bearing.
- 5) This truss has been designed for a 10.0 psf bottom chord live load nonconcurrent with any other live loads.
- 6) \* This truss has been designed for a live load of 30.0psf on the bottom chord in all areas where a rectangle 3-6-0 tall by 2-0-0 wide will fit between the bottom chord and any other members, with BCDL = 10.0psf.
- 7) Provide mechanical connection (by others) of truss to bearing plate capable of withstanding 100 lb uplift at joint(s) 1, 7, 13, 8 except (jt=lb) 12=122, 10=122.



June 28, 2023

**WARNING - Verify design parameters and READ NOTES ON THIS AND INCLUDED MITEK REFERENCE PAGE MII-7473 rev. 1/2/2023 BEFORE USE.**

Design valid for use only with MiTek® connectors. This design is based only upon parameters shown, and is for an individual building component, not a truss system. Before use, the building designer must verify the applicability of design parameters and properly incorporate this design into the overall building design. Bracing indicated is to prevent buckling of individual truss web and/or chord members only. Additional temporary and permanent bracing is always required for stability and to prevent collapse with possible personal injury and property damage. For general guidance regarding the fabrication, storage, delivery, erection and bracing of trusses and truss systems, see **ANSI/TPH Quality Criteria and DSB-22** available from Truss Plate Institute (www.tpinst.org) and **BCSI Building Component Safety Information** available from the Structural Building Component Association (www.sbcacomponents.com)



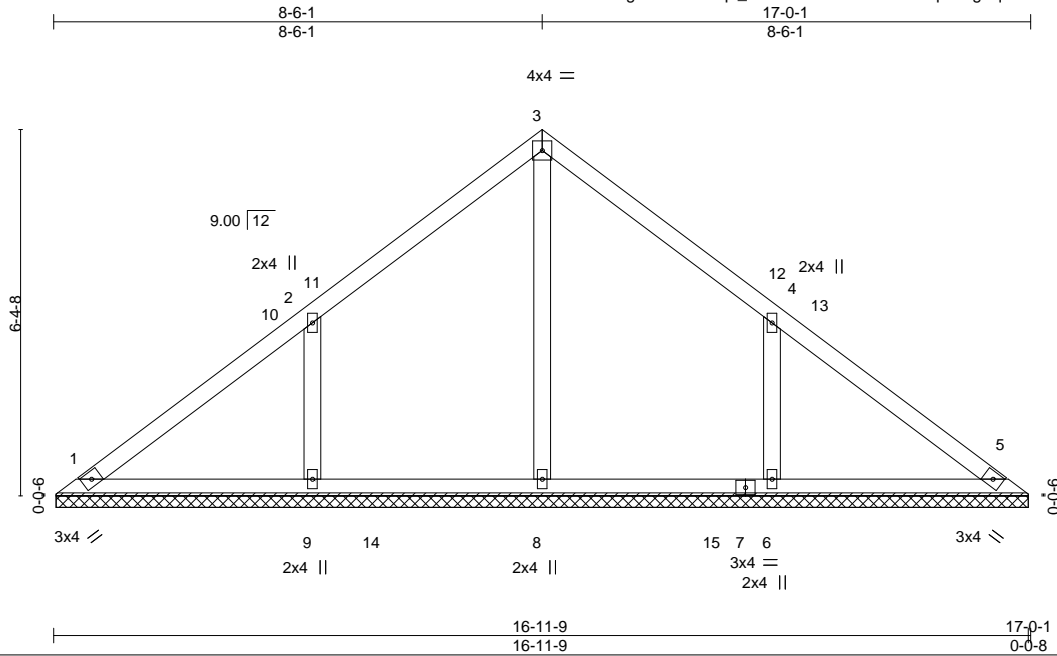
818 Soundside Road  
 Edenton, NC 27932

|                   |             |                      |          |          |                                     |
|-------------------|-------------|----------------------|----------|----------|-------------------------------------|
| Job<br>J0823-4514 | Truss<br>V3 | Truss Type<br>Valley | Qty<br>1 | Ply<br>1 | Lot 6 Turlington Acres<br>159244210 |
|-------------------|-------------|----------------------|----------|----------|-------------------------------------|

Comtech, Inc. Fayetteville, NC - 28314,

8.430 s Jan 6 2022 MiTek Industries, Inc. Wed Jun 28 14:53:43 2023 Page 1

ID:DdNRY8gEWXv7oZcqu\_L6luzDuwl-RfC?PsB70Hq3NSgPqnL8w3ulTXbGKWrcDoi7J4zJC?f



| LOADING (psf) | SPACING-             | CSI.     | DEFL.    | in (loc) | l/defl | L/d | PLATES        | GRIP     |
|---------------|----------------------|----------|----------|----------|--------|-----|---------------|----------|
| TCLL 20.0     | 2-0-0                | TC 0.18  | Vert(LL) | n/a      | -      | n/a | MT20          | 244/190  |
| TCDL 10.0     | Plate Grip DOL 1.15  | BC 0.17  | Vert(CT) | n/a      | -      | n/a |               |          |
| BCLL 0.0 *    | Lumber DOL 1.15      | WB 0.10  | Horz(CT) | 0.00     | 5      | n/a |               |          |
| BCDL 10.0     | Rep Stress Incr YES  | Matrix-S |          |          |        |     | Weight: 72 lb | FT = 20% |
|               | Code IRC2015/TPI2014 |          |          |          |        |     |               |          |

| LUMBER-               | BRACING-  |
|-----------------------|---|
| TOP CHORD 2x4 SP No.1 | TOP CHORD Structural wood sheathing directly applied or 6-0-0 oc purlins. |
| BOT CHORD 2x4 SP No.1 | BOT CHORD Rigid ceiling directly applied or 10-0-0 oc bracing.            |
| OTHERS 2x4 SP No.2    |   |

**REACTIONS.** All bearings 16-11-1.  
 (lb) - Max Horz 1=145(LC 9)  
 Max Uplift All uplift 100 lb or less at joint(s) 1 except 9=134(LC 12), 6=134(LC 13)  
 Max Grav All reactions 250 lb or less at joint(s) 1, 5 except 8=411(LC 19), 9=460(LC 19), 6=460(LC 20)

**FORCES.** (lb) - Max. Comp./Max. Ten. - All forces 250 (lb) or less except when shown.  
**WEBS** 2-9=-362/243, 4-6=-362/243

- NOTES-**
- 1) Unbalanced roof live loads have been considered for this design.
  - 2) Wind: ASCE 7-10; Vult=130mph Vasd=103mph; TCDL=6.0psf; BCDL=6.0psf; h=15ft; Cat. II; Exp C; Enclosed; MWFRS (envelope) and C-C Exterior(2) 0-5-5 to 4-10-1, Interior(1) 4-10-1 to 8-6-1, Exterior(2) 8-6-1 to 12-10-13, Interior(1) 12-10-13 to 16-6-12 zone; C-C for members and forces & MWFRS for reactions shown; Lumber DOL=1.60 plate grip DOL=1.60
  - 3) Gable requires continuous bottom chord bearing.
  - 4) This truss has been designed for a 10.0 psf bottom chord live load nonconcurrent with any other live loads.
  - 5) \* This truss has been designed for a live load of 30.0psf on the bottom chord in all areas where a rectangle 3-6-0 tall by 2-0-0 wide will fit between the bottom chord and any other members, with BCDL = 10.0psf.
  - 6) Provide mechanical connection (by others) of truss to bearing plate capable of withstanding 100 lb uplift at joint(s) 1 except (jt=lb) 9=134, 6=134.

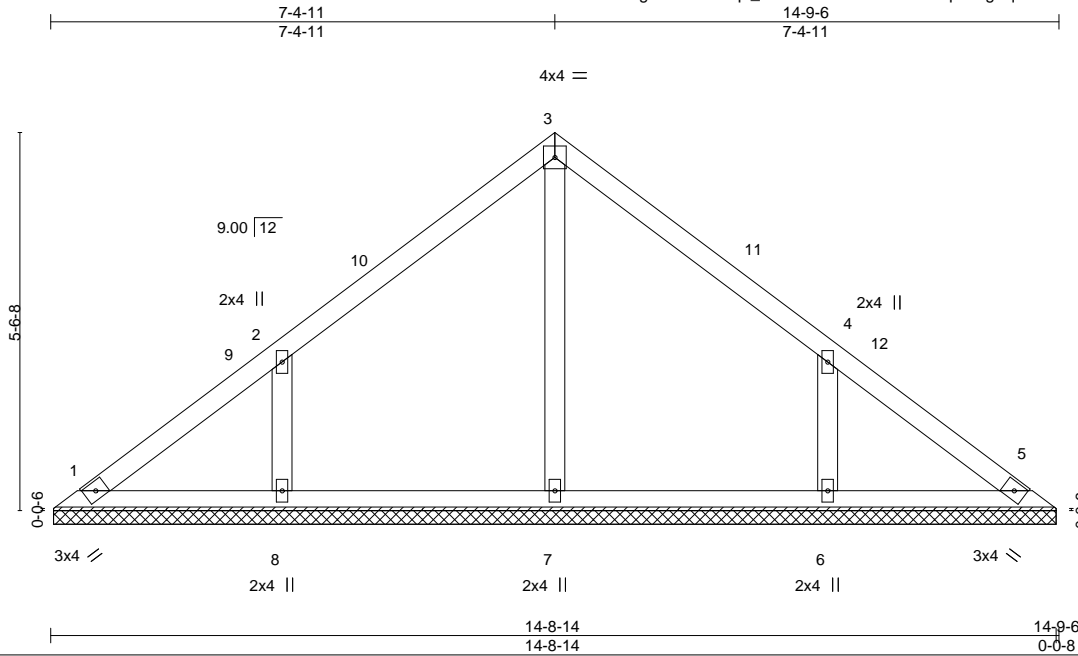


|                   |             |                      |          |          |                                     |
|-------------------|-------------|----------------------|----------|----------|-------------------------------------|
| Job<br>J0823-4514 | Truss<br>V4 | Truss Type<br>Valley | Qty<br>1 | Ply<br>1 | Lot 6 Turlington Acres<br>I59244211 |
|-------------------|-------------|----------------------|----------|----------|-------------------------------------|

Comtech, Inc. Fayetteville, NC - 28314,

8.430 s Jan 6 2022 MiTek Industries, Inc. Wed Jun 28 14:53:44 2023 Page 1

ID:DdNRY8gEWXv7oZcqu\_L6luzDuwl-RfC?PsB70Hq3NSgPqnL8w3ulTXbGKWrCDoi7J4zJC?f



| LOADING (psf) | SPACING-             | CSI.     | DEFL.                   | PLATES        | GRIP     |
|---------------|----------------------|----------|-------------------------|---------------|----------|
| TCLL 20.0     | 2-0-0                | TC 0.14  | in (loc) l/defl L/d     | MT20          | 244/190  |
| TCDL 10.0     | Plate Grip DOL 1.15  | BC 0.08  | Vert(LL) n/a - n/a 999  |               |          |
| BCLL 0.0 *    | Lumber DOL 1.15      | WB 0.08  | Vert(CT) n/a - n/a 999  |               |          |
| BCDL 10.0     | Rep Stress Incr YES  | Matrix-S | Horz(CT) 0.00 5 n/a n/a | Weight: 61 lb | FT = 20% |
|               | Code IRC2015/TPI2014 |          |                         |               |          |

| LUMBER-               | BRACING-  |
|-----------------------|---|
| TOP CHORD 2x4 SP No.1 | TOP CHORD Structural wood sheathing directly applied or 6-0-0 oc purlins. |
| BOT CHORD 2x4 SP No.1 | BOT CHORD Rigid ceiling directly applied or 10-0-0 oc bracing.            |
| OTHERS 2x4 SP No.2    |   |

**REACTIONS.** All bearings 14-8-6.  
 (lb) - Max Horz 1=125(LC 11)  
 Max Uplift All uplift 100 lb or less at joint(s) 1 except 8=116(LC 12), 6=116(LC 13)  
 Max Grav All reactions 250 lb or less at joint(s) 1, 5, 7 except 8=357(LC 19), 6=357(LC 20)

**FORCES.** (lb) - Max. Comp./Max. Ten. - All forces 250 (lb) or less except when shown.  
**WEBS** 2-8=-316/223, 4-6=-316/223

- NOTES-**
- Unbalanced roof live loads have been considered for this design.
  - Wind: ASCE 7-10; Vult=130mph Vasd=103mph; TCDL=6.0psf; BCDL=6.0psf; h=15ft; Cat. II; Exp C; Enclosed; MWFRS (envelope) and C-C Exterior(2) 0-5-5 to 4-10-1, Interior(1) 4-10-1 to 7-4-11, Exterior(2) 7-4-11 to 11-9-8, Interior(1) 11-9-8 to 14-4-2 zone;C-C for members and forces & MWFRS for reactions shown; Lumber DOL=1.60 plate grip DOL=1.60
  - Gable requires continuous bottom chord bearing.
  - This truss has been designed for a 10.0 psf bottom chord live load nonconcurrent with any other live loads.
  - \* This truss has been designed for a live load of 30.0psf on the bottom chord in all areas where a rectangle 3-6-0 tall by 2-0-0 wide will fit between the bottom chord and any other members.
  - Provide mechanical connection (by others) of truss to bearing plate capable of withstanding 100 lb uplift at joint(s) 1 except (jt=lb) 8=116, 6=116.

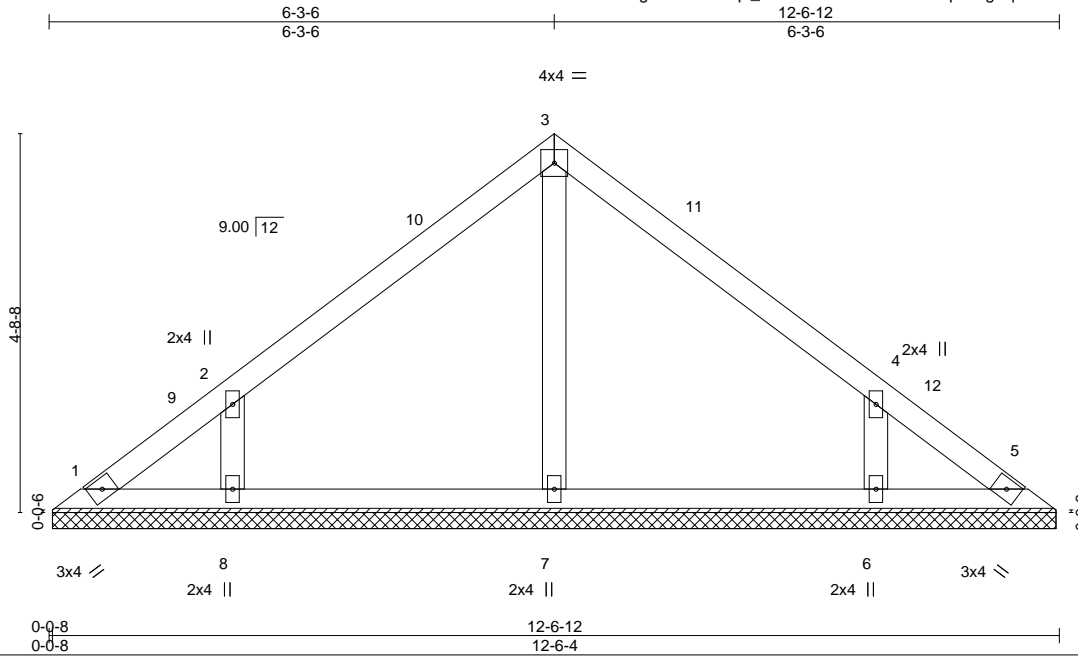


|                   |             |                      |          |          |                                     |
|-------------------|-------------|----------------------|----------|----------|-------------------------------------|
| Job<br>J0823-4514 | Truss<br>V5 | Truss Type<br>Valley | Qty<br>1 | Ply<br>1 | Lot 6 Turlington Acres<br>I59244212 |
|-------------------|-------------|----------------------|----------|----------|-------------------------------------|

Comtech, Inc. Fayetteville, NC - 28314,

8.430 s Jan 6 2022 MiTek Industries, Inc. Wed Jun 28 14:53:45 2023 Page 1

ID:DdNRY8gEWXv7oZcqu\_L6luzDuwl-RfC?PsB70Hq3NSgPqnL8w3ulTXbGKWrCDoi7J4zJC?f



Scale = 1:28.6

| LOADING (psf) | SPACING-             | 2-0-0 | CSI.     | DEFL.    | in (loc) | l/defl | L/d | PLATES | GRIP          |          |
|---------------|----------------------|-------|----------|----------|----------|--------|-----|--------|---------------|----------|
| TCLL 20.0     | Plate Grip DOL       | 1.15  | TC 0.13  | Vert(LL) | n/a      | -      | n/a | 999    | MT20          | 244/190  |
| TCDL 10.0     | Lumber DOL           | 1.15  | BC 0.09  | Vert(CT) | n/a      | -      | n/a | 999    |               |          |
| BCLL 0.0 *    | Rep Stress Incr      | YES   | WB 0.06  | Horz(CT) | 0.00     | 5      | n/a | n/a    |               |          |
| BCDL 10.0     | Code IRC2015/TPI2014 |       | Matrix-S |          |          |        |     |        | Weight: 50 lb | FT = 20% |

**LUMBER-**  
 TOP CHORD 2x4 SP No.1  
 BOT CHORD 2x4 SP No.1  
 OTHERS 2x4 SP No.2

**BRACING-**  
 TOP CHORD Structural wood sheathing directly applied or 6-0-0 oc purlins.  
 BOT CHORD Rigid ceiling directly applied or 10-0-0 oc bracing.

**REACTIONS.** All bearings 12-5-12.  
 (lb) - Max Horz 1=105(LC 9)  
 Max Uplift All uplift 100 lb or less at joint(s) 1, 5 except 8=107(LC 12), 6=107(LC 13)  
 Max Grav All reactions 250 lb or less at joint(s) 1, 5 except 7=253(LC 1), 8=320(LC 19), 6=320(LC 20)

**FORCES.** (lb) - Max. Comp./Max. Ten. - All forces 250 (lb) or less except when shown.  
**WEBS** 2-8=-294/219, 4-6=-294/219

- NOTES-**
- Unbalanced roof live loads have been considered for this design.
  - Wind: ASCE 7-10; Vult=130mph Vasd=103mph; TCDL=6.0psf; BCDL=6.0psf; h=15ft; Cat. II; Exp C; Enclosed; MWFRS (envelope) and C-C Exterior(2) 0-5-5 to 4-10-1, Interior(1) 4-10-1 to 6-3-6, Exterior(2) 6-3-6 to 10-8-3, Interior(1) 10-8-3 to 12-1-7 zone; C-C for members and forces & MWFRS for reactions shown; Lumber DOL=1.60 plate grip DOL=1.60
  - Gable requires continuous bottom chord bearing.
  - This truss has been designed for a 10.0 psf bottom chord live load nonconcurrent with any other live loads.
  - \* This truss has been designed for a live load of 30.0psf on the bottom chord in all areas where a rectangle 3-6-0 tall by 2-0-0 wide will fit between the bottom chord and any other members.
  - Provide mechanical connection (by others) of truss to bearing plate capable of withstanding 100 lb uplift at joint(s) 1, 5 except (jt=lb) 8=107, 6=107.



June 28, 2023

**WARNING - Verify design parameters and READ NOTES ON THIS AND INCLUDED MITEK REFERENCE PAGE MII-7473 rev. 1/2/2023 BEFORE USE.**

Design valid for use only with MiTek® connectors. This design is based only upon parameters shown, and is for an individual building component, not a truss system. Before use, the building designer must verify the applicability of design parameters and properly incorporate this design into the overall building design. Bracing indicated is to prevent buckling of individual truss web and/or chord members only. Additional temporary and permanent bracing is always required for stability and to prevent collapse with possible personal injury and property damage. For general guidance regarding the fabrication, storage, delivery, erection and bracing of trusses and truss systems, see **ANSI/TPH Quality Criteria and DSB-22** available from Truss Plate Institute (www.tpinst.org) and **BCSI Building Component Safety Information** available from the Structural Building Component Association (www.sbcacomponents.com)



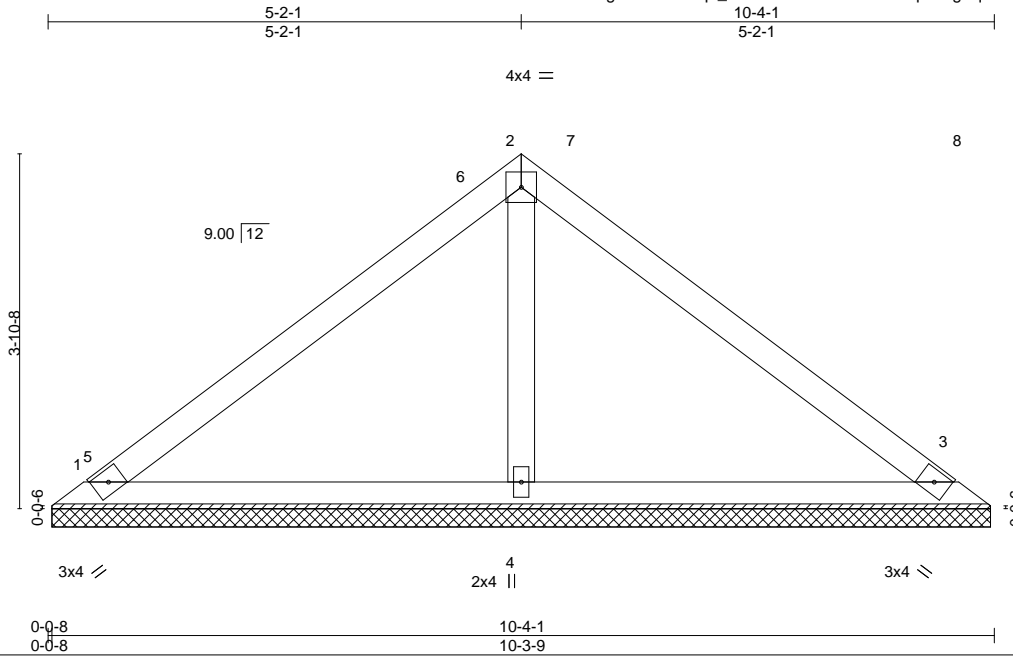
818 Soundside Road  
 Edenton, NC 27932

|                   |             |                      |          |          |                                     |
|-------------------|-------------|----------------------|----------|----------|-------------------------------------|
| Job<br>J0823-4514 | Truss<br>V6 | Truss Type<br>Valley | Qty<br>1 | Ply<br>1 | Lot 6 Turlington Acres<br>I59244213 |
|-------------------|-------------|----------------------|----------|----------|-------------------------------------|

Comtech, Inc. Fayetteville, NC - 28314,

8.430 s Jan 6 2022 MiTek Industries, Inc. Wed Jun 28 14:53:45 2023 Page 1

ID:DdNRY8gEWXv7oZcqu\_L6luzDuwl-RfC?PsB70Hq3NSgPqnL8w3ulTXbGKWrCDoi7J4zJC?f



| LOADING (psf) | SPACING-             | CSI.     | DEFL.    | in (loc) | l/defl | L/d | PLATES        | GRIP     |
|---------------|----------------------|----------|----------|----------|--------|-----|---------------|----------|
| TCLL 20.0     | 2-0-0                | TC 0.23  | Vert(LL) | n/a      | -      | n/a | MT20          | 244/190  |
| TCDL 10.0     | Plate Grip DOL 1.15  | BC 0.16  | Vert(CT) | n/a      | -      | n/a |               |          |
| BCLL 0.0 *    | Lumber DOL 1.15      | WB 0.05  | Horz(CT) | 0.00     | 3      | n/a |               |          |
| BCDL 10.0     | Rep Stress Incr YES  | Matrix-S |          |          |        |     | Weight: 38 lb | FT = 20% |
|               | Code IRC2015/TPI2014 |          |          |          |        |     |               |          |

| LUMBER-               | BRACING-  |
|-----------------------|---|
| TOP CHORD 2x4 SP No.1 | TOP CHORD Structural wood sheathing directly applied or 6-0-0 oc purlins. |
| BOT CHORD 2x4 SP No.1 | BOT CHORD Rigid ceiling directly applied or 10-0-0 oc bracing.            |
| OTHERS 2x4 SP No.2    |   |

**REACTIONS.** (size) 1=10-3-1, 3=10-3-1, 4=10-3-1  
 Max Horz 1=85(LC 11)  
 Max Uplift 1=23(LC 12), 3=31(LC 13)  
 Max Grav 1=195(LC 1), 3=195(LC 1), 4=366(LC 1)

**FORCES.** (lb) - Max. Comp./Max. Ten. - All forces 250 (lb) or less except when shown.

**NOTES-**

- 1) Unbalanced roof live loads have been considered for this design.
- 2) Wind: ASCE 7-10; Vult=130mph Vasd=103mph; TCCL=6.0psf; BCDL=6.0psf; h=15ft; Cat. II; Exp C; Enclosed; MWFRS (envelope) and C-C Exterior(2) 0-5-5 to 4-10-1, Interior(1) 4-10-1 to 5-2-1, Exterior(2) 5-2-1 to 9-6-13, Interior(1) 9-6-13 to 9-10-12 zone; C-C for members and forces & MWFRS for reactions shown; Lumber DOL=1.60 plate grip DOL=1.60
- 3) Gable requires continuous bottom chord bearing.
- 4) This truss has been designed for a 10.0 psf bottom chord live load nonconcurrent with any other live loads.
- 5) \* This truss has been designed for a live load of 30.0psf on the bottom chord in all areas where a rectangle 3-6-0 tall by 2-0-0 wide will fit between the bottom chord and any other members.
- 6) Provide mechanical connection (by others) of truss to bearing plate capable of withstanding 100 lb uplift at joint(s) 1, 3.



June 28, 2023

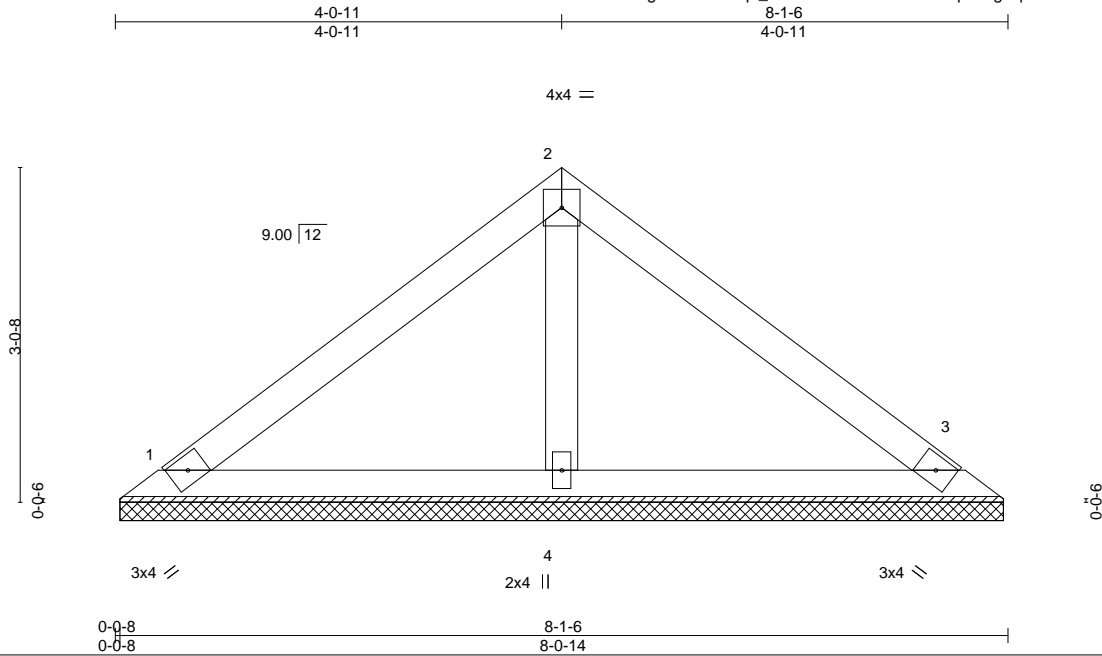


|                   |             |                      |          |          |                                     |
|-------------------|-------------|----------------------|----------|----------|-------------------------------------|
| Job<br>J0823-4514 | Truss<br>V7 | Truss Type<br>Valley | Qty<br>1 | Ply<br>1 | Lot 6 Turlington Acres<br>I59244214 |
|-------------------|-------------|----------------------|----------|----------|-------------------------------------|

Comtech, Inc. Fayetteville, NC - 28314,

8.430 s Jan 6 2022 MiTek Industries, Inc. Wed Jun 28 14:53:46 2023 Page 1

ID:DdNRY8gEWXv7oZcqu\_L6luzDuwl-RfC?PsB70Hq3NSgPqnL8w3ulTXbGKWrCDoi7J4zJC?f



Scale = 1:21.0

| LOADING (psf) | SPACING-             | CSI.     | DEFL.    | in (loc) | l/defl | L/d | PLATES        | GRIP     |
|---------------|----------------------|----------|----------|----------|--------|-----|---------------|----------|
| TCLL 20.0     | 2-0-0                | TC 0.18  | Vert(LL) | n/a      | -      | n/a | MT20          | 244/190  |
| TCDL 10.0     | Plate Grip DOL 1.15  | BC 0.10  | Vert(CT) | n/a      | -      | n/a |               |          |
| BCLL 0.0 *    | Lumber DOL 1.15      | WB 0.03  | Horz(CT) | 0.00     | 3      | n/a |               |          |
| BCDL 10.0     | Rep Stress Incr YES  | Matrix-P |          |          |        |     | Weight: 29 lb | FT = 20% |
|               | Code IRC2015/TPI2014 |          |          |          |        |     |               |          |

**LUMBER-**  
 TOP CHORD 2x4 SP No.1  
 BOT CHORD 2x4 SP No.1  
 OTHERS 2x4 SP No.2

**BRACING-**  
 TOP CHORD Structural wood sheathing directly applied or 6-0-0 oc purlins.  
 BOT CHORD Rigid ceiling directly applied or 10-0-0 oc bracing.

**REACTIONS.** (size) 1=8-0-6, 3=8-0-6, 4=8-0-6  
 Max Horz 1=65(LC 10)  
 Max Uplift 1=25(LC 12), 3=31(LC 13)  
 Max Grav 1=162(LC 1), 3=162(LC 1), 4=254(LC 1)

**FORCES.** (lb) - Max. Comp./Max. Ten. - All forces 250 (lb) or less except when shown.

**NOTES-**

- Unbalanced roof live loads have been considered for this design.
- Wind: ASCE 7-10; Vult=130mph Vasd=103mph; TC DL=6.0psf; BCDL=6.0psf; h=15ft; Cat. II; Exp C; Enclosed; MWFRS (envelope) and C-C Exterior(2) zone; C-C for members and forces & MWFRS for reactions shown; Lumber DOL=1.60 plate grip DOL=1.60
- Gable requires continuous bottom chord bearing.
- This truss has been designed for a 10.0 psf bottom chord live load nonconcurrent with any other live loads.
- \* This truss has been designed for a live load of 30.0psf on the bottom chord in all areas where a rectangle 3-6-0 tall by 2-0-0 wide will fit between the bottom chord and any other members.
- Provide mechanical connection (by others) of truss to bearing plate capable of withstanding 100 lb uplift at joint(s) 1, 3.



June 28, 2023

**WARNING - Verify design parameters and READ NOTES ON THIS AND INCLUDED MITEK REFERENCE PAGE MII-7473 rev. 1/2/2023 BEFORE USE.**

Design valid for use only with MiTek® connectors. This design is based only upon parameters shown, and is for an individual building component, not a truss system. Before use, the building designer must verify the applicability of design parameters and properly incorporate this design into the overall building design. Bracing indicated is to prevent buckling of individual truss web and/or chord members only. Additional temporary and permanent bracing is always required for stability and to prevent collapse with possible personal injury and property damage. For general guidance regarding the fabrication, storage, delivery, erection and bracing of trusses and truss systems, see **ANSI/TP1 Quality Criteria and DSB-22** available from Truss Plate Institute ([www.tpinst.org](http://www.tpinst.org)) and **BCSI Building Component Safety Information** available from the Structural Building Component Association ([www.sbcacomponents.com](http://www.sbcacomponents.com))



818 Soundside Road  
 Edenton, NC 27932

|                   |             |                      |          |          |                                     |
|-------------------|-------------|----------------------|----------|----------|-------------------------------------|
| Job<br>J0823-4514 | Truss<br>V8 | Truss Type<br>Valley | Qty<br>1 | Ply<br>1 | Lot 6 Turlington Acres<br>I59244215 |
|-------------------|-------------|----------------------|----------|----------|-------------------------------------|

Comtech, Inc. Fayetteville, NC - 28314,

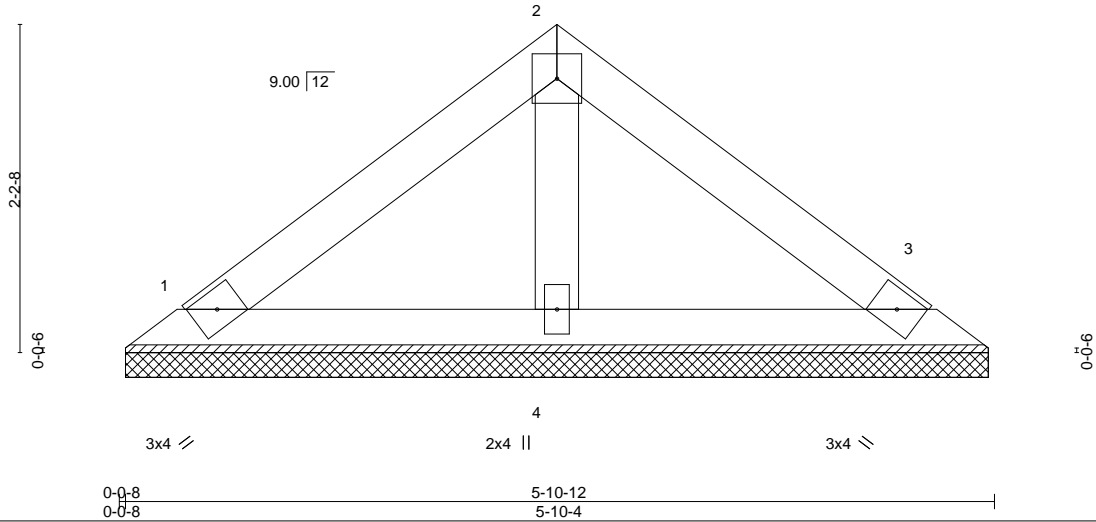
8.430 s Jan 6 2022 MiTek Industries, Inc. Wed Jun 28 14:53:47 2023 Page 1

ID:DdNRY8gEWXv7oZcqu\_L6luzDuwl-RfC?PsB70Hq3NSgPqnL8w3ulTXbGKWrCDoi7J4zJC?f



4x4 =

Scale = 1:15.5



| LOADING (psf) | SPACING-             | CSI.     | DEFL.    | in (loc) | l/defl | L/d | PLATES        | GRIP     |
|---------------|----------------------|----------|----------|----------|--------|-----|---------------|----------|
| TCLL 20.0     | 2-0-0                | TC 0.08  | Vert(LL) | n/a      | -      | n/a | MT20          | 244/190  |
| TCDL 10.0     | Plate Grip DOL 1.15  | BC 0.05  | Vert(CT) | n/a      | -      | n/a |               |          |
| BCLL 0.0 *    | Lumber DOL 1.15      | WB 0.01  | Horz(CT) | 0.00     | 3      | n/a |               |          |
| BCDL 10.0     | Rep Stress Incr YES  | Matrix-P |          |          |        |     | Weight: 20 lb | FT = 20% |
|               | Code IRC2015/TPI2014 |          |          |          |        |     |               |          |

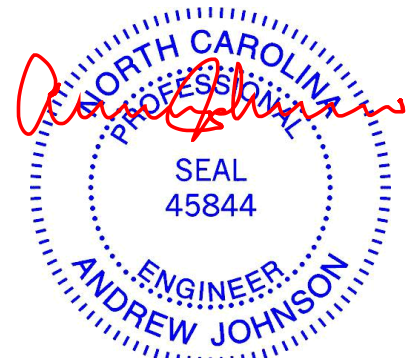
**LUMBER-**  
 TOP CHORD 2x4 SP No.1  
 BOT CHORD 2x4 SP No.1  
 OTHERS 2x4 SP No.2

**BRACING-**  
 TOP CHORD Structural wood sheathing directly applied or 5-10-12 oc purlins.  
 BOT CHORD Rigid ceiling directly applied or 10-0-0 oc bracing.

**REACTIONS.** (size) 1=5-9-12, 3=5-9-12, 4=5-9-12  
 Max Horz 1=-45(LC 8)  
 Max Uplift 1=-17(LC 12), 3=-22(LC 13)  
 Max Grav 1=113(LC 1), 3=113(LC 1), 4=176(LC 1)

**FORCES.** (lb) - Max. Comp./Max. Ten. - All forces 250 (lb) or less except when shown.

- NOTES-**
- 1) Unbalanced roof live loads have been considered for this design.
  - 2) Wind: ASCE 7-10; Vult=130mph Vasd=103mph; TC DL=6.0psf; BCDL=6.0psf; h=15ft; Cat. II; Exp C; Enclosed; MWFRS (envelope) and C-C Exterior(2) zone; C-C for members and forces & MWFRS for reactions shown; Lumber DOL=1.60 plate grip DOL=1.60
  - 3) Gable requires continuous bottom chord bearing.
  - 4) This truss has been designed for a 10.0 psf bottom chord live load nonconcurrent with any other live loads.
  - 5) \* This truss has been designed for a live load of 30.0psf on the bottom chord in all areas where a rectangle 3-6-0 tall by 2-0-0 wide will fit between the bottom chord and any other members.
  - 6) Provide mechanical connection (by others) of truss to bearing plate capable of withstanding 100 lb uplift at joint(s) 1, 3.



June 28, 2023

**WARNING - Verify design parameters and READ NOTES ON THIS AND INCLUDED MITEK REFERENCE PAGE MII-7473 rev. 1/2/2023 BEFORE USE.**

Design valid for use only with MiTek® connectors. This design is based only upon parameters shown, and is for an individual building component, not a truss system. Before use, the building designer must verify the applicability of design parameters and properly incorporate this design into the overall building design. Bracing indicated is to prevent buckling of individual truss web and/or chord members only. Additional temporary and permanent bracing is always required for stability and to prevent collapse with possible personal injury and property damage. For general guidance regarding the fabrication, storage, delivery, erection and bracing of trusses and truss systems, see **ANSI/TPH Quality Criteria and DSB-22** available from Truss Plate Institute (www.tpinst.org) and **BCSI Building Component Safety Information** available from the Structural Building Component Association (www.sbcacomponents.com)



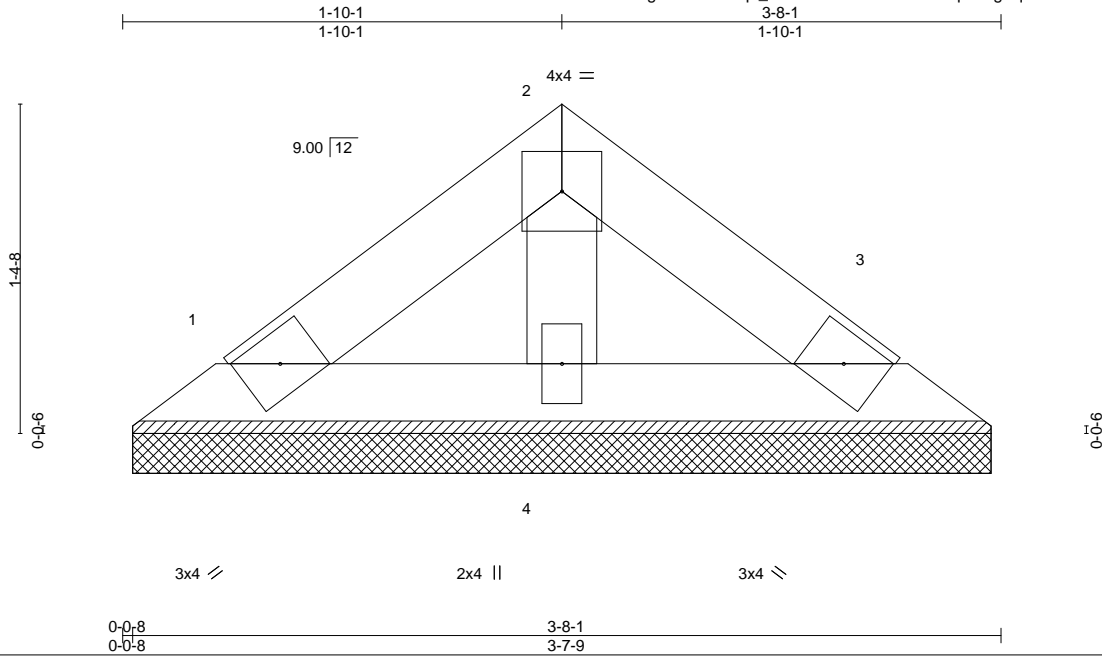
818 Soundside Road  
 Edenton, NC 27932

|                   |             |                      |          |          |                                     |
|-------------------|-------------|----------------------|----------|----------|-------------------------------------|
| Job<br>J0823-4514 | Truss<br>V9 | Truss Type<br>Valley | Qty<br>1 | Ply<br>1 | Lot 6 Turlington Acres<br>I59244216 |
|-------------------|-------------|----------------------|----------|----------|-------------------------------------|

Comtech, Inc. Fayetteville, NC - 28314,

8,430 s Jan 6 2022 MiTek Industries, Inc. Wed Jun 28 14:53:47 2023 Page 1

ID:DdNRY8gEWXv7oZcqu\_L6luzDuwl-RfC?PsB70Hq3NSgPqnL8w3ulTXbGKWrCDoi7J4zJC?f



Scale = 1:9.6

| LOADING (psf) | SPACING-             | CSI.     | DEFL.    | in (loc) | l/defl | L/d | PLATES        | GRIP     |
|---------------|----------------------|----------|----------|----------|--------|-----|---------------|----------|
| TCLL 20.0     | 2-0-0                | TC 0.02  | Vert(LL) | n/a      | -      | n/a | MT20          | 244/190  |
| TCDL 10.0     | Plate Grip DOL 1.15  | BC 0.01  | Vert(CT) | n/a      | -      | n/a |               |          |
| BCLL 0.0 *    | Lumber DOL 1.15      | WB 0.01  | Horz(CT) | 0.00     | 3      | n/a |               |          |
| BCDL 10.0     | Rep Stress Incr YES  | Matrix-P |          |          |        |     | Weight: 12 lb | FT = 20% |
|               | Code IRC2015/TPI2014 |          |          |          |        |     |               |          |

**LUMBER-**  
 TOP CHORD 2x4 SP No.1  
 BOT CHORD 2x4 SP No.1  
 OTHERS 2x4 SP No.2

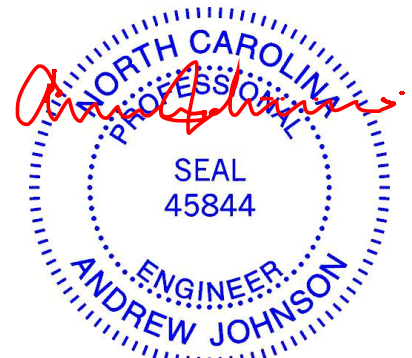
**BRACING-**  
 TOP CHORD Structural wood sheathing directly applied or 3-8-1 oc purlins.  
 BOT CHORD Rigid ceiling directly applied or 10-0-0 oc bracing.

**REACTIONS.** (size) 1=3-7-1, 3=3-7-1, 4=3-7-1  
 Max Horz 1=-25(LC 10)  
 Max Uplift 1=-10(LC 12), 3=-12(LC 13)  
 Max Grav 1=63(LC 1), 3=63(LC 1), 4=98(LC 1)

**FORCES.** (lb) - Max. Comp./Max. Ten. - All forces 250 (lb) or less except when shown.

**NOTES-**

- 1) Unbalanced roof live loads have been considered for this design.
- 2) Wind: ASCE 7-10; Vult=130mph Vasd=103mph; TC DL=6.0psf; BCDL=6.0psf; h=15ft; Cat. II; Exp C; Enclosed; MWFRS (envelope) and C-C Exterior(2) zone; C-C for members and forces & MWFRS for reactions shown; Lumber DOL=1.60 plate grip DOL=1.60
- 3) Gable requires continuous bottom chord bearing.
- 4) This truss has been designed for a 10.0 psf bottom chord live load nonconcurrent with any other live loads.
- 5) \* This truss has been designed for a live load of 30.0psf on the bottom chord in all areas where a rectangle 3-6-0 tall by 2-0-0 wide will fit between the bottom chord and any other members.
- 6) Provide mechanical connection (by others) of truss to bearing plate capable of withstanding 100 lb uplift at joint(s) 1, 3.



June 28, 2023

**WARNING - Verify design parameters and READ NOTES ON THIS AND INCLUDED MITEK REFERENCE PAGE MII-7473 rev. 1/2/2023 BEFORE USE.**

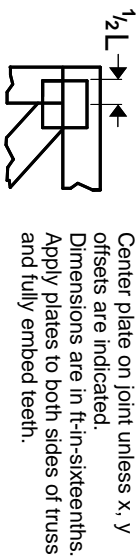
Design valid for use only with MiTek® connectors. This design is based only upon parameters shown, and is for an individual building component, not a truss system. Before use, the building designer must verify the applicability of design parameters and properly incorporate this design into the overall building design. Bracing indicated is to prevent buckling of individual truss web and/or chord members only. Additional temporary and permanent bracing is always required for stability and to prevent collapse with possible personal injury and property damage. For general guidance regarding the fabrication, storage, delivery, erection and bracing of trusses and truss systems, see **ANSI/TPH Quality Criteria and DSB-22** available from Truss Plate Institute (www.tpinst.org) and **BCSI Building Component Safety Information** available from the Structural Building Component Association (www.sbcacomponents.com)



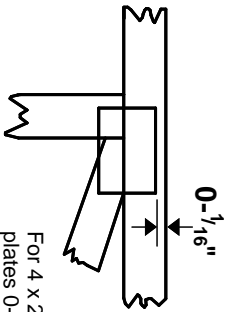
818 Soundside Road  
 Edenton, NC 27932

# Symbols

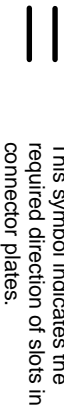
## PLATE LOCATION AND ORIENTATION



Center plate on joint unless x, y offsets are indicated. Dimensions are in ft-in-sixteenths. Apply plates to both sides of truss and fully embed teeth.



For 4 x 2 orientation, locate plates 0- 1/16\" from outside edge of truss.



This symbol indicates the required direction of slots in connector plates.

\* Plate location details available in MITek software or upon request.

## PLATE SIZE

4 X 4

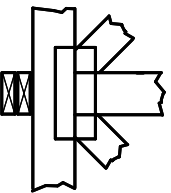
The first dimension is the plate width measured perpendicular to slots. Second dimension is the length parallel to slots.

## LATERAL BRACING LOCATION



Indicated by symbol shown and/or by text in the bracing section of the output. Use T or I bracing if indicated.

## BEARING



Indicates location where bearings (supports) occur. Icons vary but reaction section indicates joint number/letter where bearings occur. Min size shown is for crushing only.

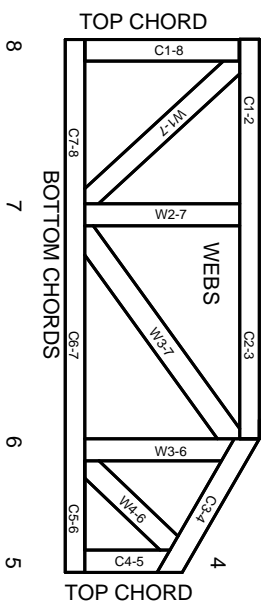
## Industry Standards:

ANSI/TP1: National Design Specification for Metal Plate Connected Wood Truss Construction.  
DSB-22: Design Standard for Bracing.  
BCSI: Building Component Safety Information, Guide to Good Practice for Handling, Installing, Restraining & Bracing of Metal Plate Connected Wood Trusses.

# Numbering System



1 TOP CHORDS  
2 Joint ID  
3 typ.



**JOINTS ARE GENERALLY NUMBERED/LETTERED CLOCKWISE AROUND THE TRUSS STARTING AT THE JOINT FARTHEST TO THE LEFT.**

**CHORDS AND WEBS ARE IDENTIFIED BY END JOINT NUMBERS/LETTERS.**

# Product Code Approvals

ICC-ES Reports:

ESR-1988, ESR-2362, ESR-2685, ESR-3282  
ESR-4722, ESL-1388

# Design General Notes

Trusses are designed for wind loads in the plane of the truss unless otherwise shown.

Lumber design values are in accordance with ANSI/TP1 section 6.3. These truss designs rely on Lumber values established by others.

© 2023 MITek® All Rights Reserved

**MITek**

ENGINEERING BY  
**TRENGO**  
A MITek Affiliate

MITek Engineering Reference Sheet: MIL-7473 rev. 1/2/2023

# General Safety Notes

## Failure to Follow Could Cause Property Damage or Personal Injury

1. Additional stability/bracing for truss system, e.g. diagonal or X-bracing, is always required. See BCSI.
2. Truss bracing must be designed by an engineer. For wide truss spacing, individual lateral braces themselves may require bracing, or alternative Tor I bracing should be considered.
3. Never exceed the design loading shown and never stack materials on inadequately braced trusses.
4. Provide copies of this truss design to the building designer, erection supervisor, property owner and all other interested parties.
5. Cut members to bear tightly against each other.
6. Place plates on each face of truss at each joint and embed fully. Knots and wane at joint locations are regulated by ANSI/TP1 1.
7. Design assumes trusses will be suitably protected from the environment in accord with ANSI/TP1 1.
8. Unless otherwise noted, moisture content of lumber shall not exceed 19% at time of fabrication.
9. Unless expressly noted, this design is not applicable for use with fire retardant, preservative treated, or green lumber.
10. Camber is a non-structural consideration and is the responsibility of truss fabricator. General practice is to camber for dead load deflection.
11. Plate type, size, orientation and location dimensions indicated are minimum plating requirements.
12. Lumber used shall be of the species and size, and in all respects, equal to or better than that specified.
13. Top chords must be sheathed or purlins provided at spacing indicated on design.
14. Bottom chords require lateral bracing at 10 ft. spacing, or less, if no ceiling is installed, unless otherwise noted.
15. Connections not shown are the responsibility of others.
16. Do not cut or alter truss member or plate without prior approval of an engineer.
17. Install and load vertically unless indicated otherwise.
18. Use of green or treated lumber may pose unacceptable environmental, health or performance risks. Consult with project engineer before use.
19. Review all portions of this design (front, back, words and pictures) before use. Reviewing pictures alone is not sufficient.
20. Design assumes manufacture in accordance with ANSI/TP1 1 Quality Criteria.
21. The design does not take into account any dynamic or other loads other than those expressly stated.